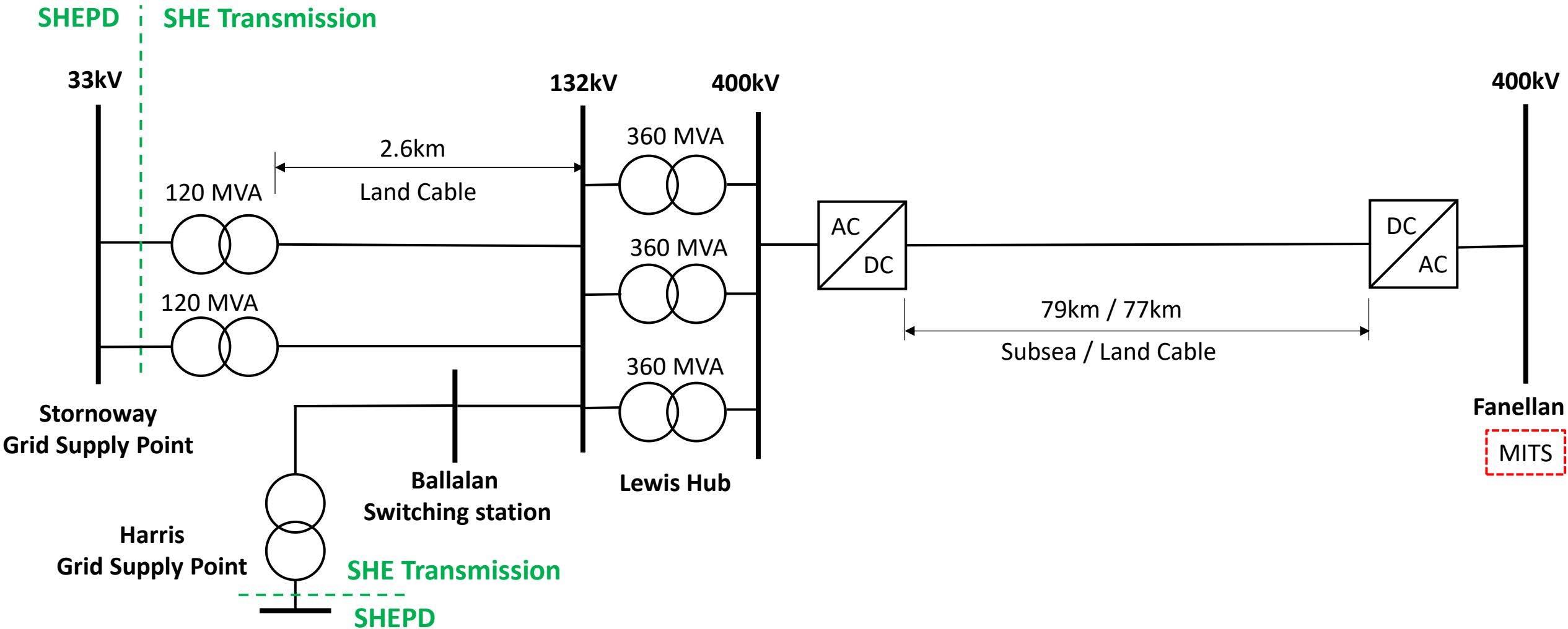


Western Isles - Beauly HVDC Link

CFD Unit Name¹:



¹Please use the same CFD Unit Name as provided on the CFD application form.

Note: Exact switchgear and bus-bar arrangements simplified.