



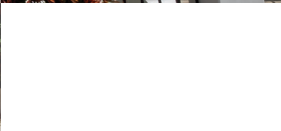
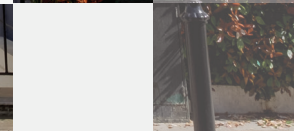
# Local Land Charges news

April 2026

The latest information about the Local Land Charges (LLC) Programme.

## In this edition

- Recent migrations to live service
- Live service quality ambition
- Behind the scenes – the Newcastle Law Society visit Durham office
- The Council of Property Search Organisations Annual Conference 2026
- Upcoming events
- Last chance to register for Land Data's Local Land Charges Training and Development event
- LLC Register cost savings
- Total number of searches
- Useful links



# Recent migrations to live service

**Three local authorities successfully migrated in March.**

**Camden Council**  
24 March 2026

**Darlington Borough Council**  
26 March 2026

**Broadland District Council**  
30 March 2026

Migrated local authorities are listed alphabetically on [GOV.UK](https://www.gov.uk)



[← back to contents](#)

# Live service quality ambition

We are committed to providing our customers with accurate, high-quality local land charges (LLC) data. The Service Performance and Integration (SPI) team are constantly identifying ways to uphold this commitment and continuously improve. In 2021 they began closely monitoring the quality of registrations. Since then, more robust quality controls have been introduced to both the migration and live service process.

Over the coming weeks, relationship managers will be contacting some local authorities (LAs) to discuss a review of their data. As part of this work, we will focus on:

## 1. Charges we asked LAs to review between 2021 and 2024

Before 2021, relationship managers were unable to monitor whether charges that had been identified for review were subsequently amended or cancelled. The Quality Response Tracker (QRT) was introduced in 2024 to allow the SPI team to track and log changes made to charges in the LLC Register. It is currently unclear whether charges flagged between 2021 and 2024 were correctly actioned by the LA. In the coming weeks, relationship managers will be contacting LAs to assess the status of these charges and provide support where required.

## 2. All data migrated before 2021

In line with our continuous learning and improvement, data quality checks within the migration process have significantly improved since the LLC Programme began. As a result, data from the first 17 LAs to migrate did not pass through the upgraded systems. Their diligence and care were instrumental in building the strong foundation of quality we see

in the LLC Register today, and we thank them for that. With their support and expertise, we now plan to discuss and agree how best to run their migrated data through the final stage of the enhanced, migration quality process. All relevant LAs will hear from their Relationship Manager about this.

If you have any questions at this stage, please contact your **Relationship Manager**.



# Behind the scenes – the Newcastle Law Society visit Durham office

On 24 March, several members of the Newcastle and North of England Law Society visited HM Land Registry's Durham office for an exclusive behind the scenes look at what the Local Land Charges (LLC) Programme does.

During the visit, delegates received an update on how the LLC Programme aligns with HMLR's wider Strategy 2025+, a walkthrough of the end-to-end data transformation process, a demonstration of the live LLC service and a chance to meet the team face-to-face. The LLC Innovation team also shared an insight into what is coming next, and HMLR's Account Management team explained what support is available to professional customers.

Lesley Fairclough, the President of the Newcastle and North of England Law Society said:

**"It was a pleasure to see behind the scenes at HM Land Registry in Durham. We witnessed the enormity of the LLC digitisation project, heard about future innovation and saw some of the key functionalities demonstrated. Everyone left with an increased knowledge and a better understanding of the important work undertaken and how this affects our day-to-day work."**



Relationship Managers demonstrating the live service



Delegates learning about the textual and spatial capture process

# The Council of Property Search Organisations Annual Conference 2026

On 14 May 2026, the **Council of Property Search Organisations (CoPSO)** will be hosting its annual conference in London, bringing together professionals from across the search industry. Representatives from the Local Land Charges Programme will attend to update delegates on local authority migration and the findings from the Local Authority Property Data Pilot.



This is a great opportunity to hear directly from us, connect with industry peers, and engage with the issues shaping the market. We hope to see you there.

[Further information and registration details can be found on the CoPSO website.](#)

CoPSO annual conference 2026 venue, Victory Services Club, London



# Upcoming events

Members of the Local Land Charges Programme will be attending a series of events in the coming months and we would love to see you there.

You can view the full list of events below.

Event	Date	Location
<u><a href="#">Propertymark East Midlands Regional Conference</a></u>	21 April 2026	Leicester
Residential Conveyancing and Commercial Property Conference 2026	22 April 2026	Manchester
<u><a href="#">A Conveyancing Law Update in Bristol</a></u>	22 April 2026	Bristol
A Conveyancing Law Update in Exeter	23 April 2026	Exeter
<u><a href="#">Building Societies Annual Conference 2026</a></u>	28 - 29 April 2026	Edinburgh
IQ Legal Residential Conveyancing and Commercial Property Conference	12 May 2026	Liverpool
<u><a href="#">The National GovTech Show and Exhibition 2026</a></u>	13 May 2026	London
A Conveyancing Law Update	14 May 2026	London
<u><a href="#">CoPSO Annual Conference</a></u>	14 May 2026	London
Move Reports 2026 Conveyancing Property Conference	20 May 2026	Birmingham
<u><a href="#">Propertymark One</a></u>	12 June 2026	London
Housing 2026	23 – 25 June 2026	Manchester
<u><a href="#">Annual Mortgage Conference 2026</a></u>	8 July 2026	London
Local Government Association Conference	7 – 9 July 2026	Bournemouth

# Last chance to register for Land Data's Local Land Charges Training and Development event

**Don't miss Land Data's Local Land Charges (LLC) Training & Development event on 22–23 April 2026.**

**The virtual conference offers LLC professionals an opportunity to hear from colleagues across central and local government and industry, connect with peers, and stay up to date with changes affecting LLC data.**

[Register now](#)

[← back to contents](#)

This year's programme offers a range of sessions including:

- the 2026 Land Data Excellence Awards, including the Best Performing Migrated Local Authority Award.
- insights from the Local Authority Property Data Pilot.
- an update on the LLC migration programme.
- the role of the Mining Remediation Authority in planning decisions.
- an update on the development of NextGenNLIS.
- training on the Community Infrastructure Levy (CIL) and CON290.
- a deep dive into highway boundaries.

[Visit Land Data's website](#) for more information including session timings and speakers.

**LLC 2026**

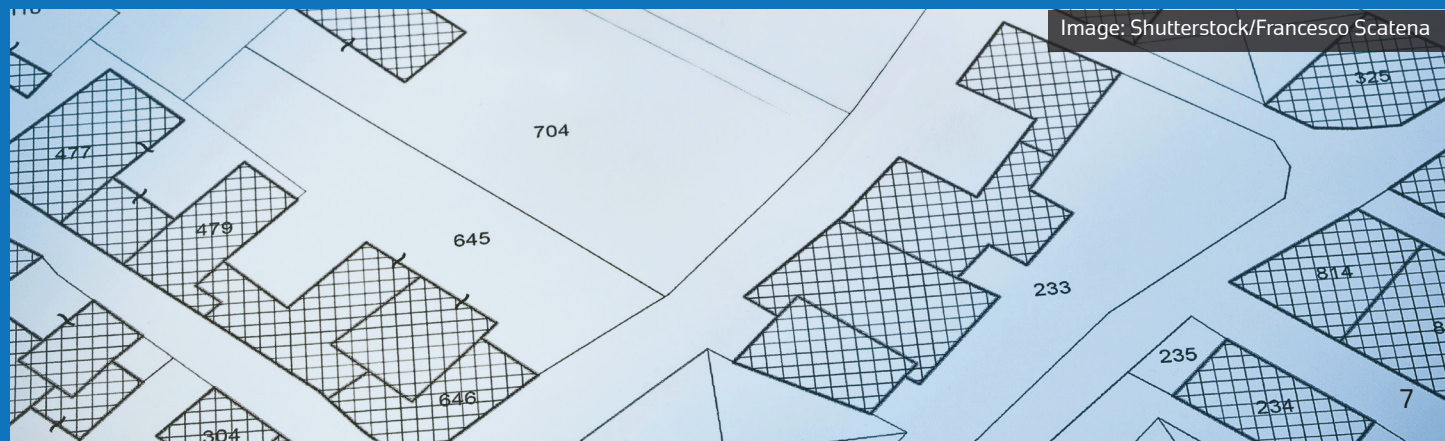


Image: Shutterstock/Francesco Scatena

# The national LLC Register cost savings

Since it launched in 2018, the LLC Register has

- saved customers over **£4.3 million** in search fees
- saved users an average of **13.6 days** to obtain an LLC search result
- migrated more than **9.1 million** charges from **146 local authorities** to the register.



Figures accurate up to the end of March 2026

[← back to contents](#)

# The national LLC Register – total number of searches

Since July 2018,  
we have recorded

**408,770** official  
searches

**1,864,697** personal (free)  
searches

**2,273,467** total searches  
of the register

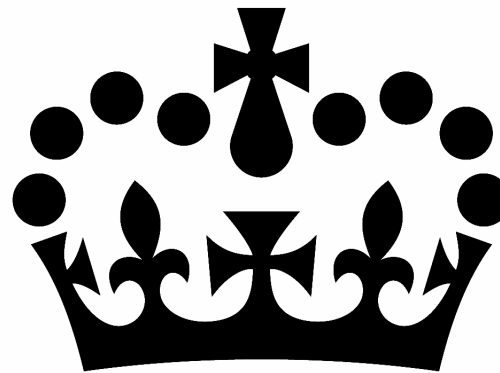
Search figures accurate up to the end of March 2026

# Useful links

- We have numerous [case studies](#) with top tips from previously migrated local authorities.
- The [Local Land Charges Programme](#) page has a list of local authorities who have migrated their data to the LLC Register and further details about the programme.
- [Migrating your local land charges service](#) provides all the migration information local authorities need.
- [Practice guide 79: Local Land Charges](#) explains how to change the register, obtain searches and the compensation protocol for LAs in live service.
- To access the LLC Register, you can [search for local land charges on land and property](#). Business customers can also access it through their portal accounts or Business Gateway.

The [local land charges news](#) page will keep you updated on:

- important updates
- monthly newsletters
- case studies
- blogs
- webinars



GOV.UK