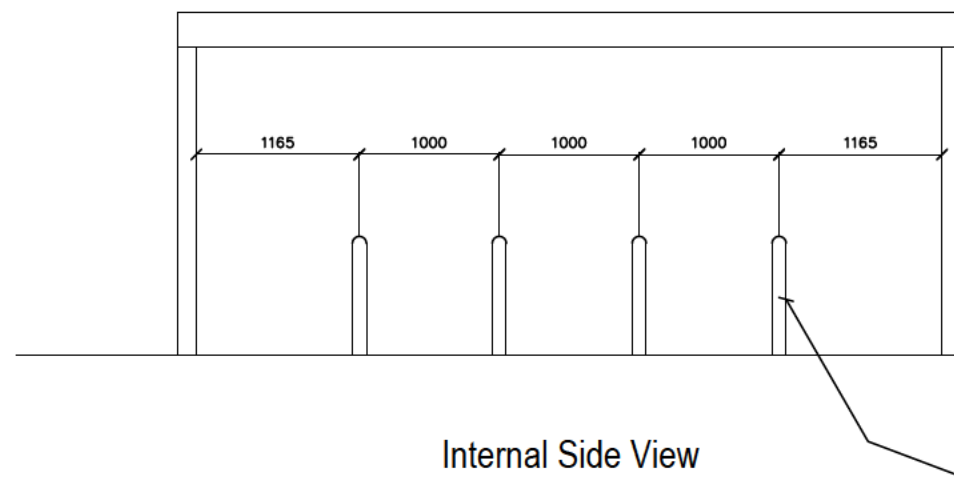
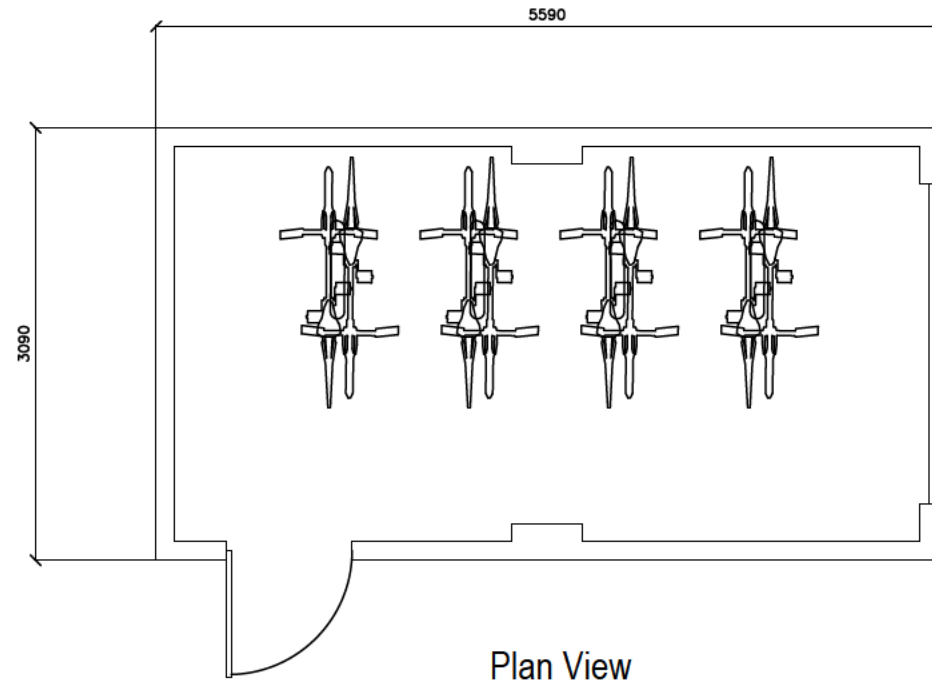
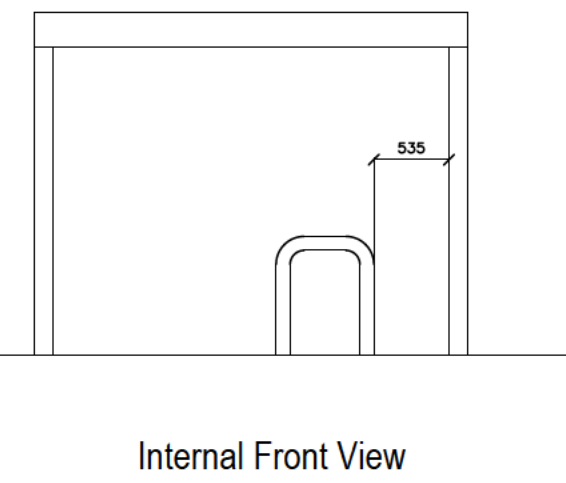


NOTES:- RESPONSIBILITY IS NOT ACCEPTED FOR ERRORS MADE BY OTHERS IN SCALING FROM THIS DRAWING. ALL CONSTRUCTION INFORMATION SHOULD BE TAKEN FROM FIGURED DIMENSIONS ONLY. ALL DIMENSIONS ARE IN MILLIMETERS



No 4 Sheffield Stands



Rev:	Description of Changes:	Drawn: Date:	Client:	Postcode: Drawing Title:
01	No 4 Sheffield stands shown	D. H. 22-10-24	Mr. D. Brwn	BS42QW Garage / Bike store details
1:50 @ A3			Address:	Date: Drawing No: 23/HR/B/15/P
			23 Hillsborough Road, Brslington	Oc2020 Drawn: D.H I Option: - Rev: 01