

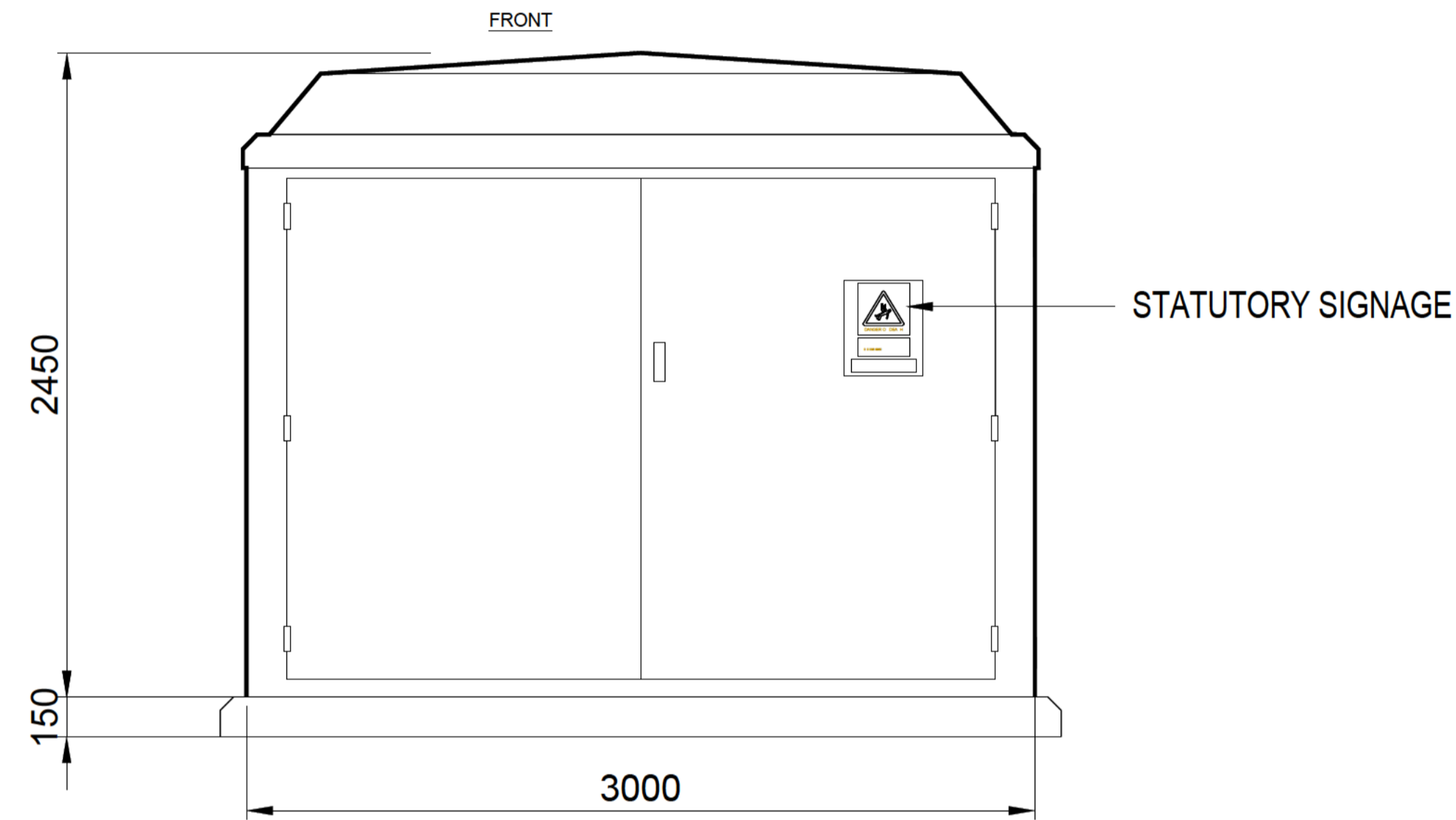
**DRAWING NOTES**

**COPYRIGHT ©**  
 This drawing and the details herein are the copyright of MBH Design Studio Ltd. and must not be reproduced, altered or passed to any third party without prior written consent.

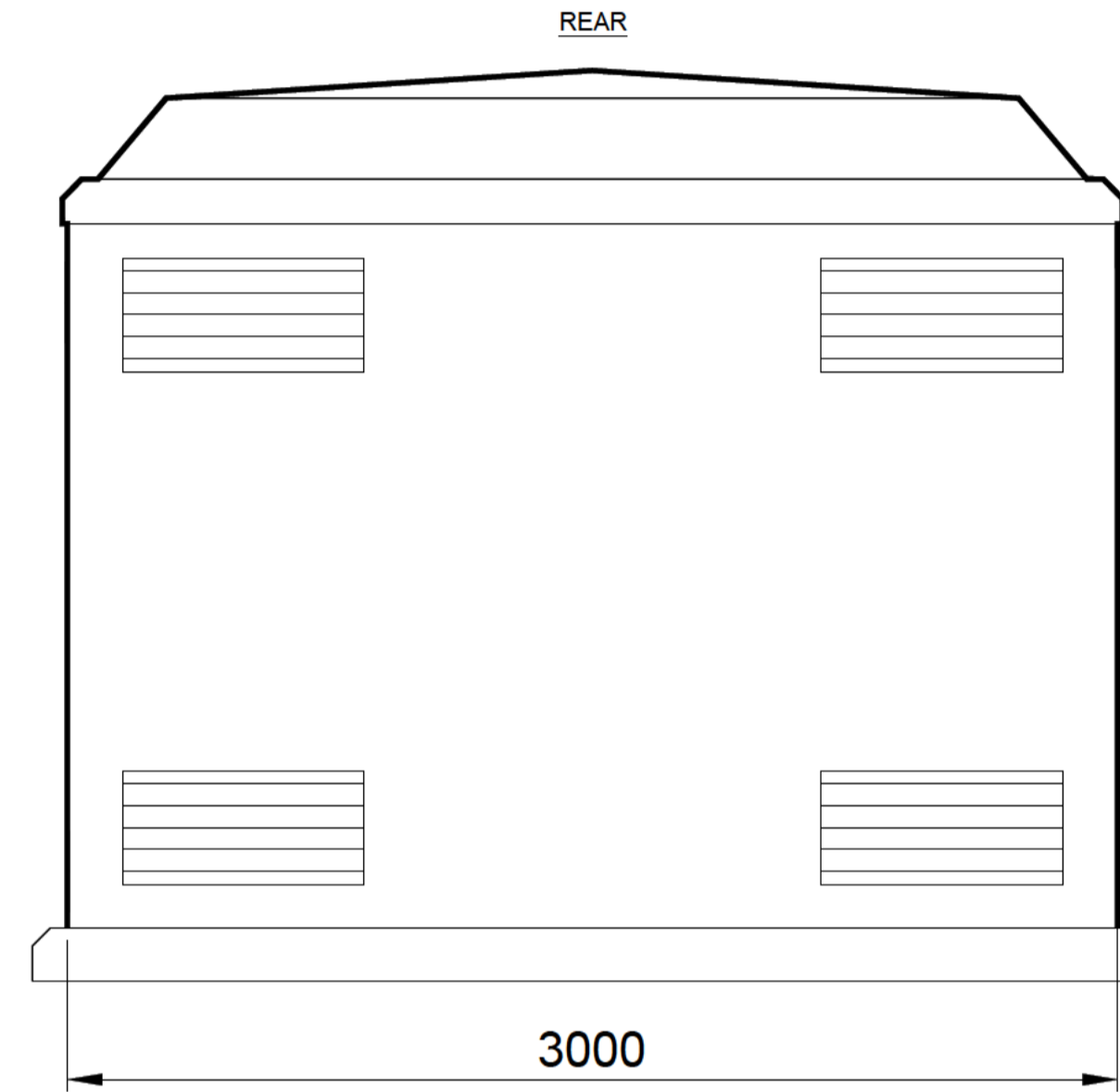
This drawing has been produced for the project listed below, is submitted in support of this application to the Local Planning Authority and is not intended for use by any other person or for any other purpose.

Every effort has been made to ensure the accuracy of these drawings, however MBH Design Studio Ltd. accept no responsibility for any discrepancies arising from the reuse of survey information and preliminary drawings commissioned by the Applicant from others.

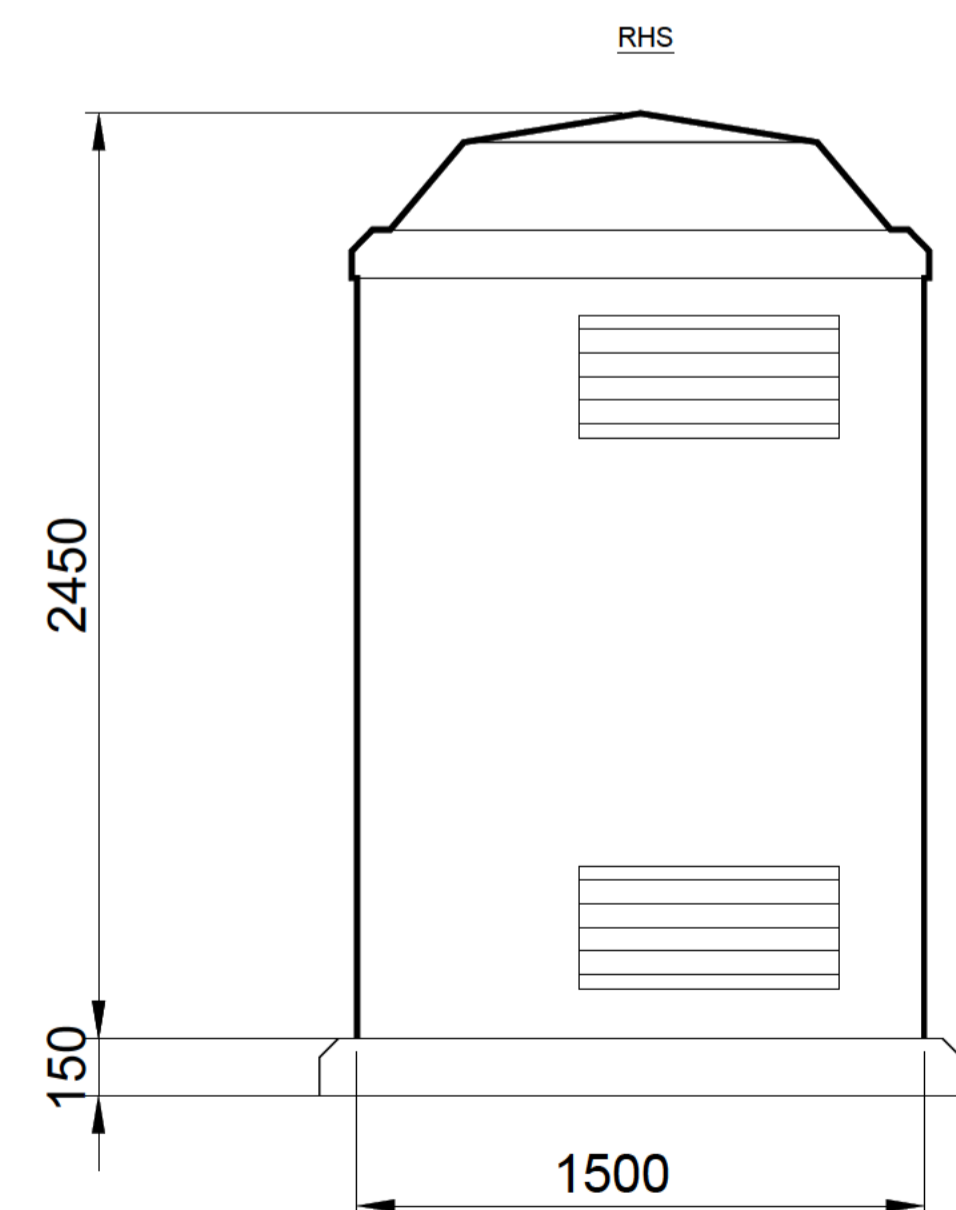
**TYPICAL LV ENCLOSURE**  
 ENVICO ENG TR14 GRP  
 3000 w x 1500 d x 2450 h



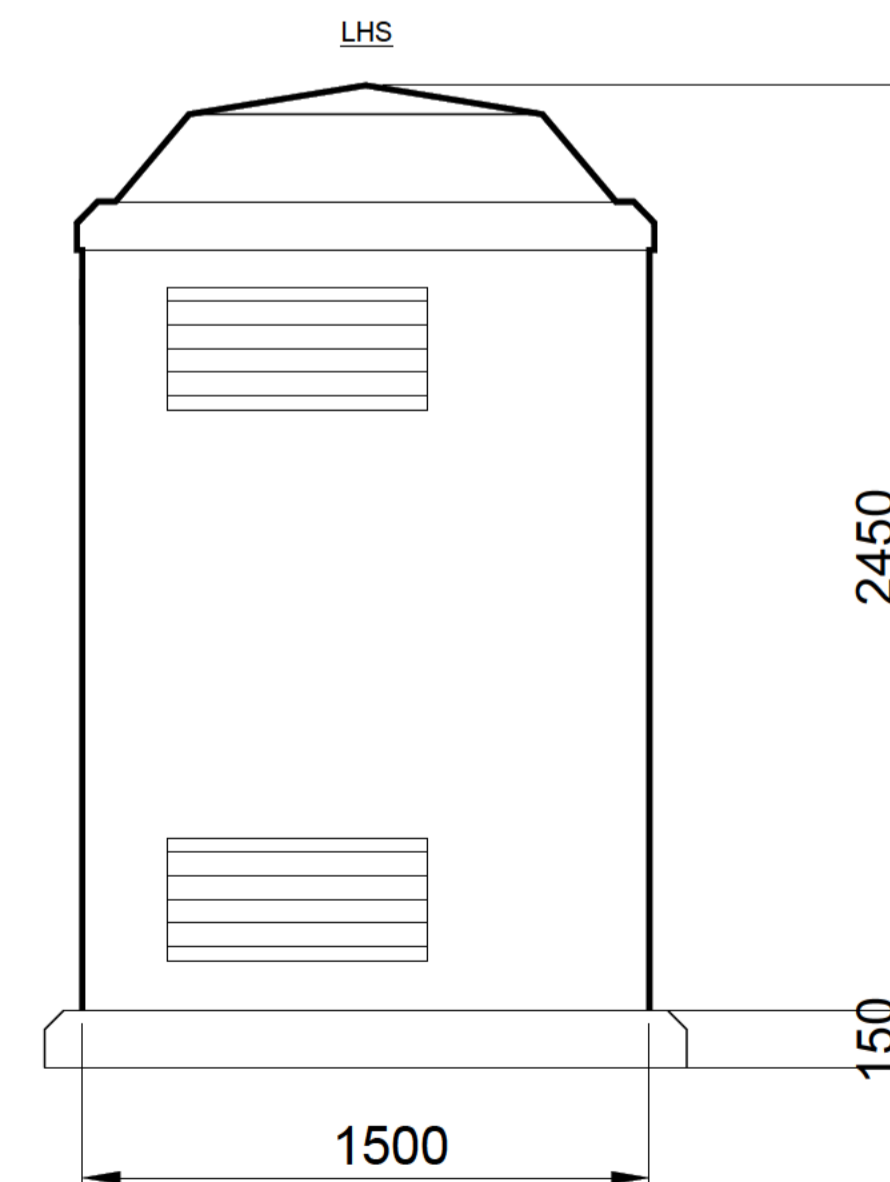
**LV Enclosure**  
 Elevation A



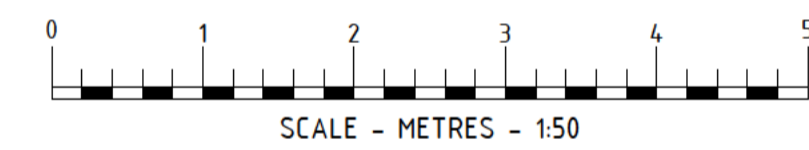
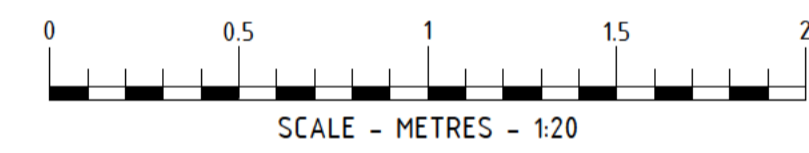
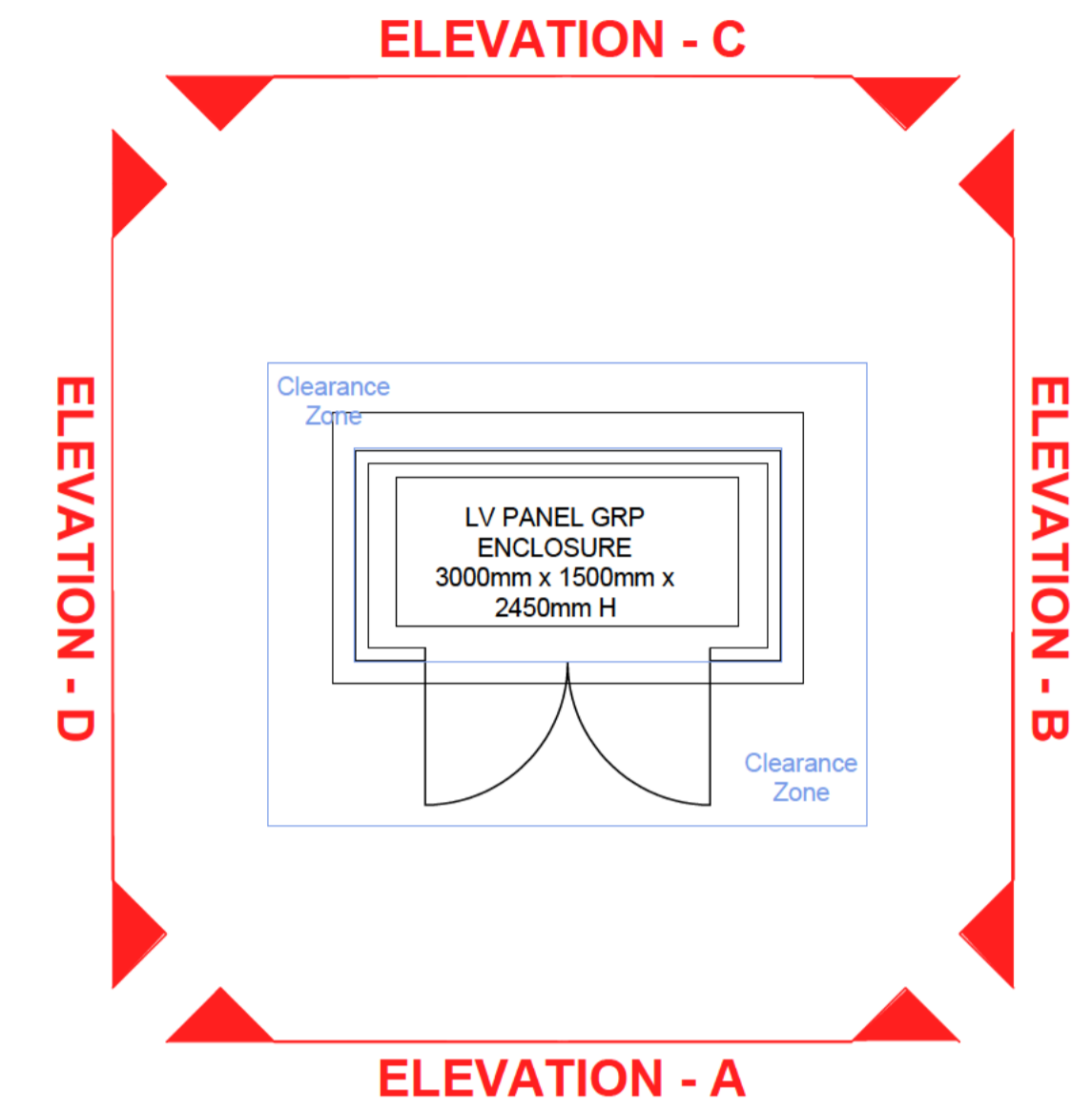
**LV Enclosure**  
 Elevation B



**LV Enclosure**  
 Elevation C



**LV Enclosure**  
 Elevation D



REV	DATE	DESCRIPTION	DRAWN/CHECKED
REVISION NOTES			

**PLANNING**



MBH Design Studio Ltd.  
 Rosemount House, Rosemount Avenue, West Byfleet, Surrey, KT14 6LB  
 t: 01932 352 727 f: 01932 351 545



**PROJECT**  
 FS144 MFG REDLAND SERVICE STATION  
 REDLAND SERVICE STATION  
 HAMPTON ROAD, REDLAND  
 BRISTOL BS6 6JA

**DRAWING TITLE**  
 LV PANEL ELEVATIONS

DRAWN BY	DATE	SCALE	PAPER SIZE
WG	17.10.22	1:20/50	A1
CHECKED BY	DRAWING NUMBER	REV.	
JN	13664-204-144		