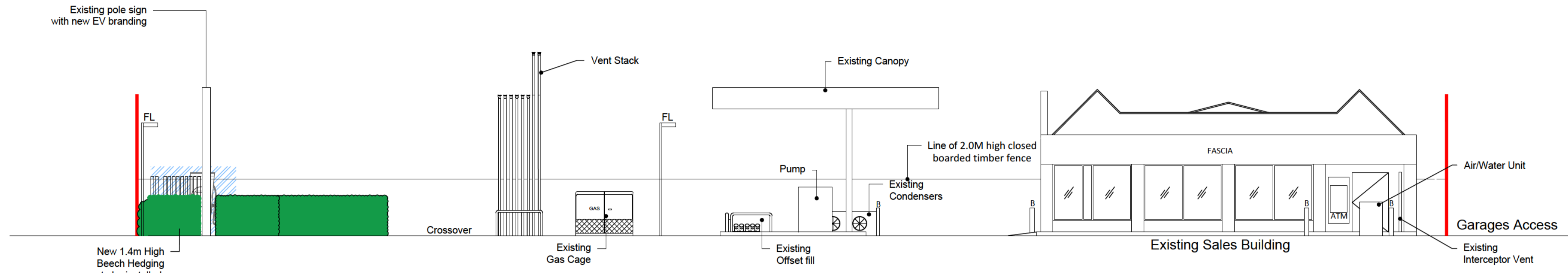


DRAWING NOTES

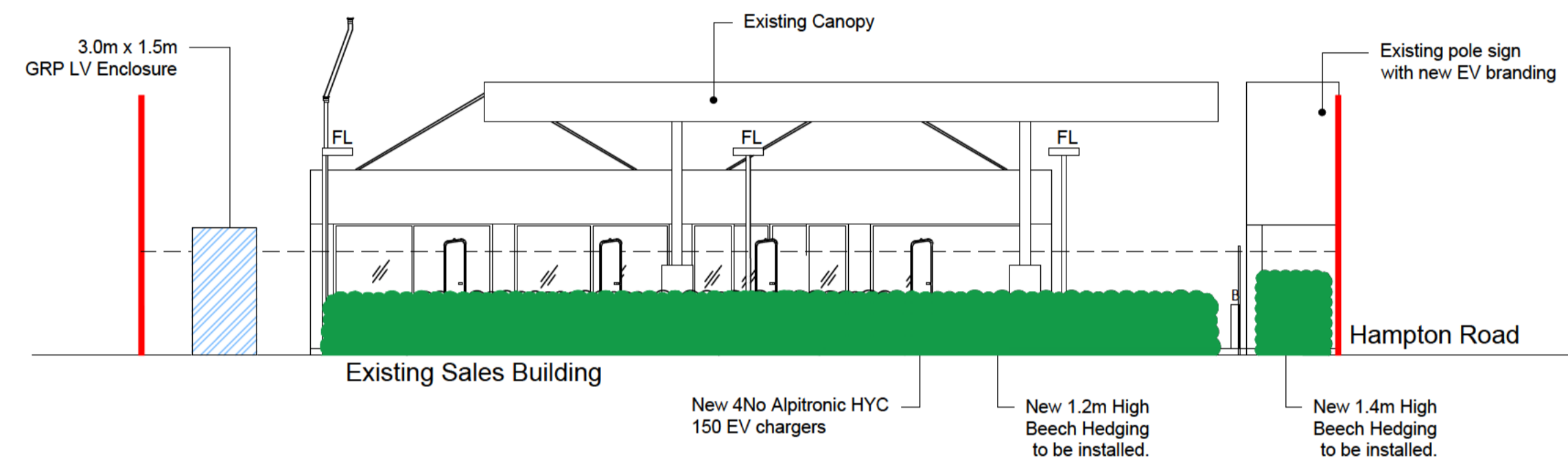
COPYRIGHT ©
This drawing and the details herein are the copyright of MBH Design Studio Ltd. and must not be reproduced, altered or passed to any third party without prior written consent.

This drawing has been produced for the project listed below, is submitted in support of this application to the Local Planning Authority and is not intended for use by any other person or for any other purpose.

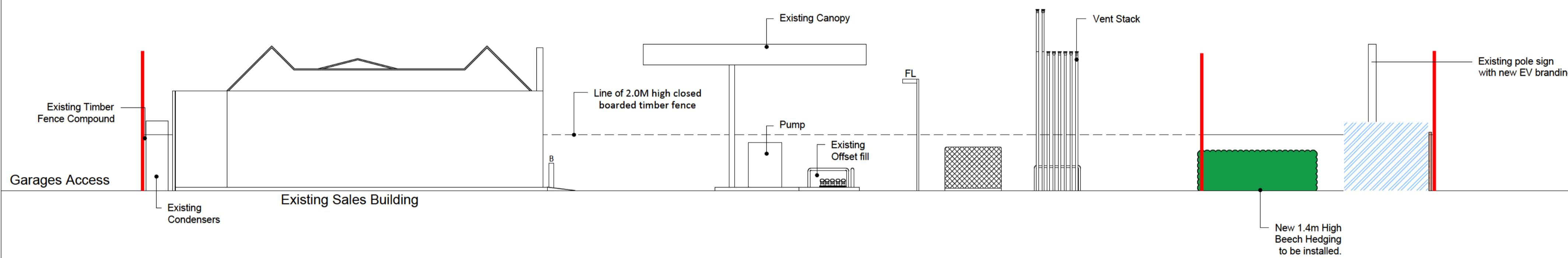
Every effort has been made to ensure the accuracy of these drawings, however MBH Design Studio Ltd. accept no responsibility for any discrepancies arising from the reuse of survey information and preliminary drawings commissioned by the Applicant from others.



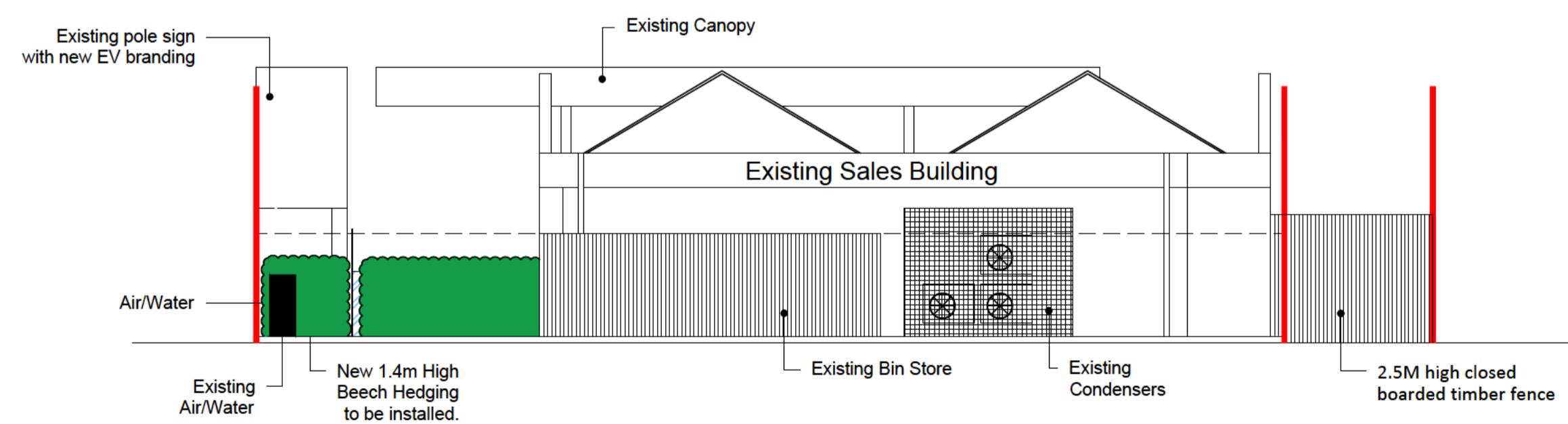
Proposed Elevation A



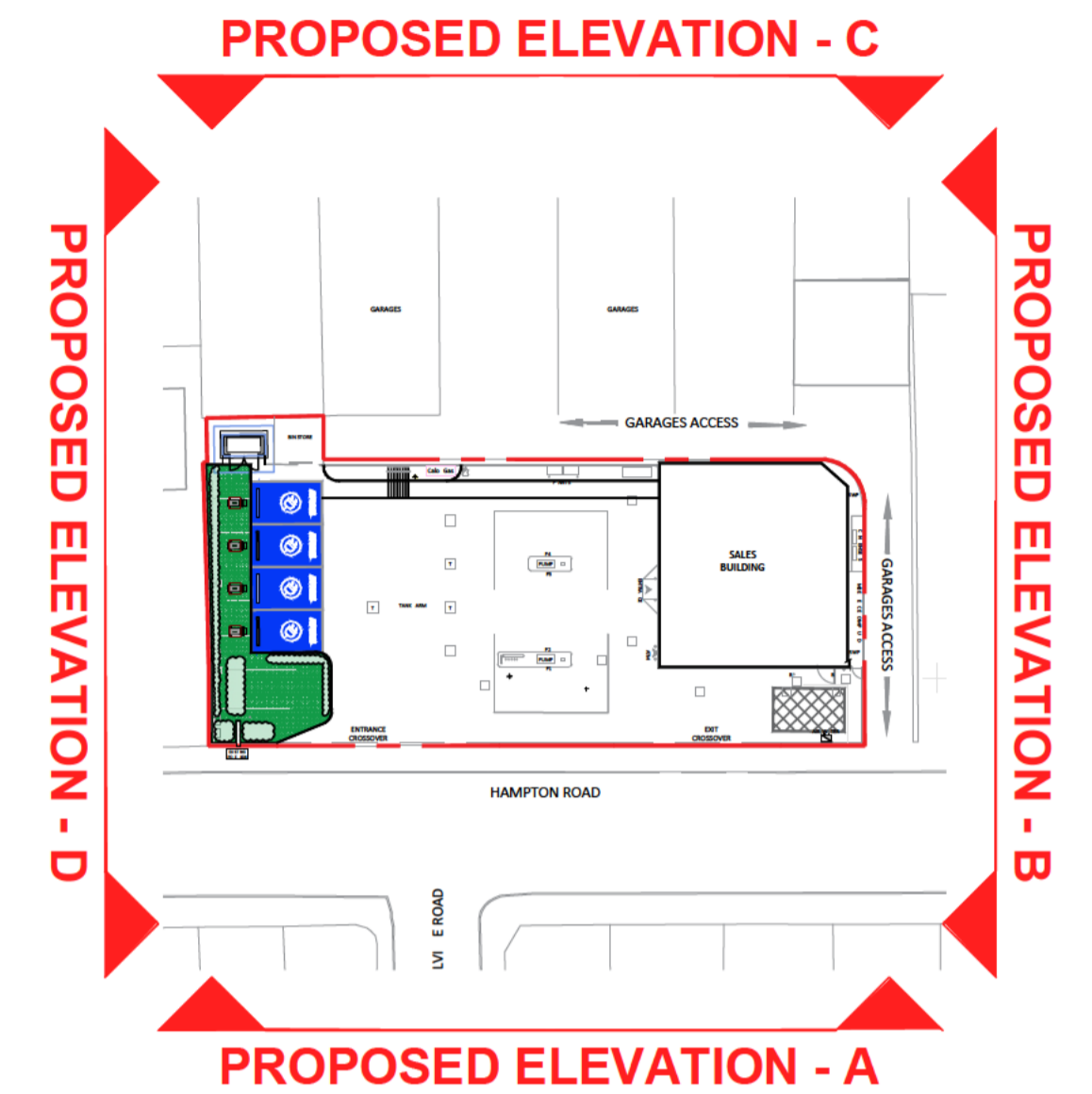
Proposed Elevation B



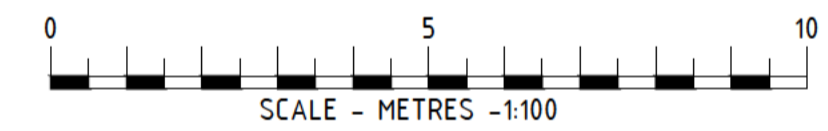
Proposed Elevation C



Proposed Elevation D



Substation to be provided by DNO under Permitted Development



REV	DATE	DESCRIPTION	DRAWN/CHECKED
B	11.10.23	REVISED - SUB REMOVED	WG/JR
A	06.10.23	REVISED - FENCED REMOVED	JN/JN

PLANNING



MBH Design Studio Ltd.
Rosemount House, Rosemount Avenue, West Byfleet, Surrey, KT14 6LB
t: 01932 352 727 f: 01932 351 545



PROJECT
FS144 MFG REDLAND SERVICE STATION
REDLAND SERVICE STATION
HAMPTON ROAD, REDLAND
BRISTOL BS6 6JA

DRAWING TITLE
PROPOSED ELEVATIONS

DRAWN BY	DATE	SCALE	PAPER SIZE
WG	17.10.22	1:100	A1
CHECKED BY	DRAWING NUMBER	REV.	
JN	13664-205-144	B	