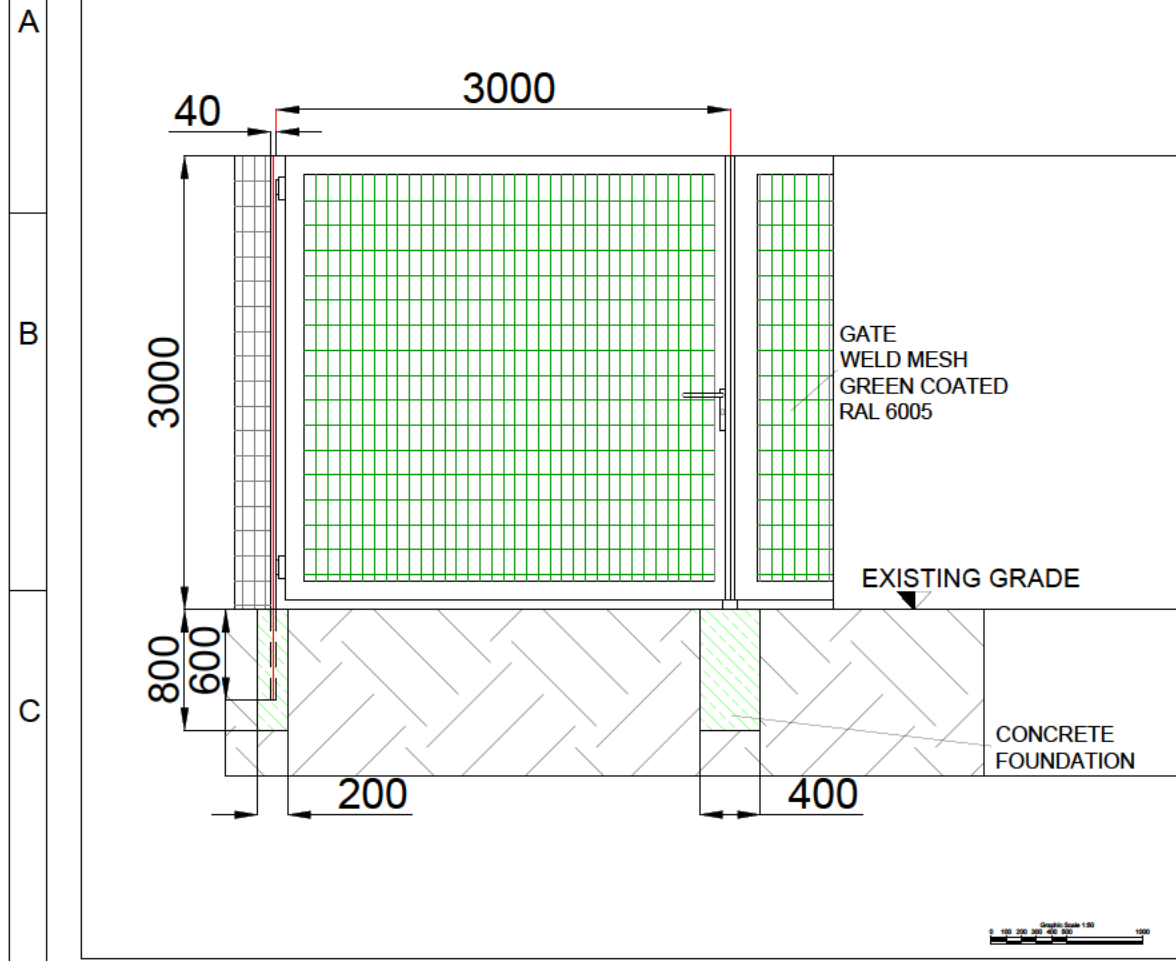
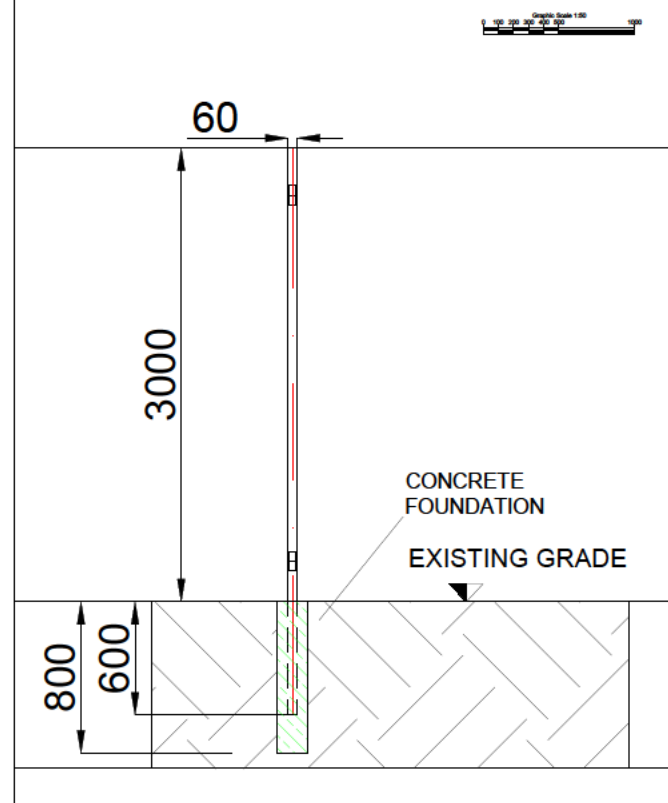


GATE, FENCE, CONSTRUCTION ROAD, CCTV CAMERA AND SATELLITE DISH DETAILS

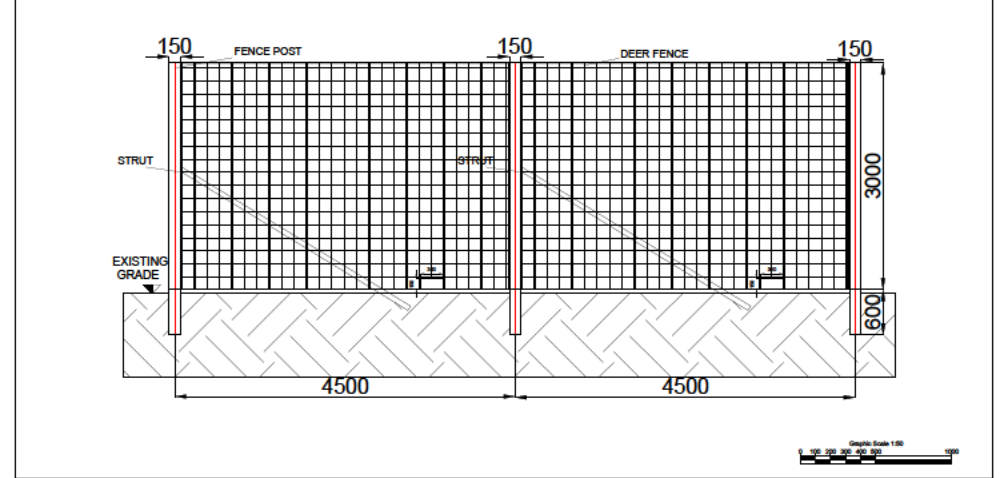
GATE - FRONT VIEW - SCALE 1:50



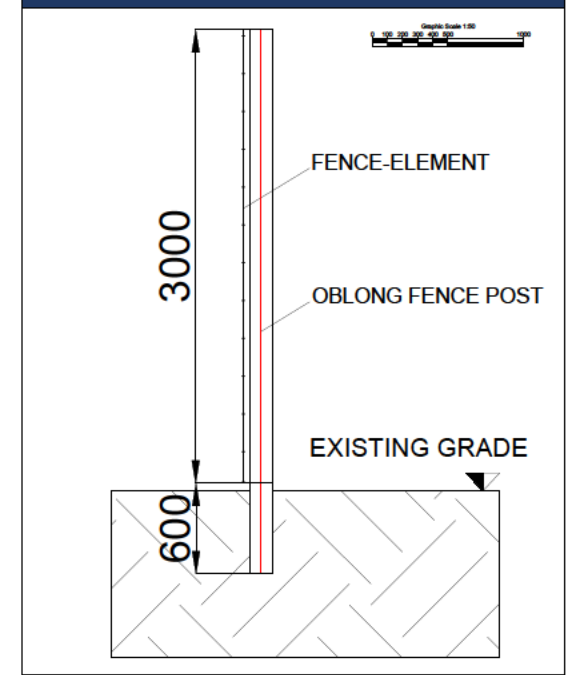
GATE - SECTION VIEW - SCALE 1:50



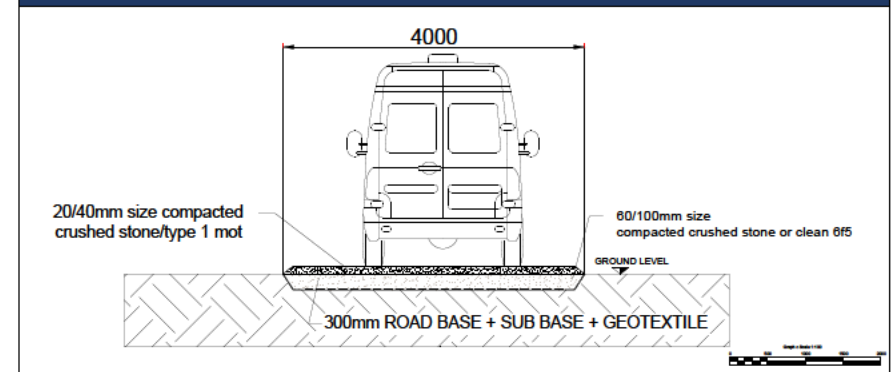
FENCE - FRONT VIEW - SCALE 1:50



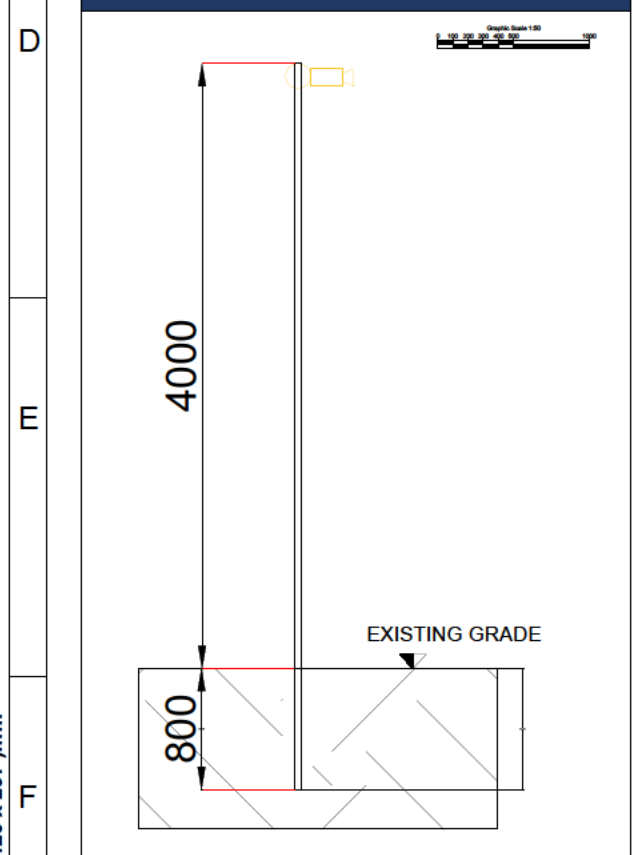
FENCE - SECTION VIEW - SCALE 1:50



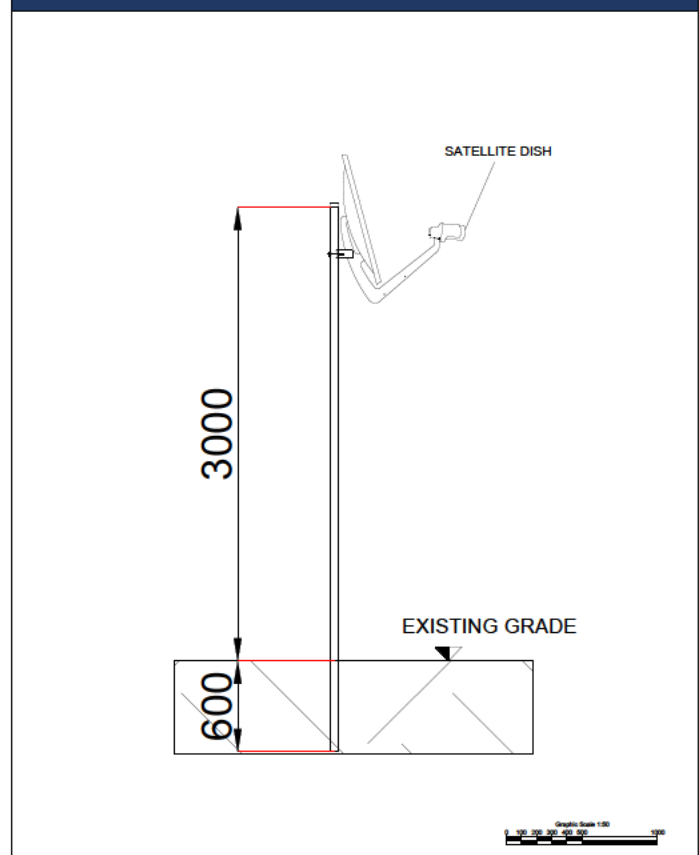
CONSTRUCTION ROADS - SCALE 1:100



CAMERA - ELEVATION VIEW - SCALE 1:50



SATELLITE DISH - ELEVATION VIEW - SCALE 1:50



R1	SB	SD	JR	Client name Changed	08.04.2024
R0	SB	SD	JR	First Issue	02.04.2024
REV	DRAWN	REVIEWED	APPROVED	CHANGE	DATE

DRAWING TITLE: **GATE, FENCE, CONSTRUCTION ROAD, CCTV CAMERA & SATELLITE DISH DETAILS** DRAWING NUMBER: **PL.008**

PROJECT NAME & ADDRESS: **Uttlesford** CUSTOMER: **Endurance Energy Wickham Hall Limited**

GreenEnco
3 Allington Road, Harrow
London, HA2 6AJ

PLANNING

SCALE: 1:50 & 1:100	FORMAT: DIN A3	SHEET: 1/1
------------------------	-------------------	---------------

* All dimensions shown are in millimeters and are approximate *

A3 - (420 x 297) mm