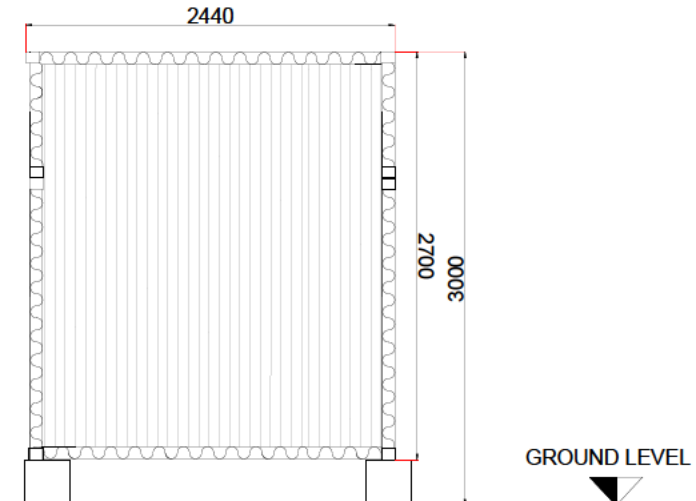
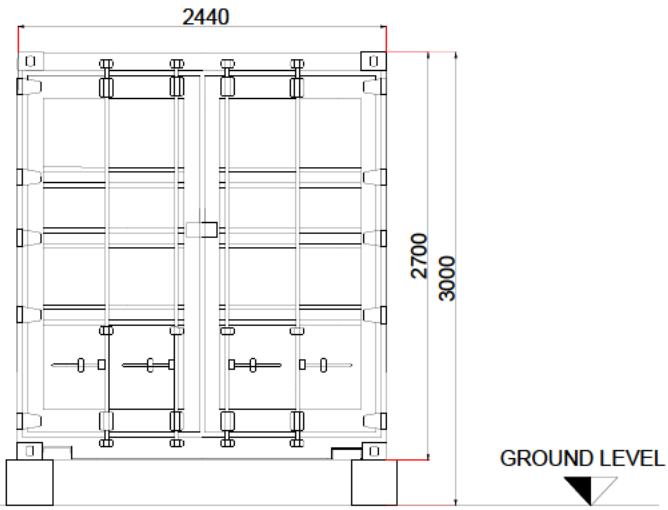


CONTROL & MONITORING BUILDING  
SCALE 1:50

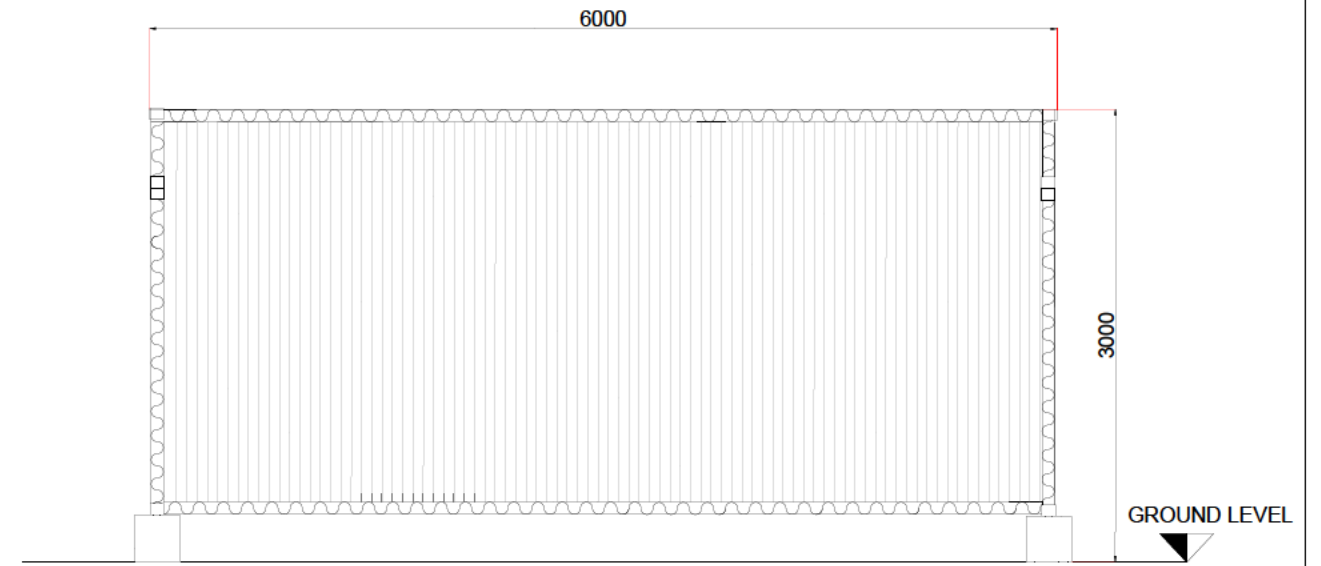
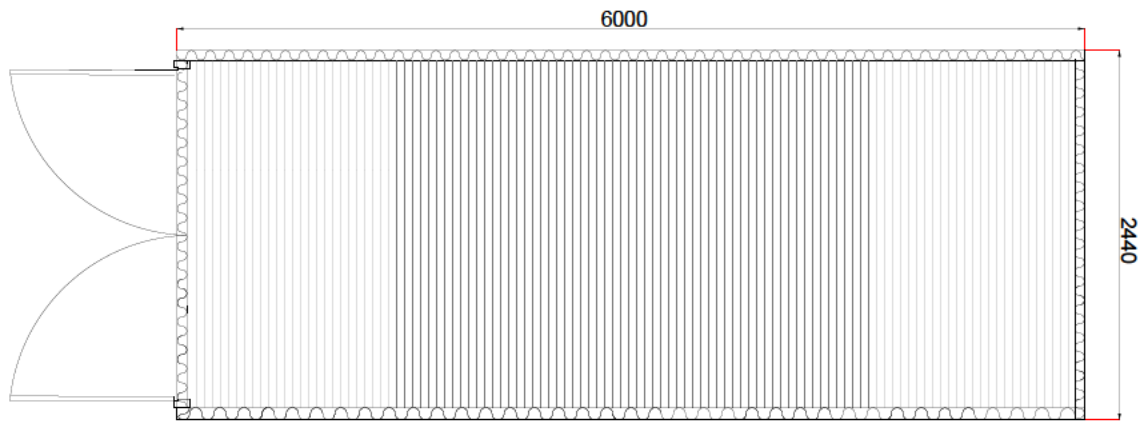
FRONT VIEW - SCALE 1:50

BACK VIEW - SCALE 1:50



TOP VIEW - SCALE 1:50

SIDE VIEWS - SCALE 1:50



\* All dimensions shown are in millimeters and are approximate \*

REV	DRAWN	REVIEWED	APPROVED	CHANGE	DATE
R1	SB	SD	JR	Client name changed	08.04.2024
R0	SB	SD	JR	First Issue	02.04.2024

**GreenEnco**  
3 Allington Road, Harrow  
London, HA2 6AJ

DRAWING TITLE:  
**CONTROL & MONITORING BUILDING**

PROJECT NAME & ADDRESS:  
**Uttlesford**

CUSTOMER:  
**Endurance Energy Wickham Hall Limited**

DRAWING NUMBER:  
**PL.021**

STATUS:  
**PLANNING**

SCALE:  
**1:50**

FORMAT:  
**DIN A3**

SHEET:  
**1/1**

A3 - (420 x 297) mm