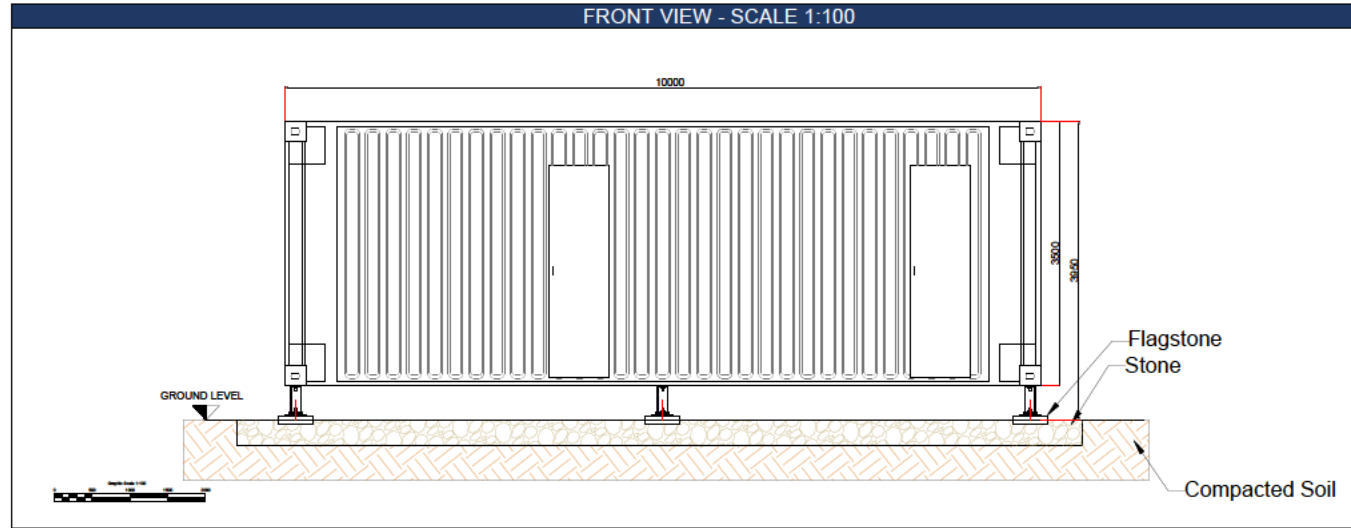
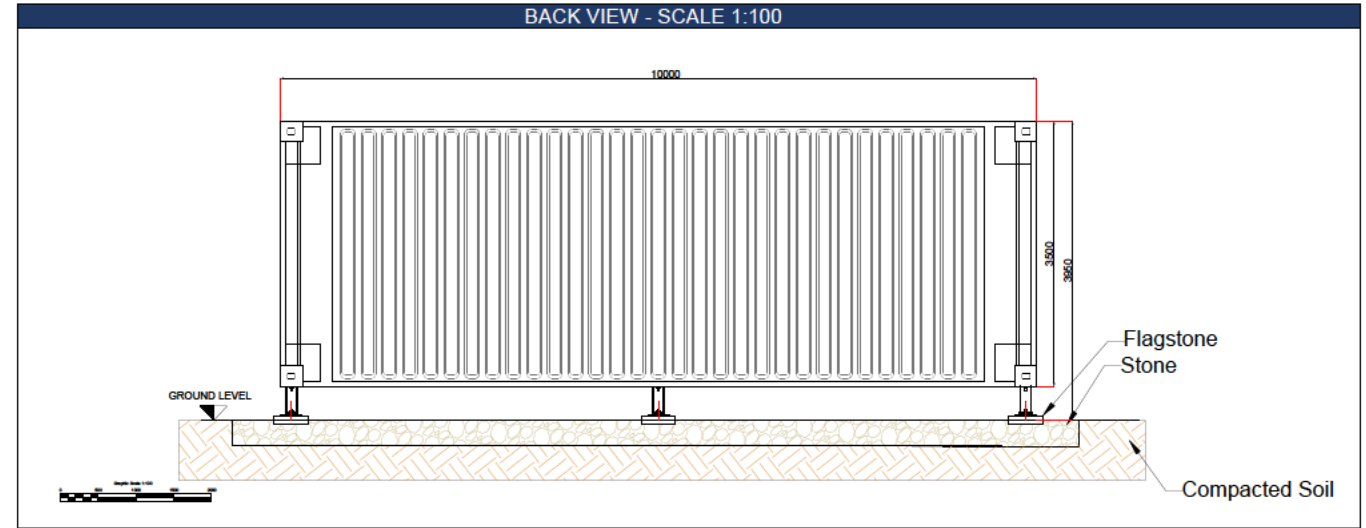


CUSTOMER SUBSTATION
SCALE 1:100

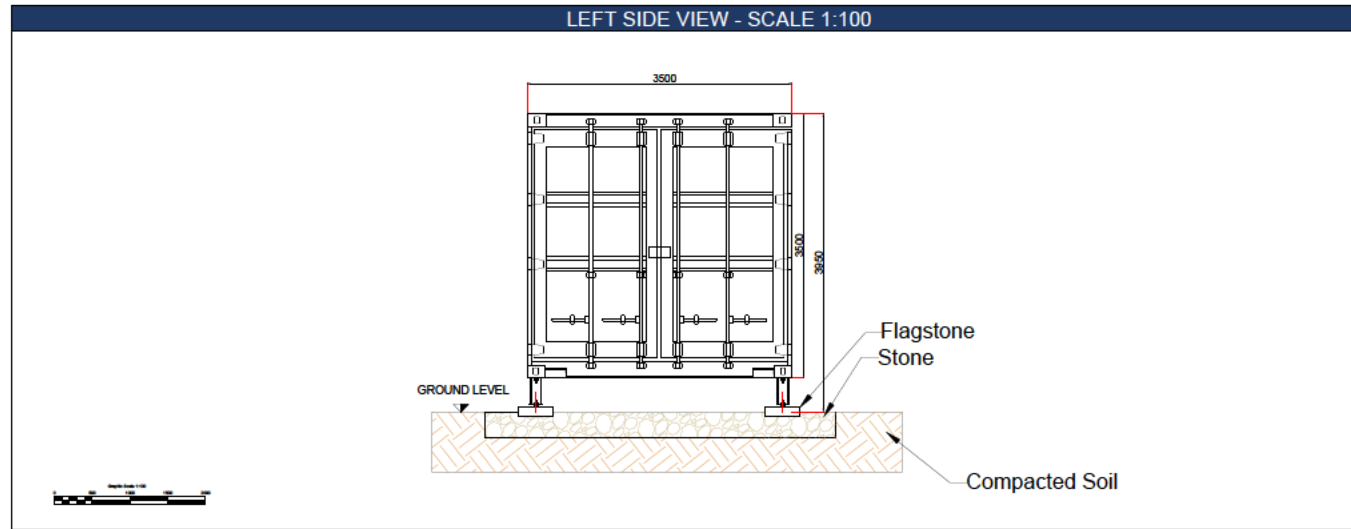
FRONT VIEW - SCALE 1:100



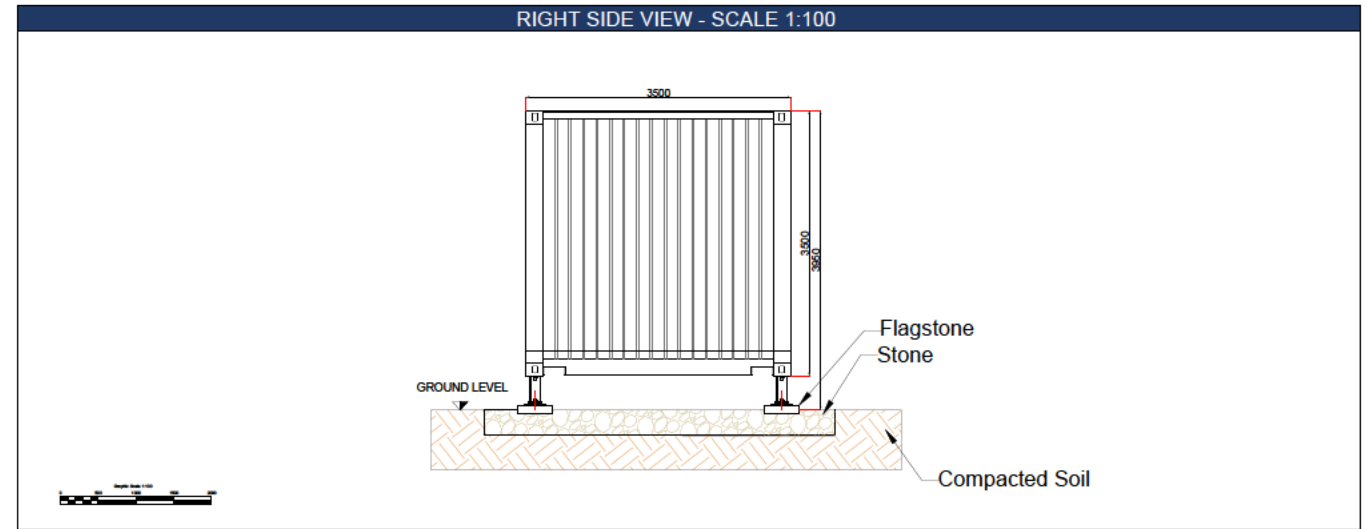
BACK VIEW - SCALE 1:100



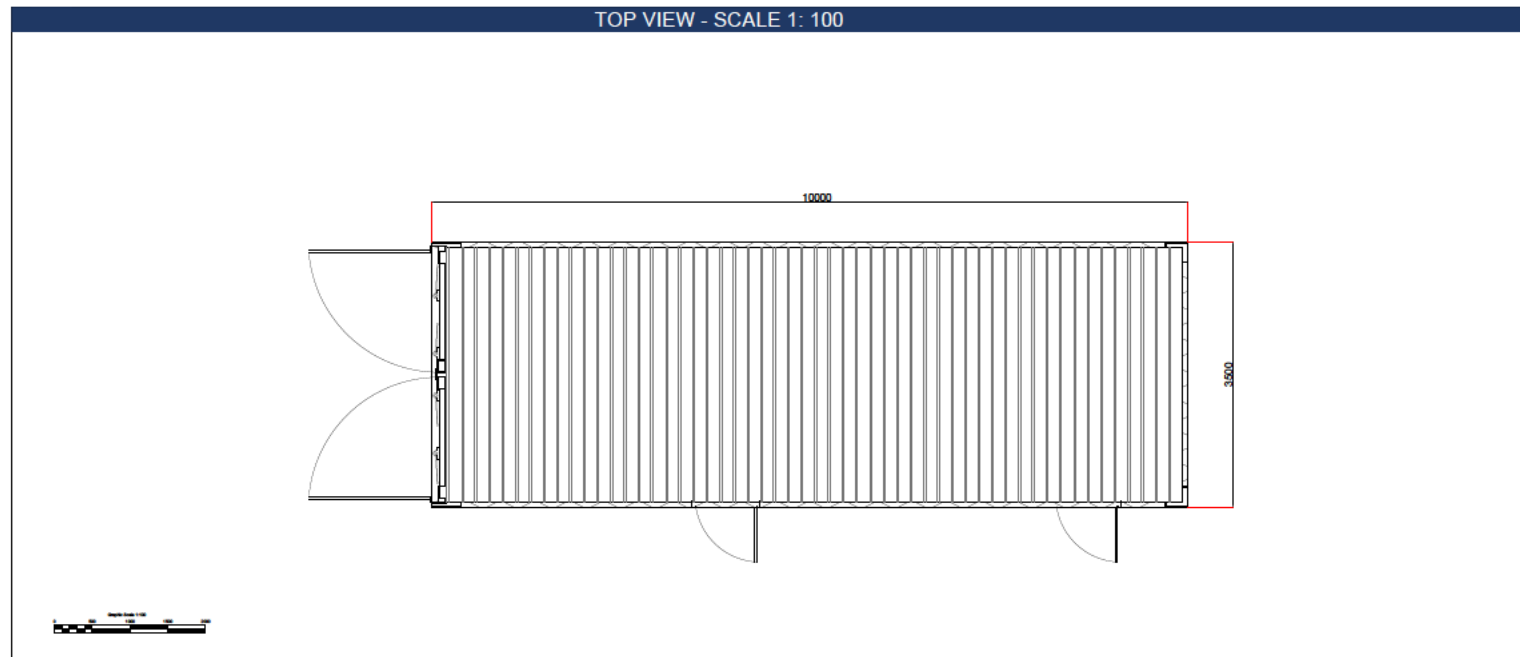
LEFT SIDE VIEW - SCALE 1:100



RIGHT SIDE VIEW - SCALE 1:100



TOP VIEW - SCALE 1:100



* All dimensions shown are in millimeters and are approximate *

A3 - (420 x 297) mm

R1	SB	SD	JR
R0	AM	SD	JR
REV	DRAWN	REVIEWED	APPROVED

Client name Changed
First Issue

08.04.2024
26.03.2024

CHANGE

DATE

GreenEnco

3 Allington Road, Harrow
London, HA2 6AJ

DRAWING TITLE:

Customer Substation

CUSTOMER:

Endurance Energy Wickham Hall Limited

DRAWING NUMBER:

PL.006

SCALE:

1:100

FORMAT:

DIN A3

SHEET:

1/1

STATUS:

PLANNING