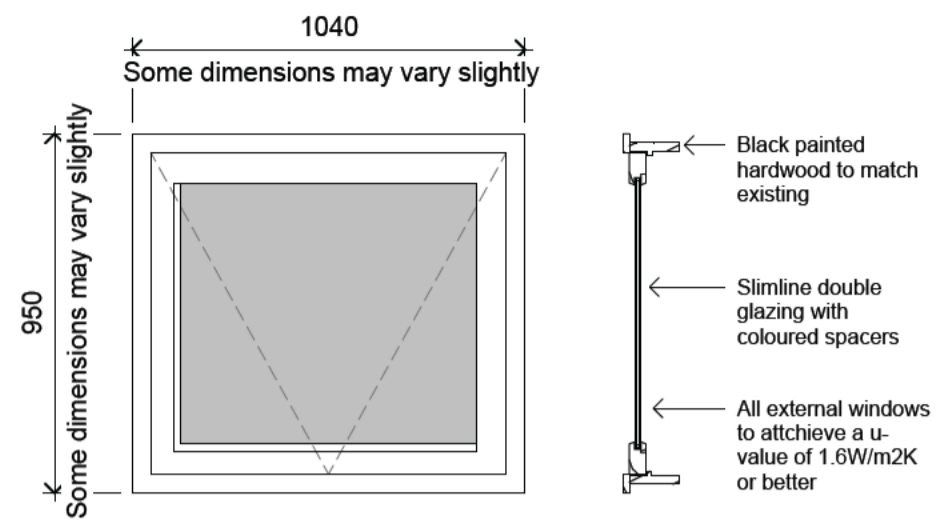
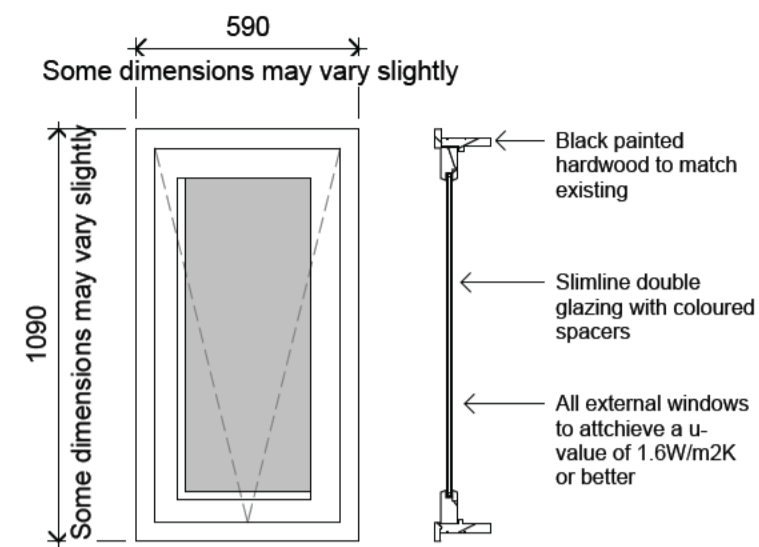


Window and Doors
TYPE A



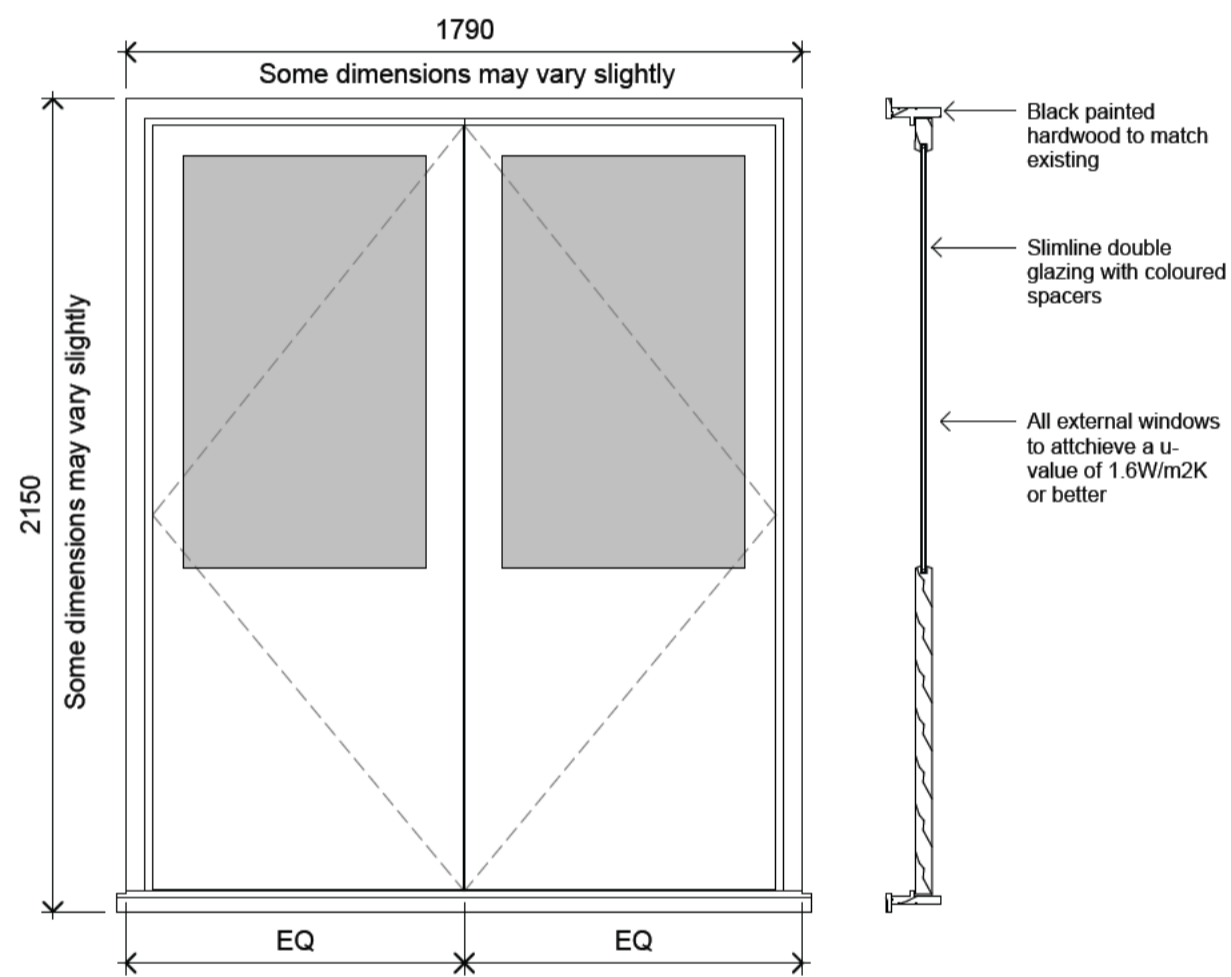
Window and Doors
TYPE C



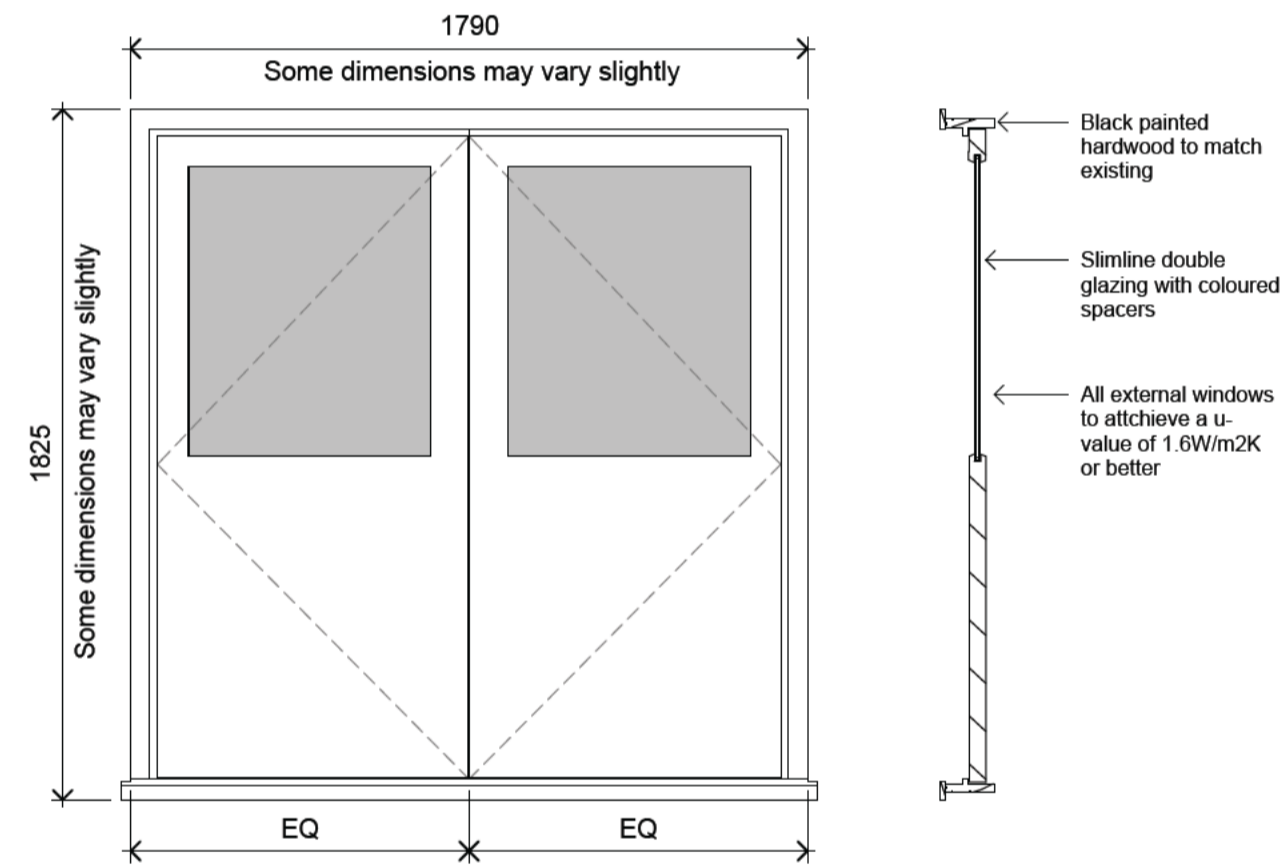
Window and Doors
TYPE E



Window and Doors
TYPE A



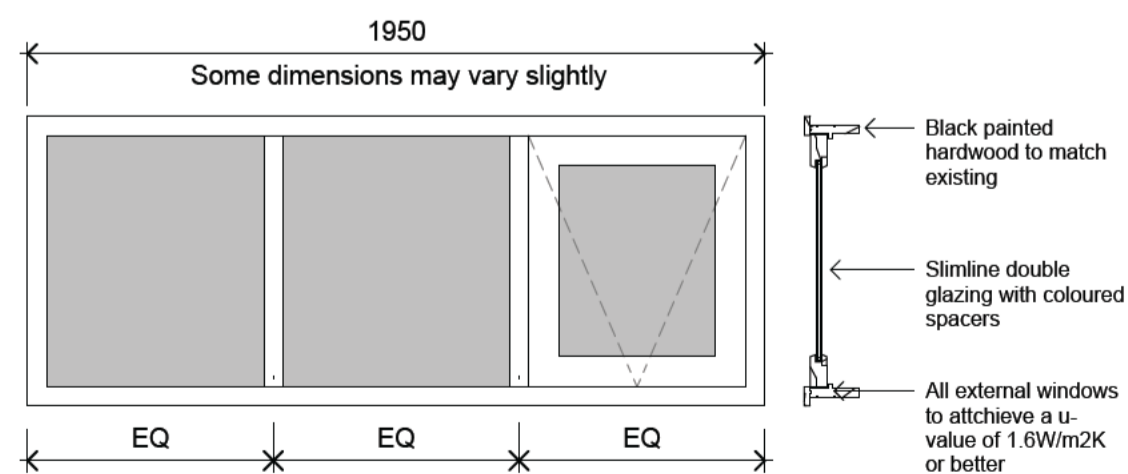
Window and Doors
TYPE B



Window and Doors
TYPE D



Window and Doors
TYPE B & D



New windows in existing openings for
bedrooms 302 and 402

Window and Doors
TYPE F



Window and Doors
TYPE C



Notes:

Confirm all dimensions on site prior to any off site manufacturing.
At construction phase do not scale from drawing, use figured dimensions only.
Dimensions are in millimetres and to structure unless stated otherwise.
Report any discrepancies, conflicts or errors to architect prior to proceeding.
Refer to structural engineers design for all load bearing elements, bracing, movement joints and below ground drainage.
Refer to mechanical and electrical engineers design for all building services.
All works to comply with relevant British Standards and Building Regulations.
This drawing and design is the property of 3bd LLP and is issued under license to the named recipient only. All copyright law protecting design, artistic & literary work contained within this drawing remains.

A	Updated to comments	04/03/24
Rev	Description	Date

FOR PLANNING

3bd LLP
Architects
RIBA Chartered Practice © 2021
15&17 Backfields Lane, Stokes Croft, Bristol, BS2 8QW
t 01173 707 380 e:partners@3bdarchitects.com

Client
Vijay Patel
Project
57 Prince Street, Bristol BS1 4QH

Drawing Title
EXTERNAL DOOR AND WINDOW DETAILS

Drawing Number
388-PLA- 151

Date
Jan '24

Scale
1:20@ A2

Drawn
JB

Chkd
SR

Rev.
A