



Driver & Vehicle
Standards
Agency

Heavy goods vehicle (HGV) inspection manual



Helping you **stay safe** on **Britain's roads**

Heavy Goods Vehicle Revision Record

Section Number	Section Title	Description of Change	Revision Date	Revision Number
	February 2021 HGV Inspection Manual	New February 01 2021 edition issued	01/02/2021	1.
26	Speedometer/Tachograph	Page 1 note for checking indicated 'K' factor removed. Page 2 note for using speed limiter test kit removed. Page 4 Removal of deficiency 3g.	01/05/2021	2.
33	Speed Limiter	Pages 2, 3, 4 and 5 layout reorganised, removal of the procedures for assessing speed limiter response speed and deficiencies 3a and 3b. Page 5 removed.	01/05/2021	3.
	Interpretation of Terms used in the Manual	Page 3 Front steered axle definition added Page 4 Obligatory term amended to Obligatory/Mandatory Page 5 O2 trailer definition added	01/05/2022	4.
07	Size and Type of Tyres	Page 1 note added for municipal vehicles restricted to 40MPH to - the plated axle weight can be exceeded by 15%.	01/05/2022	5.
08	Condition of tyres	Page 4 note for advising on date codes not seen on twin wheel fitments amended.	01/05/2022	6.
14	Spray suppression wings and Wheel Arches	Page 9 deficiency 2b(ii) "insufficient coverage of tread" – removed as it is addressed by deficiency 2d.	01/05/2022	7.
26	Speedometer/Tachograph	Page 3 remove paragraph for speed limiter response speed Page 4 Remove 3g and re-number accordingly	01/05/2022	8.
33	Speed limiter	Page 2 note for speed limiter exemption for vehicle between 2001 -2004 reformatted. Page 4 deficiency 3 removed and deficiencies renumbered.	01/05/2022	9.
38	Service Brake Operation	Page 6 deficiency 7 - ISO number corrected.	01/05/2022	10.
48	Suspension	Page 1 note for fracture air bag pedestal amended and notes for spring pins amended. Page 2 procedures for reinflating air bags reworded. Page 3 deficiency 1k added for anti roll bar missing. Page 4 deficiency 2c amended. Page 5 & 6 deficiencies 7 a to c (anti roll bar) removed and incorporated within deficiency 1 (general). Removed page 6.	01/05/2022	11.
58	Additional Braking Devices	Page 1 removed deficiency 1c (i) as it is duplicated in IM42 – and renumbered 1c(ii). Note added for damage and insecurity of wiring. Added four deficiencies 1d to 1g.	01/05/2022	12.
59	Brake Systems and Components	Page 1 note for brake hose surface cracking amended.	01/05/2022	13.
62	Markers and Reflectors	Page 4 note for triangular reflectors amended to add the word minor.	01/05/2022	14.

Section Number	Section Title	Description of Change	Revision Date	Revision Number
63	Lamps	<p>Page 1 application section, removal of the mandatory requirement for reverse lamps on trailers.</p> <p>Page 2 reference to trailers in reverse lamps notes removed and note added for clarification on side mounted reverse lamps.</p> <p>Pages 4 and 5 RVLRL table reformatted and amended to remove trailer reference in reverse lamps.</p> <p>Page 7 deficiency 7 b trailer references removed.</p>	01/05/2022	15.
66	Direction Indicators and Hazard Warning Lamps	<p>Page 1 and 2 layout changed and note for all indicators fitted must work amended to read all indicators fitted must be inspected.</p> <p>Three paragraphs added to explain the standard to apply for indicators combined with side marker lamps.</p>	01/05/2022	16.
71	Service Brake Performance	<p>Page 1 reference to Mercedes Axor Bluetec Hybrid removed.</p> <p>Page 4 Procedure for conditioning tri axle semi trailers equipped with Knorr Bremse has been removed.</p> <p>Page 5 EBS conditioning note amended to remove Knorr Bremse reference for page 4.</p>	01/05/2022	17.
72	Secondary Brake Performance	<p>Page 1, Unknown secondary split paragraph system amended to instruct users to use a front to rear split for secondary performance. Layout of page changed.</p>	01/05/2022	18.
	Interpretation of Terms used in the Manual	<p>Page 3, definition of inappropriate modification added.</p>	01/04/2023	19.
	Standards for Prohibition Issue at Statutory Test	<p>Page 5, note added for IM73 1a(ii) change.</p>	01/04/2023	20.
03	Seat Belts & Supplementary Restraint Systems	<p>Page 2, guidance for standard to apply for cuts and damage to seat belt webbing.</p>	01/04/2023	21.
06	Road Wheels and Hubs	<p>Page 1 the word "flange" added to note for a wheel nut or stud is considered loose.</p> <p>Page 1 note added for guidance on wheel flanges</p> <p>Page 3 note added for assessment of wheel corrosion.</p> <p>Page 4 deficiencies 3 a (i) and (ii) amended to include wheel flanges.</p>	01/04/2023	22.
07	Size and Type of Tyres	<p>Page 1 procedure and standard section, note for FRT tyres amended to include front steered axles</p>	01/04/2023	23.
09	Sideguards, rear Under-run & Bumpers	<p>Page 1 note for semi-trailers manufactured before 1 May 1983 has been amended to remove the word "design" from the paragraph.</p>	01/04/2023	24.
25	Windscreen Washers and Wipers	<p>Page 1, note added for wipers working on an intermittent speed only.</p>	01/04/2023	25.
26	Speedometer/ Tachograph	<p>Page 1, 1c tachograph installation date added to procedure and standards section.</p>	01/04/2023	26.

Section Number	Section Title	Description of Change	Revision Date	Revision Number
48	Suspension	Page 1 exception to note added for independent suspension checking.	01/04/2023	27.
59	Brake Systems and Components	Page 1 note added – brake callipers are hydraulic actuators. Page 7 deficiency 5 the word “Air” removed from Air Actuators.	01/04/2023	28.
63	Lamps	Page 6, deficiency 3 amended. Now deficiency 3a for any stop lamps not showing a steady red light and 3b for no lamps showing a steady red lamp, or lamps remaining illuminated when the brake has been released.	01/04/2023	29.
71	Service Brake Performance	Page 5 removed duplication and added note for EBS conditioning for Knorr Bremse equipped trailers.	01/04/2023	30.
73	Park Brake Performance	Page 2, requirements for type approved articulated tractor or drawing vehicle updated (must meet the higher of the two) and deficiency 1a(ii) changed to Dangerous*.	01/04/2023	31.
	About this Manual	Page 2 - Deficiency Categorisation – last sentence from minor deficiencies amended to cater for electronic test certification. Page 3, After test “(if requested)” added to cater for electronic test certification.	01/06/2024	32.
03	Seat Belts & Supplementary Restraint Systems	Page 2, note in procedure and standards for cuts and damage assessment is updated to clarify the importance of tensile strength. Page 2, note added to procedure and Standards “Air bags are not a mandatory fitment, the deficiency for air bag missing must only be used where it is obvious the vehicle had an air bag fitted and it is now missing. Page 2 some information moved to page 3.	01/06/2024	33.
07	Size and Type of Tyres	Page 1, note added to use markings encountered “some tyres may be branded for a tyre recommended use while still suitable for other applications”.	01/06/2024	34.
23	Glass and View of the Road	Page 2, note added to clarify the standard to apply for view to front on dash mounted monitors will dependant on the function that the system provides.	01/06/2024	35.
26	Speedometer/ Tachograph	Page 1 and 2, information layout reformatted with reference to analogue and digital tachographs removed. Removed duplicated note for the checks on DIL switch covers.	01/06/2024	36.
42	Electrical Wiring and Equipment	Page 1, note added to procedure and standard “A trailer electrical socket with a defective or missing cover flap that incorporates a lug and spring to hold the plug in place is not considered to be a defect.”	01/06/2024	37.
63	Lamps	Page 2, note added in respect of inoperative non obligatory lamps. Page 2 reversing lamps fitment note “ but all must work” removed.	01/06/2024	38.
66	Direction Indicators and Hazard Warning Lamps	Page 2, note added in respect of inoperative non obligatory lamps.	01/06/2024	39.

About this Manual

Purpose

This manual explains to everyone engaged in the practical work of vehicle examination and maintenance:

- The application of specific relevant requirements.
- The procedures and standards to be used.
- The deficiencies.
- The deficiency categorisation.

The manual is not a legal interpretation of Regulations, nor does it necessarily lay down standards for rejection elsewhere.

Layout of Inspection Manual

The page layout for each inspection item consists of an Application section; this section will contain the application criteria. Following this will be the Procedure and Standards section where any procedures specific to the section will be contained as well as any notes relevant to the standards to apply. The remainder of the page(s) will be split between the Deficiency and the Deficiency Category columns.

Procedures

The procedures given here assume that only parts of a vehicle which can readily be seen without dismantling are to be examined. However, it may be necessary to ask the driver to remove wheel embellishers or panels where it is not otherwise possible to inspect safety critical items.

Vehicle combinations will not normally be separated for the purposes of the test although it will be necessary to disconnect and reconnect airlines as directed.

Minimum Standards

It must be emphasised that these are minimum acceptable standards, which do not necessarily allow for further deterioration when the vehicle is in service.

About this Manual

Deficiency Categorisation

Deficiencies found during the test shall be categorised in one of the following groups:

- Minor – deficiencies having no significant effect on the safety of the vehicle/trailer or impact on the environment and other minor non-compliances. If only defects of a minor nature are present, a pass must be recorded.
- Major – deficiencies that may prejudice the safety of the vehicle/ trailer, have an impact on the environment, put other road users at risk or other more significant non-compliances.
- Dangerous – deficiencies constituting a direct and immediate risk to road safety or having an impact on the environment.

Acceptance For Test

A condition for accepting vehicles/trailers for test require a VTG6 plate or VTG7 certificate or copies thereof. For vehicles where no plates or certificates are issued a technical record must be in place before a test can commence.

This does not apply however to trailers presented for their first ever annual test. Plating documents for these trailers will be issued on successful completion of this "first test".

Other conditions for accepting vehicles for test include:

- A trailer must be accompanied by a suitable drawing vehicle.
- The vehicle chassis number or DVSA issued trailer identification mark must be permanently fixed to the vehicle in an accessible, easy to read position.
- The vehicle/trailer must be clean enough to allow the component parts to be inspected.
- The vehicle/trailer must not present a health & safety hazard to inspect.
- The vehicle/trailer must be appropriately loaded.

If you are in doubt regarding any of the above, it is recommended that you contact the Driver and Vehicle Standards Agency Contact Centre for advice.

About this Manual

Acceptance For Test (continued)

Vehicles must fitted with their bodies and should not be accepted for test without them. This does not include bin carriers, skeletal vehicles for carrying containers or demountable bodied vehicles.

The Inspection

Each inspection has been allocated a number, which is given at the top of the page.

Not all inspection numbers have been allocated.

The requirements of each inspection will be found in Schedule 3 of the Goods Vehicle (Plating and Testing) Regulations.

After The Test

On completion of the test, copies of the smoke test and brake test reports should be issued, together with (if applicable) a refusal to issue a certificate. The refusal will refer to the deficiencies identified, which are considered to be below the minimum standard.

Assessment of Component condition

It is not practicable to lay down limits of wear and tolerances for all types of components on different models of vehicle, or to define acceptable amounts of damage, deterioration and effectiveness. Testers are therefore expected to use their knowledge, experience and judgement in assessing whether the condition of a component has reached the stage where it is obviously adversely affecting its functionality or likely to adversely affect the roadworthiness of the vehicle.

About this Manual

Scope of Inspections

The scope of the inspections in this manual does not cover all the requirements of The Road Vehicles (Construction and Use) Regulations and The Road Vehicles Lighting Regulations.

Dual controls on vehicles will be inspected in the same manner as the primary controls although there will be no separate brake performance check.

Health and Safety

Drivers presenting vehicles for test must follow the instructions given by Driver and Vehicle Standards Agency staff. Radios and telephones must not be used whilst vehicles are undergoing test.

Interpretation of Terms used in the Manual

Articulated Vehicle

An articulated vehicle is a motor car or heavy motor car with a trailer so attached that part of the trailer is superimposed on the drawing vehicle and, when the trailer is uniformly loaded, not less than 20% of the weight of its load is borne by the drawing vehicle.

Corrosion

The effect of corrosion on the safety of the vehicle depends on:

- Its extent.
- The function of the section on which it has occurred.

A small amount of corrosion on an important part of the vehicle structure can make a vehicle unsafe where it destroys the continuity of the load bearing structure.

On the other hand, heavy corrosion of unimportant sections may have no effect on the vehicle safety.

Corrosion Assessment

The inspection should determine whether excessive corrosion exists first by visual inspection and then by finger and thumb pressure.

If necessary careful scraping or light tapping of the area is permitted.

Corrosion affected heavy gauge metal may be tapped harder than light gauge, but unwarranted force and damage must be avoided.

Corrosion Failure Criteria

Any part of a load bearing member or load bearing panelling should be refused if it is weakened by corrosion to the extent that:

- By finger and thumb pressure it does not feel rigid, or
- It crumbles to leave a hole, or
- When tapped there is penetration, or it causes the metal to crumble or disintegrate.

Cracked

A flaw or split in a component.

Damage

When assessing the extent of damage it is important to consider whether the performance of the component/system will be impaired or if the component/system is likely to fail prematurely.

Damage fulfilling either of these criteria is not acceptable and will be a deficiency.

Interpretation of Terms used in the Manual

Deteriorated

This will be a deficiency if the component or system is weakened to such an extent that it can no longer adequately perform its function.

Distorted

This will be a deficiency if the component or system is distorted to such an extent that it can no longer adequately perform its function.

DGVW

Design Gross Vehicle Weight – the maximum gross weight a vehicle was designed to operate at by the manufacturer.

DTAW

Design Total Axle Weight – the maximum total axle weight a vehicle was designed to operate at by the manufacturer.

EV (Electric Vehicle)

A vehicle that is powered by electric power train only. A vehicle with a hydrogen fuel cell should be considered an electric vehicle.

Excessive travel

An abnormal amount of movement which clearly indicates that a component has reached a stage when it requires remedial action to enable it to either:

- a. operate effectively as designed, or
- b. prevent it from reaching the end of its permitted travel, or
- c. prevent it from exceeding manufacturer's known maximum permitted limits.

Excessive wear

A component which is worn to such an extent that it is either:

- a. likely to fail, or
- b. clearly not functioning effectively as designed, or
- c. visibly worn beyond manufacturers' known permitted limits, or
- d. likely to affect the operation or condition of another safety related component.

Interpretation of Terms used in the Manual

First use dates

Throughout this manual we have used the terms “before” and “from” when referring to first use/manufactured dates. The term “from” should be regarded to be ‘on or after’ a certain date. Where there is a first use date quoted for a motor vehicle this will not normally apply if the vehicle was built more than 6 months before that date.

Forward Control Vehicle

Is a vehicle the configuration of which:

- more than half of the engine length is rearward of the foremost point of the windshield base and;
- the steering wheel hub is in the forward quarter of the vehicle length.

Fouling

This will only be a deficiency if contact of two parts is likely to cause damage to, or restrict the movement of a component.

Fractured/broken

Gap, opening or rupture where separation has taken place.

Front steered axle

Any axle(s) deemed to be forward of the chassis midpoint and directly controlled by the motor vehicle steering system.

HEV (Hybrid Electric Vehicle)

A vehicle powered by a power train that consists of both an internal combustion engine and an electrical energy/power storage device.

Inappropriate Modification

A modification to a component which stops or severely affects the functionality of the component (also see unsafe modification).

Insecure

The term “insecure” is used many times throughout this manual to describe a defective condition. This term should be taken to mean either:

- a component has relative movement (looseness) at its fixings where there should be none, or
- a component has relative movement (looseness) to an associated component where there should be none, or
- a safety critical component is not safely or completely attached at its fixing or to an associated component.

Certain components, such as wheel studs/nuts, body mountings etc. have specific criteria detailed in the inspection manual.

Interpretation of Terms used in the Manual

Obligatory/Mandatory

Required to be fitted by law.

Semi-trailer

A trailer which is constructed or adapted to form part of an articulated vehicle.

Trailer

Where the term trailer is used in this manual it refers to all types of trailers and semi-trailers.

Type Approved Vehicle

A vehicle manufactured from 1 October 1982 and first used from 1 April 1983 and has been issued with a Type Approval Certificate of Conformity, a Ministers Approval Certificate or a Type Approval Certificate issued by an EU Member State.

Type Approved

A component or system fitted to a vehicle which has been issued with a Type Approval Certificate or Certificate of Conformity or built to an approval standard which shows that the system or component complies with the requirements of an EU Directive or ECE regulation.

If the presenter claims that the vehicle is fitted with type approved equipment which complies with the requirements of an EC directive and has no documentary evidence, consideration must be given to the following:

- annual test standards should not exceed those of type approval
- does the component or system appear to have been modified, replaced or damaged

Where doubt exists, the benefit should be given to the presenter.

Unsafe Modification

Modifications to vehicles must be assessed on their merits, taking account of the nature of the modification and whether the component is safety critical.

The main criteria to be used are:

- whether the modification adversely affects the roadworthiness of the vehicle, or
- is likely to cause injury (such as modification to the body), or
- has a disproportionately adverse effect on the environment.

Vehicle

Where the term vehicle is used in the application section of this manual it refers to all types of **motor vehicle**.

Interpretation of Terms used in the Manual

Vehicle Category (Definition used in the Community Directive)

G: Off-road vehicles

N2: Vehicles used for the carriage of goods and having a DGWV exceeding 3,500 kg but not exceeding 12,000kg.

N3: Vehicles used for the carriage of goods and having a DGWV exceeding 12,000kg.

O2: Trailers with a DTAW exceeding 750kg, but not exceeding 3500 kg.

O3: Trailers with a DTAW exceeding 3,500 kg but not exceeding 10,000kg.

O4: Trailers with a DTAW exceeding 10,000kg.

Category T tractors for the purpose of this inspection manual means those that are:

- (a) capable by their design and construction of exceeding 40 kilometres per hour,
- (b) used for the haulage of a load or burden more than 15 miles from their operating base, and
- (c) where the haulage of the load or burden is not in relation to an agriculture, horticulture or forestry operation,

Vehicles of a specialised design or use characteristics

Vehicles designed/constructed and or used for specialist tasks such as cranes, category T vehicles or road construction vehicles may be unable to comply with some or all of the requirements for sideguards, rear under-run, spray suppression, conspicuity or lighting positional requirements.

List of Inspections

1	»Registration Plate	37	»Service Brake Pedal
2	Not allocated	38	Service Brake Operation
3	»Seat Belts & Supplementary Restraint Systems	39	Hand Operated Brake Control Valves
4	Not allocated	40	Not allocated
5	»Exhaust Emissions	41	Condition of Chassis
6	Road Wheels and Hubs	42	Electrical Wiring and Equipment
7	Size and Type of Tyres	43	»Engine and Transmission Mountings
8	Condition of Tyres	44	Oil Leaks
9	Sideguards, Rear Under-Run Devices and Bumper Bars	45	Fuel Tanks and Systems
10	Spare Wheel and Carrier	46	»Exhaust Systems and Nuisance
11	Vehicle to Trailer Coupling	47	Not allocated
12	Trailer parking and Emergency Brake and Air Line connections	48	Suspension
13	Trailer Landing Legs	49	Not allocated
14	Spray Suppression, Wings and Wheel Arches	50	Not allocated
15	»Cab Security	51	Not allocated
16	»Cab Doors	52	Not allocated
17	»Cab Floor and Steps	53	Axles, Stub Axles and Wheel Bearings
18	»Seats	54	Steering
19	Security of Body, Containers and Crane Support Legs	55	Not allocated
20	Condition of Body	56	Not allocated
21	Not allocated	57	Transmission
22	»Mirrors and Indirect Vision Devices	58	Additional Braking Devices
23	»Glass and View of the Road	59	Brake System and Components
24	Not allocated	60	Not allocated
		61	Not allocated
		62	Markers and Reflectors
		63	Lamps
		64	Not allocated
		65	Not allocated
		66	Direction Indicators and Hazard Warning Lamps
25	»Windscreen Washers and Wipers	67	»Aim of Headlamp
26	»Speedometer/Tachographs	68	Not allocated
27	»Horn	69	Not allocated
28	»Driving Controls	70	Not allocated
29	Not allocated	71	Service Brake Performance
30	»Steering Control	72	»Secondary Brake Performance
31	Not allocated	73	Parking Brake Performance
32	Not allocated	74	Other dangerous defects
33	»Speed Limiter		
34	»Pressure/Vacuum Warning and Build Up		
35	Not allocated		
36	»Hand Lever Operating Mechanical Brakes and Electronic Park Brake Controls		

» Inspection does not apply to trailers

Standards for Prohibition Issue at Statutory Test

This provides a standard for the issue of Prohibition Notices where dangerous deficiencies are observed during statutory tests.

The aim of the policy is to:

- Protect the public and other road users from unsafe vehicles where very dangerous deficiencies have been observed during test.
- Let operators know the rules so that they know and understand the standards for prohibition issue at test.
- Ensure consistency of approach.
- Preserve a balance between providing a flexible, customer focused, testing service and providing the public with protection from loss or injury from vehicles being used on public roads with serious roadworthiness defects.
- Provide information about such occurrences to DVSA Enforcement, and to Traffic Commissioners.

The approach, in principle, is to apply the following:

- Where a dangerous deficiency is marked with an asterisk * the examiner will be required to assess the severity of the defect in line with the deficiency criteria detailed in the table contained within the following pages, before deciding whether to issue an immediate prohibition.
- Where a dangerous deficiency is **NOT** marked with an asterisk; this will result in the issue of an immediate prohibition.

'S' Marked Prohibitions:

Prohibitions issued for defects found at the time of test will be endorsed as 'S' mark indicating there is a significant failure of roadworthiness compliance and maintenance, unless in the issuing Examiner's opinion the defect could not have been foreseen (i.e. a defect arising on the way to the Testing Facility).

Note:

Where an Exemption notice is issued to permit prohibited vehicles to proceed to a place of repair under controlled conditions the conditions of movement must be detailed on the notice. Examiners will issue an Exemption notice only if in their opinion the vehicle can be moved to such a place without risk to public safety.

Standards for Prohibition Issue at Statutory Test

Manual Reference	Deficiency Criteria	Deficiency
IM 3 Seat Belts	Detachment imminent where the applicable drivers and/or passengers seat will be occupied during the journey following test.	2a (ii)* 6a*
IM 6 Road Wheels and Hubs	Retaining ring is excessively displaced from its seating and total displacement is imminent. Failure or detachment imminent.	1a* 2d*
IM 7 Size and Type of Tyres	Directional stability is obviously, significantly affected.	1d* 1e* 1f* 2*
IM 8 Condition of Tyres	A tyre so severely damaged that failure of the tyre is likely. Tyre tread worn below the legal minimum on any tyre fitted to a steered axle and/or 50% or more of the total number of tyres fitted to non-steered axles.	1c* 1h*
IM 9 Sideguards, Rear Under-Run Devices & Bumper Bars	Use of the vehicle or trailer poses an imminent danger of injury to any person.	3b* 5b*
IM 10 Spare Wheel & Carrier	Detachment imminent.	1 (iii)* 2 (ii)*
IM11 Vehicle to Trailer Coupling	Detachment imminent.	1a (ii)*, 1b (ii)* 1c (ii)*, 1d (ii)* 1e* 2a (ii)*, 2b (ii)* 2e (ii)* 2g*

Standards for Prohibition Issue at Statutory Test

IM13 Trailer Landing Legs	Detachment imminent.	1*
IM 15 Cab Security	Directional stability is obviously, significantly affected and poses an immediate danger to road safety.	1a (ii)*
IM 17 Cab Floor and Steps	Directional control of the vehicle obviously significantly, affected and/or poses imminent danger of injury.	1 (ii)*
IM 18 Seats	Loss of control of the vehicle imminent.	1a (ii)*
IM 19 Security of Body, Containers and Crane Support Legs	Detachment of container imminent where fitted. Detachment imminent.	3f* 4a* 5a*
IM 20 Condition of Body	Detachment imminent and/or imminent danger of injury to other road users or pedestrians.	3*
IM 23 Glass and View of the Road	Imminent danger of injury to the driver and/or passengers or other road users.	2a*
IM 30 Steering Control	Imminent danger of injury to any person.	2c*
IM 38 Service Brake Operation	Brake efficiency impaired and poses an immediate danger to road safety.	3 (ii)*

Standards for Prohibition Issue at Statutory Test

Manual Reference	Deficiency Criteria	Deficiency
IM 41 Condition of Chassis	Loss of control of the vehicle imminent and/or safe carriage of person(s) affected or detachment of component imminent.	1a (ii)* 2a (ii)* 3a (ii)* 3b (ii)*
IM 42 Electrical Wiring and Equipment	Wiring touching hot or rotating parts or the ground.	1b (iii)*
IM 43 Engine and Transmission Mountings	Engine and/or transmission detachment imminent and poses an immediate danger to road safety.	1a (ii)* 1b (ii)* 1c (ii)*
IM 45 Fuel Tanks and System	Detachment imminent.	1b*
IM 46 Exhaust Systems and Nuisance	Detachment imminent.	1a (ii)* 3 (ii)*
IM 48 Suspension	Steering function impaired and/or the vehicle as presented, poses an immediate danger to road safety.	1g*
IM 53 Axles, Stub Axles and Wheel Bearings	A main component so defective that failure is imminent and poses an immediate danger to road safety.	1b*
IM 54 Steering	Mechanism fractured, cracked, damaged, misaligned, twisted or deformed to the extent that failure and/or separation is imminent.	2i*

Standards for Prohibition Issue at Statutory Test

Manual Reference	Deficiency Criteria	Deficiency
<p>IM 59 Brake systems and components</p>	<p>A brake back plate insecure or seriously weakened. A brake disc or drum missing, failed or failure imminent.</p>	<p>3a(ii) *</p>
<p>IM 71 Service Brake Performance</p>	<p>The vehicle as presented, poses an immediate danger to road safety. Efficiency significantly below legal requirements. Before issuing, the examiner must consider whether the vehicle, as presented, poses an immediate danger to road safety.</p>	<p>1d (iv)* 1d (v)*</p>
<p>IM 72 Secondary Brake Performance</p>	<p>The vehicle as presented, poses an immediate danger to road safety. Efficiency significantly below legal requirements. Before issuing, the examiner must consider whether the vehicle, as presented, poses an immediate danger to road safety.</p>	<p>1b (ii)* 1c*</p>
<p>IM 73 Parking Brake Performance</p>	<p>Before issuing the examiner must consider whether the vehicle as presented, poses an immediate danger to road safety. Efficiency significantly below legal requirements. Before issuing, the examiner must consider whether the vehicle, as presented, poses an immediate danger to road safety.</p>	<p>1a (ii)* 1b*</p>

Heavy Goods Vehicle Inspection Manual

01 Registration Plate

Application

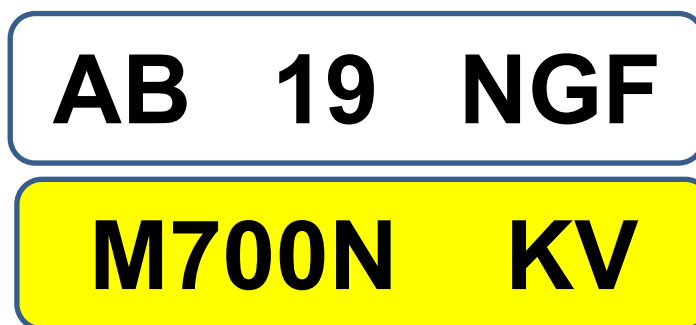
This inspection applies to all registered motorised vehicles.

Procedure and Standards

A registration plate should be easily legible to a person standing approximately 20m from the front/rear of the vehicle. Where a registration plate is obviously obscured by objects such as tow bars this will be a deficiency under 2b.

The registration plate must be checked for presence and security at the front and rear of the vehicle. The registration mark must be checked for presence and legibility.

A registration mark with characters which are obviously; incorrectly spaced (see examples), misformed or uses misplaced fixing bolts to alter the registration mark appearance, will be deemed to be not in accordance with the requirements.



Registration plates may display UK national flags or lettering on the left hand side and they may also show a green flash here to indicate that the vehicle is electric.

Deficiency	Deficiency Category
1 A registration plate:	
a. missing.	Major
b. insecure.	Major
2 A registration mark:	
a. missing.	Major
b. illegible.	Major
c. not in accordance with the requirements.	Major

Heavy Goods Vehicle Inspection Manual
03 Seat Belts & Supplementary Restraint Systems

Application

This inspection applies to all vehicles with seat belts and/or Supplementary restraint systems (SRS) fitted.

The inspection of Supplementary Restraint Systems (SRS) applies to airbags, seat belt pretensioners and seat belt load limiters when fitted as standard.

Procedure and Standards

The minimum requirement for the fitment of seat belts is detailed in the tables below.

The only goods vehicles up to and including 3500kg DGW likely to be subject to this inspection are mini-articulated vehicles.

Minimum Requirements for Forward Facing Seats on Vehicles First Used from 1 October 2001 with A DGW in Excess of 3500kg

Driver's seat	Front passenger seats	Rear passenger seats
3 point belt (lap and diagonal) or lap belt	3 point belt (lap and diagonal), lap belt or disabled person's belt	No belt required

Vehicles First Used from 1 April 1980 up to and Including 3500kg DGW

Vehicle first used:	Driver's and specified front passenger seat (furthest from driver)	Other front passengers	Rear passengers
1/4/1980 to 31/3/1981	2 point belt (diagonal body restraining)	No belt required	No belt required
1/4/1981 to 31/3/1987	3 point belt (lap and diagonal)	No belt required	No belt required
From 1/04/1987	3 point belt (lap and diagonal)	3 point belt (lap and diagonal), lap belt or disabled person's belt	No belt required

Seat belts are not required on light goods vehicles with an ULW exceeding 1525kg, if the model of vehicle was first manufactured before 1 October 1979 and the vehicle was manufactured before 1 October 1981, or first used before 1 April 1982.

For seats with integral seat belts, it may not be possible to examine the fixing of the seat belt to the seat.

Seat belt webbing must be assessed for cuts, damage, fluffing, fraying and any evidence of overstretching. Assessors must ensure that seat belt operation is not affected by any such damage. Any signs of overstretching will be a deficiency.

When assessing cuts or damage:

- Lateral cuts or damage on either edge of the webbing in excess of 2mm are likely to reduce the webbing strength significantly and will be deemed a deficiency.
- Lateral cuts or damage away from the webbing edges have a lesser effect on the tensile strength of a belt, only cuts or damage obviously in excess of 4mm shall be considered a deficiency.
- Vertical cuts or damage travelling along the belt length will have a lesser effect on the tensile strength than lateral cuts across the belt as there is less of a tendency to tear. A deficiency here should only be considered where there is substantial damage to such an extent that the belt strength is obviously seriously reduced.

On retracting seat belts, check that with the mechanism fastened and the seat adjusted to its rearmost position, excess webbing is wound into the retracting unit. If there is doubt about the operation of the retracting unit, this check should be carried out with the seat unoccupied.

Some types of retracting belt might need manual help before they retract.

Operate the release mechanism while pulling on the belt to check that the mechanism releases when required.

Pull the sheaths aside if this can be done without causing damage.

Some vehicles have seat belts which will not release the inertia aspect of the seat belt unless the ignition is switched on. Ensure the park brake is applied and the gears are in the neutral position before switching on the ignition. Owing to the height of cabs on many commercial vehicles this inspection should be performed with the inspector sat in the appropriate seat.

Floor mounted anchorages may need to be inspected from underneath the vehicle.

Where a belt is fitted with no corresponding seat or if there is a buckle/stalk but no corresponding belt, it is NOT to be considered a seat belt for the purpose of this inspection.

The SRS malfunction indicator lamp (MIL) may display a symbol similar to that below, one depicting a person wearing a seat belt or alternatively the letters 'SRS'.



A passenger air bag, which has been switched off, is not a deficiency.

Air bags are not a mandatory fitment, the deficiency for air bag missing must only be used where it is obvious the vehicle had an air bag fitted and it is now missing.

Seat belt load limiters are used on some vehicles to minimise seat belt inflicted injury in particularly violent collisions.

This is generally achieved by releasing a little more excess belt webbing when a great deal of force is applied to the belt.

The simplest type of load limiter is a fold sewn into the belt webbing. The stitches holding the fold in place are designed to come apart when a high amount of force is applied to the belt, thereby releasing an extra bit of webbing.

More advanced load limiters rely on a torsion bar in the retractor mechanism, which cannot usually be readily seen or tested.

Seat belt pre-tensioners may be fitted to some seat belts. Once activated a warning device may display.

Deficiency	Deficiency Category
<p>1 Obligatory Seat Belt (see Table):</p> <p>a. missing.</p> <p>b. of an incorrect type.</p>	<p>Major</p> <p>Major</p>
<p>2 Anchorage:</p> <p>a. (i) with excessive corrosion, serious deterioration or a fracture in a load bearing member of the vehicle structure within 30cm of the anchorage (where a seat belt is attached to a seat frame this will apply to all seat mounting points).</p> <p> (ii) with excessive corrosion, serious deterioration or a fracture in a load bearing member of the vehicle structure within 30cm of the anchorage (where a seat belt is attached to a seat frame this will apply to all seat mounting points) and is likely to detach.</p> <p>b. a seat belt not securely fixed to the seat or to the vehicle structure.</p>	<p>Major</p> <p>Dangerous*</p> <p>Major</p>
<p>3 Locking Mechanism, Stalks, Retracting Mechanism and Fittings:</p> <p>a. locking mechanism of a seat belt does not secure or release as intended.</p> <p>b. an attachment or adjustment fitting fractured, badly deteriorated or not operating effectively.</p> <p>c. corrosion or deterioration of a flexible stalk likely to lead to failure under load.</p> <p>d. broken flexible stalk strands.</p> <p>e. a retracting mechanism that does not retract the webbing sufficiently to remove all the slack from the belt with the locking mechanism fastened and the seat unoccupied.</p>	<p>Major</p> <p>Major</p> <p>Major</p> <p>Major</p> <p>Major</p>
<p>4 Condition of Webbing:</p> <p>a. (i) a cut or damage or fluffing or fraying, which is not sufficient to obstruct correct operation of the belt or which has not clearly weakened the webbing.</p> <p> (ii) a cut or damage or fluffing or fraying or overstretching sufficient to obstruct correct operation of the belt or significantly weaken the webbing.</p> <p>b. stitching badly frayed, insecure, incomplete or repaired.</p>	<p>Minor</p> <p>Major</p> <p>Major</p>

5	obvious signs of structural weakness in a seat belt; fitting, guide, stalk or pivot such that failure is likely.	Major
6	Seats with seat belts attached to them:	
	a. insecure.	Dangerous*
	b. with a cracked or fractured leg or frame.	Major
7	A seat belt:	
	a. load limiter or pretensioner obviously missing where fitted as original equipment.	Major
	b. pretensioner or a 'folded type' webbing load limiter obviously deployed.	Major
8	An airbag:	
	a. missing.	Major
	b. deployed or disconnected.	Major
9	The SRS warning lamp indicates any kind of failure of the system.	Major

Heavy Goods Vehicle Inspection Manual



05 Exhaust Emissions

Application

This inspection applies to all Compression Ignition engine vehicles.

Vehicles first used before 1 January 1980 will be subject to a visual examination only, see item 2 in Procedure & Standard and Deficiency sections for more details.

For Hybrid Electric Vehicles (HEV) see ninth bullet point below.

The inspection of the engine MIL  applies to diesel fuelled vehicles first used from 1 July 2008. The engine emission system (EES) MIL  is only part of the test where a vehicle is not fitted with the commonly recognised engine MIL.

The engine MIL inspection does not apply to dual fuelled vehicles.

Procedure and Standards

Compression Ignition Engines:

- **Exhaust emissions must be tested** using an approved and calibrated smoke meter.
- **Only in exceptional circumstances** where it is not possible to use a smoke meter will a visual check be carried out (visual tests will not apply to Fast Pass or vehicles submitted for **Low Emission Testing**).
- **If the exhaust has been deliberately modified** to prevent the smoke meter from being used a VTG 12 must be issued refusing to complete the test because the exhaust smoke emissions test cannot be carried out.
- **Twin exhaust systems, with or without a balance pipe** - both systems must be individually tested for smoke emissions. It may be necessary to purge the exhaust system again prior to the second check.
- **Supercharged engines** should be tested by selecting the non-turbocharged option on the smoke meter.
- **The test procedure** for turbocharged and non-turbocharged engines is the same.
- **It is not normally sufficient** to run the engine with the vehicle stationary to warm it up to temperature, so the emissions should be tested as soon as possible after the vehicle arrives at the test site.
- **With some types of smoke meter** care must be taken to ensure that the probe is correctly aligned to the exhaust gas flow (reference to meter manufacturer's instruction may be necessary).
- **HEVs do not require** a metered smoke test or a visual smoke test. However, if during the test excessive smoke is observed, this will be a deficiency under item 2b.

Some smoke meters (DSM) may fail to trigger a reading when testing modern vehicles fitted with low emission diesel engines, which produce very low levels of smoke. If the smoke meter does not register a reading or shows an error reading then irrespective of whether the DSM produces a printout a record of this must be made and produced on the test documentation. Where the DSM will not produce a printout, the record must state that the emissions limits were tested and met but the DSM could not register the reading.

Heavy Goods Vehicle Inspection Manual

05 Exhaust Emissions

Air Fuel Ratio Control (AFRC) fitted to Caterpillar engines. When the engine is stopped the control goes into an excess fuel position. When the engine is restarted the inlet manifold pressure necessary to reset the AFRC into its normal running position is normally greater than that generated during the free acceleration test. Vehicles should therefore either be checked, at the start of the test if the engine has not been stopped or at the end of the test where the vehicle should be driven on against the load of a partially applied brake sufficient to reset the AFRC prior to conducting the test.

If a vehicle fails the test because the exhaust is holed the emissions must be rechecked when the vehicle is retested.

Remember to issue a printout.

1. Free acceleration test using smoke meter

- 1a.
 - i. Check that the engine is at or near normal operating temperature.
 - ii. Purge the inlet and exhaust systems fully by holding the engine speed steady at just below maximum governed speed for 30 seconds.
 - iii. Select the appropriate test programme on the smoke meter.
 - iv. Follow the meter prompts; depress the accelerator pedal quickly but not violently, to reach full fuel position in less than 1 second. Hold it there until a release prompt is given. If, at the end of the 1st acceleration, the smoke meter value is no more than the appropriate opacity limit required for the vehicle, it will be deemed to have met the test limit.
 - v. After the first acceleration read the smoke level displayed on the meter. If it is greater than the opacity limit for the vehicle, further accelerations will be required up to a maximum of six.
- 1b. Assess visually whether the smoke emitted from the exhaust regardless of the measured density, is likely to obscure the vision of other road users.

2. Visual emission test


- 2a.
 - i. Only in exceptional circumstances where it is not possible to use a smoke meter will a visual check be carried out. The visual test is only to be used when it is not possible to use the smoke meter or where risk to health and safety would arise. The procedure is the same for supercharged, turbocharged and non-turbocharged engines.
 - ii. With the engine at or near normal operating temperature check the density of the exhaust emission visually.
 - iii. Ask the driver to depress the accelerator pedal quickly but not violently, to reach full fuel position in less than 1 second. Immediately release when the engine reaches its maximum governed speed, allow the engine to return to idle speed.
 - iv. Ignore smoke from the first acceleration.
 - v. Repeat up to a maximum of six times if necessary until the exhaust smoke is considered to be acceptable for two successive accelerations.
- 2b. Assess whether the smoke emitted from the exhaust, regardless of the measured density, is likely to obscure the vision of other road users.


Note: The criterion is density and not volume of smoke. The description 'dense smoke' includes any smoke or vapour, which largely obscures vision.

Manufacturer's plate value means either the value displayed on the VIN plate or a separate plate or sticker, which is likely to be within the engine compartment. The plate or sticker may be marked 24 R followed by a number to indicate the smoke limit (such as 0.24 in the example below). It's usually displayed in a box and often positioned in a corner of the VIN plate. The plate value must be used where available and may be of a value lower or higher than the default value.

0.24

Where more than one manufacturer's plate value is shown on a vehicle the less onerous limit must be used.

Generally, the engine MIL takes the form of the commonly recognised engine symbol .

However, some vehicles may only have been manufactured with an EES lamp  in which case this would be subject to test. Examiners must be certain that a deficiency exists before applying deficiency 5.

Where a vehicle is fitted with an engine MIL any illumination of the EES lamp is to be disregarded.

For all vehicles check the presence and condition of any emission control systems fitted as standard.

Deficiency	Deficiency Category
Compression Ignition Engines	
<p>1</p> <p>Statutory Smoke Meter Test:</p> <p>a. After a total of six accelerations have been completed, the average smoke opacity recorded for accelerations 4, 5 and 6 is more than:</p> <p>For vehicles used before 1 July 2008:</p> <ul style="list-style-type: none"> i. The level specified by the manufacturer's plate or 2.5m^{-1} for non-turbocharged engines where the plate value is not available. ii. The level specified by the manufacturer's plate or 3.0m^{-1} for turbocharged engines where the plate value is not available. <p>For vehicles first used from 1 July 2008:</p> <ul style="list-style-type: none"> iii. The level specified by the manufacturer's plate or 1.5m^{-1} for all CI engines where the plate value is not available. <p>For vehicles first used from 1 January 2014:</p> <ul style="list-style-type: none"> iv. The level specified by the manufacturer's plate or 0.7m^{-1} for all CI engines where the plate value is not available. <p>b. The exhaust emits excessive smoke or vapour of any colour, to an extent likely to obscure vision.</p>	<p>Major</p> <p>Dangerous</p>
<p>2</p> <p>Statutory Visual Test:</p> <p>a. After a maximum of six accelerations the exhaust emits smoke of a level greater than that of equivalent metered levels.</p> <p>b. The exhaust emits excessive smoke or vapour, of any colour, to an extent likely to obscure vision.</p>	<p>Major</p> <p>Dangerous</p>
All vehicles	
<p>3</p> <p>Emission control equipment fitted by the manufacturer absent, or obviously defective or shows any signs of obvious tampering.</p>	<p>Major</p>
<p>4</p> <p>A vehicle equipped with a Diesel Particulate Filter shows any visible signs of smoke.</p>	<p>Major</p>
<p>5</p> <p>Engine MIL inoperative or indicating a malfunction.</p>	<p>Major</p>

Low Emissions Vehicles (LEV) Smoke meter test

The LEV check is **not** part of the statutory test requirement.

1. Select appropriate LEV limit. Carry out Method of Inspections listed at 1.a procedures I, II and III only.
2. Following meter prompts carry out three acceleration tests. Depress the accelerator pedal quickly but not violently, to reach full fuel position **in less than 1 second**. Hold it there until a release prompt is given. At the end of the 3rd acceleration the smoke meter will display the average smoke value and test result. If the LEV value is not met and the meter readings are above the statutory limits, further accelerations up to a maximum of six may be prompted by the meter.

A vehicle will pass the LEV metered test if the opacity level is no greater than:

- 0.2m⁻¹ for all vehicles fitted with a particulate trap.
- 0.4m⁻¹ vehicles fitted with an unmodified Euro -2 engine.
- 0.8m⁻¹ vehicles fitted with an unmodified Euro -1 engine.
- 1.0m⁻¹ vehicles retro-fitted with a Euro -2 engine.

Heavy Goods Vehicle Inspection Manual

06 Road Wheels and Hubs

Application

This inspection applies to all road wheels and hubs apart from spare wheels.

Procedure and Standards

Where possible wheel nuts will be lightly tapped with a hammer to check for looseness, but any other evidence such as rust marks or elongation of bolt/stud holes must also be taken into account.

A nut or stud is considered to be “loose” if it is not obviously carrying out its function of clamping the wheel to the hub/wheel flange.

With some vehicles it is not possible to see the road wheels completely from ground level, especially with twin wheels and where the body hides part of the wheels. In such cases the vehicle must be moved to expose hidden parts of the wheels or examined from underneath.

Whenever possible, presenters should remove wheel embellishers; remove visual security indicators, if they prevent a full examination. Where this cannot be accomplished, continue to inspect the vehicle and a record must be made on the test documentation to state that the embellishers were not removed.

A 'wheel flange' is a component which is positioned between the road wheel and the hub which contains the wheel studs.

Capacity Limitations of 11.75 x 22.5 Alcoa Aluminium Wheels.

Wheels with the part number 813520/813523 may be stamped on the inside of the wheel, opposite the valve, with a maximum load rating of 4250kg or 4500kg and those with part number 813530/813533 with a rating of 4500kg. It has been agreed that wheels with these part numbers and maximum load ratings are suitable for a maximum axle weight of 9150kg.

Kronprinz wheels fitted to the Volvo FL L 4x2 rigid and FL 6H 4x2 rigid, are capable of carrying higher loads than those shown on the wheels. The wheels can be identified by the following markings stamped on the wheel:

Wheel brand name	Kronprinz
Clamping type	M20
Place of manufacture	Made in France
Designation	19.5 x 7.50HOS56 E-DOT
Wheel load index	144/142
Volvo part number	20946506

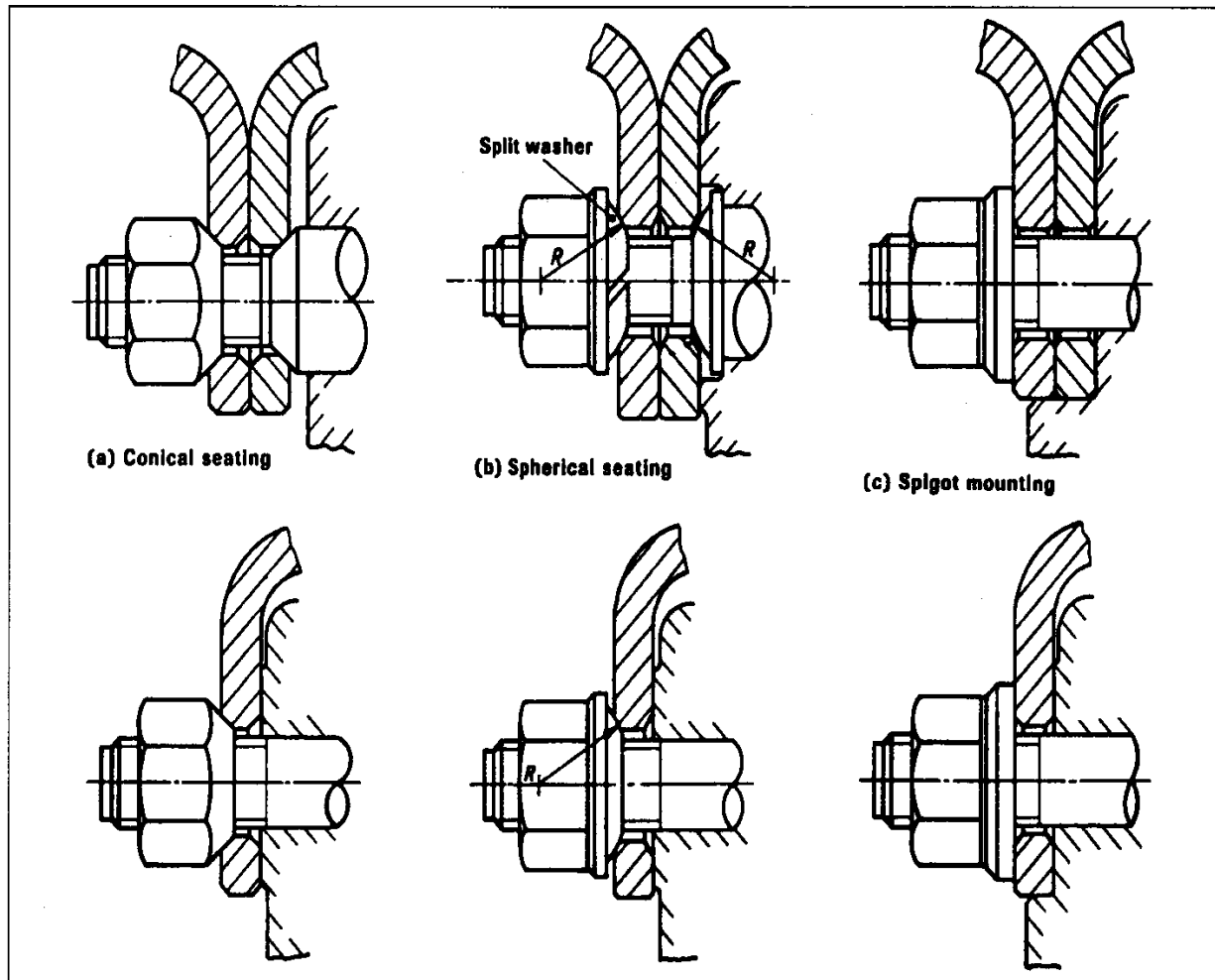
The wheel is capable of carrying a load equatable to a 145/143. Please be aware of the increased load capacity should you observe these wheels at annual test. This weight increase is applicable to all vehicles equipped with these wheels not just Volvo.

Capacity limitation of a wheel marked with a load index

If a wheel is marked with a load index which indicates that the maximum load is lower than is required to support the axle load, this will be a deficiency under 2.f.

Wheels not marked with a load index or load marking must be assumed to be capable of carrying the axle weight.

Compatibility of Wheel Fixings



Vehicles with conical wheel fixings **MUST NOT** be fitted with wheels from vehicles designed for use with spherical fixings. (British built vehicles normally have conical wheel fixings).

Vehicles with spherical wheel fixings **MUST NOT** be fitted with wheels from vehicles which are designed for use with conical fixings.

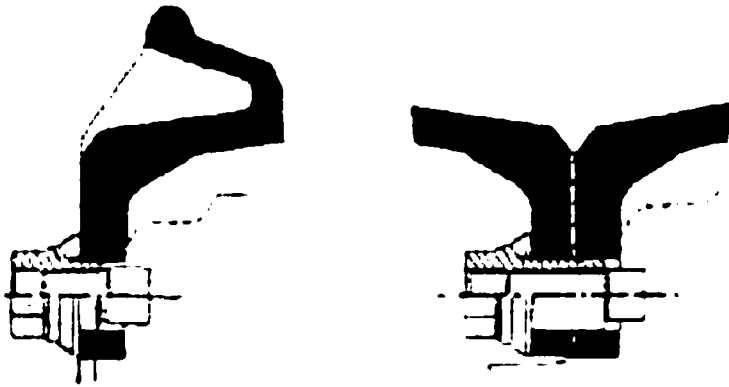
Volvo wheels of the original spigot-mounting design **WILL NOT** interchange with another type. Volvo wheels designed for later type spigot mounting may be used in an emergency on British built trailers.

Wheels with conical fixings **MUST NOT** be used on Volvo vehicles because they do not have a machine centre bore to fit the hub.

Spigots must extend to the outer wheel where twin wheels are fitted.

Wheel trims should be removed where possible to aid inspection; however, wheel nuts and studs must not be removed to check compatibility. Deficiency 2c only applies where obvious evidence exists that a wheel is not compatible with its hub and/or fixings.

Sleeved two piece flange nut fixing



Single wheel location

Twin Wheel Spigot Mounting

Sleeved two piece flange nut fixing, this fixing method of utilising a sleeved nut has been adopted primarily to allow the retro fitting of aluminium wheels which incorporate a thicker flange.

Where wheel trim brackets are secured by the wheel retaining nuts it is acceptable provided the bracket does not stop the wheel nut from seating correctly in the taper of the stud hole. For spigot mounted wheels there may be some overlap between the washer and bracket, this will only be considered a defect where the nut clamping force is obviously ineffective.

When assessing corroded road wheels, the effects on any wheel stud or nut functionality (clamping the wheel to a hub or wheel flange) must be considered.

Some wheel nut studs do not protrude all the way through the wheel nut this is acceptable provided there is no sign of insecurity.

Where twin wheels are fitted the spigots must extend to the outer wheel to locate this.

Deficiency	Deficiency Category
<p>1 A tyre retaining ring:</p> <p>a. fractured or not properly fitted such that detachment is likely.</p> <p>b. butting causing the flange to lift more than 1.5mm from the rim and/or not properly fitted.</p>	<p>Dangerous*</p> <p>Major</p>

2	A wheel:	
a.	(i) with any visible elongation of a stud hole.	Major
	(ii) with any visible elongation of a stud hole where secure fixing of the wheel is affected.	Dangerous
b.	(i) badly damaged or distorted (including damaged by the corners of a wheel nut cutting into the material of the wheel).	Major
	(ii) badly damaged or distorted (including damaged by the corners of a wheel nut cutting into the material of the wheel) where secure fixing of the wheel is affected.	Dangerous
c.	not compatible with its fixings.	Major
d.	cracked (except at the bridge over the valve), weld breaking away or an inadequate repair.	Dangerous*
e.	made of aluminium alloy repaired by welding.	Major
f.	with a load rating less than that required to support the maximum permissible (GB) axle load	Major
3	A hub:	
a.	(i) cracked, badly damaged, or with a half shaft or wheel flange bolt, stud or nut loose or missing.	Major
	(ii) cracked, badly damaged, or with half shaft bolts or wheel flange bolts, studs or nuts loose or missing where secure fixing of the wheel is affected.	Dangerous
b.	with clearance between a spigot mounted wheel and the hub spigots that exceeds 3mm across the diameter.	Major
c.	(i) with a wheel retaining nut or stud missing or loose or obviously not fulfilling the function of clamping the wheel to the hub.	Major
	(ii) with multiple wheel retaining nuts or studs missing or loose or obviously not fulfilling the function of clamping the wheel to the hub.	Dangerous
d.	with a spigot wheel nut washer cracked.	Major
e.	with a wheel locating spigot or dowel missing.	Major

Heavy Goods Vehicle Inspection Manual

07 Size and Type of Tyres

Application

This inspection applies to all tyres, apart from spare tyres.

Procedure and standards

The use markings most likely to be encountered are 'FRT' which indicates that the tyre is not suitable for use on a driven axle or front steered axle. Tyres marked 'TRAILER USE ONLY' are only suitable for use on trailers, some tyres may be branded for a tyre recommended use while still suitable for other applications. Tyres marked with a direction arrow pointing in the wrong direction should not be refused.

Tyres are usually identified by their nominal section size followed by the rim diameter e.g. 10.00-20,750-16, etc (the majority of modern tyres carry millimetric markings e.g. 205-16 etc). For identification of sidewall markings refer to the diagram at the end of this section. All tyres on an axle must be of the same nominal size. If a tyre is dual marked one of the markings must be the same as the markings on the other tyres on the axle.

There are still a number of high load capacity tyres in use which are marked with a code to indicate the tyre size and capacity e.g. a 10.00-20 16 ply tyre may be marked D20 or 4-20 (a full list of these tyres is given at Table 1).

If tyres marked with a load capacity index are fitted the maximum permissible axle Load for normal use can be found in Table 2 at the end of this section. The Load Index (LI) may consist of one or two numbers e.g. 154 or 146/143. Where two numbers are displayed the first refers to the use of the tyre in single formation and the second in twin formation. Reference to the table shows that the maximum loads for this tyre are 6000kg in single formation and 10900kg in twin formation.

If a load index is not shown the carrying capacity of a tyre can be determined from the Ply Rating. The load capacity of ply rated tyres is shown at Table 3. If no ply rating can be found on the tyre it should be assumed to have the lowest load capacity listed for that size of tyre.

This information relates to tyres used without any restriction (i.e. with tyre use symbol 2B indicated on the plate or plating certificate). There are three other categories of vehicle use which allow tyres to be operated at lower speeds and higher loads.

2J SPEED RESTRICTED TO 40MPH

This category is applicable to "Municipal vehicles". "Municipal vehicles" means a motor vehicle or trailer limited at all times to use by a local authority, or a person acting in pursuance of a contract with a local authority, for road cleansing, road watering or the collection and disposal of refuse, night soil or the contents of cesspools, or the purposes of the enactments relating to weights and measures or the sale of food and drugs:

OR "Multi-stop local collection and delivery vehicles" being a motor vehicle or trailer used for multi-stop collection and delivery services to be used only within a radius of 25 miles from the permanent base at which it is normally kept.

Note: For these vehicles the tyre load index capacity rating must be increased by 15%, for example a tyre used in single formation with a 143 load index is now increased from 5450kg maximum load to 6267kg.

2M SPEED RESTRICTED TO 40MPH

This category is applicable to a "low platform trailer" being a trailer fitted with tyres with a rim diameter size code of less than 20 and displaying a rectangular plate which is at least 225mm wide and at least 175mm high and bears two black letters "L" at least 125mm high and 90mm wide with a stroke width of 12mm.

2R SPEED RESTRICTED TO 50MPH

This category is applicable to any vehicle which displays a "50" plate in accordance with Schedule 13 of the C & U regulations.

SPEED SYMBOLS

The speed capability is represented by a letter which is displayed adjacent to the LI marking e.g. 146/143J. This indicates the speed at which the tyre can carry the load(s) indicated by the LI marking(s). In the above example the tyres carry a load of 6000/10900kg at 62mph.

The minimum required speed ratings are :

CLASS OF VEHICLE	PERMITTED SPEED (MPH)	MINIMUM SPEED SYMBOL
Rigid goods vehicles with maximum laden weight not exceeding 7.5 tonnes	70	L
Rigid goods vehicles with maximum laden weight exceeding 7.5 tonnes	60	J
Articulated vehicles	60	J
Trailers	60	J
Goods vehicles and trailers operating under 2J or 2M tyre use conditions	40	D
Category T vehicles	40	D
Restricted speed vehicles operating under 2R tyre use conditions	50	F

ALTERNATIVE SPEED RATINGS

Certain vehicles can be fitted with tyres showing a lower speed rating than those shown above but the maximum axle loads will be reduced as shown below.

CLASS OF VEHICLE	NORMAL SPEED RATING	ALTERNATIVE SPEED RATING	REDUCTION IN AXLE LOADS
Motor vehicle not exceeding 7500kg plated weight	L	J	7%
		K	3%
Trailers	J	F	15%
		G	5%

Details of the reduced axle loads which tyres can carry are shown in Table 4.

STRUCTURE

Examine all the tyres fitted and note the type of structure (radial, cross-ply or bias-belted) and the nominal size of tyres.

All tyres on an axle must be of the same structure and nominal size.

Tyres on an axle may be of different structures and nominal sizes to those on another axle with the following exceptions:

- All tyres on all steered axles must have the same structure.
- All tyres on all driven axles must have the same structure.
- On two axle motor vehicles where each axle is fitted with single wheels, if all the tyres are not of the same structure, the type of structure which is allowed to be fitted to each axle is shown in the table.

Axle 1	Axle 2
Cross-ply	Bias-belted
Cross-ply	Radial
Bias-belted	Radial

This does not apply to an axle on which wide single tyres with a road contact width of more than 300mm are fitted.

TABLE 1

CODE	TYRE SIZE
A16 or 1 — 16	750 — 16 — 12 PR
B16 or 2 — 16	825 — 16 — 14PR
C16 or 3 — 16	900 — 16 — 14 PR
B17 or 2 — 17	825 — 17 — 14 PR
A20 or 1 — 20	750 — 20 — 12 PR
B20 or 2 — 20	825 — 20 — 14 PR
C20 or 3 — 20	900 — 20 — 14 PR
D20 or 4 — 20	1000 — 20 — 16 PR
E20 or 5 — 20	1100 — 20 — 16 PR
F20	1200 — 20 — 18 PR
G20	1400 — 20 — 22 PR
E22 or 5 — 22	1100 — 22 — 16 PR
B22.5 or 2 — 22.5	9 — 22.5 — 14 PR
C22.5 or 3 — 22.5	10 — 22.5 — 14 PR
D22.5 or 4 — 22.5	11 — 22.5 — 16 PR
E22.5	12 — 22.5 — 16 PR
C24 or 3 — 24	900 — 24 — 14 PR
E24	1100 — 24 — 16 PR

Table 2 Load capacity index table

Extract from ECE Reg 54: "Load index" Table amended to show axle loads

Load Index	Single Kg	Dual Kg	Load Index	Single Kg	Dual Kg	Load Index	Single Kg	Dual Kg
70	670	1340	110	2120	4240	150	6700	13400
71	690	1380	111	2180	4360	151	6900	13800
72	710	1420	112	2240	4480	152	7100	14200
73	730	1460	113	2300	4600	153	7300	14600
74	750	1500	114	2360	4720	154	7500	15000
75	774	1548	115	2430	4860	155	7750	15500
76	800	1600	116	2500	5000	156	8000	16000
77	824	1648	117	2570	5140	157	8250	16500
78	850	1700	118	2640	5280	158	8500	17000
79	874	1748	119	2720	5440	159	8750	17500
80	900	1800	120	2800	5600	160	9000	18000
81	924	1848	121	2900	5800	161	9250	18500
82	950	1900	122	3000	6000	162	9500	19000
83	974	1948	123	3100	6200	163	9750	19500
84	1000	2000	124	3200	6400	164	10000	20000
85	1030	2060	125	3300	6600	165	10300	20600
86	1060	2120	126	3400	6800	166	10600	21200
87	1090	2180	127	3500	7000	167	10900	21800
88	1120	2240	128	3600	7200	168	11200	22400
89	1160	2320	129	3700	7400	169	11600	23200
90	1200	2400	130	3800	7600	170	12000	24000
91	1230	2460	131	3900	7800	171	12300	24600
92	1260	2520	132	4000	8000	172	12600	25200
93	1300	2600	133	4120	8240	173	13000	26000
94	1340	2680	134	4240	8480	174	13400	26800
95	1380	2760	135	4360	8720	175	13800	27600
96	1420	2840	136	4480	8960	176	14200	28400
97	1460	2920	137	4600	9200	177	14600	29200
98	1500	3000	138	4720	9440	178	15000	30000
99	1550	3100	139	4860	9720	179	15500	31000
100	1600	3200	140	5000	10000			
101	1650	3300	141	5150	10300			
102	1700	3400	142	5300	10600			
103	1750	3500	143	5450	10900			
104	1800	3600	144	5600	11200			
105	1850	3700	145	5800	11600			
106	1900	3800	146	6000	12000			
107	1950	3900	147	6150	12300			
108	2000	4000	148	6300	12600			
109	2060	4120	149	6500	13000			

1. Ply Rating Marked Tyres

How to use this table:

1. Locate the line entry corresponding to the size and ply rating marked on the tyre sidewall;
2. Read off the maximum axle load (kg) for these tyres in 'SINGLE' or 'TWIN' formation, as appropriate.

TABLE 3

Nominal Tyre Size	Ply Rating	Maximum Axle Load (Kg)	
		Single Tyres	Twin Tyres
145 - 13C	6	970	1840
145 - 13C	8	1120	2120
560 - 13C	6	1020	1940
590 - 13C	6	1070	2090
640 - 13C	6	1280	2240
640 - 13C	8	1430	2750
670 - 13C	6	1380	2650
670 - 13C	8	1580	3050
1050 - 13	12	4320	7880
1050 - 13	14	4830	8900
155 - 14C	6	1070	2040
165 - 14C	6	1300	2460
165 - 14C	8	1460	2760
175 - 14C	6	1430	2680
175 - 14C	8	1550	3000
185 - 14	RADIAL	1200	2300
185 - 14	REINFORCED RAD	1340	2560
185 - 14	4	1340	2560
185 - 14C	6	1550	2920
185 - 14C	8	1700	3200
195 - 14	RADIAL	1300	2490
195 - 14	REINFORCED RAD	1500	2870
195 - 14C	6	1700	3210
195 - 14C	8	1900	3600
205 - 14	RADIAL	1420	2720
205 - 14	REINFORCED RAD	1650	3160
205 - 14C	6	1850	3510
205 - 14C	8	2060	3900
215 - 14C	8	2240	4240
590 - 14C	6	1170	2240
600 - 14C	8	1260	2400

Nominal Tyre Size	Ply Rating	Maximum Axle Load (Kg)	
		Single Tyres	Twin Tyres
640 - 14C	6	1330	2550
650 - 14	4	970	1860
650 - 14C	6	1300	2460
650 - 14C	8	1500	2840
670 - 14C	6	1430	2750
670 - 14C	8	1680	3160
700 - 14	4	1070	2050
700 - 14C	6	1380	2650
750 - 14	4	1200	2300
750 - 14C	6	1530	2950
750 - 14C	8	1730	3360
11-15	6	2240	—
145 - 15C	8	1230	2320
185 - 15C	8	1750	3400
590 - 15C	6	1220	2340
640 - 15C	6	1380	2650
670 - 15C	6	1530	2900
670 - 15C	8	1780	3460
670 - 15	10	2000	3900
700 - 15C	6	1750	3400
700 - 15C	8	1940	3750
700 - 15	12	2440	4580
750 - 15C	6	1830	3560
750 - 15C	8	2060	3970
750 - 15	10	2340	4370
750 - 15	12	2750	5340
750 - 15	14	3150	6100
750 - 15	16	3660	6860
825 - 15	12	3050	5590
825 - 15	14	3360	6360
825 - 15	18	4680	8540
825 - 15	20	5000	9440
1000 - 15	12	3870	7120
1000 - 15	14	4320	8130
1000 - 15	16	5020	9580
1000 - 15	18	5400	10170

Nominal Tyre Size	Ply Rating	Maximum Axle Load (Kg)	
		Single Tyres	Twin Tyres
175 - 16C	6	1500	2840
175 - 16C	8	1650	3100
185 - 16C	8	1800	3400
195 - 16C	8	1950	3700
205 - 16C	6	1900	3610
205 - 16C	8	2120	4000
215 - 16C	6	2120	4000
215 - 16C	8	2300	4360
235 - 85 - 16	10	2760	5040
600 - 16	6	1380	2550
600 - 16	8	1530	2920
600 - 16	10	1830	3300
650 - 16	6	1530	2920
650 - 16	8	1830	3460
650 - 16	10	2040	3900
700 - 16	6	1730	3260
700 - 16	8	2040	3870
700 - 16	10	2340	4480
700 - 16	12	2650	5000
750 - 16	6	2040	3870
750 - 16	8	2240	4270
750 - 16	10	2500	4720
750 - 16	12	2900	5600
825 - 16	8	2650	4880
825 - 16	10	2850	5440
825 - 16	12	3300	6400
825 - 16	14	3600	6800
900 - 16	6	2360	4360
900 - 16	8	2720	5140
900 - 16	10	3050	5600
900 - 16	12	4070	7200
900 - 16	14	4320	7800
1050 - 15	12	4580	8130

Nominal Tyre Size	Ply Rating	Maximum Axle Load (Kg)	
		Single Tyres	Twin Tyres
1400 - 16	18	7880	—
1400 - 16	20	8390	—
1400 - 16	22	9150	—
9.50 - 16.5	6	2130	3750
825 - 17	10	3260	5850
825 - 17	12	3560	6200
825 - 17	14	3820	7200
8 - 17.5C	8	2300	4480
8 - 17.5	10	2570	5000
8.5 - 17.5	RADIAL	2900	5600
9.5 - 17.5	RADIAL	3400	6400
8 - 19.5	RADIAL	3100	6000
9 - 19.5	RADIAL	3800	7200
9.5 - 19.5	RADIAL	4240	7800
600 - 20	6	1430	2750
600 - 20	8	1630	3100
600 - 20	10	1830	3460
650 - 20	6	1830	3460
650 - 20	8	2240	4070
650 - 20	10	2440	4680
700 - 20	8	2240	4480
700 - 20	10	2650	4880
700 - 20	12	2850	5340
750 - 20	8	2850	5340
750 - 20	10	3260	6000
750 - 20	12	3600	7000
825 - 20	10	3560	6610
825 - 20	12	3820	7200
825 - 20	14	4120	7800
900 - 20	10	4070	7630
900 - 20	12	4580	8240
900 - 20	14	5000	9200

Nominal Tyre Size	Ply Rating	Maximum Axle Load (Kg)	
		Single Tyres	Twin Tyres
1000 - 20	12	4830	8640
1000 - 20	14	5340	9720
1000 - 20	16	6100	10900
10.5 - 20	6	2800	—
1100 - 20	12	5340	9660
1100 - 20	14	6100	10900
1100 - 20	16	6610	11600
1200 - 20	14	6100	10600
1200 - 20	16	6360	12000
1200 - 20	18	7630	13010
12.5 - 20	10	3700	—
1300 - 20	16	7800	—
1300 - 20	18	8900	—
1300 - 20	20	*9300	—
1400 - 20	18	9150	—
1400 - 20	20	*9510	—
1400 - 20	22	*10000	—
14.5 - 20	10	4000	—
1500 - 20	20	10600	—
1500 - 20	22	11600	—
1500 - 20	24	12600	—
1600 - 20	14	6100	—
1600 - 20	20	11400	—
1600 - 20	22	12500	—
1600 - 20	24	13600	—
1380 - 20	18	7300	13000
1480 - 20	18	8250	—
1100 - 22	12	5590	10170
1100 - 22	14	6100	10810
1100 - 22	16	6860	12000

Nominal Tyre Size	Ply Rating	Maximum Axle Load (Kg)	
		Single Tyres	Twin Tyres
9 - 22.5	10	3560	6610
9 - 22.5	12	3820	7200
9 - 22.5	14	4120	7800
10 - 22.5	10	4070	7630
10 - 22.5	12	4580	8240
10 - 22.5	14	5000	9200
11 - 22.5	12	4830	8640
11 - 22.5	14	5340	9720
11 - 22.5	16	6100	10900
13 - 22.5	18	7500	13000
10/70 - 22.5	14	5000	9200
11/70 - 22.5	12	5300	9720
11/70 - 22.5	14	5600	10300
11/70 - 22.5	16	6100	10900
12/70 - 22.5	16	6610	11600
13/70 - 22.5	18	7630	13010
275/70 - 22.5	RADIAL	5000	9200
275/70 - 22.5	16	6100	—
315/70 - 22.5	16	6610	11600
900 - 24	12	5090	9150
900 - 24	14	5340	10170
1000 - 24	14	6100	10500
1100 - 24	12	5850	10300
1100 - 24	14	6610	11200
1100 - 24	16	7120	12300
1200 - 24	14	6610	—
1200 - 24	16	7370	—
1200 - 24	18	8130	—
1200 - 24	20	9000	—
1400 - 24	18	10000	—
1400 - 24	22	11200	—
11 - 24.5	14	5830	10800

Note: Items marked '*' are not suitable in UK over 9200kg due to minimum tread width requirement of 300mm

TABLE 4 MAX AXLE LOADS FOR “UNRESTRICTED” SPEED VEHICLES

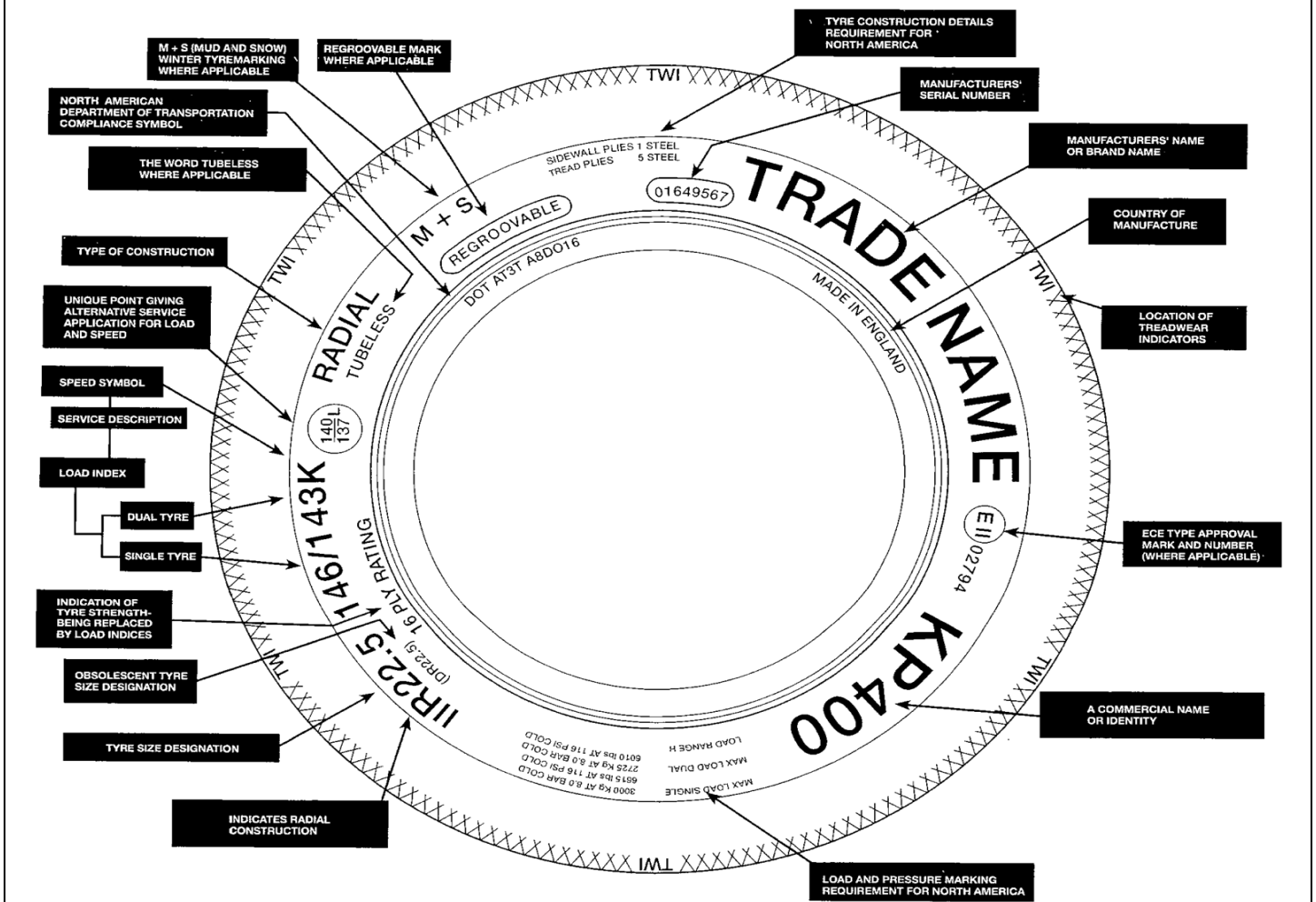
Tyre load Index	Trailers permitted to exceed 50mph (up to 60mph)				Motor vehicles permitted to exceed 60mph (up to 70mph)			
	Speed Symbol F (-15%)		Speed Symbol G (-5%)		Speed Symbol J (-7%)		Speed Symbol K (-3%)	
	Single Kg	Dual Kg	Single Kg	Dual Kg	Single Kg	Dual Kg	Single Kg	Dual Kg
70	570	1140	640	1280	630	1250	650	1300
71	590	1180	660	1320	650	1290	670	1340
72	610	1210	680	1350	660	1330	690	1380
73	630	1250	700	1390	680	1360	710	1420
74	640	1280	720	1430	700	1400	730	1460
75	660	1320	740	1480	720	1440	760	1510
76	680	1360	760	1520	750	1490	780	1560
77	700	1410	790	1570	770	1540	800	1600
78	730	1450	810	1620	800	1590	830	1650
79	750	1490	830	1670	820	1630	850	1700
80	770	1530	860	1710	840	1680	880	1750
81	790	1580	880	1760	860	1720	900	1800
82	810	1620	910	1810	890	1770	930	1850
83	830	1660	930	1860	910	1820	950	1890
84	850	1700	950	1900	930	1860	970	1940
85	880	1760	980	1960	960	1920	1000	2000
86	910	1810	1010	2020	990	1980	1030	2060
87	930	1860	1040	2080	1020	2030	1060	2120
88	960	1910	1070	2130	1050	2090	1090	2180
89	990	1980	1110	2210	1080	2160	1130	2250
90	1020	2040	1140	2280	1120	2240	1170	2330
91	1050	2100	1170	2340	1150	2290	1200	2390
92	1080	2150	1200	2400	1180	2350	1230	2450
93	1110	2210	1240	2470	1210	2420	1270	2530
94	1140	2280	1280	2550	1250	2500	1300	2600
95	1180	2350	1320	2630	1290	2570	1340	2680
96	1210	2420	1350	2700	1330	2650	1380	2760
97	1250	2490	1390	2780	1360	2720	1420	2840
98	1280	2550	1430	2850	1400	2790	1460	2910
99	1320	2640	1480	2950	1450	2890	1510	3010
100	1360	2720	1520	3040	1490	2980	1560	3110
101	1410	2810	1570	3140	1540	3070	1610	3210
102	1450	2890	1620	3230	1590	3170	1650	3300
103	1490	2980	1670	3330	1630	3260	1700	3400
104	1530	3060	1710	3420	1680	3350	1750	3500
105	1580	3150	1760	3520	1730	3450	1800	3590
106	1620	3230	1810	3610	1770	3540	1850	3690
107	1660	3320	1860	3710	1820	3630	1900	3790
108	1700	3400	1900	3800	1860	3720	1940	3880
109	1760	3510	1960	3920	1920	3840	2000	4000
110	1810	3610	2020	4030	1980	3950	2060	4120
111	1860	3710	2080	4150	2030	4060	2120	4230
112	1910	3810	2130	4260	2090	4170	2180	4350
113	1960	3910	2190	4370	2140	4280	2240	4470
114	2010	4020	2250	4580	2200	4390	2290	4580
115	2070	4140	2310	4620	2260	4520	2360	4720
116	2130	4250	2380	4750	2330	4650	2430	4850
117	2190	4370	2450	4890	2390	4780	2500	4990

TABLE 4 (continued) MAX AXLE LOADS FOR “UNRESTRICTED” SPEED VEHICLES

Tyre load Index	Trailers permitted to exceed 50mph (up to 60mph)				Motor vehicles permitted to exceed 60mph (up to 70mph)			
	Speed Symbol F (-15%)		Speed Symbol G (-5%)		Speed Symbol J (-7%)		Speed Symbol K (-3%)	
	Single Kg	Dual Kg	Single Kg	Dual Kg	Single Kg	Dual Kg	Single Kg	Dual Kg
118	2250	4490	2510	5020	2460	4910	2570	5130
119	2320	4630	2590	5170	2530	5060	2640	5280
120	2380	4760	2660	5320	2610	5210	2720	5440
121	2470	4930	2760	5510	2700	5400	2820	5626
122	2550	5100	2850	5700	2790	5580	2910	5820
123	2640	5270	2950	5890	2890	5770	3010	6020
124	2720	5440	3040	6080	2980	5960	3110	6210
125	2810	5610	3140	6270	3070	6140	3210	6410
126	2890	5780	3230	6460	3170	6330	3300	6600
127	2980	5950	3330	6650	3260	6510	3400	6790
128	3060	6120	3420	6840	3350	6700	3500	6990
129	3150	6290	3520	7030	3450	6890	3590	7180
130	3230	6460	3610	7220	3540	7070	3690	7380
131	3320	6630	3710	7410	3630	7260	3790	7570
132	3400	6800	3800	7600	3720	7440	3880	7760
133	3510	7010	3920	7830	3840	7670	4000	8000
134	3610	7210	4030	8060	3950	7890	4120	8230
135	3710	7420	4150	8290	4060	8110	4230	8460
136	3810	7620	4260	8520	4170	8340	4350	8700
137	3910	7820	4370	8740	4280	8560	4470	8930
138	4020	8030	4490	8970	4390	8780	4580	9160
139	4140	8270	4620	9240	4520	9040	4720	9430
140	4250	8500	4750	9500	4650	9300	4850	9700
141	4380	8760	4900	9790	4790	9580	5000	10000
142	4510	9010	5040	10070	4930	9860	5150	10290
143	4640	9270	5180	10360	5070	10140	5290	10580
144	4760	9520	5320	10640	5210	10420	5420	10870
145	4930	9860	5510	11020	5400	10790	5630	11260
146	5100	10200	5700	11400	5580	11160	5820	11640
147	5230	10460	5850	11690	5720	11440	5970	11940
148	5360	10710	5990	11970	5860	11720	6120	12230
149	5530	11050	6180	12350	6050	12090	6310	12610
150	5700	11390	6370	12730	6240	12470	6500	13000
151	5870	11730	6560	13110	6420	12840	6700	13390
152	6040	12070	6750	13490	6610	13210	6890	13780
153	6210	12140	6940	13870	6790	13580	7090	14170
154	6380	12750	7130	14250	6980	13950	7280	14550
155	6590	13180	7370	14730	7210	14420	7520	15040
156	6800	13600	7600	15200	7440	14880	7760	15520
157	7020	14030	7840	15680	7680	15350	8010	16010
158	7230	14450	8080	16150	7910	15810	8250	16490
159	7440	14880	8320	16630	8140	16280	8490	16980
160	7650	15300	8550	17100	8370	16740	8730	17460
161	7870	15730	8790	17580	8610	17210	8980	17950
162	8080	16150	9030	18050	8840	17670	9220	18430
163	8290	16580	9270	18530	9070	18140	9460	18920
164	8500	17000	9500	19000	9300	18600	9700	19400

TABLE 4 (continued) MAX AXLE LOADS FOR "UNRESTRICTED" SPEED VEHICLES

Tyre load Index	Trailers permitted to exceed 50mph (up to 60mph)				Motor vehicles permitted to exceed 60mph (up to 70mph)			
	Speed Symbol F (-15%)		Speed Symbol G (-5%)		Speed Symbol J (-7%)		Speed Symbol K (-3%)	
	Single Kg	Dual Kg	Single Kg	Dual Kg	Single Kg	Dual Kg	Single Kg	Dual Kg
165	8760	17510	9790	19570	9580	19160	10000	19990
166	9010	18020	10070	20140	9860	19720	10290	20570
167	9270	18530	70360	20710	10140	20280	10580	21150
168	9520	19040	10640	21280	10420	20840	10870	21730
169	9860	19720	11020	22040	10790	21580	11260	22510
170	10200	20400	11400	22800	11160	22320	11640	23280
171	10460	20910	11690	23370	11440	22880	11940	23870
172	10710	21420	11970	23940	11720	23440	12230	24450
173	11050	22100	12350	24700	12090	24180	12610	25220
174	11390	22780	12730	25460	12470	24930	13000	26000
175	11730	23460	13110	26220	12840	25670	13390	26780
176	12070	24140	13490	26980	13210	26420	13780	27550
177	12410	24820	13870	27740	13580	27160	14170	28330
178	12750	25500	14250	28500	13950	27900	14550	29100
179	13180	26350	14730	29450	14420	28830	15040	30070



Deficiency	Deficiency Category
<p>1 A tyre:</p> <p>a. (i) of which the nominal size, ply rating, load index or speed rating of any tyre is below that appropriate for the plated axle weight.</p> <p> (ii) of which the nominal size, ply rating, load index or speed rating of any tyre is below that appropriate for the plated axle weight and is loaded in excess of the tyre load index/ply rating.</p> <p>b. which has a tyre use marking inappropriate for the type of axle or vehicle to which it is fitted.</p> <p>c. of a different nominal size to another on the same axle.</p> <p>d. of a different structure to another on the same axle.</p> <p>e. on a steerable axle which is not of the same structure as any other tyre on any steerable axle.</p> <p>f. on a driven axle which is not of the same structure as any other tyre on any driven axle.</p>	<p>Major</p> <p>Dangerous</p> <p>Major</p> <p>Major</p> <p>Dangerous*</p> <p>Dangerous*</p> <p>Dangerous*</p>
<p>2 On a two axle motor vehicle fitted with single tyres on both axles a combination of tyres with structures which are not shown as acceptable in the table.</p>	<p>Dangerous*</p>

Heavy Goods Vehicle Inspection Manual

08 Condition of Tyres

Application

The examination for tyre condition applies to all tyres fitted to vehicles and trailers apart from spare tyres.

The check for tyre age markings does not apply to:

- category T tractors.
- motor vehicles and trailers below 3501kgs DGWV.
- motor vehicles and trailers with a first use date of forty years and over and used for non-commercial purposes.

Trailer tyres require age markings but the age of the tyre is not applicable.

Procedure and standards

Lifting of the tread rubber is a deficiency.

If a portion of the tread material is partially severed so that it is likely to fly off and cause danger for other road users, it is a deficiency.

The following criteria should be used when assessing a cut in a tyre:

1. Any ply or cord that can be seen without touching the tyre would be a deficiency under 1c.
2. If by folding back rubber or opening a cut with a blunt instrument, so as not to cause further damage, exposed ply or cord can be seen irrespective of the size of the cut this would be a deficiency under 1c.
3. If a cut which is more than 25mm or 10% of the section width whichever is the greater, is opened with a blunt instrument and cords can be felt but not seen this would be a deficiency under 1a.

Before failing a cut as listed in 3 above, you must ensure that it is definitely the cords that are felt and not a foreign object.

When checking bulges care must be taken to distinguish between bulges caused by separation or partial failure of the structure and the bulges which are due to normal manufacturing undulations in the tyre or due to a satisfactory repair. A bulge due to a repair will be solid, feeling firm to hand pressure and will not deflect as would a bulge associated with casing separation.

Recapped tyres may show unbonded surplus rubber at the tyre shoulder which may give the appearance of tread separation, this is not a deficiency.

When checking any tyre that appears to have been recut, it must be determined whether it has been recut to the manufacturer's recut tread pattern. It is often difficult to identify tyres which have been skilfully recut, but extra care should be taken to check for exposure of the ply or cord at the bottom of the grooves.

Recut tyres can only be fitted to motor vehicles with an unladen weight of 2540kg or more and to trailers with an unladen weight of more than 1020kg.

The original tread pattern means:

- On a re-treaded tyre the tread pattern immediately after the tyre was retreaded.
- On a recut tyre the manufacturer's recut tread pattern.
- On a partly recut tyre, the part which has been recut the manufacturer's recut tread pattern, on the other part the tread pattern when new.
- On any other tyre the tread pattern of the tyre when new.

When checking the tread pattern the "Breadth of Tread" is to be taken as that part of the tyre which can contact the road, under normal use, measured across the tyre.

The following should be disregarded when deciding which grooves need to be checked in regard to the "original tread pattern".

- Grooves which wear out before the main grooves are worn.
- Other minor features such as sipes, small lateral extensions to the circumferential grooves and minor lateral grooving on the shoulders.

Minimum tread depths applicable are shown in the table below:

Design gross weight of vehicle or trailer	Over 3500kg	3500kg or less
Minimum tread depth	1mm, excluding any tie bar or tread wear indicator	1.6mm, excluding any tie bar or tread wear indicator
Position of minimum tread depth band	Form a continuous band covering at least any 3/4 of the breadth of the tread around the entire circumference	Form a continuous band covering the central 3/4 of the breadth of the tread around the entire circumference

Deficiency 1g, where the base of any groove of the original tread pattern is not clearly visible is only applicable to vehicles with DGVW greater than 3500kg.

The following diagrams show acceptable positions of the minimum tread depth band, for vehicles over 3500kg design gross weight, which must be measured at right angles to the axis of the wheel. Figures 1-4 show cambered wear and Figure 5 shows more detail of how the tread band is measured. For vehicles of 3500kg or less the band is the central 3/4 of the breadth of tread and it is not necessary for tread depth to be visible on the remainder.

Figure 6 shows that for certain cross-country tyres that may be necessary to accept that the band of acceptable tread pattern may include a plain portion in the centre.

Figures (1), (2), (3) and (4) T= Breadth of Tread
 $\frac{3}{4} T$ = Minimum width of continuous band.

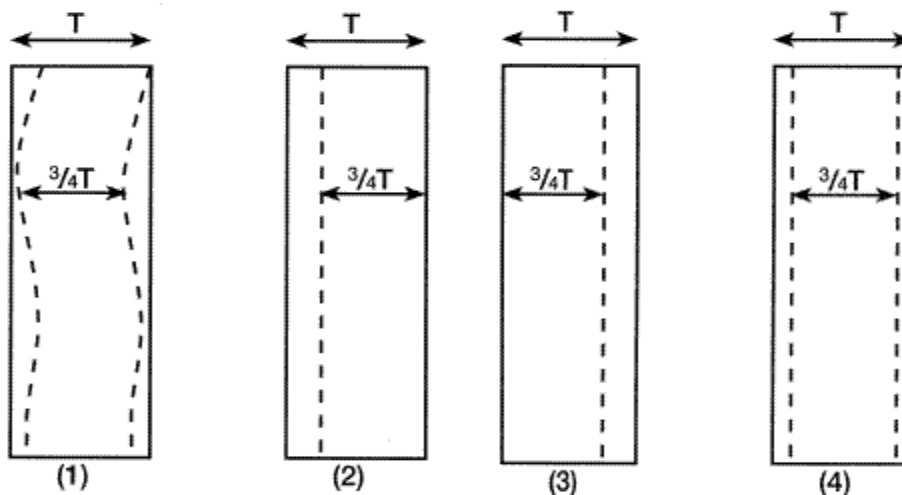
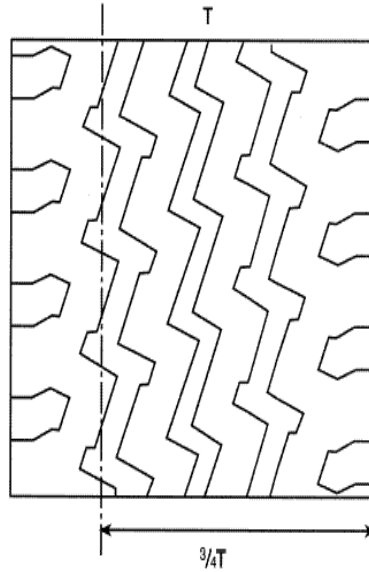


Fig (5)

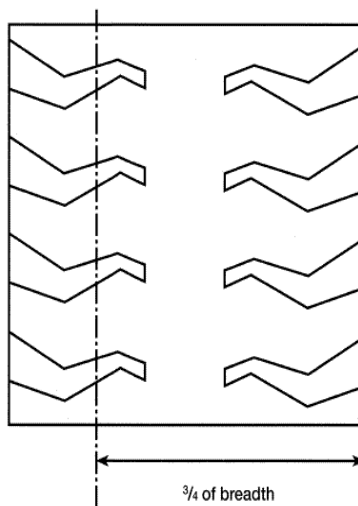


In this case the lateral grooves are the same depth as the circumferential groove and are included in the $\frac{3}{4}$ measurement.

The breadth of the tread is 'T'.

The $\frac{3}{4}$ of 'T' measurement can be taken over 'T' as in figure 1 to 4.

Fig (6)



This tyre only has lateral grooving

The band of acceptable tread pattern includes the plain portion which existed when the tyre was new. The remaining tread area should contain grooves to the depth of 1 mm.

If any tread wear indicator is level with corresponding tread, measure tread depth before deciding if the tread is below the acceptable limit.

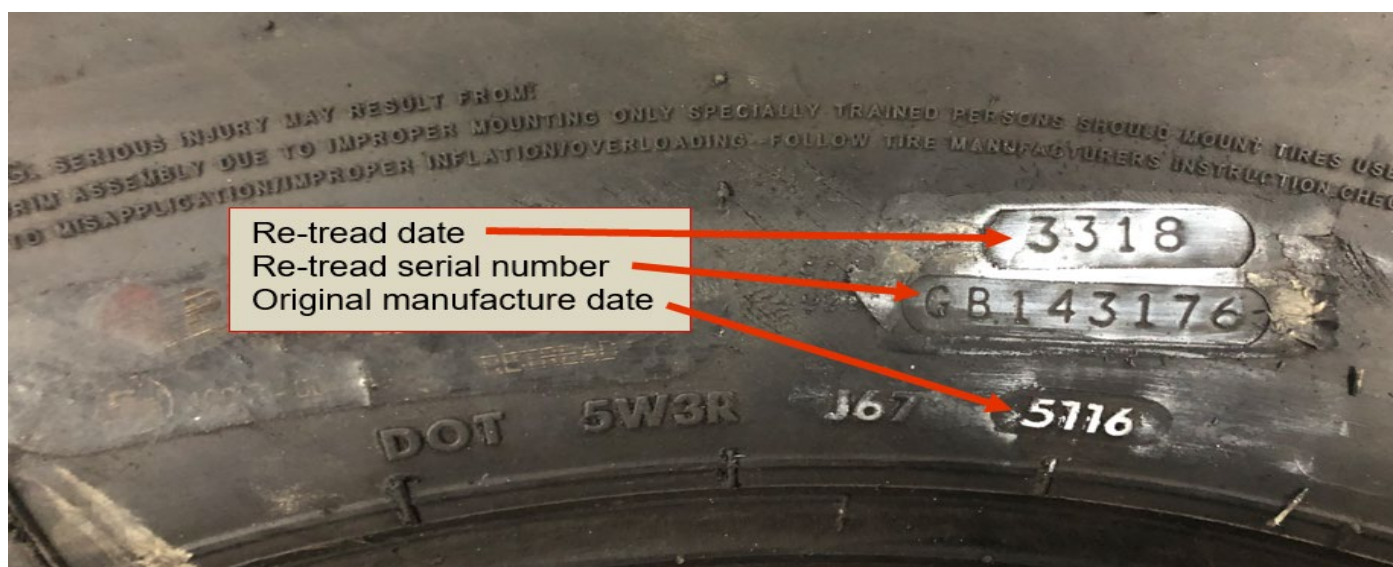
Tyre Age Markings

All tyres must be marked with the date of manufacture, this is represented by a four-digit code. The first and second digits represent the week of manufacture, the third and fourth digits represent the year.

For tyres manufactured before 01 January 2000, the date may be indicated by a three-digit code. The first and second digits represent the week of manufacture, the third digit represents the year, these will be in-excess of 10 years old.

The date code is only required to be marked on one sidewall and can usually be found at the end of the DOT (Department of Transportation) marking on original manufactured tyres.

Retread or recapped tyres may be marked with two date codes, the original manufacture date, and the date of remanufacture, the most recent date must be used when assessing tyre age.



Tyres not displaying a date code would normally be a deficiency. However, date codes are only required to be marked on one side of the tyre so it may not be possible to see the date code on some twin wheel fitments. Under these circumstances you should assume the date code is present and the tyre age is acceptable.

If the date code shows the tyre age to be over 10 years old this will be a deficiency:

Example: Date of Vehicle examination 01 February 2021 which is week 06 (**0621**).

- A tyre marked **0611** will pass as it is not more than 10-years old.
- A tyre marked with the date code **0511** (or older) will be a deficiency as it is more than 10-years old.

When assessing tyre age, front steered axles are those deemed to be forward of the chassis midpoint and directly controlled by the vehicle steering system.

Presenters should be advised if any tyres fitted are between 9 and 10 years of age.

Deficiency	Deficiency Category
<p>1 A tyre:</p> <p>a. with a cut which is deep enough to reach the ply or cords, and is more than 25mm long, or 10% of the section width, whichever is greater.</p> <p>b. with a lump, bulge or tear caused by separation or partial failure of its structure, including any lifting of the tread rubber.</p> <p>c. with exposed ply or cord.</p> <p>d. (i) rubbing on any part of the vehicle.</p> <p> (ii) fouling on any part of the vehicle and safe driving not impaired.</p> <p> (iii) fouling on any part of the vehicle and safe driving is impaired.</p> <p>e. incorrectly seated on its wheel.</p> <p>f. obviously underinflated.</p> <p>g. where the base of any groove of the original tread pattern is not clearly visible.</p> <p>h. where the minimum tread depth and tread band requirements are not met.</p> <p>i. in excess of ten years of age fitted to any front steered axle of a vehicle.</p> <p>j. with a date of manufacture code illegible or not displayed:</p> <p> (i) on any axle (excluding a front steered axle).</p> <p> (ii) to any front steered axle of a vehicle.</p>	<p>Major</p> <p>Dangerous</p> <p>Dangerous*</p> <p>Minor</p> <p>Major</p> <p>Dangerous</p> <p>Major</p> <p>Minor</p> <p>Major</p> <p>Dangerous*</p> <p>Dangerous</p> <p>Minor</p> <p>Major</p>
<p>2 A recut tyre:</p> <p>a. fitted to a vehicle which should not have one.</p> <p>b. on which the wholly or partly recut tread pattern is not to the manufacturer's recut tread pattern.</p>	<p>Major</p> <p>Major</p>

Heavy Goods Vehicle Inspection Manual
09 Sideguards, Rear Under-Run Devices & Bumper Bars

Application

SIDEGUARDS

Motor Vehicles first used from 1 April 1984 with a design gross weight exceeding 3,500kg and where the distance between the centres of any two consecutive axles exceeds 3m;

Trailers manufactured from 1 May 1983 with an unladen weight exceeding 1,020kg and where the distance between the centres of any two consecutive axles exceeds 3m; or in the case of a semi-trailer, where the distance between the centre of the kingpin position and the centre of the foremost axle exceeds 4.5m.

Semi-Trailers manufactured before 1 May 1983 which have a gross weight exceeding 26,000kg and which form part of an articulated vehicle with a gross train weight exceeding 32,520kg and where the distance between the centre of the kingpin and the centre of the foremost axle exceeds 4.5m. Where more than one kingpin is fitted, it is the distance from the rearmost position which is taken into account.

Exempted Vehicles:

- A vehicle or trailer constructed so that it can be unloaded by part of the vehicle being tipped sideways or rearwards.
- A vehicle or trailer designed solely for use in connection with street cleaning, the collection/disposal of refuse or the contents of gullies/cesspools. (Skip carrying vehicles are classed as refuse vehicles and as such are exempt).
- A trailer specially designed and constructed, and not merely adapted, to carry round timber, beams or girders, being items of exceptional length.
- Articulated Tractor units.
- A vehicle or trailer specially designed and constructed, and not merely adapted, to carry other vehicles loaded onto it from the front or rear (*Vehicles with a standard horizontal body fitted with a "beaver tail" are not exempt*).
- A trailer with a load platform which is not more than 750mm from the ground throughout that part of its length under which a sideguard would have to be fitted.
- A semi-trailer incorporating a sliding bogie.
- Category T vehicles.
- A **rigid motor vehicle** or **trailer** designed for and constructed for the special purpose of carrying long (but not exceptionally long) timbers from an off road location in a forest.

To fulfil this definition the vehicle must meet the following criteria:

- a. It must be of skeletal construction.
- b. It must have a minimum of two upright side supports (sidebolsters) fitted to each side of the vehicle.
- c. It must not be fitted with a load platform, other than chassis rails, cross bearers and the minimum amount of flooring necessary to protect wiring or brake line components.

It is permissible for the vehicle to be fitted with the following:

- Loading equipment i.e. a Hiab crane or similar device.
- Cross bearers that do not have upright side supports.

For Vehicles of a specialised design or use characteristics see interpretation of terms section.

This list is not exhaustive but covers the vehicles likely to be encountered within the testing scheme.

Sideguards can be manufactured & tested to any of the following standards:

The Road Vehicles (Construction and Use) Regulations 1986 as amended. Directive 89/297/EEC or The technical requirements of the Directive 89/297/EEC.

REAR UNDER-RUN DEVICES

Rear under-run devices are applicable for motor vehicles with a gross design weight exceeding 3,500kg and first used from 1 April 1984; or

Trailers manufactured from 1 May 1983 with an unladen weight exceeding 1,020kg

Exempted vehicles:

- Articulated Tractor units.
- A vehicle or trailer fitted at the rear with apparatus specially designed for spreading material on a road.
- A vehicle or trailer so constructed that it can be unloaded by part of the vehicle being tipped rearwards.
- A vehicle or trailer specially designed and constructed, and not merely adapted, to carry other vehicles loaded onto it from the rear (*Vehicles with a standard horizontal body fitted with a "beaver tail" are not exempt.*)
- A trailer specially designed and constructed, and not merely adapted, to carry round timber, beams or girders, being items of exceptional length.
- A vehicle or trailer fitted with a tail lift so constructed that a lift platform, with a minimum length of 1m, forms part of the floor of the vehicle.
- A vehicle specially designed, and not merely adapted, for the carriage and mixing of concrete.
- A vehicle fitted at the rear with specially designed apparatus where the fitment of under-run would interfere with its operation.
- Category T vehicles.

This list is not exhaustive but covers the vehicles likely to be encountered within the testing scheme.

For Vehicles of a specialised design or use characteristics see interpretation of terms section.

BUMPER BARS

This inspection applies to all vehicles and trailers except category T vehicles.

Procedure and standards

SIDEGUARDS

Vehicles equipped with cranes, it is not practicable to fit sideguards in the area of the crane and its controls. When assessing such vehicles/trailers you need to take account of the following;

Vehicles fitted with an extendible device or leg to provide stability during loading, and equipped with loading devices and controls, which makes it impracticable to fully comply with the sideguard legislation, will be deemed compliant provided sideguards are in place to the fullest extent practicable. All vehicles must be presented for statutory test with any such devices in the stowed position.

Vehicles with access and a working platform adjacent to, and necessary for, the operation of a loading device, shall be regarded as a load carrying platform for sideguard compliance forward of the extendible device or leg.

Acceptable circumstances are when other items on the vehicle such as fuel tanks, work boxes etc which by virtue of their shape and characteristics conform to the requirements of a sideguard.

Trailers manufactured before 1 May 1983 will not be refused if sideguards are not fitted, but the driver/operator notified that they may be required under certain circumstances.

Sideguards fitted to vehicles/trailers that do not require them will only be checked for deficiencies (a) security, (c) sharp edges/projections and (g) increasing overall width.

The continuous vertical rail or turn in may not be required if the front edge of the sideguard is within 100mm of a permanent structure of the vehicle (vehicle cab/wheel arch).

Sideguard Construction

- The guard should be as continuous as possible and the outermost surface smooth, essentially rigid and either flat or horizontally corrugated, but can be split into rails. Rails must be flat faced on the outside, (N2/O3 vehicles/trailers) minimum 50mm, (N3/O4 vehicle/trailers) minimum 100mm (but can be wider), and the distance between them not more than 300mm. Parts of the guard may be detachable for access, but must be securely fixed when the vehicle is in use. Where the guard is not continuous from front to rear; adjacent parts can overlap provided that the overlapping edge faces rearwards or downwards; or a gap of not more than 25mm measured longitudinally may be left, provided that the rearward part does not protrude outboard of the forward part.
- The front edge of the guard must have a continuous surface extending back for (N2/O3 vehicles/trailers) minimum 50mm; (N3/O4 vehicle/trailers) minimum 100mm, for both ranges of vehicles the turning inwards is 100mm.
- On occasions a single rail may fulfil this requirement and it will be sufficient that the forward face only covers the depth of the rail.

N₂ vehicles are vehicles over 3500kg but does not exceed 12000kg DGVW.

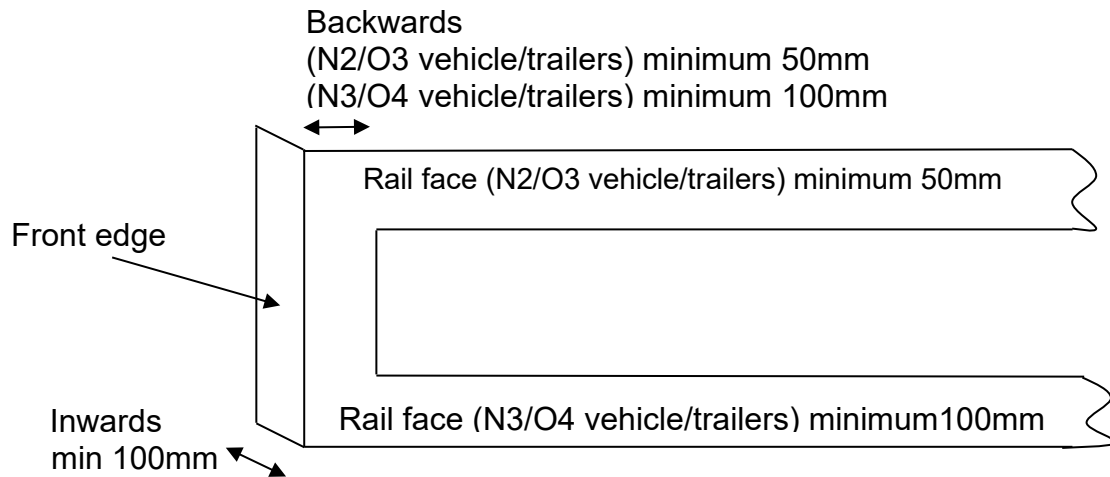
N₃ vehicles are vehicles that exceed 12000kg DGVW.

O₃ trailers are trailers over 3500kg but does not exceed 10,000kg TAW.

O₄ trailer are trailers which exceed 10,000kg TAW.

DGVW = Design Gross Vehicle Weight

TAW = Total Axle Weight



Distance of Guard from Front Wheels (or landing legs) and Rear Wheels

Motor Vehicles

The front edge of the guard must not be more than 300mm from the tyre on the front wheel (or second wheel if two front axles) and the guard must extend to within 300mm of the tyre on the first rear axle.

Draw-Bar Trailer

The front edge of the guard must not be more than 500mm from the tyre on the front wheel and the guard must extend to within 300mm of the tyre on the rear wheel.

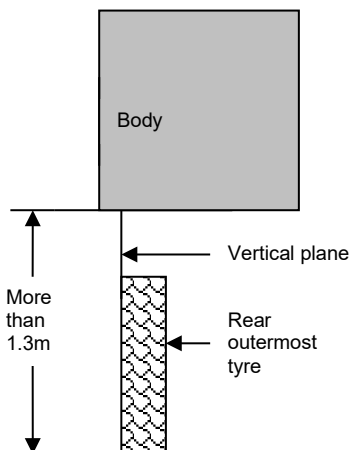
Semi-Trailer

The front edge of the guard can be up to 250mm behind the centre line of the landing legs, but never more than 3m behind the centre of the king pin (in its rearmost position) and the guard must extend to within 300mm of the tyre on the first rear axle.

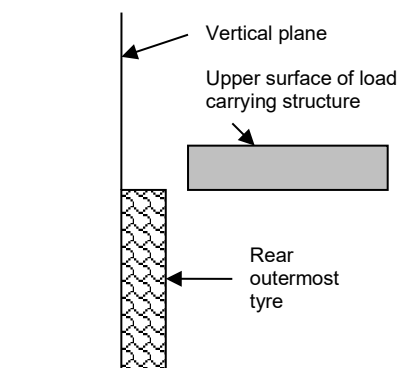
Minimum Height to Top Edge

To determine the height to the top edge, it is necessary to imagine a vertical plane parallel to the vehicle centre line and just touching the outer edge of the outermost rear tyre (neglecting the bulge). The line where the vertical plane cuts the structure of the vehicle is taken as the datum and may not be straight, but will move up and down as the plane cuts through transverse floor members etc.

The upper edge of a sideguard shall not be more than 350mm below that part of the structure of the vehicle, cut or contacted by a vertical plane tangential to the outer surface of the tyres, excluding any bulging close to the ground except in the following cases.



Where the tangential plane cuts the structure of the vehicle at more than 1.3m above the ground, then the upper edge of the sideguard shall not be less than 950mm above the ground.



Where the tangential plane does not cut the structure of the vehicle, the upper edge shall be level with the surface of the load carrying platform, or 950mm from the ground, whichever is the less.

Tangential plane should be taken as a line from the outermost edge of the rear tyre(s) excluding the bulge due to the weight of the vehicle.

Lateral Projection

The guard must not project beyond the outside edge of the vehicle, and it must not be more than 150mm inside the outermost plane of the vehicle (Maximum width). The last 250mm of the sideguard, at the rear, must be no more than 30mm from the outer edge of the outermost rear tyre.

Components in the Sideguard Area

In general, the regulations do not allow for the sideguard run to be broken, if components such as fuel tanks and air reservoirs intrude, the components should be sited such that they do not interfere with the sideguard run. However, components may be incorporated if, by virtue of their shape and characteristics, they conform in all respects to the sideguard requirements. Where the guard is not continuous from front to rear; adjacent parts can overlap provided that the overlapping edge faces rearwards or downwards; or a gap of not more than 25mm measured longitudinally may be left, provided that the rearward part does not protrude outboard of the forward part.

Note: Protrusions from such components within the sideguard run must conform to all the side guard requirements. Protrusions from these components not within the side guard run (i.e. between the sideguard gaps do not need to conform to the standards.

If the sides of the vehicle are so designed and/or equipped, that by virtue of their shape and characteristics the component parts together meet the requirements, they may be regarded as replacing the sideguards.

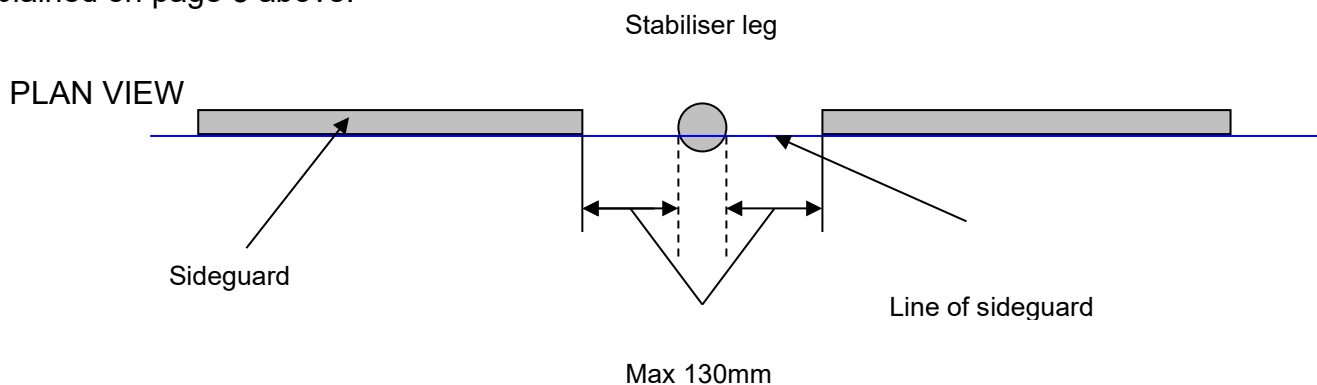
Where a vehicles body meets the dimensional requirements (dimensional being, min. & max. height from the ground, plus the distance from rear of front wheel or landing leg and front of rear wheel) for sideguards these will be deemed to be met, however where only part of the body meets the requirements, side guards must be fitted in the remaining appropriate areas.

Chassis Mounted Cranes

Where cranes are fitted across the chassis the extendible legs are normally stowed and operate through the sideguard run.

The sideguard rail or rails are required to come within a distance of 130mm of the leg at each side, thus allowing working room.

When assessing such vehicles/trailers, consideration must be given to the crane and platforms explained on page 3 above.



The diagram is only to illustrate the dimensions allowed between the stabiliser leg and a sideguard; it is not the intention that the stabiliser leg should be stowed in this position.

Sideguard Material

There is no legislation regarding the materials used for sideguards although there are regulations covering strength and deflection of these components. None of these however are subject to test.

Protrusions

Protrusions (on the side guard outer faces) such as rivet or bolt heads are acceptable provided that they do not exceed 10mm and are suitably domed.

External corners and edges must not expose any sharp edge. Missing end caps are not a deficiency, but where this exposes a sharp edge on an external corner this is a deficiency.

Orange reflective strips are acceptable if fitted to sideguards provided that the front edge is rounded and it does not protrude more than 10mm.

Short Bodied Vehicles

Vehicles which have shortened bodies to facilitate the fitting of plant equipment usually have a large gap between the back of the cab and the body. There may therefore be a considerable length of sideguard area not covered by the body. In these cases the height of the guard covered by the body is the normal 350mm max below the structure, but the height of the guard in the area not covered by the body must be no lower than the body floor or 950mm whichever is the lowest and may require more than 1 rail.

Type Approved Sideguards

If the presenter claims that the vehicle or trailer is fitted with type approved sideguards (this will most often be on an imported trailer) which comply with the requirements of the EC directive, the presenter should be asked to provide documentary evidence. Although the standards are to accept sideguards made to the directive but not necessarily approved it may assist to identify those vehicles/trailers which are known to be approved, these are:

Trailer Make

Hellbender

Magyar

Model

EUT, KIP, KIS, TSA, MUL, CONC.

All models type approved.

Vehicle Make

Mercedes-Benz

Model

Atego.

Tankers

It is recognised that there are practical problems in the fitting of sideguards to some tankers and there can be differing views over what constitutes "so far as is practicable".

A. Tankers which Convey Dangerous Substances

Vehicle Safety Division, the Society of Motor Manufacturers and Traders and the British Tank Manufacturers Technical Committee agreed on the design layout specification for sideguards on these vehicles. This agreement is summarised in the drawings that follow. In all other respects the guards must conform to the regulations.

B. Skeletal Trailers Carrying Frameless Tanks (i.e. a tank or container which does not have a lower side rail or rave).

Sideguards fitted to skeletal trailers carrying frameless tanks must incorporate a top rail, the upper edge of which should be at least 950mm from the ground or to the height of the trailers upper tank carrying surface (e.g. twist locks) if this is less than 950mm.

C. Milk Tankers with External Cylindrical Tubes for Stowage of Hoses

An external cylindrical tube permanently fitted longitudinally to the side of a vehicle and intended for the stowage of a hose, can for the purpose of the sideguard positional requirements be considered part of the body.

This only applies to that side of the vehicle fitted with the cylindrical tube and where the tube completely extends over the length of the vehicle required to be fitted with sideguards. Any other type of hose support, e.g. rack or tray, should not be considered part of the bodywork.

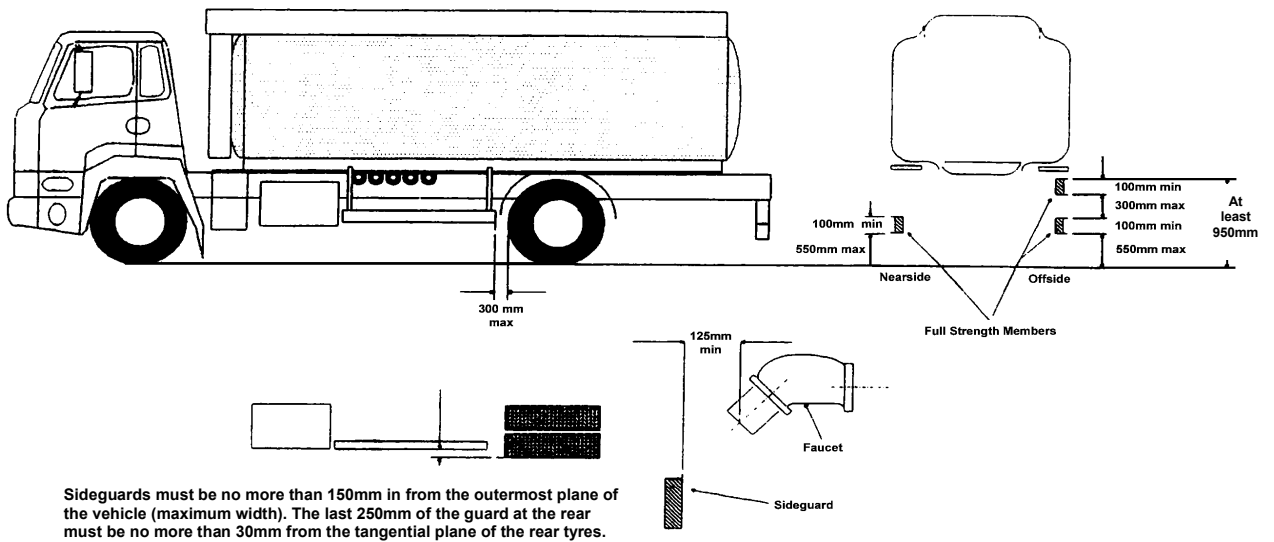
D. Hose Racks

With the exception stated at "C" above, a hose rack fitted to a vehicle or trailer should be disregarded when making an assessment as to whether the body cuts the vertical plane as in the section dealing with Maximum Height to Top Edge.

It is however permissible for the hose rack to be taken as part of the sideguard if it meets the dimensional requirements.

Figure 1

Fitting Sideguards to N/S when Battery Box and Meter Equipment Fitted.

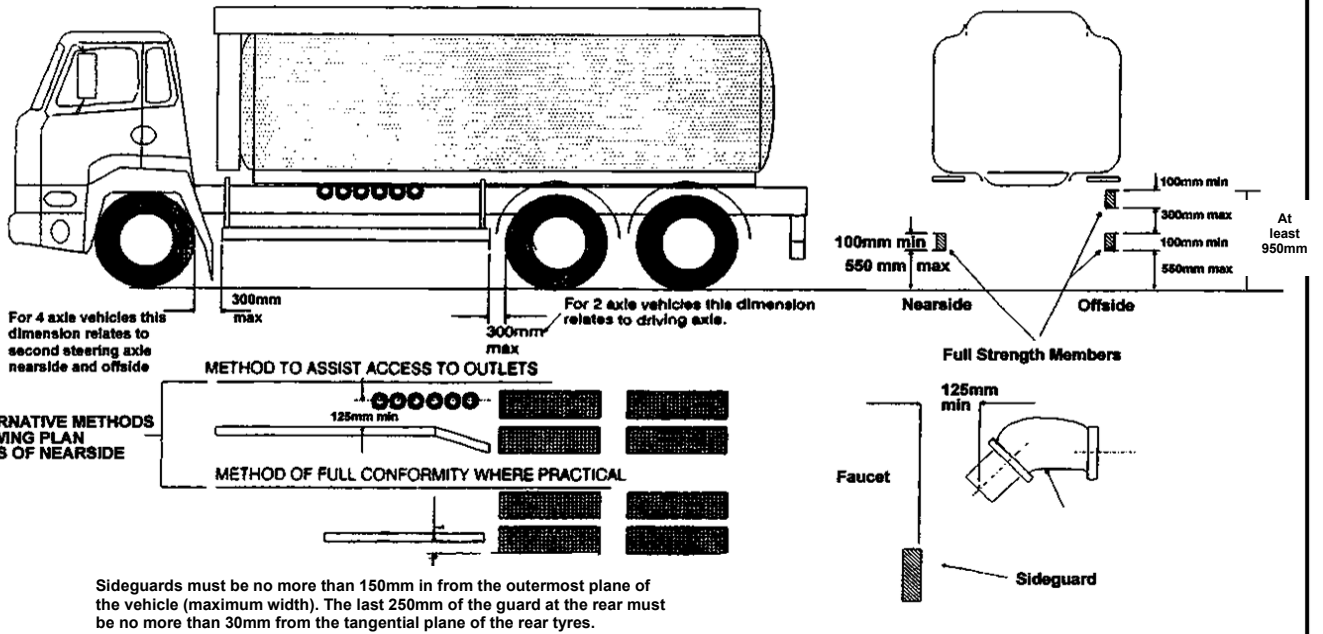


Sideguards must be no more than 150mm in from the outermost plane of the vehicle (maximum width). The last 250mm of the guard at the rear must be no more than 30mm from the tangential plane of the rear tyres.

Figure 2

Fitting Sideguards - Maximum Section Tanks - Side Outlets

Typical spirit tanker shown rigid type 2,3 or 4 axle

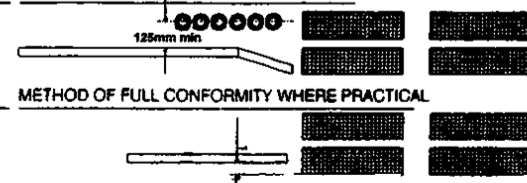


For 4 axle vehicles this dimension relates to second steering axle nearside and offside

For 2 axle vehicles this dimension relates to driving axle.

METHOD TO ASSIST ACCESS TO OUTLETS

ALTERNATIVE METHODS SHOWING PLAN VIEWS OF NEARSIDE



Sideguards must be no more than 150mm in from the outermost plane of the vehicle (maximum width). The last 250mm of the guard at the rear must be no more than 30mm from the tangential plane of the rear tyres.

Figure 3
Fitting Sideguards — **Maximum Section Tanks** — **Side Outlets** — **Side Ladder**
 — **Meter Box and Reel**

Ladders encroaching into the sideguard area must comply with the side guard regulations (not applicable to fluid tankers)

Typical spirit tanker shown rigid type 2, 3 or 4 axle

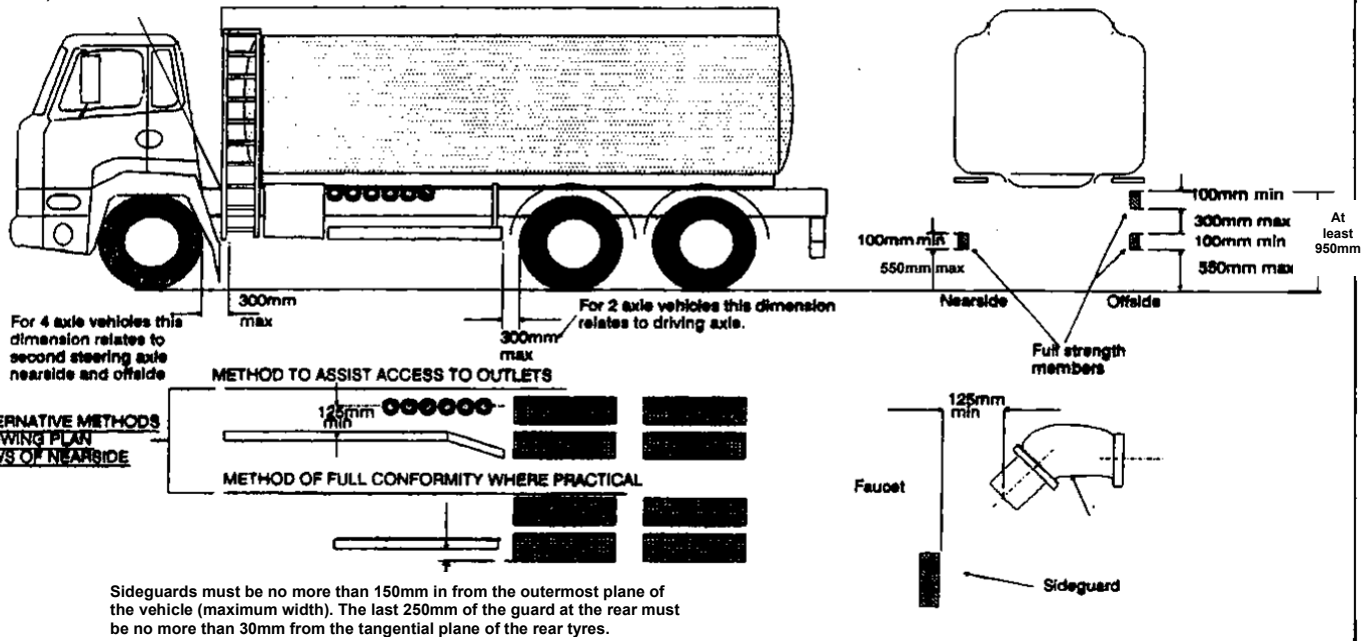


Figure 4
Fitting Sideguards — **Maximum Section Tanks** — **Side Outlets** — **Rear Ladder**
 — **Meter Box and Reel**

If battery box substantially fills the gap between the cab and the meter box sideguards can be omitted.

Typical spirit tanker shown rigid type 2, 3 or 4 axle

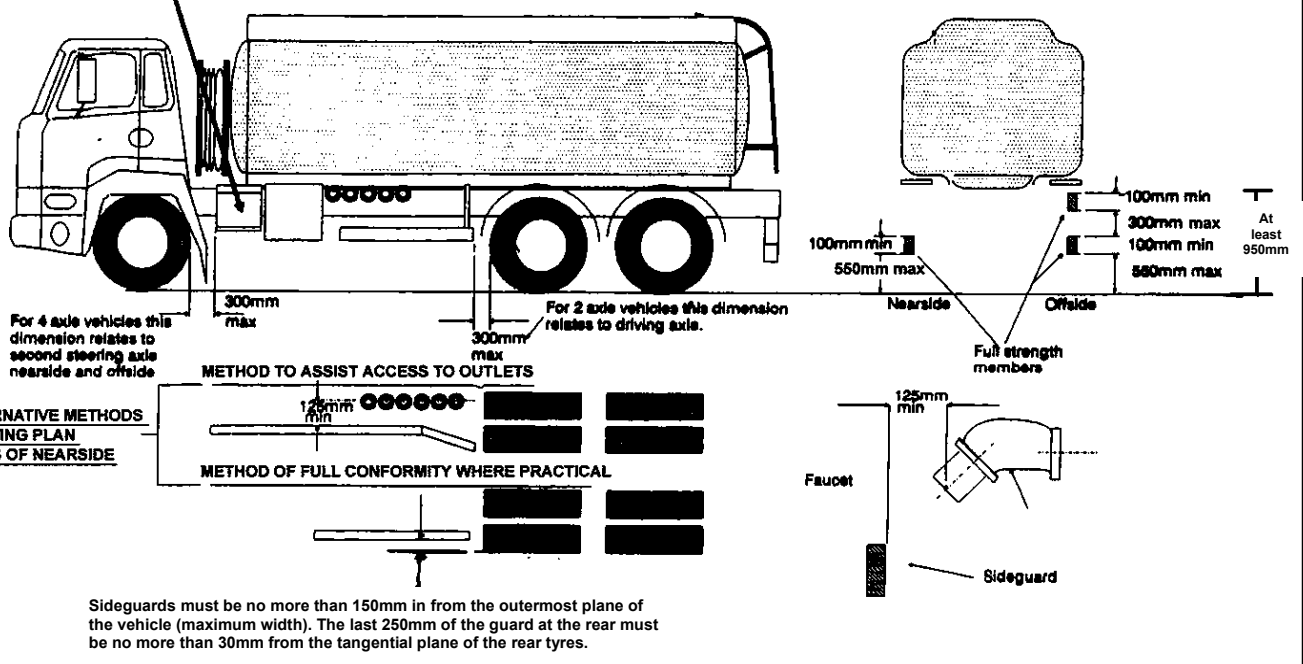


Figure 5
Fitting Sideguards — Narrow Section Tanks — Semi-trailer

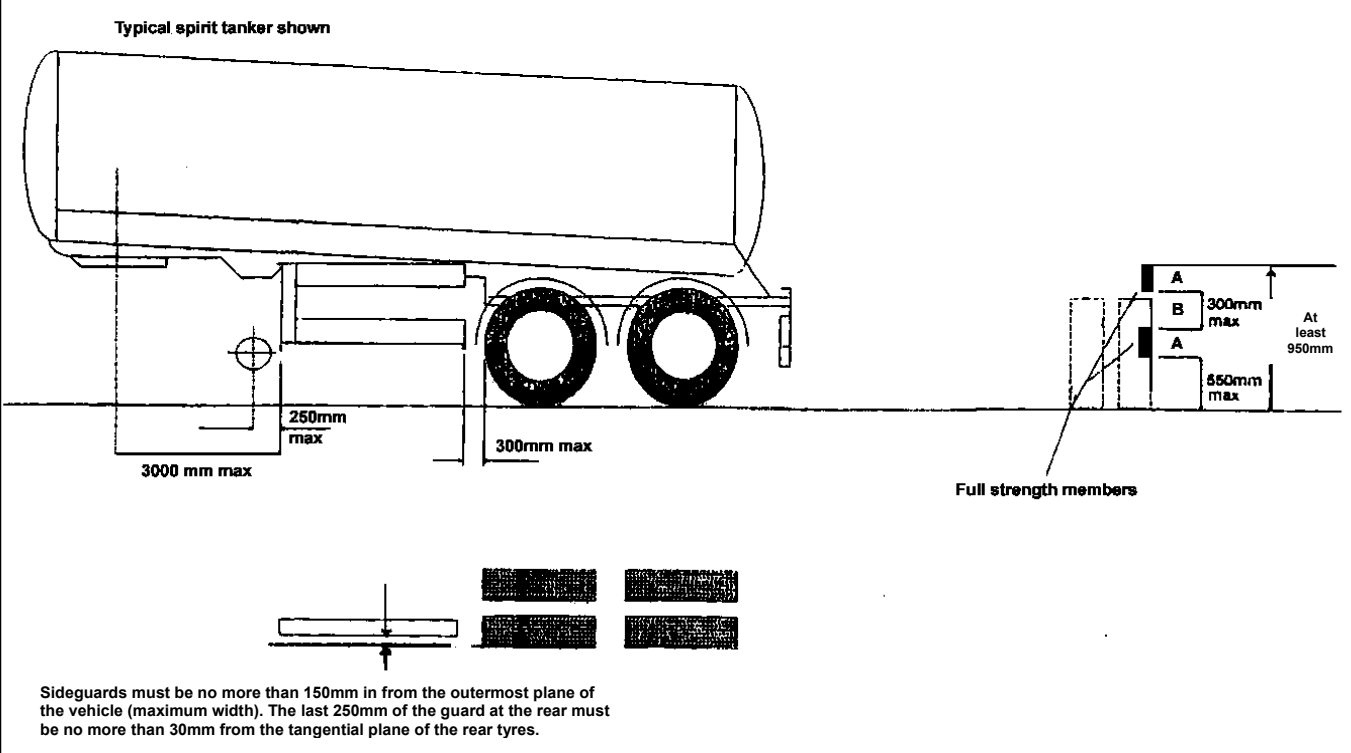
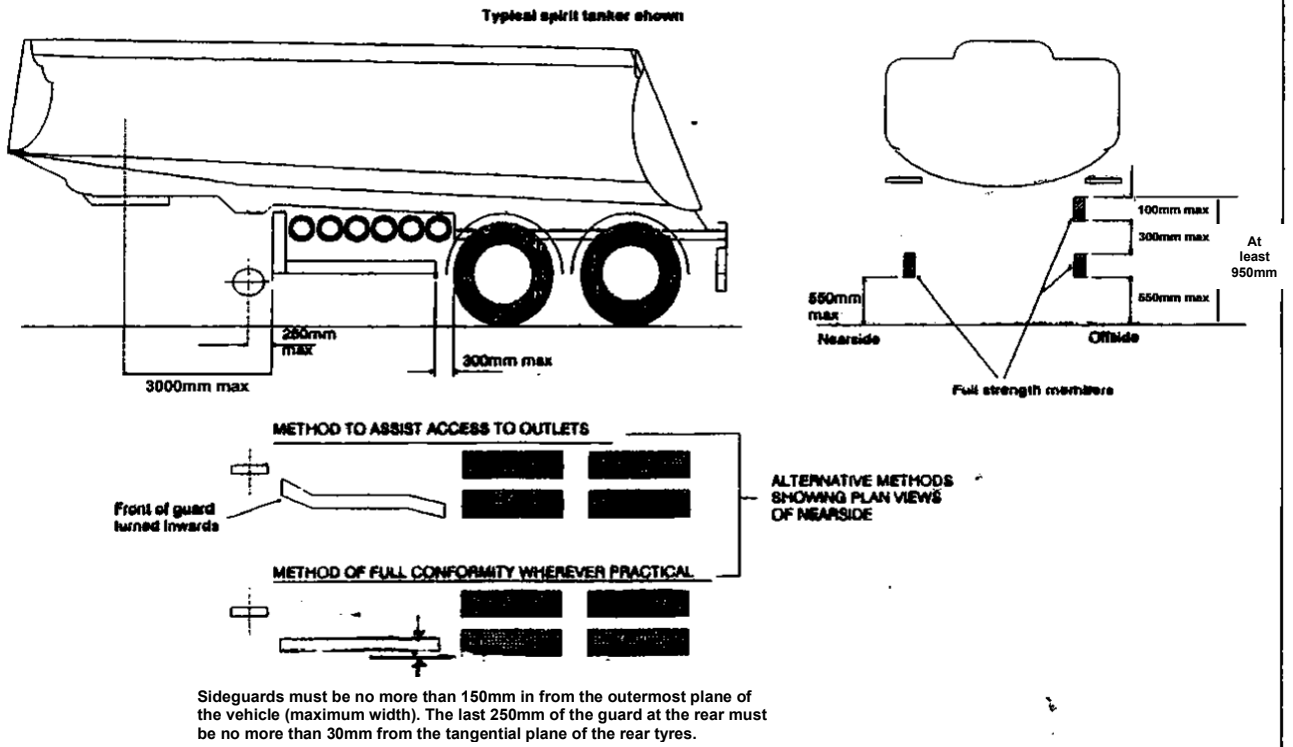


Figure 6
Fitting Sideguards — Maximum Section Tanks — Side Outlet — Semi-trailer



REAR UNDER-RUN DEVICES

If a vehicle has a rear tail lift, where the rear uprights for the tail lift are separated from the rear under-run, the uprights are not to be taken as part of the under-run device.

Vehicles equipped with rear tail lifts are allowed to have gaps between the rear under-run rails. Gaps are permitted up to 500mm between rear under-run rails.

Vehicles with tail lifts may be fitted with a guard up to 300mm wider than the outer edge of the outermost rear tyre provided it is no wider than the outer edge of the vehicle.

Vehicles not required to be fitted with a rear under-run device but having one fitted are only to be inspected as if it was a bumper bar.

Where a rear under-run extends outside the width of the outermost rear tyre but is joined to a sideguard positioned to the rear of the tyre, this is not a deficiency.

Vehicles that have two rear axles where the rearmost one has a narrower track, the sideguard criteria needs to comply with the widest of the rear axles.

Vehicles with bodies that satisfy the dimensional requirements for rear under-run devices are considered acceptable.

It is acceptable for a rigid vehicle to be presented for annual test without a rear under-run device fitted when towing a trailer. However, the under-run device must be readily available for use when not towing a trailer.

BUMPER BARS

Vehicles are not required to have separate bumper bars, these may be incorporated into the body in some cases.

Deficiency	Deficiency Category
<p>1 A bumper bar or bracket which is:</p> <p>a. (i) insecure.</p> <p> (ii) insecure to the extent that detachment is imminent.</p> <p>b. has a jagged or projecting edge likely to cause injury.</p>	<p>Major</p> <p>Dangerous</p> <p>Major</p>
<p>2 Sideguards not fitted to a vehicle required to have them fitted.</p>	<p>Major</p>
<p>3 A sideguard or bracket:</p> <p>a. (i) insecure.</p> <p> (ii) insecure to the extent that detachment is imminent.</p> <p>b. cracked, fractured, corroded or damaged so that its effectiveness is reduced.</p> <p>c. with exposed surfaces which are not smooth (e.g. projecting brackets, jagged edges, bolt heads that are not dome shaped).</p> <p>d. with external corners or edges that are sharp.</p> <p>e. with incorrect dimensions.</p> <p>f. that is not continuous along the vehicle length in other than accepted circumstances.</p> <p>g. that increases the overall width of the vehicle.</p> <p>h. with more than 550mm height from the ground to the lowest edge of the guard. (vehicle unladen or semi-trailer load platform horizontal).</p>	<p>Major</p> <p>Dangerous</p> <p>Dangerous*</p> <p>Major</p> <p>Major</p> <p>Major</p> <p>Major</p> <p>Major</p> <p>Major</p>
<p>4 Rear under-run device not fitted to a vehicle required to have one fitted.</p>	<p>Major</p>
<p>5 Rear Under-Run Device:</p> <p>a. (i) insecure.</p> <p> (ii) insecure to the extent that detachment is imminent.</p> <p>b. cracked, fractured, corroded or damaged so that its effectiveness is reduced.</p> <p>c. that has a jagged edge.</p>	<p>Major</p> <p>Dangerous</p> <p>Dangerous*</p> <p>Major</p>

- | | | |
|----|--|-------|
| d. | with more than 550mm ground clearance (unladen). | Major |
| e. | which extends beyond the outer edge of the outermost rear tyre (see note in procedure and standards). | Major |
| f. | with the outer end of the device more than 100mm inboard of the outer edge of the outermost rear tyre (or more than 300mm inboard where a demountable body is fitted). | Major |
| g. | extends beyond the outermost width of the vehicle which is fitted with a tail lift. | Major |
| h. | incomplete. | Major |

Heavy Goods Vehicle Inspection Manual

10 Spare Wheel & Carrier

Application

This inspection applies to all vehicles and trailers fitted with an external spare wheel or carrier.

Procedure and standards

Check the spare wheel and carrier are secure, free from damage, and are correctly positioned.

Deficiency	Deficiency Category
<p>1 A spare wheel carrier:</p> <p>(i) not in proper condition.</p> <p>(ii) insecure, damaged or incorrectly positioned but not so that either is likely to fall from the vehicle.</p> <p>(iii) so insecure, damaged or positioned that it is likely to fall from the vehicle.</p>	<p>Minor</p> <p>Major</p> <p>Dangerous*</p>
<p>2 A spare wheel:</p> <p>(i) insecure, damaged or incorrectly positioned but not so that it is likely to fall from the vehicle.</p> <p>(ii) so insecure, damaged or positioned that it is likely to fall from the vehicle.</p>	<p>Major</p> <p>Dangerous*</p>

Heavy Goods Vehicle Inspection Manual

11 Vehicle to Trailer Coupling

Application

This examination applies to all vehicles fitted with a trailer coupling (at the front or at the rear) and to all trailers. This inspection also covers fifth wheel couplings mounted on converter dollies.

Procedure and standards

This examination applies to all vehicles fitted with a trailer coupling (at the front or at the rear) and to all trailers. This inspection also covers fifth wheel couplings mounted on converter dollies.

If the vehicle has a coupled trailer it must not be uncoupled.

To check for relative movement between the tractor and trailer apply the trailer brakes and ask the driver to lightly shunt the tractor back and forth.

When assessing wear/lift between bracket/bush or pin/bush consideration should be given to those bushes which have been designed to provide a cushioning effect in order to relieve shock loadings. The load when the bush is fully compressed is taken from the main plate directly onto the mounting bracket and therefore some degree of controlled lift, up to 8mm in some units is acceptable in the trunnion pin and bush (Up to 12mm lateral movement is acceptable in some cases in fifth wheel couplings, lateral movement of draw-bar turntable top plate movement relative to the lower plate should not exceed 10mm).

Wear should be considered excessive if a drawing hitch, bar, hook, eye, ball or ball socket has the metal reduced to $\frac{3}{4}$ of its original thickness.

If the inspection of the fifth wheel jaws is carried out without a trailer attached, then wear on the jaws in excess of 6mm would be considered a deficiency.

Many manufacturers determine gross train weights by the number and size of bolts fitted to fifth wheel bed plates and sub-frames, these bolts are therefore considered to be mandatory.

Examples of a secondary locking devices are:

- a. A dog clip and chain.
- b. Spring loaded pin between the operating handle and the body of the 5th wheel housing.
- c. Lever dropped behind the operating handle.

An optional third 5th wheel locking device such as a dog clip with a chain or wire from the secondary clip to a hole in the handle could be fitted. The chain or wire may only be there to assist the operator to unlock the secondary device. The absence of a chain/wire is not a deficiency if its only purpose is to prevent loss of the dog clip.

Heavy Goods Vehicle Inspection Manual

11 Vehicle to Trailer Coupling

c.	(i) jaws excessively, worn or out of adjustment.	Major
	(ii) jaws so worn or out of adjustment that the trailer kingpin would not be securely held.	Dangerous
d.	a safety locking device is missing or inoperative.	Major
e.	(i) an articulating bracket or pivot excessively worn or insecure.	Major
	(ii) an articulating bracket or pivot excessively worn or insecure to such an extent that detachment is likely.	Dangerous*
f.	any crack in a load bearing member.	Major
g.	an operating member insecure or worn to such an extent the coupling is unsafe.	Dangerous*

Heavy Goods Vehicle Inspection Manual
12 Trailer Parking and Emergency Brakes and Air Line Connections

Application

Parking and Emergency Brakes

This inspection applies to all trailers.

Air Line Connections

This inspection applies to **drawing vehicles first used from 1 April 1989 and all trailers.**

Procedure and standards

Emergency Brake and Air Line Connections:

- Ensure that the air reservoirs on the drawing vehicle are fully charged.
- With the vehicle parking brake on and the trailer parking brake **off**, ask the driver to disconnect the service (yellow) and emergency (red) brake lines.
- Check, on vehicles and trailers fitted with "C" type couplings, that the coupling in the service (yellow) line - either fitted to the trailer or in the line itself - is fitted with an operating adaptor which can open the self sealing coupling in the connector from the drawing vehicle.
- Check that the operating adaptor lifts the indicator on the test coupling by the correct amount. The waisted portion (coloured section) of the indicator must be exposed, but no more than this. This does not include additional couplings which may be used on trailers such as extendable types.
- Check that any brake line on the drawing vehicle is not fitted with a manual shut-off tap. Additional taps fitted to extendable trailers are not included in this inspection.

The driver must be instructed to reconnect all couplings before the vehicle is moved

When presented, the tractor unit must be compatible with the trailer and have a warning lamp to indicate that trailer ABS is working (This may be a combined ABS/EBS warning light). If presented with a compatible EBS tractor unit, if the red (emergency) line is dropped, the brakes may not come on. To apply the brakes disconnect the ISO 7638 electrical connection. Ensure that the handbrake is applied on the tractor unit before disconnecting the red (emergency) line and that safe working practices are followed.

Provided self sealing couplings are used on the tractor couplings it does not matter whether the air adaptor couplings are the conventional way or reversed.

Some park brake controls also deplete the air suspension systems when the red (emergency) air line is removed, this is acceptable provided it does not drain the air brake reservoir. If it does this is considered a deficiency under 5a of section 59.

Heavy Goods Vehicle Inspection Manual
12 Trailer Parking and Emergency Brakes and Air Line Connections

Deficiency	Deficiency Category
<p>1 Trailer parking brake:</p> <p> a. does not operate on at least two wheels.</p> <p> b. cannot be securely set.</p> <p> c. (i) mechanism worn.</p> <p> (ii) mechanism insecure, cracked, excessively worn or badly corroded.</p> <p> d. when fully applied the mechanism is at the end of its working travel or it is fouling adjacent parts of the vehicle.</p>	<p>Dangerous</p> <p>Dangerous</p> <p>Minor</p> <p>Major</p> <p>Major</p>
<p>2 Trailer emergency brake not applied automatically when the emergency brake line is disconnected.</p>	<p>Dangerous</p>
<p>3 Operating adaptor, to open self sealing coupling in service line:</p> <p> a. not fitted in service line.</p> <p> b. produces incorrect amount of lift.</p>	<p>Major</p> <p>Major</p>
<p>4 An airline fitted with a manual shut off tap.</p>	<p>Major</p>
<p>5 (i) Tap or sealing valve insecure, inadequately mounted or defective.</p> <p> (ii) Tap or sealing valve insecure, inadequately mounted or defective to such an extent the functionality is affected.</p>	<p>Minor</p> <p>Major</p>

Heavy Goods Vehicle Inspection Manual

13 Trailer Landing Legs

Application	
This inspection applies to all trailers fitted with landing legs.	
Procedure and standards	
Check for security of landing legs and any of its component parts. If any leg or part of a leg is missing it is not a deficiency.	
Deficiency	Deficiency Category
1 A landing leg or any component part so insecure that it is likely to fall from the vehicle.	Dangerous*

Heavy Goods Vehicle Inspection Manual
14 Spray Suppression, Wings and Wheel Arches

Application

Wings and Wheel Arches

This inspection applies to all vehicles and trailers.

Spray Suppression

This inspection applies to those vehicles shown below unless listed as exempt.

Motor Vehicles	Trailers
a. exceeding 12 tonnes design GVW, and first used from 1 April 1986.	a. exceeding 3.5 tonnes design GVW and manufactured from 1 May 1985.
	b. exceeding 16 tonnes design GVW with 2 or more axles, whenever manufactured.

Spray Suppression Exempted Vehicles:

- Motor vehicle where the driving power of its engine is, or can by use of its controls be, transmitted to all the wheels on at least one front axle and on at least one rear axle.
- Vehicles with a high ground clearance (400mm minimum).
- A vehicle specially designed and not merely adapted for the carriage and mixing of concrete.
- A vehicle or trailer constructed so that it can be unloaded by part of the vehicle being tipped sideways or rearwards.
- A vehicle or trailer designed solely for use in connection with street cleaning, the collection/disposal of refuse or the contents of gullies/cesspools (skip carrying vehicles are classed as refuse vehicles and as such are exempt).
- A trailer specially designed and constructed, not merely adapted, to carry round timber, beams or girders being items of exceptional length.
- Category G and T vehicles.
- A **rigid motor vehicle** or **trailer** designed for and constructed for the special purpose of carrying long (but not exceptionally long) timbers from an off road location in a forest.

To fulfil this definition the vehicle must meet the following criteria:

- a. It must be of skeletal construction.
- b. It must have a minimum of two upright side supports (sidebolsters) fitted to each side of the vehicle.
- c. It must not be fitted with a load platform, other than chassis rails, cross bearers and the minimum amount of flooring necessary to protect wiring or brake line components.

It is permissible for the vehicle to be fitted with the following:

- Loading equipment e.g. a Hiab crane or similar device.
- Cross bearers that do not have upright side supports.

This list is not exhaustive but covers the vehicles likely to be encountered within the testing scheme.

Tractor units drawing exempt trailers are not themselves exempt.

For Vehicles of a specialised design or use characteristics see interpretation of terms section.

Heavy Goods Vehicle Inspection Manual
14 Spray Suppression, Wings and Wheel Arches

Procedure and standards

Wings and Wheel Arches

Road wheels must have associated with them equipment or part of the body which, as far as is practicable, catches mud or water thrown up by the wheels as they rotate. Check that the wing covers the whole width of the tyre especially where wide “Super Single” tyres are fitted to the front axle.

A trailer used for or in connection with the carriage of round timber does not require the fitment of wings.

With regard to the requirements for wings and wheel arches, a vehicle may be passed without wings when a semi-trailer/body/ container is carried which fulfils the requirements of a wing i.e. a vehicle presented for annual test towing a trailer and the wing tops are not fitted on the vehicle due to the trailer being very close to the tyres. This is not a deficiency for wings or spray suppression providing the rotation of the wheels does not permit mud or water to be thrown directly on the road surface.

Mudflaps

If a mudflap is an extension to a wing or similar fitting, a missing or damaged mud flap **is not** a deficiency, unless the vehicle is required to have one to comply with spray suppression requirements.

Where a mudflap is fitted in place of a wing, i.e. it serves the purpose of a wing (as on some semi-trailers) it must be treated as a wing and be securely fixed to prevent excessive movement.

Spray Suppression

The test on spray suppression includes only a basic visual check for general compliance and it will normally not be necessary to take measurements.

Tractor units and Skeletal Vehicles/ Trailers must be fitted with complete wings to fulfil the spray suppression requirements.

Lifting axles are not exempt from the requirements and are therefore treated as a normal axle.

Vehicles/Trailers with Demountable Bodies

1. These are **not** exempt from the requirements. In some cases it will therefore be necessary for the body to be in place since the mudwing or valance is often attached.
2. Some **demountable bodies** can be unloaded by tipping, using a conventional ram attached to the vehicle. These are classed as tippers and are therefore exempt from the spray suppression requirements.

The 200mm flap height can be increased to 300mm for:

- any vehicle or trailer equipped with road friendly suspension.
- where a manufacturer has deemed it technically appropriate as permitted in 91/226/EEC and regulation EU 109/2011.
- the rear most flap height only, for trailers claimed to be used on **Ro-Ro ferry operations**.
- any axle where the radial dimension to the lower edge of the valancing, or wheel guard, is not greater than the radius of the tyre.

Heavy Goods Vehicle Inspection Manual

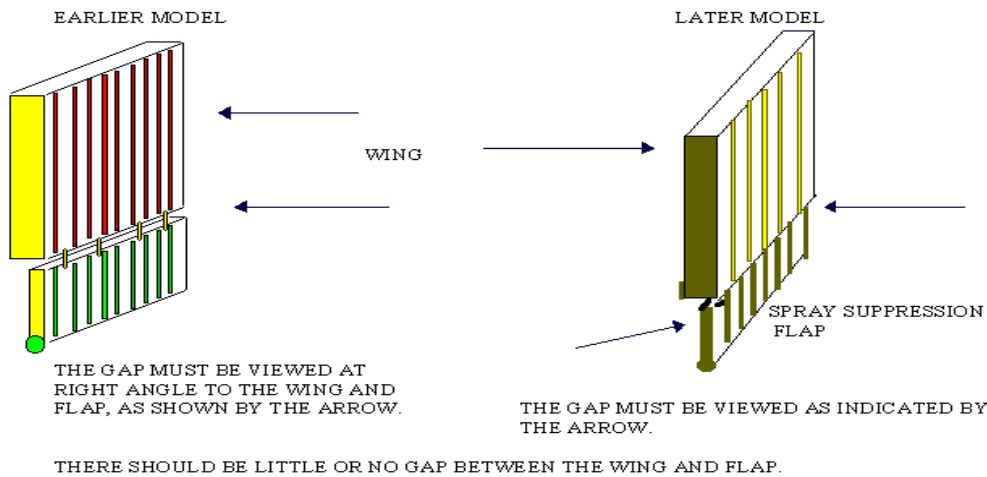
14 Spray Suppression, Wings and Wheel Arches

Deliberate modifications for attachment points for rope hooks are not acceptable and should be considered as incomplete.

The *width* of the flap should cover the full breadth of the tyre(s).

Vehicles/trailers first used from 1 April 2000 must have spray suppression that covers the **whole width** of the tyres. It is acceptable for vehicles/trailers before 1 April 2000 that the spray suppression will only cover the **tyre tread breadth**.

Earlier Mercedes Actros model ranges had gaps between the spray suppression flap top edge and the mud wing bottom edge (the edges were not parallel with each other); these do not comply with the spray suppression requirements and should be considered a defect. The later models do comply because the gap is at the same level as the mud wing thus containing the spray thrown up by the rotation of the wheel (see below).



On trailers where all the wheels steer, it may appear to be incompatible to fit spray suppression, these vehicles are not exempt but spray suppression only needs fitting as far as it is practicable.

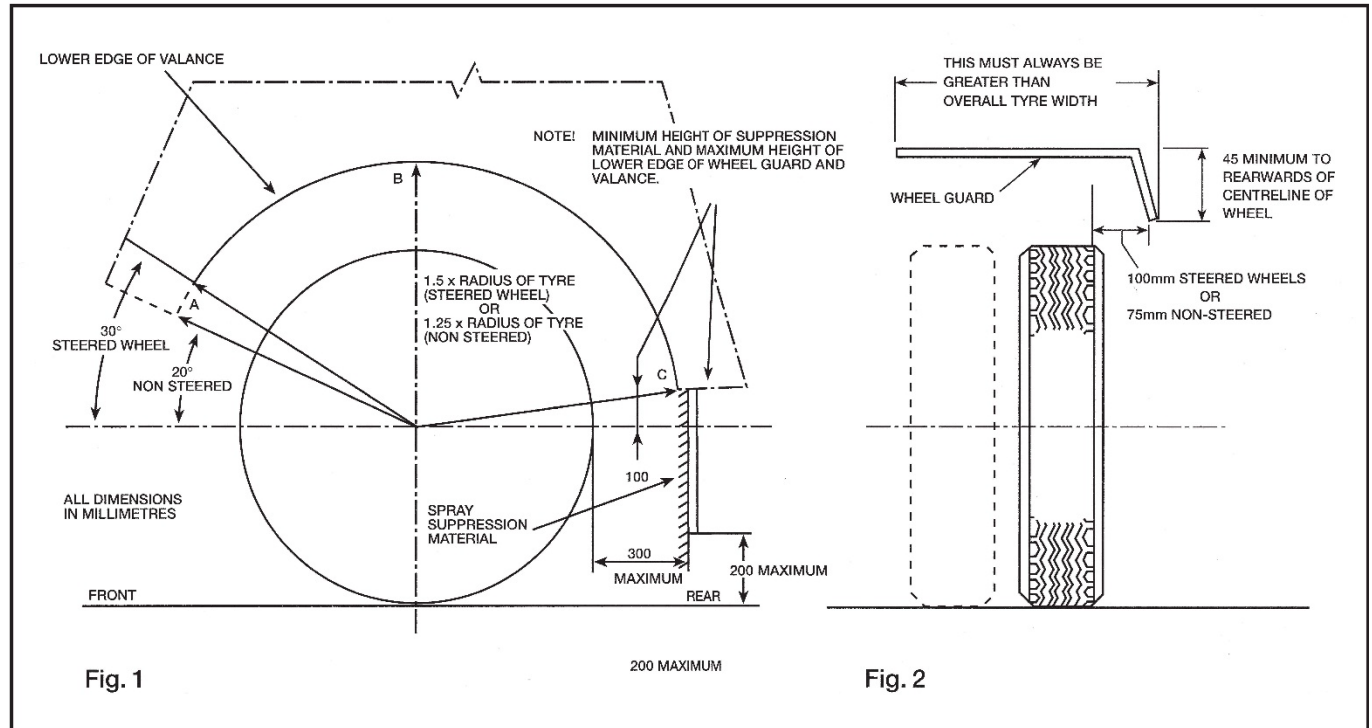
Heavy Goods Vehicle Inspection Manual

14 Spray Suppression, Wings and Wheel Arches

Conventional Mudwing Types of Wheel Guards

Single Axle Arrangements or Multi-axle arrangements where distance between wheels is greater than 300mm.

The lower edge of the outer valance shall not exceed $1.5 \times$ tyre radius on steerable wheels or $1.25 \times$ tyre radius on non-steerable wheels at points A, B and C.



Wheel Flaps

Wheel flaps must be fitted behind each wheel and should cover the full breadth of the tyre(s) and be mounted to the wing without gaps that would permit the exit of spray.

Suppression material must be fitted to:

- the forward face of the flap and
- to the forward face of that part of the wing (guard) if it reaches below a line 100mm above a line projected from the wheel centre line.

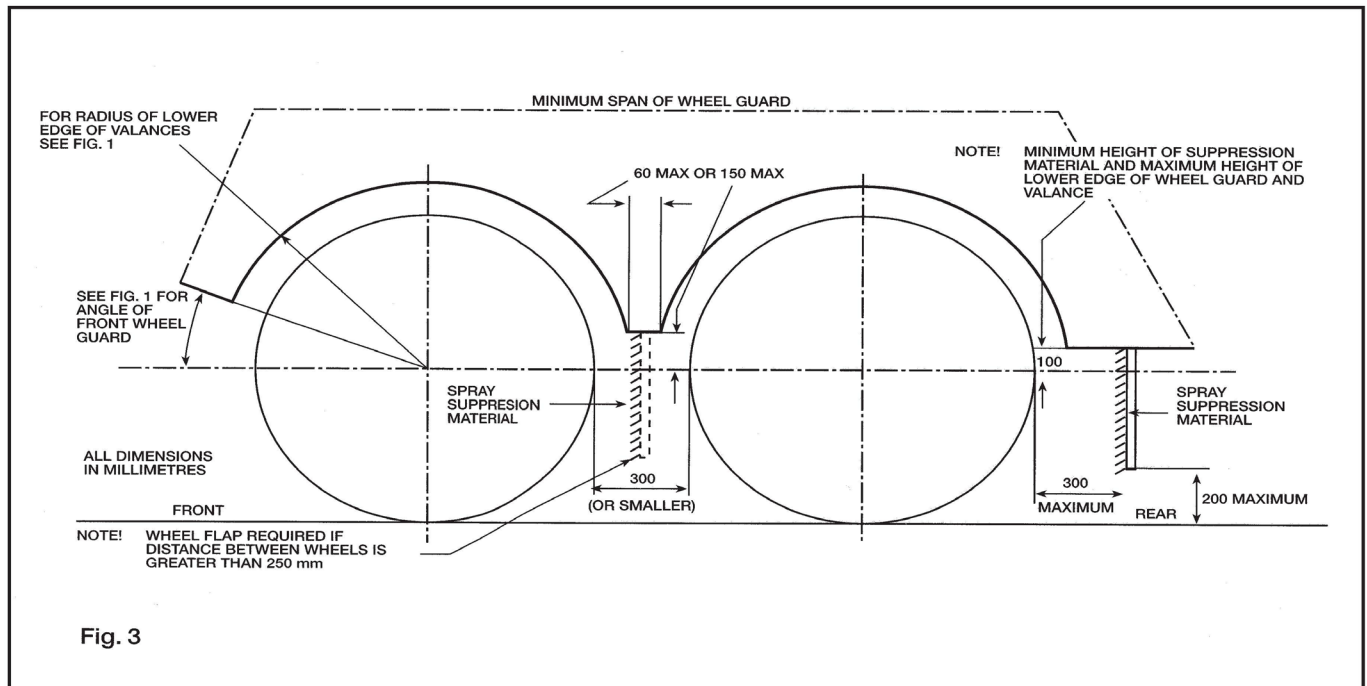
Wheel Guards

Where the wheel guard consists of several components there should be no gaps between or within individual parts when assembled that will permit the exit of spray when the vehicle is in motion.

Heavy Goods Vehicle Inspection Manual
14 Spray Suppression, Wings and Wheel Arches

Conventional Mudwing Types of Wheel Guards

Multi-axle arrangements where distance between wheels is 300mm or less



The lower edge of the outer valance shall not exceed 1.5 x tyre radius on steerable wheels or 1.25 x tyre radius on non-steerable wheels at points A,B and C as in the single axle diagram.

Wheel Flaps

Wheel flaps should cover the full breadth of the tyre(s) and be mounted to the wing without gaps that would permit the exit of spray.

Wheel flaps are required behind each wheel where the distance between tyres on a group of multiple axles is 250mm or more. Up to 290mm can be accepted where it is clear that the limit of 249mm is exceeded only by tyre wear.

Where the distance between tyres on a group of axles is less than 250mm, wheel flaps are only required on the rearmost axle of each group.

Suppression material must be fitted to:

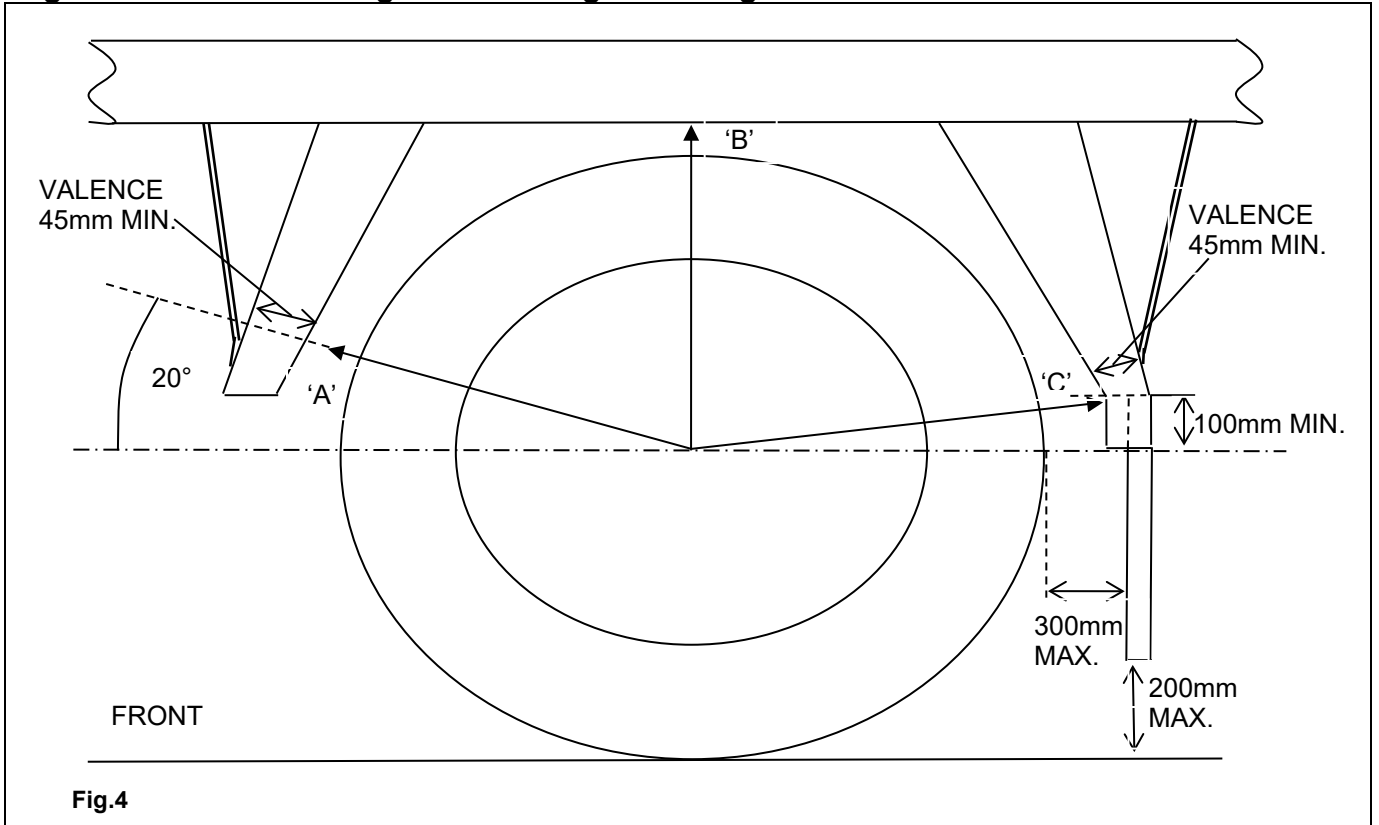
- The forward face of the flap and
- The forward face of that part of the wing (guard) if it reaches below a line 100mm above a line projected from the wheel centre line.

Wheel Guards

Where the wheel guard consists of several components there should be no gaps between or within individual parts when assembled that will permit the exit of spray when the vehicle is in motion.

Heavy Goods Vehicle Inspection Manual
14 Spray Suppression, Wings and Wheel Arches

Single or Multi-axle arrangements using Half Wing and Valances.



The lower edge of the outer valance shall not exceed 1.5 x tyre radius on steerable wheels or 1.25 x tyre radius on non-steerable wheels at points A, B and C.

Wheel Flaps

Wheel flaps must be fitted behind each wheel and should cover the full breadth of the tyre(s) and be mounted to the wing without gaps that would permit the exit of spray.

Where the distance between tyres on a group of axles is less than 250mm, wheel flaps are only required on the rearmost axle of each group. Up to 290mm can be accepted if it is clear that the limit of 249mm is exceeded only by tyre wear.

Suppression material must be fitted to:

- The forward face of the flap and
- to the forward face of that part of the wing (guard) if it reaches below a line 100mm above a line projected from the wheel centre line.

Wheel Guards

Where the wheel guard consists of several components there should be no gaps between or within individual parts when assembled that will permit the exit of spray when the vehicle is in motion.

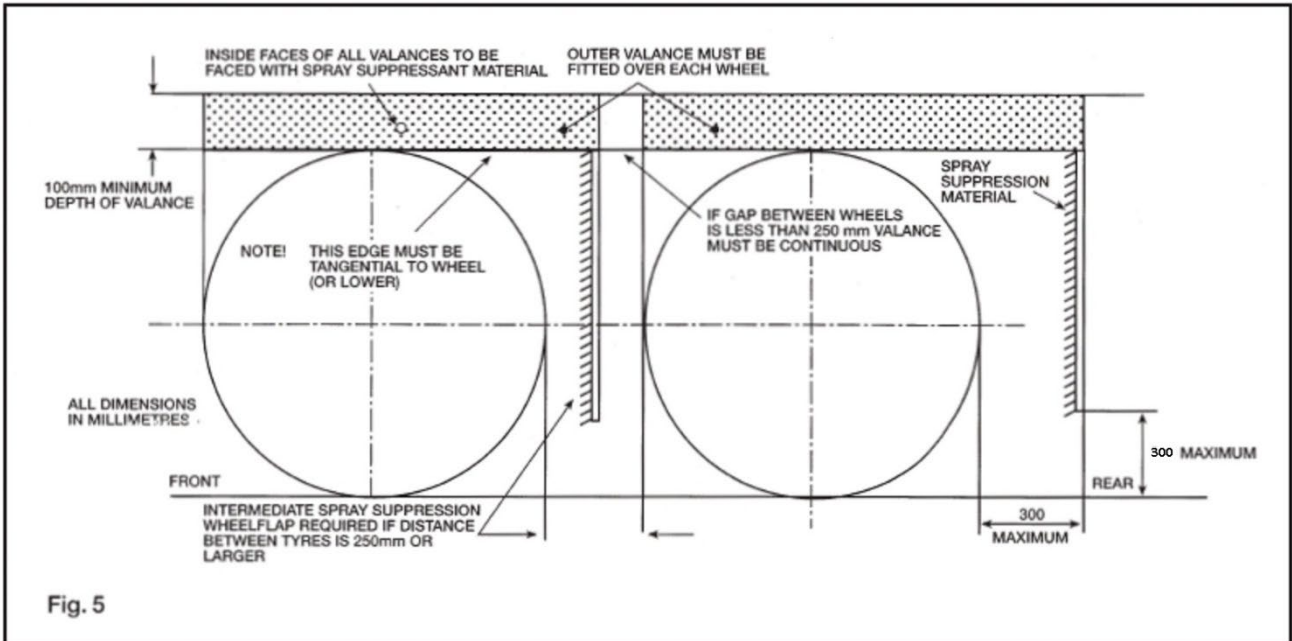
Note that in the case of steerable wheels the 20 Deg. angle is increased to 30 Deg.

The breadth of the wing valance at points A and C must be at least 45mm as must be the body valance depth at point B.

Heavy Goods Vehicle Inspection Manual

14 Spray Suppression, Wings and Wheel Arches

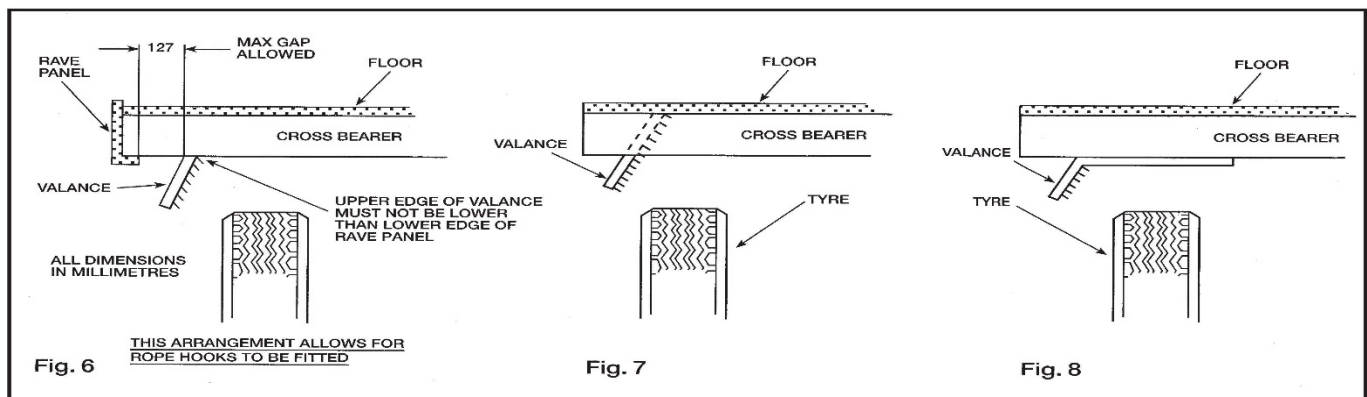
Flap and Valance System for Non-Steered Axes



The valance should cover the area extending from the underside of the body to at least a line formed by the tangent to the top of the tyres and between the outer edge of the wheel flap, with which it should form a seal and the vertical plane formed by the tangent at the front of the tyre. An outer valance must be fitted over each wheel.

The whole inner face of the outer valance, the depth of which should not be less than 100mm, must be fitted with a suppression material.

Wheel Flaps



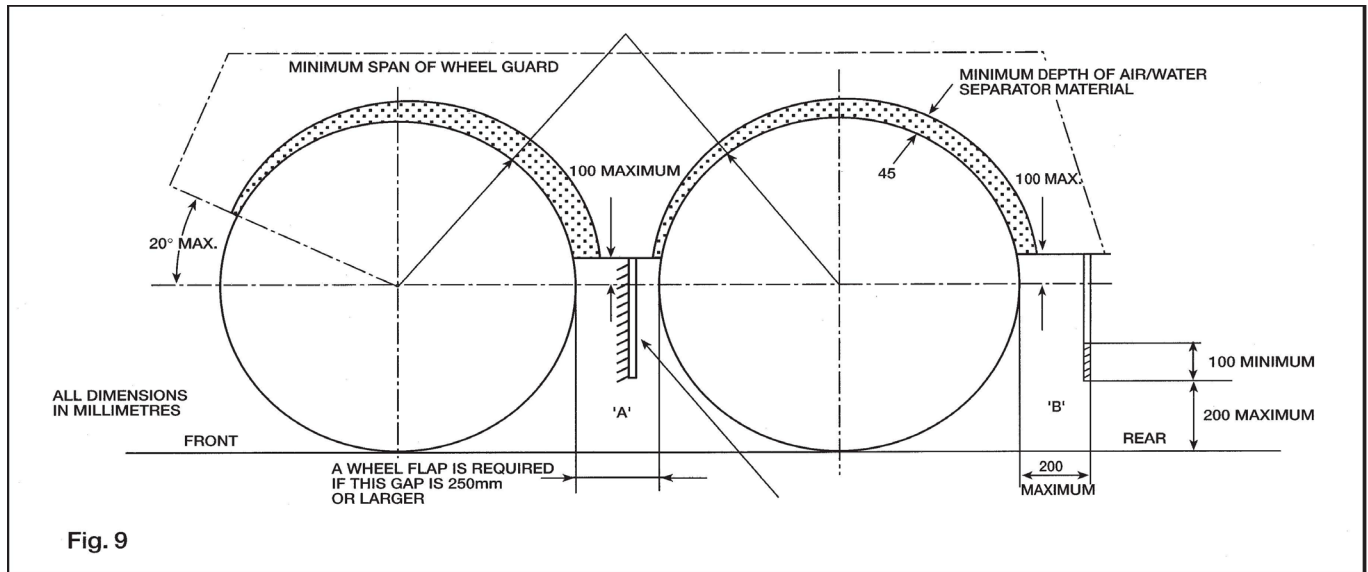
Wheel flaps should extend to the underside of the vehicle structure. The whole of the forward facing part of the wheel flap should be fitted with a suppression material or device. There should be no gaps that would permit the exit of spray.

Suppression material must be fitted to:

- the forward face of the flap and
- to the forward face of that part of the wing (guard) if it reaches below a line 100mm above a line projected from the wheel centre line.

Heavy Goods Vehicle Inspection Manual
14 Spray Suppression, Wings and Wheel Arches

Spray Suppression Systems with Air/Water Separation Devices on the Lower Edge of Valances ("Cats Whiskers" or "Netlon") Single axle and Multi-axle arrangements.



The **Wheel Guards** should comply in all respects with the requirements given for the conventional mudwing system.

Valances should have air/water separating material on their lower edges to a depth of not less than 45mm to the rear of the vertical centre line of the wheel. This depth may be progressively reduced forward of the centre line.

There should be no openings in outer valances or between outer valances or wheel guards that would allow spray to be emitted.

For non-steered wheels, the radius of the lower edge of the valance, including the air/water separating device, must not be greater than the radius of the tyre. With steered wheels however the radius of the lower edge can be up to approximately 25mm larger than the radius of the tyre.

Wheel flaps must be either

Fitted with suppression material to:

- the forward face of the flap and
- to the forward face of that part of the wing (guard) if it reaches below a line 100mm above a line projected from the wheel centre line (as at "A" in the diagram above).

or

- the lower part should consist of an air/water separator, the length of which shall be at least 100mm. The maximum height of the bottom edge should not exceed 200mm and the maximum distance behind the tyre is reduced to 200mm (as at "B" in the diagram above).

Where the distance between tyres on a group of axles is less than 250mm, wheel flaps are only required on the rearmost axle of each group. Up to 290mm can be accepted if it is clear that the limit of 249mm is exceeded only by tyre wear.

Heavy Goods Vehicle Inspection Manual
14 Spray Suppression, Wings and Wheel Arches

Deficiency	Deficiency Category
<p>1 A Wing or Wheel Arch:</p> <p>a. (i) missing or so badly corroded or distorted to stop it acting as an adequate shield or, in the case of a mud flap fitted as a wing, it is not restrained or constructed to stop wind lift.</p> <p> (ii) so badly corroded or distorted or so insecure that it can fall off or rub on the tyre.</p> <p>b. that has sharp edges that are likely to cause injury</p> <p>c. which is rubbing on a tyre.</p> <p>d. which does not cover the whole width of a tyre when the wheel is in the straight ahead position.</p>	<p>Major</p> <p>Major</p> <p>Major</p> <p>Major</p>
<p>2 Spray Suppression:</p> <p>a. insecure to such an extent it is likely to drop off.</p> <p>b. not fitted where required.</p> <p>c. incomplete or seriously defective.</p> <p>d. dimensions do not comply with requirements.</p> <p>e. with a wheel flap not restrained or stiff enough to stop excessive movement or wind lift in normal use.</p> <p>f. with more than 25% of the minimum required wheel flap or spray suppression material area clogged with mud or debris.</p>	<p>Major</p> <p>Major</p> <p>Major</p> <p>Major</p> <p>Major</p> <p>Major</p>

Heavy Goods Vehicle Inspection Manual

15 Cab Security

Application	
This inspection applies to all vehicles.	
Procedure and standards	
<p>All means of securing the cab are to be inspected where practical.</p> <p>Movement which is designed into mountings should not be confused with excessive wear.</p> <p>Cab security inspection applies to the primary and secondary locking devices for tilt cabs.</p> <p>The inspection does not cover air leaks from cab air suspension unless it affects the brakes. This would be a deficiency within the appropriate brake section.</p>	
Deficiency	Deficiency Category
<p>1 A Cab:</p> <p style="margin-left: 20px;">a. (i) insecure but not affecting the stability of the vehicle.</p> <p style="margin-left: 40px;">(ii) with any insecurity that is likely to affect the stability of the vehicle.</p> <p style="margin-left: 20px;">b. (i) retention and/or locking device on a tilt cab missing or defective.</p> <p style="margin-left: 40px;">(ii) retention and/or locking device on a tilt cab missing and or defective to such an extent that it seriously effects road safety.</p> <p style="margin-left: 20px;">c. obviously not located squarely on chassis and which obviously affects safe control of the vehicle.</p> <p style="margin-left: 20px;">d. (i) with excessive corrosion or damage to a load bearing member which seriously reduces its strength within 30cm of the cab mountings.</p> <p style="margin-left: 40px;">(ii) with excessive corrosion or damage to a load bearing member which seriously reduces its strength within 30cm of the cab mountings and stability is obviously affected.</p>	<p style="margin-left: 20px;">Major</p> <p style="margin-left: 20px;">Dangerous*</p> <p style="margin-left: 20px;">Major</p> <p style="margin-left: 20px;">Dangerous</p> <p style="margin-left: 20px;">Major</p> <p style="margin-left: 20px;">Major</p> <p style="margin-left: 20px;">Dangerous</p>

Heavy Goods Vehicle Inspection Manual

16 Cab Doors

Application

This application applies to all vehicles.

Procedure and standards

Only one operational door is required. On security vehicles this door may be fitted so that it does not open directly into the cab. Other doors which have deliberately been made inoperative should be considered part of the cab and not a door. A door with one handle missing should not be refused, if the door can be opened from inside using the remaining handle.

Deficiency

Deficiency Category

- | Deficiency | Deficiency Category |
|---|----------------------|
| 1 | A Door which: |
| a. is missing. | Major |
| b. cannot be opened. | Major |
| c. (i) has a sliding action and it will not remain closed or is likely to fly open inadvertently. | Major |
| (ii) has a hinged action and it will not remain closed or is likely to fly open inadvertently. | Dangerous |

Heavy Goods Vehicle Inspection Manual

17 Cab Floor and Steps

Application		
This inspection applies to all vehicles.		
Procedure and standards		
Examine the cab floor, internal wheel arches and cab steps for condition and security.		
Deficiency	Deficiency Category	
1	A cab floor or internal wheel arch which:	
(i)	is badly deteriorated or insecure.	Major
(ii)	is so badly deteriorated or insecure it is likely to impair the driver's control of the vehicle or is likely to cause injury.	Dangerous*
2	Any step or step ring:	
(i)	insecure.	Minor
(ii)	so insecure or or in such a condition it is likely to cause injury.	Major

Heavy Goods Vehicle Inspection Manual

18 Seats

Application

This inspection applies to all vehicles driver and passenger seats.

Procedure and standards

When checking the driver's seat adjustment it is not necessary to check that the seat can be secured in all possible positions.

In the case of electrically adjusted seats, it is not necessary to check any 'memory position' function.

Deficiency

Deficiency Category

- | Deficiency | Deficiency Category |
|--|---|
| 1 | A driver's seat: |
| a. (i) structure defective. | Major |
| (ii) so insecure or in such a condition that it could cause the driver to lose control of the vehicle. | Dangerous* |
| b. fore and aft adjustment mechanism not functioning as intended. | Major |
| 2 | A passenger seat insecure or a backrest that cannot be secured in the upright position. |
| | Major |

Heavy Goods Vehicle Inspection Manual
19 Security of Body, Containers and Crane Support Legs

Application

Security of Body

This inspection applies to all vehicles and trailers fitted with a body.

Security of Containers

This inspection applies to all vehicles and trailers constructed or adapted to carry removable shipping containers, whether a container is mounted or not (a dual purpose flatbed trailer from which all twistlocks have been removed is not subject to this inspection).

Security of Crane Support Legs

This inspection applies to all vehicles and trailers fitted with supporting legs for loading cranes.

This inspection only applies where retaining devices were originally fitted. A suitable alternative retaining device is acceptable provided the support leg is adequately secured.

Procedure and standards

Security of Body

The inspection covers:

- all fixings (e.g. brackets) securing the body to the chassis or to a sub-frame or supporting members.
- fastenings e.g. securing bolts, rivets or welds for the fixings.
- structural (stressed) panels.

Defective fastenings do not necessarily mean that the body is insecure. The whole structure must be assessed and deficiencies will only be justified where sufficient bolts, rivets and welds etc. are loose or defective to allow the body to move enough to cause a hazard for other road users.

Some designs of body mounting allow a limited amount of flexing between the body and chassis. This must not be confused with insecurity. On body mountings with tie-bars the securing nut on the tie-bar is correctly secured with a relatively low torque setting and this should not be mistaken for looseness.

Coach bolt failure due to corrosion may not be obvious, as the failed section may be in a position where it cannot be seen. Care should be taken to check that there is no sign of an abnormal movement of the structure which would indicate coach bolt failure.

Security of Containers

A secondary locking device is something that stops the primary fastening device coming open accidentally when the vehicle is in motion. To be effective it must give enough resistance to light hand pressure to remain closed.

Support Bolsters and Structures

Presenters should be asked to set any moveable supports or bolsters to a deployed position wherever possible prior to the commencement of the test to assist inspection. The presenter should reset them after the test within British legal length requirements before leaving the test site.

Heavy Goods Vehicle Inspection Manual
19 Security of Body, Containers and Crane Support Legs

Deficiency	Deficiency Category
<p>1 Body:</p> <p> a. excessively displaced relative to the chassis.</p> <p> b. (i) insecure.</p> <p> (ii) insecure with stability affected.</p>	<p>Major</p> <p>Major</p> <p>Dangerous</p>
<p>2 A load bearing member so cracked, corroded or damaged that the body is:</p> <p> (i) seriously weakened.</p> <p> (ii) seriously weakened and vehicle/trailer stability is impaired.</p>	<p>Major</p> <p>Dangerous</p>
<p>3 A container fastening device:</p> <p> a. missing when another of a matched pair is present.</p> <p> b. likely to become detached.</p> <p> c. incomplete.</p> <p> d. seized.</p> <p> e. not fitted with an effective secondary locking device.</p> <p> f. in such a condition that a container is unlikely to be secured by it.</p>	<p>Major</p> <p>Major</p> <p>Major</p> <p>Major</p> <p>Major</p> <p>Dangerous*</p>
<p>4 A support bolster or structure:</p> <p> a. insecure, cracked, corroded or damaged such that a container is unlikely to be supported and secured by it.</p> <p> b. not fitted with locking pins or other securing method incorporating an effective secondary locking device.</p>	<p>Dangerous*</p> <p>Major</p>
<p>5 A crane support leg:</p> <p> a. insecure.</p> <p> b. retaining device missing, insecure or in a condition that it would not adequately retain the leg.</p>	<p>Dangerous*</p> <p>Dangerous</p>

Heavy Goods Vehicle Inspection Manual

20 Condition of Body

Application		
This inspection applies to all vehicles and trailers.		
Procedure and standards		
<p>Check for defective items, which would make the vehicle dangerous to other road users or pedestrians. The cumulative effect of any defects found must be considered or their influence on other items. Superficial damage which does not affect the strength of a component or which does not pose a danger to other road users is not a deficiency.</p> <p>Check for any insecurity of glass panels or sharp edged glass on vehicles such as mobile shops.</p>		
Deficiency	Deficiency Category	
<p>1</p> <p style="padding-left: 40px;">Any headboard, rave, cross or longitudinal member, hinge or retaining device, tipping gear, glass panel or any part of the body designed to carry or contain the load (including the floor and main support pillars):</p> <p style="padding-left: 80px;">a. (i) insecure, fractured or cracked, distorted, worn, corroded, damaged or modified, to such an extent it is likely to cause injury.</p> <p style="padding-left: 120px;">(ii) insecure, fractured or cracked, distorted, worn, corroded, damaged or modified to such an extent the vehicle is obviously dangerous to other road users, passengers or pedestrians.</p> <p style="padding-left: 80px;">b. (i) with an inappropriate modification of the bodywork.</p> <p style="padding-left: 120px;">(ii) with an unsafe modification of the bodywork which has seriously weakened the component.</p> <p>2</p> <p style="padding-left: 40px;">(i) a leak from the load carrying compartment which poses a risk to other road users.</p> <p style="padding-left: 40px;">(ii) a leak from the load carrying compartment which poses a very serious risk to other road users.</p> <p>3</p>	<p style="padding-left: 120px;">Major</p> <p style="padding-left: 120px;">Dangerous</p> <p style="padding-left: 120px;">Major</p> <p style="padding-left: 120px;">Dangerous</p> <p style="padding-left: 40px;">Major</p> <p style="padding-left: 40px;">Dangerous</p> <p style="padding-left: 40px;">Dangerous*</p>	
<p>A wind deflector or other accessory so obviously insecure that it is likely to become detached.</p>		

Heavy Goods Vehicle Inspection Manual
22 Mirrors and Indirect Vision Devices

Application

This inspection applies to all vehicles. The number and type of mirrors and or indirect vision devices (excluding periscopes) which have to be fitted are shown below.

DATE OF FIRST USE	REQUIREMENTS
Before 1 April 1985	An exterior mirror on the offside and either an interior mirror (unless this would not give a view to the rear) or an exterior mirror on the nearside
From 1 April 1985	A main exterior mirror on both the offside and nearside
From 1 October 1988 with DGWV greater than 12000 kg	A close proximity mirror on the nearside in addition to those shown above
From 1 October 1988 articulated vehicles with DGWV greater than 12000 kg	A wide angle mirror on the nearside in addition to those shown above
From 1 January 2000 with a DGWV exceeding 3500kg	A main exterior mirror on both the offside and the nearside A wide angle mirror on the passenger side. A close proximity mirror on the passenger side.
From the 26 January 2007 with a DGWV exceeding 7500 kg	A main exterior mirror on both the offside and the nearside. A wide angle mirror on both the offside and the nearside A close proximity mirror on the passenger side. A front mirror

Category T vehicles will required to meet the requirements of a vehicle from 1 April 1985.

Heavy Goods Vehicle Inspection Manual

22 Mirrors and Indirect Vision Devices

Procedure and standards

Vehicles registered from 26 January 2007 but before 26 January 2008 in excess of 7500kg may not have a front mirror, these vehicles should be treated as if derogated and therefore pass and advise for this aspect of the inspection.

Any vehicle registered from 26 January 2008 in excess of 7500kg must have a front mirror, provided it can be fitted more than 2m from the ground.

"Indirect vision devices " means devices to observe the traffic area adjacent to the vehicle which cannot be observed by direct vision. These can be conventional mirrors, camera-monitors or other devices (but not a periscope) able to present information about the indirect field of vision to the driver.

For vehicles up to 7500kg if the close-proximity mirror can not be fitted at least 2m from the ground. The vehicle does not require either the wide angle or close-proximity mirrors.

Known makes and models over 3500kg that do not require wide angle or close-proximity mirrors are:

- Iveco Daily
- Johnston Sweepers 5000 series
- Mercedes Chassis Cab Vario with two wheel drive and all Sprinters
- Mitsubishi Fuso Canter
- Nissan Cabstar
- Isuzu N Series this is any Isuzu up to 7500kg
- Renault Mascott and Maxity
- Volkswagen LT and Crafter

There are a minority of vehicles which can achieve the view to the front without a front mirror, if you are in any doubt about the necessity for a front mirror contact TaSS Swansea.

The retro fitting of mirrors from 1 January 2000 does not include the front mirror.

For the purpose of this inspection on a left hand drive vehicle the nearside is at the right and the offside at the left.

Close proximity and front mirrors must be at least 2m from the ground. If a vehicle is fitted with a low mounted cab so that the mirror cannot be fitted at this height it is exempt from the requirement to fit a close proximity and front mirror. Some Mercedes Unimogs fall into this category or the category of not being a forward control vehicle the U300, U400, U500 & U3000, U4000, U5000, Zetro 1833A and Zetro 2733A are exempt the front mirror but the U20 is not exempt and requires a front mirror.

Deficiency 2 will not apply to cameras replacing front and or close proximity mirrors fitted less than 2 metres from the ground where the camera is hidden with in the body contour.

Heavy Goods Vehicle Inspection Manual
22 Mirrors and Indirect Vision Devices

Deficiency	Deficiency Category
1 Not fitted with the correct number or type(s) of mirror, or other indirect vision device.	Major
2 Part of any required close proximity, front mirror or camera for an indirect visual device is fitted less than 2 metres from the ground.	Major
3 (i) A required mirror or indirect vision device with minor damage that does not obviously interfere with the view to the rear, nearside or front where required of anyone sitting in the driving seats.	Minor
(ii) A required mirror or indirect vision device in such a condition that anyone sitting in the driving seat cannot see clearly towards the rear or nearside or front where required.	Major
4 A mirror/indirect vision device or its mounting bracket insecure or structurally deteriorated.	Major

Heavy Goods Vehicle Inspection Manual

23 Glass and View of the Road

Application

This inspection applies to all vehicles.

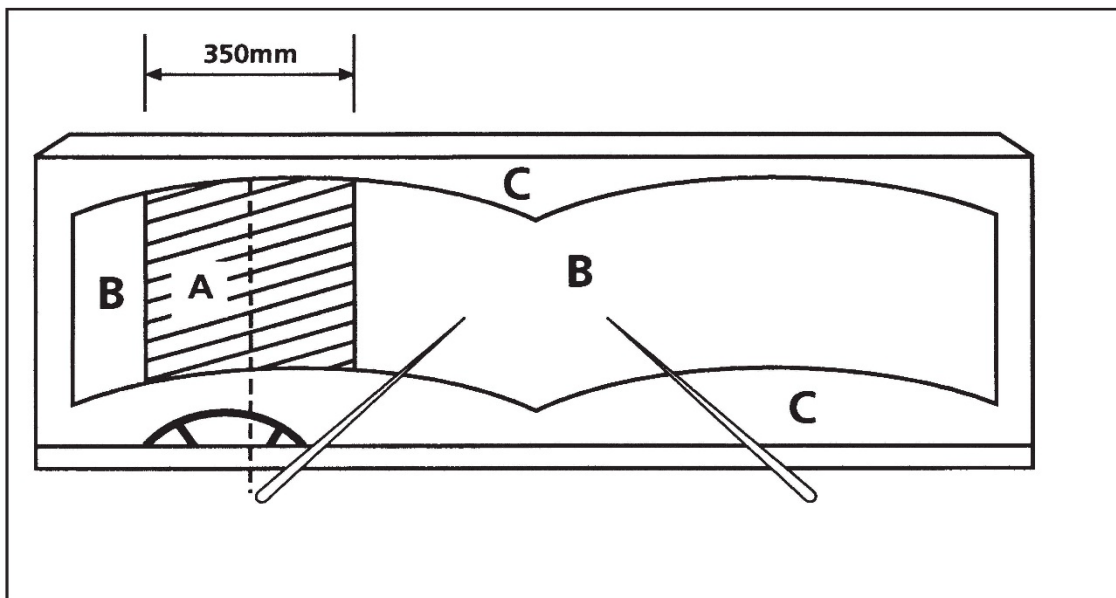
Procedure and standards

Zone "A" is 350mm wide, in the swept area of the screen and centred on the centre of the steering wheel.

Zone "B" is the remainder of the swept area.

Zone "C" is the remainder of the screen outside the sweep of the wipers.

When checking the windscreen refer to the diagram below.



Windscreen

Examiners should have regard for the three separate "zones" when assessing damage or discolouration. A greater amount of damage or discolouration could be accepted in zone "C" than in zone "B". Likewise a greater amount can be accepted in zone "B" than in zone "A" where relatively minor damage may be a deficiency.

When assessing damage, light surface scratches are not to be considered as damage. However, an area of concentrated scratches such as those caused by prolonged use of a defective wiper blade which materially affects view to the front or the sides is to be considered a deficiency.

Repaired windscreens must be inspected to the same criteria as original unrepaired screens. Repairs must be judged as to whether they materially affect view to the front or the sides.

"Swept area" means the area swept by the wipers in their normal operation and does not include any additional area of the screen covered by the wipers to reach the parked position or which the original manufacturer has designed as opaque.

Heavy Goods Vehicle Inspection Manual

23 Glass and View of the Road

Check the view of the road from the driver's seat. The view must not be obstructed by any changes to the original design such as the addition of stickers, pennants, cab decorations, stoneguards, dash mounted tables or other items, which materially affect view to the front or the sides.

On many vehicles, the original design will place things like instrument panel clusters inside the field of view. Intrusions such as this which are an original design features can be ignored, as can damage, obstructions or unofficial stickers which are hidden by that feature.

Many commercial vehicles have very large screens and have windscreen wipers which cover an area that have no practical use. For the purposes of the annual test, the area of the screen above a horizontal line taken from the driver's eye position, assessed from the driving seat looking forward in a comfortable upright driving position, can be ignored other than the area through which the driver is required to view any mirror (front mirrors on HGVs are not required to be viewed through the area swept by the wipers). It is not necessary to speculate on the effects of tall or short drivers.

Official stickers and acceptable features (see examples below) are permitted to encroach into the field of vision if this is necessary to comply with other regulations. These will be considered a deficiency only where they **seriously restrict the drivers view** to the front or the sides.

Examples of acceptable features which may intrude into the swept area of the wipers provided they do not **seriously restrict the drivers view** to the front or the sides are:

- Vehicle distance or lane indicator systems
- Operator licence
- Automatic windscreen wiper detectors
- Fresnel lens
- Split windscreens
- Wipers which park adjacent to a central pillar
- Driver monitoring systems
- Driver's aids such as blinds and their mountings
- Toll payment tags/stickers
- Vehicle anti-theft scheme stickers/security passes

Examples of features which may intrude into the swept area of the wipers provided they do not **materially affect view** to the front or the sides are:

- No smoking signs
- Maximum height signs
- Maintenance information stickers
- Other non-mandatory signs or stickers
- Dash mounted tables, laptops/tablets/mobile phones/satellite navigation which is not original equipment
- Dash mount monitors/control systems

Note: It is important to remember the monitors mounted on a dash will be used for different purposes such as monitoring/controlling of refrigeration systems which will be assessed as whether they materially affect view whereas monitors for safety features such as blind spot systems for indirect vision requirements will be assessed as to whether they seriously affect view.

Heavy Goods Vehicle Inspection Manual

23 Glass and View of the Road

Deficiency	Deficiency Category
<p>1 A Windscreen:</p> <p>a. (i) with an obstruction, damage or discolouration which materially affects view to the front or the sides through the area of windscreen not swept by the wipers (zone C).</p> <p> (ii) with an obstruction, damage or discolouration which materially affects view to the front or the sides through the area of windscreen swept by the wipers.</p> <p>b. (i) with a crack in the windscreen outside of the area swept by the wipers (zone C).</p> <p> (ii) with a crack passing through the swept area which renders the screen insecure or which materially affects view to the front or the sides through the area of windscreen swept by the wipers.</p> <p>c. with any crack where there is noticeable displacement of the surfaces on either side which has an adverse effect on the condition and operation of the windscreen wipers.</p> <p>d. with damage which exposes the inner layer of a laminated screen.</p>	<p>Minor</p> <p>Major</p> <p>Minor</p> <p>Major</p> <p>Major</p> <p>Major</p>
<p>2 A windscreen or window:</p> <p>a. so insecure that it is likely to fall out or damaged to the extent that it presents a danger to occupants or to other road users.</p> <p>b. with damage or obstruction, which impairs the driver's view of a mandatory mirror.</p>	<p>Dangerous*</p> <p>Major</p>

Heavy Goods Vehicle Inspection Manual

25 Windscreen Wipers and Washers

Application

This inspection applies to all vehicles except those with an opening windscreen or where an adequate view can be obtained by some other means.

Procedure and standards

Wipers must be able to clear an adequate area of the screen to give the driver a view of the road to the front and in front of both sides of the vehicle.

Washers must provide enough water to enable the wipers to clear the screen effectively.

Frozen washers are to be considered a deficiency.

There is no requirement to check that wipers self park.

Wipers working on an intermittent speed only are not acceptable and will be a deficiency under 2b.

Check switches that control windscreen wipers and or washers are fitted and operational.

Deficiency	Deficiency Category
------------	---------------------

1	Switch(es) controlling windscreen wipers and/or washers missing or defective.	Minor
---	---	-------

2	Wipers:	
a.	do not move over an adequate area.	Major
b.	do not work continually when switched on.	Major
c.	a blade missing, insecure or so deteriorated that it cannot clear the screen effectively.	Major

3	Windscreen washers not working or not providing sufficient fluid to clear the windscreen.	Major
---	---	-------

Heavy Goods Vehicle Inspection Manual

26 Speedometer/Tachograph

Application

This inspection applies to all vehicles.

A vehicle must have a tachograph fitted unless the presenter claims that it is exempt from the tachograph regulations. Exempt vehicles may have either a tachograph or a speedometer fitted.

Procedure and standards

The check of tachograph seals is by visual assessment only.

1C tachographs must be installed to all vehicles requiring a tachograph registered from June 15th 2019.

All vehicles

A tachograph exemption form must be completed for all vehicles deemed as tachograph exempt, unless the vehicle technical record shows the vehicle is exempt or it is declared on the application form.

If the time clock is inoperative this is a deficiency under 1b(ii) (for the tachograph only not the speedometer).

For vehicles fitted with a tachograph

If the tachograph head cannot be opened or if the calibration plaque does not match the vehicle to which it is fitted it should be treated as if the plaque and any relevant seals were not there.

If the vehicle identification on the calibration plaque does not correspond to the vehicle it is fitted to, the vehicle should be refused under 2a. Should the identification refer to the registration mark, the technical record must be checked to ensure it was not a previous registration for the same vehicle. If no vehicle identification is displayed this is not a deficiency, there is no requirement to display the registration mark on the calibration plaque.

For vehicles required to be fitted with a tachograph

The tachograph head must only be opened with the steering wheel in the straight ahead position and with the engine switched off.

Installation/calibration plaques expire after 6 years for analogue, 2 years for digital.

It is acceptable for the plaque to contain additional information (e.g. Registration Number, tyre pressures etc.). The plaque is designed to be tamper proof and should show signs of damage if it has been tampered with. The 2 year check is not part of this inspection for analogue tachographs only. However, if the examiner notices this plaque is not displayed the presenter must be advised.

Check DIL switch covers and seals for presence and condition and that they are the correct type. It will be sufficient to check that they have an approved marking. It is not necessary to identify the sealer.

For vehicles not required to be fitted with a tachograph where a tachograph is used as a speedometer

If a tachograph is used in place of a speedometer (even if the vehicle is tachograph exempt) it is only required to be marked in kilometres per hour, although it may be dual marked in miles per hour also.

Only where the tachograph is marked in KPH alone, will you be required to check the installation/calibration plaque for presence and condition, and the date of calibration is clearly visible.

There is no requirement for a re-calibration of these systems after 6 years provided that the system has been initially calibrated and sealed, and that the calibration plaque and necessary seals remain intact.

If a speed limiter is NOT required, or the speed limiter does not receive the speed signal from the tachograph head, it is only necessary to check the seals inside the tachograph head. There is no requirement for the gearbox sender unit to be sealed. The vehicle technical record will show if a vehicle is speed limiter exempt.

Vehicles fitted with Modular Tachographs

There are presently two types of modular tachograph using encrypted sender units. They are VDO Keinzel 1324 and Stoneridge Electronics (formerly TVI) and are easily identified as they are shaped like a car radio.

Vehicles fitted with Digital and or Modular Tachograph systems have received type approval that permits the use of a 4 wire data transmission cable instead of an armoured cable provided it is used to connect an encrypted sender unit to the tachograph. When used in this arrangement the approval also does not require the cable end connections to be sealed. However, the sender unit itself is still required to be sealed to the gearbox.

Where a printout from a digital tachograph cannot be obtained initially (because of a jammed or depleted roll) the presenter should be given the opportunity to rectify this before leaving the test site and the use of PRS would not be appropriate if the defect is rectified.

Identification of Encrypted Sender Units

These appear similar to other sender units and can be positively identified by the cream/beige colour of the sender unit 4 pin bayonet connector. This colour is the same whether the sender unit is the rotating type or a proximity type. It should be noted that when the cable is connected that only a small part of the cream/beige coloured connector is visible.

For the VDO Keinzl 1324 there is an exception to the above colour code when the vehicle is fitted with a TELMA retarder, the socket housing will be red.

If a vehicle is fitted with more than one tachograph and a speed limiter, the speed limiter should operate off all tachographs.



Plastic sleeve seals are acceptable but will require an embossed identification, (see example to left).

Tachograph plaques are required to be tamperproof; this is not a deficiency at annual test if they are not tamperproof.

Deficiency	Deficiency Category
1	A speedometer or tachograph (where required):
a.	not fitted. Major
b. (i)	incomplete or dial glass broken without affecting the operation. Minor
(ii)	incomplete, clearly inoperative, or with dial glass missing or broken and affecting the operation. Major
c.	cannot be illuminated. Major
2	For all vehicles fitted with a tachograph:
a.	tachograph installation/calibration plaque missing or damaged (where required). Major
b.	DIL switch cover missing, broken or damaged through interference. Major
3	For vehicles required to be fitted with a tachograph:
a.	tachograph scale not marked in kilometres per hour. (There is no requirement for tachographs to be marked in m.p.h.). Major
b.	tachograph manufacturer's serial number/data plaque missing or not showing an "e" marking. Major
c.	tachograph installation/calibration plaque out of date. Major
d.	where a digital tachograph is fitted the size of drive axle road tyres do not comply with calibration plaque. Major
e.	"K" factor plaque missing. Major
f.	seal missing, broken or where a clearly "non mandatory" seal has been fitted in place of an "official" seal. Major
g.	unable to obtain a printout from a digital tachograph. Major
h.	a digital tachograph that displays a 'K' factor reading different to that shown on the calibration plaque (there is no allowance/tolerance as with analogue type tachographs). Major

4

For vehicles not required to be fitted with a tachograph, where a tachograph is fitted in place of a speedometer:

- a. **If a speed limiter is required (which is sensed from the tachograph head):**
seal missing, broken or where a clearly “non-mandatory” seal has been fitted in place of an “official seal”. Major

- b. **If a speed limiter is not required:**
a seal within the tachograph head missing, broken, or where a clearly “non mandatory” seal has been fitted in place of an “official” seal. *There is no requirement for the gearbox sender unit to be sealed.* Major

Heavy Goods Vehicle Inspection Manual

27 Horn

Application

This inspection applies to all vehicles.

Procedure and standards

Vehicles first used from 1 August 1973 must have a horn that produces a continuous or uniform sound.

If vehicles are fitted with more than one horn only one has to work.

If air horns are connected to the braking system of a vehicle the presenter should be made aware of the possible dangers as well as advising of any leaks from the air horns (there is no requirement to check if air horn operation depletes the braking system).

If more than one horn control is fitted at least one must operate the horn.

Deficiency	Deficiency Category
1	
Horn control:	
a. missing.	Major
b. cannot be reached easily from the driving seat.	Major
c. insecure.	Major
2	
Horn:	
a. does not work.	Major
b. is not loud enough to be heard by other road users.	Major
c. sound not continuous or uniform.	Major
d. insecure.	Major

Heavy Goods Vehicle Inspection Manual

28 Driving Controls

Application		
This inspection applies to all vehicles.		
Procedure and standards		
<p>From the driver's seat operate driving controls, except those for brakes and steering which are checked under other items, to see that they function correctly and are complete.</p> <p>Examples of driving controls which need to be inspected are:</p> <ol style="list-style-type: none"> 1. Gear control. 2. Accelerator pedal. 3. Clutch pedal. <p>The list is not exhaustive.</p> <p>An air leak from a gear valve is not a deficiency.</p> <p>An accelerator pedal anti slip provision missing or worn smooth is not a deficiency.</p> <p>Check the designated engine stop control for presence and operation.</p>		
Deficiency	Deficiency	Category
<p>1</p> <p style="margin-left: 40px;">A driving control:</p> <p style="margin-left: 80px;">a. (i) insecure.</p> <p style="margin-left: 120px;">(ii) insecure and safe operation of the vehicle obviously affected.</p> <p style="margin-left: 80px;">b. (i) incomplete.</p> <p style="margin-left: 120px;">(ii) incomplete and safe operation of the vehicle obviously affected.</p> <p style="margin-left: 80px;">c. (i) fractured, cracked or excessively corroded.</p> <p style="margin-left: 120px;">(ii) fractured, cracked or excessively corroded and safe operation of the vehicle obviously affected.</p> <p style="margin-left: 80px;">d. (i) obstructed or impeded in its travel.</p> <p style="margin-left: 120px;">(ii) obstructed or impeded in its travel and safe operation of the vehicle obviously affected.</p> <p style="margin-left: 80px;">e. (i) obviously not functioning correctly.</p> <p style="margin-left: 120px;">(ii) obviously not functioning correctly and safe operation of the vehicle obviously affected.</p>		

Heavy Goods Vehicle Inspection Manual

28 Driving Controls

f.	with the presence of rubbish or other items likely to interfere with the proper control of the vehicle.	Dangerous
g.	(i) clutch pedal anti-slip provision missing, loose, incomplete or ineffective.	Major
	(ii) clutch pedal anti-slip provision missing, loose, incomplete or ineffective and safe operation of the vehicle obviously affected.	Dangerous
2	Engine stop control missing or inoperative.	Major

Heavy Goods Vehicle Inspection Manual

30 Steering Control

Application

This inspection applies to all vehicles.

Procedure and standards

Cracks in the plastic covering do not necessarily mean that a spoke is fractured.

This inspection does not apply to drivers' aid steering wheel knobs.

Unless specified by the manufacturer vehicles fitted with power steering must be checked with the engine running.

"Free Play" must not be confused with movement caused by the compression of steering joints etc. This operation should be carried out with light finger pressure to distinguish the feel of the steering wheel when it meets a resistance.

Certain types of steering column might show some movement not due to excessive wear, e.g. those fitted with universal joints or flexible couplings.

Free play at the steering rim in excess of 1/30 of the steering wheel diameter for a rack and pinion mechanism is considered a deficiency. For other types of mechanism free play in excess of 1/5 of the wheel's diameter is considered a deficiency. The acceptable free play for a range of wheels is shown below.

WHEEL DIAMETER	RACK AND PINION STEERING		OTHER TYPES OF STEERING
	CONVENTIONAL	WITH STEERING WHEEL AHEAD OF THE RACK AND WITH A NUMBER OF JOINTS	
380mm (15")	13mm (0.5")	48mm (1.9")	76mm (3")
455mm (18")	16mm (0.6")	57mm (2.3")	90mm (3.6")
530mm (21")	18mm (0.7")	67mm (2.6")	106mm (4.2")
610mm (24")	21mm (0.8")	77mm (3.3")	122mm (4.8")

Check the steering column has no excessive end float, when applying an upward and downward pressure to the steering wheel in line with the column.

Check the steering column has no excessive side play indicating a badly worn top bearing or insecure top mounting bracket, by pulling and pushing the rim.

With the steered wheels in the straight ahead position lightly rotate the steering wheel to the left and right and note the amount of free play.

On vehicles that are equipped with a steering lock (anti theft device) these should be checked for functionality. It's acceptable for a steering lock to be inoperative if the vehicle has an engine immobiliser, or a permanently installed immobilisation device which acts on either the steering, brakes or the transmission.

Some electronic steering locks, generally on vehicles with keyless ignition systems, will only activate when the driver's door is opened or closed.

If it's not practical to check if a steering lock is working, you should give the benefit of the doubt.

Heavy Goods Vehicle Inspection Manual

30 Steering Control

Deficiency	Deficiency Category
<p>1 Steering column:</p> <p>a. with excessive movement of centre of steering wheel in line with the column (end float).</p> <p>b. with excessive side play indicating a badly worn top bearing or insecure top mounting bracket.</p> <p>c. flexible coupling or universal joint insecure, deteriorated or with excessive wear.</p> <p>d. (i) coupling clamp bolt or locking device missing or loose.</p> <p> (ii) coupling clamp bolt or locking device missing or loose with a serious risk of separation.</p> <p>e. (i) with an adjustment device worn to such an extent that it would render the column insecure.</p> <p> (ii) with an adjustment device worn to such an extent that it would render the column insecure with a serious risk of loss of steering control.</p> <p>f. (i) with an inappropriate modification.</p> <p> (ii) with an unsafe modification which has seriously weakened the component, does not provide sufficient clearance to other vehicle parts or affects the steering function.</p>	<p>Major</p> <p>Major</p> <p>Major</p> <p>Major</p> <p>Dangerous</p> <p>Major</p> <p>Dangerous</p> <p>Major</p> <p>Dangerous</p>
<p>2 Steering Wheel:</p> <p>a. (i) insecure.</p> <p> (ii) insecure to such an extent that detachment is likely.</p> <p>b. (i) hub, spoke or rim fractured or cracked.</p> <p> (ii) hub, spoke or rim fractured or cracked to such an extent that detachment is likely.</p> <p>c. cover torn with jagged edges likely to injure the driver.</p> <p>d. (i) hub retaining device not fitted or loose.</p> <p> (ii) hub retaining device not fitted or loose and detachment is likely.</p>	<p>Major</p> <p>Dangerous</p> <p>Major</p> <p>Dangerous</p> <p>Dangerous*</p> <p>Major</p> <p>Dangerous</p>

Heavy Goods Vehicle Inspection Manual

30 Steering Control

	e.	(i)	locking mechanism not functioning correctly.	Major
		(ii)	locking mechanism not functioning correctly and affects safe steering operation.	Dangerous
3		(i)	Free play in system which is outside the prescribed limits.	Major
		(ii)	Free play in system which is outside the prescribed limits obviously effecting safe control of the vehicle.	Dangerous

Heavy Goods Vehicle Inspection Manual

33 Speed Limiter

Application

This inspection applies to all vehicles which, are required to be fitted with a speed limiter.

Vehicles required to be fitted with a speed limiter are:

A. A vehicle first used from 1 January 1988 with:

- a design gross weight of more than 12000kg and
- a maximum speed capability exceeding 56 mph (90 km/h), if a speed limiter were not fitted

Must be fitted with a speed limiter set at a maximum stabilised speed of 56 mph (90 km/h).

B. A vehicle first used from 1 August 1992 until 30 September 2001 with:

- with a design gross weight of more than 7500kg and not exceeding 12000kg and
- a maximum speed capability exceeding 60mph (96.5km/h) if a speed limiter were not fitted

Must be fitted with a speed limiter set at a maximum of 60 mph (96.5 km/h).

C. A vehicle first used from 1 October 2001 until 31 December 2004 with a Euro 3 Diesel or Gas engine (See note) with:

- a design gross weight of more than 3500kg and not exceeding 7500kg and
- a maximum speed capability exceeding 90km/h if a speed limiter were not fitted

Must be fitted with a speed limiter set at a maximum stabilised speed of 56 mph (90 km/h) from 1 January 2007.

D. A vehicle first used from 1 October 2001 until 31 December 2004 with:

- a design gross weight of more than 7500kg and not exceeding 12000kg and
- a maximum speed capability exceeding 90 km/h if a speed limiter were not fitted

Must have a speed limiter set at 56 mph (90 km/h).

E. A vehicle first used from 1 January 2005 with:

- a maximum design gross weight of more than 3500kg and not exceeding 7500kg
- a maximum speed capability exceeding 90km/h if a speed limiter were not fitted

Must be fitted with a speed limiter set at a maximum stabilised speed of 90 km/h from 1 January 2008.

F. A vehicle first used from 1 January 2005 with:

- a design gross weight of more than 7500kg and not exceeding 12000kg and
- a maximum speed capability exceeding 90km/h if a speed limiter were not fitted

Must be fitted with a speed limiter set at a maximum stabilised speed of 90 km/h.

Heavy Goods Vehicle Inspection Manual

33 Speed Limiter

Procedure and standards

Some vehicles first used from 1 October 2001 until 31 December 2004 may have been approved to Directive 70/220/EC or fitted with Euro 2 engines. These vehicles are exempt from the speed limiter fitting requirements for Group C. Where exemption is claimed at time of test this should be accompanied by an operator's declaration of exemption and where necessary supported by manufacturer's confirmation of emission test standard, unless the vehicle is marked speed limiter exempt on the technical record. All the following listed vehicles have already been confirmed by their manufacturers as being exempt and no further proof is required for these vehicles:

Any Petrol engine or petrol engine converted to run on LPG

Citroen Relay 2.0 litre and 2.2 litre HDi engines

DAF 45, 7.5 ton vehicles (all) except DAF 45 marked as LF. (LF is marked on the N/S of the radiator grill.)

Fiat Ducato with 2.0 litre engines (engine code RHV).

Ford Transit (all).

Isuzu models NPR, NQR, and NKR with T, V, W, X or 1(one) as the 10th VIN character.

Iveco Cargo all, except vehicles with engine code F4AE---

Iveco Daily all, except vehicles with engine code F1CE---, 8140.43B, 8140.43N and 8140.43S with a PIC code 'G.' (the PIC code is applicable to the 8140.43S only, the PIC code can be found on the ID plate on the shut panel for the bonnet identified by the third character.)

LDV (all).

Mitsubishi Canter with 'R' as the 12th VIN character.

Nissan Interstar all, except vehicles with engine code ZD3-A202, G9U-A754 & G9U-A724.

Nissan Primastar All models.

Peugeot Boxer 2.0 litre and 2.2 litre HDi engines.

Renault Master all, except vehicles with engine code ZD3-A202, G9U-A754 & G9U-A724.

Renault Trafic All models.

Vauxhall/Opel Movano with E, F, G, J, K, L, M, N, P, T or W as the 7th VIN character.

Vauxhall/Opel Vivaro (all).

Volkswagen (all except 2.5lt/2.8lt 109bhp/158bhp engine codes AVR & AUH respectively).

Other vehicles which are exempted by regulations are:

Vehicles owned or used by the Secretary of State for Defence and used for naval, military or air force purposes. If the vehicle is being used the driver must be under the direct orders of a member of the armed forces of the Crown.

Vehicles being used for fire brigade (in England and Wales fire and rescue authority), ambulance and police purposes.

Vehicles which are an emergency tactical response vehicle operated by or on behalf of Her Majesty's Prison Service and used primarily for the purpose of transporting people or equipment (or both) to restore order within Her Majesty's prisons or immigration detention centres.

If for any other reason the vehicle presenter claims a valid exemption that is different from the technical record, form DVSA 74 V2 must be completed.

Heavy Goods Vehicle Inspection Manual

33 Speed Limiter

When checking a speed limiter plate is securely fitted in the driver's compartment it is acceptable for the plate to be fitted in the driver's door jamb. If fitted on a window and facing outward the details must be able to be read by a person of average height.

The character and composition of the plate and size of the lettering are not important provided the details are legible.

It is acceptable for the limiter to be wired through the "ignition" switch but any other device which would allow disconnection of the speed limiter whilst driving is unacceptable.

Clear DIL switch covers are acceptable at the time of test, although once again they are no longer acceptable under the Tachograph approved scheme and centres should no longer fit them.

The inspection of speed limiters is only for the parts which are visible without dismantling.

Plastic speed limiter seals are acceptable if they are properly marked with a sealer identification.

Heavy Goods Vehicle Inspection Manual

33 Speed Limiter

Deficiency	Deficiency Category
<p>1 Speed Limiter Plate:</p> <p> a. missing.</p> <p> b. insecure.</p> <p> c. not in a conspicuous position.</p> <p> d. not clearly and indelibly marked with the set speed.</p>	<p>Major</p> <p>Minor</p> <p>Minor</p> <p>Major</p>
<p>2 Set Speed marked on Speed Limiter Plate greater than:</p> <p> a. 90km/h (56 mph) for a vehicle described in Application section Groups A, C, D, E & F.</p> <p> b. 96.5 km/h (60 mph) for a vehicle described in Application section Group B.</p>	<p>Minor</p> <p>Minor</p>
<p>3 Speed Limiter:</p> <p> a. not fitted or obviously inoperative.</p> <p> b. insecure.</p> <p> c. actuating rods/cables disconnected or damaged so that the operation is obviously affected.</p> <p> d. wiring disconnected or can easily be disconnected by unauthorised means.</p> <p> e. tamperproof device missing or defective or showing obvious signs of interference.</p>	<p>Major</p> <p>Major</p> <p>Major</p> <p>Major</p> <p>Major</p>

Heavy Goods Vehicle Inspection Manual
34 Pressure/Vacuum Warning and Build Up

Application

This inspection applies to all vehicles, except those with an unladen weight of less than 3050kg where the vacuum reservoir is coupled direct to the engine induction manifold. These vehicles do not require a pressure/vacuum warning device (if it is not possible to determine the unladen weight of a vehicle, the presenter should be given the opportunity to produce some evidence of the unladen weight before failing the vehicle).

Procedure and Standards

Vehicles used from 1 April 1983 can be fitted with either a visual warning device or an audible warning device. If both are fitted only one need work. Vehicles first used before 1 April 1983 must be fitted with a visual warning device. If an audible warning device is also fitted this is considered to be an addition to the mandatory requirement.

A number of vehicles, among them Mercedes 515, 609, 612, 614, 709 and Iveco Daily models were approved without a warning device and should not be failed for a warning device not fitted.

If there is no reservoir in a vacuum system a warning device is not required.

Deplete the air or vacuum system by applying the footbrake, when the warning device operates there must be four further assisted applications.

If the vehicle has full power hydraulic brakes, gauges are not normally fitted and there are no appreciable sounds when the brakes are applied. To check for the compliance with item 2 in the deficiency column use the procedure shown in Item 71.

Fully deplete the system and run the engine at just below governed speed and note the time for the warning device to show minimum effective working condition.

If gauges are not marked, take 3 bar (45 psi) for air systems and 25 to 30cm (10 to 12 Inches) for vacuum systems as indicating minimum effective working condition.

The time to reach minimum effective working pressure should normally be within 3 minutes for pressure systems and 1 minute for vacuum systems. With Type Approved vehicles designed to draw a trailer a build-up time of 6 minutes is acceptable. If, however, the time recorded for the vehicle is appreciable longer than expected from that type of vehicle, this should be taken to indicate undue wear or a defect in the equipment.

Heavy Goods Vehicle Inspection Manual
34 Pressure/Vacuum Warning and Build Up

Deficiency	Deficiency Category
<p>1 A mandatory warning device:</p> <p> a. cannot be seen by the driver in all lighting conditions or heard as applicable.</p> <p> b. not fitted or not working correctly.</p>	<p>Major</p> <p>Major</p>
<p>2 (i) Not enough pressure or vacuum to give at least four fully assisted brake applications after the warning device has indicated minimum effective working conditions.</p> <p> (ii) Not enough pressure or vacuum to give at least two fully assisted brake applications after the warning device has indicated minimum effective working conditions.</p>	<p>Major</p> <p>Dangerous</p>
<p>3 Time to reach minimum effective working pressure is more than 3 minutes for pressure systems and 1 minute for vacuum systems (6 minutes for type approved vehicles designed to draw a trailer).</p>	<p>Major</p>

Heavy Goods Vehicle Inspection Manual

36 Hand Lever Operating Mechanical Park Brakes and Electronic Park Brake Controls

Application		
This examination applies to all vehicles fitted with a mechanical parking brake and to all vehicles fitted with an electric park brake control.		
Procedure and Standards		
Operate the vehicles parking brake mechanism and check the operation and condition.		
Deficiency		Deficiency Category
1	Brake lever:	
	a. fractured or cracked.	Major
	b. excessively corroded.	Major
	c. insecure.	Major
	d. so positioned that it cannot be operated satisfactorily.	Major
	e. impeded in its travel.	Major
	f. is not held in the “on” position when knocked.	Major
	g. excessive or insufficient reserve travel.	Major
	h. pivot with side play such that it is likely to fail.	Major
	i. pivot is tight in operation.	Major
	j. (i) does not release correctly.	Minor
	(ii) does not release correctly and is functionally affected.	Major
2	Pawl mechanism:	
	a. and/or mountings in such a condition that early failure is likely.	Major
	b. pawl spring is not pushing teeth into positive engagement with ratchet teeth.	Major
3	Locking and/or retaining devices missing or insecure.	Major
4	Electronic Park Brake control:	
	a. activator missing, damaged or inoperative.	Major
	b. incorrect functionality, warning indicator shows malfunction.	Major

Heavy Goods Vehicle Inspection Manual

37 Service Brake Pedal

Application

This examination applies to all vehicles.

Procedure and Standards

Power operated braking systems where the foot valve is fully open before the pedal is fully depressed do not require any reserve travel.

Some category T vehicles may have a split service brake assembly, which is capable of operating each side of the vehicles brakes independently. The assembly must be locked together when presented for test and where this is not the case this will be considered a deficiency (2d).

Deficiency

Deficiency Category

1	Brake pedal:	
	a. anti-slip provision missing, loose, incomplete or ineffective.	Major
	b. has excessive side play.	Major
	c. fouling other parts of the vehicle and is functionality affected.	Major
	d. insufficient reserve travel when fully depressed.	Major
2	Brake pedal or assembly:	
	a. insecure, incomplete, fractured, cracked, or corroded and is functionality affected.	Major
	b. pivot is tight in operation.	Major
	c. (i) does not release correctly.	Minor
	(ii) does not release correctly and functionality is affected.	Major
	d. capable of applying each side of the vehicles brakes independently and the assembly is unlocked.	Dangerous

Heavy Goods Vehicle Inspection Manual

38 Service Brake Operation

Application

This examination applies to all vehicles and trailers.

Vehicles and trailers on which anti-lock brakes are mandatory	
Type of Vehicle	Date
Motor vehicles with design GVW greater than 16000kg and authorised to tow a semi-trailer or a centre axle drawbar trailer with total design axle weights greater than 10000kg or a drawbar trailer with design GVW greater than 10000kg. (an O4 trailer) See examples 1 and 2 below to determine whether a motor vehicle needs antilock brakes	First used from 1 April 1992 and up to 30 April 2002
Motor vehicle with design GVW greater than 3500kg	First used from 1 May 2002
Semi-trailers and centre axle drawbar trailers with a design total axle weight of more than 10000kg	Manufactured from 1 October 1991
Semi-trailers and centre axle drawbar trailers with a design total axle weight of more than 10000kg and which do not have a load sensing valve	Manufactured from 1 October 1982 to 30 September 1991
Semi-trailers and centre axle drawbar trailers with a design total axle weight of more than 3500kg	Manufactured from 1 May 2002
Full drawbar trailers (turntable type) with a design GVW of more than 10000kg	Manufactured from 1 October 1991
Full drawbar trailers (turntable type) with a design GVW of more than 10000kg and which do not have a load sensing valve	Manufactured from 1 October 1982 to 30 September 1991
Full drawbar trailers (turntable type) with a design GVW of more than 3500kg	Manufactured from 1 May 2002

Anti lock Brake exempt vehicles

A public works vehicle which has a maximum design GVW of 7500kg and which is specifically designed for use and used solely for the purpose of street cleansing.

How to determine if a drawing vehicle first used from 1st April 1992 and before 1 May 2002 needs antilock brakes.

Example 1



Semi-Trailer

or



Rigid and Drawbar Trailer

DGVW 18000kg

Heavy Goods Vehicle Inspection Manual

38 Service Brake Operation

DGTW greater than 28000 - (DGTW-DGVW>10000)

Anti-lock brakes required.

Example 2



Semi-Trailer

or

Rigid and Drawbar Trailer

DGVW 18000kg GTW 27000kg (DGTW-DGVW<10000)

Anti-lock brakes may be required if:

1. the drawing hitch is rated at more than 10000kg or
2. the tractor is presented for test with a semi-trailer which has Total Axle Weight greater than 10000kg or
3. the drawing vehicle is presented for test with a trailer which has DGVW greater than 10000kg

Heavy Goods Vehicle Inspection Manual

38 Service Brake Operation

Procedure and Standards

The tow hitch should have a manufacturer's identification plate showing the hitch capacity.

For some brake systems a small amount of creep may be due to elasticity in the brake components.

For test purposes it will only be possible to check the static part of the warning light sequence. Some systems require movement of the vehicle but this is not part of the test.

If a trailer is submitted for test coupled to a motor vehicle which has no power supply for the trailer anti-lock system the test should be suspended on the grounds that the trailer has not been accompanied by a suitable drawing vehicle. The presenter should be informed of this on form VTG12.

If a trailer does not have a warning light, this is acceptable provided that the drawing vehicle has a trailer warning light fitted in the cab. If neither the tractor nor trailer has a warning light and there is a separate connector for the anti-lock system the test should be suspended as described above. If neither has a warning light and the trailer anti-lock is operated through the stop lamp circuit the trailer should be refused under deficiency 5a.

Vehicles and trailers fitted with ABS are not required to have a LSV. However, if an LSV is fitted and known to be a standard fitment this is a deficiency if it is removed or disconnected refer to IM59.

There is no requirement to check the colour of Malfunction Indicator system warning lamps.

ABS, ABS/EBS and ABS/EBS/ESC requirements

ABS only vehicles

Vehicles fitted with ABS only must have a mandatory warning malfunction indicator lamp (MIL) that illuminates when the system is energised (ignition or battery master switch on). It can be any colour, though they are usually red, yellow or amber. It must go out after a short period or when the engine is started but can then come back on and remain on until the vehicle speed exceeds approximately 5 kph (3 mph). It is not necessary to move the vehicle to check the speed-activated function provided the lamp does go off momentarily.

Trailers fitted with ABS must have either; a warning lamp (usually green and fitted on the trailer headboard), or if this is not present then there must be a trailer ABS warning lamp in the motor vehicle cab of any colour separate from the vehicle warning lamp. If trailer ABS warning lamps are fitted to both vehicle and trailer both systems must work (on some trailers the trailer warning lamp may be extinguished when the ISO7638 cable is fitted).

Other lamps of the same or different colours showing e.g. that trailers are not connected, or are not fitted with ABS may also be fitted to motor vehicles. These are not mandatory and are for information purposes only. If these are illuminated it is not an deficiency. It is important to establish that a lit warning lamp is actually showing an ABS defect, and is not an ABS information lamp. The Driver Handbook may be used to establish the function of a lamp.

Heavy Goods Vehicle Inspection Manual

38 Service Brake Operation

ABS/EBS equipped vehicles

Vehicles fitted with ABS and EBS must have mandatory red and amber/yellow MILs fitted. Drawing vehicles must be fitted with a separate amber/yellow MIL for the trailer, though one red MIL may be shared between tractor and trailer. If separate tractor and trailer Red MILs are fitted they are both required to work.

The red MIL illuminates if there is a foundation brake fault or the prescribed minimum brake performance cannot be met. The red MIL must illuminate with system initialisation though this may not be clearly evident as in some cases the sequence is extremely fast and may be missed. In this circumstance if modulator cycling can be heard it is acceptable to pass the vehicle. It may be necessary to wait as much as 30 seconds before re-testing to allow the system to re-set. If a red MIL stays lit or is flashing this is a deficiency.

The amber/yellow lamp illuminates if there is an electronic fault

The amber/yellow MILs must illuminate with system initialisation though this may not be clearly evident as in some cases the sequence is extremely fast and may be missed. In this circumstance if modulator cycling can be heard it is acceptable to pass the vehicle. It may be necessary to wait as much as 30 seconds before re-testing to allow the system to re-set.

If the MIL stays lit this is a deficiency. If the MIL illuminates on system initialisation then goes out and then flashes this should be advised.

ABS/EBS/ESC equipped vehicles

Motor vehicles fitted with ESC must have a separate amber/yellow MIL fitted apart from those used to signal EBS electronic faults. One lamp covers both the motor vehicle and any trailer fitted with ESC towed.

The ESC lamp will be illuminated when the system is switched off, when the system is operating or if a fault is present. It is not required to light up on system energisation, but if it does this is acceptable provided it then goes out after a short period or when the engine is started.

If the vehicle has a switch to manually disable the ESC function, it must not be possible for the switch to be left in the "off" position and the ESC function must be automatically reinstated every time the system is re-energised (ignition turned on.)

Electronic Stability Control Systems are commonly referred to as ESC, but may also be known as ESP/RSC or some other acronym. The MIL for these systems may take various forms and a vehicle should only be refused when the tester is certain that an illuminated lamp indicates an ESC malfunction. This may require reference to the owner's handbook if one is available.

Heavy Goods Vehicle Inspection Manual
38 Service Brake Operation

Deficiency	Deficiency Category
1	Air pressure or vacuum systems gauge reading drops when pedal depressed indicating a leak in the system. Major
2	Hydraulic systems (other than full power systems):
a.	pedal creeps down to the floor when depressed. Major
b.	sponginess when pedal depressed. Major
3	(i) Servo unit defective or ineffective. Major
	(ii) Pedal does not dip when engine started, indicating lack of assistance for brake systems assisted by engine vacuum. Dangerous*
4	Full pressure hydraulic system pressure is not maintained for 10 minutes when the brakes are off and the engine is stopped. Major
5	Any of the required ABS or ABS/EBS or ESC warning lamps:
a.	are missing. Major
b.	do not illuminate as required when ignition switched on. Major
c.	indicate a fault. Major
6	Vehicles and Trailers fitted with ABS or ABS/EBS or ESC:
a.	a system component obviously missing or excessively damaged. Major
b.	system wiring excessively damaged. Major
c.	(i) a system component with an inappropriate modification. Major
	(ii) a system component with an unsafe modification which has seriously weakened the component, does not provide sufficient clearance to other vehicle parts or renders the component inoperative. Dangerous
d.	an ESC system switch insecure or faulty or which does not allow automatic resetting of the ESC function to "on" at system energisation. Major

Heavy Goods Vehicle Inspection Manual

38 Service Brake Operation

7	On vehicles and trailers both fitted with ISO 7638 (ABS/EBS) lead sockets an ISO 7638 connecting lead not fitted or being used.	Major
8	A mandatory ABS system not fitted to a vehicle or trailer where it is a mandatory requirement.	Major

Heavy Goods Vehicle Inspection Manual
39 Hand Operated Brake Control Valves

Application		
<p>This examination applies to all hand operated control valves on vehicles which operate secondary brakes, trailer brakes, spring brakes and lock actuators. It also applies to trailers fitted with hand operated spring brake control valves.</p>		
Procedure and Standards		
<p>Certain air valves are subject to a slight amount of leakage and this is not a deficiency.</p>		
Deficiency		Deficiency Category
1	<p>Control valve:</p> <ul style="list-style-type: none"> a. on a motor vehicle unable to be operated from the driving position. b. insecure. c. fractured, cracked, damaged or excessively corroded. d. impeded in its travel. e. leaking. f. excessive wear in the gate or lever locating mechanism. g. malfunctioning. 	<p>Major</p> <p>Major</p> <p>Major</p> <p>Major</p> <p>Major</p> <p>Major</p> <p>Major</p>

Heavy Goods Vehicle Inspection Manual

41 Condition of Chassis

Application

This inspection applies to all vehicles and trailers.

Procedure and Standards

For integral construction the term chassis should also be taken to apply to the underframe. For vehicles without a chassis those parts of the body must be examined which take the place of the chassis.

A missing chassis crossmember is not a deficiency but it is subject to notifiable alteration procedure which may result in a vehicle being down plated (inform the presenter to submit a VTG10 using form VTG57).

When assessing corrosion it must only be regarded as a deficiency if it is sufficiently advanced to obviously impair the strength of a load bearing member.

Deficiency 2 also includes sliding bogies and their locking mechanisms. It also includes the operating mechanism to move the bogie (these are normally air chambers) where detachment is likely (2aii).

Seddon 6 x 2 has a 'H' section crossmember fitted forward of the drive axle, there are 2 holes in the bottom flange on each side of the chassis frame and crossmember which were originally for securing the steel spring suspension front spring bracket to the chassis frame. When air suspension is fitted there is no requirement to fit bolts in these 2 holes.

Heavy Goods Vehicle Inspection Manual

41 Condition of Chassis

Deficiency	Deficiency Category
<p>1</p> <p style="padding-left: 40px;">Any main or cross member or outrigger which has a load restraining device attached:</p> <p style="padding-left: 80px;">a. (i) fractured, cracked, corroded, or deformed.</p> <p style="padding-left: 120px;">(ii) fractured, cracked, with excessive corrosion, or deformed, so that the control of the vehicle is likely to be affected or the load will become insecure.</p>	<p>Major</p> <p>Dangerous*</p>
<p>2</p> <p style="padding-left: 40px;">Frame and/or cross member fastenings:</p> <p style="padding-left: 80px;">a. (i) insecure flitch plates and/or fastenings or welds breaking away.</p> <p style="padding-left: 120px;">(ii) insecure flitch plates and/or fastenings or welds breaking away so that the control of the vehicle is likely to be affected or the load will become insecure.</p>	<p>Major</p> <p>Dangerous*</p>
<p>3</p> <p style="padding-left: 40px;">Integral body replacement panels:</p> <p style="padding-left: 80px;">a. (i) of an obviously unsuitable material.</p> <p style="padding-left: 120px;">(ii) of an obviously unsuitable material and stability impaired.</p> <p style="padding-left: 80px;">b. (i) not adequately secured by an appropriate method.</p> <p style="padding-left: 120px;">(ii) not adequately secured by an appropriate method and stability impaired.</p>	<p>Major</p> <p>Dangerous*</p> <p>Major</p> <p>Dangerous*</p>

Heavy Goods Vehicle Inspection Manual
42 Electrical Wiring and Equipment

Application

This inspection applies to all vehicles and trailers.

Procedure and Standards

If the battery is only held in place by the cables and by a lip on the carrier this cannot be considered to be secure.

Where it is not possible to inspect batteries for condition and leaks every effort should be made to inspect the area where the batteries are installed to confirm there are no signs of leakage.

When checking the condition and security of the wiring, care needs to be taken when inspecting the high voltage systems of Hybrid Electric Vehicles and Electric Vehicles. These high voltage wires are colour coded orange.

A trailer electrical socket with a defective or missing cover flap that incorporates a lug and spring to hold the plug in place is not considered to be a defect.

Heavy Goods Vehicle Inspection Manual
42 Electrical Wiring and Equipment

Deficiency	Deficiency Category
1	Wiring:
a. (i)	chafing, damaged or deteriorated insulation. Minor
(ii)	chafed, damaged or deteriorated insulation, which is likely to cause a short circuit fault. Major
(iii)	chafed, damaged or deteriorated insulation, with obvious risk of fire. Dangerous
b. (i)	not adequately secured. Minor
(ii)	not adequately secured with fixings touching sharp edges and or connectors likely to be disconnected. Major
(iii)	not adequately secured and wiring likely to touch hot or rotating parts or the ground. Dangerous*
2	Battery:
a. (i)	and/or carrier insecure. Minor
(ii)	and/or carrier insecure and likely to become displaced or cause a short circuit. Major
b.	case leaking. Major
c.	switch or fuse defective. Major
3	A trailer electrical socket:
a. (i)	insecure. Minor
(ii)	insecure and likely to become detached. Major
b. (i)	damaged or deteriorated. Minor
(ii)	damaged or deteriorated to the extent that the connecting lead cannot be securely connected. Major
4	A Power train:
a.	insecure. Major
b.	presents a risk of fire or injury. Dangerous

Heavy Goods Vehicle Inspection Manual
43 Engine and Transmission Mountings

Application		
This inspection applies to all vehicles, including Hybrid Electric Vehicles and Electric Vehicles. Where there is separate power train equipment this should be treated as an engine/transmission.		
Procedure and Standards		
Serious fractures in clutch or bell housings which affect the security of the engine or gearbox are to be considered a deficiency.		
Deficiency		Deficiency Category
1	Any mounting or subframe:	
	a. (i) securing nuts/bolts loose or missing.	Major
	(ii) securing nut/bolts loose or missing to such an extent that road safety is endangered.	Dangerous*
	b. (i) cracked or fractured.	Major
	(ii) cracked or fractured to such an extent that road safety is endangered.	Dangerous*
	c. (i) badly deteriorated.	Major
	(ii) badly deteriorated to such an extent that road safety is endangered.	Dangerous*

Heavy Goods Vehicle Inspection Manual

44 Oil Leaks

Application

This inspection applies to all vehicles and trailers.

Procedure and Standards

Check for oil leaks without operating any equipment other than the engine which may be run at tick-over speed.

Very bad oil leaks are a reason for refusing to carry out the test. If the test is suspended for this reason the presenter will be notified of this using form VTG12.

Temporary means of preventing leaked oil reaching the ground such as fabricated drip trays consisting of sheet metal supported by wire strands are not acceptable. This does not apply to permanent fittings such as drip trays for feed pipes on tankers.

Fabricated repairs to an oil pipe which effectively stop an oil leak are acceptable.

Deficiency	Deficiency Category
1 (i) Any oil leak which can deposit oil at a rate in excess of a 75mm diameter pool in 5 minutes or a number of leaks which collectively would deposit oil in excess of this.	Major
(ii) Any oil leak which can deposit oil in a continuous flow or constitutes a serious risk of fire.	Dangerous

Heavy Goods Vehicle Inspection Manual

45 Fuel Tanks and System

Application

This inspection applies to **all fuel tanks** which are permanently attached to vehicles and to trailers, including gas fuel tanks and cylinders, bottles and other types of fuel container.

Procedure and Standards

Seepage is not a deficiency.

Fabricated and "emergency" fuel caps are acceptable provided that they function correctly. Where possible the tank cap should be opened to check the sealing arrangements.

Very bad fuel leaks are a reason for refusing to carry out the test. If the test is suspended for this reason the presenter will be notified of this using form VTG12.

A fuel leak caused by a defect contaminating the road surface will be considered a hazard to other road users.

If the vehicle is powered by gas and suffers a leak this should be treated in the same manner as a normal fuel leak and VTG12 action taken. The vehicle should be moved to a well ventilated area away from people and buildings. If the leak is of a serious nature evacuate the building.

It is not necessary to run the engine but if a leak is present when the engine is running this is considered a deficiency under 2a.

It is not necessary to run combustion heaters as part of this inspection.

If a fuel tank assembly is seen to be holed, but the hole is above the fuel level, this is considered a deficiency under 1d.

Heavy Goods Vehicle Inspection Manual
45 Fuel Tanks and System

Deficiency	Deficiency Category
<p>1 Fuel tank:</p> <p>a. strap or support broken or missing.</p> <p>b. so insecure on its mountings that it is likely to drop away partially or completely when the vehicle is used.</p> <p>c. heat shield missing, or defective to such an extent it constitutes an obvious fire risk.</p> <p>d. defective such that leakage of fuel is possible.</p>	<p>Major</p> <p>Dangerous*</p> <p>Dangerous</p> <p>Major</p>
<p>2 Fuel System:</p> <p>a. (i) leaking and does not represent an obvious hazard to other road users.</p> <p>(ii) leaking and represents an obvious hazard to other road users.</p> <p>b. (i) pipes damaged (restricted/chafed) or so positioned that they are fouled by moving parts of the vehicle.</p> <p>(ii) pipes so damaged (restricted/chafed), insecure or with an inadequate repair, such that they are likely to fail and leak which would cause danger to persons on the vehicle or to other road users.</p>	<p>Major</p> <p>Dangerous</p> <p>Minor</p> <p>Major</p>
<p>3 Filler Cap:</p> <p>a. missing.</p> <p>b. does not fasten securely:</p> <ul style="list-style-type: none"> • by a positive means, or • such that pressure is not maintained on the sealing arrangement. <p>c. sealing washer torn, deteriorated or missing, or a mounting flange/sealing method defective such that leakage of fuel is possible.</p>	<p>Dangerous</p> <p>Major</p> <p>Major</p>

Heavy Goods Vehicle Inspection Manual
46 Exhaust Systems and Nuisance

Application	
<p>This inspection applies to all vehicles. This inspection applies to all underbonnet noise deadening material fitted as original equipment.</p>	
Procedure and Standards	
<p>Where a vehicle is refused for exhaust system leaking, the smoke emission test could be affected by the induction of air into the exhaust system. When presented for retest the emission test must be rechecked.</p> <p>Minor leaks are acceptable.</p> <p>An excessively deteriorated exhaust is not a deficiency providing deficiencies 1.a and 1.b do not apply.</p> <p>Check for the presence of the silencer and assess its effectiveness in reducing, so far as is reasonable, noise caused by the exhaust.</p>	
Deficiency	Deficiency Category
<p>1 An exhaust system:</p> <p style="margin-left: 20px;">a. (i) insecure but unlikely to fall away partially or completely from the vehicle.</p> <p style="margin-left: 40px;">(ii) so insecure that it might fall away partially or completely when the vehicle is in use.</p> <p style="margin-left: 20px;">b. (i) leaking.</p> <p style="margin-left: 40px;">(ii) leaking and entering the drivers cab.</p> <p style="margin-left: 20px;">c. (i) incorrectly positioned so that fumes are likely to enter the driver's cab.</p> <p style="margin-left: 40px;">(ii) positioned such that fumes are entering the driver's cab.</p>	<p style="text-align: right;">Major</p> <p style="text-align: right;">Dangerous*</p> <p style="text-align: right;">Major</p> <p style="text-align: right;">Dangerous</p> <p style="text-align: right;">Major</p> <p style="text-align: right;">Dangerous</p>
<p>2 An exhaust silencer:</p> <p style="margin-left: 20px;">a. missing.</p> <p style="margin-left: 20px;">b. obviously ineffective.</p>	<p style="text-align: right;">Major</p> <p style="text-align: right;">Major</p>
<p>3 Any part of the noise suppression system:</p> <p style="margin-left: 20px;">(i) insecure.</p> <p style="margin-left: 20px;">(ii) likely to become detached.</p>	<p style="text-align: right;">Major</p> <p style="text-align: right;">Dangerous*</p>

Heavy Goods Vehicle Inspection Manual

48 Suspension

Application

This inspection applies to all vehicles and trailers.

Procedure and Standards

Insecurity of attachment points can best be assessed when the steering and/or brakes are operated.

Leaf spring systems:

- Where leaves are so misaligned that each leaf is not taking a reasonable proportion of the load this will be a deficiency.
- A leaf spring with a fracture or crack on the curled section which prevents the axle moving in the event of main leaf failure is a deficiency.
- A "U" bolt should be regarded as loose if there is clear visual evidence that it is not properly fulfilling its function of securing a spring and before it can do so it needs remedial action.
- Surface cracks on laminated semi-elliptical springs are not a deficiency.
- It is permissible to have a larger road spring on one side of a vehicle than the other.

Spring Pins:

- The maximum permissible wear in a pin/bush and/or mounting is 2mm for a 12mm diameter pin and 1/8 of the diameter for larger assemblies. For a threaded pin it is the diameter of the threaded part which should be taken into account when assessing wear. These criteria should not be used when checking rubber bushes which should be checked for deterioration of the rubber which could result in excessive movement.
- The maximum side play must not exceed 6mm. This does not apply to a threaded pin and mounting assembly or to rubber bushes or to single spring bogie suspensions.
- Where an anchor/shackle pin is secured at one end the maximum amount of movement at the free end should not exceed 1mm for smaller assemblies, increasing to 2mm for larger assemblies.

A fractured and or repaired air bag pedestal if performing satisfactorily and not damaging the air bag is not a major deficiency.

Independent suspension must be jacked to remove the weight from the suspension joints (suspension hanging freely) except for independent assemblies with kingpins.

Trailers fitted with heavy duty shock absorbers are not required to be fitted with check straps.

Scania vehicles with air suspension have attachment points for a retaining chain, the omission of the chain is not an deficiency.

Tag axles with disabled lift facilities are not a deficiency, these may also have the lift operation air bag removed.

Shock Absorbers/Anti Roll Bars:

- Slight seepage producing a thin film of fluid on a shock absorber is not a deficiency but any sign of dripping is unacceptable.
- Anti roll bar bushes repaired with resin are acceptable providing the repair is adequate resulting in the removal of the excess wear.

Heavy Goods Vehicle Inspection Manual

48 Suspension

On some unladen vehicles the suspension air bellows on one side may be deflated. This is a natural characteristic that occurs after certain types of operation of the electronically governed suspension system. This ensures the chassis frame remains at a constant height at all times.

Where it is both possible and safe to do so, one or two operations may be tried to reinflate the bellows:

1. By using the driver control to raise/lower the suspension before resetting the suspension to the normal ride height. Ensure this operation is only performed under supervision.
2. Where loading of the vehicle with the load simulator is observed while performing a brake test.

If neither operation can be conducted or the operation(s) do not re-inflate the bellows then this is to be considered a deficiency.

Where vehicle or trailer air bellows appear displaced, deflated or kinked and this can be rectified safely under supervision using the vehicle/trailer suspension controls this is acceptable and will not be deemed a deficiency.

Slipper brackets:

- Rebound pins where fitted as standard should be correctly located.
- Worn slipper brackets are considered a deficiency when worn to the extent they could, at the time of the inspection, clearly affect the movement or correct location of the road spring (or have allowed the spring leaf to damage the chassis).

Air/Fluid systems:

- When assessing the significance of leaks it should be remembered that certain pneumatic components are subject to some degree of leakage. Slight seepage producing a thin film of oil on the component is not a deficiency, but any sign of dripping is unacceptable.
- Exposure of air bag structural cords is acceptable providing that they are not damaged to such an extent the unit is likely to fail.
- An air bag for holding a lift axle in the raised position must be considered against the same criteria as any other suspension air bag.

Heavy Goods Vehicle Inspection Manual

48 Suspension

- | | | |
|----|--|-----------|
| 2 | Leaf springs and fixings: | |
| a. | (i) fractured or cracked leaf or one repaired by welding. | Major |
| | (ii) fractured or cracked leaf or one repaired by welding, which obviously affects directional stability. | Dangerous |
| b. | spring leaves splayed beyond the prescribed limits or fouling any other part of the vehicle. | Major |
| c. | with excessive movement in a spring fixing pin. | Major |
| d. | (i) slipper bracket rebound pin missing or incorrectly located. | Minor |
| | (ii) slipper bracket rebound pin missing or incorrectly located with a spring displaced. | Major |
| e. | (i) relative movement or displacement between a spring and the axle. | Major |
| | (ii) relative movement or displacement between a spring and the axle which obviously affects directional stability. | Dangerous |
| f. | a missing shackle or anchor pin. | Dangerous |
| g. | a worn slipper bracket. | Major |
| h. | so corroded, pitted or seriously weakened that it is likely to fail. | Major |
| i. | an insecure or missing locking device from a shackle or anchor pin. | Major |
| 3 | Coil Spring or Torsion Bar: | |
| a. | (i) incomplete. | Major |
| | (ii) incomplete and which obviously affects directional stability. | Dangerous |
| b. | fractured, cracked or repaired by welding. | Major |
| c. | corroded, pitted or seriously weakened so it is likely to fail. | Major |
| d. | torsion bar fixings with excessive free play, insecure, or an adjustment assembly incorrectly fitted and/or insecurely locked. | Major |
| e. | incorrectly located or fitted. | Major |

Heavy Goods Vehicle Inspection Manual

48 Suspension

4	Air/Fluid Suspension Systems Valves, pipes, Valve linkage, Bellows and Displacer/Accumulator Unit:	
a.	displaced, deflated, kinked and/or so damaged/deteriorated that it likely to fail.	Major
b.	fouled by other parts.	Major
c.	with a check strap missing or defective.	Major
d.	insecure.	Major
e.	(i) leaking.	Major
	(ii) leaking to such an extent that the function of the system is seriously affected.	Dangerous
f.	system inoperable.	Dangerous
5	Bonded Suspension Unit:	
a.	with failure of bonding between flexible element and metal so that part of the unit is likely to fail.	Major
b.	unit is so damaged or deteriorated that it is no longer capable of carrying out its proper function.	Major
6	Shock Absorber:	
a.	missing from a vehicle on which it is a standard component.	Major
b.	with an anchorage fractured, unit insecure or with a sleeve damaged so that the unit is not functioning correctly.	Major
c.	leaking.	Major
d.	with an excessively worn rubber bush or pivot.	Major
e.	linkage missing, linkage bracket cracked so that it is likely to fail, fractured or cracked or excessively worn.	Major

Heavy Goods Vehicle Inspection Manual
53 Axles, Stub Axles and Wheel Bearings

Application

This inspection applies to the steered wheels of all vehicles and trailers.

Procedure and Standards

A steered axle is one which has a king pin or ball joints and can be turned to a left and right lock. An axle ceases being steered when it is fixed in the straight ahead position.

When assessing excessive wear, play or king pin clearance (lift) account must be taken of any information given below and/or manufacturers' data.

With the wheels on the ground king pin clearance is assessed between the stub axle upper yoke and beam axle using feeler gauges.

With the wheels off the ground kin pin clearance may be measured between the stub axle lower yoke and beam axle.

For vehicles fitted with a "Hives" type thrust bearing any clearance greater than 1.6mm would be considered excessive and in the case of any other type of bearing lift greater than 1.0mm.

Side play in king pin and bushes. Any movement greater than 10mm on a 500mm diameter wheel is considered excessive. For wheels of different diameter the maximum allowable movement should be in proportion to this figure.

Wheel bearing free play can be isolated by applying the service brake.

Mercedes Sprinter range of vehicles have front suspension ball joints without springs, these joints are allowed up to 3.0 mm of axial play (lift) and 3.0 mm of radial play. Rejection is only justified when play exceeds the manufacturer's limits.

On a trailer steered axle where the axle has been welded in the straight ahead position this is not a deficiency. If steered axles are permanently locked in the straight ahead position a VTG10 is required (the presenter should be notified to submit a VTG10 using form VTG57).

Steered axles manufactured by BPW have a maximum clearance of 12 mm.

Renault Mascot vehicles with a design weight of 3.5 to 6.5 tonnes have a maximum king pin clearance of 1.2 mm.

Heavy Goods Vehicle Inspection Manual
53 Axles, Stub Axles and Wheel Bearings

Deficiency	Deficiency Category
<p>1 Stub axle and axle:</p> <p>a. (i) excessive clearance between stub axle and axle beam. Major</p> <p> (ii) excessive clearance between stub axle and axle beam which obviously affects directional stability. Dangerous</p> <p>b. fractured, cracked or deformed. Dangerous*</p> <p>c. (i) inappropriate modification to an axle. Major</p> <p> (ii) unsafe modification to an axle that obviously affects stability, functionality or gives insufficient clearance to other vehicle parts or the ground. Dangerous</p>	
<p>2 King Pin:</p> <p>a. (i) excessively loose in axle beam. Major</p> <p> (ii) excessively loose in axle beam which obviously affects directional stability. Dangerous</p> <p>b. king pin or bush excessively worn. Major</p> <p>c. retaining device missing or insecure. Major</p>	
<p>3 Swivel joint:</p> <p>a. (i) excessively worn. Major</p> <p> (ii) excessively worn to such an extent that directional stability is impaired. Dangerous</p> <p>b. insecure. Major</p> <p>c. retaining or locking device missing or insecure. Major</p>	
<p>4 Wheel bearing:</p> <p>(i) with excessive free play. Major</p> <p>(ii) with excessive free play, which obviously affects directional stability. Dangerous</p>	

Heavy Goods Vehicle Inspection Manual

54 Steering

Application

This inspection applies to all vehicles and to trailers with steered axles.

Procedure and Standards

A steered axle is one which has a king pin or ball joints and can be turned to a left and right lock. An axle ceases being steered when it is fixed in the straight ahead position.

Power steering must be inspected with the engine running. If vehicles are fitted with additional equipment, belt driven from the engine, where the belt may cause a hazard to the inspector they should be tested without the engine running. Examples are belt driven refrigeration compressors and air conditioning.

Exposure of structural cords on power steering hoses is acceptable provided that these cords are not damaged.

The hydraulic fluid level check only applies to readily visible reservoirs which can be checked without removing the reservoir cap.

For steered wheels on trailers and on any self steered axle, visually check joints and components for wear and condition.

With the road wheels on the ground rock the steering and check all steering joints and fixings.

Instruct the driver to rotate the steering wheel through its full working range. If a lock stop, which is known to be a standard fitment, is missing this is a deficiency. It should be noted however that in some cases there is provision for extra lock stops which are not a standard item. Where two are fitted only one needs to fulfil the function **on each lock**. They may be integral with the steering mechanism.

If carrying out a steering full lock check with the wheels raised; any steering component, road wheel or tyre fouls any part of the vehicle when the vehicle is raised but does not foul any of these items when the vehicle is on the ground under normal running conditions, this is not to be considered a deficiency.

Vehicles with independent front suspension should be checked with the suspension in the normal running position.

Common means of acceptable locking devices are:

Anti-rattle washers, split pins, lock wire, spring washers, nyloc nuts, liquid locking compounds and self locking castle type nuts.

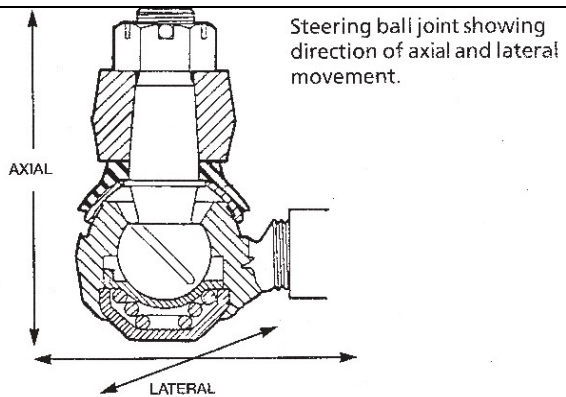
If vehicles have their self steered axles welded in the straight ahead position please contact T&SS Swansea.

If a plain flat washer is used with a spring washer the locking action of the spring washer becomes ineffective.

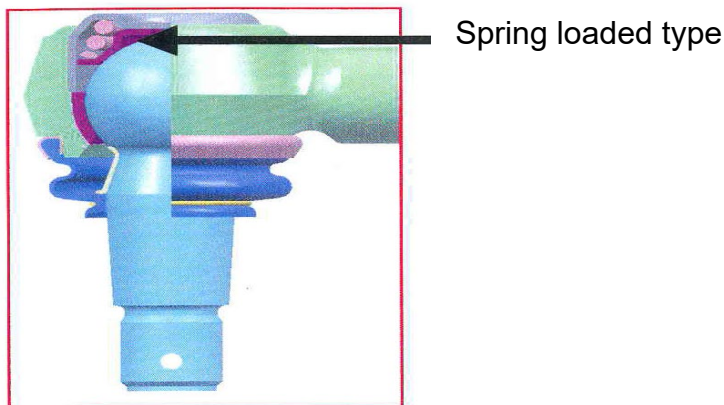
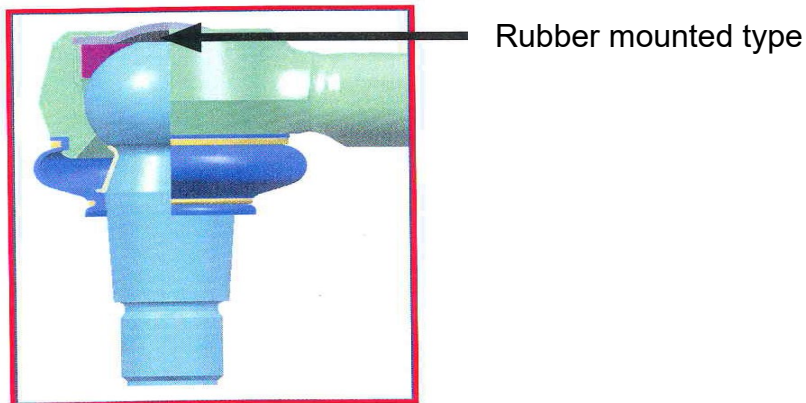
Heavy Goods Vehicle Inspection Manual

54 Steering

Visually check for axial and lateral movement of all ball joints. Where a ball joint is fitted with a spring to take up such movement, the compression of the spring must not be mistaken for excessive wear. If excessive wear is suspected check by using hand pressure.



An increasing number of vehicles are now fitted with different types of ball joint, spring loaded or rubber mounted type each having different wear limits (some vehicle may be fitted with both types of joint). The rubber mounted type has a smaller wear limit than the spring loaded type.



Certain ball joints are designed only to swivel fore and aft and not side to side (front drag link ball joints only, as fitted on the Volvo and Renault range of vehicles). In an attempt to swivel the joint you may hear a knocking sound this is normal, as this is the device to stop it swivelling. The only wear limits that should be taken into account for the annual test is axial movement. Where lateral movement is evident in the ball joint it must be confirmed that axial movement in excess of 2mm exists before a defect is justified.

Other manufacturers with conventional ball joints have also stated that axial movement up to 2mm is acceptable.

Heavy Goods Vehicle Inspection Manual

54 Steering

Deficiency	Deficiency Category
1	
Power Steering:	
a. (i) not working correctly.	Major
(ii) not working correctly and obviously affects steering control.	Dangerous
b. (i) removed or disconnected when a standard fitment.	Major
(ii) removed or disconnected when a standard fitment and obviously affecting steering control.	Dangerous
c. with an air/fluid leak from any part of the system.	Major
d. (i) reservoir is below minimum level.	Minor
(ii) reservoir is empty.	Major
e. (i) pump insecure or its drive system missing or defective.	Major
(ii) pump insecure or its drive system missing or defective and obviously affects steering control.	Dangerous
f. (i) pipe or hose excessively corroded, damaged, bulging or fouling other parts of the vehicle.	Major
(ii) pipe or hose excessively corroded, damaged, bulging or fouling other parts of the vehicle which obviously affects steering control.	Dangerous
g. (i) with a cracked or damaged ram and/or ram body anchorage, any excessive free play at ram anchorage.	Major
(ii) with a cracked or damaged ram and/or ram body anchorage, any excessive free play at ram anchorage, which obviously affects steering control.	Dangerous
h. with excessive free play between ball and valve to the extent that separation is likely.	Dangerous
i. (i) with cables damaged, excessively corroded.	Major
(ii) with cables damaged, excessively corroded to such an extent that the steering is affected.	Dangerous
j. (i) with a system component with an inappropriate modification.	Major

Heavy Goods Vehicle Inspection Manual

54 Steering

	(ii) a system component with an unsafe modification which has seriously weakened the component, does not provide sufficient clearance to other vehicle parts or renders the steering component inoperative.	Dangerous
	k. EPS malfunction indicator lamp indicates a fault.	Major
2	Steering with:	
	a. (i) a ball pin shank loose.	Major
	(ii) a ball pin shank loose to such an extent that separation is likely.	Dangerous
	b. a sharp or deep groove at the neck of a ball pin.	Major
	c. (i) a track rod or drag link end insecure.	Major
	(ii) a track rod or drag link end insecure to such an extent that separation is likely.	Dangerous
	d. (i) any abnormal movement in a joint.	Major
	(ii) any abnormal movement in a joint to such an extent that separation is likely.	Dangerous
	e. (i) movement between sector shaft and drop arm.	Major
	(ii) movement between sector shaft and drop arm to such an extent that separation is likely.	Dangerous
	f. excessive wear in a pivot point (e.g. an intermediate drop arm).	Major
	g. (i) a component fixed to the chassis insecure.	Major
	(ii) a component fixed to the chassis insecure to such an extent that separation is likely.	Dangerous
	h. (i) movement between a steering arm and its fixings.	Major
	(ii) movement between a steering arm and its fixings to such an extent that separation is likely.	Dangerous
	i. a component fractured or so cracked, damaged, misaligned, deformed or so worn that it is likely to fail.	Dangerous*
	j. a retaining or locking device ineffective, not fitted or insecure.	Major

Heavy Goods Vehicle Inspection Manual

54 Steering

k.	a steering lock stop missing, insecure or not fulfilling its function.	Major
l.	(i) a component repaired by welding and or showing signs of excessive heat being applied.	Major
	(ii) a component repaired by welding and or showing signs of excessive heat being applied, which obviously affects the steering control.	Dangerous
m.	any steering component, road wheel or tyre fouling any part of the vehicle.	Major
n.	(i) track rod excessively deformed.	Major
	(ii) track rod excessively deformed and obviously affects steering control.	Dangerous
o.	roughness or undue stiffness in the operation of the steering.	Major
p.	(i) excessive lift or end float of a sector shaft.	Major
	(ii) excessive lift or end float of a sector shaft to such an extent that functionality is affected.	Dangerous
q.	(i) excessive wear in the steering rack.	Major
	(ii) excessive wear in the steering rack to such an extent that functionality is obviously affected.	Dangerous
r.	(i) excessive movement of rack housing in mounting bushes.	Major
	(ii) excessive movement of rack housing in mounting bushes to such an extent that steering control is obviously affected.	Dangerous
s.	a rack gaiter (if rack originally fitted with gaiters) split, damaged, missing or displaced.	Major
t.	(i) a ball joint cover damaged or deteriorated but not to the extent that it would no longer prevent the ingress of dirt etc.	Minor
	(ii) a ball joint cover missing, insecure, excessively damaged or severely deteriorated to the extent that it would no longer prevent the ingress of dirt etc.	Major
u.	leak of oil or grease.	Major
v.	(i) gear casing fractured.	Major

Heavy Goods Vehicle Inspection Manual

54 Steering

- | | | |
|----|---|-----------|
| | (ii) gear casing fractured and obviously affects steering control or the casing is likely to become detached. | Dangerous |
| w. | (i) with a system component with an inappropriate modification. | Major |
| | (ii) a system component with an unsafe modification which has seriously weakened the component, does not provide sufficient clearance to other vehicle parts or renders the steering component inoperative. | Dangerous |

Heavy Goods Vehicle Inspection Manual

57 Transmission

Application

This inspection applies to all vehicles including Hybrid Electric Vehicles (HEVs), Electric Vehicles (EVs) and to trailers with driven axles.

Procedure and Standards

Vehicles must be in neutral gear and with any transmission brake released during this inspection.

The presenter should be advised if any shaft or carrier locking device is missing or ineffective.

Refusal for excessive wear of a universal joint is only justified when radial movement indicates that needle roller bearings are missing from one or more cups.

Transmission shafts include those shafts that transmit drive for HEVs and EVs.

Propeller shaft spline wear is not a deficiency.

A power take off prop shaft universal joint is not subject to this inspection.

Heavy Goods Vehicle Inspection Manual

57 Transmission

Deficiency	Deficiency Category
<p>1 All vehicles with:</p> <p>a. (i) a missing or insecure propshaft flange bolt.</p> <p> (ii) insecure or missing propshaft flange bolts to such an extent that detachment is likely.</p> <p>b. (i) any flange cracked or insecure.</p> <p> (ii) any flange cracked or insecure to such an extent that detachment is likely.</p> <p>c. (i) excessive wear in a shaft bearing.</p> <p> (ii) excessive wear in a shaft bearing to such an extent that detachment is likely.</p> <p>d. (i) a bearing housing insecure, cracked or fractured.</p> <p> (ii) a bearing housing insecure, cracked or fractured to such an extent that detachment is likely.</p> <p>e. (i) excessive wear in a universal joint.</p> <p> (ii) excessive wear in a universal joint to such an extent that detachment is likely.</p> <p>f. (i) deterioration of a flexible coupling.</p> <p> (ii) deterioration of a flexible coupling such that failure is imminent.</p> <p>g. a seriously damaged, cracked or bent shaft or a shaft which is fouling on other components.</p> <p>h. (i) deterioration, fracture or insecurity of a bearing housing flexible mounting.</p> <p> (ii) deterioration, fracture or insecurity of a bearing housing flexible mounting such that failure is imminent.</p>	<p>Major</p> <p>Dangerous</p> <p>Major</p> <p>Dangerous</p> <p>Major</p> <p>Dangerous</p> <p>Major</p> <p>Dangerous</p> <p>Major</p> <p>Dangerous</p> <p>Major</p> <p>Dangerous</p> <p>Major</p> <p>Dangerous</p>
<p>2 Front wheel drive shafts with:</p> <p>a. (i) a constant velocity or universal joint excessively worn or insecure.</p>	<p>Major</p>

Heavy Goods Vehicle Inspection Manual

57 Transmission

	(ii) a constant velocity or universal joint excessively worn or insecure to such an extent that failure is imminent.	Dangerous
b.	(i) a flexible coupling severely cracked, softened or breaking up.	Major
	(ii) a flexible coupling severely cracked, softened or breaking up such that failure is imminent.	Dangerous
c.	(i) a constant velocity gaiter insecure, damaged or deteriorated but not to the extent that it would no longer prevent the ingress of dirt etc.	Minor
	(ii) a constant velocity gaiter missing, insecure, excessively damaged or severely deteriorated to the extent that it would no longer prevent the ingress of dirt etc.	Major

Heavy Goods Vehicle Inspection Manual

58 Additional Braking Devices

Application	
This inspection applies to all vehicles and trailers where a device is fitted or required.	
Procedure and Standards	
<p>If the device has been removed and it is mandatory this will be a deficiency, if the device is not mandatory the operator should be advised to submit a notifiable alteration form VTG10 using form VTG57. Where an exhaust brake operating cylinder and lever are completely removed, the housing containing the butterfly may be retained with the butterfly fixed in the open position.</p> <p>Hybrid Electric Vehicles (HEVs) and Electric Vehicles(EVs) where the power train equipment acts as a regenerative brake, the unit(s) should be inspected as if it is an additional braking device. This should be marked on the technical record.</p> <p>Air leaks for operating mechanisms of hydraulic retarders or exhaust brakes should be tested under item IM59 and only be refused if the leak is affecting the braking system.</p> <p>The check of operation is made by visual assessment to establish the likelihood of correct fitment and function, rather than to see actual operation. Refusal is justified only when it is obvious that a device is inoperative i.e. a disconnected linkage.</p> <p>Any inoperative device will be a deficiency irrespective of whether it is mandatory or not.</p> <p>If a vehicle is fitted with an electric retarder and the warning lamp does not illuminate when the retarder is operated, this is not a deficiency.</p> <p>Damage and security of wiring for additional braking devices is assessed using IM42. Where the damage or insecurity affects the operation, deficiency 1c below must also be used.</p>	
Deficiency	Deficiency Category
<p>1 Additional Braking device:</p> <p style="padding-left: 20px;">a. missing when known to be a mandatory item.</p> <p style="padding-left: 20px;">b. (i) components missing, insecure, or damaged.</p> <p style="padding-left: 40px;">(ii) components missing, insecure, or damaged to such an extent the device is inoperative.</p> <p style="padding-left: 20px;">c. wiring insecure or damaged to such an extent the device is inoperative.</p> <p style="padding-left: 20px;">d. with inadequate clearance with other components.</p> <p style="padding-left: 20px;">e. heat shield missing</p> <p style="padding-left: 20px;">f. component or its surroundings overheating.</p> <p style="padding-left: 20px;">g. with exhaust gas or oil leaks from the device.</p>	<p style="text-align: right;">Major</p> <p style="text-align: right;">Minor</p> <p style="text-align: right;">Major</p> <p style="text-align: right;">Major</p> <p style="text-align: right;">Major</p> <p style="text-align: right;">Major</p> <p style="text-align: right;">Major</p> <p style="text-align: right;">Major</p>

Heavy Goods Vehicle Inspection Manual
59 Brake Systems and Components

Application

This inspection applies to all vehicles and trailers.

Procedure and Standards

Automatic slack adjusters must be fitted to motor vehicles first used from and trailers manufactured from 1 April 1995.

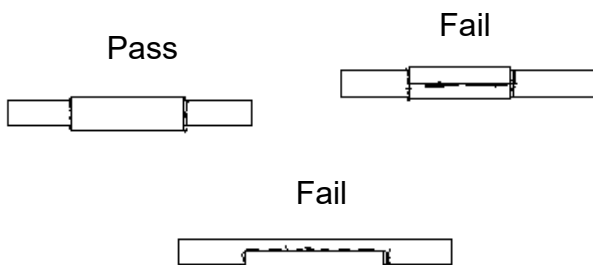
A rod or lever reduced by more than one third of its original diameter is considered a deficiency.

A pipe with its wall thickness reduced by more than one third of its original thickness is considered a deficiency.

Cables with less than 10% of the wires fractured are not regarded as a deficiency unless there is bunching or likelihood of bunching, where the cable enters an outer cable, guide or sleeve.

A hose should be considered a major or dangerous deficiency for surface cracking or damage by chafing only if the reinforcement is visible.

Repairs to metal air brake pipes by sleeving are acceptable, providing the repair appears to be good and sound. A pipe repaired in-situ by brazing is not considered acceptable. Repairs to hydraulic brake pipes are not acceptable. Compression joints of the type using separate ferrules are not considered suitable for joints on hydraulic pressure lines.



Guidance on sleeved repairs of metal brake pipes (sleeving is not acceptable on plastic brake pipes).

The air pipe between the compressor and the reservoir is to be taken as a brake pipe.

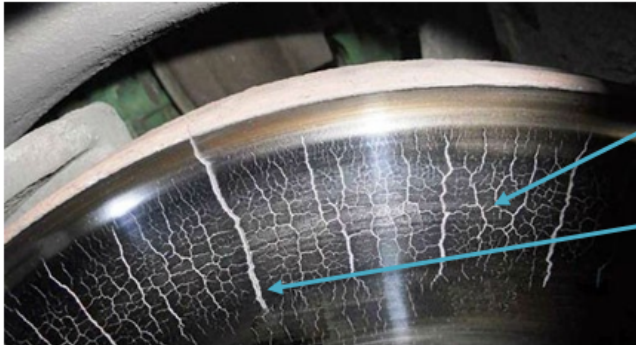
Lever slack adjusters; up to a total of 9.5mm radial movement at a radius of 150mm is considered acceptable within the slack adjuster and between the slack adjuster and cam cross shaft. Slack adjusters must have a secure fastening to the cross shaft including a locking device.

Slack adjusters with different lever lengths on the same axle are not a deficiency, but the presenter needs to be informed (using form VTG57) to complete a VTG10 notifiable alteration form.

Hydraulic brake callipers are included in the term hydraulic actuators.

Brake discs and drums

The photo below shows the type of damage likely to be found on brake discs and gives guidance on how much damage is acceptable before considering a deficiency. This should be a visual assessment.



A. Unevenness in the disc surfaces <math>< 1.5\text{ mm}</math> = **acceptable**

B. Interlinked cracks or surface crazing = **acceptable**

C. A crack running from disc edge towards hub centre up to max. 75% of the width of the friction surface, and a maximum of 1.5mm wide and/or deep = **acceptable**



Brake disc fracture = **not acceptable**



Brake drum fracture = **not acceptable**

The above photos are for reference only

Damp patches around valves or adjacent components are not a deficiency. Only where there is evidence of heavy discharge of oil from the valve at the time of test should there be a defect.

To check the condition of brake pipes including the output side of the compressor, valves, hydraulic master & wheel cylinders it will be necessary to ask the driver to pressurise the braking systems. There is no requirement for a specific check on the operation of all valves, however where it is obvious that a valve is malfunctioning during any stage of the test, this is considered a deficiency.

When assessing the significance of leaks, it should be remembered that certain pneumatic components are subject to leakage to some degree.

Vented master cylinders as fitted in particular to some Bedford vehicles may be subject to some dampness around the vent, due to fluid in the bores of the cylinder used to lubricate the piston seals, this should not be treated as a defect.

Quick Release Valves/Spring Brake Systems; On trailers fitted with spring brake systems a controlled discharge of air may occur from the quick release valve when the service brake is applied with the spring brakes in the off position, this is acceptable and should not be treated as a defect.

The following vehicle/trailer types require an adapter to be fitted to inspect the trailer secondary brake operation:

- Two line drawing vehicles coupled to three line trailers.
- Three line drawing vehicles with no separate secondary control coupled to three line trailers.

The following procedure should be carried out:

- Supply a suitable adapter and request the driver to connect the tractor/drawing vehicle service line to the trailer secondary line and request the driver to operate the brake (If spring brake actuators are fitted to the vehicle/trailer inspect the components of this system with the park brake in the “off” position).
- Instruct the driver to remove the adapter and reconnect the brake lines. Check the reconnection by instructing the driver to apply the footbrake and note the operation.

If the secondary brake (blue line) has been disconnected without approval, this is not a defect. The presenter must be advised (using form VTG57) to submit a VTG10 Notifiable Alteration.

BPW axles brake callipers may have 6 holes and only 5 bolts fitted.

Two line trailers are not fitted with secondary brakes. Some drawing vehicles where the nominated secondary brake is the split service brake do not operate the trailer brakes when the hand park brake control is applied. This is not a defect.

Reservoirs can be repaired by welding the term reservoir includes accumulators and other types of vacuum & pressure vessels.

The hydraulic fluid contamination and level check only applies to readily visible reservoirs which can be checked without removing the reservoir cap.

It is not a requirement for Load Sensing Valves (LSV) to be moved manually to check their operation. In most cases a slight movement can be detected when the service brake is applied which is sufficient evidence that the LSV is operating. Only in the minority of cases where, in the opinion of the tester, the LSV appears seized and it is the type of valve that can be checked easily by hand without the possibility of causing damage should this be carried out.

Pre 1995 vehicles which were fitted with automatic brake slack adjusters that have been removed and replaced with manual ones; if automatic slack adjuster brackets remain and are not being used this is acceptable.

If a brake chamber mounting bracket is fractured and parted it is considered insecure.

The following list gives guidance on when trailers manufactured before October 1 1982 may be required to have a load sensing valve or ABS as a mandatory fitment.

1. Pre 1982 and post 1968 semi or draw bar trailer with three line braking (service yellow line, secondary/auxiliary blue line and emergency red line) LSV and ABS are not required.
2. Pre 1968 trailer with any number of brake lines LSV or ABS are not required.
3. A post 1968 semi-trailer with a gross weight over 3500kg and converted to two line braking (type approved braking system) LSV or ABS required.
4. A post 1968 draw bar trailer with axle/s weight over 3500kg and converted to two line braking (type approved braking system) LSV or ABS required.
5. A trailer of any age with two brake lines and with an unladen weight 60% or less of the gross weight and can be demonstrate by calculations that the brakes comply with the requirements of the braking directive, LSV or ABS are not required.
6. Foreign trailers pre 1982 with two line brakes LSV or ABS may be required.
7. If you are not sure if a trailer is required to have LSV or ABS fitted contact Technical Services Swansea.

Missing or illegible LSV plate only applies to the following;

- Trailers first used on or after 29th October 2013.
- Trucks first used on or after 29th October 2014.

Some manufacturers use different sizes of brake chambers in addition to the standard sizes that have been used for many years and some manufacturers use common castings. For example a Type 22 can be made from a Type 24 casting. To avoid confusion the manufacturer fits a tag to confirm the chamber size. The first two digits are the service chamber size, if it is a spring brake the second two digits are the parking brake chamber size. This is an acceptable method of identifying chamber sizes.

Deficiency	Deficiency Category
<p>1 A brake rod, clevis joint, linkage, relay, lever, pin, pivot, slack adjuster or cable:</p> <p>a. seriously weakened by excessive wear, corrosion, damage or reduced in diameter by more than the prescribed limit.</p> <p>b. with abnormal movement indicating incorrect adjustment , or excessive radial free play.</p> <p>c. with an ineffective, insecure or missing locking device.</p> <p>d. (i) a brake cable knotted, or with more wires broken than permitted by the specified standard.</p> <p> (ii) a brake cable knotted, or with more wires broken than permitted by the specified standard which obviously affects the braking performance.</p> <p>e. cable guide is defective.</p> <p>f. automatic slack adjuster component incorrectly installed, missing, disconnected, insecure, distorted, fractured or inoperative.</p> <p>g. mandatory automatic slack adjuster not fitted.</p> <p>h. a brake fitted with an automatic slack adjuster exceeding two-thirds of the travel of the brake actuator, or obviously having a different travel from another brake on the same axle, or not returning fully when brakes are released.</p>	<p>Major</p> <p>Major</p> <p>Major</p> <p>Major</p> <p>Dangerous</p> <p>Major</p> <p>Major</p> <p>Major</p> <p>Major</p>
<p>2 Brake pipes and flexible hoses:</p> <p>a. (i) misplaced and fouled or chafed by moving parts, with no obvious damage evident.</p> <p> (ii) misplaced and fouled or chafed by moving parts with obvious signs of damage.</p>	<p>Minor</p> <p>Major</p>

- | | | |
|----|--|-----------|
| b. | (i) chafed, cracked with no reinforcement cords exposed, corroded, stretched or twisted. | Minor |
| | (ii) excessively chafed, cracked with reinforcement cords exposed, excessively corroded, deteriorated, leaking, bulging, kinked, stretched or twisted and damage evident. | Major |
| | (iii) excessively chafed, cracked with reinforcement cords exposed and damaged, excessively corroded, deteriorated, leaking, bulging, kinked, stretched or twisted and in such a condition that risk of failure is imminent. | Dangerous |
| c. | inadequately clipped or otherwise inadequately supported. | Major |
| d. | inadequately repaired or with unsuitable joint fittings. | Major |
| e. | non-metallic pipe(s) exposed to excessive heat. | Major |
| f. | leaking air from a pipe or connection. | Major |
| g. | leaking hydraulic fluid from a pipe or connection. | Dangerous |

3 Brake drums, back plates & shoes, discs, callipers & pads including friction material with:

- | | | |
|----|---|------------|
| a. | (i) a brake disc or drum excessively worn, or a brake disc cracked. | Major |
| | (ii) a brake back plate, disc or drum in such a condition that it is seriously weakened, fractured or insecure. | Dangerous* |
| b. | (i) a brake back plate or calliper securing bolt loose or missing. | Major |
| | (ii) a brake back plate or calliper securing bolts loose or missing to such an extent the back plate or calliper is insecure. | Dangerous |
| c. | (i) a brake, lining or pad less than 1.5mm thick at any point. | Major |
| | (ii) a brake, lining or pad, missing, incorrectly fitted, insecure or with the lining/pad no longer visible. | Dangerous |
| d. | restricted movement of a brake component. | Major |
| e. | (i) a brake drum, disc, lining or pad contaminated by oil or grease. | Major |
| | (ii) a brake drum, disc, lining or pad contaminated by oil or grease with the brake performance obviously affected. | Dangerous |

4	Reservoir:	
	a. (i) lightly corroded	Minor
	(ii) insecure, excessively corroded, or leaking.	Major
	b. (i) with damage or dents that do not significantly reduce the capacity.	Minor
	(ii) with damage or dents that obviously significantly reduce the capacity.	Major
	c. with a securing strap fractured, cracked, excessively corroded or chafing on the reservoir or other mounting.	Major
	d. missing where it is known to be a standard fitting.	Major
5	Actuators, hydraulic master & wheel cylinders, valves and servos:	
	a. (i) defective in operation.	Major
	(ii) defective in operation and brake performance affected.	Dangerous
	b. (i) insecure but still operational.	Major
	(ii) insecure and brake performance affected.	Dangerous
	c. (i) leaking air or fluid, fractured, cracked, excessively damaged or corroded.	Major
	(ii) leaking air or fluid, fractured, cracked, excessively damaged or corroded and brake performance is affected.	Dangerous
	d. with a locking device missing or insecure.	Major
	e. (i) with insufficient or excessive travel of operating mechanism indicating a need for adjustment.	Major
	(ii) with insufficient or excessive travel of operating mechanism indicating a need for adjustment and brake performance is affected.	Dangerous
	f. with a cap missing from a hydraulic master cylinder and/or fluid obviously contaminated.	Major

	g.	(i) fluid below minimum level or level warning device defective/activated.	Minor
		(ii) fluid significantly below minimum level.	Major
		(iii) no visible fluid.	Dangerous
	h.	with a valve with excessive discharge of oil.	Major
	i.	a load sensing valve removed or disconnected when it is known to be a standard fitment.	Dangerous
	j.	(i) a load sensing valve obviously seized or restricted in its free movement, linkage or brackets cracked, defective or out of adjustment (ABS functioning).	Major
		(ii) a load sensing valve obviously seized or restricted in its free movement, linkage or brackets cracked, defective or out of adjustment. (No ABS function).	Dangerous
	k.	(i) hydraulic brake actuator dust cover damaged or deteriorated but not to the extent that it would no longer prevent the ingress of dirt etc.	Minor
		(ii) hydraulic brake actuator dust cover missing, insecure, excessively damaged or severely deteriorated to the extent that it would no longer prevent the ingress of dirt etc.	Major
6		A load sensing data plate is missing or illegible.	Minor
7		Air Compressor Drive:	
	a.	a drive belt missing, badly deteriorated and/ or so loose that it is likely to slip.	Major
	b.	a compressor drive pulley loose, cracked or missing.	Major
8		Trailer secondary brake defective in operation.	Major
9	(i)	inappropriate modification to any part of the braking system.	Major
	(ii)	unsafe modification to any part of the braking system and braking performance is affected.	Dangerous

Heavy Goods Vehicle Inspection Manual

62 Markers and Reflectors

Application

Rear Markings

This inspection applies to the vehicles and trailers listed below which must be fitted with rear markers. They are not required with rear conspicuity markings but may be incorporated into the rear conspicuity markings (See page 6). The type of marking which is acceptable is shown in the table contained in the procedure and standards section, the type numbers refer to the types (1 to 13) shown in the table. Rear conspicuity marking is an acceptable alternative to marker boards, if fitted it must comply with the rear conspicuity requirements (see page 6).

Motor vehicles with a design gross vehicle weight exceeding 7500kg (not category T vehicles, articulated tractors and vehicles constructed or adapted for transporting two or more boats, vehicles or vehicle bodies).

Overall length	Acceptable type of markings for vehicle first used before 1 April 1996	Acceptable markings for vehicle first used from 1 April 1996
13m or less	1,2,3,6,7,8 or 9	6,7,8 or 9
more than 13m	4,5,10,11,12 or 13	10,11,12 or 13

Trailers with a design gross vehicle weight exceeding 3500kg (not trailers constructed or adapted for transporting two or more boats, vehicles or vehicle bodies).

Overall length of combination	Acceptable type of markings for trailers manufactured before 1 October 1995	Acceptable markings for trailers manufactured from 1 October 1995
11m or less	1,2,3,6,7,8 or 9	6,7,8 or 9
more than 11m but not more than 13m	Any type shown in the diagrams	6,7,8,9,10,11,12 or 13
more than 13m	4,5,10,11,12 or 13	10,11,12 or 13

Reflectors

This inspection applies to all motor vehicles and trailers but only obligatory reflectors are to be checked.

- Every motor vehicle and trailer requires 2 red reflectors facing to the rear.
- Trailers manufactured from 1 October 1990 require two white reflectors facing to the front.

Heavy Goods Vehicle Inspection Manual

62 Markers and Reflectors

Side reflectors

This inspection applies to:

- motor vehicles first used before 1 April 1986 with an overall length of more than 8m first used from 1 April 1986 with an overall length of more than 6m.
- trailers with an overall length of more than 5m excluding any drawbar.

Conspicuity Markings

This inspection applies to Goods vehicles with a design gross vehicle weight exceeding 7500kg first used on or after 10 July 2011 and Trailers with a design gross vehicle weight exceeding 3500kg first used on or after 1 January 2012:

Exemptions:

- Chassis cabs, incomplete vehicles and articulated tractors for semi-trailers
- Vehicles and trailers not exceeding 6 metres overall length (these are exempt the white or yellow side markings)
- Vehicles and trailers not exceeding 2.1 metres overall width (these are exempt the red or yellow rear markings)
- category T vehicles

For Vehicles of a specialised design or use characteristics see interpretation of terms section.

Heavy Goods Vehicle Inspection Manual

62 Markers and Reflectors

Procedure and Standards

Rear Markings

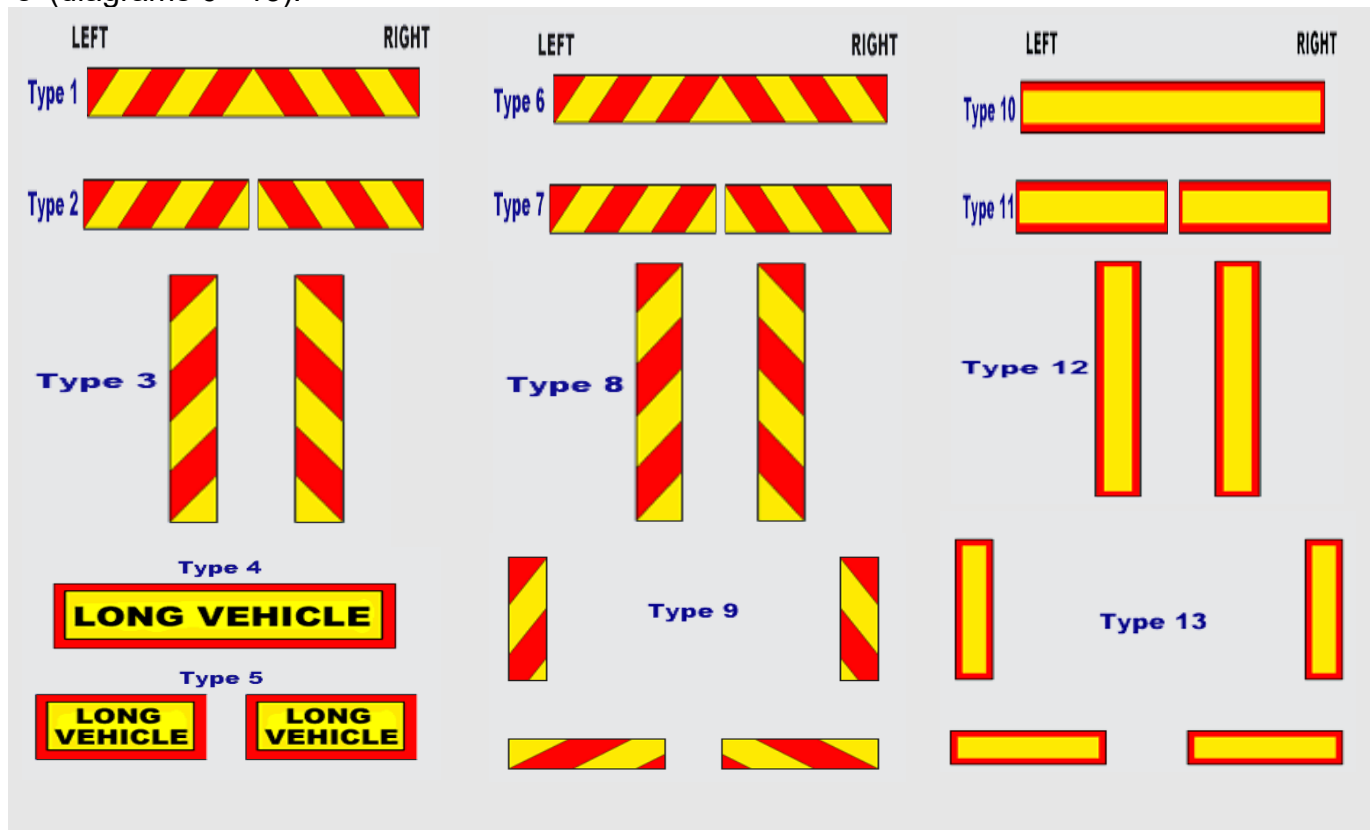
Rear markings must be fitted with the lower edge between 400mm and 1700mm from the ground. A rear marker must not be more than 10% obliterated or obstructed.

If the rear marker boards chevrons are fitted the opposite way around than shown below this is not a deficiency.

When a demountable fork lift is carried on the rear of a vehicle/trailer, the fork lift is not included into the overall length of the vehicle/trailer to establish what the correct type of marking fitted is. This would also apply to refuse vehicles with bin lifting equipment fitted to the rear of the vehicle.

Rear markings on a retractable rear under-run device are not a deficiency if the vehicle is presented towing a trailer and the vehicle rear markings are not visible.

Acceptable approval marks for rear marker boards are either BSAU152 (diagrams 1 - 5), 'E' or 'e' (diagrams 6 - 13).



Reflectors

The inspection does not include a check that the reflectors have the appropriate approval mark. Reflective plates or tape are not acceptable as a substitute for a reflector. The check for position should be visual and only vehicles with reflectors and markings obviously out of position should be refused for this reason.

Front Reflectors [trailers only]

The maximum height from the ground is 900mm, if this is impractical it can be 1500mm.

White front reflectors must be fitted to the front of each section of a combination trailer.

Heavy Goods Vehicle Inspection Manual

62 Markers and Reflectors

Rear Reflectors

The maximum height from the ground is 900mm. There are some exceptions:

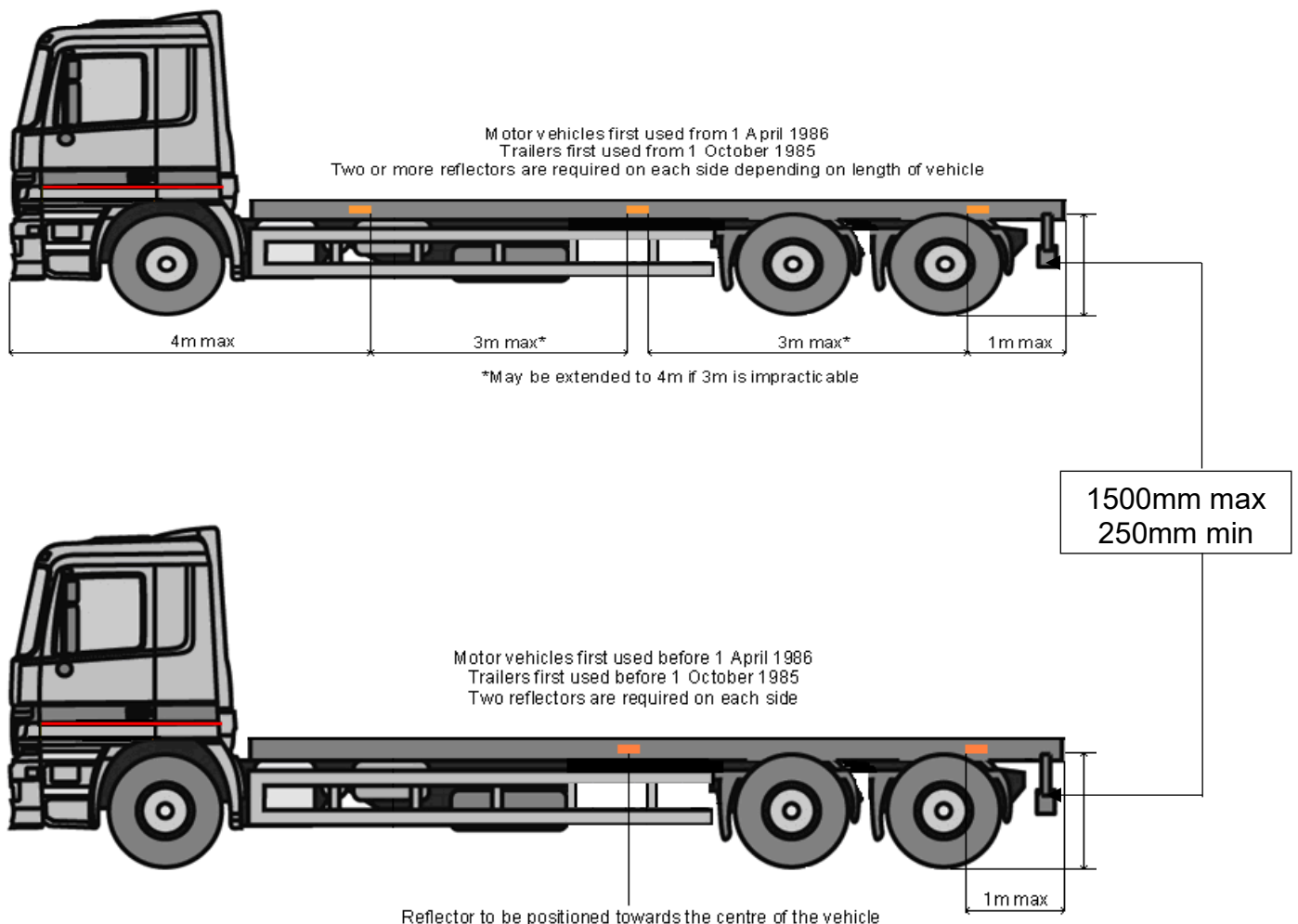
- If 900mm is impractical it can be 1500mm.
- For vehicles used before 1 April 1986 and trailers manufactured before 1 October 1985 the maximum height is 1525mm.

Trailers must be fitted with triangular (rear) reflectors, these are not acceptable on motor vehicles, this will be a minor deficiency under 1d.

Side reflectors

Side reflectors must be positioned as shown in one of the two diagrams below. They must be amber in colour unless within 1 m of the rear of the vehicle or trailer when they may be red.

Side Reflector Positional Requirements



If less than 50% of any reflector is visible, this is deficiency.

Heavy Goods Vehicle Inspection Manual

62 Markers and Reflectors

Conspicuity Markings

Configurations (see pages 6 & 7)

Markings should be continuous but may be broken, staggered or set back.

Vehicles and trailers may be presented with various markings, the minimum requirement (for annual test) is a line marking intended to indicate the horizontal dimensions of a vehicle by a continuous line.

Due to design characteristics it may not be possible for some vehicles to comply with all of the requirements.

The diagrams on pages 8 and 9 are only possible examples of variations.

Vehicles and trailers which have a chassis designed for demountable bodies should, ideally, be treated as skeletal. However they may be presented for test with a body fitted which has conspicuity markings instead of the chassis. Provided the markings comply with the requirements this is acceptable though the presenter should be advised that the vehicle or trailer would not meet the requirements if used without an appropriately marked body.

Heavy Goods Vehicle Inspection Manual

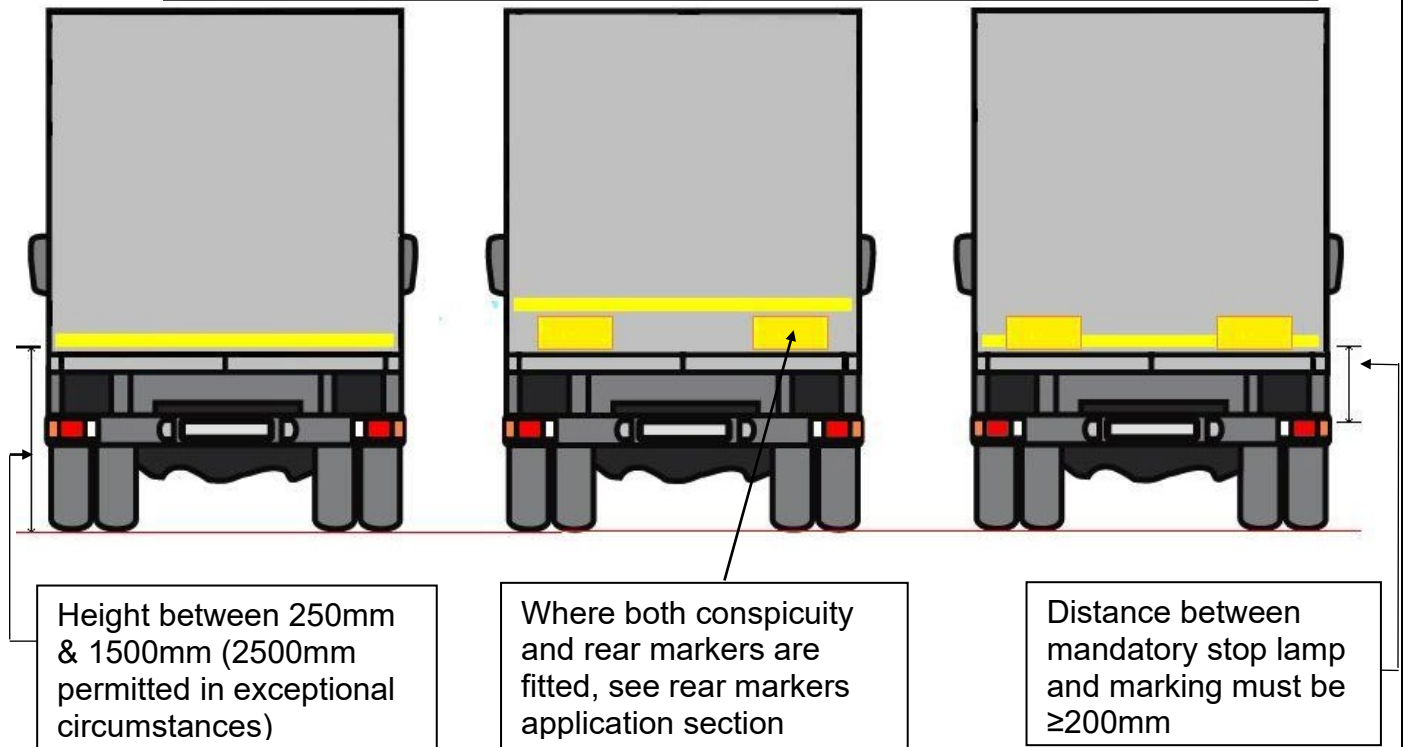
62 Markers and Reflectors

Rear conspicuity markings must:

- not be fitted within 200mm of a mandatory stop lamp.
- be coloured either red or yellow
- and
- be at least 70% of the vehicle width and extend as close as practicable to the edges of the vehicle or trailer.
- position the lowest edge between 250mm and 1500mm from the ground. If 1500mm is not practicable this can be increased to 2500mm.
- (See below)

Rear Conspicuity Marking Requirements

Horizontal markings must be at least 70% of the vehicle width and extend as close as practicable to the edges of the vehicle or trailer



Heavy Goods Vehicle Inspection Manual

62 Markers and Reflectors

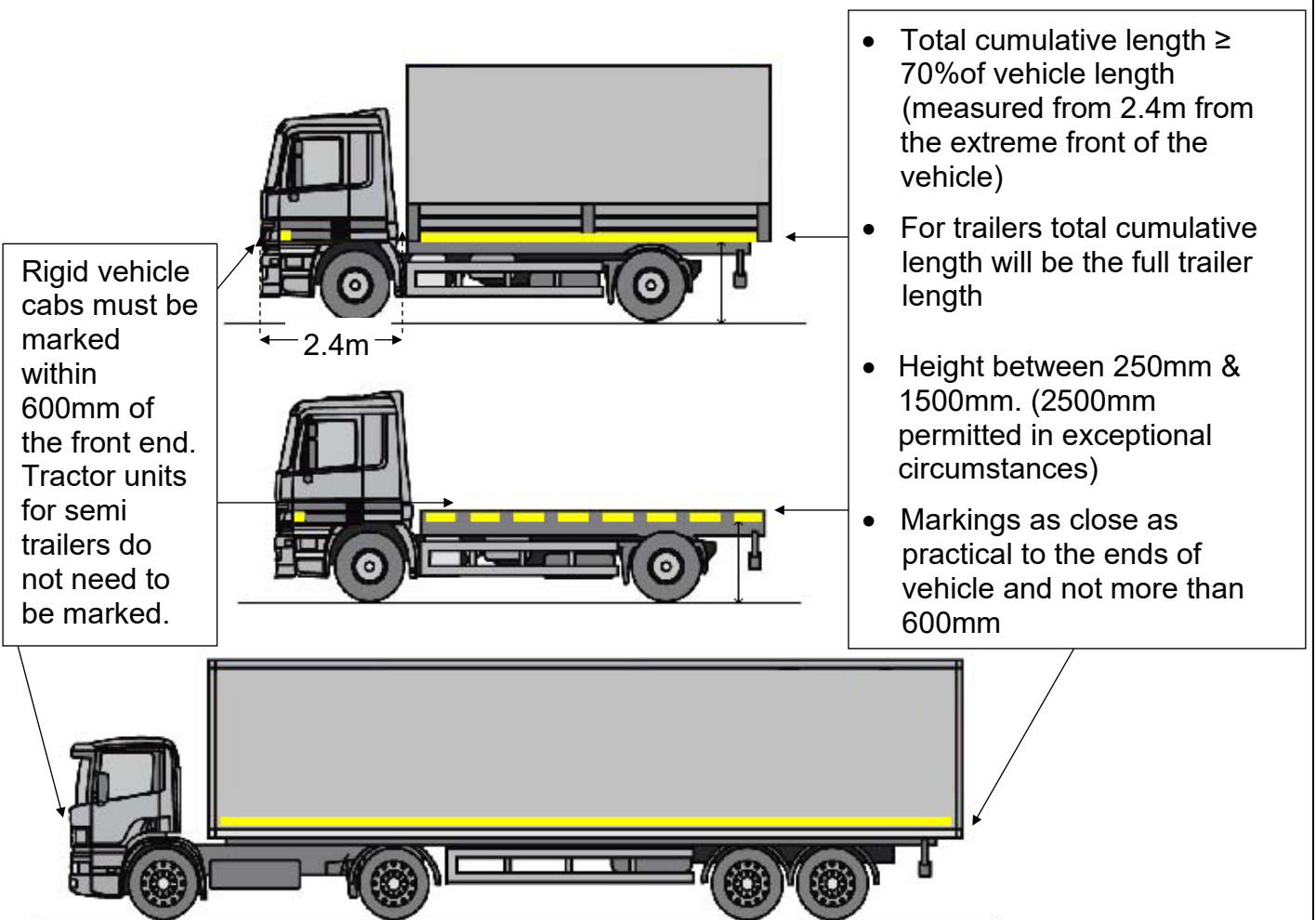
Side Conspicuity markings must:

- extend to within 600mm of each end of the vehicle/trailer (or for articulated vehicles, the trailer).
- for rigid vehicles be at least 70% of the vehicle length measured from 2.4m from the extreme front of the vehicle . Where side markings on a rigid vehicle meet the 70% requirement of the vehicle length on the body alone the cab must still be marked within 600mm of the front of the vehicle with a minimum marking size of 50 mm high by 50mm wide. Where this requirement is met any gaps between the cab markings and body markings must be disregarded.
- for semi and drawbar trailers be at least 70% of the trailer length.
- be coloured white or yellow.
- position the lowest edge between 250mm and 1500mm from the ground. If 1500mm is not practicable this can be increased to 2500mm.

(See below)

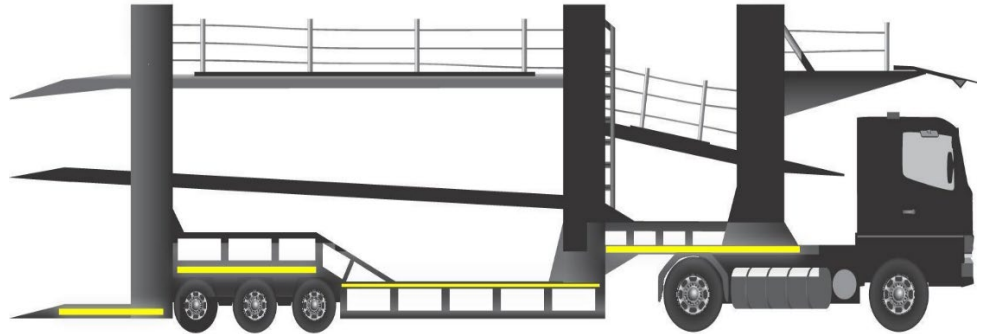
Note: As an alternative cab marking from using a 50mm X 50mm conspicuity marking within 600mm of the cab front, the cab may be marked using side reflectors with a minimum spacing of 600mm to within 600mm from the front of the cab.

Side Conspicuity Marking Requirements



Heavy Goods Vehicle Inspection Manual
62 Markers and Reflectors

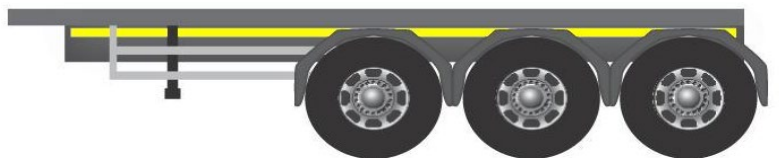
Car Transporter



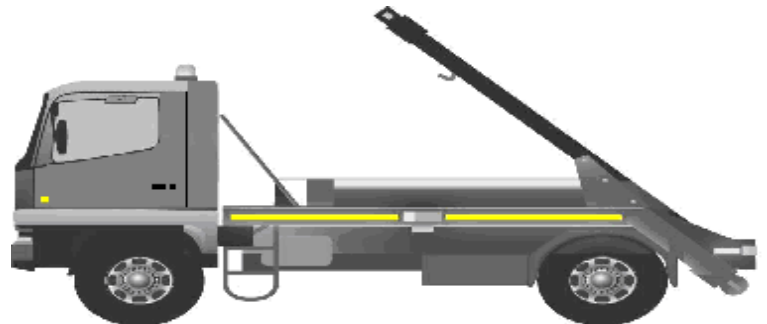
Concrete Mixer



Skeletal

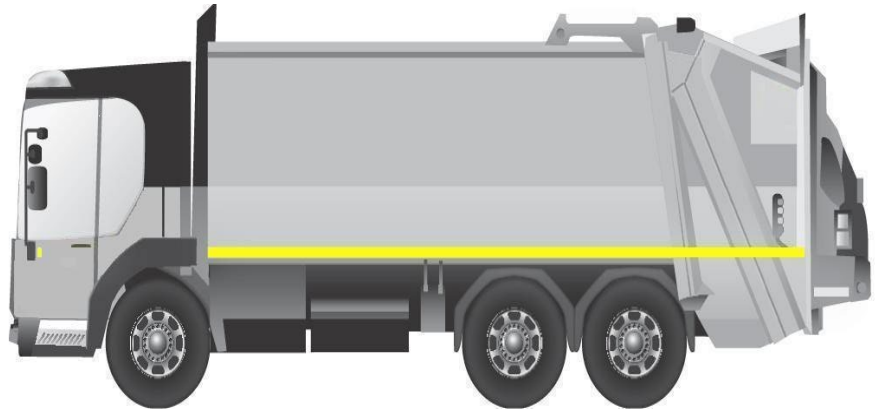


Skip Wagon



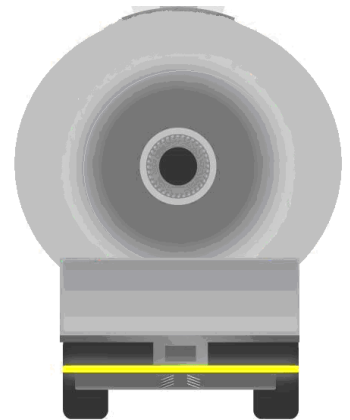
Heavy Goods Vehicle Inspection Manual
62 Markers and Reflectors

Refuse Wagon



Where both conspicuity and rear markers are fitted, see rear markers application section

Tanker



Heavy Goods Vehicle Inspection Manual
62 Markers and Reflectors

Deficiency	Deficiency Category
<p>1 Reflectors, conspicuity markings and/or rear markers:</p> <p>a. (i) incorrectly positioned. Minor</p> <p style="padding-left: 20px;">(ii) missing, incorrectly positioned and red colour is reflected to the front or white to the rear. Major</p> <p>b. (i) insecure. Minor</p> <p style="padding-left: 20px;">(ii) insecure and likely to become detached. Major</p> <p>c. not clearly visible. Minor</p> <p>d. of the incorrect type fitted. Minor</p> <p>e. (i) dirty or ineffective. Minor</p> <p style="padding-left: 20px;">(ii) so dirty or ineffective that its function is obviously impaired. Major</p> <p>f. (i) broken, damaged or incomplete. Minor</p> <p style="padding-left: 20px;">(ii) broken, damaged or incomplete to the extent that the reflecting area is significantly reduced. Major</p> <p>g. (i) not of the appropriate colour. Minor</p> <p style="padding-left: 20px;">(ii) not of the appropriate colour with red colour reflected to the front or white colour to the rear. Major</p>	

Heavy Goods Vehicle Inspection Manual

63 Lamps

Application

The inspection of front position lamps, headlamps, rear position lamps and registration plate lamps only applies to the obligatory lamps fitted.

The inspection of main beam warning lamps applies to all vehicles first used on or after 1 April 1986.

The inspection of daytime running lamps (DRLs) applies to any vehicles fitted with DRLs as original equipment first registered from 1 March 2018. Two DRLs must be fitted and no more, they must be white in colour. DRLs may not operate when the engine is not running or when the parking brake is applied. They can be manually switched off in which case they may not illuminate until the vehicle speed exceeds 10km/h or the vehicle has travelled 100m.

The inspection of stop lamps applies to any stop lamp fitted to vehicles and trailers.

The inspection of end outline marker lamps applies to the obligatory marker lamps fitted to:

- vehicles first used from 1 April 1991.
 - trailers manufactured from 1 October 1990.
- and which in both cases are more than 2.1m wide.

The inspection of rear fog lamps applies to any vehicle or trailer fitted with a rear fog lamp. Rear fog lamps must be fitted to vehicles first used, and trailers manufactured from 1 April 1980.

Obligatory reversing lamps are required for motor vehicles first registered from 1 September 2009.

The inspection of front fog lamps only applies to vehicles first registered from 1 March 2018 where they have them fitted.

The inspection of side marker lamps applies to all obligatory side marker lamps fitted to vehicles and trailers.

Side marker lamps must be fitted to:

- vehicles with an overall length exceeding 6m first used from 1 April 1991
 - trailers with an overall length exceeding 6m manufactured from 1 October 1990
 - trailers with an overall length exceeding 9.15m manufactured before 1 October 1990
- Vehicles first used before 1 April 1996** are exempt from the need to fit side marker lamps if they are fitted with all of the lighting and light signalling devices listed in items 1.5.7 to 1.5.20 of Annex 1 of Community Directive 76/756/EEC as amended. Motor vehicles which comply with these requirements will be fitted with a label showing a dipped headlamp and a percentage dip figure or/and a manual headlamp height adjuster control, readily accessible from the driver's seat and which operates both lamps simultaneously.

The inspection of headlamp cleaning devices applies to vehicles first registered from 1 September 2009 equipped with headlamp washers.

For Vehicles of a specialised design or use characteristics see interpretation of terms section.

Procedure and Standards

Inoperative non-obligatory lamps cannot be assessed other than the assessment of security as you cannot establish what lamp this is.

End outline Marker Lamps

End outline marker lamps are not required on vehicles designed to carry demountable bodies if the overall width without the body fitted is less than 2.1 m.

The front and the rear end out line markers lamps may be combined as for example on an articulated tractor.

The rear marker lamps on vehicles such as tippers and tankers and those designed to carry demountable bodies may be fitted at chassis level.

It is not acceptable for a position light to be used additionally as a marker lamp, a separate lamp must be fitted.

The end outline marker lamps fitted to the rear of a vehicle can also act as the rear most side marker lamp provided it is of the correct colour and position. It is not acceptable for a side marker lamp to operate as an outline marker lamp.

Front marker lamps are not required to be fitted to the front section of the rear half of a combination trailer.

Rear Fog Lamps

The rear fog lamps are permitted to be reciprocally incorporated with the rear position lamps providing the positional requirements are met (when the fog lamp is switched on the rear position lamps intensity increases to become the fog lamp).

Rear Fog lamps do not need to operate on modern trailers when drawn by vehicles first used before 1 April 1980.

Inspection of non-obligatory rear fog lamps is restricted to a check of colour and whether the operation of the brakes affects the fog lamp (deficiency 2c).

No more than two rear fog lamps may be fitted.

It is not a defect if the vehicles rear fog lamp does not operate when a trailer is towed. However the electrical connections to the trailer must be disconnected to confirm that the rear fog lamp/s operate when the vehicle is not towing a trailer.

One or two obligatory reversing lamps must be fitted to motor Vehicles. In addition to the obligatory lamps, motor vehicles up to 6m in length may have two optional lamps fitted. Motor vehicles over 6m in length may have up to four optional lamps (two of which may be fitted on the sides of the vehicle, one on each side). Reverse lamps fitted on the sides and behind the rear axle are treated as rear mounted reverse lamps.

Reversing lamps must operate automatically when reverse gear is selected or be operated by a switch with a tell-tale warning. On some vehicles, it may be necessary to have the engine running before reversing lamps will work. Where optional reversing lamps are fitted on the sides of body the side lamps will need to be selected as well as reverse gear.

Side marker lamps

Two or more marker lamps must be fitted at each side to ensure that the following is complied with:

Maximum distance of the foremost marker lamp from the front of the vehicle or trailer, including any drawbar	4m
Maximum distance of the rearmost marker lamp from the rear of the vehicle or trailer	1m
Maximum distance between the light emitting surfaces of adjacent marker lamps	3m or if this is not practicable 4m

Rear registration plate lamps

The clear cover for the bulb is not a lens.

The registration plate lamp must be fitted in a position where it can illuminate the registration plate. A lamp fitted in a position where it cannot do this is not a registration plate lamp and this should be dealt with under deficiency 1 b.

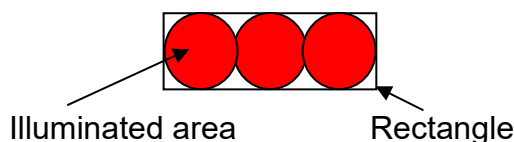
Where more than one registration plate lamp is fitted, any one inoperative lamp is a deficiency.

Obscuration of lamps, provided at least 50% of a lamp is visible this is not a deficiency.

Matched Pair means that the lamps emit light of the same colour and intensity and that both lamps are of the same size and are symmetrical to one another.

If more than one bulb or LED is fitted in the lamp at least 50% must work.

If two or more lamps are fitted and the aggregated illuminated area occupies 60% or more of the area of the smallest rectangle circumscribing the illuminated area this should be treated as one lamp.



Vehicles with fork lifts fitted to the rear of the vehicle. If the fork lift has lights to replace the vehicles which may be obscured, the lights on the fork lift must comply with the annual test standards.

The check for position should be visual and only vehicles with lamps obviously out of position should be refused for this reason (not applicable to lamps fitted to rear under-run devices that fold underneath the load deck to accommodate the attachment of a trailer).

Before defecting the operation of a lamp being affected by the operation of another lamp. The engine should be run to charge the electrical system.

Light that bleeds through from an adjacent lamp is acceptable provided the illuminated light lens does not change colour.

Gas discharge lamps, blue tint bulbs and lamps with neutral colour lenses are acceptable providing when lit the light emitted is white or; if it is a direction indicator is amber or in the case of a stop lamp red.

Vehicles equipped with dim dip require the front position lamps to be checked for operation with the ignition switched off.

HID Lamps may be identified by:

- taking a few seconds to reach full intensity
- having a bluish tinge to the light
- having an igniter module/inverter behind the headlamp
- having 'DCR' marked on the headlamp lens or body.

HID headlamps use high voltage and extra care should be taken when inspecting these items.

A summary of the main requirements for each type of lamp is shown below.

TYPE		DATE OF FIRST USE (MANUFACTURE FOR TRAILERS)	POSITION			COLOUR
			MAX DISTANCE FROM SIDE (MM)	MAX HEIGHT (MM)	MINIMUM HEIGHT (MM)	
Front Position Lamps	Motor Vehicles	From April 1986	400	1500 or if impracticable 2100	-	White or yellow if in a headlamp which shows yellow light
		Before April 1986	510	2300	-	
	Trailers	From October 1985	150	1500 or if impracticable 2100	-	White
		Before October 1985	510	2300	-	
Front End Outline Marker Lamp	Motor Vehicles	From April 1991	400	-	The top of the lamp shall be no lower than the top of the windscreen	White
	Trailers	From October 1990	400	-	As high as possible with regard to the lateral position, and the use for which the vehicle is constructed	
Dipped Beam Headlamp		From 1972 (refer to Lighting regulations for earlier vehicles)	400 Being a matched pair	1200	500	White or Yellow
Main Beam Headlamp		From 1931		-	-	White or Yellow
Rear Position Lamps	Motor Vehicles	From April 1986	400	1500 or if impracticable 2100	350	Red
	Trailers	From October 1985				
	Motor Vehicles	Before April 1986	800	2100	-	
	Trailers	Before October 1985				

Rear End Outline Marker Lamps	Motor Vehicles	From April 1991	400	-	As high as possible with regard to the lateral position, and the use for which the vehicle is constructed	Red
	Trailers	From October 1990				
Stop Lamps		From 1971 (refer to Lighting regulations for earlier vehicles)	One on each side with a minimum separation distance of 400mm	1500 or if impracticable 2100	350	Red
Rear Registration Plate Lamp		All vehicles and trailers	-	-	-	White
Rear Fog Lamp	Motor vehicles and trailers	From April 1980	Where one lamp is fitted: On centre line or offside of vehicle.	1200	250	Red
Front Fog Lamp		From March 01 2018	400	800 No higher than the dipped beam lamps	250	White or Yellow
Side Marker Lamps	Motor vehicles	1 April 1991	-	2300	-	Amber or red if within 1m of the rear of the vehicle.
	Trailers	1 October 1990	-	2300	-	Amber or red if within 1m of the rear of the trailer or if fitted to a trailer built before October 1990 exceeding 9.15m in length one side marker lamp on each side, positioned longitudinally such that no part of the light emitting surface is forward of, or more than 1530mm to the rear of, the centre point of the overall length of the trailer. The lamp may show a white light to the front and a red light to the rear, or alternatively amber.
Reversing Lamps	Motor vehicles	From September 01 2009	-	1200	250	White
Optional Day Time Running lamps	Motor vehicles	From March 01 2018	400	1500	250	White

Deficiency	Deficiency Category
<p>1 For all lamps:</p> <p>a. (i) any lamp insecure but unlikely to become detached.</p> <p> (ii) any lamp insecure and likely to become detached.</p> <p>b. an obligatory lamp missing or inoperative.</p> <p>c. (i) an obligatory lamp dim due to dirt or internal deterioration or with a partially reduced light output.</p> <p> (ii) an obligatory lamp dim due to dirt or internal deterioration or with an obvious major reduction in light output.</p> <p>d. (i) an obligatory lamp lens obscured partially, insecure, or damaged but not likely to fall apart.</p> <p> (ii) an obligatory lamp lens missing, obscured, insecure and or damaged so it is likely to fall apart.</p> <p>e. (i) an obligatory lamp not showing a light of the right colour.</p> <p> (ii) an obligatory lamp not showing a light of the right colour with red light shown to the front or white light shown to the rear.</p> <p>f. an obligatory lamp incorrectly positioned.</p> <p>g. an obligatory lamp is affected by the operation of any other lamp.</p>	<p>Minor</p> <p>Major</p> <p>Major</p> <p>Minor</p> <p>Major</p> <p>Minor</p> <p>Major</p> <p>Minor</p> <p>Major</p> <p>Major</p>
<p>2 Rear Fog lamp: (in addition to 1 above)</p> <p>a. tell-tale light not fitted, not working or cannot be seen by the driver.</p> <p>b. more than two rear fog lamps are fitted.</p> <p>c. non obligatory rear fog lamp(s) affected by the operation of the foot brake and or shows the incorrect colour.</p>	<p>Major</p> <p>Major</p> <p>Major</p>
<p>3 Stop lamps: (in addition to 1 above)</p> <p>a. Any stop lamp not showing a steady red light when the brakes are applied.</p> <p>b. No stop lamps show a steady red light when the brakes are applied, or all lamps do not go out when the brakes are released.</p>	<p>Major</p> <p>Dangerous</p>

4	Headlamp: (in addition to 1 above)	
a.	not forming part of a matched pair.	Major
b.	not positioned symmetrically in relation to the other lamp.	Major
c.	one of a matched pair does not show a light of the same intensity and colour as the other.	Major
d.	a main beam headlamp cannot be switched off by operating one switch which at the same time leaves a pair of dipped beams.	Major
e.	main beam warning lamp does not illuminate when main beam is selected and extinguish when dipped beam is selected.	Major
f.	(i) cleaning device inoperative.	Minor
	(ii) cleaning device inoperative for LED or gas discharge (HID) systems.	Major
5	A rear registration plate lamp (in addition to 1 above) throws direct light to the rear.	Major
6	Front fog lamp (in addition to 1 above) inoperative.	Major
7	Reversing lamp (in addition to 1 above):	
a.	does not operate automatically when reverse gear is selected.	Major
b.	more than two (motor vehicles up to 6m in length) or four (motor vehicles over 6m in length) optional reversing lamps fitted.	Major
8	Day Time Running Lamp (in addition to 1 above):	
a.	not showing a light of the right colour.	Minor
b.	not showing a light of the right colour with red light shown to the front or white light shown to the rear.	Major
c.	incorrectly positioned.	Major

Heavy Goods Vehicle Inspection Manual
66 Direction Indicators and Hazard Warning Lamps

Application

The inspection of indicators applies to all vehicles first used after 1 January 1936 and trailers manufactured from 1 September 1965.

Side repeaters are required on motor vehicles first used from 1 April 1986.

This inspection applies to all vehicles fitted with hazard warning lamps.

Hazard warning lamps are required on motor vehicles first used from 1 April 1986.

Procedure and Standards

Direction indicators

All indicators fitted must be inspected. These must show amber light unless fitted to a vehicle first used before 1 September 1965 when both indicators may show white to the front or red to the rear.

The tell-tale on direction indicators may be audible rather than visual but for hazard warning lamps it must be a flashing light. A tell-tale is not required if the operation of one or more indicators on each side can be seen from the driver's seat.

If the flash rate is below 60 times per minute, recheck with the engine running.

A semaphore indicator is acceptable. It must illuminate when in operation, and is not required to flash.

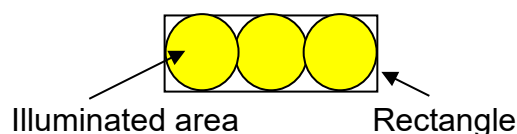
There is no requirement to measure angles of visibility for side repeater indicators. Where an assessor stands at the rear of a vehicle approximately 2 metres out from either side and an operating side repeater indicator is obviously not visible this is a deficiency under 1 a.

Some vehicles and trailers are fitted with side indicator lamps combined with side marker lamps. There are numerous combinations of these lamps all dependant on the vehicle type, age, length and mixtures of mandatory and optional arrangements.

All the indicators and side marker lamps on one side may flash when an indicator is selected and on other vehicles/trailers any combination of static and flashing lamps may be illuminated. Where a marker lamp remains static when the indicator is switched on this shall not be a deficiency as long as the motor vehicle has one operational side indicator each side within 2.6m of the front of the vehicle.

It can be difficult under these circumstances to confirm if there is a side indicator lamp combined with the side marker lamp unless it operates when selected. If the lamp flashes when the indicator is selected it must be assessed against all the appropriate standards for an indicator. Where the lamp does not flash when selected the lamp shall not be deemed to be a side indicator lamp.

If two or more lamps are fitted and the aggregated illuminated area occupies 60% or more of the area of the smallest rectangle circumscribing the illuminated area this should be treated as one lamp.



Heavy Goods Vehicle Inspection Manual
66 Direction Indicators and Hazard Warning Lamps

If more than one bulb or LED is fitted in the lamp at least 50% must work.

Where red-neutral direction indicator lenses with an amber bulb are fitted, the assessment made must be against the colour of the light emitted not the colour of the lens.

Hazard warning lamps

The tell-tale must be a flashing light and operate with the ignition on and off. Alternatively, direction indicator tell-tales that otherwise operate independently can be accepted as the hazard warning lamp tell-tale.

Inoperative non-obligatory lamps cannot to be assessed as you cannot establish what lamp this is (insecure non obligatory lamps are a deficiency in IM63).

Deficiency	Deficiency Category
<p>1 Direction indicator:</p> <p>a. missing, inoperative, operating on the wrong side of a vehicle/trailer, not visible either to the front, side, or to the rear.</p> <p>b. (i) a lamp dim due to dirt or internal deterioration or with partially reduced light output.</p> <p style="padding-left: 40px;">(ii) a lamp dim due to dirt or internal deterioration or with an obvious major reduction in light output.</p> <p>c. (i) lens insecure or damaged with no effect on light output.</p> <p style="padding-left: 40px;">(ii) lens missing, insecure or damaged so that it is likely to fall apart to such an extent that light output is obviously affected.</p> <p>d. does not flash at between 60 to 120 times a minute.</p> <p>e. does not show a light of the right colour.</p> <p>f. tell-tale not fitted, is inoperative or cannot be seen/heard by the driver.</p>	<p>Major</p> <p>Minor</p> <p>Major</p> <p>Minor</p> <p>Major</p> <p>Major</p> <p>Major</p>
<p>2 Hazard warning lamp:</p> <p>a. does not operate with the engine stopped and the ignition switched off and on.</p> <p>b. all the direction indicator lamps do not operate simultaneously when switched on by one switch.</p> <p>c. tell-tale not fitted, is inoperative or cannot be seen by the driver.</p>	<p>Major</p> <p>Major</p> <p>Major</p>

Heavy Goods Vehicle Inspection Manual

67 Aim of Headlamps

Application

The headlamp aim criterion is applicable to all dipped beam headlamps.

Procedure and Standards

Headlamp beam converters fitted to right hand dipping headlamps which effectively mask/deflect the beam are acceptable provided that the pass criterion is met.

Some vehicles may be fitted with an "in-cab" headlamp adjustment device. If the vehicle is presented for test unladen, the in cab headlamp adjustment device must be set relative to this condition. In all other cases this may be adjusted to enable both headlamps to meet the criteria, however both headlamps must comply with the requirements with the device set in one position.

The headlamp control in the cab is allowed to be used to align the headlamps without categorising this as a defect.

Most modern vehicles are fitted with European headlamps. Dipped beam headlamps can be identified from the marking on the lamps. There will be a "C" shown above an "E" or "e" mark.

Repairs must not be carried out during a test however; minor adjustments to the headlamp aim are acceptable.

If the beam pattern is blurred due to condensation and does not show a distinctive cut-off point for the examiner to determine whether the alignment is correct this will be considered a deficiency under number 2.

Some vehicles with complex headlamp systems (with the dipped beam and main beam having separate pockets) may be encountered. It is essential that the headlamp aim test equipment is aligned exactly on the centre of the dipped beam pocket. At this point it may not be possible to see a clearly defined headlamp pattern, in order to see the full beam pattern, it may be necessary to move the vehicle closer to the test equipment. Once this has been done, the beam pattern should be clearly visible on the aiming screen. When a full pattern can be seen, the normal assessment of headlamp aim should be followed.

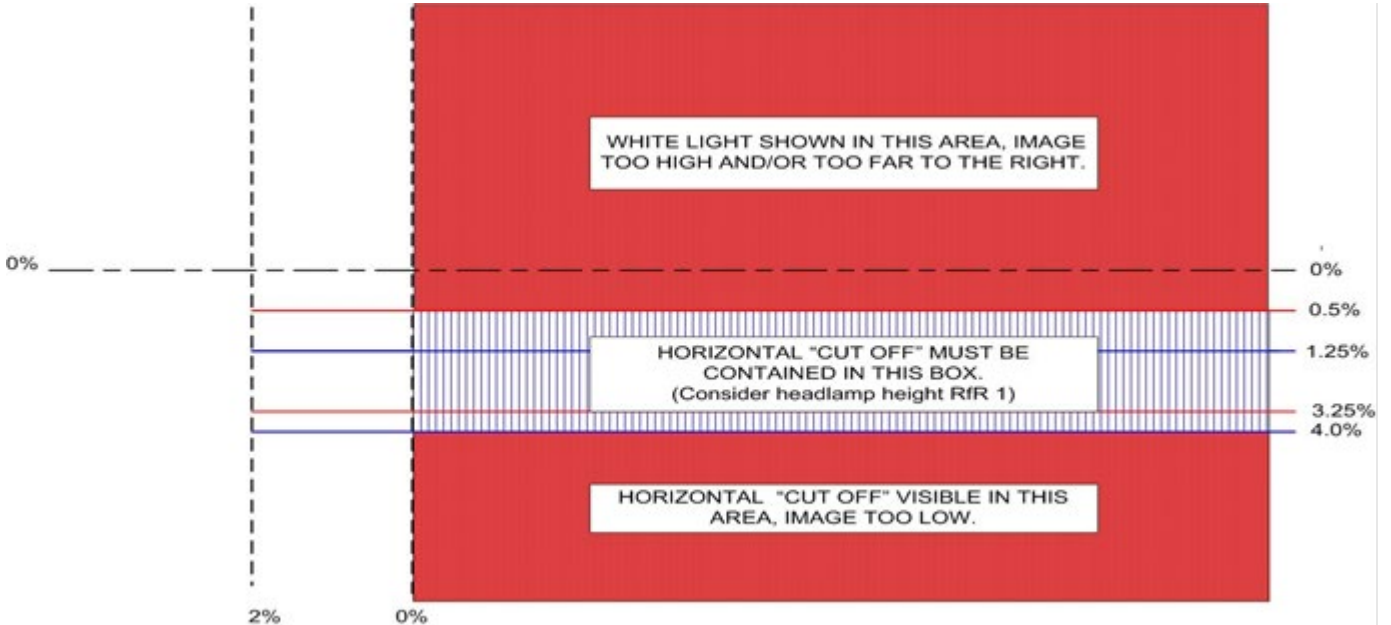
The standards to be applied are listed in the deficiency column and the beam patterns likely to be encountered are shown on the following pages.

Heavy Goods Vehicle Inspection Manual

67 Aim of Headlamps

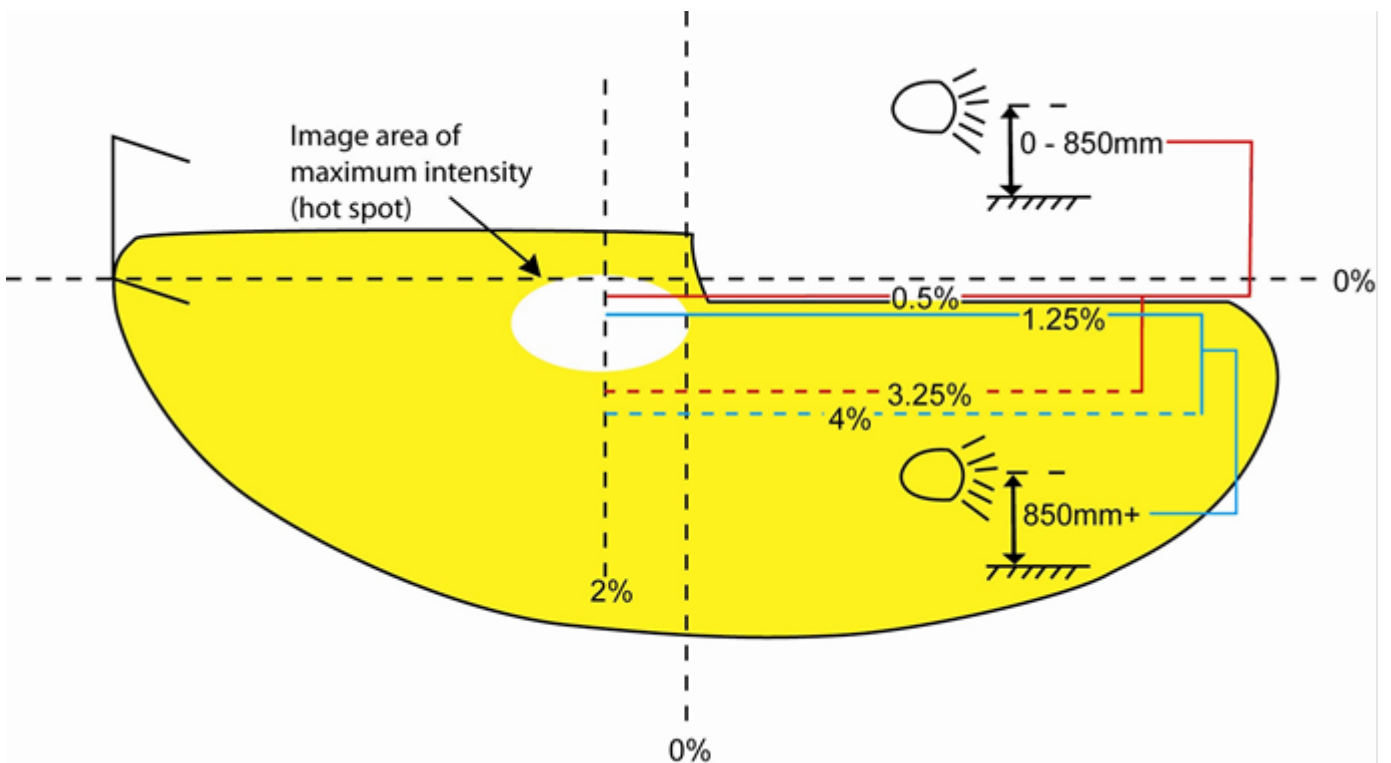
European checked on Dipped Beam

Align the headlamp aim testing equipment to the vehicle in accordance with the manufacturer's instructions.



British American Checked on Dipped Beam

Align the headlamp aim testing equipment to the vehicle in accordance with the manufacturer's instructions.

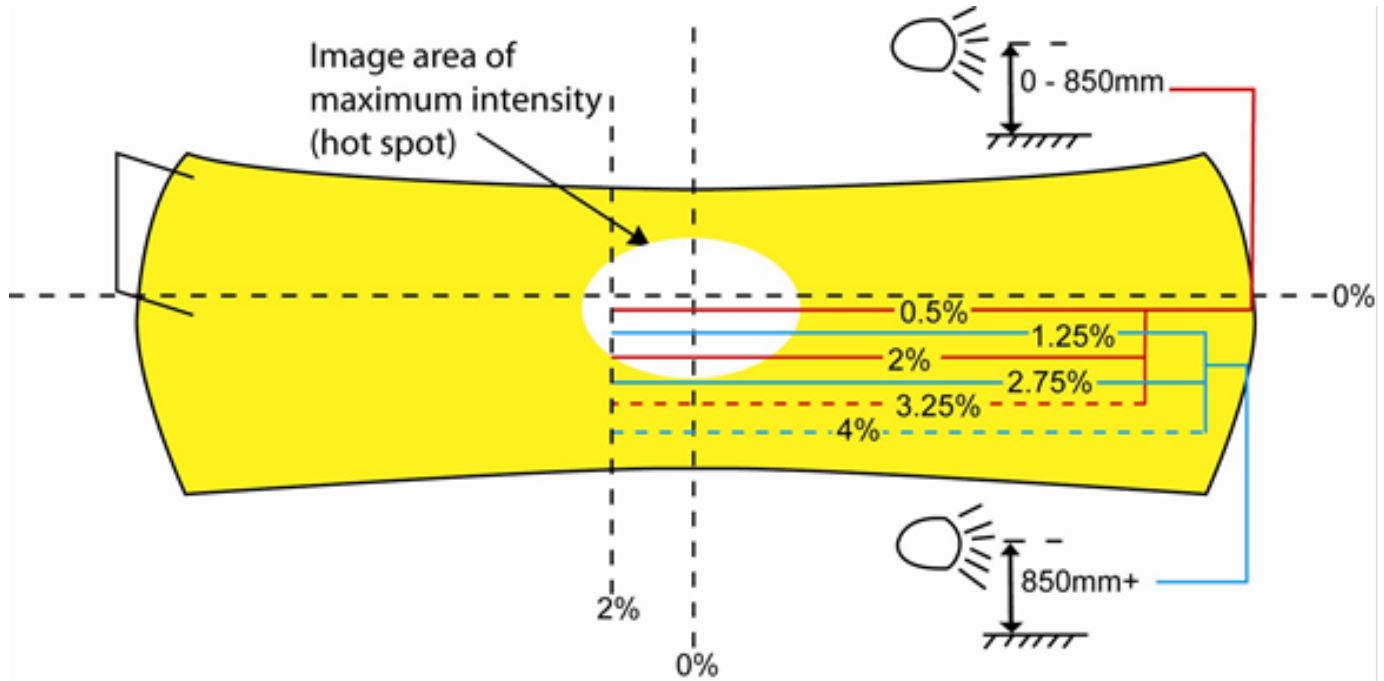


Heavy Goods Vehicle Inspection Manual

67 Aim of Headlamps

British American Checked on Main Beam

Align the headlamp aim testing equipment to the vehicle in accordance with the manufacturer's instructions.



Heavy Goods Vehicle Inspection Manual

67 Aim of Headlamps

Deficiency	Deficiency Category
<u>European checked on Dipped Beam:</u>	
1	In relation to the 0% Horizontal line, the beam horizontal cut-off line is not between the limits listed below.
	Major
a.	Headlamp centres up to and including 850mm high Upper limit: All vehicles. 0.5% Lower limit: All vehicles 4.0%
b.	Headlamp centres over 850mm high Upper limit: All vehicles. 1.25% Lower limit: All vehicles 4.0%
2	The beam image contains a "Kick up" that is not visible on the screen.
	Major
3	White light shows in the zone formed by the 0% vertical and 0.5% horizontal lines.
	Major
<u>British American Checked on Dipped Beam:</u>	
4	In relation to the 0% Horizontal line, the upper edge of the "Hot Spot" is not between the limits listed below.
	Major
	All headlamp heights Upper limit: All vehicles. 0% Lower limit: All vehicles 4.0%
5	The right hand edge of the "Hot Spot" is to the right of the vertical 0% line, or more than 2% to the left of it.
	Major
6	A headlamp dips to the right (See note in Applications).
	Major
<u>British American Checked on Main Beam:</u>	
7	In relation to the 0% Horizontal line, the Centre of the "Hot Spot" is not between the limits listed below.
	Major
a.	Headlamp centres up to and including 850mm high Upper limit: All vehicles. 0% Lower limit: All vehicles. 2.0%
b.	Headlamp centres over 850mm high Upper limit: All vehicles. 0% Lower limit: All vehicles. 2.75%
8	In any case the centre of the "Hot Spot" is to the right of the vertical 0% line or more than 2% to the left of it.
	Major
9	A Headlamp dips to the right (see note in Application).
	Major

Heavy Goods Vehicle Inspection Manual

71 Service Brake Performance

Application

This inspection applies to all vehicles and trailers.

Procedure and Standards

To avoid damage to the vehicle or the equipment, no tyre must be obviously underinflated.

In the case of vehicle and trailer combinations, each unit of the combination is considered separately.

In this section of the manual, the term "drum" includes "discs".

Attention must be paid to Hybrid Electric Vehicles (HEVs) and Electric Vehicles (EVs). Due to the nature of the control systems some vehicles cannot be tested on the Roller Brake Tester and must receive a decelerometer brake test.

Some vehicles have a regenerative braking system connected to the service brake system. If the regenerative system cannot be disconnected from the service brake, a decelerometer brake test is required. If the regenerative system can be disconnected and the vehicle control system allows a roller brake test this must be carried out.

If you are in any doubt whether a vehicle can be roller brake tested and if the presenter does not know, contact T.S.S. Swansea.

Brake testing HEVs and EVs with a regenerative brake system must be appropriately charged (appropriately in this context, means the warning light is not illuminated).

Vehicles that require decelerometer testing are:

Any vehicle where regenerative braking cannot be disconnected.

Vehicles that can be tested on the brake rollers are:

Mitsubishi Canter – Transmission must be in neutral.

Smiths Electrical – Light vehicles ignition needs to be turned on and neutral selected.

Heavy vehicles, High voltage system needs to be on and neutral selected.

When assessing a vehicle for binding, examiners should be aware that drag at a wheel may be recorded which is not necessarily due to brakes, but may be due to transmission drag, or by the deformation of the tyres on the rollers, which on a fully laden 10,000 kg axle could be as much as 250kg. A recorded bind in excess of 4% of the measured axle weight should be considered a deficiency.

Brake effort fluctuation of more than 70% of the higher brake effort recorded at a steady pedal pressure is a deficiency. For ease of calculation if the higher brake effort divided by the lower brake effort is greater than 3.3 this is a deficiency.

The highest reading obtained should be recorded when the brake force from any one wheel is fluctuating in a regular manner between two readings, (e.g. 1850kg should be recorded where the needle reading was fluctuating between 1750kg and 1850kg).

Using the maximum recorded forces for each wheel on an axle, check that the braking effort from any wheel is 70% or more of the effort of the other wheel on the same axle. When wheels lock, this deficiency will not apply if both the wheels lock, or if one wheel locks and the braking effort of the locked wheel is less than that of the other.

No braking effort recorded at any wheel is a dangerous deficiency. Little brake effort recorded at any road wheel should be considered a deficiency if less than 5% of the measured axle weight is not attained.

Locked Wheels

If more than half the number of wheels lock, the specified brake effort can be considered to be met. On a motor vehicle where not more than half the wheels lock, where applicable the front wheel allowances must be taken into account. Wheels on the verge of locking are not acceptable, they must fully lock.

Load Simulation

To obtain a higher reading for brake effort than is possible with the vehicle as presented, use a load simulator to apply a load whenever practicable, or have the vehicle loaded. Certain three axle tractor units can only be satisfactorily brake tested when presented coupled to a laden semi-trailer. Where this is the case test sites must insist that the combination is suitably loaded so that axle weights are higher than 65% of the design axle weight.

Vehicles fitted with Load Sensing valves

Where possible the load simulator should be used to apply a load, so that the valve operates. Where it is not possible to apply a load, the driver may be allowed to temporarily disconnect the valve linkage, or otherwise by-pass the valve, immediately before the brake test, to allow the required braking force to be achieved. The driver must ensure that the valve has been restored to its proper working condition before the vehicle leaves the Testing facility. Failure to do so may break the law.

Deceleration Test

If the vehicle cannot be roller brake tested, or for any other reason a decelerometer test is required, proceed as per the instruction at the end of this section.

Double Drive Rear Axle - Interposing Differential

Before carrying out a brake test on a vehicle fitted with a double drive rear axle it will be necessary to establish whether an interposing differential is fitted or not. A check can be carried out by using the R.B.T. in the following manner:

- Instruct the driver to release all brakes and ensure the gear lever is in the neutral position.
- Start the nearside roller in the forward direction and observe the offside wheel, if this turns in the reverse direction no interposing differential is fitted and the brake test will need to be carried out as explained in paragraphs ## below.
- If the running of one wheel has no effect on the other on the same axle, then the test can be conducted as for a single drive axle.

If no interposing differential is fitted carry out the test as follows :

- Place chocks at front and rear of the wheels of the front axle.
- Press and hold on N/S forward and O/S reverse button simultaneously, the wheel under test must turn forward and the opposite wheel on the same axle must turn in the reverse direction.
- Carry out the brake test as described above.

Do not run the rollers any longer than necessary to obtain an accurate reading.

Release both buttons together:

- Change direction of rollers and carry out test on the O/S wheel brake.
- Repeat the above procedure for all brake systems at this axle.
- Move the vehicle forward and carry out the same procedure for the second driving axle.

A transmission brake fitted to a vehicle of this type cannot be tested on a roller brake tester.

Drop off of brake effort

If drop off of brake effort is noted during the roller brake test, first confirm that it is drop off and not simply due to the driver releasing the brake pedal or brake effort fluctuation. If drop off is confirmed it will be appropriate to consider a deficiency under Inspection Manual item 59.

Vehicles with full power hydraulic braking systems

If necessary to confirm compliance with Test Item 34 for vehicles with full powered hydraulic braking systems the following additional tests should be made:

- Position the vehicle so that each axle in turn is located on the roller brake tester.
- With the engine stopped, deplete the brake pressure by repeated application of the service brake pedal until commencement of operation of the low pressure warning device.
- With the roller brake test machine driving the wheels of each axle in turn;
 - a. apply the service brake slowly and check for first indications of braking effort. Release brake immediately. Repeat for three further occasions.
 - b. repeat test sequence for each axle in turn.

Skeletal vehicles with an empty body fitted should be treated as unladen.

For vehicles with Hydrostatic drives if the brake performance is not met on the brake rollers, perform a decelerometer test before making a decision on the test performance requirements. Prior to roller brake testing any vehicle with hydrostatic drive and a transmission parking brake it may be necessary when the wheels are in the roller set to select the vehicles mode which disengages/bypasses the hydrostatic drive. Engaging this mode will prevent any hydrostatic retardation showing as excessive levels of bind.

With some DTP numbers the roller brake tester may request you check for brake effort drop off, you need to establish whether the vehicle has air over hydraulic brakes, if it has do the drop off test, if the system is full air ignore the request for the drop off test.

Ensure that the air suspension on tag/pusher axles that may have been jacked up are inflated should there be a problem achieving the brake efficiency for these axles (the inflation should only be done under supervision of testing staff).

Switching the ignition off on vehicles equipped with EBS is to be taken as the same as vehicles having their LSV disconnected.

Vehicles and Trailers with Electronic Braking System (EBS)

1. Testing Vehicles with EBS Braking Systems

Vehicles with EBS that have load sensing on the front axle. If the minimum front axle brake figure is not achieved because the load sensing valve is regulated by the load imposed on the rear axle/s, re-test the front axle brakes in the following manner.

- a) Build up the air reservoirs and stop the engine.
- b) Switch the engine off to deactivate the load-sensing valve.
- c) Carry out the brake performance test.

Switching the ignition off on a vehicle with EBS has the effect of by passing the load-sensing valve.

2. Testing Trailers With WABCO Trailer EBS (Electronic Braking System)

How to recognise EBS.

- No ABS warning lamp on the headboard.
- With the ignition on, definitive solenoid clicks from the trailer on each application of the footbrake should be heard.
- Plate with the heading "WABCO Trailer EBS" on the front of the trailer and a pictogram showing an X through LSV and ABS.
- ISO 7638 electrical connector fitted in addition to the electrical connector for the lights.
- Last digit of the DTp Reference number is an '8'. The brake computer has not been programmed to accept an 8 so this must be replaced with 7 as the last digit.

When presented, the tractor unit must be compatible with the trailer and have a warning lamp to indicate that trailer ABS is working (this may be a combined ABS/EBS warning light).

If presented with a compatible EBS tractor unit, if the red line is dropped, **the brakes may not come on**. To apply the brakes disconnect the ISO 7638 electrical connection. Ensure that the handbrake is applied on the tractor unit before disconnecting the red line and that safe working practices are followed.

Brake Testing

Irrespective of whether the trailer is laden or unladen, before commencing the brake test, the EBS Processor must be conditioned, this is done by:

- a) Putting the first axle of the trailer in the RBT.
- b) Switch off the engine/ignition and ensure no brake is applied (except for trailers equipped with Knorr Bremse (see following note below).
- c) Restart engine.
- d) Continue the brake test as normal. This procedure only needs to be carried out once. The system will reset when the trailer is driven at a speed greater than 7 KMH.

For trailers equipped with Knorr Bremse EBS/ABS these should be driven to the RBT and not allowed to switch the ignition off while stationary on the brake rollers, if this circumstance occurs the following procedure must be followed:

A. Make sure the ignition is switched off, **B.** apply the parking brake, **C.** apply the footbrake, **D.** switch the ignition on, **E.** start the engine, **F.** release the foot brake and parking brake and carry out a full brake test on all axles using the appropriate unladen or laden test criteria.

Failure to do this will stop the Load Sensing Valve working, i.e. a full pressure brake reading on every application.

SERVICE BRAKE EFFICIENCY REQUIREMENTS				
Motor Vehicles	2 Axle Rigid vehicle first used before 1 January 1968 and with no manufacturer's plate	Rigid vehicle with more than 2 axles or any articulated tractor first used before 1 January 1968 and with no manufacturer's plate	Any other vehicle	
Specified Efficiency	45% DGWV	40% DGWV	50% DGWV	
Semitrailers	Manufactured before 1 January 1968 with GVW 6100 kg or more	Manufactured before 1 January 1968 with GVW less than 6100 kg	Manufactured from 1 January 1968 to 30 September 1982	Manufactured from 1 October 1982
Specified Efficiency	35% DTAW	32% DTAW	40% DTAW	45% DTAW
Drawbar trailers	Manufactured before 1 January 1968	Manufactured from 1 January 1968 to 30 September 1982	Manufactured from 1 October 1982	Manufactured from 1 January 2012
Specified Efficiency Centre Axle Drawbars	35% DTAW	40% DTAW	45% DTAW	50% DTAW
Specified Efficiency Other Drawbars	40% DGWV	50% DGWV	45% DGWV	50% DGWV

DGWV = Design Gross Vehicle Weight.

DTAW = Design Total Axle Weight.

Roller Brake Test Machines Operating With a Computer Controlled Brake Test

Follow the sequence of instructions as displayed and prompted on screen. On completion of the test a result sheet is printed indicating the test result.

Roller Brake Test Machines Not Operating With a Computer Controlled Brake Test

- a. check no brake on any wheel is binding.
- b. apply brake slowly and check for abnormal time lag in operation of the brake on any wheel.
- c. on a (vehicle) steered axle with the service brake applied at a steady pedal pressure, check there is no indication of brake effort fluctuations regularly with each revolution of the road wheel.

The ovality/fluctuation check does not apply to trailers.

- d. continue to apply the brake until the road wheel is just at the point of slip relative to the rollers, or until the service brake is fully applied, whichever occurs first. Note the maximum recorded brake effort.

Decelerometer test.

Set the decelerometer on the vehicle in accordance with the instrument manufacturer's instructions.

At a speed of approximately 20mph, have the service brake applied, note the reading on the decelerometer and whether the vehicle deviates from a straight line.

Deficiency	Deficiency Category
<p>1 All Roller Brake Test Machines:</p> <p>a. A brake on any wheel binding.</p> <p>b. Brake mechanism on any wheel sticking, indicated by an abnormal time lag before an increased reading is obtained.</p> <p>c. With service brake applied at a steady pedal pressure, the indication of brake effort fluctuates regularly with each brake revolution of the road wheel, on a steered axle, so much that the ovality of any brake drum is obvious. A fluctuation of recording reading in excess of 70%, between highest and lowest indicated readings is to be considered a deficiency.</p> <p>d. With the service brake fully applied:</p> <p> (i) there is very little brake effort at any wheel.</p> <p> (ii) there is no brake effort at any wheel.</p> <p> (iii) braking effort from any wheel on an axle is less than 70% of the brake effort from another wheel on the same axle.</p> <p> (iv) braking effort from any wheel on an axle is less than 50% of the brake effort from another wheel on the same axle in the case of steered axles.</p> <p> (v) the specified brake effort is not met.</p>	<p>Major</p> <p>Major</p> <p>Major</p> <p>Major</p> <p>Dangerous</p> <p>Major</p> <p>Dangerous*</p> <p>Dangerous *</p>
<p>2 Decelerometer test:</p> <p>a. the braking efficiency recorded by decelerometer is below the specified efficiency.</p> <p>b. the vehicle deviates appreciably from a straight line.</p>	<p>Major</p> <p>Major</p>

Heavy Goods Vehicle Inspection Manual

72 Secondary Brake Performance

Application

This inspection applies to all motor vehicles where the designated secondary brake operates independently of the service brake.

On vehicles where the service brake split system is designated as the secondary option the performance of this brake is not required to be assessed. Any brake test printout indicating failure to meet the secondary requirements must be overruled along with any prompts for an alternative option.

For vehicles where the brake code is unknown or incorrect the park brake system must be selected as the secondary option and the secondary brake efficiency tested accordingly.

Procedure and Standards

To avoid damage to the vehicle or the equipment, no tyre must be obviously under inflated.

Where a designated secondary (using the park brake system) fails to meet the specified efficiency the service brake split system must be considered as an alternative as and where it applies.

Where the service brake split system is unknown the alternative secondary brake must be assessed using a front to rear split as the alternative option (see table below).

Front to Rear Split Allocation		
Number of axles on vehicle	Front Split	Rear Split
2 axles	1	2
3 axles	1	2+3
4 axles	1+2	3+4
5 axles	1+2	3+4+5

Both halves of the split system must meet the secondary efficiency requirement independently.

The notes relating to Electrical and Hybrid Electrical Vehicles under Inspection 71 also apply to this inspection particularly where the designated secondary brake is the parking brake, refer to these notes before deciding what type of brake test should be performed.

The notes relating to Locked Wheels, little/no braking effort, balance and Load Simulation under Inspection 71 also apply to this inspection.

SECONDARY BRAKE EFFICIENCY REQUIREMENTS			
Motor Vehicles	2 Axle Rigid vehicle first used before 1 January 1968 and with no manufacturer's plate	Rigid vehicle with more than 2 axles or any articulated tractor first used before 1 January 1968 and with no manufacturer's plate	Any other vehicle
Specified Efficiency	20% DGWW	15% DGWW	25% DGWW

DGWW = Design Gross Vehicle Weight.

Heavy Goods Vehicle Inspection Manual
72 Secondary Brake Performance

Deficiency	Deficiency Category
<p>1 All Roller Brake Test Machines</p> <p> With the secondary brake fully applied:</p> <p>a. (i) there is very little braking effort at any wheel equipped with a brake operated by the secondary brake system.</p> <p> (ii) there is no braking effort at all on any wheel equipped with a brake operated by the secondary brake system.</p> <p>b. (i) braking effort from any wheel on an axle is less than 70% of the brake effort from another wheel on the same axle.</p> <p> (ii) braking effort from any wheel on an axle is less than 50% of the brake effort from another wheel on the same axle in the case of steered axles.</p> <p>c. the specified brake effort is not met.</p>	<p>Major</p> <p>Dangerous</p> <p>Major</p> <p>Dangerous*</p> <p>Dangerous*</p>
<p>2 Decelerometer test:</p> <p>a. the braking efficiency recorded by decelerometer is below the specified efficiency.</p> <p>b. the vehicle deviates appreciably from a straight line.</p>	<p>Major</p> <p>Major</p>

Heavy Goods Vehicle Inspection Manual

73 Parking Brake Performance

Application

This inspection applies to all vehicles and trailers.

The notes relating to Electrical and Hybrid Electrical Vehicles under Inspection 71 also apply to this inspection particularly where the designated secondary brake is the parking brake, refer to these notes before deciding what type of brake test should be performed.

Procedure and Standards

To avoid damage to the vehicle or the equipment, no tyre must be obviously under-inflated, and the brake rollers should not be continuously applied.

The parking brake is tested against an applied brake, except for vehicles with transmission parking brakes, or if the R.B.T. is not capable of carrying out an applied test. In these cases it is necessary to progressively apply the park brake against each wheel in turn except with a transmission brake where it will be applied progressively with both wheels turning, releasing the brakes where there any signs of severe judder or snatch.

There may be occasions where the specified brake effort is met but, if the brake effort from any wheel on an axle is one third or less than the brake effort from another wheel on the same axle, it may be necessary to consider deficiency 1b or 5a of section 59 depending on the operating system (e.g. cable, rods, air or hydraulic).

The notes relating to Locked Wheels, little/no braking effort and Load Simulation under Inspection 71 also apply to this inspection.

If a vehicle has had its DGTW reduced, the DTp number may not reflect this new weight. It may be necessary to calculate the park brake performance for the new DGTW at 12% or the DGVW at 16% whichever is the greater.

If a trailer has more than one parking brake fitted, each park brake must meet the minimum standard of efficiency.

Where a trailer has been permanently attached to a towing vehicle, it is still mandatory to have a park brake on the trailer.

Heavy Goods Vehicle Inspection Manual

74 Other Dangerous Defects

Application		
This applies to all vehicles and trailers.		
Procedure and Standards		
<p>Whilst this manual attempts to be comprehensive and cover all deficiencies which could be dangerous it is inevitable that due to changes in design, or other reasons, from time to time dangerous defects may be found which are not described in any of the deficiencies in the other items in this manual. If a defect of this type is found, which is such that the use of the vehicle on the road would involve an immediate danger of injury to any person, this would justify a defect under this item. In addition it would be appropriate to issue an Immediate Prohibition for a deficiency of this nature.</p> <p>It is not intended that this item should be used as a matter of routine but only for exceptional cases. If a deficiency is recorded under this item full details must be shown on the test refusal and a copy should be sent to Testing and Support Services so that any trends can be noted and amendments made to the manual if necessary.</p>		
Deficiency		Deficiency Category
1	A defect not described elsewhere in the manual such that the use of the vehicle or trailer on the road would involve an immediate danger of injury to any person.	Dangerous