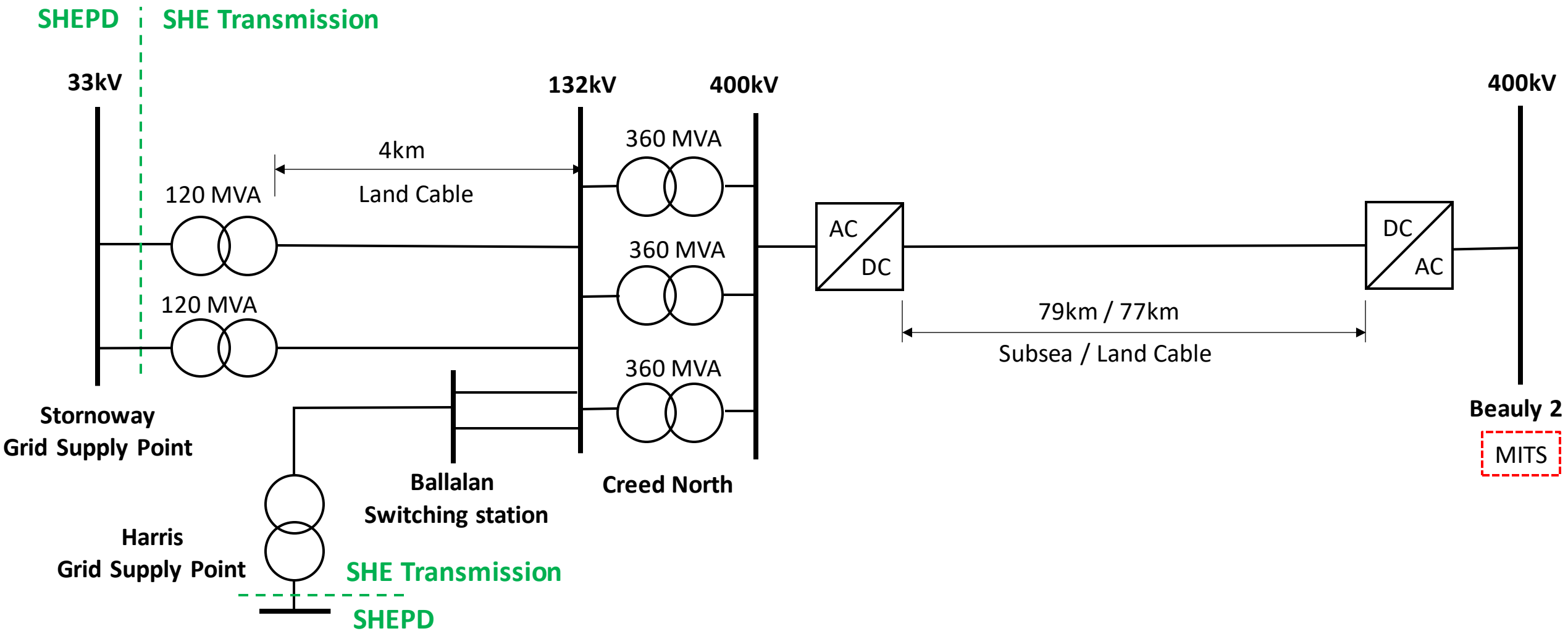


# Western Isles - Beaulieu HVDC Link

CFD Unit Name<sup>1</sup>:



<sup>1</sup>Please use the same CFD Unit Name as provided on the CFD application form.

Note: Exact switchgear and bus-bar arrangements simplified.