

Acceptable Damage and Husbandry Fault Map

Aircraft Serial No: _____

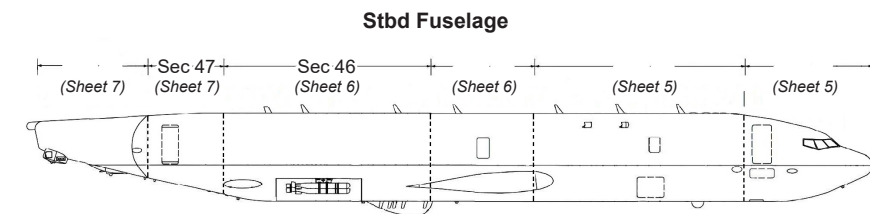
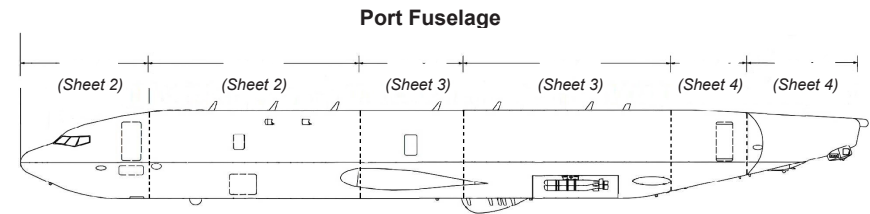
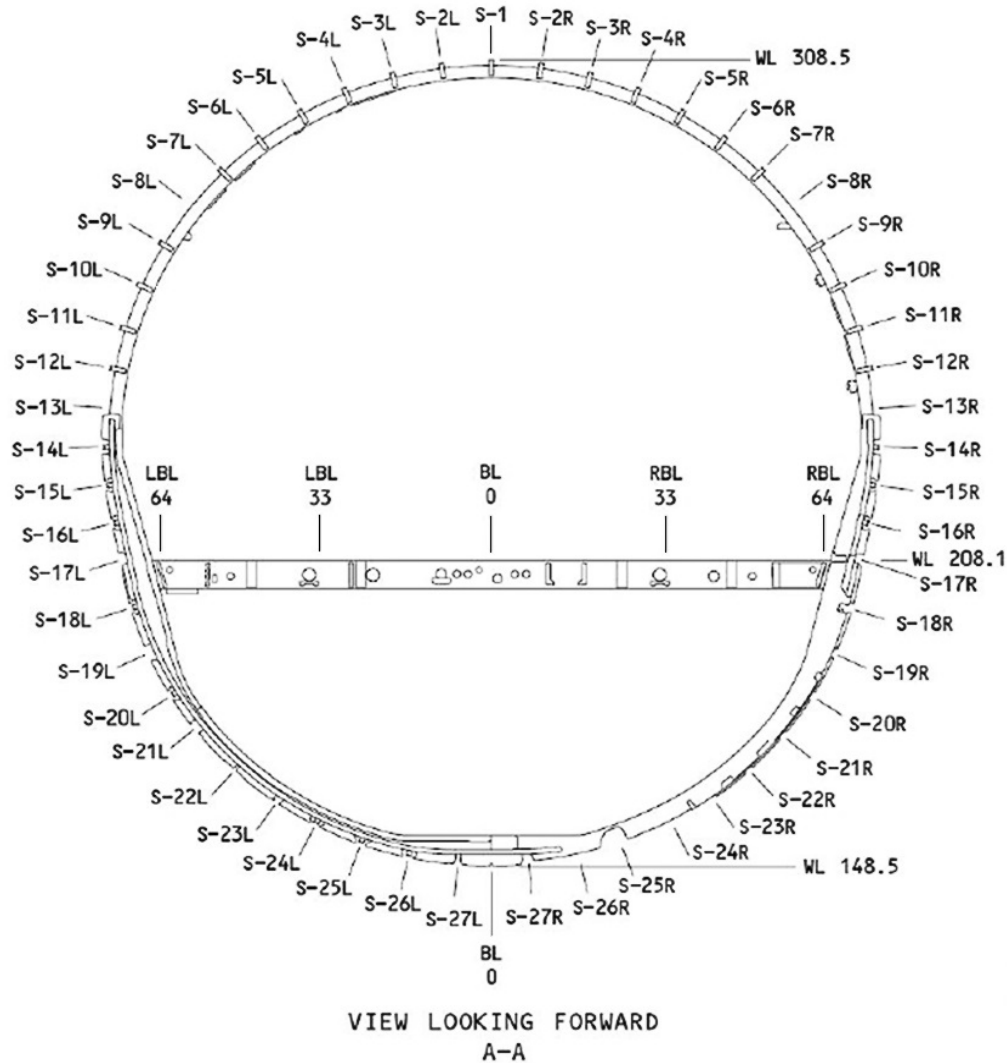
Sheet No: _____

Index of Sheets

Sheet 1 (Back)	Fuselage Image Location Aid
Sheet 2 (Front)	Port Section 41 Fuselage
Sheet 2 (Back)	Port Section 43 Fuselage
Sheet 3 (Front)	Port Section 44 Fuselage
Sheet 3 (Back)	Port Section 46 Fuselage
Sheet 4 (Front)	Port Section 47 Fuselage
Sheet 4 (Back)	Port Section 48 Fuselage
Sheet 5 (Front)	Stbd Section 41 Fuselage
Sheet 5 (Back)	Stbd Section 43 Fuselage
Sheet 6 (Front)	Stbd Section 44 Fuselage
Sheet 6 (Back)	Stbd Section 46 Fuselage
Sheet 7 (Front)	Stbd Section 47 Fuselage
Sheet 7 (Back)	Stbd Section 48 Fuselage
Sheet 8 (Front)	Port Wing Upper Surface
Sheet 8 (Back)	Port Wing Lower Surface
Sheet 9 (Front)	Stbd Wing Upper Surface
Sheet 9 (Back)	Stbd Wing Lower Surface
Sheet 10 (Front)	Horizontal Stabilizer Upper Surface
Sheet 10 (Back)	Horizontal Stabilizer Lower Surface
Sheet 11 (Front)	Port Side Vertical Stabilizer
Sheet 11 (Back)	Stbd Side Vertical Stabilizer
Sheet 12 (Front)	NLG Doors
Sheet 12 (Back)	MLG Doors
Sheet 13 (Front)	No.1 ECU Nacelle
Sheet 13 (Back)	No.2 ECU Nacelle
Sheet 14 (Front)	Internal

Acceptable Damage and Husbandry Fault Map

Fuselage Image Location Aid

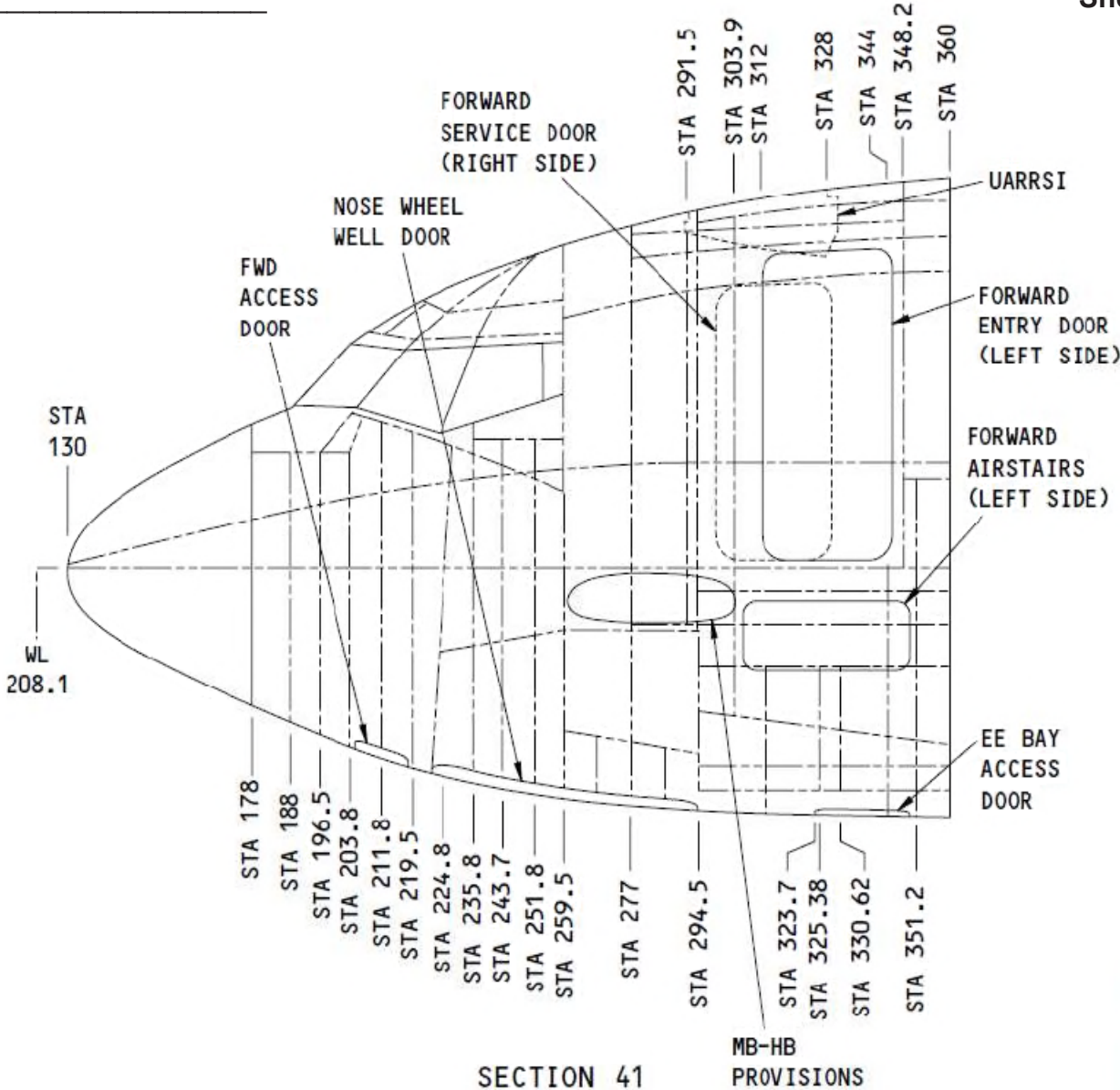


Acceptable Damage and Husbandry Fault Map

Aircraft Serial No: _____

Sheet No: _____

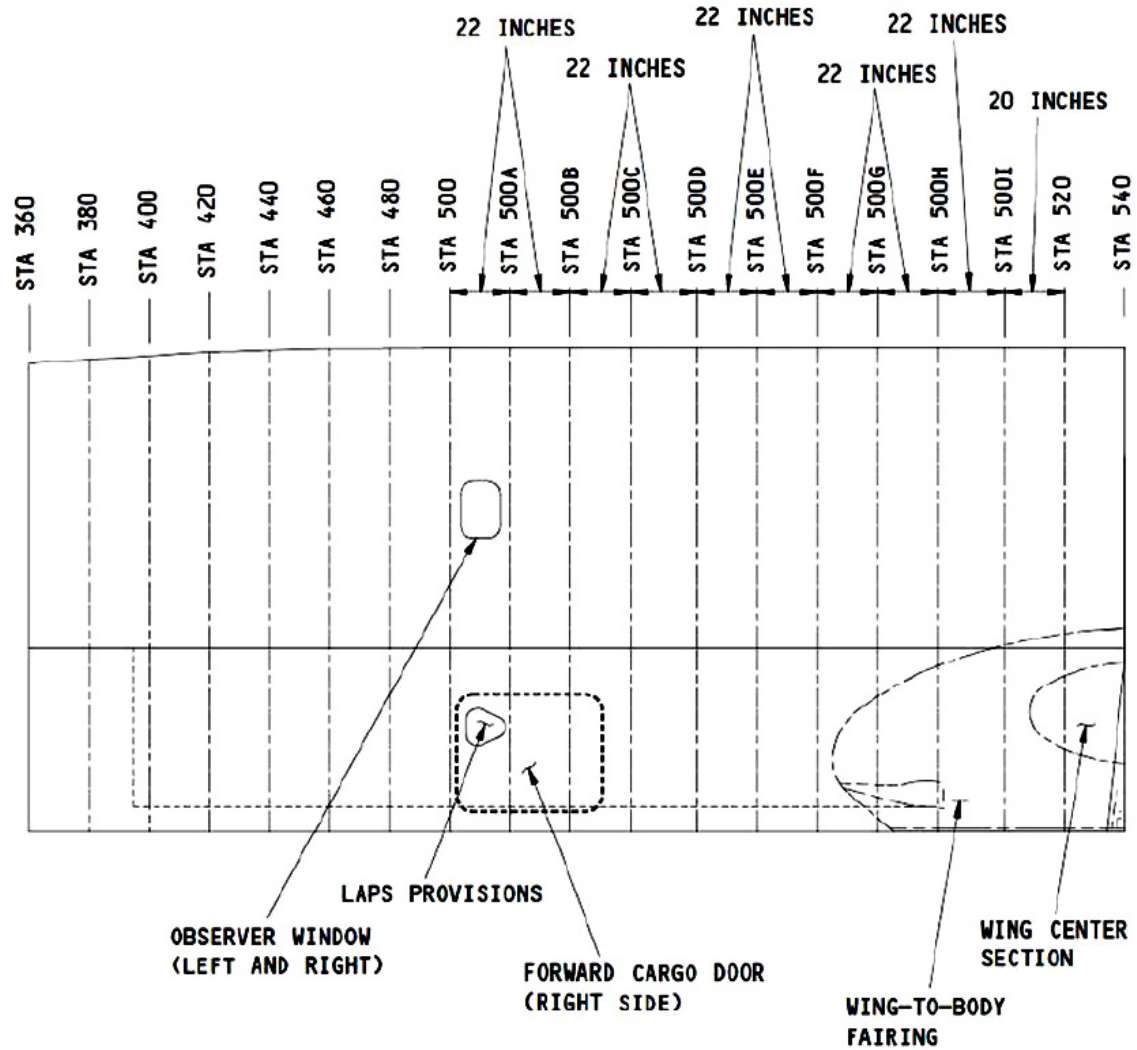
Port Section 41 Fuselage



SECTION 41

Acceptable Damage and Husbandry Fault Map

Port Section 43 Fuselage

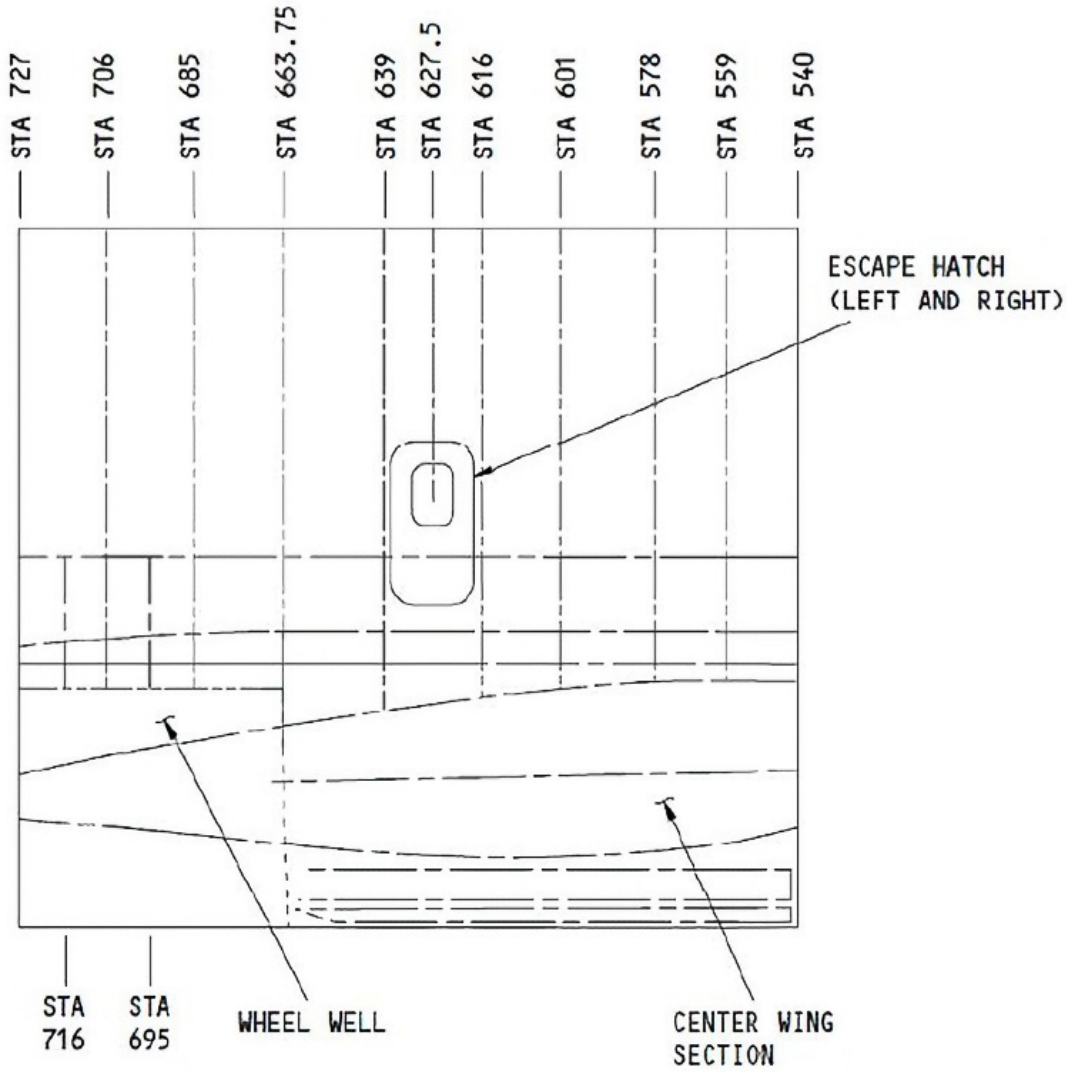


Acceptable Damage and Husbandry Fault Map

Aircraft Serial No: _____

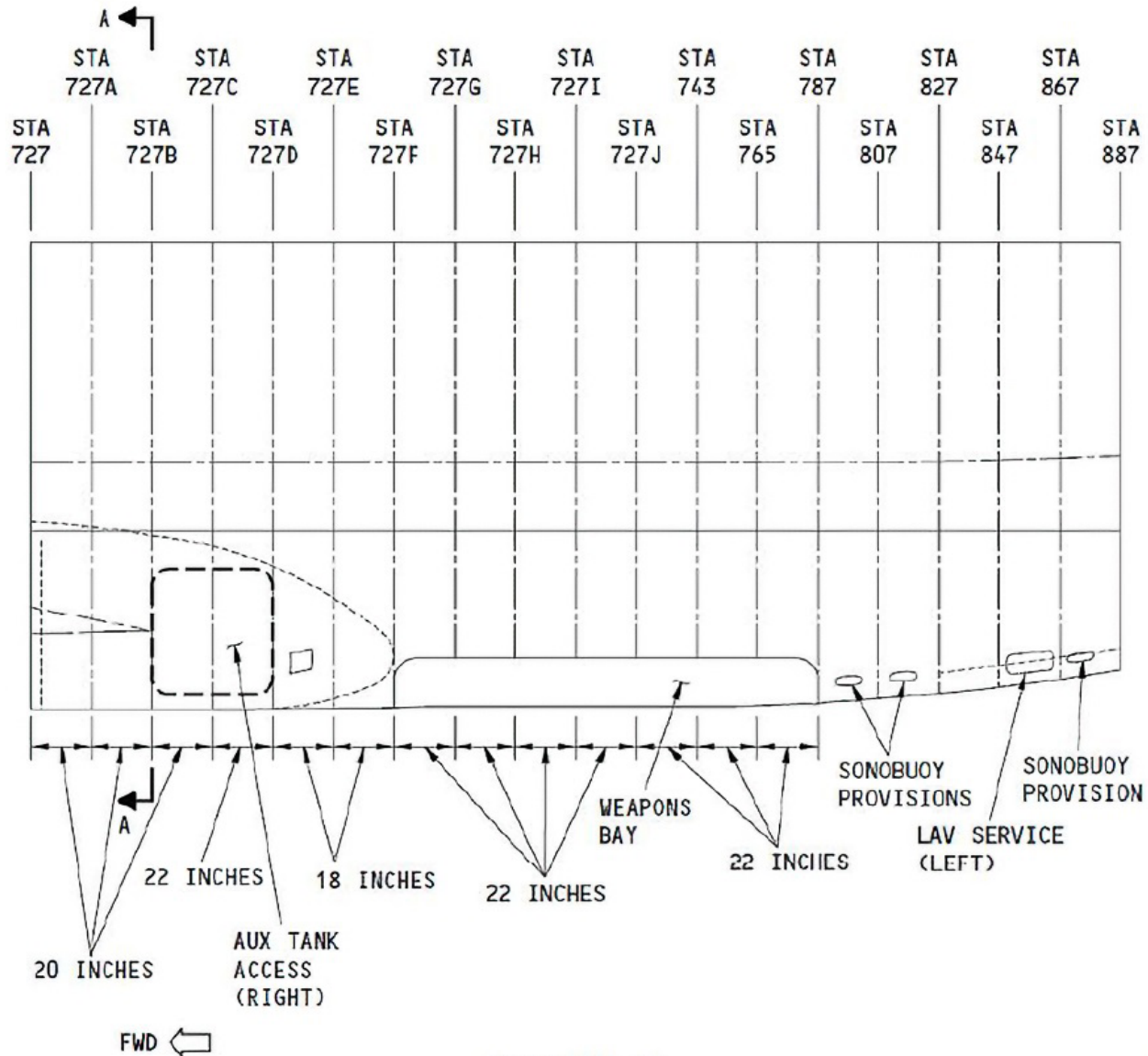
Sheet No: _____

Port Section 44 Fuselage



Acceptable Damage and Husbandry Fault Map

Port Section 46 Fuselage

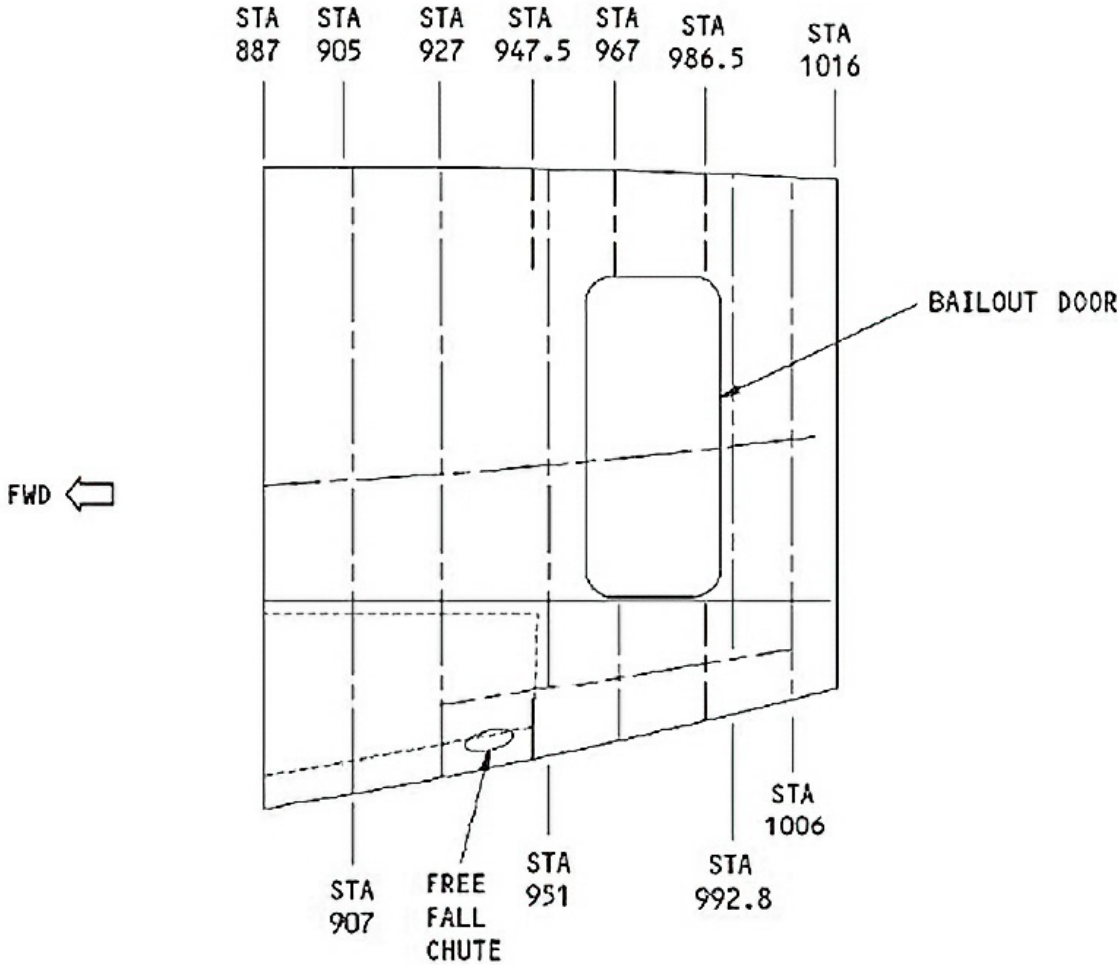


Acceptable Damage and Husbandry Fault Map

Aircraft Serial No: _____

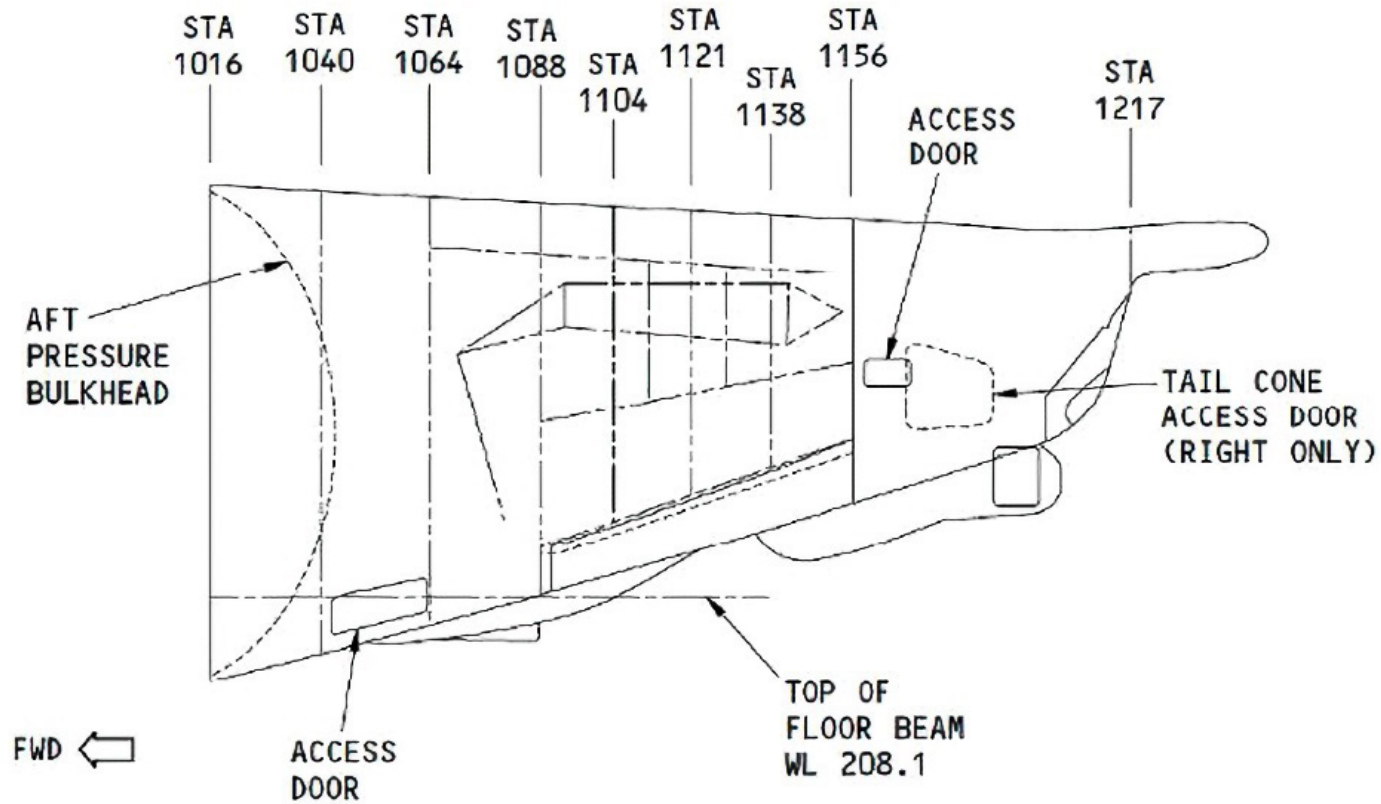
Sheet No: _____

Port Section 47 Fuselage



Acceptable Damage and Husbandry Fault Map

Port Section 48 Fuselage

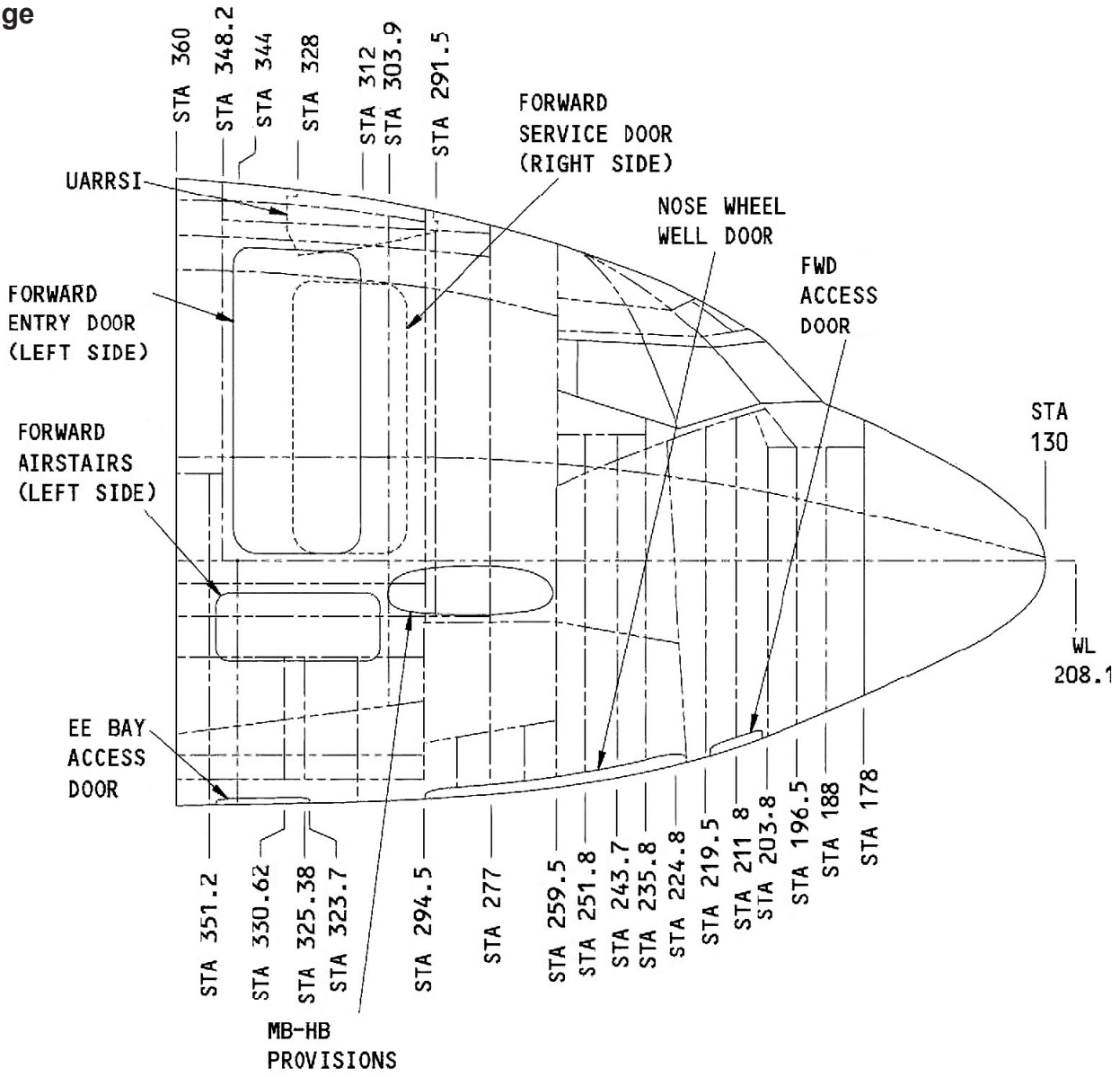


Acceptable Damage and Husbandry Fault Map

Aircraft Serial No: _____

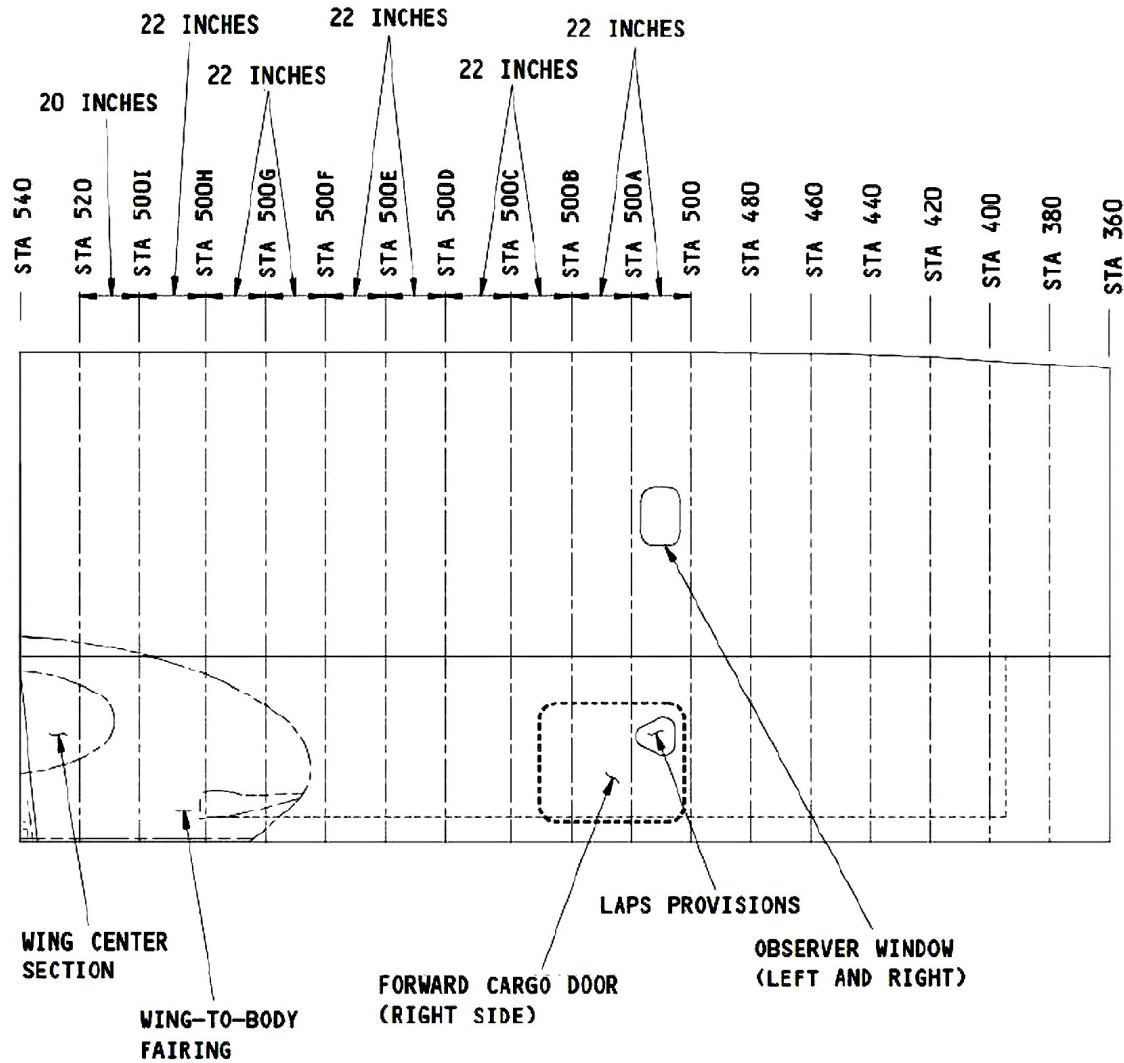
Sheet No: _____

Stbd Section 41 Fuselage



Acceptable Damage and Husbandry Fault Map

Stbd Section 43 Fuselage

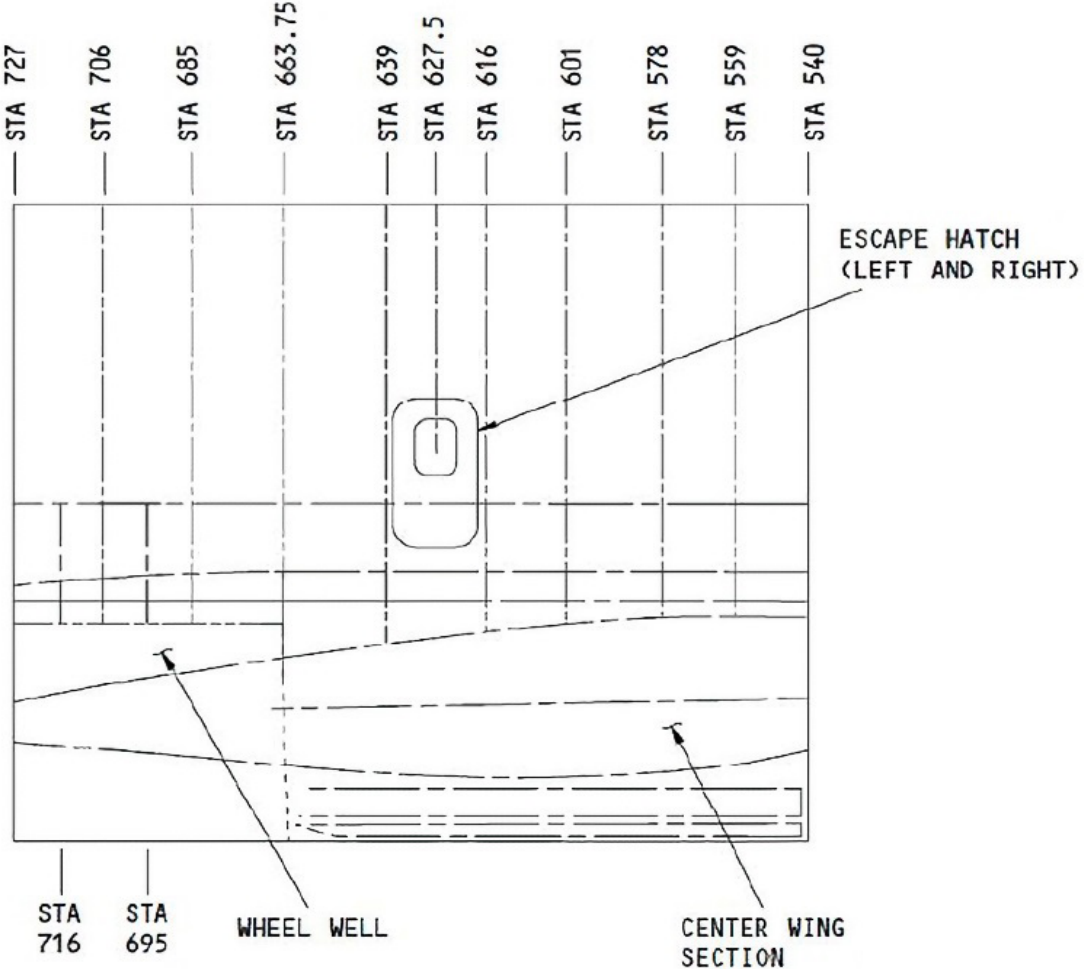


Acceptable Damage and Husbandry Fault Map

Aircraft Serial No: _____

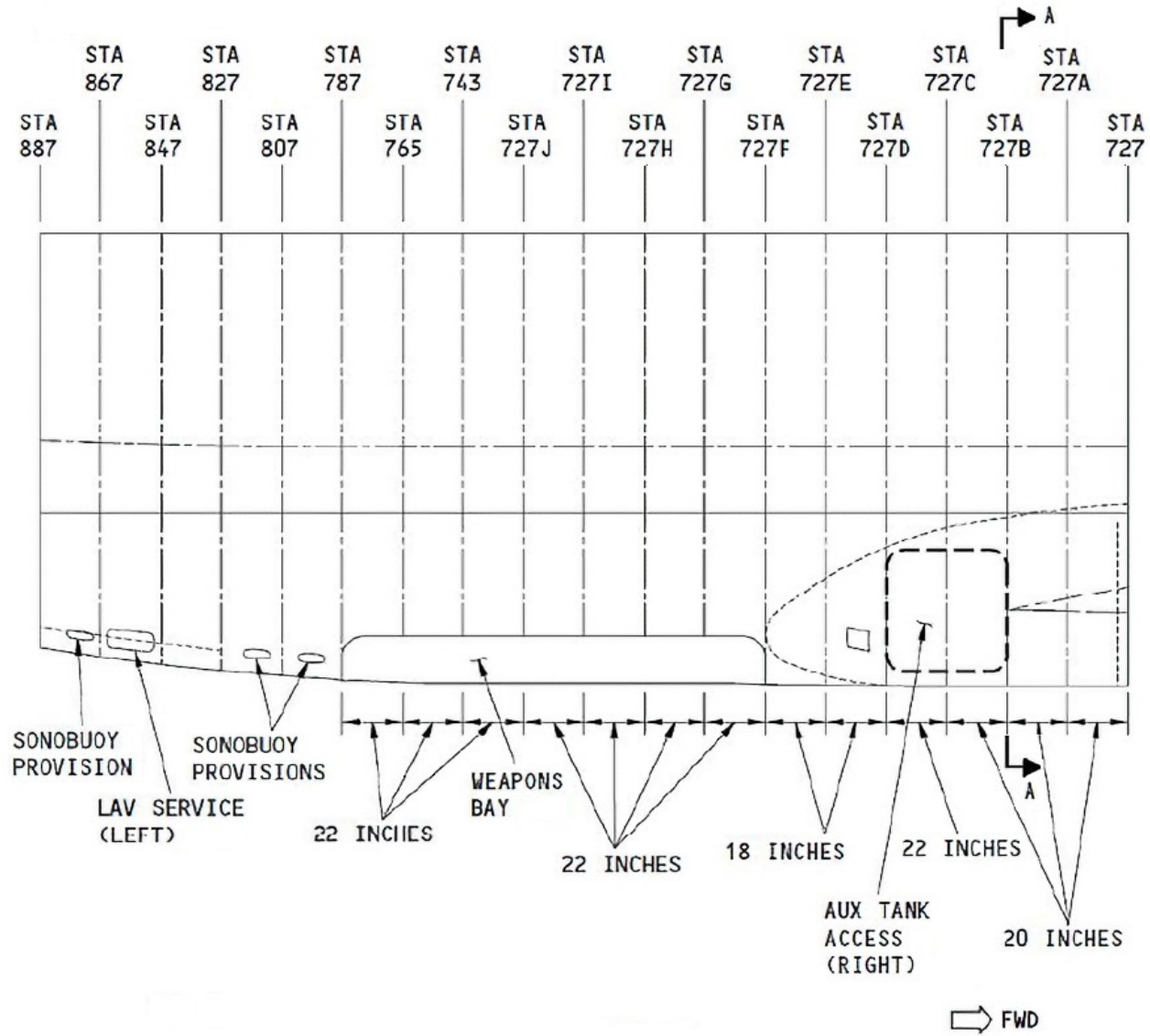
Sheet No: _____

Stbd Section 44 Fuselage



Acceptable Damage and Husbandry Fault Map

Stbd Section 46 Fuselage

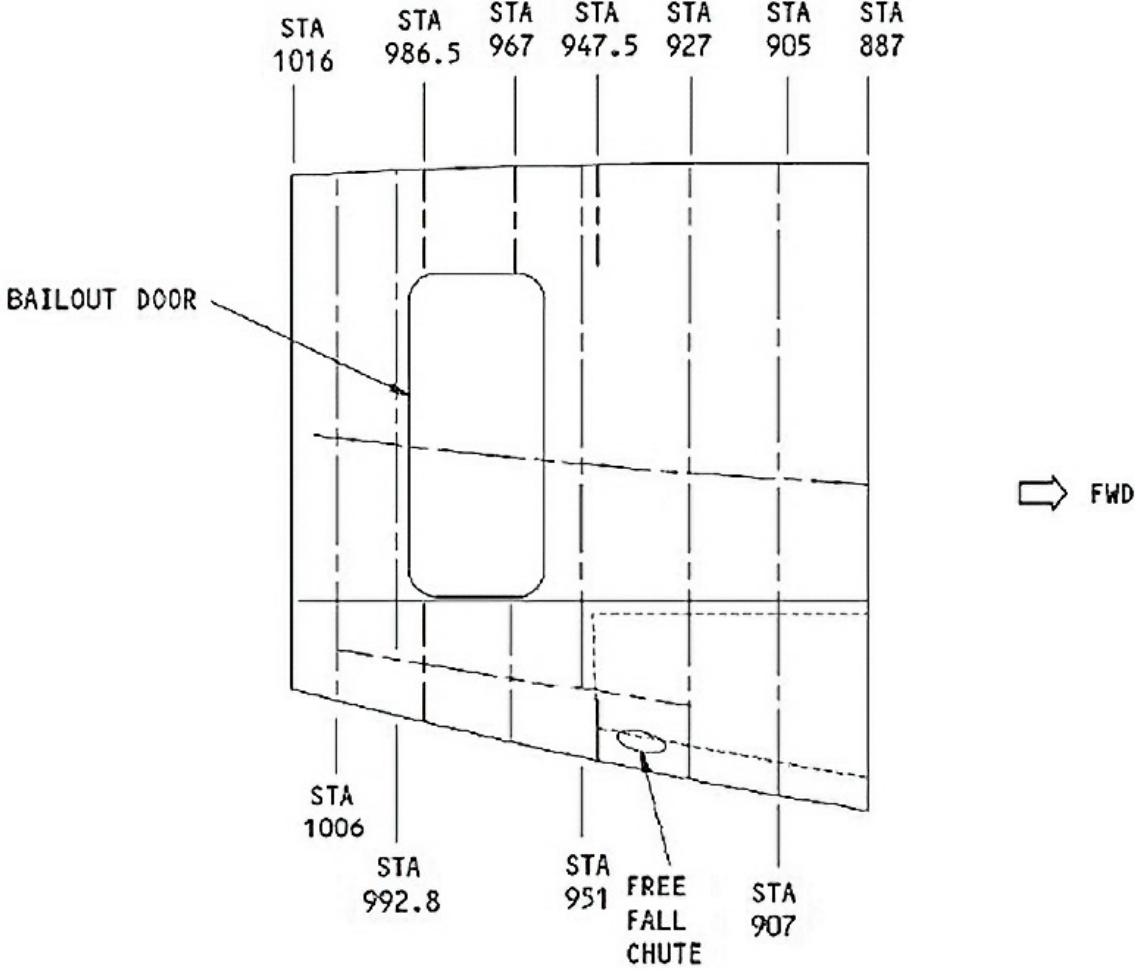


Acceptable Damage and Husbandry Fault Map

Aircraft Serial No: _____

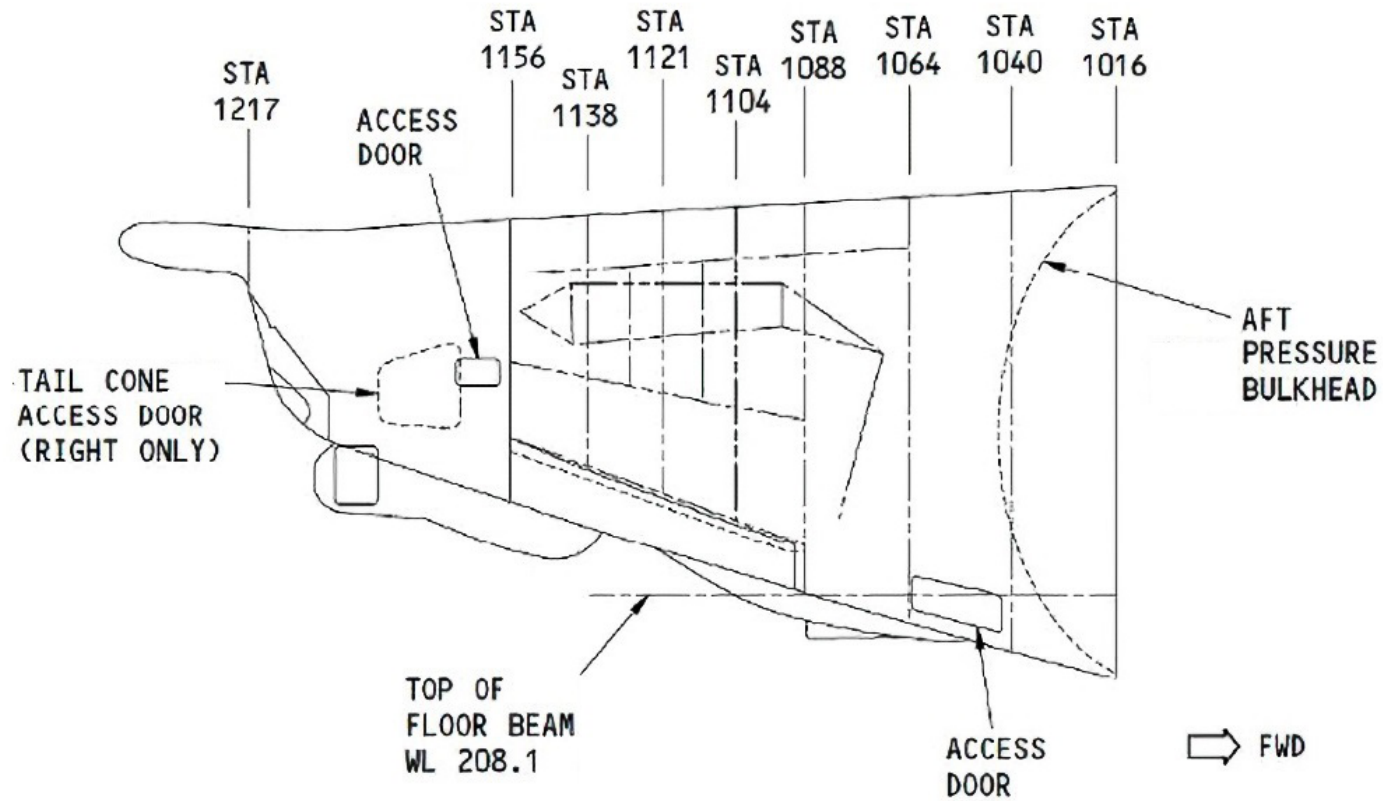
Sheet No: _____

Stbd Section 47 Fuselage



Acceptable Damage and Husbandry Fault Map

Stbd Section 48 Fuselage

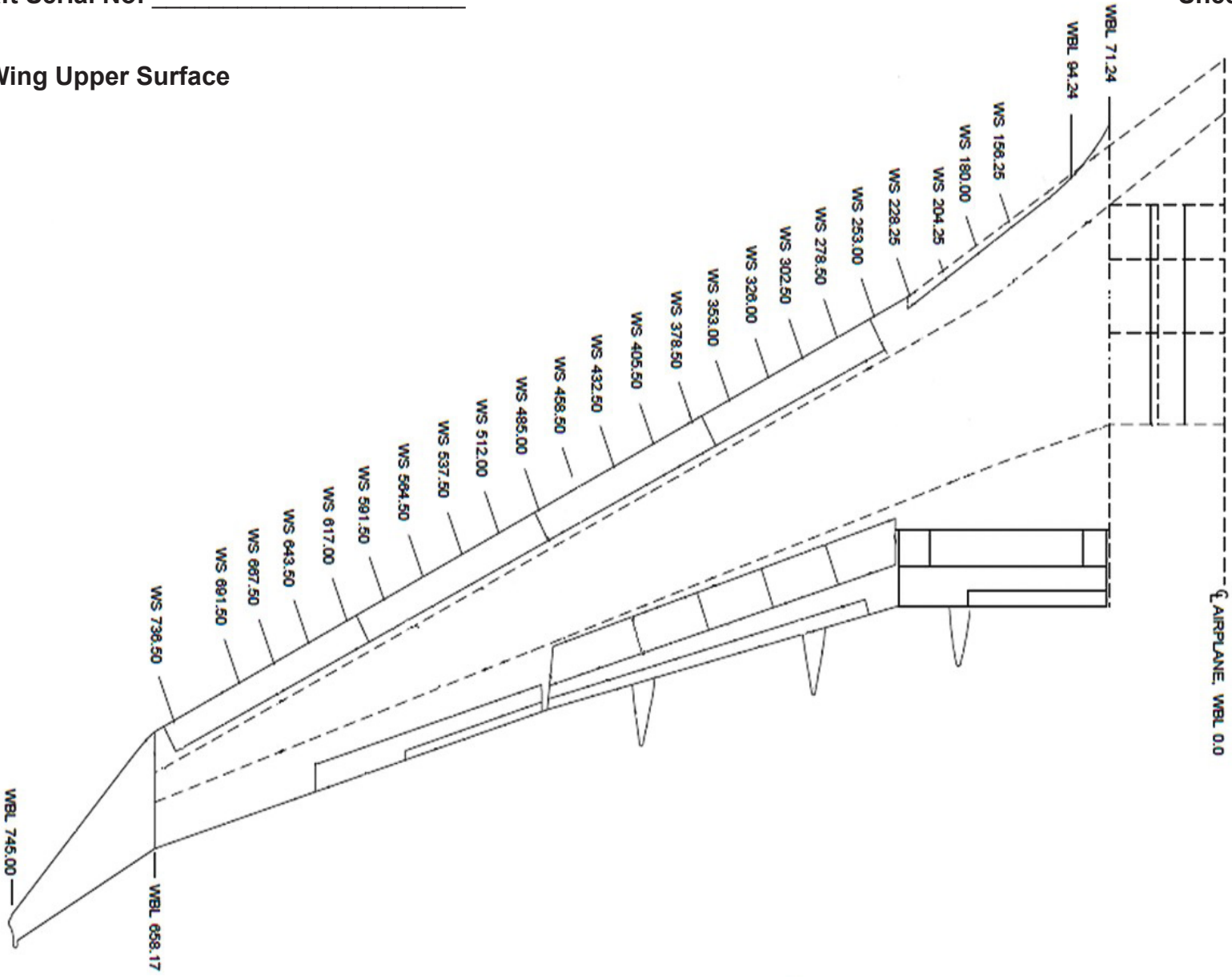


Acceptable Damage and Husbandry Fault Map

Aircraft Serial No: _____

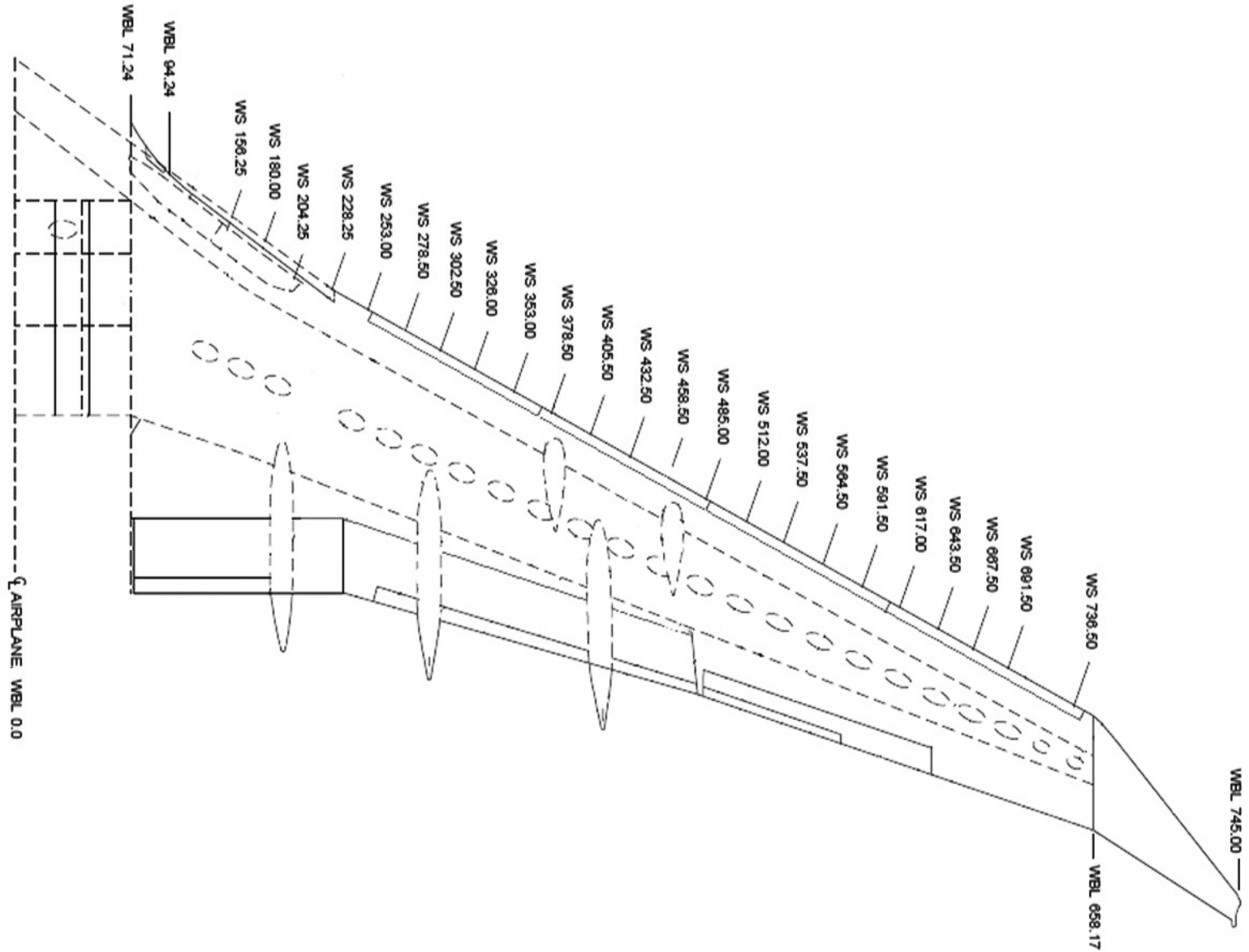
Sheet No: _____

Port Wing Upper Surface



Acceptable Damage and Husbandry Fault Map

Port Wing Lower Surface

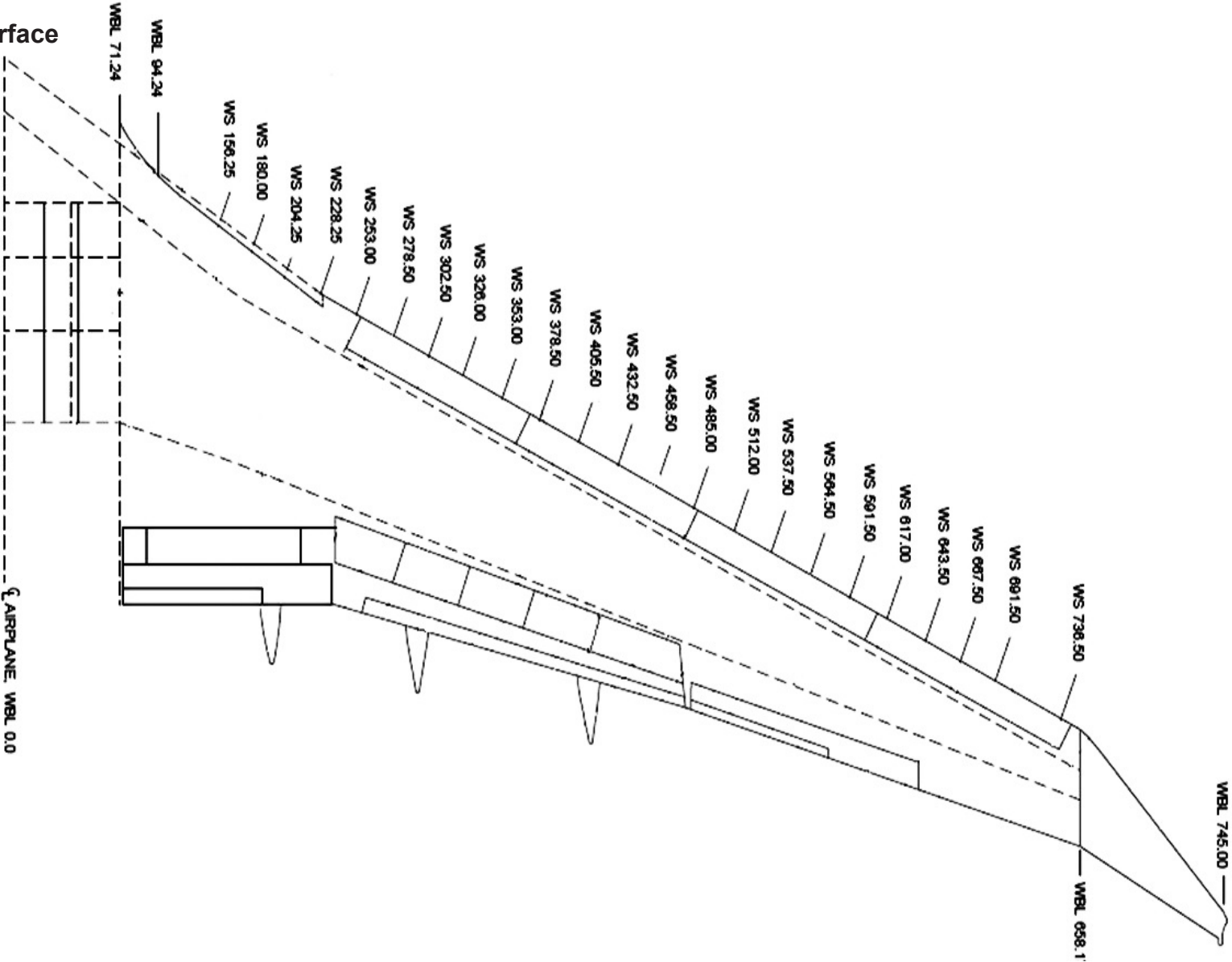


Acceptable Damage and Husbandry Fault Map

Aircraft Serial No: _____

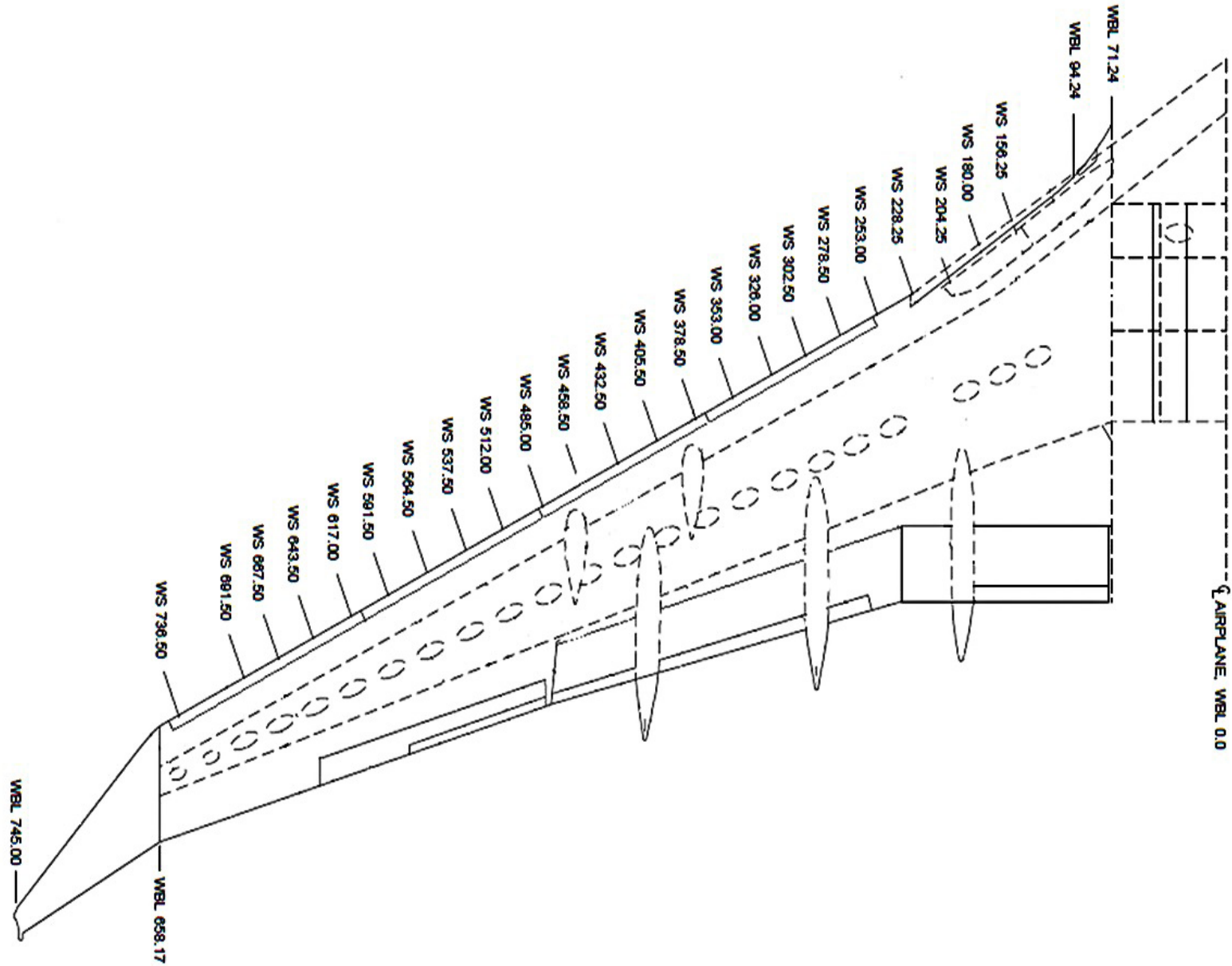
Sheet No: _____

Stbd Wing Upper Surface



Acceptable Damage and Husbandry Fault Map

Stbd Wing Lower Surface

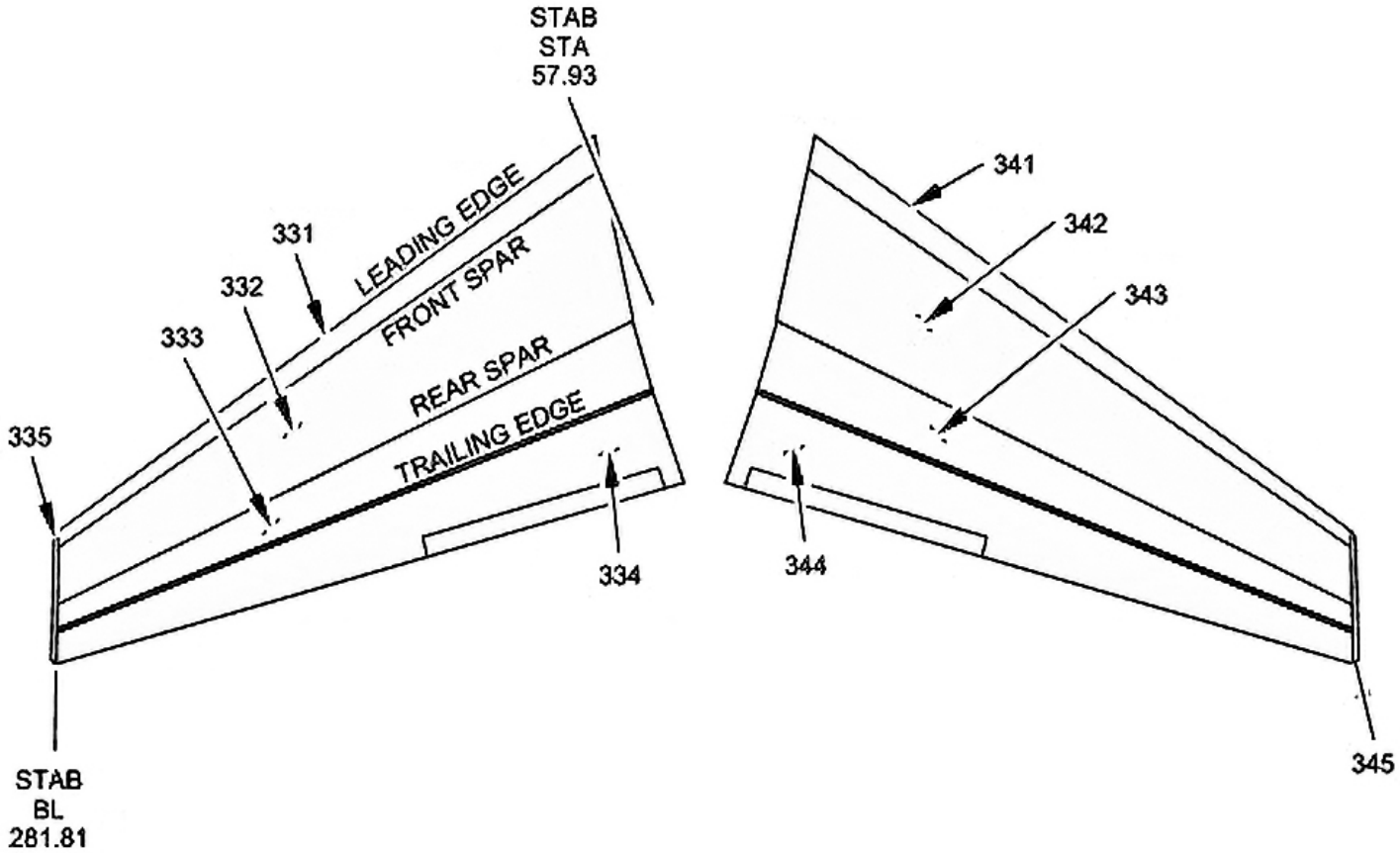


Acceptable Damage and Husbandry Fault Map

Aircraft Serial No: _____

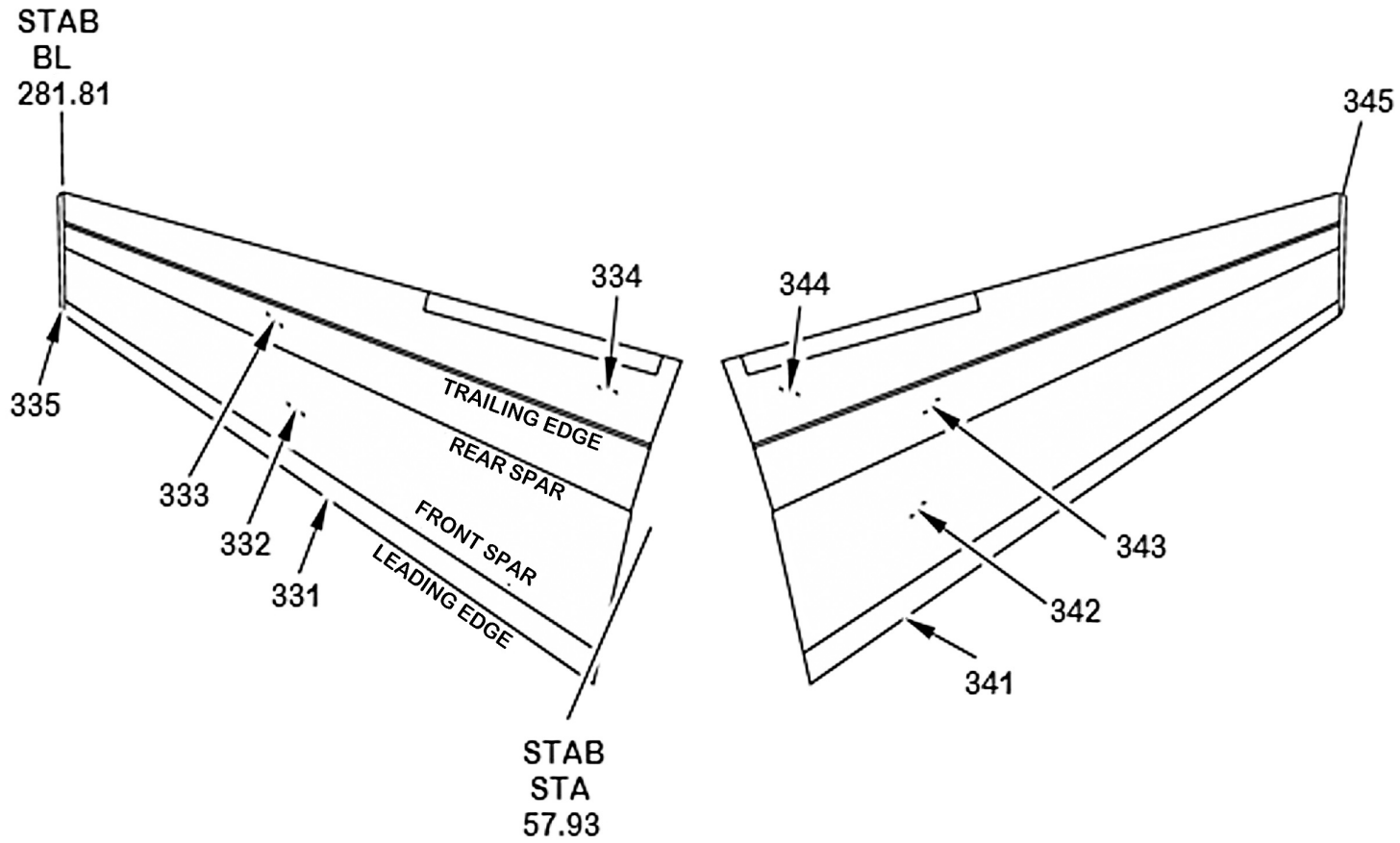
Sheet No: _____

Horizontal Stabilizer Upper Surface



Acceptable Damage and Husbandry Fault Map

Horizontal Stabilizer Lower Surface

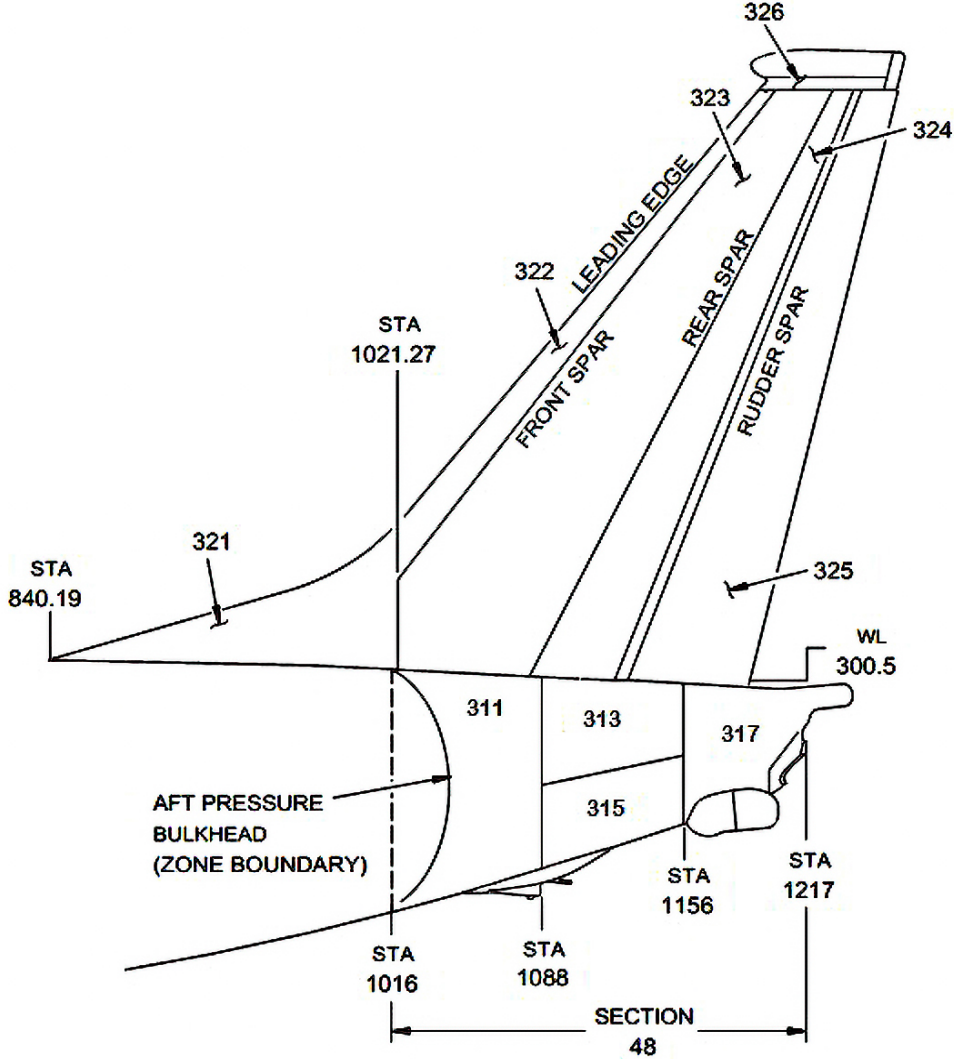


Acceptable Damage and Husbandry Fault Map

Aircraft Serial No: _____

Sheet No: _____

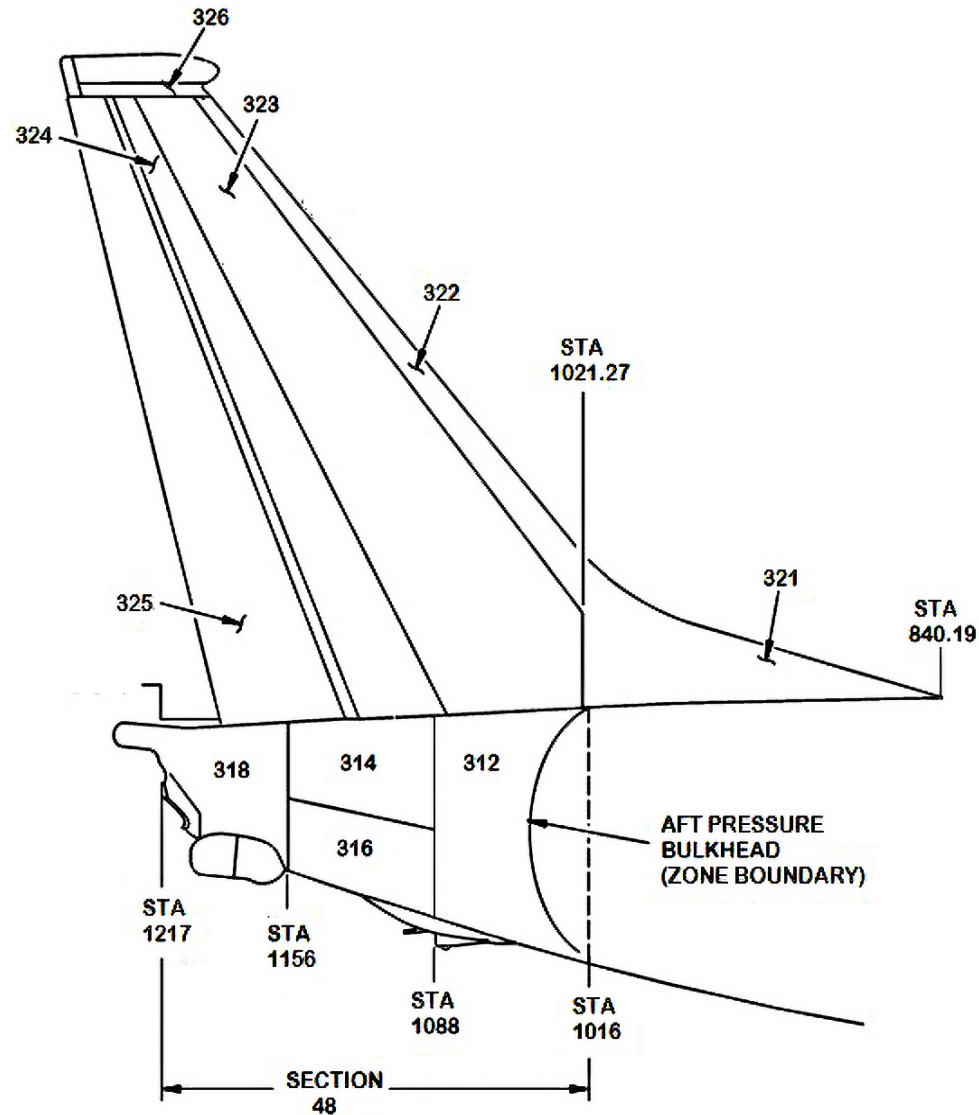
Port Side Vertical Stabilizer



SUBZONE 310 - SECTION 48
SUBZONE 320 - VERTICAL FIN AND RUDDER

Acceptable Damage and Husbandry Fault Map

Stbd Side Vertical Stabilizer



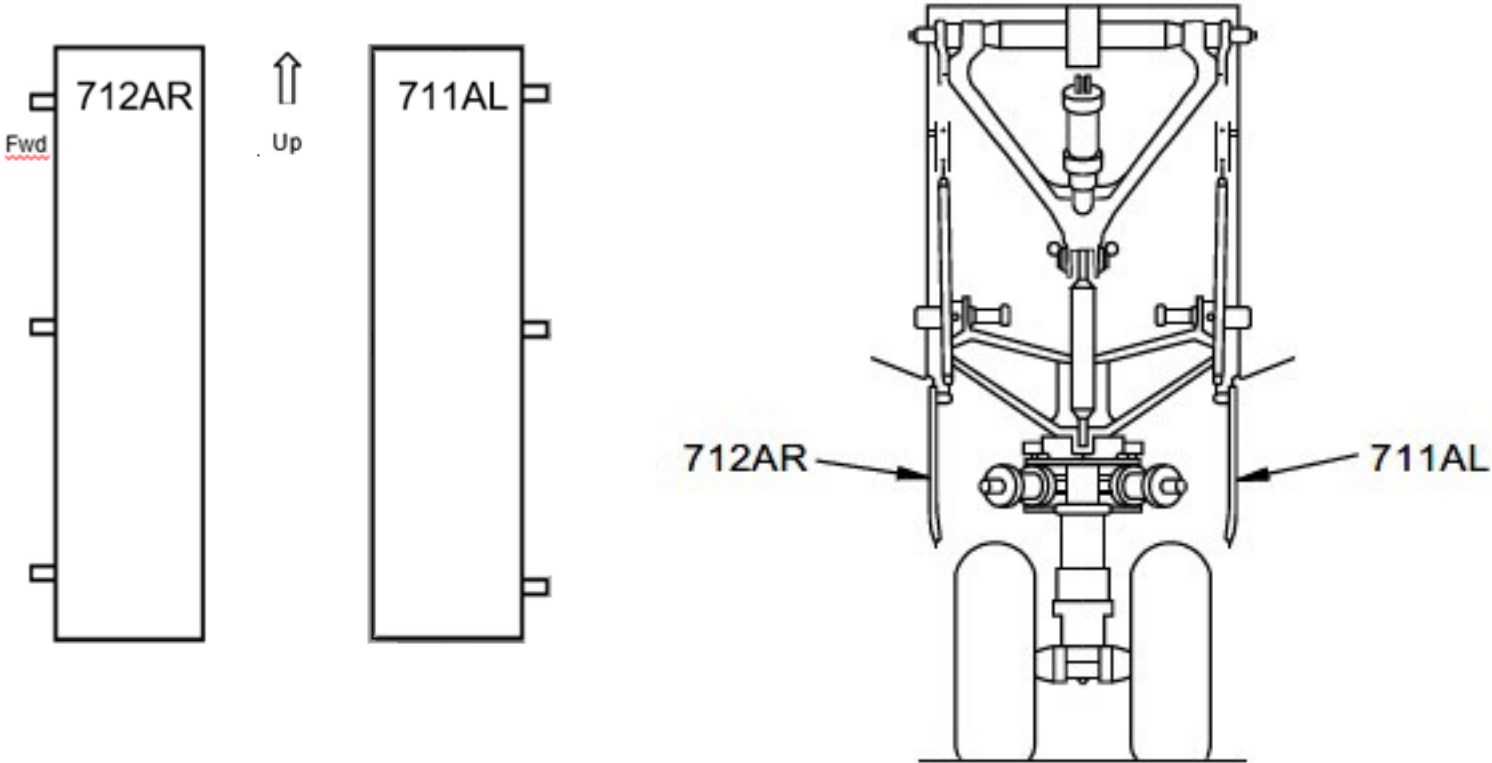
SUBZONE 310 - SECTION 48
SUBZONE 320 - VERTICAL FIN AND RUDDER

Acceptable Damage and Husbandry Fault Map

Aircraft Serial No: _____

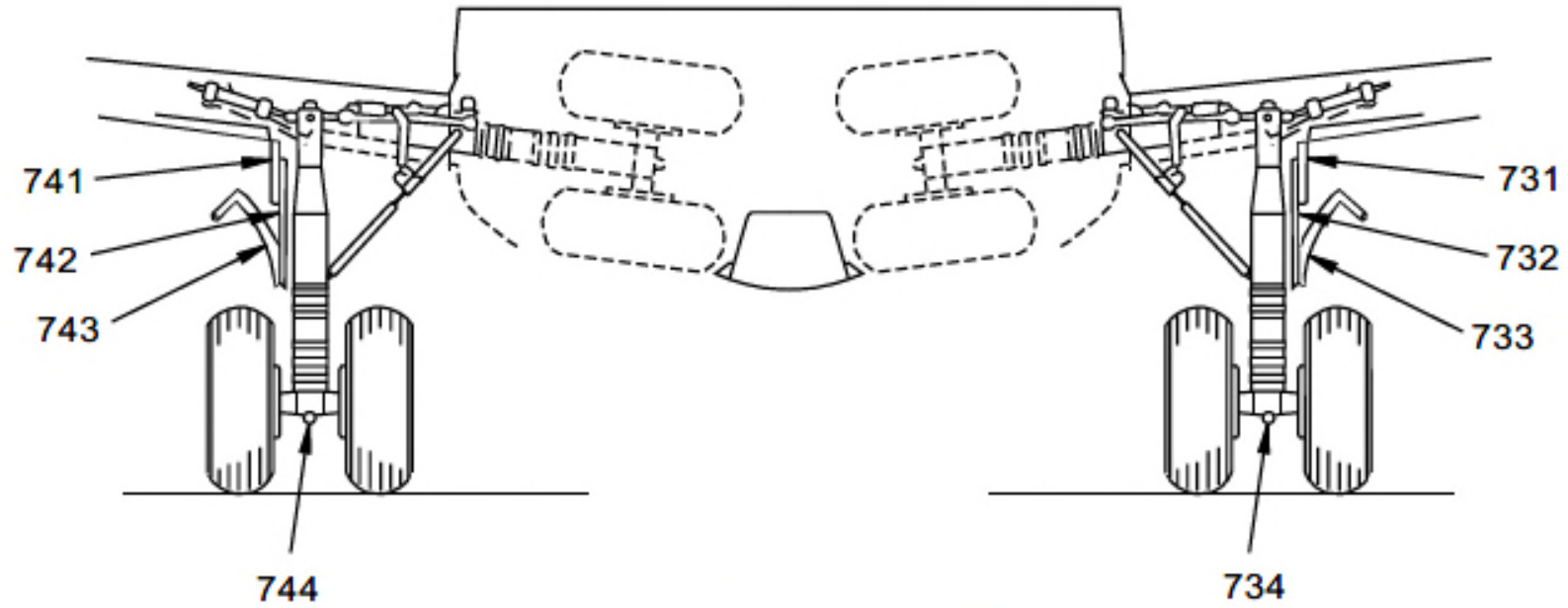
Sheet No: _____

NLG Doors



Acceptable Damage and Husbandry Fault Map

MLG Doors

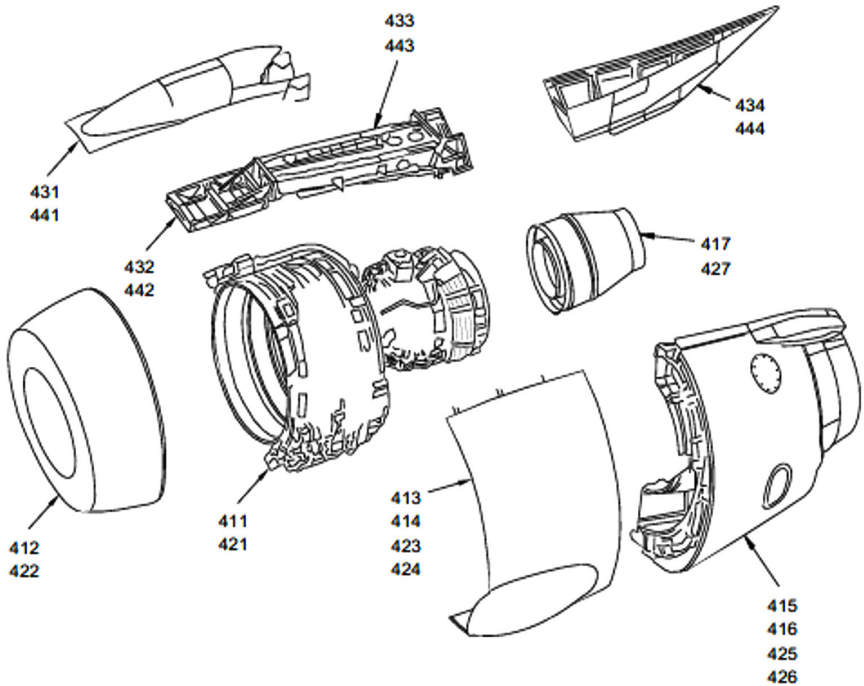


Acceptable Damage and Husbandry Fault Map

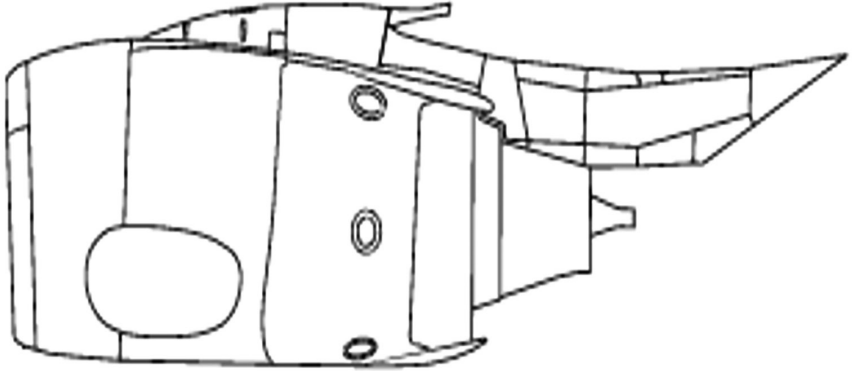
Aircraft Serial No: _____

Sheet No: _____

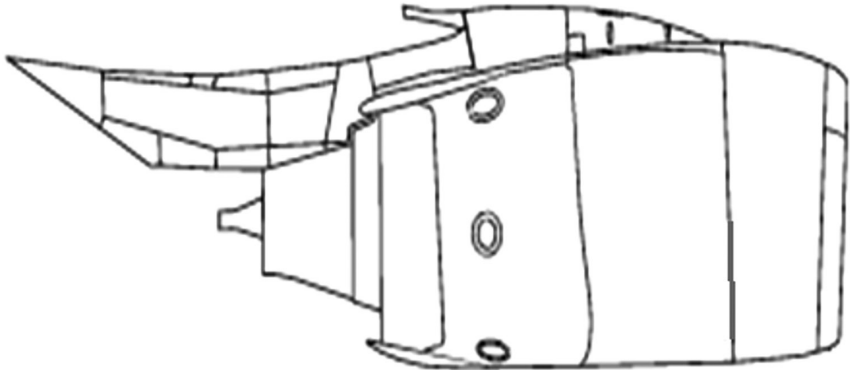
No.1 ECU Nacelle



- SUBZONE 410 - ENGINE 1
- SUBZONE 420 - ENGINE 2
- SUBZONE 430 - ENGINE 1 - NACELLE STRUT
- SUBZONE 440 - ENGINE 2 - NACELLE STRUT



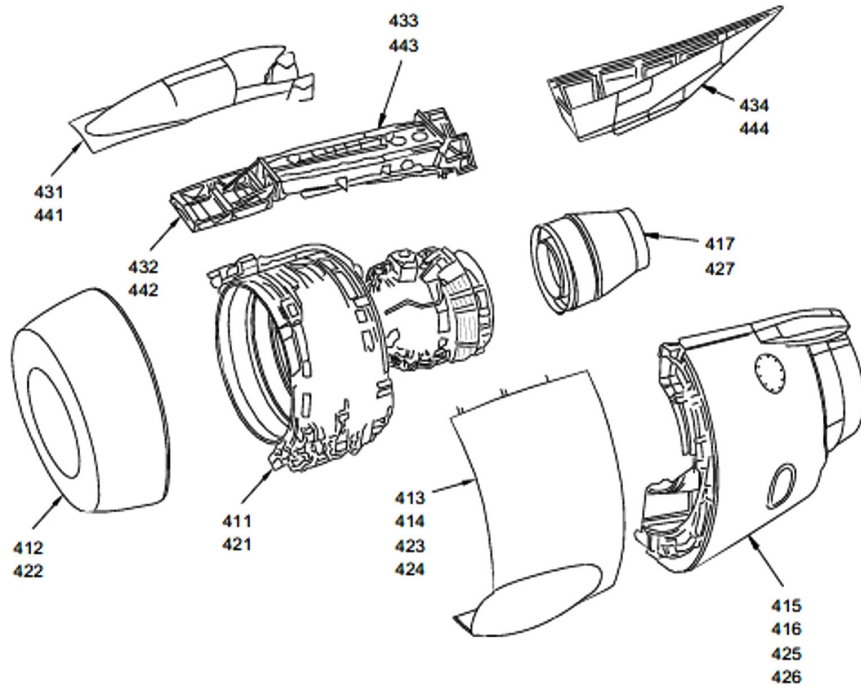
No.1 Outboard



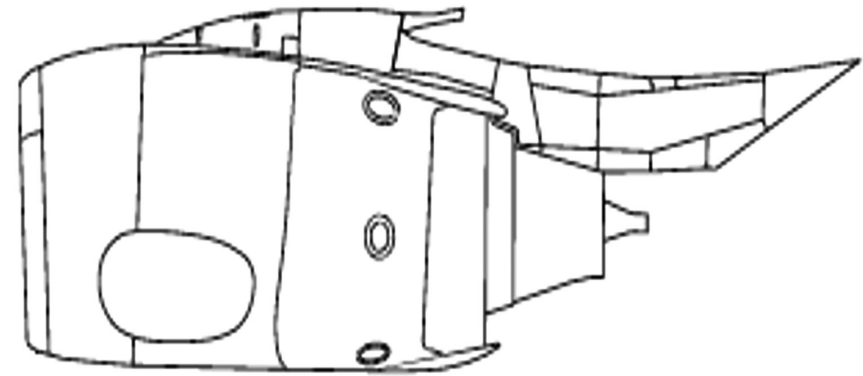
No.1 Inboard

Acceptable Damage and Husbandry Fault Map

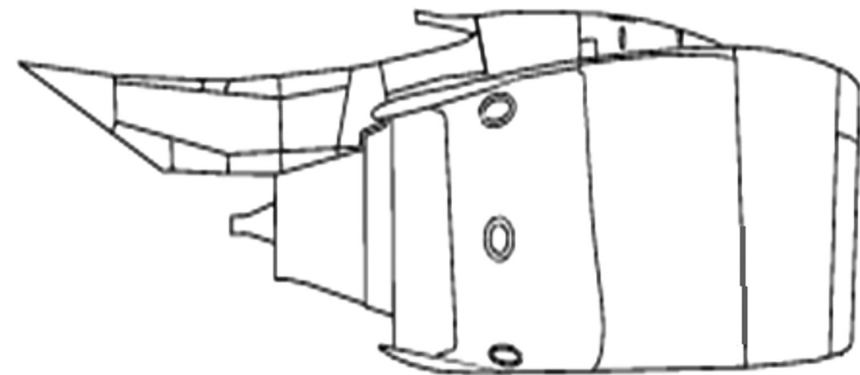
No.2 ECU Nacelle



- SUBZONE 410 - ENGINE 1
- SUBZONE 420 - ENGINE 2
- SUBZONE 430 - ENGINE 1 - NACELLE STRUT
- SUBZONE 440 - ENGINE 2 - NACELLE STRUT



No.2 Inboard



No.2 Outboard

Acceptable Damage and Husbandry Fault Map

Aircraft Serial No: _____

Sheet No: _____

Internal

