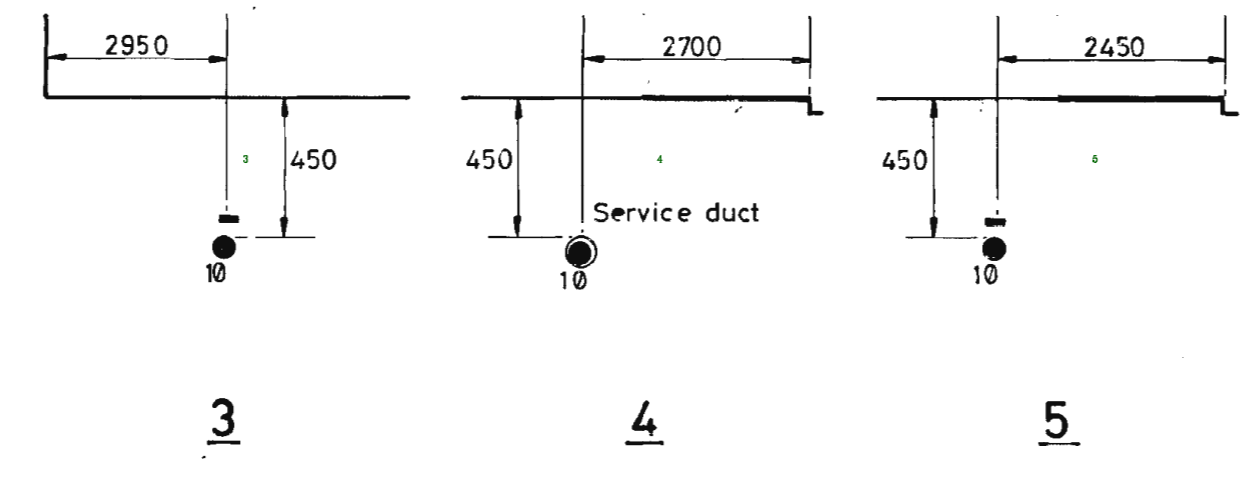
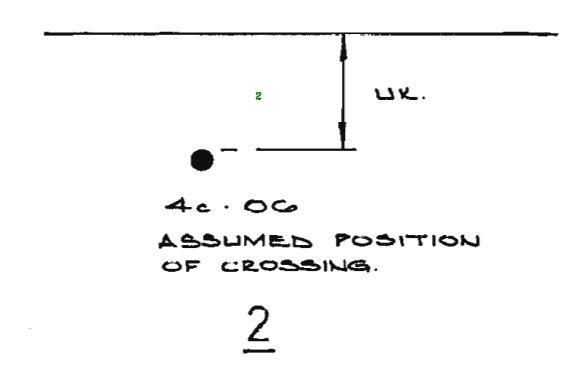
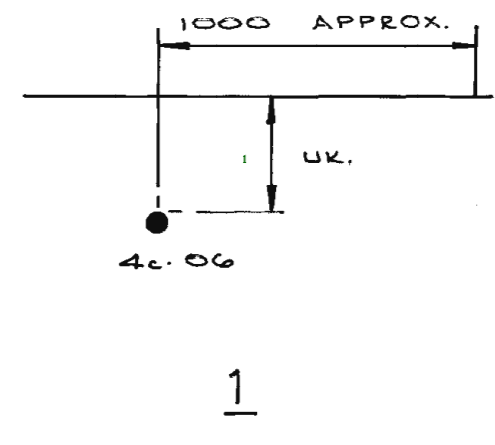
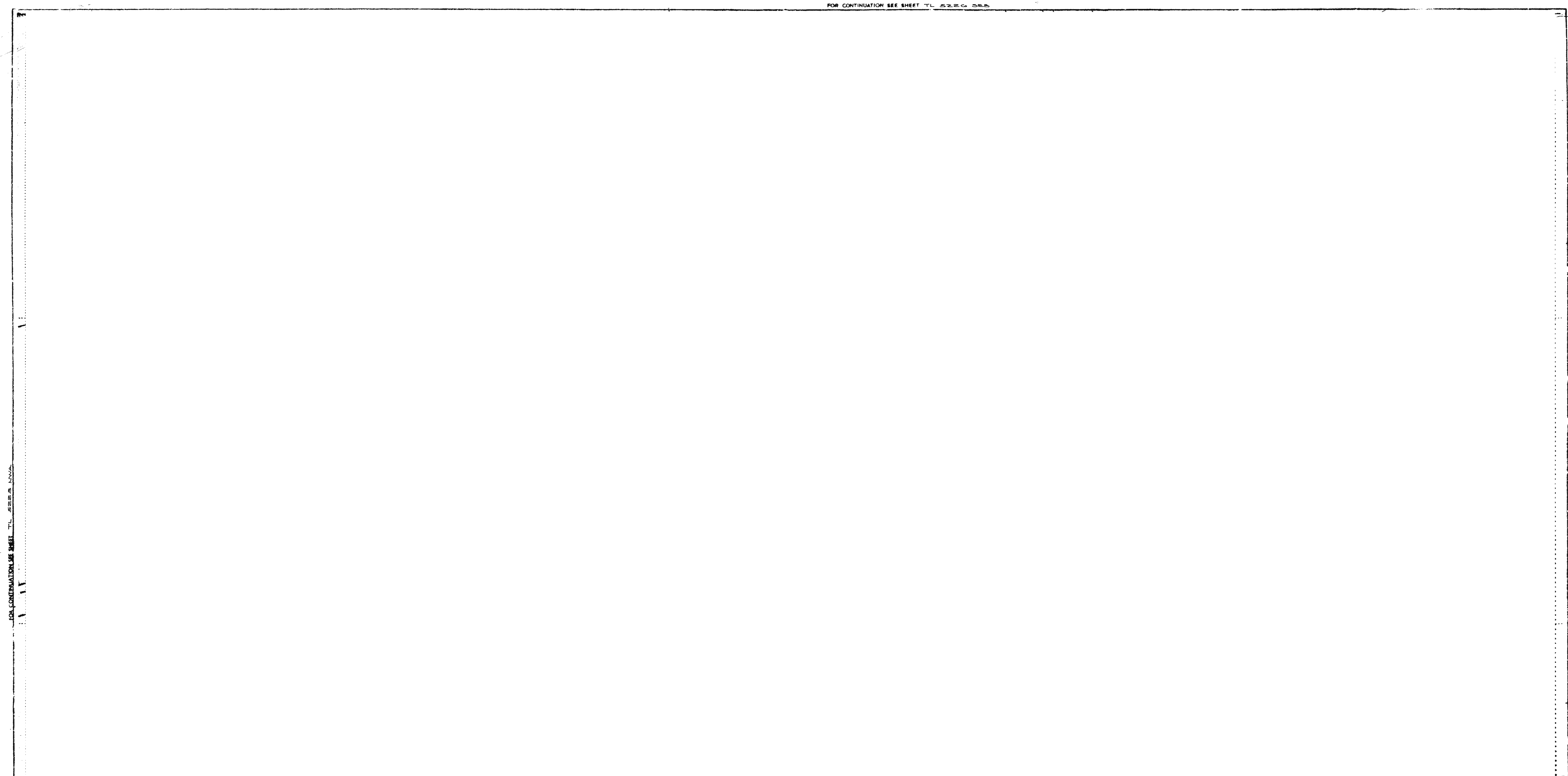


SO

TL5225NEA 1:500 LV

FOR CONTINUATION SEE SHEET TL 5225 NEA



Underground oil pipeline operated by British Pipeline Agency Ltd. in this area. For approximate route and conditions refer to BPA route maps and guidance notes. Precise positions are subject to on-site location by BPA staff.

PILOT CABLES AND HIGH VOLTAGE CABLES
Serial numbers refer to this sheet only and lengths are to sheet edge

No.	kV	Size	Cores	Designation	Lengths		No.	kV	Size	Cores	Designation	Lengths	
					metres	yards						metres	yards
							1014758	11	185sq	3/c	ELSENHAM WEST - GILBERT COTT		
							1014757	11	185sq	3/c	HW POLE 18 - ELSENHAM WEST		
							1014955	11	185sq/200sq	3/c	TEE OFF HW4157 TO STANFED ROAD SOUTH ROAD		
					Total length							Total length	

NOTES (1) FOR FULL DETAILS OF 33 kV CABLES REFERENCE SHOULD BE MADE TO THE PRIMARY RECORDS
(2) E DENOTES CNE CABLE & DENOTES ALPFA TYPE
(3) ALL HEIGHTS SHOWN ARE AS LAY, SUBJECT TO FINAL LEVELS.
(4) UK DENOTES UNKNOWN.

eastern electricity

1:500 SCALE U/G MAINS
LOCATION **ELSENHAM**

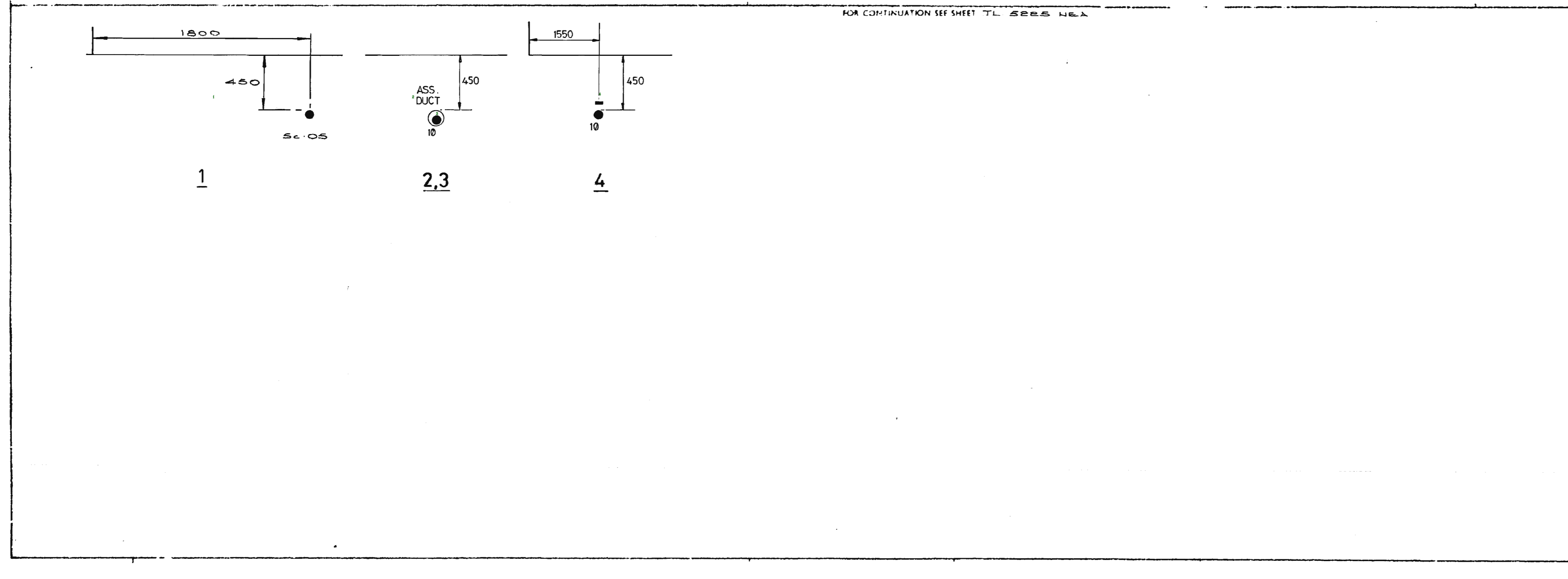
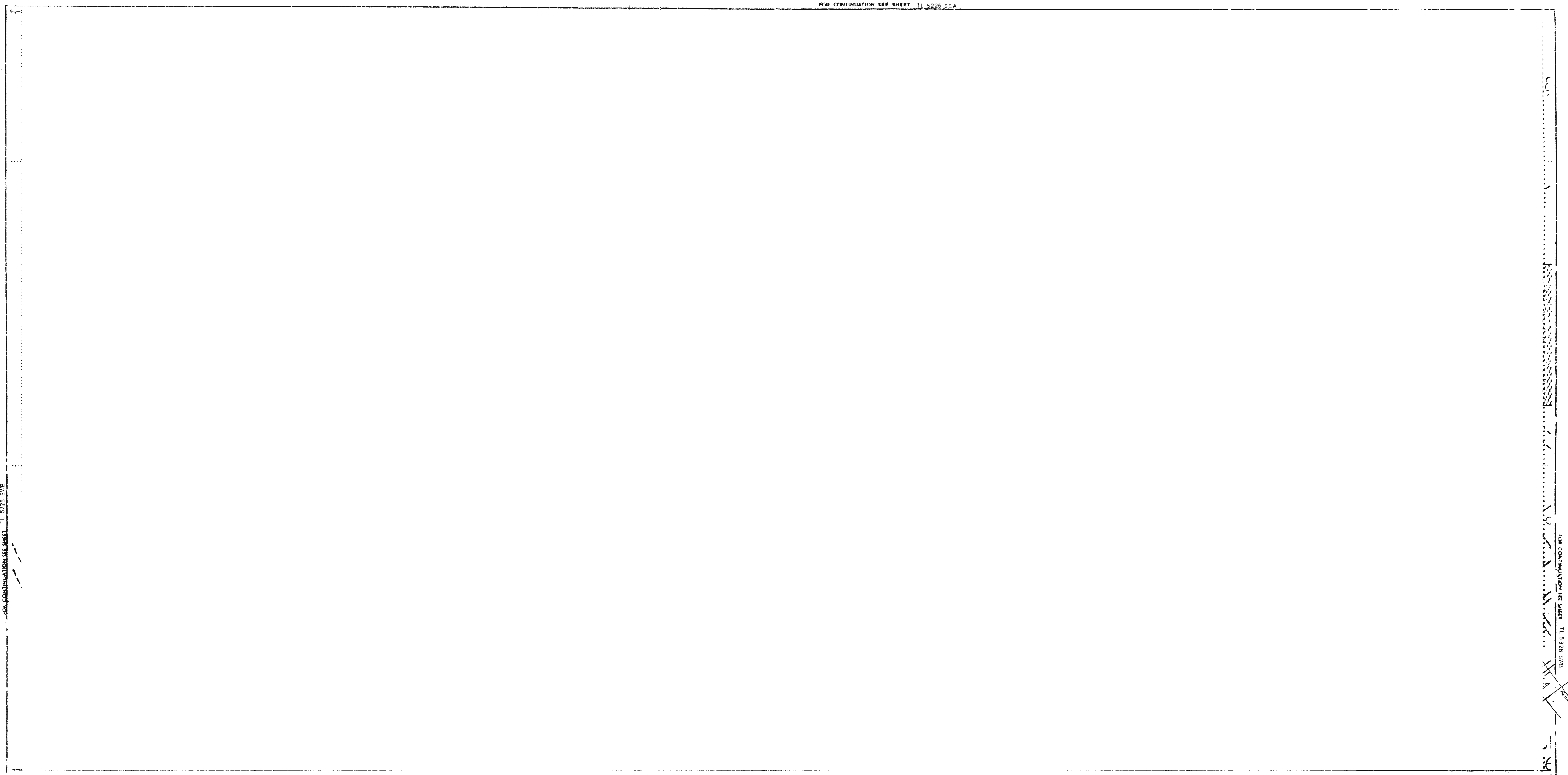
DIMENSIONS IN MILLIMETRES
REPRODUCED FROM OR BASED UPON THE ORIGINANCE SURVEY MAP WITH THE SANCTION OF THE CONTROLLER OF HM STATIONERY OFFICE. CROWN COPYRIGHT RESERVED.
SERVICES FOR DETAILS OF SERVICE CABLE REFERENCE SHOULD BE MADE TO THE SERVICE CARDS IN THE DISTRICT OFFICE.
SHEET NO **TL 5225 NEA**
SUPPLEMENTARY SHEET NO
ISSUE **B**
DATE **OCT94**

TL 5225 NEA

SO

TL5226SEB 1:500 LV

FOR CONTINUATION SEE SHEET TL 5226 SEA



FOR CONTINUATION SEE SHEET TL 5226 SEA

PILOT CABLES AND HIGH VOLTAGE CABLES

Serial numbers refer to this sheet only and lengths are to sheet edge

No	kV	Size	Cores	Designation	Lengths		No	kV	Size	Cores	Designation	Lengths	
					Meters	Feet						Meters	Feet
											ELSENHAM WEST - GILBEY COTTES		
Total length							Total length						

NOTES (1) FOR FULL DETAILS OF 33 kV CABLES REFERENCE SHOULD BE MADE TO THE PRIMARY RECORDS
 (2) E DENOTES CNE CABLE & DENOTES ALPHEX TYPE
 (3) ALL DEPTHS SHOWN ARE AS LAB, SUBJECT TO FINAL LEVELS



1:500 SCALE U/G MAINS
 LOCATION ELSENHAM

DIMENSIONS IN MILLIMETRES	REPRODUCED FROM OR BASED UPON THE ORDNANCE SURVEY MAP WITH THE SANCTION OF THE CONTROLLER OF HM STATIONERY OFFICE. CROWN COPYRIGHT RESERVED	SERVICES FOR DETAILS OF SERVICE LABELS REFERENCE SHOULD BE MADE TO THE SERVICE CARDS IN THE DISTRICT OFFICE	SHEET NO TL 5226 SEB SUPPLEMENTARY SHEET NO	ISSUE B	DATE OCT 94
---------------------------	---	---	--	---------	-------------