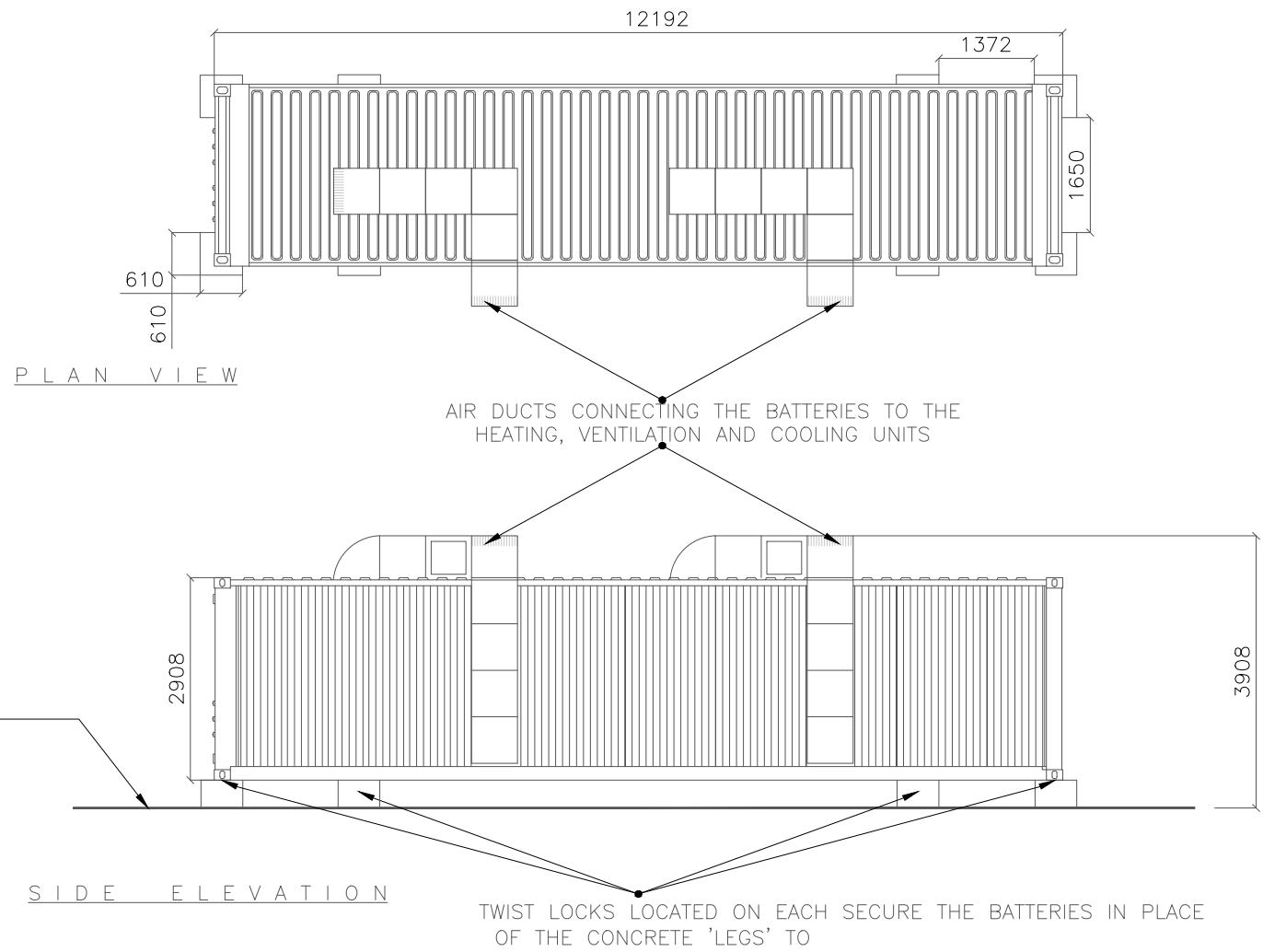


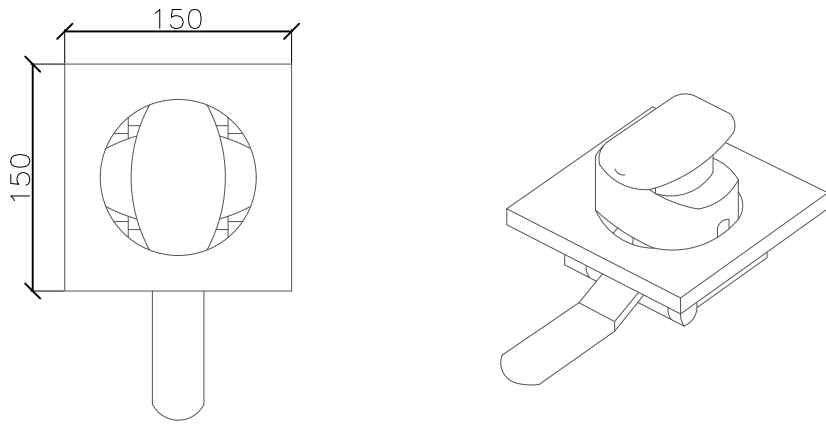
Revisions:

Revision	Date	Revision Notes	Drawn	Inspected
01	21.06.21	First Issue	JS	LM

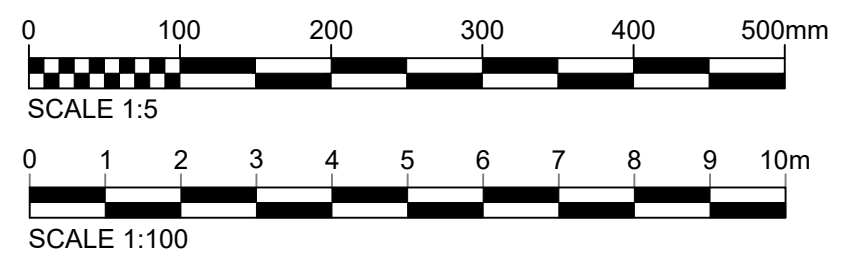
NOTES:



1 BATTERY CONTAINER PLAN AND ELEVATIONS
Scale: 1:100@A3



2 WELD TWIST LOCK EXAMPLE
Scale: 1:5@A3



Status: **PLANNING**



13 Berkeley Street, London W1J 8DU
Tel: +44(0)207 4090700
enquiries@lowcarbon.com www.lowcarbon.com

Drawing Title: **40ft Battery Container (HVAC on ground) Standard Detail**

Drawn: JS Checked: LM First Issued: 21.06.2021

Project Code: **LCS-** Drawing Number: **SD-11**

Sheet Size: **A3** Scale: **AN** Revision: **01**