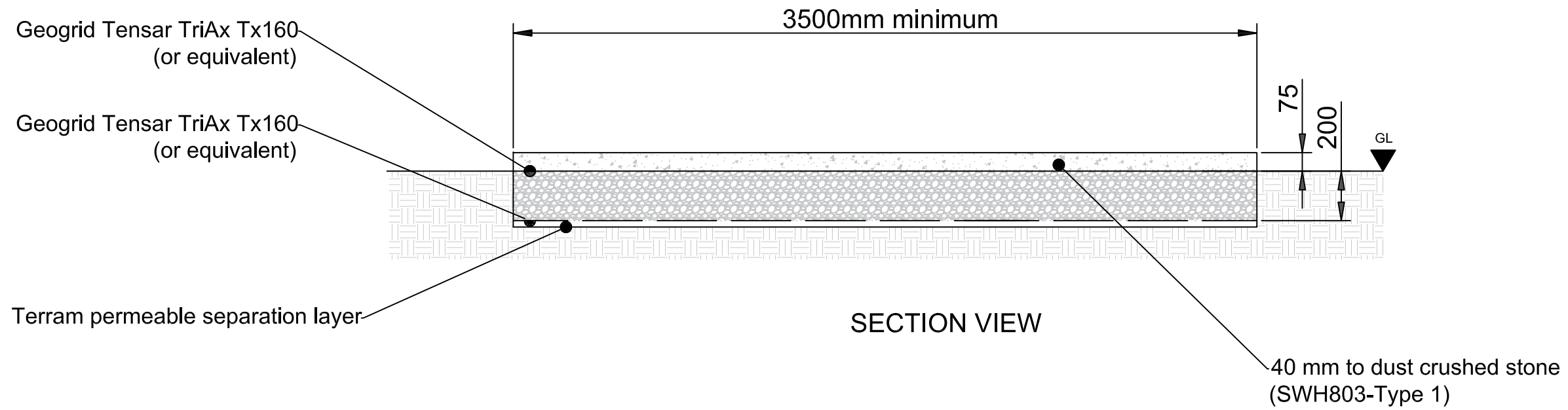


Revisions:

Revision	Date	Revision Notes	Drawn	Inspected
01	23.07.20	First Issue	HN	IL

NOTES:



Status: **FOR PLANNING**



13 Berkeley Street, London W1J 8DU  
 Tel: +44(0)207 4090700  
 enquiries@lowcarbon.com www.lowcarbon.com

Drawing Title: **Access Track Cross Section**

Drawn: HN	Checked: IL	First Issued: 23.07.2020
Project Code: <b>LCS-</b>	Drawing Number: <b>SD-06</b>	
Sheet Size: <b>A3</b>	Scale: <b>1:20</b>	Revision: <b>01</b>