

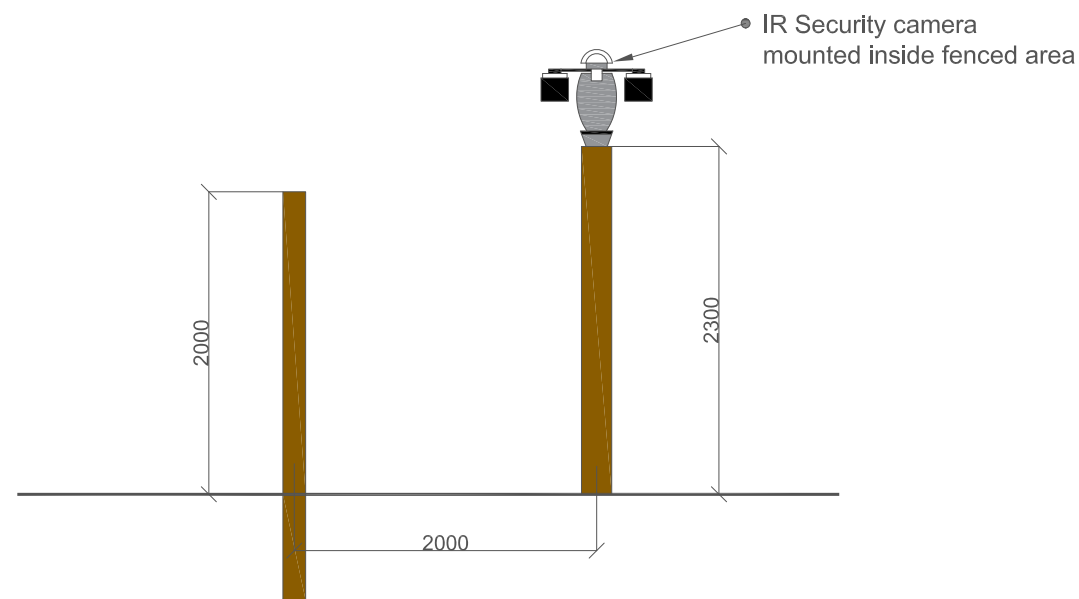
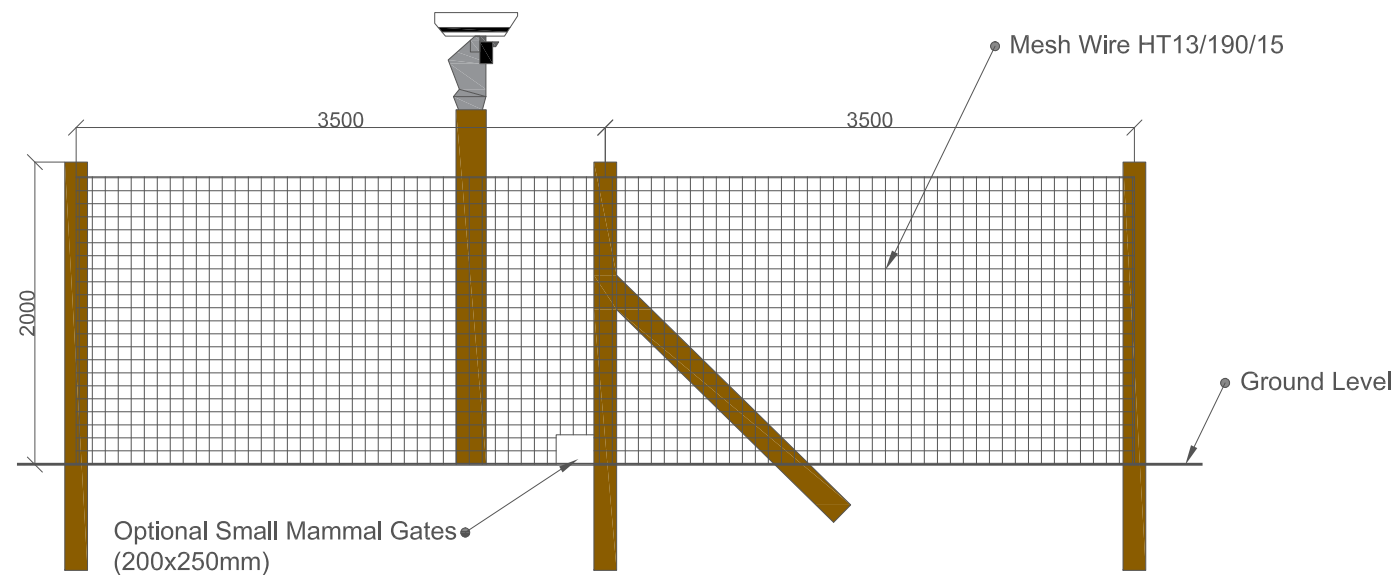
This drawing is the copyright of Low Carbon and must not be reproduced in whole or in part or used in any manner without their written permission.
 Scaled dimensions must not be taken from this drawing. All dimensions are to be confirmed on site prior to commencement of work.

Revisions:

Revision	Date	Revision Notes	Drawn	Inspected
01 02	05.06.20 10.05.20	First Issue Revised	PL PLH	IL IL

NOTES:

- The colour of the cabins and components on site will be painted RAL 6005 Moss Green, or to the LPA preference.
- Cameras to either be placed inside fenceline or mounted on directly onto fence posts. To be confirmed in the final EPC contract.



SCALE 1:50

Status:
FOR PLANNING



13 Berkeley Street, London W1J 8DU
 Tel: +44(0)207 4090700
 enquiries@lowcarbon.com www.lowcarbon.com

Drawing Title:
Security Fence and CCTV Standard Detail

Drawn: PL	Checked: IL	First Issued: 05.06.20
Project Code: LCS-	Drawing Number: SD-04	
Sheet Size: A3	Scale: 1:50	Revision: 02