

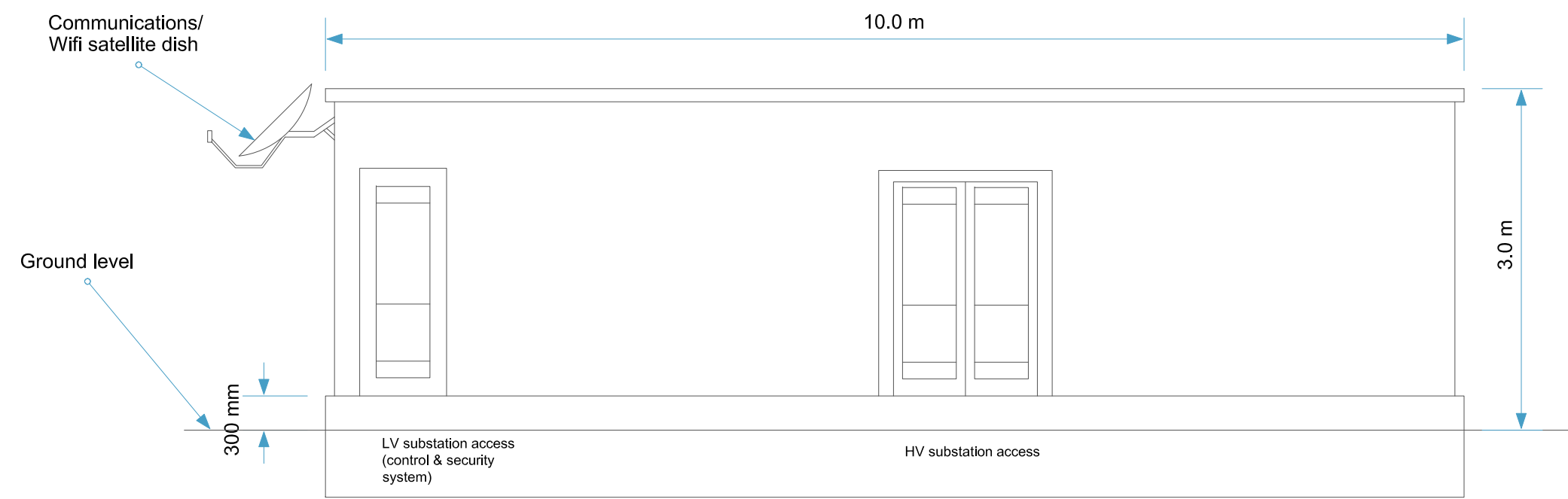
This drawing is the copyright of Low Carbon and must not be reproduced in whole or in part or used in any manner without their permission.  
 Scaled dimensions must not be taken from this drawing. All dimensions are to be confirmed on site prior to commencement of work.

Revisions:

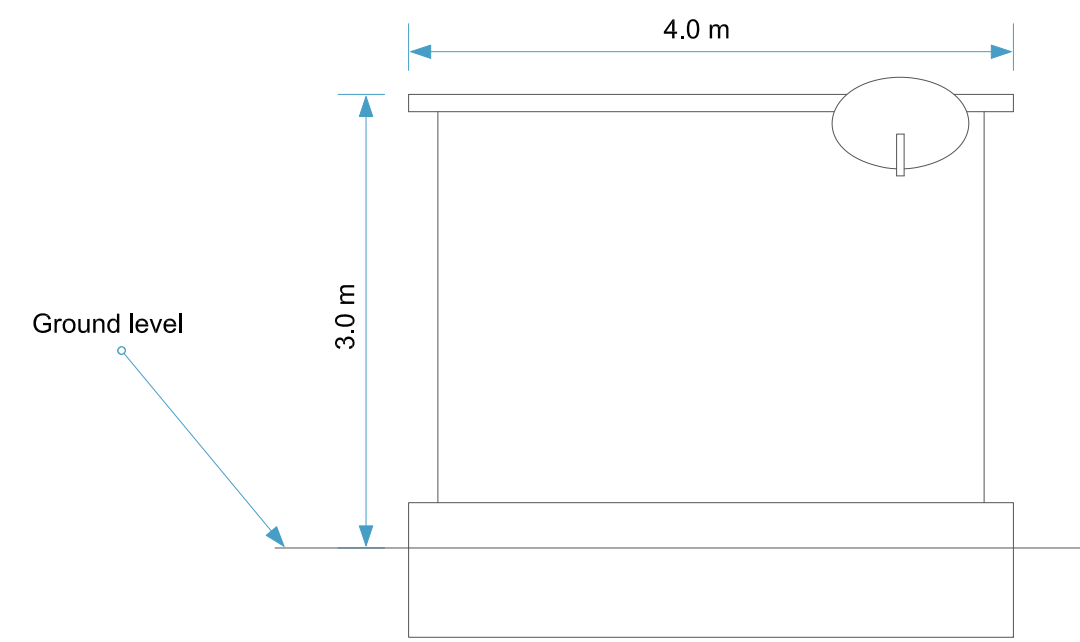
Revision	Date	Revision Notes	Drawn	Inspected
01	23.07.20	First Issue	HN	IL
02	10.08.20	Revised	HN	IL

NOTES:

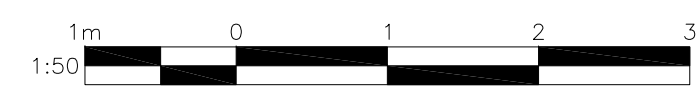
NB: Customer Substation dimensions will vary, dependant on manufacturers selected at the detailed design stage. Measurements are indicative only.



Front Elevation



Side Elevation



Status: **FOR PLANNING**



13 Berkeley Street, London W1U 8DU  
 Tel: +44(0)207 4090700  
 enquiries@lowcarbon.com www.lowcarbon.com

Drawing Title:  
**Customer Substation Elevations and Dimensions Plan**

Drawn: HN	Checked: IL	First Issued: 23.07.2020
Project Code: <b>LCS-</b>	Drawing Number: <b>SD-02</b>	
Sheet Size: <b>A3</b>	Scale: <b>1:50</b>	Revision: <b>02</b>