



Ministry
of Defence

Defence Equipment and Support
Secretariat
#2043 Maple 0a
Ministry of Defence
Abbey Wood
Bristol BS34 8JH



Email: DES SEC-PolSec LE-JSC-WPNS@mod.uk

[Redacted]
email: [Redacted]

Our Reference:
FOI2022/10617
Date:
26 October 2022

Dear [Redacted]

Thank you for your email of 10 September 2022, requesting the following information:

Please supply the following AESP files for the Bedford MJ. These will be displayed on a website for owners of ex military vehicles to keep their vehicles out of the scrap yards.

2320-H-100-721	<i>Commercial Parts List</i>
2320-H-100-731	<i>Complete Equipment Schedule, Production</i>
2320-H-100-741	<i>Complete Equipment Schedule, Service edition</i>
2320-H-100-751	<i>Complete Equipment Schedule, Service edition (Complex Edition)</i>
2320-H-100-811	<i>Modification Instructions</i>
2320-H-100-821	<i>General Instructions - Modifications</i>
2815-K-062-512	<i>Engine Diesel 6 Cyl Bedford 5.4 Lite Turbocharged</i>

I am treating your correspondence as a request for information under the Freedom of Information Act 2000 (FOI Act).

A search for the information has now been completed within the Ministry of Defence (MOD), and I can confirm that information in scope of your request is held. This is attached, as follows:

- Annex A – AESP 2320-H-100-721 (redacted)
- Annex B – AESP 2320-H-100-741
- Annex C – AESP 2320-H-100-811 (redacted)
- Annex D – AESP 2320-H-100-821 (redacted)
- Annex E – AESP 2815-K-062-512 (redacted)

It has proved necessary to withhold some information in accordance with qualified exemptions of the FOI Act. Some of the Commercial Parts List related to classified equipment or upgrades has been redacted in accordance with Sections 26(1) (a) and (b) (Defence) and Section 38(1) (a) and (b) (Health and Safety). Section 26 applies to

Defence Equipment & Support

information that if disclosed would or would likely; prejudice the defence of the British Islands or any colony; and/or the capability, effectiveness or security of the Armed Forces of the Crown or any forces cooperating with them. Section 38 applies to information that if disclosed would or would likely; endanger the physical or mental health of any individual; or endanger the safety of any individual.

I must also advise you that some of the information within Annexes A, C, D and E falls entirely within the scope of the absolute exemption provided for at Section 40 (Personal Information) of the Freedom of Information Act and has been redacted. Section 40(2) has been applied in order to protect personal information as governed by the General Data Protection Regulations (GDPR). Section 40 is an absolute exemption and there is no requirement to consider the public interest in deciding to withhold the information

Under Section 16 (Advice and Assistance) of the FOI Act, I can confirm that the MOD does not hold copies of the following publications and has no record of them being issued:

- AESP 2320-H-100-731
- AESP 2320-H-100-751

If you have any queries regarding the content of this letter, please contact this office in the first instance. If you wish to complain about the handling of your request, or the content of this response, you can request an independent internal review by contacting the Information Rights Compliance team, Ground Floor, MOD Main Building, Whitehall, SW1A 2HB (e-mail CIO-FOI-IR@mod.gov.uk). Please note that any request for an internal review should be made within 40 working days of the date of this response.

If you remain dissatisfied following an internal review, you may raise your complaint directly to the Information Commissioner under the provisions of Section 50 of the Freedom of Information Act. Please note that the Information Commissioner will not normally investigate your case until the MOD internal review process has been completed. The Information Commissioner can be contacted at: Information Commissioner's Office, Wycliffe House, Water Lane, Wilmslow, Cheshire, SK9 5AF. Further details of the role and powers of the Information Commissioner can be found on the Commissioner's website at <https://ico.org.uk/>.

Yours sincerely,

DES SEC Pol Sec



**FOR OFFICIAL USE ONLY
CROWN COPYRIGHT RESERVED**

CONDITIONS OF RELEASE

- 1 ~~This information is released by the UK Government for Defence purposes only.~~
- 2 ~~This information must be accorded the same degree of security protection as that accorded thereto by the UK Government.~~
- 3 ~~This information may be disclosed only within the Defence Department of the recipient Government, except as otherwise authorized by the Ministry of Defence (Army).~~
- 4 ~~This information may be subject to privately owned rights.~~

TRUCK, 4 TONNE, BEDFORD MJ - ALL VARIANTS

REPRINTED INCORPORATING AMDTS 1-2

COMMERCIAL PARTS LIST

BY COMMAND OF THE DEFENCE COUNCIL



Ministry of Defence
Issued by
**ARMY TECHNICAL SUPPORT AGENCY
DIRECTORATE OF TECHNICAL SERVICES**

AMENDMENT RECORD

Amdt No.	Incorporated By (Signature)	Date
1	[REDACTED]	2/5/00
2	[REDACTED]	2/11/00
3		
4		
5		
6		
7		
8		
9		
10		
11		
12		
13		
14		
15		
16		
17		
18		
19		
20		
21		
22		
23		
24		
25		
26		
27		
28		
29		
30		
31		

Amdt No.	Incorporated By (Signature)	Date
32		
33		
34		
35		
36		
37		
38		
39		
40		
41		
42		
43		
44		
45		
46		
47		
48		
49		
50		
51		
52		
53		
54		
55		
56		
57		
58		
59		
60		
61		
62		

CONTENTS

PRELIMINARY MATERIAL	Page
Front cover (title page)	(i)/(ii)
Conditions of release	(i)/(ii)
Amendment record	(iii)/(iv)
Contents (this list)	(v)
Preface	(vi)
Additional information	(vi)
Related and associated publications	(vi)
List of abbreviations and symbols	(viii)
Comments on AESP (Form 10)	(Penultimate leaf)
AESP Customer registration form	(Final leaf)
Table 1 Categories and Information Levels	
Table 2 Equipment Identity	
Chapters	
1-1	Guide to model identification when using microfiche PS 182 commercial parts list
1-2	Commercial parts list (microfiche PS 182) for the Truck, 4 Tonne, Bedford MJ - all variants
1-3	List of additional and alternative spares not included in microfiche PS 182
1-4	Winch parts list
1-5	Atlas Loading Crane parts list
1-6	Winterisation parts list
1-7	Body parts list
Annex	
A.	A cross-reference list to commercial parts lists contained in text.

PREFACE

Sponsor : LSOR 3
Publication Agency : Army Technical Support Agency

Introduction

1 Any comments by service users on this publication should be forwarded through the channels prescribed in AESP 0100-P-011-013. An AESP Form 10 is provided at the end of this publication; it should be photocopied and used for forwarding comments on this AESP.

2 AESPs are issued under Defence Council authority and where AESPs specify action to be taken, the AESP will of itself be sufficient authority for such action and also for the demanding of the necessary stores, subject to the provisions of Para 3 below.

3 The subject matter of this publication may be affected by Defence Council Instructions (DCIs), Standing Operating Procedures (SOPs) or by local regulations. When any such Instruction, Order or regulation contradicts any portion of this publication it is to be taken as the overriding authority.

RELATED AND ASSOCIATED PUBLICATIONS

Related publications

4 The octad for the subject equipment consists of the publications shown in Table 1. All references are prefixed with the first eight digits of this publication. The availability of the publications can be checked by reference to the relevant Group Index (see AESP 0100-A-001-013).

Equipment identity

5 This publication covers the following :-

- | | | |
|-----|-------------------|-------------|
| 5.1 | Contract: | See Table 2 |
| 5.2 | Catalogue Number: | See Table 2 |

Associated publications

6	<u>Reference</u>		<u>Title</u>
	AESP	2320-L-108-721	TRUCK, TACTICAL AIRCRAFT REFUELLER, 1000 GALLON, MK5B
	ARMY CODE	61481	FUEL SERVICING EQUIPMENT, AIRCRAFT, 1000 GALLS
	CES	31496	COMPLETE EQUIPMENT SCHEDULE OF TRUCK CARGO 4 TONNE 4X4 W/TURBO CHARGED ENGINE (VARIANTS)

TABLE 1 CATEGORIES AND INFORMATION LEVELS

Category/Sub-category		Information Level				
		1 User/operator	2 Unit Maintenance	3 Field Maintenance	4 Base Maintenance	
1	0	Purpose and Planning Information	101	*	*	*
	1	Equipment Support Policy Directives	*	*	*	*
	2	Purpose and Planning Information, Medical and Dental	*	*	*	*
2	0	Operating Information	201	201	201	201
	1	Aide Memoire	*	*	*	*
	2	Training Aids	*	*	*	*
3		Technical Description	*	302	302	302
4	1	Installation Instructions	411	*	*	*
	2	Preparation for Special Environments	421	*	*	*
5	1	Failure Diagnosis	*	512	512	512
	2	Repair Instructions	*	522	523	523
	3	Inspection Standards	*	532	533	533
	4	Calibration Procedures	*	*	*	*
6		Maintenance Schedules	601	601	601	601
7	1	Illustrated Parts Catalogues	711	711	711	711
	2	Commercial Parts Lists	721	721	721	721
	3	Complete Equipment Schedule, Production Edition	*	*	*	*
	4	Complete Equipment Schedule, Service Edition (Simple Equipment)	*	*	*	*
	5	Complete Equipment Schedule, Service Edition (Complex Equipment)	*	*	*	*
8	1	Modification Instructions	811	811	811	811
	2	General Instructions, Special Technical Instructions and Servicing Instructions	821	821	821	821
	3	Service Engineered Modification Instructions (RAF only)	*	*	*	*

* Category/Sub-category not published

LIST OF ABBREVIATIONS AND SYMBOLS

ABBREVIATIONS

7 The following abbreviations are listed and included at the discretion of the publication authority.

A	Ampere	H	Height (High)
AC	Alternating Current	HD	Head
A/F	Across Flats	HEX	Hexagon
AH	Ampere Hour	HT	High Tension
ANC	American National Coarse Thread		
ANF	American National Fine Thread	ID	Internal Diameter
ANP	American National Pipe Thread	IN.	Inch(es)
ANPT	American National Pipe Taper Thread	INT	internal
AR	As Required	IPC	Illustrated Parts Catalogue
ASSY	Assembly		
		KPH	Kilometres Per Hour
BA	British Association Screw Thread		
BC	Bayonet Cap	LG	Length (Long)
BSF	British Standard Fine Thread	LH	Left Hand
BSP	British Standard Pipe Thread	LHD	Left Hand Drive
BSPP	British Standard Pipe Parallel Thread	LM	Local Manufacture
BSPT	British Standard Pipe Taper Thread		
BSW	British Standard Whitworth	M	Metre
		MAX	Maximum
C	Celsius (centigrade)	MCC	Miniature Centre Contact
CC	Cubic Centimetre(s)	MES	Miniature Edison Screw
C TO C	Centre to Centre	MIN	Minimum/Minute
CH	Chassis/Cheese	MK	Mark
CI	Cast Iron	MM	Millimeter
CIRC	Circumference	MPH	Miles Per Hour
CONT	Continued	MTD	Mounted
CRES	Corrosion Resistant Steel	MTG	Mounting
C/S	Cycles Per Second	MTL	Material
CSK	Countersunk		
CTS	Contracts	NEG	Negative
CU	Copper	NI	Not Illustrated
CU IN.	Cubic Inch(s)	NO.	Number(s)
C/W	Complete With	NP	Non-Provisioned
DC	Direct Current	O/A	Overall
DEG	Degree(s)	OD	Outside diameter
DIA	Diameter		
DIM	Dimension(s)	PI	Plated
DPDT	Double Pole, Double Throw	POS	Positive
DPST	Double Pole, Single Throw	PSI	Pounds Per Square Inch
		PTFE	Polytetrafluoroethylene
ENG	Engine	PVC	Polyvinyl Chloride
EXT	External		
		QTY	Quantity
F	Fahrenheit		
FT	Foot (feet)	RAF	Royal Air Force
		REF	Reference
GAL	Gallon	REV/MIN	Revolution Per Minute
GALV	Galvanised	RD HD	Round Head
GM	Gramme	RH	Right Hand

RHD	Right Hand Drive
SBC	Single Bayonet Cap
SCC	Single Centre Contact
SECT	Section
SI	Systeme International (thread)
SPDT	Single Pole, Double Throw
SPST	Single Pole, Single Throw
SQ	Square
STD	Standard
SWL	Safe Working Load
SYN	Synthetic
TEMP	Temperature
THD	Thread(ed)
THK	Thick(ness)
TPI	Threads Per Inch
UNC	Unified Coarse Thread
UNF	Unified Fine Thread
UNS	Unified Special Thread
U/O	Used On
U/W	Used With
V	Volt(s)
VEH	Vehicle(s)
W	Watt/Width
W/	With
W/O	Without
WHIT	Whitworth
ZN	Zinc

Table 2 Equipment Identity

SER. NO.	CHASSIS CONTRACT	RELATED BODY CONTRACT	NOMENCLATURE	NSN	ASSET CODE
1	FVE21B/234 item 1	FVE21A/259 item 2	TRUCK, CARGO, 4 tonne, 4x4, w/hydraulic tail lift, turbo charged engine, BEDFORD MJ2BMO, RHD	2320-99-893-6144	2022-3101
2	FVE21B/234 item 2	FVE21A/259 item 2	TRUCK, CARGO, 4 tonne, 4x4, w/hydraulic tail lift, turbo charged engine, BEDFORD MJP2BMO, RHD	2320-99-893-6144	2022-3101
3	FVE21B/234 item 3	FVE21A/259 item 3	TRUCK, FLAT PLATFORM, 4 tonne, 4x4, turbo charged engine, BEDFORD MJP2BMO, RHD	2320-99-893-6137	2091-3100
4	FVE21B/234 item 4	FVE21A/259 item 6	TRUCK, CARGO, 4 tonne, 4x4, turbo charged engine, BEDFORD MJP2BMO, RHD	2320-99-893-5954	2025-3100
5	FVE21B/234 item 5	FVE21A/259 item 3	TRUCK, FLAT PLATFORM, 4 tonne, 4x4, turbo charged engine, BEDFORD MJP2BMO, RHD	2320-99-893-6137	2091-3100
6	FVE21B/234 item 6	FVE21A/259 item 3	TRUCK, FLAT PLATFORM, 4 tonne, 4x4, turbo charged engine, BEDFORD MJP2BMO, RHD	2320-99-893-6137	2091-3100
7	FVE21B/234 item 7	FVE21A/259 item 7	TRUCK, CARGO, 4 tonne, 4x4, turbo charged engine, BEDFORD MJP2BMO, LHD	2320-99-893-6142	2025-8100
8	FVE21B/234 item 8	FVE21A/259 item 11	TRUCK, FLAT PLATFORM, 4 tonne, 4x4, turbo charged engine, BEDFORD MJP2BMO, LHD	2320-99-893-6138	2091-8100
9	FVE21B/234 item 9	NYK	TRUCK, FUEL SERVICING, AIRCRAFT, 4 tonne, 4x4, 4500 litres, turbo charged engine, BEDFORD MJP2BMO, RHD	2320-99-893-6139	2165-3100
10	FVE21B/234 item 10	FVE22A/212	TRUCK, FUEL SERVICING, AIRCRAFT, 4 tonne, 4x4, 1000 gal, D/P, tactical, air transportable, MK5, turbo charged engine, BEDFORD MJP2BMO, LHD	2320-99-893-6145	2165-8100
11	FVE21B/234 item 12	FVE21A/259 item 4	TRUCK, CARGO, w/3 tonne crane, 4 tonne, 4x4, armament support, turbo charged engine, BEDFORD MJP2BMO, RHD	2320-99-893-6146	2038-3100
12	FVE21B/234 item 13	FVE21A/259 item 8	TRUCK, CARGO, w/3 tonne crane, 4 tonne, 4x4, armament support, turbo charged engine, BEDFORD MJP2BMO, LHD	2320-99-893-6147	2038-8100
13	FVE21B/234 item 14	FVE21A/259 item 9	TRUCK, CARGO, w/3 tonne crane, 4 tonne, 4x4, APFC, turbo charged engine, BEDFORD MJP2BMO, LHD	2320-99-893-6148	2039-3100
14	FVE21B/234 item 15	FVE21A/259 item 5	TRUCK, CARGO, w/winch, 4 tonne, 4x4, turbo charged engine, BEDFORD MJP2BMO, RHD	2320-99-893-6141	2050-3100

Table 2 Equipment Identity
Continued

15	FVE21B/234 item 16	FVE21A/259 item 6	TRUCK, CARGO, 4 tonne, 4x4, turbo charged engine, BEDFORD MJP2BMO, RHD	2320-99-893-5954	2025-3100
16	FVE21B/234 item 17	FVE21A/259 item 5	TRUCK, CARGO, w/winch, 4 tonne, 4x4, turbo charged engine, BEDFORD MJP2BMO, RHD	2320-99-893-6141	2050-3100
17	FVE21B/234 item 18	FVE21A/259 item 7	TRUCK, CARGO, 4 tonne, 4x4, turbo charged engine, BEDFORD MJP2BMO, LHD	2320-99-893-6142	2025-8100
18	FVE21B/234 item 19	FVE21A/259 item 10	TRUCK, CARGO, w/winch, 4 tonne, 4x4, turbo charged engine, BEDFORD MJP2BMO, LHD	2320-99-893-6143	2050-8100
19	FVE21B/234 item 20	FVE21A/259 item 12	TRUCK, CARGO, 4 tonne, 4x4, turbo charged engine, BEDFORD MJP2BMO, RHD	2320-99-893-5954	2025-3100
20	FVE21B/234 item 21	FVE21A/259 item 15	TRUCK, CARGO, w/3 tonne crane, 4 tonne, 4x4, armament support, turbo charged engine, BEDFORD MJP2BMO, RHD	2320-99-893-6146	2038-3100
21	FVE21B/234 item 22	FVE21A/259 item 14	TRUCK, CARGO, w/3 tonne crane, 4 tonne, 4x4, APFC, turbo charged engine, BEDFORD MJP2BMO, RHD	2320-99-893-6148	2039-3100
22	FVE21B/234 item 23	FVE21A/259 item 16	TRUCK, CARGO, w/winch, 4 tonne, 4x4, turbo charged engine, BEDFORD MJP2BMO, RHD	2320-99-893-6141	2050-3100
23	FVE22A/208 item 1	FVE21A/259 item 17	TRUCK, CARGO, 4 tonne, 4x4, turbo charged engine, BEDFORD MJP2BMO, RHD	2320-99-893-5954	2025-3100
24	FVE22A/208 item 2	FVE21A/259 item 18	TRUCK, CARGO, w/winch, 4 tonne, 4x4, turbo charged engine, BEDFORD MJP2BMO, RHD	2320-99-893-6141	2050-3100
25	FVE22A/208 item 4	FVE21A/259 item 21	TRUCK, CARGO, w/winch, 4 tonne, 4x4, turbo charged engine, BEDFORD MJP2BMO, LHD	2320-99-893-6143	2050-8100
26	FVE22A/208 item 5	FVE21A/259 item 22	TRUCK, CARGO, 4 tonne, 4x4, turbo charged engine, BEDFORD MJP2BMO, RHD	2320-99-893-5954	2025-3100
27	FVE22A/208 item 6	FVE21A/259 item 24	TRUCK, CARGO, w/3 tonne crane, 4 tonne, 4x4, armament support, turbo charged engine, BEDFORD MJP2BMO, RHD	2320-99-893-6146	2038-3100
28	FVE22A/208 item 7	FVE21A/259 item 23	TRUCK, CARGO, w/3 tonne crane, 4 tonne, 4x4, armament support, turbo charged engine, BEDFORD MJP2BMO, LHD	2320-99-893-6147	2038-8100
29	FVE22A/208 item 9	FVE22A/212 item 1	TRUCK, FUEL SERVICING, AIRCRAFT, 4 tonne, 4x4, 1000 gal, D/P, tactical, air transportable, MK5A, turbo charged engine, BEDFORD MJP2BMO, RHD	2320-99-893-6440	2165-3101
30	FVE22A/208 item 10	FVE21A/299 item 2	TRUCK, CARGO, 4 tonne, 4x4, turbo charged engine, BEDFORD MJP2BMO, RHD	2320-99-893-5954	2025-3100
31	FVE22A/208 item 11	FVE21A/299 item 3	TRUCK, CARGO, 4 tonne, 4x4, turbo charged engine, BEDFORD MJP2BMO, RHD	2320-99-893-5954	2025-3100
32	FVE22A/208 item 12	FVE21A/299 item 5	TRUCK, CARGO, 4 tonne, 4x4, automatic gearbox, turbo charged engine, BEDFORD MJP2BMO, RHD	2320-99-893-6643	2025-3101
33	FVE22A/208 item 13	FVE21A/299 item 6	TRUCK, CARGO, 4 tonne, 4x4, automatic gearbox, turbo charged engine, BEDFORD MJP2BMO, LHD	2320-99-893-6644	2025-8101

Table 2 Equipment Identity
Continued

34	FVE22A/239 item 1	FVE21A/299 item 4	TRUCK, CARGO, w/winch, 4 tonne, 4x4, turbo charged engine, BEDFORD MJP2WMO, RHD	2320-99-893-6141	2050- 3100
35	FVE22A/295 item 3	FVE21A/386	TRUCK, FLAT PLATFORM, w/winch, 4 tonne, 3 seater cab, 4x4, turbo charged engine, BEDFORD MJP2WMO, LHD	2320-99-893-6921	2095- 8101
36	ABRO/A2/18 67	ABRO/1A2/1 867	TRUCK, TACTICAL AIRCRAFT REFUELLER, 1000 gallon, Mk 5B, BEDFORD MJ Chassis and MT type cab, RHD	2320-99-893-9561	2165- 3102
37	ABRO/A2/18 67	ABRO/1A2/1 867	TRUCK, TACTICAL AIRCRAFT REFUELLER, 1000 gallon, Mk 5B, BEDFORD MJ Chassis and MT type cab, LHD	2320-99-893-9562	2165- 8102

CHAPTER 1-1

**Guide to model identification when using
microfiche PS 182 commercial parts list for the**

**TRUCK, 4 TONNE, BEDFORD MJ –
ALL VARIANTS**

MODEL IDENTIFICATION

The Models covered by this catalogue are as follows:

<u>Model</u>	<u>Chassis Type</u>	<u>Wheelbase</u>	<u>GVW</u>	<u>Engine</u>
MFR1	Forward Control 4x4 Rigid	3,506 mm (138")	11,177 Kg	300 cu in petrol
MJR1	Forward Control 4x4 Rigid	3,506 mm (138")	11,177 Kg	330 cu in diesel
MFR2	Forward Control 4x4 Rigid	3,962 mm (156")	11,177 Kg	300 cu in petrol
MJR2	Forward Control 4x4 Rigid	3,962 mm (156")	11,177 Kg	330 cu in diesel
MJP	Forward Control 4x4 Rigid	3,962 mm (156")	9,652 Kg	330 cu in diesel
MKP	Forward Control 4x4 Rigid	3,962 mm (156")	9,652 Kg	330 cu in multi-fuel

MJR, MFR (Civilian)
MJP, MKP (Military)

The Service Plate is attached to the Chassis Frame or to the Passenger Door Aperture and shows information as follows:

Top line	Vehicle identification number, destination, factory job number
Second line	Production option codes
Subsequent lines	Continuation of production option codes, SVOS numbers , VXO and contract numbers where applicable

VEHICLE IDENTIFICATION NUMBER

This number consists of fifteen characters and is featured on the SP1 plate. Below is a detailed explanation when applied to the models covered by this catalogue.

1 st Character	Indicates chassis type M Forward Control 4x4 Rigid
2 nd Character	Denotes engine type and size F 300 cu in petrol J 330 cu in diesel K 330 cu in multi-fuel
3 rd Character	Indicates gross vehicle weight P 9,652 Kg R 11,177 Kg
5 th Character	Denotes standard fitting gearbox / rear axle combination B 4 speed gearbox / single speed axle W 4 speed gearbox with winch / single speed axle
6 th & 7 th Characters	Together denote cab type CO Civilian Cab MO Military Cab ZO Cowl MP Replacement Military Cab
8 th & 9 th Characters	Together represent model, year and manufacturing plant and listed below are the combinations affecting this catalogue: 1971 1T 1977 GW 1983 DT 1989 KT 1972 2T 1978 HW 1984 ET 1990 LT 1973 3T (CW) 1979 JW 1985 FT 1991 MT 1974 DW 1980 KW 1986 GT 1975 EW 1981 LW 1987 HT 1976 FW 1982 CT 1988 JT
10 th to 15 th Characters	These are the Chassis Number

FACTORY CONVERSIONS

Factory conversions may be made to a vehicle. **S.V.O.S. numbers**, which will be included on the **SP1 plate**, cover these. An **S.C.O. (special conversion order)** number will cover certain combinations of S.V.O.S. numbers fitted to the same vehicle. This number will be shown on the SP1 plate, if applicable. When ordering parts for vehicles affected by factory conversions it is essential that reference be first made to the S.V.O.S. supplement included in this catalogue.

PRODUCTION OPTIONS

Various options are available with the production of the vehicles covered by this parts list. For your guidance we give below a cross-reference between the code number (as stamped on the SP1 plate) and the description of the option.

Code No.	Option
10	Delete spare tyre
33	Speedometer, kph, RHD
34	Speedometer, mph, LHD
41	Heavy duty air cleaner
44	Tachograph (Smiths) mph
45	Tachograph (Smiths) kph
46	Tachograph (Lucas) mph
47	Tachograph (Kienzle) kph
54	E.E.C. compliance label
57	Trailer emergency hand control brake
59	Fire extinguisher
61	Tachograph exemption
70	Heater
75	Tachograph (Smiths) E.E.C. regulations
76	Tachograph (Kienzle) E.E.C. regulations
77	From CH.ET105223 steering column lock & electric stop control
81	Power take-off (rear)
82	Increased engine cooling
89	Fuel tank (Bedford manufacture)
93	Halogen headlamps
98	Delete battery
100	Short mounting plate for tail lamps
116	Battery – low maintenance
130	Graded steel reservoirs
137	M.O.S. inscription plate
138	M.O.S. front and rear number plates
156	Dry charged battery
159	Vehicle identification plate – E.E.C. territories
183	Dual rear wheel equipment
187	Air pressure gauge in bars
192	Special requirements for Sweden
201	Australian requirement
210	Laminated windscreen
218	Passenger static seat belt
222	E.E.C. braking requirements
234	Low blow turbocharged engine
238	Thermal sensing viscous fan drive
246	Crankshaft vibration damper
248	Heavy duty battery
268	Deletion of dim/dip headlamps
269	Oil cooled transfer box
272	Roof platform (MKP)
309	Tachograph, Veeder Root
319	Anti-spill fuel tanks

Code No.	Option
322	Unified European headlamps – except France
327	Airportability role
330	Unified European headlamps – France only
336	Gunner's platform (MKP)
341	Close ratio four speed gearbox
342	Special requirements – U.K.
354	Power assisted steering
359	Up to CH.ET105222 steering column lock & electric stop control From CH.ET105223 steering column lock & manual stop control
373	Brake anti-freeze equipment
380	Single rear wheel equipment
387	9.00 x 20 radial cross country tyre
388	12.00 x 20 radial non directional tyre
393	Reverse lamps
403	Electric Kienzle tachograph
404	Electric Veeder Root tachograph
406	Automatic (electronic) Kienzle Tachograph E.E.C. regulations
413	Tachograph installation
414	Winch installation
428	Idling control
429	Heavy duty fuel filters
439	Tachometer (MJR)
484	Anti-freeze (government vehicles)
485	Exhaust brake
488	Low temperature starter
515	M.O.D. contracts (domestic)
547	Four-way flashers
567	Interior rear view mirror
568	NATO green infra-red paint
582	Driver's seat belt with warning lamp
583	Inertia reel passenger seat belt
584	Inertia reel driver seat belt
594	Low temperature starting – self contained
595	Low temperature starting – external aids
601	Special requirements – France / Switzerland
604	Power take-off (front)
607	Load sensing valve
610	Battery condition indicator
611	Tachograph
665	Supplementary release spring brake
773	Rear fog guard lamps
793	Driver's seat suspension

SPECIAL VEHICLE ORDER SPECIFICATION (S.V.O.S.)

<u>SVOS</u> <u>No.</u>	<u>DESCRIPTION</u>	<u>MODEL</u>
8101	Up to 1986 – fitment of metal engine protection cover From 1988 – underseal cab (no replacement parts serviced)	MKP MJR2
8103	Double pole wiring (fuel pod carrier)	MJP2
8104	Double pole wiring (1000 gallon fuel tanker)	MJP
8106	Fit batteries with fully insulated covers	MJP
8107	Fit additional isolating switch on frame with lockable cover	MJP
8110	Fit gunner's platform	MJR2
8111	Fit Euro headlamps	MFR2
8113	Fit 5-pin electrical trailer plug and socket to rear of vehicle	MOR
8114	Fit rear cab blanking plate in lieu of glass	MOP
8124	Fit 24 volt electrical equipment	MJR
8130	Double pole wiring (fuel pod carrier)	MKP
8131	Fit battery with fully insulated cover	MKP
8132	Up to 1984 – fit additional isolating switch on frame with lockable cover From 1986 – fit special batteries in lieu of standard	MKP MJP
8137	Fit deep bronze green emblem	MOR
8138	Delete front fender extension rear and engine cover lower panel (no replacement parts serviced)	MJP
8141	Fit replacement cab	MJP
8143	Towed Rapier F.F.R. specification	MJP2WNO
8144	Fit cab roof reinforcement	MJP
8147	Fit additional 2-pin socket on rear cross member	MJP
8150	Fit 24 volt electrical equipment	MJR
8151	Fit convoy lamp and marker disc	MOR
8152	Fit chassis cab for light recovery vehicle	MJP2
8157	Fit dual passenger seat and belts	MJP
8163	Supply and fit reflective registration parts (no replacement parts serviced)	All models
8168	Fit MJP2 roof panel	MJR2
8169	Fit MJP2 roof panel	MJR2
8172	Fit 2- and 12-pin trailer electrical sockets at rear of vehicle	MOR
8180	Fit blackout headlamps	MJP2SMO
8193	Fit dry powder fire extinguisher	All models
8194	Fit floodlamps on cab roof (with double pole wiring)	MJP2
8195	Fit floodlamps on cab roof (with single pole wiring)	MJP2
8204	Fit flich plates (details to follow)	MOR2
8205	Fit flich plates to frame for C.K.D. (details to follow)	MOR2, MOP2
8208	Fit MKP body mounting brackets	MFR2
8213	Fit extended chassis	MJP
8215	Fit extended chassis	MJP2
8220	Fit heavy duty transfer box	MJR
8225	Fit roof platform and gunner's platform	MOR
8236	Fitment of long flich plates	MKP, MOR
8246	Scuff sidemembers prior paint application (no replacement parts serviced)	MOR
8248	Fit long flich plates	MOR2, MOP2
8307	Fit heavy duty springs for light recovery vehicle	MJP
8336	Fit special 6/35 ratio rear axle	MJR
8337	Fit special 6/35 ratio rear axle	MJR
8344	Fit no spin differential unit in rear axle	MJP2, MJR2
8346	Fit ram type powered steering	All models
8378	Fit heavy duty springs for light recovery vehicle	MOP
8383	Free wheel hubs fitted to front axle (details to follow)	-
8401	Fit military type rear tow hook	MOR
8404	Paint vehicle in dark sand (no replacement parts serviced)	MOR2, MOP2
8408	Paint interior and exterior of cab Libyan sand (no replacement parts serviced)	MJR2

SVOS No.	DESCRIPTION	MODEL
8410	Paint complete vehicle dark green (no replacement parts serviced)	MJP2
8413	Paint cab cargo yellow (no replacement parts serviced)	MOR
8415	Fit military hooks	MJR2
8416	Paint wheels (no replacement parts serviced)	MOR
8417	Paint engine cover royal blue (no replacement parts serviced)	MOR
8422	Paint vehicle Plessey beige (no replacement parts serviced)	MJP2
8423	Supply and fit turbo warning and cold start instruction labels	MJP2
8425	Paint mirrors and arms (no replacement parts serviced)	MFR
8433	Delete Libyan Sand hip ring cover (details to follow)	MOP
8434	Paint vehicle in grey (no replacement parts serviced)	MOP
8435	Paint vehicle in Libyan sand (no replacement parts serviced)	All models
8437	Paint vehicle dark green (no replacement parts serviced)	MJP
8438	Paint cab bright red (no replacement parts serviced)	MJP
8440	Paint cab seismograph blue (no replacement parts serviced)	All models
8441	Paint cab Bedford beige (no replacement parts serviced)	MJP2
8442	Fit military front bumper in lieu of standard	MJR
8443	Paint vehicle deep bronze green (no replacement parts serviced)	MOR
8444	Fit shatterproof rear driving mirrors	All models
8446	Paint vehicle in olive drab (no replacement parts serviced)	MJP
8447	Paint vehicle olive drab (no replacement parts serviced)	All models
8451	Paint cab dark green (no replacement parts serviced)	MJR
8452	Paint cab dark green (no replacement parts serviced)	MJR
8454	Paint vehicle dark green (no replacement parts serviced)	MJR
8459	Paint vehicle with NATO green infra-red reflective paint	MOR
8461	Fit yellow side reflex reflectors	MOR
8462	Make provision for hydraulic loader crane (Army spec)	MOP
8463	Make provision for hydraulic loader crane (RAF spec)	MOP
8466	Paint cab deep bronze green (no replacement parts serviced)	MOR
8467	Paint cab royal blue (no replacement parts serviced)	MOR
8470	Paint cab royal blue (no replacement parts serviced)	MOR
8471	Paint cab in royal blue (no replacement parts serviced)	MOR
8474	Paint vehicle royal blue (no replacement parts serviced)	MOR
8475	Paint engine cover deep bronze green (no replacement parts serviced)	MOR
8476	Paint engine cover NATO green (no replacement parts serviced)	MOR
8483	Addition of tyre inflator equipment (details to follow)	MOR1
8484	Fit military style front and rear towing hooks	MOR
8496	Paint cab grey sea mist (no replacement parts serviced)	MOR
8501	Reposition fuel tank	MJP2
8502	Additional trailer brake connections to front of vehicle	MJP
8528	2-line trailer braking (details to follow)	MJR2
8544	Up to CH.HT199999 – fit 50 gallon fuel tank From CH.JT100001 – improved handbrake on M.D.D. light recovery vehicle	MOR2, MJP MJP2
8552	2-line trailer braking (details to follow)	MJR2
8555	Fit exhaust brake (details to follow)	MJR1
8557	Fit 2-line trailer brakes	MJR2
8579	2-line trailer braking (with SVOS 8784) (details to follow)	MJR2
8602	Fit 46 gallon fuel tank	MOR2, MJP
8603	Provide exhaust brake (CHJT100001-) (details to follow)	MJR2
8610	Fit front exit exhaust system	MJP
8615	Fit no loss cooling system (details to follow)	MJR2
8630	Fit 50 gallon fuel tank in lieu of standard	MOR2, MJP2BMO
8635	Fit lockable and extended fuel tap	MKP
8641	Fit heavy duty transfer box with front exit P.T.O. (details to follow)	MJR
8646	Fit no loss cooling system (details to follow)	MJR2
8649	Fit heavy-duty transfer box with rear exit P.T.O.	MJR

SVOS No.	DESCRIPTION	MODEL
8650	Fit 46 gallon fuel tank	MOR2, MJP2
8651	Fit 154 litre (34 gallon) fuel tank	MJR1
8653	Fit military air cleaner	MJR
8665	Fit 5-speed direct drive gearbox (with SVOS 8783)	MJR
8675	Fit military type air cleaner	MJR
8685	Fit vertical exhaust system (with SVOS 8717, 8630) (details to follow)	MJP2
8687	Fit 50 gallon fuel tank	MOR2
8693	Fit modified exhaust system	MJP
8699	Fit 50 gallon fuel tank	MOR2
8705	Fit special 330 cu. in. medium blow engine	MJR
8706	Turkish Army specification	MJP2
8716	Special requirements for the Zimbabwe Army	MJR2
8717	Abu Dhabi Defence Force specification	MJP2
8724	Fit special 330 cu. in. diesel engine for Transtech International	MJR
8725	Fit 135 hp engine (details to follow)	MJR
8731	Fit 135 hp engine and 5-speed gearbox (details to follow)	MJR
8738	Pre-delivery check (no GMSPO action)	All models
8747	Indonesian specification	MJP2
8751	Fit 300 cu. in. petrol engine in lieu of multi-fuel engine	MKP
8752	Fit 330 cu. in. petrol engine in lieu of multi-fuel engine	MKP
8759	Shorten and strengthen chassis to 138" W.B. tipper specifications	MJP2
8778	Malawi Army specification (details to follow)	MJR2
8783	Fit derated 500 cu. in. diesel engine up to eng. 7399999 Fit derated 8.2 litre diesel engine from eng. 7400001	MKP, MJR MKP, MJR
8784	Fit derated 500 cu. in. diesel engine for Muscat Defence Force	MJR2
8794	Fit increased engine cooling	MJR
8797	Zimbabwe Army specification	MJR
8801	Treat road wheels with rim lubricant (no replacement parts serviced)	All models
8802	Delete spare wheel and tyre (no replacement parts serviced)	MOR
8807	Fit 12.00R x 20 Michelin "XZY" tyres (details to follow)	MOR
8812	Fit special tyres (no replacement parts serviced)	MOR
8815	Fit 9.00 x 20 Michelin "XZY" tyres (no replacement parts serviced)	MOR
8816	Fit 13R 20 Michelin Pilote XL tyres (details to follow)	MJR
8817	Fit 12.00 x 20 Michelin XR tyres (no replacement parts serviced)	MOR
8824	Delete spare wheel (no replacement parts serviced)	MOR
8831	Delete spare wheel and tyre (no replacement parts serviced)	MOR
8832	Delete spare wheel and tyre (no replacement parts serviced)	MOR
8838	Fit special Michelin tyres	MOR
8839	Fit 13.00R x 20 Michelin Pilote tyres & wheels	All models
8869	Fit Michelin tyres (XZY on front, XY1 side section on rear)	MOR
8874	Delete coded spare wheel (no replacement parts involved)	MJR
8877	Fit Michelin wide section tyres and wheel (with 8336)	MJR
8880	Fit Firestone All Traction front tyres and Goodyear Single Wheel on rear	MOR
8889	Fit radial tyres (no replacement parts involved)	MJR
8892	Fit Michelin tyres (not catalogued)	-
8896	Delete optional spare wheel (no replacement parts involved)	MOR
9009	Relocate battery to fit Airlog equipment for Ministry specification	MJP
9102	Remove rear centre glass and replace with metal blanking panel	MKP2
9109	Fit batteries to cab rear parcel shelf	MJP
9113	Towed Rapier F.F.R.	MJP2
9118	Fit inter-vehicle starting sockets	All models
9120	Fit warning buzzer to turn-signal indicators	MJP2
9121	Fit twin fog-lamps to front bumpers	MJP2
9122	Provide isolating relay for fitment of spot and convoy light switch	MJP2
9124	Fit hinged fibre glass hatch cover	MJP
9125	Fit reverse lamp and switch	MJR
9140	Fit 12-pin trailer electrical socket at rear of vehicle	MOR

<u>SVOS</u> <u>No.</u>	<u>DESCRIPTION</u>	<u>MODEL</u>
9145	Fit inter-vehicle start socket and fire extinguisher bracket	MJR2
9156	Reposition P.T.O. switch in conjunction with double pole wiring Atlas crane installation	MJP
9199	Fit dry powder fire extinguisher	All models
9423	Fit tyre inflator to LH sidemember	MOR
9434	Fit hydraulic loader crane (R.A.F. specification)	MOP
9460	Fit side reflectors	MOP
9463	Fit military type rear tow hook	MOR
9470	Fit hydraulic loader crane (Army specification)	MOP
9487	Supply a set of hand tools	MOR
9553	Fit three-line braking to rear of chassis	MOR2
9602	Fit Allison automatic transmission	MJP2
9625	Fit front exit exhaust system	MJP
9626	Fit twin oil bath air cleaners	MJR
9635	Fit no loss coolant system	MJR
9663	Fit fuel filler locking cap	MOR
9665	Fit front mounting exhaust system	MKP2

CHAPTER 1-2

Commercial Parts List (microfiche PS 182) for the

TRUCK, 4 TONNE, BEDFORD MJ – ALL VARIANTS

CHAPTER 1-3

**List of additional and alternative spares
not included in microfiche PS 182**

used on

**TRUCK, 4 TONNE, BEDFORD MJ –
ALL VARIANTS**

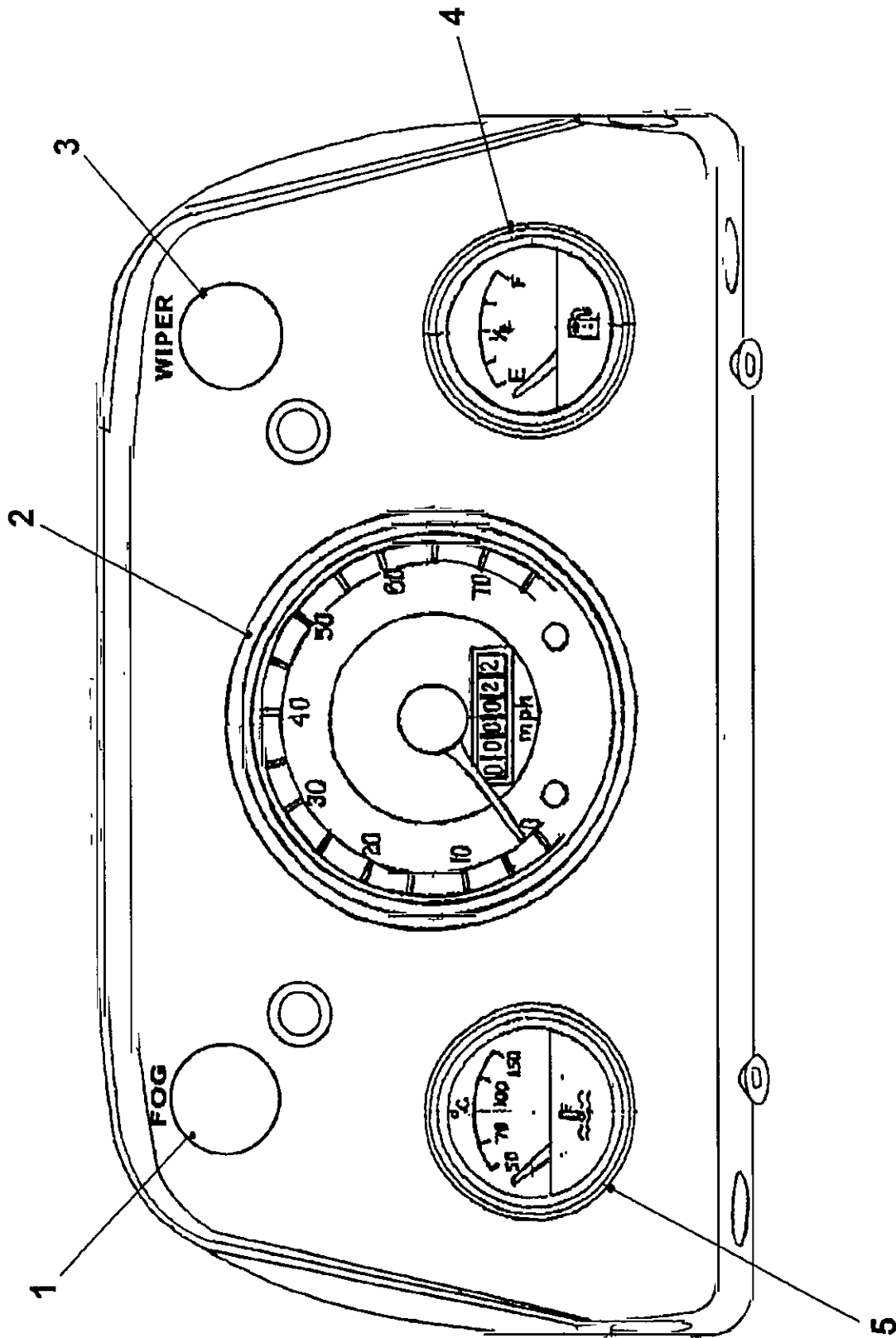


Fig 1 Carwood binnacle assembly

CARWOOD BINNACLE ASSEMBLY

Note

Cluster Assembly, Speedometer, part no. **323988368** (Carwood Motor Units Ltd), **6MT1/6680-99-215-8086**, is an alternative to Cluster Assembly, Speedometer, 6MT1/6680-99-819-5145.

Fig Item	DMC	NATO STOCK NUMBER	ITEM NAME AND DESCRIPTION	PART NO./ DRAWING NO.	No off	Remarks
1-	6MT1	6680-99-215-8086	CLUSTER ASSEMBLY, SPEEDOMETER, 24V, c/w warning lights, temp gauge & fuel gauge, speed in mph	323988368	1	Carwood
1	6MT4	5930-99-052-1087	. SWITCH, fog light	32029850	1	Carwood
2	6MT1	6680-99-396-1325	. SPEEDOMETER	32SN180001	1	Smiths
3	6MT4	5930-99-581-6910	. SWITCH, wiper	3246A566E	1	Carwood
4	6MT4	6680-99-301-9069	. INDICATOR, LIQUID QUANTITY	32ACF701015	1	Smiths
5	6MT4	6685-99-616-7799	. INDICATOR, TEMPERATURE, ELECTRICAL RESISTANCE	32ACT701005		Smiths
NI	6MT3	6210-99-833-7980	. LIGHT, INDICATOR, plastics body, 12V, 38 mm lg, 16 mm dia, w/amber lens	0-609-10	1	Durite
NI	46MT3	6210-99-830-9963	. LIGHT, INDICATOR, green warning light	HLGWLT54	1	MM Int.
NI	7BD	2590-99-811-6278	. CONNECTOR, RESISTANCE	7963016	1	Delco
NI	7BD	6150-99-726-0150	. SOCKET AND LOOM ASSEMBLY	320032P	1	Carwood
NI	X5	6240-99-995-9145	. LAMP, FILAMENT, 24V, 3W, cap BA7S(MEC), clear	283	2	Lucas
NI	6MT4	5930-99-372-4384	. SWITCH, panel light	32030150	1	Carwood

PART NUMBERS OF ITEMS ASSOCIATED WITH MODIFICATION INSTRUCTIONS**MOD INSTR NO. 1**

Item No.	DMC	NATO STOCK NUMBER	ITEM NAME AND DESCRIPTION	PART NO./ DRAWING NO.	No off	Remarks
1	7BD	2910-99-769-3048	SHIELD, GAUGE, FUEL TANK	91094852	1	

MOD INSTR NO. 2

Item No.	DMC	NATO STOCK NUMBER	ITEM NAME AND DESCRIPTION	PART NO./ DRAWING NO.	No off	Remarks
A		NP	MODIFICATION KIT, CAB HEATING AND DE-ICING comprising:	APPROVAL 42074/A	1	
1	7BD	2540-99-729-6690	NOZZLE, SIDE WINDOW HEATING, RH, steel, 51 mm (2.0 in) od by 18 SWG, welded mtg brkt	FV781846	1	
2	7BD	2540-99-729-6691	NOZZLE, SIDE WINDOW HEATING, LH, steel, 51 mm (2.0 in) od by 18 SWG, welded mtg brkt	FV781847	1	
3	7BD	2540-99-729-6692	NOZZLE, WINDSCREEN, HEATING, steel, welded assy, c/w 2 mtg brkts	FV781850	2	
4		NP	BRACKET ASSY, HEADER TANK	FV782105	1	
5		NP	BRACKET ASSY, PIPE DUCT, BLOWER, welded assy, flange each end, 173 mm O/A lg	FV782110	1	
6	7BD	2540-99-729-6694	ELBOW ASSY	FV782112	1	
7		NP	CLAMP, LOOP, steel, painted finish, 57mm id, rd unthd hole, 3/16 in dia fixing hole	FV782121	1	
8	7RU	5340-99-829-6322	SCREEN, SUCTION FAN, steel, 152 mm rad dome, 51 mm, o/a h, 16-26 swg wire mesh	FV721688	3	
9	7RU	2540-99-829-7180	CONNECTOR, HOSE	FV721692	1	
10		NP	ESCUTCHEON, PIPE, Kopex tubes	FV721696	1	
11		NP	GROMMET, RUBBER, Kopex tubes	FV781772	1	
12		NP	PIPE, STEEL	FV781773	4	
13		NP	PLATE, IDENTIFICATION, fan, de-icing	FV781785	1	
14		NP	PLATE, INSTRUCTION, battery heating	FV781797	1	
15		NP	CLIP, DUCT, steel, 25 mm wd, 0.914 mm (20swg) thk mat, 2 loops to accommodate 57 mm nom dia pipes	FV781798	1	
16	7BD	5340-99-729-6695	GUARD, FAN, SUCTION, SCREEN	FV781820	6	
17		NP		FV781834	1	

Item No.	DMC	NATO STOCK NUMBER	ITEM NAME AND DESCRIPTION	PART NO./ DRAWING NO.	No off	Remarks
18		NP	SUPPORT, HEAT EXCHANGER	FV781835	2	
19		NP	FLANGE, PIPE, heat exchanger	FV781856	1	
20	7BD	5306-99-252-2738	BOLT, U, rd bend, steel, zinc plated, passivated and paint, 108 mm centre of bend to bolt end, 67 mm inside distance between shanks, 6M iso x 1 mm thd pitch, 22 mm thd length	FV781858	1	
21		NP	DUCTING, HEATER, 2.896 m lg	FV781912/7	1	
22		NP	DUCTING, HEATER, 2.134 m lg	FV781912/8	1	
23		NP	DUCTING, HEATER, 2.756 m lg	FV781912/9	1	
24		NP	DUCTING, HEATER, 1.753 m lg	FV781912/10	1	
25	6MT6	4720-99-729-6664	HOSE, NONMETALLIC, rubber, 1.25 in id x 1.283 m lg	FV781913/7	1	
26		NP	HOSE	FV781913/8	1	
27	7BD	5330-99-729-6696	SEAL, plastazote, 102 mm id, 154 mm od, 25 mm thk, 3 holes 10 mm dia	FV782115	1	
28	7BD	5365-99-729-6697	SPACER, SLEEVE, steel, cadmium plated, 5.5 mm id, 10.0 mm od, 19.0 mm lg	FV782116	3	
29		NP	BRACKET, METHYL ALCOHOL BOTTLE	FV782117	1	
30		NP	CLAMP, LOOP	FV782144	1	
31		NP	LABEL, COOLANT REFILLING	FV782152	1	
32	6MT1	4720-99-829-6327	HOSE, PREFORMED	RH519	1	
33		NP	HOSE, rubber, 2 in id x 630 mm lg		1	
34		NP	HOSE, pvc, clear, 3/8 in id x 1310 mm lg		1	
35		NP	TUBING, flexible, black, 3/16 in od x 380 mm lg		1	
36		NP	TUBING, flexible, black, 3/16 in od x 1270 mm lg		1	
37	7BD	5330-99-833-5200	GASKET, fibre or composition, oval, 1.820 in id, 0.030 in thk	6303254	2	
38		NP	CLIP, HOSE, 32-48 mm dia		6	
39		NP	CLIP, HOSE, 61-79 mm dia		4	
40		NP	CLIP, HOSE, 13-19 mm dia		2	
41		NP	TIE, CABLE, nylon, white, 4.8 mm - 104 mm dia		3	
42		NP	NUT, SLEEVE, 1/8 bsp		4	
43		NP	CONE		4	
44	6MT4	5930-99-109-5785	SWITCH, PUSH-PULL, SPST	SPB104	1	Lucas
45	G1	5305-99-977-3254	SCREW, TAPPING, THREAD FORMING, pan hd, no.8 x 1/4 in lg	BS4174	22	

Item No.	DMC	NATO STOCK NUMBER	ITEM NAME AND DESCRIPTION	PART NO./ DRAWING NO.	No off	Remarks
46	G1	5305-99-805-6811	SCREW, TAPPING, THREAD FORMING, pan hd, no.8 x 3/8 in lg	BS4174	7	
47	G1	5305-99-977-3255	SCREW, TAPPING, THREAD FORMING, pan hd, no.8 x 1/2 in lg	BS4174	6	
48	G1	5305-99-122-4165	SCREW, TAPPING, THREAD FORMING, pan hd, no.10 x 1/2 in lg	BS4174	12	
49	G1	5306-99-941-8003	BOLT, MACHINE, hex hd, 5/16 in UNF x 2 1/2 in lg	BS1768	1	
50	G1	5306-99-941-0305	BOLT, MACHINE, 5/16 in UNF x 3 in lg	BS1768	1	
51		NP	SCREW, MACHINE, hex hd, M5 x 30 mm lg	BS3692	3	
52	G1	5305-99-135-0442	SCREW, MACHINE, pan hd, slotted, M6 x 25 mm lg	BS4183	4	
53	G1	5305-99-122-5361	SCREW, CAP, HEXAGON HEAD, M6 x 20 mm lg	BS3692	4	
54	G1	5305-99-122-5365	SCREW, MACHINE, hex hd, M8 x 16 mm lg	BS3692	1	
55	G1	5310-99-122-5294	NUT, PLAIN, HEXAGON, M5	BS3692	3	
56	G1	5310-99-122-5295	NUT, PLAIN, HEXAGON, M6	BS3692	12	
57	G1	5310-99-122-5296	NUT, PLAIN, HEXAGON, M8	BS3692	1	
58	G1	5310-99-138-9226	WASHER, LOCK, split helical ring, M5	BS4464-1969	3	
59	G1	5310-99-137-9232	WASHER, LOCK, split helical ring, M6	BS4464	10	
60	G1	5310-99-138-9227	WASHER, LOCK, split helical ring, M8	BS4464-1969	1	
61	G1	5310-99-122-6474	WASHER, FLAT, M6	BS4320	4	
B		NP	MODIFICATION KIT, BATTERY BOX FITTING	APPROVAL 42074/B, FV782172	1	
62	9AHY	5975-99-803-5158	comprising: CONDUIT ASSEMBLY, FLEXIBLE, ELECTRICAL, 5/16 in id, 15/32 in od, 24 in lg, nut both ends	FV586292-6	1	
63	Z1	5820-99-625-8417	VENT TUBE, BATTERY, 8 mm id, 11.8-mm od, 3 1/8 in lg	FV586518/6	2	
64	46MT1	4730-99-801-8722	ADAPTOR, TEE, PIPE TO HOSE	FV602488	1	
65	6MT4	5935-99-809-8706	BOX, INTER-VEHICLE CONNECTOR ASSEMBLY, 5 3/8 in lg, 4 3/4 in w, 4 mtg holes	FV634272	1	
66		NP	SPACER, SLEEVE	FV722044	4	
67	7BD	2540-99-785-1002	CONNECTOR, HOSE, copper, 70 mm o/a lg, 5/8 in od, 20 swg wall thk	FV782149	3	
68	7BD	5340-99-829-7847	CLAMP, LOOP, 51 mm loop lg, 25.5 mm loop wd, rd unthreaded hole, 4.75 mm dia	FV781809	1	

Item No.	DMC	NATO STOCK NUMBER	ITEM NAME AND DESCRIPTION	PART NO./ DRAWING NO.	No off	Remarks
69	6MT4	2540-99-729-6677	BATTERY VENT, c/w mtg assy	FV782174	1	
70	7VO	2590-99-838-3320	ADAPTOR, s hex, 25 mm a/f, 30 mm lg, 5/8-18 UNF by 16 mm deep, female 1st end 1/4-28 UNF	FV985996	1	
71		NP	GROMMET, cable, 1/2 in id x 3/8 in PT		1	
72		NP	GROMMET, cable, 13/16 in id x 5/32 in PT		2	
73		NP	ELBOW, rubber, 5/8 in id		2	
74		NP	HOSE, rubber, 5/8 in id x 1067 mm lg		1	
75		NP	HOSE, rubber, 5/8 in id x 2439 mm lg		1	
76		NP	CLIP, HOSE, 16-22 mm dia		9	
77		NP	Unallocated			
78	6MT4	5940-00-115-2679	TERMINAL, LUG	33470	2	Ampliversal
79		NP	CABLE, battery to starter, red, PVC outer, 3 m lg		1	
80		NP	CABLE TIE, nylon, natural white, 1.6 mm - 78 mm dia		6	
81	G1	5305-99-135-0425	SCREW, MACHINE, pan hd, M4 x 20 mm lg	BS4183	1	
82		NP	SCREW, hex hd, slotted, 2BA x 16 mm lg		2	
83	G1	5305-99-122-5359	SCREW, CAP, HEXAGON HEAD, M6 x 12 mm lg	BS3692	2	
84	G1	5305-99-122-6440	SCREW, CAP, HEXAGON HEAD, M6 x 40 mm lg	BS3692	4	
85	G1	5310-99-122-5295	NUT, PLAIN, HEXAGON, M6	BS3692	6	
86	G1	5310-99-137-9232	WASHER. LOCK, split helical ring, M6	BS4464	6	
87	G1	5310-99-138-9225	WASHER, LOCK, split helical ring, M4	BS4464-1969	1	
88	G1	5310-99-135-0755	NUT, PLAIN, HEXAGON, M4	BS3692	1	
C		NP	MODIFICATION KIT, CAB HATCH	APPROVAL 42074/C,	1	
	7BD	2540-99-729-6657	HATCH INSULATION ASSEMBLY	FV781832	1	
			comprising:			
89		NP	HATCH, BOTTOM	FV781851	1	
90		NP	HATCH, MIDDLE	FV781852	1	
91		NP	SPACER	FV781853	3	
92		NP	SPACER	FV781854	2	
93	G1	5305-99-137-8254	SCREW, TAPPING, THREAD FORMING, pan hd, no. 8 x 1 1/4 in lg	BS4174-1972	6	
94		NP	SCREW, TAPPING, THREAD FORMING, pan hd, no. 8 x 38 mm lg		2	
95	G1	5310-99-122-3031	WASHER, FLAT, 4.4 mm id, 8.85 mm od, 0.8 mm thk	BS4320	8	

Item No.	DMC	NATO STOCK NUMBER	ITEM NAME AND DESCRIPTION	PART NO./ DRAWING NO.	No off	Remarks
D		NP	MODIFICATION KIT, BLIND ASSEMBLY, WINDSCREEN	APPROVAL 42074/D	1	
	7BD	2540-99-729-6684	comprising: BLIND, WINDSCREEN, VEHICULAR, c/w bar, straps and hooks	FV782097	1	
96		NP	BLIND ASSEMBLY, front windscreen	FV781828	1	
97		NP	BAR, FIXING	FV782101	1	
98	6MT1	2540-99-252-2749	STRAP, WEBBING, nylon, olive drab, 250 mm o/a lg, buckle 1 st end, plain strap 2 nd end	FV781911/1	2	
99	6MT1	5340-99-829-2983	HOOK, SUPPORT, steel, nylon dipped	FV721819	2	
100	7BD	2540-99-252-2748	MOUNTING, VELCRO, assembly, 552 mm lg	FV782246/2	2	
101	G1	5305-99-977-3255	SCREW, TAPPING, THREAD FORMING, pan hd, no. 8 x ½ in lg	BS4174	4	
102	G1	5305-99-122-5356	SCREW, CAP, HEXAGON HEAD, M5 x 16 mm lg	BS3692	6	
103	G1	5310-99-122-3032	WASHER, FLAT, steel, M5	BS4320	12	
104	G1	5310-99-138-9226	WASHER, LOCK, split helical ring, M5	BS4464-1969	6	
105	G1	5310-99-122-5294	NUT, PLAIN, HEXAGON, M5	BS3692	6	
106	G1	5320-99-137-2945	RIVET, BLIND, 3.2 mm x 7.9 mm lg	TAPD46BS	22	Tucker Fasteners
E		NP	MODIFICATION KIT, BLIND ASSEMBLY, RADIATOR GRILLE	APPROVAL 42074/E	1	
	7BD	2540-99-729-6687	comprising BLIND, GRILLE, RADIATOR, c/w bar & hooks	FV782098	1	
107		NP	BLIND ASSEMBLY, RADIATOR GRILLE	FV782106	1	
108		NP	BAR, FIXING	FV722040	1	
109	6MT1	5340-99-829-2983	HOOK, SUPPORT, steel, nylon dipped	FV721819	4	
110	7BD	2540-99-252-2748	MOUNTING, VELCRO, assembly, 552 mm lg	FV782246/2	1	
111	G1	5305-99-977-3255	SCREW, TAPPING, THREAD FORMING, pan hd, no. 8 x ½ in lg	BS4174	15	
112	G1	5320-99-137-2945	RIVET, BLIND, 3.2 mm x 7.9 mm lg	TAPD46BS	11	Tucker Fasteners
F		NP	MODIFICATION KIT, BLIND ASSEMBLY, WINDOW	APPROVAL 42074/F	1	
	7BD	2540-99-729-6685	comprising BLIND, SIDE WINDOW, lh, c/w bar, straps and hooks	FV782248	1	
113		NP	BLIND ASSEMBLY, LH SIDE WINDOW	FV781830	1	
114		NP	BAR, FIXING	FV782103	1	

Item No.	DMC	NATO STOCK NUMBER	ITEM NAME AND DESCRIPTION	PART NO./ DRAWING NO.	No off	Remarks
115	6MT1	5340-99-829-2983	HOOK, SUPPORT, steel, nylon dipped	FV721819	1	
116	6MT1	2540-99-252-2749	STRAP, WEBBING, nylon, olive drab, 250 mm o/a lg, buckle 1 st end, plain strap 2 nd end	FV781911/1	2	
117	7BD	2540-99-252-2750	MOUNTING, VELCRO, assembly, 908 mm lg	FV782246/1	1	
118	7BD	2540-99-252-2751	MOUNTING, VELCRO, assembly, 495 mm lg	FV782246/4	2	
119	G1	5305-99-977-3255	SCREW, TAPPING, THREAD FORMING, pan hd, no. 8 x ½ in lg	BS4174	4	
120	G1	5320-99-137-2945	RIVET, BLIND, 3.2 mm x 7.9 mm lg	TAPD46BS	30	Tucker Fasteners
121	G1	5310-99-122-5294	NUT, PLAIN, HEXAGON, M5	BS3692	5	
122	G1	5310-99-138-9226	WASHER, LOCK, split helical ring, M5	BS4464-1969	5	
123	G1	5310-99-122-3032	WASHER, FLAT, steel, M5	BS4320	10	
124	G1	5305-99-122-5357	SCREW, MACHINE, M5 x 20 mm lg	BS3692	5	
G		NP	MODIFICATION KIT, BLIND ASSEMBLY, WINDOW comprising:	APPROVAL 42074/G	1	
	7BD	2540-99-729-6686	BLIND, SIDE WINDOW, rh, c/w bar, straps and hooks	FV782249	1	
125		NP	BLIND ASSEMBLY, RH SIDE WINDOW	FV781829	1	
126		NP	BAR, FIXING	FV782103	1	
127	6MT1	2540-99-252-2749	STRAP, WEBBING, nylon, olive drab, 250 mm o/a lg, buckle 1 st end, plain strap 2 nd end	FV781911/1	2	
128	6MT1	5340-99-829-2983	HOOK, SUPPORT, steel, nylon dipped	FV721819	2	
129	7BD	2540-99-252-2750	MOUNTING, VELCRO, assembly, 908 mm lg	FV782246/1	1	
130	7BD	2540-99-252-2751	MOUNTING, VELCRO, assembly, 495 mm lg	FV782246/4	1	
131	G1	5305-99-977-3255	SCREW, TAPPING, THREAD FORMING, pan hd, no. 8 x ½ in lg	BS4174	4	
132	G1	5305-99-122-5357	SCREW, MACHINE, M5 x 20 mm lg	BS3692	5	
133	G1	5310-99-122-5294	NUT, PLAIN, HEXAGON, M5	BS3692	5	
134	G1	5310-99-138-9226	WASHER, LOCK, split helical ring, M5	BS4464-1969	5	
135	G1	5310-99-122-3032	WASHER, FLAT, steel, M5	BS4320	10	
136	G1	5320-99-137-2945	RIVET, BLIND, 3.2 mm x 7.9 mm lg	TAPD46BS	30	Tucker Fasteners
H		NP	MODIFICATION KIT, BLIND ASSEMBLY, CAB, REAR comprising:	APPROVAL 42074/H	1	
	7BD	2540-99-729-6689	BLIND, ENGINE, CAB REAR, c/w bar, straps and hooks	FV782250	1	

Item No.	DMC	NATO STOCK NUMBER	ITEM NAME AND DESCRIPTION	PART NO./ DRAWING NO.	No off	Remarks
137		NP	BLIND ASSEMBLY, REAR CAB	FV782108	1	
138	6MT1	2540-99-252-2749	STRAP, WEBBING, nylon, olive drab, 250 mm o/a lg, buckle 1 st end, plain strap 2 nd end	FV781911/1	2	
139		NP	BAR, FIXING	FV782109	1	
140	6MT1	5340-99-829-2983	HOOK, SUPPORT, steel, nylon dipped	FV721819	3	
141	G1	5305-99-977-3255	SCREW, TAPPING, THREAD FORMING, pan hd, no. 8 x ½ in lg	BS4174	12	
J		NP	MODIFICATION KIT, BLIND ASSEMBLY, RADIATOR comprising:	APPROVAL 42074/J	1	
	7BD	2540-99-729-6688	BLIND, RADIATOR, VEHICULAR, comprising of roller, housing, mtg brackets, guide and pull chain	FV782128	1	
142		NP	BLIND ASSEMBLY, RADIATOR	FV781821	1	
143	G1	5306-99-122-4911	BOLT, MACHINE, hex hd, M10 x 30 mm lg	BS3692	4	
144	G1	5310-99-122-5297	NUT, PLAIN, HEXAGON, M10	BS3692	4	
145	G1	5310-99-138-9228	WASHER, LOCK, split helical ring, M10	BS4464	4	
146	G1	5310-99-122-6476	WASHER, FLAT, steel, M10	BS4320	24	
K		NP	MODIFICATION KIT, MUDFLAPS comprising:	APPROVAL 42074/K	1	
	7BD	2540-99-836-1355	PARTS KIT, MUDFLAP, VEHICULAR, comprises 2 mudflaps, 2 angle strips, 2 fixing strips & nuts, screws, & washers (10 off each)	FV781762	1	
147		NP	MUDFLAP	FV722050	2	
148		NP	BRACKET, ANGLE, fixing, rear mudflap (driver's side)	FV781760	1	
149	7BD	5340-99-838-7540	BRACKET, ANGLE, fixing, rear mudflap (passenger's side)	FV781777	1	
150	7BD	5340-99-838-7541	STRAP, RETAINING, steel, painted, 15,75 in lg, 1.0 in wd, 1/16 in thk, 3 holes 17/64 in dia	FV781761	2	
151	G1	5305-99-941-0513	SCREW, MACHINE, UNF, steel, hex hd, Zn plated, ¼ in x ¾ in lg	BS1768	10	
152	G1	5310-99-804-7941	NUT, PLAIN, HEXAGON, steel, ¼ in UNF	BS1768	10	
153	G1	5310-99-941-6654	WASHER, LOCK, split helical ring, ¼ in nom bolt size	BS1802-1-4TYPEA	10	

Mod Instr No 2 continued - Stores to be demanded as individual items

Item No.	DMC	NATO STOCK NUMBER	ITEM NAME AND DESCRIPTION	PART NO./ DRAWING NO.	No off	Remarks
154	7BD	2990-99-781-5344	HEAT EXCHANGER, comprising radiator heater core, blower assembly & 24V motor	FV781825	1	
155		NP	BATTERY CASING ASSEMBLY	FV781823	1	

Mod Instr No 2 continued - Stores or suitable equivalent to be obtained locally

156	Y3	6145-99-943-4824	WIRE ELECTRICAL, single conductor, 40/0.0070 in, copper, tinned, braid glass, polychloroprene compound, yellow	UNIPREN 12	AR	BICC
157	CA	8315-99-136-3125	FASTENER TAPE, PILE, nylon, olive, 50 mm w	VELCRO	AR	Selectus Ltd

MOD INSTR NO. 3

Item No.	DMC	NATO STOCK NUMBER	ITEM NAME AND DESCRIPTION	PART NO./ DRAWING NO.	No off	Remarks
1	7BD	5306-99-785-6847	BOLT, SELF-LOCKING, UNF, steel, hex hd, serrated seat, 9/16 in dia x 46 mm lg	91107780	12	

MOD INSTR NO. 4

Item No.	DMC	NATO STOCK NUMBER	ITEM NAME AND DESCRIPTION	PART NO./ DRAWING NO.	No off	Remarks
A	7BD	2530-99-839-5162	MODIFICATION KIT, ANTI-FREEZE SYSTEM, BRAKES comprising:	MAE12-1948 91113349	1	
1	6MT9	2530-99-792-0650	VALVE, NON RETURN, 4.8 ins lg	91113346	1	
2	6MT9	2530-99-792-0651	CONNECTOR, STRAIGHT, steel, 11/16 in, hex body, 1/8 in - 27 NPTF male & female	91113347	1	
3		NP	PIPE, NYLON	7171838	1	
4	7BD	4730-99-874-0756	INVERTED NUT, TUBE COUPLING, steel, 1/2 in - 20 UNF, 0.312 in id, 0.500 in a/f, 0.750 in o/a lg	6336891	1	
5	6MT1	4730-99-807-9024	SLEEVE, COMPRESSION, PIPE-HOSE FITTING, brass for 3/16 in od pipe, 7/32 in o/a lg	120488	1	
6	6MT6	5330-99-816-9522	STRIP, SEALING, polyvinyl chloride coated steel, u-section, 5/8 in h	UA1388	1	Draftex

MOD INSTR NO. 5

Item No.	DMC	NATO STOCK NUMBER	ITEM NAME AND DESCRIPTION	PART NO./ DRAWING NO.	No off	Remarks
A	7BD	6680-99-839-5157	MODIFICATION KIT, TACHOMETER DRIVE ASSEMBLY	91117667 MAE 12-1958	1	
1	7BD	6680-99-792-3331	comprising: TACHOMETER DRIVE ASSEMBLY, Al alloy housing and adaptor, steel shaft, 35 mm major dia, 96 mm o/a lg, ¼ Whit male thd 1 st end, slot drive 2 nd end, c/w 'O' ring	91110572	1	
2	7BD	2815-99-835-4188	CLIP	3354929	1	Terex
3	G1	5310-99-977-7351	WASHER, FLAT, steel, zinc plated, rd hole, 7 mm nom bolt size, 14 mm od, 1.6 mm thk	BS4320	1	
4	G1	5305-99-941-0685	SCREW, MACHINE, ¼ in UNC thd, steel, hex hd, zinc plated, ½ in o/a lg	BS1768	1	
5	G1	5310-99-941-6654	WASHER, LOCK, steel, split helical ring, ¼ in nom bolt size, 0.425 in od, 0.072 in thk	BS1802-1- 4TYPEA	1	
6	7BD	5340-99-819-4751	PLUG, EXPANSION, steel, zinc plated, 1.071 in dia, 0.049 thk of material	7126302	1	

Mod Instr No 5 continued - Stores or suitable equivalent to be obtained locally

7	H1	5330-99-225-2103	GASKET FORMING COMPOUND, low strength gasket, limited gap fill, 0.10 mm max, flange seal, colour green, 50 ml quantity	573-50ML	AR	Loctite
---	----	------------------	--	----------	----	---------

MOD INSTR NO. 6

Item No.	DMC	NATO STOCK NUMBER	ITEM NAME AND DESCRIPTION	PART NO./ DRAWING NO.	No off	Remarks
1	7BD	9905-99-839-5120	PLATE, INSTRUCTION, aluminium, rect, 160 mm lg, 60 mm w, yellow lettering on black background (crane stabiliser instruction)	1398250	1	

MOD INSTR NO. 7

Item No.	DMC	NATO STOCK NUMBER	ITEM NAME AND DESCRIPTION	PART NO./ DRAWING NO.	No off	Remarks
A		NP	MODIFICATION KIT, LUBRICATING NIPPLE	MAE 12-1963	AR	
1	46MT1	4730-99-200-9136	LUBRICATING NIPPLE, steel, 1-5/32 in o/a lg, 1/4 in x 28 UNF, 2A thd 9/32 in lg, 1/4 in od stem	94GB1598	1	Hardy Spicer
2	6MT1	4730-99-725-7861	ELBOW, PIPE TO TUBE, steel, zinc plated, 1/8 in BSP-F male thd 1 st end, 1/4 in UNF female thd 2 nd end, 90 deg bend, 16 mm o/a lg, 11 mm wd a/f	91118892	1	

MOD INSTR NO. 8

Item No.	DMC	NATO STOCK NUMBER	ITEM NAME AND DESCRIPTION	PART NO./ DRAWING NO.	No off	Remarks
A		NP	MODIFICATION KIT, HIP RING RETENTION	MAE 12-1928	1	
1	7BD	2510 99 781 3717	SPRING ASSEMBLY, PULL, consists u-shape spring, c/w bracket, ring cover retainer	91103656	3	
2	7BD	2510 99 781 3718	HOOK, HIP RING COVER, black plastic, 1 in od, 0.43 in small dia, 0.20 in id, 0.58 in o/a lg	91107914	3	
3	G1	5310-99-122-3032	WASHER, FLAT, steel, zinc plated, rd hole, 5.4 mm id, 9.8 mm od, 1mm thk.	BS4320	3	
4	G1	5305-99-122-3004	SCREW, MACHINE, iso, steel, flat csk hd, cross recess drive, zinc plated, M5 x 0.80mm pitch, 30mm lg, scr 25mm, 6G thd, 90 deg csk angle	BS4183-1967	3	

MOD INSTR NO. 9

Item No.	DMC	NATO STOCK NUMBER	ITEM NAME AND DESCRIPTION	PART NO./ DRAWING NO.	No off	Remarks
1	7BD	4730-99-788-7090	NIPPLE, TUBE, steel, zinc plated, 7/16 in UNS male thd both ends, 20.75 mm o/a lg	91113959	1	
2	7BD	4730-99-833-2453	SLEEVE, COMPRESSION, PIPE-HOSE FITTING, brass, for 1/2 in od pipe, 1/4 in o/a lg	114628	1	
3	7BD	4730-99-816-7122	NUT, UNION, UNF, steel, 7/16 in dia	114627	1	

Item No.	DMC	NATO STOCK NUMBER	ITEM NAME AND DESCRIPTION	PART NO./ DRAWING NO.	No off	Remarks
4	7BD	4730-99-874-0706	INVERTED NUT, TUBE COUPLING, steel, hex, cadmium or zinc plated, 7/16 in UNS, 0.250 in id, 0.500 in a/f, 0.562 in o/a lg	442140	1	

Mod Instr No 9 continued - Stores or suitable equivalent to be obtained locally

Item No.	DMC	NATO STOCK NUMBER	ITEM NAME AND DESCRIPTION	PART NO./ DRAWING NO.	No off	Remarks
5	H1	8030-99-225-0249	SEALANT, low strength, high viscosity, thixotropic pipe sealant with PTFE, to seal threads against water, oil etc, colour white, 50 ml quantity	LOCTITE 572	AR	Loctite

MOD INSTR NO. 10

Item No.	DMC	NATO STOCK NUMBER	ITEM NAME AND DESCRIPTION	PART NO./ DRAWING NO.	No off	Remarks
A		NP	MODIFICATION KIT, DIPSTICK ASSEMBLY	MAE 12-1936/1	1	
1	7BD	6680-99-792-3328	comprising: GAGE ROD, LIQUID LEVEL, 613 mm o/a lg, c/w sealing ring	91108275	1	
2	7BD	6680-99-792-3330	DIPSTICK TUBE ASSEMBLY, c/w bracket and sleeve	91108258	1	

Mod Instr No 10 continued - Stores or suitable equivalent to be obtained locally

Item No.	DMC	NATO STOCK NUMBER	ITEM NAME AND DESCRIPTION	PART NO./ DRAWING NO.	No off	Remarks
3	H1	8030-99-225-0249	SEALANT, low strength, high viscosity, thixotropic pipe sealant with PTFE, to seal threads against water, oil etc, colour white, 50ml quantity	LOCTITE 572	AR	Loctite

MOD INSTR NO. 11

Item No.	DMC	NATO STOCK NUMBER	ITEM NAME AND DESCRIPTION	PART NO./ DRAWING NO.	No off	Remarks
A		NP	MULTI-HEIGHT TOW HITCH	V6597/1	1	
1		NP	comprising: PLATE, BRACE	V6597/4	2	
2		NP	SIDE STAY (LH)	V6597/5	1	
3		NP	SIDE STAY (RH)	-	1	
4		NP	CROSSBRACE	V6597/1	1	
5		NP	PLATE, ANCHOR	V6597/7	1	

Mod Instr No 11 continued - Stores or suitable equivalent to be obtained locally

Item No.	DMC	NATO STOCK NUMBER	ITEM NAME AND DESCRIPTION	PART NO./ DRAWING NO.	No off	Remarks
6	G1	5306-99-122-8187	BOLT, MACHINE, iso, steel, hex hd, cadmium plated, M16 x 2.00 mm pitch, 55 mm lg, class 6G thd	BS3692	2	
7	G1	5506-99-122-8172	BOLT, MACHINE, iso, steel, hex hd, cadmium plated, M12 x 1.75 mm pitch, 40 mm lg class 6G thd	BS3692	6	
8	G1	5310-99-135-0790	NUT, PLAIN, HEXAGON, steel, cadmium plated, M12 x 1.75 iso 6H, chamfered, 10 mm h, 19 mm A/F	BS3692	6	
9	G1	5310-99-138-9229	WASHER, LOCK, steel, split helical ring, zinc plated, M12, 17.9 mm od, 2.65 mm thk	BS4464	6	
10	G2	9510-99-964-7029	BAR, METAL, steel, rect, 150 mm x 25 mm, weight 29.40 Kg/m, bulk supply	BSEN10113 PART 2-430A-150x25mm	14 Kg	
11	G2	9520-99-964-5971	ANGLE, STRUCTURAL, carbon steel, 50 mm x 50 mm, leg angle 90 deg, 6.00 mm thk, weight 4.47 Kg/m, bulk supply	BS4848 PART 4-50x50x6mm	10 Kg	
12	G2	9510-99-964-6997	BAR, METAL, steel, rect, 80 mm x 6 mm, weight 3.77 Kg/m, bulk supply	BSEN10113 PART 2-430A-80x6mm	4 Kg	
13	G2	9510-99-964-7013	BAR, METAL, steel, rect, 100 mm x 12 mm, weight 9.42 Kg/m, bulk supply	BSEN10113 PART 2-430A-100X12mm	15 Kg	
14	G1	5306-99-122-8188	BOLT, MACHINE, iso, steel, hex hd, cadmium plated, M16 x 2 mm pitch, 60 mm lg, class 6G thd	BS3692	2	
15	G1	5310-99-135-0791	NUT, PLAIN, HEXAGON, steel, cadmium plated, M16 x 2.00 iso 6H, chamfered, 13 mm h, 24 mm A/F	BS3692	8	
16	G1	5310-99-138-9230	WASHER, LOCK, steel, split helical ring, zinc plated, M16, 24.3 mm od, 3.5 mm thk	BS4464	8	
17	G1	5306-99-122-8193	BOLT, MACHINE, iso, steel, hex hd, cadmium plated, M16 x 2.00 mm pitch, 90 mm lg, class 6G thd	BS3692	4	
18	G1	5306-99-122-8194	BOLT, MACHINE, iso, steel, hex hd, cadmium plated, M16 x 2.00 mm pitch, 100 mm lg, class 6G thd	BS3692	2	
19	G1	5306-99-122-8195	BOLT, MACHINE, iso, steel, hex hd, cadmium plated, M16 x 2.00 mm pitch, 110 mm lg, class 6G thd	BS3692	2	

MOD INSTR NO. 12

Item No.	DMC	NATO STOCK NUMBER	ITEM NAME AND DESCRIPTION	PART NO./ DRAWING NO.	No off	Remarks
1	7BD	2910-99-978-1045	TANK, FUEL	91121155	1	
A	7BD	2910-99-839-7037	FITTING KIT, fuel tank, comprising 15 items, some in multiples	MAE12-2001 91126341	1	
2	7BD	2990-99-978-2399	TRANSMITTER	91114475	1	
3	7BD	2910-99-732-7011	LOCKING RING, steel, 2.600 in od, 1.94 in id, 0.312 in o/a h, 3 equidistant tags	91110526	1	
4	7BD	5330-99-734-4775	GASKET, rubber, round shape, 50 mm id, 66mm od, 2.8 mm to 3.2 mm thk	91110527	1	
5	7BD	4710-99-942-4715	PIPE, nylon	91119178	2	
6	46MT1	4730-99-835-0703	INVERTED NUT, TUBE COUPLING, brass, 19 mm a/f, 16.5 mm thk, M18 x 1.5 thd, 12 mm tube size	91064682	6	
7	46MT1	4730-99-831-9967	SLEEVE, COMPRESSION, TUBE-HOSE FITTING, brass, for 12 mm od pipe, 7.6 mm o/a lg	91064681	6	
8		NP	NUT	91089146	2	
9		NP	OLIVE	91087456	2	
10	7BD	2590-99-978-2581	ADAPTER	91104757	2	
11	7BD	4730-99-192-0235	ADAPTOR, STRAIGHT, PIPE TO TUBE, copper alloy, 1 st end threaded internal pipe, BSP.F, 0.375 in 1 st end, 51.00 mm lg, 2 nd end 12 mm od	91106516	1	
12	46MT1	5330-99-881-2905	GASKET, copper, rd, 0.66 in id, 0.825 in od, 0.06 in thk	48-0213-03	2	I M I Norgren
13	7BD	4820-99-978-1716	VALVE, BALL	91106517	1	
14	7BD	4730-99-172-9260	ADAPTOR, STRAIGHT, PIPE	91104549	1	
15	7BD	4730-99-352-4622	ELBOW, TUBE, copper alloy	91104790	1	
16	7BD	2590-99-978-1715	HANDLE & LEVER ASSY	91108316	1	
17	7BD	5315-99-570-5835	PIN, SPRING, steel, phosphate black, 3.3 mm dia, 12 mm lg, 0.6 mm material thk	11077161	1	
18	7BD	7690-99-215-7592	LABEL, plastics, square, adhesive, 36.5 mm max lg, 36.5 mm max wd, singular, off "crescent arrow" on fuel valve	91043914	1	
19	G1	5306-99-122-4911	BOLT, MACHINE, iso, steel, hex hd, zinc plated, M10 x 1,5 mm pitch, 30 mm lg, class 6G thd	BS3692	1	
20	G1	5310-99-122-5297	NUT, PLAIN, HEXAGON, steel, chamfered, zinc plated, M10 x 1.50 mm pitch, 17.00 mm w a/f, 8.00mm o/a h, class 6H thd	BS3692	1	

Item No.	DMC	NATO STOCK NUMBER	ITEM NAME AND DESCRIPTION	PART NO./ DRAWING NO.	No off	Remarks
21	G1	5310-99-135-9303	WASHER, LOCK, steel, split helical ring, cadmium plated, M10, 15.90 mm od, 2.50 mm thk	BS4464	1	
22	G1	5310-99-122-8067	WASHER, FLAT, steel, cadmium plated, rd hole, 10.9 mm max dia, 21 mm max od, 2.2 mm max thk	BS4320	1	
23	7BD	2910-99-748-0396	BRACKET, FUEL TANK STOP, steel, welded assembly	91005739	1	
24	7BD	4730-99-839-7350	ADAPTOR, STRAIGHT, PIPE	91104756	1	

MOD INSTR NO. 13

Item No.	DMC	NATO STOCK NUMBER	ITEM NAME AND DESCRIPTION	PART NO./ DRAWING NO.	No off	Remarks
1	7BD	5930-99-750-7045	SWITCH, PRESSURE, spst, normally open, 12v/24v dc, 10A, 67.57 to 77.43 psi range	91092874	1	
2	7BD	5930-99-750-7046	BOOT, DUST AND MOISTURE SEAL, pvc, black, 76 mm lg, 30 mm id	91098386	1	

MOD INSTR NO. 14

Item No.	DMC	NATO STOCK NUMBER	ITEM NAME AND DESCRIPTION	PART NO./ DRAWING NO.	No off	Remarks
1	46MT1	4730-99-533-2962	CLAMP, HOSE, worm drive type, steel, zinc plated	FL98/2	1	Foden
2	7BD	2990-99-801-3018	PIPE, VENTILATION, flexible black nylon tubing, 25 mm od, 20 mm id	BS5315-1976 91127171	1	
3	7BD	5340-99-838-4821	CLAMP, LOOP, steel, zinc plated, 24.5 mm, 20mm lg, 25 mm dia grip, 9 mm w, fixing slot 16 mm lg	91029197	1	

MOD INSTR NO. 14 continued - Stores or suitable equivalent to be obtained locally

4	G2	4710-99-965-0500	TUBE, METALLIC, steel, rd, seamless, 25 mm od, 1.6 mm wall thk, bulk supply	BS6323 Part 4- CFS3-BK- 25MMOD	AR	
---	----	------------------	---	--------------------------------------	----	--

MOD INSTR NO. 15

Item No.	DMC	NATO STOCK NUMBER	ITEM NAME AND DESCRIPTION	PART NO./ DRAWING NO.	No off	Remarks
1	6MT1	5920-99-793-4147	FUSEHOLDER, in-line type, nylon, spring loaded, w/o fuse	91068193	1	

MOD INSTR NO. 16

Item No.	DMC	NATO STOCK NUMBER	ITEM NAME AND DESCRIPTION	PART NO./ DRAWING NO.	No off	Remarks
1		NP	MODIFICATION KIT, CONVOY LAMP FUSE	MAE12-1818	1	
2	7BD	5920-99-322-3000	comprising: FUSE, ASSEMBLY, c/w male and female connectors	91131086	1	
3	6MT1	5340-99-831-4987	CLIP, SPRING TENSION, steel, 0.48 in w, 0.36 in h loop, panel grip fixing	8824959	1	

MOD INSTR NO. 17

Item No.	DMC	NATO STOCK NUMBER	ITEM NAME AND DESCRIPTION	PART NO./ DRAWING NO.	No off	Remarks
	7BD	2510-99-008-5017	MODIFICATION KIT, VEHICLE BODY	91137020	1	
1		NP	comprising: REINFORCEMENT, CROSS MEMBER	91137017	1	
2		NP	REINFORCEMENT, LONGITUDINAL MEMBER	91137016	4	
3		NP	'POP' RIVET, SEALED TYPE	7175750	132	

MOD INSTR NO. 18

Item No.	DMC	NATO STOCK NUMBER	ITEM NAME AND DESCRIPTION	PART NO./ DRAWING NO.	No off	Remarks
	7EDT	5930-99-470-7710	FITTING KIT, WARNING-LIGHT SWITCH, power take-off selection	AVA28 MAE12-1371 MAE12-2090	1	Edbro
1		NP	comprising: WARNING LIGHT SWITCH, c/w rubber boot		1	
2		NP	'TEE' PIECE		1	
3		NP	FERRULE (¼ BSPT)		2	
4		NP	OLIVE		2	
5		NP	TUBE NUT		2	
6	7EDT	2520-99-758-0605	VALVE ASSEMBLY, CONTROL, HAND, power take-off	SA2331/S	1	Edbro
7	7EDT	2520-99-910-8727	SELECTOR, power take-off control unit	TLA61	1	Edbro

MOD INSTR NO. 18 continued - Stores or suitable equivalent to be obtained locally

8	Y2	5340-99-933-3089	STRAP, LINE SUPPORTING, plastic w/cres fastener, 186 mm lg, 4.7 mm wd, white	TY25M	AR	Thomas and Betts
---	----	------------------	--	-------	----	------------------

MOD INSTR NO. 19

Item No.	DMC	NATO STOCK NUMBER	ITEM NAME AND DESCRIPTION	PART NO./ DRAWING NO.	No off	Remarks
1	6MT9	2530-99-056-2679	SHIELD, TRANSMISSION BRAKE, steel, 204 mm lg, 170 mm h, 1mm thk, centre hole 138 mm dia, black paint finish	A4021084 MAE12-2074	1	

MOD INSTR NO. 20

Item No.	DMC	NATO STOCK NUMBER	ITEM NAME AND DESCRIPTION	PART NO./ DRAWING NO.	No off	Remarks
1	46MT1	2540-99-740-7338	BARREL CLIP ASSEMBLY, block dims: 73 mm h, 54 mm w, 90 mm lg, 102 mm o/a h, c/w spring catch	FV952299	AR	
2	46MT1	2540-99-740-7339	CLIP, WEAPON STOWAGE, butt clip assembly	FV952328	AR	
3	7BD	2510-99-802-1513	BUMPER, RUBBER, front mudguard panel	6358382	AR	

MOD INSTR NO. 20 continued - Stores or suitable equivalent to be obtained locally

4	7RU	5305-99-122-5360	SCREW, CAP, HEXAGON HEAD, steel, zinc plated, iso, M6 x 1 mm pitch, class 6G thd, 16 mm fastener lg	BS3692	AR	
5	G1	5310-99-136-2752	WASHER, FLAT, corrosion resistant steel, rd, rd hole, M6 nom bolt hole, 12.50 mm od, 1.60 mm thk	BS4320	AR	
6	G1	5310-99-122-5495	NUT, SELF-LOCKING, HEXAGON, M6, iso, steel, zinc plated, w/plastic insert, 10 mm w a/f, 7.8 mm h	BS4929	AR	
7	G1	5305-99-122-5366	SCREW, CAP, HEXAGON HEAD, iso, steel, zinc plated, M8 x 1.25 mm pitch, 20 mm lg, 20 mm thd lg, class 6G thd	BS3692	AR	
8	G1	5310-99-977-1085	WASHER, FLAT, steel, rd, rd hole, M8 nom bolt size, 16.80 mm od, 1.60 mm thk	BS4320	AR	
9	G1	5310-99-122-5496	NUT, SELF-LOCKING, HEXAGON, iso, steel, zinc plated, nylon insert, M8 x 1.25 mm thd pitch, 13.00 mm nom w a/f, 10.00 mm nom h	BS4929	AR	
10	G1	5305-99-122-5368	SCREW, CAP, HEXAGON HEAD, steel, zinc plated, iso, M8, 6G thd class, 30 mm lg	BS3692	AR	

MOD INSTR NO. 21 CANCELLED

MOD INSTR NO. 22

Item No.	DMC	NATO STOCK NUMBER	ITEM NAME AND DESCRIPTION	PART NO./DRAWING NO.	No off	Remarks
A	7BD	2510-99-950-3279	CAB ASSEMBLY, left hand drive variants	A4037847	1	
B	7BD	2510-99-001-6834	CAB ASSEMBLY, right hand drive variants	A4037846	1	
1	7BD	5340-99-588-2206	comprising: BUMPER, METALLIC, steel, painted, 296 mm wd, 167.9 mm h, black, w/2 bosses & various holes, lh front	A4024620	1	
2	7BD	5340-99-807-8834	BUMPER, METALLIC, steel, painted, 296 mm wd, 167.9 mm h, black, w/2 bosses & various holes, rh front	A4024621	1	
3		NP	PROTECTOR, HEADLIGHT	91126012	2	
4		NP	SUPPORT, HEADLIGHT	91126011	2	
5	G1	5305-99-122-8579	SCREW, CAP, HEXAGON HEAD, M6 iso, 16 mm o/a lg, class 6G thd	BS3692	2	
6	G1	5310-99-203-6405	WASHER, LOCK, steel, split helical ring, M6, 9.6 mm od, 1.5mm thk	BS4464	2	
7	G1	5310-99-122-5295	NUT, PLAIN, HEXAGON, iso, steel, chamfered, zinc plated, M6 x 1.00 mm pitch, 10 mm max wd a/f, 5 mm max h, class 6H thd	BS3692	2	
8		NP	BOLT	11010796	4	
9	G1	5310-99-530-0155	WASHER, LOCK, steel, split helical ring, 12 mm nom bolt size, 21 mm od, 2.5 mm matl thk	BS4464-1969	8	
10	G1	5310-99-122-5298	NUT, PLAIN, HEXAGON, iso, steel, chamfered, zinc plated, M12 x 1.75 mm pitch, 19.00 mm w a/f, 10 mm o/a h, class 6H thd	BS3692	4	
11	G1	5306-99-122-4913	BOLT, MACHINE, iso, steel, hex hd, zinc plated, M12 x 1.75 mm pitch, 30 mm lg, class 6G thd	BS3692	4	
12	7BD	2540-99-570-1227	BRACKET, VEHICULAR BUMPER, front bumper centre	A4037831	1	
13		NP	PLATE, REINFORCEMENT, TOW HOOK	A4037837	1	
14	7BD	2540-99-950-3350	BRACKET, VEHICULAR BUMPER, for rh side of front bumper, steel, black painted finish, 322.5 mm lg, 248.6 mm wd, 94.1 mm h, w/various holes	A4039891	1	

Item No.	DMC	NATO STOCK NUMBER	ITEM NAME AND DESCRIPTION	PART NO./ DRAWING NO.	No off	Remarks
15	7BD	2540-99-051-9814	BRACKET, VEHICULAR BUMPER, for lh side of front bumper, steel, black painted finish, 322.5 mm lg, 248.6 mm wd, 94.1 mm h, w/various holes	A4039892	1	
16	7BD	2990-99-535-6912	SWITCH, ENGINE TEMPERATURE, AUTOMOTIVE	A4040279	1	
17	7BD	6685-12-311-7686	TRANSMITTER, PRESSURE, 0-80 psi range, 77 mm o/a lg, 44.5 mm dia, threaded 1/8-27 NPTF	A4021323	1	
18	7BD	6680-99-373-9735	SENDER UNIT, type D, 487 mm lg	A4031922	1	
19	6MT13	2540-99-452-6157	PINTLE ASSEMBLY, TOWING, swivel type, 5½ in w, 7½ in o/a h, c/w latch locking pin and chain	FV987957	1	
20	G1	5306-99-941-0362	BOLT, MACHINE, UNF, s/steel, hex hd, zinc plated, 5/8 in x 3 in lg, class 2A thd	BS1768	4	
21		NP	NUT	0121358	4	
22	G1	5305-99-135-0424	SCREW, MACHINE, steel, zinc plated, pan hd, slot drive, iso, M4 x 0.70 pitch, class 6G thd, 16mm lg	BS4183-1967	8	
23	G1	5310-99-122-5643	NUT, SELF-LOCKING, HEXAGON, iso, steel nut, plastics insert, zinc plated, 4 mm dia x 0.70 mm pitch, 7 mm w a/f, 4.8 mm o/a h	BS4929	8	
24	G1	5310-99-203-6405	WASHER, LOCK, steel, split helical ring, M6 x 9.6 mm od, 1.5 mm thk	BS4464	8	
25	G1	5305-99-122-8579	SCREW, CAP, HEXAGON HEAD, M6, iso, steel, 16 mm o/a lg, class 6G thd	BS3692	8	
26	G1	5310 99 122 5295	NUT, PLAIN, HEXAGON, iso, steel, chamfered, zinc plated, M6 x 1.00 mm pitch, 10 mm max wd a/f, 5 mm max h, class 6H thd	BS3692	8	
27	7BD	2540-99-832-9017	PAD, PEDAL, slipover type, rubber wear surface, rect pad, 3-11/32 in lg, 2-27/64 in w, 3/4 in thk	6315014	2	
28		NP	DURLOC BOLT	A4039669	8	
29		NP	NUT, M12 x 1.75 mm pitch	A4039670	8	
30	7BD	2510-99-874-1258	MOUNT, RESILIENT, rubber /steel, 4-15/32 in x 3-1/64 in x 1-3/32 in o/a dimensions	6330780	2	
31	7BD	2510-99-874-0766	MOUNT RESILIENT, rubber /steel, 4-15/32 in x 3 in x 1-5/8 in o/a dimensions	6344756	2	

Item No.	DMC	NATO STOCK NUMBER	ITEM NAME AND DESCRIPTION	PART NO./DRAWING NO.	No off	Remarks
32	7BD	2910-99-820-2041	BUSH, THROTTLE ROD, nylon, 5/16 in id, 31/64 in max od, 29/64 in o/a lg	7187583	2	
33	G1	5310-99-122-6475	WASHER, FLAT, steel, zinc plated, rd hole, M8, 17.00 mm od, 1.60 mm thk	BS4320	3	
34		NP	PIN, LOCK	91033745	2	
35	G1	5306-99-941-0215	BOLT, MACHINE, UNF, steel, hex hd, ½ in dia, 2½ in lg, class 2A thd	BS1768	4	
36	G1	5310-99-122-6476	WASHER, FLAT, steel, rd, zinc plated, rd centre hole, M10, 21.00 mm od, 2.00 mm thk	BS4320	2	
37	7BD	5310-99-821-9997	WASHER, LOCK	9902272	2	
38	G1	5305-99-136-1740	SCREW, TAPPING, THREAD FORMING, steel, hex hd, dog point, no.14, ¾ in lg	188760 BS4174		Terex
39	6MT1	5365-99-914-0215	RING RETAINING, ext application, 21/32 in od, 1/32 in thk for 3/8 in dia shaft, cadmium plated finish	6368455 BS3673 P12	1	
40		NP	PIPE, RADIATOR OVERFLOW	91004661	1	
41		NP	HARNESS	A4039820	1	
42		NP	HARNESS	A4039821	1	
43		NP	EARTH LEAD	No part no.	2	
44		NP	OLIVE, AIR GAUGE	No part no.	2	
45		NP	NUT, AIR GAUGE	No part no.	2	
46			HEADLIGHT, 163.5 mm o/a lg, 24V, 1 plain dome lens, colourless, screw mtg, w/ cable assembly, (RHD)	A4028302	2	
47		NP	HEADLIGHT AND HARNESS ASSEMBLY, 24V, (LHD)	A4028303	2	
48		NP	CAB SHELL, (RHD)	A4037832	1	
49		NP	CAB SHELL, (LHD)	A4037833	1	
50	7BD	4730-99-874-0756	INVERTED NUT, TUBE COUPLING, steel, ½ in x 20 UNF, 0.312 in id, 0.500 in a/f, 0.750 in o/a lg	6336891	2	
51		NP	TUBING, nylon, 3/16 in od, 5 m lg	No part no.	1	
52	6MT1	5340-99-618-3776	STRAP, LINE SUPPORTING, plastics, strap & buckle, 15 in lg, 3/16 in w, 1/16 in thk	T50L	20	Hellerman
53		NP	SHAFT ASSEMBLY, FLEXIBLE, (tachometer cable)	No part no.	1	
54	7BD	4730-99-930-8875	COUPLING, TUBE, plain, unthd int tube, 0.250 in od tube, 35.6 mm lg, 13 mm od & push in fitting	A4010119	1	
55	7BD	4730-99-356-7547	COUPLING, TUBE, plain, unthd int tube, 0.375 in od tube, 44.1 mm lg, 17mm od & push-in fitting	A4010120	2	

MOD INSTR NO. 23

Item No.	DMC	NATO STOCK NUMBER	ITEM NAME AND DESCRIPTION	PART NO./ DRAWING NO.	No off	Remarks
1	7BD	2910-99-051-6319	TANK, FUEL, ENGINE, c/w filler cap, chain and sender unit	91137226	1	
	7BD	2910-99-839-7037	FITTING KIT, fuel tank, comprising 15 items, some in multiples	MAE12-2001 91126341	1	
2	7BD	4710-99-942-4715	PIPE, nylon	91119178	2	
3	46MT1	4730-99-835-0703	INVERTED NUT, TUBE COUPLING, brass, 19 mm a/f, 16.5 mm thk, M18 x 1.5 thd, 12 mm tube size	91064682	6	
4	46MT1	4730-99-831-9967	SLEEVE, COMPRESSION, TUBE-HOSE FITTING, brass, for 12 mm od pipe, 7.6 mm o/a lg	91064681	6	
5		NP	NUT	91089146	2	
6		NP	OLIVE	91087456	2	
7	7BD	2590-99-978-2581	ADAPTER	91104757	2	
8	7BD	4730-99-192-0235	ADAPTOR, STRAIGHT, PIPE TO TUBE, copper alloy, 1 st end threaded internal pipe, BSP.F, 0.375 in 1 st end, 51.00 mm lg, 2 nd end 12 mm od	91106516	1	
9	46MT1	5330-99-881-2905	GASKET, copper, rd, 0.66 in id, 0.825 in od, 0.06 in thk	48-0213-03	2	I M I Norgren
10	7BD	4820-99-978-1716	VALVE, BALL	91106517	1	
11	7BD	4730-99-172-9260	ADAPTOR, STRAIGHT, PIPE	91104549	1	
12	7BD	4730-99-352-4622	ELBOW, TUBE, copper alloy	91104790	1	
13	7BD	2590-99-978-1715	HANDLE & LEVER ASSY	91108316	1	
14	7BD	5315-99-570-5835	PIN, SPRING, steel, phosphate black, 3.3 mm dia, 12 mm lg, 0.6 mm material thk	11077161	1	
15	7BD	4730-99-839-7350	ADAPTOR, STRAIGHT, PIPE	91104756	1	
16	G1	5306-99-122-4911	BOLT, MACHINE, hex hd, M10 x 30 mm lg	BS3692	1	
17	G1	5310-99-122-5297	NUT, PLAIN, HEXAGON, M10	BS3692	1	
18	G1	5310-99-135-9303	WASHER, LOCK, steel, split helical ring, cadmium plated, M10, 15.90 mm od, 2.50 mm thk	BS4464	1	
19	G1	5310-99-122-8067	WASHER, FLAT, steel, cadmium plated, rd hole, 10.9 mm max dia, 21 mm max od, 2.2 mm max thk	BS4320	1	
20	7BD	2910-99-748-0396	BRACKET, FUEL TANK STOP, steel, welded assembly	91005739	1	
21	7BD	7690-99-215-7592	LABEL, plastics, square, adhesive, 36.5 mm max lg, 36.5 mm max wd, singular, off "crescent arrow" on fuel valve	91043914	1	

Item No.	DMC	NATO STOCK NUMBER	ITEM NAME AND DESCRIPTION	PART NO./ DRAWING NO.	No off	Remarks
22	7BD	6150-99-300-6280	WIRING HARNESS, BRANCHED, 2 branches, 2 conductors, all ends terminated, 600 mm approx o/a lg	91136989	1	

MOD INSTR NO. 24

Item No.	DMC	NATO STOCK NUMBER	ITEM NAME AND DESCRIPTION	PART NO./ DRAWING NO.	No off	Remarks
1	G2	9530-99-965-0243	BAR, METAL, copper alloy, rd, 10 mm od, weight 0.67 kg/m, bulk supply	S2874-CZ121-B3-M-10MMOD	130 mm	
2	G1	5310-99-122-5297	NUT, PLAIN, HEXAGON, steel, chamfered, zinc plated, M10 x 1.50 mm pitch, 17.00 mm w a/f, 8.00mm o/a h, class 6H thd	BS3692	2	
3	G1	5310-99-127-6119	WASHER, LOCK, steel, flat internal teeth, zinc plated, 10 mm nom bolt size, 11/16 in od, 1/32 in matl thk	11010031	2	

PART NUMBERS OF ITEMS ASSOCIATED WITH GENERAL INSTRUCTIONS

GEN INSTR NO. 1

Item No.	DMC	NATO STOCK NUMBER	ITEM NAME AND DESCRIPTION	PART NO./ DRAWING NO.	No off	Remarks
1	G1	5310-99-125-0077	WASHER, FLAT, steel, rd shape, rd hole, 10.50 mm id, 18.00 mm od, 1.60 mm thk	DIN433-10, 5-140HV	4	
2	G1	5310-99-139-2381	NUT, SELF-LOCKING, HEXAGON, iso, steel, zinc plated, all metal design, M10 x 1.50 mm pitch, 17.0 mm w a/f x 11 mm o/a h	91111145 BS4929 Part 1	4	

GEN INSTR NO. 2 – Later pattern stores

Item No.	DMC	NATO STOCK NUMBER	ITEM NAME AND DESCRIPTION	PART NO./ DRAWING NO.	No off	Remarks
1	7BD	2990-99-839-5308	PIPE ASSEMBLY, w/soldered flange, 12 mm thk, turbocharger oil drain, upper	91027995 revision 1	1	
2	G1	5305-99-122-5367	SCREW, CAP, HEXAGON HEAD, steel, zinc plated w/chromate, M8 x 1.25 thd pitch x 25 mm lg	BS3692 table 6	2	
3	7BD	5305-12-337-6987	SCREW, CAP, HEXAGON HEAD	11041683	2	

GEN INSTR NO. 2 – Early pattern stores

Item No.	DMC	NATO STOCK NUMBER	ITEM NAME AND DESCRIPTION	PART NO./ DRAWING NO.	No off	Remarks
4	7BD	2990-99-763-5346	PIPE ASSEMBLY, w/soldered flange, 12 mm thk, turbocharger oil drain, upper	91027995 revision 1	1	
5	G1	5305-99-977-4949	SCREW, MACHINE, M8 x 1.2 mm thd pitch x 22 mm lg	BS3692	2	
6	G1	5305-99-122-5257	SCREW, CAP, HEXAGON HEAD, M8 x 1.25 mm thd pitch x 55 mm lg	BS3692-1967	2	

GEN INSTR NO. 2 – Stores or suitable equivalent to be obtained locally

Item No.	DMC	NATO STOCK NUMBER	ITEM NAME AND DESCRIPTION	PART NO./ DRAWING NO.	No off	Remarks
7	7BD	5330-99-763-5347	GASKET, asbestos, 21.50 mm max id, 1.00 mm thk, 2 bolt holes, 70.80 mm o/a w	91029450	1	

GEN INSTR NO. 3

Item No.	DMC	NATO STOCK NUMBER	ITEM NAME AND DESCRIPTION	PART NO./ DRAWING NO.	No off	Remarks
22		NP	SEALING COMPOUND, quick drying, non-flammable gel, resistant to hydrocarbon fuels, lubricants & their combustion products, temp range -40C to 250C, 45 gram tube	olden Hermetite 7431019	AR	Hammerite Products
23	H1	8030-99-225-0249	SEALANT, low strength, high viscosity, thixotropic pipe sealant with PTFE, to seal threads against water, oil etc, colour white, 50 ml quantity	LOCTITE 572	AR	Loctite
24	H1	8030-99-224-0759	SEALING COMPOUND, nf wellseal, 3-3/4 oz tube	DTD 900/6054 AFS 1670	AR	

GEN INSTR NO. 6**Old items**

Item No.	DMC	NATO STOCK NUMBER	ITEM NAME AND DESCRIPTION	PART NO./ DRAWING NO.	No off	Remarks
1		NP	COVER ASSEMBLY, TRANSFER BOX	91048404	1	
2	7BD	5330-99-832-9292	GASKET, asbestos, irregular shape, 0.43 mm x-sect thk, 10 holes, 10.7 mm dia hole, double orifice, 255 mm lg, 160 mm wd	91056138	2	
3	7BD	2520-99-814-0085	COVER ASSEMBLY, TRANSFER BOX	8821382	1	
4		NP	COVER ASSEMBLY, REAR	2718157	1	
5	7BD	5330-99-874-0937	GASKET, paper, irregular shape, 9-7/8 in max lg, 5-3/4 in max w, 1/64 in thk	7154614	1	
6		NP	FRONT COVER ASSEMBLY, power take off	8821392	1	
7	7BD	2520-99-874-0860	GASKET, paper, irregular shape, 6-41/64 in lg, 4-1/2 in w	6381563	1	

New items

Item No.	DMC	NATO STOCK NUMBER	ITEM NAME AND DESCRIPTION	PART NO./ DRAWING NO.	No off	Remarks
8	7BD	2520-99-839-5397	HOUSING, MECHANICAL DRIVE, input pinion shaft cover w/oil seal assembled	91116695	1	
9	7BD	2520-99-839-5398	HOUSING, MECHANICAL DRIVE, layshaft front cover w/2 oil seals assembled	91116697	1	
10	7BD	2520-99-839-5399	HOUSING, MECHANICAL DRIVE, transfer box rear cover w/seal assembled	91116702	1	
11	7BD	2520-99-839-5400	HOUSING, MECHANICAL DRIVE, pto front cover w/oil seal & blanking cap assembled	91116700	1	

Item No.	DMC	NATO STOCK NUMBER	ITEM NAME AND DESCRIPTION	PART NO./ DRAWING NO.	No off	Remarks
12	9AHY	5330 99 748 9983	GASKET FORMING COMPOUND, 160 millilitre cartridge, 200 deg c continuous operating temp, 850-1140 psi tensile strength (aluminium parts)	LOCTITE 510	AR	Loctite

GEN INSTR NO. 11

Item No.	DMC	NATO STOCK NUMBER	ITEM NAME AND DESCRIPTION	PART NO./ DRAWING NO.	No off	Remarks
1	7BD	2990-99-763-6032	SUPERCHARGER, exhaust gas driven, flange mounted, turbocharger	91028690	1	Holset H1B
2	6MT12	2990-99-793-2021	SUPERCHARGER, exhaust gas driven, flange mounted, turbocharger	91028716	1	Airsearch T35
3	7BD	2990-99-742-7885	ADAPTOR, OIL FEED, turbocharger, 16 mm x 1.5 mm pitch female thd 1 st end, 12 mm x 1.5 mm pitch female thd and 2 fixing holes 9.5 mm dia 2 nd end	91034178	1	
4		5330-99-832-7214	GASKET, asbestos/rubber, 55.1 mm lg, 30 mm w, 1 mm (nom) thk, 1 hole 16 mm dia	91035429	1	
5		2940-99-763-6037	ADAPTOR, PIPE, OIL FEED, flanged inlet, M16 x 1.5 pitch 6H int thd outlet, 2 fixing holes	91034139	1	
6	7BD	5330-99-763-5347	GASKET, asbestos, 21.50 mm max id, 1.00 mm thk, 2 bolt holes, 70.80 mm o/a wd	91029450	1	

GEN INSTR NO. 14

Item No.	DMC	NATO STOCK NUMBER	ITEM NAME AND DESCRIPTION	PART NO./ DRAWING NO.	No off	Remarks
-		NP	EARTH LEAD	91132738	2	

GEN INSTR NO. 15

Item No.	DMC	NATO STOCK NUMBER	ITEM NAME AND DESCRIPTION	PART NO./ DRAWING NO.	No off	Remarks
-	X5	6240-99-995-9811	LAMP, FILAMENT, 24V, 1W, SBC clear	285	AR	Thorn

GEN INSTR NO. 16

Item No.	DMC	NATO STOCK NUMBER	ITEM NAME AND DESCRIPTION	PART NO./ DRAWING NO.	No off	Remarks
-	7BD	2530-99-825-1735	BRAKE SHOE SET, INTERNALLY ACTUATED, front wheel	91008704	AR	Capasco HF39. Don 262 mtrl or equivalent

Item No.	DMC	NATO STOCK NUMBER	ITEM NAME AND DESCRIPTION	PART NO./ DRAWING NO.	No off	Remarks
-	7BD	2530-99-813-9910	LINING KIT, BRAKE, 2 linings, 16.342 in lg, 4.180 in w, 0.489 in thk, 2 linings, 16.570 in lg, 4.180 in w, 0.269 in thk, 16 in drum dia, 64 rivets	8830587	AR	Capasco HF39.Don 262 mtrl or equivalent
-	7BD	2520-99-827-3194	BRAKE SHOE SET, INTERNALLY ACTUATED	91008706	AR	Capasco HF39.Don 262 mtrl or equivalent
-	7BD	2530-99-814-0013	LINING KIT, BRAKE, linings and rivets, rear brakes	8830593	AR	Capasco HF39.Don 262 mtrl or equivalent

GEN INSTR NO. 17

Item No.	DMC	NATO STOCK NUMBER	ITEM NAME AND DESCRIPTION	PART NO./ DRAWING NO.	No off	Remarks
1	6MT1	6680-99-833-7449	SHAFT ASSEMBLY, FLEXIBLE, 110 in lg	13045269	1	White S S Industrial

GEN INSTR NO. 18

Item No.	DMC	NATO STOCK NUMBER	ITEM NAME AND DESCRIPTION	PART NO./ DRAWING NO.	No off	Remarks
1	7BD	6150-99-859-1844	LEAD AND CONDUIT ASSEMBLY, ELECTRICAL	A4040951	1	
2	7BD	6680-99-535-6913	TRANSMITTER, LIQUID QUANTITY, u/o fuel sender unit	A4040952	1	
3	7BD	5975-99-126-4974	JUNCTION BOX	A4040956	1	
4	Z1	5340-99-970-2330	STRAP, LINE SUPPORTING, nylon, 4-11/16 in lg x 3/16 in w x 3/64 in thk	LK2	1	Hellerman

GEN INSTR NO. 19

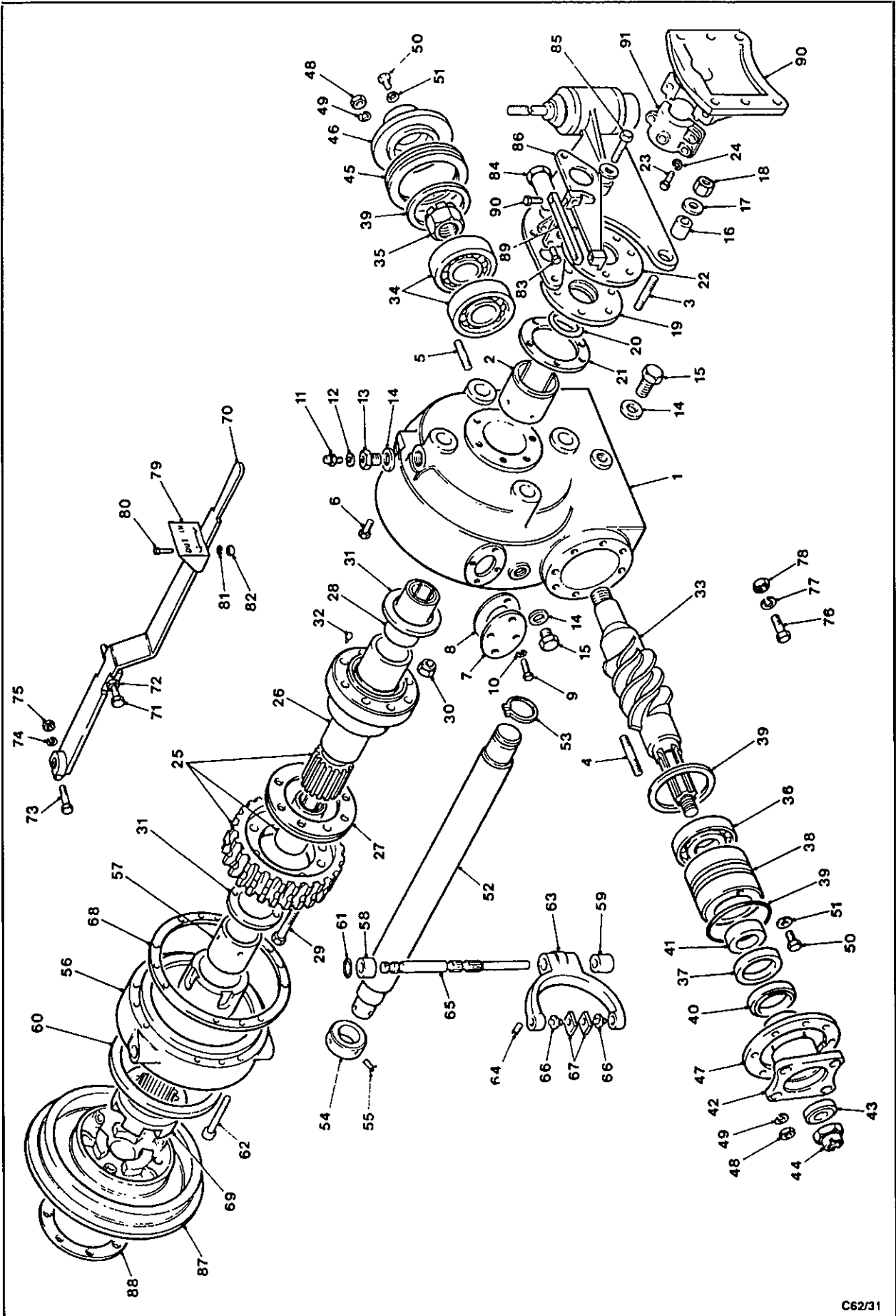
Item No.	DMC	NATO STOCK NUMBER	ITEM NAME AND DESCRIPTION	PART NO./ DRAWING NO.	No off	Remarks
-	7BD	2510-99-301-8206	PANEL, BODY, VEHICULAR, used on Bedford MJ front panel to produce either lh drive or rh drive variant	A4041369	1	

PART NUMBERS OF MISCELLANEOUS ITEMS

Item No.	DMC	NATO STOCK NUMBER	ITEM NAME AND DESCRIPTION	PART NO./ DRAWING NO.	No off	Remarks
-	6MT12	2910-99-807-7239	STRAINER ELEMENT, SEDIMENT, wire mesh, round (basically flat), 2.114 in od, 0.025 in thk, (gauze filter on fuel lift pump)	1537387	1	Delphi Chassis

CHAPTER 1-4

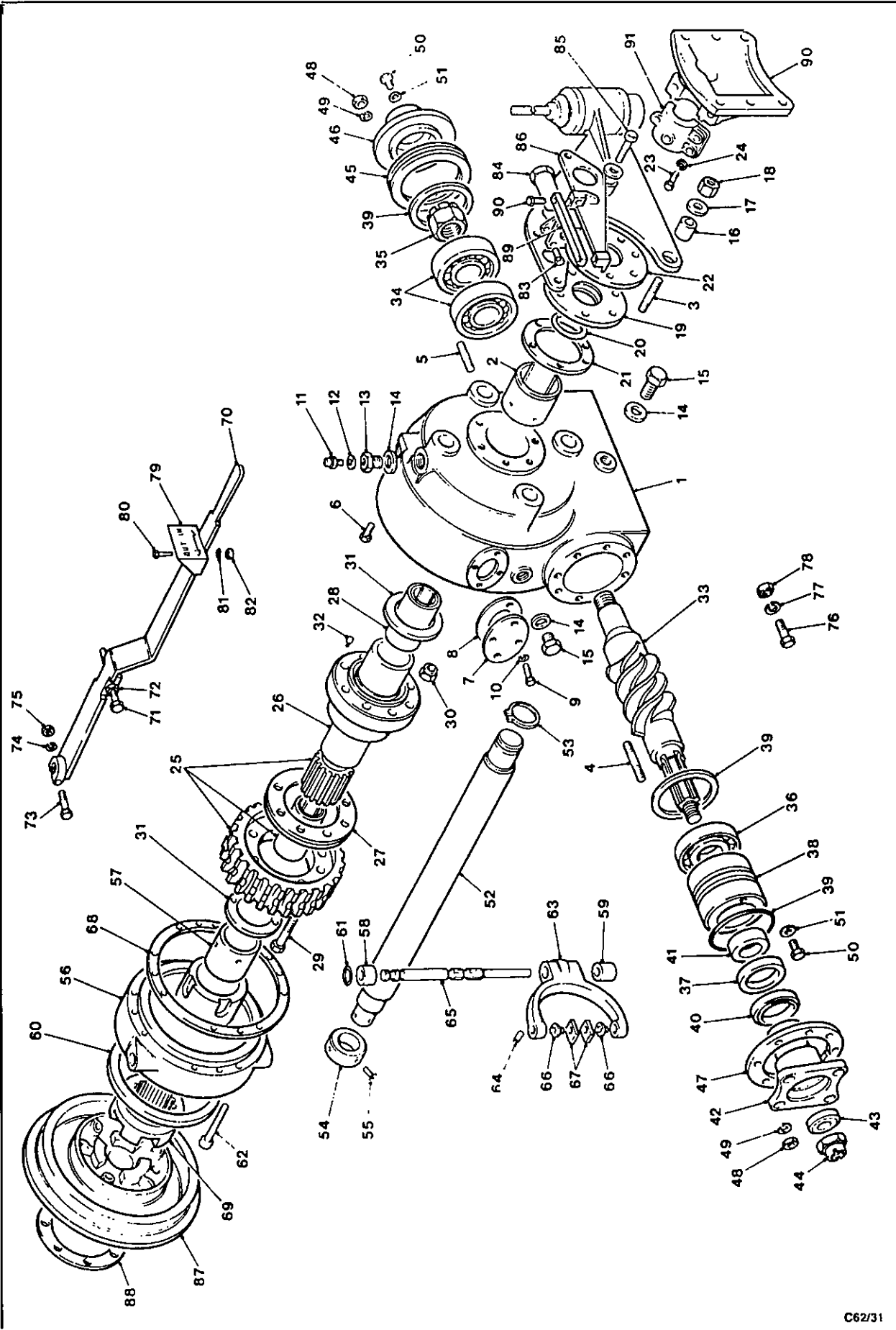
Winch parts list for the TRUCK, 4 TONNE, BEDFORD MJ – ALL VARIANTS



C62/31

Fig 1 Winch worm gear and clutch

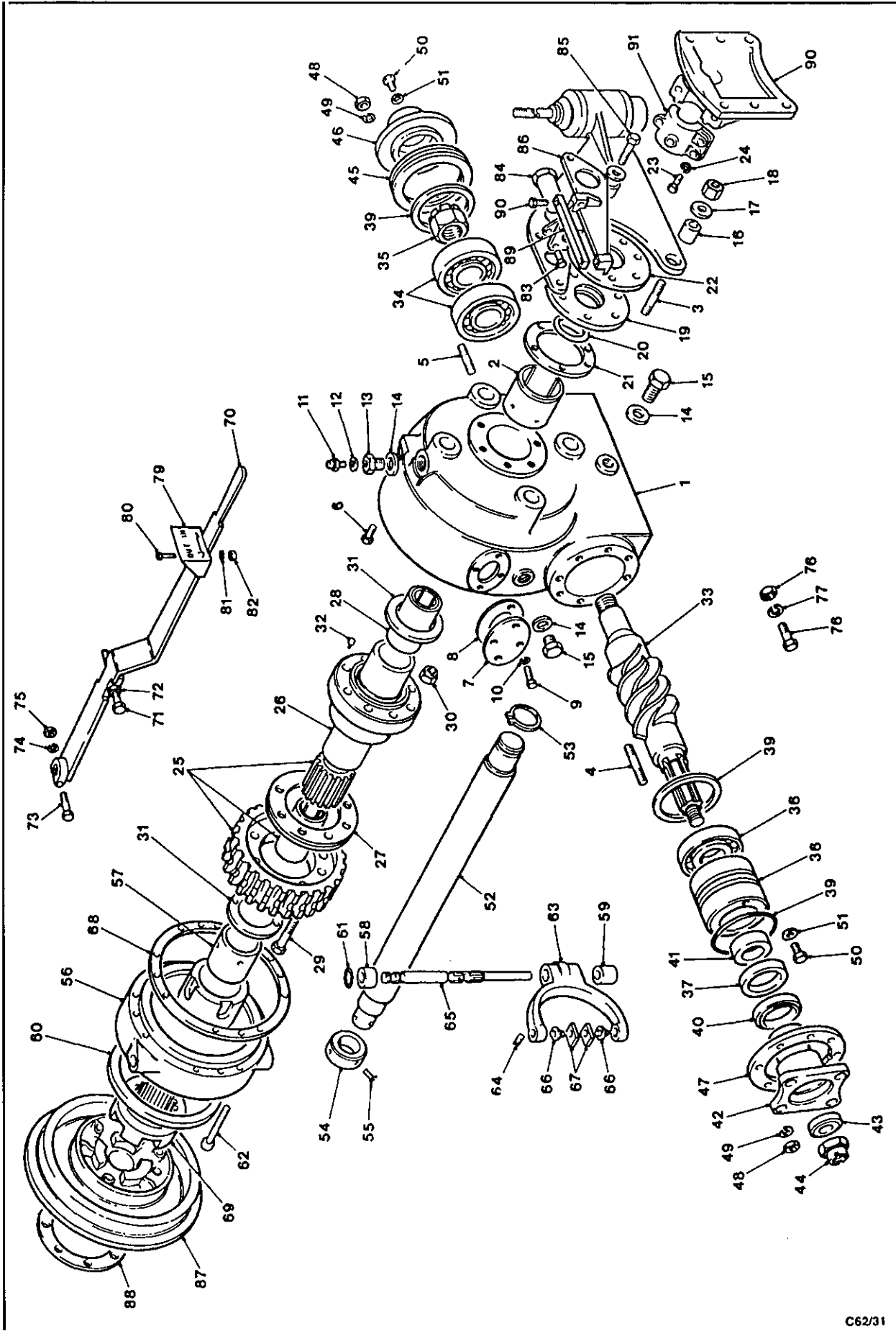
FIG ITEM	MAN CODE NAVY - N ARMY - A RAF - R	NATO STOCK NUMBER	ITEM NAME AND DESCRIPTION	PART NO./ DRAWING NO.	NO. OFF	ANNOTATIONS
Fig 1						
1-6		NP	WINCH -			
2	A	7TWG	..WINCH ASSEMBLY	AWG10502	1	
		NP	..WORMCASE ASSEMBLY	BWG10555	1	
3	A	G1	..BEARING, SLEEVE: winch mainshaft	DWG10504	1	
			...STUD, PLAIN, UNC/UNF, steel, 5/8 in. x 3 in. o/a lg		3	Winch torque member
4	A	7TWG	...STUD, PLAIN: plate retaining	FV156691	8	
5	A	7TWG	...STUD, PLAIN: end cap, winch case	FV156692	8	
6	A	G1	...PIN, GROOVED, HEADED, steel, round hd, 1/16 in. dia x 1/4 in. lg		4	
8	A	7TWG	..GASKET: inspection hole cover	EWG10580	1	
9	A	G1	..SCREW, MACHINE, UNC, steel, hex hd, zinc coated, 1/4 in. x 3/4 in. lg		4	
10	A	G1	..WASHER, LOCK, steel, single coil, sq sect., 1/4 in.		4	
11	A	6MT1	..VALVE, AIR PRESSURE RELIEF, GEAR HOUSING		1	
12	A	6MT1	..WASHER, FLAT, aluminium, .395 in. id x 9/16 in. od x 0.080 in. thk	AGS1138A	1	
13	A	7TWG	..INSERT, SCREW, THREAD: breather	209213	1	
14	A	7TWG	..WASHER, FLAT, special	AGS1138F	3	
15	A	6MT1	..PLUG, PIPE, BSP, 3/4 in.		2	
17	A	7TWG	..WASHER, FLAT, steel, 1-3/4 in. od, 21/32 in. dia hole	433E8919	3	Torque arm
18	A	G1	..NUT, SELF-LOCKING, HEXAGON, UNF, steel, nylon insert, cadmium plated, 5/8 in.		3	
19	A	7TWG	..RETAINER, OIL SEAL: winch shaft	CWG10522	1	
20	A	6MT1	..RING, SEALING, TOROIDAL, rubber, 3-11/16 in. x 3/16 in., 90° shore hardness		1	
21	A	7TWG	..GASKET: oil seal housing, winch shaft	DWG10592	1	
23	A	G1	..SCREW, MACHINE, UNC, steel, hex hd, zinc coated, 3/8 in. x 1-1/4 in. lg		6	
24	A	G1	..WASHER, LOCK, steel, single coil, sq sect., 3/8 in.		6	
25-27		NP	..SHAFT, WORMWHEEL ASSEMBLY	BWG10666	1	
28	A	7TWG	..BUSHING, SLEEVE	DWG10516	2	
29	A	G1	..BOLT, MACHINE, UNF, steel, hex hd, zinc coated, 5/8 in. x 3 in.		8	
30	A	G1	..NUT, SELF-LOCKING, HEXAGON, UNF, steel, nylon insert, cadmium plated, 5/8 in.		8	
31	A	7TWG	..WASHER, THRUST	DWG10509	2	
32	A	7TWG	..PIN, SHOULDER, HEADLESS: worm gear thrust	EWG3348	4	
33	A	7TWG	..WORMSHAFT, WINCH	FV156658	1	
34	A	6MT7	..BEARING ASSEMBLY, TAPERED ROLLER, 2 in. id x 4-7/8 in. od x 1-7/16 in. w		2	
35	A	7TWG	..NUT, CASTELLATED, HEXAGON: retaining bearing wormshaft	FV156674	1	
36	A	6MT7	..BEARING ROLLER, 50 mm id x 110 mm od x 27 mm w		1	



C62/31

Fig 1 Winch worm gear and clutch

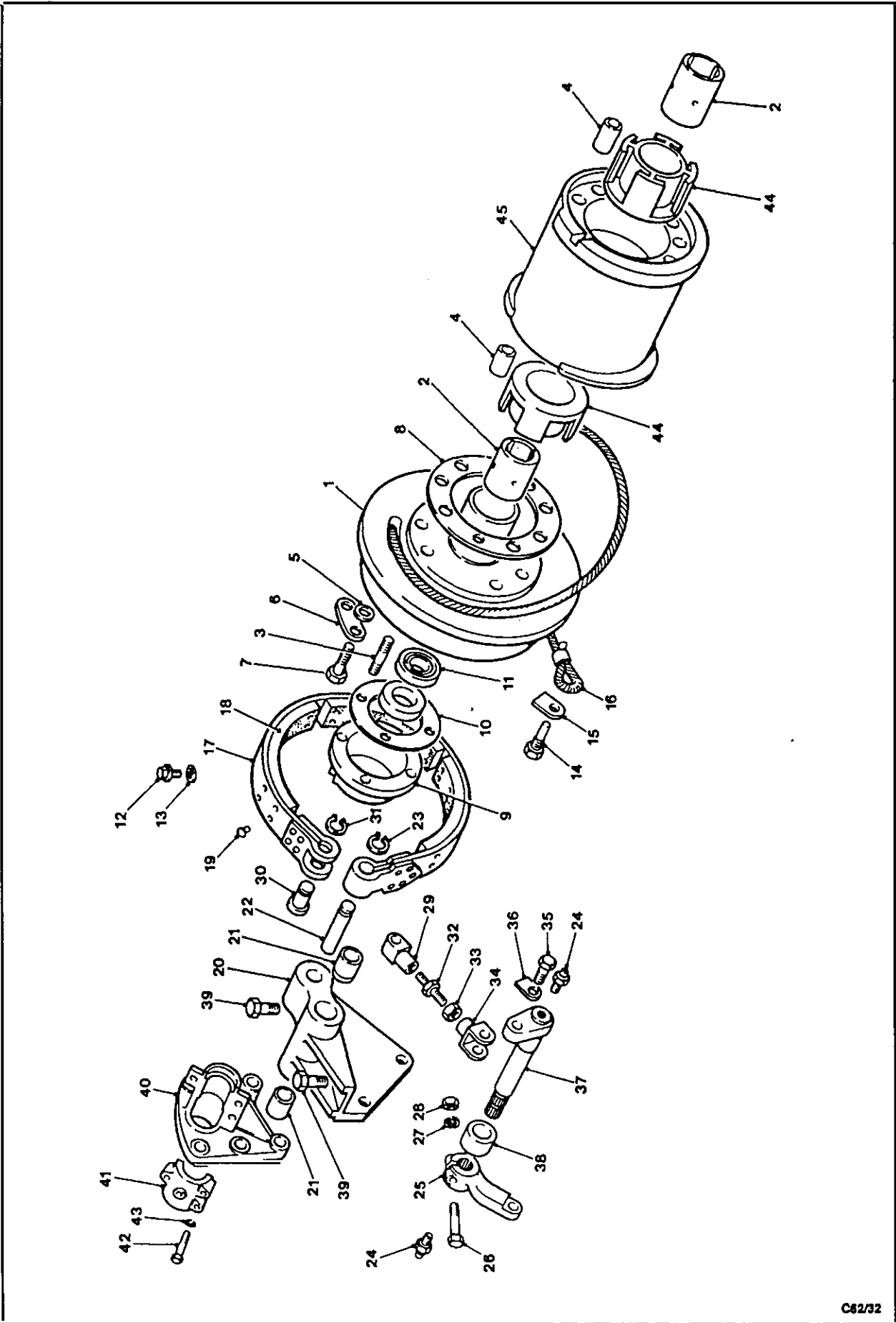
FIG ITEM	MAN CODE NAVY - N ARMY - A RAF - R	NATO STOCK NUMBER	ITEM NAME AND DESCRIPTION	PART NO./ DRAWING NO.	NO. OFF	ANNOTATIONS
Fig 1			WINCH - contd			
37	A	7TWG	5330-99-814-8515	10598	1	
38	A	7TWG	2590-99-848-0279	FV156664	1	
39	A	6MT1	5330-99-801-6672		3	
40	A	6MT1	5330-99-408-4667		2	
41	A	7TWG	5340-99-848-0292	FV156688	1	
42	A	7TWG	2590-99-848-0309			
43	A	7TWG	5310-99-848-0288	FV156838	1	
44	A	7TWG	5310-99-848-0257	FV156682	1	
			..NUT, SLEEVE: retaining drive flange	FV156540	1	
NI	A	7TWG	5340-99-848-0289	FV156683)	
45	A	7TWG	5340-99-848-0290	FV156684)AR	
NI	A	7TWG	5340-99-848-0291	FV156685)	
46	A	7TWG	2590-99-848-0280	FV156665	1	
47	A	6MT9	2590-99-848-0286			
48	A	G1	5310-99-941-0930	FV156675	1	
49	A	G1	5310-99-941-6660		16	
50	A	6MT1	5365-99-801-0903		16	
51	A	6MT1	5310-99-120-2394		2	
53	A	6MT1	5365-99-910-8212	A951138A	2	
54	A	7TWG	3040-99-874-1049		1	Mainshaft
55	A	G1	5305-99-101-8357	10517	1	Brake drum
			..SCREW, CAP, SOCKET HEAD, UNF, steel, flat fillistered hd, 3/8 in. x 3/4 in.		3	
56-59		NP	..CLUTCH CASE ASSEMBLY -	AWG10559	1	
57	A	7TWG	3120-99-874-1047	DWG10504	1	
58	A	7TWG	3120-99-848-0674			
59	A	7TWG	3120-99-848-0693	DWG2413	1	
60	A	6MT1	5330-99-881-8176	DWG2483	1	
61	A	6MT1	5330-99-801-6807		1	
62	A	G1	5305-99-814-8516	TGS246/C/3-3/4	8	
63	A	7TWG	3040-99-814-8517	CWG1053	1	
64	A	G1	5305-99-941-3084		1	
65	A	7TWG	3040-99-814-8518		1	
66	A	7TWG	5315-99-874-1043	CWG10512	1	
67	A	7TWG	2590-99-874-1044	EWG3236	2	
68	A	7TWG	2590-99-874-1059	EWG3237	2	
69	A	7TWG	2590-99-874-1048	CWG10593	1	
			..CLUTCH, HALF, POSITIVE	BWG10514	1	
70	A	7TWG	2590-99-825-0025	FV209926	1	
71	A	G1	5305-99-941-0549			
			..LEVER, CONTROL, HAND			
			..SCREW, MACHINE, UNF, steel, hex hd, zinc coated, 3/8 in. x 2-1/2 in. lg		1	Adjusting screw
72	A	G1	5310-99-941-0904		1	
			..NUT, PLAIN, HEXAGON, UNF, steel, zinc coated, 3/8 in.		1	



C62/31

Fig 1 Winch worm gear and clutch

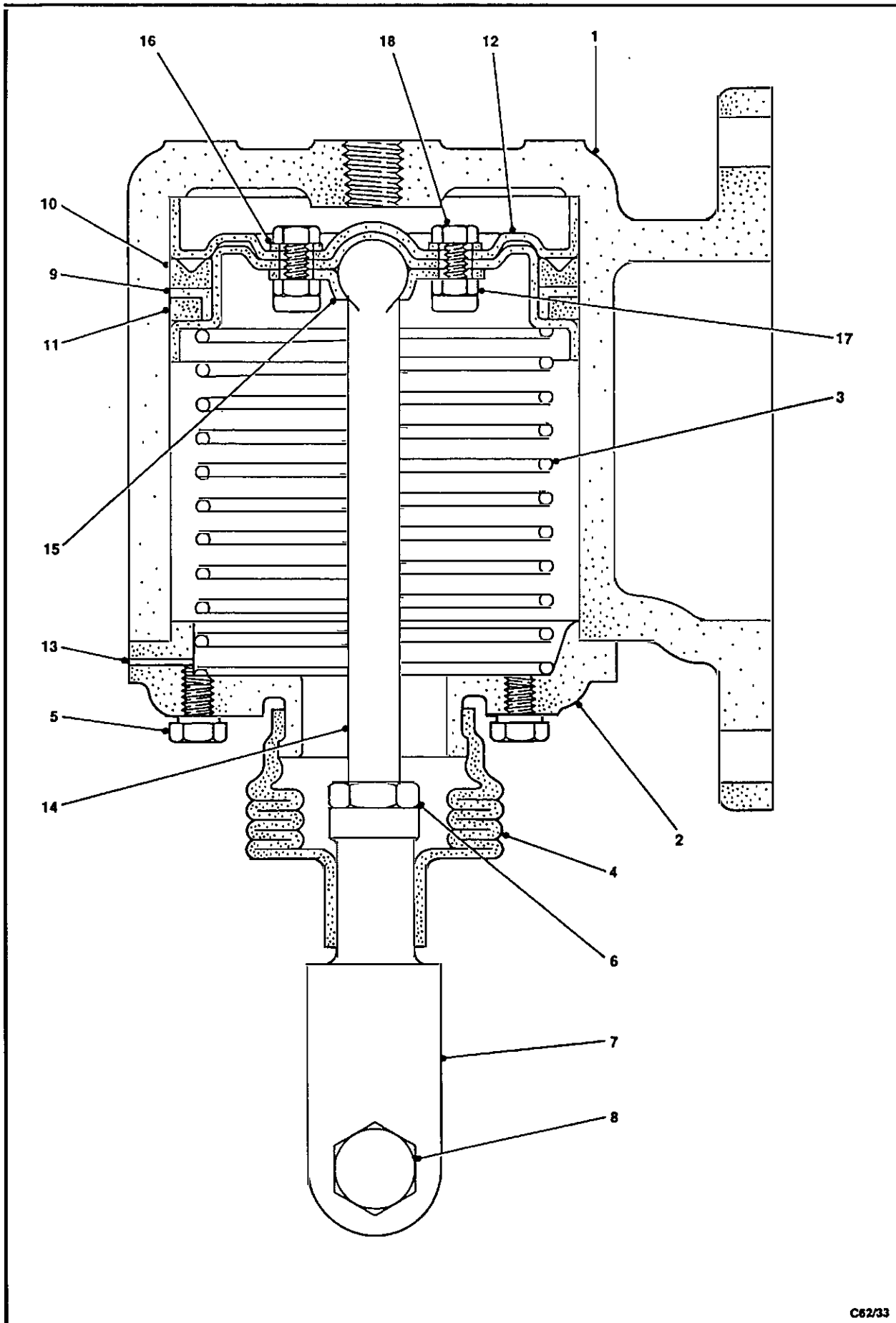
FIG ITEM	MAN CODE NAVY - N ARMY - A RAF - R	NATO STOCK NUMBER	ITEM NAME AND DESCRIPTION	PART NO./ DRAWING NO.	NO. OFF	ANNOTATIONS
Fig 1						
73	A G1	5306-99-941-0316	WINCH - contd ..WINCH ASSEMBLY - contd ..BOLT, MACHINE, UNF, steel, hex hd, zinc coated, 3/8 in. x 2-1/4 in. lg		1	Pinch bolt
74	A G1	5310-99-941-6656	..WASHER, LOCK, steel, single coil, sq sect., 3/8 in.		1	
75	A G1	5310-99-941-0926	..NUT, PLAIN, HEXAGON, UNF, steel, zinc coated, 3/8 in.		1	Stop screw
76	A G1	5306-99-941-0312	..BOLT, MACHINE, UNF, steel, hex hd, zinc coated, 3/8 in. x 1-3/8 in. lg		1	
77	A G1	5310-99-941-6656	..WASHER, LOCK, steel, single coil, sq sect., 3/8 in.		1	
78	A G1	5310-99-941-0904	..NUT, PLAIN, HEXAGON, UNF, steel, 3/8 in.		1	
80	A G1	5305-99-941-0513	..SCREW, MACHINE, UNF, steel, hex hd, zinc coated, 1/4 in. x 3/4 in. lg		2	
81	A G1	5310-99-941-6654	..WASHER, LOCK, steel, single coil, sq sect., 1/4 in.		2	
82	A G1	5310-99-941-0924	..NUT, PLAIN, HEXAGON, UNF, steel, zinc coated, 1/4 in.		2	
83	A G1	5305-99-945-2106	..SCREW, CAP, SOCKET HEAD, UNF, flat fillistered hd, zinc coated, 1/4 in. x 3/4 in.		2	
84	A 7TWG	3040-99-814-8520	..TENSIONER, WINCH ASSEMBLY	DWG10680	1	
85	A G1	5306-99-941-0313	..BOLT, MACHINE, UNF, steel, hex hd, zinc coated, 3/8 in. x 1-1/2 in. lg		2	
NI	A G1	5310-99-941-0926	..NUT, PLAIN, HEXAGON, UNF, steel, zinc coated, 3/8 in.		2	
86	A 6MT9	2590-99-802-1208	..VALVE, AIR CONTROL, WINCH TENSIONER	259456FV	1	
87	NI A	NP 3120-99-814-8513	..FLANGE, CLUTCH END ASSEMBLY ...BUSHING, SLEEVE	BWG10667 DWG10516	1	
88	A 7TWG	2590-99-874-1061	..GASKET: clutch flange	EWG10595	2	
NI	A G1	5305-99-941-3649	..SCREW, GRUB, UNF, steel, socket drive, cup point 1/4 in x 3/4 in. lg		1	
NI	A 6MT10	2520-99-817-0839	..SHAFT, PROPELLER, 2 in. dia tube, 23-3/16 in. o/a lg	2701860	1	
NI	A 6MT10	2520-99-836-8503	..PARTS KIT, UNIVERSAL JOINT	K5GB10	1	



C62/32

Fig 2 Winch brake and drum assembly

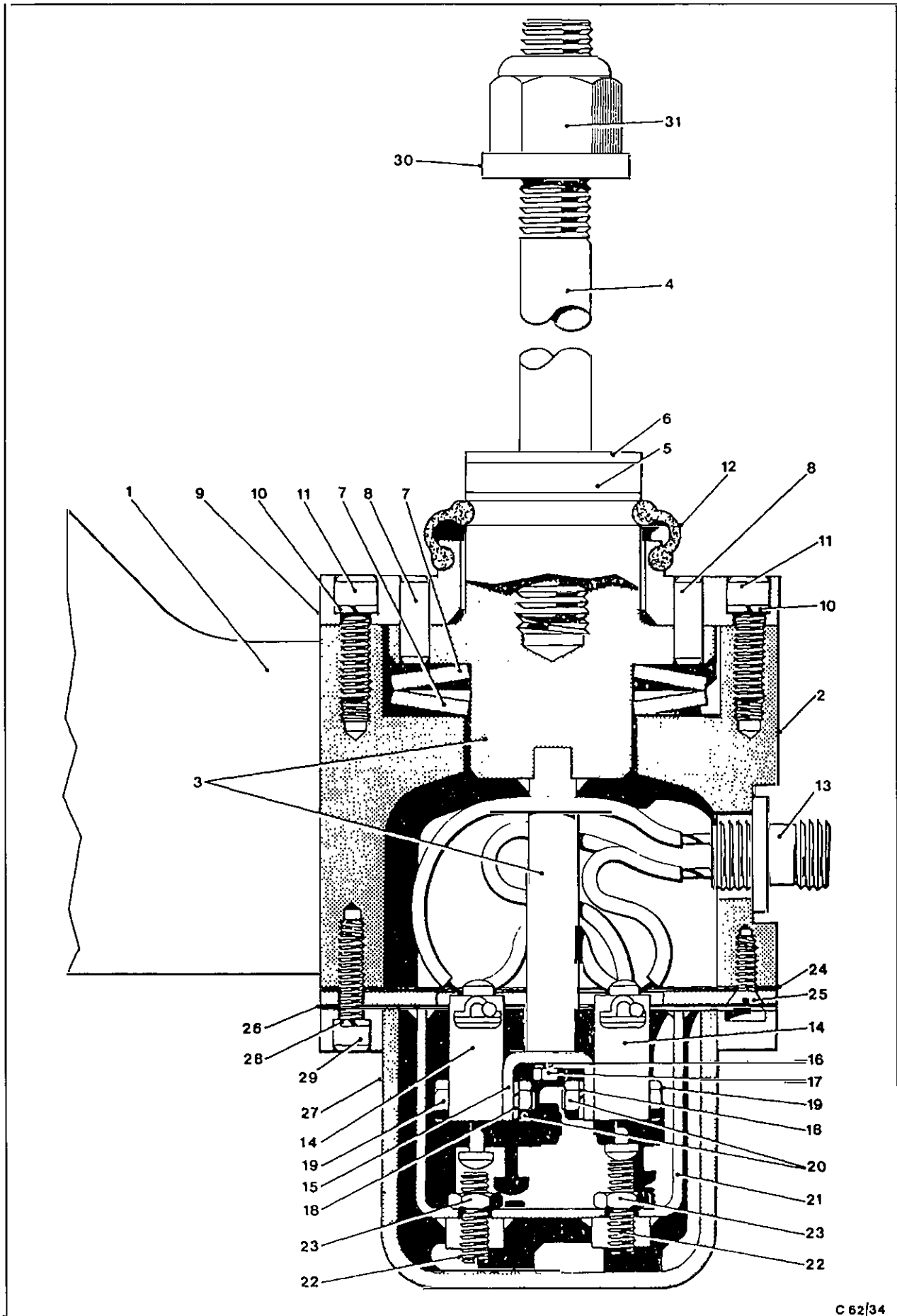
FIG ITEM	MAN CODE NAVY - N ARMY - A RAF - R	NATO STOCK NUMBER	ITEM NAME AND DESCRIPTION	PART NO./ DRAWING NO.	NO. OFF	ANNOTATIONS
Fig 2						
1-2		NP	WINCH - contd			
2	A	7TWG 3120-99-814-8513	..WINCH ASSEMBLY - contd	BWG10668	1	
3	A	7TWG 5307-99-874-1075	..FLANGE, BRAKE END ASSEMBLY	DWG10516	1	
4	A	7TWG 5315-99-874-1052	...BUSHING, SLEEVE	FV(S)91/3/14	4	
5	A	G1 5310-99-941-8639	...STUD, PLAIN: winch end cover	DWG10541	12	
6	A	7TWG 2590-99-874-1065	..PIN, HOLLOW: brake drum to flange		12	
NI	A	7TWG 5310-99-814-8521	..WASHER, FLAT, steel, zinc coated, 5/8 in. id	EWG10622	6	
7	A	G1 5306-99-120-2495	..WASHER, KEY: brake drum dowel	EWG10591	3	
9	A	7TWG 2590-99-824-9780	..WASHER, KEY		12	
10	A	7TWG 5330-99-874-1060	..BOLT, MACHINE, UNF, steel, hex hd, 5/8 in. x 2-1/2 in. lg	CWG10521	1	
11	A	6MT1 5330-99-814-8523	..END COVER AND SEAL HOUSING	DWG10594	1	
12	A	6MT1 4730-99-801-0903	..GASKET: mainshaft end cover		2	
13	A	6MT1 5310-99-120-2394	..SEAL, PLAIN, ENCASED		1	
NI	A	G1 5310-99-941-6656	..PLUG, SCREWED, BSP, brass, hex hd, w/collar 1/8 in.	AGS1138A	1	
NI	A	G1 5310-99-941-0926	..WASHER, FLAT, aluminium, 0.395 in. id x 9/16 in. od x 0.080 in. thk		4	
14	A	7TWG 3830-99-874-1041	..WASHER, LOCK, steel, single coil, sq sect., 3/8 in.		4	
15	A	7TWG 5310-99-874-1053	..NUT, PLAIN, HEXAGON, UNF, steel, zinc coated, 3/8 in.	FVS/78/8	1	
16	A	7TWG 4010-99-848-0258	..PIN, WINCH ROPE ANCHOR	DWG10546	1	
NI	A	E3 4030-99-960-4353	..WASHER, KEY: winch rope anchor	FV156555	1	
NI	A	E3 4030-99-960-4352	...WIRE ROPE, 18 mm dia		1	
17-19	A	7TWG 2590-99-874-1054	...SHACKLE; c/w pin, 11-1/4 ton SWL		1	
18	A	7TWG 2590-99-874-1051	..SHACKLE; c/w pin 7 ton SWL	BWG10551	1	
19	A	7TWG 5320-99-848-0269	..BRAKE BAND ASSEMBLY: winch	CWG10525	1	
20-23		NP	..LINING, FRICTION, SEGMENT	FV156591	30	
21	A	7TWG 3120-99-848-0735	...RIVET, TUBULAR		1	
23	A	6MT1 5365-99-910-8200	..BRAKE, BRACKET ASSEMBLY	BWG10552	1	
24	A	6MT1 4730-99-942-7808	...BEARING, SLEEVE: brake operating lever	FV156625	2	
25	A	7TWG 3040-99-814-8526	...RING, RETAINING, steel, circlip, 1-1/8 in. dia shaft, external		1	
26	A	G1 5306-99-941-0972	..LUBRICATING NIPPLE, hydraulic, straight, 1/8 in. BSP	BWG10685	2	
27	A	G1 5310-99-941-6656	..LEVER, CONTROL, HAND		1	
28	A	G1 5310-99-941-0926	..BOLT, MACHINE, UNF, steel, hex hd, zinc coated, 3/8 in. x 2-1/4 in. lg		1	
29	A	7TWG 5340-99-408-5964	..WASHER, LOCK, steel, single coil, sq sect., 3/8 in.	DWG3223	2	
30	A	7TWG 5315-99-874-1045	..NUT, PLAIN, HEXAGON, UNF, steel, zinc coated, 3/8 in.	EWG3241	1	
31	A	6MT1 5365-99-910-8194	..CONNECTOR, ROD END		1	
32	A	7TWG 5307-99-809-5478	..PIN, GROOVED, HEADED, steel, 1 in. id x 1-1/8 in. od x 1 in. lg		1	
33	A	G1 5310-99-941-0926	..RING, RETAINING, steel, circlip, external, 3/4 in. shaft dia	DWG3222	1	
34	A	7TWG 5340-99-809-5479	..STUD, SHOULDERED, steel, 1/2 in. UNF both ends x 3-5/8 in. lg		1	
35	A	7TWG 3830-99-874-1046	..NUT, PLAIN, HEXAGON, UNF, steel, zinc coated, 3/8 in.	DWG3221	1	
			..FORK, END, steel, 1-3/8 in. w x 1-1/4 in. h	EWG3281	1	
			..PIN: winch brake shaft		1	



C62/33

Fig. 3 Air pressure cylind r

FIG ITEM	MAN CODE NAVY - N ARMY - A RAF - R	NATO STOCK NUMBER	ITEM NAME AND DESCRIPTION	PART NO./ DRAWING NO.	NO. OFF	ANNOTATIONS
Fig 3						
1-18	A	6MT9	2530-99-836-8113	WINCH - contd .AIR PRESSURE CYLINDER - ..CYLINDER ASEMBLY: air pressure brake		
2	A	6MT9	2530-99-836-8364	...COVER, END	APGA2131T	1
3	A	6MT9	5360-99-836-8111	...SPRING, PISTON RETURN: air pressure brake	AP6014-1FV	1
4	A	6MT9	2530-99-836-8125	...GAITER: air pressure cylinder	AP1922FV	1
5	A	6MT9	4730-99-802-4950	...PLUG, SCREWED, 1/8 in. BSP; w/collar	SF50-195	1
6	A	G1	5310-99-422-9722	...NUT, PLAIN, HEXAGON, BSF, steel lock, zinc coated, 1 in.	SF16-24T	2
7	A	6MT9	5340-99-836-8127	...FORK END, PISTON ROD: air pressure cylinder		1
8	A	6MT9	5306-99-836-8123	...PIN, PISTON ROD FORK: air pressure cylinder	AP8609-1	1
					AP8610FV	1
9-18	A	6MT9	2530-99-836-8129	..PISTON ASSEMBLY: air pressure cylinder	APSA821/U/ 71	
9	A	6MT9	5330-99-836-8399	...RETAINER, PACKING	AP8112FV	1
10	A	6MT9	5330-99-800-2476	...FELT, MECHANICAL, PREFORMED	AP8080	1
11	A	6MT1	5330-99-801-5033	...PACKING, PREFORMED, 78 mm id x 4 in. od x 7-1/2 mm h		1
12	A	6MT9	2530-99-836-8044	...RETAINER, PISTON SEAL	AP18111-1FV	1
13	A	6MT9	5330-99-800-2510	...JOINT	AP8298	1
14	A	6MT9	2530-99-836-8367	...ROD, PLUNGER	AP4261-1FV	1
15	A	6MT9	2530-99-836-8043	...RETAINER, PLUNGER, ROD	AP8097FV	1
16	A	6MT9	5310-99-833-8025	...WASHER, FLAT, aluminium, 1/4 in. id	7140427	4
17	A	G1	5310-99-120-6896	...NUT, PLAIN, HEXAGON, UNC, steel, zinc coated, 1/2 in.		4
18	A	G1	5305-99-941-0739	...SCREW, MACHINE, UNC, steel, hex hd, zinc coated, 1/2 in. x 1-1/4 in. lg		4
NI	A	6MT9	4730-99-810-1869	...ADAPTOR, ELBOW, PIPE, 5/8 in. UNF, male, one end x 1/4 in. NPTF other end	SF1164-7FV	1
NI	A	ORD	5330-00-579-8156	.PACKING, O RING, 55/64 in. id x 1.137 in. od	100-212- 2209	1
NI	A	G1	5306-99-941-9683	.BOLT, MACHINE, BSF, 5/16 in. x 1-1/4 in. lg		3
NI	A	G1	5310-99-120-1529	.NUT, PLAIN, HEXAGON, BSF, 5/16in.		3
NI	A	G1	5310-99-101-0187	.WASHER, LOCK, flat, internal teeth, 5/16 in. nom. bolt size		3



C 62/34

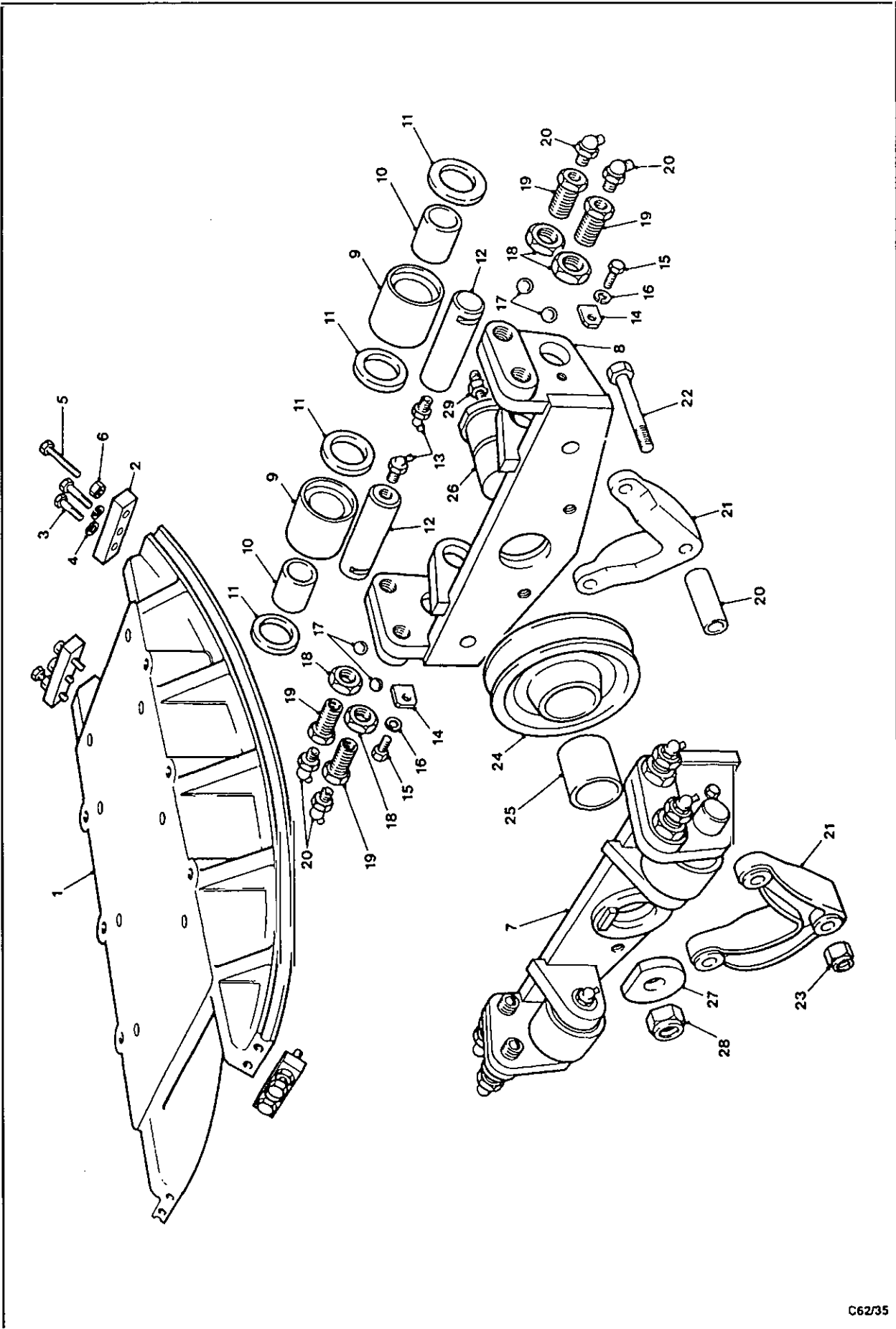
Fig.4. Load limiting device

FIG ITEM	MAN CODE NAVY - N ARMY - A RAF - R	NATO STOCK NUMBER	ITEM NAME AND DESCRIPTION	PART NO./ DRAWING NO.	NO. OFF	ANNOTATIONS
Fig 4			WINCH - contd			
1-31	A	7BD	2590-99-815-0769	2687867	1	
1	A	7TWG	3040-99-814-8527	FV209865	1	
4	A	7TWG	5307-99-814-8530	FV209874	1	
5	A	6MT1	5310-99-814-8537		1	
6	A	6MT1	5310-99-814-8536		1	
7	A	6MT1	5310-99-814-8529		2	
8	A	6MT1	5315-99-814-8528		2	
9	A	7TWG	3040-99-814-8541	FV209895	1	
10	A	G1	5310-99-941-6654		4	
11	A	G1	5305-99-122-3625		4	
12	A	6MT1	3040-99-814-8539		1	
13	A	6MT4	3040-99-814-8540	FV209891	1	
14	A	6MT4	5930-99-814-8533	FV209877	2	
15	A	7TWG	3040-99-814-8532	FV209876	1	
16	A	G1	5310-99-100-6553		2	
17	A	G1	5305-99-135-7358		2	
18	A	G1	5310-99-943-7200		4	
19	A	G1	5305-99-135-7359		4	
20	A	G1	5310-99-101-2680		4	
21	A	7TWG	3040-99-814-8538	FV209884	1	
22	A	7TWG	5305-99-945-8425	FV209880	2	
23	A	G1	5310-99-941-0902		2	
24	A	7TWG	5330-99-814-8531	FV209875	1	
25	A	G1	5305-99-999-8419		2	
26	A	7TWG	3040-99-814-8542	FV209896	1	
27	A	6MT4	3040-99-814-8534	FV209878	1	
28	A	G1	5310-99-944-0547		4	
29	A	G1	5305-99-941-7922		4	
30	A	G1	5310-99-136-4966		1	
31	A	G1	5310-99-943-4301		1	

FIG ITEM	MAN CODE NAVY - N ARMY - A RAF - R	NATO STOCK NUMBER	ITEM NAME AND DESCRIPTION	PART NO./ DRAWING NO.	NO. OFF	ANNOTATIONS
NI	A	7BD	2590-99-815-0770	WINCH - contd .LOAD LIMITING DEVICE - contd		
NI	A	7BD	2590-99-815-0771	..SOLENOID AND LINKAGE ASSEMBLY	2684615	1
NI	A	7BD	5935-99-815-0172	..WIRING HARNESS	2684102	1
NI	A	6MT3	2590-99-802-1521	..PLUG, ELECTRICAL	1756658	1
NI	A	7BD	2590-99-802-1521	..HORN, ELECTRICAL, 24V, DC, w/m bracket	7952811	1
NI	A	7BD	7690-99-824-2148	.DECAL: winch torque warning (overload)	2701499	1
NI	A	X5	6240-99-995-9145	.LAMP, FILAMENT, 24V, 2W		1
NI	A	7BD	5340-99-804-2569	.CLIP, SPRING TENSION, steel, 0.38 in. w x 1.53 in. o/a lg	6358148	1
NI	A	7BD	5340-99-824-6033	.STRAP, LINE SUPPORTING, nylon, 4-11/16 in. lg x 3/64 in. thk	8838564	1

) Torque
warning
lamp
)

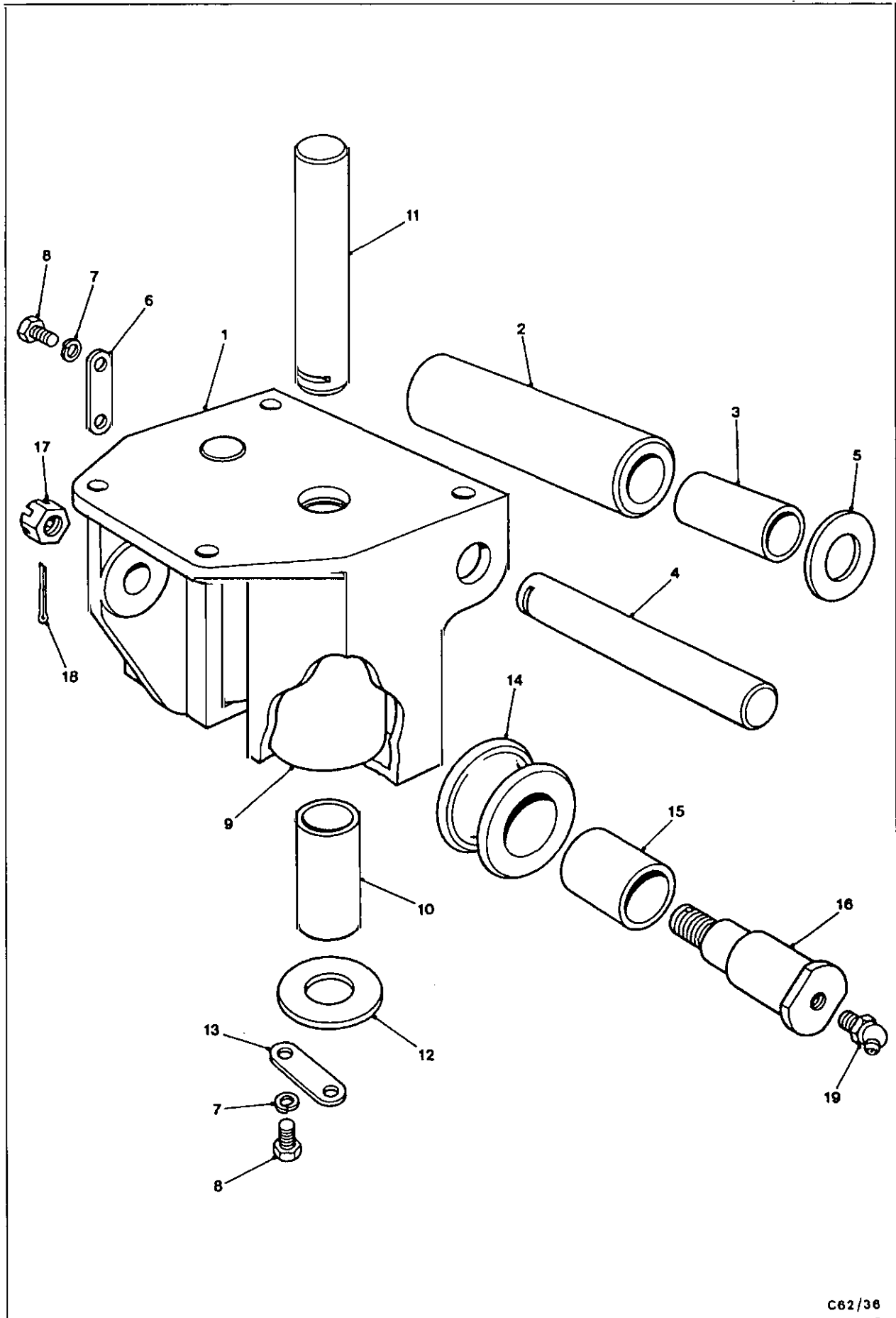
THIS PAGE INTENTIONALLY LEFT BLANK



C6235

Fig 5 Pay on gear

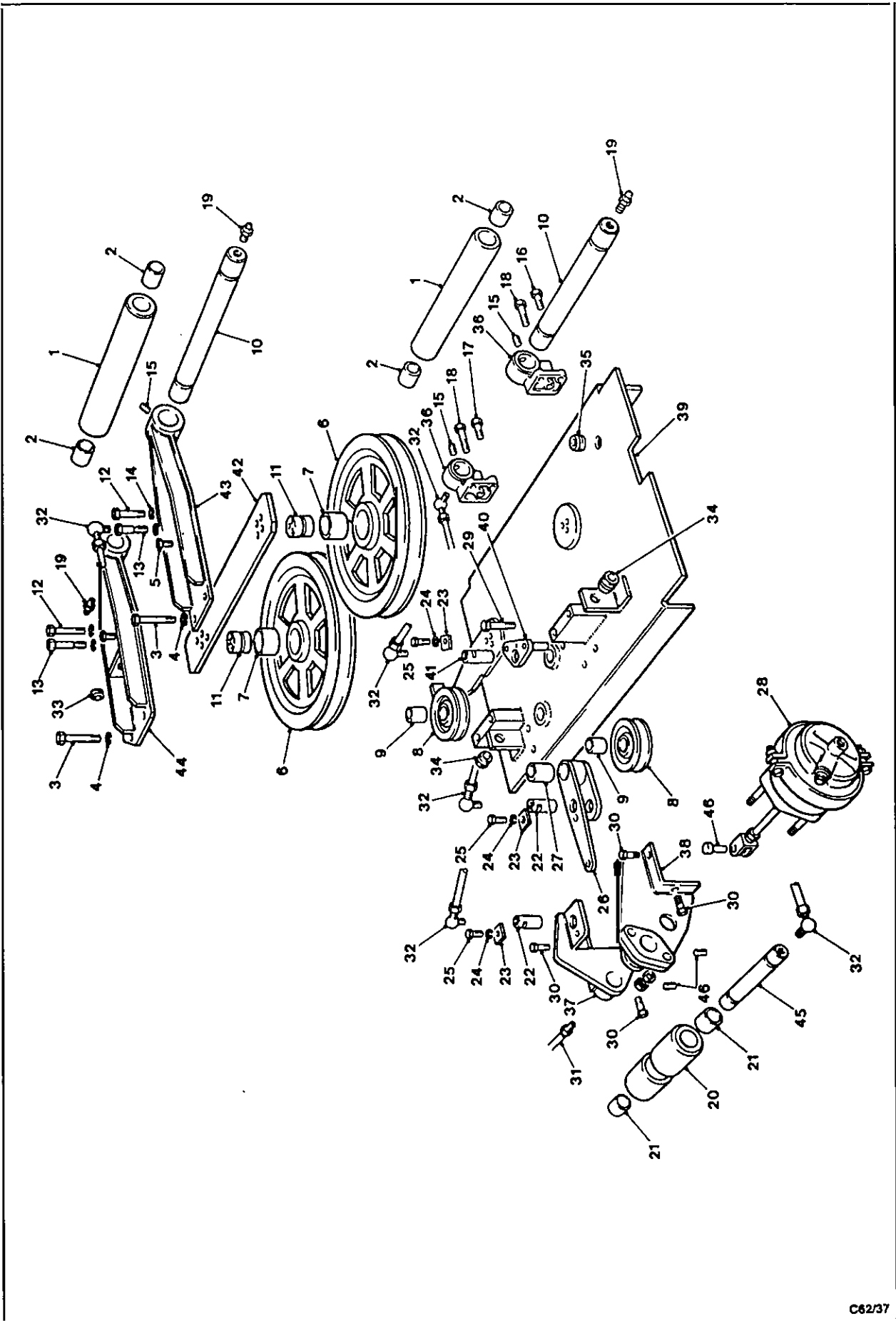
FIG ITEM	MAN CODE NAVY - N ARMY - A RAF - R	NATO STOCK NUMBER	ITEM NAME AND DESCRIPTION	PART NO./ DRAWING NO.	NO. OFF	ANNOTATIONS
Fig 5			WINCH - contd			
1	A 7TWG	2590-99-874-1063	..PAY ON GEAR -	AWG10609	1	
2	A 7TWG	2590-99-874-1071	..TRACK: pay on gear	EWG10657	4	
3	A G1	5305-99-941-0526	..STOP, TROLLEY: pay on gear		8	
4	A G1	5310-99-941-6655	..SCREW, MACHINE, UNF, steel, hex hd, zinc coated, 5/16 in. x 7/8 in. lg		12	
5	A G1	5305-99-941-0544	..WASHER, LOCK, steel, single coil, sq sect., 5/16 in.		4	
6	A G1	5310-99-941-0904	..SCREW, MACHINE, UNF, steel, hex hd, zinc coated, 3/8 in. x 1-3/8 in. lg		4	
7		NP	..NUT, PLAIN, HEXAGON, UNF, steel, lock, zinc coated, 3/8 in.		4	
8	A 7TWG	2590-99-874-1072	..TROLLEY ASSEMBLY: pay on	8853328	2	
9-10		NP	...TROLLEY: pay on	EWG10662	2	
10	A 6MT1	3120-99-200-2480	...ROLLER AND BUSH	DWG1458	4	
11	A 7TWG	3120-99-848-0578	...BUSH: pay on roller	DWG1382	4	
13	A 6MT1	4730-99-801-1208	...WASHER, THRUST	DWG1383	8	
14	A 7TWG	2590-99-848-0617	...LUBRICATING NIPPLE, 1/8 in.BSP, 67-1/2 deg angle		4	
15	A G1	5305-99-951-2083	...LOCKING PLATE: roller	FV209496	4	
16	A G1	5310-99-941-6654	...SCREW, MACHINE, UNF, steel, hex hd, zinc coated, 1/4 in. x 5/16 in. lg		4	
17	A 6MT7	3110-99-950-0575	...WASHER, LOCK, steel, single coil, sq sect., 1/4 in.		4	
18	A G1	5310-99-943-6623	...BALL, BEARING, 1/2 in. dia		8	
19	A 7TWG	2590-99-874-2318	...NUT, PLAIN, HEXAGON, UNF, steel, cadmium plated, 3/4 in. lock		8	
20	A 6MT1	4730-99-801-1208	...ADJUSTER, TRACK RUNNER: pay on	EWG10658	8	
21	A 7TWG	2590-99-874-1064	...LUBRICATING NIPPLE, 1/8 in.BSP, 67-1/2 deg angle		8	
22	A G1	5306-99-941-7021	..GUIDE, ROPE	EWG10610	2	
NI	A G1	5305-99-941-0526	..BOLT, MACHINE, UNF, steel, hex hd, zinc coated, 3/8 in. x 3 in. lg		1	
23	A G1	5310-99-943-4299	..SCREW, MACHINE, UNF, steel, hex hd, zinc coated, 5/16 in. x 7/8 in. lg		4	
24-25	A 7TWG	2590-99-848-0211	..NUT, SELF-LOCKING, HEXAGON, UNF, steel, nylon insert, zinc coated, 3/8 in.		1	
24	A 7TWG	2590-99-848-0584	...PULLEY, GROOVE AND BUSH	FV209419	1	
25	A 7TWG	3120-99-848-0132	...PULLEY, GROOVE: paying on	FV209420	1	
26	A 7TWG	3040-99-814-8545	...BEARING, SLEEVE: pulley	FV209421	1	
27	A 7TWG	5310-99-814-8546	..SHAFT, STRAIGHT	EWG10663	1	
28	A G1	5310-99-941-9127	..WASHER, FLAT, steel, rd, 41/64 in. id x 1-7/8 in. od x 3/16 in. thk	EWG10664	1	
29	A 6MT1	4730-99-943-9382	..NUT, SELF-LOCKING, HEXAGON, UNF, steel, nylon insert, zinc coated, 5/8 in.		1	
NI	A G1	5305-99-941-0740	..LUBRICATING NIPPLE, 1/8 in. BSP, hydraulic, straight		1	
NI	A G1	5310-99-941-6658	..SCREW, MACHINE, UNC, steel, hex hd, zinc coated, 1/2 in. 1-1/2 in. lg		6	
	A G1		..WASHER, LOCK, steel, single coil, sq sect., 1/2 in.		6	



C62/36

Fig.6 Front fairleads

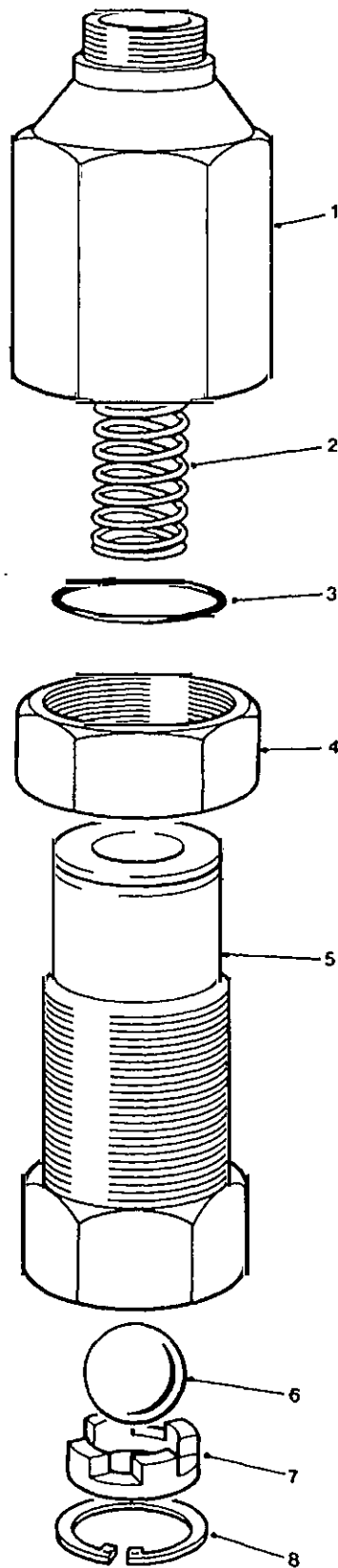
FIG ITEM	MAN CODE NAVY - N ARMY - A RAF - R	NATO STOCK NUMBER	ITEM NAME AND DESCRIPTION	PART NO./ DRAWING NO.	NO. OFF	ANNOTATIONS
Fig 6			WINCH - contd			
2-3	A	7WG	2590-99-848-0226	..FRONT FAIRLEADS - ..ROLLER, FAIRLEAD AND BUSHES: horizontal, front	DWG1913	1
3	A	7WG	3120-99-848-0152	..BEARING, SLEEVE: roller, bronze 1-1/8 in. nom id, 1-3/8 in. od 1-3/4 in. lg	WG1253	2
4	A	7WG	3830-99-848-0227	..PIN, STRAIGHT, HEADLESS: horizontal roller, front fairleads	WG1914	1
5	A	G1	5310-99-941-8617	..WASHER, FLAT, steel, zinc coated, 1-1/8 in. id		2
6	A	7WG	5340-99-848-0150	..LOCKING PLATE, NUT AND BOLT: pin, fairlead	EWG1250	1
7	A	G1	5310-99-941-6654	..WASHER, LOCK, steel, single coil, sq sect., 1/4 in.		6
8	A	G1	5305-99-941-0512	..SCREW, MACHINE, UNF, steel, hex hd, zinc coated, 1/4 in. x 5/8 in. lg		6
9-10	A	7WG	2590-99-848-0624	..ROLLER AND BUSHES ASSEMBLY	DWG1910	2
10	A	7WG	3120-99-848-0152	..BEARING, SLEEVE: roller, bronze 1-1/8 in. nom id, 1-3/8 in. od, 1-3/4 in. lg	EWG1253	4
11	A	7WG	5315-99-874-1337	..PIN, STRAIGHT, HEADLESS: vertical roller	WG1911	2
12	A	G1	5310-99-941-8617	..WASHER, FLAT, steel, zinc coated, 1-1/8 in. id		4
13	A	7WG	5340-99-848-0150	..LOCKING PLATE, NUT AND BOLT: pin, fairlead	EWG1250	2
14-15		NP		..ROLLER	DWG1753	1
15	A	7WG	3830-99-848-0171	..BUSH: roller, fairlead	WG1296	1
16	A	7WG	3830-99-848-0228	..PIN, SMALL: roller, front fairlead	DWG1916	1
17	A	G1	5310-99-941-0887	..NUT, SLOTTED, HEXAGON, UNF, steel, zinc coated, 3/4 in.		1
19	A	6MT1	4730-99-942-7808	..LUBRICATING NIPPLE, hydraulic, 1/8 in. BSP, 67-1/2 deg angle		1
NI	A	7WG	3040-99-814-8547	..SIDE FAIRLEAD, LOWER AND UPPER - ..SHAFT, STRAIGHT, steel, 1.498 in. max od, 2.62 in. o/a lg, transverse slot 0.20 in. w, 1 hole 11/32 in. dia, 1 hole 1/8 in. BSP	DWG130/8	2
NI	A	6MT1	4730-99-942-7808	..LUBRICATING NIPPLE, hydraulic, 1/8 in. BSP, straight		2
NI	A	7WG	2590-99-848-0151	..PLATE, LOCATING: roller, pivot pin	WG1252	2
NI	A	G1	5305-99-941-0511	..SCREW, MACHINE, UNF, steel, hex hd, zinc coated, 1/4 in. x 1/2 in. lg		2
NI	A	G1	5310-99-941-6654	..WASHER, LOCK, steel, single coil, sq sect., 1/4 in.		2
NI	A	7WG	3020-99-814-8543	..PULLEY, GROOVE; c/w bush	CWG3019	2
NI	A	7WG	3120-99-848-0132	..BEARING, SLEEVE: roller, fairlead	EWG1007	2



C62/37

Fig 7 Rear fairlead and rope tensioner

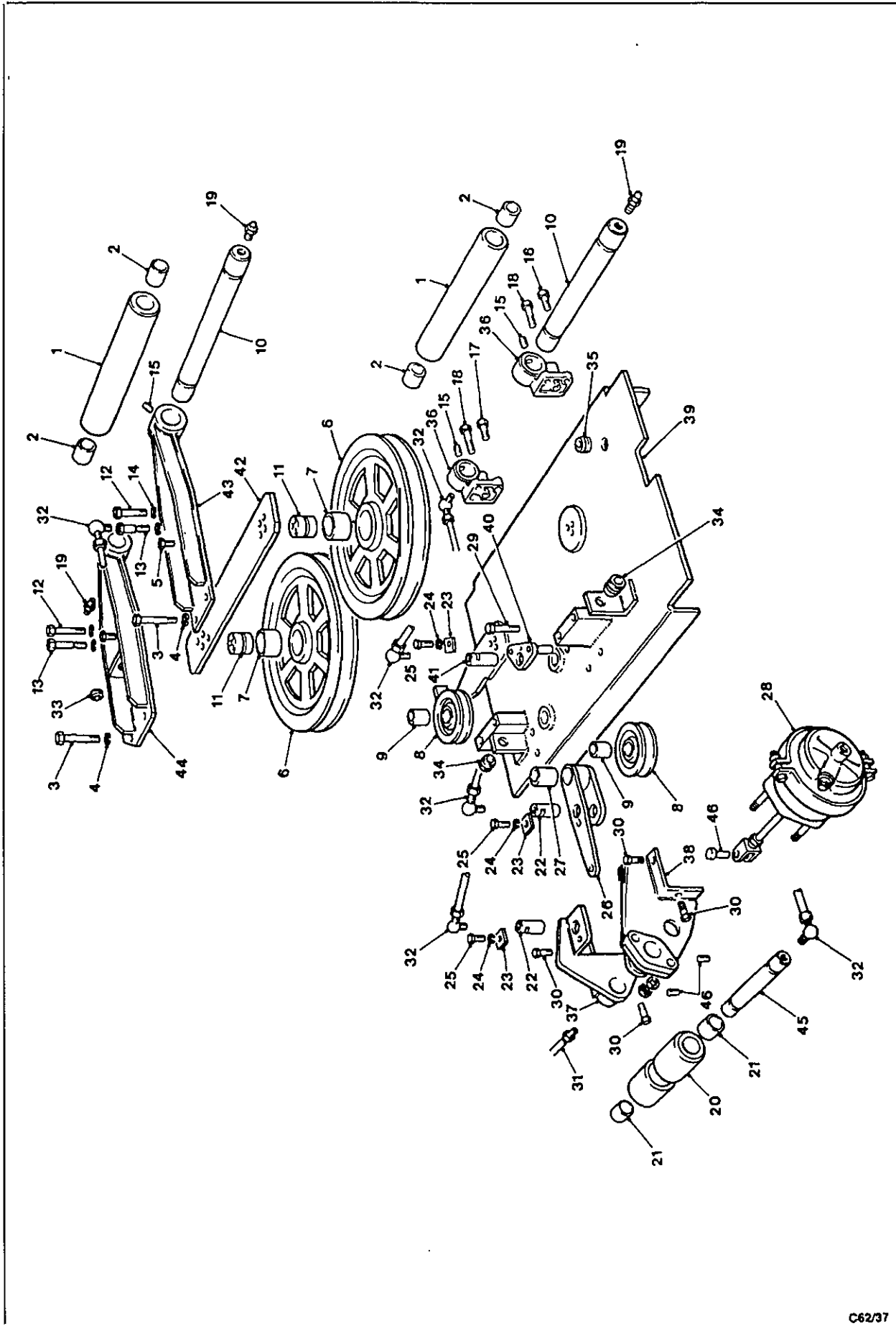
FIG ITEM	MAN CODE NAVY - N ARMY - A RAF - R	NATO STOCK NUMBER	ITEM NAME AND DESCRIPTION	PART NO./ DRAWING NO.	NO. OFF	ANNOTATIONS
Fig 15			ATLAS LOADING CRANE - contd			
1-21	A	8REAT 4320-99-837-4962	..RAM ASSEMBLY, HYDRAULIC: jib ram	732823	1	
1	A	8REAT 2590-99-824-9561	..SPLIT BUSH	302129	4	
2	A	8REAT 4730-99-811-5976	..LUBRICATING NIPPLE	300569	2	
8	A	8REAT 5365-99-826-6130	..RING, RETAINING, 54 mm dia	395404	1	
9	A	8REAT 5365-99-825-7208	..RING, LOCKING, steel, 119 mm dia x 3.2 mm thk	815823	1	
10-14		NP	..CYLINDER NUT ASSEMBLY	627472	1	
12	A	8REAT 4320-99-837-4964	...NUT, CYLINDER	099450	1	
15	A	G1 5330-12-156-4530	..GASKET, copper, 22 mm id x 29 mm od x 1.5 mm thk	300172	1	
16	A	8REAT 4730-99-826-6134	..CONNECTOR, SCREWED, HYDRAULIC	425387	1	
17	A	8REAT 4820-99-832-2315	..VALVE, SAFETY	608537	1	See Fig 16 for details
19	A	8REAT 2590-99-824-0808	..SPACER, ADAPTOR, SI, metric, 22 mm x 1.5 mm pitch x 19 mm lg	119557	1	
21	A	8REAT 5365-99-837-4963	..SPACER, SLEEVE	108849	1	
NI	A	8REAT 4320-99-837-4965	..PARTS KIT: jib ram, comprising items:- 4, 5, 7, 10, 11, 13 & 14	627494	1	



C62/66

Fig 16. Safety valve

FIG ITEM	MAN CODE NAVY - N ARMY - A RAF - R	NATO STOCK NUMBER	ITEM NAME AND DESCRIPTION	PART NO./ DRAWING NO.	NO. OFF	ANNOTATIONS
Fig 7			WINCH - contd			
1-46		NP	..REAR FAIRLEAD AND ROPE TENSIONER	AWG613011	1	
1-2	A 7TWG	3040-99-814-8544	..ROLLER, ROLLER FAIRLEAD; c/w bush	CWG10794	2	
2	A 7TWG	3120-99-848-0132	...BEARING, SLEEVE: roller, fairlead	EWG1007	4	
3	A G1	530f-99-941-0335	..BOLT, MACHINE, UNF, steel, hex hd, zinc coated, 7/16 in. x 3-1/4 in. lg		4	
4	A G1	5310-99-941-6657	..WASHER, LOCK, steel, single coil, sq sect., 7/16 in.		4	
5	A G1	5305-99-941-0553	..SCREW, MACHINE, UNF, steel, hex hd, zinc coated, 7/16 in. x 3/4 in. lg		2	
6-7	A 7TWG	3020-99-814-8549	..PULLEY, GROOVE	CWG13031	2	
7	A 7TWG	3120-99-874-0005	...BEARING, SLEEVE: rope pulley	DWG1018	2	
8-9	A 7TWG	3020-99-814-9902	..PULLEY, GROOVE	CWG10682	2	
9	A 7TWG	3120-99-848-0674	...BEARING, SLEEVE	DWG2413	2	Tensioner pulley
10	A 7TWG	3040-99-814-9901	..SHAFT, STRAIGHT	CWG10793	2	
11	A 7TWG	2590-99-848-0140	..PULLEY, CENTRE: rope	DWG1019	2	
12	A 7TWG	5306-99-814-7034	..BOLT, EXTERNALLY RELIEVED BODY, UNF, steel, hex hd, zinc plated, 5/8 in. x 3-5/16 in. lg	DWG13032	4	
13	A 7TWG	4730-99-814-7035	..BOLT, FLUID PASSAGE, UNF, steel, zinc plated, 5/8 in. x 3-45/64 in. lg, screwed 13/16 in.	DWG13033	2	
14	A G1	5310-99-941-6660	..WASHER, LOCK, steel, single coil, sq sect., 5/8 in.		6	
15	A 7TWG	5315-99-814-7032	..PIN, SHOULDER, HEADLESS, UNF, steel, shoulder, 1/2 in. dia, shank 7/32 in. dia, 5/16 in. lg, rd end, slotted, drive	EWG10750	6	
16	A G1	5306-99-941-1568	..BOLT, MACHINE, UNF, steel, hex hd, zinc coated, 7/16 in. x 1-3/4 in. lg		2	
17	A G1	5306-99-120-7478	..BOLT, MACHINE, UNF, steel, hex hd, zinc coated, 7/16 in. x 1-1/2 in. lg		2	
18	A G1	5306-99-941-1572	..BOLT, MACHINE, UNF, steel, hex hd, zinc coated, 7/16 in. x 2-3/4 in. lg		2	
NI	A G1	5310-99-941-6657	..WASHER, LOCK, steel, single coil, sq sect., 7/16 in.		6	
NI	A G1	5310-99-941-6568	..NUT, PLAIN, HEXAGON, UNF, steel, zinc coated, 7/16 in.		6	
19	A 6MT1	4730-99-942-7808	..LUBRICATING NIPPLE, 1/8 in. BSP, hydraulic, straight		3	
20	A 7TWG	2590-99-874-1067	..ROLLER: winch rope	CWG10639	1	
21	A 7TWG	3120-99-848-0132	..BEARING, SLEEVE: roller, fairlead	EWG1007	2	
22	A 7TWG	5315-99-874-1068	..PIN, STRAIGHT, HEADLESS: pivot, rope tensioner	DWG10640	2	
23	A 7TWG	2590-99-848-0151	..PLATE, LOCATING: roller pivot pin	WG1252	2	
24	A G1	5310-99-941-6654	..WASHER, LOCK, steel, single coil, sq sect., 1/4 in.		2	
25	A G1	5305-99-941-0511	..SCREW, MACHINE, UNF, steel, hex hd, zinc coated, 1/4 in. x 1/2 in. lg		2	
27	A 7TWG	3830-99-848-0171	..BEARING, SLEEVE: rope tensioner lever	CWG10645	1	
28	A 6MT9	2530-99-882-0338	..CHAMBER, BRAKE; type 12	259843T	1	
NI	A 6MT9	2530-99-802-9776	...DIAPHRAGM, AIR PRESSURE	234226	1	
NI	A 6MT9	4730-99-806-7702	...PLUG, PIPE, steel, 1/4 in. NPTF	230111FV	2	



C62/37

Fig 7 Rear fairlead and rope tensioner

FIG ITEM	MAN CODE NAVY - N ARMY - A RAF - R	NATO STOCK NUMBER	ITEM NAME AND DESCRIPTION	PART NO./ DRAWING NO.	NO. OFF	ANNOTATIONS
Fig 7			WINCH - contd			
NI	A	6MT9	2530-99-882-0316	..REAR FAIRLEAD AND ROPE TENSIONER - contd	225164	1
NI	A	6MT9	5340-99-820-3411	..CHAMBER, BRAKE; type 12 - contd ...PUSH ROD ASSEMBLY	250948A	1
29	A	G1	5306-99-941-0336	..YOKE ASSEMBLY, steel, 9/16 in. forkspan, 1/2 in.clevis connection		
30	A	G1	5305-99-941-0557	..BOLT, MACHINE, UNF, steel, hex hd, 7/16 in. x 3-1/2 in. lg		2
NI	A	G1	5310-99-941-6657	..SCREW, MACHINE, UNF, steel, hex hd, zinc coated, 7/16 in. x 1-1/4 in. lg		8
NI	A	G1	5310-99-941-6568	..WASHER, LOCK, steel, single coil, sq sect., 7/16 in.		10
31	A	6MT1	4730-99-814-9905	..NUT, PLAIN, HEXAGON, UNF, steel, zinc coated, 7/16 in.		10
32	A	6MT1	4730-99-814-9904	..ADAPTOR, STRAIGHT, PIPE		1
NI	A	6MT4	5340-99-932-5186	..ADAPTOR, ELBOW, PIPE	EWG13069	7
NI	A	G1	5305-99-945-8425	..CLAMP, LOOP		5
NI	A	6MT1	4720-99-801-7778	..SCREW, MACHINE, UNF, steel, hex hd, zinc coated, No.6 x 3/8 in. lg		5
33	A	H9	5325-99-942-3419	..HOSE, NONMETALLIC, NYLON, 3/16 in. od		AR
34	A	H9	5325-99-942-3457	..GROMMET, RUBBER		1
35	A	H9	5325-99-942-3435	..GROMMET, RUBBER		2
45	A	7TWG	3040-99-814-9903	..GROMMET, RUBBER		1
NI	A	7WG	2590-99-814-7033	..SHAFT, STRAIGHT, steel, 1/2 in. dia x 11-3/16 in. lg	CWG10749	1
NI	A	7WG	3120-99-848-0922	..BRACKET, ROLLER SUPPORT, steel, 90 deg, 3.25 in. lg 1st leg, 3.25 in. w, 3 in. lg 2nd leg, 4.19 in. w, 6 fixing holes 15/32 in. dia	CWG10638	1
NI	A	7WG	3120-99-848-0922	..BEARING, SLEEVE, steel/bronze, plain, split, 1.125 in.id x 1.256 in.od x 1.812 in. lg	DWG1296	1

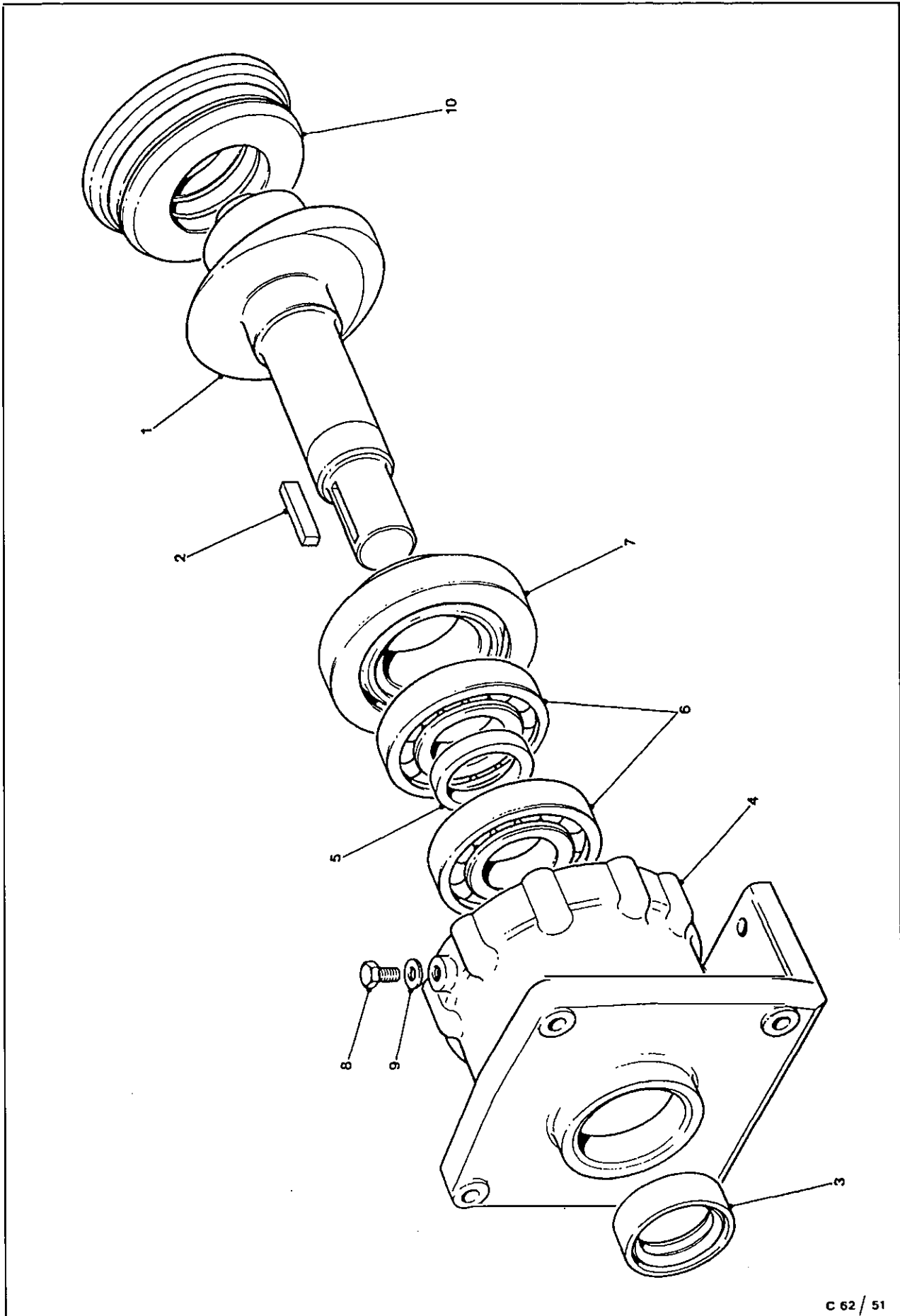
FIG ITEM	MAN CODE NAVY - N ARMY - A RAF - R	NATO STOCK NUMBER	ITEM NAME AND DESCRIPTION	PART NO./ DRAWING NO.	NO. OFF	ANNOTATIONS
			WINCH - contd			
			..AIR PIPES AND FITTINGS - contd			
		NP	..AIR PIPE ASSEMBLY, 620 mm	91098475	1	
		NP	..AIR PIPE ASSEMBLY, 530 mm	91098476	1	
		NP	..AIR PIPE ASSEMBLY, 325 mm	91098477	1	
NI	A	6MT9	4710-99-834-0220	..PIPING, PLASTICS, SEMIRIGID, nylon, 3/8 in. od blue	C606 BLUE	AR)
NI	A	6MT9	4710-99-832-9474	..PIPING, PLASTICS, SEMIRIGID, nylon, 3/8 in. od, black	C606 BLACK	AR)
NI	A	6MT9	4720-99-829-9272	..PIPING, PLASTICS, SEMIRIGID, 3/8 in. od x 1930 mm lg; w/thd connectors both ends: bulk supply	C606 YELLOW 300))))))
NI	A	6MT9	4710-99-836-1403	..PIPING, PLASTICS SEMIRIGID, nylon, green, 3/8 in. od: bulk supply	C606 GREEN))))))
NI	A	6MT9	4730-99-829-7967	..BARBED INSERT, HOSE COUPLING, brass, 0.205 in. id x 0.531 in. max od x 0.594 in. o/a lg	LA06-06NS 50) AR)))))
NI	A	6MT9	4730-99-829-7966	..SLEEVE, brass, 0.396 in. id x 0.472 in. od x 0.370 in. lg, 4 grooves	LA06-81 LA06- 06NS56))))))
NI	A	6MT9	4730-99-829-7965	..NUT, UNION, HOSE, steel, hex, 5/8 in. UNF int thd))))))
NI	A	7BD	5340-99-814-7945	..CLIP, PIPE, steel, 3/8 in. grip, 1/4 in. dia hole	120523	1)
NI	A	G1	5305-99-941-0512	..SCREW, MACHINE, UNF, steel, hex hd, 1/4 in. x 5/8 in. lg		1)
NI	A	6MT9	4730-99-882-0310	..ADAPTOR, STRAIGHT, PIPE, steel, 5/8 in. UNF male thd 1st end, 1/8 in. NPTF male thd 2nd end, 1-1/4 in. o/a lg	SF1162-13	1)
NI	A	Z42	5975-01-034-2705	..STRAP, TIEDOWN, ELECTRICAL, plastics, intermediate tie, 1.250 in. bundle dia, 0.037 in. thk x 0.135 in. w x 5.300 in. lg	91067600	AR)
NI	A	7BD	4720-99-736-4728	..TUBE, PLASTICS, SPIRAL WRAP, nylon, black, 19.94 mm id x 17.14 mm strip w x 1.65 mm wall thk	91047114	1)
NI	A	7BD	4710-99-736-4729	..PIPE, PLASTICS, SEMIRIGID, nylon, 3/8 in. od x 1930 mm lg; w/thd connector both ends	91063031 91098481	2) 1)
NI	A	7BD	2920-99-010-0125	..PIPE ASSEMBLY, 560 mm lg	91064583	1)
NI	A	7BD	5340-99-797-1844	..CLAMP, LOOP, steel, 19 mm lg 9.50 mm W grip		1)
NI	A	6MT9	4730-99-830-0623	..ADAPTOR, TEE, PIPE	SF1220-9	1)
NI	A	6MT9	4730-99-810-1856	..ADAPTOR, TEE, PIPE, steel, 5/8 in. UNF male 1st end and 2nd end, 1/4 in. NPTF male 3rd end	SF1168-8	1)
NI	A	7BD	5325-99-814-7927	..GROMMET, RUBBER, 0.50 in. groove w, 7/8 in. o/a w x 2 in. o/a lg	7200603	1)
NI	A	7BD	4730-99-821-0333	..ADAPTOR, TEE, PIPE, steel, 5/8 in. UNF male 1st and 2nd ends, 1/4 in. NPTF female 3rd end	8856997	1)
NI	A	6MT9	4730-99-810-1869	..ADAPTOR, ELBOW, PIPE, steel, 5/8 in. UNF male 1st end, 1/4 in. NPTF male 2nd end	SF1164-7FV	1)
NI	A	6MT9	4730-99-793-2744	..ADAPTOR, TEE, PIPE, steel, 1/4 in. NPTF thd 1st end, 1/4 in. NPTF female thd 2nd end, 5/8 in. UNF thd 3rd end	SF1853-1 444692	1) 1)
NI	A	7BD	4730-00-044-4692	..PLUG, PIPE		1)
NI	A	G1	5310-99-136-1513	..NUT, PLAIN, HEXAGON, UNF, steel, 5/8 in.		1)

FIG ITEM	MAN CODE NAVY - N ARMY - A RAF - R	NATO STOCK NUMBER	ITEM NAME AND DESCRIPTION	PART NO./ DRAWING NO.	NO. OFF	ANNOTATIONS
NI	A	6MT9	4730-99-797-1845			
			WINCH - contd			
			.AIR PIPES AND FITTINGS - contd			
NI	A	7BD	4710-99-793-2740	SF1872	1	
			..ADAPTOR, ELBOW, PIPE, steel, 5-1/8 in. UNF male 1st end, 1/4 in. NPTF female 2nd end			
NI	A	6MT9	4730-99-882-0266	91047116	1	
			..PIPING GUARD, nylon, 0.0262 in. id x 0.328 in. od x 1 metre lg			
			..ADAPTOR, STRAIGHT, PIPE, steel, 5/8 in. UNF male 1st end, 1/4 in. NPTF male 2nd end, 1-7/16 in. o/a lg	SF1162-7	2	
NI	A	G1	5310-99-804-7941		1	
			..NUT, PLAIN, HEXAGON, UNF, steel, 1/4 in.			
NI	A	G1	5305-99-941-0511		1	
			..SCREW, MACHINE, UNF, steel, hex hd, 1/4 in. x 1/2 in. lg			

CHAPTER 1-5

Atlas Loading Crane parts list for the

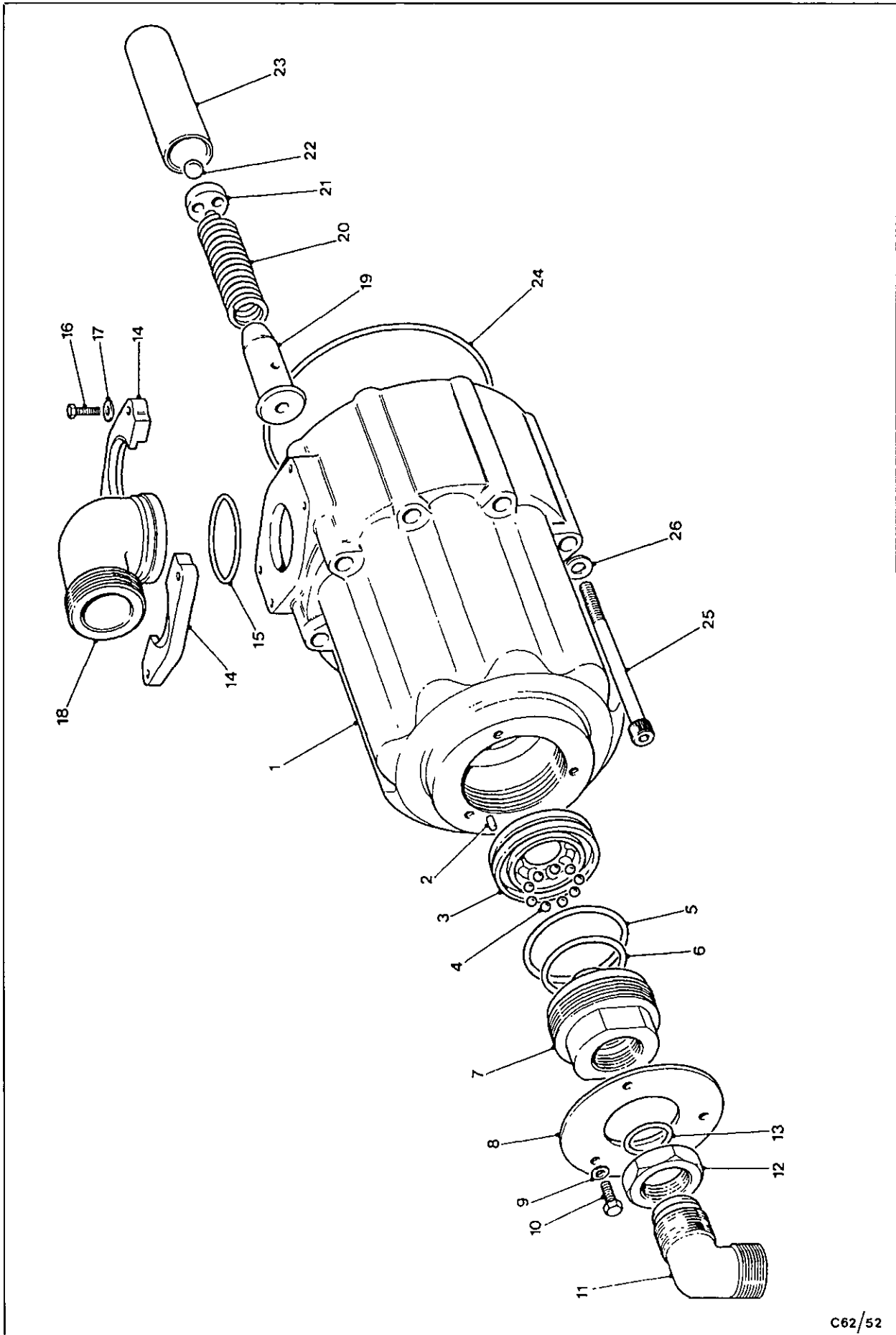
**TRUCK, 4 TONNE, BEDFORD MJ –
ALL VARIANTS**



C 62 / 51

Fig1 Wobble housing

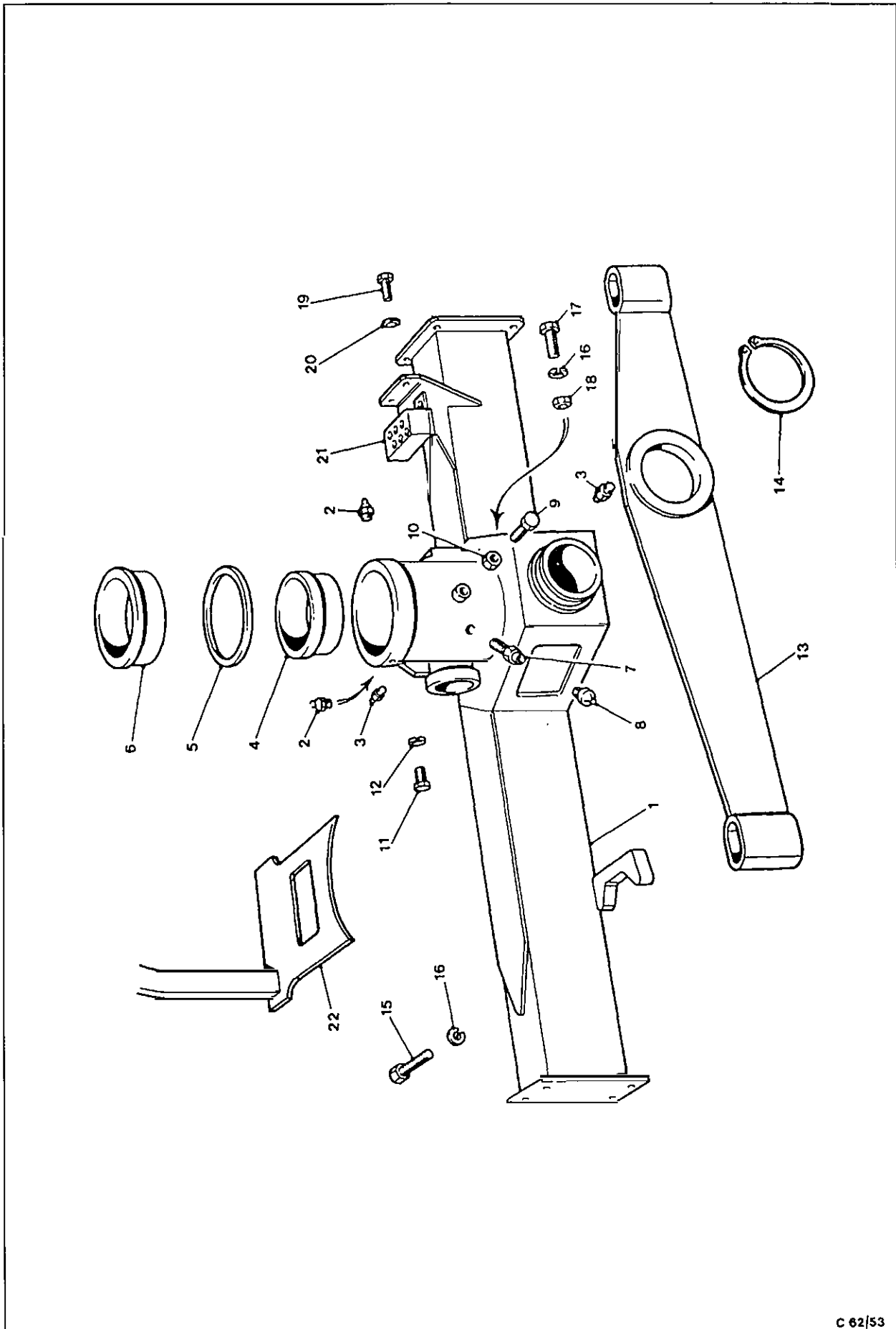
FIG ITEM	MAN CODE NAVY - N ARMY - A RAF - R	NATO STOCK NUMBER	ITEM NAME AND DESCRIPTION	PART NO./ DRAWING NO.	NO. OFF	ANNOTATIONS	
Fig 1							
1-10	A	7EDT	2590-99-736-1663	ATLAS LOADING CRANE - .HOUSING ASSEMBLY, PUMP	JU39/23	1	
1			NP	..WOBBLE SHAFT	SWP172	1	
2	A	7EDT	2540-99-834-1482	..KEY, WOBBLE SHAFT	FK1008-13	1	
3	A	6MT1	5330-99-710-0507	..SEAL, PLAIN, 1-5/8 in. id x 2-3/8 in. od x 3/8 in. w	MIS110SE70	2	
4			NP	..CASING	PC60/1/23	1	
5	A	7EDT	5365-99-720-9612	..SPACER RING, steel, 1-5/8 in. id x 2 in. od x 0.4375 in. lg	DP184	1	
6	A	6MT7	3110-99-824-5066	..BEARING, BALL JOURNAL, 1-5/8 in. id x 3-1/2 in. od x 3/4 in. w '000' fit		2	
7	A	6MT7	3110-99-825-7279	..BEARING, TAPERED ROLLER, 2 in. id x 4-3/8 in. od x 1-3/16 in. lg		1	
8	A	G1	5305-99-136-6252	..SCREW, MACHINE, UNC, steel, hex hd, 5/16 in. x 3/8 in. lg		1	
9	A	7EDT	5310-99-412-4105	..WASHER, copper/asb, 9 mm id x 14 mm od x 2 mm thk	WS25	1	
10	A	6MT7	3110-99-819-3965	..BEARING, BALL, THRUST, 60 mm id x 116 mm od x 36.5 mm w		1	



C62/52

Fig 2 Hydraulic pump

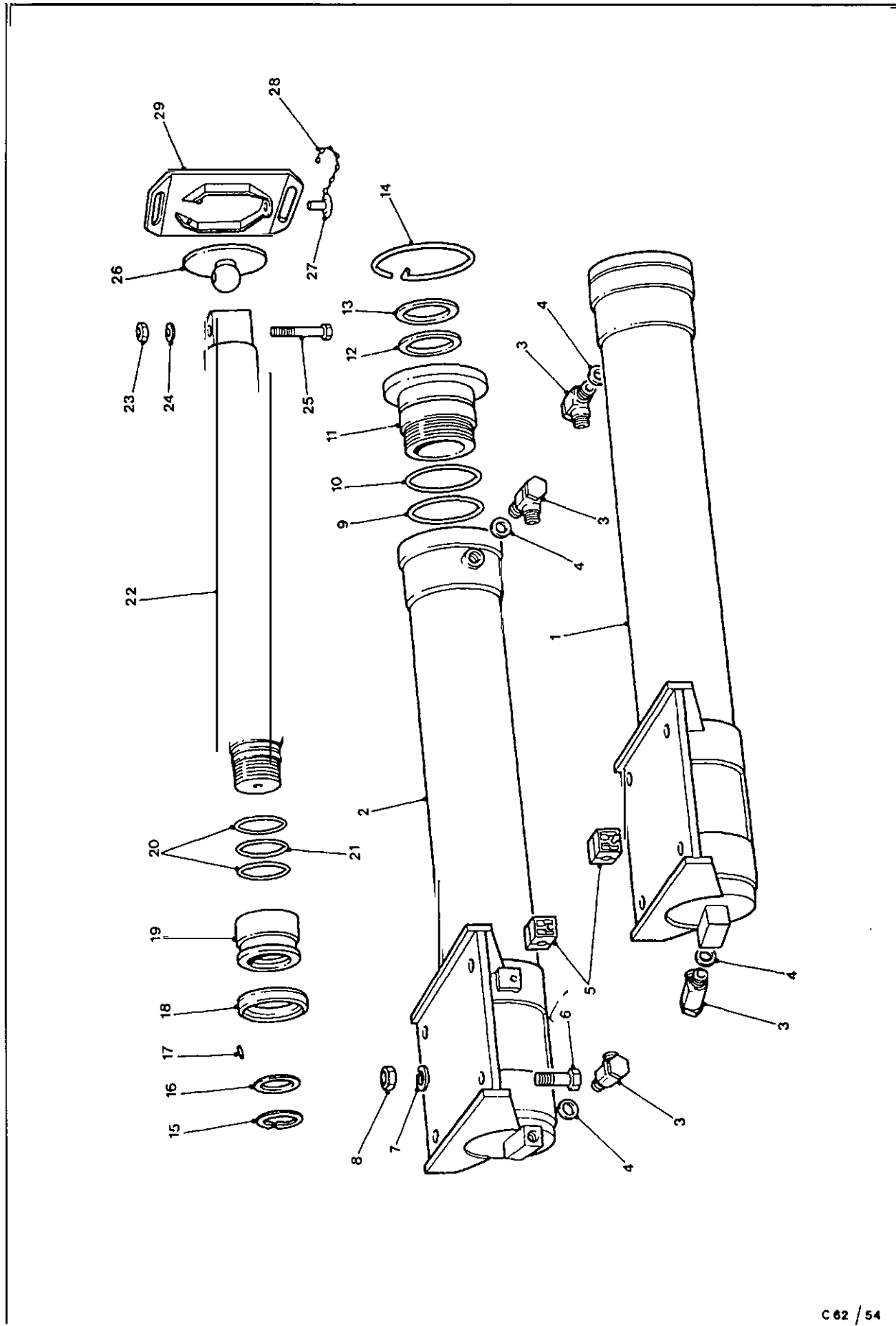
FIG ITEM	MAN CODE NAVY - N ARMY - A RAF - R	NATO STOCK NUMBER	ITEM NAME AND DESCRIPTION	PART NO./ DRAWING NO.	NO. OFF	ANNOTATIONS
Fig 2						
1-26	A	7EDT	4320-99-839-3676	ATLAS LOADING CRANE - contd ..PUMP, ROTARY, POWER DRIVEN, 9 cylinder, swash plate type	WPO7200112 58	1
1		NP	..CASING, PUMP	WPC11/1	1	
2	A	7EDT	5315-99-834-1362	..PIN, STRAIGHT, HEADLESS, steel, 1/8 in. dia x 1/4 in. lg	E620	3
3	A	7EDT	4320-99-833-7392	..SEAT, BLOCK, VALVE, 2-1/4 in. od x 5/8 in. thk	NR370	1
4	A	6MT7	3110-99-950-0573	..BALL, BEARING, steel, 3/8 in. dia		9
5	A	6MT1	5330-99-806-9451	..RING, SEALING, TOROIDAL, 2 in. id x 1/8 in. thk	OR31	1
6	A	6MT1	5330-99-819-3523	..RING, SEALING, TOROIDAL, 1-3/4 in. id x 1/8 in. thk	OR27	1
7	A	7EDT	4320-99-819-3525	..BLOCK, PUMP HEAD, steel, 2-1/4 in. - 12 BSW ext thd, 3/4 in. RSP int thd	NR146NC SP30	1 1
8		NP	..PLATE, RETAINING		3	
9	A	G1	5305-99-941-0685	..SCREW, MACHINE, UNC, steel, hex hd, 1/4 in. x 1/2 in. lg		3
10	A	7RS	3825-99-208-9415	..WASHER, SPRING, steel, 1/4 in.	WS11	3
11	A	7EDT	2540-99-834-1389	..ADAPTOR, ELBOW: outlet	NR112-2	1
12	A	7EDT	5310-99-834-1042	..NUT, PLAIN, HEXAGON	LN5	1
13	A	6MT1	5330-99-810-0913	..RING, SEALING, TOROIDAL, 3/4 in. id x 3/32 in. thk	OR11	1
14	A	7EDT	4320-99-833-7393	..PLATE, ADAPTOR, INLET	FC93	2
15	A	W18	5330-99-945-0392	..RING, SEALING, TOROIDAL	OR29	1
16	A	G1	5305-99-941-0689	..SCREW, MACHINE, UNC, steel, hex hd, 1/4 in. x 1 in. lg		4
17	A	7RS	3825-99-208-9415	..WASHER, SPRING, 1/4 in.	WS11	4
18	A	7EDT	4320-99-745-9260	..ADAPTOR, ELBOW, 1-1/4 in. BSP 1st end, '0' ring groove 2nd end	NR695A	1
19	A	7EDT	4320-99-819-3528	..PLUNGER, PUMP, steel, 11/16 in. od x 3-1/4 in. lg	PG55NC PS65-26A	9 9
20	A	7EDT	5360-99-449-6138	..SPRING, HELICAL, COMPRESSION		
21	A	7EDT	4320-99-819-3527	..GRID, PLUNGER, steel, 29/64 in. dia x 7/32 in. thk, 3 holes 5/32 in. dia	NR340MS	9
22	A	6MT7	3110-99-950-0572	..BALL, BEARING, steel, 11/32 in. dia		9
23	A	7EDT	4320-99-745-9259	..GUIDE, SPRING, steel, 0.275 in. dia x 3-1/32 in. lg	SG10	9
24	A	6MT1	5330-99-819-3526	..RING, SEALING, TOROIDAL, 4-3/4 in. id x 1/16 in. thk	R43701	1
25	A	7EDT	5306-99-977-0001	..BOLT, MACHINE, UNC, steel, 3/8 in. x 3-7/8 in. lg	A41300B	9
26	A	G1	5310-99-120-8697	..WASHER, LOCK, steel, single coil, 3/8 in.		9



C 62/53

Fig.3. Trestle and column

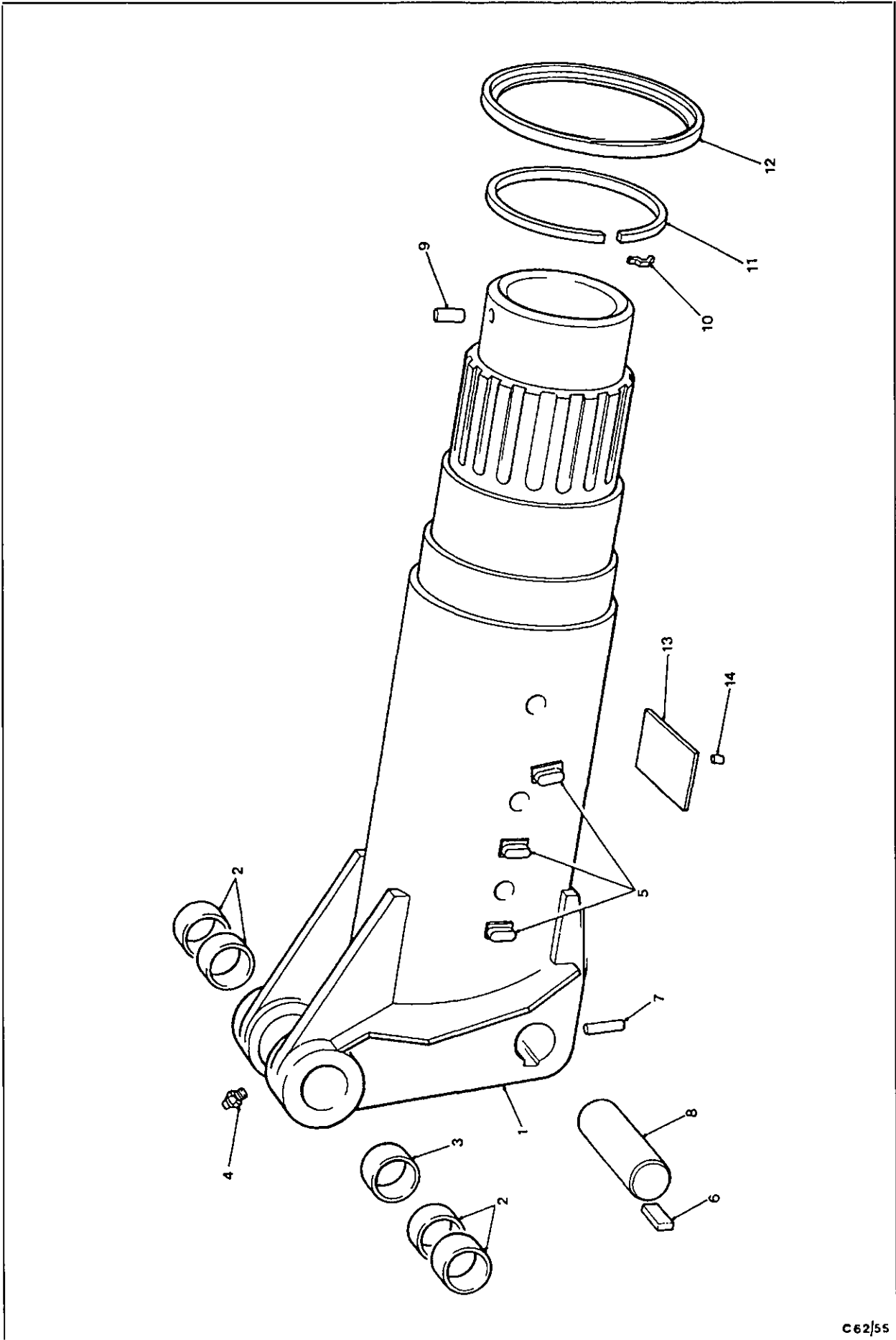
FIG ITEM	MAN CODE NAVY - N ARMY - A RAF - R	NATO STOCK NUMBER	ITEM NAME AND DESCRIPTION	PART NO./ DRAWING NO.	NO. OFF	ANNOTATIONS
Fig 3			ATLAS LOADING CRANE - contd			
1-12		NP	.TRESTLE AND COLUMN: crane base	699989	1	
2	A	6MT1 4730-99-823-6501	..LUBRICATING NIPPLE, steel, 8 mm thd	301242	2	
3	A	8REAT 4730-99-811-5976	..LUBRICATING NIPPLE	300569	3	
4	A	8REAT 3120-99-825-1848	..BEARING, TRESTLE, 212.2 mm id x 250 mm od x 70 mm h	108985	1	
5	A	8REAT 2590-99-832-7405	..RING, THRUST	210833	1	
6	A	8REAT 3120-99-825-1847	..BEARING, TRESTLE, 264 mm id x 295 mm od x 70 mm h	108974	1	
7	A	8REAT 2590-99-837-6764	..EXTENSION, GREASE NIPPLE	565864	1	
8	A	8REAT 4730-99-824-0835	..LUBRICATING NIPPLE, 90 deg angle, 10 mm thd	324603	1	
9	A	8REAT 5306-99-977-9030	..BOLT, MACHINE, SI, metric, steel, hex hd, 20 mm x 2.5 mm pitch x 60 mm lg	458206	1	
10	A	G1 5310-99-124-3652	..NUT, PLAIN, HEXAGON, SI, metric, steel, 20 mm x 2.5 mm pitch		1	
11	A	G1 5305-99-122-4910	..SCREW, MACHINE, SI, metric, steel, hex hd, M10 x 25 mm lg		2	
12	A	G1 5310-99-135-9303	..WASHER, LOCK, steel, 10 mm		2	
13		NP	.WEARER	649809	1	
14	A	6MT1 5365-12-126-6101	.RING, RETAINING	303722	1	
15	A	G1 5305-99-122-8587	.SCREW, MACHINE, SI, metric, steel, hex hd, 8 mm x 1.25 mm pitch x 40 mm lg		4	
16	A	G1 5310-99-135-9293	.WASHER, LOCK, steel, 8 mm		4	
17	A	G1 5306-99-124-3602	.BOLT, MACHINE, SI, metric, steel, hex hd, 8 mm x 1.25 mm pitch x 55 mm lg		2	
18	A	G1 5310-99-122-3402	.NUT, PLAIN, HEXAGON, SI, metric, steel, 8 mm x 1.25 mm pitch		2	
19	A	G1 5305-99-122-4910	.SCREW, MACHINE, SI, metric, steel, hex hd, M10 x 25 mm lg		2	
20	A	G1 5310-99-135-9303	.WASHER, LOCK, steel, 10 mm		2	
NI	A	G1 4010-99-432-7152	.CHAIN, PLAIN, steel, 3/32 in dia link		AR	
NI	A	8REAT 5315-99-837-6762	.PIN, LOCK	818177	2	
NI	A	8REAT 2590-99-837-6761	.PIN	813467	2	
NI	A	8REAT 5360-99-837-6760	.SPRING, HELICAL COMPRESSION	813478	2	
NI	A	8REAT 2590-99-837-6758	.ADAPTOR SLEEVE	309024	2	
NI	A	8REAT 2590-99-838-6188	.COLLAR, PIN; w/lever	003497	2	



C 62 / 54

Fig 4 Stabilizer ram

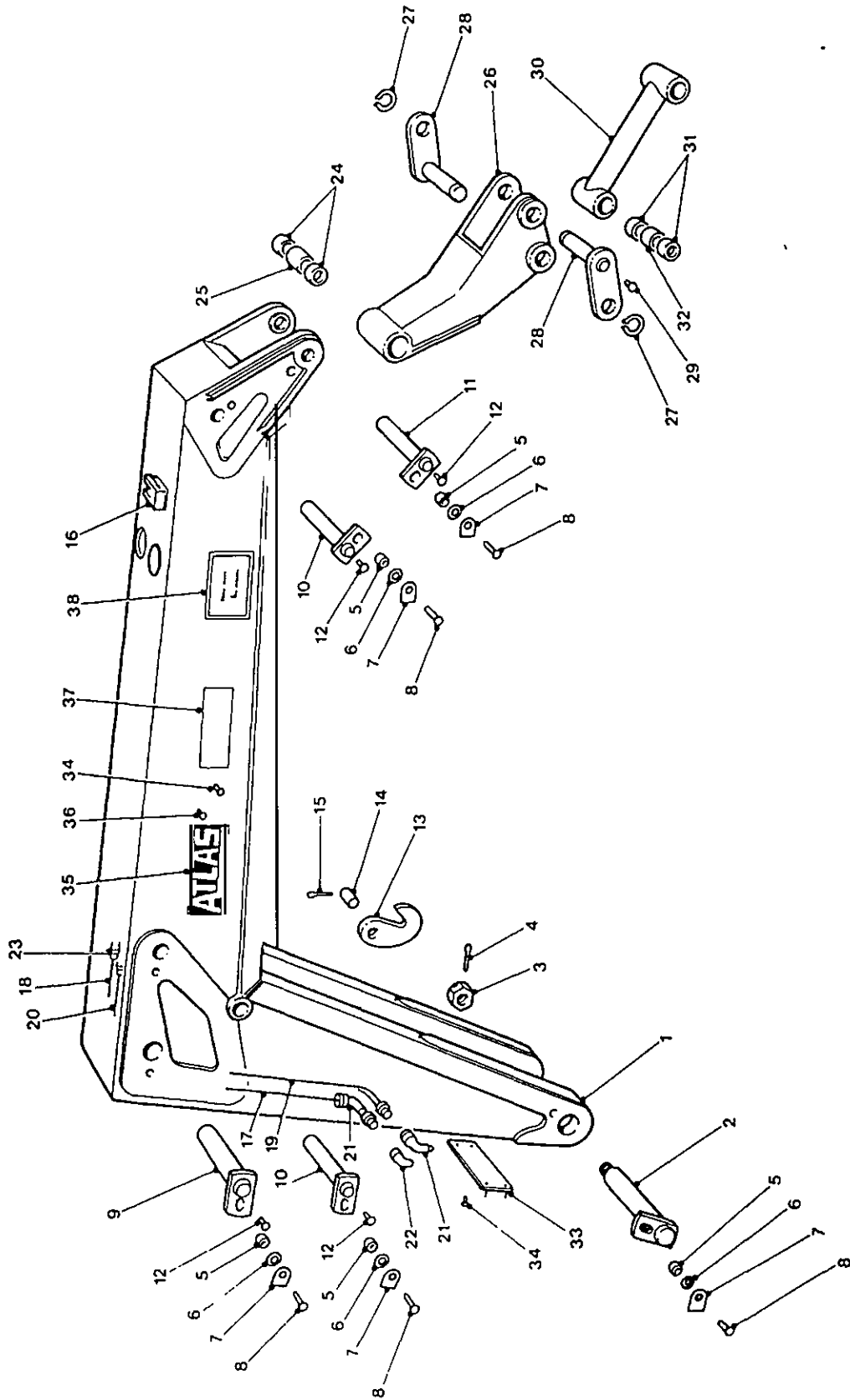
FIG ITEM	MAN CODE NAVY - N ARMY - A RAF - R	NATO STOCK NUMBER	ITEM NAME AND DESCRIPTION	PART NO./ DRAWING NO.	NO. OFF	ANNOTATIONS
Fig 4						
1-26	A	8REAT 4320-99-838-5762	ATLAS LOADING CRANE - contd .RAM, HYDRAULIC: rh stabilizer	745657	1	
2-26	A	8REAT 4320-99-838-5763	.RAM, HYDRAULIC: lh stabilizer	745646	1	
3	A	8REAT 2590-99-838-5764	.RAMS, HYDRAULIC: rh or lh - ..COUPLING	0815141	2	
4	A	8REAT 5310-99-838-5765	..WASHER, FLAT	0300172	2	
5	A	8REAT 2590-99-838-5766	..CLAMP, PIPE, HYDRAULIC	0808460	1	
6	A	G1 5305-99-122-8614	..SCREW, MACHINE, SI, metric, steel, hex hd, 20 mm x 2.5 mm pitch x 45 mm lg		4	
7	A	G1 5310-99-135-9306	..WASHER, LOCK, steel, 20 mm		4	
8	A	8REAT 5310-99-838-5767	..NUT, PLAIN, HEXAGON, SI, metric, 20 mm x 2.5 mm pitch	0303379	4	
9-13	A	8REAT 4320-99-838-5768	..NUT, HYDRAULIC CYLINDER; c/w seals	0629021	1	
14	A	8REAT 5365-99-825-7208	..RING, LOCKING, steel, 119 mm dia x 3.2 mm thk	0418991	1	
15	A	8REAT 5365-99-838-5769	..RING, RETAINING	0470848	1	
16	A	8REAT 5310-99-838-5770	..WASHER, FLAT	0067190	1	
23	A	8REAT 5310-99-838-5771	..NUT, PLAIN, HEXAGON, SI, metric, steel, M10	0300912	1	
24	A	8REAT 5310-99-838-5772	..WASHER, SPRING TENSION, 10 mm	0300592	1	
27	A	8REAT 5340-99-838-5773	..PIN, QUICK RELEASE	0665081	1	
28	A	8REAT 5315-99-811-5977	..PIN, LOCK	0300809	1	
30	A	8REAT 2590-99-838-6185	..CHAIN, PIN RETAINING	0446064	1	
NI	A	8REAT 4730-99-826-6134	.CONNECTOR, SCREWED, HYDRAULIC, male to female, 12 mm	425387	1	
NI	A	8REAT 2590-99-824-0999	.ADAPTOR, PIPE	347906	1	



c62/55

Fig 5 C ntre column

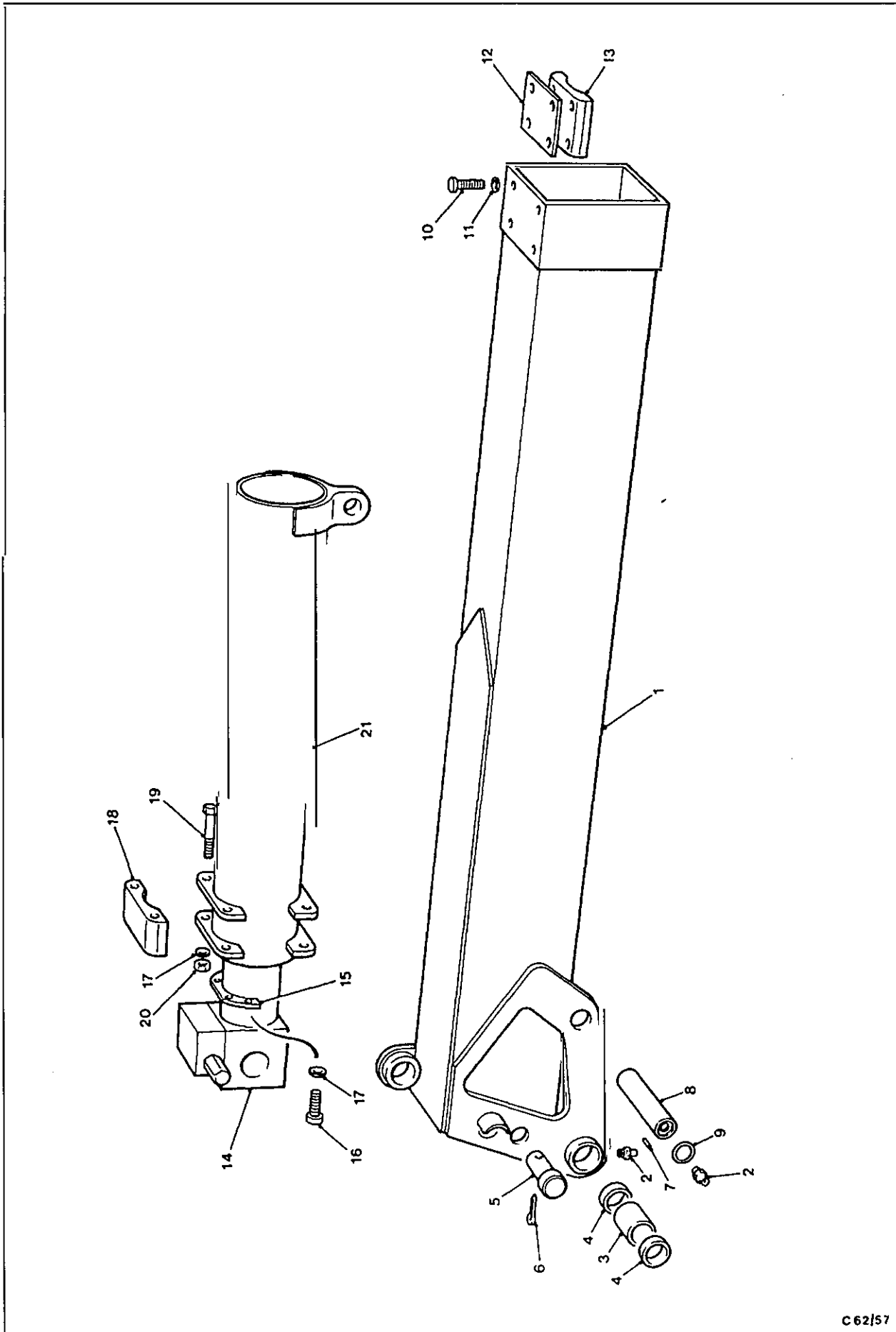
FIG ITEM	MAN CODE NAVY - N ARMY - A RAF - R	NATO STOCK NUMBER	ITEM NAME AND DESCRIPTION	PART NO./ DRAWING NO.	NO. OFF	ANNOTATIONS
Fig 5			ATLAS LOADING CRANE - contd			
1-5		NP	.CRANE CENTRE COLUMN	649832	1	
2	A	8REAT 3120-99-812-4581	..BUSHING, SLEEVE, 60 mm id x 68 mm od x 45 mm lg	202117	4	
4	A	8REAT 4730-99-811-5976	..LUBRICATING NIPPLE	300569	1	
5	A	8REAT 5340-99-838-2764	..BLOCK, LOCATING	490728	6	
6	A	G1 5315-99-137-9683	.KEY, MACHINE, steel, 30 mm lg x 14 mm w x 9 mm h		1	
7	A	8REAT 5315-99-838-2765	.PIN, STRAIGHT, HEADLESS, steel, 10 mm dia x 90 mm lg	303448	1	
8	A	8REAT 5315-99-838-2766	.PIN, STRAIGHT, HEADLESS, steel, 60 mm dia x 197 mm lg	947140	1	
9	A	8REAT 5315-99-837-6769	.PIN, STRAIGHT, HEADLESS, steel, 10 mm dia x 16 mm lg	295856	1	
10	A	8REAT 5340-99-812-4579	.CONNECTING LINK, CLAMP	303620	1	
11	A	8REAT 5340-99-812-4578	.CLAMP, RIM CLENCHING, 800 mm lg	303631	1	
12	A	8REAT 2590-99-811-6835	.BOOT, DUST AND MOISTURE SEAL	303608	1	



C62/56

Fig 6 Boom

FIG ITEM	MAN CODE NAVY - N ARMY - A RAF - R	NATO STOCK NUMBER	ITEM NAME AND DESCRIPTION	PART NO./ DRAWING NO.	NO. OFF	ANNOTATIONS
Fig 6			ATLAS LOADING CRANE - contd			
1-23		NP	.BOOM, ASSEMBLY, COMPLETE	744156	1	
1		NP	..BOOM	649263	1	
2	A	8REAT 2590-99-838-3480	..PIN, ASSEMBLY, steel, 60 mm dia x 353 mm lg	649274	1	
3	A	G1 5310-99-135-9049	..NUT, CASTELLATED, HEXAGON, SI, metric, steel, 48 mm x 5 mm pitch		1	
4	A	G1 5315-99-138-2221	..PIN, COTTER, SPLIT, steel, 8 mm dia x 100 mm lg		1	
5	A	8REAT 5365-99-826-7026	..SPACER, SLEEVE, steel, 17 mm id x 25 mm od x 10 mm lg	159599	5	
6	A	8REAT 5310-12-148-9241	..WASHER, FLAT, steel, 16 mm id x 40 mm od x 6 mm thk	448179	5	
7	A	8REAT 2590-99-137-7149	..PLATE, LOCKING	048266	5	
8	A	G1 5305-99-122-8603	..SCREW, MACHINE, SI, metric, steel, hex hd, 16 mm x 2 mm pitch x 35 mm lg		5	
9	A	8REAT 2590-99-838-3481	..PIN ASSEMBLY, steel, 60 mm dia x 239 mm lg	649285	1	
10	A	8REAT 2590-99-837-6776	..PIN ASSEMBLY, steel, 45 mm dia x 227 mm lg	673570	2	
11	A	8REAT 2590-99-825-1835	..PIN ASSEMBLY, steel, 45 mm dia x 299 mm lg	534389	1	
12	A	8REAT 4730-99-811-5976	..LUBRICATING NIPPLE	300569	4	
13	A	8REAT 2590-99-832-7444	..TUMBLING HOOK	155302	1	
14	A	8REAT 5315-99-832-7443	..PIN, STRAIGHT, HEADLESS	155299	1	
15	A	G1 5315-99-944-0197	..PIN, COTTER, SPLIT, steel, 7/32 in. dia x 1-3/4 in. lg		1	
21	A	8REAT 4730-99-838-3482	..ELBOW, PIPE	393991	4	
22	A	8REAT 4730-99-826-7047	..ELBOW, PIPE, steel, 12 mm dia tube, 18 mm x 1.5 mm	454951	2	
23	A	8REAT 4730-99-838-3483	..COUPLING, PIPE	394005	4	
24	A	8REAT 2590-99-824-9561	..SPLIT BUSH	302129	2	
27	A	6MT1 5365-99-825-1839	..RING, RETAINING, steel, 45 mm id x 1.75 mm thk	323680	2	
28	A	8REAT 2590-99-837-6782	..PIN ASSEMBLY, steel, 45 mm dia x 156 mm lg	571157	2	
29	A	8REAT 4730-99-811-5976	..LUBRICATING NIPPLE	300569	2	
31	A	8REAT 3120-99-825-1842	..BEARING, SHIFT ROD, 45 mm id x 55 mm od x 25 mm lg	306145	4	



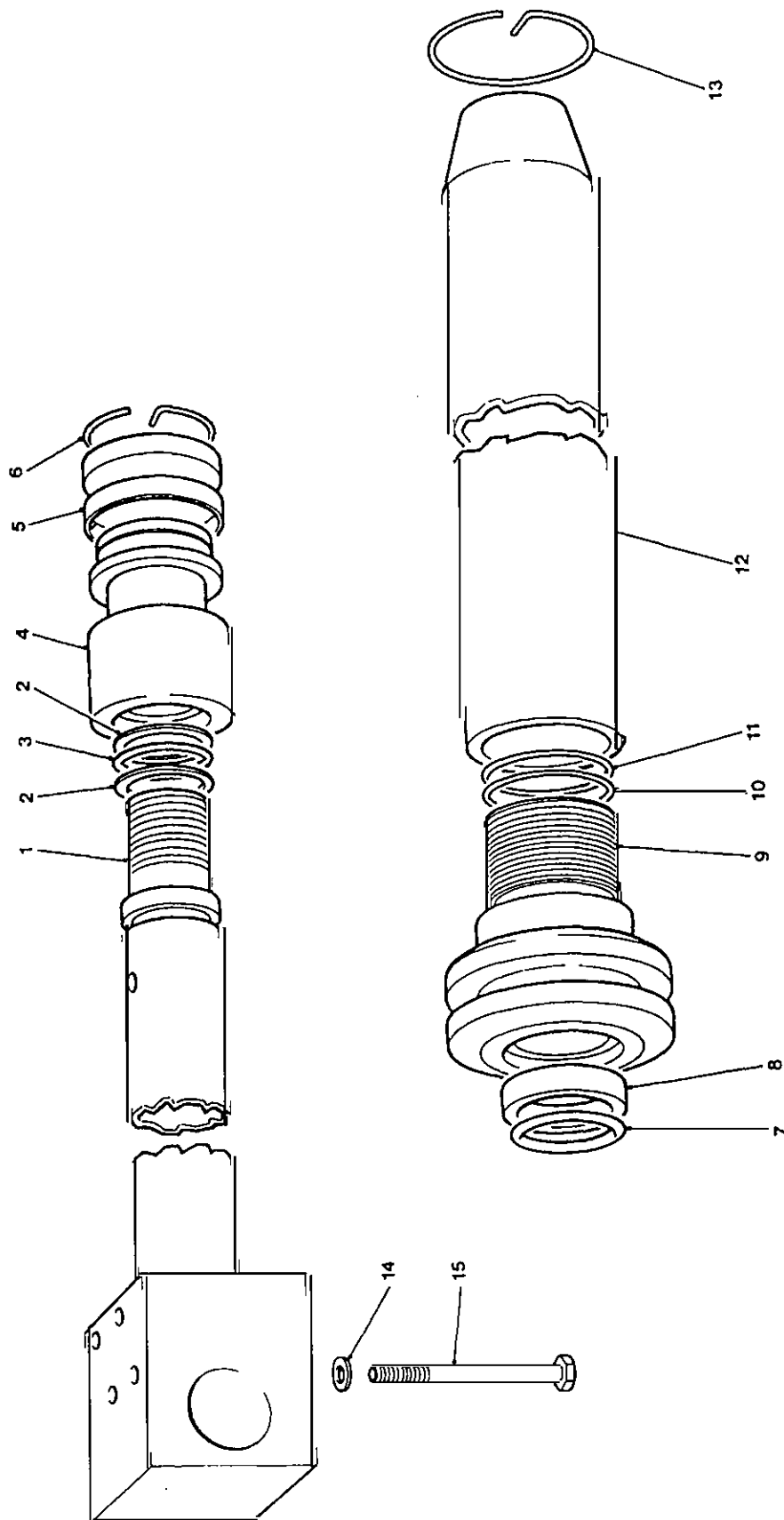
C 62/57

Fig 7 Jib

ARMY EQUIPMENT
SUPPORT PUBLICATION

2320-H-100-721

FIG ITEM	MAN CODE NAVY - N ARMY - A RAF - R	NATO STOCK NUMBER	ITEM NAME AND DESCRIPTION	PART NO./ DRAWING NO.	NO. OFF	ANNOTATIONS
Fig 7			ATLAS LOADING CRANE - contd			
1-21		NP	..JIB ASSEMBLY, COMPLETE	744178	1	
1-4		NP	..JIB	649025	1	
2	A	8REAT 4730-99-811-5976	...LUBRICATING NIPPLE	300569	2	
4	A	8REAT 3120-99-837-6771	...BUSH, 35 mm id x 45 mm od x 40 mm lg	811056	2	
5	A	8REAT 2590-99-825-1827	..PIN, SECURING, JIB, steel, 30 mm dia x 198 mm lg	534287	1	
6	A	G1 5315-99-944-0199	..PIN, COTTER, SPLIT, steel, 7/32 in. dia x 2-1/2 in. lg		1	
7	A	G1 5315-99-137-9683	..KEY, MACHINE, steel, 30 mm lg x 14 mm w x 9 mm h		1	
8	A	8REAT 5315-99-837-6772	..PIN, GROOVED, HEADLESS, 45 mm dia x 158 mm lg	632753	1	
9	A	6MT1 5365-99-825-1828	..RING, RETAINING, steel, 45 mm id x 1.75 mm thk	323760	2	
10	A	G1 5305-99-122-8591	..SCREW, MACHINE, SI, metric, steel, hex hd, 10 mm x 1.5 mm pitch x 30 mm lg		8	
11	A	G1 5310-99-135-9303	..WASHER, LOCK, steel, 10 mm		8	
13	A	8REAT 2590-99-837-6773	..GUIDE	81602	2	
14	A	8REAT 4320-99-837-4956	..RAM ASSEMBLY, HYDRAULIC	734007	1	See Fig 8 for details
15	A	8REAT 2590-99-837-6775	..PLATE	760974	1	
16	A	G1 5305-99-122-3392	..SCREW, SOCKET HEAD, SI, metric, steel, 10 mm x 1.5 mm pitch x 25 mm lg		4	
17	A	G1 5310-99-135-9303	..WASHER, LOCK, steel, 10 mm		8	
18	A	8REAT 2590-99-837-6774	..GUIDE	818859	2	
19	A	G1 5306-99-139-5064	..BOLT, MACHINE, SI, metric, steel, hex hd, 10 mm x 1.5 mm pitch x 130 mm lg		4	
20	A	G1 5310-99-122-5297	..NUT, PLAIN, HEXAGON, SI, metric, steel, 10 mm x 1.5 mm pitch		4	



C62/58

Fig 8 Telescopic ram

FIG ITEM	MAN CODE NAVY - N ARMY - A RAF - R	NATO STOCK NUMBER	ITEM NAME AND DESCRIPTION	PART NO./ DRAWING NO.	NO. OFF	ANNOTATIONS
Fig 8			ATLAS LOADING CRANE - contd			
1-13	A	8REAT 4320-99-837-4956	.RAM ASSEMBLY, HYDRAULIC	734007	1	
6	A	8REAT 5365-99-832-7098	..RING, RETAINING	412735	1	
7-11		NP	..NUT, CYLINDER ASSEMBLY	620680	1	
9	A	8REAT 4320-99-837-4957	..NUT, CYLINDER	053128	1	
13	A	8REAT 5365-99-826-6130	..RING, RETAINING, 54 mm dia	395404	1	
NI	A	8REAT 2590-99-833-1302	..PACKING SET, comprising items:- 2, 3, 5, 7, 8, 10 & 11	620839	1	

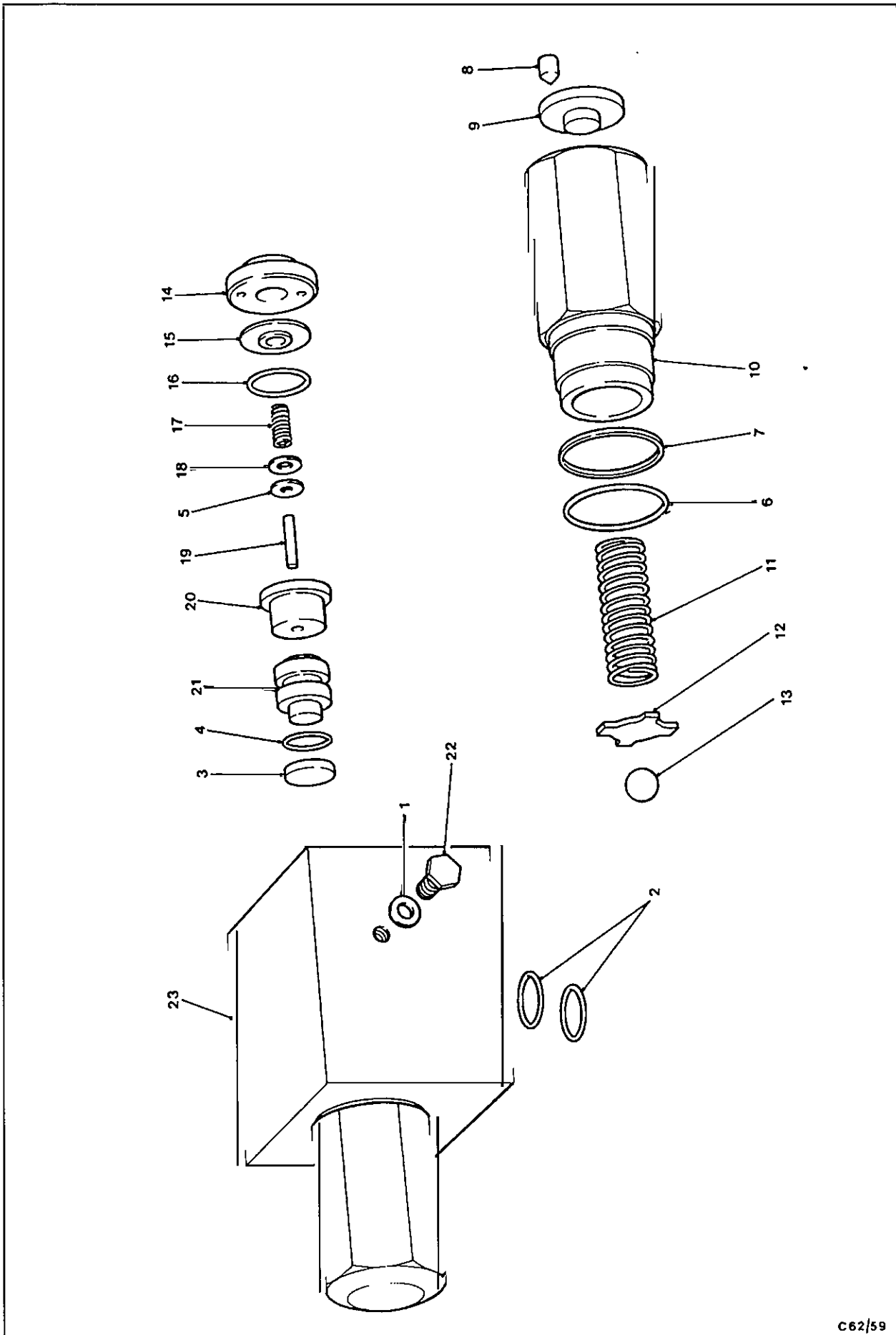
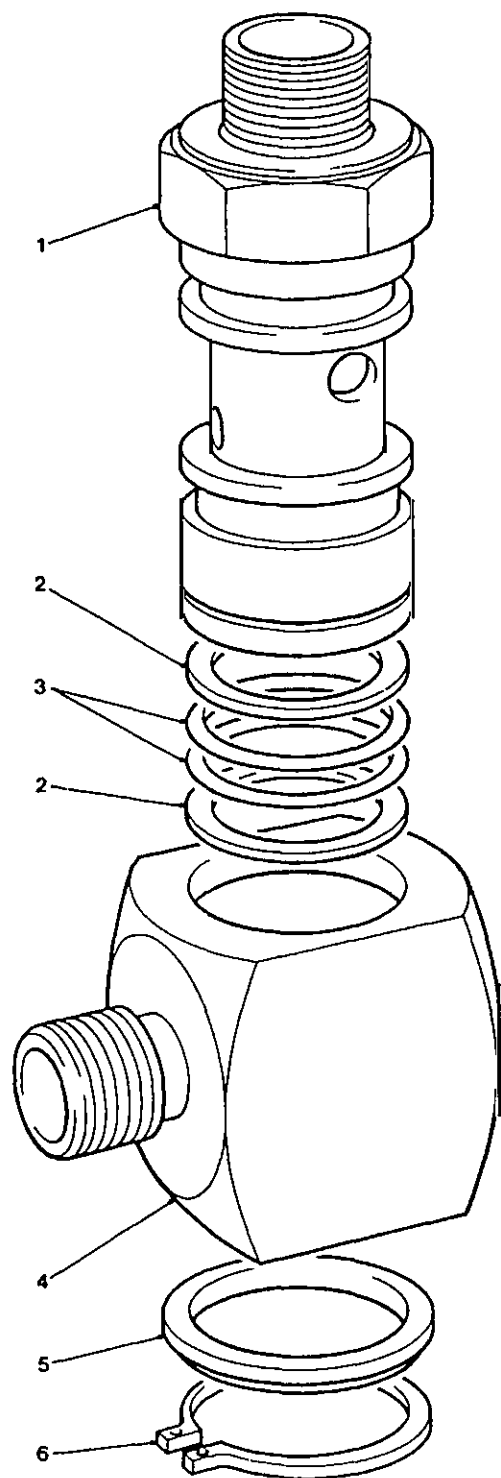


Fig 9 Load holding valve

C62/59

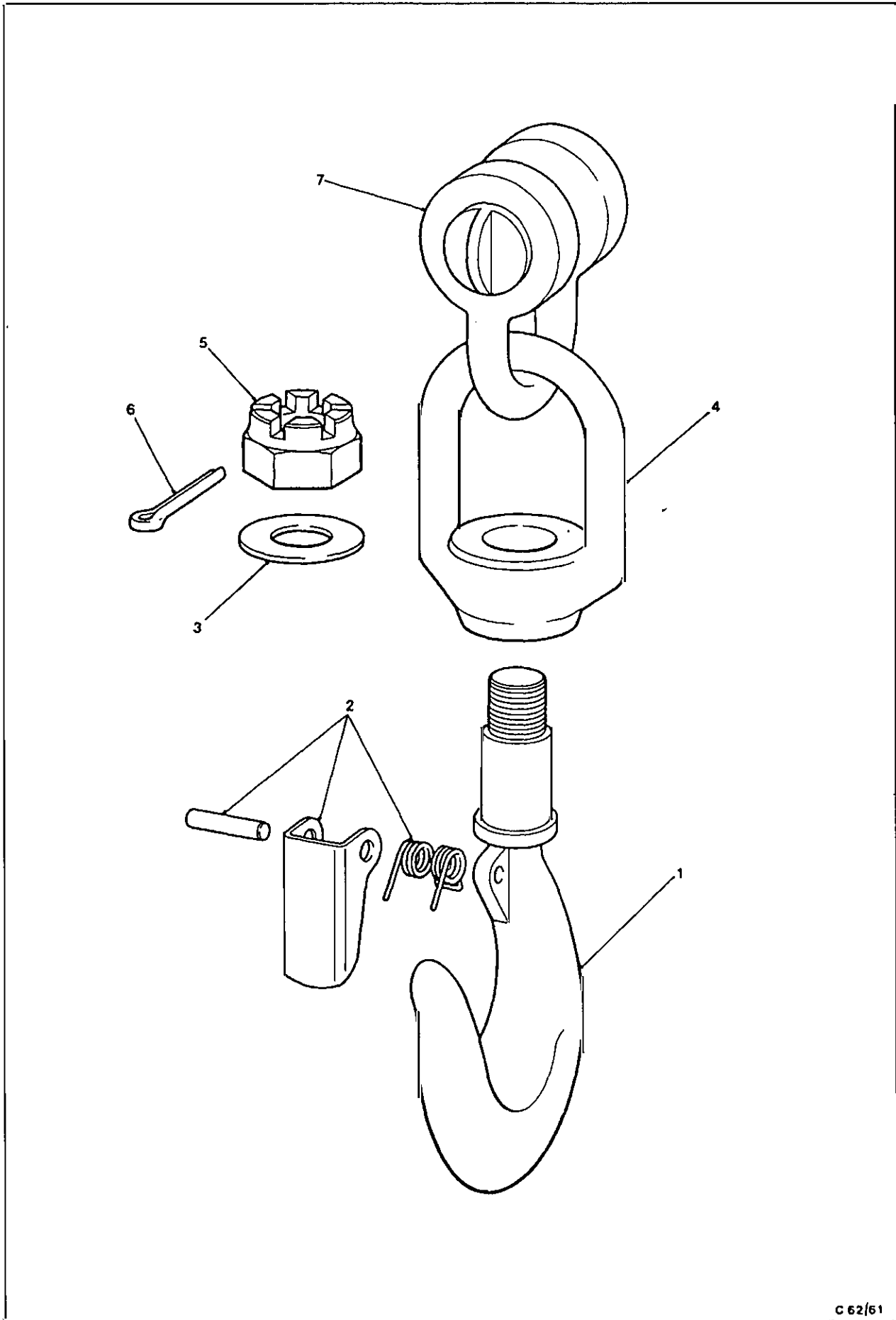
FIG ITEM	MAN CODE NAVY - N ARMY - A RAF - R	NATO STOCK NUMBER	ITEM NAME AND DESCRIPTION	PART NO./ DRAWING NO.	NO. OFF	ANNOTATIONS
Fig 9			ATLAS LOADING CRANE - contd			
1-23	A	8REAT 4810-99-837-6790	.VALVE, LOAD HOLDING	816824	1	
3-21	A	8REAT 2590-99-826-5948	..INSERT, LOAD HOLDING VALVE	486346	2	
11	A	8REAT 5360-99-826-6061	...SPRING, HELICAL, COMPRESSION, VALVE CONE	486631	2	
13	A	8REAT 3110-99-826-5954	...BALL, BEARING, steel, 8 mm dia	314703	2	
16	A	8REAT 2590-99-826-5951	...FILTER, HYDRAULIC FLUID	486448	2	
17	A	8REAT 5360-99-826-6050	...SPRING, HELICAL, COMPRESSION: hydraulic valve	486437	2	
18	A	8REAT 5365-99-826-6049	...RING, HYDRAULIC FILTER	486426	2	
19	A	8REAT 2590-99-838-3478	...PLUNGER	819634	2	
20	A	8REAT 2590-99-826-6046	...GUIDE, HYDRAULIC PISTON	486391	2	
21	A	8REAT 2590-99-826-6045	...PISTON, LOAD HOLDING VALVE	486380	2	
22	A	8REAT 5310-99-977-9039	..BOLT, MACHINE, SI, metric, steel, hex hd, M4 x 5 mm lg	346643	1	
NI	A	8REAT 2590-99-837-6791	..REPAIR KIT, comprising items:- 1 to 7	811396	1	



c62/60

Fig 10 Swivel joint

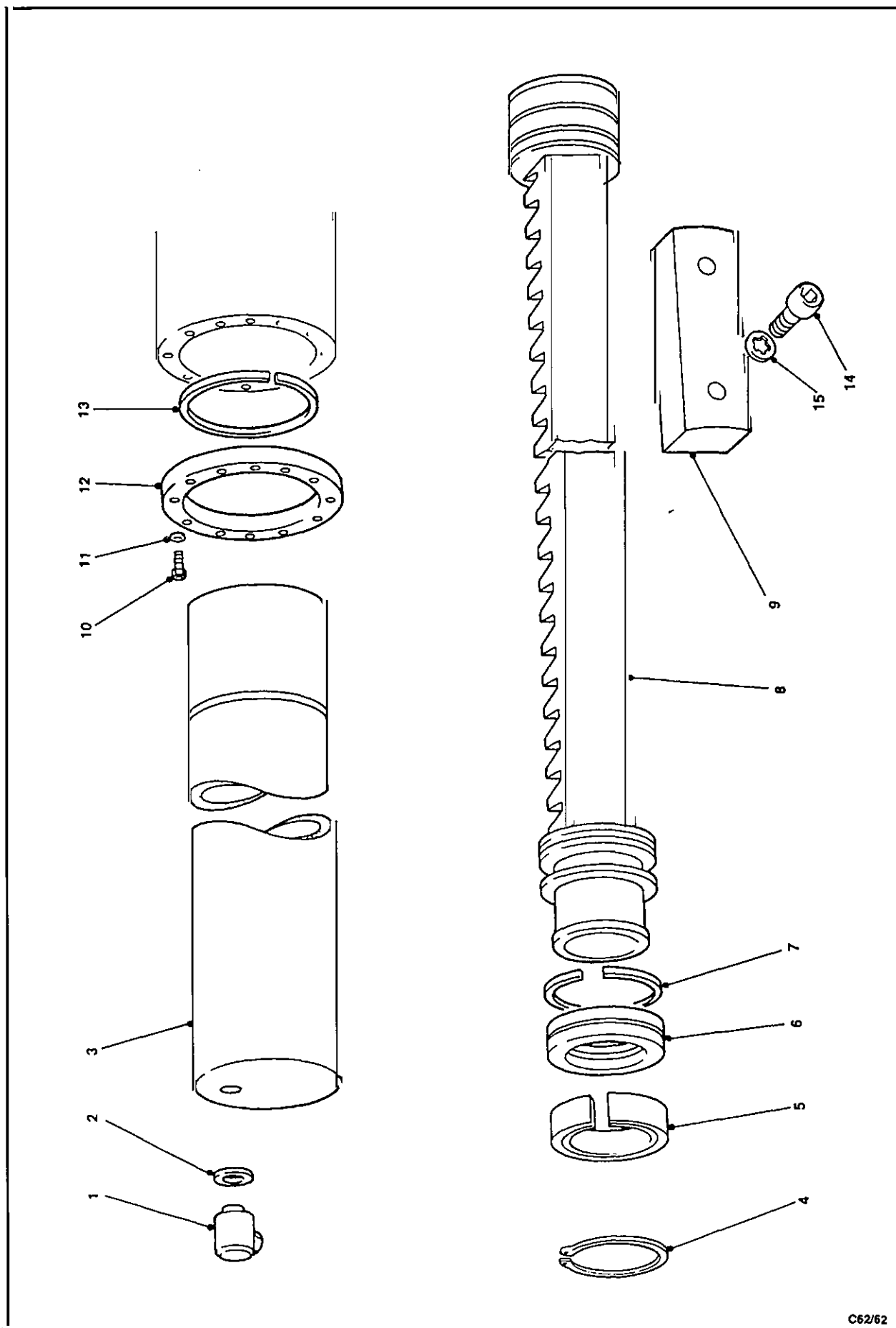
FIG ITEM	MAN CODE NAVY - N ARMY - A RAF - R	NATO STOCK NUMBER	ITEM NAME AND DESCRIPTION	PART NO./ DRAWING NO.	NO. OFF	ANNOTATIONS
Fig 10						
1-6	A	8REAT 4730-99-823-6082	ATLAS LOADING CRANE - contd			
2	A	8REAT 5335-99-824-5391	..SWIVEL JOINT, HYDRAULIC	301195	2	
3	A	8REAT 5330-99-823-6504	..PACKING, PREFORMED, 18.8 mm id x 24 mm od x 1 mm thk	383751	4	
5	A	8REAT 4730-99-823-7612	..RING, SEALING, TOROIDAL, 18 mm id x 3 mm thk	312825	4	
6	A	8REAT 5365-99-823-7613	..WASHER, SWIVEL JOINT, 24 mm id x 32 mm od x 3 mm thk	312858	2	
			..RING, RETAINING, steel, ext, 24 mm id x 1.2 mm thk	316727	2	



C 62/61

Fig 11 Swivel hook

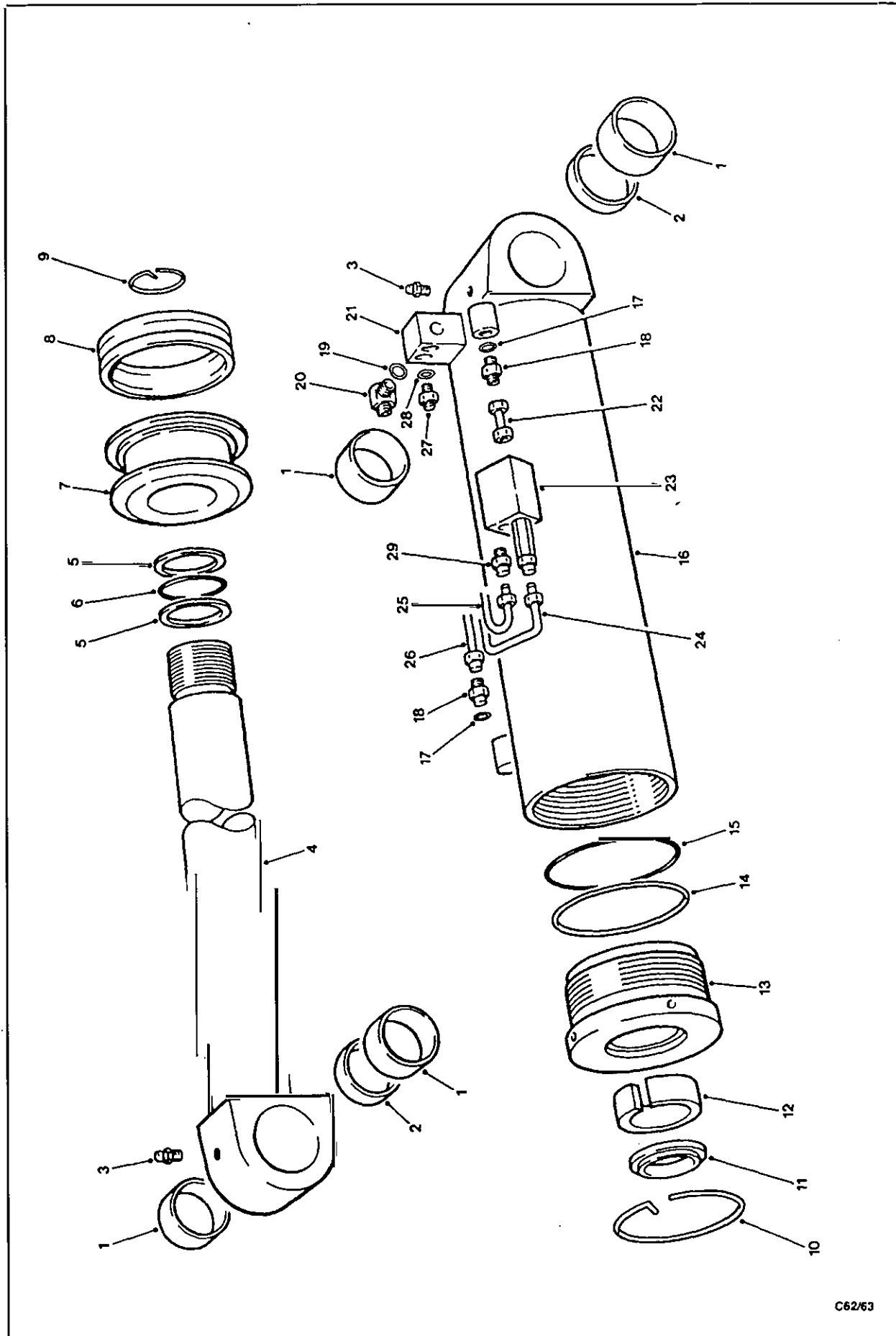
FIG ITEM	MAN CODE NAVY - N ARMY - A RAF - R	NATO STOCK NUMBER	ITEM NAME AND DESCRIPTION	PART NO./ DRAWING NO.	NO. OFF	ANNOTATIONS
Fig 11			ATLAS LOADING CRANE - contd			
1-7		NP	..SWIVEL HOOK ASSEMBLY	630295	1	
2	A	8REAT 4030-99-838-3484	..HOOK SAFETY CATCH ASSEMBLY	856048	1	
3		NP	..WASHER, FLAT	856049	1	
4	A	8REAT 4030-99-838-3485	..EYE, SWIVEL	856060	1	
5	A	G1 5310-99-135-9035	..NUT, CASTELLATED, HEXAGON, SI, metric, steel, 24 mm x 3 mm pitch	307679	1	
6	A	G1 5315-99-138-2213	..PIN, COTTER, SPLIT, steel, 5 mm x 50 mm lg		1	
7	A	8REAT 4030-99-838-3486	..SHACKLE; c/w bolt and nut	812400	1	



C62/62

Fig. 12 Slew ram

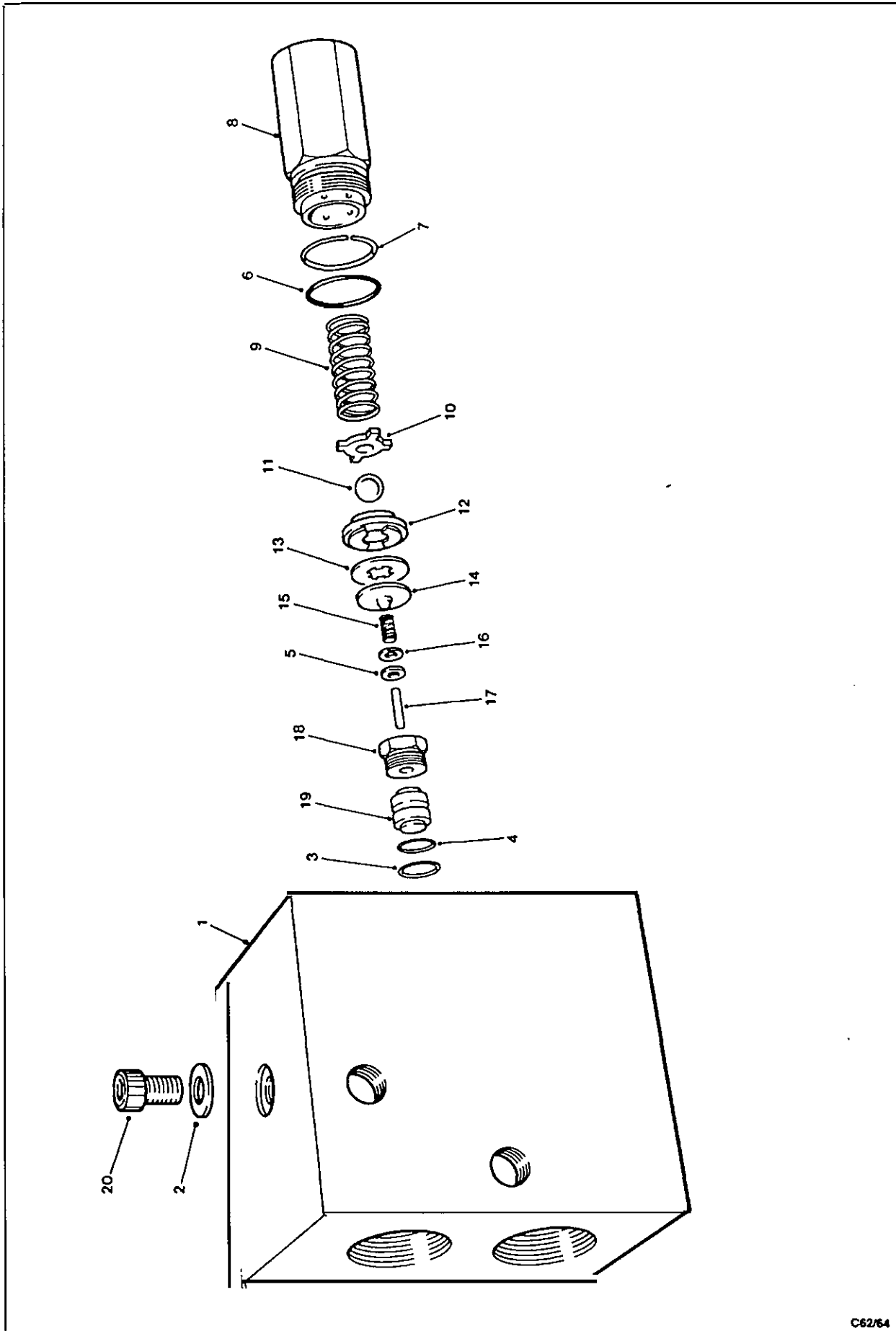
FIG ITEM	MAN CODE NAVY - N ARMY - A RAF - R	NATO STOCK NUMBER	ITEM NAME AND DESCRIPTION	PART NO./ DRAWING NO.	NO. OFF	ANNOTATIONS
Fig 12						
1-9	A	8REAT	4320-99-837-4954	ATLAS LOADING CRANE - contd .RAM ASSEMBLY, HYDRAULIC: slewing ram		
1	A	8REAT	4730-99-823-6084	..BANJO ASSEMBLY	708889	1
2	A	G1	5330-12-156-4524	..GASKET: banjo	300343	2
4	A	8REAT	5340-99-812-6967	..RING, RETAINING		2
5-7	A	8REAT	2590-99-833-1533	..PACKING SET	300774	2
6	A	8REAT	4320-99-824-5374	..WEAR RING	606637	1
8	A	8REAT	4320-99-837-4955	..RACK, SLEW	002022	2
9	A	8REAT	2590-99-833-1532	..GUIDE BLOCK	528961	1
					293978	1
NI	A	8REAT	4730-99-811-5976	.LUBRICATING NIPPLE	300569	1
10	A	G1	5305-99-122-5353	.SCREW, SOCKET HEAD, SI, metric, steel, 12 mm x 1.75 mm pitch x 40 mm lg		20
11	A	G1	5310-99-135-9294	.WASHER, LOCK, steel, 12 mm		20
12	A	8REAT	2590-99-833-1530	.FLANGE RING	293989	2
13	A	8REAT	4320-99-824-5372	.RING, SPLIT	293990	2
14	A	G1	5305-99-135-1296	.SCREW, SOCKET HEAD, SI, metric, steel, 16 mm x 2 mm pitch x 40 mm lg		2
15	A	G1	5310-99-135-4102	.WASHER, LOCK, steel, 16 mm		2



C62/63

Fig 13. Lift ram

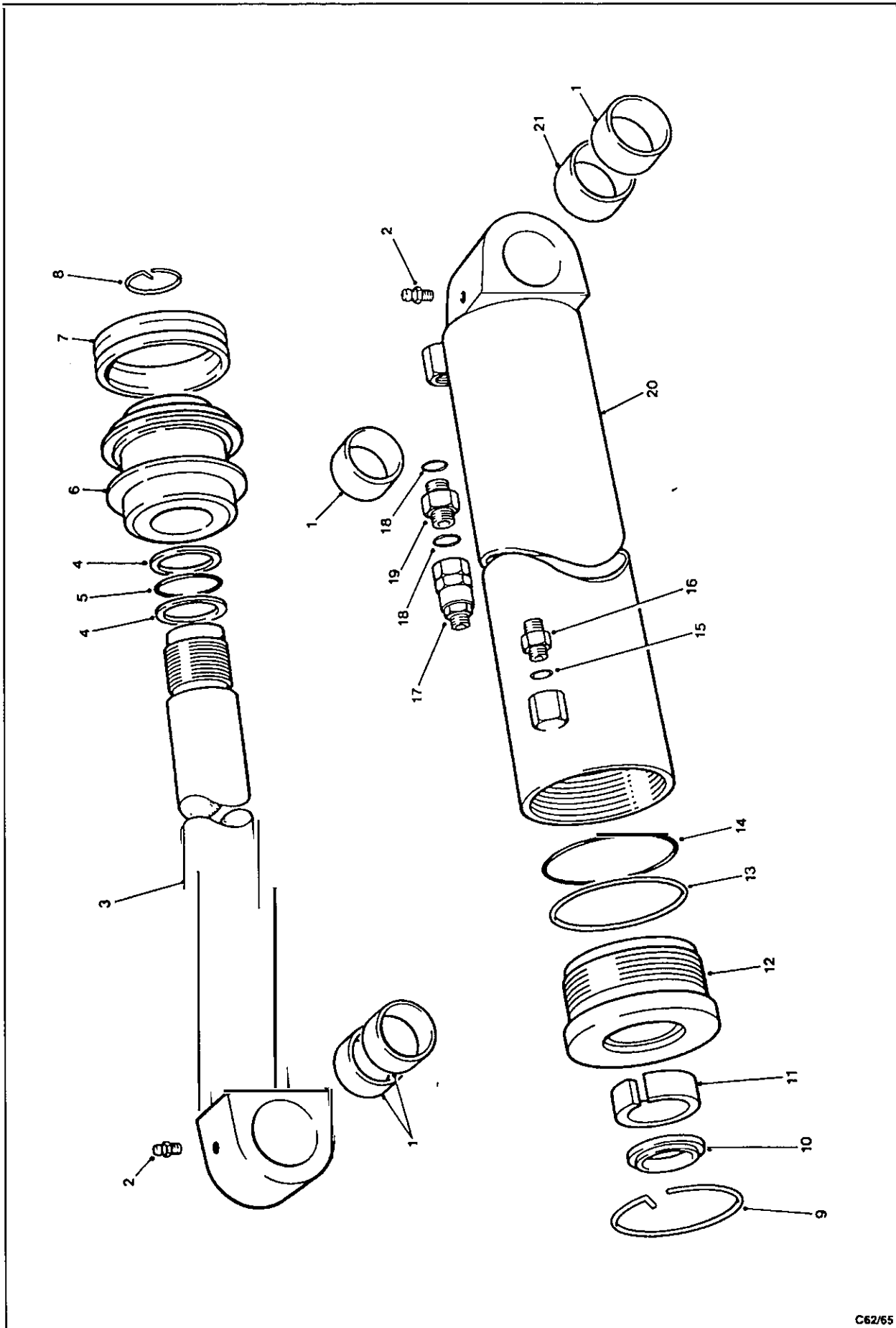
FIG ITEM	MAN CODE NAVY - N ARMY - A RAF - R	NATO STOCK NUMBER	ITEM NAME AND DESCRIPTION	PART NO./ DRAWING NO.	NO. OFF	ANNOTATIONS
Fig 13			ATLAS LOADING CRANE - contd			
1-29	A	8REAT 4320-99-838-3487	..RAM ASSEMBLY, HYDRAULIC, LIFT	744065	1	
1	A	8REAT 3120-99-838-3330	..BUSHING, SLEEVE	151591	4	
2	A	8REAT 4730-99-811-5976	..LUBRICATING NIPPLE	300569	3	
9	A	8REAT 5365-99-824-0810	..RING, RETAINING, 68.5 mm dia x 3 mm w	360696	1	
10	A	8REAT 5365-99-825-8440	..RING, RETAINING, 144 mm dia x 3.2 mm w	418980	1	
17	A	G1 5330-12-156-4530	..GASKET, copper, 22 mm id x 29 mm od x 5 mm thk		2	
18	A	8REAT 2590-99-833-1395	..COUPLING	455021	2	
19	A	G1 5330-12-156-4526	..GASKET		2	
20	A	8REAT 4730-99-823-6082	..SWIVEL JOINT, HYDRAULIC	301195	1	See Fig 10 for details
21	A	8REAT 4730-99-838-3331	..CONNECTOR, MULTIPLE, FLUID PRESSURE LINE	947708	1	
23	A	8REAT 4810-99-838-3479	..VALVE, LOAD HOLDING	861716	1	See Fig 14 for details
27	A	8REAT 4730-99-826-6134	..CONNECTOR, SCREWED, HYDRAULIC, 12 mm	425387	2	
28	A	G1 5330-12-156-4524	..GASKET, copper, 16.2 mm id x 19.9 mm od x 1.5 mm thk		2	
29	A	8REAT 4730-99-838-3332	..DOUBLE ENDED UNION, PIPE, MALE	462564	4	
NI	A	8REAT 4320-99-837-4961	..PARTS KIT, LIFTING RAM, comprising items:- 5, 6, 8, 11, 12, 14 & 15	627507	1	



C62/64

Fig 14. Load holding valve

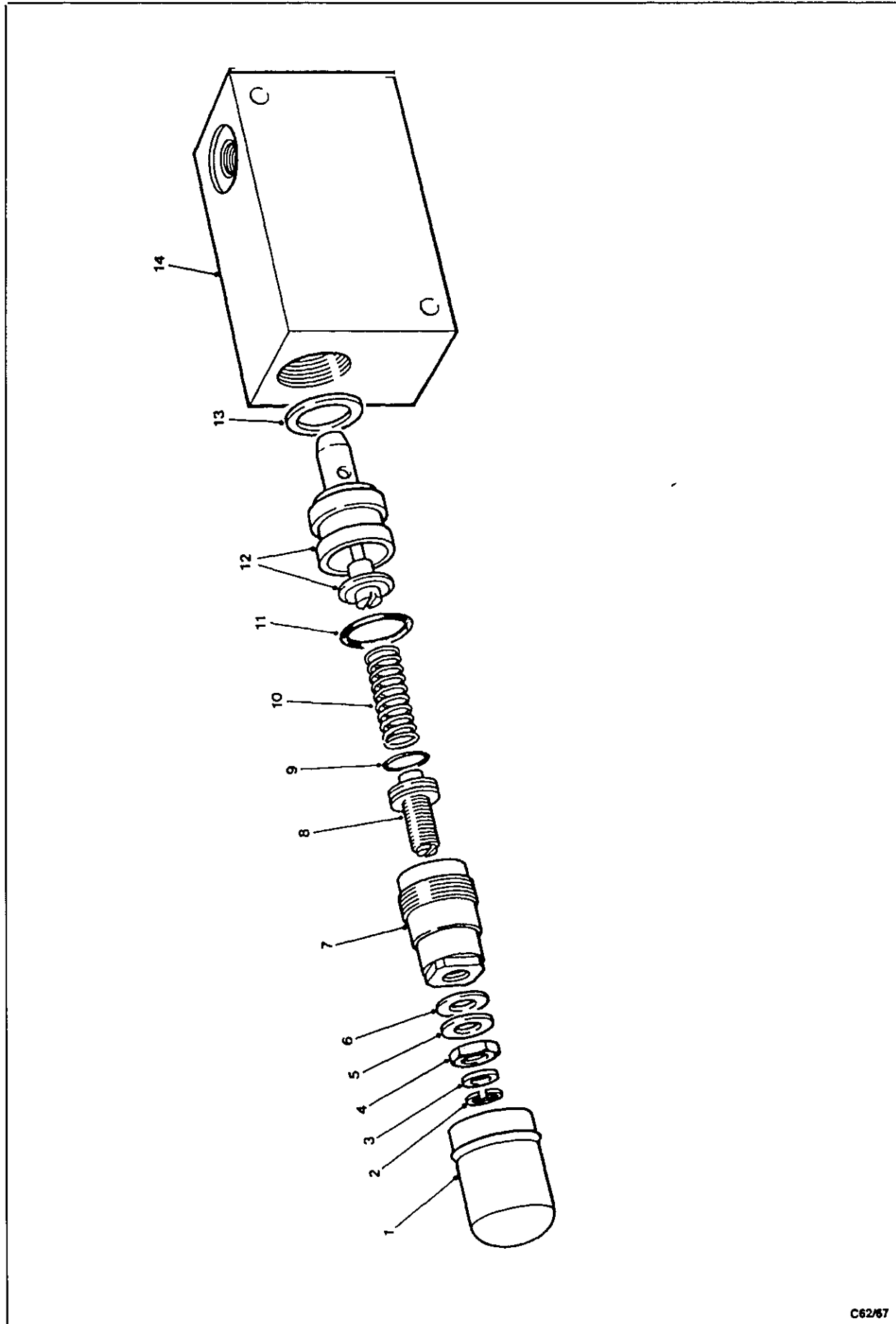
FIG ITEM	MAN CODE NAVY - N ARMY - A RAF - R	NATO STOCK NUMBER	ITEM NAME AND DESCRIPTION	PART NO./ DRAWING NO.	NO. OFF	ANNOTATIONS
Fig 14			ATLAS LOADING CRANE - contd			
1-20	A	8REAT 4810-99-838-3479	.VALVE, LOAD HOLDING	861716	1	
2-7	A	8REAT 2590-99-837-6791	..REPAIR KIT	811396	1	
3-19	A	8REAT 4810-99-838-3333	..INSERT ASSEMBLY, LOAD HOLDING VALVE	819543	1	
9	A	8REAT 5360-99-826-6061	...SPRING, COMPRESSION, VALVE CONE	486631	1	
11	A	8REAT 3110-99-826-5954	...BALL, BEARING, steel, 8 mm dia	314703	1	
14	A	8REAT 2590-99-826-5951	...FILTER, HYDRAULIC FLUID	486448	1	
15	A	8REAT 5360-99-826-6050	...SPRING, HELICAL, COMPRESSION: hydraulic valve	486437	1	
16	A	8REAT 5365-99-826-6049	...RING, HYDRAULIC VALVE	486426	1	
17	A	8REAT 2590-99-838-3478	...PLUNGER	819634	1	
18	A	8REAT 2590-99-826-6046	...GUIDE, HYDRAULIC PISTON	486391	1	
19	A	8REAT 2590-99-826-6045	...PISTON, LOAD HOLDING VALVE	486380	1	
20	A	G1 5305-99-135-1283	..SCREW, SOCKET HEAD, SI, metric, steel, 4 mm x 0.7 mm pitch x 6 mm lg		1	



C62/65

Fig 15. Jib ram

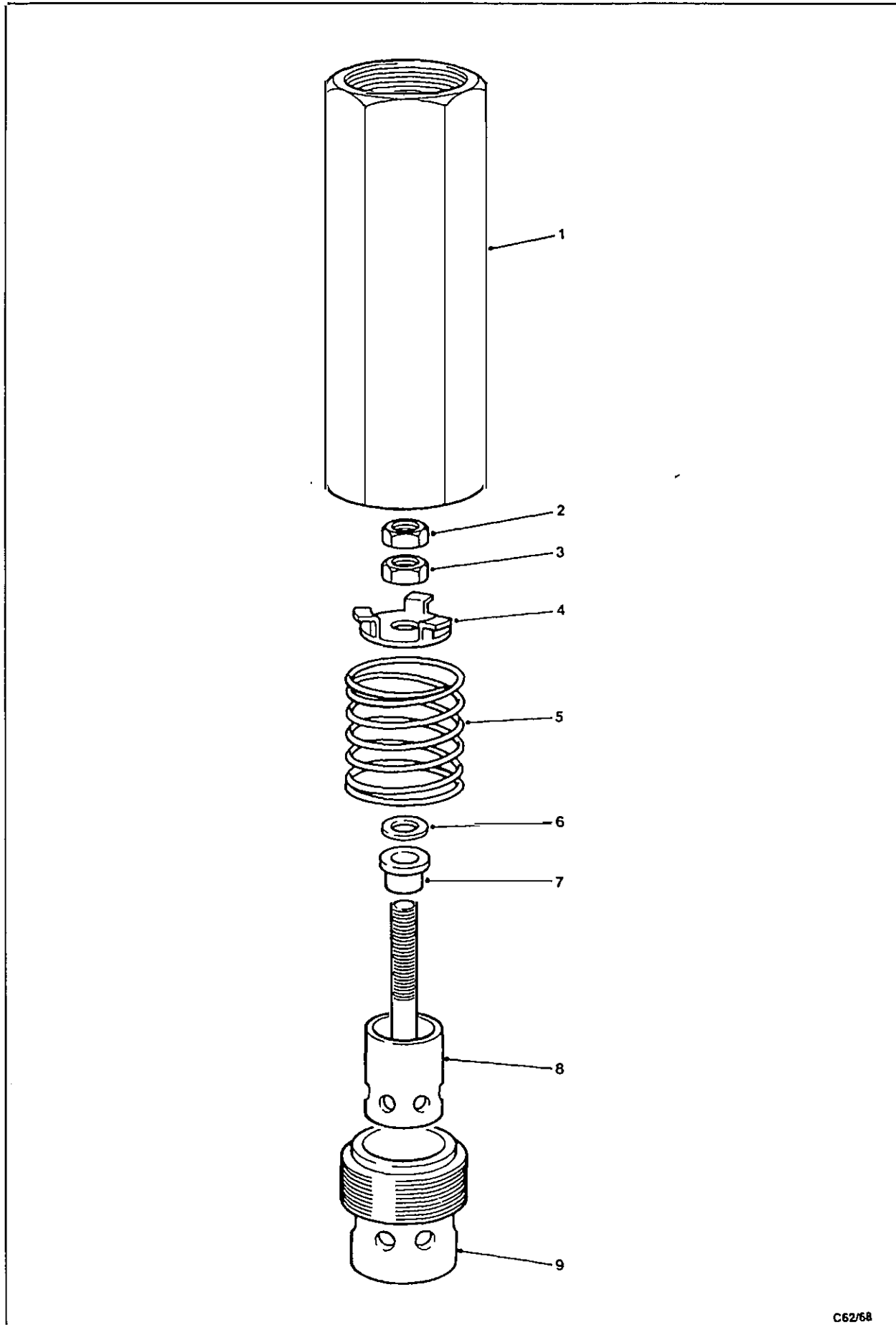
FIG ITEM	MAN CODE NAVY - N ARMY - A RAF - R	NATO STOCK NUMBER	ITEM NAME AND DESCRIPTION	PART NO./ DRAWING NO.	NO. OFF	ANNOTATIONS
Fig 16			ATLAS LOADING CRANE - contd			
1-8	A	8REAT 4820-99-832-2315	.VALVE, SAFETY	608537	1	
1	A	8REAT 4320-99-837-4959	..HOUSING	159306	1	
2	A	8REAT 5360-99-832-2316	..SPRING, HELICAL, COMPRESSION	305893	1	
3	A	8REAT 5330-99-832-2317	..RING, SEALING	329959	1	
4	A	8REAT 5310-99-139-5268	..NUT, HEXAGON	159339	1	
5	A	8REAT 4820-99-832-2318	..VALVE, INNER	159317	1	
6	A	8REAT 3110-99-832-2319	..BALL, 15 mm dia	307282	1	
7	A	8REAT 5365-99-832-2320	..SPACER, 20 mm od x 10 mm h	159328	1	
8	A	6MT1 5365-99-101-2615	..RING, RETAINING, steel, 18 mm id	384081	1	
NI	A	X5 6210-99-791-2463	.LIGHT, INDICATOR; c/w harness		1	SWL indicator



C62/67

Fig 17. R lief valv

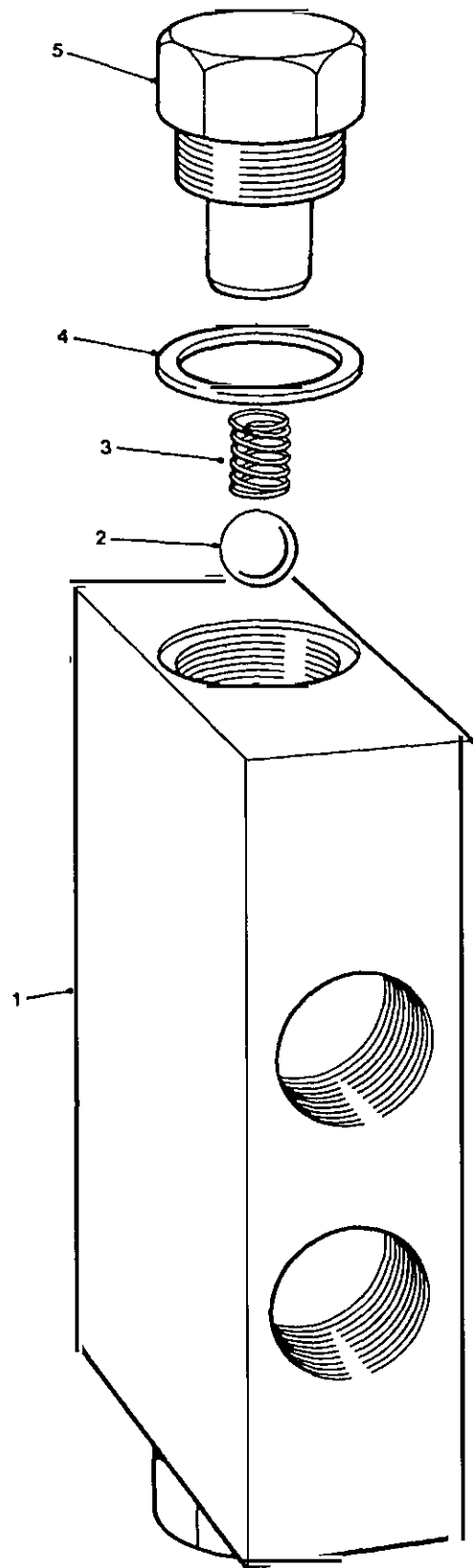
FIG ITEM	MAN CODE NAVY - N ARMY - A RAF - R	NATO STOCK NUMBER	ITEM NAME AND DESCRIPTION	PART NO./ DRAWING NO.	NO. OFF	ANNOTATIONS
Fig 17			ATLAS LOADING CRANE - contd			
1-14	A	8REAT 2590-99-833-1525	..DOUBLE RELIEF VALVE ASSEMBLY	609038	1	
1-13	A	8REAT 2590-99-833-1526	..VALVE CARTRIDGE	378798	2	
2	A	6MT1 5365-99-811-0810	..RING, RETAINING, steel, 6 mm id, x 0.7 mm thk	312563	2	
3	A	8REAT 5310-99-977-9034	..WASHER, FLAT	347360	2	
4	A	8REAT 5310-99-977-9035	..NUT, PLAIN, HEXAGON	347359	2	
5	A	8REAT 5310-99-977-9036	..WASHER, FLAT	347371	2	
6	A	8REAT 5310-99-977-9037	..WASHER, FLAT	312574	2	
7	A	8REAT 2590-99-838-3476	..SCREW ADAPTOR	347382	2	
8	A	8REAT 2590-99-833-1527	..SET SCREW, ADJUSTING	347393	2	
9	A	6NT9 5330-99-823-6522	..RING, SEALING, TOROIDAL	312585	2	
10	A	6NT9 5360-99-823-6600	..SPRING, HELICAL, COMPRESSION	320838	2	
11	A	6NT9 5330-99-823-6523	..RING, SEALING, TOROIDAL	312347	2	
12	A	6NT9 4820-99-823-7195	..BODY AND CONE	312609	2	
13	A	6NT9 5330-99-823-6524	..GASKET	312621	2	



C62/68

Fig 18. Lowering brake valve

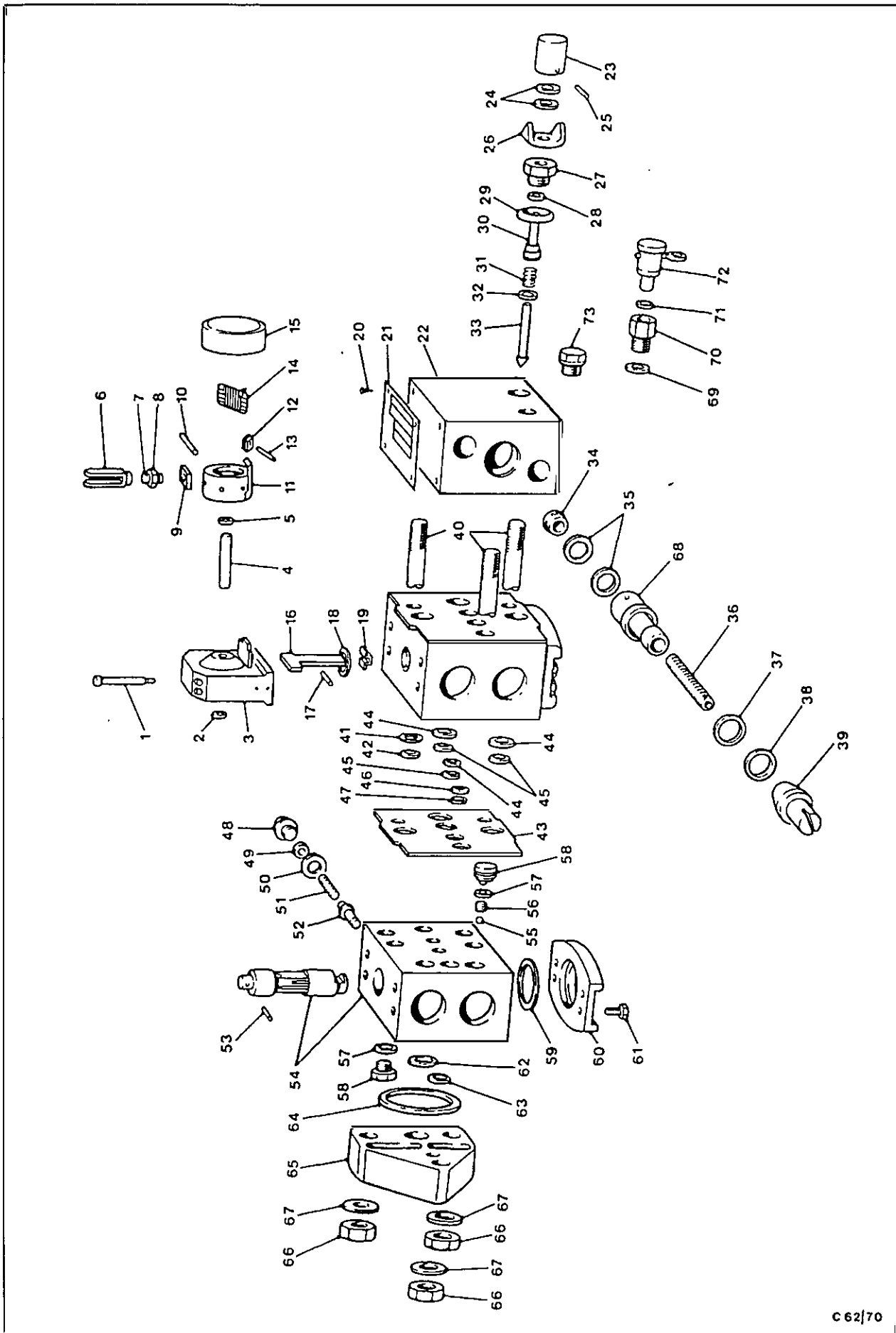
FIG ITEM	MAN CODE NAVY - N ARMY - A RAF - R	NATO STOCK NUMBER	ITEM NAME AND DESCRIPTION	PART NO./ DRAWING NO.	NO. OFF	ANNOTATIONS
Fig 18						
1-9	A	8REAT 2590-99-833-1534	ATLAS LOADING CRANE - contd .VALVE, LOWERING, BRAKE	811681	1	
1	A	8REAT 2590-99-838-3477	..HOUSING	811749	1	
2	A	8REAT 5310-99-139-3626	..NUT	494642	1	
3	A	G1 5310-99-135-0766	..NUT, PLAIN, HEXAGON, SI, metric, steel, 4 mm x 0.7 mm pitch		1	
4	A	8REAT 2590-99-833-1535	..SPRING SUPPORT	811738	1	
5	A	8REAT 5360-99-833-1536	..SPRING, HELICAL, COMPRESSION	811727	1	
6	A	8REAT 5365-99-826-7013	..RING, RETAINING, 4 mm dia x 0.6 mm thk	494619	1	
7	A	8REAT 2590-99-833-1537	..BUSH	811716	1	
8	A	8REAT 2590-99-833-1538	..PISTON VALVE	811705	1	
9	A	8REAT 2590-99-833-1539	..BUSH, PISTON SLEEVE	811692	1	



C62/69

Fig 19. Non-return valve

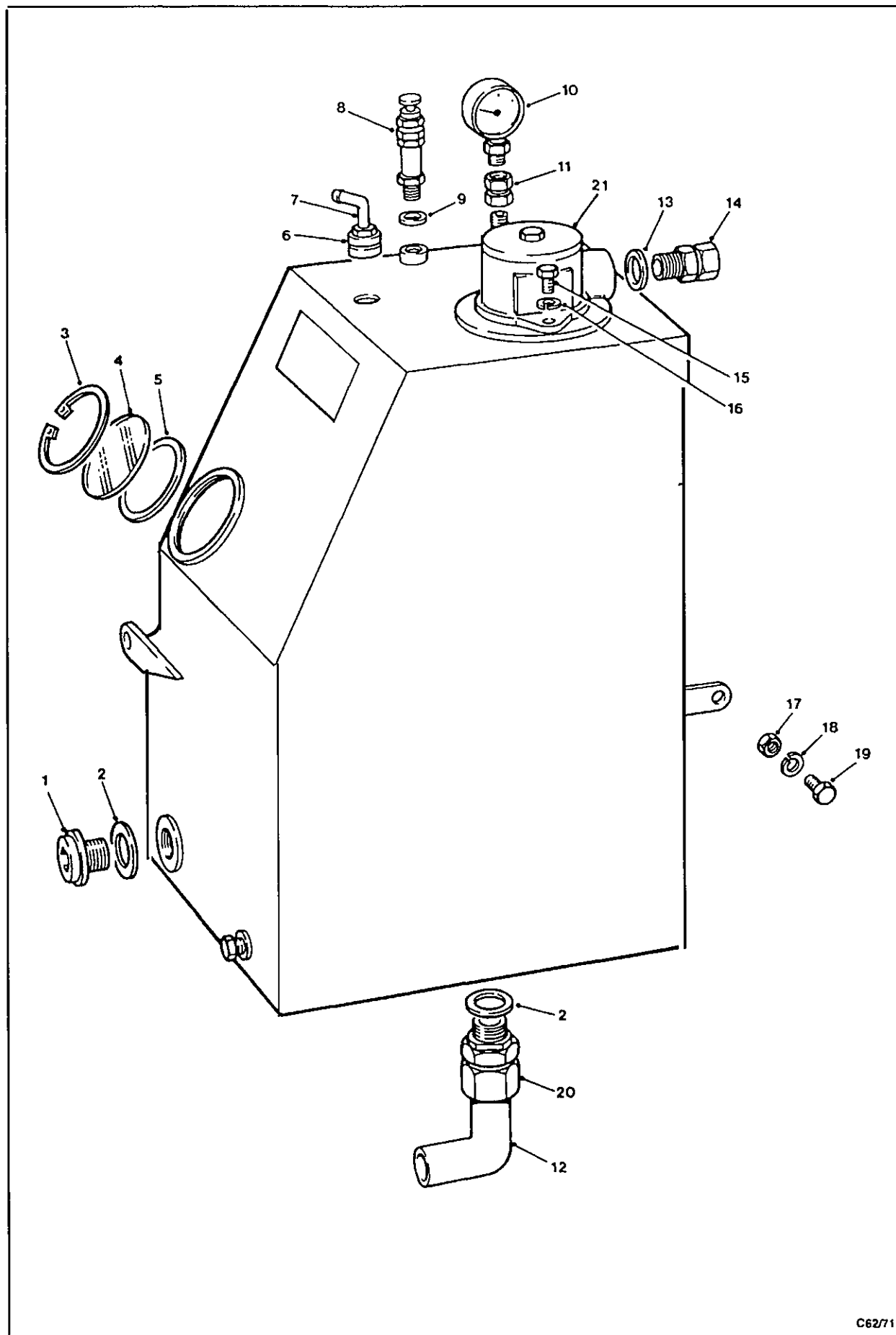
FIG ITEM	MAN CODE NAVY - N ARMY - A RAF - R	NATO STOCK NUMBER	ITEM NAME AND DESCRIPTION	PART NO./ DRAWING NO.	NO. OFF	ANNOTATIONS
Fig 19			ATLAS LOADING CRANE - contd			
1-5	A	8REAT 2590-99-838-6189	.VALVE, DOUBLE, NON-RETURN	1302041	1	
NI	A	8REAT 2590-99-838-6190	..SEAT, VALVE	1302052	2	
NI	A	8REAT 2590-99-838-6191	..STEM, NON-RETURN VALVE	1302063	2	
NI	A	8REAT 2590-99-838-6192	..DISC, SPRING, VALVE	1302074	2	
2	A	8REAT 3110-99-827-7915	..BALL, STEEL, 4 mm dia	304278	2	
3	A	8REAT 5360-99-838-6193	..SPRING, HELICAL, COMPRESSION	0862604	2	
4	A	G1 5330-99-156-4529	..GASKET, copper, 22 mm id x 27 mm od x 1.5 mm thk		2	
5	A	8REAT 2590-99-838-6194	..PLUG, VALVE	0862591	2	



C 62/70

Fig 20 Control valve

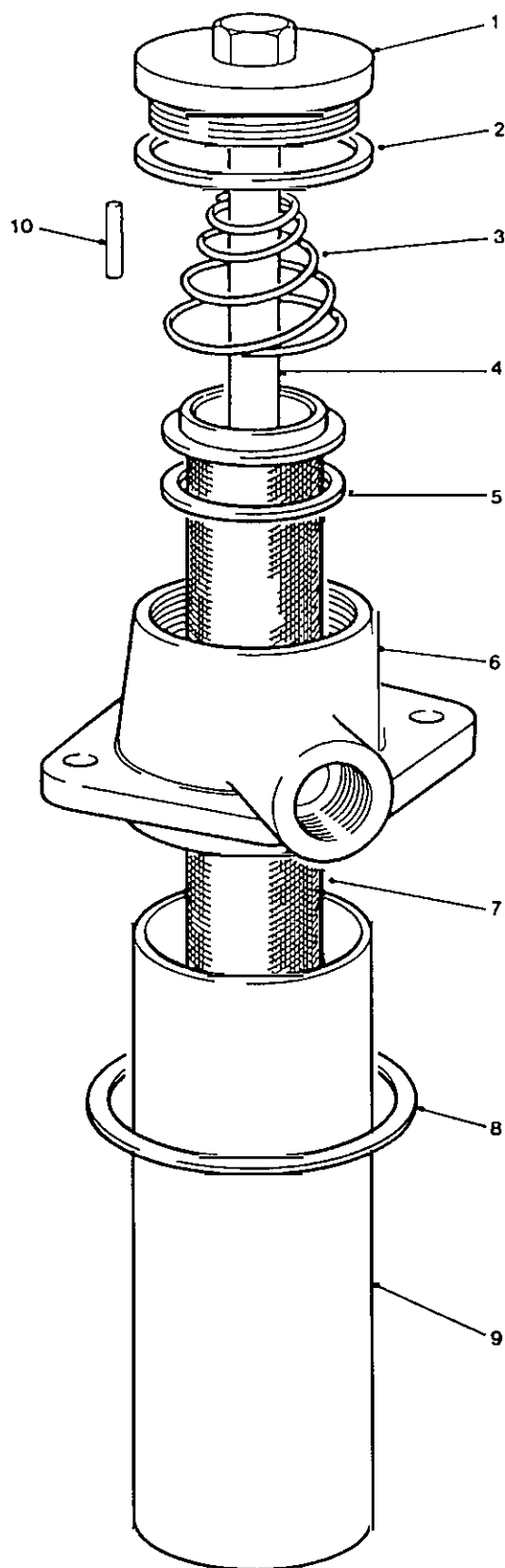
FIG ITEM	MAN CODE NAVY - N ARMY - A RAF - R	NATO STOCK NUMBER	ITEM NAME AND DESCRIPTION	PART NO./ DRAWING NO.	NO. OFF	ANNOTATIONS
Fig 20						
1-72	A	8REAT 2590-99-838-2737	ATLAS LOADING CRANE - contd			
1	A	8REAT 5305-99-838-2740	.VALVE ASSEMBLY, CONTROL	861692	1	
2	A	8REAT 5330-99-826-5876	..SCREW, SOCKET HEAD, SI, metric, steel, M6 x 65 mm lg	494824	4	
3		NP	..GASKET, copper, 10.4 mm id x 15.2 mm od x 3.8 mm thk	494084	2	
4		NP	..LEVER HOUSING	811896	1	
5	A	8REAT 5310-99-826-5875	..SHAFT	811909	1	
6	A	8REAT 2590-99-838-2741	..WASHER, CONTROL LEVER	494073	1	
7	A	8REAT 5307-99-838-2742	..FORK HEAD	487201	1	
8	A	8REAT 5310-99-838-2743	..STUD, CONTINUOUS THREAD, SI, metric, 8 mm x 35 mm lg	437687	1	
9	A	8REAT 5310-99-838-2744	..NUT, PLAIN, HEXAGON, SI, metric, 8 mm	494233	1	
10	A	G1 5315-99-138-7025	..WASHER, SQUARE	494164	1	
13	A	G1 5315-99-139-7206	..PIN, SPRING, steel, 4 mm dia x 24 mm lg		1	
14	A	8REAT 5360-99-833-0180	..PIN, SPRING, steel, 3 mm dia x 10 mm lg		1	
16	A	8REAT 2590-99-833-0181	..SPRING, TORSION, CONTROL LEVER	811943	1	
17	A	G1 5315-99-139-3793	..LEVER, CONTROL VALVE	811954	1	
18	A	8REAT 5330-99-827-1848	..PIN, SPRING, steel, 4 mm dia x 16 mm lg	494120	1	
40	A	8REAT 5306-99-139-7397	..RING, SEALING	320212	1	
(A	8REAT	2590-99-838-2738	..ROD, THREADED END	812079	3	
			..VALVE BLOCK ASSEMBLY	862853	1	Jib lifting
41-61	(A	8REAT 2590-99-833-1434	..VALVE BLOCK ASSEMBLY	812295	1	Jib folding
41-47	(A	8REAT 2590-99-833-0197	...VALVE BLOCK ASSEMBLY	812319	3	Telescopic and stabilizers
53-54	(A	8REAT 2590-99-833-0195	...VALVE BLOCK ASSEMBLY	812308	1	Slewing
59-61			...RING, SEALING, TOROIDAL	318490	3	
57	A	8REAT 5330-99-833-1475	...RING, SEALING, RELIEF VALVE	300627	1	
59	A	8REAT 5330-99-827-1307	...SCREW, MACHINE, SI, metric, steel, hex hd, M6 x 12 mm lg	342412	4	
61	A	8REAT 5305-99-838-2745				
62-65	A	8REAT 2590-99-838-2739	.END PLATE, VALVE ASSEMBLY	812320	1	
62	A	8REAT 5330-99-838-2746	..GASKET	812217	1	
63	A	8REAT 5330-99-838-2748	..GASKET	812228	1	
NI	A	8REAT 2590-99-833-1438	.PACKING SET, CONNECTION BLOCK, comprising items: 28, 29, 35, 37 & 38	812262	1	
NI	A	8REAT 2590-99-833-1439	.PACKING SET, CONNECTION BLOCK, comprising items: 41, 42, 44 & 47	812342	1	
NI	A	8REAT 2590-99-833-1440	.PACKING SET, CONTROL VALVE	812251	1	
NI	A	8REAT 2590-99-833-0182	.BLOCK, CONNECTING ASSEMBLY, comprising items: 39, 68 & 71	811987	1	



C62/71

Fig 21. Oil tank

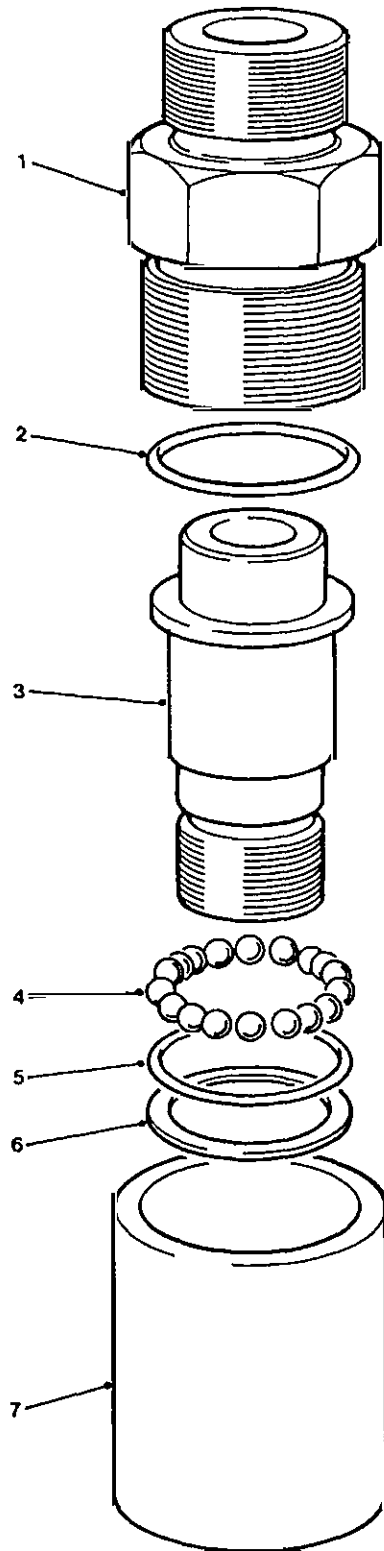
FIG ITEM	MAN CODE NAVY - N ARMY - A RAF - R	NATO STOCK NUMBER	ITEM NAME AND DESCRIPTION	PART NO./ DRAWING NO.	NO. OFF	ANNOTATIONS
Fig 21						
1-21		NP	ATLAS LOADING CRANE - contd			
1	A	6MT1 5365-99-825-2007	..OIL TANK ASSEMBLY ..PLUG, RECESSED, recessed hex drive	711931 313871	1 1	
2	A	8REAT 5330-99-130-3087	..GASKET, copper, 42 mm id x 49 mm od x 2 mm thk	306383	2	
3	A	6MT1 5365-99-823-7180	..RING, RETAINING, steel, int, 70 mm od x 2.5 mm thk	300116	1	
4	A	8REAT 2590-99-823-6512	..SIGHT GLASS, 70 mm dia x 4 mm thk	302301	1	
5	A	8REAT 5330-99-823-8268	..RING, SEALING, TOROIDAL, 65 mm dia x 3 mm thk	351297	2	
6	A	8REAT 2590-99-825-2009	..GROMMET, AIR VALVE ELBOW, rubber, 8 mm id x 30 mm od x 2.5 mm thk	385844	2	
7	A	8REAT 2590-99-825-2010	..ELBOW, AIR VALVE	302334	1	
8	A	8REAT 4820-99-825-2011	..RELIEF VALVE	302389	1	
9	A	G1 5330-12-156-4522	..GASKET, copper, 14.35 mm id x 17 mm od x 1.5 mm thk		1	
10	A	8REAT 2590-99-825-2013	..PRESSURE GAUGE, 0.6 bar	302367	1	
11	A	8REAT 4730-99-825-2014	..ADAPTOR, GAUGE FITTING, double hex nuts, M18	302378	1	
13	A	G1 5330-99-156-4529	..WASHER, FLAT, copper, 22 mm id x 27 mm od x 1.5 mm thk		1	
14	A	8REAT 4730-99-827-2798	..ADAPTOR, STRAIGHT, PIPE, steel, M26 x 36.5 mm o/a lg	002994	1	
15	A	G1 5305-99-122-5365	..SCREW, MACHINE, SI, metric, steel, hex hd, M8 x 16 mm lg		2	
16	A	G1 5310-99-135-9293	..WASHER, LOCK, steel, 8 mm		2	
17	A	G1 5310-99-122-5297	..NUT, PLAIN, HEXAGON, SI, metric, steel, M10		3	
18	A	G1 5310-99-135-9303	..WASHER, LOCK, steel, 10 mm		3	
19	A	G1 5305-99-122-3356	..SCREW, MACHINE, SI, metric, steel, hex hd, M10 x 25 mm lg		3	
20	A	8REAT 4730-99-823-7190	..ADAPTOR, STRAIGHT, PIPE, BSPP, 1-1/4 in.	306941	1	
21	A	8REAT 2590-99-825-2015	..FILTER, FLUID, PRESSURE	33044	1	See Fig 22 for details



C62/72

Fig22. Filter

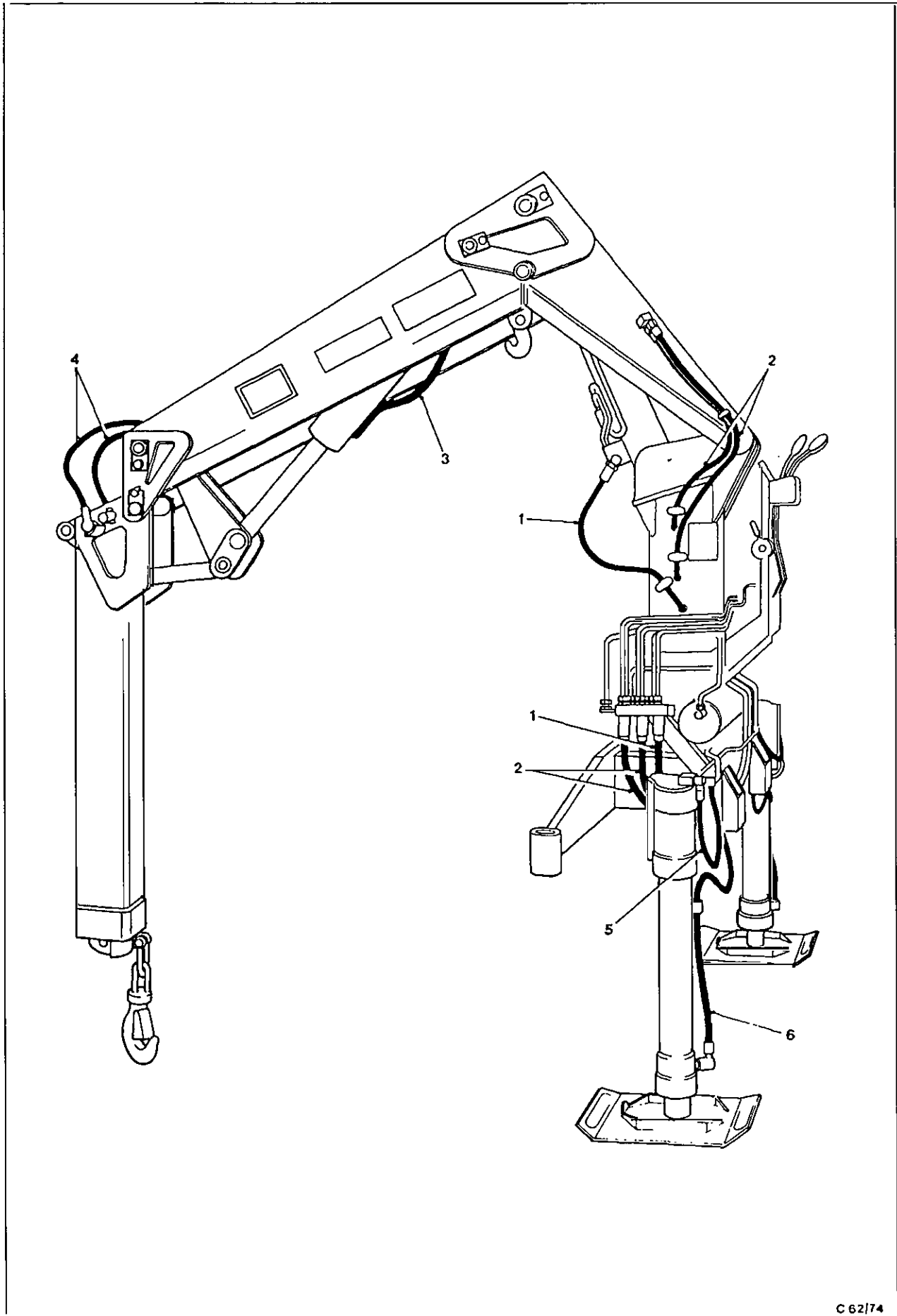
FIG ITEM	MAN CODE NAVY - N ARMY - A RAF - R	NATO STOCK NUMBER	ITEM NAME AND DESCRIPTION	PART NO./ DRAWING NO.	NO. OFF	ANNOTATIONS
Fig 22						
1-9	A	8REAT	2590-99-825-2015	ATLAS LOADING CRANE - contd		
1	A	8REAT	2590-99-825-2016	.FILTER, FLUID, PRESSURE	331044	1
2	A	8REAT	2590-99-833-1357	..CAP, FILTER HOUSING, flanged; w/hex wrenching feature	315657	1
3	A	8REAT	5360-99-825-2018	..WASHER, FILTER CAP	811885	1
4	A	8REAT	2590-99-825-2019	..SPRING, FILTER ELEMENT	315680	1
5	A	8REAT	5330-99-825-2020	..MAGNET ROD, FILTER	315679	1
6	A	8REAT	2590-99-837-6788	..WASHER, FILTER ELEMENT	315704	1
7	A	8REAT	2590-99-833-1358	..HOUSING, FILTER	412133	1
8	A	8REAT	5330-99-825-2022	..FILTER ELEMENT, FLUID, PRESSURE	484902	1
10	A	G1	5315-99-629-0510	..GASKET, FILTER TUBE	331533	1
				..PIN, SPRING, steel, 3 mm dia x 33 mm lg		1



C62/73

Fig 23. Swivel coupling

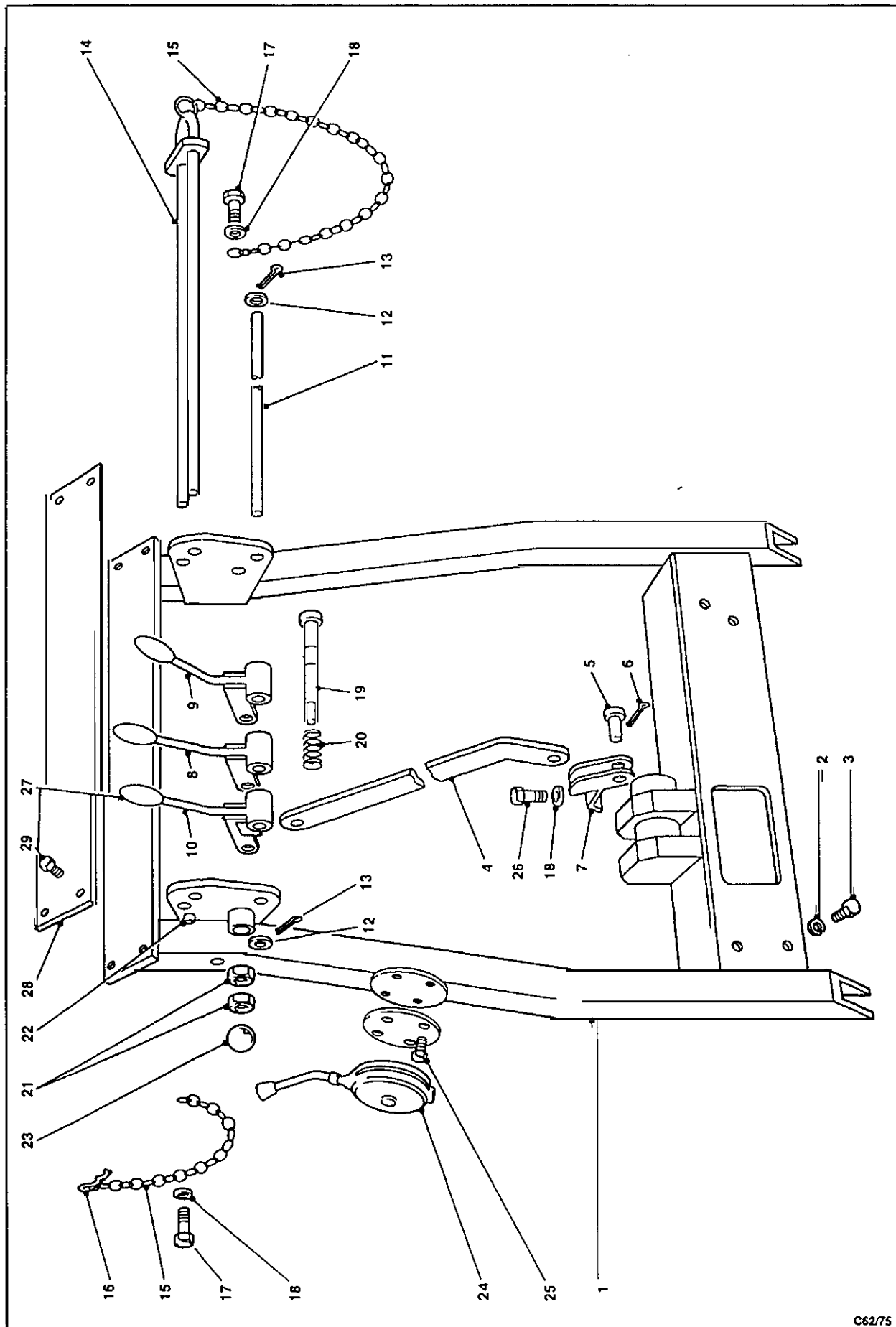
FIG ITEM	MAN CODE NAVY - N ARMY - A RAF - R	NATO STOCK NUMBER	ITEM NAME AND DESCRIPTION	PART NO./ DRAWING NO.	NO. OFF	ANNOTATIONS
Fig 23						
1-7	A	8REAT	2590-99-833-1362	ATLAS LOADING CRANE - contd .COUPLING, SWIVEL	710270	1
2	A	8REAT	5330-99-823-6092	..RING, SEALING, TOROIDAL, 23 mm id x 3 mm thk	300525	1
3	A	8REAT	2590-99-838-3474	..COUPLING, ROTARY	108883	1
4	A	8REAT	3110-99-827-7915	..BALL, STEEL, 4 mm dia	304278	18
5	A	8REAT	5330-99-824-0977	..RING, SEALING, TOROIDAL, 20.22 mm dia x 3.53 mm thk	308749	1
6	A	8REAT	2590-99-837-6792	..RING, SUPPORT, 20.05 mm id x 26.65 mm od x 1.6 mm thk	354927	1
7	A	8REAT	2590-99-838-3475	..CONNECTING BLOCK	108894	1



C 62/74

Fig 24 Hydraulic hoses

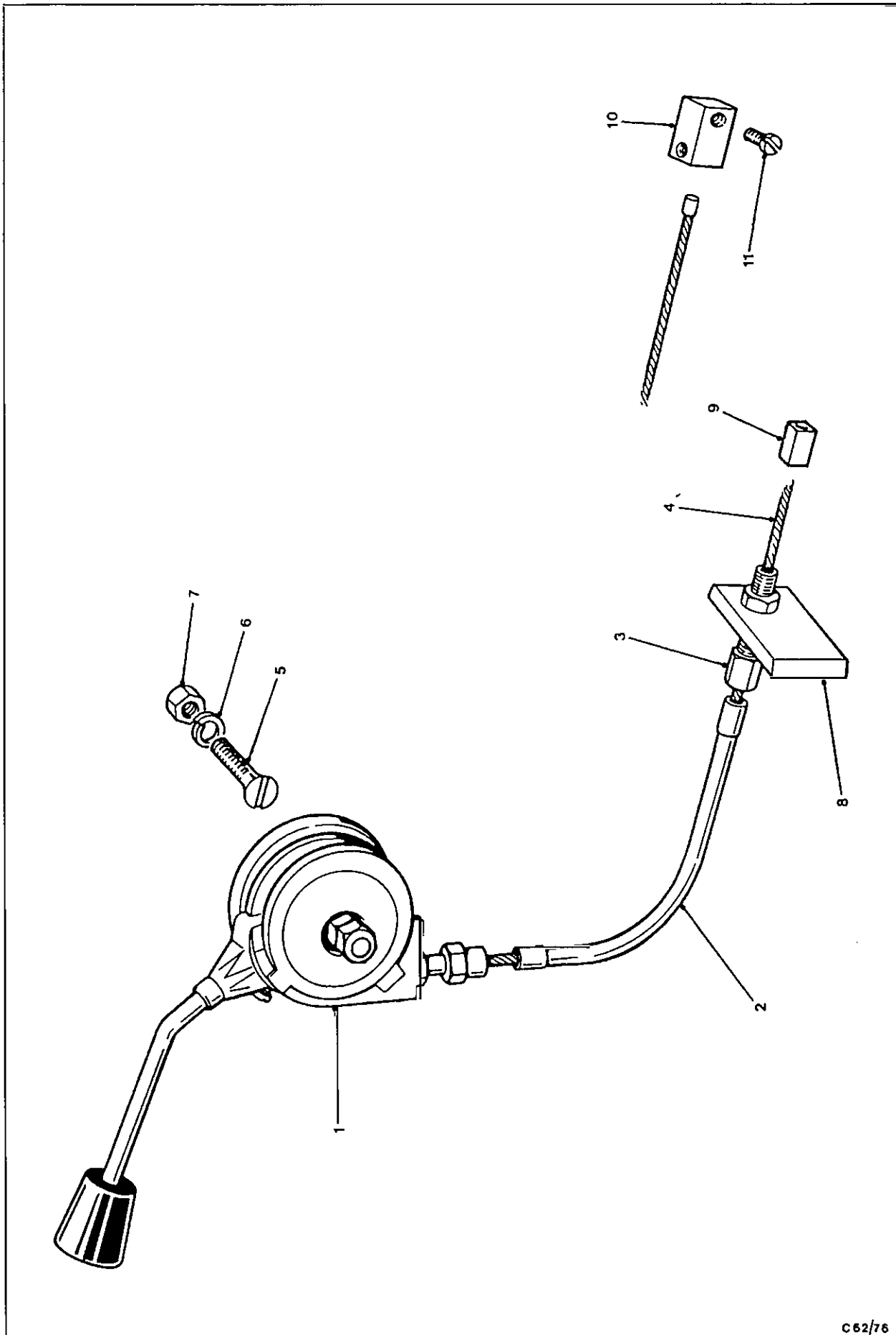
FIG ITEM	MAN CODE NAVY - N ARMY - A RAF - R	NATO STOCK NUMBER	ITEM NAME AND DESCRIPTION	PART NO./ DRAWING NO.	NO. OFF	ANNOTATIONS
Fig24						
1	A	8REAT 2590-99-838-2776	ATLAS LOADING CRANE - contd .HOSE ASSEMBLY, high pressure, 10 mm id x 1900 mm lg; c/w end fittings	854320	2	Lifting ram
2	A	8REAT 2590-99-838-2777	.HOSE ASSEMBLY, high pressure, 10 mm id x 2300 mm lg; c/w end fittings	382807	4	Jib and telescopic ram
3	A	8REAT 2590-99-838-2778	.HOSE ASSEMBLY, high pressure, 10 mm id x 1000 mm lg; c/w end fittings	854308	2	Boom ram
4	A	8REAT 2590-99-838-2779	.HOSE ASSEMBLY, high pressure, 10 mm id x 2200 mm lg; c/w end fittings	806399	2	Telescopic ram
5	A	8REAT 2590-99-838-6186	.HOSE ASSEMBLY, high pressure, 10 mm id x 900 mm lg; c/w end fittings	854626	2	Stabilizer
6	A	8REAT 2590-99-838-6187	.HOSE ASSEMBLY, high pressure, 10 mm id x 1200 mm lg ; c/w end fittings	854693	2	Stabilizer



C62/75

Fig. 25 Crane controls

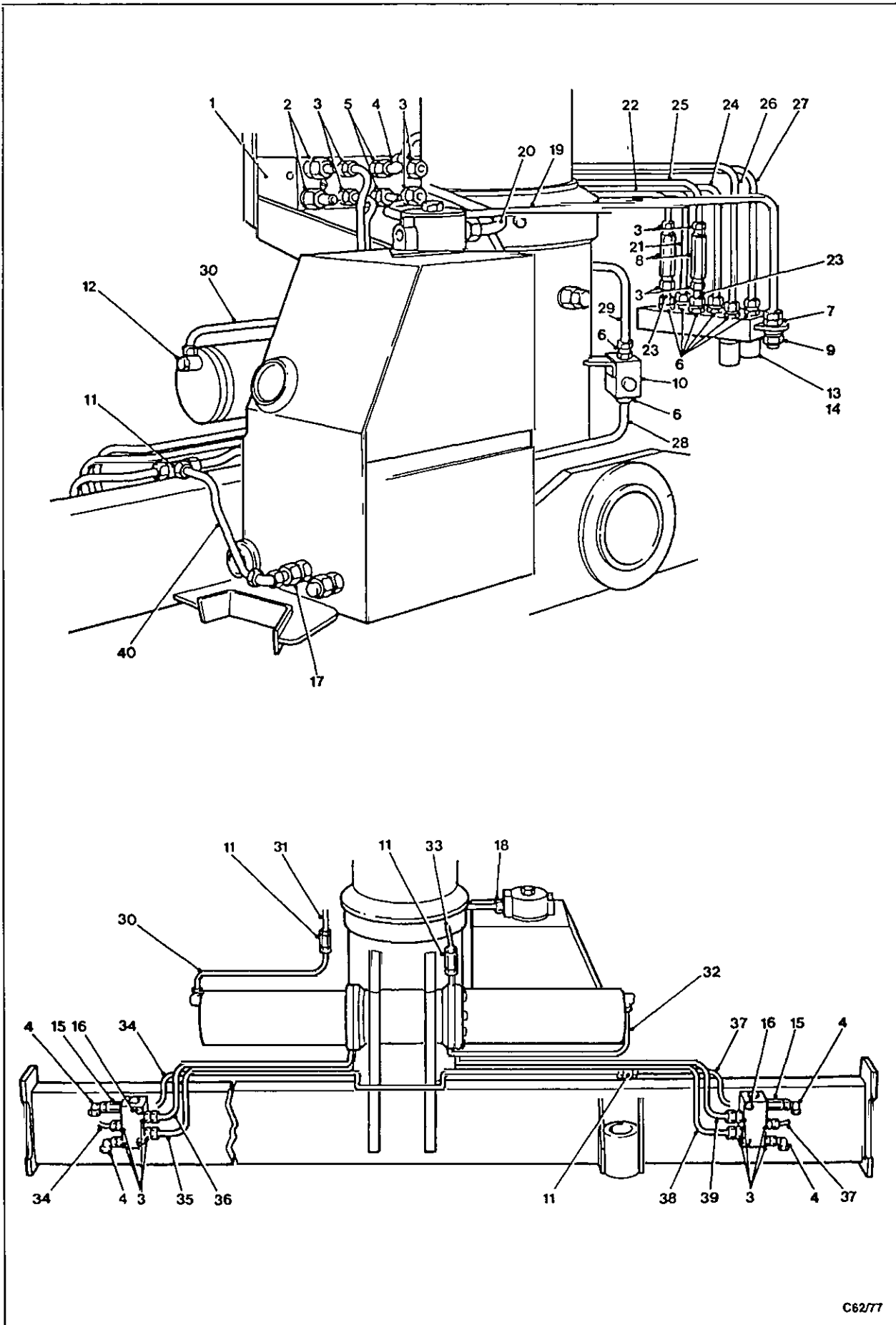
FIG ITEM	MAN CODE NAVY - N ARMY - A RAF - R	NATO STOCK NUMBER	ITEM NAME AND DESCRIPTION	PART NO./ DRAWING NO.	NO. OFF	ANNOTATIONS
Fig 25			ATLAS LOADING CRANE - contd			
1-27		NP	.CRANE CONTROLS	644611	1	
1		NP	..BRACKET, CONTROLS MOUNTING, welded assy	649854	1	
2	A	G1 5310-99-135-9293	..WASHER, LOCK, steel, 8 mm		4	
3	A	G1 5305-99-122-5365	..SCREW, MACHINE, SI, metric, steel, hex hd, M8 x 16 mm lg		4	
5	A	G1 5315-99-159-2974	..PIN, STRAIGHT, HEADED, steel, 8 mm dia x 22 mm lg		12	
6	A	G1 5315-99-138-2203	..PIN, COTTER, SPLIT, 2 mm dia		12	
12	A	G1 5310-99-122-3414	..WASHER, FLAT, steel, 12 mm		2	
13	A	G1 5315-14-201-3781	..PIN, COTTER, SPLIT		2	
16	A	8REAT 5315-99-977-9031	..PIN, COTTER, SPLIT	458706	1	
17	A	8REAT 5306-99-977-9032	..BOLT	302130	2	
18	A	G1 5310-99-122-3031	..WASHER, FLAT, 4 mm		2	
19	A	8REAT 5315-99-838-2768	..PIN	956765	2	
20	A	8REAT 5360-99-838-2769	..SPRING, HELICAL, COMPRESSION	861114	2	
21	A	G1 5310-99-122-5297	..NUT, PLAIN, HEXAGON, SI, metric steel, M10		4	
22	A	8REAT 4730-99-811-5976	..LUBRICATING NIPPLE, 8 mm	300569	2	
23	A	8REAT 5355-99-838-2770	..KNOB	447418	2	
24	A	8REAT 2590-99-823-8695	..LEVER, CONTROL, HAND: throttle control	310403	1	See Fig 26 for details
25	A	G1 5305-99-135-0268	..SCREW, MACHINE, SI, metric, steel, M8 x 16 mm lg		4	
26	A	8REAT 5306-99-977-9033	..BOLT	457896	6	
27	A	8REAT 5355-99-838-2771	..KNOB	805978	6	
NI	A	8REAT 9905-99-828-6037	.CONTROL MARKINGS - ..TRANSFER INSERT: STABILIZERS	003161	1	
NI	A	8REAT 9905-99-828-6038	..TRANSFER INSERT: JIB EXTENSION	002840	1	
NI	A	8REAT 9905-99-828-6039	..TRANSFER INSERT: SLEW	002839	1	
NI	A	8REAT 9905-99-828-6040	..TRANSFER INSERT: JIB FOLD	002838	1	
NI	A	8REAT 9905-99-828-6041	..TRANSFER INSERT: BOOM LIFT	002837	1	
NI	A	8REAT 2910-99-968-0332	..CABLE ASSEMBLY, CONTROL	0003404	1	



C62/76

Fig.26. Hand throttl control

FIG ITEM	MAN CODE NAVY - N ARMY - A RAF - R	NATO STOCK NUMBER	ITEM NAME AND DESCRIPTION	PART NO./ DRAWING NO.	NO. OFF	ANNOTATIONS
Fig 26			ATLAS LOADING CRANE - contd			
1	A	8REAT	2590-99-823-8695	..HAND THROTTLE CONTROL -		
2-4	A	7BD	2910-99-765-8957	..LEVER, CONTROL, HAND	310403	1
3	A	8REAT	2590-99-823-8698	..CABLE ASSEMBLY, HAND CONTROL,		
NI	A	7BD	5315-99-830-2472	THROTTLE, 2725 mm lg	91085891	1
5	A	G1	5305-99-135-9268	...ADJUSTER: control cable	383193	1
6	A	G1	5310-99-135-9293	..NIPPLE, steel, 7 mm od x 15 mm lg	9964745	1
7	A	G1	5310-99-122-3402	..SCREW, MACHINE, SI, metric,		
				steel, M8 x 16 mm lg		2
				..WASHER, LOCK, steel, 8 mm		2
				..NUT, PLAIN, HEXAGON, SI, metric,		
				steel, M8		2
9	A	8REAT	2590-99-837-7423	..CABLE LOCK	003393	1
10	A	8REAT	2590-99-837-7424	..CABLE CONNECTOR	003394	1
11	A	G1	5305-99-941-0513	..SCREW, MACHINE, UNF, steel, 1/4		
				in. x 3/4 in. lg		1
NI	A	G1	5306-99-941-0282	..BOLT, MACHINE, UNF, steel, hex		
				hd, 1/4 in. x 1-1/4 in. lg		1
NI	A	8REAT	5340-99-828-5123	..FORK END, steel, 20 mm dia hole		
				x 40 mm lg	003139	1



C62/77

Fig 27 Hydraulic pipes and fittings

FIG ITEM	MAN CODE NAVY - N ARMY - A RAF - R	NATO STOCK NUMBER	ITEM NAME AND DESCRIPTION	PART NO./ DRAWING NO.	NO. OFF	ANNOTATIONS
Fig 27						
1	A	8REAT 2590-99-838-2737	ATLAS LOADING CRANE - contd .VALVE ASSEMBLY, CONTROL	861692	1	See Fig 20 for details
2	A	8REAT 4730-99-826-7049	.DOUBLE ENDED UNION, HOSE, MALE, steel, 1/2 in. BSP	427925	2	
3	A	8REAT 2590-99-833-1396	.COUPLING	455087	10	See Fig 18 for details
4	A	8REAT 4730-99-826-7047	.ELBOW, PIPE, steel, 12 mm dia tube, 18 mm x 1.5 mm pitch thd	454951	7	
5	A	8REAT 2590-99-838-2772	.COUPLING	319479	2	
6	A	8REAT 2590-99-833-1395	.COUPLING	455021	6	
7	A	8REAT 2590-99-838-2773	.COUPLING	381986	1	
8	A	8REAT 2590-99-833-1534	.VALVE, LOWERING, BRAKE	811681	2	
9	A	8REAT 2590-99-838-2774	.COUPLING	456737	1	
10	A	8REAT 2590-99-833-1525	.DOUBLE RELIEF VALVE ASSEMBLY	609038	1	
11	A	8REAT 4730-99-826-7048	.TEE, PIPE, steel, 12 mm tube dia	426833	2	
12	A	8REAT 2590-99-833-1500	.COUPLING	426866	2	
13	A	8REAT 2590-99-833-1362	.COUPLING, SWIVEL	710270	1	
14	A	G1 5330-12-156-4530	.GASKET, copper, 22 mm id		6	
15	A	8REAT 2590-99-838-6195	.PIECE, SCREWING	1206975	2	
16	A	8REAT 2590-99-838-6189	.VALVE, DOUBLE, NON-RETURN	1302041	2	
17	A	6MT1 4730-99-826-7050	.REDUCER, PIPE, steel, 18 mm to 12 mm tube dia	426877	1	
18	A	8REAT 2590-99-833-1397	.COUPLING	425401	1	

FIG ITEM	MAN CODE NAVY - N ARMY - A RAF - R	NATO STOCK NUMBER	ITEM NAME AND DESCRIPTION	PART NO./ DRAWING NO.	NO. OFF	ANNOTATIONS
NI		NP	ATLAS LOADING CRANE - contd			
NI	A	6MT10	..INSTALLATION KIT -	91085888	1	
NI	A	7BD	..PROPELLER SHAFT	K5 LGB 194	2	
NI	A	G1	..PARTS KIT, UNIVERSAL JOINT			
NI	A	G1	..BOLT, MACHINE, UNF, steel, hex hd, 7/16 in. x 1-1/2 in. lg	7095387	4	
NI	A	G1	..NUT, SELF-LOCKING, HEXAGON, UNF, steel, 7/16 in.		4	
NI	A	G1	..SCREW, MACHINE, SI, metric, steel, hex hd, M10 x 30 mm lg		2	
NI	A	G1	..WASHER, LOCK, steel, single coil, 10 mm		2	
NI	A	G1	..NUT, PLAIN, HEXAGON, SI, metric, steel, M10		2	
NI	A	G1	..BOLT, MACHINE, UNF, steel, hex hd, 3/8 in. x 1-1/2 in. lg		4	
NI	A	G1	..WASHER, LOCK, steel, single coil, 3/8 in.		4	
NI	A	7BD	..NUT, PLAIN, HEXAGON, UNF, steel, 3/8 in.		4	
NI	A	8REAT	..PIPE ASSEMBLY, high pressure; c/w end fittings	003416	1	
NI	A	8REAT	..BLOCK, LOCATING: pipe clamp	003210	2	
NI	A	G1	..BOLT	0124094	2)	
NI	A	G1	..WASHER, FLAT, steel, 5/16 in.		2)	Pipe clamp to side member
NI	A	G1	..WASHER, LOCK, steel, single coil, 5/16 in.		2)	
NI	A	G1	..NUT, PLAIN, HEXAGON, UNF, steel, 5/16 in.		2)	
NI	A	6MT1	..HOSE ASSEMBLY, RUBBER, 16 mm id x 1548 mm lg; c/w end fittings	91085899	1	High pressure
NI	A	7BD	..STRAP, LINE SUPPORTING, nylon, 3/16 in. w x 7-5/16 in. lg	7212111	6	
NI	A	8REAT	..PIPE ASSEMBLY; c/w end fittings	003417	1	High pressure hose to valve block
NI	A	8REAT	..ADAPTOR, STRAIGHT, PIPE, BSP, 1/4 in.	306941	1	
NI	A	8REAT	..PIPE, STEEL, 35 mm id, 90 deg x 345 mm 1st end, 90 deg x 130 mm 2nd end	0003546	1	
NI	A	8REAT	..PIPE, STEEL, 90 deg angle; c/w tube nuts	362096	1	Tank to shut-off valve
NI	A	8REAT	..CLIP, NORMA	816175	1	
NI	A	7BD	..HOSE ASSEMBLY, VALVE TO PUMP	91068912	1	Low pressure
NI	A	8REAT	..PIPE, STEEL, 35 mm od, 90 deg bend, 480 mm nom lg	0003458	1	Hose to pump inlet
NI	A	7BD	..WIRING HARNESS, 2 conductors, 5500 mm lg	91085820	1	PTO indicator switch
NI	A	7BD	..WIRING HARNESS, 3 conductors, 1730 mm lg	91085871	1	PTO indicator lamp
NI	A	7BD	..LIGHT, INDICATOR, amber lens, 24V 2W	91067931	1	

CHAPTER 1-6

Winterisation Kit parts list for the TRUCK, 4 TONNE, BEDFORD MJ – ALL VARIANTS

FIG ITEM	MAN CODE NAVY - N ARMY - A RAF - R	NATO STOCK NUMBER	ITEM NAME AND DESCRIPTION	PART NO./ DRAWING NO.	NO. OFF	ANNOTATIONS	
NI	A	7BD	NP	WINTERISATION KIT -	FV781822	1	
			NP	..CAB HEATING AND DE-ICING	FV781833	1	
NI	A	7RU	2540-99-829-0971	..HEAT EXCHANGER INSULATION	FV781825	1	
			4820-99-632-3462	...HEAT EXCHANGER, comprises, radiator core, blower assembly and 24V motor	FV781870	1	
NI	A	MT1	4820-99-632-3462CORE, HEATER RADIATOR		1	
NI	A	7BD	5325-99-829-7835COCK DRAIN, brass, plain pipe connection		1	
NI	A	7BD	5325-99-829-7835	...GROMMET, RUBBER, jointed, 58mm id	FV781773	4	
NI	A	7BD	5330-99-729-6696	...SEAL, 102mm id x 154mm od x 25mm thk	FV782115		
NI	A	G1	5305-99-137-8254	...SCREW, SELF TAPPING, steel, zinc plated, pan hd, No.8 x 1-1/4 in. lg		8	
NI	A	G1	5305-99-773-3255	...SCREW, SELF TAPPING, steel, zinc plated, pan hd, No.8 x 1/2 in. lg		6	
NI	A	6MT4	6150-99-252-2734	...LEAD, ELECTRICAL, 32/0-21mm gauge, 2600mm lg	FV1078996	1	
NI	A	G1	5305-99-122-5361	...SCREW, MACHINE, steel, zinc plated, hex hd, M6 x 20mm lg		4	
NI	A	G1	5310-99-122-5295	...NUT, PLAIN, HEXAGON, steel, zinc plated, M6		4	
NI	A	G1	5310-99-137-9232	...WASHER, LOCK, steel, zinc plated, M6		4	
NI	A	G1	5305-99-135-0434	...SCREW, MACHINE, steel, zinc plated, pan hd, M6 x 35mm lg		3	
NI	A	G1	5310-99-122-5294	...NUT, PLAIN, HEXAGON, steel, zinc plated, M5		3	
NI	A	G1	5310-99-138-9226	...WASHER, LOCK, steel, zinc plated, M5		3	
NI	A	Z42	5970-99-640-1758	...SLEEVE, INSULATION, ELECTRICAL, PVC, non-shrinkable, 4mm id		1	
NI	A	X3	5940-99-654-3187	...TERMINAL, LUG, crimp ring, brass, electro tinned		1	
NI	A	6MT4	5940-99-729-6675	...TERMINAL, QUICK DISCONNECT, male, insulated		1	
NI	A	6MT1	5325-99-252-2736	...GROMMET, RUBBER, 5/32 in. id x 3/8 in. od, ext groove		1	
NI	A	6MT1	5340-99-252-2737	..CLAMP, LOOP, steel, 50mm id x 1.2mm thk, 9.50mm die fixing hole	FV782144	2	
NI	A	6MT1	NP	..HEADER TANK AND METHYL BOTTLE INSTALLATION	FV781827		
			5306-99-252-2738	...BOLT, U, rd bend, steel, zinc plated, 114mm lg x 79mm w, M6 thd	FV781858	1	
NI	A	W1	4720-99-136-7262	...HOSE, RUBBER, 51mm id x 64mm od	FV781827	AR	
NI	A	Z42	5975-99-901-2512	...TUBE, FLEXIBLE, NON-METALLIC, ELECTRICAL, PVC, 3/8 in. id; 5/8 in. od		AR	
NI	A	H4	4720-99-638-8056	...TUBING, FLEXIBLE, nylon, 3/16 in. od		AR	
NI	A	6MT1	4730-99-533-2968	...CLAMP HOSE, steel, zinc plated, 50mm - 70mm id, 12.8mm w		4	
NI	A	6MT1	4730-99-533-2958	...CLAMP HOSE, steel, zinc plated, 13mm - 20mm id, 12.8mm w		2	
NI	A	6MT1	5340-99-732-2350	...STRAP, LINE SUPPORTING, nylon cable tie, 375mm o/a lg x 8mm w		17	
NI	A	G1	5305-99-805-6811	...SCREW, TAPPING, THREAD FORMING, steel, zinc plated, pan hd, No.8 x 3/8 in. lg		3	
NI	A	6MT1	4730-99-729-6703	...INVERTED NUT, UNION PIPE, BSP, steel, 1/8 in.		1	
NI	A	6MT1	4730-99-801-1390	...SLEEVE, COMPRESSION, PIPE HOSE FITTING, u/w 3/16in. pipe		4	

FIG ITEM	MAN CODE NAVY - N ARMY - A RAF - R	NATO STOCK NUMBER	ITEM NAME AND DESCRIPTION	PART NO./ DRAWING NO.	NO. OFF	ANNOTATIONS
NI	A	6MT9	4730-99-828-5527	WINTERISATION KIT - contd ..CAB HEATING AND DE-ICING - contd ..HEADER TANK AND METHYL BOTTLE INSTALLATION - contd		
NI	A	7CY	4730-99-763-7474	...INVERTED NUT, UNION PIPE, UNF, 3/8 in.	79156092	2
NI	A	7RU	4730-99-763-7474	...NUT, UNION, PIPE, UNF, 3/8 in., steel, zinc plated		1
NI	A	7BD	5340-99-829-6322	..CLAMP, LOOP, steel, painted, 57mm id x 25mm w, 5mm dia fixing hole	FV721688	2
NI	A	7BD	5340-99-729-6695	..CLIP, DUCT, steel, 25mm w, 1.0 mm thk, 2 loops, 57mm nom. dia pipes	FV781820	6
NI	A	7BD	4730-99-252-2740	..FLANGE, PIPE, aluminium, round, 2 fixing holes, 8.7mm dia, 82.5 mm c to c 54mm id	FV781856	1
NI	A	6MT4	4720-99-819-3588	..HOSE METAL, 2in. bore	FV781912-13	AR
NI	A	6MT6	4220-99-729-6664	..HOSE, RUBBER, 1-1/4 in. id	FV781913-7	AR
NI	A	7RU	4730-99-829-6323	..CONNECTOR HOSE, steel, tube, 34mm od x 28mm id x 76mm o/a lg	FV721696	1
NI	A	7BD	4720-99-732-2351	..HOSE, PREFORMED, rubber, elbow, 5/8 in. id	HH9002	2
NI	A	7BD	2540-99-851-1002	..CONNECTOR, HOSE, copper, 1.2mm wall thk x 70mm o/a lg x 16mm od	FV782149	3
NI	A	7BD	4720-99-252-2743	..HOSE, PREFORMED, rubber; w/reinforcement, 32mm id x 40mm od	FV1078994	1
NI	A	6MT1	4730-99-533-2959	..CLAMP, HOSE, steel, zinc plated, 16mm-22mm x 12.8mm w		9
NI	A	6MT1	4730-99-729-6701	..CLAMP, HOSE, 32mm-48mm id		6
NI	A	6MT6	4720-99-729-6682	..HOSE, RUBBER, 5/8 in. id		3
NI	A	7BD	5330-99-833-5200	..GASKET, fibre, 0.030 in. thk	6303254	2
NI	A	6MT6	4720-99-252-2744	..HOSE, RUBBER, 1-1/4 in. bore x 5-5/8 in. lg	FV781892	1
NI	A	G1	5305-99-805-6811	..SCREW, TAPPING, THREAD FORMING, steel, zinc plated, pan hd, No.8 x 3/8 in. lg		4
NI	A	G1	5305-99-122-4165	..SCREW, TAPPING, THREAD FORMING, steel, zinc plated, pan hd, No.10 x 1/2 in. lg slot drive		4
NI	A	G1	5306-99-941-0307	..BOLT, MACHINE, UNF, steel, zinc plated, hex. hd, 5/16 in. x 3-1/2 in. lg		1
NI	A	G1	5306-99-941-0305	..BOLT, MACHINE, UNF, steel, zinc plated, hex hd, 5/16 in. x 3 in. lg		1
NI	A	G1	5310-99-122-5296	..NUT, PLAIN, HEXAGON, steel, zinc plated, M8		1
NI	A	G1	5305-99-122-5365	..SCREW, MACHINE, steel, zinc plated, hex. hd, M8 x 16mm lg		1
NI	A	G1	5310-99-138-9227	..WASHER, LOCK, steel, zinc plated, M8		1
NI	A	G1	5305-99-120-5486	..SCREW, TAPPING, THREAD FORMING, steel, zinc plated, pan hd, No.10 x 3/4 in. lg. slot drive		8
NI	A	7BD	NP 2540-99-729-3991	BATTERY INSTALLATION ..BATTERY CASING ASSEMBLY, comprises battery and heater cases; w/insulation	FV782172	
NI	A	7BD	NP NP 2540-99-785-0979	...LID ASSYLID SUB ASSYHANDLE, GRAB, steel, 172mm lg x 41mm h x 20mm w	FV1078944 FV1078943 FV1078934 FV722019	1 2

FIG ITEM	MAN CODE NAVY - N ARMY - A RAF - R	NATO STOCK NUMBER	ITEM NAME AND DESCRIPTION	PART NO./ DRAWING NO.	NO. OFF	ANNOTATIONS
NI	A G1	5320-99-139-1427	WINTERISATION KIT - contd .BATTERY INSTALLATION - contd ..BATTERY CASING ASSEMBLY - contd ...LID ASSY - contd			
NI	A G1	5340-99-961-4048LID SUB ASSY - contdRIVET, BLIND, aluminium, 3/16 in. dia		4	
NI	A G1	5340-99-961-4048HOOK, PLATE, steel, zinc plated	FV887207	2	
NI	A 7BD	2540-99-785-0980INSULATION, LID, plastazote, 312mm lg x 220mm w x 25mm thk	FV1078937	2	
NI	A 7BD	2540-99-785-0981INSULATION, LID, plastazote, 657mm lg x 240mm w x 25mm thk	FV1078938	1	
NI	A 7BD	2540-99-785-0982INSULATION, LID, plastazote, 657mm lg x 372mm w x 25mm thk	FV1078939	1	
		NP	...BATTERY HEATER CASE ASSY	FV1078920	1	
		NPBATTERY HEATER CASE, SUB ASSY	FV1078913	1	
NI	A 7BD	2540-99-729-6658TANK, HEATER, VEHICULAR, copper, 554mm lg x 264mm w x 19mm h; c/w 2 pipes	FV1078927	1	
NI	A 7BD	2540-99-785-0983INSULATION, HEATER CASE, plastazote, 554mm lg x 43.5mm lg x 19mm thk	FV1078922	1	
NI	A 7BD	2540-99-785-0984INSULATION, HEATER CASE, plastazote, 653mm lg x 393mm w x 12mm thk	FV1079818	1	
NI	A 7BD	2540-99-785-0985INSULATION, HEATER CASE, plastazote, 393mm lg x 49.5mm w x 19mm thk	FV1078919	2	
NI	A 7BD	2540-99-785-0986INSULATION, HEATER CASE, plastazote, 393mm lg x 27.5mm w x 25mm thk	FV1078917	2	
NI	A 7BD	2540-99-785-0987INSULATION, HEATER CASE, plastazote, 85.5mm lg x 19mm w x 12mm thk	FV1078916	2	
NI	A 7BD	2540-99-785-0988INSULATION, HEATER CASE, plastazote, 500mm lg x 85.5mm w x 19mm thk	FV1078921	1	
NI	A KG	9320-99-533-5677	...RUBBER, SPECIAL SHAPED SECTION, 1/4 in. dia; w/slot, 3/16in. x 1/16 in. w		2	
NI	A 7BD	2540-99-785-0990	...INSULATION, BATTERY BOX, plastazote, 600mm lg x 275mm w x 25mm thk	FV1078940	1	
NI	A 7BD	2540-99-785-0991	...INSULATION, BATTERY BOX, plastazote, triangular shape, 370mm lg x 275mm h x 25mm thk	FV1078942	1	
NI	A 7BD	5306-99-785-0992	...BOLT, CLAMP, steel, zinc plated	FV1078928	2	
NI	A 7BD	2540-99-785-0993	...INSULATION, BATTERY BOX, plastazote, triangular shape, 370mm lg x 275mm h x 25mm thk	FV1078941	1	
NI	A G1	5340-99-117-6712	...CATCH, TOGGLE LEVER, steel, zinc plated, 1-13/16 in. o/a lg x 5/8 in. o/a w, w/o hook plate		2	
NI	A 6MT1	5325-99-785-0994	...GROMMET, BLANK, NONMETALLIC, 1 in. dia hole, 3/32 in. w groove, 1-1/4 in. od flange, 3/32 in. flange thk		5	
NI	A 6MT1	5325-99-785-0995	...GROMMET, plastics, 1/2 in. dia hole, 3/4 in. od groove, 1/8 in. w groove, 1 in. od grommet		1	
NI	A G1	5306-99-122-5261	...BOLT, MACHINE, steel, zinc plated, hex hd, M8 x 80mm lg		4	
NI	A G1	5310-99-122-5296	...NUT, PLAIN, HEXAGON, steel, zinc plated, M8		4	

FIG ITEM	MAN CODE NAVY - N ARMY - A RAF - R	NATO STOCK NUMBER	ITEM NAME AND DESCRIPTION	PART NO./ DRAWING NO.	NO. OFF	ANNOTATIONS
NI	A G1	5310-99-122-6475	WINTERISATION KIT - contd ..BATTERY INSTALLATION - contd		10	
NI	A G1	5310-99-138-9227	..BATTERY CASING ASSEMBLY - contd ...WASHER, FLAT, steel, zinc coated, M8		4	
NI	A G1	5310-99-138-9227	...WASHER, LOCK, steel, zinc plated, 8mm id			
NI	A	NP	..BATTERY VENT MOUNTING ASSY	FV782174	1	
NI	A 9ACR	2590-99-500-7973	...FLAME TRAP, BATTERY VENT	FV586406	1	
NI	A 9ACR	2590-99-800-7975FILTER, FLAME TRAP, BATTERY VENT	FV586407	1	
NI	A 6MT1	5330-99-943-6628GASKET, rubber and steel, 1 in. od		1	
NI	A 9AHY	5306-99-120-8529BOLT, INTERNALLY RELIEVED BODY, corrosion resisting steel, hex hd, UNF, 5/8 in. x 1in. lg	FV586412	1	
NI	A 9AHY	5330-99-801-8841GASKET, polythene, 2-3/32 in. id x 3-1/8in. od x 1/16in.thk	FV586413	2	
NI	A G1	5305-99-941-0511SCREW, MACHINE, UNF, steel, zinc plated, hex hd, 1/4 in. x 1/2 in. lg		1	
NI	A G1	5305-99-944-6714SCREW, MACHINE, BA, steel, cadmium plated, hex hd No.2 x 1/2 in. lg		3	
NI	A G1	5310-99-941-6654WASHER, LOCK, steel, 1/4 in.id		1	
NI	A G1	5310-99-941-6653WASHER, LOCK, steel, 3/16in.id		3	
NI	A G1	5305-99-122-5359	...SCREW, MACHINE, steel, zinc plated, hex hd, M6 x 12mm lg		2	
NI	A G1	5310-99-122-5295	...NUT, PLAIN, HEXAGON, steel, zinc plated, M6		2	
NI	A G1	5310-99-137-9232	...WASHER, LOCK, steel, zinc plated M6		2	
NI	A G1	5305-99-941-6834	...SCREW, MACHINE, BA, steel, cadmium plated, hex hd, No.2 x 5/8 in. lg		2	
NI	A 6MT4	5975-99-729-6678	..CONDUIT, FLEXIBLE, vent pipe, 360mm lg, nut end nipple 1st end, sleeve 2nd end	FV782175	1	
NI	A 7BD	4730-99-729-6681	..TEE, HOSE, plastics, 4mm dia bore, 40mm o/a lg	FV1078970	1	
NI	A 6MT4	5975-99-729-6679	..CONDUIT, FLEXIBLE, battery vent pipe, 50mm lg	FV1068812	2	
NI	A 6MT1	5325-99-252-2749	..GROMMET, RUBBER, 1-1/4in.od, 13/16 in.dia hole 1in. od groove		3	
NI	A 6MT4	5935-99-809-8706	..BOX, INTER VEHICLE CONNECTOR ASSEMBLY, 5-3/8 in. lg x 4-3/4 in. w	FV634272	1	
NI	A G1	5305-99-122-6440	..SCREW, MACHINE, steel, zinc plated, hex hd, M6 x 40mm lg		4	
NI	A G1	5310-99-122-5295	..NUT, PLAIN, HEXAGON, steel, zinc plated, M6		4	
NI	A G1	5310-99-137-9232	..WASHER, LOCK, steel, zinc plated, 6mm id		4	
NI	A Y3	6145-99-752-2836	..WIRE, ELECTRICAL, 248/0.018, glass braid, plastics insulation	FV782172	1	
NI	A Y3	6145-99-752-2824	..WIRE, ELECTRICAL, 248/0.018, glass braid, plastics insulation	FV782172	1	
NI	A 6MT4	5940-99-775-6345	..TERMINAL, LUG, single conductor, 8mm nominal dia		2	
NI	A 6MT4	5940-99-776-6345	..TERMINAL, LUG		2	
NI	A G1	5305-99-122-5366	..SCREW, MACHINE, steel, zinc plated, hex hd, M8 x 20mm lg		1	

FIG ITEM	MAN CODE NAVY - N ARMY - A RAF - R	NATO STOCK NUMBER	ITEM NAME AND DESCRIPTION	PART NO./ DRAWING NO.	NO. OFF	ANNOTATIONS
NI	A G1	5310-99-122-5296	WINTERISATION KIT - contd .BATTERY INSTALLATION - contd			
NI	A G1	5310-99-138-9227	..NUT, PLAIN, HEXAGON, steel, zinc plated, M8		1	
NI	A G1	5310-99-122-6475	..WASHER, LOCK, steel, zinc plated, 8mm id		1	
			..WASHER, FLAT, steel, zinc plated, M8		1	
		NP	.INSTALLATION OF BLINDS AND HATCH INSULATION	FV781824		
NI	A 7BD	2540-99-729-6657	..HATCH INSULATION ASSEMBLY	FV781832	1	
NI	A G1	5305-99-977-3265	...SCREW, TAPPING, THREAD FORMING, steel, zinc plated, pan hd, No.10 x 1-1/4 in. lg		8	
NI	A G1	5310-99-122-3032	...WASHER, FLAT, steel, zinc plated, 5mm id		8	
NI	A 7BD	2540-99-729-6684	..BLIND, WINDSCREEN, VEHICULAR; c/w bar straps and hooks	FV782097	1	
NI	A X2	NP NP	...BLIND ASSEMBLY	FV781828	1	
NI	A 7BD	2540-99-785-1013	...FASTENER BONNET, non-adjustable, hook type, 3-25/32 in. free effective lg	FV782188	2	
NI	A 6MT1	5340-99-829-2983	...STRAP, WEBBING, nylon, 380mm o/a lg, buckle 1st end, plain strap 2nd end	FV781911/2	2	
NI	A 7BD	2540-99-252-2748	...HOOK, SUPPORT, steel, nylon dipped, 1in. lg x 1/2in. w x 1/8 in. thk	FV721819	2	
NI	A G1	5305-99-977-3255	...MOUNTING, comprising, 2 backing strips, 1 metal, 1 rubber, 552mm lg	FV782246/2	2	
NI	A G1	5305-99-122-5358	...SCREW, TAPPING, THREAD FORMING, steel, zinc plated, pan hd, No.8 x 1/2 in. lg		4	
NI	A G1	5310-99-122-3032	...SCREW, MACHINE, steel, zinc plated, hex hd, M5 x 25mm lg		6	
NI	A G1	5310-99-138-9226	...WASHER, FLAT, steel, zinc plated, 5mm id		12	
NI	A G1	5310-99-122-5294	...WASHER, LOCK, steel, zinc plated, 5mm id		6	
NI	A G1	5310-99-122-5294	...NUT, PLAIN, HEXAGON, steel, zinc plated, M5		6	
NI	A G1	5320-99-137-2945	...RIVET, BLIND, aluminium, 1/8 in. dia x 5/16 in. lg		22	
NI	A 7BD	2540-99-729-6687	..BLIND, GRILLE, RADIATOR; c/w bar and hooks	FV782098		
NI		NP	...BLIND ASSEMBLY, RADIATOR GRILLE	FV782106	1	
NI		NP	...BLIND	FV722039	1	
NI	A X2	5360-99-465-8892	...FASTENER, BONNET, non- adjustable hook type mtg, 3-25/32 free effective lg	FV782188	2	
NI	A 6MT1	5340-99-829-2983	...HOOK, SUPPORT, steel, nylon dipped, 1in. lg x 1/2 in. w x 1/8 in. thk, 5/32 in. dia mtg holes	FV721819	4	
NI	A 7BD	2540-99-252-2748	...MOUNTING, comprising 2 backing strips, 1 metal, 1 rubber, 552 mm lg	FV782246/2	1	
NI	A G1	5305-99-977-3255	...SCREW, TAPPING, THREAD FORMING, steel, zinc plated, pan hd, slot drive, No.8 x 1/2 in. lg		15	
NI	A G1	5320-99-137-2945	...RIVET, BLIND, aluminium, 1/8 in. dia x 5/16 in. lg		11	

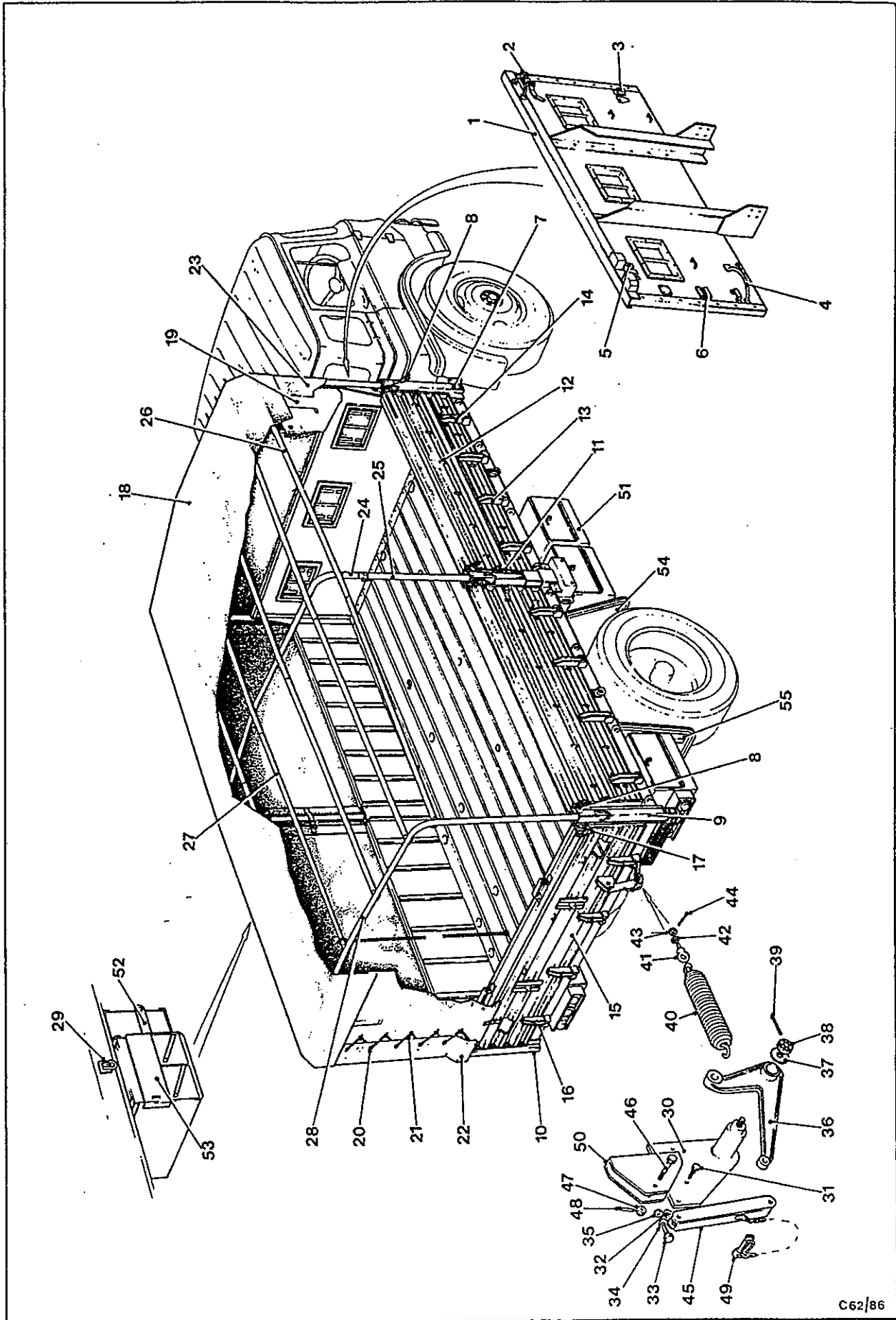
FIG ITEM	MAN CODE NAVY - N ARMY - A RAF - R	NATO STOCK NUMBER	ITEM NAME AND DESCRIPTION	PART NO./ DRAWING NO.	NO. OFF	ANNOTATIONS
NI	A	7BD	2540-99-729-6685	WINTERISATION KIT - contd .INSTALLATION OF BLINDS AND HATCH INSULATION - contd ..BLIND, SIDE WINDOW, lh; c/w bar straps and hooks		
		NP		FV782248	1	
NI	A	X2	5360-99-485-8892	...BLIND ASSEMBLY, lh, side window	FV781830	1
		FASTENER, BONNET, non- adjustable hook type mtg, 3-25/32 in. free effective lg	FV782188	1	
NI	A	6MT1	5340-99-829-2983	...HOOK, SUPPORT, steel, nylon dipped, 1in. lg x 1/2 in. w x 1/8 in. thk, 5/32 in. dia mtg holes	FV721819	1
NI	A	6MT1	2540-99-252-2749	...STRAP, WEBBING; nylon, 250mm o/a lg, buckle 1st end, plain strap 2nd end	FV781911/1	2
NI	A	7BD	2540-99-252-2750	...MOUNTING, comprising, 2 backing strips, 1 metal, 1 rubber, 908mm lg	FV782246/1	1
NI	A	7BD	2540-99-252-2751	...MOUNTING, comprising, 2 backing strips, 1 metal, 1 rubber, 495mm lg	FV782246/4	1
NI	A	G1	5305-99-977-3255	...SCREW, TAPPING, THREAD FORMING, steel, zinc plated, pan hd, slot drive, No.8 x 1/2 in. lg		2
NI	A	G1	5320-99-137-2945	...RIVET, BLIND, aluminium, 1/8in. dia x 5/16 in. lg		30
NI	A	G1	5310-99-122-5294	...NUT, PLAIN, HEXAGON, steel, zinc plated, M5		5
NI	A	G1	5310-99-138-9226	...WASHER, LOCK, steel, zinc plated, 5mm id		5
NI	A	G1	5310-99-122-3032	...WASHER, FLAT, steel, zinc plated, 5mm id		10
NI	A	G1	5305-99-122-5357	...SCREW, MACHINE, steel, zinc plated, hex hd, M5 x 20mm lg		5
NI	A	7BD	2540-99-729-6686	..BLIND, SIDE WINDOW, rh; c/w bar straps and hooks	FV782249	1
		NP		FV781829		
NI	A	X2	5360-99-465-8892	...BLIND ASSEMBLY, SIDE WINDOW, rh		
		FASTENER, BONNET, non- adjustable hook type mtg, 3-25/32 in. free effective lg	FV782188	2	
NI	A	6MT1	2540-99-252-2749	...STRAP, WEBBING, nylon, 250mm o/a lg, buckle 1st end; plain strap 2nd end	FV781911/1	2
NI	A	6MT1	5340-99-829-2983	...HOOK, SUPPORT, steel, nylon dipped, 1in lg x 1/2 in. w x 1/8 in. thk	FV721819	2
NI	A	7BD	2540-99-252-2750	...MOUNTING, comprising, 2 backing strips: 1 metal, 1 rubber, 908 mm lg	FV782246/1	1
NI	A	7BD	2540-99-252-2751	...MOUNTING, comprising, 2 backing strips: 1metal, 1 rubber, 495 mm lg	FV782246/4	1
NI	A	G1	5305-99-977-3255	...SCREW, TAPPING, THREAD FORMING, steel, zinc plated, pan hd, slot drive, No.8 x 1/2 in. lg		2
NI	A	G1	5305-99-122-5357	...SCREW, MACHINE, steel, zinc plated, hex hd, M5 x 20mm lg		5
NI	A	G1	5310-99-122-5294	...NUT, PLAIN, HEXAGON, steel, zinc plated, M5		5
NI	A	G1	5310-99-138-9226	...WASHER, LOCK, steel, zinc plated, 5mm id		5
NI	A	G1	5310-99-122-3032	...WASHER, FLAT, steel, zinc plated, 5mm id		10
NI	A	G1	5320-99-137-2945	...RIVET, BLIND, aluminium, 1/8 in. dia x 5/16 in. lg		30

FIG ITEM	MAN CODE NAVY - N ARMY - A RAF - R	NATO STOCK NUMBER	ITEM NAME AND DESCRIPTION	PART NO./ DRAWING NO.	NO. OFF	ANNOTATIONS	
NI	A	7BD	NP NP 2540-99-252-2752	WINTERISATION KIT - contd .INSTALLATION OF BLINDS AND HATCH INSULATION - contd ..RADIATOR BLIND INSTALLATION ...BLIND ASSEMBLY, RADIATOR	FV782128 FV781821	1 1	
NI	A	7BD	4010-99-252-2753	...BLIND, RADIATOR, comprises, spindle assembly, roller, blind stitching, end cap and anchor stip	FV782178	1	
NI	A	G1	5305-99-135-0422	...CHAIN, PULL; comprising: 2 rings, 1 split, 1 welded, 3 lengths clock chain	FV782142	1	
NI	A	G1	5305-99-135-0423	...SCREW, MACHINE, steel, zinc plated, pan hd, slot drive, M4 x 10mm lg		4	
NI	A	G1	5310-99-138-9225	...SCREW, MACHINE, steel, zinc plated, pan hd, slot drive, M4 x 12mm lg		2	
NI	A	G1	5310-99-122-3031	...WASHER, LOCK, steel, zinc plated, 4mm id		6	
NI	A	G1	5310-99-135-0755	...WASHER, FLAT, steel, zinc plated, 4mm id		4	
NI	A	G1	5310-99-135-0755	...WASHER, PLAIN, HEXAGON, steel, plated, M4		2	
NI	A	G1	5305-99-122-4911	...SCREW, MACHINE, steel, zinc plated, hex hd, M10 x 30mm lg		4	
NI	A	G1	5310-99-122-5297	...NUT, PLAIN, HEXAGON, steel, zinc plated, M10		4	
NI	A	G1	5310-99-138-9228	...WASHER, LOCK, steel, zinc plated, 10mm id		4	
NI	A	G1	5310-99-122-6476	...WASHER, FLAT, steel, zinc plated, 10mm id		24	
NI	A	7BD	2540-99-729-6689	..BLIND, ENGINE, CAB, REAR; c/w bar straps and hooks	FV782250	1	
NI	A	X2	NP 5360-99-465-8892	...BLIND ASSEMBLY, REAR, CAB ...FASTENER, BONNET, non- adjustable hook type mtg, 3-25/32 in. free effective lg	FV782108	1	
NI	A	6MT1	2540-99-252-2749	...STRAP, WEBBING, nylon, 250mm o/a lg, buckle 1st end, plain strap 2nd end	FV782188	3	
NI	A	6MT1	5340-99-829-2983	...HOOK, SUPPORT, steel, nylon dipped, 1in. lg x 1/2in. w x 1/8in. thk, 5/32in. dia mtg holes	FV781911/1	2	
NI	A	G1	5305-99-977-3255	...SCREW, TAPPING, THREAD FORMING, steel, zinc plated, pan hd, slot drive, No.8 x 1/2 in. lg	FV721819	3	
NI	A	7BD	NP 2540-99-829-8819	..MUD FLAPS, REAR ..MUD FLAP, reinforced rubber	FV781762 FV722050	2	
NI	A	7BD	5340-99-838-7541	..STRIP, RETAINING, METALLIC, steel, painted, 15-3/4 in. lg x 1in. w x 1/16in. thk, 3 holes			
NI	A	G1	5305-99-122-5361	..SCREW, MACHINE, steel, zinc plated, hex hd, M6 x 20mm lg	FV781761	2	
NI	A	G1	5310-99-122-5295	..NUT, PLAIN, HEXAGON, steel, zinc plated, M6		10	
NI	A	G1	5310-99-137-9232	..WASHER, LOCK, steel, zinc plated, 6mm id		10	
NI	A	6MT14	2540-99-839-3710	..STUD, TYRE, 12mm od; 20mm lg, approx 200 per tyre			AR

FIG ITEM	MAN CODE NAVY - N ARMY - A RAF - R	NATO STOCK NUMBER	ITEM NAME AND DESCRIPTION	PART NO./ DRAWING NO.	NO. OFF	ANNOTATIONS
NI	A 6MT11	2540-99-815-8459	WINTERISATION KIT - contd .CHAIN ASSEMBLY, TYRE; u/w 12.00- 20 tyres on B8 0.20 rim .INNER TUBE, PNEUMATIC TYRE, commercial type, 12.00 x 20		4	
NI	A 6MT14	2610-99-808-0631				4

CHAPTER 1-7

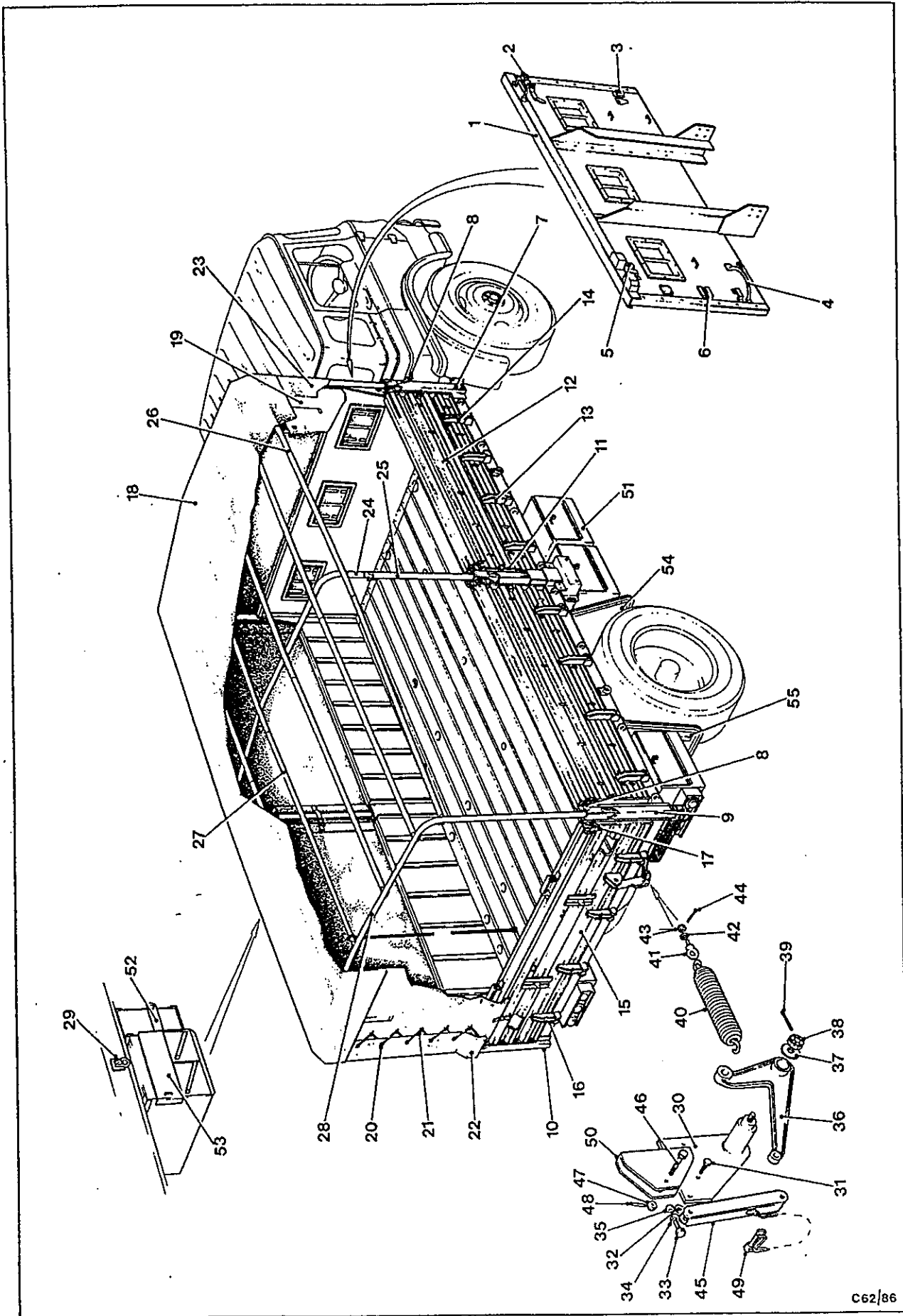
Body parts list for the TRUCK, 4 TONNE, BEDFORD MJ – ALL VARIANTS



C62/86

Fig 1 Body

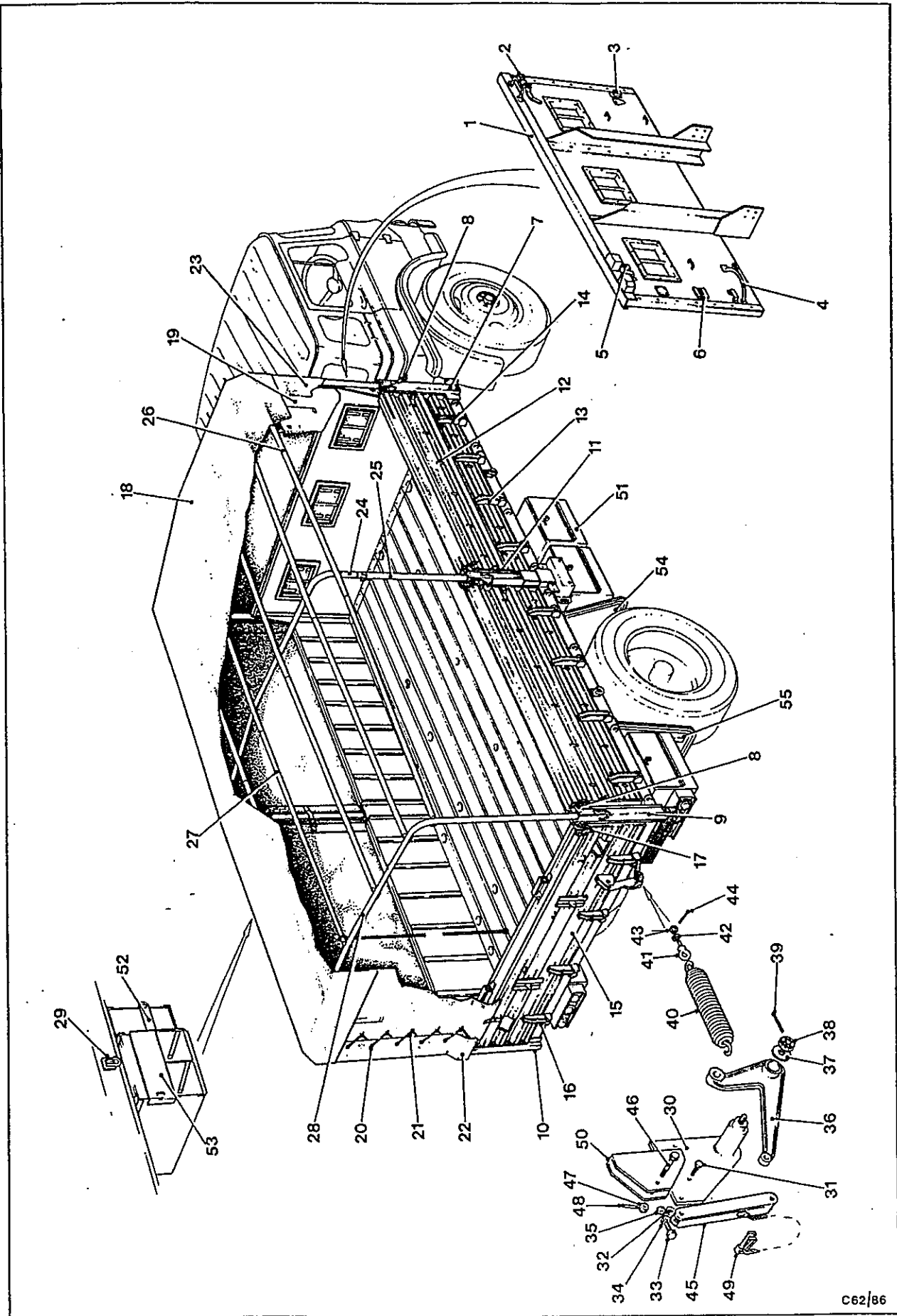
FIG ITEM	MAN CODE NAVY - N ARMY - A RAF - R	NATO STOCK NUMBER	ITEM NAME AND DESCRIPTION	PART NO./ DRAWING NO.	NO. OFF	ANNOTATIONS
Fig 1						
NI	A	E3	4030-99-201-9239			
			BODY - .SHACKLE, steel, galvanised, 2-3/4 in. inside leg, 1-1/8 in.w between eyes, 1-1/2 ton SWL, large bow		4	
NI	A	6MT13	5340-99-802-5094			
			.CLEAT, ROPE, CI, single horn, 2.810 in. lg, 1.190 in.h, one mtg hole	FV612228	7	
NI	A	6MT13	5340-99-802-5095			
			.CLEAT, ROPE, CI, double horn, 3.880 in. lg, 1.190 in.h, one mtg hole	FV612229	6	
NI	A	G1	5305-99-120-7990			
			.SCREW, MACHINE, UNF, steel, pan hd, cross recess drive, No.2 type zinc coated, 1/4 in. x 1 in.		9	
NI	A	G1	5305-99-941-0280			
			.SCREW, MACHINE, UNF, steel, hex hd, zinc coated, 1/4 in. x 1 in.		4	
NI	A	G1	5310-99-120-3023			
			.NUT, PLAIN, HEXAGON, UNF, steel, self locking, nylon insert, cadmium plated, 1/4 in.		13	
NI	A	G1	5310-99-941-8178			
			.WASHER, FLAT, steel, zinc coated, 1/4 in.		13	
1		NP				
NI	A	G1	5306-99-941-0299			
			.BULKHEAD ..BOLT, MACHINE, UNF, steel, hex hd, zinc coated, 5/16 in. x 1-1/2 in.	FV634189	1	
NI	A	G1	5306-99-941-0297			
			..BOLT, MACHINE, UNF, steel, hex hd, zinc coated, 5/16 in. x 1-1/4 in.		14	
NI	A	G1	5310-99-941-8608			
			..WASHER, FLAT, steel, zinc coated, 5/16 in.		18	
NI	A	G1	5310-99-941-6655			
			..WASHER, LOCK, steel, single coil, sq section, 5/16 in.		18	
NI	A	G1	5310-99-941-0925			
			..NUT, PLAIN, HEXAGON, UNF, steel, zinc coated, 5/16 in.		32	
NI	A	G1	5306-99-941-0282			
			..BOLT, MACHINE, UNF, steel, hex hd, zinc coated, 1/4 in. x 1-1/4 in.		32	
NI	A	G1	5310-99-941-6654			
			..WASHER, LOCK, steel, single coil, sq section, 1/4 in.		30	
NI	A	G1	5310-99-941-0924			
			..NUT, PLAIN, HEXAGON, UNF, steel, zinc coated, 1/4 in.		30	
2-6		NP				
2	A	6MT13	2510-99-808-5892			
			.BULKHEAD, STOWAGE	FV689472	1	
NI	A	M3	5340-99-136-2490			
			..STRAP, CROWBAR HOUSING, securing	FV192486	1	
NI	A	M3	5340-99-136-2489			
			..STRAP, WEBBING, cotton, 12 in.lg, 1 in.w, w/buckle & end clip		1	
NI	A	M3	5340-99-136-5735			
			..STRAP, WEBBING, cotton, 9 in.lg, 1 in. w, w/buckle & end clip		1	
NI	A	M3	5340-99-136-5736			
			..STRAP, WEBBING, cotton, 18 in.lg, 1 in. w; w/buckle & end clip		1	
			..STRAP, WEBBING, cotton, 27 in.lg, 1 in. w; w/buckle & end clip		2	
3	A	6MT13	2510-99-808-5895			
			..RACK, STOWAGE, VEHICULAR, crowbar	FV192491	1	
4	A	6MT13	2590-99-808-5893			
			..RACK, STOWAGE, VEHICULAR, shovel	FV192488	1	
NI	A	6MT13	2590-99-808-5896			
			..RACK, STOWAGE, VEHICULAR, pick helve	FV192483	1	
NI	A	6MT13	2540-99-808-7888			
			..GUARD RAIL, crowbar & pick helve	FV192489	1	
5	A	6MT13	2510-99-895-9478			
			..SUPPORT, shovel handle	FV192490	1	
6	A	6MT13	2540-99-128-3710			
			..CLAMP, STOWAGE, VEHICULAR, steel; c/w brass wing nut, 3-1/2 in.lg, 2-3/4 in. sq base plate	FV255388	1	
NI	A	6MT13	2540-99-812-9620			
			..CLAMP PLATE, pickaxe head, steel 2 in. lg, 1 in.w, 1/4 in. thk, one central hole 29/64 in. dia	FV192485	1	



c62/86

Fig 1 Body

FIG ITEM	MAN CODE NAVY - N ARMY - A RAF - R	NATO STOCK NUMBER	ITEM NAME AND DESCRIPTION	PART NO./ DRAWING NO.	NO. OFF	ANNOTATIONS
NI			BODY - contd			
NI			.BULKHEAD, STOWAGE - contd			
NI	A	6MT1 5360-99-825-4444	..CLAMP, STOWAGE, VEHICULAR, steel; c/w brass wing nut, 3-1/2 in. lg, 2-3/4 in. sq base plate - contd			
NI	A	G1 5310-99-944-0550	...SPRING, HELICAL, COMPRESSION, steel, 1/16 in. dia wire, 9/16 in. od, 2 in. free length, 9-1/2 working coils		1	
NI	A	G1 5310-99-941-3221	..WASHER, LOCK, steel, single coil, cadmium plated, 3/8 in.		1	
NI	A	M3 5340-99-136-5751	..NUT, PLAIN, WING, UNF, brass, 3/8 in., 1-13/32 in. w, 23/32 in. lg		1	
NI	A	G1 5305-99-941-1774	..STRAP, WEBBING, cotton, 1 in. w, 9 in. lg		2	
NI	A	G1 5305-99-941-1772	..SCREW, MACHINE, UNF, steel, csk hd, zinc coated, 5/16 in. x 3 in.		2	
NI	A	G1 5310-99-941-8608	..SCREW, MACHINE, UNF, steel, csk hd, zinc coated, 5/16 in. x 2-1/4 in.		2	
NI	A	G1 5310-99-941-0549	..WASHER, FLAT, steel, zinc coated, 5/16 in.		4	
NI	A	G1 5310-99-941-0925	..WASHER, LOCK, steel, single coil, zinc coated, 5/16 in.		4	
NI	A	G1 5306-99-941-0283	..NUT, PLAIN, HEXAGON, UNF, steel, zinc coated, 5/16 in.		4	
NI	A	G1 5306-99-941-0282	..BOLT, MACHINE, UNF, steel, hex hd, zinc coated, 1/4 in. x 1-3/8 in.		4	
NI	A	G1 5306-99-941-0282	..BOLT, MACHINE, UNF, steel, hex hd, zinc coated, 1/4 in. x 1-1/4 in.		2	
NI	A	6MT1 5310-99-825-5878	..PLATE, WASHER, PLAIN, steel, 2 in. lg, 1 in. w, 10 SWG thk, 2 holes 7/32 in. dia, csk, pickaxe helve strap plate	FV192487	1	
NI	A	6MT1 5340-99-825-5879	..STRAP, RETAINING, steel, 1-5/8 in. lg, 1/2 in. h, grip, 3-3/8 in. lg, 1 in. w, 1/8 in. thk 2 holes 9/32 in. dia, securing pickaxe head	FV192492	1	
NI	A	6MT13 5315-99-808-9413	..STAPLE, CANOPY STRAP, 1-1/2 in. w		4	
NI	A	G1 5305-99-941-1774	..SCREW, MACHINE, UNF, steel, flat csk hd, slot drive, zinc coated, 5/16 in. x 3 in.		2	
NI	A	G1 5305-99-941-1753	..SCREW, MACHINE, UNF, steel, flat csk hd, slot drive, zinc coated, 1/4 in. x 1-1/4 in.		2	
NI	A	G1 5305-99-941-1975	..SCREW, MACHINE, UNF, steel, flat csk hd, slot drive, zinc coated, No.10 x 1-1/4 in.		2	
NI	A	G1 5305-99-941-1974	..SCREW, MACHINE, UNF, steel, flat csk hd, slot drive, cadmium plated, No.10 x 1-1/4 in.		14	
NI	A	G1 5306-99-941-0281	..BOLT, MACHINE, UNF, steel, hex hd, zinc coated, 1/4 in. x 1-1/8 in.		8	
NI	A	G1 5310-99-941-2419	..NUT, PLAIN, HEXAGON, UNF, No.10		16	



c62/86

Fig 1 Body

FIG ITEM	MAN CODE NAVY - N ARMY - A RAF - R	NATO STOCK NUMBER	ITEM NAME AND DESCRIPTION	PART NO./ DRAWING NO.	NO. OFF	ANNOTATIONS
Fig 1			BODY - contd			
NI	A	G1	5305-99-941-1753 ..BULKHEAD, STOWAGE - contd			
NI	A	G1	5310-99-101-7838 ..SCREW, MACHINE, UNF, steel, csk hd zinc coated, 1/4 in. x 1-1/4 in.		2	
NI	A	G1	5310-99-944-0548 ..WASHER, FLAT, steel, zinc coated, 1/4 in.		16	
NI	A	G1	5310-99-941-0924 ..WASHER, LOCK, steel, single coil, zinc coated, 1/4 in.		16	
NI	A	G1	5305-99-941-1743 ..NUT, PLAIN, HEXAGON, UNF, steel, zinc coated, 1/4 in.		16	
NI	A	G1	5305-99-941-1742 ..SCREW, MACHINE, UNF, steel, csk hd zinc coated, No.10 x 1-1/4 in.		2	
NI	A	G1	5310-99-101-7837 ..SCREW, MACHINE, UNF, steel, csk hd hd, zinc coated, No.10 x 1 in.		14	
NI	A	G1	5310-99-944-0547 ..WASHER, FLAT, steel, zinc coated, 3/16 in.		16	
NI	A	G1	5310-99-944-0547 ..WASHER, LOCK, steel, single coil, sq section, 3/16 in.		16	
NI	A	G1	5310-99-941-2419 ..NUT, PLAIN, HEXAGON, UNF, steel, zinc coated, 3/16 in.		16	
NI	A	G1	5305-99-941-7489 ..SCREW, WOOD, FLAT CSK HD, slotted, No.8 x 1/4 in.		4	
NI	A	G1	5305-99-941-0512 ..SCREW, MACHINE, UNF, steel, hex hd, zinc coated, 1/4 in. x 2-1/2 in.		12	
NI	A	G1	5305-99-941-1970 ..SCREW, MACHINE, UNF, steel, flat csk hd, slot drive, cadmium plated, No.10 x 1/2 in.		4	
NI	A	G1	5305-99-041-0513 ..SCREW, MACHINE, UNF, steel, hex hd, zinc coated, 1/4 in. x 3/4 in.		2	
NI	A	G1	5305-99-941-1749 ..SCREW, MACHINE, UNF, steel, flat csk hd, slot drive, zinc coated, 1/4 in. x 5/8 in.		2	
NI	A	G1	5310-99-804-7941 ..NUT, PLAIN, HEXAGON, UNF, steel, zinc coated, 1/4 in.		16	
NI	A	G1	5310-99-941-2419 ..NUT, PLAIN, HEXAGON, UNF, steel, zinc coated, No.10		4	
NI	A	G1	5310-99-944-0548 ..WASHER, LOCK, steel, single coil, zinc coated, 1/4 in.		16	
NI	A	G1	5310-99-944-0547 ..WASHER, LOCK, steel, single coil, zinc coated, 3/16 in.		4	
NI	A	G1	5305-99-941-1773 ..SCREW, MACHINE, UNF, csk hd, slot drive, zinc coated, 5/16 in. x 2-1/2 in.		2	
7,8	A	6MT13	2510-99-812-9024 ..STANCHION, VEHICLE BODY, steel, 45-3/4 in. lg, 3-3/4 in. w, 4-11/16 in. h, front rh corner	FV634179	1	
8	A	6MT13	5315-99-812-9025 ..PIN, TOGGLE HEADED, steel, 3/8 in. dia, 4-5/8 in. lg; c/w chain & brass tip	FV724937	1)) Straight
NI	A	Z19	4935-99-620-4051 ..SPRING, COTTER	FV777842	1)) type
NI	A	6MT13	2510-99-812-9023 ..STANCHION, VEHICLE BODY, steel, 45-3/4 in. lg, 3-3/4 in. w, 4-11/16 in. h, front lh corner	FV634178	1) Alternat-
NI	A	6MT13	5315-99-812-9025 ..PIN, TOGGLE HEADED, steel, 3/8 in. dia, 4-5/8 in. lg; c/w chain & brass tip	FV724937	1) ive
NI	A	Z19	4935-99-620-4051 ..SPRING, COTTER	FV777842	1)) Straight
NI	A	6MT13	2590-99-828-9744 ..BRACKET, ASSEMBLY, HOOPSTICK, STOWAGE, steel, lh	FV698303	1)) type
NI	A	6MT13	2590-99-828-9745 ..BRACKET ASSEMBLY, HOOPSTICK, STOWAGE, steel, rh	FV698304	1) Alternat-

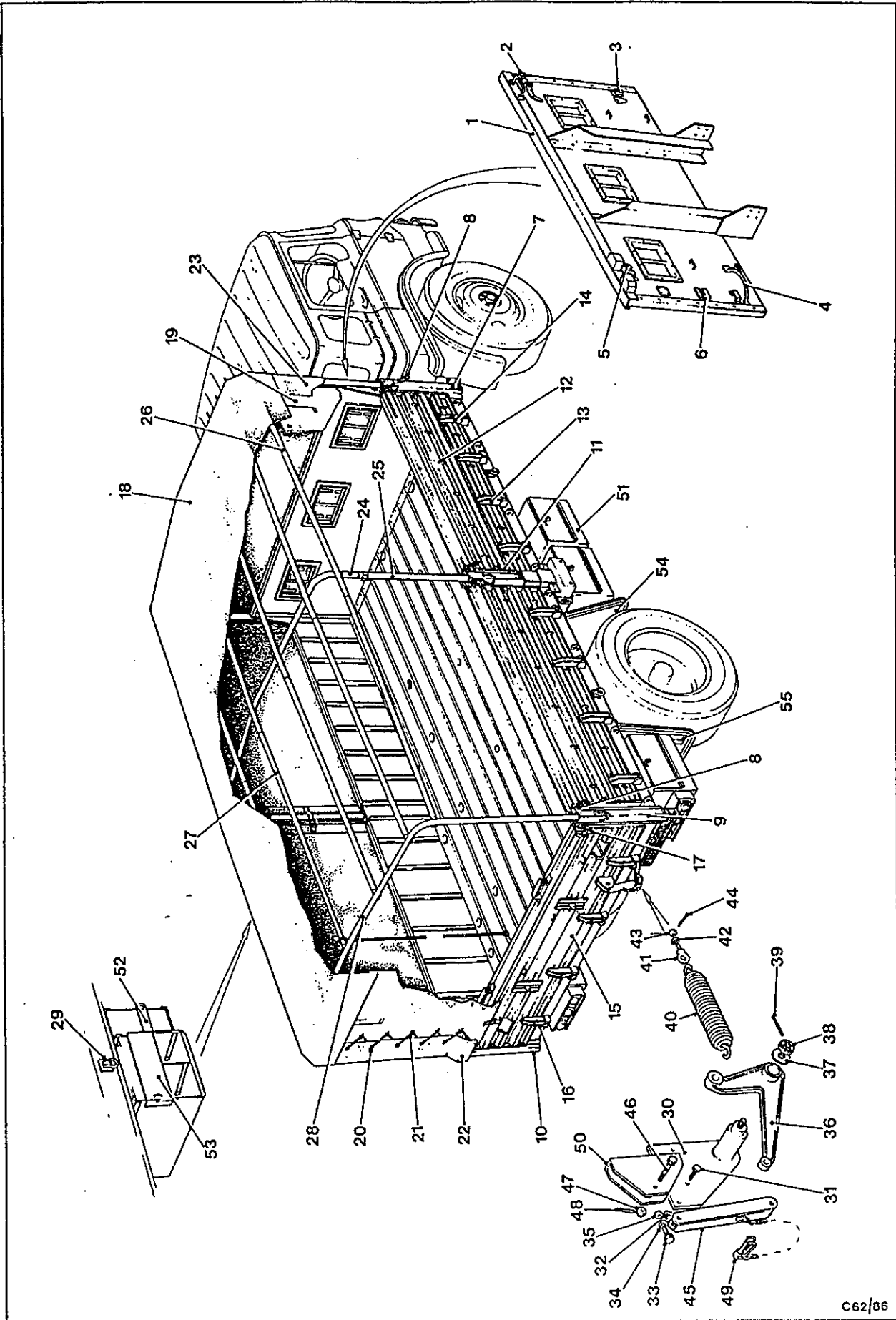
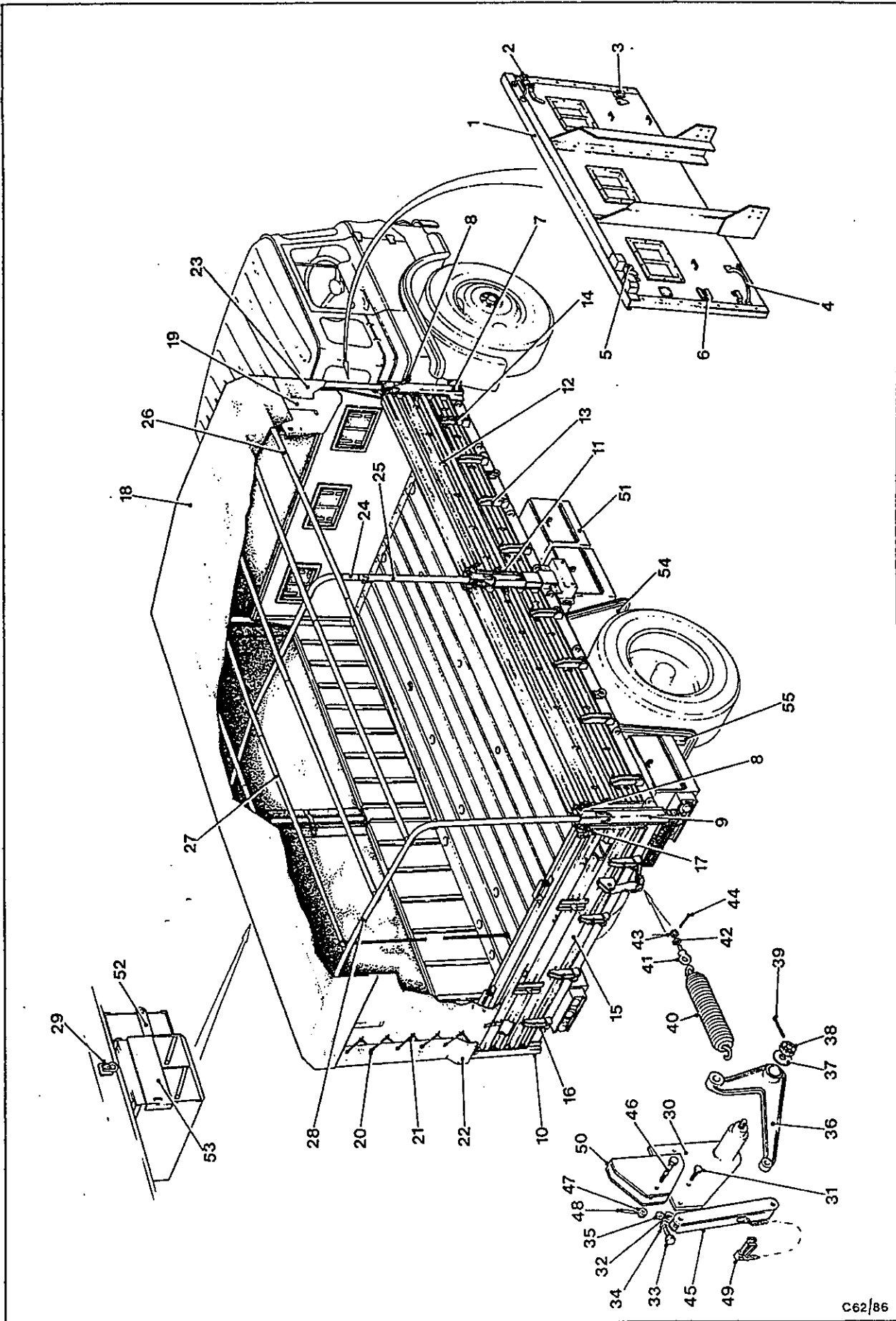


Fig 1 Body

FIG ITEM	MAN CODE NAVY - N ARMY - A RAF - R	NATO STOCK NUMBER	ITEM NAME AND DESCRIPTION	PART NO./ DRAWING NO.	NO. OFF	ANNOTATIONS	
Fig 1							
8,9	A	6MT13	2510-99-812-9027	BODY - contd ..STANCHION, VEHICLE BODY, steel, 32-1/2 in. lg, 4-5/16 in. w, 4-11/16 in. h, rear rh corner	FV634182	1	
8	A	6MT13	5315-99-812-9025	..PIN, TOGGLE HEADED, steel, 3/8 in. dia, 4-5/8 in. lg- c/w chain & brass tip	FV724937	1)) Straight)) type
NI	A	Z19	4935-99-620-4051	..SPRING, COTTER	FV777842	1)) Alternat-
NI	A	6MT13	2540-99-827-8872	..HOOK AND CHAIN	FV698323	1)) ives
NI	A	6MT13	2540-99-827-8871	..HOOK AND CHAIN	FV698322	1))
8,10	A	6MT13	2510-99-812-9026	..STANCHION, VEHICLE BODY, steel, 32-1/2 in. lg, 4-5/16 in. w, 4-11/16 in. h, rear lh corner	FV634181	1	
NI	A	6MT13	5315-99-812-9025	..PIN, TOGGLE HEADED, steel, 3/8 in. dia, 4-5/8 in. lg- c/w chain & brass tip	FV724937	1)) Straight)) type
NI	A	Z19	4935-99-620-4051	..SPRING, COTTER	FV777842	1)) Alternat-
NI	A	6MT13	2540-99-827-8871	..HOOK AND CHAIN	FV698322	1)) ives
NI	A	6MT13	2540-99-827-8872	..HOOK AND CHAIN, 5.310 in. o/a lg	FV698323	1))
8,11	A	6MT13	2510-99-812-9028	..STANCHION, VEHICLE BODY, steel, 32-3/8 in. lg- 4 in. w	FV634180	2	
NI	A	6MT13	5315-99-812-9025	..PIN, TOGGLE HEADED, steel, 3/8 in. dia, 4-5/8 in. lg- c/w chain & brass tip	FV724937	2)) Straight)) type
NI	A	Z19	4935-99-620-4051	..SPRING, COTTER	FV777842	2)) Alternat-)) ives
12,14	A	7BD	2510-99-823-3647	..SIDE RACK, VEHICULAR PLATFORM, 81-1/2 in. lg	FV621310	4	
13	A	6MT13	2510-99-812-9029	..HINGE, DROPSIDE, VEHICLE BODY, steel, 9-1/2 in. lg, 3-1/8 in. w, 1-3/4 in. h, inner	FV689525	8	
14	A	6MT13	2510-99-812-9030	..HINGE, DROPSIDE, VEHICLE BODY, steel, 9-1/2 in. lg, 3-1/8 in. w, 1-3/4 in. h, outer	FV698325	8	
NI	A	6MT13	2510-99-808-7698	..KEY, TAILBOARD	FV333659	8	
NI	A	6MT13	2510-99-824-7929	..BRACKET, taper wedge, lh	FV702029	4	
NI	A	6MT13	2510-99-824-7930	..BRACKET, taper wedge, rh	FV702030	4	
NI	A	6MT13	5340-99-817-6867	..BUMPER, rubber, 4-7/8 in. lg, 1-11/16 in. w, 1-5/8 in. h	HR838	4	
NI	A	6MT13	5340-99-838-5656	..HOOK SUPPORT, steel, 3.38 in.lg x 2.88 in. w x 2.63 in. h	FV724926	16	Lift off hinges
15-17	A	6MT13	2510-99-812-9031	..TAILBOARD, VEHICLE BODY	FV698312	1	
16	A	6MT13	2510-99-813-0151	..HINGE, TAILBOARD, VEHICLE BODY, steel, 11-7/16 in. lg, 3-1/8 in. w, 1-3/4 in. h, inner	FV698317	4	
17	A	6MT13	2510-99-808-7698	..KEY, TAILBOARD	FV333659	2	
NI	A	6MT13	2510-99-808-6750	..HOOK, CHAIN, TAILBOARD	FV333632	2	
NI	A	G1	5315-99-137-7276	..PIN, SPRING, steel, 1/16 in. dia, 1/2 in. lg	0.062 in.x 1.2 HBK	8	
NI	A	6MT13	5340-99-820-4481	..BUMPER, rubber, 2 in. od x 1-3/8 in. h		2	
NI	A	6MT13	5340-99-838-5657	..HOOK, SUPPORT, steel, 3.38 in.lg x 2.88 in. w x 2.63 in. h	FV724926	4	Lift off hinges

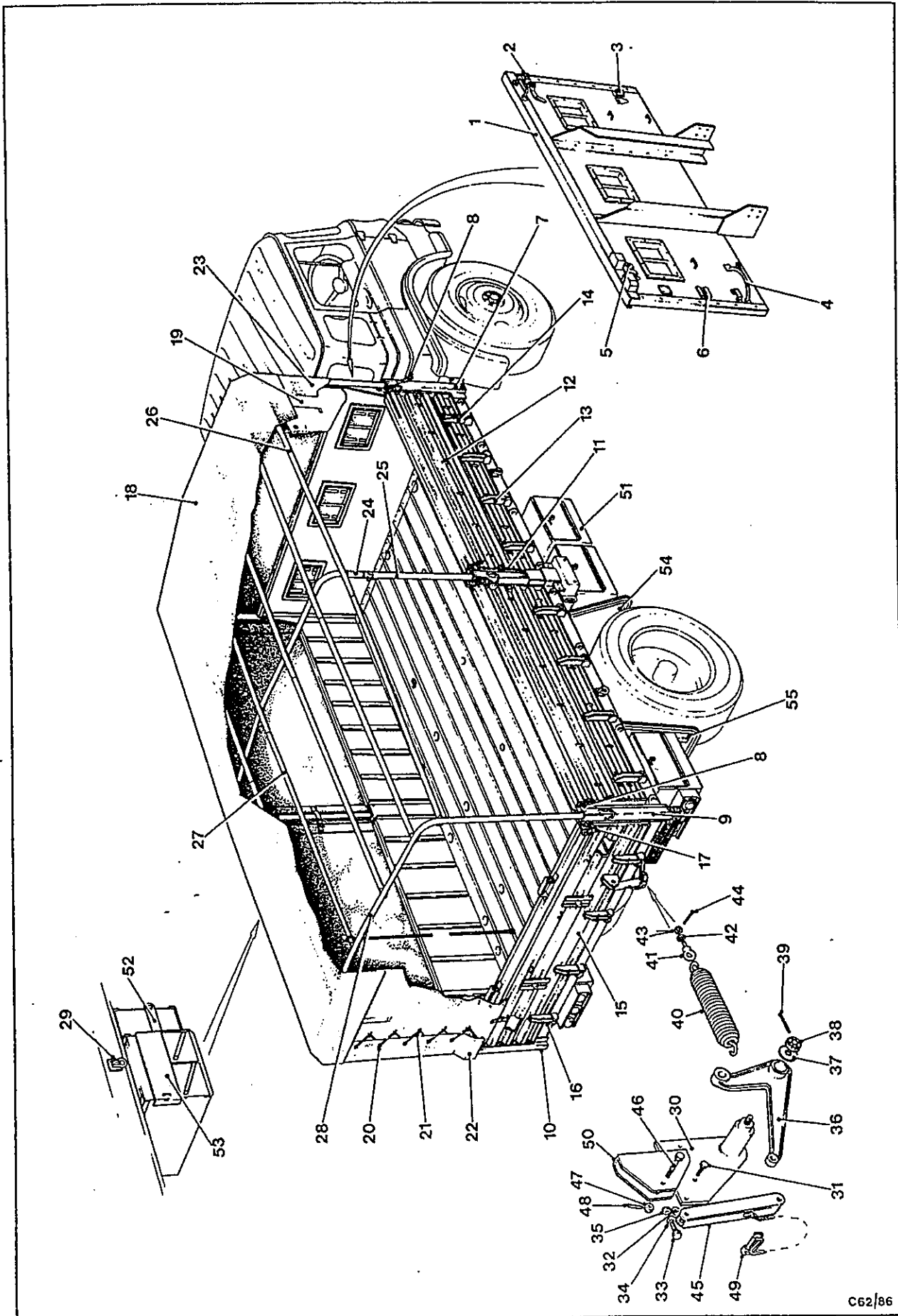


C62/86

Fig 1 Body

FIG ITEM	MAN CODE NAVY - N ARMY - A RAF - R	NATO STOCK NUMBER	ITEM NAME AND DESCRIPTION	PART NO./ DRAWING NO.	NO. OFF	ANNOTATIONS
Fig 1						
NI	A	6MT13	2540-99-815-9229	BODY - contd .CHAIN ASSEMBLY, TAILBOARD HOOK	FV727203	2
NI	A	6MT13	2540-99-820-4493	.CHAIN ASSEMBLY, TAILBOARD	FV698324	2
NI	A	G1	5305-99-941-1755	.SCREW, MACHINE, UNF, steel, flat csk hd, slot drive, zinc coated 1/4 in. x 1-3/4 in.		2
NI	A	G1	5305-99-941-1970	.SCREW, MACHINE, UNF, steel, flat csk hd, slot drive, cadmium plated, No.10 x 1/2 in.		8
NI	A	G1	5310-99-941-2419	.NUT, PLAIN, HEXAGON, UNF, steel, zinc coated, No.10		8
NI	A	G1	5310-99-944-0547	.WASHER, LOCK, BA, steel, single coil, cadmium plated No.2		8
NI	A	G1	5305-99-941-0328	.BOLT, MACHINE, UNF, steel, hex hd, zinc coated, 7/16 in. x 1-1/2 in.		38
NI	A	G1	5306-99-941-0330	.BOLT, MACHINE, UNF, steel, hex hd, zinc coated, 7/16 in. x 2 in.		2
NI	A	G1	5305-99-941-0525	.SCREW, MACHINE, UNF, steel, hex hd, zinc coated, 5/16 in. x 3/4 in.		58
NI	A	G1	5305-99-941-0526	.SCREW, MACHINE, UNF, steel, hex hd, zinc coated, 5/16 in. x 7/8 in.		51
NI	A	G1	5305-99-941-0527	.SCREW, MACHINE, UNF, steel, hex hd, zinc coated, 5/16 in. x 1 in.		25
NI	A	G1	5305-99-941-0541	.SCREW, MACHINE, UNF, steel, hex hd, zinc coated, 3/8 in. x 1 in.		12
NI	A	G1	5310-99-941-0925	.NUT, PLAIN, HEXAGON, UNF, steel, zinc coated, 5/16 in.		40
NI	A	G1	5310-99-941-0926	.NUT, PLAIN, HEXAGON, UNF, steel, zinc coated, 3/8 in.		12
NI	A	G1	5310-99-941-0927	.NUT, PLAIN, HEXAGON, UNF, steel, zinc coated, 7/16 in.		42
NI	A	G1	5310-99-941-0882	.NUT, SLOTTED, HEXAGON, UNF, steel, zinc coated, 3/8 in.		1
NI	A	G1	5315-99-944-0174	.PIN, COTTER, SPLIT, steel, 1/16 in. x 1-7/8 in.		1
NI	A	G1	5310-99-944-0549	.WASHER, LOCK, steel, single coil, zinc coated, 5/16 in.		40
NI	A	G1	5310-99-944-0550	.WASHER, LOCK, steel, single coil, zinc coated, 3/8 in.		12
NI	A	G1	5310-99-944-0551	.WASHER, LOCK, steel, single coil, zinc coated, 7/16 in.		40
NI	A	G1	5320-99-120-3878	.RIVET, SOLID, steel, snap hd, 1/4 in. x 5/8 in.		8
18-23	A	6MT13	2540-99-812-9034	.CANOPY, VEHICLE BODY	FV689500	1
18-23	A	6MT13	2540-99-820-2756	.CANOPY, VEHICLE BODY	FV692487	1
NI	A	6MT13	2540-99-812-9254	.CANOPY - ..SHEET, VEHICULAR CANOPY, top	FV689503	1
NI	A	6MT13	8340-99-881-2309	...HOOK, TENT, brass	FV334935	22
NI	A	6MT13	5340-99-808-7710	...HOOK, brass, 2 in. x 3/4 in. centres	FV113177	6
NI	A	6MT1	5340-99-801-7952	...STRAP, WEBBING, cotton, 1-1/4 in. x 12 in; c/w buckle & clip end		31
NI	A	6MT1	5340-99-801-7958	...STRAP, WEBBING, cotton, 1-1/4 in, x 9 in. c/w buckle & clip end		19

} Alternatives



C62/86

Fig 1 Body

FIG ITEM	MAN CODE NAVY - N ARMY - A RAF - R	NATO STOCK NUMBER	ITEM NAME AND DESCRIPTION	PART NO./ DRAWING NO.	NO. OFF	ANNOTATIONS
Fig 1			BODY - contd ..CANOPY - contd ..SHEET VEHICULAR CANOPY - contd			
NI A	6MT1	5340-99-801-7953	...STRAP, WEBBING, cotton, 1-1/4 in. x 15 in; c/w clip end		29	
NI A	G1	5320-99-136-2729	...RIVET, SOLID, copper, flat hd, 5/16 in. x 1/2 in.		44	
NI A	G1	5310-99-137-7111	...WASHER, FLAT, copper, 5/16 in. id, 5/8 in. od, 15 SWG thk		44	
NI A	G1	5310-99-941-9267	...WASHER, FLAT, copper, 3/8 in. id		12	
NI A	G1	5320-99-433-2342	...RIVET, SOLID, copper, flat hd, 5/16 in. x 7/8 in.		44	
NI A	G1	5320-99-433-2346	...RIVET, SOLID, copper, flat hd, 3/8 in. x 1 in.		12	
NI A	G1	5320-99-977-3103	...RIVET, SOLID, copper, tinned, 3/8 in. dia x 5/8 in. lg		12	
NI A	G1	5320-99-433-2440	...RIVET, SOLID, steel, button hd, 1/4 in. x 2 in. lg		6	Canopy Rail
NI A	G1	5310-99-432-7086	...WASHER, FLAT, copper, 5/16 in.		44	
NI A	G1	5310-99-432-7102	...WASHER, FLAT, copper, 25/64 in.		12	
NI A	G1	5310-99-941-9267	...WASHER, FLAT, copper, 3/8 in.		12	
19 A	6MT13	2540-99-812-9242	..SHEET, VEHICULAR CANOPY, front rh side	FV689497	1) Alternat-) ives
NI A	6MT13	2540-99-820-2755	..SHEET, VEHICULAR CANOPY, front rh side	FV692489	1)
NI A	6MT13	2540-99-812-9241	..SHEET, VEHICULAR CANOPY, front lh side	FV689496	1) Alternat-) ives
NI A	6MT13	2540-99-820-2754	..SHEET, VEHICULAR CANOPY, front lh side	FV692488	1)
NI			..SHEET, VEHICULAR CANOPY, front, rh & lh side -			
20 A	G1	5325-99-127-7449	...GROMMET, METALLIC, brass	1629/2	36	
NI A	6MT1	5340-99-801-7952	...STRAP, WEBBING, 1-1/4 in. x 12 in.		6	
21 A	H2	4020-99-942-5009	...LINE, HEMP, 4 strand, 1 in. circ		AR	
NI A	6MT13	2540-99-812-9247	..SHEET, VEHICULAR CANOPY, rear, rh side	FV689499	1	
22 A	6MT13	2540-99-812-9246	..SHEET, VEHICULAR CANOPY, rear, lh side	FV689498	1	
NI			..SHEET, VEHICULAR CANOPY, rear, rh & lh, side -			
NI A	G1	5325-99-127-7449	...GROMMET, METALLIC, brass		20	
NI A	M3	5340-99-136-5745	...STRAP, WEBBING, 1/4 in. x 21 in.		3	
NI A	H2	4020-99-942-5009	...LINE, HEMP, 4 strand, 1 in. circ		AR	
NI A	6MT1	5340-99-801-7956	...STRAP, WEBBING, 1-1/4 in. x 18 in. lg; c/w buckle		6	
NI A	6MT1	5340-99-801-7958	...BUCKLE PIECE, WEBBING, 1-1/4 in. x 9 in. lg		12	
23 A	6MT13	2540-99-812-9248	..CURTAIN, VEHICULAR, front; w/windows	FV689501	1) Alternat-) ives
24 A	6MT13	2540-99-820-2757	..CURTAIN, VEHICULAR, front; w/windows	FV692490	1)
NI			..CURTAIN -			
NI A	G1	5325-99-127-7449	...GROMMET, METALLIC, brass	1629/2	2	
NI A	6MT13	8340-99-881-2309	...HOOK, TENT, bras-	FV334935	8	

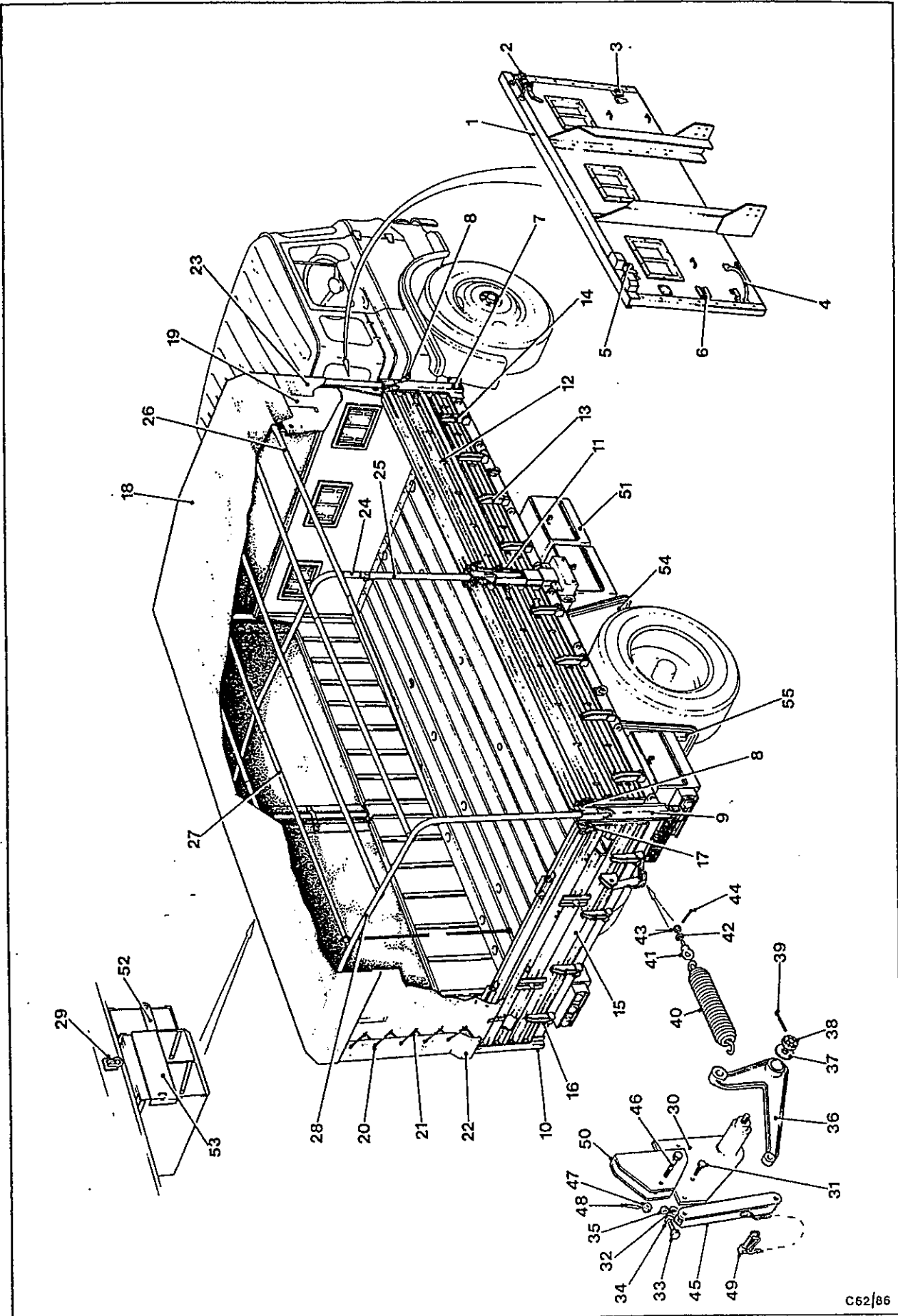
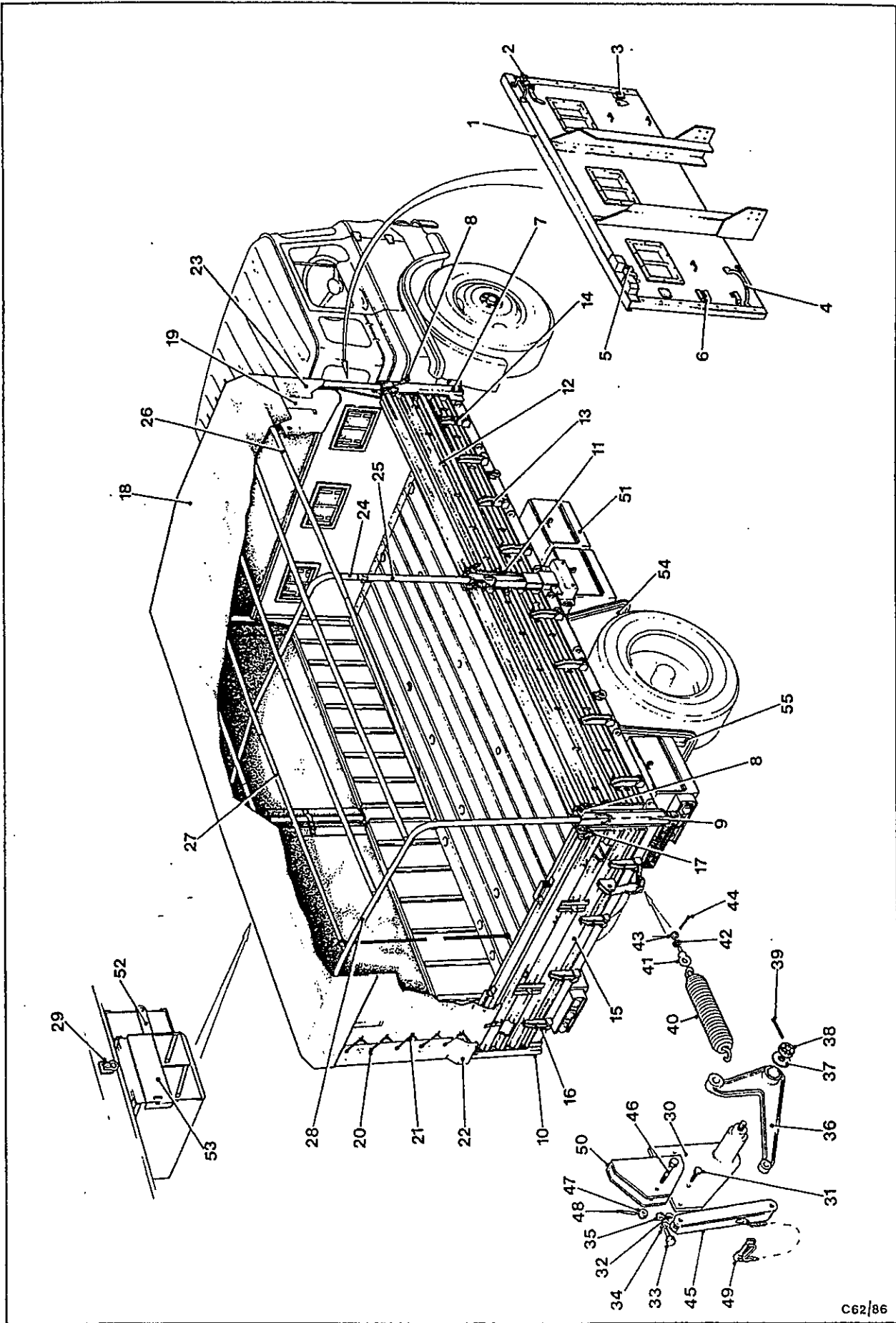


Fig 1 Body

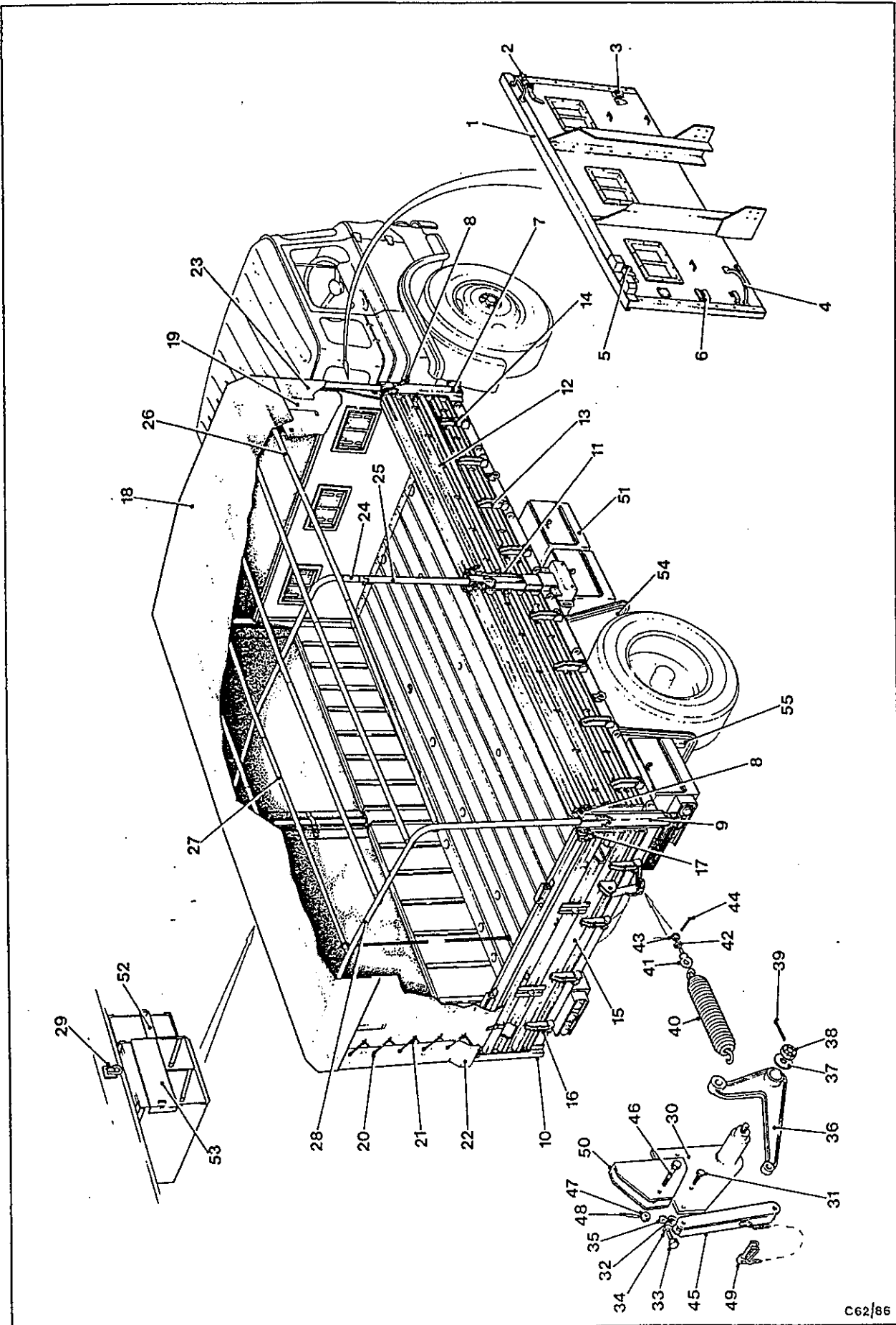
FIG ITEM	MAN CODE NAVY - N ARMY - A RAF - R	NATO STOCK NUMBER	ITEM NAME AND DESCRIPTION	PART NO./ DRAWING NO.	NO. OFF	ANNOTATIONS
Fig 1			BODY - contd .CANOPY - contd ..CURTAIN - contd			
NI A	6MT1	5340-99-801-7952	...STRAP, WEBBING, cotton, 1-1/4 in. x 12 in. lg; c/w buckle		15	
NI A	M3	5340-99-136-5745	...STRAP, WEBBING, cotton, 1-1/4 in. x 21 in. lg; c/w buckle		6	
NI A	6MT1	5340-99-801-7956	...STRAP, WEBBING, cotton, 1-1/4 in. x 18 in. lg; c/w buckle		9	
NI A	6MT1	5340-99-801-7958	...STRAP, WEBBING, cotton, 1-1/4 in. x 9 in. lg; c/w buckle		29	
NI A	G1	5320-99-136-2729	...RIVET, SOLID, copper, flat, hd, 5/16 in. x 1/2 in.		76	
NI A	G1	5310-99-137-7111	...WASHER, FLAT, copper, 5/16 in. id, 5/8 in. od, 15 SWG thk		76	
NI A	G1	5310-99-124-3865	...WASHER, FLAT, brass, 5/16 in. id x 5/8 in. od		16	
NI A	6MT13	2540-99-812-9249	..SHEET, VEHICULAR CANOPY, rear	FV689502	1	
NI A	6MT1	5340-99-801-7952	...STRAP, WEBBING, cotton, 1-1/4 in. x 12 in. lg; c/w buckle		5	
NI A	M3	5340-99-136-5745	...STRAP, WEBBING, cotton, 1-1/4 in. x 21 in. lg; c/w buckle		4	
NI A	6MT1	5340-99-801-7956	...STRAP, WEBBING, cotton, 1-1/4 in. x 18 in. lg; c/w buckle		4	
NI A	6MT13	8340-99-881-2309	...HOOK, TENT, brass		8	
NI A	G1	5325-99-127-7449	...GROMMET, METALLIC, brass	1629/2	2	
NI A	6MT1	5340-99-801-7958	...STRAP, WEBBING, cotton, 1-1/4 in. x 9 in. lg; c/w buckle		5	
NI A	G1	5320-99-136-2729	...RIVET, SOLID, copper, flat hd, 5/16 in. x 1/2 in.		16	
NI A	G1	5310-99-137-7111	...WASHER, FLAT, copper, 5/16 in. id, 5/8 in. od, 15 SWG thk		16	
24-28		NP	..SUPERSTRUCTURE	FV623396	1	
NI A	6MT13	2540-99-812-9255	..RAIL, CANOPY, steel, w/straps & buckles, front loop	FV689482	1	
NI A	M3	5340-99-136-5746	...STRAP, WEBBING, cotton, 1-1/4 in. x 24 in. lg; c/w buckle & end clip		3	
NI A	G1	5305-99-941-8369	...SCREW, TAPPING, THREAD FORMING, steel, pan hd, slot drive, gimlet point, cadmium plated, No.8 x 3/4 in.		6	
24	A	6MT13	..RAIL, CANOPY, steel, upper centre hoop	FV689483	1	
NI A	6MT13	2510-99-808-6753	...SWIVEL, JAW END	FV333641	2	
NI A	G1	5320-99-433-5211	...RIVET, SOLID, steel, snap hd, 1/4 in. x 1-7/8 in.		6	
25	A	6MT13	..RAIL, CANOPY, steel, lower centre; c/w quick release pin	FV689484	2	
NI A	6MT13	2510-99-808-6754	...TONGUE, END	FV333642	2	
NI A	6MT 1	5340-99-801-4463	...PIN, QUICK RELEASE, 5/8 in. dia, 'D' type	616	2) Alternat- ives
NI A	6MT13	2510-99-824-7931	...PIN, STRAIGHT, pull type	FV375070	2	
NI A	G1	4010-99-432-7155	...CHAIN, steel, 9 oz		AR	
NI A	G1	5320-99-433-5211	...RIVET, STEEL, snap hd, 1/4 in. x 1-7/8 in.		2	



C62/86

Fig 1 Body

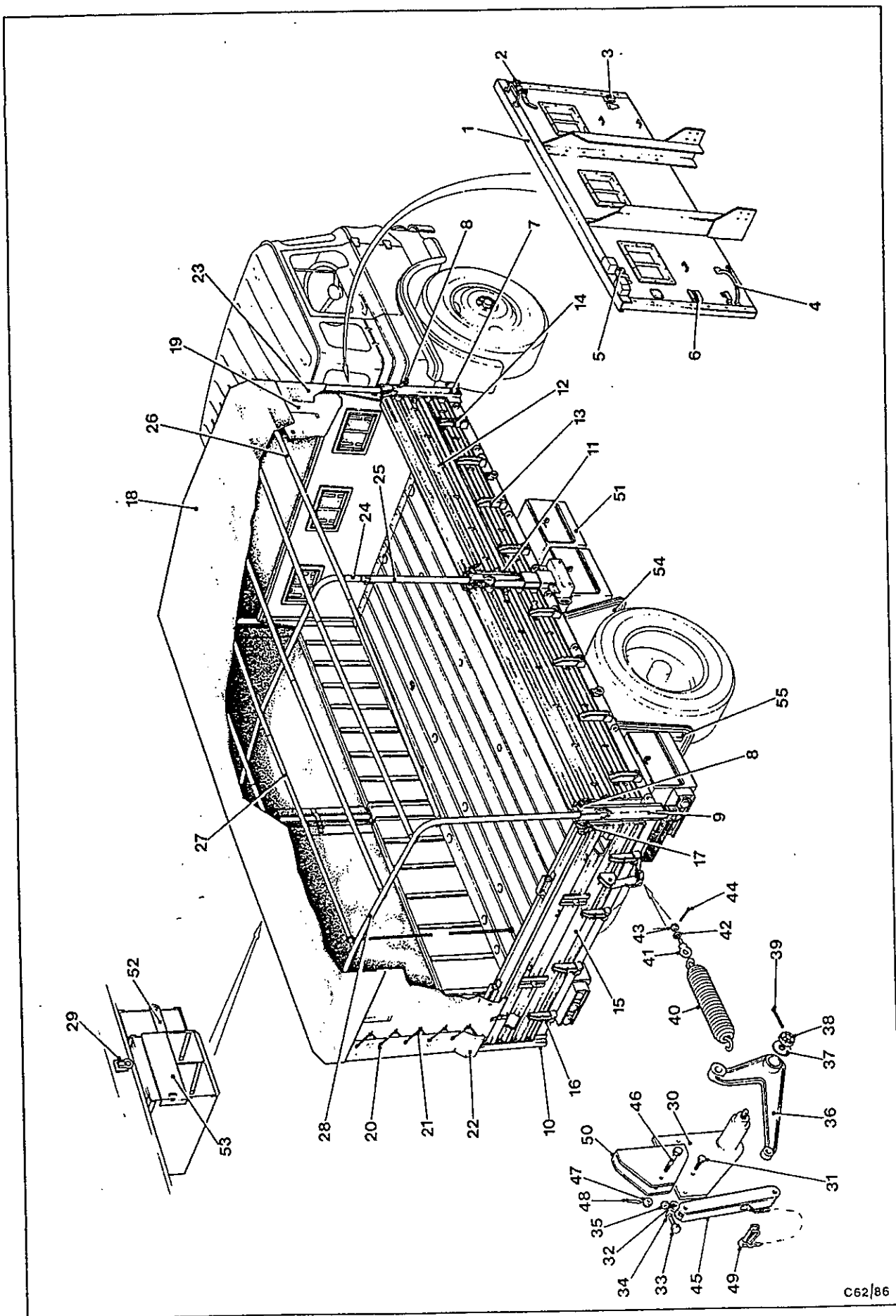
FIG ITEM	MAN CODE NAVY - N ARMY - A RAF - R	NATO STOCK NUMBER	ITEM NAME AND DESCRIPTION	PART NO./ DRAWING NO.	NO. OFF	ANNOTATIONS
Fig 1			BODY - contd			
			..SUPERSTRUCTURE - contd			
26	A	6MT13	2540-99-812-9341 ..RAIL, CANOPY, straight, front	FV689485	5	
27	A	6MT13	2540-99-812-9624 ..RAIL, CANOPY, straight, rear	FV689486	5	
28	A	6MT13	2540-99-812-9623 ..RAIL, CANOPY, steel, rear hoop	FV689481	1	
NI	A	G1	5306-99-120-3647 ..BOLT, SQUARE NECK, UNF, steel, csk hd, zinc coated, 5/16 in. x 2 in.		14	
NI	A	G1	5306-99-120-3648 ..BOLT, SQUARE NECK, UNF, steel, csk hd, zinc coated, 5/16 in. x 3 in.		7	
NI	A	G1	5310-99-947-1263 ..WASHER, FLAT, steel, cadmium plated, 5/16 in.		21	
NI	A	G1	5310-99-944-0549 ..WASHER, LOCK, steel, single coil, cadmium plated, 5/16 in.		21	
NI	A	G1	5310-99-941-0925 ..NUT, PLAIN, HEXAGON, UNF, steel, zinc coated, 5/16 in.		21	
NI	A	G1	5306-99-138-0447 ..BOLT, SQUARE NECK, ISO metric, steel, flat csk hd, 8 mm x 1.25 mm pitch x 50 mm lg; c/w nut		14	
NI	A	G1	5306-99-138-0444 ..BOLT, SQUARE NECK, ISO metric, steel, flat csk hd, 8 mm x 1.25 mm pitch x 75 mm lg; c/w nut		7	
NI	A	G1	5310-99-941-8623 ..WASHER, FLAT, steel, 0.328 in. id		21	
NI			.FLOOR -			
29	A	6MT13	2540-99-812-9342 ..SHACKLE, steel, c/w pivot block & pin	FV702033	26	
NI	A	G1	5315-99-137-7883 ..PIN, SPRING, steel, 3/8 in. x 1-3/4 in.	375-1750HBK	26) Alternat-
NI	A	G1	5315-99-124-4040 ..PIN, SPRING, steel, 3/8 in. x 1-3/4 in.		26) ives
NI	A	G1	5310-99-941-6747 ..WASHER, FLAT, steel, cadmium plated, 1 in.		26)
NI	A	G1	5310-99-138-4511 ..WASHER, FLAT, steel, 1 in. id x 2-1/4 in. od		26	
NI	A	6MT13	2510-99-820-4488 ..WEARING IRON, 20ft - 10-3/8 in. lg, 1-5/32 in. w, 9/32 in. h	FV692427-31	12	
NI	A	G1	5305-99-941-1976 ..SCREW, MACHINE, UNF, steel, flat csk hd, slot drive, cadmium plated, No.10 x 1-1/2 in.		144	
NI	A	G1	5305-99-941-1756 ..SCREW, MACHINE, UNF, steel, flat csk hd, slot drive, zinc coated, 1/4 in. x 2 in.		80	
NI	A	G1	5305-99-102-0934 ..SCREW, MACHINE, UNF, steel, pan hd, slot drive, cadmium plated, No.10 x 1-3/4 in.		10	
NI	A	Z2	5305-99-101-4222 ..SCREW, MACHINE, UNF, steel, pan hd, slot drive, cadmium plated, No.10 x 1/2 in.		152	
NI	A	Z2	5310-99-101-0733 ..WASHER, FLAT, BA, steel, cadmium plated, No.2		78	
NI	A	G1	5310-99-941-0547 ..WASHER, LOCK, steel, single coil, zinc coated, 3/16 in.		194	
NI	A	G1	5310-99-941-6654 ..WASHER, LOCK, steel, single coil, sq section, 1/4 in.		8	
NI	A	G1	5310-99-941-2419 ..NUT, PLAIN, HEXAGON, UNF, steel, zinc coated, No.10		194	
NI	A	G1	5310-99-941-0924 ..NUT, PLAIN, HEXAGON, UNF, steel, zinc coated, 1/4 in.		8	



c62/66

Fig 1 Body

FIG ITEM	MAN CODE NAVY - N ARMY - A RAF - R	NATO STOCK NUMBER	ITEM NAME AND DESCRIPTION	PART NO./ DRAWING NO.	NO. OFF	ANNOTATIONS
Fig 1						
30-49		NP	BODY - contd			
31	A G1	5305-99-941-0543	..CONTROL, TAILBOARD ..SCREW, MACHINE, UNF, steel, hex hd, zinc coated, 3/8 in. x 1-1/4 in.	FV623390	1	
32	A G1	5310-99-122-4812	..NUT, SELF-LOCKING, HEXAGON, UNF, steel, nylon insert, 3/8 in.		4	
NI	A G1	5310-99-124-3702	..NUT, SELF-LOCKING, HEXAGON, UNF, all steel, 3/8 in.		4	
33	A G1	5305-99-941-0539	..SCREW, MACHINE, UNF, steel, hex hd, zinc coated, 3/8 in. x 3/4 in.		3	
34	A G1	5310-99-941-6656	..WASHER, LOCK, steel, single coil, sq section, 3/8 in.		3	
35	A G1	5310-99-941-0926	..NUT, PLAIN, HEXAGON, UNF, steel, zinc coated, 3/8 in.		3	
36	A 6MT13	2510-99-802-3606	..BELLCRANK	FV612230	1	
37	A G1	5310-99-941-8582	..WASHER, FLAT, steel, zinc coated, 5/8 in.		1	
38	A G1	5310-99-941-0886	..NUT, SLOTTED, HEXAGON, UNF, steel, zinc coated, 5/8 in.		1	
NI	A G1	5310-99-941-6574	..NUT, SLOTTED, HEXAGON, UNF, 5/8 in.		1	
39	A G1	5315-99-944-0183	..PIN, COTTER, SPLIT, steel, 1/8 in. x 1-1/4 in.		1	
40	A 6MT13	2510-99-802-3605	..SPRING, HELICAL, EXTENSION, steel, hook both ends	FV612227	1	
41	A 6MT13	5306-99-808-6570	..EYEBOLT, 3/8 in. dia	FV243278	1	
42	A G1	5310-99-941-8635	..WASHER, FLAT, steel, zinc coated, 3/8 in.		1	
43	A G1	5310-99-136-4295	..NUT, SLOTTED, HEXAGON, UNF, steel, zinc coated, 3/8 in.		1	
44	A G1	5315-99-944-0174	..PIN, COTTER, SPLIT, steel, phosphated, 1/16 in. x 1-7/8 in.		1	
45	A 6MT13	2540-99-812-9343	..LINK, TAILBOARD, control arm	FV698307	1	
46	A G1	5306-99-941-0330	..BOLT, MACHINE, UNF, steel, hex hd, zinc coated, 7/16 in. x 2 in.		1	
NI	A G1	5310-99-941-8636	..WASHER, FLAT, steel, zinc coated, 7/16 in.		1	
47	A G1	5310-99-941-0883	..NUT, SLOTTED, HEXAGON, UNF, steel, zinc coated, 7/16 in.		1	
48	A G1	5315-99-944-0174	..PIN, COTTER, SPLIT, steel, phosphated, 1/16 in. x 1-7/8 in.		1	
49	A 6MT1	2510-99-895-4763	..ABBEY PIN, c/w chain and tap	713	1	
NI	A G1	5315-99-944-0183	..PIN, COTTER, SPLIT, steel, 1/8 in. x 1-1/4 in.		1	
NI	A 6MT13	2590-99-818-4502	.MOUNTINGS - ..LOCKER, STOWAGE, VEHICULAR, steel, 20 in. x 16-1/2 in. x 15-3/4 in.	FV689543	4	
NI	A 6MT13	5340-99-136-0497	...CATCH, LOCKER, steel, body & locking lever; c/w rubber washer 1/8 in. thk	M304	4	
NI	A 6MT13	5340-99-808-0979	...HINGE, BUTT, steel, brass pin, 1-3/4 in. open w, 18 SWG thk	1/18.38 in.	AR	
NI	A G1	5320-99-138-0327	...RIVET, SOLID, steel, 120 deg csk hd, 1/8 in. x 7/16 in.		8	
NI	A G1	4320-99-120-4789	...RIVET, SOLID, steel, rd hd, 1/8 in. x 3/8 in.		28	
NI	A G1	5320-99-127-6249	...RIVET, SOLID, steel, 120 deg csk hd, 1/8 in. x 3/4 in.		8	
NI	A G1	5320-99-437-4030	...RIVET, BLIND, 3/16 in.		20	



C62/86

Fig 1 Body

FIG ITEM	MAN CODE NAVY - N ARMY - A RAF - R	NATO STOCK NUMBER	ITEM NAME AND DESCRIPTION	PART NO./ DRAWING NO.	NO. OFF	ANNOTATIONS
Fig 1			BODY - contd ..MOUNTINGS - contd ..LOCKER, STOWAGE, VEHICULAR - contd			
NI A	G1	5320-99-941-7260	...RIVET, BLIND, nickel alloy, flat csk hd, 35/64 in. lg		33	
NI A	G1	5320-99-130-2145	...RIVET, BLIND, nickel alloy, universal hd, 0.300 in. lg		52	
NI A	G1	5320-99-127-8747	...RIVET, BLIND, universal hd, 21/32 in. lg		40	
NI A	G1	5320-99-941-7257	...RIVET, BLIND, alloy, csk hd, 11/32 in. lg		12	
NI A	G1	5320-99-642-1236	...RIVET, SOLID, steel, flat csk hd, 1/8 in. x 1/2 in. lg		2	
NI A	G1	5320-99-417-9491	...RIVET, SOLID, steel, round hd, 3/16 in. x 3/8 in. lg		AR	
NI A	6MT13	2590-99-829-2459	..LOCKER, STOWAGE, VEHICULAR	FV754063	1)
NI A	6MT13	5340-99-809-6154	...LOCK, RIM, 'T' handle key, locking, 4 in. lg, 1 in. w, 1h	W1142	1)u/w Flat
NI A	6MT13	2510-99-411-2801	...HINGE, 18 SWG, brass, 1/8 in. dia, pin, closed 3/4 in.	5978	1)Platform
NI A	G1	5310-99-941-1738	...SCREW, MACHINE, UNF, steel, csk hd, zinc coated, No.10 x 1/2 in.		2)rear)under)floor
NI A	G1	5310-99-941-2419	...NUT, PLAIN, HEXAGON, UNF, steel, zinc coated, No.10		2)stowage)locker
NI A	G1	5310-99-944-0457	...WASHER, LOCK, steel, single coil, zinc coated, 3/16 in.		2))
52 A	6MT13	2590-99-808-8993	..RACK, STOWAGE, VEHICULAR, 1 gal, oil can	FV353366	1	
NI A	6MT13	2590-99-808-8994	...SPRING, steel, 4.620 in. lg		1	
NI A	G1	5320-99-120-7022	...RIVET, STEEL, rd hd, 0.180 in. x 0.375		12	
NI A	G1	5320-99-417-9491	...RIVET, SOLID, steel, rd hd, 3/16 in. x 3/8 in. lg		8	
NI A	G1	5320-99-977-3104	...RIVET, SPLIT, copper, oval hd, 3.02 mm x 12.70 mm lg		4	
53 A	6MT13	2540-99-808-8995	..BOX, STOWAGE, VEHICULAR, 2 can, gasoline, military	FV724938	1	
NI A	6MT13	5340-99-809-6308	..SPRING, steel, 7.120 in. lg	FV353388	4	
NI A	G1	5320-99-120-7022	...RIVET, SOLID, steel, rd hd, 0.180 in. x 0.375 in.		8	
54 A	6MT13	2510-99-825-5876	..MUDFLAP, VEHICULAR, rear, 23 in. radius, 29 in. h, 21 in. w; c/w 2 in. vallance	P1924	2	
55 A	6MT13	2540-99-825-5877	..MUDFLAP, rubber, unbeaded 15 in. lg, 20 in. w, 3/16 in.thk	P1925	2	
NI A	W4	3030-99-454-1791	..BELTING, 2-3/4 in. w, 1/4 in.thk		AR	
NI A	G1	5305-99-941-0527	.SCREW, MACHINE, UNF, steel, hex hd, zinc coated, 5/16 in. x 1 in.		4	
NI A	G1	5305-99-941-0541	.SCREW, MACHINE, UNF, steel, hex hd, zinc coated, 3/8 in. x 1 in.		2	
NI A	G1	5305-99-941-0529	.SCREW, MACHINE, UNF, steel, hex hd, zinc coated, 1-1/4 in.		2	
NI A	G1	5305-99-941-0530	.SCREW, MACHINE, UNF, steel, hex hd, zinc coated, 5/16 in. x 1-1/2 in.		4	
NI A	G1	5305-99-941-0531	.SCREW, MACHINE, UNF, steel, hex hd, zinc coated, 5/16 in. x 1-3/4 in.		4	

FIG ITEM	MAN CODE NAVY - N ARMY - A RAF - R	NATO STOCK NUMBER	ITEM NAME AND DESCRIPTION	PART NO./ DRAWING NO.	NO. OFF	ANNOTATIONS	
NI	A	6MT13	2510-99-829-1059	BODY - contd .MUDGUARD, VEHICULAR, steel, 23 in. outer radius, 21 in. w, 29 in. h; w/2 in. valance	HCB123	2	
NI	A	G1	5306-99-941-9081	.BOLT, SQUARE NECK, UNF, steel, button hd, zinc coated, 5/16 in. x 1-1/2 in.		10	
NI	A	G1	5305-99-941-0543	.SCREW, MACHINE, UNF, steel, hex hd, zinc coated, 3/8 in. x 1-1/4 in.		1	
NI	A	G1	5306-99-120-2021	.BOLT, SQUARE NECK, UNF, steel, zinc coated, 5/16 in. x 2 in.		10	
NI	A	G1	5306-99-138-1564	.BOLT, SQUARE NECK, ISO metric, steel, 8 mm x 45 mm lg; c/w nut		10	
NI	A	G1	5306-99-941-0359	.BOLT, MACHINE, UNF, steel, hex hd, zinc coated, 5/8 in. x 2-1/4 in.		32	
NI	A	G1	5305-99-941-0566	.SCREW, MACHINE, UNF, steel, hex hd, zinc coated, 1/2 in. x 1 in.		8	
NI	A	G1	5305-99-941-0555	.SCREW, MACHINE, UNF, steel, hex hd, zinc coated, 7/16 in. x 1 in.		8	
NI	A	G1	5305-99-941-0526	.SCREW, MACHINE, UNF, steel, hex hd, zinc coated, 5/16 in. x 7/8 in.		8	
NI	A	G1	5305-99-941-0525	.SCREW, MACHINE, UNF, steel, hex hd, zinc coated, 5/16 in. x 3/4 in.		16	
NI	A	G1	5306-99-136-2488	.BOLT, SQUARE NECK, UNF, steel, csk hd, zinc coated, 5/16 in. x 1-3/4 in.		40	
NI	A	G1	5310-99-941-9125	.NUT, SELF-LOCKING, HEXAGON, UNF, steel, zinc coated, 5/8 in.		32	
NI	A	G1	5310-99-941-0928	.NUT, PLAIN, HEXAGON, UNF, steel, zinc coated, 1/2 in.		8	
NI	A	G1	5310-99-941-0927	.NUT, PLAIN, HEXAGON, UNF, steel, zinc coated, 7/16 in.		16	
NI	A	G1	5310-99-941-0925	.NUT, PLAIN, HEXAGON, UNF, steel, zinc coated, 5/16 in.		292	
NI	A	G1	5310-99-944-0552	.WASHER, LOCK, steel, single coil, zinc coated, 1/2 in.		8	
NI	A	G1	5310-99-944-0551	.WASHER, LOCK, steel, single coil, zinc coated, 7/16 in.		16	
NI	A	G1	5310-99-944-0549	.WASHER, LOCK, steel, single coil, zinc coated, 5/16 in.		292	
NI	A	G1	5310-99-135-7200	.WASHER, FLAT, steel, zinc coated, 5/16 in. id 1-1/4 in. od		148	
NI	A	G1	5310-99-941-8626	.WASHER, FLAT, steel, zinc coated, 5/8 in.		64	
NI	A	G1	5310-99-136-2487	.WASHER, FLAT, steel, 5/16 in. id 1-1/4 in. od		15	
NI	A	G1	5310-99-941-3525	.NUT, SELF-LOCKING, HEXAGON, UNF, steel, nylon insert, zinc coated, 5/16 in.		2	
NI	A	6MT13	5340-99-806-8626	.HANDLE, BOW, alloy, chromium plated, 2 mtg holes, 3/15 in. dia at 10 in. centres, 12-1/4 in. lg, 2-1/8 in. h	7631-10	2	
NI	A	G1	5305-99-941-6186	.SCREW, MACHINE, UNF, steel, csk hd, 1/4 in. x 3 in.		4	
NI	A	G1	5310-99-941-8576	.WASHER, FLAT, steel, zinc coated, 1/4 in.		4	
NI	A	G1	5310-99-944-0548	.WASHER, LOCK, steel, single coil, zinc coated, 1/4 in.		4	
NI	A	G1	5310-99-804-7941	.NUT, PLAIN, HEXAGON, UNF, steel, zinc coated, 1/4 in.		4	

FIG ITEM	MAN CODE NAVY - N ARMY - A RAF - R	NATO STOCK NUMBER	ITEM NAME AND DESCRIPTION	PART NO./ DRAWING NO.	NO. OFF	ANNOTATIONS
NI	A	6MT13	9905-99-808-8192	BODY - contd .PLATE, IDENTIFICATION	FV130671	1
NI	A	G1	5305-99-915-6114	.SCREW, TAPPING, THREAD FORMING, steel, rd hd, slot drive, No.6 x 1/2 in.		12
NI	A	6MT13	9905-99-811-6516	.REFLECTOR, INDICATING, CLEARANCE, red, 3 plastic reflectors	FV(S)21/5	2
NI	A	Z2	5305-99-946-6393	.SCREW, MACHINE, UNF, steel, pan hd, slot drive, No.10 x 3/4 in.		2
NI	A	Z2	5305-99-913-2395	.SCREW, MACHINE, UNF, steel, pan hd, slot drive, No.10 x 1/2 in.		12
NI	A	G1	5310-99-941-6653	.WASHER, LOCK, steel, single coil, sq section, 3/16 in.		16
NI	A	G1	5310-99-941-2419	.NUT, PLAIN, HEXAGON, UNF, steel, zinc coated, No.10		16
NI	A	6MT3	9905-99-917-5454	.REFLECTOR, INDICATING, CLEARANCE, plastic, rect, 4-1/4 in. lg x 1-3/16 in. w: amber	57184A	2
NI	A	6MT13	9905-99-824-7090	.REFLECTOR, INDICATING, CLEARANCE, 4-1/4 in. lg, 1-13/16 in. w, 1/4 in. thk	57185	2
NI	A	G1	5305-99-915-6114	.SCREW, TAPPING, THREAD FORMING, rd hd, slot drive, No.6 x 1/2 in.		4
NI	A	6MT1	9905-99-816-1172	.SIGN, REFLECTIVE, REAR MARKER, 27-1/2 in. x 5-1/2 in. yellow & red		1 pair
NI	A	6MT1	9905-99-825-5880	.SIGN, MARKER, 18 in. x 8-1/2 in.	P1921	2
NI	A	6MT1	5305-99-137-8477	.SCREW, NUMBER PLATE FIXING, WHIT, rd hd, nylon, yellow, 1/4 in. x 5/8 in.; c/w nut		12
NI	A	G1	5305-99-941-8357	.SCREW, MACHINE, UNF, steel, pan hd, slot drive, cadmium plated, No.10 x 3/4 in.		4
NI	A	G1	5305-99-914-7989	.SCREW, MACHINE, UNF, steel, pan hd, slot drive, cadmium plated, No.10 x 1/2 in.		12
NI	A	G1	5310-99-941-2419	.NUT, PLAIN, HEXAGON, UNF, steel, cadmium plated, No.10		18
NI	A	G1	5310-99-944-0547	.WASHER, LOCK, steel, single coil, zinc coated, 3/16 in.		18
NI	A	G1	5305-99-941-0512	.SCREW, MACHINE, UNF, steel, hex hd, zinc coated, 1/4 in. x 5/8 in.		7
NI	A	G1	5310-99-804-7941	.NUT, PLAIN, HEXAGON, UNF, steel, cadmium plated, 1/4 in.		7
NI	A	G1	5310-99-944-0548	.WASHER, LOCK, steel, single coil, zinc coated, 1/4 in.		7
NI	A	G1	5305-99-941-0526	.SCREW, MACHINE, UNF, steel, hex hd, zinc coated, 5/16 in. x 7/8 in.		6
NI	A	G1	5305-99-941-0513	.SCREW, MACHINE, UNF, steel, hex hd, zinc coated, 1/4 in. x 3/4 in.		4
NI	A	G1	5310-99-941-0925	.NUT, PLAIN, HEXAGON, UNF, steel, zinc coated, 5/16 in.		6
NI	A	G1	5310-99-944-0549	.WASHER, LOCK, steel, single coil, zinc coated, 5/16 in.		6
NI	A	G1	5310-99-945-9071	.WASHER, FLAT, steel, zinc coated, 5/16 in.		6
NI	A	6MT13	2540-99-827-9988	.HOOK, ROPE, steel, 3/4 in. x 3/16 in. half rd, 0.310 in. rad lg, 2.130 in. lg	FV754032	22

FIG ITEM	MAN CODE NAVY - N ARMY - A RAF - R	NATO STOCK NUMBER	ITEM NAME AND DESCRIPTION	PART NO./ DRAWING NO.	NO. OFF	ANNOTATIONS	
NI	A	6MT13	2540-99-828-0587	BODY - contd .MUDDLAP, metal, front rh, 4 holes 1 1/32 in. dia	FV754058	1	
NI	A	6MT13	5340-99-802-5095	.CLEAT, ROPE, MCI or steel, double horn, 3.880 in. lg x 1.190 in. h; w/mtg hole, bulkhead	FV612229	6	
NI	A	6MT13	5340-99-802-5094	.CLEAT, ROPE, CI, single horn, 2.180 in. lg x 1.190 in. h; w/mtg hole, bulkhead	FV612228	7	
NI	A	G1	5305-99-941-0280	.SCREW, MACHINE, UNF, steel, hex hd, zinc coated, 1/4 in. x 1 in.		13)
NI	A	G1	5310-99-120-4032	.WASHER, FLAT, steel, zinc coated, 1/4 in. id x 9/16 in. od x 0.056 in. thk		13))u/w Rope)& cleats
NI	A	G1	5310-99-941-8915	.NUT, SELF-LOCKING, HEXAGON, UNF, steel, cadmium plated, nylon insert, 1/4 in.		13)
NI	A	E3	4030-99-201-9239	.SHACKLE, steel, gal, 2-3/4 in. inside leg, 1-1/8 in. w between eyes		6)
NI	A	6MT13	2590-99-818-4502	.LOCKER, STOWAGE, VEHICULAR, steel, 20 in. x 16-1/2 in. x 15-3/4 in.	FV689543	2)
NI	A	G1	5305-99-941-0525	.SCREW, MACHINE, UNF, steel, hex hd, zinc coated, 5/16 in. x 3/4 in.		8))u/w
NI	A	G1	5310-99-941-6655	.WASHER, LOCK, steel, single coil, sq section, 5/16 in.		8)Stowage
NI	A	G1	5310-99-136-1515	.NUT, PLAIN, HEXAGON, UNF, steel, zinc coated, 5/16 in.		8)lockers
NI	A	6MT13	2540-99-827-9988	.HOOK ROPE, steel, 3/4 in. x 3/16 in. half rd	FV754032	24)
NI	A	6MT13	2590-99-829-2459	.DOOR ACCESS, STOWAGE, steel, 15.130 in. lg x 4.250 in. flap w; c/w hinge and lock, rear under floor centre stowage locker	FV754063	1)
NI	A	6MT1	3251-99-941-2801	..HINGE	5978	1)
NI	A	6MT13	5340-99-809-6154	..LOCK, RIM, 'T', handle key locking mechanism, 4 in. lg x 1 in. w, lh	W1142	1)Securing
NI	A	G1	5305-99-941-1970	..SCREW, MACHINE, UNF, steel, flat csk hd, slot drive, cadmium plated, No.10 x 1/2 in.		2)lock to)flap
NI	A	G1	5310-99-941-6653	..WASHER, LOCK, steel, single coil, sq section, 3/16 in.		2)
NI	A	G1	5310-99-941-2419	..NUT, PLAIN, HEXAGON, UNF, steel, zinc coated, No.10		2)
NI	A	6MT13	2510-99-824-8434	.STRAP, STAPLE, light alloy, 2 mtg holes centres, 2-1/4 in. strap aperture 1-1/4 in. w	1127	2)
NI	A	G1	5305-99-941-1972	.SCREW, MACHINE, UNF, steel, flat csk hd, slot drive, cadmium plated, No.10 x 3/4 in.		4)

FIG ITEM	MAN CODE NAVY - N ARMY - A RAF - R	NATO STOCK NUMBER	ITEM NAME AND DESCRIPTION	PART NO./ DRAWING NO.	NO. OFF	ANNOTATIONS
NI A	6MT1	5340-99-824-8435	BODY - contd .STRAP, WEBBING, nylon, 1 in. w, fixed length, 11 in. adj lg 21 in.; c/w buckle, two hooks and 'D' ring		1	
NI A	6MT13	2540-99-812-9342	.SHACKLE ASSEMBLY, steel; pivot block secured to shackle; w/ 7/16 in. dia bar 2-1/4 in. lg	FV702033	24)
NI A	G1	5315-99-137-7883	.PIN, SPRING, steel, 3/8 in. dia x 1-3/4 in. lg		24) Floor
NI A	G1	5310-99-941-6747	.WASHER, FLAT, steel, cadmium plated, 1 in.		24) lashings
NI A	6MT13	2590-99-829-2460	.COLLAR	FV812133	4)
NI A	6MT13	2590-99-829-2461	.PLATE, BACKING	FV812134	4)
NI A	G1	5305-99-137-8476	.SCREW, MACHINE, UNF, steel, flat csk hd, cross recess drive, cadmium plated, 1/4 in. x 0.900 in.		16)
NI A	G1	5310-99-100.9149	.WASHER, FLAT, steel, cadmium plated, 17/64 in. id x 33/64 in. od x 3/64 in.		16)
NI A	G1	5310-99-941-8915	.NUT, SELF-LOCKING, UNF, zinc coated, nylon insert, 1/4 in.		16)
NI A	G1	5305-99-941-1752	.SCREW, MACHINE, UNF, steel, flat csk hd, slot drive, zinc coated, 1/4 in. x 1 in.		AR)
NI A	G1	5310-99-970-3050	.WASHER, FLAT, cres, cadmium plated, 1/4 in.		AR)
NI A	G1	5310-99-941-8915	.NUT, SELF-LOCKING, UNF, steel, cadmium plated, nylon insert, 1/4 in.		AR)
NI A	G1	5305-99-941-1752	.SCREW, MACHINE, UNF, steel, flat csk hd, slot drive, zinc coated, 1/4 in. x 1 in.		AR)
NI A	G1	5310-99-970-3050	.WASHER, FLAT, cres, cadmium plated, 1/4 in.		AR)
NI A	G1	5310-99-941-8915	.NUT, SELF-LOCKING, UNF, steel, cadmium plated, nylon insert, 1/4 in.		AR)
NI A	G1	5305-99-941-0540	.SCREW, MACHINE, UNF, steel, hex hd, zinc coated, 3/8 in. x 7/8 in.		8)
NI A	G1	5310-99-941-8578	.WASHER, FLAT, steel, zinc coated, 3/8 in.		28)
NI A	G1	5310-99-941-6656	.WASHER, LOCK, steel, single coil, sq section, 3/8 in.		28)
NI A	G1	5305-99-941-0526	.SCREW, MACHINE, UNF, steel, hex hd, zinc coated, 5/16 in. x 7/8 in.		6)
NI A	G1	5310-99-941-8577	.WASHER, FLAT, steel, zinc coated, 5/16 in.		30)
NI A	G1	5310-99-135-7200	.WASHER, FLAT, steel, zinc coated, 5/16 in. id x 1-1/4 in. od x 0.080 in. thk		6)
NI A	6MT13	5340-99-806-8626	.HANDLE, BOW, zinc alloy, chromium plated, 2 mtg holes, 3/16 in. dia at 10 in. centres, 12-1/4 in. lg, 2-1/8 in. clearance h	7631	2)

FIG ITEM	MAN CODE NAVY - N ARMY - A RAF - R	NATO STOCK NUMBER	ITEM NAME AND DESCRIPTION	PART NO./ DRAWING NO.	NO. OFF	ANNOTATIONS
NI	A	G1	5306-99-941-6186	BODY - contd .SCREW, MACHINE, UNF, steel, flat csk hd, slot drive, zinc coated, 1/4 in. x 3 in. lg, thd 3/4 in. lg		
NI	A	G1	5310-99-941-8576	.WASHER, FLAT, steel, zinc coated, 9/32 in. id	4)
NI	A	G1	5310-99-941-6654	.WASHER, LOCK, steel, single coil, sq section, 1/4 in.	4)
NI	A	G1	5310-99-804-7941	.NUT, PLAIN, HEXAGON, UNF, steel, zinc coated, 1/4 in.	4)Grab)Handle
NI	A	6MT13	3254-99-812-9344	.MUDFLAP, steel, straight, 29-5/8 in. lg x 16 in. w x 0.192 in. thk, rear, rh front and rear, rear lh rear	FV689546	3
NI	A	6MT13	2540-99-829-2462	.MUDFLAP, steel, straight, 32.630 in. lg x 16 in. w x 0.048 in. thk; w/5 mtg holes 11/32 in. dia rear lh front	FV754084	1
NI	A	6MT13	2540-99-829-2464	.SUPPORT, MUDFLAP, steel, strap, 2 legs, 30.750 in. lg x 10.260 in. w x 1.250 in. w rear rh front	FV754036	1
NI	A	6MT13	2540-99-829-2463	.SUPPORT, MUDFLAP, steel, strap, 2 legs, 27.750 in. lg x 10.250 in. w x 0.310 in. thk, rear lh front	FV754085	1
NI	A	6MT13	2540-99-829-2465	.SUPPORT, MUDFLAP, steel, strap, 2 legs, 30.750 in. lg x 10.260 in. w x 1.250 in. w, rear lh and rh rear	FV812167	2
NI	A	G1	5305-99-941-0541	.SCREW, MACHINE, UNF, steel, hex hd, zinc coated, 3/8 in. x 1 in.		20
NI	A	G1	5305-99-941-1768	.SCREW, MACHINE, UNF, steel, flat, csk hd, slot drive, zinc coated, 5/16 in. x 1-1/4 in.		8
NI	A	G1	5305-99-941-0524	.SCREW, MACHINE, UNF, steel, hex hd, zinc coated, 5/16 in. x 5/8 in.		26
NI	A	G1	5310-99-944-0550	.WASHER, LOCK, steel, single coil, zinc coated, 3/8 in.		20
NI	A	G1	5310-99-944-0549	.WASHER, LOCK, steel, single coil, zinc coated, 5/16 in.		34
NI	A	G1	5310-99-135-6785	.NUT, PLAIN, HEXAGON, UNF, steel, zinc coated, 3/8 in.		20
NI	A	G1	5310-99-941-0925	.NUT, PLAIN, HEXAGON, UNF, steel, zinc coated, 5/16 in.		34
NI	A	6MT13	2540-99-829-2466	.BRACKET, REAR LAMP, steel, 15.380 in. lg x 5.500 in. w x 5.750 in. h x 0.126 in. thk	FV689544	2
NI	A	G1	5305-99-914-7989	.SCREW, MACHINE, UNF, steel, pan hd, slot drive, cadmium plated, No.10 x 1/2 in.		12
NI	A	6MT13	9905-99-808-8192	.PLATE, IDENTIFICATION	FV130671	1
NI	A	G1	5305-99-915-6114	.SCREW, TAPPING, THREAD FORMING, steel, rd hd, slot drive, dog point, cadmium plated, No.6 x 1/2 in.		2
NI	A	6MT13	5340-99-829-2467	.BRACKET, ANGLE, steel, 90 deg angle, 15 in. w x 0.080 in. thk	FV692491	1
NI	A	6MT13	5340-99-829-2468	.BRACKET, ANGLE, steel, 90 deg angle, 27.500 in. w x 0.080 in. thk, rear marking plate, rh	FV692492	1

FIG ITEM	MAN CODE NAVY - N ARMY - A RAF - R	NATO STOCK NUMBER	ITEM NAME AND DESCRIPTION	PART NO./ DRAWING NO.	NO. OFF	ANNOTATIONS	
NI	A	6MT13	5340-99-829-2469	BODY - contd .BRACKET, ANGLE, steel, 90 deg angle, 27.500 in. w x 0.080 in. thk, rear marking plate, lh	FV692493	1	
NI	A	6MT1	9905-99-816-1172	.SIGN, 700 mm lg x 140 mm w, yellow and red diagonal reflector stripes		1 pair	
NI	A	G1	5305-99-136-2491	.SCREW, NUMBER PLATE FIXING, nylon, 1/4 in. x 5/8 in. yellow		12	
NI	A	G1	5310-99-136-2492	.NUT, PLAIN, HEXAGON, BSF, nylon, 1/4 in. 3/16 in. o/a h		12	
NI	A	6MT3	9905-99-829-2470	.BRACKET ASSEMBLY, REFLECTOR, c/w amber reflector, screws, washers, and nuts	FV830303	2)
NI	A	G1	5305-99-941-0526	..SCREW, MACHINE, UNF, steel, hex hd, zinc coated, 5/16 in. x 7/8 in.		2)Rear side
NI	A	G1	5310-99-944-0549	..WASHER, LOCK, steel, single coil, zinc coated, 5/16 in.		2)tool
NI	A	G1	5310-99-941-0925	..NUT, PLAIN, HEXAGON, UNF, steel, zinc coated, 5/16 in.		2)locker
NI	A	6MT3	9905-99-803-1630	.REFLECTOR, INDICATING, CLEARANCE, plastics, reflex type, rd, 4-1/2 in. dia, 3/4 in. thk, amber	57155	4)
NI	A	G1	5305-99-941-0512	.SCREW, MACHINE, UNF, steel, hex hd, 1/4 in. x 5/8 in. lg		7	
NI	A	G1	5310-99-941-0924	.NUT, PLAIN, HEXAGON, UNF, steel, 1/4 in.		7	
NI	A	G1	5310-99-941-6654	.WASHER, LOCK, steel, 1/4 in. nom id		7	
NI	A	H9	5325-99-942-3432	.GROMMET, RUBBER, 3/8 in. id		1	
NI	A	6MT13	2510-99-829-2472	.PILLAR, FRONT, steel, 29.250 in. lg x 4.380 in. w x 3.500 in. h, lh	FV754070/4	1	
NI	A	6MT13	2510-99-829-2473	.PILLAR, FRONT, steel, 29.250 in. lg x 4.380 in. w x 3.500 in. h, rh	FV754070/3	1	
NI	A	6MT13	2510-99-829-2474	.PILLAR, INTERMEDIATE, steel, 30.750 in. lg x 6.250 in. w x 2.500 in. h	FV754071	2	
NI	A	6MT13	2510-99-829-2475	.PILLAR, REAR, steel, 31.750 in. lg x 5 in. w x 6 in. h; c/w chain, lh	FV754070/1	1	
NI	A	6MT13	2510-99-829-2476	.PILLAR, REAR, steel, 31.750 in. lg x 5 in. w x 6 in. h; c/w chain, rh	FV754070/2	1	
NI	A	6MT13	2510-99-829-2477	.EXTENSION, FRONT BULKHEAD, steel, welded channel, 94.500 in. lg x 2.380 in. w; two legs 29.310 in. lg	FV754067	1	
NI	A	6MT13	2510-99-829-2478	.DROPSIDE ASSEMBLY, steel, panel and hinge bar, 73 in. lg x 26.500 in. h	FV754069	4	
NI	A	6MT13	2510-99-808-7698	..KEY, TAILBOARD	FV833659	8	
NI	A	6MT13	2510-99-829-2479	..CATCH, RETAINING, gunmetal, 2.060 in. lg x 1.440 in. w x 1.120 in. h; two holes 0.530 in. dia	FV754073	8	
NI	A	6MT13	5340-99-820-4481	..BUMPER, RUBBER, black, 2 in. od x 1-3/8 in. h, 1/2 in. dia hole 7/8 in. deep	X4962	8	

FIG ITEM	MAN CODE NAVY - N ARMY - A RAF - R	NATO STOCK NUMBER	ITEM NAME AND DESCRIPTION	PART NO./ DRAWING NO.	NO. OFF	ANNOTATIONS
		NP	BODY - contd .DROPSIDE ASSEMBLY - contd ..PIN, LOCATING	FV159858	8	
NI	A	6MT13 2510-99-829-2480	.TAILBOARD, VEHICLE BODY, steel, panel and hinge bar; c/w fittings 92.750 in. lg x 26.500 in. h	FV754068	1	
NI	A	6MT13 2510-99-808-6750	..HOOK	FV333632	2	
NI	A	6MT13 2510-99-829-2479	..CATCH, RETAINING, gunmetal, 2.060 in. lg x 1.440 in. w x 1.120 in. h; two holes 0.530 in. dia	FV754073 FV833659	2 2	
NI	A	6MT13 2510-99-808-7698	..KEY, TAILBOARD			
NI	A	6MT13 5340-99-829-2481	.BUMPER, RUBBER; c/w bracket, 4.750 in. lg x 5 in. w x 2 in. h	FV754078	2) Tailboard
NI	A	G1 5305-99-941-0513	.SCREW, MACHINE, UNF, steel, hex hd, zinc coated, 1/4 in. x 3/4 in.		4))u/w
NI	A	G1 5310-99-944-0548	.WASHER, LOCK, steel, single coil, zinc coated, 1/4 in.		4)buffer
NI	A	G1 5310-99-941-0924	.NUT, PLAIN, HEXAGON, UNF, steel, zinc coated, 1/4 in.		4)mtg
NI	A	6MT13 2510-99-829-2482	.BUFFER BRACKET, steel, 6.880 in. lg x 2.260 in. w x 1.810 in. h x 0.128 in. thk, rear body sides front rebound bracket	FV830336	2)
NI	A	G1 5305-99-941-0512	.SCREW, MACHINE, UNF, steel, hex hd, zinc coated, 1/4 in. x 5/8 in.		4)
NI	A	G1 5305-99-941-0513	.SCREW, MACHINE, UNF, steel, hex hd, zinc coated, 1/4 in. x 3/4 in.		4)
NI	A	G1 5305-99-941-1750	.SCREW, MACHINE, UNF, steel, flat csk hd, zinc coated, 1/4 in. x 3/4 in.		4)u/w)buffer)stop)bracket
NI	A	G1 5310-99-944-0548	.WASHER, LOCK, steel, single coil, zinc coated, 1/4 in.		16)
NI	A	G1 5310-99-941-0924	.NUT, PLAIN, HEXAGON, UNF, steel, zinc coated, 1/4 in.		16)
NI	A	6MT13 2510-99-829-2483	.HINGE HOOK, body platform sides	FV754066	20	
NI	A	G1 5305-99-941-0540	.SCREW, MACHINE, UNF, steel, hex hd, zinc coated, 3/8 in. x 7/8 in.		40	
NI	A	G1 5310-99-944-0550	.WASHER, LOCK, steel, single coil zinc coated, 3/8 in.		40	
NI	A	G1 5310-99-941-0926	.NUT, PLAIN, HEXAGON, UNF, steel, zinc coated, 3/8 in.		40	
NI	A	6MT13 2510-99-829-2484	.BRACKET, STOP, steel, 10.190 in. lg x 2.260 in. w x 1.810 in. h x 0.128 in. thk, front body sides rear rebound bracket	FV754076	2	
NI	A	G1 5305-99-941-0512	.SCREW, MACHINE, UNF, steel, hex hd, zinc coated, 1/4 in. x 5/8 in.		3	
NI	A	G1 5305-99-941-0513	.SCREW, MACHINE, UNF, steel, hex hd, zinc coated, 1/4 in. x 3/4 in.		1	

FIG ITEM	MAN CODE NAVY - N ARMY - A RAF - R	NATO STOCK NUMBER	ITEM NAME AND DESCRIPTION	PART NO./ DRAWING NO.	NO. OFF	ANNOTATIONS
NI	A	G1	5305-99-941-1750	FV754077	1) u/w buffer stop bracket)
			BODY - contd			
NI	A	G1	5310-99-944-0548		5	
NI	A	G1	5310-99-941-0924		5	
NI	A	6MT13	2510-99-829-2485		5	
NI	A	G1	5305-99-941-0512		10	
NI	A	G1	5310-99-944-0548		10	
NI	A	G1	5310-99-941-0924		10	
NI	A	G1	5306-99-941-0312		6	
NI	A	G1	5306-99-941-0319		12	
NI	A	G1	5305-99-941-0540		85	
NI	A	G1	5306-99-941-0313		12	
NI	A	G1	5305-99-941-0512		22	
NI	A	G1	5305-99-941-0513		8	
NI	A	G1	5305-99-941-1750		4	
NI	A	G1	5305-99-941-0526		6	
NI	A	G1	5305-99-941-1764		5	
NI	A	G1	5310-99-135-6785		115	
NI	A	G1	5310-99-804-7941		34	
NI	A	G1	5310-99-136-1515		11	
NI	A	G1	5310-99-941-6656	115		
NI	A	G1	5310-99-941-6654	34		
NI	A	G1	5310-99-941-6655	11		

FIG ITEM	MAN CODE NAVY - N ARMY - A RAF - R	NATO STOCK NUMBER	ITEM NAME AND DESCRIPTION	PART NO./ DRAWING NO.	NO. OFF	ANNOTATIONS	
NI	A	6MT13	2510-99-749-9825	BODY - contd .JERRYCAN CARRIER, steel, 18-13/16 in. lg x 14-9/16 in. w x 14-3/4 in. h	FV724938	1)
NI	A	6MT13	2590-99-818-4502	.LOCKER, STOWAGE, VEHICULAR, steel	FV689543	2)
NI	A	6MT13	2540-99-812-9344	.MUDFLAP, straight metal type, 29-3/8 in. lg, 16 in. w : Front LH	FV689546	1)
NI	A	6MT13	2540-99-812-9345	.MUDFLAP, straight, metal type, 29-3/8 in. lg, 16 in. w : Front RH	FV689547	1)
NI	A	6MT13	2540-99-812-9346	.MUDFLAP, straight, metal type, 33-5/8 in. lg, 16 in. w : Rear LH	FV689548	1)
NI	A	6MT13	2540-99-812-9347	.MUDFLAP, straight, metal type, 33-5/8 in. lg, 16 in. w : Rear RH	FV689549	1)
NI		NP	.STAY, FRONT LH	FV689550	1)	
NI		NP	.STAY, FRONT RH	FV698301	2)	
NI		NP	.STAY REAR	FV698302	4) Contract	
NI		NP	.RETAINING BRACKET	FV689534	2) 35	
NI		NP	.MOUNTING BRACKET	FV692497	1) FFR LHD	
NI		NP	.MOUNTING BRACKET	FV692496	1)	
NI	A	G1	5305-99-941-0525	.SCREW, MACHINE, UNF, steel, hex hd, 5/16 in. x 3/4 in. lg		34)
NI	A	G1	5305-99-941-0526	.SCREW, MACHINE, UNF, steel, hex hd, 5/16 in. x 7/8 in. lg		44)
NI	A	G1	5305-99-941-0529	.SCREW, MACHINE, UNF, steel, hex hd, 5/16 in. x 1-1/4 in. lg		3)
NI	A	G1	5306-99-941-0359	.BOLT, MACHINE, UNF, steel, hex hd, 5/8 in. x 2-1/4 in. lg		10)
NI	A	G1	5310-99-941-0925	.NUT, PLAIN, HEXAGON, steel, 5/16 in. UNF		103)
NI	A	G1	5310-99-924-2575	.NUT, SELF-LOCKING, HEXAGON, UNF, 5/8 in.		10)
NI	A	G1	5310-99-941-6645	.WASHER, LOCK, steel, split helical ring, 5/16 in. nom id		103)
NI	A	G1	5310-99-941-8623	.WASHER, FLAT, steel, rd, 5/16 in. nom id		17)

ANNEX 'A'

Cross Reference List for the TRUCK, 4 TONNE, BEDFORD MJ - ALL VARIANTS

I T E M N O	Mfr Part Number	Catalogue Number	Item Name	Remarks
1	104197	G1/5320-99-433-5249	RIVET, SOLID	
2	104920	6MT7/3110-99-950-0573	BALL, BEARING	
3	106266	6MT7/5310-99-134-2512	WASHER, FLAT	
4	106749	G1/5315-99-943-5951	KEY, WOODRUFF	
5	106750	6MT1/5315-99-943-5954	KEY, WOODRUFF	
6	113186	7BD/ 4730-99-802-3314	PLUG, PIPE	
7	114628	7BD/4730-99-833-2453	SLEEVE, COMPRESSION, PIPE- HOSE FITTING	
8	114630	7BD/4730-99-832-5603	NUT, UNION, PIPE	
9	114631	6MT1/4730-99-833-2205	SLEEVE, COMPRESSION, PIPE- HOSE FITTING	
10	115058	7BD/4730-99-832-2208	DOUBLE-ENDED UNION, PIPE, MALE	
11	115308	7BD/5310-00-011-5308	WASHER, FLAT	
12	115544	G1/5310-99-434-9381	WASHER, LOCK	
13	115658	G1/5305-99-121-6803	SCREW, CAP, HEXAGON HEAD	
14	116030	7BD/5340-99-809-7216	CLAMP, LOOP	
15	117957	6MT1/5325-99-895-4298	GROMMET	
16	117974	H9/5325-99-942-3422	GROMMET, RUBBER	
17	118801	7BD/4730-99-895-9245	DOUBLE-ENDED UNION, PIPE, MALE	
18	118806	7BD/4730-99-874-0701	TEE, PIPE	
19	118811	7BD/4730-99-874-0702	ELBOW, PIPE	
20	119282	6MT7/3110-99-950-0572	BALL, BEARING	
21	120130	7BD/4730-99-874-0703	SLEEVE, COMPRESSION, PIPE- HOSE FITTING	
22	120213	G1/5305-99-941-0526	SCREW, CAP, HEXAGON HEAD	
23	120214	G1/5310-99-941-6655	WASHER, LOCK	
24	120228	G1/5305-99-941-0699	SCREW, CAP, HEXAGON HEAD	
25	120229	G1/5306-99-762-1669	BOLT, MACHINE	
26	120233	G1/5305-99-941-0714	SCREW, CAP, HEXAGON HEAD	
27	120234	G1/5305-99-941-0569	SCREW, CAP, HEXAGON HEAD	
28	120235	G1/5306-99-941-0212	BOLT, MACHINE	
29	120367	G1/5310-99-804-7941	NUT, PLAIN, HEXAGON	
30	120368	G1/5310-99-941-0945	NUT, PLAIN, HEXAGON	
31	120369	7BD/5310-99-818-6156	NUT, PLAIN, HEXAGON	
32	120371	G1/5310-99-941-0928	NUT, PLAIN, HEXAGON	
33	120375	G1/5310-99-120-9316	NUT, PLAIN, HEXAGON	
34	120376	G1/5310-99-127-8653	NUT, PLAIN, HEXAGON	
35	120377	G1/5310-99-136-4286	NUT, PLAIN, HEXAGON	
36	120380	G1/5310-99-941-6654	WASHER, LOCK	
37	120382	G1/5310-99-120-2304	WASHER, LOCK	
38	120383	G1/5310-99-941-6657	WASHER, LOCK	
39	120384	G1/5310-99-941-6658	WASHER, LOCK	
40	120385	G1/5310-99-120-4032	WASHER, FLAT	
41	120386	G1/5310-99-120-8327	WASHER, FLAT	
42	120389	G1/5310-99-941-8610	WASHER, FLAT	

I T E M N O	Mfr Part Number	Catalogue Number	Item Name	Remarks
43	120391	G1/5310-99-941-6866	WASHER, FLAT	
44	120392	G1/5310-99-101-7838	WASHER, FLAT	
45	120393	G1/5310-99-941-8623	WASHER, FLAT	
46	120394	G1/5310-99-941-8635	WASHER, FLAT	
47	120395	G1/5310-99-941-8636	WASHER, FLAT	
48	120396	G1/5310-99-943-7114	WASHER, FLAT	
49	120423	G1/5310-99-943-8479	WASHER, LOCK	
50	120424	G1/5305-99-941-0568	SCREW, CAP, HEXAGON HEAD	
51	120426	G1/5305-99-941-0739	SCREW, CAP, HEXAGON HEAD	
52	120487	7BD/4730-99-833-0234	NUT, UNION, PIPE	
53	120488	6MT1/4730-99-807-9024	SLEEVE, COMPRESSION, PIPE- HOSE FITTING	
54	120520	7BD/5340-99-814-9960	CLIP, PIPE	
55	120521	7BD/5340-00-282-7542	CLAMP, LOOP	
56	120522	7BD/5340-99-816-7136	CLIP, CLOSED, TUBING	
57	120523	7BD/5340-99-814-7945	CLIP, PIPE	
58	120525	7BD/5340-99-736-3164	CLAMP, LOOP	
59	120526	7BD/5340-99-750-5968	CLAMP, LOOP	
60	120527	7BD/5340-99-814-8367	CLIP, PIPE	
61	120528	7BD/5340-99-750-5969	CLAMP, LOOP	
62	120622	G1/5310-99-945-8432	NUT, PLAIN, HEXAGON	
63	120640	G1/5306-99-941-0317	BOLT, MACHINE	
64	120647	G1/5305-99-941-0541	SCREW, CAP, HEXAGON HEAD	
65	120668	G1/5306-99-941-0970	BOLT, MACHINE	
66	120677	G1/5306-99-941-0315	BOLT, MACHINE	
67	120690	7BD/5315-99-824-8891	PIN, STRAIGHT, HEADED	
68	120696	7BD/5306-00-012-0696	BOLT, MACHINE	
69	120706	G1/5306-99-941-0685	BOLT, MACHINE	
70	120741	G1/5305-99-941-0525	SCREW, CAP, HEXAGON HEAD	
71	120758	G1/5305-99-941-0540	SCREW, CAP, HEXAGON HEAD	
72	120834	G1/5305-99-941-0696	SCREW, CAP, HEXAGON HEAD	
73	120854	G1/5305-99-941-0686	SCREW, CAP, HEXAGON HEAD	
74	120898	G1/5310-99-941-6659	WASHER, LOCK	
75	120919	G1/5306-99-941-0329	BOLT, MACHINE	
76	121222	G1/5315-99-942-0426	PIN, COTTER, SPLIT	
77	121358	G1/5310-99-136-1513	NUT, PLAIN, HEXAGON	
78	121370	7BD/4730-99-833-0238	ADAPTOR, ELBOW, PIPE	
79	121458	G1/5310-99-941-8638	WASHER, FLAT	
80	121574	G1/5310-99-941-6660	WASHER, LOCK	
81	121615	G1/5305-99-941-0543	SCREW, CAP, HEXAGON HEAD	
82	121661	G1/5305-99-941-0527	SCREW, CAP, HEXAGON HEAD	
83	121711	ORD/4730-00-270-4619	ADAPTOR, STRAIGHT, PIPE TO HOSE	
84	121716	G1/5305-99-941-2321	SCREW, MACHINE	
85	121783	G1/5306-99-941-0301	BOLT, MACHINE	
86	121797	G1/5315-99-941-6480	SCREW, CAP, HEXAGON HEAD	
87	121801	G1/5310-99-100-9786	WASHER, LOCK	

I T E M N O	Mfr Part Number	Catalogue Number	Item Name	Remarks
88	121804	G1/5305-99-941-6481	SCREW, CAP, HEXAGON HEAD	
89	121852	G1/5305-99-941-0710	SCREW, CAP, HEXAGON HEAD	
90	121867	G1/5305-99-121-6559	SCREW, CAP, HEXAGON HEAD	
91	121887	G1/5305-99-941-0687	SCREW, CAP, HEXAGON HEAD	
92	121900	G1/5305-99-941-0689	SCREW, CAP, HEXAGON HEAD	
93	121906	G1/5306-99-941-1520	BOLT, MACHINE	
94	121926	G1/5305-00-012-1926	SCREW, CAP, HEXAGON HEAD	
95	121940	G1/5306-99-941-1524	BOLT, MACHINE	
96	121986	G1/5305-99-121-6803	SCREW, CAP, HEXAGON HEAD	
97	122007	G1/5305-99-941-0698	SCREW, CAP, HEXAGON HEAD	
98	122017	G1/5305-99-941-0700	SCREW, CAP, HEXAGON HEAD	
99	122022	G1/5305-99-941-0701	SCREW, CAP, HEXAGON HEAD	
100	122027	G1/5305-99-941-0702	SCREW, CAP, HEXAGON HEAD	
101	122033	G1/5306-99-941-1537	BOLT, MACHINE	
102	122045	G1/5306-99-941-9434	BOLT, MACHINE	
103	122065	G1/5306-99-941-1540	BOLT, MACHINE	
104	122089	G1/5306-99-941-1544	BOLT, MACHINE	
105	122104	G1/5306-99-941-0711	BOLT, MACHINE	
106	122119	G1/5306-99-941-0712	BOLT, MACHINE	
107	122126	G1/5305-99-941-0713	SCREW, CAP, HEXAGON HEAD	
108	122138	G1/5305-99-941-0715	SCREW, CAP, HEXAGON HEAD	
109	122145	ORD/5305-00-269-3213	SCREW, CAP, HEXAGON HEAD	
110	122150	G1/5306-99-941-1551	BOLT, MACHINE	
111	122174	G1/ 5306-99-920-6771	BOLT, MACHINE	
112	122194	G1/5306-99-941-1556	BOLT, MACHINE	
113	122253	G1/5305-99-941-0727	SCREW, CAP, HEXAGON HEAD	
114	122267	G1/5305-99-941-1565	SCREW, CAP, HEXAGON HEAD	
115	122293	G1/5306-99-941-1568	BOLT, MACHINE	
116	122401	G1/5305-99-941-0737	SCREW, CAP, HEXAGON HEAD	
117	122408	G1/5305-99-941-1219	SCREW, CAP, HEXAGON HEAD	
118	122415	G1/5305-99-941-8715	SCREW, CAP, HEXAGON HEAD	
119	122427	G1/5305-99-941-1579	SCREW, CAP, HEXAGON HEAD	
120	122433	G1/5305-99-941-0740	SCREW, CAP, HEXAGON HEAD	
121	122446	G1/5306-99-941-1581	BOLT, MACHINE	
122	123291	G1/5305-99-951-2083	SCREW, MACHINE	
123	123300	G1/5305-99-941-0510	SCREW, CAP, HEXAGON HEAD	
124	123316	G1/5305-99-941-0511	SCREW, MACHINE	
125	123350	G1/5306-99-941-0523	BOLT, MACHINE	
126	123382	G1/5305-99-941-0537	SCREW, CAP, HEXAGON HEAD	
127	123435	G1/5305-99-941-0512	SCREW, CAP, HEXAGON HEAD	
128	123450	G1/5305-99-941-0513	SCREW, CAP, HEXAGON HEAD	
129	123456	G1/5306-99-941-1069	BOLT, MACHINE	
130	123461	G1/5305-99-941-0280	SCREW, CAP, HEXAGON HEAD	
131	123467	G1/5306-99-941-0281	BOLT, MACHINE	
132	123473	G1/ 5306-99-941-0524	BOLT, MACHINE	
133	123499	G1/5306-99-941-0522	BOLT, MACHINE	
134	123505	G1/5305-99-941-0538	SCREW, CAP, HEXAGON HEAD	

I T E M N O	Mfr Part Number	Catalogue Number	Item Name	Remarks
135	123520	G1/5305-99-941-0539	SCREW, CAP, HEXAGON HEAD	
136	123534	G1/5305-99-941-0542	SCREW, CAP, HEXAGON HEAD	
137	123561	G1/5305-99-941-0554	SCREW, CAP, HEXAGON HEAD	
138	123567	G1/5305-99-941-0555	SCREW, CAP, HEXAGON HEAD	
139	123572	G1/5305-99-941-0556	SCREW, CAP, HEXAGON HEAD	
140	123605	G1/5305-99-941-0566	SCREW, CAP, HEXAGON HEAD	
141	123611	G1/ 5305-99-941-0567	SCREW, CAP, HEXAGON HEAD	
142	123650	G1/5305-99-138-3946	SCREW, CAP, HEXAGON HEAD	
143	123737	G1/5306-99-941-0282	BOLT, MACHINE	
144	123743	G1/5306-99-941-0283	BOLT, MACHINE	
145	123749	G1/5306-99-941-0284	BOLT, MACHINE	
146	123756	G1/5306-99-900-7574	BOLT, MACHINE	
147	123762	G1/5306-99-941-0285	BOLT, MACHINE	
148	123774	G1/5306-99-941-0529	BOLT, MACHINE	
149	123780	G1/5306-99-941-0298	BOLT, MACHINE	
150	123785	G1/5306-99-941-0299	BOLT, MACHINE	
151	123792	G1/5306-99-121-6564	BOLT, MACHINE	
152	123798	G1/5306-99-941-0300	BOLT, MACHINE	
153	123814	G1/5306-99-941-0312	BOLT, MACHINE	
154	123817	G1/5305-99-941-9049	SCREW, CAP, HEXAGON HEAD	
155	123825	G1/5306-99-139-7943	BOLT, MACHINE	
156	123835	G1/5306-99-941-6599	BOLT, MACHINE	
157	123841	G1/5305-99-941-0557	SCREW, CAP, HEXAGON HEAD	
158	123846	G1/5305-99-941-7905	SCREW, CAP, HEXAGON HEAD	
159	123852	G1/5305-99-941-0558	SCREW, CAP, HEXAGON HEAD	
160	123879	7FW/ 5306-99-137-1463	BOLT, MACHINE	
161	124053	G1/5306-99-941-0286	BOLT, MACHINE	
162	124070	G1/5306-99-941-0289	BOLT, MACHINE	
163	124076	G1/5306-99-941-0290	BOLT, MACHINE	
164	124088	G1/5306-99-941-0302	BOLT, MACHINE	
165	124094	G1/5306-99-941-0303	BOLT, MACHINE	
166	124133	G1/5306-99-941-0330	BOLT, MACHINE	
167	124139	G1/5306-99-941-0331	BOLT, MACHINE	
168	124174	7BD/5306-99-819-1491	BOLT, MACHINE	
169	124549	6MT1/5315-99-943-5957	KEY, WOODRUFF	
170	124634	G1/5310-99-136-1519	NUT, PLAIN, HEXAGON	
171	124920	G1/5310-99-941-0903	NUT, PLAIN, HEXAGON	
172	124925	G1/5310-99-136-1527	NUT, PLAIN, HEXAGON	
173	124934	G1/5310-99-120-7678	NUT, PLAIN, HEXAGON	
174	124939	G1/5310-99-941-0907	NUT, PLAIN, HEXAGON	
175	124944	G1/5310-99-941-6094	NUT, PLAIN, HEXAGON	
176	125112	G1/5310-99-136-4310	NUT, SLOTTED, HEXAGON	
177	125224	G1/5310-99-941-0881	NUT, SLOTTED, HEXAGON	
178	125250	G1 5310-99-809-0231	NUT, SLOTTED, HEXAGON	
179	125681	7BD/5305-99-802-1621	SCREW, MACHINE	
180	125683	G1/5306-99-941-8015	BOLT, MACHINE	
181	125774	G1/5310-99-120-7679	WASHER, LOCK	

I T E M N O	Mfr Part Number	Catalogue Number	Item Name	Remarks
182	125921	7BD/5340-99-814-8368	CLIP, PIPE	
183	125941	G1/5306-99-941-1545	BOLT, MACHINE	
184	125973	G1/5306-99-941-1560	BOLT, MACHINE	
185	126078	G1/5306-99-941-1545	BOLT, MACHINE	
186	127559	6MT1/5315-99-816-6236	KEY, WOODRUFF	
187	127739	G1/5305-99-941-1804	SCREW, MACHINE	
188	127879	7BD/5340-99-814-8372	CLIP, PIPE	
189	127968	G1/5306-99-941-0321	BOLT, MACHINE	
190	128281	7BD/5340-99-527-9517	CLAMP, LOOP	
191	131000	G1/5310-99-120-9082	WASHER, FLAT	
192	131016	G1/5310-99-941-8626	WASHER, FLAT	
193	131047	G1/5310-99-944-0573	WASHER, LOCK	
194	131048	G1/5310-99-941-6663	WASHER, LOCK	
195	131099	G1/5310-99-135-2066	WASHER, LOCK	
196	131139	G1/5310-99-136-5721	WASHER, LOCK	
197	131395	G1/5310-99-122-4413	NUT, PLAIN, HEXAGON	
198	132259	G1/5305-99-941-9008	SCREW, MACHINE	
199	132264	G1/5305-99-941-9009	SCREW, MACHINE	
200	132268	G1/5305-99-941-9273	SCREW, MACHINE	
201	132282	G1/5305-99-941-9011	SCREW, MACHINE	
202	132286	G1/5305-99-941-2354	SCREW, MACHINE	
203	132295	G1/5305-99-941-9097	SCREW, MACHINE	
204	134524	G1/5310-99-941-2405	NUT, PLAIN, HEXAGON	
205	135629	G1/5310-00-013-5629	WASHER, LOCK	
206	137141	G1/5315-99-915-6372	PIN, COTTER, SPLIT	
207	137150	G1/5315-99-944-0175	PIN, COTTER, SPLIT	
208	137159	G1/5315-99-138-2205	PIN, COTTER, SPLIT	
209	138478	7BD/5315-99-811-7147	PIN, STRAIGHT, HEADED	
210	138542	G1/5310-99-419-8882	WASHER, LOCK	
211	138549	G1/5310-99-912-9584	WASHER, LOCK	
212	138561	G1/5310-99-417-9308	WASHER, LOCK	
213	138566	G1/5310-99-434-9311	WASHER, LOCK	
214	138600	7BD/5310-99-814-0129	WASHER, LOCK	
215	138604	G1/5310-99-134-3660	WASHER, LOCK	
216	141195	G1/5315-99-971-7185	PIN, STRAIGHT, HEADLESS	
217	141197	7BD/5315-99-832-5610	PIN, STRAIGHT, HEADLESS	
218	141215	7BD/5315-99-832-5611	PIN, STRAIGHT, HEADLESS	
219	141217	7BD/5315-99-832-5612	PIN, STRAIGHT, HEADLESS	
220	141238	7BD/5315-99-816-6237	PIN, STRAIGHT, HEADLESS	
221	141241	7BD/5315-99-773-5689	PIN, STRAIGHT, HEADLESS	
222	141260	7BD/5315-99-819-1681	PIN, STRAIGHT, HEADLESS	
223	141263	7BD/5315-99-773-3062	PIN, STRAIGHT, HEADLESS	
224	142435	7BD/4730-99-811-4754	INVERTED NUT, UNION PIPE	
225	142601	G1/5306-99-137-6118	BOLT, MACHINE	
226	144014	7BD/4730-00-092-8958	PLUG, PIPE	
227	144226	6MT1/5325-99-827-0579	GROMMET, RUBBER	
228	147579	G1/5310-99-120-4032	WASHER, FLAT	

I T E M N O	Mfr Part Number	Catalogue Number	Item Name	Remarks
229	147762	G1/5305-99-941-1961	SCREW, MACHINE	
230	156623	G1/5305-99-135-5590	SCREW, MACHINE	
231	156779	G1/5305-99-941-1962	SCREW, MACHINE	
232	157125	7BD/5305-99-128-2985	SCREW, MACHINE	
233	159920	G1/5305-99-999-7678	SCREW, MACHINE	
234	160041	G1/5305-99-947-3272	SCREW, MACHINE	
235	160046	G1/5305-99-914-7989	SCREW, MACHINE	
236	160069	G1/5305-99-101-2185	SCREW, MACHINE	
237	161419	G1/5305-99-135-2335	SCREW, TAPPING, THREAD FORMING	
238	161895	G1/5305-99-941-8363	SCREW, TAPPING, THREAD FORMING	
239	162496	G1/5305-99-137-9646	SCREW, TAPPING, THREAD CUTTING	
240	163318	G1/5305-99-137-2812	SCREW, TAPPING, THREAD FORMING	
241	167163	G1/5305-99-136-6313	SCREW, TAPPING, THREAD CUTTING	
242	167712	G1/5305-99-824-2134	SCREW, TAPPING, THREAD CUTTING	
243	171654	G1/ 5305-99-901-9736	SCREW, TAPPING, THREAD FORMING	
244	172439	G1/5305-99-137-0589	SCREW, TAPPING, THREAD CUTTING	
245	172441	G1/5305-99-941-0512	SCREW, CAP, HEXAGON HEAD	
246	172443	G1/ 5305-99-137-1103	SCREW, TAPPING, THREAD CUTTING	
247	172468	G1/5305-99-136-9303	SCREW, TAPPING, THREAD CUTTING	
248	172470	G1/5305-99-137-1957	SCREW, TAPPING, THREAD CUTTING	
249	173063	G1/5306-99-941-1546	BOLT, MACHINE	
250	173127	G1/5310-00-017-3127	WASHER, LOCK	
251	178429	G1/5306-99-941-1547	BOLT, MACHINE	
252	179149	7BD/5340-99-725-8761	CLAMP, LOOP	
253	179817	8RET/5306-00-685-8363	BOLT, MACHINE	
254	180519	7BD/5310-99-825-4119	WASHER, LOCK	
255	186482	G1/5305-99-941-1980	SCREW, MACHINE	
256	189119	G1/5305-99-138-2181	SCREW, TAPPING, THREAD FORMING	
257	190120	7BD/4730-99-809-0834	NUT, UNION, PIPE	
258	190862	7BD/5310-99-978-2440	NUT	
259	190863	7BD/4730-99-811-6671	NUT, UNION, PIPE	
260	190866	7BD/4730-99-832-6634	INVERTED NUT, UNION, PIPE	
261	190868	7BD/4730-99-809-0832	NUT, UNION, PIPE	
262	191079	7BD/4730-99-830-8049	ADAPTOR, STRAIGHT, PIPE	
263	191267	7BD/4730-99-808-1429	NUT, UNION	

I T E M N O	Mfr Part Number	Catalogue Number	Item Name	Remarks
264	191270	7BD/4730-99-802-6989	NUT, UNION, PIPE	
265	191274	7BD/5310-99-978-2439	NUT	
266	191275	7BD/4730-99-814-7946	NUT, UNION, PIPE	
267	191397	7BD 4730-99-833-0246	INVERTED NUT, UNION, PIPE	
268	191406	7BD/4730-99-833-2215	DOUBLE-ENDED UNION, PIPE, MALE	
269	191431	7BD/4730-99-802-8707	DOUBLE-ENDED UNION, PIPE, MALE	
270	191586	7BD/4730-99-830-8865	DOUBLE-ENDED UNION, PIPE, MALE	
271	191931	7BD/5305-99-839-5772	SCREW, MACHINE	
272	192107	7BD/5340-99-820-2672	CLAMP, TUBING	
273	192108	7BD/5340-99-781-3722	CLAMP, LOOP	
274	192137	EQPT/4730-99-811-0746	ADAPTOR, ELBOW, PIPE	
275	192155	7BD/4730-99-810-1922	ADAPTOR, TEE, PIPE	
276	192163	7BD/4730-99-820-2285	SLEEVE, COMPRESSION, PIPE- HOSE FITTING	
277	192164	7BD/4730-99-137-7664	NUT, UNION, PIPE	
278	220089	G1/5310-99-941-1667	NUT, PLAIN, HEXAGON	
279	220593	G1/5306-99-241-0291	BOLT, MACHINE	
280	271501	G1/5310-99-120-9317	NUT, PLAIN, HEXAGON	
281	271506	G1/5310-99-136-1517	NUT, PLAIN, HEXAGON	
282	272073	G1/5310-99-136-4296	NUT, SLOTTED, HEXAGON	
283	272123	G1/5310-99-136-1528	NUT, PLAIN, HEXAGON	
284	273201	G1/5310-99-941-0911	NUT, SELF-LOCKING, HEXAGON	
285	344691	7BD/5365-99-812-9288	PLUG, SCREWED	
286	345423	7BD/5315-99-832-5617	PIN, STRAIGHT, HEADLESS	
287	346331	7BD/2930-99-833-3006	SPRING, HELICAL, COMPRESSION	
288	346714	7BD/5310-99-895-2470	NUT, PLAIN, HEXAGON	
289	355827	7BD/5310-99-833-0248	NUT, PLAIN, HEXAGON	
290	357899	7BD/2910-99-833-2216	NUT, SPECIAL, CHOKE CASING	
291	420635	G1/5310-99-941-2127	SCREW, MACHINE	
292	426099	G1/5306-99-941-0937	BOLT, MACHINE	
293	426370	G1/5305-99-756-6567	SCREW, SOCKET HEAD	
294	426898	G1/5310-99-941-8258	NUT, PLAIN, HEXAGON	
295	427032	7BD/5340-99-814-8355	CLAMP, LOOP	
296	427298	7BD/5310-99-809-5406	NUT, PLAIN, HEXAGON	
297	428247	7SL/5306-99-138-1955	BOLT, MACHINE	
298	428739	G1/5306-99-941-0361	BOLT, MACHINE	
299	428742	G1/5306-99-941-0362	BOLT, MACHINE	
300	428745	G1/5306-99-941-0363	BOLT, MACHINE	
301	428805	G1/5305-99-941-0597	SCREW, CAP, HEXAGON HEAD	
302	431942	G1/5305-99-120-7351	SCREW, MACHINE	
303	433494	G1/5306-99-941-0368	BOLT, MACHINE	
304	437876	7BD/5305-99-774-1614	SCREW	
305	442139	7BD/5310-99-874-0705	SLEEVE	

ITEM NO	Mfr Part Number	Catalogue Number	Item Name	Remarks
306	442140	7BD/4730-99-874-0706	INVERTED, NUT, UNION, PIPE	
307	442142	7BD/4730-99-874-0707	INVERTED, NUT, UNION, PIPE	
308	443560	7BD/5305-99-135-6542	SCREW, MACHINE	
309	443874	G1/5305-99-120-7351	SCREW, MACHINE	
310	444035	7BD/4730-99-751-4000	ADAPTOR, PIPE	
311	444618	8REBY/2520-99-814-8689	PLUG, THREADED	
312	444619	7BD/4730-99-814-8366	PLUG, PIPE	
313	444688	7BD/4730-99-821-8644	PLUG, PIPE	
314	444698	6MT1/4730-99-827-8028	PLUG, PIPE	
315	444704	7BD/4730-00-555-8292	PLUG, PIPE	
316	444710	7BD/4730-99-819-2135	PLUG, PIPE	
317	444715	6MT10/4730-99-809-7226	PLUG, PIPE	
318	444872	7BD/4730-99-774-1622	PLUG, PIPE	
319	446161	G1/5310-99-941-8568	WASHER, FLAT	
320	446354	G1/5310-99-970-3202	WASHER, FLAT	
321	451923	G1/5306-99-139-6588	BOLT, MACHINE	
322	453675	G1/5315-99-803-4387	PIN, SPRING	
323	455394	G1/5306-99-941-0370	BOLT, MACHINE	
324	456692	7BD/5315-99-832-4331	PIN, SPRING	
325	456956	G1/5306/99-138-1250	BOLT, MACHINE	
326	551946	7BD/2530-99-832-7523	SPRING, HELICAL, COMPRESSION	
327	590509	7BD/2520-99-832-5646	COVER, POWER TAKEOFF, GEARBOX	
328	835830	7BD/2805-99-895-2434	POINTER, DIAL	
329	836334	7BD/5306-99-833-0258	BOLT, MACHINE	
330	836416	7BD/5365-99-832-5654	RING, RETAINING	
331	850627	6MT1/2540-99-881-3781	CAP, FILLER OPENING	
332	1005220	6MT10/5340-99-400-3124	CAP, PROTECTIVE, DUST AND MOISTURE SEAL	
333	1008216	7BD/5340-99-825-3410	CLIP, SPECIAL	
334	1009183	6MT4/5360-99-803-7798	SPRING, HELICAL, COMPRESSION	
335	1010078	6MT12/5305-99-807-4276	SCREW, SET	
336	1010079	6MT12/5310-99-807-4309	WASHER, FLAT	
337	1010310	7BD/2530-99-832-7532	WASHER, SPECIAL, MPP	
338	1010452	7BD/5330-99-833-2713	RING, SEALING, TOROIDAL	
339	1011078	6MT7/3110-99-819-5161	BEARING, BALL, JOURNAL	
340	1013527	G1/5305-99-128-9436	SCREW, DRIVE	
341	1014378	7BD/4730-99-832-5666	PLUG, PIPE	
342	1016860	6MT12/5305-99-807-4444	SCREW, MACHINE	
343	1019000	6MT12/5360-99-807-4183	SPRING, HELICAL, COMPRESSION	
344	1019026	6MT12/5305-99-807-4576	SCREW, MACHINE	
345	1019717	7BD/2930-99-833-3009	RETAINER, RADIATOR CORE INSULATOR	
346	1021311	7BD/5340-99-832-5685	RING, EXTERNALLY THREADED	

I T E M N O	Mfr Part Number	Catalogue Number	Item Name	Remarks
347	1023159	6MT12/5310-99-807-4712	WASHER, FLAT	
348	1023189	6MT12/5305-99-807-4709	SCREW, SET	
349	1023193	6MT12/2910-99-807-4714	FLOAT, CARBURETOR	
350	1023900	6MT10/5310-99-836-8601	WASHER, SPLIT	
351	1025050	6MT10/2520-99-836-8585	YOKE, UNIVERSAL JOINT	
352	1025055	6MT10/5340-99-400-3070	CAP, PROTECTIVE, DUST AND MOISTURE SEAL	
353	1025056	6MT10/5310-99-400-3071	WASHER, SPLIT	
354	1025057	6MT10/5330-99-400-3072	PACKING, PREFORMED	
355	1025666	7BD/5340-99-833-3013	BUSHING, RUBBER	
356	1025667	7BD/5330-99-833-3014	WASHER, NONMETALLIC	
357	1026212	6MT4/5935-99-838-6432	CONNECTOR, ASSEMBLY, ELECTRICAL	
358	1027636	6MT12/2910-99-807-6598	JET, SLOW RUNNING	
359	1028313	7BD/5310-99-136-5405	WASHER, FLAT	
360	1028816	7BD/5306-99-123-4514	BOLT, MACHINE	
361	1029586	7BD/5306-99-832-7575	BOLT, MACHINE	
362	1031374	6MT4/5935-99-805-0001	SOCKET, ELECTRICAL	
363	1031375	6MT4/5940-99-805-1224	FERRULE, ELECTRICAL CONDUCTOR	
364	1032572	6MT4/5977-99-408-1161	BRUSH SET, ELECTRICAL CONTACT	
365	1033197	7BD/2805-99-833-0318	COLLET, SPLIT	
366	1033645	6MT1/4730-99-802-8367	LUBRICATING NIPPLE	
367	1034860	6MT4/3120-99-8047-1894	BEARING, SLEEVE	
368	1036207	6MT12/5310-99-807-4911	WASHER, FLAT	
369	1036208	6MT12/2910-99-807-4877	SCREW, AIR ADJUSTMENT, CARBURETOR	
370	1036209	6MT12/5360-99-807-4878	SPRING, HELICAL, COMPRESSION	
371	1036232	6MT12/2910-99-807-7023	SCREW, CAPACITY TUBE, CARBURETOR	
372	1036274	7BD/5310-99-135-3778	WASHER, FLAT	
373	1036428	6MT10/5315-99-832-0154	PIN, STRAIGHT, HEADLESS	
374	1036430	6MT10/2520-99-832-0155	STRUT, FULCRUM, FRICTION CLUTCH	
375	1036811	7BD/2540-99-832-9551	PLATE, DOOR LOCK STRIKER	
376	1037609	7BD/5310-99-833-2719	WASHER, FLAT	
377	1037931	7BD/5310-99-874-0708	WASHER, FLAT	
378	1038079	G1/5310-99-956-1786	WASHER, FLAT	
379	1038876	6MT4/5935-99-805-0212	SOCKET, ELECTRICAL	
380	1039026	6MT12/2910-99-807-4930	SPRING, PUMP PISTON	
381	1039027	6MT12/2910-99-807-3941	VALVE, CHECK PUMP	
382	1039320	6MT3/5940-99-803-1952	FERRULE, ELECTRICAL CONDUCTOR	
383	1040647	7BD/5310-99-832-7656	WASHER, KEY	
384	1040664	7BD/5310-99-832-7657	NUT	

I T E M N O	Mfr Part Number	Catalogue Number	Item Name	Remarks
385	1041617	6MT7/3110-99-882-0857	BEARING, TAPERED, ROLLER	
386	1041618	7BD/5365-99-832-7662	RING, RETAINING	
387	1042315	7BD/5325-99-895-2231	GROMMET, RUBBER	
388	1044388	7BD/5325-99-833-0422	GROMMET, RUBBER	
389	1044663	7BD/2520-99-832-5744	SPRING, HELICAL, COMPRESSION	
390	1045470	6MT4/2920-99-803-7721	SPRING, HELICAL, COMPRESSION	
391	1048486	6MT14/5310-99-801-7641	NUT, CONE SEAT, HEXAGON	
392	1048487	6MT14/5310-99-815-3290	NUT, CONE SEAT, HEXAGON	
393	1048692	7BD/2520-99-832-7742	COVER	
394	1048713	7BD/5330-99-895-2237	GASKET	
395	1048716	7BD/2530-99-895-0030	SPRING, HELICAL, COMPRESSION	
396	1048719	7BD/5330-99-895-2200	GASKET	
397	1048726	7BD/5340-99-895-2340	SEAT, HELICAL COMPRESSION SPRING	
398	1048760	7BD/5365-99-895-2503	SPACER, SLEEVE	
399	1048762	7BD/5365-99-895-2500	SPACER, SLEEVE	
400	1048766	7BD/2530-99-895-0027	EXPANDER, BISECTOR	
401	1048789	7BD/2530-99-895-4256	SPACER, FRONT, SHOES TO ANCHOR LINK	
402	1048799	7BD/5306-99-832-7792	BOLT, MACHINE	
403	1049122	7BD/5360-99-895-0022	SPRING, HELICAL, COMPRESSION	
404	1049585	6MT9/4730-99-810-7292	CONNECTOR, MULTIPLE, FLUID PRESSURE LINE	
405	1049586	6MT9/4730-99-124-9436	BOLT, FLUID PASSAGE	
406	1049587	6MT9/5330-99-800-4223	GASKET	
407	1049588	6MT9/5310-99-800-4151	WASHER, FLAT	
408	1049589	6MT9/2530-99-810-7258	UNION, DOUBLE ENDED	
409	1524507	6MT12/2910-99-401-0318	KIT PETROL PUMP	
410	1524971	7BD/2990-99-819-2575	RETAINER, SEDIMENT BOWL	
411	1530250	X3/5330-99-915-5640	GASKET	
412	1531098	6MT1/5330-99-800-8344	PACKING, PREFORMED	
413	1533447	8REBM/5930-99-762-0937	SWITCH, PUSH	
414	1533692	6MT4/5930-99-813-5249	SWITCH, IGNITION AND STARTER	
415	1533740	7BD/2815-99-829-5020	VALVE ASSEMBLY, CRANKCASE VENT	
416	1570447	6MT1/6680-99-801-9943	WINDOW, METER	
417	1579787	6MT1/2940-99-802-2415	CAP, OIL FILLER	
418	2680551	6MT12/2910-99-814-6365	GASKET	
419	2680553	G1/5305-99-135-0339	SCREW, MACHINE	
420	2680557	6MT12/2910-99-814-6369	DIAPHRAGM, GOVERNOR	
421	2680562	G1/5315-99-923-3960	PIN, SPRING	
422	2680567	6MT9/5365-99-800-8946	SPACER, RING	

I T E M N O	Mfr Part Number	Catalogue Number	Item Name	Remarks
423	2680568	6MT9/5365-99-137-6257	SPACER, RING	
424	2680620	G1/5310-99-972-1313	NUT, SELF-LOCKING, HEXAGON	
425	2680656	6MT9/2530-99-818-8377	HOUSING, MECHANICAL DRIVE	
426	2680661	X3/5306-99-135-4682	BOLT, MACHINE	
427	2680662	6MT12/2910-99-812-4326	VALVE ASSEMBLY, PRESSURIZING	
428	2680675	7BD/4710-99-822-2766	TUBING, PLASTICS	
429	2680803	6MT12/2910-99-881-4430	ROTOR, PRESSURIZING PUMP	
430	2680806	6MT1/5330-99-801-4809	SEAL, PLAIN	
431	2680809	6MT12/5330-99-881-4434	PACKING, PREFORMED	
432	2680810	6MT12/2910-99-881-4426	ARMATURE, MOTOR	
433	2680816	6MT12/2920-99-881-8456	BRUSH, FUEL PUMP	
434	2680818	6MT4/5910-99-881-6470	CAPACITOR, FIXED, METALLIZED, PAPER-PLASTICS	
435	2680819	6MT4/5910-99-881-6470	CAPACITOR, FIXED, METALLIZED, PAPER-PLASTICS	
436	2680820	6MT12/5950-99-881-4428	CHOKER, RADIO FREQUENCY	
437	2680821	6MT12/5950-99-881-4429	CHOKER, RADIO FREQUENCY	
438	2681326	6MT9/2530-99-822-1463	VALVE, NON-RETURN	
439	2681340	7BD/2540-99-814-7967	ROD, THROTTLE CONTROL	
440	2681341	7BD/2540-99-814-7953	ROD, ACCELERATOR PEDAL	
441	2681343	7BD/2540-99-814-7954	SHAFT ASSEMBLY	
442	2681374	7BD/4710-99-822-2402	PIPE, STEEL	
443	2681401	7BD/3120-99-819-1528	BEARING, SLEEVE	
444	2681420	7BD/4720-99-825-2945	HOSE, PREFORMED	
445	2681512	7BD/5330-99-814-6379	GASKET	
446	2681703	7BD/4720-99-820-3707	HOSE, PREFORMED	
447	2681874	7BD/2910-99-817-5467	GASKET, FUEL PUMP	
448	2682142	7BD/4720-99-838-6811	TUBING, BREATHER	
449	2683752	7BD/5340-99-822-9565	TURNBUCKLE BODY	
450	2683896	7BD/5325-99-814-8370	GROMMET, RUBBER	
451	2683997	7BD/2530-99-829-8977	BRAKE DRUM	
452	2683998	7BD/2530-99-814-0014	BRAKE DRUM	
453	2684003	7BD/2530-99-819-3943	SPRING, RETURN, REAR BRAKE	
454	2684107	6MT4/6220-99-802-3170	CONTROL, DIRECTIONAL SIGNAL LIGHT, AUTOMOTIVE	
455	2684156	7BD/2920-99-819-7649	WIRING HARNESS, BRANCHED	
456	2684621	7BD/2815-99-819-1671	WASHER HALF, THRUST	
457	2684634	6MT1/2805-99-819-5159	SEAL ASSEMBLY, VALVE STEM	
458	2684663	7BD/3030-99-829-5025	BELTS, V, ENDLESS, MATCHED SET	
459	2685110	7BD/2540-99-825-0008	GROMMET	
460	2685671	7BD/2530-99-817-6410	SHIELD, HANDBRAKE BUTTON	

I T E M N O	Mfr Part Number	Catalogue Number	Item Name	Remarks
461	2685708	7BD/5340-99-748-0291	STRAP, RETAINING	
462	2685807	6MT9/2530-99-819-5486	VALVE ASSEMBLY, HAND CONTROL	
463	2685966	7BD/4730-99-822-0997	ELBOW, PIPE	
464	2685993	6MT9/4730-99-822-1249	ADAPTOR, TEE, PIPE	
465	2686013	7BD/4730-99-825-6319	NUT, UNION, PIPE	
466	2686014	6MT9/4730-99-825-7593	ADAPTOR, ELBOW, PIPE	
467	2686015	6MT9/4730-99-825-7591	ADAPTOR, ELBOW, PIPE	
468	2686029	7BD/2540-99-819-8139	PEDAL-LEVER, CONTROL	
469	2686142	7BD/2540-99-822-0999	ROD, THROTTLE CONTROL	
470	2687375	7BD/2805-99-815-9754	CYLINDER HEAD, GASOLINE ENGINE	
471	2687384	7BD/2805-99-817-5466	MANIFOLD, EXHAUST, ENGINE	
472	2687404	7BD/4710-99-815-8029	PIPE, STEEL	
473	2687405	7BD/4710-99-815-8028	PIPE, STEEL	
474	2687406	7BD/4710-99-815-8026	PIPE, STEEL	
475	2687407	7BD/4710-99-815-8300	PIPE, STEEL	
476	2687408	7BD/4710-99-815-8027	PIPE, STEEL	
477	2687409	7BD/4710-99-815-8031	PIPE, STEEL	
478	2687417	7BD/5330-99-817-6368	RING, SEALING, TOROIDAL	
479	2687478	7BD/5330-99-827-1716	GASKET	
480	2687509	7BD/2805-99-828-4563	SEAL, VALVE STEM	
481	2687531	7BD/5330-99-817-9264	GASKET	
482	2687563	7BD/5306-99-136-9873	BOLT, MACHINE	
483	2687568	7BD/2540-99-824-9798	SOLENOID, ELECTRIC	
484	2687578	7BD/2930-99-822-2285	PIPE, RADIATOR INLET	
485	2687598	7BD/2520-99-779-0812	HOUSING, CLUTCH	
486	2687690	6MT9/4730-99-825-6320	SLEEVE, COMPRESSION, PIPE-HOSE FITTING	
487	2687786	7BD/5306-99-815-9716	BOLT, U	
488	2687787	7BD/3120-99-815-9717	BUSHING, SLEEVE	
489	2687788	7BD/5306-99-815-9718	BOLT, MACHINE	
490	2687800	7BD/2520-99-814-0868	BRACKET, STABILIZER	
491	2687935	7BD/3040-99-822-2288	CONNECTING LINK, RIGID	
492	2688050	7BD/2540-99-817-6587	LOCK, DOOR, VEHICULAR	
493	2688051	7BD/2540-99-817-5099	LOCK, DOOR, VEHICULAR	
494	2688052	7BD/2540-99-817-9255	LOCK, DOOR, VEHICULAR	
495	2688053	7BD/2540-99-817-9256	LOCK, DOOR, VEHICULAR	
496	2688115	7BD/2510-99-808-2504	TREAD, METALLIC, NONSKID	
497	2688282	6MT9/2530-99-828-6172	CYLINDER ASSEMBLY, SPRING BRAKE	
498	2688338	7BD/2530-99-820-7550	HOUSING, MECHANICAL DRIVE	
499	2688396	6MT9/5360-99-824-8356	SPRING, HELICAL, COMPRESSION	
500	2688409	6MT9/2530-99-819-5126	FORK END ASSEMBLY	
501	2688411	6MT9/5340-99-819-5129	CLIP, SPRING TENSION	

I T E M N O	Mfr Part Number	Catalogue Number	Item Name	Remarks
502	2688415	6MT9/2530-99-819-3942	PARTS KIT, AIR PRESSURE BRAKE CYLINDER	
503	2688484	6MT12/2910-99-822-2406	CAMSHAFT, CONTROL	
504	2688487	6MT3/6220-99-910-9190	CLIP RETAINING RIM	
505	2688495	6MT1/5330-99-206-0698	RING, SEALING, TOROIDAL	
506	2688574	G2/4710-99-964-7356	PIPING, STEEL	
507	2688577	G2/4710-99-801-0704	PIPING, STEEL	
508	2688583	6MT9/5330-99-825-9839	RING, SEALING, TOROIDAL	
509	2688585	6MT9/2530-99-882-0329	RING, SEALING, DIAPHRAGM	
510	2688586	6MT9/5330-99-802-9528	GASKET	
511	2688590	6MT9/2530-99-402-7106	REPAIR KIT, GOVERNOR VALVE	
512	2688791	7BD/2590-99-978-1126	PLUG	
513	2688842	6MT9/2530-99-822-4782	PARTS KIT, RELAY VALVE	
514	2690194	G1/5305-99-138-3947	SCREW, TAPPING, THREAD FORMING	
515	2690195	G1/5305-99-138-3948	SCREW, TAPPING, THREAD FORMING	
516	2690197	7BD/4820-99-831-4995	PISTON, VALVE	
517	2690222	6MT3/6220-99-807-3420	LENS, LIGHT	
518	2690224	6MT4/5310-99-137-9329	NUT	
519	2690225	6MT3/5305-99-803-2367	SCREW, MACHINE	
520	2690276	7BD/2930-99-817-0256	PARTS KIT, ENGINE COOLANT PUMP	
521	2690401	X3/2910-99-205-1419	GASKET	
522	2690403	6MT1/5365-99-802-3426	RING, RETAINING	
523	2690404	6MT9/5310-99-800-1867	WASHER, FLAT	
524	2690405	6MT1/5360-99-528-1394	SPRING, HELICAL, COMPRESSION	
525	2690406	X3/2940-99-407-8317	GUIDE, ELEMENT, OIL FILTER	
526	2690407	6MT1/5330-99-951-3423	RING, SEALING, TOROIDAL	
527	2690547	7BD/2530-99-670-3333	BRACKET ASSEMBLY, HANDBRAKE CABLE	
528	2690723	7BD/4730-99-822-2286	PIPE, STEEL	
529	2690726	7BD/4730-99-822-2284	PIPE, STEEL	
530	2690778	6MT9/4730-99-815-9798	ADAPTOR, ELBOW, PIPE	
531	2690835	6MT9/5310-99-836-5772	WASHER, FLAT	
532	2690869	6MT9/5340-99-811-6990	CAP, PROTECTIVE, DUST AND MOISTURE SEAL	
533	2691416	7BD/2540-99-830-8992	SHAFT, STRAIGHT	
534	2691419	7BD/2540-99-825-2195	HANDWHEEL	
535	2691428	7BD/2590-99-978-2739	BRACKET ASSEMBLY	
536	2691429	7BD/2530-99-978-3131	BRACKET, BRAKE ADJUSTER	
537	2691781	G1/5315-99-136-0778	PIN, SPRING	
538	2692900	6MT3/6220-99-827-5264	COVER, BULBHOLDER	
539	2693560	7BD/2520-99-824-8854	BELL CRANK	
540	2693562	7BD/2540-99-825-0011	LEVER, REMOTE CONTROL	

I T E M N O	Mfr Part Number	Catalogue Number	Item Name	Remarks
541	2693566	7BD/5340-99-823-6114	BRACKET, ANGLE	
542	2693720	7BD/2910-99-829-5015	GASKET	
543	2693723	7BD/2815-99-819-1662	COVER PLATE, ACCESS	
544	2693730	7BD/5330-99-829-5027	GASKET, WATER OUTLET	
545	2693739	7BD/5330-99-829-5040	GASKET	
546	2693748	7BD/2910-99-817-5097	PIPE, STEEL	
547	2693773	G1/5306-99-941-1553	BOLT, MACHINE	
548	2693877	7BD/2540-99-823-7826	SPRING, LID, VENTILATOR	
549	2693891	7BD/2540-99-793-6234	MUDFLAP	
550	2693898	7BD/2510-99-823-8414	MOULDING, METAL	
551	2693899	7BD/2510-99-823-8415	MOULDING, METAL	
552	2693916	7BD/2540-99-823-7825	LID ASSEMBLY, VENTILATOR	
553	2693917	7BD/2540-99-824-8623	LID, VENTILATOR	
554	2693989	6MT9/2530-99-820-2275	VALVE, AUTOMATIC DRAIN	
555	2695028	7BD/2590-99-817-1721	WIRING HARNESS, BRANCHED	
556	2695029	7BD/2590-99-817-1722	WIRING HARNESS, BRANCHED	
557	2695056	6MT3/2590-99-818-8592	HORN, ELECTRICAL	
558	2695057	6MT3/2590-99-820-0128	HORN, ELECTRICAL	
559	2695078	7BD/5920-99-822-9571	FUSE, ELECTRICAL	
560	2695079	6MT4/5930-99-822-0211	SWITCH, WARNING LIGHT	
561	2695137	7BD/2815-99-829-5037	PIPE, STEEL	
562	2695138	7BD/4730-99-824-9812	BOLT, FLUID CONNECTOR	
563	2695139	7BD/5310-99-137-7406	WASHER, FLAT	
564	2695163	7BD/2590-99-825-7997	BRACKET, GEAR LEVER	
565	2695185	6MT9/4310-99-824-2754	COMPRESSOR, RECIPROCATING, POWER DRIVEN	
566	2695203	7BD/5310-99-818-9192	NUT, PLAIN, HEXAGON	
567	2695204	7BD/2590-99-817-6380	CABLE, WHEEL CARRIER	
568	2695241	7BD/3020-99-825-8460	PULLEY, GROVE	
569	2695242	7BD/2815-99-830-7335	PLATE, PULLEY GUIDE	
570	2695243	7BD/2815-99-830-7334	SPINDLE, PULLEY MOUNTING	
571	2695244	7BD/3020-99-830-6185	ADJUSTMENT BOLT, PULLEY	
572	2695249	7BD/2910-99-827-9915	SUPPORT, PIPE	
573	2695252	7BD/2815-99-824-9811	PIPE, STEEL	
574	2695253	7BD/4730-99-825-3414	ADAPTOR, PIPE FITTING	
575	2695255	7BD/2910-99-823-2497	TUBE ASSEMBLY, FUEL DRAIN REAR	
576	2695256	7BD/2910-99-823-4514	TUBE ASSEMBLY, FUEL DRAIN FRONT	
577	2695363	6MT10/2520-99-822-1226	BOOT, DUST AND MOISTURE SEAL	
578	2695364	6MT10/2520-99-795-7418	CLIP RING, GAITER	
579	2695507	7BD/2520-99-822-3678	GEARSHAFT, HELICAL	
580	2695536	7BD/4720-99-829-7385	HOSE, PREFORMED	
581	2695537	7BD/4720-99-829-7382	HOSE, PREFORMED	
582	2695626	6MT9/4730-99-831-9764	ADAPTOR, ELBOW, PIPE	

I T E M N O	Mfr Part Number	Catalogue Number	Item Name	Remarks
583	2695648	7BD/5340-99-825-0012	CONTROL ROD	
584	2695666	7BD/2520-99-827-1712	GEARSHAFT, HELICAL	
585	2695770	7BD/5305-99-825-6886	SCREW, SET	
586	2695854	7BD/2930-99-829-7274	HOSE, PREFORMED	
587	2695898	7BD/2510-99-824-6713	PANEL, STRUCTURAL, VEHICULAR	
588	2695899	7BD/2510-99-762-0120	FRONT PANEL	
589	2696090	7BD/5315-99-774-6071	PIN	
590	2696199	7BD/2590-99-978-0856	BRACKET	
591	2696287	6MT9/2530-99-825-6329	EXHAUST CHECK, REACTION VALVE	
592	2696290	6MT4/2920-99-818-7812	COVER, ELECTRICAL GENERATOR	
593	2696354	6MT4/2920-99-817-0828	END SHIELD, ELECTRICAL ROTATING EQUIPMENT	
594	2697520	7BD/2530-99-823-8571	PLUNGER ASSEMBLY, BISECTOR EXPANDER	
595	2697571	7BD/2590-99-634-7168	WIRING HARNESS	
596	2698402	6MT9/4820-99-800-0803	VALVE, PNEUMATIC TANK	
597	2698403	6MT9/4730-99-825-1088	ELBOW, PIPE FITTING	
598	2698416	6MT10/2520-99-824-1516	PARTS KIT, UNIVERSAL JOINT	
599	2698437	6MT10/2520-99-827-6843	CAP, RETAINING, BEARING	
600	2699030	7BD/2530-99-837-8844	PIPE, STEEL	
601	2699031	7BD/2590-99-824-8361	PIPE, STEEL	
602	2699032	7BD/2530-99-818-5360	PIPE, STEEL	
603	2699052	7BD/2815-99-829-5038	PIPE, STEEL	
604	2699294	7BD/6680-99-818-3198	DIPSTICK, LIQUID QUANTITY	
605	2699415	7BD/5340-99-830-8874	CLAMP, LOOP	
606	2701138	7BD/2540-99-821-8251	SEAT, INDIVIDUAL	
607	2701139	7BD/2540-99-819-7610	PAD, CUSHION, VEHICULAR	
608	2701140	7BD/2540-99-819-7611	SQUAB, VEHICULAR	
609	2701166	7BD/2540-99-819-7612	COVER, SEAT, VEHICULAR	
610	2701429	7BD/2590-99-824-0345	WIRING HARNESS, BRANCHED	
611	2701430	7BD/2590-99-824-5118	WIRING HARNESS, BRANCHED	
612	2701473	7BD/2590-99-822-3834	WIRING HARNESS	
613	2701481	6MT3/6220-99-764-5550	BULBHOLDER AND CABLE	
614	2701488	6MT4/2920-99-815-2540	REGULATOR, ENGINE GENERATOR	
615	2701505	6MT4/2920-99-824-9814	STARTER, ENGINE, ELECTRICAL	
616	2701588	7BD/2815-99-789-4721	BRACKET, FUEL PUMP	
617	2701594	7BD/2910-99-821-8951	PIPE, STEEL	
618	2701595	7BD/2910-99-821-8952	PIPE, STEEL	
619	2701596	7BD/2910-99-821-8953	PIPE, STEEL	
620	2701597	7BD/2910-99-821-8954	PIPE, STEEL	
621	2701598	7BD/2910-99-821-8956	PIPE, STEEL	
622	2701601	7BD/3020-99-821-7242	PULLEY, GROOVE	

ITEM NO	Mfr Part Number	Catalogue Number	Item Name	Remarks
623	2701602	7BD/3020-99-822-3871	PULLEY, GROOVE	
624	2701605	7BD/4320-99-819-4754	PUMP, CENTRIFUGAL	
625	2701606	7BD/4320-99-819-4881	PUMP, CENTRIFUGAL	
626	2701611	7BD/5340-99-725-8054	STRAP, RETAINING	
627	2701618	7BD/2910-99-821-8832	PIPE, STEEL	
628	2701619	7BD/2910-99-821-8834	PIPE, STEEL	
629	2701671	7BD/2510-99-824-8368	GRILLE, RADIATOR	
630	2701710	7BD/5310-99-817-4709	WASHER, FLAT	
631	2701716	7BD/2510-99-822-1245	DOOR VENTILATOR ASSEMBLY	
632	2701717	7BD/2510-99-822-1246	DOOR VENTILATOR ASSEMBLY	
633	2701853	6MT10/2520-99-822-1225	SHAFT, PROPELLER	
634	2701858	6MT10/2520-99-822-1224	SHAFT, PROPELLER	
635	2701859	6MT10/2520-99-822-1223	SHAFT, PROPELLER	
636	2701861	7BD/2940-99-825-2946	FILTER, AIR, INTAKE	
637	2701871	7BD/2540-99-725-5018	SHAFT ASSEMBLY, ACCELERATOR PEDAL	
638	2702097	6MT10/2520-99-814-9791	PARTS KIT, FRICTION CLUTCH	
639	2702357	7BD/2930-99-820-2280	PARTS KIT, WATER PUMP	
640	2702380	7BD/4720-99-821-7916	HOSE, RUBBER	
641	2702381	6MT3/5355-99-818-7194	KNOB	
642	2704323	6MT9/2530-99-819-7613	VALVE, PRESSURE REGULATING, MANUAL	
643	2704559	7BD/5340-99-828-2061	HOOK, SEAT BELT	
644	2705053	7BD/2510-99-824-2132	STRIKER, DOOR LOCK	
645	2705086	7BD/2510-99-824-9395	CHANNEL, VEHICULAR WINDOW	
646	2705087	7BD/2510-99-824-9396	CHANNEL, VEHICULAR WINDOW	
647	2705089	7BD/2520-99-978-0270	COVER ASSEMBLY	
648	2705092	7BD/2540-99-825-4104	MAT, FLOOR	
649	2705093	7BD/2540-99-825-3598	MAT, FLOOR	
650	2705230	6MT12/2910-99-822-2404	PUMP, FUEL, METERING AND DISTRIBUTING	
651	2705258	7BD/4730-99-821-8958	BOLT, PIPE UNION	
652	2705263	7BD/5307-99-825-0003	STUD, BALL	
653	2705266	7BD/2540-99-825-0002	ADAPTOR, CONTROL ROD	
654	2705288	7BD/2530-99-837-8524	PIPE, STEEL	
655	2705292	7BD/2910-99-821-8957	PIPE ASSEMBLY, FUEL RETURN	
656	2705316	7BD/2930-99-822-1229	RADIATOR, ENGINE COOLANT	
657	2705317	7BD/2930-99-822-2287	COWL ASSEMBLY, RADIATOR	
658	2705318	7BD/2540-99-822-1403	CRANK, HAND	
659	2705332	7BD/5340-99-830-2468	CAP, PROTECTIVE, DUST AND MOISTURE SEAL	
660	2705341	7BD/2910-99-823-6384	PIPE, STEEL	
661	2705353	7BD/2910-99-825-2189	PIPE, STEEL	
662	2705357	7BD/2940-99-825-2190	ADAPTOR, AIR FILTER	

I T E M N O	Mfr Part Number	Catalogue Number	Item Name	Remarks
663	2705398	7BD/2530-99-821-7910	LEVER, REMOTE CONTROL	
664	2705409	7BD/5315-99-821-7912	PIN, STRAIGHT, HEADED	
665	2707025	7BD/2590-99-835-6117	TRAY, STOWAGE, VEHICULAR	
666	2707035	7BD/2540-99-825-2194	PAD, SEAT, VEHICULAR	
667	2707040	7BD/2540-99-825-2192	PAD, SEAT, VEHICULAR	
668	2707048	7BD/5330-99-827-9446	SEAL, RUBBER CHANNEL	
669	2707072	7BD/2540-99-825-0500	LOCK ASSEMBLY, VEHICULAR DOOR, RH	
670	2707073	7BD/2540-99-825-0501	LOCK ASSEMBLY, VEHICULAR DOOR, LH	
671	2707088	7BD/5325-99-823-9277	GROMMET, RUBBER	
672	2707121	7BD/2540-99-822-1440	ARM, REARVIEW MIRROR	
673	2707125	7BD/2540-99-822-1441	BRACKET, MIRROR MOUNTING	
674	2707146	7BD/2530-99-819-4335	EXPANDER ASSEMBLY, BRAKE	
675	2707147	7BD/2530-99-819-4336	EXPANDER ASSEMBLY, BRAKE	
676	2707236	7BD/3040-99-824-8366	CONNECTING LINK, RIGID	
677	2707272	7BD/2540-99-825-3588	CASING, FLEXIBLE SHAFT ASSEMBLY	
678	2707284	7BD/2590-99-825-3427	CABLE, CONTROL	
679	2707298	7BD/3120-99-825-0005	BUSHING, SLEEVE	
680	2707299	7BD/2540-99-825-0004	BELL CRANK	
681	2707309	6MT12/2910-99-832-5015	NOZZLE ASSEMBLY, FUEL, PRESSURE ATOMIZING	
682	2707332	7BD/5365-99-774-2802	SPACER SLEEVE	
683	2707340	7BD/2540-99-822-1032	END FITTING CONTROL WIRE	
684	2707341	7BD/2540-99-822-1031	CONNECTOR, CONTROL WIRE	
685	2707342	7BD/2990-99-825-1678	PLATE, ADAPTOR, PUMP CONTROL	
686	2707343	7BD/2990-99-824-8850	NIPPLE, CONTROL WIRE	
687	2707345	7BD/2540-99-822-1037	CROSS SHAFT, THROTTLE CONTROL	
688	2707347	7BD/2540-99-822-1024	LEVER, REMOTE CONTROL	
689	2707350	7BD/5310-99-822-1036	ROD, THROTTLE CONTROL	
690	2707351	7BD/2540-99-822-1026	CONNECTOR, THROTTLE	
691	2707353	7BD/3040-99-822-1025	CONNECTING LINK, RIGID	
692	2707354	7BD/2540-99-830-6578	PLATE ASSEMBLY, SUPPORT	
693	2707363	7BD/2990-99-825-1677	SUPPORT, CONTROL SPRING	
694	2707378	7BD/5310-99-817-6369	WASHER, FLAT	
695	2707379	7BD/5310-99-818-7562	WASHER, FLAT	
696	2707427	7BD/2520-99-824-8856	SUPPORT, RELAY LEVER SHAFT	
697	2707431	7BD/2520-99-824-8855	BELL CRANK	
698	2707438	7BD/2520-99-824-8857	PUSH ROD ASSEMBLY	
699	2707468	7BD/2530-99-821-7909	BELL CRANK	
700	2707469	7BD/5315-99-822-9564	PIN, STRAIGHT, HEADED	
701	2707823	7BD/2930-99-828-4799	SEAL ASSEMBLY, WATER PUMP	

I T E M N O	Mfr Part Number	Catalogue Number	Item Name	Remarks
702	2708008	7BD/2540-99-822-1445	DEE WASHER, MIRROR MOUNTING	
703	2708048	7BD/2540-99-822-1442	BRACKET, MIRROR MOUNTING	
704	2708074	7BD/5340-99-825-6880	BRACKET, DOUBLE ANGLE	
705	2708112	7BD/2540-99-824-7134	RIVET, ROOF PANEL	
706	2708143	6MT3/4320-99-819-4075	PUMP, RECIPROCATING, HAND DRIVEN	
707	2708184	7BD/5920-99-825-4146	FUSE HOLDER ASSEMBLY	
708	2708186	7BD/5920-99-830-2477	COVER, FUSE ACCESS	
709	2708196	6MT3/6220-99-833-6812	LIGHT UNIT, TAILLIGHT	
710	2708197	6MT3/6220-99-833-6811	LIGHT UNIT, TAILLIGHT	
711	2708213	X5/6240-99-995-2254	LAMP, FILAMENT	
712	2708255	7BD/2590-99-822-1041	ESCUTCHEON AND TUBE ASSEMBLY	
713	2708256	7BD/2590-99-822-1034	ESCUTCHEON AND TUBE ASSEMBLY	
714	2708257	7BD/2590-99-822-1040	STOP CONTROL ASSEMBLY	
715	2708258	7BD/2590-99-822-1033	STOP CONTROL ASSEMBLY	
716	2708281	7BD/2590-99-825-3429	NIPPLE, CONTROL CABLE	
717	2708285	6MT12/2910-99-824-9809	PUMP, FUEL, METERING AND DISTRIBUTING	
718	2708301	7BD/2930-99-774-1615	SHAFT AND BEARING ASSEMBLY	
719	2708327	7BD/5360-99-825-0001	SPRING, HELICAL, COMPRESSION	
720	2708339	7BD/5360-99-822-1027	SPRING, THROTTLE OVERLOAD	
721	2708489	7BD/2530-99-821-7913	CONNECTING ROD	
722	2709029	7BD/6680-99-823-5146	GEARSHAFT, FLEXIBLE	
723	2709031	7BD/6680-99-821-1290	GEAR AND SHAFT ASSEMBLY, HELICAL	
724	2709049	7BD/2520-99-823-6113	LEVER, REMOTE CONTROL	
725	2709052	7BD/5306-99-817-6367	BOLT, U	
726	2709109	7BD/5306-99-824-8880	BOLT, MACHINE	
727	2709128	7BD/4730-99-824-8367	NIPPLE, DOOR HINGE	
728	2709136	7BD/2590-99-733-7314	PANEL, PARCEL SHELF	
729	2709172	7BD/2540-99-822-1443	DEE BOLT, MIRROR MOUNTING	
730	2709307	6MT10/2520-99-818-7563	PLATE, CLUTCH	
731	2709308	6MT10/2520-99-818-5458	PLATE, CLUTCH	
732	2709311	6MT10/2520-99-821-7477	PLATE, CLUTCH	
733	2709454	7BD/2530-99-825-6673	CANOPY, STEERING COLUMN	
734	2709455	7BD/2530-99-825-6674	CANOPY, STEERING COLUMN	
735	2709510	7BD/2590-99-838-3081	CONTROL CABLE, INNER	
736	2709513	7BD/2590-99-830-8887	RING, RETAINING	
737	2709539	6MT9/4820-99-816-3042	COCK, DRAIN	
738	2709561	6MT9/2530-99-814-8379	VALVE RUBBER	
739	2709562	6MT9/5330-99-814-8380	GASKET	
740	2709563	6MT9/2530-99-820-2401	GUIDE, VALVE	

I T E M N O	Mfr Part Number	Catalogue Number	Item Name	Remarks
741	2709574	7BD/4720-99-823-7992	HOSE, RUBBER	
742	2709589	6MT12/2910-99-821-7925	END PLATE RUBBER	
743	2709592	X3/5306-99-207-1437	BOLT, CONTROL HOUSING	
744	2709734	6MT4/2540-99-820-3422	VALVE	
745	2709892	6MT9/2530-99-817-6758	BACKPLATE, SHOE TYPE BRAKE	
746	2709893	6MT9/2530-99-817-6759	EXPANDER ASSEMBLY, BRAKE	
747	2709895	G1/5310-99-941-1266	NUT, SLOTTED, HEXAGON	
748	2709954	7BD/2520-99-823-1182	FORK, SELECTOR, GEARBOX	
749	2710112	8REHM/4730-99-810-7817	ADAPTOR, STRAIGHT, PIPE	
750	2710113	7BD/3020-99-821-8836	PULLEY, GROOVE	
751	2710122	7BD/2540-99-825-3792	SWITCH ASSEMBLY	
752	2711042	7BD/2510-99-825-6687	PANEL ASSEMBLY, VEHICULAR CAB	
753	2711056	G1/5325-99-120-0132	STUD, TURNLOCK FASTENER	
754	2711066	7BD/2540-99-824-8864	PAD INSERT, DOOR TRIM	
755	2711067	7BD/2540-99-824-8865	PAD INSERT, DOOR TRIM	
756	2711072	7BD/2540-99-825-2193	COVER, SEAT, VEHICULAR	
757	2711177	7BD/2910-99-750-9749	INSULATOR, PIPE CLIP	
758	2711410	6MT4/5945-99-881-2486	RELAY, SOLENOID	
759	2711415	Z31/5910-99-634-2928	CAPACITOR, FIXED, METALLIZED, PAPER-PLASTICS DIELECTRIC	
760	2711443	7BD/4720-99-741-3764	HOSE, PREFORMED	
761	2711454	7BD/2540-99-829-8463	COVER BATTERY	
762	2711456	7BD/2590-99-828-3264	COVER BATTERY	
763	2711472	7BD/2540-99-830-2476	RETAINER, BATTERY	
764	2711487	7BD/2590-99-828-3263	CLAMP, RETAINING, BATTERY	
765	2711495	7BD/2805-99-822-3868	COVER, ROCKER, ENGINE	
766	2711912	7BD/2520-99-824-5129	BUSH ASSEMBLY, GEARSHIFT	
767	2712062	7BD/2540-99-825-2191	COVER, SEAT, VEHICULAR	
768	2712073	7BD/2540-99-825-2198	DEFLECTOR, REGULATOR COVER	
769	2712127	7BD/2530-99-825-3425	BUSH, STEERING SHAFT	
770	2712128	7BD/2530-99-825-3426	RETAINER, BEARING	
771	2712130	7BD/2590-99-978-2551	SUPPORT ASSEMBLY	
772	2712141	7BD/5340-99-793-4151	STRAP, RETAINING	
773	2712154	7BD/5930-99-825-7998	CLIP, DIRECTION INDICATOR	
774	2712241	7BD/2930-99-825-6781	PUMP, ENGINE COOLANT	
775	2712266	7BD/2930-99-829-5023	PUMP ASSEMBLY, WATER	
776	2712275	7BD/2520-99-822-7183	CONE, SYNCHROMESH	
777	2712449	7BD/3020-99-825-1732	GEAR, HELICAL	
778	2712469	7BD/2520-99-825-2947	GEAR AND SHAFT ASSEMBLY	
779	2712490	7BD/5330-99-774-0638	GASKET	
780	2712812	6MT3/2540-99-825-3765	CONTAINER ASSEMBLY, WINDSCREEN WASHER	

I T E M N O	Mfr Part Number	Catalogue Number	Item Name	Remarks
781	2712814	7BD/2540-99-750-9752	BRACKET, SCREENWASH CONTAINER	
782	2712815	7BD/2540-99-750-9753	STRAP, WEBBING	
783	2713008	6MT9/4730-99-825-3596	ADAPTOR, ELBOW, PIPE	
784	2713009	6MT9/4730-99-825-3597	ADAPTOR, ELBOW, PIPE	
785	2713089	7BD/5307-99-139-3090	STUD, PLAIN	
786	2713119	7BD/5310-99-827-8244	WASHER, SPRING TENSION	
787	2713121	6MT10/2520-99-824-8210	SHAFT, PROPELLER	
788	2713122	7BD/2510-99-829-2702	SHAFT, PROPELLER	
789	2713123	6MT10/2520-99-831-9440	SHAFT, PROPELLER	
790	2713217	7BD/2540-99-824-8863	PAD, DOOR, VEHICULAR	
791	2713222	7BD/2540-99-824-8862	PAD, DOOR, VEHICULAR	
792	2713250	7BD/2510-99-835-9143	PANEL, ROOF LINING	
793	2713328	7BD/4720-99-832-9481	HOSE, RUBBER	
794	2713343	6MT9/4310-99-721-3685	COMPRESSOR, RECIPROCATING, POWER DRIVEN	
795	2713344	7BD/5330-99-829-8951	GASKET	
796	2713357	7BD/5310-99-721-4545	BUSHING, RUBBER	
797	2713406	7BD/5330-99-829-8237	GASKET	
798	2713407	7BD/2815-99-829-8239	SUPPORT, TIMING COVER	
799	2713481	7BD/5930-99-833-6831	SWITCH, LOCK	
800	2714513	7BD/2805-99-823-9617	CAMSHAFT, ENGINE	
801	2714518	7BD/2815-99-824-9697	BEARING, CAMSHAFT, REAR	
802	2714519	7BD/5340-99-824-9683	PLUG, CUP	
803	2714584	7BD/2530-99-824-8365	CABLE ASSEMBLY, HANDBRAKE	
804	2714589	7BD/2910-99-821-4976	HOSE ASSEMBLY, FUEL	
805	2714591	7BD/2590-99-825-5681	PLATE ASSEMBLY, SPARE WHEEL CARRIER	
806	2714696	7BD/5325-99-828-5513	GROMMET BLANK, NONMETALLIC	
807	2714849	7BD/5930-99-764-3120	ADAPTOR, SWITCH ACTUATOR	
808	2714880	7BD/2540-99-825-0007	LEVER, CONTROL, HAND	
809	2714886	7BD/2540-99-825-0009	TUBE ASSEMBLY	
810	2714888	7BD/2520-99-820-5448	CABLE ASSEMBLY, TRANSFER BOX CONTROL	
811	2714889	7BD/2520-99-825-0010	CABLE, TRANSFER BOX CONTROL	
812	2715628	6MT3/6220-99-825-4181	TURNLIGHT	
813	2715631	6MT3/6220-99-825-4256	TAILLIGHT AND HARNESS ASSEMBLY	
814	2715645	7BD/5930-99-824-8190	BOOT, DUST AND MOISTURE SEAL	
815	2715806	6MT9/2530-99-743-7417	LINK ASSEMBLY	
816	2715827	7BD/4730-99-825-4451	NUT, UNION, PIPE	
817	2715832	7BD/5310-99-137-9325	NUT-BALL SLEEVE TUBE	

I T E M N O	Mfr Part Number	Catalogue Number	Item Name	Remarks
818	2715837	7BD/2520-99-824-8853	BALL JOINT	
819	2715838	7BD/2520-99-830-7742	BALL JOINT	
820	2715839	7BD/2520-99-830-7742	BALL JOINT	
821	2715840	7BD/2520-99-824-8853	BALL JOINT	
822	2715854	7BD/2530-99-824-8879	BUSH, DROP ARM SHAFT	
823	2715874	7BD/2540-99-829-8460	RETAINER, BATTERY	
824	2715882	7BD/5340-99-824-8852	BAND, RETAINING	
825	2715884	7BD/2590-99-824-5239	LEVER, CONTROL, HAND	
826	2715885	7BD/2590-99-824-8360	LEVER, CONTROL, HAND	
827	2715909	7BD/4730-99-819-2037	CONNECTOR, MULTIPLE, FLUID PRESSURE LINE	
828	2715930	7BD/2540-99-764-5144	INSULATOR, PANEL	
829	2716603	7BD/2815-99-824-9692	RING SET, PISTON	
830	2716604	7BD/2815-99-825-2107	RING SET, PISTON	
831	2716605	7BD/2815-99-824-9684	RING SET, PISTON	
832	2716606	7BD/2815-99-824-9686	RING SET, PISTON	
833	2716618	7BD/2805-99-822-7173	RING SET, PISTON, ENGINE	
834	2716619	7BD/2805-99-825-9272	RING, SET, PISTON	
835	2716692	6MT9/2530-99-821-9986	LOCKING SLEEVE	
836	2716693	6MT9/5360-99-821-9985	SPRING, HELICAL, COMPRESSION	
837	2716694	6MT9/2530-99-821-9984	HANDLE, SPRING BRAKE CONTROL	
838	2716695	6MT9/2530-99-821-9996	PARTS KIT, VALVE ASSEMBLY	
839	2716707	6MT4/2920-99-822-9554	PARTS KIT, ELECTRICAL ENGINE STARTER	
840	2716774	G1/5305-99-941-2323	SCREW, MACHINE	
841	2716884	G1/5305-99-136-7167	SCREW, MACHINE	
842	2716896	G1/5305-99-137-0714	SCREW, MACHINE	
843	2716898	6MT10/5360-99-825-6027	SPRING, HELICAL, COMPRESSION	
844	2716925	7BD/2805-99-822-7348	PISTON, INTERNAL COMBUSTION ENGINE	
845	2716926	7BD/2805-99-822-7980	PISTON, INTERNAL COMBUSTION ENGINE	
846	2716927	7BD/2805-99-822-6331	PISTON SET, INTERNAL COMBUSTION ENGINE	
847	2716928	7BD/2805-99-825-9271	PISTON, INTERNAL COMBUSTION ENGINE	
848	2716937	7BD/2815-99-824-9693	PISTON, INTERNAL COMBUSTION ENGINE	
849	2716939	7BD/2815-99-824-3326	PISTON, INTERNAL COMBUSTION ENGINE	
850	2716940	7BD/2815-99-824-3327	PISTON, INTERNAL COMBUSTION ENGINE	
851	2716952	6MT12/2910-99-822-2294	STOP ASSEMBLY, MAXIMUM FUEL	

I T E M N O	Mfr Part Number	Catalogue Number	Item Name	Remarks
852	2716953	6MT12/2910-99-822-2298	LEVER, MAXIMUM STOP	
853	2716955	X3/2910-99-205-6389	INTERLEAF, AUXILIARY, IDLING SPRING	
854	2716957	6MT12/2910-99-822-2754	COUPLING, SHAFT, VERNIER ADJUSTMENT	
855	2716965	6MT12/5360-99-824-9117	SPRING, HELICAL, COMPRESSION	
856	2716980	7CE/5330-99-820-3886	CYLINDER, HYDRAULIC BRAKE, MASTER	
857	2717654	7BD/2540-99-747-9654	LINK ASSEMBLY, DOOR CHECK	
858	2717775	7BD/2540-99-824-7133	PANEL, ROOF LINING	
859	2717887	7BD/2540-99-824-8444	PIPE, STEEL	
860	2717888	7BD/2540-99-824-8445	PIPE, STEEL	
861	2718435	7BD/2940-99-824-5112	ADAPTOR, OIL FILTER	
862	2718546	7BD/2540-99-825-6891	PIPE, STEEL	
863	2718547	7BD/2540-99-825-6892	PIPE, STEEL	
864	2718549	7BD/2540-99-825-6894	PIPE, STEEL	
865	2718550	7BD/2540-99-825-6895	PIPE, STEEL	
866	2718823	7BD/6220-99-829-8307	LIGHT, REGISTRATION PLATE	
867	2718824	6MT3/6220-99-825-4111	LIGHT, NUMBER PLATE	
868	2795831	7BD/5920-99-702-0842	FUSE, INCLOSED LINK	
869	2795832	7BD/5920-99-745-0154	FUSE, INCLOSED LINK	
870	2795833	7BD/5920-99-372-4310	FUSE, INCLOSED LINK	
871	2795834	7BD/5920-99-664-9609	FUSE, INCLOSED LINK	
872	2795835	7BD/5920-99-808-2506	FUSE, INCLOSED LINK	
873	2795837	7BD/5920-99-337-1059	FUSE, INCLOSED LINK	
874	3043112	7BD/6620-99-764-2546	THERMOSTAT, FLOW CONTROL	
875	3043193	7BD/6620-99-777-4002	THERMOSTAT, FLOW CONTROL	
876	3472075	6MT4/2920-99-798-2842	GENERATOR, ENGINE ACCESS	
877	3472316	7BD/2920-99-762-9502	BRUSH SET, ELECTRIC	
878	3472319	7BD/5977-99-793-7738	BRUSH, ELECTRICAL CONTACT	
879	3472330	7BD/2920-99-978-0248	STATOR	
880	3472495	7BD/2920-99-762-9503	SCREW, REGULATOR	
881	3472557	7BD/2920-99-759-4929	REGULATOR, ENGINE GENERATOR	
882	3472622	7BD/5970-99-793-7740	INSULATOR ASSEMBLY	
883	3476310	7BD/2530-99-756-3256	VALVE, CHECK	
884	3702248	7BD/2520-99-832-5768	SPIDER, DIFFERENTIAL	
885	3708817	7BD/2530-99-832-6758	GEAR, BEVEL	
886	4157785	7BD/2540-99-802-1662	STOP, FRICTION UNIT	
887	4576655	7BD/2540-99-822-5332	CLIP, ANTI-VIBRATION	
888	6301124	7BD/5310-99-138-1121	WASHER, FLAT	
889	6303195	7BD/5330-99-832-8838	GASKET	
890	6303254	7BD/5330-99-833-5200	GASKET	
891	6304212	7BD/5340-99-833-0092	CLIP, RETAINING	
892	6304283	7BD/5305-99-802-1778	SCREW, SET	

I T E M N O	Mfr Part Number	Catalogue Number	Item Name	Remarks
893	6304552	7BD/5340-99-137-1991	PLUG, PROTECTIVE, DUST AND MOISTURE SEAL	
894	6304565	G1/5305-99-121-6971	SCREW, MACHINE	
895	6305129	7BD/5325-99-825-3422	GROMMET BLANK, NONMETALLIC	
896	6305504	6MT3-6250-99-803-3234	LAMPHOLDER	
897	6305509	6MT3/5330-99-408-2259	GASKET	
898	6305672	7BD/2530-99-832-8826	SPRING, HELICAL, COMPRESSION	
899	6305688	7BD/2815-99-813-5943	LIFTING PLATE	
900	6305726	7BD/5320-99-137-1023	RIVET, TUBULAR	
901	6305727	7BD/5320-99-137-1021	RIVET, TUBULAR	
902	6305866	7BD/2520-99-832-6576	RING, DAMPER, MAINSHAFT	
903	6305867	7BD/9320-99-832-6577	RUBBER STRIP	
904	6306014	7BD/2805-99-802-1242	SHIM	
905	6306015	7BD/2805-99-802-1246	SHIM	
906	6306016	7BD/5365-99-895-0089	SHIM	
907	6306017	7BD/2805-99-802-1247	SHIM	
908	6306018	7BD/2805-99-802-1244	SHIM	
909	6306019	7BD/2805-99-802-1248	SHIM	
910	6306020	7BD/5365-99-895-0094	SHIM	
911	6306021	7BD/5365-99-895-0095	SHIM	
912	6306202	6MT12/2910-99-814-6370	GUIDE BLOCK	
913	6308993	7BD/5305-99-833-0533	SCREW, GRUB	
914	6309143	7BD/2920-99-830-6476	BRAID, WIRE	
915	6309151	6MT3/5940-803-1956	FERRULE, ELECTRICAL CONDUCTOR	
916	6309405	6MT12/4730-99-814-6375	ADAPTOR, STRAIGHT, PIPE	
917	6309409	6MT12/2910-99-814-6374	VALVE, GOVERNOR, IDLING	
918	6310193	7BD/2805-99-833-1203	GUIDE, ENGINE POPPET VALVE	
919	6310763	6MT12/5310-99-881-8262	WASHER, FLAT	
920	6310850	7BD/5340-99-833-0030	CLIP, SPRING TENSION	
921	6311107	7BD/5310-99-777-5764	NUT, PLAIN, HEXAGON	
922	6311334	7BD/5365-99-874-0712	SPACER, PLATE	
923	6311343	7BD/5340-99-833-1209	CLIP, RETAINING	
924	6311391	6MT7/3110-99-895-3746	BEARING, TAPERED, ROLLER	
925	6311421	7BD/2530-99-832-8788	DEFLECTOR, DIRT AND LIQUID	
926	6311422	6MT1/5330-99-895-3785	SEAL, PLAIN, ENCASED	
927	6312708	6MT3/6210-99-812-4313	BEZEL, LENS MOUNTING	
928	6313693	7BD/5325-822-2852	GROMMET, RUBBER	
929	6313799	6MT3/5310-803-3877	NUT, SHEET SPRING	
930	6313822	7BD/5307-832-6538	STUD, PLAIN	
931	6313824	6MT10/2520-99-836-9019	YOKE, UNIVERSAL JOINT	
932	6314168	7BD/5310-99-832-9163	WASHER, FLAT	
933	6314585	7BD/5325-99-832-6700	GROMMET, RUBBER	
934	6315014	7BD/2540-99-832-9017	PAD, PEDAL	

I T E M N O	Mfr Part Number	Catalogue Number	Item Name	Remarks
935	6315108	7BD/2815-99-740-8062	TUBE, BREATHER, ENGINE	
936	6315185	7BD/5307-99-832-6582	STUD, PLAIN	
937	6315186	7BD/5330-99-832-6583	GASKET	
938	6315390	6MT12/4730-99-807-7520	NUT, UNION, PIPE	
939	6315398	6MT12/2910-99-807-7529	CAP NUT, FUEL INJECTOR	
940	6315695	6MT9/2530-99-800-2464	BOOT, STEERING SOCKET ASSEMBLY	
941	6315696	7BD/2530-99-895-1395	BOOT, STEERING CONNECTING ROD	
942	6315705	6MT12/2910-99-807-8621	GASKET, CARBURETOR ADAPTOR	
943	6315714	6MT12/2910-99-807-8620	ADAPTOR, SPACING, CARBURETOR	
944	6317119	7BD/5360-99-774-3774	SPRING, HELICAL, EXTENSION	
945	6317238	7BD/4730-99-874-1402	CONNECTOR, MULTIPLE, FLUID PRESSURE LINE	
946	6317742	7BD/5315-99-833-1242	PIN, STRAIGHT, HEADLESS	
947	6317880	7BD/2530-99-832-8775	GASKET	
948	6318165	7BD/2590-99-832-9269	PAWL	
949	6319717	7BD/5365-99-781-2424	SPACER, SLEEVE	
950	6319827	6MT4/2920-99-804-1878	PINION AND SLEEVE	
951	6320676	7BD/5310-99-832-4165	WASHER, FLAT	
952	6321571	6MT1/5340-99-814-7924	RETAINER, HOSE	
953	6322449	7BD/2805-99-895-0130	GASKET	
954	6322484	7BD/2805-99-833-1261	PUSH ROD, ENGINE POPPET VALVE	
955	6322486	7BD/2805-99-833-1259	BRACKET, ROCKER SHAFT	
956	6323688	7BD/3120-99-832-6573	BEARING, SLEEVE	
957	6323852	7BD/2930-99-833-2385	IMPELLER, PUMP, CENTRIFUGAL	
958	6323912	Z37/5940-99-105-9100	TERMINAL, QUICK DISCONNECT	
959	6323913	7BD/5940-99-895-9062	TERMINAL, LUG	
960	6324007	7BD/2540-99-832-4347	SPRING, HELICAL, COMPRESSION	
961	6325004	7BD/2520-99-832-6619	SPRING, SECOND SPEED SYNCHRO	
962	6325210	7BD/2520-99-832-6585	DOWEL, BREATHER TUBE	
963	6325305	7BD/5330-99-874-0720	GASKET	
964	6325310	7BD/5310-99-832-6694	WASHER, KEY	
965	6325897	7BD/2520-99-832-6579	DRIVE SLEEVE ASSEMBLY, FRONT HUB	
966	6326630	7BD/6220-99-813-5247	ESCUTCHEON, LIGHTING SWITCH	
967	6326638	6MT4/5940-99-820-2026	FERRULE, ELECTRICAL CONDUCTOR	
968	6327262	7BD/2805-99-874-0721	MANIFOLD, EXHAUST, ENGINE	
969	6327431	7BD/2910-99-813-6393	LOCKING PIECE, FILLER CAP	

I T E M N O	Mfr Part Number	Catalogue Number	Item Name	Remarks
970	6327472	7BD/2530-99-814-0015	PLATE, REINFORCING	
971	6327566	7BD/2805-873-8125	CAMSHAFT, ENGINE	
972	6327709	7BD/2805-895-4358	PLUG, OIL DUCT, FRONT	
973	6327788	7BD/2940-99-802-6471	ADAPTOR, INTAKE AIR FILTER	
974	6328126	G1/5306-99-941-0330	BOLT, MACHINE	
975	6328672	7BD/2510-99-762-0995	ROOF PANEL	
976	6328999	7BD/5310-99-814-0127	WASHER, FLAT	
977	6329368	7BD/5340-99-819-3150	MOUNT RESILIENT	
978	6329555	7BD/2540-99-802-1789	BRACKET, DOOR WEDGE	
979	6329577	7BD/2510-99-874-0726	GLASS, DOOR DROP LIGHT	
980	6329580	7BD/2540-99-874-0727	CHANNEL, LIFT, VEHICLE WINDOW	
981	6329582	7BD/5330-99-874-0728	RUBBER SPECIAL SHAPE	
982	6329620	7BD/2540-99-802-1773	DEFLECTOR, DIRT AND LIQUID	
983	6329635	7BD/5340-99-802-1781	STRIKE, CATCH	
984	6329648	7BD/2510-99-895-0432	BUMPER, RUBBER	
985	6329657	7BD/5305-99-802-1790	SCREW, SET	
986	6329686	7BD/2590-99-978-0524	PANEL ASSEMBLY, RIGHT-HAND	
987	6329687	7BD/2590-99-978-0525	PANEL ASSEMBLY, LEFT-HAND	
988	6329701	7BD/5330-99-825-3421	SEAL, EDGE STRIP	
989	6329702	7BD/5330-99-820-7017	RETAINER, PACKING	
990	6329703	7BD/5330-99-895-2656	FELT, MECHANICAL, PREFORMED	
991	6329802	7BD/2510-99-782-8146	PANEL, BACK, OUTER-UPPER	
992	6329838	7BD/2510-99-825-6841	PANEL, WINDSHIELD PILLAR	
993	6329877	7BD/2510-99-825-6699	EXTENSION, ROOF SIDE RAIL	
994	6329883	7BD/5310-99-802-1514	NUT ASSEMBLED WASHER	
995	6329903	7BD/5330-99-874-0735	SEAL, RUBBER SPECIAL SHAPED SECTION	
996	6329999	7BD/2510-99-874-0738	SEAL, RUBBER SPECIAL SHAPED SECTION	
997	6330261	7BD/2510-99-721-4512	PANEL	
998	6330430	7BD/2510-99-830-7854	PANEL, SILL	
999	6330431	7BD/2510-99-830-7855	PANEL, SILL	
1000	6330484	7BD/2510-99-825-6860	PANEL ASSEMBLY, SILL	
1001	6330485	7BD/2510-99-825-6861	PANEL ASSEMBLY, SILL	
1002	6330585	7BD/2540-99-819-5468	LEVER, REMOTE CONTROL	
1003	6330630	7BD/2520-99-832-6674	GEAR, HELICAL	
1004	6330631	7BD/2520-99-832-6675	GEAR, HELICAL	
1005	6330649	7BD/2540-99-819-5469	SHAFT, STRAIGHT	
1006	6330666	6MT3/6220-99-803-3878	ADAPTOR, HEADLIGHT	
1007	6330700	7BD/5365-99-832-9104	SPACER, SLEEVE	
1008	6330701	7BD/5365-99-832-9105	SPACER, SLEEVE	
1009	6330703	7BD/5340-99-832-9082	FORK END	
1010	6330712	7BD/2530-99-895-2571	LEVER, CONTROL, HAND	
1011	6330713	7BD/2530-99-814-8182	LEVER, CONTROL, HAND	

ITEM NO	Mfr Part Number	Catalogue Number	Item Name	Remarks
1012	6330717	7BD/2520-99-832-6673	GEAR, HELICAL	
1013	6330780	7BD/2510-99-874-1258	MOUNT, RESILIENT	
1014	6331000	7BD/2520-99-808-3127	SUPPORT, BALL, CLUTCH FORK	
1015	6331024	7BD/2510-99-874-0741	SHACKLE, ENGINE SUPPORT	
1016	6331031	7BD/5306-99-895-0581	BOLT, SHOULDER	
1017	6331178	7BD/2510-99-874-0742	SHACKLE, ENGINE SUPPORT	
1018	6331287	6MT4/5930-99-804-9644	SWITCH	
1019	6331307	7BD/2930-99-802-1723	BRACKET, DOUBLE ANGLE	
1020	6331363	7BD/2805-99-833-5300	OUTLET, ENGINE COOLANT	
1021	6331418	7BD/5340-99-809-7218	CLIP, SPRING TENSION	
1022	6331469	7BD/2540-99-819-5467	PEDAL CONTROL	
1023	6331491	7BD/2530-99-874-0743	TORQUE PLATE, SHOE TYPE BRAKE	
1024	6331584	7BD/2510-99-830-7856	ROCKER FILLER, BODY LOCK	
1025	6331585	7BD/2510-99-830-7857	ROCKER FILLER, BODY LOCK	
1026	6331600	7BD/5310-99-802-1616	WASHER, FLAT	
1027	6331720	7BD/5340-99-895-2701	HINGE, BUTT	
1028	6331774	7BD/2510-99-760-3263	PANEL, FAIRING	
1029	6331775	7BD/2510-99-760-3264	PANEL, FAIRING	
1030	6331939	7BD/2520-99-895-0323	CONNECTING LINK, RIGID	
1031	6331945	7BD/2540-99-819-8138	BRACKET ASSEMBLY, CLUTCH RELAY	
1032	6331954	7BD/5340-99-895-0324	MOUNT, RESILIENT	
1033	6331957	6MT4/5975-99-805-0311	CABLE NIPPLE, ELECTRICAL	
1034	6331973	7BD/5325-99-833-4671	GROMMET, RUBBER	
1035	6332054	7BD/2990-99-824-0551	CABLE ASSEMBLY, IDLING CONTROL	
1036	6332063	7BD/2590-99-874-0744	ROD ASSEMBLY, PULL, STOP	
1037	6332066	7BD/3040-99-808-3343	CASING, FLEXIBLE SHAFT ASSEMBLY	
1038	6332215	7BD/2520-99-832-6653	BEARING, SLEEVE	
1039	6332216	7BD/3120-99-832-6655	WASHER, THRUST	
1040	6332217	7BD/5365-99-832-6656	RING, RETAINING	
1041	6332218	7BD/5365-99-832-6657	RING, RETAINING	
1042	6332219	7BD/5365-99-832-6658	RING, RETAINING	
1043	6332236	7BD/2520-99-874-0745	LEVER, REMOTE CONTROL	
1044	6332237	7BD/2540-99-802-2718	LEVER, REMOTE CONTROL	
1045	6332244	7BD/2530-99-832-9095	ADJUSTER, BRAKE EXPANDER	
1046	6332370	7BD/2520-99-874-0746	SPRING, HELICAL, EXTENSION	
1047	6332516	7BD/2510-99-734-6405	CROSSMEMBER, FRAME, VEHICULAR	
1048	6332517	7BD/2520-99-895-0217	ROD ASSEMBLY, CLUTCH PUSH, FRONT	
1049	6332921	G1/5310-99-813-6355	NUT, SHEET SPRING	
1050	6332926	7BD/5330-99-874-0750	GASKET	
1051	6332946	X5/6240-99-995-1256	LAMP, FILAMENT	
1052	6332977	7BD/2590-99-813-0022	LEAD, ELECTRICAL	

I T E M N O	Mfr Part Number	Catalogue Number	Item Name	Remarks
1053	6333837	6MT3/6220-99-802-6857	DIRECTIONAL LIGHT, VEHICULAR	
1054	6333877	6MT3/5330-99-803-4156	GASKET	
1055	6333879	G1/5305-99-137-1762	SCREW, MACHINE	
1056	6334021	7BD/2990-99-874-0751	PIPE, EXHAUST	
1057	6334046	7BD/5310-99-833-5275	WASHER, FLAT	
1058	6334429	7BD/5305-99-138-3951	SCREW, MACHINE	
1059	6334591	7BD/5320-99-802-1787	RIVET, TUBULAR	
1060	6335060	6MT12/2910-99-813-0222	ADAPTOR, PIPE COUPLING	
1061	6335377	7BD/5340-99-813-5682	MOUNT, RESILIENT	
1062	6335388	7BD/2930-99-874-0752	INLET PIPE, RADIATOR	
1063	6335619	7BD/2805-99-833-3299	HOUSING, THERMOSTAT	
1064	6335759	7BD/5310-99-833-1267	WASHER, FLAT	
1065	6336003	7BD/5340-99-804-4035	CLIP, HANDLE RETAINING	
1066	6336233	7BD/2510-99-725-8065	DUCT, AIR, VEHICULAR	
1067	6336377	7BD/2990-99-824-9569	INSULATOR	
1068	6336653	7BD/2930-99-819-8145	CARRIER ASSEMBLY, RADIATOR	
1069	6336731	7BD/2520-99-874-0754	BEARING, SLEEVE	
1070	6336891	7BD/4730-99-874-0756	INVERTED NUT, UNION, PIPE	
1071	6336897	7BD/5310-99-832-6630	NUT, PLAIN, HEXAGON	
1072	6336941	7BD/2815-99-802-2695	COVER PLATE, ACCESS	
1073	6337251	7BD/2530-99-832-9171	HANDLE AND PLUNGER, TRAILING BRAKE CYLINDER	
1074	6337280	6MT10/2520-99-881-8188	CUP, OUTER, SPRING	
1075	6337762	7BD/5340-99-895-2393	HANDLE, BOW	
1076	6337772	7BD/2510-99-825-6694	PILLAR ASSEMBLY, BODY HINGE	
1077	6337773	7BD/2510-99-825-6693	PILLAR ASSEMBLY, BODY HINGE	
1078	6337890	7BD/2540-99-813-6361	WING, NUT	
1079	6338034	7BD/2510-99-782-8147	PANEL ASSEMBLY, BACK, LOWER	
1080	6338161	7BD/5340-99-830-4252	BRACKET, HINGE	
1081	6338494	7BD/5365-99-813-6333	KNOB, VENTILATOR OPERATING	
1082	6338595	7BD/5340-99-802-1788	CLIP, SPRING, TENSION	
1083	6338878	7BD/2510-99-830-7852	SUPPORT STAY, FRONT PANEL	
1084	6338879	7BD/2510-99-830-7853	SUPPORT STAY, FRONT PANEL	
1085	6339033	7BD/4730-99-832-9172	ADAPTOR, STRAIGHT, PIPE	
1086	6339173	7BD/5305-99-832-9094	SCREW, MACHINE	
1087	6339208	6MT1/5365-99-832-9097	RING, RETAINING	
1088	6339210	7BD/2530-99-832-9096	ADJUSTER, BRAKE CYLINDER	
1089	6339323	7BD/5340-99-874-0757	FORK, END	
1090	6339325	7BD/4730-99-802-8875	CONNECTOR, MULTIPLE, FLUID PRESSURE LINE	
1091	6339326	7BD/4730-99-874-0758	BOLT, FLUID PASSAGE	

I T E M N O	Mfr Part Number	Catalogue Number	Item Name	Remarks
1092	6339493	7BD/5340-99-874-0759	MOUNT, RESILIENT	
1093	6339498	7BD/5306-99-874-0725	BOLT, MACHINE	
1094	6339962	7BD/2805-99-802-7548	COVER, ROCKER, ENGINE	
1095	6340038	6MT3/6220-99-802-5991	LIGHT, DOME	
1096	6340039	6MT3/6220-99-825-7554	LIGHT, DOME	
1097	6340289	G1/5306-99-941-0313	BOLT, MACHINE	
1098	6340355	7BD/2540-99-814-7966	BELL CRANK	
1099	6340513	X5/6240-99-995-2318	LAMP, FILAMENT	
1100	6340514	X5/6240-99-995-9145	LAMP, FILAMENT	
1101	6340530	7BD/5306-99-802-1500	BOLT, MACHINE	
1102	6340531	7BD/5315-99-802-1499	PIN, SPRING	
1103	6340763	7BD/2805-99-802-1266	GUIDE DIPSTICK	
1104	6341702	7BD/9320-99-802-1797	RUBBER SPECIAL SHAPED SECTION	
1105	6341706	7BD/2540-99-813-6293	CLIP, DOOR SEAL	
1106	6342274	7BD/5310-99-874-0763	NUT, PLAIN, CAP	
1107	6342312	7BD/2520-99-802-4195	CASING, CLUTCH	
1108	6342352	7BD/5365-99-802-1717	BUSHING, RUBBER	
1109	6342396	7BD/2815-99-832-6831	SLEEVE, NOZZLE HOLDER	
1110	6342513	7BD/2805-99-809-4912	COVER PLATE, ACCESS	
1111	6342514	7BD/5310-99-874-1724	NUT, SPECIAL, COVER, PLATE	
1112	6342605	6MT10/5330-99-832-6638	GASKET	
1113	6342732	6MT4/5975-99-805-0379	CABLE NIPPLE, ELECTRICAL	
1114	6342827	7BD/5340-99-825-8734	CLIP, SPRING TENSION	
1115	6343109	6MT3/6220-99-803-3989	LENS, LIGHT	
1116	6343111	Z42/5975-99-805-6457	NUT, COUPLING, ELECTRICAL CONDUIT	
1117	6343113	6MT4/5310-99-805-6455	WASHER, FLAT	
1118	6343151	6MT3/6220-99-803-3485	LENS, LIGHT	
1119	6343209	7BD/2910-99-813-9564	CLIP, INJECTION PIPE	
1120	6343210	7BD/2910-99-813-9566	CLIP, INJECTION PIPE	
1121	6343211	7BD/5975-99-813-9567	BLOCK, LOCATING	
1122	6343212	7BD/2910-99-802-2713	CLIP, INJECTION PIPE, TAPPED	
1123	6343346	6MT12/5310-99-807-8938	NUT, PLAIN, HEXAGON	
1124	6343661	7BD/2540-99-802-1658	BRACKET, FRICTION UNIT	
1125	6343669	7BD/2510-99-802-1644	WINDOW, VEHICULAR	
1126	6343670	7BD/2510-99-874-0802	WEATHER STRIP	
1127	6343671	7BD/9320-99-802-1648	RUBBER STRIP	
1128	6343672	7BD/2540-99-802-1881	CHANNEL, VEHICLE WINDOW	
1129	6343673	7BD/2540-99-802-1882	CHANNEL, VEHICLE WINDOW	
1130	6343684	7BD/2510-99-895-0501	CHANNEL ASSEMBLY, DOOR DIVISION	
1131	6343685	7BD/2510-99-895-0502	CHANNEL ASSEMBLY, DOOR DIVISION	
1132	6343698	7BD/2540-99-802-1649	HANDLE, VENTILATOR WINDOW	
1133	6343699	7BD/2540-99-802-1650	HANDLE, VENTILATOR WINDOW	
1134	6344374	7BD/2590-99-978-0250	PANEL EXTENSION	

I T E M N O	Mfr Part Number	Catalogue Number	Item Name	Remarks
1135	6344521	G1/5306-99-941-6187	BOLT, MACHINE	
1136	6344523	G1/5305-99-941-0527	SCREW, CAP, HEXAGON HEAD	
1137	6344524	W20/5310-99-307-3011	WASHER, KEY	
1138	6344756	7BD/2510-99-874-0766	MOUNT, RESILIENT	
1139	6345161	7BD/5340-99-825-4900	BAND, RETAINING	
1140	6345513	6MT10/2520-99-881-7914	CLUTCH HALF, FRICTION	
1141	6345553	7BD/5310-99-895-2226	WASHER, FLAT	
1142	6345645	G1/5306-99-941-4402	BOLT, MACHINE	
1143	6345646	7BD/2530-99-814-8198	LEVER, REMOTE CONTROL	
1144	6345647	7BD/2530-99-814-8199	LEVER, REMOTE CONTROL	
1145	6345958	6MT13/6220-99-820-1960	LENS, LIGHT	
1146	6346087	7BD/2530-99-874-0768	BUTTON, HANDBRAKE PAWL	
1147	6346182	7BD/2530-99-814-8353	BRACKET, EYE, ROTATING SHAFT	
1148	6346183	7BD/2530-99-814-8354	BRACKET, EYE, ROTATING SHAFT	
1149	6346185	7BD/2530-99-874-0769	QUADRANT, CONTROL LEVER	
1150	6346186	7BD/2530-99-793-2688	GUARD, HANDBRAKE QUADRANT	
1151	6346211	7BD/5307-99-832-6679	STUD, PLAIN	
1152	6346323	7BD/2520-99-874-0770	SPRING, HELICAL EXTENSION	
1153	6346375	6MT3/6220-99-803-4154	LENS, LIGHT	
1154	6346722	7BD/5310-99-802-1654	NUT, PLAIN, HEXAGON	
1155	6346984	7BD/2540-99-802-1656	PLATE, DETENT	
1156	6347454	6MT9/5330-99-809-5754	GASKET	
1157	6347522	6MT9/2530-99-833-9421	SPRING, CLICKER	
1158	6347783	7BD/5340-99-802-8850	CLIP, RETAINING	
1159	6347820	7BD/5305-99-814-0095	SCREW, MACHINE	
1160	6348108	6MT4/5325-99-803-6994	GROMMET, NONMETALLIC	
1161	6348167	6MT1/5120-99-828-4316	JACK, HYDRAULIC, HAND	
1162	6348168	6MT1/5120-99-838-5737	HANDLE, HYDRAULIC JACK	
1163	6348282	7BD/2805-99-833-1293	MANIFOLD, EXHAUST, ENGINE	
1164	6348283	7BD/2805-99-833-1294	MANIFOLD, EXHAUST, ENGINE	
1165	6348284	7BD/2805-99-833-1295	MANIFOLD, EXHAUST, ENGINE	
1166	6348287	7BD/5340-99-873-7967	CLIP, SPRING TENSION	
1167	6348488	7BD/5970-99-809-1073	INSULATOR, WASHER	
1168	6349252	7BD/2530-99-874-0771	PLATE, RETAINING, BEARING	
1169	6349268	7BD/2540-99-820-1965	BASE, SIDELIGHT TURNLIGHT	
1170	6349482	7BD/2510-99-813-9789	BRACKET, ENGINE MOUNTING	
1171	6349492	7BD/2920-99-874-0772	SUPPORT BRACKET ASSEMBLY	
1172	6349500	7BD/5310-99-874-0774	WASHER, FLAT	
1173	6349502	7BD/5365-99-813-9791	SPACER, SLEEVE	
1174	6349694	7BD/2520-99-832-6697	GEAR, HELICAL	
1175	6350003	7BD/2530-99-874-0776	SPRING, RELAY LEVER, RETURN	

ITEM NO	Mfr Part Number	Catalogue Number	Item Name	Remarks
1176	6350119	7BD/2530-99-895-4105	SEAL, OIL, TRACTA JOINT HOUSING	
1177	6350174	7BD/2990-99-824-0455	CABLE ASSEMBLY, IDLING CONTROL	
1178	6350246	7BD/2540-99-824-1372	SOCKET, BALL JOINT	
1179	6350412	7BD/5340-99-824-6479	COVER PLATE, ACCESS	
1180	6350413	7BD/5340-99-824-6714	COVER PLATE, ACCESS	
1181	6350422	7BD/5340-99-895-0584	LOCK, RIM	
1182	6350884	7BD/2510-99-825-6850	PANEL, BODY HINGE	
1183	6350885	7BD/2510-99-825-6851	PANEL, BODY HINGE	
1184	6351268	7BD/5325-99-814-6384	GROMMET BLANK, NONMETALLIC	
1185	6351269	7BD/5340-99-137-1978	PLUG, PROTECTIVE, DUST AND MOISTURE SEAL	
1186	6351513	7BD/2530-99-874-0777	SPRING, HELICAL, COMPRESSION	
1187	6352097	7BD/2590-99-820-9538	LEAD, ELECTRICAL	
1188	6352236	6MT3/6220-99-803-3994	LENS, TAILLIGHT-STOPLIGHT	
1189	6352794	7BD/2910-99-802-7146	HOUSING, MECHANICAL DRIVE	
1190	6353196	6MT4/5340-99-822-5453	PLUG, EXPANSION	
1191	6353695	6MT12/2910-99-820-2295	NEEDLE VALVE, CARBURETOR	
1192	6353758	6MT3/6210-99-802-5992	LENS, DOME LIGHT	
1193	6353760	6MT3/6220-99-804-6505	LIGHT UNIT, HEADLIGHT	
1194	6353787	6MT3/6220-99804-8081	RIM, LIGHT UNIT SEATING	
1195	6353838	6MT3/6220-99-805-5696	GASKET	
1196	6353840	6MT3/5305-99-803-5060	SCREW, SET	
1197	6354271	7BD/2230-99-763-8465	PANEL-FRONT LINING-SIDE	
1198	6354615	7BD/2540-99-825-1991	RETAINER, JACK	
1199	6354710	7BD/2510-99-748-6589	PANEL ASSEMBLY, ROOF	
1200	6355088	7BD/5920-99-813-9228	FUSE BOX	
1201	6355090	7BD/5920-99-813-9231	BOOT, DUST AND MOISTURE SEAL	
1202	6355391	7BD/2805-99-802-6648	GEAR, HELICAL	
1203	6355392	7BD/2805-99-802-6647	GEAR, HELICAL	
1204	6355398	7BD/5340-99-800-8910	CLIP, SPRING, TENSION	
1205	6355490	7BD/5306-99-814-8510	EYEBOLT	
1206	6355688	7BD/2510-99-813-6383	COWL, RADIATOR	
1207	6355806	7BD/5320-99-137-1022	RIVET, TUBULAR	
1208	6355963	7BD/5340-99-895-2280	LOCKING PLATE, NUT AND BOLT	
1209	6355965	7BD/5307-99-802-2697	STUD, PLAIN	
1210	6356035	7BD/2530-99-833-5182	BOOT, DUST AND MOISTURE SEAL	
1211	6357026	7BD/2520-99-830-6582	PUSH ROD	
1212	6357065	7BD/4820-99-818-8207	VALVE, CHECK	
1213	6357155	7BD/5340-99-813-9239	CLIP, SPRING TENSION	
1214	6357223	7BD/5310-99-874-0905	WASHER, FLAT	

I T E M N O	Mfr Part Number	Catalogue Number	Item Name	Remarks
1215	6357285	7BD/2815-99-809-7689	SUMP, ENGINE	
1216	6357421	7BD/5340-99-809-7201	CLIP, SPRING TENSION	
1217	6357549	7BD/2805-99-777-3517	COVER, OIL PUMP	
1218	6357670	6MT1/5340-99-813-9237	CLIP, SPRING TENSION	
1219	6357785	7BD/5310-99-832-9235	NUT, PLAIN, ROUND	
1220	6357839	7BD/2510-99-813-6278	WASHER, REINFORCING, CAB MOUNTING	
1221	6357868	7BD/5306-99-135-7404	BOLT, MACHINE	
1222	6358098	7BD/5325-99-804-4036	GROMMET, PLASTICS	
1223	6358111	7BD/4730-99-802-2715	CONNECTOR, MULTIPLE, FLUID PRESSURE LINE	
1224	6358112	7BD/4730-99-802-2716	BOLT, FLUID PASSAGE	
1225	6358119	7BD/5310-99-832-9098	WASHER, RECESSED	
1226	6358148	7BD/5340-99-804-2569	CLIP, SPRING TENSION	
1227	6358316	7BD/5325-99-832-9002	GROMMET, PLASTICS	
1228	6358371	6MT1/5340-99-813-9236	CLIP, EDGE	
1229	6358530	6MT1/4730-99-943-9377	FITTING, LUBRICATION	
1230	6358830	7BD/2910-99-967-8161	PLUG, COUPLING	
1231	6358831	6MT12/5310-99-802-7151	WASHER, FLAT	
1232	6358832	6MT1/5330-99-802-7150	RING, SEALING, TOROIDAL	
1233	6358833	6MT1/5330-99-807-8815	SEAL, PLAIN	
1234	6358834	6MT1/5330-99-943-7517	RING, SEALING, TOROIDAL	
1235	6358841	7BD/5310-99-832-6705	WASHER, FLAT	
1236	6358889	6MT3/6220-99-910-9188	HEADLIGHT	
1237	6358890	X5/6240-99-995-4508	LAMP, INCANDESCENT	
1238	6358919	7BD/5307-99-895-2357	STUD, PLAIN	
1239	6359056	7BD/5306-99-829-8462	BOLT, CLAMP, BATTERY	
1240	6360164	7BD/2805-99-874-0792	SPRING, HELICAL, EXTENSION	
1241	6360218	7BD/2815-99-802-2691	PIN, GUDGEON	
1242	6360248	6MT3/6220-99-803-3677	DIRECTIONAL LIGHT, VEHICULAR	
1243	6360249	X5/6240-99-995-3296	LAMP, INCANDESCENT	
1244	6360250	6MT3/6220-99-803-2620	LIGHT, REGISTRATION PLATE	
1245	6360252	7BD/6220-99-788-6376	SIDELIGHT	
1246	6360253	7BD/6220-99-824-8887	LIGHT ASSEMBLY, STOP-TAIL	
1247	6360256	6MT3/6220-99-803-4153	TURNLIGHT	
1248	6360258	7BD/4710-99-816-6242	PIPE, STEEL	
1249	6360375	7BD/5340-99-830-2467	CLAMP, LOOP	
1250	6360376	7BD/2930-99-802-1472	PIPE, STEEL	
1251	6360415	7BD/2510-99-813-6385	BRACKET, DOUBLE ANGLE	
1252	6360562	7BD/5305-99-895-2351	SCREW, SET	
1253	6360663	7BD/5365-99-832-9106	SPACER, SLEEVE	
1254	6360666	7BD/5365-99-832-9107	SPACER, SLEEVE	
1255	6360765	7BD/5310-99-833-5254	NUT, SLEEVE	
1256	6360793	7BD/2530-99-814-0869	DEFLECTOR, DIRT AND LIQUID	
1257	6360977	7BD/5325-99-832-9197	GROMMET, RUBBER	

I T E M N O	Mfr Part Number	Catalogue Number	Item Name	Remarks
1258	6360984	7BD/2530-99-873-9925	ADJUSTER, STEERING GEAR LASH	
1259	6361072	6MT9/2530-99-833-7689	BLEEDER VALVE, HYDRAULIC SYSTEM	
1260	6361186	6MT4/6220-99-793-7830	LEVER, INDICATOR SWITCH	
1261	6361190	6MT4/5930-99-762-6432	SWITCH, SLIDE	
1262	6361191	6MT3/5930-99-820-1962	PARTS KIT, INDICATOR SWITCH ADJUSTER	
1263	6361307	6MT9/2530-99-837-8842	LINING, FRICTION	
1264	6362203	7BD/5340-99-813-6026	CLIP, DOUBLE BAND	
1265	6362247	7BD/2510-99-895-0444	LINK ASSEMBLY DOOR CHECK AND HOLD OPEN	
1266	6362457	7BD/2510-99-825-6852	EMBLEM, FRONT PANEL	
1267	6362465	7BD/2540-99-873-9926	RETAINER, STEERING GEAR LASH ADJUSTER	
1268	6362466	7BD/5340-99-873-9927	DISC, SOLID, PLAIN	
1269	6362499	7BD/2520-99-874-0483	CASING, GEARBOX	
1270	6362553	7BD/2540-99-802-5920	PEDAL, CONTROL	
1271	6362781	7BD/5340-99-830-4260	MOUNT, RESILIENT	
1272	6364095	6MT1/5340-99-813-9232	CLIP, EDGE	
1273	6364113	7BD/5920-99-824-8877	COVER FUSE	
1274	6365183	7BD/5306-99-832-9205	BOLT, MACHINE	
1275	6365381	7BD/2590-99-811-0981	RETAINER, BATTERY	
1276	6365474	7BD/2510-99-813-6277	PLATE, REINFORCING, CAB MOUNTING	
1277	6365562	7BD/2540-99-802-2728	BOOT, DUST AND MOISTURE SEAL	
1278	6365968	7FD/3120-99-895-4384	GROMMET, CROSS SHAFT SEAL, INNER	
1279	6366002	7BD/5340-99-825-3424	PLUG, BLANKING	
1280	6366003	7BD/5340-99-825-3423	PLUG, BLANKING	
1281	6366024	7BD/4720-99-825-0296	HOSE, PREFORMED	
1282	6366340	7BD/2940-99-833-3559	CLAMP, AIR CLEANER	
1283	6366699	7BD/4730-99-874-0808	ADAPTOR, STRAIGHT, PIPE	
1284	6366744	7BD/5340-99-819-1505	PLUG, EXPANSION	
1285	6366747	7BD/2805-99-833-5295	MANIFOLD, INDUCTION, ENGINE	
1286	6366987	7BD/2930-99-802-5375	HOSE, PREFORMED	
1287	6367011	7BD/5930-99-813-6590	LOCKING RING, IGNITION SWITCH	
1288	6367035	7BD/5310-99-873-9430	NUT, PLAIN, ROUND	
1289	6367062	7BD/2590-99-874-0810	ADAPTOR, PIPE	
1290	6367093	7BD/2530-99-874-0811	BRAKE, DRUM AND UNIVERSAL JOINT FLANGE ASSEMBLY, TRANSMISSION	
1291	6367582	7BD/2520-99-832-6693	GEAR AND SHAFT ASSEMBLY, HELICAL	
1292	6367830	7BD/2530-99-874-0818	DROP ARM, STEERING	

I T E M N O	Mfr Part Number	Catalogue Number	Item Name	Remarks
1293	6367965	7BD/5306-99-813-6265	BOLT, MACHINE	
1294	6367966	7BD/2520-99-811-3114	SHAFT ASSEMBLY, FRONT AXLE	
1295	6367967	7BD/2520-99-874-0819	SHAFT ASSEMBLY, FRONT AXLE	
1296	6368083	7BD/5340-99-751-8609	BUSHING, PLASTICS	
1297	6368084	7BD/5310-99-724-4449	WASHER, FLAT	
1298	6368091	G1/5320-99-130-2145	RIVET, BLIND	
1299	6368175	7BD/5340-99-802-2748	SPRING, HELICAL, EXTENSION	
1300	6368455	6MT1/5365-99-914-0215	RING, RETAINING	
1301	6369136	7BD/2510-99-824-2133	PLATE, DOOR STRIKER ADJUSTING	
1302	6370199	7BD/4730-99-802-1777	LUBRICATING NIPPLE	
1303	6370271	7BD/2540-99-832-9266	GASKET	
1304	6370305	7BD/2540-99-802-1776	HANDLE, DOOR	
1305	6370368	7BD/5340-99-895-0557	LOCK, FLUSH	
1306	6370369	7BD/5340-99-895-0558	LOCK, FLUSH	
1307	6370817	7BD/5305-99-814-0130	SCREW, SET	
1308	6370935	7BD/2590-99-804-4558	PAD, CUSHIONING	
1309	6371181	6MT12/2910-99-807-9228	STRAINER ELEMENT, SEDIMENT	
1310	6371182	6MT12/4730-99-807-9290	ADAPTOR, STRAIGHT, PIPE TO TUBE	
1311	6371183	X3/5365-99-200-6028	SPACER, RING	
1312	6371184	6MT12/2910-99-807-9221	BLADE, ROTOR, TRANSFER PUMP	
1313	6371191	6MT12/5310-99-807-9215	WASHER, FLAT	
1314	6371195	6MT12/5305-99-828-1483	SCREW, MACHINE	
1315	6371197	6MT12/2910-99-807-9243	WASHER, COPPER, FUEL INJECTION PUMP	
1316	6371204	6MT12/5330-99-807-9526	GASKET	
1317	6371205	6MT12/5310-99-807-9293	NUT, SLEEVE	
1318	6371206	6MT12/5330-99-807-9301	GASKET	
1319	6371208	6MT12/5365-99-807-9261	SPACER, RING	
1320	6371714	6MT1/5330--99-802-2684	GASKET	
1321	6371715	6MT1/5330-99-801-6628	RING, SEALING, TOROIDAL	
1322	6371716	6MT12/2910-99-881-8769	FILTER ELEMENT, FLUID	
1323	6371823	7BD/2530-99-832-9211	BUSH, LEVER	
1324	6371828	7BD/5310-99-874-1969	WASHER, LEVER	
1325	6371832	6MT9/2530-99-836-3511	PIN, BRAKE DRAW LINK	
1326	6371833	7BD/2530-99-832-4327	COVER, BRAKE EXPANDER	
1327	6372048	7BD/5340-99-822-5481	BUSHING, PLASTICS	
1328	6373148	7BD/2530-99-832-9110	SPRING, HELICAL, EXTENSION	
1329	6373158	7BD/5340-99-803-4527	PLUG, PROTECTIVE, DUST AND MOISTURE SEAL	
1330	6373368	7BD/2815-99-802-5343	BRACKET, DOUBLE ANGLE	
1331	6373369	7BD/2815-99-802-5344	BRACKET, DOUBLE ANGLE	

I T E M N O	Mfr Part Number	Catalogue Number	Item Name	Remarks
1332	6373437	7BD/5310-99-814-0126	WASHER, FLAT	
1333	6373471	6MT1/5365-99-943-3819	RING, RETAINING	
1334	6373484	7BD/2990-99-802-2749	ADAPTOR, CONTROL CABLE	
1335	6373497	7BD/5340-99-822-2290	STRAP, RETAINING	
1336	6373539	7BD/2510-99-813-6271	BRACKET AND PIN ASSEMBLY	
1337	6373599	7BD/2520-99-874-0834	FLANGE	
1338	6373605	6MT1/5330-99-881-8112	SEAL, PLAIN, ENCASED	
1339	6373623	7BD/2520-99-874-0835	DEFLECTOR, DIRT AND LIQUID	
1340	6373625	7BD/5365-99-814-0083	SPACER, RING	
1341	6373626	7BD/5365-99-814-0084	RING, RETAINING	
1342	6373627	7BD/5310-99-814-0086	WASHER, FLAT	
1343	6373682	7BD/5325-99-874-0623	GROMMET, RUBBER	
1344	6373715	7BD/5306-99-832-6744	BOLT, MACHINE	
1345	6373762	7BD/2510-99-874-0840	BUMPER, RUBBER	
1346	6373768	7BD/5310-99-832-6745	WASHER, FLAT	
1347	6373881	7BD/2520-99-767-8815	PIPE, STEEL	
1348	6374117	H9/5310-99-943-4388	WASHER, FLAT	
1349	6374639	6MT1/4710-99-822-6022	PIPING, PLASTICS, SEMI-RIGID	
1350	6374814	6MT9/2530-99-881-3057	LINER, CYLINDER	
1351	6375019	7BD/5310-99-137-5921	WASHER, FLAT	
1352	6376147	7BD/4730-99-813-5675	INVERTED NUT, UNION, PIPE	
1353	6376148	7BD/4730-99-804-2869	SLEEVE, COMPRESSION, PIPE- HOSE FITTING	
1354	6376149	7BD/4730-99-804-2869	CONNECTOR, MULTIPLE, FLUID PRESSURE LINE	
1355	6376177	7BD/4730-99-802-2711	BOLT, FLUID	
1356	6376369	7BD/2805-99-874-0624	HOSE, PREFORMED	
1357	6376526	7BD/2920-99-822-3874	CABLE, ASSEMBLY, SPECIAL PURPOSE, ELECTRICAL	
1358	6376842	7BD/5320-99-827-9914	BRACKET, DOUBLE ANGLE	
1359	6376930	7BD/2940-99-874-0848	HOSE, PREFORMED	
1360	6376980	7BD/2940-99-802-5144	HOSE, PREFORMED	
1361	6377191	7BD/2590-99-874-0628	ROD ASSEMBLY, PULL, CHOKE	
1362	6377365	6MT9/5340-99-836-7154	CLIP, BOOT, WHEEL CYLINDER	
1363	6377497	7BD/2520-99-814-0143	COVER, POWER TAKE-OFF	
1364	6377609	7BD/5306-99-827-1297	BOLT, CLAMP, BATTERY	
1365	6379004	7BD/5310-99-813-6267	WASHER, FLAT	
1366	6379011	7BD/2520-99-832-6742	KEY, THIRD AND FOURTH SPEED CLUTCH	
1367	6379012	7BD/5306-99-874-0854	BOLT, MACHINE	
1368	6379013	7BD/2530-99-813-6274	SPACER, SHOCK ABSORBER	
1369	6379097	6MT13/2540-99-943-9272	PINTLE ASSEMBLY, TOWING	
1370	6379282	7BD/2530-99-874-0857	COVER, TRANSMISSION BRAKE DRUM	
1371	6379339	7BD/3120-99-809-8469	BEARING SLEEVE	
1372	6379340	6MT1/3120-99-814-8196	BEARING SLEEVE	
1373	6379342	6MT1/3120-99-814-8194	BEARING SLEEVE	

I T E M N O	Mfr Part Number	Catalogue Number	Item Name	Remarks
1374	6379426	7BD/4730-99-773-3686	ADAPTOR, STRAIGHT, PIPE	
1375	6380591	7BD/5975-99-813-9565	BLOCK, LOCATING	
1376	6380608	6MT1/4730-99-802-8717	SLEEVE, COMPRESSION, PIPE- HOSE FITTING	
1377	6380609	6MT1/4730-99-802-8718	INVERTED NUT, UNION, PIPE	
1378	6380616	7BD/2910-99-802-7149	COUPLING, SHAFT, RIGID	
1379	6380828	7BD/2520-99-802-2214	FORK, CLUTCH OPERATING	
1380	6380829	7BD/2520-99-744-6321	FORK, CLUTCH OPERATING	
1381	6381313	7BD/4730-99-813-6227	ADAPTOR, STRAIGHT, PIPE TO HOSE	
1382	6381563	7BD/2520-99-874-0860	GASKET	
1383	6381967	X5/6240-99-995-4441	LAMP, FILAMENT	
1384	6382570	X5/6240-99-995-9408	LAMP, FILAMENT	
1385	6384036	G1/5310-99-120-0697	NUT, SELF-LOCKING, HEXAGON	
1386	6384273	7BD/5310-99-827-4440	WASHER, FINISHING	
1387	6384593	7BD/5365-99-793-4293	SPACER, SLEEVE	
1388	6384848	7BD/5340-99-804-2876	PLUG, EXPANSION	
1389	6384864	7BD/2805-99-873-9931	SEAT, COMPRESSION HELICAL SPRING	
1390	6384865	7BD/2805-99-873-9932	VALVE, POPPET, ENGINE	
1391	6384866	7BD/2805-99-874-0865	VALVE, POPPET, ENGINE	
1392	6385181	7BD/2530-99-874-0866	CABLE, CONTROL	
1393	6385187	7BD/2530-99-874-0869	CABLE ASSEMBLY, CONTROL	
1394	6385391	6MT4/2540-99-746-1639	BARREL	
1395	6385393	7BD/2540-99-802-1775	HANDLE, DOOR	
1396	6386656	7BD/5340-99-747-8542	HOOK HIP RING COVER	
1397	6387309	7BD/2540-99-822-5482	PUSH BUTTON	
1398	6387660	7BD/2520-99-874-0637	BOLT, ECCENTRIC, REVERSE STRIKING LEVER	
1399	6387702	7BD/2540-99-814-7964	ROD, THROTTLE CONTROL	
1400	6387709	X5/6240-99-995-9179	LAMP FILAMENT	
1401	6387738	7BD/2520-99-802-1350	SPACER, SLEEVE	
1402	6387877	7BD/6220-99-809-9550	LIGHT, INDICATOR	
1403	6388106	7BD/3120-99-873-9433	BEARING, SLEEVE	
1404	6388149	6MT12/2910-99-401-8792	NOZZLE ASSEMBLY, FUEL, PRESSURE ATOMIZING	
1405	6388187	6MT12/2910-99-802-8710	NOZZLE ASSEMBLY, FUEL, PRESSURE ATOMIZING	
1406	6388655	6MT9/2530-99-881-7940	GASKET, EVAPORATOR	
1407	6388907	6MT10/2520-99-827-6829	CASING, GEARBOX	
1408	6388908	6MT7/3110-99-202-9004	BEARING, NEEDLE ROLLER, JOURNAL	
1409	6388909	6MT10/4730-99-205-9563	PLUG, PIPE, MAGNETIC	
1410	6388913	6MT1/2520-99-202-8152	GASKET	
1411	6388914	6MT1/5365-99-202-8939	RING, RETAINING	
1412	6388916	6MT10/5305-99-813-9696	SCREW, SHOULDER	
1413	6388917	6MT1/5365-99-202-9006	RING, RETAINING	

I T E M N O	Mfr Part Number	Catalogue Number	Item Name	Remarks
1414	6388919	7BD/5330-99-813-9917	GASKET	
1415	6388921	6MT10/2520-99-205-9345	LOCK, IDLER SHAFT	
1416	6388924	7BD/3110-99-813-9690	BEARING, BALL, JOURNAL	
1417	6388926	6MT7/3110-99-808-2422	BEARING, BALL, JOURNAL	
1418	6388934	6MT1/5365-99-202-9000	RING, RETAINING	
1419	6388945	6MT1/5365-99-202-9002	RING, RETAINING	
1420	6388951	6MT1/5365-99-202-8807	RING, RETAINING	
1421	6388965	6MT1/3010-99-202-9021	ARM, ROCKER	
1422	6388970	6MT10/5305-99-205-9621	SCREW, FORK, BAR	
1423	6388972	6MT1/5360-99-202-9023	SPRING, HELICAL, COMPRESSION	
1424	6388973	6MT10/5360-99-205-9547	SPRING, HELICAL, COMPRESSION	
1425	6388974	6MT1/2520-99-202-8955	GASKET	
1426	6388980	7BD/5330-99-813-6234	GASKET	
1427	6388981	G1/5310-99-944-0552	WASHER, LOCK	
1428	6388982	6MT10/5330-99-202-9027	GASKET	
1429	6388993	6MT1/5315-99-943-5967	KEY, WOODRUFF	
1430	6388994	7BD/3110-99-814-2644	BALL, BEARING	
1431	6388995	6MT1/5340-00-232-5723	PLUG, EXPANSION	
1432	6389005	6MT3/5340-99-803-3880	CLIP, RETAINING	
1433	6389969	7BD/5365-99-811-3693	SPACER, SLEEVE	
1434	6390152	7BD/5307-99-802-7147	STUD, PLAIN	
1435	6390304	7BD/2805-99-895-4179	STUD, SHORT, CYLINDER HEAD	
1436	6390305	7BD/5310-99-873-9933	NUT, PLAIN, HEXAGON	
1437	6390607	7BD/2910-99-805-8414	PIPE, PLASTICS, SEMI-RIGID	
1438	6390632	7BD/2910-99-802-2709	PIPE, PLASTICS, SEMI-RIGID	
1439	6390756	7BD/2530-99-874-0877	CROSS SHAFT, STEERING GEAR	
1440	6390757	7BD/2530-99-874-0878	CROSS SHAFT, STEERING GEAR	
1441	6391092	X3/2815-99-205-8459	KIT, SPARE	
1442	6391245	6MT7/31109-99-950-0355	BEARING, BALL, JOURNAL	
1443	6392007	X3/2910-99-201-3317	SCREW, ADJUSTING, NOZZLE	
1444	6393079	G1/5310-99-923-0537	NUT, SELF-LOCKING, HEXAGON	
1445	6393498	G1/5310-99-135-1503	NUT, SELF-LOCKING, HEXAGON	
1446	6393748	7BD/2805-99-814-0680	FLYWHEEL, ENGINE	
1447	6393881	7BD/2815-99-819-1516	ROCKER ARM, ENGINE POPPET VALVE	
1448	6393883	7BD/5360-99-819-1519	SPRING, HELICAL, COMPRESSION	
1449	6394153	7BD/2510-99-874-0880	CHANNEL, DOOR GLASS RUN	
1450	6394623	7BD/5340-99-802-2743	SPRING, HELICAL, EXTENSION	
1451	6394640	H1/2520-99-874-0882	GASKET	
1452	6394642	7BD/2520-99-814-0089	END COVER, MECHANICAL DRIVE	
1453	6394643	7BD/2520-99-874-0883	GASKET	

I T E M N O	Mfr Part Number	Catalogue Number	Item Name	Remarks
1454	6394644	7BD/2520-99-874-0884	GASKET	
1455	6394645	7BD/2520-99-823-6112	SPACER, RING	
1456	6394666	7BD/2520-99-832-6921	COVER, TRANSFER BOX	
1457	6394695	6MT7/3110-99-807-3438	BEARING, ROLLER, JOURNAL	
1458	6394949	7BD/2510-99-820-2279	ROD, TORQUE REACTION	
1459	6396955	G1/5310-99-923-0538	NUT, SELF-LOCKING, HEXAGON	
1460	6397043	7BD/2815-99-804-2123	GASKET, GEARCASE	
1461	6397073	7BD/2815-99-819-1504	SLEEVE, HOLDER, FUEL NOZZLE	
1462	6397142	7BD/2815-99-818-9279	DOWEL, FLUID, TRANSFER	
1463	6397349	6MT12/5305-99-807-8746	SCREW, MACHINE	
1464	6397461	7BD/5340-99-874-1729	PLUG, EXPANSION	
1465	6397565	6MT12/2910-99-811-0817	HOLDER, FUEL, NOZZLE	
1466	6397728	6MT12/5330-99-881-2252	GASKET	
1467	6397729	6MT12/5305-99-807-9131	SCREW, SOCKET HEAD	
1468	6397730	6MT12/5310-99-807-8793	WASHER, FLAT	
1469	6397732	6MT12/2910-99-809-1303	VENT HEAD SCREW ASSEMBLY	
1470	6397733	6MT12/5365-99-808-0173	PLUG, SCREWED	
1471	6397736	6MT12/2910-99-814-8064	THROTTLE ARM, FUEL PUMP	
1472	6398037	7BD/4730-99-767-8817	CLAMP, HOSE	
1473	6398073	7BD/5306-99-813-6266	BOLT, MACHINE	
1474	6398086	7BD/2530-99-814-8385	SHIELD	
1475	6399008	7BD/5330-99-874-0891	PACKING, PREFORMED	
1476	6399120	7BD/4720-99-874-0892	HOSE, RUBBER	
1477	6399282	7BD/2510-99-835-6116	EMBLEM, FRONT PANEL	
1478	6491006	7BD/5340-99-830-8883	CLIP, LOCKING	
1479	7045144	7BD/5310-99-832-6094	NUT, SINGLE BALL SEAT, HEXAGON	
1480	7045145	7BD/2520-99-832-6095	SUPPORT, CLUTCH FORK BALL	
1481	7052645	7BD/2930-99-833-3055	DEFLECTOR, DIRT AND LIQUID	
1482	7053612	6MT9/2530-99-800-2760	CUP, HYDRAULIC BRAKE CYLINDER	
1483	7053621	6MT9/2530-99-810-7334	BLEEDER VALVE, HYDRAULIC SYSTEM	
1484	7054180	G1/5310-99-422-9722	NUT, PLAIN, HEXAGON	
1485	7054557	7BD/5310-99-805-5297	NUT, PLAIN, PLATE	
1486	7054821	7BD/5365-99-813-9733	SPACER, SLEEVE	
1487	7055002	7BD/5935-99-833-3451	SOCKET, ELECTRICAL	
1488	7055121	7BD/2910-99-833-2256	CHAIN ASSEMBLY, SINGLE LEG	
1489	7056406	7BD/5365-99-832-7979	RING, RETAINING	
1490	7056417	7BD/5306-99-832-7980	BOLT, MACHINE	
1491	7057569	X3/5310-99-200-1882	NUT, PLAIN, HEXAGON	
1492	7057770	7BD/2930-99-895-2647	COCK, DRAIN	
1493	7058170	7BD/2805-99-833-0621	SEAT, HELICAL COMPRESSION SPRING	
1494	7058389	G1/5310-99-101-7838	WASHER, FLAT	

I T E M N O	Mfr Part Number	Catalogue Number	Item Name	Remarks
1495	7058521	7BD/2530-99-832-8028	NUT, INNER, FRONT HUB BEARING, RETAINING	
1496	7058555	7BD/3120-99-832-5817	BUSHING, SLEEVE	
1497	7058557	6MT7/3110-99-950-1063	BEARING, TAPERED, ROLLER	
1498	7058558	6MT7/3110-99-950-1020	BEARING, TAPERED, ROLLER	
1499	7058559	6MT7/3110-99-950-0909	BEARING, TAPERED, ROLLER	
1500	7058717	7BD/4730-99-895-2368	PLUG, SCREWED	
1501	7058730	7BD/5365-99-832-5875	RING, RETAINING	
1502	7058775	6MT9/2530-99-836-3512	JOINT, TRACTA ASSEMBLY	
1503	7058795	7BD/3120-99-832-5883	BEARING, SLEEVE	
1504	7058797	7BD/5365-99-834-9119	SPACER, RING	
1505	7058813	7BD/2520-99-832-5889	GASKET, FRONT HUB DRIVE SLEEVE SHAFT HOUSING TO DEFLECTOR	
1506	7058815	7BD/2520-99-832-5890	BACK PLATE, OIL SEAL	
1507	7059041	7BD/2520-99-832-5895	RING, SEALING, TOROIDAL	
1508	7059727	7BD/2520-99-832-8116	COVER PLATE ASSEMBLY OIL SEAL LOCATING	
1509	7062957	7BD/5330-99-832-5984	GASKET	
1510	7063323	Z37/5940-99-110-4853	TERMINAL, LUG	
1511	7063717	G1/5310-99-120-1529	NUT, PLAIN, HEXAGON	
1512	7063722	G1/5310-99-943-8672	WASHER, FLAT	
1513	7063724	6MT9/4730-99-960-0766	SLEEVE, COMPRESSION, PIPE-HOSE FITTING	
1514	7065773	7BD/2520-99-832-5996	SPRING, OIL SEAL, TRACTA SLOTTED JOINT HOUSING	
1515	7067295	7BD/5310-99-833-3658	WASHER, FLAT	
1516	7070625	7BD/5310-99-832-3201	WASHER, FLAT	
1517	7070962	7BD/2520-99-832-6029	COTTER, OUTER LEVER TO SHAFT	
1518	7071921	G1/5310-99-139-3568	WASHER, FLAT	
1519	7073732	7BD/5325-99-874-0897	GROMMET BLANK, NONMETALLIC	
1520	7074135	7BD/5310-99-806-8593	WASHER, FLAT	
1521	7074488	6MT10/2520-99-832-0169	RIVET, CLUTCH FACING	
1522	7074862	7BD/3120-99-832-6086	BEARING, SLEEVE	
1523	7074929	7BD/2520-99-832-6089	DEFLECTOR, DIRT AND LIQUID	
1524	7074940	7BD/5365-99-832-6090	RING, RETAINING	
1525	7075008	7BD/5330-99-833-0754	FELT, MECHANICAL, PREFORMED	
1526	7075017	7BD/5315-99-833-0760	PIN, STRAIGHT, HEADLESS	
1527	7075018	7BD/5340-99-833-0761	RING, RETAINING	
1528	7075019	7BD/5310-99-833-0762	WASHER, FLAT	
1529	7075026	7BD/2805-99-833-0767	STRAINER ELEMENT, SEDIMENT	
1530	7075028	7BD/2805-99-833-0769	PLATE, OIL SUCTION CUP	

I T E M N O	Mfr Part Number	Catalogue Number	Item Name	Remarks
1531	7075033	7BD/2805-99-833-0770	PLUG, OIL PRESSURE RELIEF VALVE	
1532	7075035	7BD/2805-99-895-2586	PLUG, OIL PRESSURE RELIEF VALVE	
1533	7075058	7BD/2805-99-833-0773	REINFORCEMENT, TIMING COVER	
1534	7075072	7BD/5310-99-833-3128	WASHER, FLAT	
1535	7075075	7BD/5365-99-833-3131	SPACER, SLEEVE	
1536	7075076	6MT1/5365-99-833-3132	RING, RETAINING	
1537	7075136	7BD/2805-99-833-3138	GASKET	
1538	7075143	7BD/2520-99-832-6093	SEAT, BALL SOCKET	
1539	7075224	7BD/2520-99-833-0791	SPRING, HELICAL, COMPRESSION	
1540	7075229	7BD/5315-99-833-0792	PIN, STRAIGHT, HEADLESS	
1541	7075234	7BD/2805-99-833-0794	DEFLECTOR, DIRT AND LIQUID	
1542	7075267	7BD/2805-99-833-0809	SPRING, HELICAL, COMPRESSION	
1543	7075268	7BD/5340-99-833-0810	CLIP, RETAINING	
1544	7075276	7BD/2805-99-833-0816	ROCKER ARM, ENGINE POPPET VALVE	
1545	7075279	7BD/2805-99-833-0817	SPRING, HELICAL, COMPRESSION	
1546	7075280	7BD/2805-99-833-0818	GASKET, ROCKER COVER	
1547	7075281	7BD/5307-99-833-0819	STUD, PLAIN	
1548	7075423	7BD/5306-99-895-2360	BOLT, MACHINE	
1549	7075438	6MT1/5330-99-817-4509	SEAL, PLAIN, ENCASED	
1550	7075440	7BD/2520-99-832-6109	DEFLECTOR, DIRT AND LIQUID	
1551	7075485	7BD/2520-99-832-8227	GASKET	
1552	7075586	7BD/2805-99-833-3148	OUTLET, RADIATOR	
1553	7075588	7BD/5310-99-832-6116	NUT, SLEEVE	
1554	7075772	7BD/2530-99-832-8239	SPRING, ANCHOR LINK	
1555	7075773	7BD/2530-99-832-8240	SPRING, ANCHOR LINK	
1556	7075774	7BD/2530-99-832-8241	SPRING, ANCHOR LINK	
1557	7075775	7BD/2530-99-832-8242	SPRING, ANCHOR LINK	
1558	7075776	7BD/5306-99-832-8243	BOLT, MACHINE	
1559	7075800	7BD/2530-99-832-8261	ADJUSTER, BISECTOR EXPANDER	
1560	7075801	6MT1/5365-99-924-3484	RING, RETAINING	
1561	7075830	7BD/2530-99-832-8264	COUPLING, SHAFT, FLEXIBLE	
1562	7075848	7BD/2530-99-832-8270	PIN, BRAKE SHOE GUIDE SPRING	
1563	7075932	7BD/5340-99-832-3507	BUMPER, RUBBER	
1564	7076214	7BD/5340-99-825-7562	CLAMP, LOOP	
1565	7076529	7BD/5306-99-123-4518	BOLT, MACHINE	
1566	7077093	G1/5310-99-120-8457	NUT, PLAIN, WING	
1567	7077546	7BD/5365-99-832-6139	SHIM	
1568	7077547	7BD/5365-99-832-6140	SPACER, RING	

I T E M N O	Mfr Part Number	Catalogue Number	Item Name	Remarks
1569	7077548	7BD/5365-99-832-6141	SPACER, RING	
1570	7077586	6MT12/2910-99-807-5214	SCREW, JET, CARBURETOR	
1571	7078425	7BD/3120-99-832-6163	WASHER, THRUST	
1572	7078426	7BD/3120-99-832-6164	WASHER, THRUST	
1573	7078697	7BD/5310-99-137-1458	WASHER, FLAT	
1574	7078986	7BD/5365-99-832-3560	SPACER, SLEEVE	
1575	7079520	7BD/5315-99-832-8363	PIN, SHOULDER, HEADLESS	
1576	7080410	7BD/2510-99-832-3636	BUMPER, RUBBER	
1577	7080562	7BD/5310-99-895-2370	WASHER, KEY	
1578	7080563	7BD/5310-99-895-0659	WASHER, FLAT	
1579	7080564	7BD/5310-99-833-0876	NUT, PLAIN, HEXAGON	
1580	7080655	7BD/5310-99-825-2750	WASHER	
1581	7080804	7BD/5340-99-895-2275	CLAMP, LOOP	
1582	7080898	6MT9/2530-99-800-3489	BOOT, DUST AND MOISTURE SEAL	
1583	7080899	6MT9/2530-99-800-3488	CLIP, BOOT	
1584	7080900	6MT9/2530-99-802-4430	CLIP, BOOT	
1585	7080970	7BD/5310-99-832-8411	NUT, SHEET SPRING	
1586	7081251	7BD/2540-99-832-9992	SPRING, HELICAL, EXTENSION	
1587	7081361	7BD/5330-99-832-7450	GASKET	
1588	7081771	7BD/2530-99-832-8427	ADJUSTER, WORM BEARING	
1589	7081772	7BD/5310-99-832-8428	NUT, PLAIN, HEXAGON	
1590	7081867	7BD/5310-99-832-6189	WASHER, RECESSED	
1591	7081890	7BD/2520-99-832-8439	LOCKNUT, PINION	
1592	7081944	6MT3/5360-99-408-2222	SPRING, HELICAL, COMPRESSION	
1593	7082617	7BD/5310-99-832-6196	WASHER, KEY	
1594	7082840	7BD/2590-99-824-9808	LEAD, ELECTRICAL	
1595	7082851	7BD/5340-99-833-3193	CLIP, RETAINING	
1596	7082872	7BD/2540-99-833-2398	CASING, FLEXIBLE CONTROL	
1597	7082902	7BD/5307-99-833-0963	STUD, PLAIN	
1598	7082903	7BD/2990-99-833-0964	PACKING FLANGE, EXHAUST PIPE	
1599	7082917	6MT7/3110-99-950-0326	BEARING, BALL, JOURNAL	
1600	7082918	7BD/5310-99-833-5779	NUT, PLAIN, HEXAGON	
1601	7082935	7BD/5365-99-832-6208	RING, RETAINING	
1602	7082944	7BD/2520-99-832-6212	CONE, SYNCHROMESH	
1603	7082945	7BD/5365-99-832-6213	RING, RETAINING	
1604	7082975	7BD/2520-99-832-6223	SHIFTER, INTERLOCK ASSEMBLY	
1605	7082979	7BD/2520-99-832-6225	STOP, REVERSE	
1606	7082981	7BD/2520-99-832-6227	CHIP COLLECTOR ASSEMBLY, GEARBOX CASING	
1607	7082985	7BD/2520-99-832-6228	FORK, SELECTOR, GEARBOX	
1608	7082989	7BD/2520-99-832-6230	LEVER, STRIKING, REVERSE SPEED	

I T E M N O	Mfr Part Number	Catalogue Number	Item Name	Remarks
1609	7082990	7BD/2520-99-832-6231	STRIKING LEVER HEAD, GEARBOX	
1610	7083006	7BD/5365-99-874-2666	SPACER, PLATE	
1611	7083008	7BD/5365-99-832-6240	RING, RETAINING	
1612	7083009	6MT7/3110-99-817-8944	ROLLER, BEARING	
1613	7083010	7BD/5315-99-832-6241	PIN, STRAIGHT, HEADLESS	
1614	7083011	6MT7/3110-99-950-0319	BEARING, BALL, JOURNAL	
1615	7083012	6MT7/3110-99-950-0349	BEARING, BALL, JOURNAL	
1616	7083018	7BD/2520-99-832-6246	GASKET	
1617	7083022	7BD/2520-99-832-6249	GEARSHAFT, SPUR	
1618	7083027	7BD/5365-99832-6254	SPACER, SLEEVE	
1619	7083030	7BD/5340-99-832-6257	LOCKING PLATE, NUT AND BOLT	
1620	7083402	7BD/5310-99-874-1083	WASHER, FLAT	
1621	7083894	7BD/5310-99-832-3119	NUT, SHEET SPRING	
1622	7083936	7BD/5310-99-137-2063	NUT, SHEET SPRING	
1623	7084075	7BD/5306-99-832-8485	BOLT, MACHINE	
1624	7084457	7BD/5310-99-895-2214	WASHER, FLAT	
1625	7084522	7BD/5306-99-123-5640	BOLT, U	
1626	7084523	7BD/2590-99-833-3694	CLIP, EXHAUST FRONT PIPE	
1627	7085262	7BD/2540-99-813-6340	HOG RING	
1628	7085400	7BD/2520-99-805-3411	NUT, FLANGE, UNIVERSAL REAR	
1629	7085534	7BD/2530-99-874-0900	SPRING, HELICAL, COMPRESSION	
1630	7085595	7BD/5340-99-874-0901	MOUNT, RESILIENT	
1631	7085606	7BD/5315-99-895-1289	PIN, STRAIGHT, HEADED	
1632	7085851	7BD/5325-99-137-1669	GROMMET, RUBBER	
1633	7086254	7BD/3120-99-833-1008	BEARING, SLEEVE	
1634	7086255	7BD/3120-99-833-1009	BEARING, SLEEVE	
1635	7086256	7BD/3120-99-833-1010	BEARING, SLEEVE	
1636	7086257	7BD/3120-99-833-1011	BEARING, SLEEVE	
1637	7086304	7BD/2520-99-833-1016	DEFLECTOR, DIRT AND LIQUID	
1638	7086849	6MT12/5360-99-807-5273	SPRING, HELICAL, COMPRESSION	
1639	7086852	6MT12/5330-99-807-5140	GASKET	
1640	7086853	6MT12/2910-99-807-5196	SPRING, DIAPHRAGM	
1641	7086861	6MT12/2910-99-807-5229	GASKET, THROTTLE BODY	
1642	7086864	6MT12/5310-99-807-4866	WASHER, FLAT	
1643	7086868	6MT12/2910-99-807-5277	BUTTERFLY, STRANGLER	
1644	7086871	6MT12/5360-99-807-5306	SPRING, HELICAL, TORSION	
1645	7086879	6MT12/2910-99-807-5230	ARM, FLOAT	
1646	7086880	6MT12/2910-99-807-5231	VALVE BALL, CHECK VALVE ASSEMBLY	
1647	7086882	6MT12/2910-99-807-5232	GASKET, EMULSION BLOCK	
1648	7086940	7BD/5310-99-825-4455	NUT, SINGLE BALL SEAT, HEXAGON	

I T E M N O	Mfr Part Number	Catalogue Number	Item Name	Remarks
1649	7087174	6MT12/5305-99-807-5130	SCREW, MACHINE	
1650	7087175	6MT12/2910-99-807-5279	WASHER, LEVER	
1651	7087732	7BD/5310-99-832-3763	NUT, SHEET SPRING	
1652	7088364	6MT10/2520-99-836-8605	FLANGE, YOKE, UNIVERSAL JOINT	
1653	7088368	6MT10/2520-99-836-8508	PARTS KIT, UNIVERSAL JOINT	
1654	7088369	6MT10/2520-99-836-8609	SLEEVE, YOKE ASSEMBLY	
1655	7088370	6MT10/2520-99-400-3195	UNIVERSAL JOINT	
1656	7088376	6MT10/5330-99-836-8602	PACKING, PREFORMED	
1657	7088530	6MT12/5310-99-807-3977	NUT, PLAIN, HEXAGON	
1658	7088580	7BD/5310-99-832-8535	NUT, CONE SEAT, HEXAGON	
1659	7088583	7BD/5306-99-123-4517	BOLT, MACHINE	
1660	7088584	7BD/5306-99-895-2416	BOLT, MACHINE	
1661	7088623	G1/5310-99-124-3091	NUT, PLAIN, HEXAGON	
1662	7088652	6MT4/5305-99-803-6665	SCREW, MACHINE	
1663	7088653	Z2/5310-99-120-2311	WASHER, LOCK	
1664	7089362	6MT7/3110-99-950-0633	BEARING, BALL, ANGULAR CONTACT	
1665	7089844	7BD/5365-99-832-3774	SHIM	
1666	7090308	7BD/5365-99-832-3782	RING, RETAINING	
1667	7090459	6MT10/2520-99-836-8618	GASKET, JOURNAL UNIVERSAL JOINT	
1668	7090460	7BD/2520-99-439-7834	RETAINER, PACKING	
1669	7090824	7BD/3040-99-814-8183	CONNECTING LINK, RIGID	
1670	7090825	7BD/3040-99-814-8184	CONNECTING LINK, RIGID	
1671	7090864	7BD/5340-99-813-9235	CLIP, CABLE	
1672	7090931	7BD/5340-99-814-8186	SEAT, COMPRESSION HELICAL SPRING	
1673	7091120	7BD/5310-99-814-8187	WASHER, SPRING TENSION	
1674	7091321	6MT4/3120-99-803-7761	BEARING, SLEEVE	
1675	7091482	6MT4/5310-99-804-1785	NUT, PLAIN, ROUND	
1676	7091692	6MT7/3110-99-806-1283	BEARING, TAPERED, ROLLER	
1677	7091862	7BD/5315-99-833-0132	PIN, GROOVED, HEADED	
1678	7092234	7BD/5310-99-822-1036	WASHER, FLAT	
1679	7092684	7BD/5306-99-832-6293	BOLT, MACHINE	
1680	7093069	7BD/2540-99-833-0086	NUT, SPECIAL, WING, SEAT FIXING	
1681	7093803	7BD/5310-99-802-1660	WASHER, FLAT	
1682	7093805	7BD/5310-99-802-1661	WASHER, FLAT	
1683	7093806	7BD/2510-99-832-4185	SPRING, HELICAL, COMPRESSION	
1684	7094460	7BD/4730-99-833-2408	INVERTED NUT, UNION, PIPE	
1685	7094622	7BD/3120-99-832-6297	WASHER, THRUST	
1686	7094634	6MT4/2920-99-803-7753	PARTS KIT, ELECTRICAL ENGINE STARTER	
1687	7095053	6MT7/3110-99-881-4212	BEARING TAPERED, ROLLER	
1688	7095119	7BD/2520-99-832-6300	RETAINER, OIL SEAL	

I T E M N O	Mfr Part Number	Catalogue Number	Item Name	Remarks
1689	7095120	6MT1/5330-99-801-6000	SEAL, PLAIN, ENCASED	
1690	7095122	7BD/2530-99-832-6302	DEFLECTOR, DIRT AND LIQUID	
1691	7095166	7BD/5310-99-832-3803	NUT, SELF-LOCKING, HEXAGON	
1692	7095167	7BD/2520-99-832-6304	SHAFT, AXLE, AUTOMOTIVE	
1693	7095240	7BD/2520-99-832-6306	GEAR, SPUR	
1694	7095243	7BD/2520-99-832-6307	GEAR, CLUSTER, SPUR	
1695	7095271	7BD/2530-99-832-8579	STEERING ARM, AXLE	
1696	7095313	7BD/5330-99-833-2409	GASKET	
1697	7095346	6MT7/3110-99-950-1104	ROLLER, BEARING	
1698	7095349	6MT7/3110-99-950-0351	BEARING, BALL, JOURNAL	
1699	7095374	7BD/2520-99-832-6308	GASKET	
1700	7095378	7BD/5330-99-832-6309	GASKET	
1701	7095379	7BD/5310-99-832-6310	NUT, PLAIN, HEXAGON	
1702	7095387	7BD/5306-99-123-3910	BOLT, MACHINE	
1703	7095414	7BD/2530-99-832-8584	STEERING PIVOT, UPPER	
1704	7095495	7BD/5365-99-818-8097	SPACER, RING	
1705	7095513	7BD/5365-99-832-6320	RING, RETAINING	
1706	7095514	7BD/5310-99-832-6321	WASHER, SPLIT	
1707	7095575	7BD/3120-99-832-6322	WASHER, THRUST	
1708	7095576	7BD/3120-99-832-6323	WASHER, RECESSED	
1709	7095611	7BD/5315-99-832-6325	PIN, STRAIGHT, HEADLESS	
1710	7095617	7BD/2520-99-832-6326	HOUSING, HIGH-LOW STRIKING LEVER	
1711	7095618	7BD/2520-99-832-6327	GASKET, TRANSFER BOX STRIKING LEVER HOUSING	
1712	7095658	7BD/5340-99-832-6331	PLUG, EXPANSION	
1713	7095679	7BD/2520-99-832-6337	CAP POWER TAKE-OFF REAR COVER	
1714	7095744	7BD/5330-99-832-6343	RING, SEALING, TOROIDAL	
1715	7095802	7BD/2520-99-833-4916	COVER PLATE, ACCESS	
1716	7095803	7BD/5330-99-833-4903	GASKET	
1717	7095948	7BD/2520-99-832-6351	PIN ASSEMBLY, CONTROL ROD END	
1718	7096227	7BD/2805-99-833-1056	COVER PLATE, ACCESS	
1719	7096228	7BD/5330-99-833-1057	GASKET	
1720	7096340	6MT12/2910-99-807-5385	PLATE, BEARING, PUMP CONTROL	
1721	7096497	6MT1/5365-99-801-8155	RING, RETAINING	
1722	7096747	7BD/2930-99-833-3215	SPRING, PETROL FILLER COVER PANEL HINGE	
1723	7096892	7BD/2530-99-832-8601	WORM SHAFT	
1724	7096893	7BD/2530-99-832-8898	WORM SHAFT	
1725	7097117	7BD/2530-99-832-8607	COUPLING, SHAFT, RIGID	
1726	7097498	7BD/5340-99-832-8609	LOCKING PLATE, NUT AND BOLT	
1727	7097557	6MT9/4820-99-817-7072	COCK CUT OUT	
1728	7097684	7BD/2805-99-833-1068	COLLET, SPLIT	

ITEM NO	Mfr Part Number	Catalogue Number	Item Name	Remarks
1729	7097897	7BD/2520-99-832-6367	FORK, SELECTOR, GEARBOX	
1730	7098073	7BD/5340-99-825-8738	CLIP, SPRING TENSION	
1731	7098378	7BD/2805-99-833-1072	DOG, STARTING HANDLE	
1732	7098735	7BD/5365-99-832-8617	SPACER, PLATE	
1733	7098736	7BD/5365-99-832-8618	SPACER, PLATE	
1734	7098737	7BD/5365-99-832-8619	SHIM	
1735	7098738	7BD/5365-99-832-8620	SHIM	
1736	7098739	7BD/5365-99-832-8621	SPACER, PLATE	
1737	7098740	7BD/5365-99-832-8622	SPACER, PLATE	
1738	7098741	7BD/5365-99-832-8623	SPACER, PLATE	
1739	7098744	7BD/5365-99-832-8626	SPACER, PLATE	
1740	7099811	6MT9/4820-99-800-4873	VALVE, SAFETY-RELIEF	
1741	7099816	G1/5310-99-417-9233	NUT, PLAIN, HEXAGON	
1742	7099818	6MT9/4730-99-836-7749	SLEEVE, COMPRESSION, PIPE- HOSE FITTING	
1743	7099819	6MT9/4730-99-800-1949	NUT, UNION, PIPE	
1744	7099820	6MT9/4730-99-802-6466	ADAPTOR, STRAIGHT, PIPE	
1745	7099884	7BD/5365-99-832-8630	SPACER, PLATE	
1746	7100451	7BD/2510-99-832-9896	COVER ASSEMBLY, HIP RING	
1747	7100456	7BD/2510-99-813-6288	RING, COVER RETAINING	
1748	7102391	7BD/5310-99-832-8648	WASHER, KEY	
1749	7103231	6MT9/4730-99-836-7716	INVERTED NUT, UNION PIPE	
1750	7103348	G1/5305-99-941-9196	SCREW, MACHINE	
1751	7104226	6MT13/6220-910-9185	LIGHT UNIT, HEADLIGHT	
1752	7104906	7BD/5340-99-895-2569	CLIP, SPRING TENSION	
1753	7105194	6MT14/2530-99-809-8106	RING, LOCK, AUTOMOTIVE WHEEL	
1754	7105290	7BD/5365-99-832-8654	SPACER, PLATE	
1755	7105317	6MT10/2530-99-802-2583	CLUTCH, FRICTION	
1756	7105720	7BD/2805-99-833-1081	RING, STARTER, ENGINE	
1757	7105932	7BD/5315-99-832-6385	PIN, COTTER, SOLID	
1758	7105933	7BD/5310-99-832-6386	WASHER, FLAT	
1759	7106043	6MT1/5365-99-910-8239	RING, RETAINING	
1760	7106045	7BD/2520-99-832-6388	LEVER, ASSEMBLY, STRIKING HIGH-LOW	
1761	7106101	6MT9/5365-99-800-1824	RING, RETAINING	
1762	7106619	6MT1/5330-99-816-6422	SEAL, PLAIN, ENCASED	
1763	7106705	7BD/2910-99-874-0904	SPRING, HELICAL, COMPRESSION	
1764	7106985	7BD/5310-99-135-4687	WASHER, FLAT	
1765	7107293	7BD/2520-99-806-9705	BREATHER	
1766	7107656	7BD/2510-99-813-6282	NUT, SPECIAL, WELDING	
1767	7107669	6MT7/3110-99-950-0849	BEARING, ROLLER, JOURNAL	
1768	7108410	6MT3/6220-99-408-2255	LIGHT UNIT, HEADLIGHT	
1769	7109048	6MT9/2540-99-800-0744	VALVE STEM ASSEMBLY	
1770	7109049	6MT9/5360-99-802-4266	SPRING, HELICAL, COMPRESSION	

I T E M N O	Mfr Part Number	Catalogue Number	Item Name	Remarks
1771	7109051	6MT9/2540-99-800-2370	COVER, VALVE STEM	
1772	7109055	6MT9/5330-99-800-2503	GASKET	
1773	7109061	6MT9/2530-99-408-4626	ROCKER, TYRE INFLATOR	
1774	7109062	6MT9/5315-99-836-7722	PIN, STRAIGHT, HEADED	
1775	7109121	6MT9/2530-99-800-2790	SPACER, SLEEVE	
1776	7109236	6MT3/6220-99-803-3878	ADAPTOR, HEADLIGHT	
1777	7109382	7BD/2520-99-832-6410	GEAR, SPUR	
1778	7110651	6MT1/5365-99-910-8194	RING, RETAINING	
1779	7110658	H9/5325-99-408-0929	GROMMET, PLASTICS	
1780	7111311	6MT3/6220-99-803-3272	PLATE ASSEMBLY, UNIT, RETAINING	
1781	7111485	6MT12/5310-99-401-4044	NUT, PLAIN, HEXAGON	
1782	7111493	6MT12/2910-99-825-8443	FILTER BASE ASSEMBLY	
1783	7111564	6MT12/5310-99-807-7387	WASHER, FLAT	
1784	7111577	6MT12/5305-99-807-7348	SCREW, GRUB	
1785	7111593	6MT12/5310-99-401-0764	WASHER CAP	
1786	7112107	6MT10/2520-99-806-2424	CLUTCH EYEBOLT	
1787	7112587	7BD/5306-99-123-4512	BOLT, MACHINE	
1788	7112590	7BD/2520-99-832-6422	GASKET	
1789	7112595	7BD/2520-99-832-6423	COVER ASSEMBLY, GEARBOX REAR	
1790	7112833	6MT10/2520-99-832-0356	PLATE, PRESSURE CLUTCH	
1791	7112836	6MT10/2520-99-832-0358	SPRING, ANTI-RATTLE, CLUTCH	
1792	7113355	6MT1/9905-99-802-3530	PLATE, CONVOY	
1793	7113445	7BD/5310-99-832-4158	WASHER, FLAT	
1794	7114321	6MT8/2920-99-806-8584	BOOT, DUST AND MOISTURE SEAL	
1795	7114322	6MT8/5999-99-807-0114	CLIP, ELECTRICAL	
1796	7115238	7BD/4730-99-833-4061	PLUG, PIPE	
1797	7115805	7BD/5330-99-833-3723	GASKET	
1798	7115820	7BD/5310-99-895-2225	WASHER, FLAT	
1799	7116108	7BD/2520-99-832-6431	HOUSING, SPEEDOMETER DRIVEN GEAR	
1800	7116131	7BD/2540-99-821-7529	CONNECTOR, CABLE END	
1801	7116894	6MT8/2920-99-806-8058	BOOT, DUST AND MOISTURE SEAL	
1802	7116991	6MT9/2530-99-800-4026	PIN, STOP	
1803	7117170	7BD/5310-99-137-1457	WASHER, FLAT	
1804	7117579	X5/6240-99-995-1170	LAMP, FILAMENT	
1805	7117968	7BD/2920-99-827-0588	LEAD, ELECTRICAL	
1806	7119613	7BD/5340-99-802-2729	SPACER, SLEEVE	
1807	7119755	6MT12/2910-99-807-8617	WASHER, TAB, CHOKE TUBE SCREW	
1808	7120807	7BD/5340-99-832-9253	PLUG, PROTECTIVE, DUST AND MOISTURE SEAL	
1809	7121200	7BD/5365-99-833-1210	SPACER, SLEEVE	
1810	7121201	7BD/2805-99-833-1211	GASKET, INTAKE MANIFOLD	

I T E M N O	Mfr Part Number	Catalogue Number	Item Name	Remarks
1811	7122048	7BD/5330-99-832-8676	RING, SEALING, TOROIDAL	
1812	7122049	7BD/5310-99-832-8677	WASHER, FLAT	
1813	7122257	7BD/2530-99-832-8678	SPRING, ANCHOR, BRAKE PUSH ROD	
1814	7122893	6MT14/2530-99-809-2791	FLANGE, AUTOMOTIVE WHEEL	
1815	7122914	7BD/3120-99-832-6448	WASHER, THRUST	
1816	7122915	7BD/3120-99-832-6449	WASHER, THRUST	
1817	7123272	6MT4/5940-99-881-2627	SPLICE, CONDUCTOR	
1818	7123759	6MT4/5920-99-804-8583	FUSE LINK, CARTRIDGE	
1819	7124522	7BD/3120-99-832-8688	BEARING, SLEEVE	
1820	7124923	7BD/5340-99-874-0908	PLUG, EXPANSION	
1821	7124993	6MT3/6250-99-828-2884	LAMPHOLDER	
1822	7125649	7BD/2530-99-895-2587	PAWL	
1823	7125845	X5/6240-99-995-2426	LAMP, FILAMENT	
1824	7125853	7BD/3120-99-802-2698	BUSHING, SLEEVE	
1825	7125867	7BD/5325-99-833-4832	GROMMET, RUBBER	
1826	7126018	7BD/2805-99-895-4198	PLUG, CUP, CYLINDER BLOCK WATER JACKET	
1827	7126027	7BD/5340-99-874-0910	STRAP, RETAINING	
1828	7126148	7BD/2815-99-802-3316	BRACKET, EYE, NON ROTATING SHAFT	
1829	7126302	7BD/5340-99-819-4751	PLUG, EXPANSION	
1830	7126382	7BD/5307-99-874-0911	STUD, PLAIN	
1831	7126384	7BD/2805-99-874-0913	GASKET, VENTURI	
1832	7126607	7BD/2805-99-895-0110	RING, STARTER, ENGINE	
1833	7126781	G1/5305-99-971-3704	SCREW, MACHINE	
1834	7126842	7BD/5306-99-874-0914	BOLT, MACHINE	
1835	7126883	6MT12/2910-99-807-5457	SPRING, PUMP ROD	
1836	7127250	7BD/4730-99-802-7538	PLUG, SCREWED	
1837	7127597	X5/6240-99-995-3281	LAMP, FILAMENT	
1838	7128917	7BD/5325-99-825-3589	GROMMET, RUBBER	
1839	7129082	7BD/5310-99-833-3250	NUT, PLAIN, ROUND	
1840	7129142	7BD/2805-99-874-0916	PUSH ROD, ENGINE POPPET VALVE	
1841	7129958	G1/5310-99-138-7241	NUT, SHEET SPRING	
1842	7130529	7BD/2520-99-832-6465	FLANGE, COMPANION, UNIVERSAL JOINT	
1843	7130531	6MT7/3110-99-895-3745	BEARING, TAPERED, ROLLER	
1844	7130561	7BD/2805-99-895-0559	GASKET	
1845	7131183	7BD/5330-99-822-1462	FELT, MECHANICAL, PREFORMED	
1846	7132947	7BD/5320-99-832-6466	RIVET, TUBULAR	
1847	7132948	7BD/2520-99-832-6467	BUSHING, SLEEVE	
1848	7133433	7BD/2805-99-874-0918	GASKET	
1849	7133473	6MT12/5310-99-807-7393	WASHER, FLAT	
1850	7133516	7BD/5310-99-802-5926	NUT, SHEET SPRING	
1851	7134147	6MT14/2530-99-809-2867	FLANGE, AUTOMOTIVE WHEEL	

I T E M N O	Mfr Part Number	Catalogue Number	Item Name	Remarks
1852	7134221	7BD/2805-99-802-3317	WASHER, ROCKER COVER	
1853	7134328	G1/5320-99-137-2945	RIVET, BLIND	
1854	7134953	7BD/2805-99-833-1144	GASKET	
1855	7134970	7BD/2540-99-874-0919	CONNECTING LINK, RIGID	
1856	7135808	7BD/2805-99-874-0921	GASKET	
1857	7135818	7BD/2805-99-833-1147	COVER PLATE, ACCESS	
1858	7136015	7BD/2805-99-833-1151	REINFORCEMENT, PUSH ROD COVER	
1859	7136054	7BD/5307-99-895-2462	STUD, PLAIN	
1860	7136258	7BD/2805-99-833-1152	SPRING, HELICAL, COMPRESSION	
1861	7136411	7BD/2520-99-832-6471	GEAR, HELICAL	
1862	7136746	7BD/2805-99-833-1155	SHAFT, STRAIGHT	
1863	7137816	6MT12/2910-99-811-0816	NOZZLE, FUEL, PRESSURE ATOMIZING	
1864	7137885	7BD/2805-99-895-4203	SEAL, OIL, FRONT BEARING CAP	
1865	7137894	7BD/2805-99-874-0923	GASKET	
1866	7138432	7BD/2815-99-813-5944	EYE, LIFTING	
1867	7138433	7BD/5306-99-813-5945	BOLT, MACHINE	
1868	7138434	7BD/5306-99-827-3774	BOLT, MACHINE	
1869	7138596	7BD/2805-99-833-1165	RETAINER, OIL PUMP SCREEN	
1870	7138766	7BD/2540-99-874-0924	NIPPLE, CONTROL	
1871	7138817	7BD/2805-99-895-0059	PIPE, OIL, ROCKER SHAFT	
1872	7138846	7BD/2805-99-895-9518	FLYWHEEL ASSEMBLY	
1873	7138868	7BD/5310-136-9302	WASHER, FLAT	
1874	7138904	7BD/2805-99-833-1213	ROCKER SHAFT ASSEMBLY	
1875	7138985	7BD/5307-99-832-6475	STUD, PLAIN	
1876	7139235	7BD/2815-99-831-3316	COVER, TIMING GEAR, INTERNAL COMBUSTION ENGINE	
1877	7139386	7BD/2910-99-895-0058	TUBE ASSEMBLY, FUEL DRAIN, COVER	
1878	7139387	7BD/2910-99-895-0057	TUBE ASSEMBLY, FUEL DRAIN, REAR	
1879	7140017	7BD/5307-99-139-3649	STUD, PLAIN	
1880	7140203	6MT12/2910-99-807-5458	DIAPHRAGM ASSEMBLY, CARBURETOR	
1881	7140340	7BD/4730-99-128-2092	BOLT, FLUID PASSAGE	
1882	7140427	6MT9/5310-99-136-6828	WASHER, FLAT	
1883	7140760	7BD/2520-99-832-6481	FLANGE, COMPANION, UNIVERSAL JOINT	
1884	7140832	7BD/5365-99-813-0020	PLUG, SCREWED	
1885	7140922	7BD/2540-99-895-0636	RETAINER, BATTERY	
1886	7141094	7BD/2920-99-874-0926	SLEEVE NOZZLE HOLDER	
1887	7141095	7BD/5330-99-895-2396	RING, SEALING, TOROIDAL	
1888	7141230	7BD/2805-99-833-1241	PIPE, STEEL	

I T E M N O	Mfr Part Number	Catalogue Number	Item Name	Remarks
1889	7141394	7BD/2520-99-832-6485	NUT, HEX, SPECIAL, LOCK	
1890	7141724	7BD/2520-99-874-0928	GEAR, SPUR	
1891	7141725	7BD/2805-99-833-1174	GEAR, HELICAL	
1892	7141801	7BD/4730-99-802-2199	PLUG, SCREWED	
1893	7141814	7BD/5310-99-874-0929	WASHER, FLAT	
1894	7141892	6MT12/2910-99-874-0930	VENTURI TUBE, CARBURETOR	
1895	7142422	7BD/5325-99-895-4474	GROMMET, RUBBER, TOOL STOWAGE BRACKET HOLES	
1896	7142917	7BD/5340-99-895-2412	BUSHING, RUBBER	
1897	7142953	6MT3/9905-99-942-6893	REFLECTOR, INDICATING, CLEARANCE	
1898	7143462	7BD/5307-99-833-1216	STUD, PLAIN	
1899	7143464	7BD/2805-99-833-1217	GASKET	
1900	7143923	7BD/2520-99-832-6550	DEFLECTOR, DIRT AND LIQUID	
1901	7143924	7BD/2520-99-832-6549	DEFLECTOR, DIRT AND LIQUID	
1902	7144235	7BD/5330-99-833-2432	GASKET	
1903	7144578	6MT1/2805-99-895-2342	BREATHER	
1904	7144599	7BD/5307-99-874-0931	STUD, SHOULDERED	
1905	7144626	7BD/2520-99-832-6637	SUPPORT, CLUTCH, FORK, BALL	
1906	7144743	7BD/2815-99-895-4211	GASKET, IGNITER	
1907	7144744	7BD/2520-99-832-6689	GEAR, HELICAL	
1908	7144969	7BD/3120-99-895-2457	BEARING, SLEEVE	
1909	7145267	7BD/5320-99-833-1179	RIVET, SOLID	
1910	7145704	7BD/4730-99-802-8879	BOLT, FLUID PASSAGE	
1911	7146790	7BD/2510-99-806-7066	PIN, ALIGNING, VEHICULAR LEAF SPRING	
1912	7146900	6MT3/6220-99-803-2492	FLASHER UNIT	
1913	7148064	7BD/5340-99-895-2421	PLUG, EXPANSION	
1914	7148976	7BD/5325-99-813-6376	FASTENER, SPRING TENSION, TRIM	
1915	7149084	7BD/5325-99-752-0010	GROMMET BLANK, NONMETALLIC	
1916	7149170	7BD/5320-99-725-8072	RIVET, BLIND	
1917	7149417	6MT10/2520-99-836-9080	COVER AND STRAP ASSEMBLY, CLUTCH	
1918	7149418	6MT10/2520-99-828-6756	PLATE, PRESSURE, CLUTCH	
1919	7149420	7BD/5320-99-138-3969	RIVET	
1920	7149995	7BD/3120-99-833-1184	BEARING, SLEEVE	
1921	7149998	7BD/3120-99-895-2456	BEARING, SLEEVE	
1922	7150341	7BD/2805-99-873-9405	VALVE, POPPET, ENGINE	
1923	7150608	7BD/2930-99-813-6387	HOSE, PREFORMED	
1924	7150650	7BD/3120-99-874-1735	WASHER, THRUST	
1925	7150805	7BD/2910-99-761-9494	SLEEVE, GOVERNOR SPEED SCREW	
1926	7150864	7BD/2815-99-761-2011	FLANGE, OIL SUMP DRAIN	

I T E M N O	Mfr Part Number	Catalogue Number	Item Name	Remarks
1927	7151101	7BD/5975-99-814-0072	PROTECTOR, ELECTRICAL CABLE	
1928	7151187	7BD/2520-99-802-6590	GEAR, SPUR	
1929	7151189	7BD/2520-99-802-6591	GEAR CLUSTER, SPUR	
1930	7152114	6MT3/6220-99-811-3468	HEADLIGHT	
1931	7152277	6MT12/2910-99-802-6556	VALVE, PRESSURING, FUEL INJECTION PUMP	
1932	7152538	6MT12/2910-99-814-8060	BAR, TORSION, FUEL PUMP	
1933	7153793	X5/6240-99-995-3247	LAMP, FILAMENT	
1934	7154094	7BD/4730-99-874-0935	BOLT, FLUID PASSAGE	
1935	7154614	7BD/5330-99-874-0937	GASKET	
1936	7155977	7BD/5310-99-814-0091	WASHER, FLAT	
1937	7156190	X3/2910-99-203-6522	PLATE, VERNIER, FUEL PUMP	
1938	7156192	6MT12/5305-99-807-9295	SCREW, MACHINE	
1939	7156324	6MT1/5330-99-618-7826	RING, SEALING, TOROIDAL	
1940	7156382	6MT9/2530-99-882-0330	JAR, EVAPORATOR	
1941	7156383	6MT10-99-812-4224	YOKE, UNIVERSAL JOINT	
1942	7156384	6MT12/2910-99-881-8157	COVER PLATE, ACCESS	
1943	7156387	6MT10/5310-99-836-8601	WASHER SPLIT	
1944	7156388	6MT10/5330-99-836-8602	PACKING, PREFORMED	
1945	7156400	6MT12/2910-99-802-6551	HOUSING ASSEMBLY, FUEL INJECTION PUMP	
1946	7156418	6MT4/5977-99-881-5729	BRUSH, ELECTRICAL CONTACT	
1947	7156450	6MT4/5305-99-881-4713	SCREW, MACHINE	
1948	7156476	X3/2990-99-201-3605	COVER, SPRING	
1949	7156478	X3/5310-99-201-3607	WASHER, FLAT	
1950	7156731	7BD/2520-99-814-0092	FLANGE AND MUDSLING ASSEMBLY	
1951	7156774	7BD/2530-99-814-8388	CLAMP, STEERING COLUMN	
1952	7156803	7BD/5340-99-828-0330	CLIP, HOSE RETAINING	
1953	7157170	7BD/2540-99-813-6342	SLIDE ASSEMBLY, SEAT	
1954	7157171	7BD/2540-99-813-6341	SLIDE ASSEMBLY, SEAT	
1955	7157810	7BD/2815-99-816-6240	MANIFOLD, INDUCTION, ENGINE	
1956	7159692	7BD/2910-99-874-0955	PIPE, STEEL	
1957	7159753	7BD/2815-99-818-9274	OIL SEAL, CRANKSHAFT BEARING	
1958	7160000	7BD/5305-99-814-0131	SCREW, SET	
1959	7160245	7BD/5340-99-874-0956	CLIP, SPRING TENSION	
1960	7160247	6MT1/5340-99-813-9234	CLIP, EDGE	
1961	7160278	7BD/2590-99-827-1382	BRACKET, EYE, NONROTATING SHAFT	
1962	7161197	7BD/2910-99-802-2742	NIPPLE, THROTTLE CONTROL	
1963	7161277	7BD/2805-99-874-1750	CLIP, CABLE, STOP AND TAILLIGHT HARNESS	
1964	7161344	7BD/5330-99-811-4010	GASKET	
1965	7161413	7BD/2590-99-809-7693	BRACKET, EYE, NONROTATING SHAFT	

ITEM NO	Mfr Part Number	Catalogue Number	Item Name	Remarks
1966	7161454	6MT12/2910-99-881-4425	PUMP, PRESSURIZING, FUEL SYSTEM	
1967	7161457	7BD/4730-99-874-0961	ADAPTOR, STRAIGHT, PIPE	
1968	7162423	6MT12/2910-99-807-8778	SPRING, HELICAL, COMPRESSION	
1969	7162426	6MT12/5310-99-808-4676	WASHER, FLAT	
1970	7162428	6MT12/5360-99-807-9792	SPRING, HELICAL, COMPRESSION	
1971	7162429	6MT12/2910-99-807-9224	SPRING, HELICAL, COMPRESSION	
1972	7162528	X3/5310-99-200-6090	WASHER, FLAT	
1973	7162581	6MT12/2910-99-807-8787	IMPELLER, PUMP, CENTRIFUGAL	
1974	7162583	6MT12/5330-99-807-9130	RING, SEALING, TOROIDAL	
1975	7162595	7BD/2520-99-978-1402	SHAFT DRIVE	
1976	7162600	6MT12/3110-99-807-8798	ROLLER, BEARING	
1977	7162601	6MT12/2910-99-807-8797	SHOE, CAM ROLLER	
1978	7162604	6MT12/5306-99-807-9141	BOLT, MACHINE	
1979	7162609	X3/2910-99-202-4013	CAM ADVANCE SCREW	
1980	7162618	6MT7/3110-99-950-0582	BALL, BEARING	
1981	7162672	X3/5365-99-201-4538	RING, RETAINING	
1982	7162673	6MT12/5360-99-802-6548	SPRING, HELICAL, COMPRESSION	
1983	7162742	6MT6/4710-99-801-7778	TUBING, PLASTICS	
1984	7162913	7BD/2520-99-874-1419	DIFFERENTIAL AND HYPOID GEAR ASSEMBLY	
1985	7162918	G1/5305-99-121-4847	SCREW, TAPPING, THREAD FORMING	
1986	7162920	6MT9/2530-99-402-7105	REPAIR KIT	
1987	7162926	7BD/5310-99-941-6413	NUT, PLAIN, HEXAGON	
1988	7162928	6MT9/2530-99-811-9732	DIAPHRAGM, VALVE, SPECIAL SHAPED	
1989	7162938	6MT9/2530-99-881-7933	PISTON ASSEMBLY	
1990	7162944	6MT9/4820-99-809-5759	DISC, VALVE, METALLIC	
1991	7162951	6MT9/5330-99-881-7926	GASKET	
1992	7162992	6MT9/5340-99-802-1863	CLIP, SPRING TENSION	
1993	7162995	6MT9/5340-99-822-0208	CAP-PLUG, DUST	
1994	7162996	6MT1/5365-99-910-8273	RING, RETAINING	
1995	7162998	6MT9/5360-99-817-0744	SPRING, HELICAL, COMPRESSION	
1996	7162999	6MT7/3110-99-950-0574	BALL, BEARING	
1997	7163077	7BD/2520-99-802-7536	RETAINER, ROUND NUT	
1998	7163316	7BD/2540-99-813-6343	SLIDE ASSEMBLY, SEAT	
1999	7163539	7BD/2520-99-874-1752	WASHER, DIFFERENTIAL SIDE GEAR, THRUST	
2000	7163540	7BD/2520-99-874-1752	WASHER, DIFFERENTIAL SIDE GEAR, THRUST	

I T E M N O	Mfr Part Number	Catalogue Number	Item Name	Remarks
2001	7163887	7BD/5310-99-138-5542	WASHER, SPRING TENSION	
2002	7165058	7BD/4720-99-895-9007	HOSE, RUBBER	
2003	7165062	7BD/2930-99-803-4532	HOSE, PREFORMED	
2004	7165097	6MT7/3110-99-806-8115	BEARING, PARALLEL ROLLER, JOURNAL	
2005	7165383	7BD/5365-99-874-0964	RING, RETAINING	
2006	7165458	7BD/3010-99-802-2219	FLANGE, COMPANION, UNIVERSAL JOINT	
2007	7165471	7BD/5340-99-874-0966	CONTROL ROD	
2008	7165672	7BD/2910-99-813-6331	STUD, FASTENER	
2009	7166024	7BD/5306-99-874-0898	VALVE, PRESSURE RELIEF	
2010	7166072	7BD/2590-99-802-6472	LEVER, REMOTE CONTROL	
2011	7166079	7BD/5330-99-802-6470	GASKET	
2012	7166143	7BD/5330-99-819-1663	GASKET	
2013	7166181	7BD/2805-99-874-1753	CRANKSHAFT ASSEMBLY	
2014	7166458	7BD/4730-99-874-1087	BOLT, FLUID PASSAGE	
2015	7166459	7BD/2805-99-874-0970	TWO WAY TEE AND NON- RETURN VALVE	
2016	7166464	7BD/4730-99-874-0971	ADAPTOR, STRAIGHT, PIPE	
2017	7166701	6MT3/2540-99-814-0865	MIRROR ASSEMBLY, REARVIEW	
2018	7166702	6MT3/2540-99-808-3837	ARM, REARVIEW MIRROR	
2019	7166703	6MT3/2540-99-808-3838	ARM, REARVIEW MIRROR	
2020	7166891	7BD/2590-99-978-0464	GUSSET ASSEMBLY, SILL PANEL, LOWER LEFT HAND	
2021	7166892	7BD/2590-99-978-0279	PANEL, RIGHT HAND	
2022	7166893	7BD/2590-99-978-0280	PANEL, LEFT HAND	
2023	7166929	7BD/5340-99-874-0974	HANDLE, DOOR, OUTSIDE	
2024	7166940	7BD/2540-99-802-1649	HANDLE, VENTILATOR WINDOW	
2025	7166941	7BD/2540-99-802-1650	HANDLE, VENTILATOR WINDOW	
2026	7166944	7BD/2510-99-874-0979	CHANNEL ASSEMBLY, DOOR DIVISION	
2027	7166945	7BD/2510-99-874-0980	CHANNEL ASSEMBLY, DOOR DIVISION	
2028	7166972	7BD/2540-99-830-6588	HANDLE ASSEMBLY	
2029	7167049	7BD/2510-99-827-0328	BRACKET, SUPPORT, TOWING HOOK	
2030	7167108	7BD/2530-99-808-4265	COVER PLATE, ACCESS	
2031	7167116	7BD/2520-99-802-5368	SHIM	
2032	7167117	7BD/2520-99-802-5369	GASKET	
2033	7167250	6MT9/2530-99-802-2634	CYLINDER ASSEMBLY, HYDRAULIC BRAKE, WHEEL	
2034	7167251	6MT9/2530-99-802-2635	CYLINDER ASSEMBLY, HYDRAULIC BRAKE WHEEL	
2035	7167252	6MT9/2530-99-813-9799	CYLINDER ASSEMBLY, HYDRAULIC BRAKE WHEEL	

I T E M N O	Mfr Part Number	Catalogue Number	Item Name	Remarks
2036	7167253	6MT9/2530-99-814-0002	CYLINDER ASSEMBLY, HYDRAULIC BRAKE WHEEL	
2037	7167277	7BD/2520-99-874-0986	GEAR SET, BEVEL, MATCH	
2038	7167342	7BD/2530-99-874-0989	STEERING GEAR	
2039	7167343	7BD/2530-99-874-0990	STEERING GEAR	
2040	7167443	7BD/5340-99-813-6264	MOUNT, RESILIENT	
2041	7167971	7BD/5365-99-830-4258	SPACER, SLEEVE	
2042	7169084	7BD/2510-99-811-0973	SHACKLE, LEAF SPRING ASSEMBLY	
2043	7169089	6MT4/2920-99-811-0993	STARTER, ENGINE, ELECTRICAL	
2044	7169121	7BD/2520-99-802-5348	GEAR, HELICAL	
2045	7169210	7BD/5340-99-874-0997	FORK END	
2046	7169224	7BD/2520-99-874-0998	PIN	
2047	7169280	6MT9/5905-99-805-5098	HOLDER, RESISTOR	
2048	7169282	7BD/2590-99-809-9379	RING, AMMETER BASE	
2049	7169381	7BD/3730-99-874-1006	ADAPTOR, STRAIGHT, PIPE	
2050	7169454	7BD/2910-99-874-1012	PIPE ASSEMBLY, INJECTOR FUEL RETURN	
2051	7169462	7BD/2520-99-814-0093	SELECTOR FORK ASSEMBLY	
2052	7169476	7BD/2520-99-802-5367	COVER AND OIL SEAL ASSEMBLY	
2053	7169531	7BD/2815-99-819-2584	MANIFOLD, EXHAUST, ENGINE	
2054	7169697	7BD/2815-99-874-1013	CYLINDER HEAD, DIESEL ENGINE	
2055	7169785	7BD/2815-99-813-5935	PLATE, BLANKING	
2056	7169892	7BD/2815-99-811-4019	MANIFOLD, INDUCTION, ENGINE	
2057	7169893	6MT12/2910-99-943-4089	PUMP ASSEMBLY, AUXILIARY STARTING	
2058	7169894	6MT12/2910-99-811-4759	INJECTOR ASSEMBLY, PUMP, ENGINE PRIMING	
2059	7169895	6MT1/4730-99-801-1768	NUT UNION	
2060	7169896	6MT1/4730-99-801-1769	SLEEVE, COMPRESSION, TUBE- HOSE FITTING	
2061	7170035	6MT3/6220-99-804-5566	PLATE, RETAINING, LIGHT UNIT	
2062	7170344	7BD/4720-99-819-4752	HOSE, RUBBER	
2063	7170564	7BD/2510-99-825-6695	REINFORCEMENT ASSEMBLY, HINGE PILLAR	
2064	7170565	7BD/2510-99-825-6696	REINFORCEMENT ASSEMBLY, HINGE PILLAR	
2065	7170695	7BD/5340-99-813-6221	SPINDLE, LOCK	
2066	7170716	7BD/2510-99-806-6653	SEAL, RUBBER SPECIAL	
2067	7170717	7BD/2510-99-806-6654	SEAL, RUBBER SPECIAL	
2068	7170723	7BD/5340-99-813-6286	BUMPER, RUBBER	
2069	7170860	G1/5305-99-122-2100	SCREW, SOCKET HEAD	
2070	7171665	7BD/5310-99-808-4172	WASHER, FLAT	
2071	7171734	7BD/2520-99-813-9798	COVER PLATE, ACCESS	

I T E M N O	Mfr Part Number	Catalogue Number	Item Name	Remarks
2072	7171785	7BD/5340-99-808-4180	BUSHING, MACHINE THREAD	
2073	7171787	7BD/2520-99-802-5133	PACKING, PREFORMED	
2074	7171788	7BD/2520-99-810-1019	SPACER, SEATING	
2075	7171790	7BD/2520-99-802-5129	HOUSING, SELECTOR LEVER GEAR-BOX	
2076	7173276	7BD/2805-99-817-6590	GASKET, ROCKER COVER	
2077	7173283	7BD/2815-99-817-6597	GASKET, PUSH ROD COVER	
2078	7173285	7BD/5307-99-136-5409	STUD, PLAIN	
2079	7173411	7BD/2590-99-825-7995	RELAY SHAFT ASSEMBLY	
2080	7173415	7BD/2540-99-814-7900	CLIP, THROTTLE CONTROL	
2081	7173420	7BD/2815-99-819-1664	GASKET, CRANKCASE	
2082	7173427	7BD/2815-99-819-1665	DOWEL, FLUID TRANSFER	
2083	7174132	7BD/2590-99-811-4025	CONNECTING LINK, RIGID	
2084	7174184	7BD/2520-99-135-6547	SCREW, BALL SPRING RETAINER, STRIKING FORK LOCK	
2085	7174289	7BD/3120-99-802-6522	WASHER, THRUST	
2086	7174291	7BD/3120-99-802-6524	WASHER, THRUST	
2087	7174292	7BD/3120-99-802-6525	WASHER, THRUST	
2088	7174294	7BD/3120-99-802-6527	WASHER, THRUST	
2089	7174295	7BD/3120-99-802-6528	WASHER, THRUST	
2090	7174501	7BD/5315-99-825-3546	PIN, STRAIGHT, HEADLESS	
2091	7174690	Z42/5975-99-805-6457	NUT, COUPLING, ELECTRICAL CONDUIT	
2092	7174691	6MT3/6220-99-821-5663	SEALING CONE, SIDELIGHT	
2093	7174770	6MT10/3120-99-202-9001	WASHER, THRUST	
2094	7174888	6MT12/4730-99-201-4620	CONNECTOR, MULTIPLE, FLUID PRESSURE LINE	
2095	7174928	6MT1/4730-99-801-1390	SLEEVE, COMPRESSION, PIPE- HOSE FITTING	
2096	7174929	6MT1/4730-99-801-1367	NUT, UNION, PIPE	
2097	7175344	7BD/2590-99-819-5474	LEAD, ELECTRICAL	
2098	7175387	7BD/6140-99-827-9822	LEAD, BATTERY	
2099	7175389	6MT3/6220-99-810-6906	HEADLIGHT	
2100	7175420	7BD/5340-99-802-5319	ESCUTCHEON PLATE	
2101	7175421	7BD/5340-99-802-5320	ESCUTCHEON PLATE	
2102	7175430	7BD/5310-99-802-5321	NUT, PLAIN, ROUND	
2103	7175456	G1/5305-99-137-7874	SCREW, TAPPING, THREAD FORMING	
2104	7175462	7BD/2920-99-824-8884	BOOT, DUST AND MOISTURE SEAL	
2105	7175490	7BD/2920-99-802-5924	BOOT, DUST AND MOISTURE SEAL	
2106	7176637	7BD/2920-99-811-4750	PULLEY, GROOVE	
2107	7176661	7BD/2920-99-819-2148	FLANGE, STARTER MOUNTING	
2108	7176674	7BD/5315-99-802-1254	KEY, WOODRUFF	
2109	7176970	7BD/2590-99-808-1416	CONTROL ROD	

I T E M N O	Mfr Part Number	Catalogue Number	Item Name	Remarks
2110	7176971	7BD/2590-99-825-7823	CONTROL ASSEMBLY, PUSH-PULL	
2111	7177850	7BD/4710-99-817-6933	PIPE, PLASTICS, SEMIRIGID	
2112	7177998	7BD/2520-99-819-1682	FORK CLUTCH OPERATING	
2113	7177999	7BD/5307-99-819-1683	STUD, BALL	
2114	7178506	7BD/5310-99-160-3744	NUT, SELF-LOCKING, HEXAGON	
2115	7178514	6MT3/6220-99-882-0195	LIGHT UNIT, HEADLIGHT	
2116	7178568	6MT9/2530-99-814-0009	HYDRAULIC BRAKE WHEEL CYLINDER ASSEMBLY	
2117	7178672	6MT12/2910-99-813-4137	ROTOR-ASSEMBLY, FUEL INJECTION PUMP	
2118	7178673	G1/5320-99-134-3122	RIVET, SOLID	
2119	7178842	7BD/2520-99-802-8716	HOUSING, CLUTCH	
2120	7178861	6MT4/5970-99-808-1647	INSULATOR, FEED THROUGH	
2121	7178864	6MT4/2920-99-204-1096	INSULATOR, FIELD TERMINAL	
2122	7178866	6MT4/5940-99-808-1750	TERMINAL ASSEMBLY	
2123	7178867	6MT4/2590-99-808-1645	INSULATOR, DIVIDING PLATE	
2124	7178871	G1/5305-99-136-4734	SCREW, MACHINE	
2125	7178873	6MT4/5310-99-202-8413	WASHER, LOCK	
2126	7178874	6MT4/2920-99-808-1754	STATOR, ENGINE, GENERATOR	
2127	7178876	6MT4/2920-99-808-1756	RING ASSEMBLY, ELECTRICAL CONTACT	
2128	7178877	6MT1/5365-99-910-8238	RING, RETAINING	
2129	7178878	6MT7/3110-99-808-1757	BEARING, BALL, JOURNAL	
2130	7178879	6MT4/2920-99-812-3795	SPACER, ALTERNATOR, ROTOR	
2131	7178880	6MT1/5315-99-943-5956	KEY, WOODRUFF	
2132	7178883	6MT7/3110-99-808-1760	BEARING, BALL, JOURNAL	
2133	7178891	6MT4/2920-99-808-1767	SEAL AND GASKET SET	
2134	7179150	7BD/2510-99-001-1811	WINDSCREEN, VEHICULAR	
2135	7179260	7BD/5340-99-837-8910	STRIP, RETAINING, METALLIC	
2136	7179261	7BD/5340-99-830-7492	RETAINER, SEAL, GEARSHIFT	
2137	7179262	7BD/5340-99-837-8911	STRIP, RETAINING, METALLIC	
2138	7179263	7BD/5340-99-837-8912	STRIP, RETAINING, METALLIC	
2139	7179266	G1/5310-99-137-6551	NUT, SHEET SPRING	
2140	7179340	7BD/2540-99-814-7926	MAT, FLOOR	
2141	7179476	7BD/5330-99-817-0561	SEAL, VENTILATOR LID	
2142	7179477	7BD/2510-99-813-6332	GRILLE, NONMETALLIC	
2143	7179484	7BD/5325-99-820-2276	GROMMET, SPECIAL	
2144	7179485	7BD/5325-99-813-6335	GROMMET, SPECIAL	
2145	7179487	6MT1/2540-99-813-6226	NOZZLE, AIR DUCT	
2146	7179497	7BD/2510-99-813-6283	RAIL ASSEMBLY, FRONT PANEL SUPPORT	
2147	7179525	6MT3/6220-99-819-3565	HEADLIGHT	
2148	7179594	7BD/5340-99-813-9238	CLIP, CABLE	
2149	7179616	6MT3/6220-99-810-7757	HEADLIGHT	
2150	7179621	7BD/5340-99-825-8741	STRAP, RETAINING	
2151	7179963	7BD/5930-99-811-0825	SWITCH, PRESSURE	

I T E M N O	Mfr Part Number	Catalogue Number	Item Name	Remarks
2152	7180569	7BD/2930-99-813-6386	HOSE, PREFORMED	
2153	7180594	7BD/2805-99-811-7235	PULLEY, GROOVE	
2154	7180708	7BD/4720-99-816-7124	TUBING, PLASTICS	
2155	7181680	7BD/3120-99-802-6529	WASHER, THRUST	
2156	7181771	7BD/2520-99-813-6021	KNOB, GEAR LEVER	
2157	7181805	7BD/2520-99-802-5134	PACKING, PREFORMED	
2158	7181808	7BD/5310-99-802-5136	WASHER, FLAT	
2159	7181809	7BD/5310-99-802-5135	WASHER, SPLIT	
2160	7181847	7BD/4710-99-817-6933	PIPE, PLASTICS, SEMIRIGID	
2161	7181857	7BD/2520-99-819-1685	GASKET, GEARBOX CASING, FRONT	
2162	7181904	7BD/2590-99-811-4024	CONNECTING LINK, RIGID	
2163	7182569	6MT1/4730-99-811-4014	NUT, UNION, PIPE	
2164	7182570	7BD/2910-99-813-6396	ADAPTOR, FUEL FILTER	
2165	7182571	6MT1/4820-99-805-3644	COCK, PLUG	
2166	7182685	7BD/2805-99-813-4713	VALVE, EXHAUST	
2167	7182737	7BD/2940-99-802-5929	HOSE, PREFORMED	
2168	7182739	7BD/2805-99-802-2694	COVER, ROCKER, ENGINE	
2169	7182777	7BD/2930-99-810-9938	PUMP, CENTRIFUGAL	
2170	7182817	7BD/5340-99-802-2740	SPRING, HELICAL, COMPRESSION	
2171	7182976	7BD/4730-99-802-8712	ADAPTOR, STRAIGHT, PIPE	
2172	7183651	6MT1/5330-99-814-0075	SEAL, PLAIN, ENCASED	
2173	7183866	7BD/5306-99-139-3091	BOLT, RIBBED SHOULDER	
2174	7183867	7BD/5306-99-139-3092	BOLT, RIBBED SHOULDER	
2175	7183941	7BD/2540-99-806-6660	PEDAL, CONTROL	
2176	7184176	7BD/5306-99-813-5946	BOLT, MACHINE	
2177	7184247	7BD/2920-99-813-9786	BRACKET, ENGINE ACCESSORY GENERATOR	
2178	7184581	7BD/2540-99-822-1028	CONNECTOR, THROTTLE CONTROL	
2179	7184621	7BD/5355-99-802-5125	KNOB	
2180	7184635	6MT1/6685-99-813-9937	GAUGE, PRESSURE INDICATING	
2181	7184753	EQPT/5340-99-811-0749	BUMPER, RUBBER	
2182	7185643	7BD/2590-99-813-6337	PANEL, INSTRUMENT, VEHICULAR	
2183	7185644	7BD/2590-99-813-6336	PANEL, INSTRUMENT, VEHICULAR	
2184	7185651	7BD/2590-99-978-0272	PANEL	
2185	7185666	7BD/2510-99-768-5728	COVER ASSEMBLY, ENGINE	
2186	7185667	7BD/2590-99-736-4171	COVER	
2187	7185691	7BD/2540-99-820-2039	BOOT, DUST AND MOISTURE SEAL	
2188	7185694	7BD/5325-99-820-2040	GROMMET, PLASTICS	
2189	7185784	7BD/2540-99-825-6875	RETAINER, MUDFLAP	
2190	7185785	7BD/2540-99-825-6876	RETAINER, MUDFLAP	

I T E M N O	Mfr Part Number	Catalogue Number	Item Name	Remarks
2191	7185831	7BD/2540-99-752-0053	SUPPORT TUBE, MUDGUARD	
2192	7185883	7BD/2510-99-806-6655	RUBBER SPECIAL SHAPED SECTION	
2193	7185903	G1/5306-99-941-6585	BOLT, MACHINE	
2194	7186648	7BD/5970-99-135-1966	INSULATOR, WASHER	
2195	7186769	7BD/3120-99-824-8885	BEARING, SLEEVE	
2196	7186773	7BD/2530-99-814-8189	TREAD PLATE	
2197	7186775	7BD/5315-99-814-8191	PIN, STRAIGHT, HEADED	
2198	7186780	7BD/2530-99-814-8188	PEDAL, CONTROL	
2199	7186785	7BD/2530-99-828-9454	PUSH ROD, BRAKE LEVER	
2200	7186904	7BD/2540-99-825-4182	STEM ASSEMBLY	
2201	7187554	7BD/5340-99-957-4059	BRACKET, MOUNTING	
2202	7187555	7BD/5340-99-991-2386	BRACKET, MOUNTING	
2203	7187556	7BD/2540-99-782-8129	LEVER, REMOTE CONTROL	
2204	7187562	7BD/2540-99-822-0998	CROSS SHAFT, THROTTLE CONTROL	
2205	7187566	7BD/2540-99-792-4813	LEVER, REMOTE CONTROL	
2206	7187568	7BD/2990-99-825-1683	BRACKET, CROSS, SHAFT, ACCELERATOR	
2207	7187571	7BD/2990-99-825-1688	BRACKET, CROSS, SHAFT, ACCELERATOR	
2208	7187579	7BD/5360-99-820-2043	SPRING, HELICAL, COMPRESSION	
2209	7187581	7BD/2540-99-820-2038	BUSH, RETAINING NIPPLE	
2210	7187582	7BD/3120-99-814-7956	BUSHING, SLEEVE	
2211	7187583	7BD/2910-99-820-2041	BUSH, THROTTLE ROD	
2212	7187829	7BD/4730-99-824-9813	ADAPTOR, PIPE FITTING	
2213	7187915	7BD/2910-99-791-2147	CARRIER, FUEL PUMP	
2214	7187916	7BD/2815-99-813-5939	BOLT, CONNECTING ROD	
2215	7188085	X3/2910-99-202-0024	PLATE, ADJUSTING, TOP	
2216	7188100	6MT3/6220-99-823-7247	LIGHT UNIT, HEADLIGHT	
2217	7188102	6MT3/5330-99-809-0590	GASKET	
2218	7188175	6MT12/2910-99-802-6543	LINER, TRANSFER PRESSURE PUMP	
2219	7188319	7BD/4710-99-817-6933	PIPE, PLASTICS, SEMIRIGID	
2220	7189650	7BD/2815-99-829-5039	PIPE, STEEL	
2221	7189743	7BD/2540-99-814-7955	BUSH, ACCELERATOR SHAFT	
2222	7189917	7BD/5330-99-817-9258	GASKET	
2223	7190032	G1/5310-99-710-7986	WASHER, FLAT	
2224	7190083	6MT10/2520-99-819-3476	TOWER ASSEMBLY, GEARSHIFT	
2225	7190084	6MT10/2520-99-819-3477	LEVER ASSEMBLY, GEARSHIFT	
2226	7190091	G1/5305-99-941-0538	SCREW, CAP, HEXAGON HEAD	
2227	7190092	G1/5310-99-941-6656	WASHER, LOCK	
2228	7190405	6MT10/2520-99-809-1834	BOLT AND FERRULE ASSEMBLY	

I T E M N O	Mfr Part Number	Catalogue Number	Item Name	Remarks
2229	7190411	7BD/2520-99-814-0746	LUG, SELECTOR FORK, GEARBOX	
2230	7190609	7BD/2805-99-805-8263	BOLT, FLYWHEEL	
2231	7190953	6MT9/4730-99-882-0268	ADAPTOR, STRAIGHT, PIPE	
2232	7190968	7BD/5310-99-769-3043	WASHER, FLAT	
2233	7190999	7BD/2520-99-814-7968	ROD ASSEMBLY, GEARSHIFT	
2234	7191159	G1/5305-99-137-7358	SCREW, TAPPING, THREAD FORMING	
2235	7191756	7BD/4710-99-825-2111	PIPE, STEEL	
2236	7191812	G1/5305-99-941-0530	BOLT, MACHINE	
2237	7191818	7BD/2815-99-828-0736	LINER, CYLINDER	
2238	7191918	6MT12/2920-99-813-6563	COUPLING, SHAFT, VERNIER ADJUSTMENT	
2239	7191962	7BD/5310-99-136-5416	WASHER, FLAT	
2240	7191998	7BD/5330-99-136-5410	GASKET	
2241	7191999	7BD/5310-99-136-5411	WASHER, FINISHING	
2242	7193513	7BD/2520-99-814-7970	TUBE	
2243	7193587	6MT9/2530-99-804-3687	VALVE	
2244	7193615	7BD/2520-99-814-7969	ROD ASSEMBLY, GEARSHIFT	
2245	7193739	7BD/5306-99-135-7403	BOLT, MACHINE	
2246	7193861	7BD/4730-99-814-8365	ADAPTOR, STRAIGHT, PIPE	
2247	7193862	6MT9/4730-99-881-9856	TEE, PIPE	
2248	7193864	6MT9/4730-99-822-0223	ELBOW, PIPE FITTING	
2249	7193869	7BD/2530-99-814-0008	CONE, SPLIT	
2250	7193957	6MT9/4730-99-882-0271	TEE, PIPE	
2251	7193973	6MT9/4730-99-810-1923	ADAPTOR, ELBOW, PIPE	
2252	7194237	6MT3/6220-99-808-3842	LIGHT, DOME	
2253	7194355	X5/6240-99-995-4529	LAMP, FILAMENT	
2254	7194356	X5/6240-99-995-2615	LAMP, FILAMENT	
2255	7194423	6MT4/6250-99-810-1633	LAMPHOLDER AND CABLE ASSEMBLY	
2256	7194508	7BD/2530-99-830-8903	STEADY POST	
2257	7194572	6MT10/3020-99-827-6839	GEAR, HELICAL	
2258	7194586	6MT10/2520-99-881-7912	FACING, CLUTCH	
2259	7194591	6MT9/2540-99-823-6316	PLUG, FILLER	
2260	7194834	6MT1/5365-99-910-8289	RING, RETAINING	
2261	7194891	G1/5310-99-941-2418	NUT, PLAIN, HEXAGON	
2262	7195180	7BD/2530-99-822-7769	BRACKET, STEERING COLUMN	
2263	7195272	6MT4/4720-99-813-6373	ADAPTOR, STRAIGHT, PIPE TO HOSE	
2264	7195323	7BD/2540-99-813-6364	BRACKET, MIRROR	
2265	7195324	7BD/2540-99-813-6363	BRACKET, MIRROR	
2266	7195403	7BD/2540-99-813-6366	GASKET	
2267	7195441	7BD/5970-99-813-6365	INSULATOR, WASHER	
2268	7195498	7BD/2540-99-813-6347	BEADING, FAT MUDGUARD EXTERNAL	
2269	7195540	7BD/5306-99-122-1649	BOLT, MACHINE	

ITEM NO	Mfr Part Number	Catalogue Number	Item Name	Remarks
2270	7195590	G1/5306-99-941-6598	BOLT, MACHINE	
2271	7195654	6MT1/5330-99-806-8588	SEAL, PLAIN	
2272	7195682	7BD/5305-99-816-6239	SCREW, SELF-LOCKING	
2273	7195781	7BD/2805-99-822-7982	COVER, ROCKER, ENGINE	
2274	7195813	7BD/2910-99-830-2580	PARTS KIT, FLUID PRESSURE FILTER	
2275	7195893	7BD/5340-99-814-8369	STRAP, RETAINING	
2276	7195894	7BD/5340-99-823-0383	STRAP, RETAINING	
2277	7197520	6MT9/4730-99-881-9852	ADAPTOR, ELBOW, PIPE	
2278	7197550	6MT9/4820-99-802-8308	REGULATOR, FLUID PRESSURE	
2279	7197673	7BD/2520-99-809-9745	BOOT, DUST AND MOISTURE SEAL	
2280	7197695	7BD/3020-99-813-5959	GEAR, BEVEL	
2281	7197722	6MT3/2540-99-808-3833	CONTAINER ASSEMBLY, WINDSCREEN	
2282	7197724	6MT3/2540-99-808-2280	CONTROL ASSEMBLY, WINDSCREEN WASHER	
2283	7197725	6MT3/2540-99-808-3834	FILLER PLUG, CONTAINER, WINDSCREEN WASHER	
2284	7197810	6MT9/4730-99-833-9289	SLEEVE, COMPRESSION, PIPE- HOSE FITTING	
2285	7197811	6MT9/4730-99-833-8077	NUT, UNION, PIPE	
2286	7197823	7BD/2590-99-806-6663	ESCUTCHEON AND TUBE ASSEMBLY	
2287	7197840	7BD/5340-99-805-8264	PLUG, PROTECTIVE, DUST AND MOISTURE SEAL	
2288	7197845	6MT14/2530-99-809-1729	WHEEL, PNEUMATIC TYRE	
2289	7197858	6MT9/4730-99-829-8470	ADAPTOR, STRAIGHT, PIPE	
2290	7197897	6MT3/4730-99-808-3836	CONNECTOR-MENDER, PIPE	
2291	7199030	7BD/2940-99-811-0980	ADAPTOR, OIL FILTER	
2292	7199175	7BD/3040-99-829-7397	CONNECTING LINK, RIGID	
2293	7199178	7BD/5360-99-822-1029	SPRING, EXTENSION	
2294	7199351	6MT12/5340-99-710-2142	BUSHING, RUBBER	
2295	7200095	7BD/4720-99-825-6678	HOSE, RUBBER	
2296	7200121	7BD/4730-99-811-0812	TEE, PIPE	
2297	7200126	6MT9/4720-99-813-6038	HOSE ASSEMBLY, RUBBER	
2298	7200144	EQPT/4730-99-811-0741	ADAPTOR, ELBOW, PIPE	
2299	7200228	7BD/2510-99-806-8646	STEP, VEHICULAR, ACCESS	
2300	7200229	7BD/2540-99-808-3829	STEP, VEHICULAR, ACCESS	
2301	7200251	7BD/2540-99-819-8137	TORQUE ROD ASSEMBLY, ENGINE	
2302	7200542	7BD/2540-99-806-1915	SEAL, NONMETALLIC	
2303	7200549	7BD/5315-99-734-6429	PIN, STRAIGHT, HEADED	
2304	7200557	7BD/2540-99-811-3673	BUMPER, VEHICULAR	
2305	7200600	7BD/2510-99-825-6690	REINFORCEMENT ASSEMBLY, SUPPORT RAIL	
2306	7200603	7BD/5325-99-814-7927	GROMMET, RUBBER	

I T E M N O	Mfr Part Number	Catalogue Number	Item Name	Remarks
2307	7200607	7BD/2520-99-809-8467	BOOT, DUST AND MOISTURE SEAL	
2308	7200879	7BD/2540-99-830-7763	ARM, ENGINE COVER	
2309	7200909	7BD/2590-99-825-8748	PLATE, REINFORCEMENT	
2310	7201322	7BD/2540-99-820-2037	PEDAL, CONTROL	
2311	7201376	7BD/5330-99-819-2550	GASKET	
2312	7202512	6MT1/5315-99-819-1691	PIN, STRAIGHT, HEADLESS	
2313	7202514	G1/5315-99-943-5951	KEY, WOODRUFF	
2314	7202519	6MT12/3040-99-825-3543	COUPLING HALF, SHAFT	
2315	7202520	X3/2910-99-202-8514	PLATE, CLAMP	
2316	7202521	G1/5310-99-135-9302	WASHER, LOCK	
2317	7202524	6MT9/2530-99-813-9582	CYLINDER, RECIPROCATING COMPRESSOR	
2318	7202525	6MT9/2530-99-813-9755	GASKET	
2319	7202526	6MT9/2530-99-813-9571	CRANKSHAFT, COMPRESSOR	
2320	7202529	6MT9/3120-99-881-5203	WASHER, THRUST	
2321	7202530	6MT9/2530-99-813-9573	GASKET	
2322	7202532	6MT9/3120-99-813-9572	BEARING, SLEEVE	
2323	7202535	6MT9/2530-99-813-9765	COVER PLATE, ACCESS	
2324	7202536	6MT9/2530-99-813-9766	GASKET, COVER PLATE, SUMP	
2325	7202541	6MT9/2530-99-813-9760	DISC, SOLID, PLAIN	
2326	7202543	6MT9/5330-99-813-9583	JOINT	
2327	7202544	6MT9/2530-99-813-9761	PLUNGER, UNLOADER VALVE	
2328	7202545	6MT9/5360-99-813-9757	SPRING, HELICAL, COMPRESSION	
2329	7202546	6MT9/5360-99-813-9759	SPRING, HELICAL, COMPRESSION	
2330	7202550	6MT9/2530-99-813-9758	DISC, SOLID, PLAIN	
2331	7202552	6MT9/3120-99-813-9577	BEARING HALF, SLEEVE	
2332	7202554	6MT9/2530-99-813-9579	PISTON, COMPRESSOR	
2333	7202555	6MT9/4310-99-813-9580	RING, PISTON	
2334	7202556	6MT9/2530-99-813-9581	RING, PISTON	
2335	7202558	6MT9/4310-99-814-0645	PARTS KIT, POWER DRIVEN RECIPROCATING COMPRESSOR	
2336	7202574	6MT9/3120-99-813-9575	BEARING, SLEEVE	
2337	7202839	G1/5305-99-941-6317	SCREW, CAP, HEXAGON HEAD	
2338	7203204	6MT9/4730-99-810-1872	ADAPTOR, TEE, PIPE	
2339	7203217	7BD/4730-99-810-1876	ADAPTOR, STRAIGHT, PIPE	
2340	7203274	7BD/5310-99-811-0740	NUT, PLAIN, HEXAGON	
2341	7203294	7BD/3040-99-812-9278	BELL CRANK	
2342	7203295	7BD/2540-99-814-8195	SHAFT, BRAKE-PEDAL ASSEMBLY	
2343	7203296	7BD/2520-99-814-0654	LEVER ASSEMBLY, CLUTCH PEDAL	
2344	7203318	7BD/2530-99-811-0968	LINK, ANCHOR, BRAKE-SHOE	
2345	7203319	7BD/2530-99-811-0971	BUSHING, SLEEVE	

ITEM NO	Mfr Part Number	Catalogue Number	Item Name	Remarks
2346	7203320	7BD/2530-99-811-3106	PIN, ANCHOR LINK, LEADING SHOE	
2347	7203321	7BD/2530-99-811-3107	PIN, ANCHOR LINK, TRAILING SHOE	
2348	7203322	7BD/5360-99-817-2399	SPRING, FLAT, PREBENT	
2349	7203323	7BD/5360-99-817-2407	SPRING, FLAT, PREBENT	
2350	7203324	7BD/5365-99-811-3105	SPACER, SLEEVE	
2351	7203325	7BD/5360-99-819-1888	SPRING, HELICAL, EXTENSION	
2352	7203432	7BD/5306-99-135-6548	BOLT, MACHINE	
2353	7204103	7BD/3120-99-806-6657	WASHER, THRUST	
2354	7204134	7BD/2805-99-811-7230	WASHER HALT, THRUST	
2355	7204257	7BD/2805-99-808-2285	TAPPET, ENGINE POPPET VALVE	
2356	7204264	7BD/4720-99-819-2582	HOSE, PREFORMED	
2357	7204322	7BD/2805-99-811-7232	WASHER HALF, THRUST	
2358	7204323	7BD/2805-99-811-7234	WASHER HALF, THRUST	
2359	7204324	7BD/2805-99-811-7229	WASHER HALF, THRUST	
2360	7204325	7BD/2805-99-811-7231	WASHER HALF, THRUST	
2361	7204326	7BD/2805-99-811-7233	WASHER HALF, THRUST	
2362	7204348	7BD/2930-99-809-4909	GASKET	
2363	7204355	7BD/4320-99-817-0255	PUMP, ROTARY, POWER DRIVEN	
2364	7204476	7BD/5340-99-819-7654	NIPPLE, SPRING RETAINING	
2365	7204477	7BD/2540-99-814-7963	LEVER, REMOTE CONTROL	
2366	7204604	6MT9/4730-99-803-5492	ADAPTOR, STRAIGHT, PIPE	
2367	7204643	6MT1/4730-99-827-9248	NUT, UNION, PIPE	
2368	7204644	7BD/5310-99-814-0666	WASHER, FLAT	
2369	7204863	6MT9/2530-99-814-8371	TANK, PRESSURE	
2370	7204904	7BD/2520-99-805-8413	GEAR CLUSTER, HELICAL-SPUR	
2371	7206269	7BD/3120-99-818-9275	BEARING, SLEEVE	
2372	7206270	7BD/3120-99-818-9276	BEARING, SLEEVE	
2373	7206271	7BD/3120-99-818-9277	BEARING, SLEEVE	
2374	7206272	7BD/3120-99-818-9278	BEARING, SLEEVE	
2375	7206651	6MT1/5365-99-802-6438	RING, RETAINING	
2376	7206696	6MT12/2910-99-822-2299	SHAFT, SHOULDERED	
2377	7206697	6MT12/2910-99-822-2750	LEVER, REMOTE CONTROL	
2378	7207559	7BD/2530-99-819-1568	BACKPLATE, SHOE TYPE BRAKE	
2379	7207560	7BD/2530-99-819-1567	BACKPLATE, SHOE TYPE BRAKE	
2380	7207652	6MT9/2530-99-814-8375	TANK, PRESSURE	
2381	7207728	6MT9/2530-99-822-2623	HOSE ASSEMBLY, RUBBER	
2382	7207755	7BD/5310-99-813-6360	WASHER, NONMETALLIC	
2383	7207756	7BD/2540-99-813-6359	JET ASSEMBLY, WINDSHIELD WASH	
2384	7207997	6MT9/2530-99-808-5357	VALVE, AIR CONTROL	

I T E M N O	Mfr Part Number	Catalogue Number	Item Name	Remarks
2385	7209152	7BD/2930-99-813-6377	SEALING STRIP, RADIATOR	
2386	7209153	7BD/5340-99-813-6378	CLIP, SPRING TENSION	
2387	7210187	7BD/2520-99-813-6240	BOOT, DUST AND MOISTURE SEAL	
2388	7210276	6MT10/2520-99-205-9470	PIVOT, ROCKER ARM	
2389	7210284	G1/5305-99-941-0687	SCREW, CAP, HEXAGON HEAD	
2390	7210285	G1/5310-99-941-6654	WASHER, LOCK	
2391	7210315	6MT12/2910-99-816-7146	SPLINED HUB	
2392	7210320	6MT12/5330-99-807-8829	GASKET	
2393	7210324	6MT12/5310-99-807-8930	WASHER, KEY	
2394	7210326	6MT12/5305-99-807-9138	SCREW, MACHINE	
2395	7210328	6MT12/5307-99-807-8832	STUD, SHOULDERED AND STEPPED	
2396	7210329	6MT12/5310-99-807-9134	NUT, SLEEVE	
2397	7210330	6MT12/5310-99-807-8827	WASHER, FLAT	
2398	7210339	6MT12/2910-99-809-8563	ARM ASSEMBLY, VALVE, METERING	
2399	7210340	X3/2910-99-203-3828	BAR, SHUT OFF	
2400	7210341	X3/2910-99-203-4098	SHAFT, SHUT OFF, FUEL PUMP	
2401	7210342	6MT1/5330-99-943-0008	RING, SEALING, TOROIDAL	
2402	7210344	6MT12/5310-99-807-9242	WASHER, RECESSED	
2403	7210350	6MT12/5340-99-807-8843	SEAT, HELICAL COMPRESSION SPRING	
2404	7210354	6MT12/2910-99-881-9530	SLEEVE, LOCKING, FUEL INJECTION PUMP	
2405	7210357	X3/5360-99-202-4001	SPRING, HELICAL, COMPRESSION	
2406	7210390	6MT9/4730-99-805-6442	CONNECTOR, MULTIPLE, FLUID PRESSURE LINE	
2407	7210393	6MT9/5330-99-800-4778	GASKET	
2408	7210407	6MT9/2530-99-800-4901	DIAPHRAGM, VALVE, FLAT	
2409	7210412	6MT9/2530-99-881-2111	SEAT, VALVE	
2410	7210413	6MT9/4730-99-822-0210	CONNECTOR, PIPE COUPLING	
2411	7210425	7BD/2590-99-978-1982	VALVE	
2412	7210517	7BD/5340-99-813-9790	MOUNT, RESILIENT	
2413	7210586	7BD/2530-99-822-0221	PIPE, STEEL	
2414	7210594	6MT9/4730-99-836-7804	PLUG, PIPE	
2415	7210672	7BD/2530-99-819-1891	WHEEL, BISECTOR ADJUSTER	
2416	7210674	7BD/5360-99-819-4023	SPRING, FLAT, PREBENT	
2417	7210675	7BD/5365-99-827-5389	SPACER, SLEEVE	
2418	7210821	7BD/5340-99-825-3411	CLIP, SPRING	
2419	7211675	7BD/7220-99-813-6287	TREAD, STAIR, RUBBER	
2420	7211814	7BD/2510-99-810-2257	HANDLE, INSPECTION COVER	
2421	7212078	7BD/2590-99-822-1371	LEAD, ELECTRICAL	
2422	7212101	7BD/3930-99-813-5248	BOOT, DUST AND MOISTURE SEAL	
2423	7212111	7BD/5340-99-824-8871	STRAP, LINE SUPPORTING	

ITEM NO	Mfr Part Number	Catalogue Number	Item Name	Remarks
2424	7212249	7BD/5930-99-809-5408	COVER, ELECTRICAL SWITCH	
2425	7212442	6MT3/2540-99-809-7004	ARM, WINDSCREEN WIPER	
2426	7212443	6MT3/2540-99-811-0957	ARM, WINDSCREEN WIPER	
2427	7213055	7BD/5365-99-818-9282	SHIM	
2428	7213056	7BD/5365-99-818-9287	SHIM	
2429	7213057	7BD/5365-99-818-9283	SHIM	
2430	7213058	7BD/5365-99-818-9288	SHIM	
2431	7213059	7BD/5365-99-818-9284	SHIM	
2432	7213060	7BD/5365-99-818-9289	SHIM	
2433	7213061	7BD/5365-99-818-9285	SHIM	
2434	7213062	7BD/5365-99-818-9290	SHIM	
2435	7213063	7BD/5365-99-818-9286	SHIM	
2436	7213064	7BD/5365-99-818-9291	SHIM	
2437	7213226	7BD/2805-99-821-8636	VALVE, INLET, ENGINE	
2438	7214041	6MT9/2530-99-820-2272	PLUG ASSEMBLY, DRAIN	
2439	7214043	6MT9/5365-99-825-6322	PLUG, MACHINE THREAD	
2440	7214044	G1/5315-99-953-1523	PIN, SPRING	
2441	7214210	G1/5305-99-941-8267	SCREW, SOCKET HEAD	
2442	7214211	7BD/5310-99-839-7005	WASHER, LOCK	
2443	7214427	6MT9/2530-99-828-3278	COVER ASSEMBLY	
2444	7214485	6MT3/5310-99-135-8175	WASHER, FLAT	
2445	7215244	6MT9/4730-99-810-1867	ADAPTOR, STRAIGHT, PIPE	
2446	7215296	7BD/3110-99-814-0079	ROLLER ASSEMBLY, JOURNAL BEARING	
2447	7215405	7BD/5340-99-815-7582	BRACKET, FUEL TANK	
2448	7215497	7BD/2990-99-813-5681	STRAP, SILENCER	
2449	7216519	6MT3/6220-99-820-2419	LENS, TAILLIGHT STOPLIGHT TURNLIGHT	
2450	7216627	G1/5305-99-120-7809	SCREW, CAP, HEXAGON HEAD	
2451	7216628	6MT12/2910-99-806-6889	PIPE, CONNECTION, ANGLE	
2452	7216655	6MT10/2520-99-827-6849	PIVOT, PLATE	
2453	7216693	X3/5305-99-204-6261	THUMBSCREW	
2454	7216694	6MT12/5365-99-810-6613	BUSHING, RUBBER	
2455	7216844	6MT9/5360-99-802-8310	SPRING, HELICAL, COMPRESSION	
2456	7216849	6MT9/2530-99-820-7647	SEAT, VALVE	
2457	7216850	6MT9/2530-99-815-5015	PARTS KIT, REGULAR VALVE	
2458	7217216	7BD/2815-99-813-5938	CONNECTING ROD, PISTON	
2459	7217223	G1/5305-99-941-9008	SCREW, MACHINE	
2460	7217238	7BD/3020-99-819-2138	PULLEY, GROOVE	
2461	7217408	7BD/5360-99-822-1030	SPRING, THROTTLE CONTROL	
2462	7217550	6MT1/2510-99-811-3676	SPRING ASSEMBLY, LEAF	
2463	7217551	7BD/2510-99-811-3669	HANGER, LEAF SPRING	
2464	7217552	7BD/2510-99-811-3670	BRACKET, LEAF SPRING SHACKLE	
2465	7217555	7BD/2510-99-778-5494	BRACKET ASSEMBLY	
2466	7217560	7BD/2510-99-811-3677	LINK, REBOUND, AXLE	

I T E M N O	Mfr Part Number	Catalogue Number	Item Name	Remarks
2467	7217623	6MT9/2530-99-802-3488	ANTIFREEZER	
2468	7217629	7BD/2530-99-780-2194	BRACKET, BODY MOUNTING	
2469	7217714	6MT9/4730-99-810-1870	ELBOW, PIPE	
2470	7217715	6MT9/4730-99-810-1857	ADAPTOR, TEE, PIPE	
2471	7217716	7BD/5340-99-814-8359	STRAP, RETAINING	
2472	7217776	7BD/4720-99-813-5676	HOSE, ASSEMBLY, NONMETALLIC	
2473	7217895	7BD/2510-99-813-6394	BRACKET, FUEL TANK	
2474	7219022	7BD/5305-99-135-6546	SCREW, SELF-LOCKING	
2475	7219186	7BD/4730-99-821-8910	ADAPTOR, STRAIGHT, PIPE	
2476	7219414	7BD/2540-99-814-7961	CROSS SHAFT ASSEMBLY	
2477	7219976	7BD/2540-99-813-6338	CUSHION, SEAT, VEHICULAR	
2478	7950958	6MT12/2910-99-813-6029	TANK ASSEMBLY, IGNITER SUPPLY	
2479	7952522	7RU/2510-99-895-9129	SLEEVE, DISTRIBUTOR, DRIVING	
2480	7953191	6MT3/6350-99-811-4749	BUZZER	
2481	7953383	6MT8/2920-99-806-6848	CONTACT SET, DISTRIBUTOR	
2482	7954390	6MT4/5930-99824-8371	SWITCH, PRESSURE	
2483	7956851	6MT3/2540-99-803-1490	DRIVER, KNURLED	
2484	7956860	7BD/2540-99-811-0954	MOTOR, WINDSCREEN WIPER, ELECTRICAL	
2485	7960020	7BD/2510-99-813-6296	ROLLER, WINDOW	
2486	7960052	7BD/2540-99-874-1019	REGULATOR, VEHICLE WINDOW, HAND OPERATED	
2487	7960053	7BD/2540-99-874-1020	REGULATOR, VEHICLE WINDOW, HAND OPERATED	
2488	7963016	7BD/2590-99-811-6278	CONNECTOR, RESISTANCE	
2489	7963337	6MT4/2920-99-825-2733	REGULATOR, VOLTAGE	
2490	7963787	X5/6240-99-995-1297	LAMP, FILAMENT	
2491	7963817	7BD/6695-99-811-4751	BEZEL, WINDOW MOUNTING	
2492	7965188	6MT1/5330-99-817-8980	GASKET, COVER	
2493	7966229	7BD/6685-99-811-6276	THERMO-GAUGE, METER UNIT AND DIAL ASSEMBLY	
2494	7966361	6MT1/6680-99-825-4260	GAUGE, TEMPERATURE	
2495	7966380	7BD/6685-99-824-0163	TRANSMITTER UNIT, TEMPERATURE	
2496	7966608	7BD/2930-99-725-7855	FILLER NECK	
2497	7966887	7BD/2815-99-819-1522	CAP, OIL FILLER	
2498	7967480	7BD/6680-99-811-6277	METER UNIT AND DIAL ASSEMBLY	
2499	7968373	6MT3/2540-99-838-0373	ARMATURE, MOTOR	
2500	7970184	6MT1/6685-99-882-0831	CABLE, SPEEDOMETER	
2501	7971693	6MT12/5330-99-825-2940	GASKET	
2502	7971912	6MT12/2815-99-819-2580	BREATHER	
2503	7972943	6MT12/2940-99-781-2426	BAIL ASSEMBLY	
2504	7972963	6MT12/2940-99-725-5101	CLAMP, COVER, AIR FILTER	

I T E M N O	Mfr Part Number	Catalogue Number	Item Name	Remarks
2505	7973025	6MT12/5330-99-819-2566	WASHER, NONMETALLIC	
2506	7973041	7BD/5306-99-136-5426	BOLT, MACHINE	
2507	7973042	7BD/5310-99-139-5544	WASHER, FLAT	
2508	7974094	6MT1/6680-99-816-7127	TANK UNIT ASSEMBLY	
2509	7974341	6MT1/6680-99-825-4259	GAUGE, FUEL	
2510	7974406	6MT1/6680-99-814-0867	TANK UNIT ASSEMBLY	
2511	7974408	6MT1/6680-99-816-7127	TANK UNIT ASSEMBLY	
2512	7974456	7BD/6680-99-825-2925	TRANSMITTER, LIQUID QUANTITY	
2513	7975145	7BD/5310-99-139-3650	WASHER	
2514	7976307	7BD/2590-99-825-2199	PANEL, INSTRUMENT, VEHICULAR	
2515	7976624	6MT1/6695-99-825-2731	BEZEL, INSTRUMENT WINDOW	
2516	7976632	7BD/5999-99-825-8587	PANEL, PRINTED CIRCUIT	
2517	7976636	7BD/6250-99-827-9821	LAMPHOLDER	
2518	7978459	6MT13/2540-99-835-0643	STRIKER ASSEMBLY, DOOR LOCK.	
2519	7979315	6MT1/6680-99-825-3779	SPEEDOMETER	
2520	7979316	7BD/6680-99-825-4105	SPEEDOMETER	
2521	7979580	7BD/6680-99-813-9753	CORE, FLEXIBLE SHAFT ASSEMBLY	
2522	7979812	7BD/6680-99-827-9140	GLASS, SPEEDOMETER	
2523	7979838	7BD/3040-99-736-3165	CORE, FLEXIBLE SHAFT ASSEMBLY	
2524	7982866	6MT4/2920-99-756-5997	REGULATOR, ENGINE GENERATOR	
2525	7984725	6MT12/2910-99-734-6422	HEAD, FLUID FILTER	
2526	7984779	6MT1/2940-99-882-0531	FILTER ELEMENT, FLUID, PRESSURE	
2527	7987547	7BD/2940-99-825-2188	FILTER, AIR, INTAKE	
2528	7988078	7BD/2940-99-832-9477	FILTER, AIR, INTAKE	
2529	7988239	6MT12/2940-99-825-2941	FILTER ELEMENT, AIR, INTAKE	
2530	7989326	6MT1/2910-99-827-1282	CAP, FUEL TANK	
2531	7989346	7BD/2910-99-828-5502	CAP, FUEL FILLER	
2532	7989405	7BD/2930-99-829-8729	CAP, FUEL FILLER	
2533	7989406	6MT1/2910-99-827-1282	CAP, FUEL FILLER	
2534	7989413	7BD/2910-99-833-3454	CAP, FILTER OPENING	
2535	7989414	7BD/2540-99-833-4677	CAP, FILTER OPENING	
2536	7990027	6MT12/2910-99-825-6289	KIT, CONVERSION, SEDIMENT BOWL	
2537	7990438	7BD/2910-99-763-6019	PUMP, FUEL, CAM ACTUATED	
2538	7990623	6MT1/2910-99-825-2730	FLOAT-ARM ASSEMBLY	
2539	7990898	7BD/2910-99-756-3318	FLOAT, TANK UNIT	
2540	7991163	6MT1/5330-99-825-2732	GASKET	
2541	7991184	7BD/6680-99-828-0181	CORE, FLEXIBLE SHAFT ASSEMBLY	
2542	7991291	7BD/6680-99-978-0445	TACHOMETER	

I T E M N O	Mfr Part Number	Catalogue Number	Item Name	Remarks
2543	7991334	7BD/6680-99-978-0663	REVOLUTION COUNTER CABLE	
2544	7991519	7BD/6680-99-733-7355	CABLE ASSEMBLY, TACHOMETER	
2545	7991538	7BD/6680-99-830-8876	SPEEDOMETER	
2546	7991539	7BD/6680-99-830-9338	SPEEDOMETER	
2547	7991551	6MT1/6680-99-761-2088	DIAL, SPEEDOMETER	
2548	7991599	6MT1/6680-99-832-2396	RETAINER, SPEEDOMETER GLASS	
2549	7994016	6MT4/5930-99-832-2397	SWITCH, AIR PRESSURE	
2550	7994133	7BD/5930-99-978-2429	SWITCH, OIL PRESSURE	
2551	7995257	7BD/2590-99-828-0490	PANEL, INSTRUMENT, VEHICULAR	
2552	7995561	7BD/5999-99-827-9173	PANEL, PRINTED CIRCUIT	
2553	7996045	6MT3/2540-99-825-6899	MOTOR, WINDSCREEN WIPER, ELECTRICAL	
2554	7996101	6MT3/2540-99-825-3777	MOTOR, WINDSCREEN WIPER, ELECTRICAL	
2555	7997658	7BD/2540-99-990-8730	REGULATOR, VEHICLE WINDOW	
2556	7997659	7BD/2540-99-020-7650	REGULATOR, VEHICLE WINDOW	
2557	7998391	7BD/2940-99-828-9016	FILTER, AIR, INTAKE	
2558	8811051	7BD/2990-99-813-9732	STRAP, SILENCER SUPPORT	
2559	8811107	6MT1/2510-99-811-3683	SPRING ASSEMBLY, LEAF	
2560	8811153	7BD/5306-99-814-0011	BOLT, MACHINE	
2561	8811169	7BD/5306-99-814-0012	BOLT, MACHINE	
2562	8811177	6MT1/5330-99-943-6628	GASKET	
2563	8811186	6MT9/4730-99-882-0311	ADAPTOR, ELBOW, PIPE	
2564	8811271	7BD/2510-99-811-3671	HANGER, LEAF SPRING	
2565	8811272	7BD/2510-99-811-3672	BRACKET, LEAF SPRING SHACKLE	
2566	8811281	7BD/2510-99-811-3689	LINK, REBOUND, AXLE	
2567	8813135	7BD/5306-99-812-5471	BOLT, MACHINE	
2568	8814772	7BD/2540-99-811-0748	SHOCK ABSORBER, DIRECT ACTION	
2569	8815041	EQPT/4730-99-811-0747	ADAPTOR, ELBOW, PIPE	
2570	8815044	6MT9/2530-99-818-8378	CRANKSHAFT, COMPRESSOR	
2571	8815047	G1/5310-99-941-3188	NUT, PLAIN, HEXAGON	
2572	8815050	6MT4/5310-99-136-4735	WASHER, FLAT	
2573	8815053	6MT4/5310-99-202-8413	WASHER, LOCK	
2574	8815054	6MT4/5940-99-808-1636	CONTACT BLADE	
2575	8815055	G1/5305-99-941-8908	SCREW, MACHINE	
2576	8815057	6MT4/5977-99-809-1434	BRUSH SET, ELECTRICAL CONTACT	
2577	8815058	6MT4/5940-99-808-1649	TERMINAL ASSEMBLY	
2578	8815059	6MT4/2920-99-808-1755	PARTS KIT, ENGINE GENERATOR	

ITEM NO	Mfr Part Number	Catalogue Number	Item Name	Remarks
2579	8815060	6MT4/5365-99-808-1759	SPACER, SLEEVE	
2580	8815290	6MT3/2540-99-828-9202	GLASS, REARVIEW MIRROR	
2581	8815291	6MT3/2540-99-828-9201	MIRROR ASSEMBLY, REARVIEW	
2582	8815425	6MT9/5365-99-813-9756	SHIM	
2583	8815426	6MT9/2530-99-813-9578	STRAP, LOCKING	
2584	8815427	6MT9/2530-99-813-9576	BOLT, CONNECTING ROD	
2585	8815439	6MT12/5360-99-819-2553	SPRING, HELICAL, COMPRESSION	
2586	8815814	6MT12/2910-99-815-5812	CARBURETOR, FLOAT TYPE	
2587	8817681	7BD/5365-99-811-4028	SPACER, PLATE	
2588	8819155	6MT9/5360-99-825-1090	SPRING, HELICAL, COMPRESSION	
2589	8819188	6MT9/5360-99-802-9492	SPRING, HELICAL, COMPRESSION	
2590	8819194	6MT9/2530-99-813-6443	GUIDE	
2591	8819223	7BD/4730-99-810-1875	SLEEVE, COMPRESSION, PIPE- HOSE FITTING	
2592	8819336	X3/5365-99-204-5839	SPACER, RING	
2593	8819368	6MT9/2530-99-810-1926	PARTS KIT, HYDRAULIC BRAKE, MASTER CYLINDER ASSEMBLY	
2594	8819369	6MT9/5330-99-809-8337	PACKING, PREFORMED	
2595	8819370	6MT9/5360-99-811-7211	SPRING, HELICAL, COMPRESSION	
2596	8819371	6MT9/5310-99-136-6828	WASHER, FLAT	
2597	8819373	6MT9/2530-99-814-8384	CONNECTOR, OUTLET	
2598	8819377	6MT9/5330-99-813-0162	GASKET	
2599	8819378	6MT9/5310-99-813-0163	NUT, SLEEVE	
2600	8819379	6MT9/2530-99-813-0164	FILTER, MASTER CYLINDER	
2601	8819380	6MT9/2530-99-813-0165	VALVE ASSEMBLY, CHECK	
2602	8819405	7BD/6220-99-814-9211	LENS, DOME LIGHT	
2603	8819453	6MT1/5365-99-970-3332	RING, RETAINING	
2604	8819497	6MT9/5330-99-813-0169	RING, SEALING, TOROIDAL	
2605	8819682	7BD/2815-99-809-9770	GEAR, HELICAL	
2606	8819800	7BD/2815-99-811-0977	VALVE, POPPET, ENGINE	
2607	8819817	7BD/2910-99-815-6026	VALVE, NON-RETURN, FUEL PUMP	
2608	8819820	7BD/4710-99-815-6025	PIPE, STEEL	
2609	8819847	7BD/2805-99-811-7236	PULLEY, GROOVE	
2610	8819890	7BD/2805-99-812-4412	PUMP, ROTARY, POWER DRIVEN	
2611	8819922	7BD/4730-99-821-8833	BOLT, FLUID PASSAGE	
2612	8820241	7BD/2510-99-808-4491	GLASS, VEHICULAR WINDSCREEN	
2613	8820290	7BD/2510-99-828-0216	INSULATOR, FLOOR CENTRE PANEL	

I T E M N O	Mfr Part Number	Catalogue Number	Item Name	Remarks
2614	8820410	7BD/2540-99-813-6345	EXTENSION, FRONT MUDGUARD	
2615	8820411	7BD/2540-99-813-6346	EXTENSION, FRONT MUDGUARD	
2616	8820460	7BD/2540-99-749-1053	CLIP ASSEMBLY	
2617	8820551	7BD/2540-99-833-4275	DISC, WEARING	
2618	8821045	7BD/5315-99-813-6395	PIN, STRAIGHT, HEADLESS	
2619	8821046	7BD/2520-99-811-3108	COVER, PINION HOUSING	
2620	8821058	7BD/5340-99-811-3113	STRAP, RETAINING	
2621	8821146	6MT9/2530-99-811-3662	DRAGLINK, STEERING	
2622	8821147	6MT9/2530-99-811-3663	DRAGLINK, STEERING	
2623	8821149	7BD/2520-99-820-4628	HOUSING, MECHANICAL DRIVE	
2624	8821151	7BD/2520-99-811-7528	AXLE ASSEMBLY, AUTOMOTIVE, DRIVING	
2625	8821237	7BD/4730-99-813-9793	ADAPTOR, TEE, PIPE TO HOSE	
2626	8821336	6MT7/3110-99-809-5014	BEARING, BALL, ANGULAR CONTACT	
2627	8821386	7BD/2520-99-811-7525	TRANSFER GEARBOX	
2628	8821388	7BD/2520-99-814-0074	TRANSFER GEARBOX	
2629	8821419	7BD/2520-99-814-0076	GEARSHAFT, SPUR	
2630	8821420	7BD/2520-99-814-0078	GEARSHAFT, SPUR	
2631	8821421	7BD/5310-99-135-1477	WASHER, FLAT	
2632	8821426	7BD/2510-99-815-9012	PLATE, U BOLT RETAINER	
2633	8821427	7BD/2510-99-815-9011	RETAINER, U BOLT	
2634	8821429	6MT10/2520-99-814-0866	SHAFT, PROPELLER	
2635	8822600	7BD/2815-99-813-5948	COVER, PUSH ROD	
2636	8822715	7BD/3020-99-812-5483	GEAR, HELICAL	
2637	8822769	7BD/2940-99-820-2287	CONNECTOR, OIL FILTER	
2638	8822813	6MT1/6620-99-810-9397	THERMOSTAT, FLOW CONTROL	
2639	8822826	7BD/2910-99-817-8986	COUPLING ASSEMBLY, FUEL PUMP	
2640	8822827	7BD/2940-99-814-6382	AIR CLEANER, CENTRIFUGAL	
2641	8822847	7BD/5307-99-812-5494	STUD, PLAIN	
2642	8824061	7BD/5307-99-135-4830	STUD, PLAIN	
2643	8824062	7BD/2530-99-135-1223	BOLT, BRAKE SHOE SPRING ANCHOR	
2644	8824070	7BD/5306-99-811-3660	STUD, WHEEL	
2645	8824071	7BD/5306-99-811-3661	STUD, WHEEL	
2646	8824080	6MT2/5120-99-942-6901	WRENCH, SOCKET	
2647	8824215	7BD/2510-99-762-0126	CROSSMEMBER, FRONT TOWING HOOK	
2648	8824217	7BD/2590-99-978-1720	CROSSMEMBER, FRONT	
2649	8824221	7BD/2590-99-838-0371	RETAINER, SPARE TYRE	
2650	8824267	7BD/2530-99-811-3102	SUPPORT, SHOE TYPE BRAKE	
2651	8824295	7BD/3120-99-813-9887	BEARING, SLEEVE	
2652	8824303	6MT14/2530-99-881-8312	WHEEL, PNEUMATIC TYPE	
2653	8824307	6MT4/6140-99-881-3688	BLOCK, LOCATING	

I T E M N O	Mfr Part Number	Catalogue Number	Item Name	Remarks
2654	8824322	7BD/2590-99-978-2553	CROSSMEMBER	
2655	8824329	7BD/2590-99-978-0462	BRACKET, BRACE, TOWING HOOK, LEFT HAND	
2656	8824330	7BD/2590-99-978-0463	BRACKET, BRACE, TOWING HOOK, RIGHT HAND	
2657	8824360	7BD/5330-99-814-7772	RETAINER, PACKING	
2658	8824402	7BD/2540-99-837-8522	PEDAL-LEVER, CONTROL	
2659	8824462	7BD/2540-99-811-3674	GUARD ASSEMBLY, HEADLIGHT	
2660	8824493	7BD/5360-99-813-5683	SPRING, FLAT, PREBENT	
2661	8824494	7BD/5360-99-813-5684	SPRING, FLAT, PREBENT	
2662	8824563	6MT3/5945-99-809-7559	FLASHER, THERMAL	
2663	8824564	7BD/5340-99-820-6923	CLIP, SPRING	
2664	8824608	6MT3/5945-99-822-7110	FLASHER, THERMAL	
2665	8824683	7BD/-210-99-811-4007	LIGHT, INDICATOR	
2666	8824684	6MT4/2920-99-811-0988	GENERATOR, ENGINE ACCESSORY	
2667	8824686	7BD/5340-99-824-8867	CLAMP, LOOP	
2668	8824705	7BD/2590-99-811-0995	LEAD, ELECTRICAL	
2669	8824706	7BD/2590-99-811-4003	WIRING HARNESS	
2670	8824718	7BD/2590-99-811-0982	LEAD, ELECTRICAL	
2672	8824819	7BD/2590-99-813-9229	WIRING HARNESS	
2673	8824849	6MT4/5930-99-817-3669	SWITCH, PUSH	
2674	8824854	6MT3/2540-99-824-7881	MOTOR-PUMP, WINDSCREEN WASHER	
2675	8824855	6MT3/2540-99-825-6896	PUMP ASSEMBLY, WINDSCREEN WASHER	
2676	8824904	6MT4/5930-99-811-0984	SWITCH, LIGHTING VEHICULAR	
2677	8824916	7BD/5325-99-811-0983	GROMMET, RUBBER	
2678	8824942	6MT4/2590-99-811-0985	SWITCH ASSEMBLY	
2679	8824950	7BD/2590-99-811-0976	SEAL, BATTERY COVER	
2680	8824959	6MT1/5340-99-831-4987	CLIP, SPRING TENSION	
2681	8824995	6MT4/5930-99-825-1092	SWITCH, TOGGLE	
2682	8825524	7BD/2815-99-817-8988	GASKET, MANIFOLD	
2683	8825548	7BD/2930-99-811-0974	PUMP, CENTRIFUGAL	
2684	8825770	7BD/3020-99-829-5001	GEAR, HELICAL	
2685	8825912	7BD/5330-99-819-2149	GASKET	
2686	8825951	7BD/2805-99-811-3749	DAMPER ASSEMBLY, ENGINE	
2687	8826691	7BD/2540-99-811-3696	MUDFLAP	
2688	8826813	7BD/2540-99-819-8119	VISOR, SUN, VEHICLE	
2689	8826932	7BD/2510-99-811-3697	STEP, VEHICULAR	
2690	8826933	7BD/2510-99-811-3698	STEP, VEHICULAR	
2691	8827127	G1/5310-99-136-3030	NUT, PLAIN, BLIND RIVET	
2692	8828103	7BD/5305-99-138-2903	SCREW, MACHINE	
2693	8828744	7BD/5310-99-136-7301	WASHER, FLAT	

I T E M N O	Mfr Part Number	Catalogue Number	Item Name	Remarks
2694	8828756	7BD/2530-99-815-3285	SPRING, BRAKE SHOE, TRAILING	
2695	8828757	7BD/2530-99-815-4672	SPRING, BRAKE SHOE, LEADING	
2696	8828758	7BD/2530-99-814-7942	BACKPLATE, SHOE TYPE BRAKE	
2697	8828759	7BD/2530-99-814-7943	BACKPLATE, SHOE TYPE BRAKE	
2698	8828775	7BD/2530-99-828-5328	COLUMN, STEERING GEAR	
2699	8828778	7BD/2510-99-813-9788	BRACKET, ENGINE MOUNTING	
2700	8828779	7BD/2510-99-813-9787	BRACKET, ENGINE MOUNTING	
2701	8828838	7BD/2910-99-811-4011	PIPE, FUEL RISER UNIT	
2702	8828841	7BD/2910-99-811-4013	PIPE, STEEL	
2703	8828842	7BD/2910-99-811-4015	PIPE, STEEL	
2704	8828890	7BD/2590-99-811-4023	LEVER, REMOTE CONTROL	
2705	8828932	7BD/2590-99-978-0449	BRACKET-ASSEMBLY FRONT CAB SUPPORT	
2706	8828933	7BD/2590-99-978-0447	BRACKET ASSEMBLY, FRONT CAB SUPPORT	
2707	8828936	7BD/2590-99-978-1125	BRACKET ASSEMBLY, CAB MOUNTING	
2708	8829289	7BD/4320-99-838-4577	PUMP, ROTARY, POWER DRIVEN	
2709	8829304	7BD/2815-99-829-5011	VALVE, POPPET, ENGINE	
2710	8829378	7BD/2815-99-817-8983	GASKET, FLANGE	
2711	8829424	7BD/2995-99-762-0123	TUBE ASSEMBLY-OIL DIPSTICK	
2712	8829716	7BD/5306-99-811-3111	BOLT, WHEEL HUB	
2713	8829717	7BD/5306-99-811-3112	BOLT, WHEEL HUB	
2714	8829729	7BD/2530-99-819-4338	TAPPET, BRAKE SHOE	
2715	8829736	7BD/2530-99-819-4339	TAPPET, BRAKE SHOE	
2716	8829737	7BD/2530-99-819-4340	TAPPET, BRAKE SHOE	
2717	8830578	7BD/2530-99-822-6559	BRAKE LINING KIT	
2718	8830587	7BD/2530-99-813-9910	BRAKE LINING KIT	
2719	8830593	7BD/2530-99814-0013	BRAKE LINING KIT	
2720	8830873	6MT9/2530-99-806-7716	VALVE, NON-RETURN	
2721	8830874	6MT9/5330-99-806-7840	GASKET	
2722	8830875	6MT9/2530-99-815-3682	CAP, VALVE	
2723	8830880	6MT9/2530-99-823-2583	COUPLING HALF, QUICK DISCONNECT	
2724	8830904	6MT9/2530-99-810-1837	VALVE ASSEMBLY, AIR RESERVOIR	
2725	8831686	7BD/5306-99-139-5243	BOLT, U	
2726	8831771	7BD/2930-99-813-9770	PACKING PIECE	
2727	8831806	7BD/2930-99-818-7281	TANK, COOLANT, VEHICULAR	
2728	8831807	7BD/5340-99-818-7282	BRACKET, ANGLE	
2729	8831853	7BD/5310-99-811-0992	WASHER, FLAT	

I T E M N O	Mfr Part Number	Catalogue Number	Item Name	Remarks
2730	8831928	7BD/2940-99-818-3188	PIPE ASSEMBLY, FILTER TO INJECTION PUMP	
2731	8832006	7BD/2510-99-830-4254	INSULATOR, ENGINE COVER	
2732	8832007	7BD/2510-99-830-4255	INSULATOR, ENGINE COVER	
2733	8832014	7BD/2540-99-811-3690	PANEL, FRONT MUDGUARD	
2734	8832015	7BD/2540-99-811-3691	PANEL, FRONT MUDGUARD	
2735	8832044	7BD/2510-99-813-6281	PANEL ASSEMBLY, FRONT LOWER	
2736	8833081	7BD/2510-99-813-6382	SUPPORT ASSEMBLY, RADIATOR CARRIER TUBE	
2737	8833092	6MT9/4730-99-810-1839	ADAPTOR, TEE, PIPE	
2738	8833105	7BD/5340-99-815-9719	SPACER, REAR SPRING U-BOLT	
2739	8833138	7BD/4730-99-811-0744	TEE, PIPE	
2740	8833139	6MT9/2530-99-882-0270	TEE PIECE	
2741	8833140	6MT9/4730-99-810-1840	ADAPTOR, ELBOW, PIPE	
2742	8833141	6MT9/4730-99-810-1869	ADAPTOR, ELBOW, PIPE	
2743	8833142	6MT9/4730-99-882-0266	ADAPTOR, STRAIGHT, PIPE	
2744	8833143	6MT9/4730-99-810-1845	DOUBLE-ENDED UNION, PIPE, MALE	
2745	8833147	6MT9/4730-99-810-1844	ADAPTOR, TEE, PIPE	
2746	8833148	6MT9/2530-99-819-1564	CYLINDER ASSEMBLY, HYDRAULIC BRAKE, WHEEL	
2747	8833149	6MT9/2530-99-819-1565	CYLINDER ASSEMBLY, HYDRAULIC BRAKE, WHEEL	
2748	8833152	6MT9/4730-99-810-1871	ADAPTOR, ELBOW, PIPE	
2749	8833178	6MT9/2530-99-806-7882	COUPLING, AUTOMOTIVE AIR BRAKE HOSE	
2750	8833211	6MT9/2530-99-810-1865	DUMMY COUPLING, AUTOMOTIVE AIR BRAKE HOSE	
2751	8833216	7BD/2540-99-814-7773	LEVER, CONTROL, HAND	
2752	8833245	7BD/2540-99-814-8193	PEDAL, CONTROL	
2753	8833246	7BD/2540-99-814-8192	PEDAL, CONTROL	
2754	8833247	7BD/2540-99-746-4557	PEDAL, CONTROL	
2755	8833286	7BD/2530-99-819-4345	COVER, HANDBRAKE LEVER	
2756	8833287	7BD/2530-99-819-3946	PIN, HANDBRAKE LEVER	
2757	8833288	7BD/2530-99-819-3949	BEARING, FULCRUM PIN	
2758	8833310	7BD/2540-99-811-3675	RATCHET, SPARE WHEEL CARRIER	
2759	8833334	7BD/2540-99-814-8197	STEM ASSEMBLY	
2760	8833336	7BD/2530-99-811-5684	PUSH ROD, BRAKE ACTUATING	
2761	8833337	7BD/2530-99-811-5959	PUSH ROD, HYDRAULIC BRAKE MASTER CYLINDER	
2762	8833341	7BD/2530-99-811-5963	SPINDLE ASSEMBLY, BRAKE RELEASE	
2763	8833368	7BD/5330-99-825-3407	RUBBER STRIP	
2764	8833396	7BD/5360-99-817-6387	SPRING, BRAKE SHOE	

I T E M N O	Mfr Part Number	Catalogue Number	Item Name	Remarks
2765	8833478	6MT9/2530-99-811-6274	VALVE ASSEMBLY, BRAKE REACTION	
2766	8833489	7BD/5365-99-811-4041	BUSHING, MACHINE THREAD	
2767	8833502	7BD/3120-99-811-5962	BEARING, SLEEVE	
2768	8835248	7BD/5340-99-824-9699	BRACKET, PIPE	
2769	8835448	7BD/2530-99-811-3747	HOSE, PREFORMED	
2770	8836032	7BD/5330-99-821-7538	RING, SEALING, TOROIDAL	
2771	8836186	7BD/2510-99-827-8766	SEGMENT, HIP RING	
2772	8836502	7BD/5340-99-819-2885	HANDLE, BOW	
2773	8836503	7BD/5340-99-819-2886	HANDLE, BOW	
2774	8837052	7BD/2520-99-811-4040	LEVER, REMOTE CONTROL	
2775	8837053	7BD/2520-99-811-4039	LEVER, REMOTE CONTROL	
2776	8837056	7BD/2520-99-829-5019	BALL, CLUTCH FORK	
2777	8837062	7BD/2520-99-811-4038	KNOB, GEARSHIFT LEVER	
2778	8837063	7BD/2520-99-811-4036	KNOB, GEARSHIFT LEVER	
2779	8837064	7BD/2540-99-814-7769	KNOB, GEARSHIFT LEVER	
2780	8837072	7BD/2520-99-811-4047	CROSS SHAFT, ASSEMBLY	
2781	8837079	7BD/2520-99-811-4048	CROSS SHAFT, GEARSHIFT	
2782	8837083	7BD/2520-99-811-5676	LEVER, REMOTE CONTROL	
2783	8837087	7BD/2520-99-811-5679	CONNECTING LINK, RIGID	
2784	8837091	7BD/2510-99-764-5145	BRACKET ASSEMBLY	
2785	8837099	7BD/2530-99-814-7941	DEFLECTOR, DIRT AND LIQUID	
2786	8837120	6MT14/5310-99-815-3290	NUT, CONE SEAT, HEXAGON	
2787	8837121	6MT14/5310-99-801-7641	NUT, CONE SEAT, HEXAGON	
2788	8837159	7BD/5340-99-811-4037	CONTROL ROD	
2789	8837163	7BD/5340-99-811-4035	CONTROL ROD	
2790	8837165	7BD/2520-99-830-6583	CABLE ASSEMBLY	
2791	8837171	7BD/2530-99-811-5961	LEVER ASSEMBLY, BRAKE RELEASE	
2792	8837204	7BD/2520-99-811-5677	CONNECTING LINK, RIGID	
2793	8837207	6MT1/5330-99-811-4049	RING, SEALING TOROIDAL	
2794	8837218	7BD/2520-99-811-5678	CONNECTING LINK, RIGID	
2795	8837257	7BD/5365-99-811-4045	SPACER, SLEEVE	
2796	8837259	7BD/2520-99-811-4043	LEVER RELAY	
2797	8837261	7BD/2540-99-814-8508	LEVER CONTROL, HAND	
2798	8837263	7BD/2540-99-811-4044	LEVER, RELAY	
2799	8837271	7BD/3040-99-814-8509	CONNECTING LINK, RIGID	
2800	8837279	6MT9/4730-99-882-0310	ADAPTOR, STRAIGHT, PIPE	
2801	8837282	6MT9/4730-99-811-6270	TEE, PIPE	
2802	8837305	7BD/2520-99-813-6030	SPRING, TOGGLE, CLUTCH	
2803	8837378	7BD/2520-99-811-7526	AXLE ASSEMBLY, AUTOMOTIVE, DRIVING	
2804	8837447	7BD/2530-99-811-5965	PIPE, STEEL	
2805	8837524	7BD/5325-99-811-5954	GROMMET, RUBBER	
2806	8838551	6MT3/2540-99-820-2673	JET ASSEMBLY, WINDSHIELD WASH	
2807	8838578	7BD/2920-99-815-8414	WIRING HARNESS, BRANCHED	

I T E M N O	Mfr Part Number	Catalogue Number	Item Name	Remarks
2808	8838580	7BD/2920-99-815-8413	WIRING HARNESS, BRANCHED	
2809	8838596	7BD/2590-99-811-4001	WIRING HARNESS, BRANCHED	
2810	8838597	7BD/2590-99-811-4002	WIRING HARNESS, BRANCHED	
2811	8838598	7BD/2590-99-811-0998	WIRING HARNESS, BRANCHED	
2812	8838599	7BD/2590-99-811-0999	WIRING HARNESS, BRANCHED	
2813	8838600	7BD/2590-99-811-4004	WIRING HARNESS, BRANCHED	
2814	8838720	6MT4/5930-99-817-0563	SWITCH, ON-OFF	
2815	8838770	7BD/2590-99-811-4000	WIRING HARNESS, BRANCHED	
2816	8838828	6MT3/2540-99-817-9254	BLADE, WINDSCREEN WIPER	
2817	8838877	6MT4/2920-99-815-4591	SWITCH, SOLENOID	
2818	8838886	7BD/2920-99-816-6241	PLUG, HEATER	
2819	8838910	6MT4/2920-99-817-6601	STARTER, ENGINE, ELECTRICAL	
2820	8838930	6MT9/5930-99-809-7409	SWITCH, PRESSURE	
2821	8838943	7BD/5930-99-811-0825	SWITCH, PRESSURE	
2822	8839037	7BD/2590-99-837-6852	COVER BATTERY, RETAINER	
2823	8839039	6MT4/5999-99-813-5246	LIGHT-SWITCH ASSEMBLY	
2824	8839040	6MT4/5935-99-811-8728	ADAPTOR, ELECTRICAL PLUG	
2825	8839041	6MT3/5945-99-812-4405	FLASHER UNIT, TURN AND HAZARD	
2826	8839073	7BD/2920-99-813-1261	BRACE, GENERATOR	
2827	8839210	7BD/4730-99-830-9040	INVERTED NUT, UNION, PIPE	
2828	8839218	7BD/2920-99-811-0989	LINK, ENGINE GENERATOR MOUNTING	
2829	8839219	7BD/2920-99-811-0990	ARM, ENGINE GENERATOR ADJUSTMENT	
2830	8839220	7BD/5365-99-811-0991	SPACER, SLEEVE	
2831	8839241	7BD/5330-99-829-5008	PACKING, PREFORMED	
2832	8839380	7BD/5310-99-815-0745	NUT, PLAIN, HEXAGON	
2833	8839601	7BD/5340-99-829-7378	MOUNT, RESILIENT	
2834	8839680	6MT9/2590-99-814-8360	VALVE ASSEMBLY	
2835	8839695	6MT9/4730-99-882-0269	ADAPTOR, ELBOW, PIPE	
2836	8839852	7BD/2520-99-820-4628	HOUSING, MECHANICAL DRIVE	
2837	8839908	7BD/2815-99-759-1123	BRACKET, FRONT MOUNTING	
2838	8839909	7BD/2815-99-759-1124	BRACKET, FRONT MOUNTING	
2839	8840216	7BD/2540-99-811-3735	HANDLE, WINDOW REGULATOR	
2840	8840228	7BD/2540-99-811-3736	HANDLE, DOOR LOCK	
2841	8840229	7BD/5340-99-811-3737	HANDLE, BOW	
2842	8840415	7BD/5360-99-811-3743	SPRING, HELICAL, EXTENSION	
2843	8840416	7BD/5360-99-811-3744	SPRING, HELICAL, EXTENSION	
2844	8840417	7BD/5360-99-811-3745	SPRING, HELICAL, EXTENSION	
2845	8840419	7BD/5325-99-814-7771	GROMMET, POWER TAKE-OFF LEVER	
2846	8841783	7BD/2930-99-815-7585	PIPE, RADIATOR INLET	
2847	8844775	7BD/2540-99-811-3741	FRAME, INDIVIDUAL SEAT	
2848	8844815	G1/5315-99-127-9740	PIN, SPRING	
2849	8844826	7BD/2540-99-813-6348	STAY	

I T E M N O	Mfr Part Number	Catalogue Number	Item Name	Remarks
2850	8844827	7BD/2540-99-813-6349	STAY	
2851	8844836	7BD/2510-99-813-6297	LINING, DOOR, VEHICULAR	
2852	8844837	7BD/2510-99-813-6298	LINING, DOOR, VEHICULAR	
2853	8844838	7BD/5325-99-813-6299	FASTENER, SPRING TENSION, TRIM	
2854	8845339	6MT4/6150-99-813-5093	FAN, ELECTRICAL ROTATING EQUIPMENT	
2855	8845345	6MT4/5977-99-830-0583	BRUSH SET, ELECTRICAL CONTACT	
2856	8845349	6MT4/2920-99-821-5601	END SHIELD, ELECTRICAL ROTATING EQUIPMENT	
2857	8845352	6MT4/2920-99-821-5602	END SHIELD, ELECTRICAL ROTATING EQUIPMENT	
2858	8845493	6MT4/6105-99-813-6367	MOTOR, DIRECT CURRENT	
2859	8845494	6MT4/5905-99-881-9901	RESISTOR, FIXED, WIREWOUND	
2860	8845497	6MT4/2540-99-813-6368	IMPELLER, FAN, AXIAL	
2861	8845499	6MT4/2540-99-813-6369	RADIATOR, HEATER, VEHICULAR	
2862	8845500	7RU/5310-99-137-6359	TRUNNION	
2863	8845502	6MT1/3040-99-825-4463	CONNECTING LINK, RIGID	
2864	8845508	6MT1/2540-99-805-8285	WASHER, WATER PIPE	
2865	8845510	6MT6/9320-99-805-8378	RUBBER STRIP	
2866	8845523	X3/2910-99-204-5355	PISTON, REGULATING, FUEL PUMP	
2867	8845525	6MT4/5365-99-805-4772	RING, RETAINING	
2868	8845536	6MT12/2910-99-802-1707	SPRING, HELICAL, EXTENSION	
2869	8845537	6MT12/5360-99-807-9245	SPRING, HELICAL, COMPRESSION	
2870	8845543	6MT1/5330-99-812-3492	RING, SEALING, TOROIDAL	
2871	8845548	6MT1/5365-99-910-8196	RING, RETAINING	
2872	8845551	X3/5330-99-205-2245	GASKET	
2873	8845554	X3/2910-99-204-5831	CONTROL COVER ASSEMBLY AND SLEEVE	
2874	8845558	6MT1/5330-99-813-4140	RING, SEALING, TOROIDAL	
2875	8845559	6MT12/5330-99-814-8065	RING, SEALING, TOROIDAL	
2876	8845561	6MT12/5365-99-807-7392	SHIM	
2877	8845672	6MT9/2530-99-811-6666	SERVO ASSEMBLY, TANDEM	
2878	8845673	6MT9/2530-99-811-6664	CYLINDER ASSEMBLY, HYDRAULIC BRAKE MASTER	
2879	8845674	6MT9/2530-99-820-2412	SERVO ASSEMBLY	
2880	8845712	6MT1/4320-99-819-1692	PLUNGER, PRESSURE RELEASE VALVE	
2881	8846990	G1/5310-99-120-7492	WASHER, FLAT	
2882	8847128	7BD/2520-99-814-0081	GEARSHAFT, SPUR	
2883	8847132	7BD/2520-99-811-4034	FORK, AND ROD ASSEMBLY	
2884	8847134	7BD/2520-99-814-0082	CLUTCH, SLIDING SLEEVE	

I T E M N O	Mfr Part Number	Catalogue Number	Item Name	Remarks
2885	8847135	6MT1/5330-99-101-6612	RING, SEALING, TOROIDAL	
2886	8847865	7BD/5306-99-818-5358	BOLT, MACHINE	
2887	8847948	7BD/5305-99-821-8835	SCREW, CAP, HEXAGON HEAD	
2888	8848270	6MT9/2530-99-815-0551	SOCKET ASSEMBLY, TIE ROD	
2889	8848271	6MT9/2530-99-815-8318	ROD END, STEERING	
2890	8848362	6MT9/2530-99-812-4407	ROD END, STEERING	
2891	8848371	7BD/5340-99-813-6399	CLAMP, LOOP	
2892	8848424	7BD/2510-99-822-1222	BRACKET, SHOCK ABSORBER	
2893	8848466	G2/4710-99-801-0702	PIPING, STEEL	
2894	8848469	7BD/4710-99-813-6397	PIPE, PLASTICS, SEMIRIGID	
2895	8848471	7BD/4730-99-811-4016	ADAPTOR, STRAIGHT, PIPE	
2896	8848749	6MT4/2920-99-881-8659	TERMINAL ASSEMBLY	
2897	8849572	6MT9/2530-99-812-4407	ROD END, STEERING	
2898	8849573	6MT9/2530-99-812-4408	ROD END, STEERING	
2899	8849720	6MT12/2910-99-813-6246	JET, METERING, CARBURETOR	
2900	8849737	6MT4/5977-99-881-8256	BRUSH, ELECTRICAL CONTACT	
2901	8849739	6MT4/2920-99-881-8583	WINDING, MOTOR FIELD	
2902	8849741	6MT4/5905-99-881-8622	RESISTOR SUB-ASSEMBLY	
2903	8849742	6MT4/2920-99-881-8621	RELAY-SOLENOID, ENGINE STARTER, ELECTRICAL	
2904	8849746	6MT1/5330-99-204-1599	SEAL, PLAIN	
2905	8849747	6MT4/5305-99-815-4680	SCREW, MACHINE	
2906	8849753	6MT4/5940-99-815-3779	TERMINAL BOX	
2907	8849756	6MT4/2920-99-881-8584	ARMATURE, MOTOR	
2908	8849759	6MT4/2920-99-811-5690	COVER, PINION, STARTER MOTOR	
2909	8849760	X3/5360-99-204-1538	SPRING, HELICAL, COMPRESSION	
2910	8849762	6MT4/2920-99-811-5687	NUT, PINION, STARTER MOTOR	
2911	8849798	6MT9/2530-99-818-5272	STRAINER ELEMENT, SEDIMENT	
2912	8849799	6MT9/5365-99-881-9825	RING, RETAINING	
2913	8849800	6MT9/3120-99-836-5905	BEARING, SLEEVE	
2914	8849819	X3/2910-99-204-5833	BOLT, VENT, FUEL PUMP	
2915	8849826	6MT12/2910-99-813-4141	LEVER, REMOTE CONTROL	
2916	8849843	6MT1/5330-99-802-8021	RING, SEALING, TOROIDAL	
2917	8849845	7BD/5330-99-829-8413	RING, SEALING, TOROIDAL	
2918	8849847	6MT9/2530-99-828-4014	BOOT, DUST AND MOISTURE SEAL	
2919	8849855	6MT9/5330-99-825-6330	RING, SEALING, TOROIDAL	
2920	8849856	6MT9/2530-99-825-6300	VALVE, INLET AND EXHAUST	
2921	8849859	7BD/5330-99-495-4418	RING, SEALING, TOROIDAL	
2922	8849861	6MT1/5365-99-825-8626	RING, RETAINING	
2923	8849863	6MT9/2530-99-828-4009	PISTON	
2924	8849865	7BD/5935-99-833-7453	SOCKET, ELECTRICAL	
2925	8849867	6MT9/2530-99-811-6663	PARTS KIT, REACTION BRAKE	
2926	8849998	7BD/2930-99-812-9358	FAN, ENGINE COOLING	

I T E M N O	Mfr Part Number	Catalogue Number	Item Name	Remarks
2927	8850591	7BD/5305-99-135-6543	SCREW, MACHINE	
2928	8850679	G1/5320-99-137-1323	RIVET, TUBULAR	
2929	8851242	7BD/2530-99-821-7911	LINK PLATE	
2930	8851701	7BD/2930-99-812-4411	PIPE, STEEL	
2931	8851748	7BD/2930-99-787-5791	TANK, COOLANT, VEHICULAR	
2932	8852007	7BD/2510-99-813-6389	BRACKET, DOUBLE ANGLE	
2933	8852011	7BD/2930-99-813-9771	FAN, ENGINE COOLING	
2934	8852027	6MT7/3110-99-806-9619	BEARING, BALL, ANNULAR	
2935	8852041	7BD/2815-99-819-1670	WASHER HALF, THRUST	
2936	8852141	7BD/5310-99-136-5412	WASHER, FLAT	
2937	8852531	7BD/5340-99-829-2128	CLIP, SPRING TENSION	
2938	8853257	7BD/5306-99-137-6955	BOLT, BREAKHEAD	
2939	8853315	6MT9/2530-99-814-8377	VALVE, AUTOMATIC DRAIN	
2940	8853325	7RS/3825-99-805-7900	SPRING, HELICAL, COMPRESSION	
2941	8853635	6MT9/5330-99-820-2414	SEALING RING, PISTON	
2942	8853637	6MT9/5310-99-811-6670	WASHER, FLAT	
2943	8853639	6MT9/2590-99-820-2417	GASKET, FLANGE	
2944	8853640	6MT9/2530-99-815-4065	ROD, PISTON	
2945	8853641	6MT9/5360-99-881-9819	SPRING, HELICAL, COMPRESSION	
2946	8853643	6MT9/2530-99-811-5671	RETAINER, SPRING	
2947	8853645	6MT9/5330-99-811-9852	RING, SEALING, TOROIDAL	
2948	8853648	6MT9/5330-99-811-5673	PACKING, PREFORMED	
2949	8853649	G1/5306-99-941-0314	BOLT, MACHINE	
2950	8853650	G1/5310-99-135-2066	WASHER, LOCK	
2951	8853651	6MT9/2530-99-811-5674	ROD, INDICATOR	
2952	8853652	6MT9/2530-99-881-9826	DISC, FRICTION	
2953	8853654	6MT9/5310-99-135-2067	WASHER, FLAT	
2954	8853655	6MT9/2530-99-811-5675	PARTS KIT, AIR-HYDRAULIC	
2955	8853656	6MT9/2530-99-815-4065	ROD, PISTON	
2956	8853690	6MT9/5360-99-814-8383	SPRING, HELICAL, COMPRESSION	
2957	8853728	6MT1/5330-99-713-6163	RING, SEALING, TOROIDAL	
2958	8853729	6MT9/5330-99-540-6831	RING, SEALING, TOROIDAL	
2959	8853730	6MT9/5330-99-530-1947	RING, SEALING, TOROIDAL	
2960	8853731	6MT9/2530-99-811-6272	PARTS KIT, HAND CONTROL VALVE	
2961	8853732	6MT9/2530-99-204-7713	PARTS KIT, BRAKE VALVE	
2962	8853744	6MT9/5330-99-811-5958	RING, SEALING, TOROIDAL	
2963	8854684	7BD/2990-99-837-8920	PIPE, STEEL	
2964	8854685	7BD/5340-99-837-8910	STRAP, RETAINING	
2965	8854778	7BD/2540-99-814-7958	ROD, THROTTLE CONTROL	
2966	8854780	7BD/2540-99-814-7959	ROD, THROTTLE CONTROL	
2967	8854976	6MT1/5330-99-528-0022	RING, SEALING, TOROIDAL	
2968	8854984	7BD/2530-99-824-8878	COVER ASSEMBLY, STEERING GEAR	

ITEM NO	Mfr Part Number	Catalogue Number	Item Name	Remarks
2969	8855225	7BD/2530-99-822-9573	SHAFT, STRAIGHT	
2970	8855321	7BD/3020-99-830-9580	GEAR, HELICAL	
2971	8855347	7BD/2540-99-802-5920	PEDAL, CONTROL	
2972	8855365	7BD/5340-99-814-7947	CLAMP, BRAKE PIPES	
2973	8855451	6MT3/6220-99-818-8594	TAILLIGHT-STOPLIGHT	
2974	8855454	7BD/9905-99-818-8593	REFLECTOR, INDICATING, CLEARANCE	
2975	8855457	6MT3/6220-99-802-6857	DIRECTIONAL LIGHT, VEHICULAR	
2976	8855468	6MT4/5935-99-817-6797	RECEPTACLE HOUSING	
2977	8855469	Z1/2590-99-762-4217	COVER, BATTERY TERMINAL	
2978	8855486	7BD/5340-99-835-6115	BRACKET, ANGLE	
2979	8855487	7BD/4730-99-813-6358	TEE, HOSE	
2980	8855508	7BD/2590-99-825-3794	WIRING HARNESS, BRANCHED	
2981	8855513	Z32/5935-99-628-3569	SOCKET HOUSING, SEVEN WAY	
2982	8855514	Z32/5935-99-628-3126	INSERT, ELECTRICAL PLUG- SOCKET	
2983	8855517	Z32/5935-99-628-3568	CONNECTOR BODY, FREE, ELECTRICAL	
2984	8855520	6MT4/5930-99-822-9567	SWITCH TOGGLE	
2985	8855533	6MT3/4820-99-813-6357	VALVE, FOOT	
2986	8855587	6MT3/2540-99-824-8886	CONTAINER, WINDSHIELD WASHER	
2987	8855610	7BD/5930-99-813-6592	INDICATING PLATE, HEADLIGHT SELECTION	
2988	8855638	6MT4/2990-99-837-8931	SWITCH, IGNITER	
2989	8855967	7BD/5315-99-139-0628	KEY, WOODRUFF	
2990	8855989	7BD/5307-99-139-5242	STUD, PLAIN	
2991	8855991	7BD/2815-99-830-7322	PLUG, DIPSTICK HOLE	
2992	8856059	7BD/2815-99-814-6378	ENGINE BLOCK ASSEMBLY, DIESEL	
2993	8856064	7BD/2520-99-813-5949	HOUSING, CLUTCH	
2994	8856095	7BD/2910-99-830-9004	WASHER, SPECIAL	
2995	8856110	7BD/2530-99-813-9792	HOSE, PREFORMED	
2996	8856463	6MT1/4730-99-812-4526	PLUG, PIPE	
2997	8856464	7BD/2530-99-811-3117	HUB ASSEMBLY	
2998	8856937	6MT9/4730-99-810-1856	ADAPTOR, TEE, PIPE	
2999	8856997	7BD/4730-99-821-0333	ADAPTOR, TEE, PIPE	
3000	8856999	6MT9/2530-99-821-0332	GOVERNOR ASSEMBLY, AIR BRAKE	
3001	8858636	6MT9/4730-99-822-4793	ADAPTOR, STRAIGHT, PIPE	
3002	8978529	7BD/5340-99-244-7630	ESCUTCHEON PLATE	
3003	8978530	7BD/5340-99-662-8682	ESCUTCHEON PLATE	
3004	9104678	6MT10/2520-99-829-4637	KIT, REPAIR, CLUTCH	
3005	9275610	7BD/5340-99-749-8655	STRAP, LINE SUPPORTING	
3006	9275625	7BD/5340-99-428-0445	STRAP, LINE SUPPORTING	

I T E M N O	Mfr Part Number	Catalogue Number	Item Name	Remarks
3007	9279238	7BD/5340-99-755-9393	STRAP, LINE SUPPORTING	
3008	9403294	7BD/5310-99-821-7924	NUT, PLAIN, HEXAGON	
3009	9405896	G1/5305-99-121-4831	SCREW, TAPPING, THREAD FORMING	
3010	9413277	7BD/5315-99-977-1427	PIN, STRAIGHT, HEADED	
3011	9413379	7BD/2930-99-774-1618	RING, RETAINING	
3012	9415829	G1/5305-99-524-4084	SCREW, MACHINE	
3013	9416904	7BD/5305-99-993-8432	SCREW, MACHINE	
3014	9419258	G1/5310-99-134-1989	WASHER, FLAT	
3015	9431124	G1/5305-99-115-2883	SCREW, MACHINE	
3016	9431187	G1/5306-99-136-9872	BOLT, MACHINE	
3017	9431209	G1/5306-99-128-4680	BOLT, MACHINE	
3018	9901418	G1/5310-99-941-7070	NUT, PLAIN, HEXAGON	
3019	9902271	G1/5310-99-100-5771	WASHER, LOCK	
3020	9902272	7BD/5310-99-821-9997	WASHER, LOCK	
3021	9902275	G1/5310-99-100-5771	WASHER, LOCK	
3022	9902426	7BD/5310-99-640-7934	WASHER	
3023	9902537	7BD/5305-99-132-6680	SCREW, SET	
3024	9902628	7BD/5305-99-137-1456	SCREW, SET	
3025	9902639	G1/5305-99-941-2336	SCREW, MACHINE	
3026	9902644	G1/5305-99-941-8997	SCREW, MACHINE	
3027	9902652	G1/5305-99-941-2333	SCREW MACHINE	
3028	9902656	G1/5305-99-101-2952	SCREW, MACHINE	
3029	9902671	G1/5305-99-941-1882	SCREW, MACHINE	
3030	9902675	G1/5305-99-941-1884	SCREW, MACHINE	
3031	9902707	G1/5305-99-941-8340	SCREW, MACHINE	
3032	9902726	G1/5305-99-941-9101	SCREW, MACHINE	
3033	9902796	7BD/5340-99-833-2833	PLUG, EXPANSION	
3034	9902800	7BD/5340-99-833-5278	PLUG, EXPANSION	
3035	9902810	7BD/5340-99-833-5294	PLUG, EXPANSION	
3036	9903101	G1/5320-99-433-2462	RIVET, SOLID	
3037	9903102	G1/5320-99-433-2463	RIVET, SOLID	
3038	9903103	G1/5320-99-433-2464	RIVET, SOLID	
3039	9903104	G1/5320-99-433-2465	RIVET, SOLID	
3040	9903111	G1/5320-99-433-2475	RIVET, SOLID	
3041	9903112	G1/5320-99-433-2476	RIVET, SOLID,	
3042	9903113	G1/5320-99-433-2477	RIVET, SOLID	
3043	9903114	G1/5320-99-433-2478	RIVET, SOLID	
3044	9903115	G1/5320-99-433-2479	RIVET, SOLID	
3045	9903116	G1/5320-99-433-2480	RIVET, SOLID	
3046	9903118	G1/5320-99-137-1548	RIVET, SOLID	
3047	9903131	G1/5320-99-136-6282	RIVET, SOLID	
3048	9904982	G1/5310-99-941-8461	NUT, SELF-LOCKING, HEXAGON	
3049	9904983	G1/5310-99-941-7650	NUT, SELF-LOCKING, HEXAGON	
3050	9905264	7BD/5305-99-941-3525	NUT, SELF-LOCKING, HEXAGON	
3051	9905549	7BD/5305-99-138-1122	SCREW, ASSEMBLED WASHER	
3052	9905550	G1/5305-99-941-0686	SCREW, CAP, HEXAGON HEAD	

I T E M N O	Mfr Part Number	Catalogue Number	Item Name	Remarks
3053	9905554	G1/5305-99-941-0715	SCREW, CAP, HEXAGON HEAD	
3054	9905559	G1/5305-99-941-0699	SCREW, CAP, HEXAGON HEAD	
3055	9905571	G1/5305-99-941-0697	SCREW, CAP, HEXAGON HEAD	
3056	9905574	G1/5305-99-941-0705	SCREW, CAP, HEXAGON HEAD	
3057	9905577	7BD/5305-99-137-2954	SCREW, ASSEMBLED WASHER	
3058	9905579	G1/5305-99-941-0706	SCREW, CAP, HEXAGON HEAD	
3059	9905660	G1/5305-99-941-1172	SCREW, CAP, HEXAGON HEAD	
3060	9905665	G1/5305-99-941-0698	SCREW, CAP, HEXAGON HEAD	
3061	9905668	G1/5305-99-941-0706	SCREW, CAP, HEXAGON HEAD	
3062	9905682	G1/5305-99-941-0714	SCREW, CAP, HEXAGON HEAD	
3063	9905738	G1/5305-99-941-1555	BOLT, MACHINE	
3064	9905756	G1/5305-99-941-1172	SCREW, CAP, HEXAGON HEAD	
3065	9906034	6MT1/4730-99-112-6748	CLAMP, HOSE	
3066	9906035	6MT1/4730-99-420-3207	CLAMP, HOSE	
3067	9906036	6MT1/4730-99-420-3203	CLAMP, HOSE	
3068	9906037	6MT1/4730-99-420-3203	CLAMP, HOSE	
3069	9906038	6MT1/4730-99-533-2962	CLAMP, HOSE	
3070	9906041	6MT1/4730-99-420-3230	CLAMP, HOSE	
3071	9906042	6MT1/4730-99-420-3204	CLAMP, HOSE	
3072	9906043	6MT1/4730-99-420-3204	CLAMP, HOSE	
3073	9906045	6MT1/4730-99-420-3088	CLAMP, HOSE	
3074	9906046	6MT1/4730-99-420-3229	CLAMP, HOSE	
3075	9906047	W18/4730-99-420-3152	CLAMP, HOSE	
3076	9906048	6MT1/4730-99-420-3089	CLAMP, HOSE	
3077	9906075	G1/5310-99-941-6631	WASHER, LOCK	
3078	9906241	G1/5310-99-138-6812	NUT, SELF-LOCKING, HEXAGON	
3079	9906265	G1/5305-99-941-0557	SCREW, CAP, HEXAGON HEAD	
3080	9906292	7BD/5310-99-137-2270	WASHER, LOCK	
3081	9906293	G1/5310-99-941-6633	WASHER, LOCK	
3082	9906364	G1/5310-99-120-0697	NUT, SELF-LOCKING, HEXAGON	
3083	9906366	G1/5310-99-941-7650	NUT, SELF-LOCKING, HEXAGON	
3084	9906367	G1/5310-99-135-1172	NUT, SELF-LOCKING, HEXAGON	
3085	9906368	G1/5310-99-941-7071	NUT, SELF-LOCKING, HEXAGON	
3086	9906372	G1/5310-99-943-4301	NUT, SELF-LOCKING, HEXAGON	
3087	9906484	G1/5305-99-638-0512	SCREW, MACHINE	
3088	9906510	G1/5305-99-136-4975	SCREW, MACHINE	
3089	9906609	G1/5310-99-941-6634	WASHER, SPRING	
3090	9907321	G1/5310-99-534-5821	NUT, SELF-LOCKING, HEXAGON	
3091	9907636	7BD/5305-99-139-2489	SCREW, SELF-LOCKING	
3092	9908093	7BD/5306-99-785-1018	BOLT, SELF-LOCKING	
3093	9908242	7BD/5305-99-731-0947	SCREW, SELF-LOCKING	
3094	9908243	7BD/5305-99-731-0948	SCREW, SELF-LOCKING	
3095	9908332	7BD/5305-99-785-1017	SCREW, SELF-LOCKING	
3096	9908333	7BD/5305-99-785-1016	SCREW, SELF-LOCKING	
3097	9908335	7BD/5305-99-785-0311	SCREW, SELF-LOCKING	
3098	9908337	7BD/5306-99-785-0312	BOLT, SELF-LOCKING	
3099	9908338	7BD/5306-99-785-0313	BOLT, SELF-LOCKING	

I T E M N O	Mfr Part Number	Catalogue Number	Item Name	Remarks
3100	9908340	7BD/5306-99-785-1014	BOLT, SELF-LOCKING	
3101	9958138	6MT9/2530-99-759-1038	VALVE ASSEMBLY, TEST, AIR SYSTEM	
3102	9958598	7BD/2590-99-825-1080	WIRING HARNESS	
3103	9958600	7BD/2920-99-824-8352	WIRING HARNESS, BRANCHED	
3104	9958601	7BD/2920-99-824-8362	WIRING HARNESS, BRANCHED	
3105	9958603	7BD/2815-99-832-6838	PIPE ASSEMBLY	
3106	9958608	7BD/2920-99-824-8353	WIRING HARNESS, BRANCHED	
3107	9958609	7BD/2920-99-824-8364	WIRING HARNESS, BRANCHED	
3108	9958740	7BD/2590-99-736-4166	POST SHAFT	
3109	9959019	7BD/5330-99-824-8860	GASKET, DOOR HANDLE	
3110	9959020	7BD/5330-99-824-8861	GASKET, DOOR HANDLE	
3111	9959022	7BD/2540-99-829-8306	HANDLE, DOOR	
3112	9959168	7BD/4720-99-829-5028	HOSE, PREFORMED	
3113	9959176	7BD/5340-99-824-8888	CLIP, CABLE	
3114	9959273	7BD/2540-99-824-8882	HANDLE, DOOR	
3115	9959320	7BD/2540-99-822-3633	CONTROL ASSEMBLY, WINDSCREEN WASHER	
3116	9959386	6MT9/2530-99-824-8213	VALVE, PRESSURE REGULATING, MANUAL	
3117	9959412	7BD/2590-99-830-7850	PANEL, FRONT LINING	
3118	9959413	7BD/2590-99-830-7849	PANEL, FRONT LINING	
3119	9959485	7BD/6620-99-755-6331	THERMOSTAT, FLOW CONTROL	
3120	9959491	6MT14/2530-99-830-8968	WHEEL, PNEUMATIC TYRE	
3121	9959508	7BD/2520-99-823-7101	RETAINER	
3122	9959585	7BD/5340-99-740-2710	STRAP, RETAINING	
3123	9959682	7BD/2510-99-824-8369	MUDGUARD, VEHICULAR	
3124	9959683	7BD/2510-99-824-8370	MUDGUARD, VEHICULAR	
3125	9959726	7BD/2590-99-833-2625	GAUGE, PRESSURE	
3126	9959944	7BD/2540-99-814-7961	CROSS SHAFT ASSEMBLY	
3127	9959991	7BD/4720-99-823-9276	HOSE, RUBBER	
3128	9960063	7BD/2805-99-823-9351	CRANKSHAFT ASSEMBLY	
3129	9960091	7BD/2530-99-825-0026	BRAKE DRUM	
3130	9960183	7BD/2540-99-825-2197	HANDLE, DOOR	
3131	9960184	7BD/2540-99-824-8881	HANDLE, DOOR	
3132	9960238	6MT9/2530-99-833-4647	VALVE, RELAY, AIR PRESSURE	
3133	9960405	7BD/2590-99-830-7851	PANEL, FRONT LINING	
3134	9960466	7BD/2510-99-820-7044	CAB ASSEMBLY, VEHICULAR	
3135	9960467	7BD/2510-99-820-7045	CAB ASSEMBLY, VEHICULAR	
3136	9960473	7BD/2510-99-775-1472	CAB ASSEMBLY, FULLY TRIMMED	
3137	9960604	6MT9/4310-99-824-6711	COMPRESSOR, RECIPROCATING, POWER DRIVEN	
3138	9960974	6MT4/2920-99-822-6041	STARTER, ENGINE, ELECTRICAL	

I T E M N O	Mfr Part Number	Catalogue Number	Item Name	Remarks
3139	9960975	6MT4/2920-99-819-8482	STARTER, ENGINE, ELECTRICAL	
3140	9960979	X5/6240-99-791-6282	LAMP, FILAMENT	
3141	9961136	7BD/5355-99-833-4290	KNOB	
3142	9961189	7BD/5325-99-752-5162	FASTENER, SPRING TENSION, TRIM	
3143	9961287	7BD/2990-99-825-1980	ESCUTCHEON ASSEMBLY, ENGINE STOP CONTROL	
3144	9961289	7BD/2990-99-825-1689	ROD ASSEMBLY, ENGINE STOP CONTROL	
3145	9961318	6MT9/2530-99-833-4875	VALVE ASSEMBLY, DUAL RELAY	
3146	9961375	7BD/4730-99-792-5627	ELBOW, PIPE	
3147	9961515	7BD/2815-99-825-2108	PISTON, ENGINE	
3148	9961516	7BD/2815-99-824-9687	PISTON, INTERNAL COMBUSTION ENGINE	
3149	9961517	7BD/2815-99-824-9688	PISTON, INTERNAL COMBUSTION ENGINE	
3150	9961525	7BD/2520-99-778-6145	PLATE, RIM SECURING	
3151	9961562	6MT9/2530-99-825-1772	PARTS KIT, SPRING BRAKE ACTUATOR	
3152	9961667	6MT7/3110-99-824-2145	CAGE AND ROLLERS, BEARING	
3153	9961697	6MT9/2530-99-820-5431	TANK, OIL, HYDRAULIC SYSTEM	
3154	9961709	6MT9/2530-99-822-7791	SERVO CYLINDER, AIR PRESSURE	
3155	9961719	6MT4/2540-99-825-2725	LEVER, DIRECTION INDICATOR	
3156	9961728	6MT10/2520-99-822-1228	PARTS KIT, UNIVERSAL JOINT	
3157	9961730	6MT10/2520-99-532-5574	SPIDER, UNIVERSAL JOINT	
3158	9961750	6MT9/4320-99-201-8942	BEARING ASSEMBLY, SLEEVE	
3159	9961751	6MT9/4320-99-825-5082	PARTS KIT, STEERING PUMP	
3160	9961753	6MT9/1440-99-257-2723	GEAR PACK ASSEMBLY	
3161	9961754	6MT9/5306-99-137-0586	BOLT, MACHINE	
3162	9961756	6MT1/5315-99-806-9256	KEY, WOODRUFF	
3163	9961758	6MT9/5315-99-817-2445	PIN, HOLLOW	
3164	9961759	6MT9/4320-99-822-6130	CAP, SPRING	
3165	9961768	6MT9/4320-99-822-6137	CAP, VALVE	
3166	9961770	7BD/2510-99-824-4071	DOOR, ACCESS, VEHICULAR	
3167	9961771	7BD/2510-99-824-2131	DOOR, ACCESS, VEHICULAR	
3168	9961842	6MT9/2530-99-822-7776	BODY, VALVE	
3169	9961921	7BD/2920-99-828-0899	SWITCH IGNITION	
3170	9961922	7BD/2920-99-779-6300	HOUSING, SWITCH	
3171	9961925	7BD/5305-99-138-6260	SCREW, SWITCH	
3172	9961926	7BD/5305-99-138-6261	SCREW, HOUSING	
3173	9961989	7BD/5330-99-823-8404	GASKET AND PREFORMED PACKING SET	
3174	9961993	7BD/2530-99-822-6146	BRAKE LINING KIT	

I T E M N O	Mfr Part Number	Catalogue Number	Item Name	Remarks
3175	9962229	7BD/5945-99-825-7557	FLASHER, TURNLIGHT	
3176	9962608	7BD/4720-99-833-4676	HOSE, RUBBER	
3177	9962669	7BD/2930-99-823-7995	PUMP, CENTRIFUGAL	
3178	9962670	7BD/2930-99-825-9888	PUMP, ENGINE COOLANT	
3179	9962671	7BD/4320-99-824-8669	PUMP, CENTRIFUGAL	
3180	9962683	7BD/4730-99-824-3052	NUT, UNION, PIPE	
3181	9962816	6MT9/2530-99-832-2389	TANK, PRESSURE	
3182	9962883	7BD/2815-99-825-1117	COVER, PUSH ROD	
3183	9962885	7FN/2520-99-825-2800	COVER, PLATE, ACCESS	
3184	9962993	7BD/2815-99-829-5016	DAMPER, ASSEMBLY, CRANKSHAFT	
3185	9963030	7BD/2805-99-825-3035	VALVE, POPPET, ENGINE	
3186	9963091	6MT3/5945-99-839-8314	FLASHER, ELECTRONIC	
3187	9963295	7BD/2590-99-825-2321	PANEL, INSTRUMENT, VEHICULAR	
3188	9963465	7BD/5330-99-822-2330	GASKET, CYLINDER HEAD	
3189	9963481	7BD/4730-99-708-7965	ADAPTOR, STRAIGHT, PIPE	
3190	9963683	7BD/2815-99-829-5007	CYLINDER HEAD, DIESEL ENGINE	
3191	9963969	7BD/2815-99-830-7323	CYLINDER HEAD, DIESEL ENGINE	
3192	9964100	7BD/4720-99-825-3557	HOSE, PREFORMED	
3193	9964258	7BD/2910-99-827-9913	PACKING PIECE	
3194	9964299	7BD/4720-99-832-7045	HOSE, RUBBER	
3195	9964304	7BD/2815-99-825-2714	ENGINE, DIESEL	
3196	9964305	7BD/2815-99-828-7780	ENGINE, DIESEL	
3197	9964306	7BD/2815-99-834-0807	ENGINE, DIESEL	
3198	9964307	7BD/2815-99-834-0805	ENGINE, DIESEL	
3199	9964388	7BD/5310-99-139-0625	NUT, PLAIN, HEXAGON	
3200	9964493	7BD/2910-99-828-0188	SHAFT ASSEMBLY, THROTTLE CONTROL	
3201	9964496	7BD/2540-99-830-6576	ARM	
3202	9964497	7BD/2540-99-830-6577	ROD, THROTTLE CONTROL	
3203	9964713	7BD/5330-99-824-0550	GASKET	
3204	9964745	7BD/5315-99-830-2472	NIPPLE	
3205	9964801	7BD/5340-99-833-4584	CLIP, SPRING TENSION	
3206	9964820	6MT9/4730-99-833-4699	COUPLING HALF, QUICK DISCONNECT	
3207	9964919	7BD/2520-99-823-2379	SELECTOR ROD	
3208	9964921	7BD/2520-99-823-8373	ROD, SELECTOR, GEARBOX	
3209	9964996	7BD/2520-99-778-6816	CLUTCH, SLIDING SLEEVE	
3210	9964997	7BD/2520-99-767-4459	CLUTCH, SLIDING SLEEVE	
3211	9965013	6MT9/4730-99-836-7843	PLUG, PIPE	
3212	9965017	7BD/2815-99-829-5416	FLYWHEEL ASSEMBLY	
3213	9965062	7BD/4720-99-829-7383	HOSE, PREFORMED	
3214	9965063	7BD/2930-99-836-1275	HOSE, PREFORMED	

I T E M N O	Mfr Part Number	Catalogue Number	Item Name	Remarks
3215	9965088	7BD/2815-99-829-5013	WASHER, IDLER GEAR, THRUST	
3216	9965180	7BD/6140-99-828-6184	LEAD, SECONDARY BATTERY	
3217	9965237	6MT1/5330-99-943-6628	GASKET	
3218	9965372	6MT1/5340-99-755-8911	CLIP, SPRING TENSION	
3219	9965445	7BD/5310-99-732-7587	NUT, LIFTING CABLE	
3220	9965462	7BD/2510-99-825-5698	BUSH ASSEMBLY, TORQUE ROD	
3221	9965572	7BD/2990-99-837-8919	PIPE, EXHAUST	
3222	9965717	6MT12/2910-99-825-6288	STRAINER ASSEMBLY	
3223	9965871	7BD/5325-99-825-8742	GROMMET, RUBBER	
3224	9966020	7BD/2930-99-825-2187	SWITCH, FLOAT, LIQUID LEVEL	
3225	9966021	7BD/2930-99-825-3401	TANK, COOLANT, VEHICULAR	
3226	9966207	7BD/3040-99-825-6881	CONNECTING LINK, RIGID	
3227	9966214	6MT3/2590-99-763-4526	HORN, ELECTRICAL	
3228	9966225	7BD/5340-99-830-6581	STRAP, RETAINING	
3229	9966473	7BD/5340-99-830-6580	BRACKET, SILENCER SUPPORT	
3230	9966474	7BD/5340-99-828-5503	STRAP, SILENCER	
3231	9966580	7BD/3030-99-825-7730	BELTS, VEE, ENDLESS, MATCHED SET	
3232	9966582	7BD/3030-99-824-2756	BELTS, VEE, ENDLESS, MATCHED SET	
3233	9966607	6MT7/3110-99-829-5017	BEARING, BALL, ANNULAR	
3234	9966781	6MT12/2910-99-829-1737	NOZZLE ASSEMBLY, FUEL, PRESSURE ATOMIZING	
3235	9966790	7BD/2520-99-824-8212	GEARBOX, MECHANICAL	
3236	9966792	7BD/2520-99-825-9550	GEARBOX, MECHANICAL	
3237	9966793	7BD/2520-99-823-3515	GEARBOX, MECHANICAL	
3238	9966871	7BD/4720-99-829-7384	HOSE, PREFORMED	
3239	9966906	7BD/2520-99-825-0366	GASKET, GEARBOX CASING, FRONT	
3240	9966954	7BD/4720-99-829-7381	HOSE, PREFORMED	
3241	9967040	7BD/2990-99-829-8455	SUPPORT CLAMP, UPPER	
3242	9967041	7BD/2990-99-829-8456	SUPPORT CLAMP, LOWER	
3243	9967071	7BD/5340-99-765-8962	MOUNT, RESILIENT	
3244	9967091	7BD/4720-99-824-8449	HOSE, PREFORMED	
3245	9967107	7BD/2815-99-777-4447	ADAPTOR, AIR CLEANER	
3246	9967172	7BD/4720-99-824-8448	HOSE, PREFORMED	
3247	9967262	7BD/2940-99-824-8446	CONNECTION, AIR INTAKE FILTER	
3248	9967277	7BD/2910-99-831-7315	PACKING PIECE	
3249	9967342	7BD/3010-99-833-3495	DRIVE UNIT, CONSTANT SPEED	
3250	9967378	7BD/2815-99-829-8950	PIPE, STEEL	
3251	9967477	G1/5305-99-139-5552	SCREW, SOCKET HEAD	
3252	9967478	7BD/5330-99-830-7319	GASKET	
3253	9967479	7BD/3110-99-830-7318	PLATE, RETAINING, BEARING	
3254	9967660	6MT9/4730-99-800-9786	INVERTED NUT, UNION, PIPE	

ITEM NO	Mfr Part Number	Catalogue Number	Item Name	Remarks
3255	9967693	7BD/2805-99-830-0881	MANIFOLD, INDUCTION, ENGINE	
3256	9967836	7BD/2510-99-825-8556	PANEL ASSEMBLY, VEHICULAR DOOR	
3257	9967837	7BD/2510-99-825-7804	PANEL ASSEMBLY, VEHICULAR DOOR	
3258	9967854	6MT10/3120-99-825-1731	BEARING, SLEEVE	
3259	9968098	7BD/2510-99-830-6127	CAB ASSEMBLY, VEHICULAR	
3260	9968220	7BD/2815-99-833-4137	CRANKSHAFT, ENGINE	
3261	9968224	7BD/2815-99-829-4639	CAMSHAFT, ENGINE	
3262	9968248	6MT12/2940-99807-0264	INDICATOR, AIR FILTER ELEMENT	
3263	9968448	7BD/2815-99-832-6833	VALVE, POPPET, ENGINE	
3264	9968648	7BD/2520-99-823-9619	CARRIER ASSEMBLY, DIFFERENTIAL	
3265	9968686	6MT9/2530-99-824-4554	REPAIR KIT, VALVE	
3266	9968688	7BD/2930-99-824-2138	PARTS KIT, WATER PUMP	
3267	9969528	7BD/2990-99-752-5177	PLATE, SILENCER SUPPORT	
3268	9969538	7BD/2990-99-824-9571	PLATE, EXHAUST, PIPE, LOWER	
3269	9969557	7BD/2910-99-832-6911	TANK, FUEL, ENGINE	
3270	9969627	7BD/5975-99-825-0378	JUNCTION BOX	
3271	9969646	7BD/6220-99-765-9381	LIGHT, ROOF	
3272	9969647	7BD/6680-99-825-0371	INSTRUMENT HEAD ASSEMBLY	
3273	9969656	6MT3/6220-99-882-0113	TURNLIGHT	
3274	9969661	7BD/6220-99-793-6249	SHROUD, HEADLIGHT	
3275	9969767	6MT4/5930-99-825-0381	SWITCH, PRESSURE	
3276	9969768	6MT4/5930-99-824-9573	SWITCH, FALLING OIL PRESSURE	
3277	9969788	7BD/6150-99-824-9575	LEAD, ELECTRICAL	
3278	9969820	7BD/2990-99-824-9572	STRAP, SILENCER	
3279	9969878	7BD/2590-99-838-9017	WIRING, HARNESS	
3280	9969885	7BD/2590-99-765-9393	WIRING, HARNESS	
3281	9969891	7BD/6220-99-838-6873	SIDELIGHT	
3282	9973500	6MT1/6680-99-764-5549	TACHOMETER, MECHANICAL, FIXED MOUNTING	
3283	9975566	7BD/2910-99-781-4187	CAP, FILLER OPENING	
3284	9975663	6MT1/2540-99-881-3781	CAP, FILLER OPENING	
3285	11010024	G1/5310-99-122-6476	WASHER, FLAT	
3286	11010031	G1/5310-99-127-6119	WASHER, LOCK	
3287	11010076	G1/5310-99-977-7351	WASHER, FLAT	
3288	11010122	G1/5310-99-135-0755	NUT, PLAIN, HEXAGON	
3289	11010234	G1/5306-99-122-8675	BOLT, MACHINE	
3290	11010505	G1/5310-12-125-0077	WASHER, FLAT	
3291	11010699	G1/5310-99-135-9304	WASHER, LOCK	
3292	11010703	G1/5310-99-138-6235	WASHER, LOCK	
3293	11010719	7BD/5315-99-749-1999	PIN, COTTER, SPLIT	
3294	11010782	G1/5305-99-122-5359	SCREW, CAP, HEXAGON HEAD	

I T E M N O	Mfr Part Number	Catalogue Number	Item Name	Remarks
3295	11010808	G1/5310-99-122-5294	NUT, PLAIN, HEXAGON	
3296	11011046	G1/5310-99-122-3414	WASHER, FLAT	
3297	11011139	G1/5310-99-977-1867	WASHER, LOCK	
3298	11011379	G1/5310-12-126-5880	WASHER, LOCK	
3299	11011409	G1/5310-99-633-4723	WASHER, LOCK	
3300	11011418	G1/5310-99-122-5295	NUT, PLAIN, HEXAGON	
3301	11011423	G1/5310-99-203-6405	WASHER, LOCK	
3302	11011483	G1/5310-99-122-6475	WASHER, FLAT	
3303	11011824	G1/5310-99-636-2987	WASHER, LOCK	
3304	11011885	7BD/5310-99-137-6651	WASHER, LOCK	
3305	11011951	7BD/5310-99-773-0972	NUT, PLAIN, WING	
3306	11012079	G1/5310-12-146-3828	WASHER, LOCK	
3307	11013127	G1/5310-99-122-5297	NUT, PLAIN, HEXAGON	
3308	11013172	G1/5310-99-138-4827	SCREW, MACHINE	
3309	11013222	G1/5305-99-977-1102	WASHER, LOCK	
3310	11013233	G1/5310-99-135-9293	WASHER, LOCK	
3311	11013262	G1/5306-99-122-4911	BOLT, MACHINE	
3312	11013271	G1/5305-99-122-8665	SCREW, CAP, HEXAGON HEAD	
3313	11013285	G1/5310-99-122-5298	NUT, PLAIN, HEXAGON	
3314	11013362	G1/5310-99-139-6771	WASHER, LOCK	
3315	11015639	X5/6240-99-995-1254	LAMP, FILAMENT	
3316	11016659	7BD/4730-99-774-2365	SLEEVE, COMPRESSION, PIPE- HOSE FITTING	
3317	11016672	7BD/5305-99-761-2019	SCREW, MACHINE	
3318	11017011	G1/5310-99-122-3032	WASHER, FLAT	
3319	11020919	G1/5305-99-122-8664	SCREW, CAP, HEXAGON HEAD	
3320	11020959	X5/6240-99-995-2245	LAMP, FILAMENT	
3321	11024191	7BD/5310-99-727-7798	WASHER, LOCK	
3322	11027991	G1/5305-99-122-8579	SCREW, CAP, HEXAGON HEAD	
3323	11029691	G1/5310-99-135-2536	WASHER, SPRING TENSION	
3324	11035602	G1/5310-99-756-9561	WASHER, FLAT	
3325	11037481	G1/5305-99-977-3285	SCREW, TAPPING, THREAD FORMING	
3326	11037506	G1/5305-99-137-1282	SCREW, TAPPING, THREAD FORMING	
3327	11038152	7BD/5305-99-978-0542	SCREW, MACHINE	
3328	11038713	G1/5305-99-135-0424	SCREW, MACHINE	
3329	11038752	G1/5305-99-977-3244	SCREW, TAPPING, THREAD FORMING	
3330	11038761	G1/5305-99-901-9736	SCREW, TAPPING, THREAD FORMING	
3331	11038791	G1/5305-99-971-0484	SCREW, TAPPING, THREAD FORMING	
3332	11038792	G1/5305-99-977-3296	SCREW, TAPPING, THREAD FORMING	
3333	11038801	G1/5305-99-803-2960	SCREW, TAPPING, THREAD FORMING	

I T E M N O	Mfr Part Number	Catalogue Number	Item Name	Remarks
3334	11038822	G1/5305-99-951-1478	SCREW, TAPPING, THREAD FORMING	
3335	11038826	G1/5305-99-951-1478	SCREW, TAPPING, THREAD FORMING	
3336	11039152	G1/5305-99-120-7331	SCREW, TAPPING, THREAD FORMING	
3337	11039162	G1/5305-99-135-0428	SCREW, MACHINE	
3338	11040192	G1/5310-99-122-5296	NUT, PLAIN, HEXAGON	
3339	11041092	G1/5305-99-122-8586	SCREW, CAP, HEXAGON HEAD	
3340	11041103	G1/5305-99-122-3021	SCREW, CAP, HEXAGON HEAD	
3341	11041183	G1/5305-99-122-3067	SCREW, CAP, HEXAGON HEAD	
3342	11041682	7BD/5306-99-736-6841	BOLT, MACHINE	
3343	11041732	G1/5305-99-941-8362	SCREW, TAPPING, THREAD FORMING	
3344	11041752	G1/5305-99-124-8877	SCREW, TAPPING, THREAD FORMING	
3345	11041847	G1/5305-99-941-8363	SCREW, TAPPING, THREAD FORMING	
3346	11042401	G1/5305-99-122-5364	SCREW, CAP, HEXAGON HEAD	
3347	11042402	G1/5305-99-122-5364	SCREW, CAP, HEXAGON HEAD	
3348	11042465	G1/5306-99-122-5254	BOLT, MACHINE	
3349	11042852	G1/5310-12-126-8096	WASHER, LOCK	
3350	11042892	G1/5305-99-977-4949	SCREW, CAP, HEXAGON HEAD	
3351	11043185	G1/5306-99-122-8103	BOLT, MACHINE	
3352	11043263	G1/5305-99-760-1898	SCREW, MACHINE	
3353	11043624	G1/5305-99-122-5256	SCREW, CAP, HEXAGON HEAD	
3354	11043852	G1/5305-99-121-4081	SCREW, TAPPING, THREAD FORMING	
3355	11045121	G1/5305-99-977-3257	SCREW, TAPPING, THREAD FORMING	
3356	11045212	G1/5306-99-122-5263	BOLT, MACHINE	
3357	11045363	G1/5306-99-137-7006	SCREW, TAPPING, THREAD FORMING	
3358	11046493	G1/5305-99-122-5365	SCREW, MACHINE	
3359	11046991	G1/5305-99-122-5356	SCREW, CAP, HEXAGON HEAD	
3360	11047302	G1/5305-99-124-8120	SCREW, TAPPING, THREAD FORMING	
3361	11047303	G1/5305-99-124-8120	SCREW, TAPPING, THREAD FORMING	
3362	11047304	G1/5305-99-977-3262	SCREW, TAPPING, THREAD FORMING	
3363	11047392	G1/5305-99-977-3264	SCREW, TAPPING, THREAD FORMING	
3364	11047681	G1/5305-99-137-7480	SCREW, TAPPING, THREAD FORMING	
3365	11047959	X5/6240-99-995-9408	LAMP, FILAMENT	

I T E M N O	Mfr Part Number	Catalogue Number	Item Name	Remarks
3366	11048362	G1/5305-99-138-8079	SCREW, TAPPING, THREAD FORMING	
3367	11049112	G1/5305-99-977-3266	SCREW, TAPPING, THREAD FORMING	
3368	11051209	X5/6240-99-995-3248	LAMP, FILAMENT	
3369	11051583	G1/5306-99-122-5257	BOLT, MACHINE	
3370	11052351	G1/5305-99-950-4416	SCREW, TAPPING, THREAD FORMING	
3371	11053542	G1/5305-99-948-0339	SCREW, TAPPING, THREAD FORMING	
3372	11054371	7BD/5310-99-799-1627	WASHER, FLAT	
3373	11055212	G1/5306-99-138-1583	BOLT, SQUARE NECK	
3374	11055462	G1/5310-12-154-3949	WASHER, LOCK	
3375	11057692	G1/5305-99-122-5261	SCREW, CAP, HEXAGON HEAD	
3376	11059149	X5/6240-99-995-2615	LAMP, FILAMENT	
3377	11060811	G1/5310-99-122-5495	NUT, SELF-LOCKING, HEXAGON	
3378	11062779	X5/6240-99-995-3281	LAMP, FILAMENT	
3379	11066382	G1/5310-99-139-3933	NUT, SELF-LOCKING, HEXAGON	
3380	11066401	7BD/4730-99-748-8289	BOLT, FLUID PASSAGE	
3381	11067212	G1/5310-99-122-5501	NUT, SELF-LOCKING, HEXAGON	
3382	11067235	G1/5310-99-139-2381	NUT, SELF-LOCKING, HEXAGON	
3383	11068353	G1/5310-99-138-1490	NUT, SELF-LOCKING, HEXAGON	
3384	11069294	G1/5305-99-122-4165	SCREW, TAPPING, THREAD FORMING	
3385	11070033	G1/5306-99-122-4909	BOLT, MACHINE	
3386	11071211	G1/5320-99-138-2857	RIVET, BLIND	
3387	11071361	X5/6240-99-995-2155	LAMP, FILAMENT	
3388	11071791	G1/5306-99-122-2778	BOLT, MACHINE	
3389	11072631	7BD/5330-99-822-1244	RING, SEALING, TOROIDAL	
3390	11072781	7BD/5310-99-759-2091	NUT, SHEET SPRING	
3391	11073351	G1/5306-99-122-4910	BOLT, MACHINE	
3392	11073411	7BD/5310-99-137-9592	NUT, SHEET SPRING	
3393	11073522	G1/5305-99-977-3297	SCREW, TAPPING, THREAD FORMING	
3394	11073582	G1/5305-99-138-2195	SCREW, TAPPING, THREAD FORMING	
3395	11073611	G1/5305-99-977-3273	SCREW, TAPPING, THREAD FORMING	
3396	11073651	G1/5305-99-138-2194	SCREW, TAPPING, THREAD FORMING	
3397	11073811	G1/5305-99-136-1740	SCREW, TAPPING, THREAD FORMING	
3398	11073821	G1/5306-99-122-8669	BOLT, MACHINE	
3399	11074891	7BD/5310-99-137-6095	NUT, SHEET SPRING	
3400	11075271	G1/5306-99-122-2773	BOLT, MACHINE	
3401	11075281	G1/5306-99-122-5262	BOLT, MACHINE	
3402	11075283	7BD/5306-99-853-6183	BOLT, MACHINE	

I T E M N O	Mfr Part Number	Catalogue Number	Item Name	Remarks
3403	11075793	7BD/5306-99-773-3701	BOLT	
3404	11075811	G1/5305-99-977-3272	SCREW, TAPPING, THREAD FORMING	
3405	11075813	G1/5305-99-137-0318	SCREW, TAPPING, THREAD FORMING	
3406	11075951	7BD/2590-99-833-3478	CLAMP, PIPE	
3407	11075961	7BD/5306-99-729-0898	BOLT, U	
3408	11075971	7BD/5306-99-833-3477	BOLT, U	
3409	11077161	7BD/5315-99-570-5835	PIN, SPRING	
3410	11077701	G1/5305-99-136-3260	SCREW, CAP, HEXAGON HEAD	
3411	11078081	G1/5305-99-122-5292	SCREW, MACHINE	
3412	11078111	G1/5306-99-794-1615	BOLT, MACHINE	
3413	11078761	7BD/6240-99-614-6691	LAMP, INCANDESCENT	
3414	11078971	G1/5305-99-977-1515	WASHER, LOCK	
3415	11079783	7BD/5315-99-991-0003	PIN, COTTER, SPLIT	
3416	11080581	G1/5305-99-135-0261	SCREW, MACHINE	
3417	11080861	G1/5305-99-122-8099	SCREW, CAP, HEXAGON HEAD	
3418	11082621	7BD/6240-99-009-0471	LAMP, FILAMENT	
3419	11082851	7BD/5315-99-350-2997	PIN, STRAIGHT, HEADED	
3420	11082871	7BD/5315-99-761-4862	KEY, WOODRUFF	
3421	11085761	7BD/6240-99-653-9347	LAMP, INCANDESCENT	
3422	11089331	7BD/5315-99-983-0008	PIN, STRAIGHT, HEADLESS	
3423	11090031	7BD/5306-99-833-3477	BOLT, U	
3424	11499059	7BD/5310-99-978-2438	NUT	
3425	11499061	7BD/4730-99-839-0659	NUT, UNION, PIPE	
3426	11499115	G1/5305-99-950-4416	SCREW, TAPPING, THREAD FORMING	
3427	11499126	G1/5305-99-951-1478	SCREW, TAPPING, THREAD FORMING	
3428	11499137	7BD/5305-99-828-5516	SCREW, TAPPING	
3429	11499161	G1/5305-99-122-5359	SCREW, CAP, HEXAGON HEAD	
3430	11499163	7BD/2510-99-813-6282	NUT, SPECIAL, WELDING	
3431	11499187	7BD/5310-99-781-7429	NUT, SHEET SPRING	
3432	11499232	G1/5310-99-947-9482	NUT, SHEET SPRING	
3433	11499236	7BD/4730-99-748-1848	REDUCER, PIPE	
3434	11499245	8REGC/5305-99-139-5311	SCREW, TAPPING, THREAD FORMING	
3435	11499247	7BD/4730-99-781-4192	NUT, UNION, PIPE	
3436	11499302	7BD/4730-99-749-0998	INVERTED NUT, UNION, PIPE	
3437	11499303	7BD/4730-99-774-2366	INVERTED NUT, TUBE COUPLING	
3438	11499311	7BD/5307-99-773-3698	STUD	
3439	11499646	7BD/4730-99-792-5638	NUT, UNION, PIPE	
3440	11499672	7BD/4730-99-793-2750	CONNECTOR, HOSE	
3441	25061232	7BD/6680-99-978-0344	ADAPTOR, SPEED CABLE	
3442	25061338	6MT4/2920-99-825-2733	REGULATOR, VOLTAGE	
3443	25061339	6MT1/6680-99-733-4746	KIT, GAUGE, FUEL	

ITEM NO	Mfr Part Number	Catalogue Number	Item Name	Remarks
3444	25061340	7BD/6685-99-001-1805	GAUGE	
3445	25061341	7BD/6680-99-014-4136	KIT, GAUGE, AIR	
3446	25061342	6MT1/6680-99-825-4258	GAUGE, PRESSURE, DIAL INDICATING	
3447	90046019	7BD/5310-99-741-3722	WASHER, FLAT	
3448	90109327	7BD/5340-99-535-6366	HANDLE, BOW	
3449	91000063	7BD/2815-99-838-4759	SEAT, VALVE	
3450	91000064	7BD/2815-99-838-4761	SEAT, VALVE	
3451	91000066	7BD/2815-99-838-4750	GUIDE, ENGINE POPPET VALVE	
3452	91000162	7BD/2815-99-743-8854	GUIDE, ENGINE POPPET VALVE	
3453	91000192	7BD/2815-99-832-6835	COLLET, SPLIT	
3454	91000196	7BD/2540-99-825-6883	SEAT, INDIVIDUAL	
3455	91000197	7BD/2540-99-827-9447	SEAT, INDIVIDUAL	
3456	91000484	7BD/2815-99-832-6844	PUSH ROD, ENGINE POPPET VALVE	
3457	91000508	7BD/2805-99-827-1466	GASKET, OIL FILTER	
3458	91000643	7BD/2815-99-832-7044	ROCKER ARM, ENGINE POPPET VALVE	
3459	91000709	7BD/2590-99-825-4053	WIRING HARNESS	
3460	91000791	7BD/5305-99-838-4757	SCREW, SELF-LOCKING	
3461	91000883	6MT1/5330-99-829-4625	SEAL, PLAIN	
3462	91001032	7BD/5306-99-838-4755	BOLT, EXTERNALLY RELIEVED BODY	
3463	91001033	7BD/5306-99-838-4756	BOLT, EXTERNALLY RELIEVED BODY	
3464	91001225	7BD/5306-99-838-4753	BOLT, MACHINE	
3465	91002170	7BD/2540-99-731-3318	CROSS SHAFT ASSEMBLY, THROTTLE CONTROL	
3466	91002539	6MT9/2530-99-828-8498	ADJUSTER	
3467	91002552	6MT10/2520-99-740-8067	LINING, FRICTION	
3468	91002557	7BD/2510-99-824-7178	EDGE FINISHER, BODY	
3469	91002580	7BD/2540-99-823-7171	VISOR, SUN, VEHICLE	
3470	91002584	6MT12/2910-99-828-7021	BOWL, SEDIMENT	
3471	91002593	6MT9/2530-99-828-3277	VALVE ASSEMBLY, AIR RESERVOIR	
3472	91002746	6MT3/6220-99-825-8746	ADAPTOR, LAMP	
3473	91002915	7BD/2520-99-824-2128	SEAT, GEAR SHIFT LEVER	
3474	91002923	6MT3/6220-99-821-4898	LENS, LIGHT	
3475	91002928	6MT4/2540-99-824-2750	RADIATOR, HEATER, VEHICULAR	
3476	91003332	7BD/4720-99-832-7155	HOSE, PREFORMED	
3477	91003408	7BD/4720-99-836-1936	HOSE, RUBBER	
3478	91003813	7BD/4720-99-823-9276	HOSE, RUBBER	
3479	91004017	7BD/5306-99-825-1103	BOLT, MACHINE	
3480	91004018	G1/5306-99-941-0355	BOLT, MACHINE	

I T E M N O	Mfr Part Number	Catalogue Number	Item Name	Remarks
3481	91004134	6MT9/4730-99-828-9456	ADAPTOR, TEE, PIPE	
3482	91004406	7BD/5330-99-838-4841	GASKET	
3483	91004629	7BD/2530-99-828-9193	BISECTOR EXPANDER, BRAKE	
3484	91004731	7BD/2540-99-825-4469	PIPE, STEEL	
3485	91005088	6MT3/2540-99-829-9000	MIRROR ASSEMBLY, REARVIEW	
3486	91005109	7BD/2590-99-517-8246	WIRING HARNESS, BRANCHED	
3487	91005139	7BD/2930-99-740-8069	ELBOW, COOLANT OUTLET	
3488	91005170	7BD/2530-99-825-3773	VALVE ASSEMBLY, HAND CONTROL	
3489	91005392	7BD/4720-99-781-2429	HOSE, PREFORMED	
3490	91005431	7BD/4720-99-832-9472	HOSE, PREFORMED	
3491	91005739	7BD/2910-99-748-0396	BRACKET, FUEL TANK STOP	
3492	91005847	6MT3/6220-99-836-7175	LIGHT, DOME	
3493	91005848	7BD/6220-99-835-5755	LIGHT, DOME	
3494	91005927	G1/5310-99-803-1680	WASHER, LOCK	
3495	91006066	7BD/2540-99-752-2452	SPACER, BEVEL	
3496	91006273	7BD/2815-99-741-3736	COVER PLATE, ACCESS	
3497	91006724	7BD/2510-99-282-6365	PLATE, REINFORCEMENT	
3498	91006809	7BD/5306-99-830-9554	BOLT, HEXAGON LOCK	
3499	91006939	7BD/2590-99-830-2470	CENTRAL ASSEMBLY, PUSH- PULL	
3500	91007049	7BD/6150-99-824-9574	LEAD, ELECTRICAL	
3501	91007053	7BD/6135-99-762-4506	COVER BATTERY BOX	
3502	91007054	7BD/6135-99-762-4506	BATTERY BOX	
3503	91007063	6MT1/4730-99-801-8722	ADAPTOR, TEE, PIPE-HOSE	
3504	91007074	7BD/6220-99-838-6867	LIGHT, INDICATOR	
3505	91007075	7BD/5935-99-838-6870	CONNECTOR ASSEMBLY, ELECTRICAL	
3506	91007080	7BD/2540-99-820-1965	BASE, SIDELIGHT TURNLIGHT	
3507	91007088	7BD/5935-99-828-2000	PLUG-SOCKET ASSEMBLY	
3508	91007149	6MT4/5920-99-948-6909	FUSE, CARTRIDGE	
3509	91007151	6MT4/5920-99-804-8582	FUSE LINK, CARTRIDGE	
3510	91007152	7BD/5940-99-838-6878	TERMINAL BOARD	
3511	91007153	6MT4/5940-99-825-0388	TERMINAL BLOCK	
3512	91007154	6MT4/5940-99-806-7028	FUSE BOX	
3513	91007202	6MT4/6105-99-825-3762	MOTOR, ELECTRIC	
3514	91007204	6MT1/5330-99-825-3764	SEALING STRIP	
3515	91007205	6MT1/5355-99-802-5934	KNOB	
3516	91007206	6MT1/5310-99-137-9593	NUT, PLAIN, HEXAGON	
3517	91007207	6MT4/5310-99-137-6598	WASHER, SPRING TENSION	
3518	91007477	7BD/4720-99-824-8189	HOSE RUBBER	
3519	91007950	7BD/2815-99-838-5305	VALVE, POPPET, ENGINE	
3520	91008079	7BD/2590-99-825-4372	CONTROL ASSEMBLY, IDLING	
3521	91008120	7BD/2590-99-825-4177	CABLE ASSEMBLY, IDLING	
3522	91008149	7BD/2540-99-828-0913	PIPE, HEATER OUTLET	
3523	91008350	6MT7/3110-99-809-6510	BEARING, BALL, JOURNAL	

I T E M N O	Mfr Part Number	Catalogue Number	Item Name	Remarks
3524	91008362	7BD/3020-99-830-6181	PULLEY, GROOVE	
3525	91008382	7BD/5310-99-139-5241	WASHER, FLAT	
3526	91008514	6MT9/2530-99-725-3502	PIN, GROOVED, HEADLESS	
3527	91008553	7BD/2530-99-828-0187	PLATE ASSEMBLY, FLANGE	
3528	91008554	6MT9/2530-99-829-4417	BRAKE SHOE SET, INTERNALLY ACTUATED	
3529	91008555	6MT9/2530-99-837-8842	LINING, FRICTION	
3530	91008556	6MT9/5310-99-834-1922	WASHER	
3531	91008557	6MT9/2530-99-832-9198	RIVET	
3532	91008621	7BD/2520-99-824-2030	AXLE ASSEMBLY, AUTOMOTIVE, DRIVING	
3533	91008623	6MT4/5930-99-825-1092	SWITCH, TOGGLE	
3534	91008685	7BD/2530-99-827-3839	BRAKE SHOE SET, INTERNALLY ACTUATED	
3535	91008688	7BD/2530-99-828-0190	BRAKE SHOE SET, INTERNALLY ACTUATED	
3536	91008704	7BD/2530-99-825-1735	BRAKE SHOE SET, INTERNALLY ACTUATED	
3537	91008706	7BD/2530-99-827-3194	BRAKE SHOE SET, INTERNALLY ACTUATED	
3538	91008707	7BD/2530-99-827-3724	BRAKE SHOE SET, INTERNALLY ACTUATED	
3539	91008746	6MT4/2590-99-733-5462	PARTS KIT, STEERING COLUMN, SWITCH	
3540	91008768	X3/2920-99-206-019	SUNDRY PARTS KITS	
3541	91008927	6MT9/2530-99-824-1690	LOCKING SLEEVE	
3542	91008928	6MT9/2530-99-824-0563	HANDLE, SPRING BRAKE CONTROL	
3543	91008983	7BD/5330-99-827-9197	RUBBER, SPECIAL SHAPED SECTION	
3544	91008996	6MT10/2520-99-827-6845	COVER, PRIMARY SHAFT	
3545	91008997	6MT1/5330-99-806-8127	SEAL, PLAIN, ENCASED	
3546	91009010	7BD/4720-99-717-7689	TUBING, PLASTICS	
3547	91010002	6MT4/2920-99-832-7165	GENERATOR, ENGINE ACCESSORY	
3548	91010400	7BD/2530-99-825-9869	TORQUE PLATE, SHOE TYPE BRAKE	
3549	91010517	7BD/6105-99-075-0353	STRAP	
3550	91010518	7BD/6105-99-316-3188	PAD, CUSHIONING	
3551	91010532	7BD/5307-99-827-5250	STUD, PLAIN	
3552	91010736	7BD/2520-99-827-4417	HOUSING, TRACTA JOINT	
3553	91010737	7BD/2520-99-827-5435	HOUSING, TRACTA JOINT	
3554	91010774	X5/6240-99-995-1903	LAMP, FILAMENT	
3555	91010837	7BD/6140-99-763-4530	LEAD, SECONDARY BATTERY	
3556	91010898	7BD/5310-99-836-1554	NUT, PLAIN, WING	
3557	91011044	7BD/5325-99-977-0338	GROMMET, RUBBER	
3558	91011169	7BD/2910-99-829-8477	COVER, TANK UNIT	

I T E M N O	Mfr Part Number	Catalogue Number	Item Name	Remarks
3559	91011357	6MT9/2530-99-833-9938	VALVE, PRESSURE PROTECTION	
3560	91011503	7BD/2920-99-833-2629	SWITCH, LOCK, IGNITION	
3561	91011579	7BD/2990-99-827-9245	SILENCER, EXHAUST	
3562	91011665	6MT4/6625-99-794-9532	INDICATOR, BATTERY CONDITION	
3563	91011800	6MT4/2590-99-748-2480	SWITCH ASSEMBLY	
3564	91011801	7BD/2590-99-978-0451	SWITCH REAR ASSEMBLY	
3565	91011847	7BD/5310-99-277-5767	NUT	
3566	91012086	7BD/5930-99-829-7149	CABLE, BATTERY EARTH	
3567	91012142	7BD/2540-99-829-1964	CASING, FLEXIBLE SHAFT ASSEMBLY	
3568	91012769	6MT2/5120-99-942-6901	WRENCH, SOCKET	
3569	91012959	7BD/2815-99-828-5845	SHAFT, STRAIGHT	
3570	91012996	7BD/2530-99-828-5399	COVER ASSEMBLY, STEERING COLUMN	
3571	91013384	7BD/3120-99-825-1997	WASHER, THRUST	
3572	91013385	7BD/3120-99-825-8959	WASHER, THRUST	
3573	91013802	6MT12/2910-99-830-7347	NOZZLE, FUEL, PRESSURE ATOMIZING	
3574	91013947	7BD/5340-99-748-6781	CLAMP, LOOP	
3575	91014500	6MT10/3040-99-827-6832	SHAFT, SHOULDERED	
3576	91014502	6MT7/3110-99-827-6834	ROLLER ASSEMBLY, JOURNAL BEARING	
3577	91014504	6MT10/2520-99-827-6841	WASHER, BEARING THRUST	
3578	91014507	6MT10/3020-99-827-6836	SLEEVE, SLIDING GEAR	
3579	91014508	6MT1/5365-99-827-6835	RING, RETAINING	
3580	91014509	6MT10/2520-99-827-6838	DEFLECTOR, OIL	
3581	91014512	6MT10/5306-99-825-4064	BOLT, ASSEMBLED WASHER	
3582	91014513	6MT10/2520-99-827-6846	ROD, SELECTOR, GEARBOX	
3583	91014515	6MT10/2520-99-827-6844	COVER, MAINSHAFT	
3584	91014516	6MT9/3120-99-809-5780	BEARING, SLEEVE	
3585	91014575	6MT10/3020-99-827-6833	GEAR, SPUR	
3586	91014576	6MT10/3020-99-827-6837	GEAR, SPUR	
3587	91014578	6MT10/2520-99-777-4015	COVER, ACCESS, GEARBOX	
3588	91014677	6MT10/2520-99-830-6190	PARTS KIT, FRICTION CLUTCH	
3589	91014811	7BD/2815-99-829-5399	SET, PISTON RING	
3590	91014834	6MT9/5330-99-830-8038	SEAL RING, PISTON	
3591	91014839	6MT9/2530-99-830-8039	DUST AND MOISTURE SEAL	
3592	91014945	6MT9/2530-99-825-8221	PARTS KIT, VALVE ASSEMBLY	
3593	91014955	6MT9/2530-99-835-4323	PARTS KIT, PRESSURE PROTECTION VALVE	
3594	91015020	7BD/2540-99-827-1296	CLAMP ASSEMBLY, BATTERY	
3595	91015022	7BD/2540-99-829-8461	RETAINING CLAMP ASSEMBLY, BATTERY	
3596	91015404	7BD/3020-99-831-7667	GEAR, HELICAL	
3597	91015490	7BD/2930-99-812-4411	PIPE, STEEL	

I T E M N O	Mfr Part Number	Catalogue Number	Item Name	Remarks
3598	91015491	7BD/2930-99-827-6252	PIPE, STEEL	
3599	91016721	7BD/5330-99-834-0445	GASKET	
3600	91016739	7BD/2990-99-827-9243	PIPE, EXHAUST EXTENSION	
3601	91017200	7BD/2540-99-747-9637	GASKET, MIRROR MOUNTING	
3602	91017248	7BD/2930-99-827-3775	FAN ASSEMBLY	
3603	91017576	7BD/3030-99-824-5115	BELTS, V, ENDLESS, MATCHED SET	
3604	91017615	7BD/2815-99-829-5427	SHAFT, IDLER GEAR	
3605	91017717	7BD/5310-99-138-5541	FLANGED WASHER	
3606	91017749	7BD/2540-99-828-2059	BELT, AUTOMOBILE SAFETY	
3607	91017750	7BD/2540-99-828-2060	BELT, VEHICULAR SAFETY	
3608	91017785	7BD/2815-99-825-5218	COVER, ROCKER, ENGINE	
3609	91018143	7BD/5340-99-825-6557	HINGE, BUTT	
3610	91018265	7BD/2815-99-829-4623	SUMP, ENGINE	
3611	91018717	7BD/4730-99-760-7339	CLAMP, HOSE	
3612	91018740	6MT1/2540-99-828-4032	HEATER, VEHICULAR COMPARTMENT	
3613	91018741	7BD/2540-99-829-3432	HEATER, KIT VEHICULAR COMPARTMENT	
3614	91019150	7BD/2930-99-830-9593	FAN, ENGINE COOLING	
3615	91019600	7BD/2590-99-793-7794	WIRING HARNESS	
3616	91019602	7BD/6220-99-828-2002	TURNLIGHT	
3617	91019604	7BD/6220-99-765-9391	STOPLIGHT, TAILLIGHT, VEHICULAR	
3618	91019653	7BD/2990-99-828-0182	PIPE, EXHAUST	
3619	91019654	7BD/2990-99-828-0183	PIPE, EXHAUST	
3620	91019655	7BD/2990-99-828-0184	PIPE, EXHAUST	
3621	91020170	7BD/2815-99-832-6826	LINER, CYLINDER	
3622	91020377	7BD/2540-99-725-7856	LEVER AND SHAFT ASSEMBLY	
3623	91020784	7BD/2815-99-829-8236	CASING, TIMING GEAR	
3624	91020787	7BD/2815-99-834-1767	COVER, TIMING GEAR, INTERNAL COMBUSTION ENGINE	
3625	91020799	7BD/5310-99-139-0629	WASHER, TAB	
3626	91020847	7BD/5330-99-829-4619	PACKING, PREFORMED	
3627	91020921	6MT9/4310-99-829-8705	COMPRESSOR, RECIPROCATING, POWER DRIVEN	
3628	91021001	7BD/5330-99-725-5085	GASKET	
3629	91021002	6MT3/2590-99-736-4177	LENS	
3630	91021010	6MT9/4320-99-832-5163	COVER, PUMP	
3631	91021026	6MT1/2940-99-832-5196	HOUSING, MECHANICAL DRIVE	
3632	91021041	7BD/4720-99-830-9237	TUBING, PLASTICS	
3633	91021088	6MT9/2530-99-830-8040	KIT, REPAIR, FOOT VALVE	
3634	91021092	6MT4/6220-99-827-9174	CONTROL, DIRECTION SIGNAL LIGHT, AUTOMOTIVE	

I T E M N O	Mfr Part Number	Catalogue Number	Item Name	Remarks
3635	91021116	6MT9/2530-99-830-8972	CONNECTOR ASSEMBLY, HANDBRAKE ROD	
3636	91021152	6MT9/2530-99-400-7544	WHEEL KIT, REAR	
3637	91021183	7BD/3120-99-824-9960	BEARING SET, SLEEVE	
3638	91021184	7BD/3120-99-815-5808	BEARING SET, SLEEVE	
3639	91021189	7BD/3120-99-824-9959	BEARING SET, CONNECTING ROD	
3640	91021191	7BD/2805-99-895-9134	BEARING SET, CONNECTING ROD	
3641	91021193	7BD/2805-99-805-8415	BEARING SET, CONNECTING ROD	
3642	91021384	6MT10/2520-99-820-2261	PARTS KIT, UNIVERSAL JOINT	
3643	91021386	7BD/5977-99-978-2381	BRUSH HOLDER	
3644	91021393	G1/5305-99-941-3341	SCREW, CAP, HEXAGON HEAD	
3645	91021870	7BD/2530-99-829-1090	DROP ARM, STEERING	
3646	91021970	6MT4/5930-99-804-9643	SWITCH, TOGGLE	
3647	91021974	X3/2910-99-205-2270	SLEEVE, LOCKING, FUEL INJECTION PUMP	
3648	91022089	7BD/5306-99-829-8454	BOLT, U	
3649	91022172	7BD/4730-99-829-4616	PLUG, PIPE	
3650	91022348	6MT9/2530-99-829-1374	CYLINDER ASSEMBLY, HYDRAULIC BRAKE, WHEEL	
3651	91022349	6MT9/2530-99-829-3449	CYLINDER ASSEMBLY, HYDRAULIC BRAKE, WHEEL	
3652	91022355	7BD/4320-99-740-8047	SHAFT, SHOULDERED	
3653	91022356	7BD/3020-99-832-7157	GEAR ASSEMBLY, HELICAL	
3654	91022646	7BD/2590-99-827-8091	WIRING HARNESS, BRANCHED	
3655	91023014	6MT9/2530-99-825-4636	ROD INDICATOR	
3656	91023026	X3/4310-99-825-3188	PISTON, COMPRESSOR	
3657	91023031	6MT3/6220-99-783-5052	BEZEL, LENS MOUNTING	
3658	91023032	6MT3/6220-99-783-5053	LIGHT UNIT, FOG LIGHT	
3659	91023089	7BD/2815-99-829-5395	PARTS KIT, TOP OVERHAUL	
3660	91023090	7BD/2815-99-829-5396	PARTS KIT, BOTTOM OVERHAUL	
3661	91023110	6MT10/2520-99-829-5195	BREATHER	
3662	91023113	7BD/5330-99-978-2887	SEAL OIL	
3663	91023152	6MT1/5310-99-800-8847	NUT, SLEEVE	
3664	91023153	6MT4/5930-99-825-1092	SWITCH, TOGGLE	
3665	91023165	6MT3/5340-99-828-4104	KIT, SCREW	
3666	91023216	6MT3/6220-99-733-0316	LIGHT UNIT, SPOTLIGHT,	
3667	91023412	7BD/3120-99-829-5397	BEARING HALF SET, SLEEVE	
3668	91023413	7BD/3120-99-828-4466	BEARING HALF SET, SLEEVE	
3669	91023414	7BD/3120-99-829-4176	BEARING HALF SET, SLEEVE	
3670	91023462	6MT12/2910-99-828-5839	HEAD, FLUID FILTER	
3671	91023846	7BD/2540-99-829-8739	BELT, AUTOMOTIVE SAFETY	
3672	91023847	7BD/2540-99-829-8740	BELT, AUTOMOTIVE SAFETY	
3673	91023907	7BD/2540-99-764-5146	INSULATOR, PANEL	

I T E M N O	Mfr Part Number	Catalogue Number	Item Name	Remarks
3674	91024061	7BD/6220-99-783-5049	LIGHT, FOG	
3675	91024062	7BD/6220-99-839-7298	SPOTLIGHT	
3676	91024066	6MT4/5935-99-809-8706	BOX INTERVEHICLE CONNECTOR ASSEMBLY	
3677	91024345	7BD/5340-99-829-0168	INSERT, SCREW THREAD	
3678	91024410	7BD/5330-99-829-4626	GASKET	
3679	91024575	7BD/2805-99-828-2915	GASKET, ROCKER COVER	
3680	91024578	7BD/5330-99-829-0163	GASKET	
3681	91024580	7BD/5330-99-827-8761	GASKET	
3682	91024804	7BD/5340-99-734-6416	CONNECTOR, CABLE	
3683	91025198	7BD/2815-99-794-7447	COVER PLATE, ACCESS	
3684	91025261	7BD/2590-99-736-4162	CLAMP	
3685	91025369	7BD/5930-99-978-2357	REVERSE SWITCH	
3686	91025496	7BD/2510-99-828-5325	HINGE, DOOR, VEHICULAR	
3687	91025497	7BD/2510-99-828-9263	HINGE, DOOR, VEHICULAR	
3688	91025572	7BD/6680-99-828-0179	SPEEDOMETER	
3689	91025596	7BD/2920-99-828-0337	CABLE ASSEMBLY	
3690	91025700	7BD/2510-99-828-5549	HINGE, DOOR, VEHICULAR	
3691	91025701	7BD/2510-99-827-8245	HINGE, DOOR, VEHICULAR	
3692	91025778	7BD/2815-99-774-0643	COVER, TIMING GEAR, INTERNAL COMBUSTION ENGINE	
3693	91025874	7BD/2815-99-774-0643	COVER, TIMING GEAR, INTERNAL COMBUSTION ENGINE	
3694	91025896	7BD/2520-99-836-1270	COVER, CLUTCH CASING	
3695	91025976	7BD/2590-99-836-8778	RETAINER, BATTERY	
3696	91026110	7BD/5315-99-830-2471	PIN, GROOVED, HEADED	
3697	91026165	7BD/2815-99-834-1893	VALVE, POPPET, ENGINE	
3698	91026173	7BD/2590-99-752-2489	RETAINER, BATTERY	
3699	91026386	7BD/2590-99-978-1361	HOUSING, THERMOSTAT	
3700	91026481	7BD/2540-99-832-9490	EMBLEM, FRONT PANEL	
3701	91026496	7BD/2805-99-829-2112	PLUNGER, OIL RELIEF VALVE	
3702	91026497	7BD/5310-99-829-2111	THRUST WASHER, IMPELLER SPINDLE	
3703	91026514	7BD/5330-99-774-1619	GASKET	
3704	91026562	7BD/4730-99-748-0273	NUT, PLAIN, HEXAGON	
3705	91026597	7BD/2990-99-830-2474	SILENCER, EXHAUST	
3706	91026742	7BD/5330-99-830-9042	RING, SEALING TOROIDAL	
3707	91026995	7BD/5330-99-774-1623	GASKET	
3708	91027589	7BD/2930-99-774-1616	ROTOR, WATER PUMP	
3709	91027637	6MT3/6620-99-804-4296	LIGHT, PANEL	
3710	91027995	7BD/2990-99-763-5346	PIPE, OIL DRAIN	
3711	91028158	7BD/2590-99-828-6166	WIRING HARNESS, BRANCHED	
3712	91028470	7BD/2815-99-763-5349	SUMP, ENGINE	
3713	91028471	7BD/2815-99-763-5349	SUMP, ENGINE	
3714	91028622	7BD/2815-99-774-0647	COVER PLATE ACCESS	

I T E M N O	Mfr Part Number	Catalogue Number	Item Name	Remarks
3715	91028690	7BD/2990-99-763-6032	SUPERCHARGER	
3716	91028716	6MT12/2990-99-793-2021	SUPERCHARGER	
3717	91028730	7BD/5307-99-978-1121	STUD	
3718	91028839	7BD/2910-99-763-6050	PIPE ASSEMBLY, FUEL DRAIN	
3719	91028862	7BD/5310-99-827-7061	NUT, PLAIN, WING	
3720	91028921	7BD/5340-99-829-4633	CLIP, PIPE	
3721	91028922	7BD/5340-99-829-4634	CLIP, PIPE	
3722	91028925	7BD/5340-99-829-4636	RETAINER, PIPE	
3723	91028926	7BD/5340-99-829-4635	RETAINER, PIPE	
3724	91029015	7BD/6220-99-765-9392	LIGHT, CONVOY	
3725	91029019	7BD/5975-99-838-9034	JUNCTION BOX	
3726	91029032	7BD/6220-99-838-6867	LIGHT, INDICATOR	
3727	91029041	7BD/2590-99-838-6871	WIRING HARNESS	
3728	91029042	7BD/5975-99-774-8285	JUNCTION BOX	
3729	91029132	7BD/2910-99-774-2362	ELBOW, TURBO EXHAUST	
3730	91029197	7BD/5340-99-838-4821	CLAMP, LOOP	
3731	91029209	6MT12/2910-99-763-6021	NOZZLE, ASSEMBLY, FUEL, PRESSURE ATOMIZING	
3732	91029393	7BD/4720-99-763-6036	HOSE, RUBBER	
3733	91029443	7BD/2590-99-828-9685	ARM ASSEMBLY, MIRROR	
3734	91029444	7BD/2590-99-828-9686	ARM ASSEMBLY, MIRROR	
3735	91029445	6MT9/2530-99-400-6751	VALVE, CHANGEOVER, AIR PRESSURE	
3736	91029450	7BD/5330-99-763-5347	GASKET	
3737	91029451	7BD/5330-99-774-2364	GASKET	
3738	91029635	6MT1/4730-99-740-8070	ADAPTOR, ELBOW, PIPE TO HOSE	
3739	91029746	6MT1/5340-99-560-6693	INSERT, SCREW THREAD	
3740	91029748	7BD/5330-99-746-1177	GASKET	
3741	91030062	7BD/5325-99-828-9199	GROMMET, RUBBER	
3742	91030063	7BD/5330-99-763-6039	GASKET, BOOST PIPE	
3743	91030065	7BD/5330-99-763-6024	GASKET	
3744	91030067	7BD/2815-99-763-6023	MANIFOLD, INDUCTION, ENGINE	
3745	91030069	7BD/4720-99-763-6040	HOSE, RUBBER	
3746	91030447	7BD/2805-99-827-8048	CYLINDER BLOCK ASSEMBLY, GASOLINE ENGINE	
3747	91030709	7BD/4720-99-794-7463	HOSE, RUBBER	
3748	91030713	7BD/2815-99-763-6031	RING, SEALING, EXHAUST MANIFOLD	
3749	91030719	7BD/2815-99-763-6027	ELBOW, EXHAUST MANIFOLD	
3750	91030721	7BD/2815-99-763-6025	ELBOW, EXHAUST MANIFOLD	
3751	91030722	6MT1/2815-99-763-6028	GASKET, EXHAUST MANIFOLD	
3752	91030723	6MT1/2815-99-763-6029	GASKET, EXHAUST MANIFOLD	
3753	91030724	6MT1/2815-99-763-6030	GASKET, EXHAUST MANIFOLD	
3754	91030734	7BD/2815-99-763-6026	MANIFOLD, EXHAUST, ENGINE	
3755	91030750	7BD/2520-99-782-8130	CONNECTING LINK, RIGID	
3756	91031617	G1/5305-99-941-0624	SCREW, CAP, HEXAGON HEAD	

I T E M N O	Mfr Part Number	Catalogue Number	Item Name	Remarks
3757	91031688	7BD/4720-99-828-4150	HOSE, RUBBER	
3758	91031694	6MT4/5930-99-828-3775	SWITCH	
3759	91031695	7BD/5930-99-835-2645	SWITCH, LOCK, IGNITION	
3760	91031709	7BD/2520-99-828-7789	GEARBOX, MECHANICAL	
3761	91031828	6MT9/2530-99-776-5906	RESERVOIR AND CAP ASSEMBLY	
3762	91031829	6MT9/5365-99-726-7229	SPACER, RING	
3763	91031830	6MT9/5330-99-748-1394	GASKET	
3764	91031831	7BD/2530-99-213-1772	GAITER	
3765	91031838	6MT3/6210-99-827-7550	LIGHT, INDICATOR	
3766	91031840	6MT4/2920-99-830-0585	ROTOR, GENERATOR	
3767	91031854	6MT9/2530-99-837-1909	PARTS KIT, VALVE	
3768	91032020	7BD/2990-99-763-6038	PIPE, BOOST	
3769	91032154	7BD/2520-99-828-8615	CLUTCH, SLIDING SLEEVE	
3770	91032156	7BD/2520-99-828-1098	CLUTCH, THIRD AND FOURTH SPEED	
3771	91032157	7BD/2520-99-828-8616	ROD, GEARBOX	
3772	91032161	7BD/4720-99-763-6041	HOSE, PREFORMED	
3773	91032162	7BD/2910-99-725-5104	ELBOW, AIR INTAKE	
3774	91032271	6MT1/5365-99-828-8617	RING, RETAINING	
3775	91032274	7BD/6250-99-833-2623	LAMPHOLDER ASSEMBLY	
3776	91032276	7BD/2910-99-734-6420	PIPE ASSEMBLY, FUEL	
3777	91032409	7BD/2910-99-774-2361	GASKET, TURBO OUTLET	
3778	91032410	7BD/2990-99-833-3473	RING, PACKING, EXHAUST	
3779	91032456	7BD/5340-99-725-7852	CLAMP, LOOP	
3780	91032578	7BD/2910-99-829-4444	TAP, FUEL CUT OFF	
3781	91032631	7BD/2590-99-838-9032	WIRING HARNESS	
3782	91032669	6MT9/2530-99-835-6110	VALVE, ANTI-COMPOUNDING	
3783	91032735	G1/5306-99-941-1585	BOLT, MACHINE	
3784	91032750	7BD/5330-99-828-6364	GASKET AND PREFORMED PACKING SET	
3785	91032756	7BD/5330-99-829-2272	GASKET SET	
3786	91032851	6MT9/2530-99-832-2209	CONNECTOR ASSEMBLY, HANDBRAKE ROD	
3787	91032894	6MT9/2530-99-803-4810	VALVE ASSEMBLY	
3788	91032929	6MT4/6150-99-828-3927	FAN, ELECTRICAL ROTATING EQUIPMENT	
3789	91032932	6MT12/2910-99-829-5714	PARTS KIT, FUEL PUMP	
3790	91032934	X3/2910-99-204-5831	CONTROL COVER ASSEMBLY AND SLEEVE	
3791	91032994	7BD/2540-99-833-4886	LOCK ASSEMBLY	
3792	91033229	7BD/2815-99-788-7102	ENGINE, DIESEL	
3793	91033277	7BD/2510-99-830-7764	CHANNEL, DOOR GLASS	
3794	91033285	6MT12/2910-99-763-6020	PUMP, FUEL, METERING AND DISTRIBUTING	
3795	91033334	6MT9/4730-99-835-6115	INVERTED NUT, TUBE COUPLING	

I T E M N O	Mfr Part Number	Catalogue Number	Item Name	Remarks
3796	91033340	7BD/2520-99-828-4596	TRANSFER GEARBOX	
3797	91033341	7BD/2520-99-831-9042	TRANSFER GEARBOX	
3798	91033413	6MT9/2530-99-763-6034	COMPRESSOR, RECIPROCATING, POWER DRIVEN	
3799	91033445	7BD/4730-99-774-2337	TEE, PIPE	
3800	91033458	7BD/2815-99-774-2334	PIPE ASSEMBLY	
3801	91033460	7BD/2815-99-774-2335	PIPE ASSEMBLY	
3802	91033528	7BD/2815-99-774-1610	ADAPTOR, CRANKCASE	
3803	91033617	7BD/6680-99-763-5350	DIPSTICK, LIQUID QUANTITY	
3804	91033638	7BD/2920-99-835-2644	SWITCH, LOCK, IGNITION	
3805	91033746	7BD/5330-99-831-3317	SEAL, PLAIN	
3806	91033910	7BD/2530-99-834-8895	VALVE, BRAKE EXHAUST	
3807	91033996	6MT1/4820-99-805-3644	COCK, PLUG	
3808	91034139	7BD/2940-99-763-6037	ADAPTOR, PIPE, OIL FEED	
3809	91034147	7BD/2590-99-793-6230	CARRIER, SPARE WHEEL	
3810	91034148	7BD/5363-99-838-4845	PLUS, SCREWED	
3811	91034151	7BD/4720-99-763-5338	HOSE, PREFORMED	
3812	91034178	7BD/2990-99-742-7885	ADAPTOR OIL FEED	
3813	91034249	6MT9/5340-99-837-1915	TURNBUCKLE ASSEMBLY	
3814	91034254	6MT12/2910-99-763-6020	PUMP, FUEL, METERING AND DISTRIBUTING	
3815	91034303	7BD/2930-99-793-1899	COWL ASSEMBLY, RADIATOR	
3816	91034700	7BD/4730-99-774-2367	ADAPTOR, STRAIGHT, PIPE TO TUBE	
3817	91034705	7BD/5330-99-828-5327	GASKET, CYLINDER HEAD	
3818	91034709	7BD/5355-99-830-4292	KNOB	
3819	91034962	7BD/2510-99-833-6157	PILLAR, ASSEMBLY, BODY LOCK	
3820	91035007	7BD/2520-99-837-8916	DEFLECTOR, DIRT AND LIQUID	
3821	91035196	7BD/4710-99-132-0781	PIPE ASSEMBLY	
3822	91035198	7BD/2990-99-725-7851	PIPE, EXHAUST	
3823	91035199	7BD/5340-99-197-1004	BRACKET	
3824	91035201	7BD/2990-99-834-0259	BRACKET, EXHAUST	
3825	91035252	7BD/2815-99-835-4163	PIPE	
3826	91035253	7BD/4730-99-977-1620	INVERTED NUT, UNION, PIPE	
3827	91035328	7BD/6105-99-875-6512	DISTANCE PIECE	
3828	91035352	7BD/5306-99-752-2503	BOLT, EXTERNALLY RELIEVED BODY	
3829	91035364	7BD/2815-99-832-7159	ADAPTOR, ELBOW	
3830	91035366	7BD/2815-99-832-7158	PIPE, STEEL	
3831	91035370	7BD/4730-99-833-5531	NUT, UNION, PIPE	
3832	91035372	6MT9/4730-99-829-7969	SLEEVE, FLARED, PIPE	
3833	91035373	7BD/4730-99-833-5528	NUT, UNION, PIPE	
3834	91035374	6MT9/4730-99-829-7967	BARBED INSERT, HOSE COUPLING	
3835	91035375	6MT9/4730-99-829-7966	SLEEVE	

ITEM NO	Mfr Part Number	Catalogue Number	Item Name	Remarks
3836	91035429	7BD/5330-99-832-7214	GASKET	
3837	91035527	7BD/2590-99-752-2504	CABLE ASSEMBLY SPARE WHEEL	
3838	91035821	7BD/4710-99-773-3687	PIPE, STEEL	
3839	91035822	7BD/4710-99-773-3688	PIPE, STEEL	
3840	91035902	7BD/2510-99-735-1670	PANEL, FLOOR, CAB	
3841	91035903	7BD/2510-99-736-4137	PANEL LID	
3842	91036128	7BD/2815-99-762-5012	ENGINE, DIESEL	
3843	91036129	7BD/2815-99-762-5013	ENGINE, DIESEL	
3844	91036432	7BD/4730-99-382-5024	ADAPTOR, STRAIGHT, PIPE	
3845	91036940	7BD/2815-99-774-2331	PIPE, VENT	
3846	91036955	6MT9/4730-99-829-7968	NUT, UNION, HOSE	
3847	91037149	7BD/5935-99-828-9901	SOCKET, ELECTRICAL	
3848	91037257	6MT9/4730-99-829-7965	NUT, UNION, HOSE	
3849	91037261	7BD/5307-99-139-2675	STUD, PLAIN	
3850	91037280	7BD/5340-99-741-3748	RETAINER, PIPE	
3851	91037282	7BD/5340-99-741-3747	CLIP, PIPE	
3852	91037620	7BD/2930-99-781-3307	RADIATOR, ENGINE COOLANT	
3853	91037638	7BD/2530-99-829-0206	TIE ROD, STEERING	
3854	91037692	7BD/2530-99-829-0208	STEERING ARM, AXLE	
3855	91037693	7BD/2530-99-829-0209	STEERING ARM, AXLE	
3856	91037706	7BD/5307-99-829-0207	STUD, PLAIN	
3857	91037902	7BD/6350-99-829-8730	BUZZER	
3858	91037903	7BD/6350-99-829-7148	BUZZER	
3859	91037935	7BD/2590-99-793-4167	RETAINER, BATTERY	
3860	91037936	7BD/5340-99-748-2956	ROD, CLAMPING	
3861	91038848	7BD/2815-99-763-6023	MANIFOLD, INDUCTION, ENGINE	
3862	91039113	7BD/3020-99-837-6864	GEAR, ASSEMBLY, OIL PUMP IDLER	
3863	91039184	7BD/2920-99-830-2478	WIRING HARNESS	
3864	91039188	7BD/2920-99-838-0432	WIRING HARNESS	
3865	91039298	6MT9/4730-99-830-0623	ADAPTOR, TEE, PIPE	
3866	91039394	6MT4/2920-99-838-3540	GENERATOR, ENGINE ACCESSORY	
3867	91039454	7BD/2815-99-832-6837	ROCKER ARM, ENGINE POPPET VALVE	
3868	91039896	7BD/2530-99-836-0924	SHAFT, STEERING GEAR	
3869	91040215	7BD/2590-99-132-0864	SUPPORT BOX	
3870	91040219	7BD/2540-99-395-9835	FOOTPLATE	
3871	91040464	G1/5307-99-832-7225	STUD, PLAIN	
3872	91040465	G1/5307-99-832-7226	STUD, PLAIN	
3873	91040660	7BD/2520-99-791-9506	SHAFT, AXLE, AUTOMOTIVE	
3874	91040662	7BD/2520-99-763-6899	SHAFT, AXLE, AUTOMOTIVE	
3875	91040683	7BD/6140-99-783-5044	LEAD, SECONDARY BATTERY	
3876	91040684	7BD/6140-99-783-5045	LEAD, SECONDARY BATTERY	
3877	91040867	7BD/3120-99-830-7339	BEARING HALF SET, SLEEVE	
3878	91040873	6MT10/2520-99-777-4020	COVER, ACCESS, GEARBOX	

I T E M N O	Mfr Part Number	Catalogue Number	Item Name	Remarks
3879	91040903	X3/2910-99-208-2656	FILTER, FLUID, PRESSURE	
3880	91040908	6MT9/2530-99-828-5842	KIT, PUSH ROD	
3881	91040913	6MT9/2530-99-825-8541	BOOT, DUST AND MOISTURE SEAL	
3882	91040964	7BD/2510-99-829-3833	DOOR, ACCESS, VEHICULAR	
3883	91040965	7BD/2510-99-829-3834	DOOR, ACCESS, VEHICULAR	
3884	91040966	7BD/2510-99-829-3835	DOOR, ACCESS, VEHICULAR	
3885	91040967	7BD/2510-99-829-3836	DOOR, ACCESS, VEHICULAR	
3886	91040976	6MT9/2530-99-809-0664	MOULDED TUBE	
3887	91040981	6MT3/6220-99-823-9797	LENS ASSEMBLY, TURNLIGHT	
3888	91040982	6MT3/6220-99-824-7089	LENS ASSEMBLY, STOP AND TAILLIGHT	
3889	91040984	6MT9/2530-99-828-8496	VALVE ASSEMBLY, REDUCING	
3890	91040986	6MT9/2530-99-824-6196	PARTS KIT, APPORTIONING VALVE	
3891	91041025	6MT9/4310-99-762-3232	PISTON ASSEMBLY	
3892	91041088	6MT9/4710-99-834-0220	HOSE, NONMETALLIC	
3893	91041089	6MT9/4720-99-759-2896	HOSE, NONMETALLIC	
3894	91041099	6MT9/2530-99-792-9306	CAP, FILLER OPENING	
3895	91041120	6MT12/2910-99-824-9119	PARTS KIT, FUEL PUMP	
3896	91041163	X3/2910-99-762-3240	PRESSURE ADJUSTER ASSEMBLY	
3897	91041185	6MT9/2530-99-830-0828	PARTS KIT, HYDRAULIC BRAKE WHEEL CYLINDER ASSEMBLY	
3898	91041189	7BD/2540-99-828-4839	BUMPER, VEHICULAR	
3899	91041190	7BD/2540-99-828-4840	BUMPER, VEHICULAR	
3900	91041191	7BD/5330-99-830-6123	GASKET AND PREFORMED PACKING SET	
3901	91041388	7BD/4730-99-835-2637	INVERTED NUT, TUBE COUPLING	
3902	91041472	6MT10/2520-99-795-0945	PLATE, CLUTCH	
3903	91041478	X5/6240-99-995-2254	LAMP, FILAMENT	
3904	91041483	7BD/5930-99-829-7149	SWITCH ASSEMBLY	
3905	91041611	7BD/2910-99-835-1839	BRACKET, CARRIER	
3906	91041707	7BD/2590-99-828-9689	SPACER, MIRROR MOUNTING	
3907	91041725	7BD/2930-99-832-9473	PIPE, STEEL	
3908	91041744	6MT9/4730-99-837-1911	ELBOW, PIPE TO HOSE	
3909	91041787	6MT9/4730-99-832-6905	ADAPTOR, STRAIGHT, PIPE TO HOSE	
3910	91042286	7BD/2590-99-978-0255	CROSSMEMBER	
3911	91042537	6MT9/2530-99-830-6584	INFLATOR, PNEUMATIC TYRE, VEHICULAR	
3912	91042577	7BD/2530-99-834-7817	EMBLEM, STEERING WHEEL	
3913	91042595	7BD/4730-99-838-4846	INVERTED NUT, TUBE COUPLING	
3914	91042778	7BD/5340-99-747-8540	STRAP, WEBBING	
3915	91042999	7BD/4730-99-828-8114	BOLT, PIPE UNION	

I T E M N O	Mfr Part Number	Catalogue Number	Item Name	Remarks
3916	91043073	7BD/2510-99-725-8073	RETAINER, HIP RING COVER	
3917	91043503	6MT1/5330-99-838-4824	SEAL, PLAIN	
3918	91043617	7BD/5310-99-749-1076	NUT, PLAIN, CLINCH	
3919	91043622	7BD/2910-99-748-0412	LEVER ASSEMBLY, CHECK VALVE	
3920	91043750	6MT7/3110-99-806-0082	BEARING, TAPERED, ROLLER	
3921	91043837	7BD/2990-99-834-0258	PIPE, EXHAUST	
3922	91043938	7BD/5330-99-830-2531	GASKET	
3923	91043971	7BD/5307-99-785-2005	STUD, SHOULDERED AND STEPPED	
3924	91043975	7BD/2540-99-725-7857	NIPPLE, CONTROL CABLE	
3925	91044206	6MT12/2910-99-829-6647	PUMP, FUEL, METERING AND DISTRIBUTING	
3926	91044329	7BD/2520-99-775-2624	CASING ASSEMBLY, TRANSFER GEARBOX	
3927	91044523	7BD/2590-99-832-5307	WIRING HARNESS, BRANCHED	
3928	91044524	7BD/2590-99-829-1366	WIRING HARNESS, BRANCHED	
3929	91045013	7BD/2590-99-832-6901	WIRING HARNESS, BRANCHED	
3930	91045090	7BD/2990-99-763-4543	SILENCER, EXHAUST	
3931	91045178	7BD/2990-99-765-8961	PIPE, EXHAUST	
3932	91045186	7BD/4730-99-838-4844	SLEEVE, COMPRESSION, TUBE-HOSE FITTING	
3933	91045201	7BD/6220-99-765-9389	LIGHT REGISTRATION PLATE	
3934	91045203	7BD/6220-99-765-9390	STOPLIGHT, TAILLIGHT VEHICULAR	
3935	91045220	7BD/6220-99-765-9388	DIRECTIONAL LIGHT, VEHICULAR	
3936	91045230	7BD/2920-99-774-8286	WIRING HARNESS, BRANCHED	
3937	91045274	7BD/2590-99-765-9396	FILTER, RADIO INTERFERENCE	
3938	91045420	7BD/4730-99-793-2747	ADAPTOR, TEST POINT	
3939	91045452	7BD/2590-99-828-9688	GASKET, MIRROR MOUNTING	
3940	91045494	6MT3/2540-99-833-7450	MIRROR, REARVIEW	
3941	91045507	7BD/5340-99-747-8539	BUMPER, RUBBER	
3942	91045508	7BD/5330-99-749-2030	SEAL, PLASTICS STRIP	
3943	91046191	7BD/4720-99-763-6042	PIPE, STEEL	
3944	91046192	7BD/4720-99-763-6043	PIPE, STEEL	
3945	91046193	7BD/4720-99-763-6044	PIPE, STEEL	
3946	91046194	7BD/4720-99-763-6045	PIPE, STEEL	
3947	91046195	7BD/4720-99-763-6046	PIPE, STEEL	
3948	91046196	7BD/4720-99-763-6047	PIPE, STEEL	
3949	91046210	7BD/5330-99-766-7503	SEAL, NONMETALLIC SPECIAL SHAPED SECTION	
3950	91046211	7BD/5330-99-215-5782	SEAL, NONMETALLIC SPECIAL SHAPED SECTION	
3951	91046267	7BD/5340-99-832-5189	PLUG, EXPANSION	
3952	91046719	G2/4710-99-966-6622	TUBE, METALLIC	
3953	91046720	G2/4710-99-225-3837	PIPING, COPPER ALLOY	

I T E M N O	Mfr Part Number	Catalogue Number	Item Name	Remarks
3954	91046721	G2/4710-99-966-6625	TUBE, METALLIC	
3955	91046722	7BD/4710-99-832-5312	PIPING, STEEL	
3956	91046725	G2/4710-99-225-3838	PIPING, COPPER ALLOY	
3957	91046726	G2/4710-99-965-6759	PIPING, STEEL	
3958	91046727	7BD/4710-99-839-0658	PIPE, STEEL	
3959	91046730	6MT3/2540-99-728-5209	MIRROR DRUM, ASSEMBLY	
3960	91046731	7BD/5305-99-215-9367	SCREW	
3961	91046758	6MT1/6685-99-802-2908	GAUGE, PRESSURE, DIAL INDICATING	
3962	91046759	6MT9/4710-99-830-6585	PIPE, PLASTICS, SEMIRIGID	
3963	91046760	6MT9/2530-99-830-6587	PARTS KIT, TYRE INFLATOR	
3964	91046763	6MT9/2530-99-835-6112	MODIFICATION KIT, VEHICLE FIXTURE	
3965	91046767	6MT12/5330-99-829-2704	GASKET	
3966	91046768	6MT12/5330-99-829-2705	GASKET	
3967	91046771	6MT3/6220-99-827-0017	LENS, TAILLIGHT-TURNLIGHT- STOPLIGHT	
3968	91046802	X3/2815-99-209-2537	RING, SET PISTON	
3969	91047008	6MT9/5360-99-793-5733	SPRING, HELICAL, TORSION	
3970	91047110	7BD/2920-99-832-6906	WIRING HARNESS, BRANCHED	
3971	91047111	7BD/2920-99-832-6903	WIRING HARNESS, BRANCHED	
3972	91047268	7BD/2815-99-762-5020	ENGINE, DIESEL	
3973	91047293	7BD/2815-99-762-5019	ENGINE DIESEL	
3974	91047322	7BD/2520-99-763-6892	SHAFT, STRAIGHT	
3975	91047323	7BD/2520-99-763-6893	SHAFT, STRAIGHT	
3976	91047405	6MT9/2590-99-833-4645	COCK, SHUT-OFF	
3977	91047901	6MT9/2530-99-830-4413	VALVE ASSEMBLY, HAND CONTROL	
3978	91047902	6MT9/2530-99-830-4669	VALVE ASSEMBLY, HAND CONTROL	
3979	91047974	7BD/4710-99-834-1778	PIPE, STEEL	
3980	91047975	7BD/4710-99-834-8422	PIPE, STEEL	
3981	91047976	7BD/4710-99-833-4069	PIPE, STEEL	
3982	91047978	7BD/4710-99-835-5754	PIPE, STEEL	
3983	91047979	7BD/4710-99-815-8031	PIPE, STEEL	
3984	91048014	7BD/2540-99-834-0839	BELT, VEHICULAR SAFETY	
3985	91048015	7BD/2540-99-835-6118	BELT, VEHICULAR SAFETY	
3986	91048016	7BD/2540-99-781-9243	BELT, VEHICULAR SAFETY	
3987	91048265	7BD/2520-99-833-7440	TRANSFER GEARBOX	
3988	91048272	7BD/2520-99-832-6927	TRANSFER GEARBOX	
3989	91048273	7BD/2520-99-833-3560	TRANSFER GEARBOX	
3990	91048274	7BD/2520-99-833-6810	TRANSFER GEARBOX	
3991	91048296	7BD/2540-99-747-8588	ADJUSTER, INDIVIDUAL SEAT	
3992	91048297	7BD/2540-99-747-8601	ADJUSTER, INDIVIDUAL SEAT	
3993	91048359	7BD/6140-99-833-2634	LEAD, SECONDARY BATTERY	
3994	91048427	7BD/2520-99-757-4808	TRANSFER GEARBOX	
3995	91048428	7BD/2520-99-757-4809	TRANSFER GEARBOX	

I T E M N O	Mfr Part Number	Catalogue Number	Item Name	Remarks
3996	91048502	7BD/4730-99-837-4745	PLUG, PIPE	
3997	91048503	7BD/4730-99805-0627	PLUG, PIPE	
3998	91048506	7BD/3020-99-763-5341	PULLEY, GROOVE	
3999	91048526	7BD/2520-99-838-3000	AXLE ASSEMBLY, AUTOMOTIVE DRIVING	
4000	91048527	7BD/2520-99-838-3001	AXLE ASSEMBLY, AUTOMOTIVE DRIVING	
4001	91048662	6MT9/4730-99-749-1000	INSERT, FLARED, PIPE FITTING	
4002	91048663	6MT9/4730-99-747-9633	SLEEVE, FLARED, PIPE FITTING	
4003	91049064	6MT1/5330-99-817-4509	SEAL, PLAIN, ENCASED	
4004	91049153	7BD/2510-99-749-2020	COVER, ROOF, HATCH	
4005	91049178	7BD/2540-99-836-7185	EMBLEM, FRONT PANEL	
4006	91049179	7BD/2510-99-835-6116	EMBLEM, FRONT PANEL	
4007	91049256	7BD/5330-99-832-7162	GASKET	
4008	91049261	7BD/2530-99-778-6370	CASING, BRAKE EXPANDER	
4009	91049404	6MT3/6220-99-752-1833	LIGHT REGISTRATION PLATE	
4010	91049405	7BD/6220-99-829-8307	LIGHT REGISTRATION PLATE	
4011	91049412	7BD/2930-99-978-1112	WATER PUMP ASSEMBLY	
4012	91049414	7BD/3020-99-750-7040	PULLEY, GROOVE	
4013	91049458	7BD/2990-99-763-5348	PIPE, OIL DRAIN	
4014	91049480	7BD/5940-99-793-6246	FERRULE, ELECTRICAL CONDUCTOR	
4015	91049491	6MT4/5940-99-805-0380	TERMINAL, QUICK DISCONNECT	
4016	91049494	6MT4/5940-99-831-4999	TERMINAL, QUICK DISCONNECT	
4017	91049506	7BD/2930-99-763-4956	FAN, ENGINE COOLING	
4018	91049541	7BD/2520-99-778-5822	DEFLECTOR, DIRT AND LIQUID	
4019	91049568	7BD/2930-99-835-5750	PUMP ASSEMBLY, WATER	
4020	91049615	7BD/3020-99-832-6845	GEAR, HELICAL	
4021	91049616	7BD/3020-99-835-0916	GEAR, HELICAL	
4022	91049619	7BD/3020-99-832-6846	GEAR ASSEMBLY	
4023	91049622	7BD/2815-99-740-8058	TUBE, COOLANT TRANSFER	
4024	91049727	6MT9/4730-99-833-4842	COUPLING HALF, QUICK DISCONNECT	
4025	91049728	7BD/4730-99-748-1847	ADAPTER BUSHING	
4026	91049824	7BD/2930-99-930-4086	TIE ROD, RADIATOR	
4027	91049842	7BD/2930-99-781-3308	COWL ASSEMBLY, RADIATOR	
4028	91049876	7BD/5330-99-763-6902	SEAL, PLAIN, ENCASED	
4029	91049894	7BD/2530-99-833-6859	TUBE END, FRONT AXLE	
4030	91049914	7BD/6140-99-763-4531	LEAD, SECONDARY	
4031	91049915	7BD/6140-99-763-4532	LEAD, SECONDARY	
4032	91049929	7BD/5307-99-977-0106	STUD, PLAIN	
4033	91050499	6MT9/2530-99-822-1888	APPORTIONING VALVE	
4034	91050588	6MT9/2530-99-831-1616	DRAIN VALVE, BRAKE CONDENSING TANK	
4035	91050654	7BD/2815-99-773-3057	CYLINDER HEAD, DIESEL ENGINE	

I T E M N O	Mfr Part Number	Catalogue Number	Item Name	Remarks
4036	91050843	7BD/5306-99-838-4143	BOLT, EXTERNALLY RELIEVED BODY	
4037	91050844	7BD/5306-99-838-4144	BOLT, EXTERNALLY RELIEVED BODY	
4038	91051167	7BD/2510-99-725-8075	WEATHERSKIRT, CANVAS	
4039	91051253	7BD/5340-99-749-2022	STRIP, RETAINING, PLASTICS	
4040	91051268	7BD/5330-99-702-0672	SEAL, NONMETALLIC SPECIAL SHAPED SECTION	
4041	91051398	7BD/2510-99-126-2319	PANEL, BODY, VEHICULAR	
4042	91051399	7BD/2510-99-807-9017	PANEL, BODY, VEHICULAR	
4043	91051400	7BD/2510-99-522-0905	PANEL, BODY, VEHICULAR	
4044	91051401	7BD/2510-99-168-9752	PANEL, BODY, VEHICULAR	
4045	91051402	7BD/2510-99-985-1930	PANEL, BODY, VEHICULAR	
4046	91051403	7BD/2510-99-126-2320	PANEL, BODY, VEHICULAR	
4047	91051404	7BD/2510-99-662-8685	PANEL, BODY, VEHICULAR	
4048	91051405	7BD/2510-99-316-1518	PANEL, BODY, VEHICULAR	
4049	91051406	7BD/2510-99-452-1891	PANEL, BODY, VEHICULAR	
4050	91051407	7BD/2510-99-562-4120	PANEL, BODY, VEHICULAR	
4051	91051515	7BD/6220-99-836-1946	SIDELIGHT	
4052	91051609	7BD/2910-99-743-8861	LEVER, FUEL TAP ASSEMBLY	
4053	91051619	7BD/2540-99-829-7099	TRAY, BATTERY	
4054	91051620	7BD/2540-99-829-7950	HOOK ASSEMBLY, BATTERY RETAINING	
4055	91051621	7BD/2540-99-829-7951	HOOK ASSEMBLY, BATTERY RETAINING	
4056	91051622	7BD/2540-99-829-7952	COVER, BATTERY	
4057	91051623	7BD/5310-99-829-7953	WASHER, FLAT	
4058	91051642	7BD/6140-99-752-2539	LEAD, SECONDARY BATTERY	
4059	91051643	7BD/6140-99-752-2540	LEAD, SECONDARY BATTERY	
4060	91051644	7BD/2590-99-752-2541	LEAD, ELECTRICAL	
4061	91051645	7BD/2590-99-752-2542	LEAD, ELECTRICAL	
4062	91051684	7BD/5975-99-838-9018	JUNCTION BOX	
4063	91052464	7BD/5330-99-832-7181	GASKET	
4064	91052475	7BD/2520-99-787-3576	COVER, PINION HOUSING	
4065	91052505	7BD/5306-99-748-2954	BOLT, SQUARE NECK	
4066	91052637	6MT1/5330-99-763-6901	RING, SEALING, TOROIDAL	
4067	91052664	7BD/5330-99-838-7127	SEAL, PLAIN, ENCASED	
4068	91052674	7BD/5330-99-836-1510	GASKET	
4069	91052766	7BD/3120-99-301-5301	BEARING, SLEEVE	
4070	91053001	6MT12/5330-99-829-0014	SEAL, PLAIN	
4071	91053003	6MT4/2540-99-832-9494	IMPELLER, FAN, AXIAL	
4072	91053026	6MT6/4720-99-824-1309	HOSE, RUBBER	
4073	91053205	6MT4/6220-99-838-3118	CASING ASSEMBLY, SWITCH UNIT	
4074	91053399	7BD/5330-99-827-0304	GASKET SET	
4075	91053454	7BD/2930-99-838-4826	PARTS KIT, ENGINE COOLANT PUMP	

I T E M N O	Mfr Part Number	Catalogue Number	Item Name	Remarks
4076	91053468	7BD/2930-99-838-4743	BEARING HALF SET, SLEEVE	
4077	91053469	7BD/3120-99-838-4744	BEARING HALF SET, SLEEVE	
4078	91053470	7BD/3120-99-838-4745	BEARING HALF SET, SLEEVE	
4079	91053717	7BD/2910-99-748-0399	SLEEVE, REINFORCING	
4080	91053757	7BD/2530-99-301-5039	STEERING, COLUMN	
4081	91053782	6MT9/4730-99-797-1845	ADAPTOR, ELBOW, PIPE	
4082	91053919	7BD/2815-99-832-6834	VALVE, POPPET ENGINE	
4083	91053968	7BD/5307-99-744-4693	STUD, PLAIN	
4084	91054033	7BD/5330-99-763-4552	SEAL, PLAIN, ENCASED	
4085	91054053	6MT12/2910-99-776-8017	PUMP, FUEL, METERING AND DISTRIBUTING	
4086	91054171	6MT3/2540-99-725-8077	BLADE, WINDSCREEN WIPER	
4087	91054365	7BD/5340-99-838-3117	STRAP, LINE SUPPORTING	
4088	91054479	7BD/2540-99-004-1267	MOULDING	
4089	91054700	7BD/4730-99-838-4136	REDUCER, PIPE	
4090	91054734	7BD/2590-99-749-6573	PLATE ASSEMBLY, SPARE WHEEL CARRIER	
4091	91054943	7BD/4730-99-746-1180	REDUCER, TUBE	
4092	91055063	7BD/5330-99-763-6903	SEAL, PLAIN, ENCASED	
4093	91055129	7BD/6680-99-837-8915	SHAFT ASSEMBLY, FLEXIBLE	
4094	91055144	7BD/2930-99-792-5625	TANK, COOLANT, VEHICULAR	
4095	91055174	7BD/4720-99-741-3762	HOSE, PREFORMED	
4096	91055175	7BD/4720-99-741-3760	HOSE, PREFORMED	
4097	91055178	7BD/2815-99-773-3720	ADAPTOR, INDUCTION MANIFOLD	
4098	91055496	7BD/2510-99-052-4781	HINGE, DOOR, VEHICULAR	
4099	91055497	7BD/2510-99-807-8825	HINGE, DOOR, VEHICULAR	
4100	91055498	7BD/2510-99-349-6798	HINGE, DOOR, VEHICULAR	
4101	91056128	7BD/2815-99-832-7176	MANIFOLD, INDUCTION, ENGINE	
4102	91056138	7BD/5330-99-832-9292	GASKET	
4103	91056143	7BD/4710-99-321-5157	PIPE, STEEL	
4104	91056150	7BD/4720-99-835-6868	HOSE, PREFORMED	
4105	91056214	7BD/4720-99-075-0332	HOSE, PREFORMED	
4106	91056277	7BD/2530-99-835-8216	BRAKE DRUM	
4107	91056326	7BD/2520-99-836-9717	AXLE ASSEMBLY, AUTOMOTIVE DRIVING	
4108	91056327	7BD/2520-99-836-9727	AXLE ASSEMBLY, AUTOMOTIVE DRIVING	
4109	91056328	7BD/2520-99-836-0927	AXLE ASSEMBLY, AUTOMOTIVE DRIVING	
4110	91056329	7BD/2520-99-836-0922	AXLE ASSEMBLY, AUTOMOTIVE DRIVING	
4111	91056334	7BD/5330-99-832-7177	GASKET	
4112	91056336	7BD/6685-99-835-0576	GAUGE, PRESSURE, DIAL INDICATING	
4113	91057066	7BD/4710-99-009-0117	PIPE, STEEL	

I T E M N O	Mfr Part Number	Catalogue Number	Item Name	Remarks
4114	91057235	7BD/2540-99-825-5665	BRACKET ASSEMBLY, BUMPER	
4115	91057330	7BD/2510-99-940-5814	PANEL, BODY, VEHICULAR	
4116	91057331	7BD/2510-99-500-3892	PANEL, BODY, VEHICULAR	
4117	91057350	7BD/5340-99-911-6029	DOOR, ACCESS	
4118	91057351	7BD/5340-99-257-9563	DOOR, ACCESS	
4119	91057356	7BD/2510-99-215-5783	PANEL, BODY, VEHICULAR	
4120	91057357	7BD/2510-99-028-4922	PANEL, BODY, VEHICULAR	
4121	91057363	7BD/5340-99-957-4060	HINGE, ACCESS DOOR	
4122	91057386	7BD/2540-99-884-6319	HANDLE, DOOR, VEHICULAR	
4123	91057504	6MT9/4730-99-798-0175	ADAPTOR, CROSS, PIPE	
4124	91057505	6MT9/4730-99-818-7454	ADAPTOR, ELBOW, PIPE	
4125	91057506	7BD/4730-99-793-2742	ADAPTOR, TEE, PIPE	
4126	91057507	6MT9/4730-99-793-2744	ADAPTOR, TEE, PIPE	
4127	91057512	6MT9/2580-99-752-2565	TANK, PRESSURE	
4128	91057518	7BD/2815-99-760-7711	BRACKET, OIL PUMP SUCTION PIPE	
4129	91057624	7BD/4730-99-793-2751	ADAPTOR ELBOW RESTRICTOR	
4130	91057648	7BD/5365-99-835-0335	SPACER, PLATE	
4131	91057649	7BD/5365-99-835-0334	SPACER, PLATE	
4132	91057650	7BD/5365-99-835-0333	SPACER, PLATE	
4133	91057651	7BD/5365-99-835-0332	SPACER, PLATE	
4134	91057652	7BD/5365-99-834-8199	SPACER, PLATE	
4135	91057653	7BD/5365-99-836-1258	SPACER, PLATE	
4136	91057703	7BD/2910-99-748-0411	VALE, CHECK	
4137	91057735	7BD/5330-99-774-2357	PACKING, PREFORMED	
4138	91057776	7BD/2910-99-837-8841	CABLE, CONTROL	
4139	91059382	7BD/2540-99-807-8826	CHANNEL	
4140	91059674	6MT1/4730-99-200-9136	LUBRICATING NIPPLE	
4141	91060001	6MT1/5315-99-400-0496	KEY, WOODRUFF	
4142	91060068	X3/2990-99-202-8504	GASKET	
4143	91060070	6MT12/2990-99-767-1801	GASKET	
4144	91061074	7BD/2815-99-817-8983	GASKET, FLANGE	
4145	91061082	7BD/2590-99-746-1637	CONVERTER ASSEMBLY, SPEED	
4146	91061788	7BD/2540-99-374-7305	CHANNEL	
4147	91062063	7BD/4820-99-838-0370	VALVE, SAFETY-RELIEF	
4148	91062163	6MT12/5360-99-710-2082	SPRING, HELICAL, COMPRESSION	
4149	91062199	6MT10/4730-99-809-7226	PLUG, PIPE	
4150	91062305	6MT9/2530-99-817-3876	VALVE, RELAY, AIR PRESSURE	
4151	91062387	6MT9/5330-99-809-0665	GASKET	
4152	91062388	6MT9/5365-99-809-0663	RING, RETAINING	
4153	91062392	6MT9/2530-99-804-9865	VALVE, CHECK	
4154	91062563	7BD/5930-99-833-6831	SWITCH, LOCK, IGNITION	
4155	91062567	7BD/2920-99-835-0918	SWITCH	
4156	91062570	7BD/2920-99-837-6888	SWITCH, LOCK, IGNITION	

I T E M N O	Mfr Part Number	Catalogue Number	Item Name	Remarks
4157	91062576	X3/2910-99-203-6513	SLEEVE, REGULATING FUEL PUMP	
4158	91062969	7BD/2910-99-837-8840	CONTROL ASSEMBLY, PUSH-PULL	
4159	91062970	7BD/2990-99-835-8215	STOP CONTROL, ASSEMBLY	
4160	91063068	7BD/6220-99-752-2618	LIGHT, REGISTRATION PLATE	
4161	91063138	7BD/5330-99-838-4142	PACKING MATERIAL	
4162	91063158	7BD/4730-99-765-9361	ADAPTOR, STRAIGHT, PIPE	
4163	91063159	7BD/5360-99-833-6832	SPRING, HELICAL, COMPRESSION	
4164	91063198	7BD/5930-99-793-4169	SWITCH, PRESSURE	
4165	91063724	7BD/2590-99-786-9442	ROOF PLATFORM	
4166	91063790	7BD/5340-99-372-4307	BRACKET	
4167	91063791	7BD/5340-99-306-4167	BRACKET	
4168	91064258	7BD/2540-99-836-6685	HANDLE, DOOR	
4169	91064259	7BD/2540-99-836-6686	HANDLE, DOOR	
4170	91064281	7BD/2540-99-749-2056	HANDLE, WINDOW REGULATOR	
4171	91064380	7BD/2540-99-500-3889	ARM, REARVIEW MIRROR	
4172	91064381	7BD/2540-99-147-2506	ARM, REARVIEW MIRROR	
4173	91064488	7BD/5330-99-968-1671	SEAL, NONMETALLIC SPECIAL SHAPED SECTION	
4174	91064489	7BD/5330-99-219-3079	SEAL, NONMETALLIC SPECIAL SHAPED SECTION	
4175	91064591	7BD/5310-99-756-8601	WASHER, FLAT	
4176	91064592	7BD/5310-99-757-2285	WASHER, FLAT	
4177	91064608	7BD/5310-99-838-4588	WASHER, FLAT	
4178	91064676	7BD/2510-99-132-0787	CHASSIS	
4179	91064681	6MT1/4730-99-831-9967	SLEEVE, COMPRESSION, TUBE-HOSE FITTING	
4180	91064682	6MT1/4730-99-835-0703	INVERTED NUT, TUBE COUPLING	
4181	91064748	7BD/5330-99-838-4847	SLEEVE, COMPRESSION, TUBE HOSE FITTING	
4182	91064851	7BD/2590-99-781-8273	WIRING HARNESS	
4183	91065003	7BD/6105-99-734-6415	MOTOR ASSEMBLY	
4184	91065006	7BD/2990-99-806-2926	MOTOR ASSEMBLY, ENGINE STOP CONTROL	
4185	91065032	7BD/2920-99-978-0156	WIRING HARNESS	
4186	91065033	7BD/2590-99-795-5115	WIRING HARNESS, BRANCHED	
4187	91065074	7BD/2815-99-838-4751	ROTATOR, EXHAUST VALVE	
4188	91065128	7BD/2510-99-775-0650	TRAY, BATTERY	
4189	91065130	7BD/2590-99-778-0178	HANGER ASSEMBLY, BATTERY	
4190	91065133	7BD/2510-99-739-6120	CARRIER, BATTERY	
4191	91065162	7BD/6210-99-836-1949	LIGHT, PANEL	
4192	91065186	6MT7/3110-99-763-6900	BEARING, TAPERED, ROLLER	
4193	91065314	7BD/5330-99-777-5446	GASKET	
4194	91065315	7BD/5330-99-838-4754	GASKET	

I T E M N O	Mfr Part Number	Catalogue Number	Item Name	Remarks
4195	91065318	7BD/5360-99-836-1394	SPRING, HELICAL, COMPRESSION	
4196	91065344	7BD/2590-99-793-4168	COVER, BATTERY CARRIER	
4197	91065347	7BD/2815-99-740-8057	TUBE, COOLANT TRANSFER	
4198	91065359	7BD/2520-99-744-6320	GEAR AND SHAFT ASSEMBLY, SPUR	
4199	91065362	7BD/2520-99-767-6203	SHAFT, DRIVE, FLEXIBLE	
4200	91065405	7BD/2590-99-752-2622	CHANNEL, BATTERY HANGER	
4201	91065473	7BD/4730-99-838-4848	SLEEVE, COMPRESSION, PIPE- HOSE FITTING	
4202	91065474	7BD/2815-99-773-9453	BOLT, MACHINE	
4203	91065505	7BD/2510-99-874-0726	GLASS, DOOR DROP LIGHT	
4204	91065506	7BD/2510-99-836-1284	WINDOW PANEL, VEHICULAR	
4205	91065507	7BD/2510-99-744-9225	WINDOW PANEL, VEHICULAR	
4206	91065508	7BD/2510-99-838-4805	GLASS, QUARTERLIGHT	
4207	91065510	7BD/2510-99-836-0923	WINDSCREEN, VEHICULAR	
4208	91065670	7BD/2815-99-740-8054	PIPE, SUCTION, OIL PUMP	
4209	91065704	7BD/2815-99-795-6887	CYLINDER HEAD, DIESEL ENGINE	
4210	91065781	KG/5340-99-136-6205	STRAP, LINE SUPPORTING	
4211	91065782	6MT1/5340-99-957-3352	STRAP, LINE SUPPORTING	
4212	91065790	7BD/2930-99-744-8434	SWITCH, FLOAT, LIQUID LEVEL	
4213	91065836	7BD/2510-99-838-4157	QUARTERLIGHT, VEHICULAR	
4214	91065837	7BD/2510-99-839-0470	QUARTERLIGHT, VEHICULAR	
4215	91066032	7BD/5340-99-940-5813	ESCUTCHEON PLATE	
4216	91066033	7BD/5340-99-398-0827	ESCUTCHEON PLATE	
4217	91066526	7BD/5310-99-838-4746	WASHER, FLAT	
4218	91066665	6MT3/2540-99-833-5964	BLADE, WINDSCREEN WIPER	
4219	91066682	7BD/2590-99-710-3775	WIRING HARNESS, BRANCHED	
4220	91066753	7BD/5315-99-428-5094	PIN, SHOULDER, HEADED	
4221	91066933	7BD/6220-99-752-2627	HEADLIGHT	
4222	91066934	7BD/6220-99-752-2628	HEADLIGHT	
4223	91067006	6MT9/2530-99-752-2629	ACTUATOR ASSEMBLY	
4224	91067007	6MT9/2530-99-752-2630	PARTS KIT, ACTUATOR	
4225	91067009	6MT9/2530-99-763-4545	CYLINDER ASSEMBLY, HYDRAULIC BRAKE, MASTER	
4226	91067013	6MT9/2530-99-752-2631	CYLINDER ASSEMBLY, TANDEM BRAKE	
4227	91067015	6MT3/6220-99-401-3961	LAMP FLASHER	
4228	91067021	7BD/2590-99-732-9751	BRACKET	
4229	91067023	7BD/5310-99-978-0541	NUT	
4230	91067024	G1/5305-99-977-5948	SCREW, SELF-LOCKING	
4231	91067203	6MT3/2530-99-837-1914	FILTER ELEMENT, FLUID, PRESSURE	
4232	91067204	7FN/4730-99-833-5541	UNION, PIPE	
4233	91067206	6MT9/5330-99-537-8401	RING, SEALING, TOROIDAL	

ITEM NO	Mfr Part Number	Catalogue Number	Item Name	Remarks
4234	91067251	6MT4/2540-99-835-2646	COVER, SWITCH UNIT ASSEMBLY	
4235	91067297	7BD/3120-99-777-2959	BEARING HALF SET, SLEEVE	
4236	91067496	6MT9/2530-99-833-1636	CYLINDER ASSEMBLY, HYDRAULIC BRAKE, WHEEL	
4237	91067600	Z42/5975-00-111-3208	STRAP, TIEDOWN, ELECTRICAL COMPONENTS	
4238	91067634	7BD/5930-99-215-9891	SWITCH, TOGGLE	
4239	91067768	6MT4/5340-99-742-6346	STRAP, LINE SUPPORTING	
4240	91067822	7BD/2910-99-793-1504	PIPE, FILLER ASSEMBLY	
4241	91067859	7BD/6210-99-835-0922	LIGHT, INDICATOR	
4242	91067931	7BD/6210-99-833-7775	LIGHT, INDICATOR	
4243	91067932	7BD/6210-99-834-1777	LIGHT, INDICATOR	
4244	91068030	7BD/2815-99-773-3697	MANIFOLD, EXHAUST, ENGINE	
4245	91068041	7BD/3020-99-774-0642	GEAR, HELICAL	
4246	91068042	7BD/3020-99-774-0639	GEAR, HELICAL	
4247	91068046	7BD/3020-99-794-5315	GEAR, HELICAL	
4248	91068193	6MT4/5920-99-793-4147	FUSEHOLDER	
4249	91068196	6MT4/5920-99-793-4147	FUSEHOLDER	
4250	91068472	7BD/2520-99-740-5225	COVER PLATE, ACCESS	
4251	91068474	7BD/2520-99-767-9750	COVER PLATE, ACCESS	
4252	91068479	7BD/5330-99-763-6898	GASKET	
4253	91068480	7BD/5330-99-763-6889	GASKET	
4254	91068492	7BD/2815-99-836-1292	VALVE, POPPET, ENGINE	
4255	91068506	7BD/3120-99-836-1396	WASHER HALT, THRUST	
4256	91068507	7BD/3120-99-836-1397	WASHER HALT, THRUST	
4257	91068508	7BD/3120-99-838-4139	WASHER HALT, THRUST	
4258	91068509	7BD/3120-99-838-4140	WASHER HALT, THRUST	
4259	91068510	7BD/3120-99-838-4141	WASHER HALT, THRUST	
4260	91068608	7BD/2590-99-749-1060	PANEL, CONTROL	
4261	91068909	G1/5330-12-124-4380	GASKET	
4262	91068910	8REAT/2590-99-825-2031	VALVE, SHUT-OFF	
4263	91068912	7BD/2590-99-752-2642	HOSE ASSEMBLY, VALVE TO PUMP	
4264	91068913	7BD/4730-99-752-2643	ADAPTOR BUSHING	
4265	91068948	7BD/5365-99-409-2548	SPACER, SLEEVE	
4266	91069670	7BD/2920-99-748-2280	PLUG, HEATER	
4267	91069748	6MT7/3110-99-763-6868	BEARING, TAPERED, ROLLER	
4268	91069907	7BD/5307-99-773-3056	STUD	
4269	91070019	7BD/4730-99-786-1913	SLEEVE, COMPRESSION, PIPE- HOSE FITTING	
4270	91070037	7BD/4730-99-786-1912	SLEEVE, COMPRESSION, PIPE- HOSE FITTING	
4271	91070449	G1/5306-99-941-7036	BOLT, MACHINE	
4272	91070507	7BD/5330-99-838-8802	GASKET	
4273	91070508	7BD/5330-99-743-8362	GASKET, COVER TAPPET	

I T E M N O	Mfr Part Number	Catalogue Number	Item Name	Remarks
4274	91070509	6MT9/4310-99-777-5071	COMPRESSOR, RECIPROCATING, POWER DRIVEN	
4275	91070516	6MT9/2530-99-763-6035	COMPRESSOR, RECIPROCATING, POWER DRIVEN	
4276	91070728	7BD/6105-99-350-5229	COVER, STOP CONTROL MOTOR	
4277	91070780	7BD/4730-99-793-4289	ADAPTOR, STRAIGHT, PIPE	
4278	91070784	7BD/2910-99-774-2352	PIPE ASSEMBLY	
4279	91070787	7BD/2910-99-774-2354	PIPE, STEEL	
4280	91070788	7BD/5340-99-535-4418	BRACKET, ENGINE ACCESSORY	
4281	91071009	6MT4/2920-99-836-1922	PLUG ASSEMBLY, IGNITER	
4282	91071070	7BD/2520-99-787-3575	DRUM AND FLANGE, REAR AXLE	
4283	91071550	6MT3/6220-99-828-6035	LENS, SIDELIGHT	
4284	91071552	6MT12/2910-99-762-3241	CAM RING, LONG DWELL, FINAL STAGE	
4285	91071576	6MT3/6220-99-803-3714	LENS AND LIGHT SHIELD ASSEMBLY	
4286	91071629	7BD/3120-99-764-5147	BEARING HALF SET, SLEEVE	
4287	91071630	7BD/3120-99-764-5148	BEARING HALF SET, SLEEVE	
4288	91071633	6MT3/2540-99-760-3265	INSERT, WINDSCREEN WIPER BLADE	
4289	91072527	7BD/2910-99-725-5023	PIPE, VENT, FUEL	
4290	91072556	7BD/2530-99-834-7816	STEERING WHEEL	
4291	91072561	7BD/4710-99-798-2835	PIPE, STEEL	
4292	91072644	7BD/6220-99-765-8963	LIGHT, FOG, REAR	
4293	91072646	7BD/6220-99-838-6816	LIGHT, FOG	
4294	91072930	7BD/2530-99-834-7816	STEERING WHEEL	
4295	91072962	7BD/2910-99-734-6414	SOCKET ASSEMBLY, BALL JOINT	
4296	91073032	6MT10/2520-99-792-8440	PLATE, PRESSURE, FRICTION JOINT	
4297	91073088	7BD/5310-99-775-2332	NUT, RETAINER	
4298	91073116	6MT1/4730-99-725-8767	NUT, UNION, PIPE	
4299	91073117	6MT1/4730-99-803-4467	TAIL-END, HOSE	
4300	91073210	7BD/2815-99-759-1127	COVER PLATE, ACCESS	
4301	91073654	7BD/2910-99-734-6419	PIPE ASSEMBLY, FUEL	
4302	91073662	7BD/6680-99-761-2062	DIPSTICK, OIL	
4303	91073686	7BD/6680-99-761-2063	DIPSTICK, TUBE	
4304	91073829	7BD/3030-99-838-4899	BELTS, V, ENDLESS, MATCHED SET	
4305	91074097	7BD/4730-99-797-8627	ADAPTOR, ELBOW, PIPE	
4306	91074153	7BD/2815-99-740-8045	CONNECTING ROD, PISTON	

I T E M N O	Mfr Part Number	Catalogue Number	Item Name	Remarks
4307	91074178	7BD/2815-99-794-7446	DAMPER ASSEMBLY, CRANKSHAFT	
4308	91074223	7BD/5310-99-767-9934	FLANGE, COMPANION, UNIVERSAL JOINT	
4309	91074231	7BD/2815-99-794-7457	PUMP, CENTRIFUGAL	
4310	91074243	7BD/5935-99-356-7026	SOCKET	
4311	91074354	7BD/2510-99-832-2692	PANEL, BODY, VEHICULAR	
4312	91074355	7BD/2510-99-807-8849	PANEL, BODY, VEHICULAR	
4313	91074747	7BD/3020-99-774-6339	PULLEY, GROOVE	
4314	91074748	7BD/2930-99-763-5342	PUMP, CENTRIFUGAL	
4315	91074854	7BD/2910-99-795-0949	HEADER TANK, THERMOSTAT	
4316	91074878	7BD/2540-99-752-2667	BRACKET, PASSENGER SEAT	
4317	91074886	7BD/2540-99-752-2525	BELT, VEHICULAR SAFETY	
4318	91074909	7BD/5365-99-763-6870	SHIM	
4319	91074910	7BD/5365-99-763-6871	SHIM	
4320	91074911	7BD/5365-99-763-6872	SHIM	
4321	91074912	7BD/3120-99-763-6873	WASHER, THRUST	
4322	91074913	7BD/3120-99-763-6874	WASHER, THRUST	
4323	91074914	7BD/3120-99-763-6875	WASHER, THRUST	
4324	91074915	7BD/3120-99-763-6876	WASHER, THRUST	
4325	91074916	7BD/3120-99-763-6877	WASHER, THRUST	
4326	91074917	7BD/3120-99-763-6878	WASHER, THRUST	
4327	91074918	7BD/3120-99-763-6879	WASHER, THRUST	
4328	91074919	7BD/3120-99-763-6880	WASHER, THRUST	
4329	91074920	7BD/3120-99-763-6881	WASHER, THRUST	
4330	91074921	7BD/3120-99-763-6882	WASHER, THRUST	
4331	91074922	7BD/3120-99-763-6883	WASHER, THRUST	
4332	91074923	7BD/3120-99-763-6884	WASHER, THRUST	
4333	91074924	7BD/3120-99-763-6885	WASHER, THRUST	
4334	91074925	7BD/3120-99-763-6886	WASHER, THRUST	
4335	91074926	7BD/3120-99-763-6887	WASHER, THRUST	
4336	91074927	7BD/3120-99-763-6888	WASHER, THRUST	
4337	91075323	7BD/2940-99-214-7363	NUT AND GASKET ASSEMBLY	
4338	91075418	7BD/2590-99-791-4321	BRACKET, HORN	
4339	91075505	6MT3/6220-99-814-0339	LIGHT, REGISTRATION PLATE	
4340	91075507	7BD/2590-99-978-0244	BRACKET, MIRROR ARM	
4341	91075516	6MT1/5365-99-428-0236	RING, RETAINING	
4342	91075519	G1/5305-99-135-0441	SCREW, MACHINE	
4343	91075521	G1/5305-99-135-0444	SCREW, MACHINE	
4344	91075539	7BD/5330-99-781-1500	GASKET SET	
4345	91075540	7BD/2815-99-745-1443	PARTS KIT, ENGINE OVERHAUL	
4346	91075541	7BD/2815-99-740-8038	PISTON, INTERNAL COMBUSTION ENGINE	
4347	91075543	7BD/2815-99-741-3719	PISTON, INTERNAL COMBUSTION ENGINE	
4348	91075544	7BD/2815-99-740-8039	PISTON, INTERNAL COMBUSTION ENGINE	

I T E M N O	Mfr Part Number	Catalogue Number	Item Name	Remarks
4349	91075545	7BD/2815-99-740-8040	PISTON, INTERNAL COMBUSTION ENGINE	
4350	91075547	7BD/2805-99-978-0212	PISTON ASSEMBLY	
4351	91075548	7BD/2815-99-740-8041	PISTON, INTERNAL COMBUSTION ENGINE	
4352	91075549	7BD/2815-99-740-8042	PISTON, INTERNAL COMBUSTION ENGINE	
4353	91075551	7BD/2815-99-741-3720	PISTON, INTERNAL COMBUSTION ENGINE	
4354	91075552	7BD/2815-99-740-8043	PISTON, INTERNAL COMBUSTION ENGINE	
4355	91075553	7BD/2815-99-838-4170	SET, PISTON RING	
4356	91075555	7BD/2815-99-838-4178	SET, PISTON RING	
4357	91075558	7BD/2815-99-838-4173	PARTS KIT, TOP OVERHAUL	
4358	91075562	7BD/2815-99-838-4171	PISTON PIN AND RING SET	
4359	91075587	6MT9/2530-99-781-5367	PARTS KIT, DRAIN VALVE	
4360	91075588	6MT4/2590-99-748-2473	SWITCH ASSEMBLY	
4361	91075589	6MT4/2590-99-748-2474	SWITCH ASSEMBLY	
4362	91075809	7BD/5310-99-767-9935	NUT, SELF-LOCKING, HEXAGON	
4363	91075855	7BD/5935-99-800-5006	CONNECTOR, FREE, ELECTRICAL	
4364	91075953	7BD/4730-99-517-2244	ELBOW, PIPE	
4365	91076298	7BD/2815-99-773-3059	COVER, ROCKER, ENGINE	
4366	91076492	7BD/9320-99-282-3341	RUBBER CHANNEL	
4367	91076681	7BD/4710-99-837-8921	PIPE, PLASTICS, SEMIRIGID	
4368	91076757	7BD/4710-99-775-2828	HEADER TANK THERMOSTAT	
4369	91076853	6MT10/2520-99-792-8420	PLATE CLUTCH	
4370	91077098	7BD/2520-99-763-6328	GEAR SET, BEVEL, MATCHED	
4371	91077118	7BD/2590-99-978-1356	DRUM AND FLANGE	
4372	91077163	7BD/2520-99-763-6857	GEAR SET, BEVEL, MATCHED	
4373	91077165	7BD/2520-99-767-9933	COVER, PINION HOUSING	
4374	91077309	6MT9/2530-99-836-6671	VALVE, PRESSURE PROTECTION	
4375	91077738	7BD/2540-99-441-8321	CHANNEL	
4376	91077786	7BD/2530-99-763-4454	HUB, REAR AXLE	
4377	91077787	7BD/2530-99-763-4454	HUB, REAR AXLE	
4378	91077789	7BD/2530-99-791-9507	HUB WHEEL	
4379	91077950	7BD/6350-99-748-2455	BUZZER	
4380	91078021	7BD/5306-99-788-1614	BOLT	
4381	91078022	7BD/5307-99-788-1610	STUD	
4382	91078023	7BD/2530-99-761-7057	DEFLECTOR, DIRT AND LIQUID	
4383	91078024	7BD/2520-99-767-8820	HOUSING, MECHANICAL DRIVE	
4384	91078025	7BD/2520-99-767-9747	HOUSING, MECHANICAL DRIVE	
4385	91078111	7BD/3030-99-763-5343	BELTS, V, ENDLESS, MATCHED SET	
4386	91078442	7BD/2520-99-340-2452	BOOT, DUST AND MOISTURE SEAL	

I T E M N O	Mfr Part Number	Catalogue Number	Item Name	Remarks
4387	91078468	7BD/4720-99-740-8071	HOSE, RUBBER	
4388	91078624	7BD/4710-99-513-2155	PIPE, STEEL	
4389	91078801	7BD/2805-99-838-4747	TAPPET, ENGINE POPPET VALVE	
4390	91079132	7BD/5930-99-836-3332	SWITCH PRESSURE	
4391	91079326	7BD/2815-99-741-3731	COVER PLATE, ACCESS	
4392	91079377	7BD/6220-99-836-1948	LIGHT, REGISTRATION PLATE	
4393	91079417	7BD/6105-99-168-4681	NIPPLE, STOP CONTROL ROD	
4394	91079679	7BD/5307-99-734-6413	STUD, BALL	
4395	91079708	7BD/3110-99-755-7767	PLATE, RETAINING, BEARING	
4396	91079709	7BD/5330-99-748-1716	GASKET	
4397	91079715	6MT12/2910-99-773-3706	NOZZLE ASSEMBLY, FUEL, PRESSURE ATOMIZING	
4398	91079783	7BD/2815-99-839-2767	GASKET, CYLINDER HEAD	
4399	91079846	7BD/5330-99-773-3055	GASKET	
4400	91079940	7BD/5325-99-813-6299	FASTENER, SPRING TENSION, TRIM	
4401	91081306	7BD/2510-99-793-6231	CHANNEL ASSEMBLY	
4402	91081330	7BD/5330-99-352-6975	SEAL, NONMETALLIC SPECIAL SHAPED SECTION	
4403	91081419	7BD/5340-99-467-1161	CLIP, SPRING TENSION	
4404	91081600	7BD/6105-99-367-1638	BRUSH, SWITCH AND CABLE	
4405	91081612	6MT3/6220-99-828-2359	LENS, DIRECTION INDICATOR	
4406	91081614	6MT3/6220-99-827-0018	LENS, TAILLIGHT-TURNLIGHT- STOPLIGHT	
4407	91081662	7BD/6105-99-321-5160	ARMATURE, MOTOR	
4408	91081739	6MT4/6220-99-756-6605	CONTROL, DIRECTIONAL SIGNAL LIGHT, AUTOMOTIVE	
4409	91081896	7BD/2590-99-763-4538	WIRING HARNESS, BRANCHED	
4410	91081897	7BD/2590-99-763-4535	WIRING HARNESS	
4411	91081914	7BD/5930-99-763-4527	SWITCH PUSH-PULL	
4412	91081972	7BD/5330-99-740-8056	PACKING, PREFORMED	
4413	91082003	7BD/2815-99-838-4760	SEAT, VALVE	
4414	91082004	7BD/2815-99-838-4901	SEAT, VALVE	
4415	91082166	7BD/5306-99-763-8456	BOLT, EXTERNALLY RELIEVED BODY	
4416	91082239	7BD/2590-99-734-5713	CONTROL ASSEMBLY, IDLING	
4417	91082406	7BD/2910-99-732-7012	CAP, FILLER OPENING	
4418	91082421	7BD/2805-99-838-6364	GASKET, ROCKER COVER	
4419	91082422	7BD/2805-99-744-6296	GASKET, ROCKET COVER	
4420	91082583	7BD/4730-99-762-8212	PLUG, PIPE	
4421	91082612	7BD/2530-99-768-0168	BACKPLATE, SHOE TYPE BRAKE	
4422	91082613	7BD/2530-99-768-0169	BACKPLATE, SHOE TYPE BRAKE	
4423	91082704	6MT9/2530-99-757-4917	PARTS KIT, PRESSURE PROTECTION VALVE	

I T E M N O	Mfr Part Number	Catalogue Number	Item Name	Remarks
4424	91082718	7BD/5330-99-838-8814	GASKET SET	
4425	91082720	6MT3/6220-99-775-2612	LIGHT, FOG	
4426	91082721	6MT3/6220-99-726-2179	LIGHT, REVERSING	
4427	91083037	6MT3/6250-99-752-2700	LAMP ASSEMBLY, STOP, TAIL, INDICATOR	
4428	91083041	6MT7/3110-99-808-1760	BEARING, BALL, JOURNAL	
4429	91083069	6MT9/4820-99-836-1547	VALVE, SAFETY-RELIEF	
4430	91083102	7BD/5340-99-793-1498	MOUNT, RESILIENT	
4431	91083322	7BD/2590-99-793-7778	WIRING HARNESS	
4432	91083326	7BD/2590-99-765-9402	WIRING HARNESS, BRANCHED	
4433	91083327	7BD/2590-99-793-7815	WIRING HARNESS	
4434	91083329	7BD/2590-99-765-9401	WIRING HARNESS, BRANCHED	
4435	91083340	7BD/2590-99-752-2701	COVER, BATTERY	
4436	91083343	7BD/2590-99-752-2703	ROD, BATTERY CLAMP	
4437	91083345	7BD/2590-99-752-2704	CLAMP ASSEMBLY, BATTERY	
4438	91083432	7BD/2590-99-763-4536	WIRING HARNESS	
4439	91083433	7BD/2590-99-763-4537	WIRING HARNESS	
4440	91083522	7BD/2520-99-762-5017	AXLE ASSEMBLY, AUTOMOTIVE, DRIVING	
4441	91083523	7BD/2520-99-762-5018	AXLE ASSEMBLY, AUTOMOTIVE, DRIVING	
4442	91083526	7BD/2520-99-791-8210	AXLE ASSEMBLY, AUTOMOTIVE, DRIVING	
4443	91083543	7BD/2530-99-726-8566	AXLE ASSEMBLY, AUTOMOTIVE, DRIVING	
4444	91083786	7BD/2590-99-763-4533	WIRING HARNESS	
4445	91083787	7BD/2590-99-763-4534	WIRING HARNESS	
4446	91083808	6MT12/2910-99-838-3731	PUMP, FUEL, METERING AND DISTRIBUTING	
4447	91083921	7BD/5306-99-788-1613	BOLT	
4448	91083975	7BD/4730-99-792-5637	SLEEVE, COMPRESSION, PIPE- HOSE FITTING	
4449	91084174	7BD/2520-99-753-7474	AXLE ASSEMBLY, AUTOMOTIVE, DRIVING	
4450	91084175	7BD/2520-99-753-7482	AXLE ASSEMBLY, AUTOMOTIVE, DRIVING	
4451	91084176	7BD/2520-99-762-5015	AXLE, ASSEMBLY, AUTOMOTIVE, DRIVING	
4452	91084177	7BD/2520-99-762-5016	AXLE ASSEMBLY, AUTOMOTIVE, DRIVING	
4453	91084191	7BD/5330-99-763-6890	SEAL, PLAIN, ENCASED	
4454	91084192	6MT7/3110-99-763-6869	BEARING, TAPED, ROLLER	
4455	91084840	7BD/2520-99-762-5014	GEARBOX, MECHANICAL	
4456	91084872	6MT3/2540-99-833-9948	MOTOR-PUMP, WINDSCREEN WASHER	
4457	91084873	6MT3/2540-99-726-5351	MOTOR-PUMP, WINDSCREEN WASHER	

I T E M N O	Mfr Part Number	Catalogue Number	Item Name	Remarks
4458	91084945	7BD/4320-99-838-4577	PUMP, ROTARY, POWER DRIVEN	
4459	91085043	7BD/5340-99-748-2279	LOCK, RIM	
4460	91085115	7BD/2540-99-725-8058	STRIP, RUBBER, CUSHIONING	
4461	91085172	7BD/2590-99-794-3307	WIRING HARNESS, BRANCHED	
4462	91085199	7BD/5940-99-725-3535	FUSE BOX	
4463	91085269	7BD/3120-99-763-6336	WASHER, THRUST	
4464	91085270	7BD/3120-99-763-6337	WASHER, THRUST	
4465	91085271	7BD/3120-99-763-6338	WASHER, THRUST	
4466	91085272	7BD/3120-99-763-6339	WASHER, THRUST	
4467	91085273	7BD/3120-99-763-6340	WASHER, THRUST	
4468	91085274	7BD/3120-99-763-6341	WASHER, THRUST	
4469	91085275	7BD/3120-99-763-6342	WASHER, THRUST	
4470	91085276	7BD/3120-99-763-6343	WASHER, THRUST	
4471	91085277	7BD/3120-99-763-6344	WASHER, THRUST	
4472	91085278	7BD/3120-99-763-6345	WASHER, THRUST	
4473	91085279	7BD/3120-99-763-6346	WASHER, THRUST	
4474	91085325	7BD/5340-99-051-0316	ROD ASSEMBLY	
4475	91085366	7BD/2520-99-767-6202	HOUSING SPEEDOMETER DRIVE	
4476	91085370	7BD/3030-99-740-8073	BELTS, V, ENDLESS, MATCHED SET	
4477	91085374	7BD/2510-99-725-5099	RUBBER SPECIAL SHAPED SECTION	
4478	91085375	7BD/2510-99-725-5105	RUBBER SPECIAL SHAPED SECTION	
4479	91085833	7BD/2590-99-765-9383	WIRING HARNESS	
4480	91085854	8REAT/4710-99-736-1671	PIPE, STEEL	
4481	91085855	8REAT/4710-99-736-1667	PIPE, STEEL	
4482	91085871	7BD/2590-99-765-8954	WIRING HARNESS	
4483	91085880	7BD/2590-99-765-9382	WIRING HARNESS	
4484	91085890	6MT4/5930-99-828-3052	SWITCH, STOP LIGHT	
4485	91085891	7BD/2910-99-765-8957	CABLE ASSEMBLY, CONTROL	
4486	91085895	8REAT/2590-99-832-2305	PIPE, STEEL	
4487	91085896	6MT10/2520-99-766-2411	PUMP, AXIAL PISTONS	
4488	91085897	8REAT/4710-99-837-6796	PIPE ASSEMBLY	
4489	91085898	8REAT/5340-99-837-6777	BLOCK, LOCATING	
4490	91086088	7BD/2910-99-726-6199	PIPE, FLEXIBLE	
4491	91086122	6MT9/2530-99-838-5304	REPAIR KIT, VALVE	
4492	91086147	X5/6240-99-995-9145	LAMP, FILAMENT	
4493	91086167	7BD/6220-99-721-4573	HEADLIGHT	
4494	91086170	6MT3/6220-99-838-6312	HEADLIGHT	
4495	91086183	6MT9/2530-99-811-6664	CYLINDER ASSEMBLY, HYDRAULIC BRAKE, MASTER	
4496	91086184	6MT9/2530-99-813-0166	VALVE ASSEMBLY, RECUPERATING	
4497	91086191	7BD/6220-99-736-4298	REAR LAMP ASSEMBLY	

I T E M N O	Mfr Part Number	Catalogue Number	Item Name	Remarks
4498	91086196	7BD/2815-99-781-1093	PARTS KIT, OIL PRESSURE RELIEF VALVE	
4499	91086380	6MT3/6220-99-835-0444	LIGHT, FOG	
4500	91086381	6MT3/6220-99-742-7868	REVERSE LIGHT LENS ASSEMBLY	
4501	91086383	6MT3/6220-99-835-0445	LIGHT, REVERSING	
4502	91086501	7BD/2990-99-786-7606	PUMP, ROTARY, POWER DRIVEN	
4503	91086630	7BD/2530-99-763-4550	SHAFT, STEERING GEAR	
4504	91087051	7BD/4730-99-774-0653	ADAPTOR, STRAIGHT, PIPE	
4505	91087132	6MT9/2530-99-725-3503	EVAPORATOR, ALCOHOL	
4506	91087278	7BD/2510-99-839-3853	HANDLE ASSEMBLY, COVER	
4507	91087494	7BD/2805-99-748-2281	COLLET, SPLIT	
4508	91088519	7BD/2530-99-725-1563	ADAPTOR, TRANSMISSION BRAKE	
4509	91088721	6MT8/2920-99-776-9166	DISTRIBUTOR, IGNITION SYSTEM	
4510	91088935	7BD/3110-99-763-6332	BEARING, PARALLEL ROLLER, JOURNAL	
4511	91088961	7BD/5340-99-874-0908	PLUG, EXPANSION	
4512	91089032	7BD/5330-99-021-4976	SEAL, NONMETALLIC SPECIAL SHAPED SECTION	
4513	91089113	7BD/5310-99-788-1611	NUT, LOCK	
4514	91089158	6MT9/4320-99-825-6676	PUMP, ROTARY, POWER DRIVEN	
4515	91089220	6MT10/2520-99-736-4141	SHAFT, PROPELLER	
4516	91089284	7BD/5340-99-700-3456	HANDLE, BOW	
4517	91089285	7BD/5340-99-244-7631	HANDLE, BOW	
4518	91089708	7BD/6105-99-709-4751	MOTOR, ELECTRICAL	
4519	91089715	7BD/2590-99-763-4539	WIRING HARNESS	
4520	91089740	7BD/5365-99-762-8213	SPACER	
4521	91089765	7BD/2520-99-838-6810	BREATHER	
4522	91089903	7BD/5306-99-769-3038	BOLT, SQUARE NECK	
4523	91089908	7BD/5310-99-335-4307	WASHER, FLAT	
4524	91089920	7BD/5340-99-179-6887	BRACKET, CABLE SUPPORT	
4525	91089921	7BD/2805-99-823-9617	CAMSHAFT, ENGINE	
4526	91089934	7BD/4710-99-731-4621	PIPE, EXHAUST	
4527	91089960	7BD/2815-99-777-8866	SEAL, CRANKSHAFT BEARING	
4528	91090000	8REAT/4710-99-837-6797	PIPE ASSEMBLY	
4529	91090006	8REAT/2590-99-832-2312	CLIP, NORMA	
4530	91090019	8REAT/5330-12-156-4784	GASKET	
4531	91090020	8REAT/4730-99-823-7190	ADAPTOR, STRAIGHT, PIPE	
4532	91090061	6MT3/6220-99-766-7961	DIRECTIONAL LIGHT, VEHICULAR	
4533	91090067	7BD/2590-99-752-2726	BOX, BATTERY SWITCH	
4534	91090560	6MT3/6220-99-765-7461	TAILLIGHT-STOPLIGHT-TURNLIGHT	

I T E M N O	Mfr Part Number	Catalogue Number	Item Name	Remarks
4535	91090568	7BD/2815-99-763-5334	PISTON, INTERNAL COMBUSTION ENGINE	
4536	91090569	7BD/2815-99-763-5335	PISTON, INTERNAL COMBUSTION ENGINE	
4537	91090570	7BD/2815-99-370-8046	PISTON, INTERNAL COMBUSTION ENGINE	
4538	91090571	7BD/2815-99-774-0632	PISTON, INTERNAL COMBUSTION ENGINE	
4539	91090574	7BD/2815-99-774-0633	PISTON, INTERNAL COMBUSTION ENGINE	
4540	91090575	7BD/2815-99-774-0634	PISTON, INTERNAL COMBUSTION ENGINE	
4541	91090576	7BD/2815-99-774-0629	PISTON, INTERNAL COMBUSTION ENGINE	
4542	91090578	7BD/2815-99-774-0635	PISTON, INTERNAL COMBUSTION ENGINE	
4543	91090579	7BD/2815-99-774-0636	PISTON, INTERNAL COMBUSTION ENGINE	
4544	91090592	9AHY/5330-99-748-9983	GASKET FORMING COMPOUND	
4545	91090599	7BD/2930-99-794-7459	PARTS KIT, ENGINE COOLANT PUMP	
4546	91090617	6MT9/5330-99-739-6922	SPRING, GARTER, EXTENSION	
4547	91090633	6MT3/6220-99-835-0427	HEADLIGHT	
4548	91090634	6MT3/6220-99-835-0428	HEADLIGHT	
4549	91090672	6MT12/2910-99-822-2754	COUPLING, SHAFT, VERNIER ADJUSTMENT	
4550	91090708	6MT10/2520-99-795-0946	PARTS KIT, FRICTION CLUTCH	
4551	91090710	6MT3/6220-99-828-6034	SIDELIGHT	
4552	91090748	6MT9/2530-99-792-9305	RESERVOIR, FLUID	
4553	91090771	6MT3/6220-99-725-5089	LIGHT, DOME	
4554	91091065	7BD/2520-99-817-5200	COVER, LAYSHAFT, FRONT	
4555	91091068	7BD/2520-99-083-0164	COVER, GEARBOX	
4556	91091527	8REAT/4720-99-838-6186	HOSE ASSEMBLY, RUBBER	
4557	91091546	7BD/2990-99-765-8959	PIPE, EXHAUST	
4558	91091549	7BD/2990-99-765-8960	PIPE, EXHAUST	
4559	91091750	7BD/2910-99-774-2355	PARTS KIT, FUEL PUMP	
4560	91091834	G1/5307-99-138-7015	STUD, PLAIN	
4561	91091835	6MT1/5330-99-713-9620	RING, SEALING, TOROIDAL	
4562	91091836	6MT12/2910-99-774-2341	PLATE, ORIFICE	
4563	91091837	6MT12/5330-99-774-2342	GASKET	
4564	91091839	G1/5310-99-949-7403	WASHER, LOCK	
4565	91091840	G1/5305-99-624-4440	SCREW, MACHINE	
4566	91091841	6MT12/2910-99-774-2344	PLUNGER, DETENT	
4567	91091842	6MT12/2910-99-774-2345	SPRING, HELICAL, COMPRESSION	
4568	91091843	6MT12/2910-99-774-2346	SHIM	
4569	91091844	6MT1/5330-99-713-9623	RING, SEALING, TOROIDAL	

I T E M N O	Mfr Part Number	Catalogue Number	Item Name	R marks
4570	91091845	6MT4/2910-99-774-2348	SOLENOID, ELECTRICAL	
4571	91092031	H1/4730-99-224-7304	LOCKING SEALANT	
4572	91092163	7BD/2520-99-763-1258	HOUSING, MECHANICAL DRIVE	
4573	91092389	7BD/4710-99-830-5314	PIPING, PLASTICS, SEMI-RIGID	
4574	91092393	6MT3/2590-99-774-7147	HORN, ELECTRICAL	
4575	91092394	7BD/2590-99-277-5798	HORN, ELECTRICAL	
4576	91092395	6MT3/2590-99-816-1935	HORN, ELECTRICAL	
4577	91092396	6MT3/2590-99-748-2484	HORN, ELECTRICAL	
4578	91092397	6MT3/2590-99-748-2486	HORN, ELECTRICAL	
4579	91092407	7BD/2590-99-051-0318	WIRING HARNESS, BRANCHED	
4580	91092492	7BD/2530-99-777-3523	TIE ROD, STEERING	
4581	91092608	7BD/2910-99-763-6048	CLIP PIPES	
4582	91092609	7BD/2910-99-763-6049	CLIP PIPES	
4583	91092622	7BD/2540-99-052-2582	CHANNEL, VEHICULAR WINDOW	
4584	91092623	7BD/9230-99-361-4396	CHANNEL	
4585	91092624	7BD/5930-99-750-7045	SWITCH, PRESSURE	
4586	91092878	7BD/2540-99-978-1115	ARM, WINDSCREEN WIPER	
4587	91092879	7BD/2590-99-132-0860	ARM ASSEMBLY	
4588	91092965	7BD/5905-99-767-0332	RESISTOR, FIXED, WIRE WOUND	
4589	91092968	7BD/5945-99-623-8904	RELAY, ELECTROMAGNETIC	
4590	91093023	7BD/5925-99-662-8955	CIRCUIT BREAKER	
4591	91093253	6MT3/6220-99-781-8280	RIM, UNIT SEATING	
4592	91093297	6MT9/2530-99-835-0767	ADAPTOR KIT	
4593	91093356	7BD/5330-99-762-4509	GASKET AND PREFORMED PACKING SET	
4594	91093357	7BD/5330-99-757-6601	GASKET SET	
4595	91093358	7BD/5330-99-763-5339	GASKET SET	
4596	91093361	7BD/5330-99-763-5340	GASKET SET	
4597	91093372	6MT9/2530-99-838-5180	PARTS KIT, HYDRAULIC BRAKE MASTER CYLINDER ASSEMBLY	
4598	91093573	6MT3/2530-99-829-5230	BOOT, DUST AND MOISTURE	
4599	91093939	7BD/4730-99-763-5345	REDUCER, TUBE	
4600	91094380	7BD/2990-99-786-7607	PIPE ASSEMBLY-OIL DELIVERY	
4601	91094665	7BD/2530-99-763-4548	VALVE, CONTROL, HAND	
4602	91094833	7BD/2815-99-726-8565	ENGINE, DIESEL	
4603	91094834	7BD/2815-99-726-8564	ENGINE, DIESEL	
4604	91094852	7BD/2910-99-769-3048	SHIELD, GAUGE, FUEL TANK	
4605	91094862	7BD/2510-99-768-9498	SPRING ASSEMBLY, LEAF	
4606	91095468	6MT12/2940-99-335-4381	FILTER, AIR, INTAKE	
4607	91095528	7BD/2910-99-702-2916	BRACKET, FUEL TANK	
4608	91095529	7BD/2910-99-725-9665	STRAP ASSEMBLY, FUEL TANK	
4609	91095543	7BD/2540-99-766-7539	CABLE	
4610	91095655	7BD/5945-99-783-5047	RELAY, ELECTROMAGNETIC	
4611	91096051	7BD/4720-99-609-8470	HOSE, PREFORMED	
4612	91096060	7BD/5930-99-197-6026	SWITCH, TOGGLE	

I T E M N O	Mfr Part Number	Catalogue Number	Item Name	Remarks
4613	91096244	7BD/3110-99-763-6333	BEARING, PARALLEL ROLLER, JOURNAL	
4614	91096399	7BD/5307-99-781-8206	STUD, PLAIN	
4615	91096519	7BD/5340-99-051-0316	ROD ASSEMBLY	
4616	91096593	7BD/2530-99-763-4547	VALVE, HAND CONTROL	
4617	91096663	7BD/2590-99-765-8952	WASHER, FLAT	
4618	91096664	7BD/2590-99-781-9834	ROD, CLAMPING	
4619	91096666	7BD/2590-99-765-8951	NUT, CLAMP	
4620	91096705	7BD/2590-99-765-9385	WIRING HARNESS	
4621	91097151	7BD/2540-99-725-7858	CONTROL ASSEMBLY, PUSH- PULL	
4622	91097228	7BD/2910-99-728-6158	TANK, FUEL, ENGINE	
4623	91097398	7BD/2815-99-367-1623	SUMP, ENGINE	
4624	91097614	7BD/2815-99-838-8808	RING SET, PISTON	
4625	91097616	7BD/2815-99-305-3518	RING SET, PISTON	
4626	91097666	7BD/2930-99-794-7460	FAN, ENGINE COOLING	
4627	91097672	7BD/5330-99-773-3055	GASKET	
4628	91097863	7BD/2530-99-978-2388	STEERING LOCK	
4629	91098136	7BD/2520-99-769-3047	BRACKET, GEAR LEVER	
4630	91098227	7BD/2930-99-786-6749	FAN, ENGINE COOLING	
4631	91098228	7BD/2930-99-830-9593	FAN, ENGINE COOLING	
4632	91098284	7BD/2590-99-726-2728	WIRING HARNESS	
4633	91098285	7BD/2920-99-731-3316	WIRING HARNESS, BRANCHED	
4634	91098386	7BD/5930-99-750-7046	BOOT, DUST AND MOISTURE SEAL	
4635	91098414	7BD/2590-99-725-3532	WIRING HARNESS	
4636	91098452	7BD/2540-99-757-5656	VALVE ASSEMBLY, VEHICLE HEATER	
4637	91098557	7BD/2540-99-740-4244	HEATER, VEHICULAR COMPARTMENT	
4638	91098574	6MT3/2540-99-809-7004	ARM, WINDSCREEN WIPER	
4639	91098575	6MT3/2540-99-811-0957	ARM, WINDSCREEN WIPER	
4640	91098836	7BD/2590-99-725-5078	WIRING HARNESS	
4641	91098974	7BD/2590-99-768-5701	HUB, IDLER GEAR	
4642	91099146	7BD/2540-99-870-6642	ADJUSTER, VEHICULAR SEAT	
4643	91099147	7BD/2540-99-500-3901	ADJUSTER, VEHICULAR SEAT	
4644	91099248	7BD/6220-99-789-1483	CONTROL, DIRECTIONAL SIGNAL LIGHT, AUTOMOTIVE	
4645	91099325	7BD/6685-99-765-8965	THERMOMETER, INDICATING, RESISTANCE	
4646	91099338	6MT3/6220-99-765-8950	FLOOD LAMP	
4647	91099339	6MT3/6220-99-765-8948	FLOOD LAMP	
4648	91099569	6MT9/2530-99-792-9303	CYLINDER ASSEMBLY, HYDRAULIC BRAKE, MASTER	
4649	91099608	6MT10/2520-99-835-9675	SPIDER, UNIVERSAL JOINT	
4650	91099624	6MT9/2530-99-338-7564	PARTS KIT, VALVE ASSEMBLY	
4651	91100028	7BD/2590-99-553-0726	WIRING HARNESS, BRANCHED	

I T E M N O	Mfr Part Number	Catalogue Number	Item Name	Remarks
4652	91100079	7BD/6150-99-577-5813	WIRING HARNESS, BRANCHED	
4653	91100218	7BD/5930-99-789-7144	SWITCH ASSEMBLY	
4654	91100448	7BD/2540-99-500-3890	STEP	
4655	91100449	7BD/2540-99-219-7920	STEP	
4656	91100490	7BD/2920-99-786-9970	WIRING HARNESS	
4657	91100491	7BD/2920-99-775-5798	HARNESS ASSEMBLY, IGNITION	
4658	91101003	6MT3/6220-99-763-1261	HEADLIGHT EXTENSION HARNESS	
4659	91101222	7BD/2920-99-765-9397	IGNITER ASSEMBLY	
4660	91101228	7BD/2815-99-764-8793	ENGINE, DIESEL	
4661	91101229	7BD/2815-99-764-8794	ENGINE, DIESEL	
4662	91101235	7BD/6680-99-765-9408	HEAD ASSEMBLY	
4663	91101870	7BD/2510-99-781-7425	PANEL ASSEMBLY, VEHICULAR	
4664	91101871	7BD/2510-99-775-6310	PANEL ASSEMBLY, VEHICULAR	
4665	91101882	7BD/5995-99-731-9231	WIRING HARNESS, BRANCHED	
4666	91102382	7BD/5310-99-781-6359	WASHER, RECESSED	
4667	91102583	7BD/2520-99-781-6358	FLANGE, COMPANION, UNIVERSAL JOINT	
4668	91102634	7BD/2910-99-096-0696	ADAPTOR AND PIPE ASSEMBLY	
4669	91102636	7BD/2910-99-730-3099	RETAINER, FUEL CAP	
4670	91102639	6MT1/4730-99-633-3252	ADAPTOR, ELBOW, PIPE	
4671	91102787	7BD/5310-99-587-8266	NUT, PLAIN, WING	
4672	91102867	6MT10/2520-99-823-6705	PLATE, CLUTCH	
4673	91103018	6MT9/2530-99-763-4545	CYLINDER ASSEMBLY, HYDRAULIC BRAKE, MASTER	
4674	91103021	7BD/5306-99-978-2424	BOLT	
4675	91103293	7BD/4710-99-978-1046	PIPE	
4676	91103578	7BD/2930-99-779-0550	FAN ENGINE COOLING	
4677	91103656	7BD/2510-99-781-3717	SPRING ASSEMBLY PULL	
4678	91104063	7BD/2990-99-770-7137	PIPE, EXHAUST	
4679	91104094	7BD/2590-99-783-5048	WIRING HARNESS	
4680	91104452	7BD/2510-99-156-4588	PANEL, BODY, VEHICULAR	
4681	91104453	7BD/2510-99-376-2665	PANEL, BODY, VEHICULAR	
4682	91104482	7BD/5340-99-203-5353	HANDLE, BOW	
4683	91104483	7BD/5340-99-325-2502	HANDLE, BOW	
4684	91104547	6MT1/5330-99-881-2905	GASKET	
4685	91104549	7BD/4730-99-172-9260	ADAPTOR, STRAIGHT, PIPE	
4686	91104756	7BD/4730-99-839-7350	ADAPTOR, STRAIGHT, PIPE	
4687	91104757	7BD/2590-99-978-2581	ADAPTOR	
4688	91104790	7BD/4730-99-352-4622	ADAPTOR, ELBOW, PIPE	
4689	91105004	7BD/5930-99-450-5735	SWITCH, TOGGLE	
4690	91105471	7BD/2815-99-760-7463	FLEXPLATE	
4691	91105527	7BD/5305-99-730-9675	SCREW, SELF-LOCKING	
4692	91105550	6MT10/2520-99-728-5206	SPIDER, UNIVERSAL JOINT	
4693	91105634	7BD/5930-99-978-2121	SWITCH AND HARNESS	

ITEM NO	Mfr Part Number	Catalogue Number	Item Name	Remarks
4694	91106378	6MT3/5945-12-326-2756	FLASHER, THERMAL	
4695	91106385	7BD/2815-99-740-8064	FLYWHEEL, ENGINE	
4696	91106516	7BD/4730-99-192-0235	ADAPTOR, STRAIGHT, PIPE	
4697	91106517	7BD/4820-99-978-1716	VALVE BALL	
4698	91106682	7BD/6150-99-564-2681	WIRING HARNESS, BRANCHED	
4699	91107052	6MT4/6105-99-825-4461	MOTOR, ELECTRIC	
4700	91107053	7BD/2540-99-824-2750	RADIATOR, HEATER, VEHICULAR	
4701	91107151	7BD/2540-99-736-4169	AIR CLEANER ASSEMBLY	
4702	91107331	7BD/2910-99-728-6171	UNIT AND PIPE, ASSEMBLY, FUEL	
4703	91107332	7BD/5365-99-995-8998	PLUG	
4704	91107485	6MT9/2530-99-799-8363	PARTS KIT, HYDRAULIC BRAKE MASTER CYLINDER ASSEMBLY	
4705	91107552	7BD/2590-99-783-5046	WIRING HARNESS	
4706	91107553	7BD/2590-99-784-7880	WIRING HARNESS	
4707	91107780	7BD/5306-99-785-6847	BOLT, SELF-LOCKING	
4708	91107914	7BD/2510-99-781-3718	HOOK, HIP RING COVER	
4709	91108119	7BD/2540-99-895-9962	CONTROL, UNIT	
4710	91108146	7BD/5920-99-825-4146	FUSEHOLDER ASSEMBLY	
4711	91108258	7BD/6680-99-792-3330	DIPSTICK TUBE ASSEMBLY	
4712	91108275	7BD/6680-99-792-3328	DIPSTICK, LIQUID QUANTITY	
4713	91108316	7BD/2590-99-978-1715	HANDLE AND LEVER ASSEMBLY	
4714	91108319	6MT1/5330-99-781-2436	SEAL, PLAIN, ENCASED	
4715	91108718	7BD/4730-99-995-8999	ADAPTOR AND PIPE ASSEMBLY	
4716	91108834	7BD/2510-99-199-1283	DOOR, VEHICULAR	
4717	91108835	7BD/2510-99-062-6169	DOOR, VEHICULAR	
4718	91108841	7BD/2510-99-766-7506	WINDOW, VEHICULAR	
4719	91108844	7BD/9340-99-723-0293	GLASS, SAFETY, SINGLE PLATE	
4720	91108845	7BD/9340-99-588-2207	GLASS, SAFETY, SINGLE PLATE	
4721	91108846	7BD/2510-99-665-0581	WINDOW, VEHICULAR	
4722	91108847	7BD/2510-99-588-2205	WINDOW, VEHICULAR	
4723	91109048	7BD/2510-99-846-2086	VENT, WING ASSEMBLY, DOOR, VEHICULAR	
4724	91109049	7BD/2510-99-662-8683	VENT, WING ASSEMBLY, DOOR, VEHICULAR	
4725	91109287	7BD/2540-99-215-5784	RADIATOR, VEHICULAR COMPARTMENT HEATER	
4726	91109705	7BD/2815-99-595-6030	ENGINE, DIESEL	
4727	91109719	7BD/5330-99-253-0709	RING, SEALING, TOROIDAL	
4728	91110193	7BD/5340-99-383-9912	STRAP, FUEL TANK, ANTI- SQUEAK	
4729	91110260	7BD/5355-99-830-4292	KNOB	

I T E M N O	Mfr Part Number	Catalogue Number	Item Name	Remarks
4730	91110271	7BD/2815-99-825-5218	COVER, ROCKER, ENGINE	
4731	91110525	7BD/2910-99-732-8510	RING, ADAPTOR	
4732	91110526	7BD/2910-99-732-7011	LOCKING RING	
4733	91110527	7BD/5330-99-734-4775	GASKET	
4734	91110529	7BD/5920-99-830-2477	COVER, FUSE ACCESS	
4735	91110572	7BD/6680-99-792-3331	TACHOMETER DRIVE ASSEMBLY	
4736	91110942	7BD/2590-99-791-4322	HORN, ELECTRICAL	
4737	91111030	6MT12/2940-99-725-7846	FILTER ELEMENT, AIR, INTAKE	
4738	91111031	6MT12/2940-99-726-6202	COVER, FILTER, AIR, INTAKE	
4739	91111032	6MT12/2940-99-836-6652	VALVE, DUST	
4740	91111033	6MT12/5330-99-725-7848	RING, SEALING, TOROIDAL	
4741	91111082	6MT12/2530-99-815-2023	VALVE, BRAKE, HAND CONTROL	
4742	91111525	7BD/5930-99-179-7866	SWITCH ASSEMBLY	
4743	91111527	7BD/5355-99-417-7052	KNOB	
4744	91111666	7BD/259*0-99-768-5701	HUB, IDLER GEAR	
4745	91111803	6MT12/2940-99-725-5100	FILTER, AIR, INTAKE	
4746	91112963	7BD/2590-99-978-1564	FILTER ELEMENT	
4747	91113343	7BD/6220-99-126-2317	DIRECTIONAL LIGHT, VEHICULAR	
4748	91113344	7BD/6220-99-842-2490	DIRECTIONAL LIGHT, VEHICULAR	
4749	91113345	7BD/6220-99-549-8612	LENS, LIGHT	
4750	91113959	7BD/4730-99-788-7090	NIPPLE, TUBE	
4751	91114007	7BD/2590-99-758-4453	SLEEVE, THREADED	
4752	91114440	7BD/2590-99-978-1109	FAN DRIVE	
4753	91114441	7BD/2590-99-978-1108	FAN ASSEMBLY	
4754	91114464	7BD/2530-99-700-3298	EVAPORATOR ALCOHOL	
4755	91114474	7BD/2910-99-732-7013	TRANSMITTER LIQUID QUANTITY	
4756	91114475	7BD/2990-99-978-2399	TRANSMITTER	
4757	91116350	7BD/2590-99-750-5047	WIRING HARNESS, BRANCHED	
4758	91116387	7BD/5305-99-950-3324	SCREW, CAP, SOCKET HEAD	
4759	91116695	7BD/2520-99-839-5397	HOUSING, MECHANICAL DRIVE	
4760	91116697	7BD/2520-99-839-5398	HOUSING, MECHANICAL DRIVE	
4761	91116699	7BD/2520-99-156-4345	HOUSING, MECHANICAL DRIVE	
4762	91116700	7BD/2520-99-300-5184	HOUSING, MECHANICAL DRIVE	
4763	91116702	7BD/2520-99-99-839-5399	HOUSING, MECHANICAL DRIVE	
4764	91116854	7BD/2815-99-573-0683	PISTON, INTERNAL COMBUSTION ENGINE	
4765	91116856	7BD/2815-99-052-2602	PISTON, INTERNAL COMBUSTION ENGINE	
4766	91117043	7BD/2815-99-763-5334	PISTON, INTERNAL COMBUSTION ENGINE	
4767	91117044	7BD/2815-99-774-0629	PISTON, INTERNAL COMBUSTION ENGINE	

I T E M N O	Mfr Part Number	Catalogue Number	Item Name	Remarks
4768	91117045	7BD/2815-99-775-5511	PISTON, INTERNAL COMBUSTION ENGINE	
4769	91117046	7BD/2815-99-978-2687	PISTON, INTERNAL COMBUSTION ENGINE	
4770	91117048	7BD/2815-99-774-0633	PISTON, INTERNAL COMBUSTION ENGINE	
4771	91117049	7BD/2815-99-774-0631	PISTON, INTERNAL COMBUSTION ENGINE	
4772	91117323	6MT1/2540-99-828-4032	HEATER, VEHICULAR COMPARTMENT	
4773	91117324	7BD/2540-99-829-3432	HEATER, VEHICULAR COMPARTMENT	
4774	91117634	7BD/2805-99-127-4110	BEARING SET, CONNECTING ROD	
4775	91117636	7BD/2805-99-805-8415	BEARING SET, CONNECTING ROD	
4776	91117660	6MT9/4820-99-827-9198	COCK, DRAIN	
4777	91117881	6MT4/2590-99-733-5461	SWITCH ASSEMBLY	
4778	91118914	7BD/2590-99-771-4703	SWITCH	
4779	91118915	6MT4/6220-99-827-9174	CONTROL, DIRECTION SIGNAL LIGHT, AUTOMOTIVE	
4780	91119178	7BD/4710-99-942-4715	PIPE	
4781	91119791	7BD/2990-99-798-1767	COVER, ROCKER, ENGINE	
4782	91119800	7BD/2815-99-774-0635	PISTON, INTERNAL COMBUSTION ENGINE	
4783	91119801	7BD/2815-99-774-0634	PISTON, INTERNAL COMBUSTION ENGINE	
4784	91119802	7BD/2815-99-774-0632	PISTON, INTERNAL COMBUSTION ENGINE	
4785	91119803	7BD/2815-99-774-0636	PISTON, INTERNAL COMBUSTION ENGINE	
4786	91119828	7BD/5330-99-978-1486	SEAL, PLAIN, ENCASED	
4787	91119833	7BD/5310-99-852-8744	NUT, PLAIN, WING	
4788	91119950	7BD/2815-99-978-2433	ENGINE, DIESEL	
4789	91120009	7BD/5325-99-384-6709	GROMMET, RUBBER	
4790	91120994	7BD/2920-99-768-8554	CABLE, ELECTRICAL, STARTER	
4791	91121154	7BD/2910-99-722-1708	TANK, FUEL, ENGINE	
4792	91121155	7BD/2910-99-978-1045	TANK, FUEL	
4793	91121159	7BD/2910-99-741-9876	TANK, FUEL, ENGINE	
4794	91121161	7BD/2910-99-725-6556	TANK, FUEL, ENGINE	
4795	91121188	7BD/2910-99-745-0584	TANK, FUEL, ENGINE	
4796	91121438	7BD/2510-99-547-9791	PANEL, BODY, VEHICULAR	
4797	91121439	7BD/2510-99-810-4344	PANEL, BODY, VEHICULAR	
4798	91121674	6MT14/2530-99-881-8312	WHEEL, PNEUMATIC TYRE	
4799	91121714	7BD/5365-99-722-5074	SPACER, SLEEVE	
4800	91121718	7BD/4730-99-865-4749	ELBOW, PIPE	

I T E M N O	Mfr Part Number	Catalogue Number	Item Name	Remarks
4801	91122404	7BD/2540-99-900-2668	MOTOR, WINDSCREEN WIPER, PNEUMATIC	
4802	91122405	6MT4/2920-99-733-8608	GENERATOR, ENGINE ACCESSORY	
4803	91122406	7BD/6105-99-096-0697	MOTOR	
4804	91122409	7BD/2920-99-738-8396	SUPPORT, BATTERY HANGER	
4805	91122450	7BD/2920-99-711-5848	WIRING HARNESS, BRANCHED	
4806	91122452	7BD/2920-99-768-8556	WIRING HARNESS	
4807	91122457	7BD/2920-99-768-8559	WIRING HARNESS	
4808	91122928	7BD/2510-99-766-7546	PANEL, BODY, VEHICULAR	
4809	91122929	7BD/2510-99-810-4343	PANEL, BODY, VEHICULAR	
4810	91123190	7BD/2540-99-861-9606	COVER ASSEMBLY	
4811	91123575	7BD/5330-99-748-5760	PACKING ASSEMBLY	
4812	91123679	7BD/2815-99-740-8042	PISTON, INTERNAL COMBUSTION ENGINE	
4813	91123683	7BD/2815-99-842-1617	PISTON, INTERNAL COMBUSTION ENGINE	
4814	91123687	7BD/2815-99-660-9744	PISTON, INTERNAL COMBUSTION ENGINE	
4815	91123758	7BD/2510-99-398-7076	PANEL, BODY, VEHICULAR	
4816	91124674	7BD/2910-99-733-2525	TANK, FUEL, ENGINE	
4817	91124710	7BD/2540-99-517-8832	BELT, VEHICULAR SAFETY	
4818	91124711	7BD/2540-99-752-2525	BELT, VEHICULAR SAFETY	
4819	91124712	7BD/2540-99-742-0517	BELT, VEHICULAR SAFETY	
4820	91124789	7BD/2590-99-836-8778	RETAINER, BATTERY	
4821	91125818	7BD/2540-99-434-2104	BELT, VEHICULAR SAFETY	
4822	91125844	7BD/2910-99-739-6116	TANK, FUEL, ENGINE	
4823	91125915	7BD/2540-99-742-0529	BELT, VEHICULAR SAFETY	
4824	91126330	7BD/2910-99-733-8048	MODIFICATION KIT, FUEL TANK	
4825	91126341	7BD/2910-99-839-7037	FITTING KIT	
4826	91126353	7BD/2910-99-722-1709	FITTING KIT, FUEL TANK	
4827	91126367	7BD/2930-99-794-7459	PARTS KIT, ENGINE COOLANT PUMP	
4828	91126590	6MT4/5930-99-728-5221	SWITCH, PUSH	
4829	91127643	7BD/2815-99-253-9910	ENGINE, DIESEL	
4830	91127730	7BD/2920-99-422-4239	WIRING HARNESS, BRANCHED	
4831	91131169	7BD/2540-99-301-5041	COVER, HEATER	
4832	91131799	7BD/2510-99-320-4344	COVER, OBSERVATION HATCH	
4833	91136567	7BD/2540-99-905-9697	HEATER, VEHICULAR, COMPARTMENT	
4834	91136852	7BD/2510-99-257-9571	DOOR, VEHICULAR	
4835	91136853	7BD/2510-99-950-3287	DOOR, VEHICULAR	
4836	91137150	7BD/2590-99-051-9714	BRACKET, VEHICULAR COMPONENTS	
4837	91137151	7BD/2590-99-024-8952	BRACKET, VEHICULAR COMPONENTS	

I T E M N O	Mfr Part Number	Catalogue Number	Item Name	Remarks
4838	91137152	7BD/2590-99-563-5844	BRACKET, VEHICULAR COMPONENTS	
4839	91137153	7BD/2590-99-301-5302	BRACKET, VEHICULAR COMPONENTS	
4840	91137378	7BD/2540-99-126-2318	CONSOLE	
4841	91137379	7BD/2540-99-131-1411	CONSOLE	
4842	91138949	7BD/5930-99-662-8681	SWITCH, ROTARY	
4843	93151041	6MT12/2910-99-773-3684	PUMP, FUEL, CAM ACTUATED	
4844	93151225	7BD/2910-99-299-8447	DIAPHRAGM PUMP	
4845	93154980	7BD/2590-99-654-6404	COMBINED INSTRUMENT ASSEMBLY	
4846	93156129	7BD/2815-99-794-7454	CYLINDER HEAD, DIESEL ENGINE	
4847	93892640	X5/6240-99-995-2253	LAMP, FILAMENT	
4848	93892645	X5/6240-99-251-4411	LAMP, FILAMENT	
4849	93892650	X5/6240-99-995-9145	LAMP, FILAMENT	
4850	A4010119	7BD/4730-99-930-8875	CONNECTOR	
4851	A4010120	7BD/4730-99-356-7547	CONNECTOR	
4852	A4020448	7BD/6220-99-235-4371	LENS, LIGHT	
4853	A4020449	7BD/6220-99-722-4871	LENS, LIGHT	
4854	A4021009	7BD/6220-99-623-8854	LIGHT ASSEMBLY	
4855	A4021010	7BD/6220-99-891-7160	LIGHT ASSEMBLY	
4856	A4021011	7BD/6220-99-500-3886	DIRECTIONAL LIGHT, VEHICULAR	
4857	A4021012	7BD/6220-99-547-9790	DIRECTIONAL LIGHT, VEHICULAR	
4858	A4021213	7BD/2540-99-702-0671	COVER	
4859	A4021301	7BD/2530-99-361-7554	VALVE, CONTROL, HAND	
4860	A4021323	7BD/5930-99-973-1655	SWITCH, PRESSURE	
4861	A4021560	7BD/2540-99-500-3888	BLOWER	
4862	A4021764	7BD/2540-99-199-2172	SEAT, VEHICULAR	
4863	A4021765	7BD/2540-99-203-5762	SEAT, VEHICULAR	
4864	A4024620	7BD/2540-99-588-2206	BUMPER, VEHICULAR	
4865	A4024621	7BD/2540-99-807-8834	BUMPER, VEHICULAR	
4866	A4026007	7BD/2540-99-522-0904	FINISHER	
4867	A4026339	7BD/6150-99-301-5038	WIRING HARNESS, BRANCHED	
4868	A4026632	7BD/2540-99-147-2507	VISOR, SUN, VEHICLE	
4869	A4026633	7BD/2540-99-075-7552	VISOR, SUN, VEHICLE	
4870	A4026850	7BD/5340-99-301-5288	BRACKET, VEHICULAR SEAT	
4871	A4026851	7BD/5340-99-909-6109	BRACKET, VEHICULAR SEAT	
4872	A4028302	7BD/6220-99-500-3887	HEADLIGHT	
4873	A4028303	7AWD/6620-99-801-5035	HEADLIGHT	
4874	A4028386	7BD/2510-99-075-7553	FENDER, VEHICULAR	
4875	A4028387	7BD/2510-99-439-2038	FENDER, VEHICULAR	
4876	A4031009	7BD/2540-99-702-0673	HEADLINING	
4877	A4031922	7BD/6680-99-373-9735	TRANSMITTER, LIQUID QUANTITY	

I T E M N O	Mfr Part Number	Catalogue Number	Item Name	R marks
4878	A4036108	7BD/2540-99-075-7551	COVER, SEAT, VEHICULAR	
4879	A4036109	7BD/2540-99-807-8824	COVER, SEAT, VEHICULAR	
4880	A4036290	7BD/9905-99-987-8727	LETTERSET	
4881	A4036734	7BD/2510-99-301-5040	FENDER, VEHICULAR	
4882	A4036735	7BD/2510-99-311-3326	FENDER, VEHICULAR	
4883	A4036748	7BD/5340-99-598-7627	BRACKET, MOUNTING	
4884	A4036749	7BD/5340-99-662-8684	BRACKET, MOUNTING	
4885	A4036750	7BD/5340-99-352-6976	BRACKET, MOUNTING	
4886	A4036751	7BD/5340-99-500-3891	BRACKET, MOUNTING	
4887	A4036858	6MT3/2540-99-234-3017	BLADE, WINDSCREEN WIPER	
4888	A4036868	7BD/2540-99-573-1803	GUARD, SPLASH, VEHICULAR	
4889	A4036960	7BD/2540-99-909-6102	HANDLE, DOOR, VEHICULAR	
4890	A4036961	7BD/2540-99-350-5770	HANDLE, DOOR, VEHICULAR	
4891	A4036977	7BD/5930-99-940-5469	SWITCH, THERMOSTATIC	
4892	A4037119	7BD/6150-99-257-9654	WIRING HARNESS, BRANCHED	
4893	A4037149	7BD/6150-99-884-6328	WIRING HARNESS, BRANCHED	
4894	A4037195	7BD/2510-99-215-5781	GRILLE, RADIATOR, VEHICULAR	
4895	A4037610	7BD/2540-99-126-2336	WINDSHIELD WIPER ASSEMBLY	
4896	A4037672	7BD/2540-99-168-9751	WINDSHIELD WIPER ASSEMBLY	
4897	A4037826	7BD/6680-99-197-1934	SPEEDOMETER	
4898	A4037830	7BD/2530-99-010-0700	SHAFT, STEERING COLUMN	
4899	A4037831	7BD/5340-99-570-1227	BRACKET, ANGLE	
4900	A4037846	7BD/2510-99-001-6834	CAB ASSEMBLY	
4901	A4037847	7BD/2510-99-950-3279	CAB ASSEMBLY	
4902	A4037964	7BD/2540-99-361-4946	MAT, FLOOR	
4903	A4037965	7BD/2540-99-968-1724	MAT, FLOOR	
4904	A4037971	7BD/2540-99-037-0525	COVER	
4905	A4038033	7BD/5305-99-744-9880	SCREW, MACHINE	
4906	A4038801	7BD/2530-99-930-7310	EVAPORATOR, ALCOHOL	
4907	A4039204	7BD/2590-99-346-9805	RACK, BAGGAGE, VEHICULAR	
4908	A4039386	7BD/2540-99-235-4372	PLUG	
4909	A4039389	7BD/2510-99-807-8828	HOUSING, PANEL, VEHICULAR OPERATION	
4910	A4039410	7BD/2510-99-568-5766	HOUSING, PANEL, VEHICULAR OPERATION	
4911	A4039441	7BD/6625-99-564-8853	GAGE, FUEL	
4912	A4039442	7BD/6625-99-215-5780	GAGE, TEMPERATURE	
4913	A4039443	7BD/6685-99-372-8913	GAGE, PRESSURE, DIAL INDICATING	
4914	A4039444	6MT4/6625-99-794-9532	INDICATOR, BATTERY CONDITION	
4915	A4039457	7BD/6680-99-301-5042	TRANSMITTER, LIQUID QUANTITY	
4916	A4039505	7BD/6150-99-808-2643	WIRING HARNESS, BRANCHED	
4917	A4039506	7BD/6150-99-989-0964	WIRING HARNESS, BRANCHED	

I T E M N O	Mfr Part Number	Catalogue Number	Item Name	Remarks
4918 4919 4920	A4039891 A4039892 TD2136	7BD/5340-99-950-3350 7BD/5340-99-051-9814 7BD/7610-99-641-8006	BRACKET, MOUNTING BRACKET, MOUNTING SHEET, TECHNICAL	

This proforma should be retained in this publication. When required for use, reproduce locally.

COMMENT ON AESP

TO: ARMY TECHNICAL SUPPORT AGENCY (DTS) FROM:
BLDG 105 SECTION TSS2.11
CHETWYND BARRACKS
CHILWELL
BEESTON
NOTTINGHAM NG9 5HA

Sender's Reference..... Tel.No.....

Date.....

Title of AESP TRUCK, 4 TONNE, BEDFORD MJ - ALL VARIANTS

COMMENT

Signed:

TO:
.....
.....
.....
.....

FROM: ATSA (DTS)
BLDG 105 SECTION TSS2.11
CHETWYND BARRACKS
CHILWELL
BEESTON
NOTTINGHAM NG9 5HA

Thank you for commenting on AESP 2320-H-100-721

* Action is being taken to:

* (i) Revise the AESP

* (ii) Amend the AESP

* No action is considered necessary for the following reasons:

* Delete as necessary

Signed:

Date.....



**THIS AESP
NO LONGER
CONTAINS
MICROFICHE
PLEASE CONTACT
THE
PRINT AUTHORITY**



TRUCK, 4 TONNE, BEDFORD MJ - ALL VARIANTS

COMPLETE EQUIPMENT SCHEDULE, SERVICE EDITION (SIMPLE EQUIPMENT)

**Sponsored for use in the
UNITED KINGDOM MINISTRY OF DEFENCE
AND ARMED FORCES
by**

**GENERAL SUPPORT VEHICLE PROJECT TEAM
DI832**

**Publication Authority:
DIRECTOR GENERAL SAFETY AND ENGINEERING-
TECHNICAL INFORMATION GROUP
KCZM6**

CONDITIONS OF RELEASE

~~This information is released by the UK Government for Defence purposes only.~~

~~This information must be afforded the same degree of protection as that afforded to information of an equivalent security marking originated by the recipient Government or as required by the recipient Government's security regulations.~~

~~This information may be disclosed only within the Defence Department of the recipient Government, except as otherwise authorized by the Ministry of Defence (Army).~~

~~This information may be subject to privately owned rights.~~

© CROWN COPYRIGHT
RESERVED

AMENDMENT RECORD

Amdt No.	Incorporated by (Signature)	Date
1	INCORPORATED	Oct 09
2		
3		
4		
5		
6		
7		
8		
9		
10		
11		
12		
13		
14		
15		
16		
17		
18		
19		
20		
21		
22		
23		
24		
25		
26		
27		
28		
29		
30		
31		

Amdt No.	Incorporated by (Signature)	Date
32		
33		
34		
35		
36		
37		
38		
39		
40		
41		
42		
43		
44		
45		
46		
47		
48		
49		
50		
51		
52		
53		
54		
55		
56		
57		
58		
59		
60		
61		
62		

CONTENTS

PRELIMINARY MATERIAL	Page
Front cover	(i)
CONDITIONS OF RELEASE	(ii)
AMENDMENT RECORD	(iii)/(iv)
CONTENTS (this list)	(v)
PREFACE	(vi)
Introduction	(vi)
Instructions for use by units	(vi)
Initial issues by Royal Logistics Corps	(vi)
In lieu items	(vi)
General notes	(vi)
Amendments	(vii)
Indentations	(vii)
Description	(vii)
Additional information	(viii)
Applicability details	(viii)
Related and associated publications	(ix)
Related publications	(ix)
Associated publications	(x)
ABBREVIATIONS AND SYMBOLS	(x)
Abbreviations	(x)
Symbols	(xii)
COMMENT(S) ON AESP*	Final leaf

COMPLETE EQUIPMENT SCHEDULE, SERVICE EDITION (SIMPLE EQUIPMENT)

Chapter

- 1 General information
- 2 Complete equipment schedule
- 2-1 Truck, GS cargo
- 2-2 Truck, cargo, with winch
- 2-3 Truck, flat platform, with 3 tonne crane
- 2-4 Truck, GS, with 3 tonne crane, armament support
- 2-5 Truck, flat platform
- 2-6 Truck, UBRE, winterised
- 2-7 Truck, flat platform, with winch
- 3 Indexes
- 3-1 Index of NATO stock numbers to chapter, figure and item numbers
- 3-2 Index of manufacturers' part/drawing numbers to chapter, figure and item numbers

PREFACE

Sponsor: GSV PT
Project No.: FTS2/GSV/5027
File Ref: PUBS/TASK1

Publication Authority: DGS&E-TIG Abbey Wood

INTRODUCTION

1 Any comments by service users on this publication should be forwarded through the channels prescribed in Army Equipment Support Publication (AESP) 0100-P-011-013. An AESP Form 10 is provided at the end of this publication; it should be photocopied and used for forwarding comments on this AESP.

2 AESPs are issued under UK MOD authority and where AESPs specify action is to be taken, the AESP will of itself be sufficient authority for such action and also for the demanding of the necessary stores, subject to the provisions of Para 3 below.

3 The subject matter of this publication may be affected by Defence Instructions and Notices (DIN), Standard Operating Procedures (SOP) or by local regulations. When any such instruction, Order or Regulation contradicts any portion of this publication it is to be taken as the overriding authority.

Instructions for use by units

4 Detailed instructions for use by units are given in Joint Service Publication 886.

Initial issues by Royal Logistics Corps

5 Initial issues by Royal Logistics Corps (RLC) are as described below:

5.1 One copy of the CES will be attached to the Unit's copy of the issue voucher and one further copy accompanying every equipment.

5.2 Deficiencies (if any) will be enfaced on the covering issue voucher by reference to the Serial Number of the items listed in the simple CES.

5.3 'To follow' vouchers will not be created.

5.4 All items listed in the CES can be issued separately. If any listed herein becomes unserviceable it should be extracted and exchanged and the equipment retained pending receipt. Transfers between equipment holders should normally be complete to CES.

In lieu items

6 Authorised 'in lieu' items held against this CES will not be replaced until such time as they are no longer serviceable. When replacement becomes necessary the correct item, as listed in the CES, will be demanded.

General notes

7 Certain items may be annotated as follows:

7.1 (E) - Expendable stores, consumable stores and material, 'NON LEDGER' spare parts of minor value.

7.2 (X) - ESSENTIAL ITEMS without which the RLC will not issue the equipment.

7.3 (*) - This asterisk indicates the accountability classification of the item.

7.4 (NI) - (Not illustrated) when appearing with a number in the 'Fig Item' column indicates that the item is not illustrated.

7.5 (NIV) - (Not In Vocabulary) indicates that the item is not available within the stores system.

Amendments

8 Amendments to the catalogue will be published as and when necessary. These will be numbered consecutively, and the Amendment record sheet is to be completed for each amendment list embodied. New or amended material will be highlighted by side lining to show the extent of the amendment.

Indentations

9 Items are listed in a logical assembly/disassembly order and are indented by the 'dot system' in which each 'Dot' depicts the relationship of the item to the assembly.

MAIN ASSEMBLY

Attaching parts for main assembly

. FIRST LEVEL OF BREAKDOWN (Sub-assembly or detailed part of main assembly)

. Attaching parts for the first level

. . SECOND LEVEL OF BREAKDOWN (Sub-sub-assembly or detailed part of Sub-assembly)

. . Attaching parts for second level

. . . THIRD LEVEL OF BREAKDOWN (Sub-sub-sub-assembly or detailed part of Sub-sub-assembly)

. . . Attaching parts for third level

. . . . FOURTH LEVEL OF BREAKDOWN ((Sub-sub-sub-assembly or detailed part of Sub-sub-assembly)

. . . . Attaching parts for fourth level

Description

10 The Item Description and Annotation Block is also to convey additional information to the CES user, which will appear in brackets ie related location detail, eg another AESP or Chapter/Item within this AESP.

ADDITIONAL INFORMATION**Applicability details**

11 This CES relates to the following equipments:

<u>NSN</u>	<u>Veh Code</u>	<u>Description</u>
2320-99-893-5954	2025-3100	Truck, GS Cargo, MJ
2320-99-893-6142	2025-8100	Truck, GS Cargo, MJ (LHD)
2320-99-893-6565	2026-3100	Truck, GS Cargo, MJ (Winterised)
2320-99-893-6644	2025-8101	Truck, GS Cargo, MJ
2320-99-893-6141	2050-3100	Truck, GS Cargo, MJ, with winch
2320-99-893-6143	2050-8100	Truck, GS Cargo, MJ, with winch
2320-99-893-6581	2053-3100	Truck, GS Cargo, MJ, with winch
2320-99-893-6921	2096-8100	Truck, GS Cargo, MJ, with winch
2320-99-893-6671	2094-3100	Truck, Flat Platform, MJ, with 3T Crane
2320-99-893-6922	2094-8100	Truck, Flat Platform, MJ, with 3T Crane
2320-99-893-6146	2038-3100	Truck, GS, MJ, with 3T Crane Armament Support
2320-99-893-6147	2038-8100	Truck, GS, MJ, with 3T Crane Armament Support (LHD)
2320-99-893-6148	2039-3100	Truck, Cargo, MJ, with 3T Crane, Air Portable Fuel Carrier
2320-99-893-8006	2043-3101	Truck, Cargo, MJ, with 3T Crane (Winterised)
2320-99-893-6328	2037-3102	Truck, Cargo, MJ, with 3T Crane
2320-99-893-6683	2037-8100	Truck, Cargo, MJ, with 3T Crane
2330-99-893-7634	2025-8102	Truck, GS, Cargo, MJ
2320-99-893-6137	2091-3100	Truck, Flat Platform, MJ
2320-99-908-6850	2091-3105	Truck, Flat Platform, MJ
2320-99-908-6852	2091-3106	Truck, Flat Platform, MJ
2320-99-893-7637	2091-8101	Truck, Flat Platform, MJ
2320-99-893-6138	2091-8100	Truck, Flat Platform, MJ
2320-99-908-6851	2091-8105	Truck, Flat Platform, MJ
2320-99-908-6852	2091-8106	Truck, Flat Platform, MJ
2320-99-908-6863	2091-8107	Truck, Flat Platform, MJ
2320-99-893-8002	2092-3100	Truck, Flat Platform, MJ, Winterised
2320-99-908-6865	2092-3102	Truck, Flat Platform, MJ, Winterised
2320-99-908-6866	2092-3103	Truck, Flat Platform, MJ, Winterised
2320-99-893-7676	2095-3101	Truck, Flat Platform, MJ, with Winch
2320-99-893-7677	2095-8101	Truck, Flat Platform, MJ, with Winch
2320-99-893-7591	2096-4100	Truck, Flat Platform, MJ, FFR with Winch
2320-99-893-7258	2205-3101	Truck, UBRE, MJ, Winterised

RELATED AND ASSOCIATED PUBLICATIONS

Related publications

12 The Octad for the subject equipment consists of the publications shown below. All references are prefixed with the first eight digits of this publication. The availability of the publications can be checked by reference to the relevant Group Index (see AESP 0100-A-001-013).

Category/Sub-category			Information Level			
			1 User/ Operator	2 Unit Maintenance	3 Field Maintenance	4 Base Maintenance
1	0	Purpose and Planning Information	*	*	*	*
	1	Equipment Support Policy Directive	101	101	101	101
2	0	Operating Information	201	*	*	*
	1	Aide-Memoiré	*	*	*	*
	2	Training Aids	*	*	*	*
3		Technical Description	*	302	302	302
4	1	Installation Instructions	*	*	*	*
	2	Preparation for Special Environments	*	*	*	*
5	1	Failure Diagnosis	*	512	512	512
	2	Maintenance Instructions	*	522	522	522
	3	Inspection Standards	*	532	532	532
	4	Calibration Procedures	*	*	*	*
6		Maintenance Schedule	601	601	601	601
7	1	Illustrated Parts Catalogue	711	711	711	711
	2	Commercial Parts List	721	721	721	721
	3	Complete Equipment Schedule, Production	*	*	*	*
	4	Complete Equipment Schedule, Service Edition (Simple Equipment)	741	741	741	741
	5	Complete Equipment Schedule, Service Edition (Complex Equipment)	*	*	*	*
8	1	Modification Instructions	811	811	811	811
	2	General Instructions, Special Technical Instructions and Servicing Instructions	821	821	821	821
	3	Service Engineered Modification Instructions (RAF only)	*	*	*	*

* Category/sub-category not published

Associated publications

13 There are no associated publications applicable to this category.

ABBREVIATIONS AND SYMBOLS**ABBREVIATIONS**

8 The following abbreviations are used in this category:

A	Ampere
Ac	Alternating Current
AESP	Army Equipment Support Publication
A/F	Across flats
Ah	Ampere Hour
ANC	American National Coarse Thread
ANF	American National Fine Thread
A/R	As required
assy	Assembly
BA	British Association Screw Thread
BC	Bayonet Cap
BFPO	British Forces Post Office
BSF	British Standard Fine Thread
BSP	British Standard Pipe Thread
BSW	British Standard Whitworth Thread
C	Celsius (Centigrade)
cc	cubic centimetre
c to c	centre to centre
CI	Cast Iron
circ	circumference
contd	continued
cres	corrosion resistant steel
c/s	cycles per second
csk	countersunk
Cu	Copper
Cu in.	Cubic inch(es)
c/w	complete with
dc	direct current
deg	degree(s)
DGS&E	Director General Safety and Engineering
dia	diameter
dim.	dimension(s)
DIN	Defence Instructions and Notices
eng	engine
ext	external
F	Fahrenheit
FRACAS	Failure Reporting Analysis and Corrective Action System
ft	foot (feet)
gal	gallon
GSV IPT	General Service Vehicles Integrated Project Team

h	height
hd	head
hex	hexagon
ht	high tension
Hz	Hertz
id	inside diameter
in.	inch(s)
int	internal
IPC	Illustrated Parts Catalogue
JSP	Joint Services Publication
km/h	kilometre per hour
lbf/in. ²	pounds force per square inch
lg	length
lh	left hand
lhd	left hand drive
lm	local manufacture
m	metre
max	maximum
min	minimum
Mk	Mark
mm	millimetre
mph	miles per hour
mtg	mounting
mtl	material
neg	negative
NI	Not Illustrated
NIV	Not In Vocabulary
No.	Number
NP	Not Provisioned
NSN	NATO Stock Number
o/a	overall
od	outside diameter
PCD	Pitch Circle Diameter
PCP	Polychloroprene
pd	Potential Difference
PhosB	Phosphor Bronze
PI	Plated
P/O	Part of
pos	positive
PTFE	Polytetrafluoroethylene
PVC	Polyvinyl Chloride
qty	quantity
RAF	Royal Air Force
ref	reference
rev/min	revolutions per minute
rhd	right hand drive
sect	section
SI	Systems International
sq	square
SOP	Standard Operating Procedures

std	standard
SWL	Safe Working load
syn	synthetic
temp	temperature
TIG	Technical Information Group
thd	thread
thk	thick
tpi	threads per inch
UK	United Kingdom
UNC	Unified Coarse Thread
UNF	Unified Fine Thread
UNS	Unified Special Thread
u/o	used on
u/w	used with
V	Volt
veh	vehicle(s)
W	Watt
w/	with
w/o	without
Whit	Whitworth
Zn	Zinc

SYMBOLS

14 The following symbol is applicable to this category:

%	Percent
---	---------

CHAPTER 1
GENERAL INFORMATION
CONTENTS

	Page
Frontispiece.....	1/2

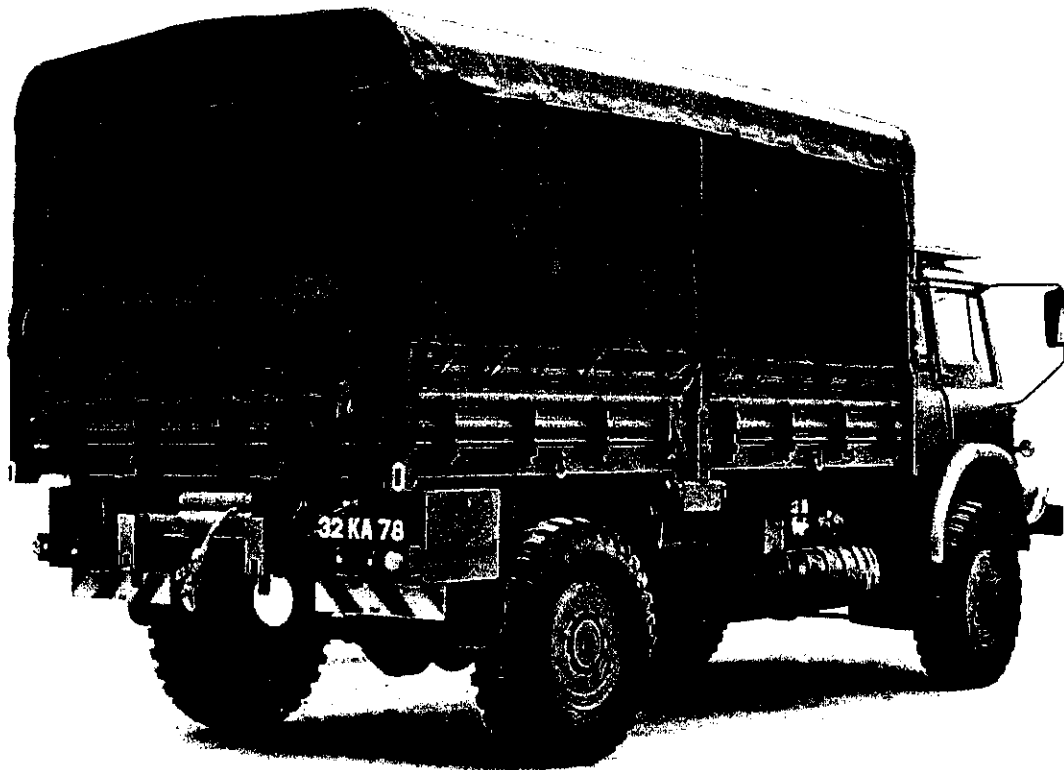


Fig 1 Truck, 4 tonne Bedford MJ

CHAPTER 2-0

COMPLETE EQUIPMENT SCHEDULE (SERVICE)

SIMPLE EQUIPMENT

TRUCK, 4 TONNE BEDFORD MJ, ALL VARIANTS

CONTENTS

Chapter

- 2-1 Truck, GS Cargo
- 2-2 Truck Cargo with Winch
- 2-3 Truck Flat Platform with 3T Crane
- 2-4 Truck GS with 3T Crane - Armament Support
- 2-5 Truck, Flat Platform
- 2-6 Truck, UBRE
- 2-7 Truck, Flat Platform with Winch

Page Intentionally Left Blank - No Illustration

CES

Fig. No Item No	DMC NSCM	Army NSN Part Number	Item Description and Annotations	Asset Code
NI 1		2320-99-893-5954	TRUCK GS CARGO 4T BEDFORD MJ (Refer to Chap 2-1)	2025-3100
NI 2		2320-99-893-6142	TRUCK GS CARGO 4T BEDFORD MJ LHD (Refer to Chap 2-1)	2025-8100
NI 3		2320-99-893-6565	TRUCK GS CARGO 4T WINTERISED BEDFORD MJ (Refer to Chap 2-1)	2026-3100
NI 4		2320-99-893-6644	TRUCK GS CARGO 4T BEDFORD MJ (Refer to Chap 2-1)	2025-8101
NI 5		2320-99-893-7634	TRUCK, GS CARGO 4T BEDFORD (Refer to Chap 2-1)	2025-8102
NI 6		2320-99-893-6141	TRUCK CARGO 4T W/WINCH BEDFORD MJ (Refer to Chap 2-2)	2050-3100
NI 7		2320-99-893-6143	TRUCK CARGO 4T W/WINCH BEDFORD MJ (Refer to Chap 2-2)	2050-8100
NI 8		2320-99-893-6581	TRUCK CARGO 4T W/WINCH BEDFORD MJ (Refer to Chap 2-2)	2053-3100
NI 9		2320-99-893-6921	TRUCK CARGO 4T W/WINCH BEDFORD MJ (Refer to Chap 2-2)	2096-8100
NI 10		2320-99-893-6671	TRUCK FLAT PLATFORM 4T W/3T CRANE BEDFORD MJ (Refer to Chap 2-3)	2094-3100
NI 11		2320-99-893-6922	TRUCK FLAT PLATFORM 4T W/3T CRANE BEDFORD MJ LHD (Refer to Chap 2-3)	2094-8100
NI 12		2320-99-893-6146	TRUCK GS 4T W/3T CRANE ARMAMENT SUPPORT BEDFORD MJ (Refer to Chap 2-4)	2038-3100
NI 13		2320-99-893-6147	TRUCK GS 4T W/3T CRANE ARMAMENT SUPPORT BEDFORD MJ LHD (Refer to Chap 2-4)	2038-8100
NI 14		2320-99-893-6148	TRUCK CARGO 4T W/3T CRANE AIR PORTABLE FUEL CARRIER BEDFORD MJ (Refer to Chap 2-4)	2039-3100
NI 15		2320-99-893-8006	TRUCK CARGO 4T W/3T CRANE WINTERISED BEDFORD WJ (Refer to Chap 2-4)	2043-3101
NI 16		2320-99-893-6328	TRUCK, CARGO 4T W/3T CRANE (Refer to Chap 2-4)	2037-3102
NI 17		2320-99-893-6683	TRUCK, CARGO 4T W/3T CRANE (Refer to Chap 2-4)	2037-8100
NI 18		2320-99-893-6137	TRUCK, FLAT PLATFORM 4T (Refer to Chap 2-5)	2091-3100

Page Intentionally Left Blank - No Illustration

CES

Fig. No Item No	DMC NSCM	Army NSN Part Number	Item Description and Annotations	Asset Code
NI 19		2320-99-908-6850	TRUCK FLAT PLATFORM 4T (Refer to Chap 2-5)	2091-3105
NI 20		2320-99-908-6852	TRUCK FLAT PLATFORM 4T (Refer to Chap 2-5)	2091-3106
NI 21		2320-99-893-6138	TRUCK FLAT PLATFORM 4T (Refer to Chap 2-5)	2091-8100
NI 22		2320-99-893-7637	TRUCK FLAT PLATFORM 4T (Refer to Chap 2-5)	2091-8101
NI 23		2320-99-908-6851	TRUCK FLAT PLATFORM 4T (Refer to Chap 2-5)	2091-8105
NI 24		2320-99-908-6852	TRUCK FLAT PLATFORM 4T (Refer to Chap 2-5)	2091-8106
NI 25		2320-99-908-6863	TRUCK FLAT PLATFORM 4T (Refer to Chap 2-5)	2091-8107
NI 26		2320-99-893-8002	TRUCK FLAT PLATFORM 4T WINTERISED (Refer to Chap 2-5)	2092-3100
NI 27		2320-99-908-6865	TRUCK FLAT PLATFORM 4T WINTERISED (Refer to Chap 2-5)	2092-3102
NI 28		2320-99-908-6866	TRUCK FLAT PLATFORM 4T WINTERISED (Refer to Chap 2-5)	2092-3103
NI 29		2320-99-893-7258	TRUCK UBRE 4T WINTERISED (Refer to Chap 2-6)	2205-3101
NI 30		2320-99-893-7676	TRUCK FLAT PLATFORM 4T WITH WINCH (Refer to Chap 2-7)	2095-3101
NI 31		2320-99-893-7677	TRUCK FLAT PLATFORM 4T WITH WINCH (Refer to Chap 2-7)	2095-8101
NI 32		2320-99-893-7591	TRUCK FLAT PLATFORM 4T WITH WINCH WINTERISED (Refer to Chap 2-7)	2096-4100

CHAPTER 2-1

COMPLETE EQUIPMENT SCHEDULE (SERVICE)

TRUCK, GS CARGO

CONTENTS

Chapter

- 2-1-1 Fitted items
- 2-1-2 Loose items
- 2-1-3 Tools
- 2-1-4 Literature

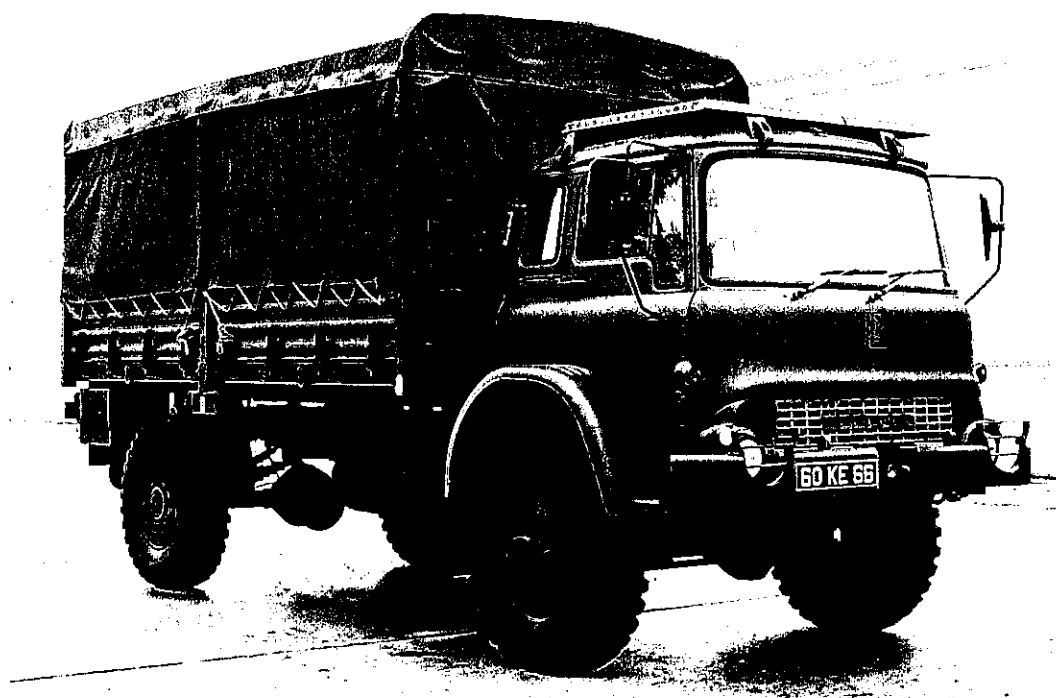


Fig 1 Truck, GS Cargo

CES

Fig. No Item No	DMC NSCM	Army NSN Part Number	Item Description and Annotations	Asset Code
1				
1		2320-99-898-5954	TRUCK, GS CARGO 4T	2025-3100
NI 2		2320-99-893-6142	TRUCK, GS CARGO, LHD	2025-8100
NI 3		2320-99-893-6565	TRUCK, GS CARGO, WINTERISED	2026-3100
NI 4		2320-99-893-6644	TRUCK, GS CARGO	2025-8101
NI 5		2320-99-893-7634	TRUCK, GS CARGO	2025-8102
NI 6		NIV	. FITTED ITEMS (See Chap 2-1-1)	
NI 7		NIV	. LOOSE ITEMS (See Chap 2-1-2)	
NI 8		NIV	. TOOLS (See Chap 2-1-3)	
NI 9		NIV	. LITERATURE (See Chap 2-1-4)	

CHAPTER 2-1-1
TRUCK, GS CARGO
FITTED ITEMS

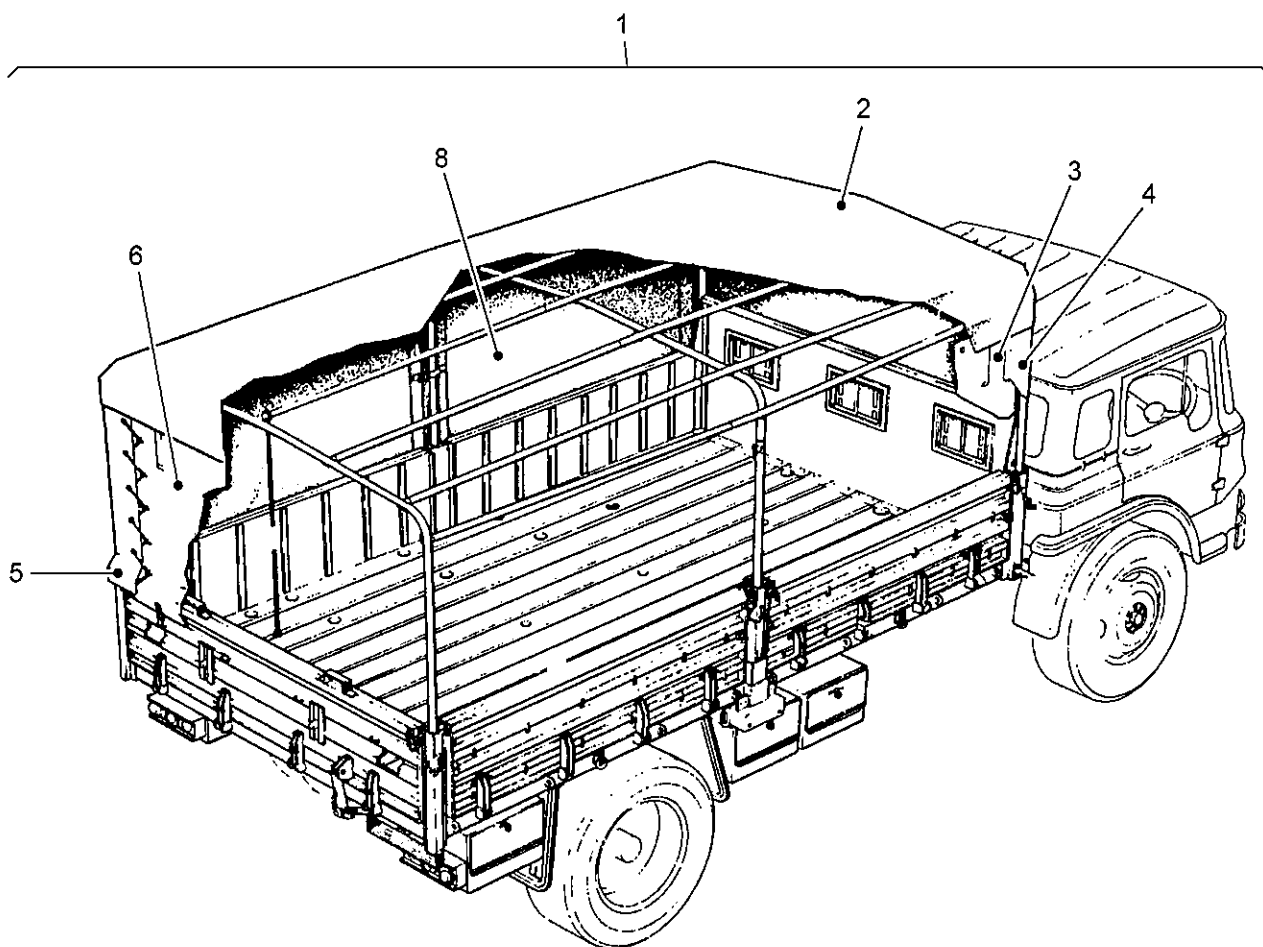


Fig 1 Fitted items

CES

Fig. No Item No	DMC NSCM	Army NSN Part Number	Item Description and Annotations	No Off D of Q	Quantity on Issue
1					
NI 0			FITTED ITEMS	REF	
1	7BD	2540-99-820-2756	. CANOPY ASSEMBLY	1 EA	
2	7BD	2540-99-812-9254	.. CANOPY SHEET VEHICULAR	1 EA	
3	7BD	2540-99-820-2755	.. CANOPY SIDE FRONT RH	1 EA	
4	7BD	2540-99-820-2757	.. CANOPY FRONT C/W WINDOWS	1 EA	
5	7BD	2540-99-812-9256	.. CANOPY SHEET VEHICULAR LH REAR	1 EA	
6	7BD	2540-99-812-9249	.. CANOPY REAR SHEET	1 EA	
NI 7	7BD	2540-99-812-9247	.. CANOPY SHEET VEHICULAR RH REAR	1 EA	
8	7BD	2540-99-820-2754	.. CANOPY SIDE FRONT LH	1 EA	
NI 9	6MT1	4210-99-839-9904	. BRACKET - FIRE EXTINGUISHER 2 KG	2 EA	
NI 10	6MT1	4210-99-998-3537	. FIRE EXTINGUISHER - 2 KG	2 EA	
NI 11	6MT3	2540-99-852-5383	. MIRROR ASSY - REAR VIEW - OUTSIDE MOUNTING	2 EA	

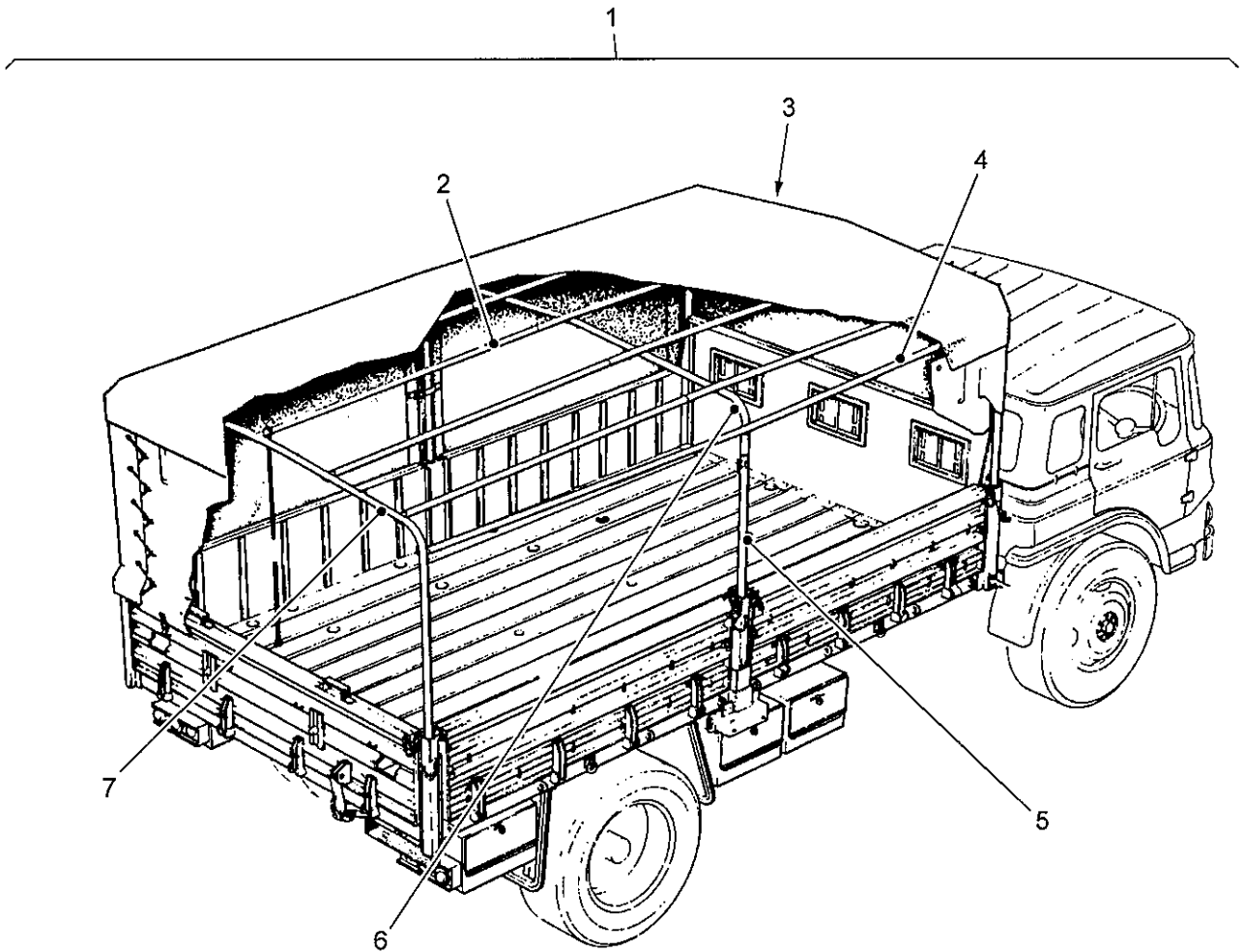


Fig 2 Fitted items

CES

Fig. No Item No	DMC NSCM	Army NSN Part Number	Item Description and Annotations	No Off D of Q	Quantity on Issue
2					
NI 0			FITTED ITEMS	REF	
1	7BD	2540-99-823-3648	. RAIL ASSEMBLY SET - CANOPY	1 EA	
2	7BD	2540-99-812-9624	.. RAIL LONGITUDINAL	7 EA	
3	7BD	2540-99-812-9255	.. RAIL HOOP FRONT	1 EA	
4	7BD	2540-99-812-9341	.. RAIL LONGITUDINAL	7 EA	
5	7BD	2540-99-812-9340	.. RAIL VERTICAL STICK	2 EA	
6	7BD	2540-99-812-9256	.. RAIL, HOOP, UPPER CENTRE	1 EA	
7	7BD	2540-99-812-9623	.. RAIL, HOOP, REAR	1 EA	

CHAPTER 2-1-2
TRUCK, GS CARGO
LOOSE ITEMS

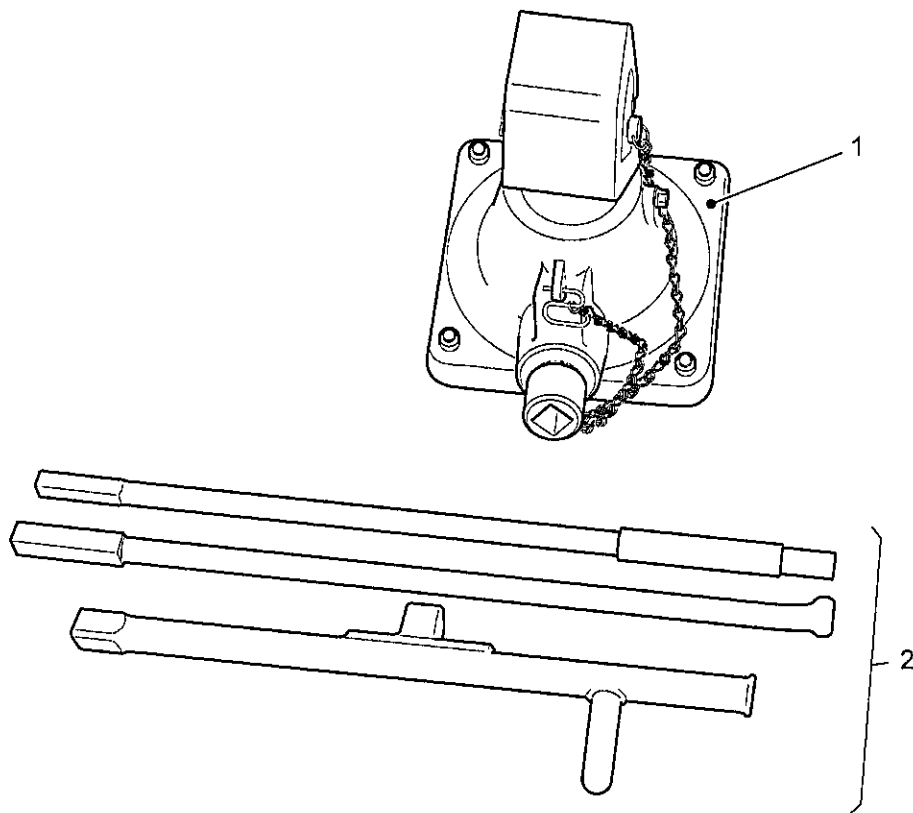


Fig 1 Loose items

CES

Fig. No Item No	DMC NSCM	Army NSN Part Number	Item Description and Annotations	No Off D of Q	Quantity on Issue
1					
NI 0		NIV	LOOSE ITEMS	REF	
1	6MT1	5120-99-135-5737	. JACK, SCREW, HAND LIFTING	1 EA	
2	7BD	2540-99-822-1403	. CRANK, HAND, SCREW JACK	1 EA	
NI 3	H5	1080-99-127-8180	. CAM NET - SUPPORT CAMOUFLAGE NET 1.25 M	30 EA	
NI 4	H5	1080-99-120-6114	.. CAM NET - CAP - CAMOUFLAGE NET SUPPORT	10 EA	
NI 5	H5	1080-99-136-9444	.. CAM NET - CAP - CAMOUFLAGE NET SUPPORT	10 EA	
NI 6	J11	8340-99-132-0028	.. CAM NET - PIN - TENT 12 IN.	10 EA	
NI 7	7BD	2530-99-881-8312	. WHEEL ASSEMBLY - WHEEL - 8.00 X 20	1 EA	
NI 8	6MT14	2610-99-815-1936	.. WHEEL ASSEMBLY - INNER TUBE 12.00	1 EA	
NI 9	6MT14	2610-99-829-9107	.. WHEEL ASSEMBLY - TYRE 12.00 X 20 14PR	1 EA	
NI 10	6MT14	2610-99-942-6887	.. WHEEL ASSEMBLY - FLAP	1 EA	
NI 11	6MT1	4720-99-613-9349	. HOSE ASSEMBLY, TYRE INFLATOR	1 EA	

CHAPTER 2-1-3
TRUCK, GS CARGO
TOOLS

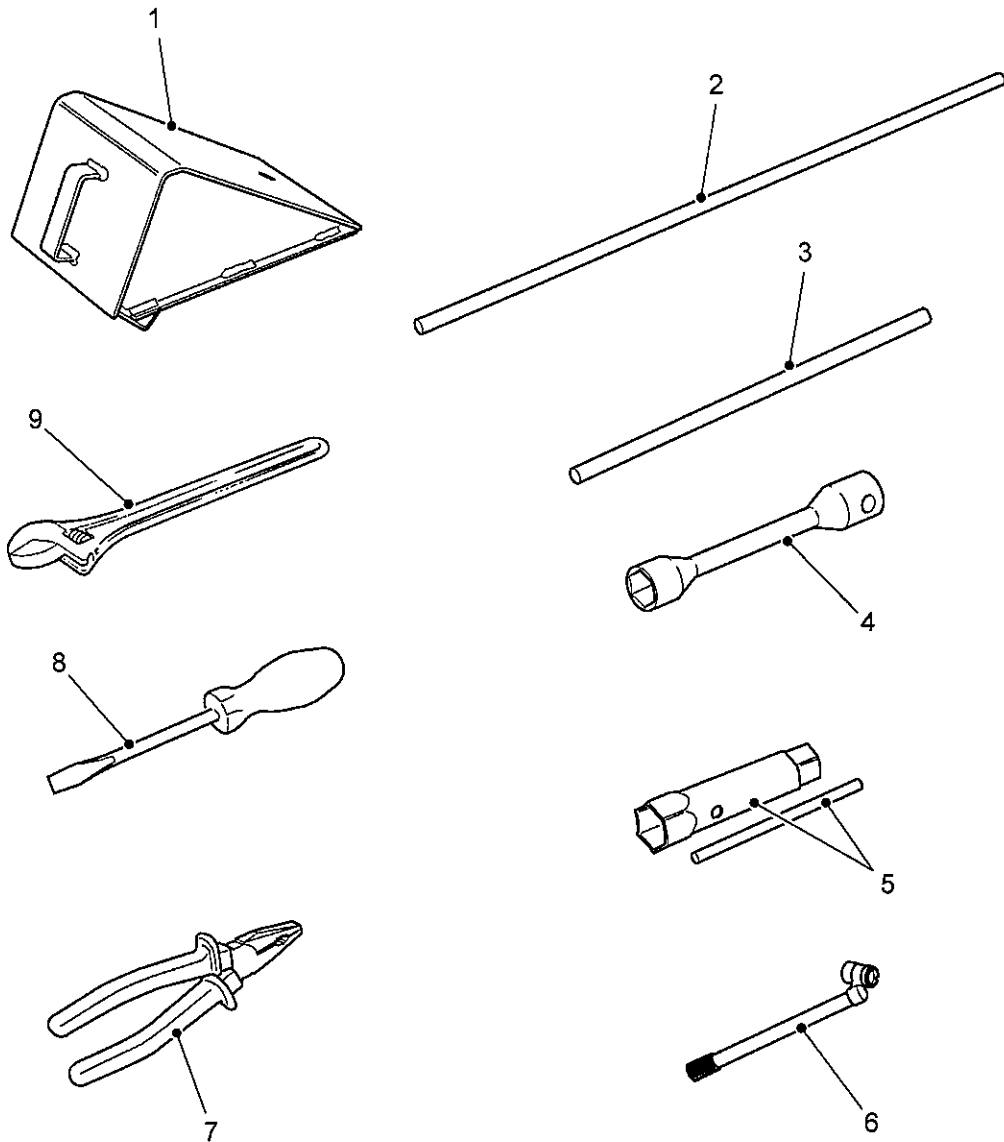


Fig 1 Tools

CES

Fig. No Item No	DMC NSCM	Army NSN Part Number	Item Description and Annotations	No Off D of Q	Quantity on Issue
1					
0		NIV	TOOLS AND ACCESSORIES	REF	
1	6MT1	2540-99-212-7006	. CHOCK - WHEEL TRACK 200 MM (ADR VEHICLES ONLY)	2 EA	
2	F1	5120-99-136-6308	. TOMMY BAR - 12 MM X 1 M	1 EA	
3	F1	5120-99-811-0739	. TOMMY BAR (FOR USE WITH ITEM 4)	1 EA	
4	WTE	5120-99-942-6901	. SPANNER, BOX, 7/8 IN. BSF	1 EA	
5	6MT2	5120-99-120-5567	. SPANNER, BOX, 3/4 IN. X 5/8 IN. C.W. TOMMY BAR	1 EA	
6	WTE	4910-99-807-0183	. GAUGE - TYRE PRESSURE	1 EA	
7	F1	5120-99-910-5525	. PLIERS - SIDE CUTTING - 6 IN.	1 EA	
8	F1	5120-99-136-5590	. SCREWDRIVER - FLAT - 200 MM LG	1 EA	
9	F1	5120-99-910-5964	. WRENCH - ADJUSTABLE - 8 IN.	1 EA	
NI 10	G1	5340-99-910-8185	. PADLOCK	3 EA	
NI 11	7BD	5120-99-729-6693	. HEATER BLEED KEY (WINTERISED ONLY)	1 EA	

CHAPTER 2-1-4
TRUCK, GS CARGO
LITERATURE

Page Intentionally Left Blank - No Illustration

CES

Fig. No Item No	DMC NSCM	Army NSN Part Number	Item Description and Annotations	No Off D of Q	Quantity on Issue
NI 0			LITERATURE	REF	
NI 1		2320-H-100-201	. OPERATORS MANUAL	1 EA	
NI 2		2320-H-100-601	. MAINTENANCE SCHEDULE	1 EA	
NI 3		FMT 1000	. VEHICLE RECORD BOOK	1 EA	

CHAPTER 2-2

COMPLETE EQUIPMENT SCHEDULE (SERVICE)

SIMPLE EQUIPMENT

TRUCK, CARGO WITH WINCH

CONTENTS

Chapter

- 2-2-1 Fitted items
- 2-2-2 Loose items
- 2-2-3 Tools
- 2-2-4 Literature

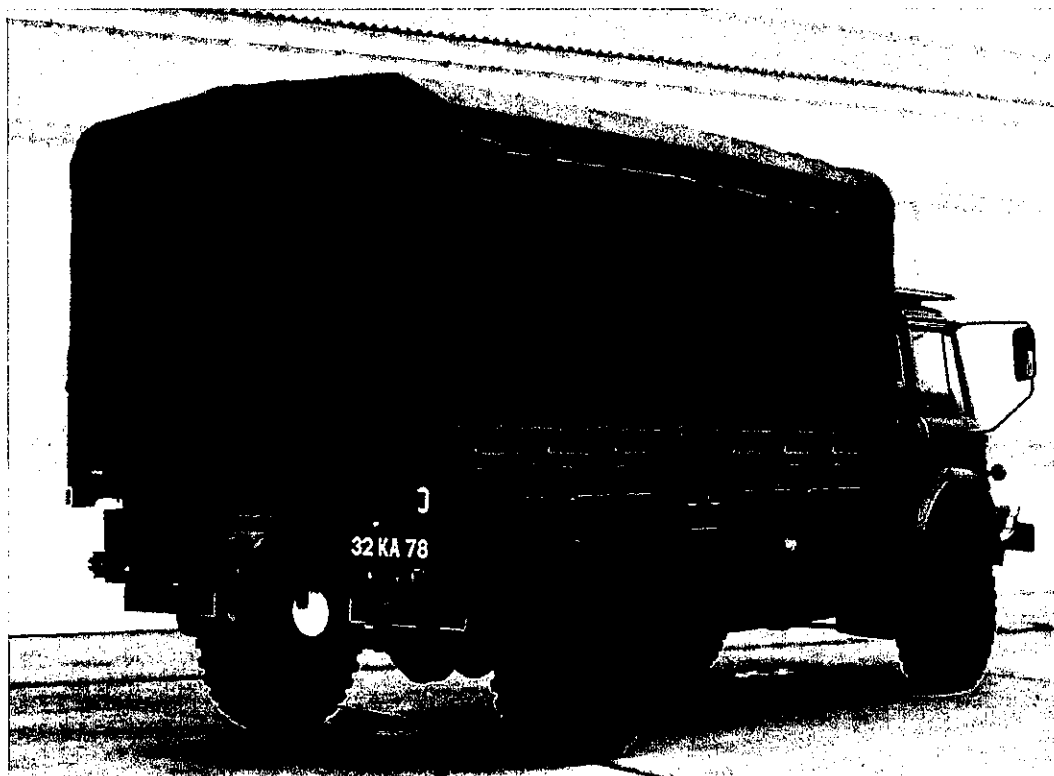


Fig 1 Truck, Cargo, with winch

CES

Fig. No Item No	DMC NSCM	Army NSN Part Number	Item Description and Annotations	Asset Code
1				
1		2320-99-893-6141	TRUCK, CARGO 4T, WITH WINCH	2050-3100
NI 2		2320-99-893-6143	TRUCK, CARGO 4T, WITH WINCH, LHD	2050-8100
NI 3		2320-99-893-6581	TRUCK, CARGO 4T, WITH WINCH	2053-3100
NI 4		2320-99-893-6921	TRUCK, CARGO 4T, WITH WINCH	2096-8100
NI 5		NIV	. FITTED ITEMS (see Chap 2-2-1)	
NI 6		NIV	. LOOSE ITEMS (see Chap 2-2-2)	
NI 7		NIV	. TOOLS (see Chap 2-2-3)	
NI 8		NIV	. LITERATURE (see Chap 2-2-4)	

CHAPTER 2-2-1
TRUCK, CARGO WITH WINCH
FITTED ITEMS

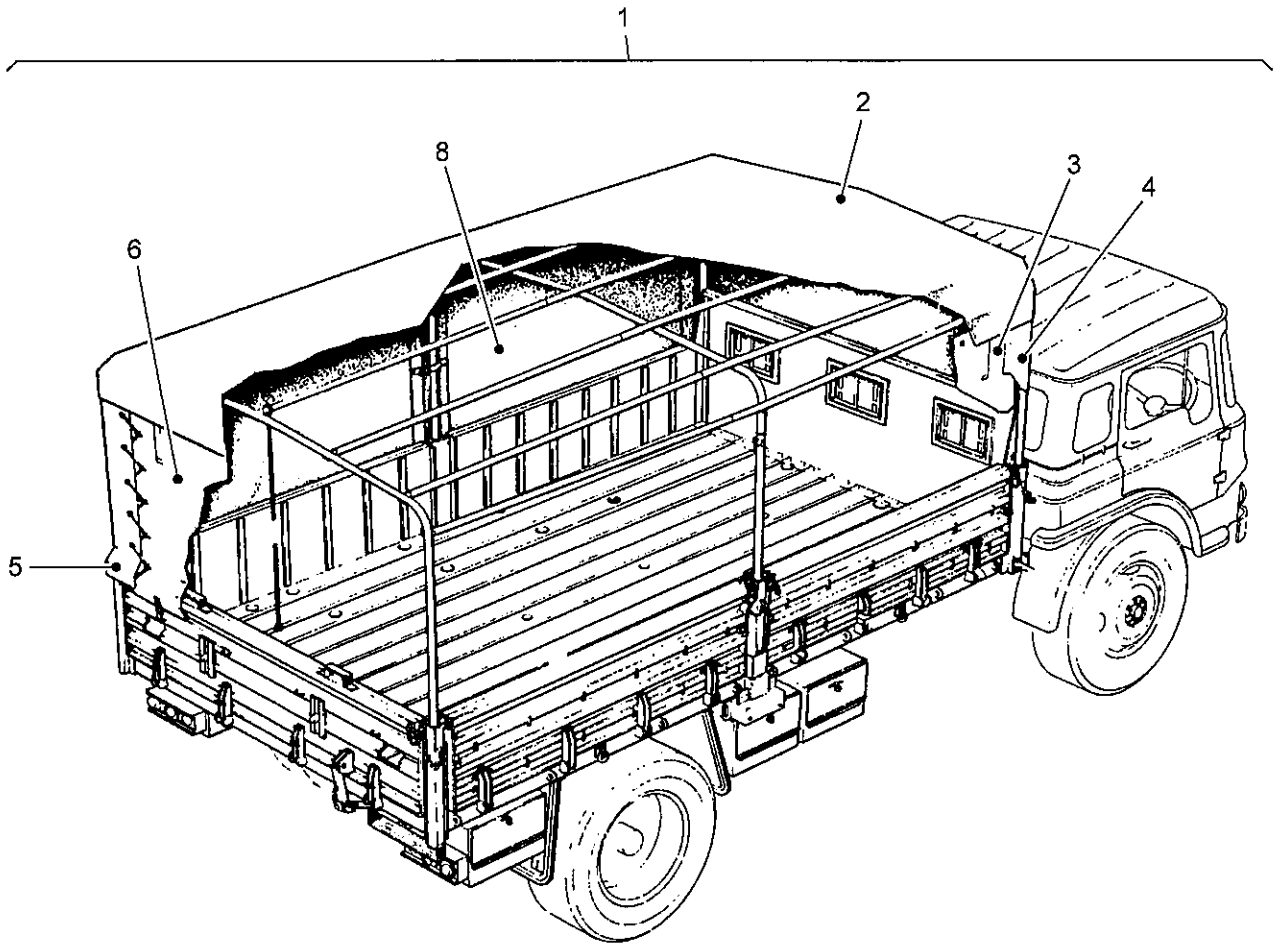


Fig 1 Fitted items

CES

Fig. No Item No	DMC NSCM	Army NSN Part Number	Item Description and Annotations	No Off D of Q	Quantity on Issue
1					
NI 0			FITTED ITEMS	REF	
1	7BD	2540-99-820-2756	. CANOPY ASSEMBLY	1 EA	
2	7BD	2540-99-812-9254	.. CANOPY SHEET VEHICULAR	1 EA	
3	7BD	2540-99-820-2755	.. CANOPY SIDE FRONT RH	1 EA	
4	7BD	2540-99-820-2757	.. CANOPY FRONT C/W WINDOWS	1 EA	
5	7BD	2540-99-812-9256	.. CANOPY SHEET VEHICULAR LH REAR	1 EA	
6	7BD	2540-99-812-9249	.. CANOPY REAR SHEET	1 EA	
NI 7	7BD	2540-99-812-9247	.. CANOPY SHEET VEHICULAR RH REAR	1 EA	
8	7BD	2540-99-820-2754	.. CANOPY SIDE FRONT LH	1 EA	
NI 9	46MT1	4210-99-881-7335	. BRACKET - FIRE EXTINGUISHER 2 KG	2 EA	
NI 10	6BCF	4210-99-881-4724	. FIRE EXTINGUISHER - 2 KG	2 EA	
NI 11	6MT3	2540-99-852-5383	. MIRROR ASSY - REAR VIEW	2 EA	
NI 12	Z9BAT	6140-99-219-2903	. BATTERY, SECONDARY (APPLICABLE TO FFR VEHICLES ONLY)	2 EA	

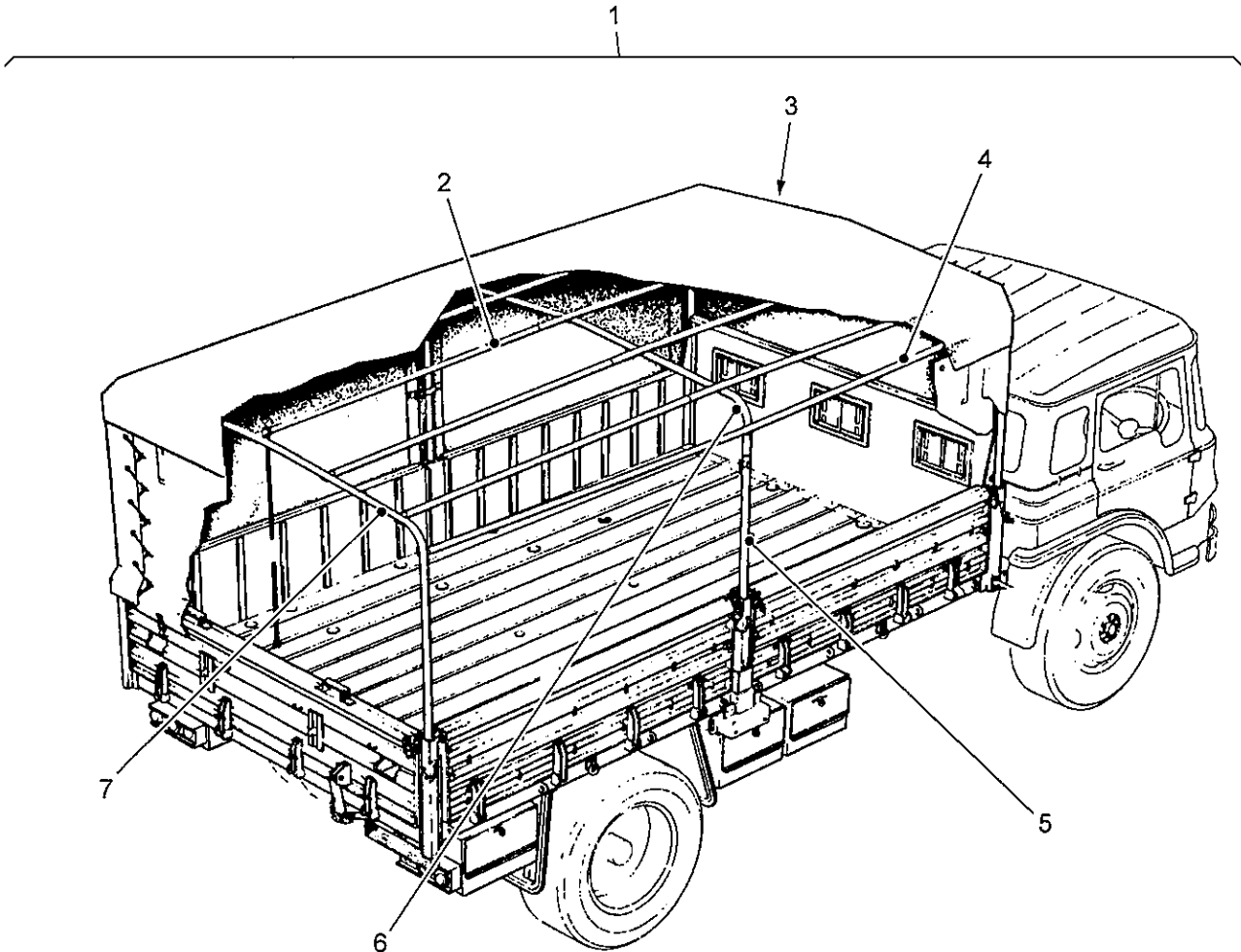


Fig 2 Fitted items

CES

Fig. No Item No	DMC NSCM	Army NSN Part Number	Item Description and Annotations	No Off D of Q	Quantity on Issue
2					
NI 0			FITTED ITEMS	REF	
1	7BD	2540-99-823-3648	. RAIL ASSEMBLY SET - CANOPY	1 EA	
2	7BD	2540-99-812-9624	.. RAIL LONGITUDINAL	7 EA	
3	7BD	2540-99-812-9255	.. RAIL HOOP FRONT	1 EA	
4	7BD	2540-99-812-9341	.. RAIL LONGITUDINAL	7 EA	
5	7BD	2540-99-812-9340	.. RAIL VERTICAL STICK	2 EA	
6	7BD	2540-99-812-9256	.. RAIL, HOOP, UPPER CENTRE	1 EA	
7	7BD	2540-99-812-9623	.. RAIL, HOOP, REAR	1 EA	

CHAPTER 2-2-2
TRUCK, CARGO WITH WINCH
LOOSE ITEMS

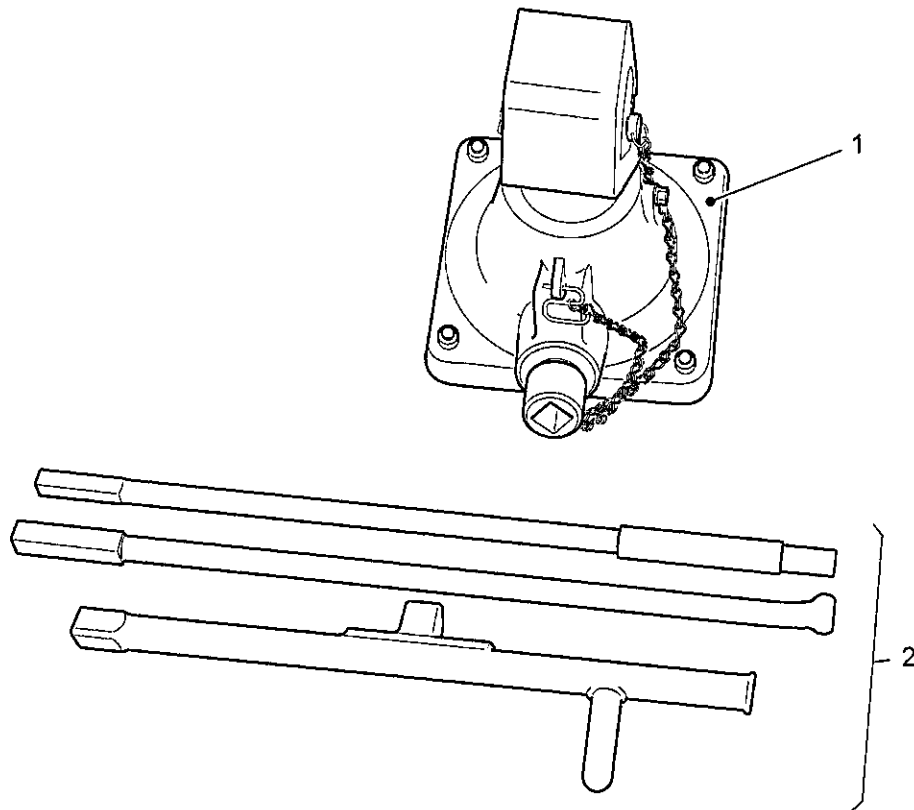


Fig 1 Loose items

CES

Fig. No Item No	DMC NSCM	Army NSN Part Number	Item Description and Annotations	No Off D of Q	Quantity on Issue
1					
NI 0		NIV	LOOSE ITEMS	REF	
1	6MT1	5120-99-135-5737	. JACK, SCREW, HAND LIFTING	1 EA	
2	7BD	2540-99-822-1403	. CRANK, HAND, SCREW JACK	1 EA	
NI 3	H5	1080-99-127-8180	. CAM NET - SUPPORT CAMOUFLAGE NET 1.25 M	30 EA	
NI 4	H5	1080-99-120-6114	.. CAM NET - CAP - CAMOUFLAGE NET SUPPORT	10 EA	
NI 5	H5	1080-99-136-9444	.. CAM NET - CAP - CAMOUFLAGE NET SUPPORT	10 EA	
NI 6	J11	8340-99-132-0028	.. CAM NET - PIN - TENT 12 IN.	10 EA	
NI 7	7BD	2530-99-881-8312	. WHEEL ASSEMBLY - WHEEL - 8.00 X 20	1 EA	
NI 8	6MT14	2610-99-815-1936	.. WHEEL ASSEMBLY - INNER TUBE 12.00	1 EA	
NI 9	6MT14	2610-99-829-9107	.. WHEEL ASSEMBLY - TYRE 12.00 X 20 14PR	1 EA	
NI 10	6MT14	2610-99-942-6887	.. WHEEL ASSEMBLY - FLAP	1 EA	
NI 11	CH	8415-99-975-7272	. GLOVES - LEATHER	2 EA	
NI 12	7BD	2540-99-739-7404	. SCOTCH	2 EA	
NI 13	E3	4030-99-960-4361	. SHACKLE - 5 TN 15 CWT	2 EA	
NI 14	E3	3940-99-201-3027	. SLING - 3 FT 6 IN.	3 EA	
NI 15	7BD	4010-99-805-5214	. WIRE ROPE - 19 MM X 17 FT T IN.	1 EA	
NI 16	7BD	2540-99-807-3064	. WIRE ROPE - 5 FT 6 IN.	2 EA	
NI 17	7BD	2540-99-807-3054	. WIRE ROPE - 5/8 IN. X 7 FT 9 IN.	1 EA	
NI 18	6MT1	4720-99-613-9349	. HOSE ASSEMBLY, TYRE INFLATOR	1 EA	

CHAPTER 2-2-3
TRUCK, CARGO WITH WINCH
TOOLS

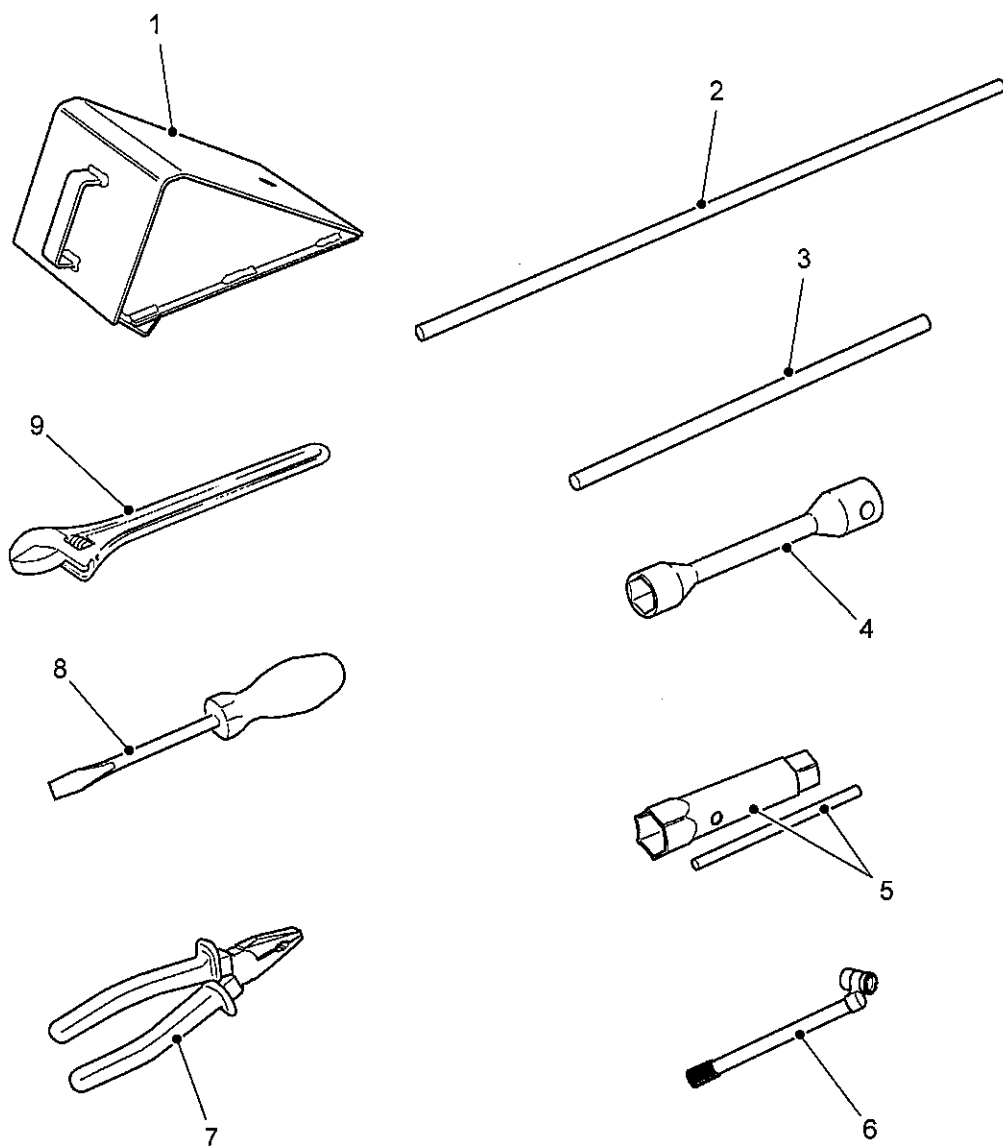


Fig 1 Tools

CES

Fig. No Item No	DMC NSCM	Army NSN Part Number	Item Description and Annotations	No Off D of Q	Quantity on Issue
1					
0		NIV	TOOLS	REF	
1	6MT1	2540-99-212-7006	. CHOCK - WHEEL TRACK 200 MM (ADR VEHICLES ONLY)	2 EA	
2	F1	5120-99-136-6308	. TOMMY BAR - 12 MM X 1 M	1 EA	
3	F1	5120-99-811-0739	. TOMMY BAR (FOR USE WITH ITEM 4)	1 EA	
4	WTE	5120-99-942-6901	. SPANNER, BOX, 7/8 IN. BSF	1 EA	
5	6MT2	5120-99-120-5567	. SPANNER, BOX, 3/4 IN. X 5/8 IN. C.W. TOMMY BAR	1 EA	
6	WTE	4910-99-807-0183	. GAUGE - TYRE PRESSURE	1 EA	
7	F1	5120-99-910-5525	. PLIERS - SIDE CUTTING - 6 IN.	1 EA	
8	F1	5120-99-136-5590	. SCREWDRIVER - FLAT - 200 MM LG	1 EA	
9	F1	5120-99-910-5964	. WRENCH - ADJUSTABLE - 8 IN.	1 EA	
NI 10	G1	5340-99-910-8185	. PADLOCK	3 EA	

CHAPTER 2-2-4
TRUCK, CARGO WITH WINCH
LITERATURE

Page Intentionally Left Blank - No Illustration

CES

Fig. No Item No	DMC NSCM	Army NSN Part Number	Item Description and Annotations	No Off D of Q	Quantity on Issue
NI 0			LITERATURE	REF	
NI 1		2320-H-100-201	. OPERATORS MANUAL	1 EA	
NI 2		2320-H-100-601	. MAINTENANCE SCHEDULE	1 EA	
NI 3		FMT 1000	. VEHICLE RECORD BOOK	1 EA	

CHAPTER 2-3

COMPLETE EQUIPMENT SCHEDULE (SERVICE)

SIMPLE EQUIPMENT

TRUCK, FLAT PLATFORM WITH 3 TONNE CRANE

CONTENTS

Chapter

- 2-3-1 Fitted items
- 2-3-2 Loose items
- 2-3-3 Tools
- 2-3-4 Literature



Fig 1 Truck, Flat Platform, with 3T crane

CES

Fig. No Item No	DMC NSCM	Army NSN Part Number	Item Description and Annotations	Asset Code
1				
1		2320-99-893-6671	TRUCK, FLAT PLATFORM, WITH 3 TONNE CRANE	2094-3100
NI 2		2320-99-893-6922	TRUCK, FLAT PLATFORM, WITH 3 TONNE CRANE	2094-8100
NI 3		NIV	. FITTED ITEMS (see Chap 2-3-1)	
NI 4		NIV	. LOOSE ITEMS (see Chap 2-3-2)	
NI 5		NIV	. TOOLS (see Chap 2-3-3)	
NI 6		NIV	. LITERATURE (see Chap 2-3-4)	

CHAPTER 2-3-1

TRUCK, FLAT PLATFORM WITH 3 TONNE CRANE

FITTED ITEMS

Page Intentionally Left Blank - No Illustration

CES

Fig. No Item No	DMC NSCM	Army NSN Part Number	Item Description and Annotations	No Off D of Q	Quantity on Issue
NI 0			FITTED ITEMS	REF	
NI 1	6MT1	4210-99-839-9904	. BRACKET, FIRE EXTINGUISHING 2 KG	2 EA	
NI 2	6MT1	4210-99-998-3537	. FIRE EXTINGUISHER, 2 KG	2 EA	
NI 3	6MT3	2540-99-852-4383	. MIRROR ASSEMBLY, REAR VIEW	2 EA	
NI 4		2510-99-832-9896	. COVER ASSEMBLY, HIP RING	1 EA	

CHAPTER 2-3-2

TRUCK, FLAT PLATFORM WITH 3 TONNE CRANE

LOOSE ITEMS

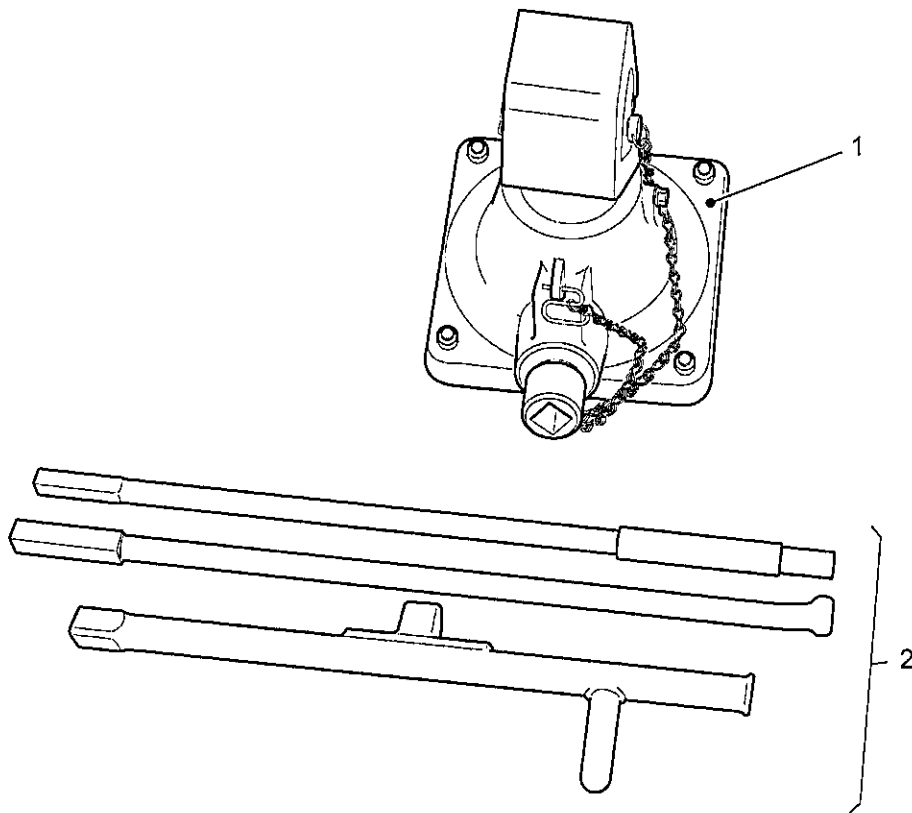


Fig 1 Loose items

CES

Fig. No Item No	DMC NSCM	Army NSN Part Number	Item Description and Annotations	No Off D of Q	Quantity on Issue
1					
NI 0		NIV	LOOSE ITEMS	REF	
1	6MT1	5120-99-135-5737	. JACK, SCREW, HAND LIFTING	1 EA	
2	7BD	2540-99-822-1403	. CRANK, HAND, SCREW JACK	1 EA	
NI 3	7BD	2530-99-881-8312	. WHEEL ASSEMBLY - WHEEL - 8.00 X 20	1 EA	
NI 4	6MT14	2610-99-942-6887	.. WHEEL ASSEMBLY - FLAP	1 EA	
NI 5	6MT14	2610-99-815-1936	.. WHEEL ASSEMBLY - INNER TUBE 12.00	1 EA	
NI 6	6MT14	2610-99-829-9107	.. WHEEL ASSEMBLY - TYRE 12.00 X 20 14PR	1 EA	
NI 7	6MT1	4720-99-613-9349	. HOSE ASSEMBLY, TYRE INFLATOR	1 EA	

CHAPTER 2-3-3

TRUCK, FLAT PLATFORM, WITH 3 TONNE CRANE

TOOLS

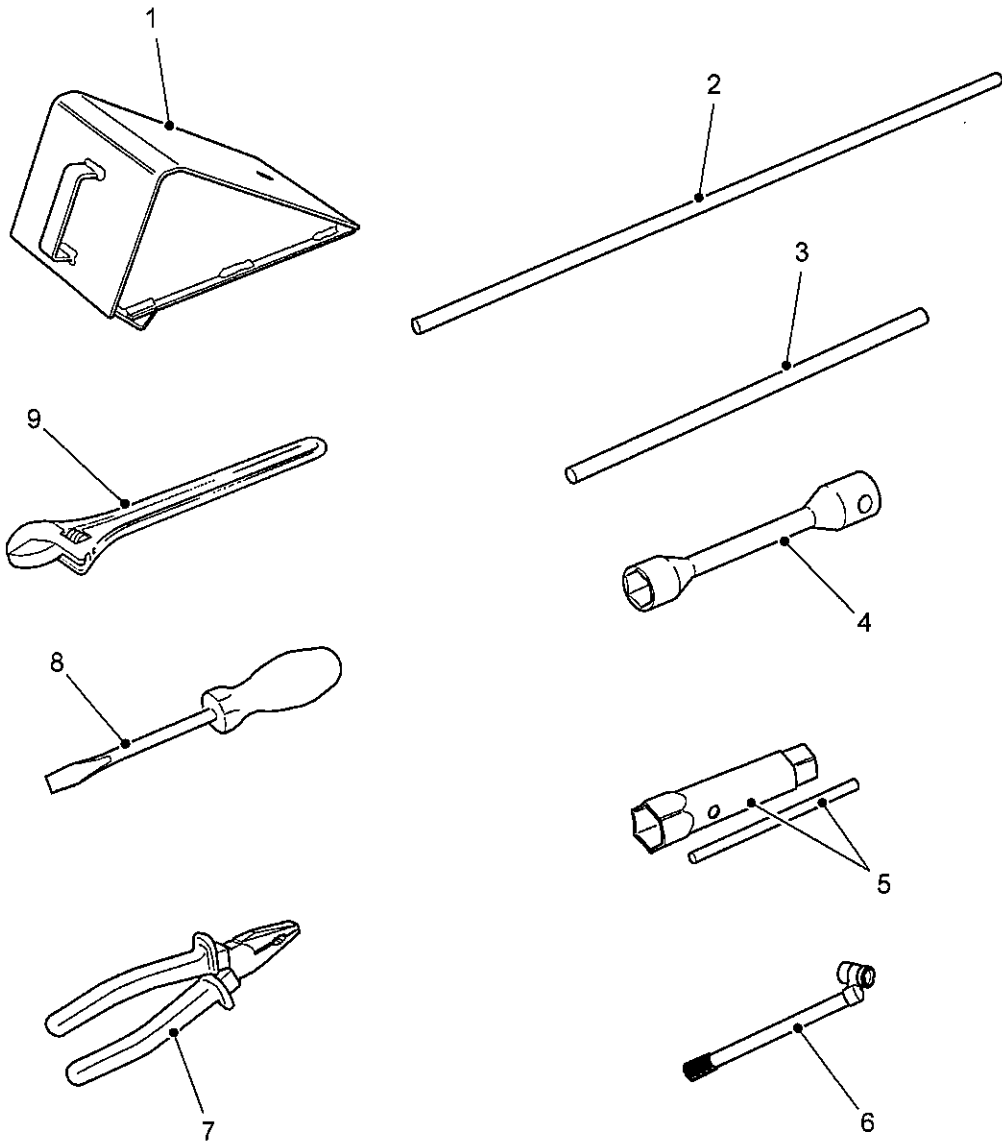


Fig 1 Tools

CES

Fig. No Item No	DMC NSCM	Army NSN Part Number	Item Description and Annotations	No Off D of Q	Quantity on Issue
1					
0		NIV	TOOLS	REF	
1	6MT1	2540-99-212-7006	. CHOCK - WHEEL TRACK 200 MM (ADR VEHICLES ONLY)	2 EA	
2	F1	5120-99-136-6308	. TOMMY BAR - 12 MM X 1 M	1 EA	
3	F1	5120-99-811-0739	TOMMY BAR (FOR USE WITH ITEM 4)	1 EA	
4	WTE	5120-99-942-6901	. SPANNER, BOX, 7/8 IN. BSF	1 EA	
5	6MT2	5120-99-120-5567	. SPANNER, BOX, 3/4 IN. X 5/8 IN. C.W. TOMMY BAR	1 EA	
6	WTE	4910-99-807-0183	. GAUGE - TYRE PRESSURE	1 EA	
7	F1	5120-99-910-5525	. PLIERS - SIDE CUTTING - 6 IN.	1 EA	
8	F1	5120-99-136-5590	. SCREWDRIVER - FLAT - 200 MM LG.	1 EA	
9	F1	5120-99-910-5964	. WRENCH - ADJUSTABLE - 8 IN.	1 EA	
NI 10	G1	5340-99-910-8185	. PADLOCK	3 EA	

CHAPTER 2-3-4
TRUCK, FLAT PLATFORM, WITH 3 TONNE CRANE
LITERATURE

Page Intentionally Left Blank - No Illustration

CES

Fig. No Item No	DMC NSCM	Army NSN Part Number	Item Description and Annotations	No Off D of Q	Quantity on Issue
NI 0			LITERATURE	REF	
NI 1		2320-H-100-201	. OPERATORS MANUAL	1 EA	
NI 2		2320-H-100-601	. MAINTENANCE SCHEDULE	1 EA	
NI 3		FMT 1000	. VEHICLE RECORD BOOK	1 EA	

CHAPTER 2-4

COMPLETE EQUIPMENT SCHEDULE (SERVICE)

SIMPLE EQUIPMENT

TRUCK GS, WITH 3 TONNE CRANE, ARMAMENT SUPPORT

CONTENTS

Chapter

- 2-4-1 Fitted items
- 2-4-2 Loose items
- 2-4-3 Tools
- 2-4-4 Literature



Fig 1 Truck, Cargo, with 3T Crane

CES

Fig. No Item No	DMC NSCM	Army NSN Part Number	Item Description and Annotations	Asset Code
1				
1		2320-99-893-6146	TRUCK GS 4T W/3T CRANE, ARMAMENT SUPPORT	2038-3100
NI 2		2320-99-893-6147	TRUCK GS 4T W/3T CRANE, ARMAMENT SUPPORT (LHD)	2038-8100
NI 3		2320-99-893-6148	TRUCK CARGO 4T W/3T CRANE, AIR PORTABLE FUEL CARRIER	2039-3100
NI 4		2320-99-893-8006	TRUCK CARGO 4T W/3T CRANE WINTERISED	2043-3101
NI 5		2320-99-893-6328	TRUCK, CARGO 4T, WITH 3T CRANE	2037-3102
NI 6		2320-99-893-6683	TRUCK, CARGO 4T, WITH 3T CRANE	2037-8100
NI 7		NIV	. FITTED ITEMS (see Chap 2-4-1)	
NI 8		NIV	. LOOSE ITEMS (see Chap 2-4-2)	
NI 9		NIV	. TOOLS (see Chap 2-4-3)	
NI 10		NIV	. LITERATURE (see Chap 2-4-4)	

CHAPTER 2-4-1

TRUCK GS, WITH 3 TONNE CRANE, ARMAMENT SUPPORT

FITTED ITEMS

Page Intentionally Left Blank - No Illustration

CES

Fig. No Item No	DMC NSCM	Army NSN Part Number	Item Description and Annotations	No Off D of Q	Quantity on Issue
NI 0		NIV	FITTED ITEMS	REF	
NI 1	6MT1	4210-99-839-9904	. BRACKET, FIRE EXTINGUISHING 2 KG	2 EA	
NI 2	6MT1	4210-99-998-3537	. FIRE EXTINGUISHER, 2 KG	2 EA	
NI 3	6MT3	2540-99-852-4383	. MIRROR ASSEMBLY, REAR VIEW	2 EA	

CHAPTER 2-4-2

TRUCK GS, WITH 3 TONNE CRANE, ARMAMENT SUPPORT

LOOSE ITEMS

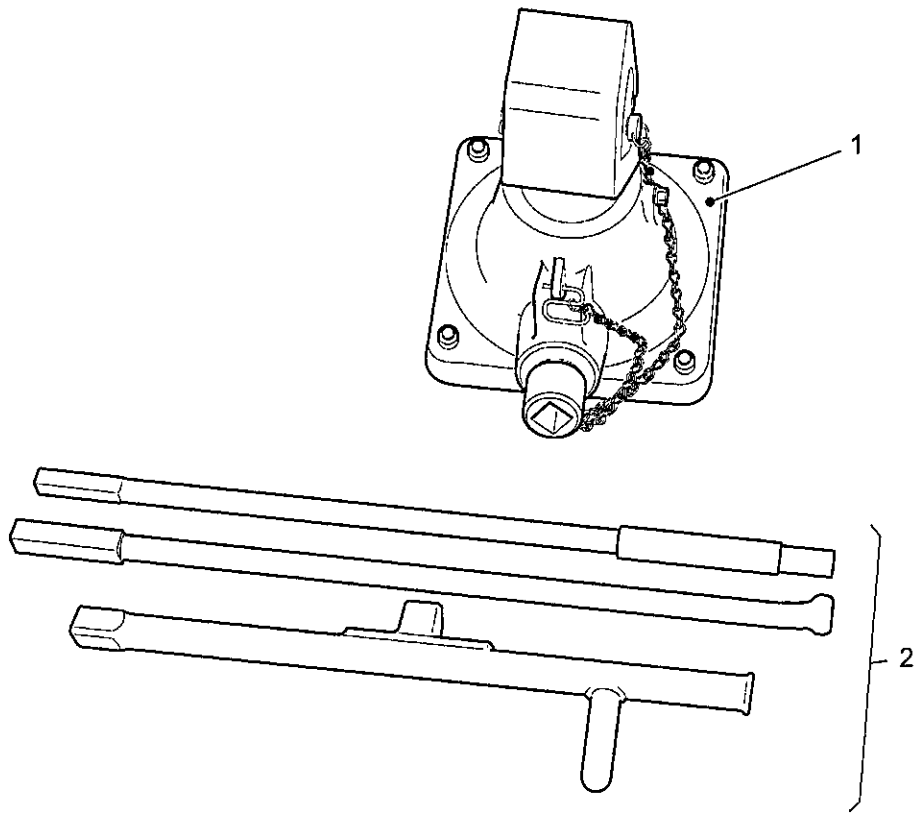


Fig 1 Loose items

CES

Fig. No Item No	DMC NSCM	Army NSN Part Number	Item Description and Annotations	No Off D of Q	Quantity on Issue
1					
NI 0		NIV	LOOSE ITEMS	REF	
1	6MT1	5120-99-135-5737	. JACK, SCREW, HAND LIFTING	1 EA	
2	7BD	2540-99-822-1403	. CRANK, HAND, SCREW JACK	1 EA	
NI 3	7BD	2530-99-881-8312	. WHEEL ASSEMBLY - WHEEL - 8.00 X 20	1 EA	
NI 4	6MT14	2610-99-942-6887	.. WHEEL ASSEMBLY - FLAP	1 EA	
NI 5	6MT14	2610-99-815-1936	.. WHEEL ASSEMBLY - INNER TUBE 12.00	1 EA	
NI 6	6MT14	2610-99-829-9107	.. WHEEL ASSEMBLY - TYRE 12.00 X 20 14PR	1 EA	
NI 7	6MT1	2530-99-910-8185	. HOSE ASSEMBLY, TYRE INFLATOR	1 EA	

CHAPTER 2-4-3

TRUCK GS, WITH 3 TONNE CRANE, ARMAMENT SUPPORT

TOOLS

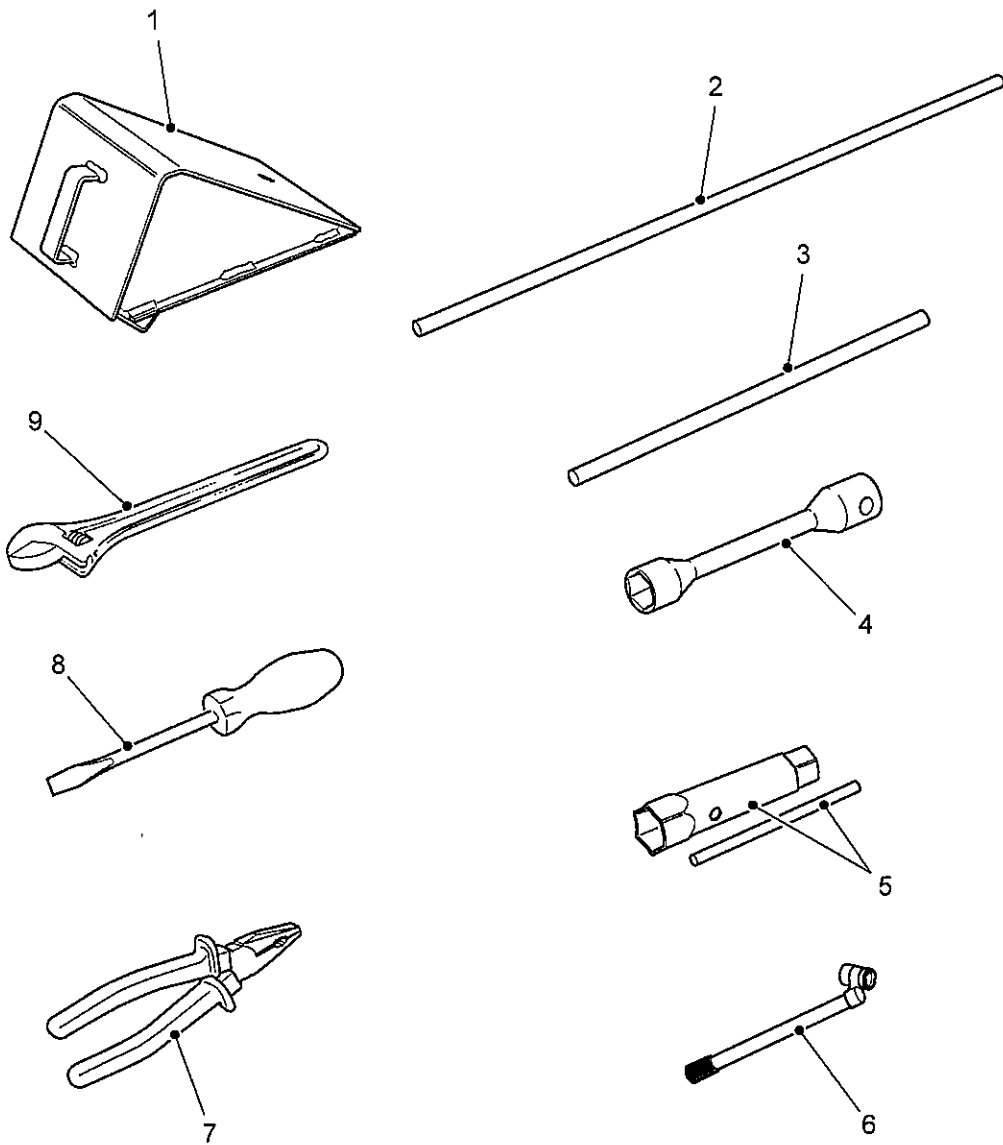


Fig 1 Tools

CES

Fig. No Item No	DMC NSCM	Army NSN Part Number	Item Description and Annotations	No Off D of Q	Quantity on Issue
1					
0		NIV	TOOLS	REF	
1	6MT1	2540-99-212-7006	. CHOCK - WHEEL TRACK 200 MM (ADR VEHICLES ONLY)	2 EA	
2	F1	5120-99-136-6308	. TOMMY BAR - 12 MM X 1 M	1 EA	
3	F1	5120-99-811-0739	. TOMMY BAR (FOR USE WITH ITEM 4)	1 EA	
4	WTE	5120-99-942-6901	. SPANNER, BOX, 7/8 IN. BSF	1 EA	
5	6MT2	5120-99-120-5567	. SPANNER, BOX, 3/4 IN. X 5/8 IN. C.W. TOMMY BAR	1 EA	
6	WTE	4910-99-807-0183	. GAUGE - TYRE PRESSURE	1 EA	
7	F1	5120-99-910-5525	. PLIERS - SIDE CUTTING - 6 IN.	1 EA	
8	F1	5120-99-136-5590	. SCREWDRIVER - FLAT - 200 MM LG.	1 EA	
9	F1	5120-99-910-5964	. WRENCH - ADJUSTABLE - 8 IN.	1 EA	
NI 10	G1	5340-99-910-8185	. PADLOCK	3 EA	

CHAPTER 2-4-4

TRUCK GS, WITH 3 TONNE CRANE; ARMAMENT SUPPORT

LITERATURE

Page Intentionally Left Blank - No Illustration

CES

Fig. No Item No	DMC NSCM	Army NSN Part Number	Item Description and Annotations	No Off D of Q	Quantity on Issue
NI 0			LITERATURE	REF	
NI 1		2320-H-100-201	. OPERATORS MANUAL	1 EA	
NI 2		2320-H-100-601	. MAINTENANCE SCHEDULE	1 EA	
NI 3		FMT 1000	. VEHICLE RECORD BOOK	1 EA	

CHAPTER 2-5
COMPLETE EQUIPMENT SCHEDULE (SERVICE)

SIMPLE EQUIPMENT

TRUCK, FLAT PLATFORM

CONTENTS

Chapter

2-5-1	Fitted items
2-5-2	Loose items
2-5-3	Tools
2-5-4	Literature

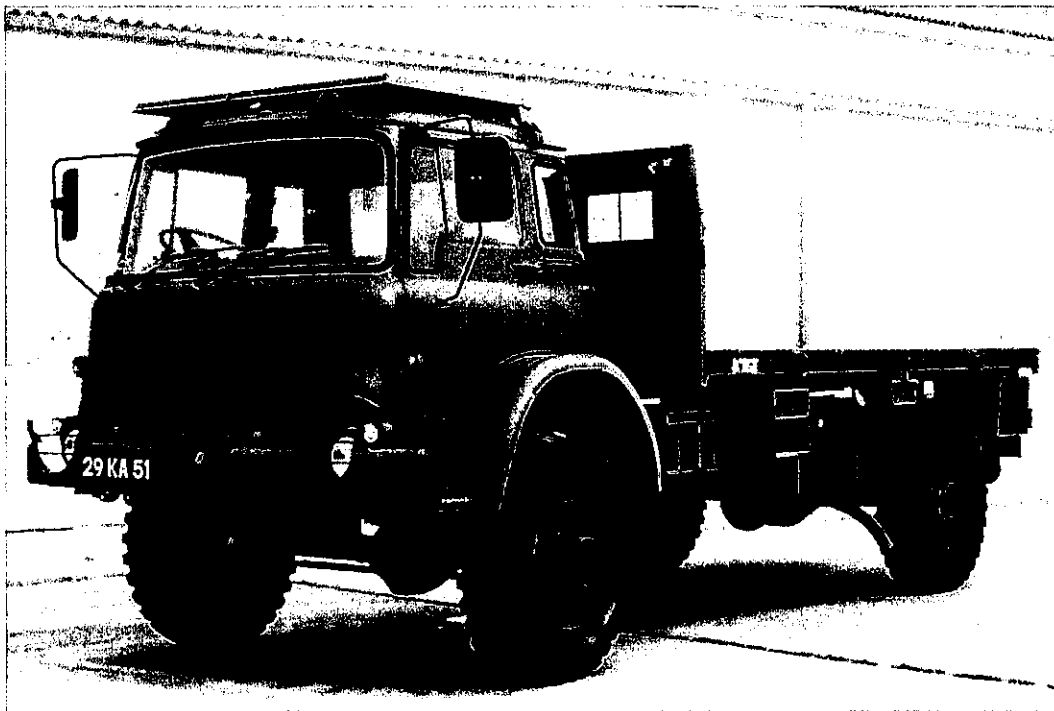


Fig 1 Truck, Flat Platform

CES

Fig. No Item No	DMC NSCM	Army NSN Part Number	Item Description and Annotations	Asset Code
1				
1		2320-99-893-6137	TRUCK, FLAT PLATFORM	2091-3100
NI 2		2320-99-908-6850	TRUCK, FLAT PLATFORM	2091-3105
NI 3		2320-99-908-6852	TRUCK, FLAT PLATFORM	2091-3106
NI 4		2320-99-893-6138	TRUCK, FLAT PLATFORM	2091-8100
NI 5		2320-99-893-7637	TRUCK, FLAT PLATFORM	2091-8101
NI 6		2320-99-908-6851	TRUCK, FLAT PLATFORM	2091-8105
NI 7		2320-99-908-6852	TRUCK, FLAT PLATFORM	2091-8106
NI 8		2320-99-908-6863	TRUCK, FLAT PLATFORM	2091-8107
NI 9		2320-99-893-8002	TRUCK, FLAT PLATFORM, WINTERISED	2092-3100
NI 10		2320-99-908-6865	TRUCK, FLAT PLATFORM, WINTERISED	2092-3102
NI 11		2320-99-908-6866	TRUCK, FLAT PLATFORM, WINTERISED	2092-3103
NI 12		NIV	. FITTED ITEMS (see Chap 2-5-1)	
NI 13		NIV	. LOOSE ITEMS (see Chap 2-5-2)	
NI 14		NIV	. TOOLS (see Chap 2-5-3)	
NI 15		NIV	. LITERATURE (see Chap 2-5-4)	

CHAPTER 2-5-1
TRUCK, FLAT PLATFORM
FITTED ITEMS

Page Intentionally Left Blank - No Illustration

CES

Fig. No Item No	DMC NSCM	Army NSN Part Number	Item Description and Annotations	No Off D of Q	Quantity on Issue
NI 0			FITTED ITEMS	REF	
NI 1	6MT1	4210-99-839-9904	. BRACKET, FIRE EXTINGUISHING 2 KG	2 EA	
NI 2	6MT1	4210-99-998-3537	. FIRE EXTINGUISHER, 2 KG	2 EA	
NI 3	6MT3	2540-99-852-4383	. MIRROR ASSEMBLY, REAR VIEW	2 EA	
NI 4		2510-99-832-9896	. COVER ASSEMBLY, HIP RING	1 EA	

*

CHAPTER 2-5-2
TRUCK, FLAT PLATFORM
LOOSE ITEMS

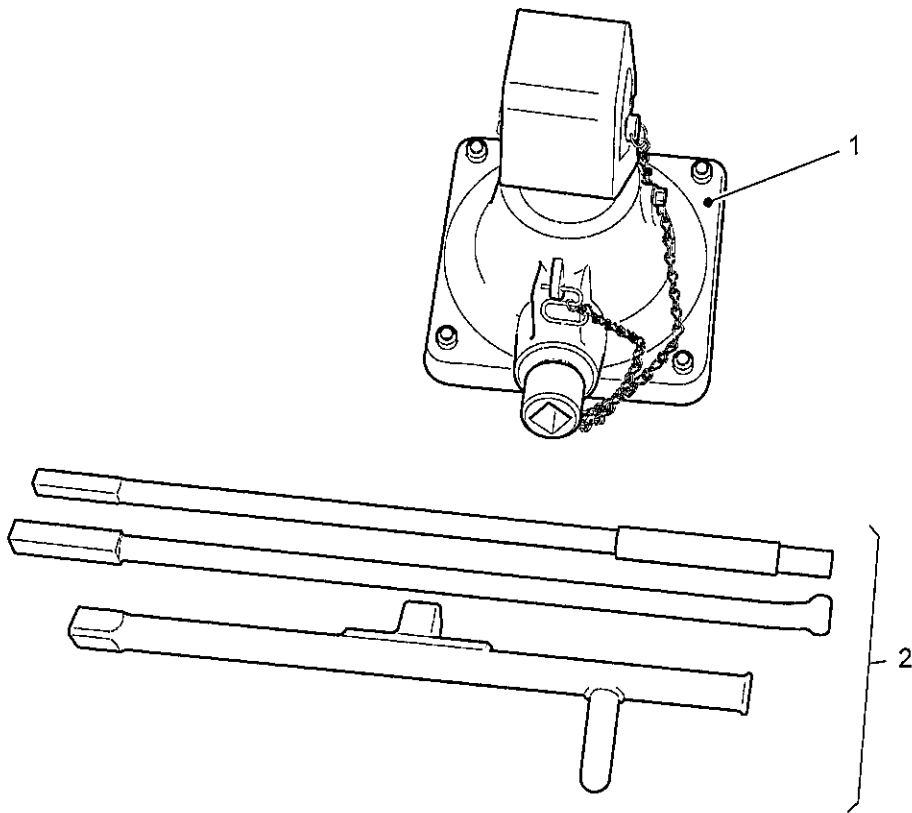


Fig 1 Loose items

CES

Fig. No Item No	DMC NSCM	Army NSN Part Number	Item Description and Annotations	No Off D of Q	Quantity on Issue
1					
NI 0		NIV	LOOSE ITEMS	REF	
1	6MT1	5120-99-135-5737	. JACK, SCREW, HAND LIFTING	1 EA	
2	7BD	2540-99-822-1403	. CRANK, HAND, SCREW JACK	1 EA	
NI 3	7BD	2530-99-881-8312	. WHEEL ASSEMBLY - WHEEL - 8.00 X 20	1 EA	
NI 4	6MT14	2610-99-942-6887	.. WHEEL ASSEMBLY - FLAP	1 EA	
NI 5	6MT14	2610-99-815-1936	.. WHEEL ASSEMBLY - INNER TUBE 12.00	1 EA	
NI 6	6MT14	2610-99-829-9107	.. WHEEL ASSEMBLY - TYRE 12.00 X 20 14PR	1 EA	
NI 7	6MT1	4720-99-613-9349	. HOSE ASSEMBLY, TYRE INFLATOR	1 EA	

CHAPTER 2-5-3
TRUCK, FLAT PLATFORM
TOOLS

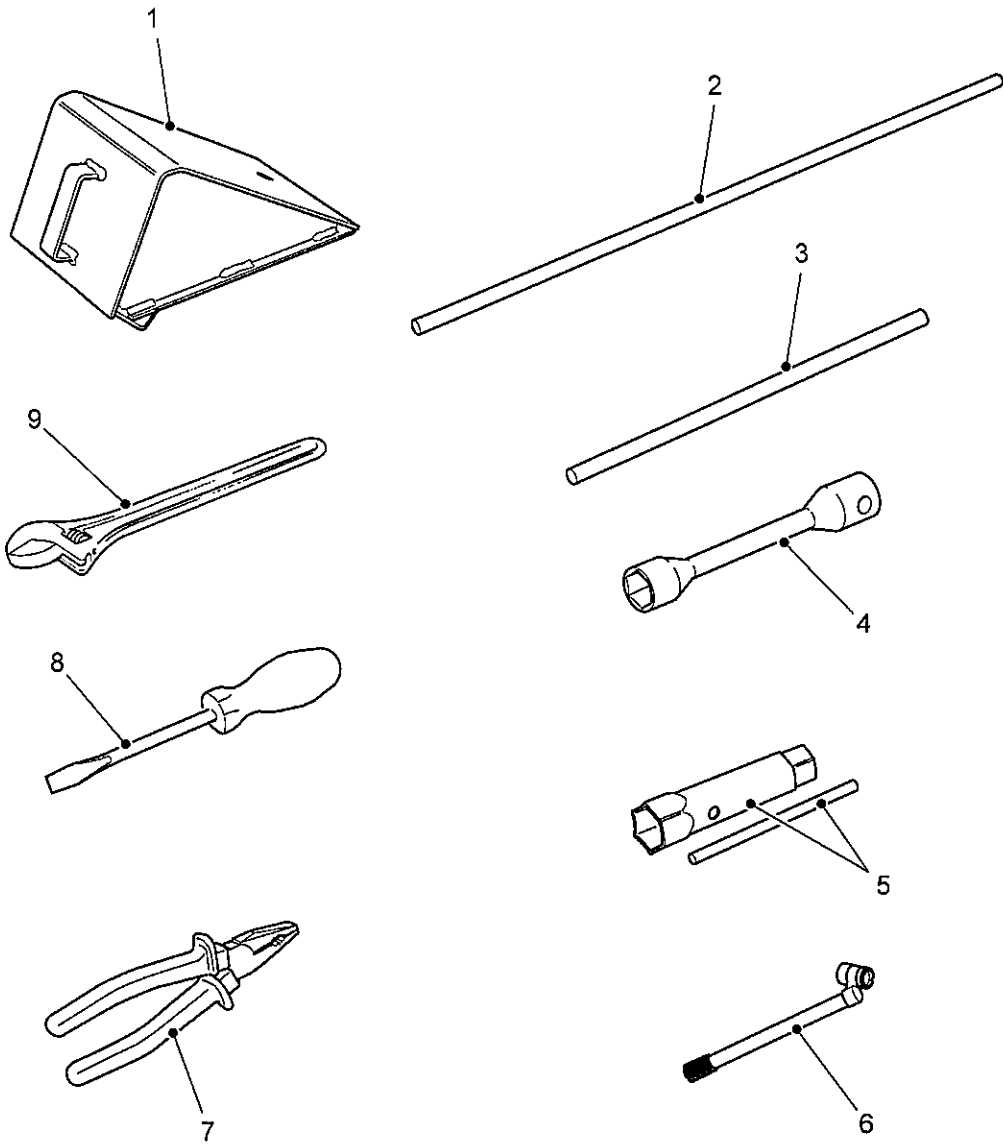


Fig 1 Tools

CES

Fig. No Item No	DMC NSCM	Army NSN Part Number	Item Description and Annotations	No Off D of Q	Quantity on Issue
1					
0		NIV	TOOLS	REF	
1	6MT1	2540-99-212-7006	. CHOCK - WHEEL TRACK 200 MM (ADR VEHICLES ONLY)	2 EA	
2	F1	5120-99-136-6308	. TOMMY BAR - 12 MM X 1 M	1 EA	
3	F1	5120-99-811-0739	TOMMY BAR (FOR USE WITH ITEM 4)	1 EA	
4	WTE	5120-99-942-6901	. SPANNER, BOX, 7/8 IN. BSF	1 EA	
5	6MT2	5120-99-120-5567	. SPANNER, BOX, 3/4 IN. X 5/8 IN. C.W. TOMMY BAR	1 EA	
6	WTE	4910-99-807-0183	. GAUGE - TYRE PRESSURE	1 EA	
7	F1	5120-99-910-5525	. PLIERS - SIDE CUTTING - 6 IN.	1 EA	
8	F1	5120-99-136-5590	. SCREWDRIVER - FLAT - 200 MM LG.	1 EA	
9	F1	5120-99-910-5964	. WRENCH - ADJUSTABLE - 8 IN.	1 EA	
NI 10	G1	5340-99-910-8185	. PADLOCK	3 EA	

CHAPTER 2-5-4
TRUCK, FLAT PLATFORM
LITERATURE

Page Intentionally Left Blank - No Illustration

CES

Fig. No Item No	DMC NSCM	Army NSN Part Number	Item Description and Annotations	No Off D of Q	Quantity on Issue
NI 0			LITERATURE	REF	
NI 1		2320-H-100-201	. OPERATORS MANUAL	1 EA	
NI 2		2320-H-100-601	. MAINTENANCE SCHEDULE	1 EA	
NI 3		FMT 1000	. VEHICLE RECORD BOOK	1 EA	

CHAPTER 2-6

COMPLETE EQUIPMENT SCHEDULE (SERVICE)

SIMPLE EQUIPMENT

TRUCK, UBRE (WINTERISED)

CONTENTS

Chapter

2-6-1	Fitted items
2-6-2	Loose items
2-6-3	Tools
2-6-4	Literature



Fig 1 Truck, UBRE

CES

Fig. No Item No	DMC NSCM	Army NSN Part Number	Item Description and Annotations	Asset Code
1				
1		2320-99-893-7258	TRUCK 4T, UBRE (WINTERISED)	2205-3101
NI 2		NIV	. FITTED ITEMS (see Chap 2-6-1)	
NI 3		NIV	. LOOSE ITEMS (see Chap 2-6-2)	
NI 4		NIV	. TOOLS (see Chap 2-6-3)	
NI 5		NIV	. LITERATURE (see Chap 2-6-4)	

CHAPTER 2-6-1
TRUCK, UBRE (WINTERISED)
FITTED ITEMS

Page Intentionally Left Blank - No Illustration

CES

Fig. No Item No	DMC NSCM	Army NSN Part Number	Item Description and Annotations	No Off D of Q	Quantity on Issue
NI 0		NIV	FITTED ITEMS	REF	
NI 1	6MT1	4210-99-839-9904	. BRACKET, FIRE EXTINGUISHING 2 KG	2 EA	
NI 2	6MT1	4210-99-998-3537	. FIRE EXTINGUISHER, 2 KG	2 EA	
NI 3	6MT3	2540-99-852-6383	. MIRROR ASSEMBLY, REAR VIEW	2 EA	

CHAPTER 2-6-2
TRUCK, UBRE (WINTERISED)
LOOSE ITEMS

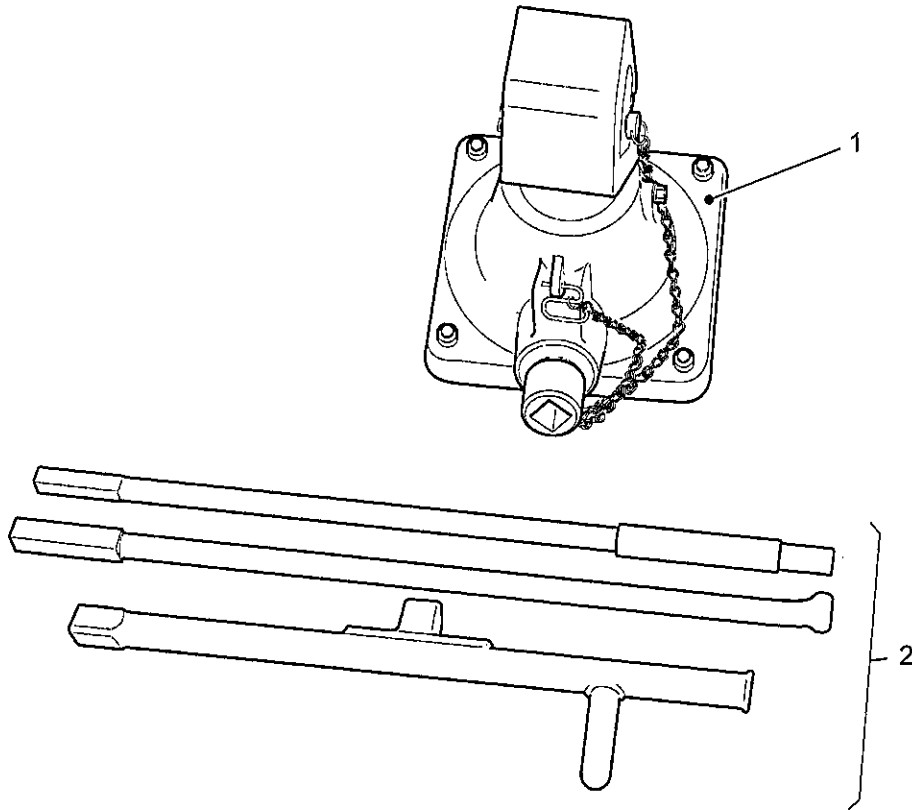


Fig 1 Loose items

CES

Fig. No Item No	DMC NSCM	Army NSN Part Number	Item Description and Annotations	No Off D of Q	Quantity on Issue
1					
NI 0		NIV	LOOSE ITEMS	REF	
1	6MT1	5120-99-135-5737	. JACK, SCREW, HAND LIFTING	1 EA	
2	7BD	2540-99-822-1403	. CRANK, HAND, SCREW JACK	1 EA	
NI 3	7BD	2530-99-881-8312	. WHEEL ASSEMBLY - WHEEL - 8.00 X 20	1 EA	
NI 4	6MT14	2610-99-942-6887	.. WHEEL ASSEMBLY - FLAP	1 EA	
NI 5	6MT14	2610-99-815-1936	.. WHEEL ASSEMBLY - INNER TUBE 12.00	1 EA	
NI 6	6MT14	2610-99-829-9107	.. WHEEL ASSEMBLY - TYRE 12.00 X 20 14PR	1 EA	
NI 7	6MT1	2530-99-910-8185	. HOSE ASSEMBLY, TYRE INFLATOR	1 EA	

CHAPTER 2-6-3
TRUCK, UBRE (WINTERISED)
TOOLS

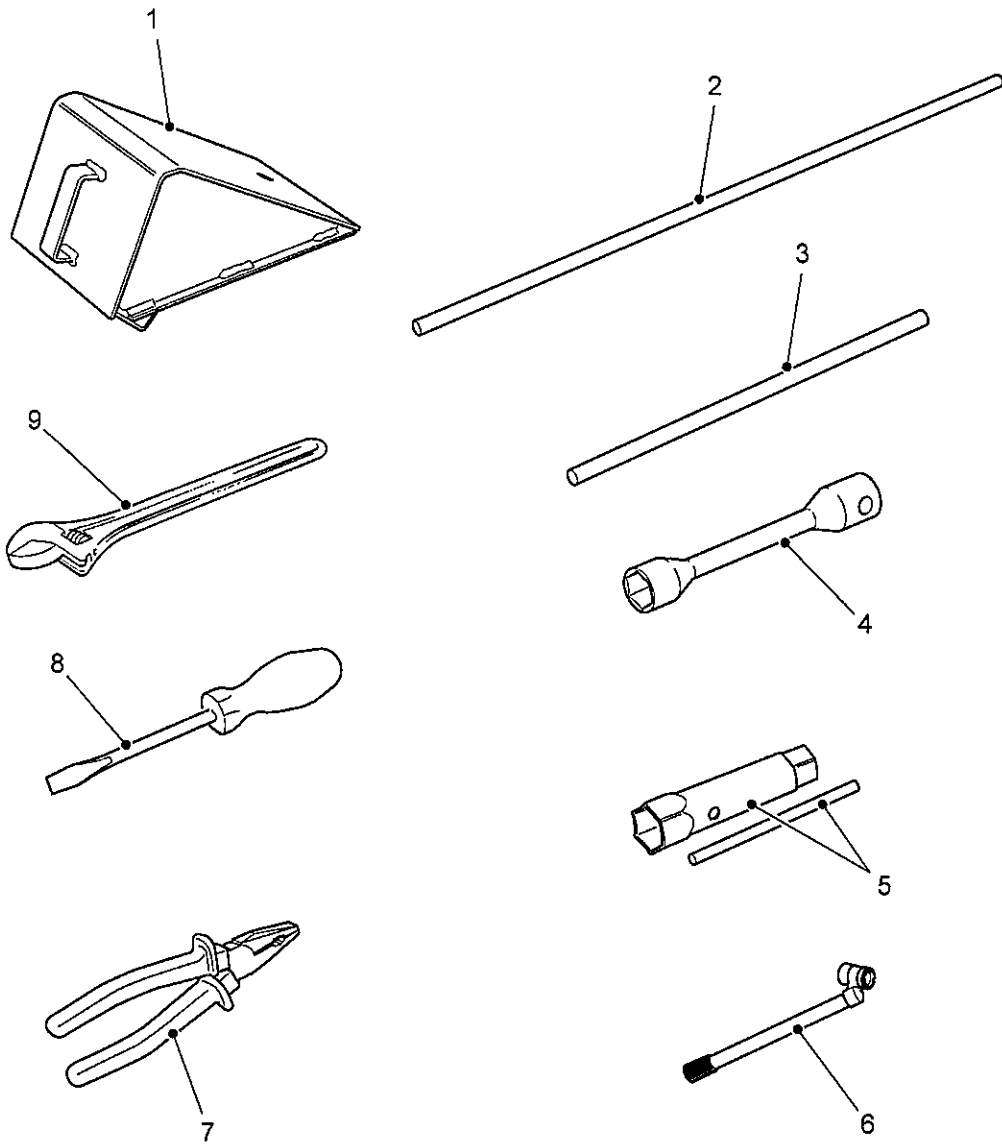


Fig 1 Tools

CES

Fig. No Item No	DMC NSCM	Army NSN Part Number	Item Description and Annotations	No Off D of Q	Quantity on Issue
1					
0		NIV	TOOLS	REF	
1	6MT1	2540-99-212-7006	. CHOCK - WHEEL TRACK 200 MM (ADR VEHICLES ONLY)	2 EA	
2	F1	5120-99-136-6308	. TOMMY BAR - 12 MM X 1 M	1 EA	
3	F1	5120-99-811-0739	. TOMMY BAR (FOR USE WITH ITEM 4)	1 EA	
4	WTE	5120-99-942-6901	. SPANNER, BOX, 7/8 IN. BSF	1 EA	
5	6MT2	5120-99-120-5567	. SPANNER, BOX, 3/4 IN. X 5/8 IN. C.W. TOMMY BAR	1 EA	
6	WTE	4910-99-807-0183	. GAUGE - TYRE PRESSURE	1 EA	
7	F1	5120-99-910-5525	. PLIERS - SIDE CUTTING - 6 IN.	1 EA	
8	F1	5120-99-136-5590	. SCREWDRIVER - FLAT - 200 MM LG.	1 EA	
9	F1	5120-99-910-5964	. WRENCH - ADJUSTABLE - 8 IN.	1 EA	
NI 10	G1	5340-99-910-8185	. PADLOCK	3 EA	

CHAPTER 2-6-4
TRUCK, UBRE (WINTERISED)
LITERATURE

Page Intentionally Left Blank - No Illustration

CES

Fig. No Item No	DMC NSCM	Army NSN Part Number	Item Description and Annotations	No Off D of Q	Quantity on Issue
NI 0			LITERATURE	REF	
NI 1		2320-H-100-201	. OPERATORS MANUAL	1 EA	
NI 2		2320-H-100-601	. MAINTENANCE SCHEDULE	1 EA	
NI 3		FMT 1000	. VEHICLE RECORD BOOK	1 EA	

CHAPTER 2-7

COMPLETE EQUIPMENT SCHEDULE (SERVICE)

SIMPLE EQUIPMENT

TRUCK, FLAT PLATFORM WITH WINCH

CONTENTS

Chapter

2-7-1	Fitted items
2-7-2	Loose items
2-7-3	Tools
2-7-4	Literature

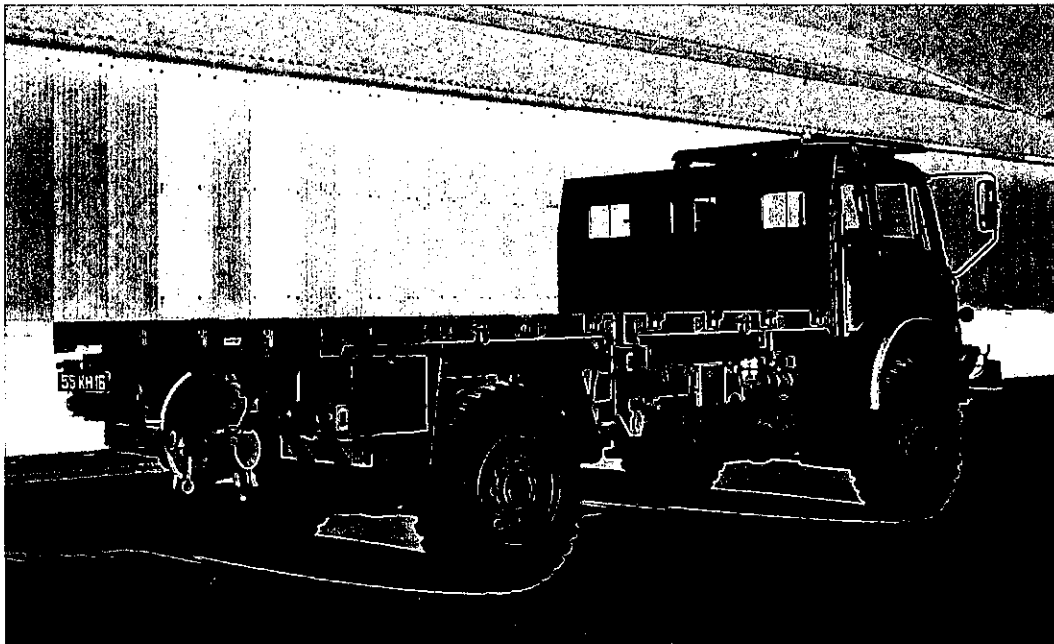


Fig 1 Truck, Flat Platform, with Winch

CES

Fig. No Item No	DMC NSCM	Army NSN Part Number	Item Description and Annotations	Asset Code
1				
1		2320-99-893-7676	TRUCK, FLAT PLATFORM, WITH WINCH	2095-3101
NI 2		2320-99-893-7677	TRUCK, FLAT PLATFORM, WITH WINCH	2095-8101
NI 3		2320-99-893-7591	TRUCK, FLAT PLATFORM, FFR, WITH WINCH	2096-4100
NI 4		NIV	. FITTED ITEMS (see Chap 2-7-1)	
NI 5		NIV	. LOOSE ITEMS (see Chap 2-7-2)	
NI 6		NIV	. TOOLS (see Chap 2-7-3)	
NI 7		NIV	. LITERATURE (see Chap 2-7-4)	

CHAPTER 2-7-1
TRUCK, FLAT PLATFORM WITH WINCH
FITTED ITEMS

Page Intentionally Left Blank - No Illustration

CES

Fig. No Item No	DMC NSCM	Army NSN Part Number	Item Description and Annotations	No Off D of Q	Quantity on Issue
NI 0			FITTED ITEMS	REF	
NI 1	6MT1	4210-99-839-9904	. BRACKET, FIRE EXTINGUISHING 2 KG	2 EA	
NI 2	6MT1	4210-99-998-3537	. FIRE EXTINGUISHER, 2 KG	2 EA	
NI 3	6MT3	2540-99-852-4383	. MIRROR ASSEMBLY, REAR VIEW	2 EA	
NI 4		2510-99-832-9896	. COVER ASSEMBLY, HIP RING	1 EA	

CHAPTER 2-7-2
TRUCK, FLAT PLATFORM WITH WINCH
LOOSE ITEMS

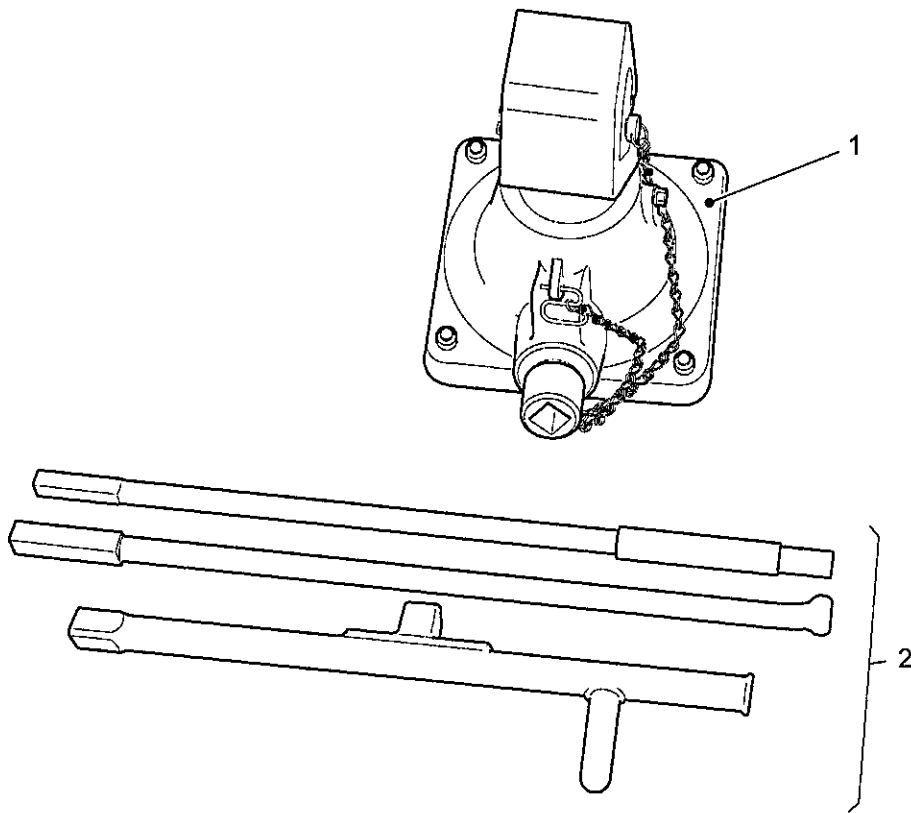


Fig 1 Loose items

CES

Fig. No Item No	DMC NSCM	Army NSN Part Number	Item Description and Annotations	No Off D of Q	Quantity on Issue
1					
NI 0		NIV	LOOSE ITEMS	REF	
1	6MT1	5120-99-135-5737	. JACK, SCREW, HAND LIFTING	1 EA	
2	7BD	2540-99-822-1403	. CRANK, HAND, SCREW JACK	1 EA	
NI 3	7BD	2530-99-881-8312	. WHEEL ASSEMBLY - WHEEL - 8.00 X 20	1 EA	
NI 4	6MT14	2610-99-942-6887	.. WHEEL ASSEMBLY - FLAP	1 EA	
NI 5	6MT14	2610-99-815-1936	.. WHEEL ASSEMBLY - INNER TUBE 12.00	1 EA	
NI 6	6MT14	2610-99-829-9107	.. WHEEL ASSEMBLY - TYRE 12.00 X 20 14PR	1 EA	
NI 7	6MT1	4720-99-613-9349	. HOSE ASSEMBLY, TYRE INFLATOR	1 EA	

CHAPTER 2-7-3
TRUCK, FLAT PLATFORM, WITH WINCH
TOOLS

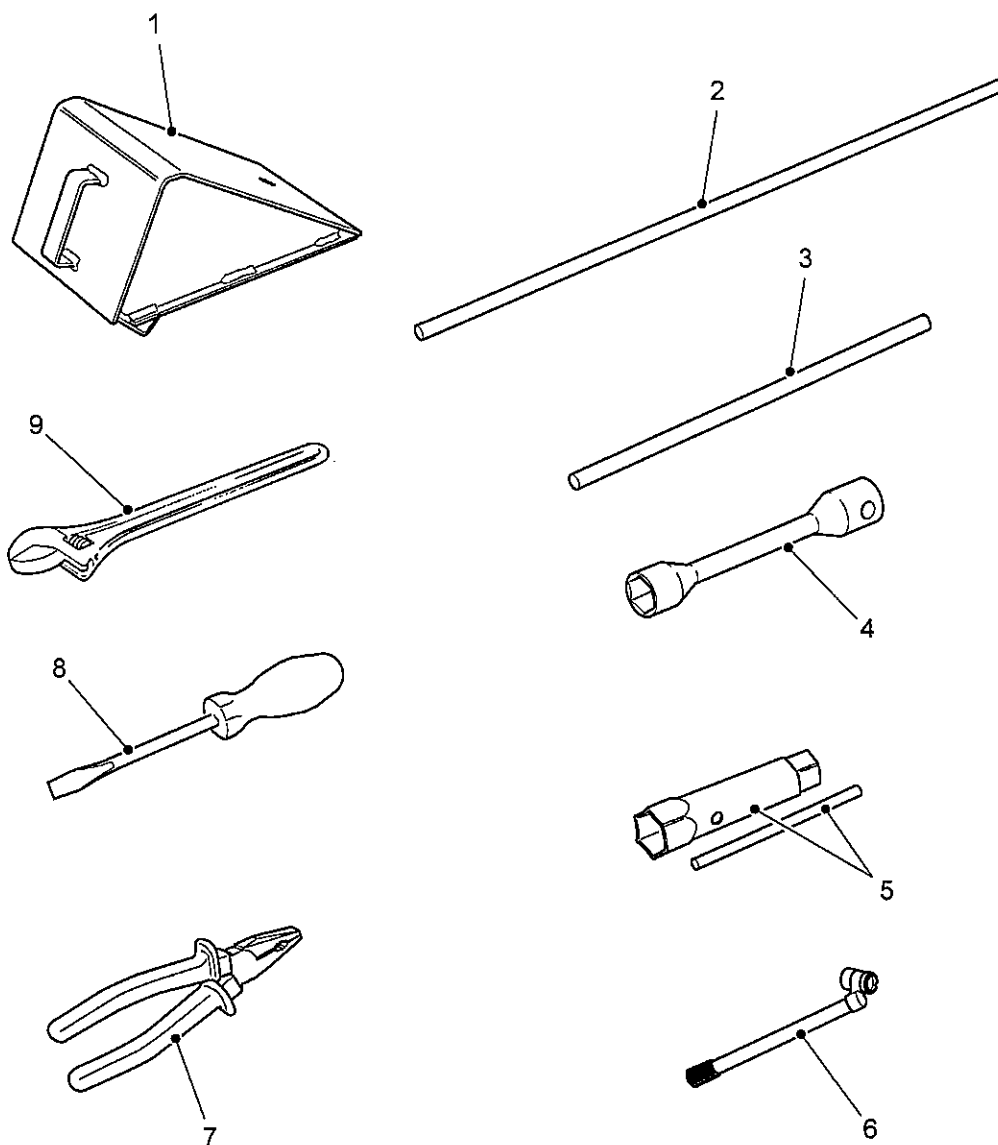


Fig 1 Tools

CES

Fig. No Item No	DMC NSCM	Army NSN Part Number	Item Description and Annotations	No Off D of Q	Quantity on Issue
1					
0		NIV	TOOLS	REF	
1	6MT1	2540-99-212-7006	. CHOCK - WHEEL TRACK 200 MM (ADR VEHICLES ONLY)	2 EA	
2	F1	5120-99-136-6308	. TOMMY BAR - 12 MM X 1 M	1 EA	
3	F1	5120-99-811-0739	TOMMY BAR (FOR USE WITH ITEM 4)	1 EA	
4	WTE	5120-99-942-6901	. SPANNER, BOX, 7/8 IN. BSF	1 EA	
5	6MT2	5120-99-120-5567	. SPANNER, BOX, 3/4 IN. X 5/8 IN. C.W. TOMMY BAR	1 EA	
6	WTE	4910-99-807-0183	. GAUGE - TYRE PRESSURE	1 EA	
7	F1	5120-99-910-5525	. PLIERS - SIDE CUTTING - 6 IN.	1 EA	
8	F1	5120-99-136-5590	. SCREWDRIVER - FLAT - 200 MM LG.	1 EA	
9	F1	5120-99-910-5964	. WRENCH - ADJUSTABLE - 8 IN.	1 EA	
NI 10	G1	5340-99-910-8185	. PADLOCK	3 EA	

CHAPTER 2-7-4
TRUCK, FLAT PLATFORM, WITH WINCH
LITERATURE

Page Intentionally Left Blank - No Illustration

CES

Fig. No Item No	DMC NSCM	Army NSN Part Number	Item Description and Annotations	No Off D of Q	Quantity on Issue
NI 0			LITERATURE	REF	
NI 1		2320-H-100-201	. OPERATORS MANUAL	1 EA	
NI 2		2320-H-100-601	. MAINTENANCE SCHEDULE	1 EA	
NI 3		FMT 1000	. VEHICLE RECORD BOOK	1 EA	

CHAPTER 3

INDEXES

CONTENTS

Para

- 1 Introduction

Chapter

- 3-1 Index of NATO Stock Numbers to Chapter, Figure and Item Numbers
- 3-2 Index of Manufacturers' Part/Drawing Numbers to Chapter, Figure and Item Numbers
- 3-3 Not issued
- 3-4 Not issued

INTRODUCTION

- 1 This chapter identifies the number of indexes provided in support to the CES List.

CHAPTER 3-1
INDEX OF NATO STOCK NUMBERS
TO
CHAPTER, FIGURE AND ITEM NUMBERS
CONTENTS

	Page
Index pages.....	3

UK RESTRICTED

INDEX OF NATO STOCK NUMBERS
TO CHAPTER, FIGURE AND ITEM NUMBERS

NATO stock number	Chapter 2-sub-chap	Fig & Item
5120-99-120-5567	1-3	1-5
	2-3	1-5
	3-3	1-5
	4-3	1-5
	5-3	1-5
	6-3	1-5
	7-3	1-5
1080-99-120-6114	1-2	1-NI 4
	2-2	1-NI 4
1080-99-127-8180	1-2	1-NI 3
	2-2	1-NI 3
8340-99-132-0028	1-2	1-NI 6
	2-2	1-NI 6
5120-99-135-5737	1-2	1-1
	2-2	1-1
	3-2	1-1
	4-2	1-1
	5-2	1-1
	6-2	1-1
	7-2	1-1
5120-99-136-5590	1-3	1-8
	2-3	1-8
	3-3	1-8
	4-3	1-8
	5-3	1-8
	6-3	1-8
	7-3	1-8
5120-99-136-6308	1-3	1-2
	2-3	1-2
	3-3	1-2
	4-3	1-2
	5-3	1-2
	6-3	1-2
	7-3	1-2
1080-99-136-9444	1-2	1-NI 5
	2-2	1-NI 5
3940-99-201-3027	2-2	1-NI 14
2540-99-212-7006	1-3	1-1
	2-3	1-1
	3-3	1-1
	4-3	1-1
	5-3	1-1
	6-3	1-1
	7-3	1-1
6140-99-219-2903	2-1	1-NI 12
	1-2	1-NI 11
4720-99-613-9349	2-2	1-NI 18
	3-2	1-NI 7
	5-2	1-NI 7
	7-2	1-NI 7
	1-3	1-NI 11
2540-99-739-7404	2-2	1-NI 12
4010-99-805-5214	2-2	1-NI 15
4910-99-807-0183	1-3	1-6
	2-3	1-6
	3-3	1-6
	4-3	1-6
	5-3	1-6
	6-3	1-6
	7-3	1-6
2540-99-807-3054	2-2	1-NI 17
	2-2	1-NI 16
5120-99-811-0739	1-3	1-3
	2-3	1-3
	3-3	1-3
	4-3	1-3
	5-3	1-3
	6-3	1-3

NATO stock number	Chapter 2-sub-chap	Fig & Item
5120-99-811-0739	7-3	1-3
2540-99-812-9247	1-1	1-NI 7
	2-1	1-NI 7
2540-99-812-9249	1-1	1-6
	2-1	1-6
2540-99-812-9254	1-1	1-2
	2-1	1-2
2540-99-812-9255	1-1	2-3
	2-1	2-3
2540-99-812-9256	1-1	1-5
	1-1	2-6
2540-99-812-9340	2-1	1-5
	2-1	2-6
2540-99-812-9341	1-1	2-5
	2-1	2-5
2540-99-812-9623	1-1	2-4
	2-1	2-4
2540-99-812-9624	1-1	2-7
	2-1	2-7
2610-99-815-1936	1-1	2-2
	2-1	2-2
2540-99-820-2754	1-2	1-NI 8
	2-2	1-NI 8
	3-2	1-NI 5
	4-2	1-NI 5
	5-2	1-NI 5
	6-2	1-NI 5
	7-2	1-NI 5
2540-99-820-2755	1-1	1-8
	2-1	1-8
2540-99-820-2756	1-1	1-3
	2-1	1-3
2540-99-820-2757	1-1	1-1
	2-1	1-1
2540-99-822-1403	1-1	1-4
	2-1	1-4
	1-2	1-2
	2-2	1-2
	3-2	1-2
	4-2	1-2
	5-2	1-2
6-2	1-2	
2540-99-823-3648	7-2	1-2
	1-1	2-1
2610-99-829-9107	2-1	2-1
	1-2	1-NI 9
2510-99-832-9896	2-2	1-NI 9
	3-2	1-NI 6
	4-2	1-NI 6
	5-2	1-NI 6
	6-2	1-NI 6
	7-2	1-NI 6
	3-1	NI 4
4210-99-839-9904	5-1	NI 4
	7-1	1-NI 4
	1-1	1-NI 9
	3-1	NI 1
	4-1	NI 1
	5-1	NI 1
	6-1	NI 1
2540-99-852-4383	7-1	1-NI 1
	3-1	NI 3
	4-1	NI 3
	5-1	NI 3
	7-1	1-NI 3
	1-1	1-NI 11
	2-1	1-NI 11
6-1	NI 3	

**INDEX OF NATO STOCK NUMBERS
TO CHAPTER, FIGURE AND ITEM NUMBERS**

NATO stock number	Chapter 2-sub-chap	Fig & Item
4210-99-881-4724	2-1	1-NI 10
4210-99-881-7335	2-1	1-NI 9
2530-99-881-8312	1-2	1-NI 7
	2-2	1-NI 7
	3-2	1-NI 3
	4-2	1-NI 3
	5-2	1-NI 3
	6-2	1-NI 3
	7-2	1-NI 3
2320-99-893-5954	0	NI 1
2320-99-893-6137	0	NI 18
	5	1-1
2320-99-893-6138	0	NI 21
	5	1-NI 4
2320-99-893-6141	0	NI 6
	2	1-1
2320-99-893-6142	0	NI 2
	1	1-NI 2
2320-99-893-6143	0	NI 7
	2	1-NI 2
2320-99-893-6146	0	NI 12
	4	1-1
2320-99-893-6147	0	NI 13
	4	1-NI 2
2320-99-893-6148	0	NI 14
	4	1-NI 3
2320-99-893-6328	0	NI 16
	4	1-NI 5
2320-99-893-6565	0	NI 3
	1	1-NI 3
2320-99-893-6581	0	NI 8
	2	1-NI 3
2320-99-893-6644	0	NI 4
	1	1-NI 4
2320-99-893-6671	0	NI 10
	3	1-1
2320-99-893-6683	0	NI 17
	4	1-NI 6
2320-99-893-6921	0	NI 9
	2	1-NI 4
2320-99-893-6922	0	NI 11
	3	1-2
2320-99-893-7258	0	NI 29
	6	1-1
2320-99-893-7591	0	NI 32
	7	1-NI 3
2320-99-893-7634	0	NI 5
	1	1-NI 5
2320-99-893-7637	0	NI 22
	5	1-NI 5
2320-99-893-7676	0	NI 30
	7	1-1
2320-99-893-7677	0	NI 31
	7	1-NI 2
2320-99-893-8002	0	NI 26
	5	1-NI 9
2320-99-893-8006	0	NI 15
	4	1-NI 4
2320-99-898-5954	1	1-1
2320-99-908-6850	0	NI 19
	5	1-NI 2
2320-99-908-6851	0	NI 23
	5	1-NI 6
2320-99-908-6852	0	NI 20
	0	NI 24
	5	1-NI 3
	5	1-NI 7
2320-99-908-6863	0	NI 25

NATO stock number	Chapter 2-sub-chap	Fig & Item
2320-99-908-6863	5	1-NI 8
2320-99-908-6865	0	NI 27
	5	1-NI 10
2320-99-908-6866	0	NI 28
	5	1-NI 11
5120-99-910-5525	1-3	1-7
	2-3	1-7
	3-3	1-7
	4-3	1-7
	5-3	1-7
	6-3	1-7
	7-3	1-7
5120-99-910-5964	1-3	1-9
	2-3	1-9
	3-3	1-9
	4-3	1-9
	5-3	1-9
	6-3	1-9
	7-3	1-9
5340-99-910-8185	1-3	1-NI 10
	2-3	1-NI 10

CHAPTER 3-2
INDEX OF MANUFACTURERS' PART/DRAWING NUMBERS
TO
CHAPTER, FIGURE AND ITEM NUMBERS
CONTENTS

	Page
Index pages.....	3

**INDEX OF MANUFACTURERS' PART/DRAWING NUMBERS
TO CHAPTER, FIGURE AND ITEM NUMBERS**

Manufacturers' Parts or Drawing Numbers	Chapter 2- Sub-chap	Fig & Item
FMT 1000	1-4 2-4 3-4 4-4 5-4 6-4 7-4	NI 3 NI 3 NI 3 NI 3 NI 3 NI 3 NI 3
2320-H-100-201	1-4 2-4 3-4 4-4 5-4 6-4 7-4	NI 1 NI 1 NI 1 NI 1 NI 1 NI 1 NI 1
2320-H-100-601	1-4 2-4 3-4 4-4 5-4 6-4 7-4	NI 2 NI 2 NI 2 NI 2 NI 2 NI 2 NI 2

COMMENT(S) ON AESP*

To: FRACAS
BFPO 794

From:
.....
.....
.....

Sender's Reference	BIN Number	Date
AESP* Title:		
Chapter(s)/Instruction	Page(s)/Paragraph(s)	
If you require more space, please use the reverse of this form or a separate piece of paper. Comment(s):		

Signed: Telephone No.:

Name (Capitals): Rank/Grade: Date:

FOR AESP* SPONSOR USE ONLY

To: From:
.....
.....
.....

Thank you for commenting on AESP*:

Your reference: Dated:

Action is being taken to:	Tick	Tick
Issue a revised/amended AESP*		Under investigation
Incorporate comment(s) in future amendments		No action required
Remarks		

Signed: Telephone No.:

Name (Capitals): Rank/Grade: Date:

* AESP or EMER

AESP Form 10 (dated June 2006)

~~FOR OFFICIAL USE ONLY
CROWN COPYRIGHT RESERVED~~

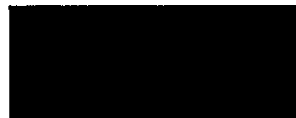
~~The information within this publication
is released by the UK Government to the
recipient in accordance with the
Conditions of Release given at
Page/Frame (ii)~~



TRUCK 4 TONNE 4x4 BEDFORD MJ (ALL VARIANTS)

MODIFICATION INSTRUCTIONS

BY COMMAND OF THE DEFENCE COUNCIL



MINISTRY OF DEFENCE

Issued by

DIRECTOR GENERAL SAFETY AND ENGINEERING
TECHNICAL INFORMATION GROUP

~~CONDITIONS OF RELEASE~~

- ~~1. This information is released by the UK Government for defence purposes only.~~
- ~~2. This information must be accorded the same degree of security protection as that accorded thereto by the UK Government.~~
- ~~3. This information may be disclosed only within the Defence Departments of the recipient government, except as otherwise authorised by Ministry of Defence (Army).~~
- ~~4. This information may be subject to privately owned rights.~~

AMENDMENT RECORD

Amdt	Incorporated by	Date
1	INCORPORATED	Oct 09
2	INCORPORATED	May 10
3		
4		
5		
6		
7		
8		
9		
10		
11		
12		
13		
14		
15		
16		
17		
18		
19		
20		
21		
22		
23		
24		
25		
26		
27		
28		
29		
30		
31		

Amdt	Incorporated by	Date
32		
33		
34		
35		
36		
37		
38		
39		
40		
41		
42		
43		
44		
45		
46		
47		
48		
49		
50		
51		
52		
53		
54		
55		
56		
57		
58		
59		
60		
61		
62		

PREFACE

1 The controlling publication authority for this sub-category is:

GSV PT
DE&S Abbey Wood
Neighbourhood 1, Spruce 3C
Stoke Gifford, Bristol, BS34 8JH

2 All modification instructions as issued are to be recorded on the modification instruction index provided. Amendments to individual modification instructions are to be recorded on the Instruction Amendment Record. All extant instructions and amendments can be found listed in the main AESP Index.

3 Amendments are identified by marginal side linings.

4 Comments on Instructions are to be forwarded to the appropriate Publication Authority in accordance with AESP 0100-P-011-013.

MODIFICATION INSTRUCTION INDEX

This index is to be kept up to date by the User entering modification instructions as and when they are published.

Priority (Pty) is shown as Army: Immediate: I Routine: R
RAF: Class 1, 2 or 3

Mod No	Pty	Subject	Approval No/ Remarks
1	R	Fuel tank gauge shield	CANCELLED
2	R	winterisation	42074
3	R	Durlock bolts	12-1931
4	I	Brake anti-freezer	CANCELLED
5	R	Tachometer drive	12-1958
6	R	Label-crane instruction	12-1811
7	R	Propshaft grease nipples	CANCELLED
8	I	Hip ring retention	CANCELLED
9	R	Compressor oil inlet pipe	12-1956
10	R	Engine oil dipstick w/seal	CANCELLED
11	R	Hitch towing multi height	50736/55
12	R	Fuel tank	CANCELLED

(continued)

MODIFICATION INSTRUCTION INDEX (Continued)

Mod No	Pty	Subject	Approval No/ Remarks
13	R	Brake pressure warning switch	12-2006/1
14	R	Engine ventilation system	Task 639/1
15	R	Additional fuse carrier	12-2039
16	R	Convoy lamp line fuse	12-1818
17	R	Strengthening of cab roof	CANCELLED
18	R	Tipper Controls	CANCELLED
19	R	Transmission hand brake shield	12-2074
20	R	SA80 rifle clip mountings	12-1819
21		CANCELLATION NOTICE	9308\CP-2205
22	R	Fitting of MT CAB	CANCELLED
23	R	FUEL TANK	12-2067/3
24		EARTH BONDING POINT	
25		Replacement of drivers & passengers seat	CANCELLED
26		Cab Interior light	
27	I	FIRE EXTINGUISHER FITTING	97/152c/4903/LVG
28	I	PROVISION OF SPARE WHEEL WINCH WARNING LABEL	12-7039
29		Fitting of an enhanced Air Filtration System (Overhead Vortex Air Cleaner Unit)	GSV/04/054
30	I	Palm couplings replacement	GSV/04/082
31	I	Tool box replacement	GSV/04/087
32	I	Height Indicators	GSV/04/091
33	R	wheel chock bracket assy	GSV/04/0105
34			
35			
36			
37			

(continued)

MODIFICATION INSTRUCTION INDEX (Continued)

Mod No	Pty	Subject	Approval No/ Remarks
38			
39			
40			
41			
42			
43			
44			
45			
46			
47			
48			
49			
50			
51			
52			
53			
54			
55			
56			
57			
58			
59			
60			
61			
62			

CONDITIONS OF RELEASE

- 1 This information is released by the UK Government for Defence purposes only.
- 2 This information must be afforded the same degree of protection as that afforded to information of an equivalent security marking originated by the recipient Government or as required by the recipient Government's security regulations.
- 3 This information may be disclosed only within the Defence Department of the recipient Government, except as otherwise authorized by the Ministry of Defence (Army).
- 4 This information may be subject to privately owned rights.

TRUCK, 4 TONNE, 4 X 4, BEDFORD MJ

(ALL VARIANTS)

MODIFICATION INSTRUCTION NO. 1

CANCELLATION

INTRODUCTION

- 1 This Amendment authorises the cancellation of AESP 2320-H-100-811 Modification Instruction No. 1. Instruction cancelled as requirement now fulfilled.

ACTION

- 2 Remove all pages of AESP 2320-H-100-811 Modification Instruction No. 1 and destroy them.
- 3 File this amendment in its place.

Amendment record

- 4 Record the incorporation of this Amendment.

TRUCK, CARGO, 4 TONNE, 4 X 4 BEDFORD MJ (ALL VARIANTS)

MODIFICATION INSTRUCTION NO 2

Sponsor:
DGEME(A)
Data Centre Code: BVT 7B

Publications Authority
Vehs & Wpns Br REME
Project No.70912 (217)
File ref: VB50736/35

AMENDMENT RECORD

Amdt No	Incorporated by	Date	Amdt No	Incorporated by	Date
1			4		
2			5		
3			6		

SUBJECT: Winterisation

(MVEE Approval No 42074)

INTRODUCTION

1 This instruction refers to the winterisation of the vehicle to enable it to operate efficiently in arctic conditions. It introduces an additional cab heater, grill, radiator and screen blinds, insulated and heated battery box assy, rear mud flaps and cab roof hatch insulation.

1.1 Limitations on use of equipment: Nil.

APPLICABILITY

2 Truck Cargo 4 Tonne 4 x 4 Bedford MJ (all variants) from Chassis No 101794 when authorised by OR11 (Army) or MT2 (RAF).

REASON FOR MODIFICATION

3 Code 6 - to enable vehicles to operate in arctic conditions.

PRIORITY

4 ARMY: Routine) When authorised.
RAF: Class 3)

ESTIMATED TIME REQUIRED

5	Dismantling		man-hours
	Embodiment	130	man-hours
	Assembling		man-hours
	Testing		man-hours
	Manufacturing		man-hours

MODIFICATION IMPLEMENTATION PLAN

6

6.1 This modification is to be implemented by:

ARMY - Units authorised to carry levels 3 and 4 maintenance.

RAF - Units when authorised by MT2 (RAF).

6.2 Associated modification instructions. Nil.

6.3 Modification plate strike action: NA/

7 Action required by:

7.1 Units and establishments holding equipment

7.1.1 Examine vehicle documents to see if modification is applicable.

7.1.2 Examine vehicle or modification record plate to see if modification is embodied and where necessary demand the stores required.

7.1.3 ARMY - On receipt of stores, request REME to modify equipment.

7.1.4 ARMY - Record the modification Subject, AESP number and Army Modification Code in vehicle documents.

RAF - Record modification details on RAF Form 4870 and AF G1084A.

7.2 Army units authorised to carry out levels 3 and 4 maintenance, and RAF Units.

7.2.1 ARMY - When requested by authorised users or during overhaul, obtain the items listed in para 8 and carry out this modification.

RAF - On receipt of stores, embody the modification.

7.2.2 Record completion details of modification against appropriate entry in vehicle documents.

7.2.3 Complete AF G1084A when reporting completion of the modification to Data Centre using the following FORWARD codes:

ARMY: EQUIPMENT CODE - see para 2.

MODIFICATION CODE X00711.

RAF: MODIFICATION CODE AFC224.

7.3 All recipients of this instruction. Add particulars to AESP ref 2320-H-100-811 Mod Instr Index.

Stores, tools and equipment

8

8.1 Stores to be demanded.

8.1.1 The following modification sets are to be demanded quoting this instruction as authority for demand, and

8.1.2 Registration number of vehicle for equipment held by user units.

<u>Item No</u>	<u>COSA Section</u>	<u>NSN/Part No</u>	<u>Designation</u>	<u>Qty per eqpt</u>
A	7BD	2540-99-839-4176	Mod set: Cab heating and de-icing comprising:	1
1			Nozzle assy rh side window(FV781846)	(1)
2			Nozzle assy lh side window(FV781847)	(1)
3			Nozzle assy windscreen (FV781850)	(2)
4			Bracket assy header tank (FV782105)	(1)
5			Bracket assy, pipe (FV782110)	(1)
6			Duct assy, blower (FV782112)	(1)
7			Elbow assy (FV782121)	(1)
8			Clip, duct single (FV721688)	(3)
9			Screen, suction fan (FV721692)	(1)
10			Connector, hose (FV721696)	(1)
11			Plate, Kopex tubes (FV781772)	(1)
12			Grommet, Kopex tubes (FV781773)	(4)
13			Branch (FV781785)	(1)
14			Label, fan de-icing (FV781797)	(1)
15			Label, battery heating (FV781798)	(1)
16			Clip, duct, double (FV781820)	(6)
17			Guard, fan suction screen (FV781834)	(1)
18			Support, heat exchanger (FV781835)	(2)
19			Connection, heat exchanger (FV781856)	(1)
20			'U' Bolt (FV781858)	(1)
21			Ducting, heater 2.896m lg(FV781912/7)	(1)
22			Ducting, heater 2.134m lg(FV781912/8)	(1)
23			Ducting, heater 2.756m lg(FV781912/9)	(1)
24			Ducting, heater 1.753m lg(FV781912/10)	(1)

25			Hose	(FV781913/7)	(1)
26			Hose	(FV781913/8)	(1)
27			Seal	(FV782115)	(1)
28			Spacer	(FV782116)	(3)
29			Bracket, methyl alcohol bottle	(FV782117)	(1)
30			Pipe clip	(FV782144)	(1)
31			Label, coolant refilling	(FV782152)	(1)
32			Hose, radiator bottom (Vauxhall No RH519)		(1)
33			Hose, rubber, 2 in. id x 630 mm lg		(1)
34			Hose, PVC, clear 3/8 in. id x 1310 mm lg		(1)
35			Tubing, flexible, black 3/16 in. od x 380 mm lg		(1)
36			Tubing, flexible, black 3/16 in. od x 1270 mm lg		(1)
37	7/BD	2930-99-833-5200	Gasket, water outlet		(2)
38			Clip, hose 32-48 mm dia		(6)
39			Clip, hose, 61-79 mm dia		(4)
40			Clip, hose, 13-19 mm dia		(2)
41			Tie cable, nylon white 4.8 mm - 104 mm dia		(3)
42			Nut, sleeve 1/8 BSP		(4)
43			Cone		(4)
44			Switch, push pull (Lucas No 54033230)		(1)
45	G1	5305-99-977-3254	Screw, self tap, pan hd No8 x 6.5 lg		(22)
46	G1	5305-99-805-6811	Screw, self tap, pan hd No8 x 9.5 lg		(7)
47	G1	5305-99-977-3255	Screw, self tap, pan hd No8 x 13 lg		(6)
48	G1	5305-99-122-4165	Screw, self tap, pan hd No10 x 13 lg		(12)
49	G1	5306-99-941-0303	Bolt, hex hd 5/16 in. UNF x 2 1/2 in. lg		(1)
50	G1	5306-99-941-0305	Bolt, hex hd 5/16 in. UNF x 3 in. lg		(1)
51	G1	5305-99-136-3255	Screw, hex hd M5 x 30 lg		(3)
52	G1	5305-99-135-0442	Screw, pan hd slotted M6 x 25 lg		(4)
53	G1	5305-99-122-5361	Screw, hex hd M6 x 20 lg		(4)
54	G1	5305-99-122-5365	Screw, hex hd M8 x 16 lg		(1)
55	G1	5310-99-122-5294	Nut, steel hex M5		(3)
56	G1	5310-99-122-5295	Nut, steel hex M6		(12)
57	G1	5310-99-122-5296	Nut, steel hex M8		(1)
58	G1	5310-99-138-9226	Washer, lock, SC M5		(3)
59	G1	5310-99-137-9232	Washer, lock, SC M6		(10)
60	G1	5310-99-138-9227	Washer, lock SC M8		(1)
61	G1	5310-99-122-6474	Washer, flat steel M6		(4)
B	7/BD	2540-99-839-4187	Mod Set: Battery Box Fitting (FV782172)		1
			Comprising:		
62			Pipe c/w nipples	(FV586292/6)	(1)
63			Pipe assy battery to tee piece	(FV586518/6)	(2)
64	6/MT1	4730-99-801-8722	Adaptor tee		(1)
65			Socket, fixed	(FV634272)	(1)
66			Spacer	(FV722044)	(4)
67			Connector	(FV782149)	(3)

68			Clip hose	(FV781809)	(1)
69			Battery vent assy c/w mounting bracket and fixings	(FV782174)	(1)
70			Adaptor	(FV985996)	(1)
71			Grommet, cable, 1/2 in. id x 3/8 in. PT		(1)
72			Grommet, cable, 13/16 in. id x 5/32 in. PT		(2)
73			Elbow rubber 5/8 in. id		(2)
74			Hose rubber 5/8 in. id x 1067 mm lg		(1)
75			Hose rubber 5/8 in. id x 2439 mm lg		(1)
76			Clip, hose 16-22 mm dia		(9)
77			Unallocated		
78			Terminal, ring type (Ampliversal ref no 33470)		(2)
79			Cable, battery to starter red PVC outer 3 m lg		(1)
80			Cable tie, nylon natural white 1.6 mm - 78 mm dia		(6)
81	G1	5305-99-135-0425	Screw pan hd M4 x 20 lg		(1)
82			Screw hex hd slotted 2BA x 16 mm lg		(2)
83	G1	5305-99-122-5359	Screw, hex hd M6 x 12 lg		(2)
84	G1	5305-99-122-6440	Screw, hex hd M6 x 40 lg		(4)
85	G1	5310-99-122-5295	Nut hex, M6		(6)
86	G1	5310-99-137-9232	Washer, lock SC M6		(6)
87	G1	5310-99-138-9225	Washer, lock SC M4		(1)
88	G1	5310-99-135-0755	Nut, hex M4		(1)
C	7/BD	2540-99-839-4278	Mod Set: Cab Hatch insulation assy comprising:	(FV781832)	1
89			Hatch, bottom	(FV781851)	(1)
90			Hatch, middle	(FV781852)	(1)
91			Spacer	(FV781853)	(3)
92			Spacer	(FV781854)	(2)
93	G1	5305-99-137-8254	Screw self tap pan hd No 8 x 32 lg		(6)
94	G1	5305-99-	Screw, self tap, pan hd No 8 x 38 lg		(2)
95	G1	5310-99-122-3031	Washer steel flat		(8)
D	7/BD	2540-99-839-4279	Mod Set: Blind and Installation Kit, front windscreen comprising:	(FV782097)	1
96			Blind assy, front windscreen	(FV781828)	(1)
97			Bar, fixing	(FV782101)	(1)
98			Strap	(FV781911/1)	(2)
99		5340-99-829-2983	Clip	(FV721819)	(2)

100			Velcro mounting assy 552 mm lg	(FV782246/2)	(2)
101	G1	5305-99-977-3255	Screw, self tap, pan hd No 8 x 13 lg		(4)
102	G1	5305-99-122-5356	Screw, hex hd, M5 x 16 mm lg		(6)
103	G1	5310-99-122-3032	Washer, flat, steel M5		(12)
104	G1	5310-99-138-9226	Washer, lock SC M5		(6)
105	G1	5310-99-122-5294	Nut, plain, hex steel M5		(6)
106			Rivet "Pop" 3.2 mm dia x 7.9 mm lg		(22)
			(Tucker Pt No TAP/D46BS)		
E	7/BD	2540-99-839-4280	Mod Set: Blind and Installation Kit, Radiator Grill	(FV782098)	1
			comprising:		
107			Blind assy radiator grill		
				(FV782106)	(1)
108			Bar fixing	(FV722040)	(1)
109		5340-99-829-2983	Clip	(FV721819)	(4)
110			Velcro mounting assy	(FV782246/2)	(1)
111	G1	5305-99-977-3255	Screw, self tap, pan hd No 8 x 13 lg		(15)
112			Rivet "Pop" 3.2 mm dia x 7.9 mm lg		(11)
F	7/BD	2540-99-839-4281	Mod Set: Blind and Installation Kit lh side window	(FV782248)	1
			comprising:		
113			Blind assy lh side window	(FV781830)	(1)
114			Bar fixing	(FV782103)	(1)
115		5340-99-829-2983	Clip	(FV721819)	(1)
116			Strap	(FV781911/1)	(2)
117			Velcro mounting assy 908 mm lg	(FV782246/1)	(1)
118			Velcro mounting assy 495 mm lg	(FV782246/4)	(2)
119	G1	5305-99-977-3255	Screw, self tap pan hd No 8 x 13 mm lg		(2)
120			Rivet "Pop" 3.2 mm x 7.9 mm lg		(30)
121	G1	5310-99-122-5294	Nut steel, hex M5		(5)
122	G1	5310-99-138-9226	Washer, lock SC M5		(5)
123	G1	5310-99-122-3032	Washer, flat steel M5		(10)
124	G1	5305-99-122-5357	Screw, hex hd M5 x 20 mm lg		(5)
G	7/BD	2540-99-839-4282	Mod Set: Blind and Installation Kit rh side window	(FV782249)	1
			comprising:		

125			Blind assy rh side window (FV781829)	(1)	
126			Bar fixing (FV782103)	(1)	
127			Strap (FV781911/1)	(2)	
128		5340-99-829-2983	Clip (FV721819)	(2)	
129			Velcro mounting assy 908 mm lg (FV782246/1)	(1)	
130			Velcro mounting assy 495 mm lg (FV782246/4)	(1)	
131	G1	5305-99-977-3255	Screw, self tap, pan hd No 8 x 13 mm lg	(4)	
132	G1	5305-99-122-5357	Screw, hex hd M5 x 20 mm lg	(5)	
133	G1	5310-99-122-5294	Nut, plain hex M5	(5)	
134	G1	5310-99-438-9226	Washer, lock SC M5	(5)	
135	G1	5310-99-122-3032	Washer, flat steel M5	(10)	
136			Rivet "Pop" 3.2 mm dia x 7.9 mm lg	(30)	
H	7/BD	2540-99-839-4283	Mod Set: Blind and Installation Kit, rear cab (FV782250)		1
			comprising:		
137			Blind assy, rear cab (FV782108)	(1)	
138			Strap (FV781911/1)	(2)	
139			Bar fixing (FV782109)	(1)	
140		5340-99-829-2983	Clip (FV721819)	(3)	
141	G1	5305-99-977-3255	Screw, self tap, pan hd No 8 x 13 mm lg	(12)	
J	7/BD	2540-99-839-4284	Mod Set: Radiator Blind Installation (FV782128)		1
			comprising:		
142			Blind assy radiator (FV781821)	(1)	
143	G1	5305-99-122-4911	Screw, hex hd M10 x 30 mm lg	(4)	
144	G1	5310-99-122-5297	Nut, hex steel M10	(4)	
145	G1	5310-99-138-9228	Washer, lock SC M10	(4)	
146	G1	5310-99-122-6476	Washer plain steel M10	(24)	
K	7/BD	2540-99-839-4285	Mod Set: Rear Mud flaps (FV781762)		1
			comprising:		
147			Mud flap rear (FV722050)	(2)	
148			Angle, fixing, rear mud flap (Drivers Side) (FV781760)	(1)	
149			Angle, fixing, rear mud flap (passengers side) (FV781777)	(1)	
150			Strip, fixing, rear mud flap (FV781761)	(2)	
151	G1	5305-99-941-0513	Screw, steel, hex hd 1/4 in. UNF x 3/4 in. lg	(10)	
152	G1	5310-99-941-0924	Nut, steel hex 1/4 in. UNF	(10)	
153	G1	5310-99-944-0548	Washer, lock SC 1/4 in. id	(10)	

8.2 Stores to be demanded as individual items.

154	7/BD	2990-99-781-5344	Heat exchanger	(FV871825)	1
155	7/BD	2540-99-781-5345	Battery casing and insulation assy	(FV781823)	1

8.3 Stores or suitable equivalent to be obtained locally.

156	Y3	6145-99-943-4824	Cable Unipren 12	As reqd.
157	CA	8315-99-136-3125	Velcro hooks 50 mm wide self adhesive, olive drab	As reqd.

8.4 Stores to be removed and returned to RAOC

158			Battery box assy	1
-----	--	--	------------------	---

Sequence of operations

9 Carry out the modification as follows:

Note...

The item numbers of para 8 are used as references throughout this instruction.

9.1 Drain cooling system.

9.2 Remove and modify radiator outlet pipe using branch pipe (item 13) by welding and drilling as detailed in Fig. 3. Refit after modification.

9.3 Disconnect thermostat top hose and remove thermostat cover. Fit heat exchanger connection (item 19) and rebuild using new gaskets (item 37) and longer bolts (item 49 and 50) as detailed in Fig. 2 view on arrow 'A'. Modify thermostat bracket to dimensions shown in Fig. 4 and refit.

9.4 Remove and reposition header tank to rear exterior of cab using bracket (item 4) and fixings (item 52, 56, 59 and 61) as detailed in Fig. 5.

9.5 Remove and reposition methyl bottle using bracket (item 29) securing with original fixings and self tapping screws (item 46) as detailed in Fig. 5.

Refer to Fig. 6

9.6 Remove and retain all stowage clips and fixings from cab rear shelf. Modify shelf as detailed to accept heat exchanger (item 154) and Kopex plate (item 11). Fit Kopex plate with grommets (item 12) to underside of shelf at 312 mm x 76 mm cut out and secure with self tapping screws (item 47).

Sequence of operations (Cont'd).

9.7 Using support brackets (item 18) as templates positioned on heat exchanger unit assy at 263 mm centres as shown, drill eight holes 2.95 mm dia (No 32 drill) through heat exchanger housing as shown. Secure brackets to housing with self tapping screws (item 45). Remove existing flange from top of fan unit of exchanger assy and replace with blower duct assy (item 6) secured with existing fixings. Fit seal (item 27) over top flange of duct and insert spacer (item 28) into each hole in gasket. Align spacers with holes in top flange and fit complete heat exchanger assy to underside of top shelf and secure with fixings (item 53, 56 and 59) at support bracket location. Refit previously removed fan unit top flange with suction screen (item 9) and guard (item 17) in that sequence on top of shelf over fan unit securing with fixings (item 51, 55 and 58). Refit all stowage clips to new positions on shelf where detailed, securing with original fixings. Using felt removed from new positions of stowage clips and suitable adhesive locally supplied cover the original positions on shelf.

Refer to Fig. 7

9.8 Drill one hole 9.5 mm and fourteen holes 2.5 mm dia. in dash panel at positions detailed. Fit switch (item 44) to 9.5 mm dia holes and labels (item 14, 15 and 31) to 2.95 mm dia holes securing each with self tapping screws (item 45).

Refer to Fig. 2

9.9 Fit air nozzles (item 3) over front windscreen as shown and secure with self tapping screws (item 46). Fit air nozzle (item 1) over rh door aperture and air nozzle (item 2) over lh door aperture securing both with self tapping screws (item 46). Ensure that both nozzles are fitted high enough to clear door aperture. Connect heat exchanger outlet nozzles to air nozzles using appropriate length ducting (item 21, 22, 23 and 24) securing to cab roof with clips (item 18 and 16) and self tapping screws (item 48).

Refer to Fig. 8

9.10 Remove existing battery box assy from chassis and replace with heated and insulated battery box assy (item 155) securing with existing fixings.

9.11 Using slave socket (item 65) as template positioned on chassis side member where shown, mark off and drill four 6.5 mm dia. holes through member. Fit socket to chassis securing with fixings (item 84, 85 and 86) and with a spacer (item 66) on each bolt interposed between socket and side member. Open out existing hole in sidemember adjacent to socket to 21 mm dia. and fit grommet (item 71). Connect socket to starter motor and to earth using cable (item 79) and ring type terminals (item 78) as shown. Secure cable, socket to starter motor, to existing starter motor cable with cable ties (item 80) as necessary.

Sequence of operations (Cont'd).

9.12 Fit battery vent assy c/w mounting bracket (item 69) to rear side of battery box with supplied fixings, attachment holes already drilled in box. Feed existing battery cables into battery box, pushing out blanking grommets and replacing them with grommets (item 72) as necessary. Fit and secure correct type batteries (Fig. 8 Note 6 refers) into battery box and connect battery cables to battery terminals as shown. Connect flame trap assy (item 69) to batteries with breather pipe assy (item 62, 63 and 64).

Refer to Fig. 2

9.13 Fit bracket (item 5) to engine air cleaner lower clamp bolt. Connect heat exchanger outlet to branch pipe (item 13) at thermostat with hose (item 25) fed through bracket (item 5) and secured with clips (item 38). Connect heat exchanger inlet to connection (item 19) on thermostat with hose (item 26) secured with clips (item 38). Disconnect cab heater hose at water pump end and reconnect to battery heater inlet using rubber elbow (item 73) connectors (item 67) hose (item 74) and clips (item 76) as detailed. Connect battery heater outlet to pump end using rubber elbow (item 73) connector (item 67) hose (item 75) and clips (item 76). Secure both battery heater hoses to chassis with clip (item 68) securing with fixings (item 81, 87, and 88).

Refer to Fig. 5

9.14 Remove 180 mm length of cab rear panel bottom lip to accommodate connection of header tank to radiator top hose using hose (item 33) elbow assy (item 7) and clips (item 39) as detailed. Drill two holes 6.5 mm dia in cab rear panel at position shown to accommodate 'U' bolt (item 20). Secure bolt with fixings (item 56 and 59). Replace rear section of header tank overflow pipe with plastic pipe (item 34) securing to tank and intermediate steel pipe with clips (item 40) and to header tank outlet pipe (item 33) with cable ties (item 41).

9.15 Replace pipe, methyl bottle check valve to governor valve with tubing (item 35) securing with cones and sleeve nuts (item 42 and 43). Replace pipe, methyl bottle check valve to compressor with tubing (item 36) securing with cones and sleeve nuts (item 42 and 43).

9.16 Using cable (item 156) complete wiring of switch (item 44) to heat exchanger and vehicle fuse box as shown in Fig. 9.

9.17 Fit cab roof hatch insulation panels (item 89 and 90) to hatch with spacers (item 91 and 92) as detailed in Fig. 10 securing with fixings (item 93, 94 and 95).

9.18 Fit radiator blind assy (item 142) securing to chassis with fixings (item 143, 144, 145 and 146) as detailed in Fig. 11, cab centre panel to be drilled as shown to accommodate blind operating cable.

9.19 Fit cab screen and radiator grill blinds (item 96, 107, 113, 125 and 137) securing with items listed in each kit as detailed in Fig 12, velcro strips where called for are to be secured to cab with "pop" rivets.

9.20 Fit rear mudflaps (Item 147) to underside of rear stowage boxes as shown in Fig. 13, as detailed with angle (Item 148, 149) and strip (Item 150) securing with fixings (Item 150, 151, 152 and 153).

9.21 Refill cooling system with anti-freeze.

Testing and embodiment

10 Run engine, check operations, bleed system and check for coolant leaks.

EFFECT ON WEIGHT

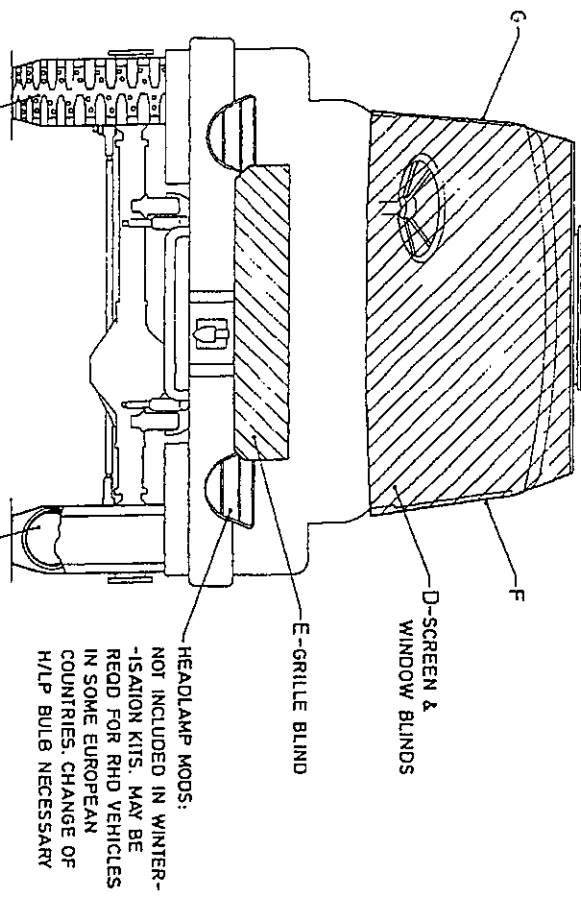
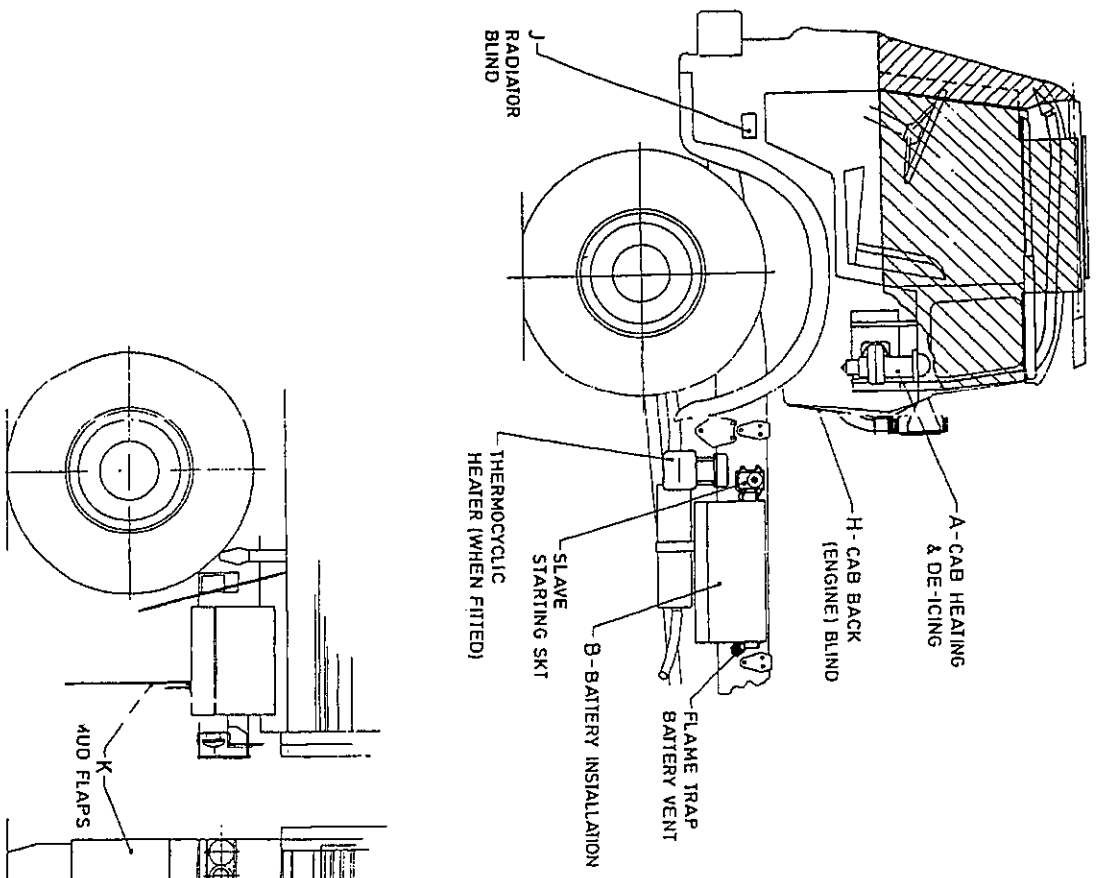
11 Negligible.

PUBLICATION AMENDMENTS

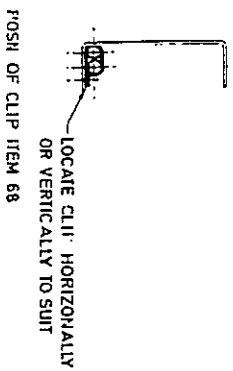
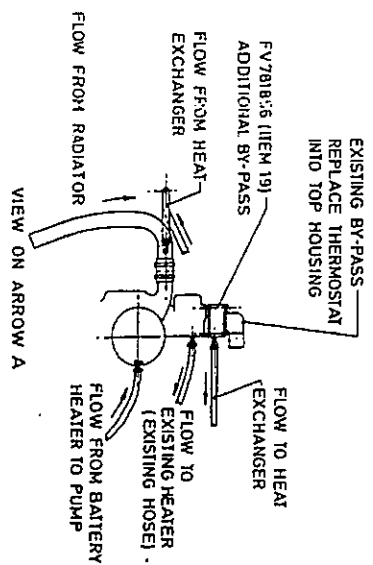
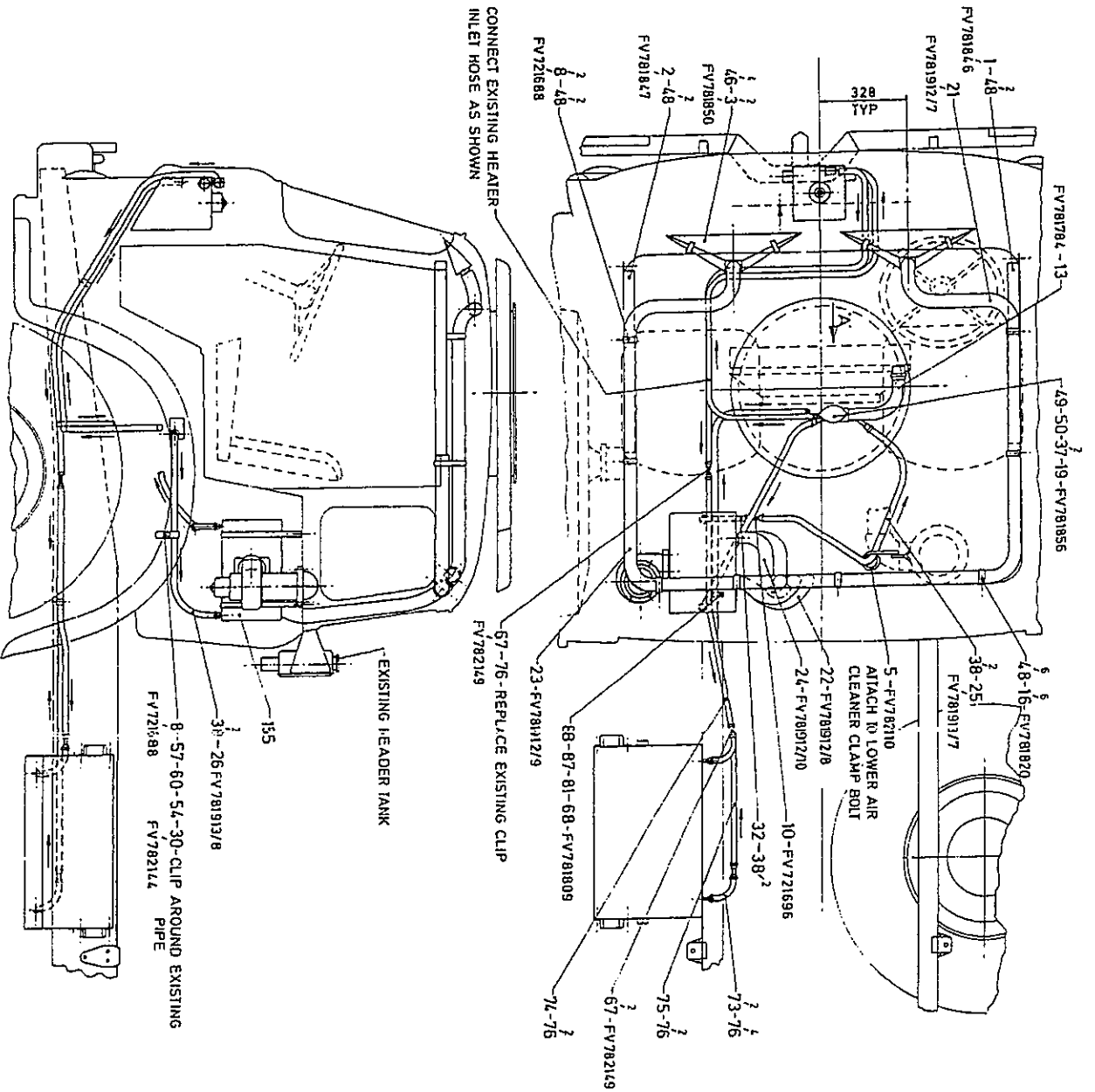
Note...

Necessary amendments will be issued separately.

12 Nil.



STUDDED TYRES - STUDS ARE FITTED IN A DEFINITE PATTERN TO SUIT SIZE & TREAD FORM
ALTERNATIVELY THEY SHOULD BE FITTED BY TRAINED PERSONNEL USING SPECIAL STUDDING TOOLS. FOR STUD SPEC & PATTERN REFER TO AESP 2810-A-409-301 CHAP 4
SNOW CHAINS - REFER TO EMER WHD VEHs A.481 (ARMY)
AP1464E 2nd EDITION BK2 CHAP 6.10(1RAF)



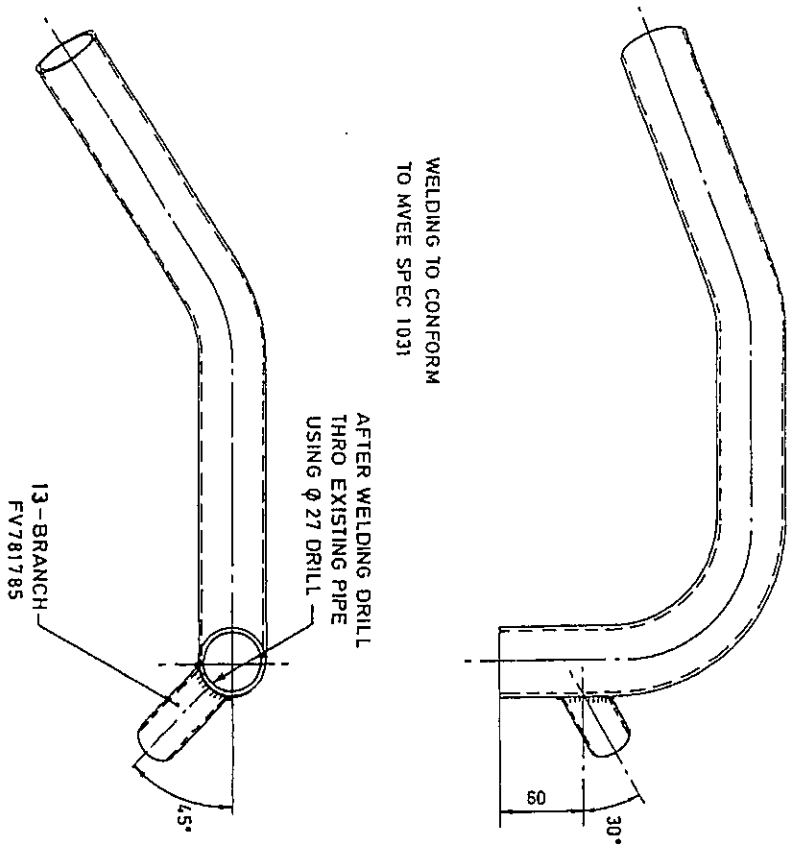
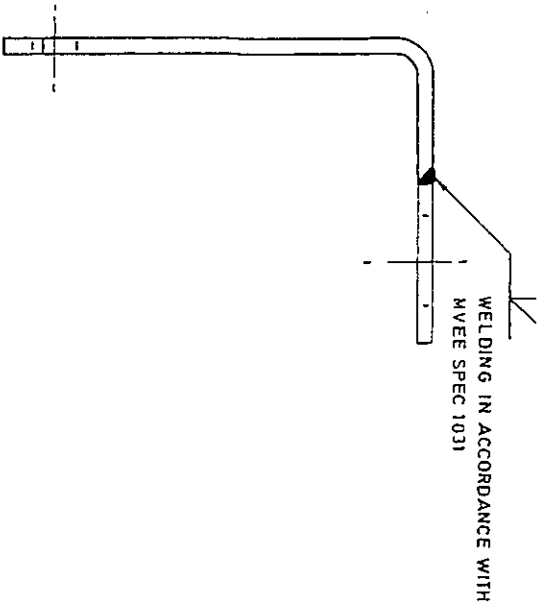
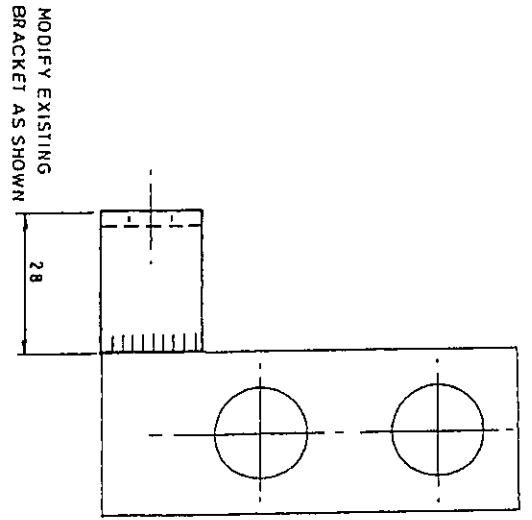
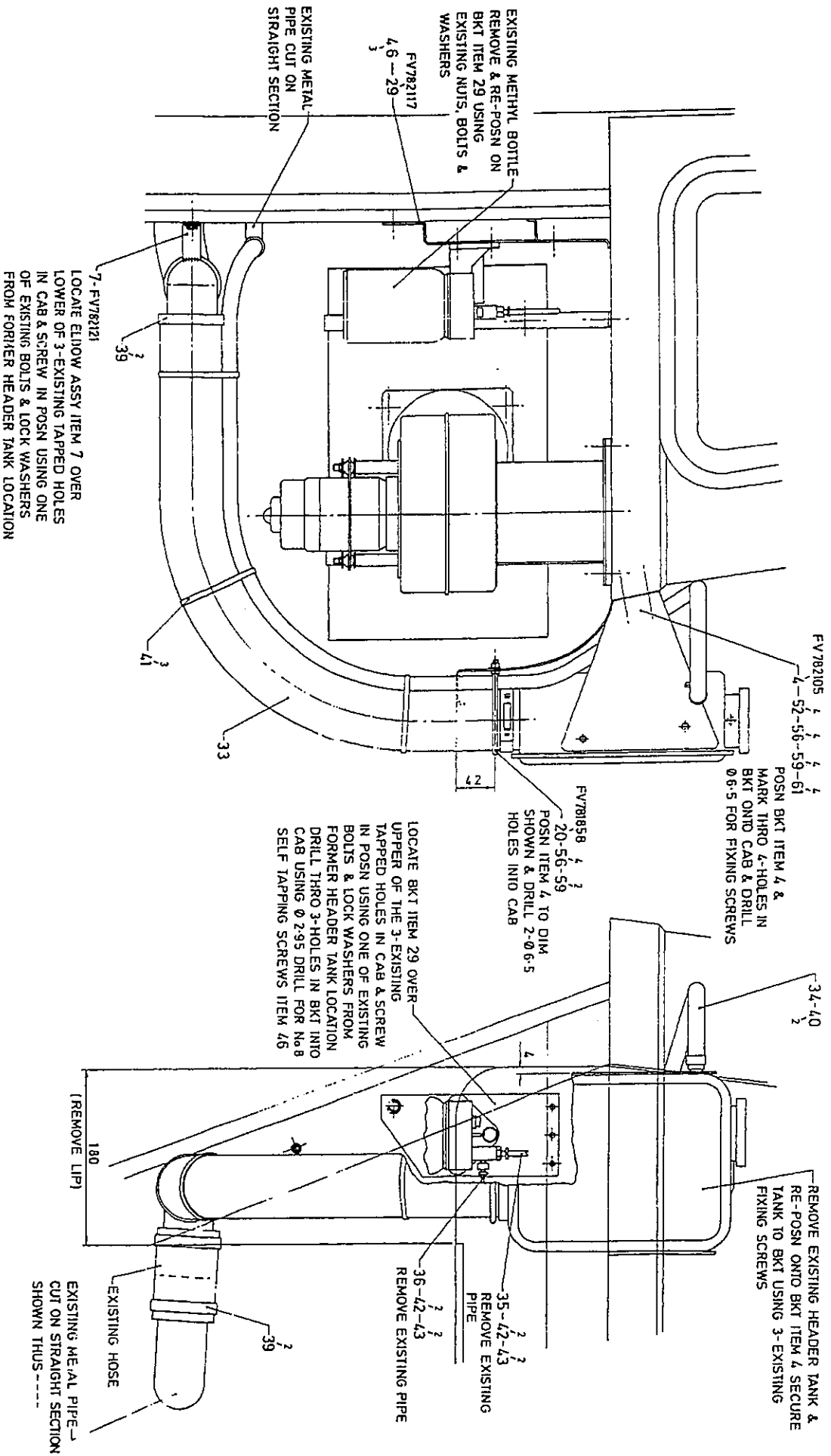
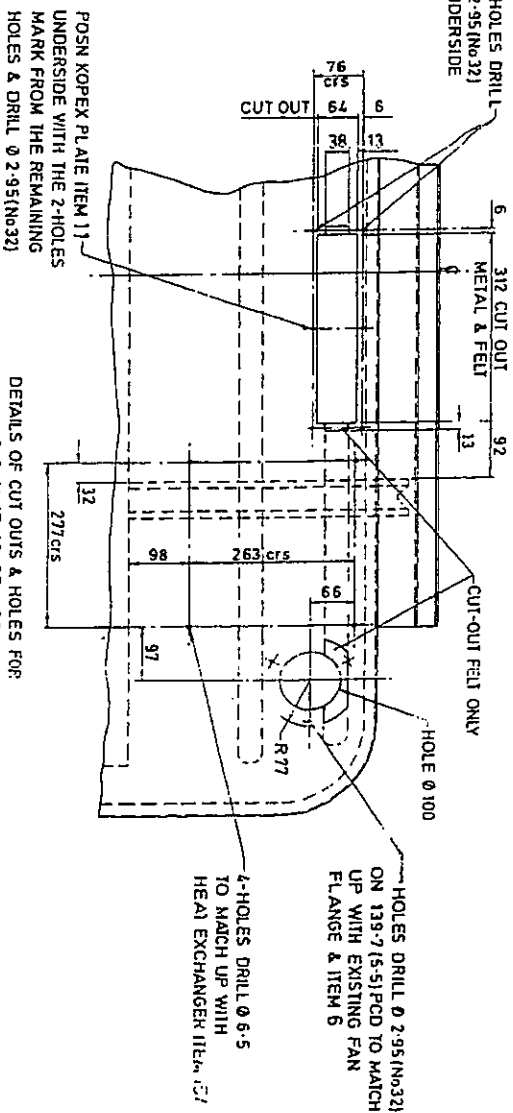
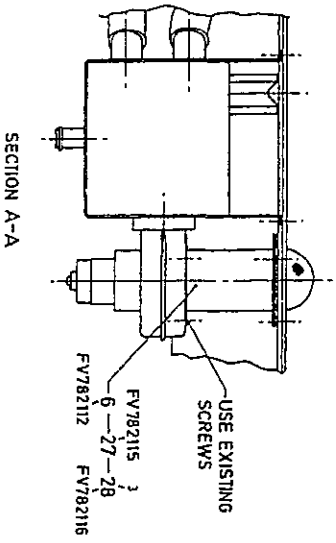
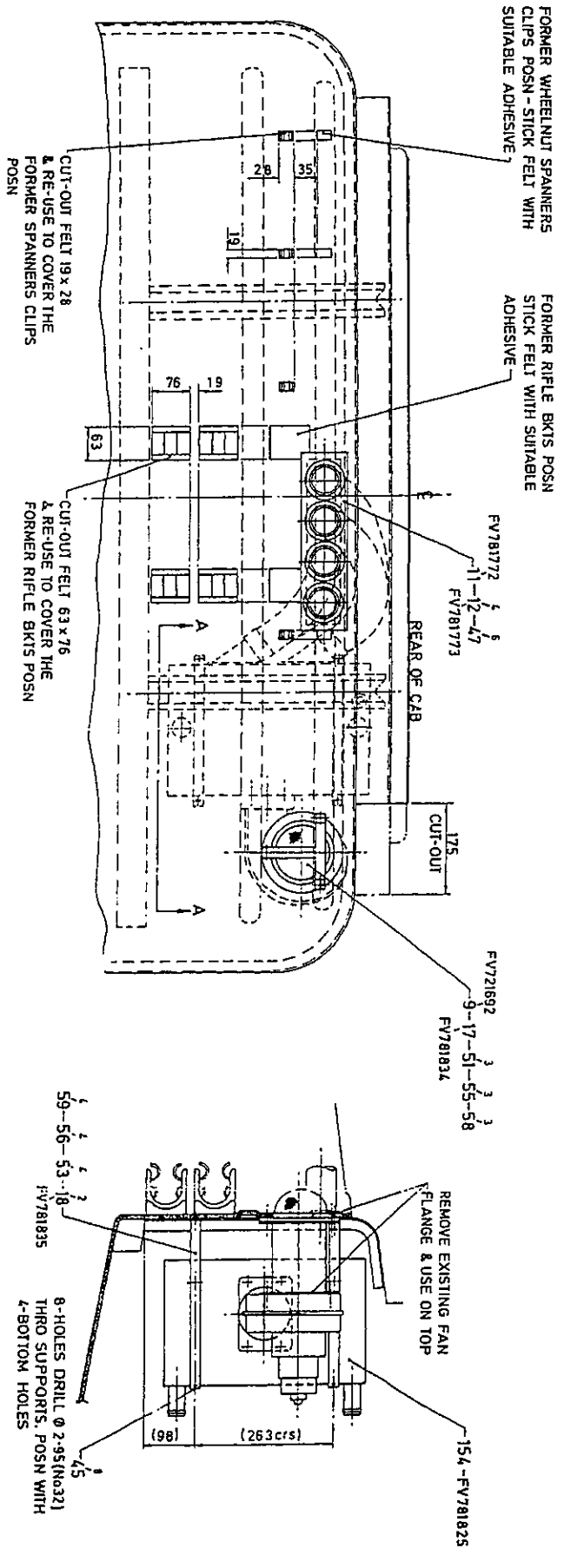


Fig 3 Addition of branch to existing
radiator outlet (dimensions in mm)

V6927/5







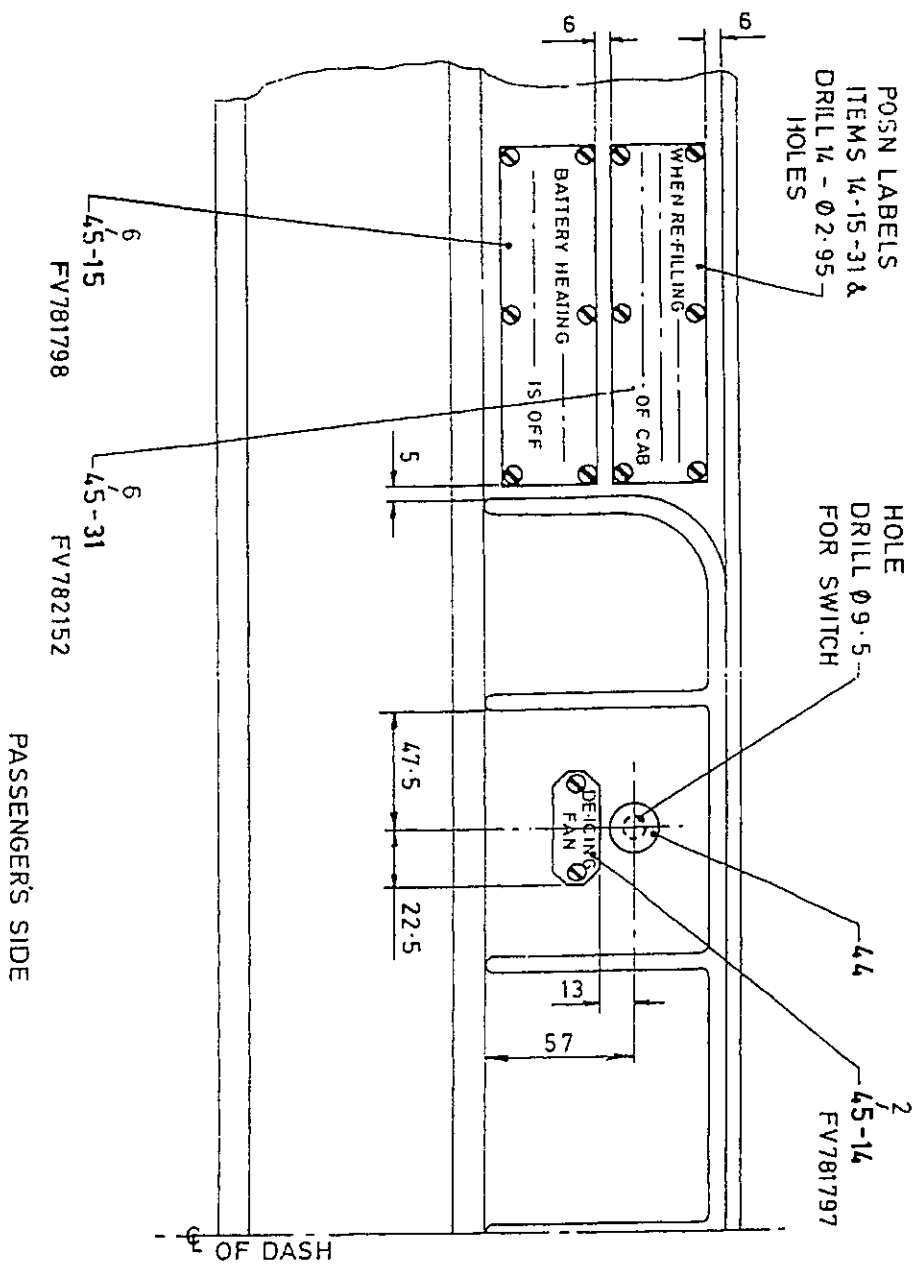
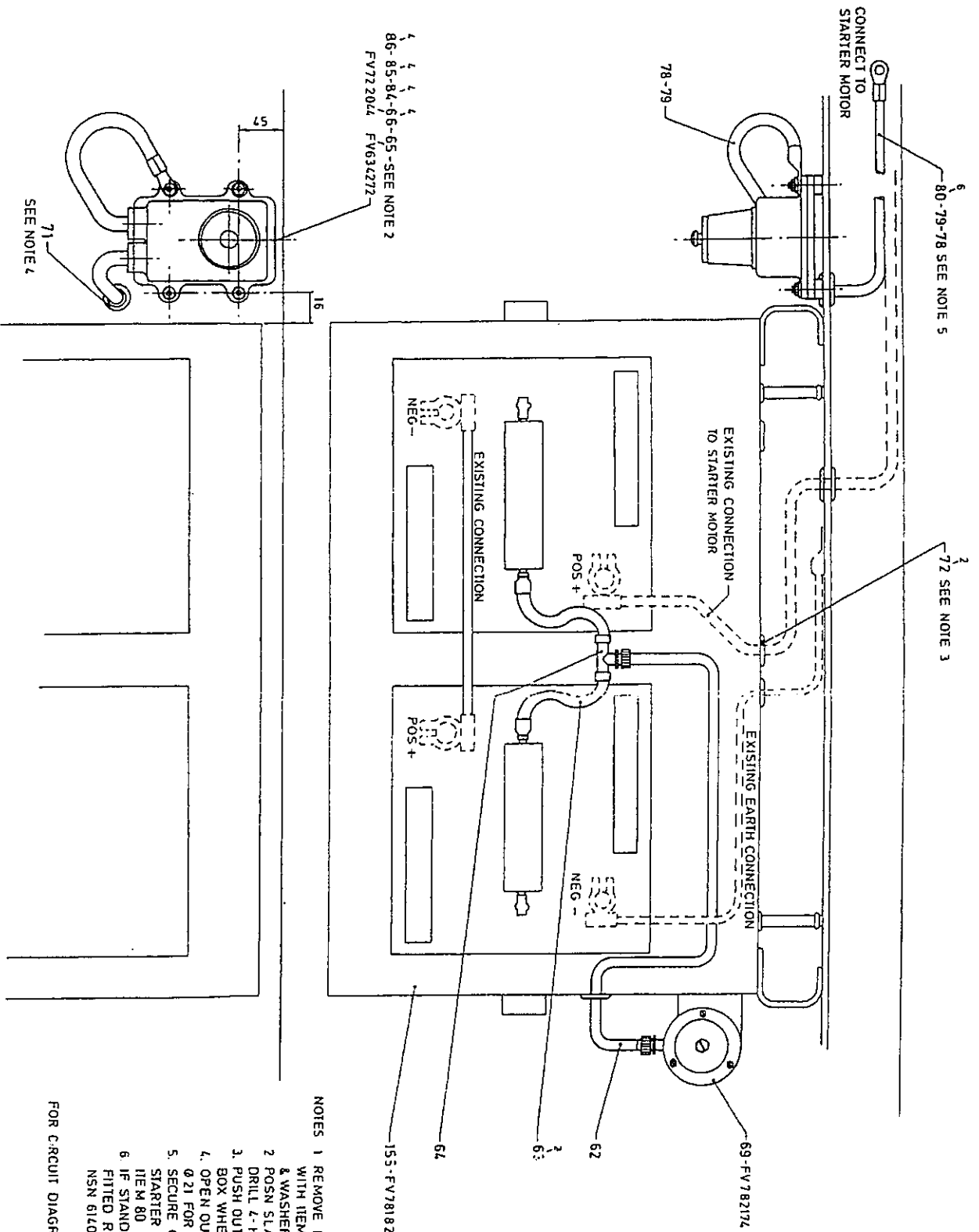


Fig 7

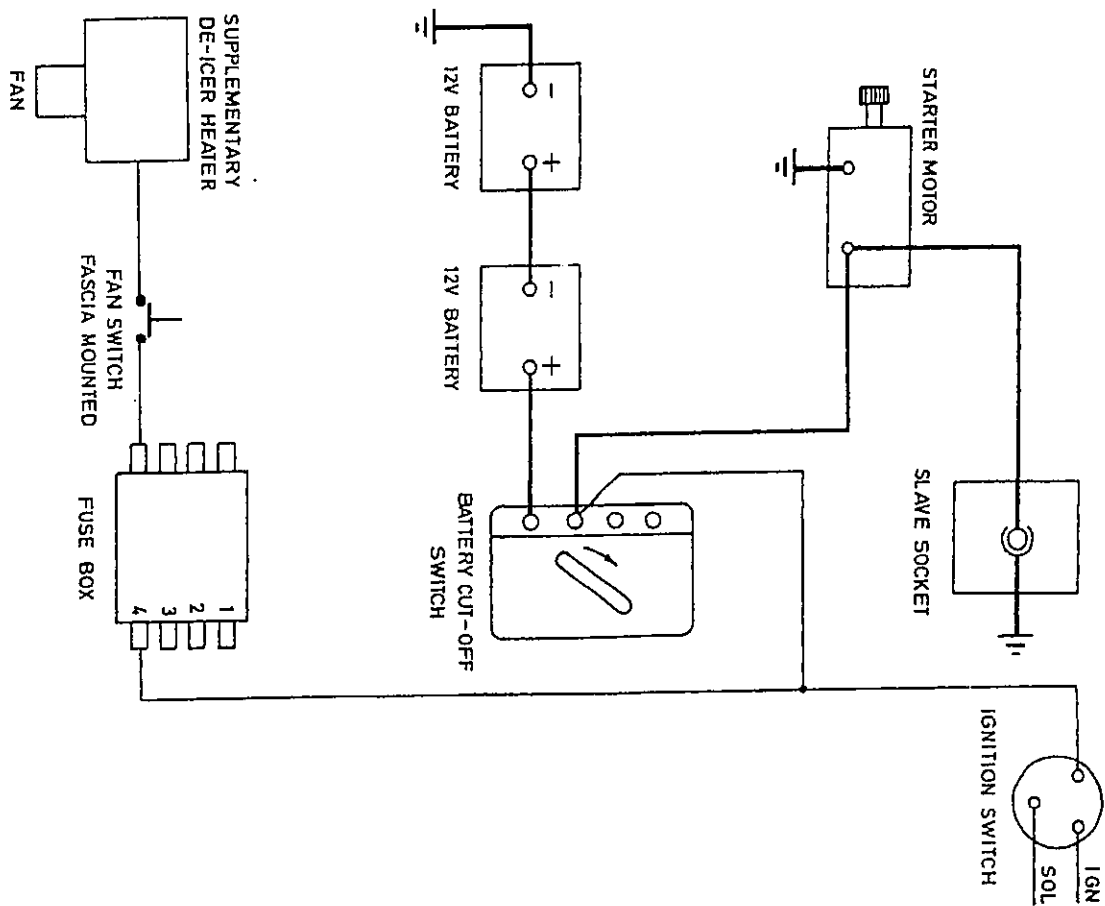
Location of fan switch and labels
(Dimensions in mm)

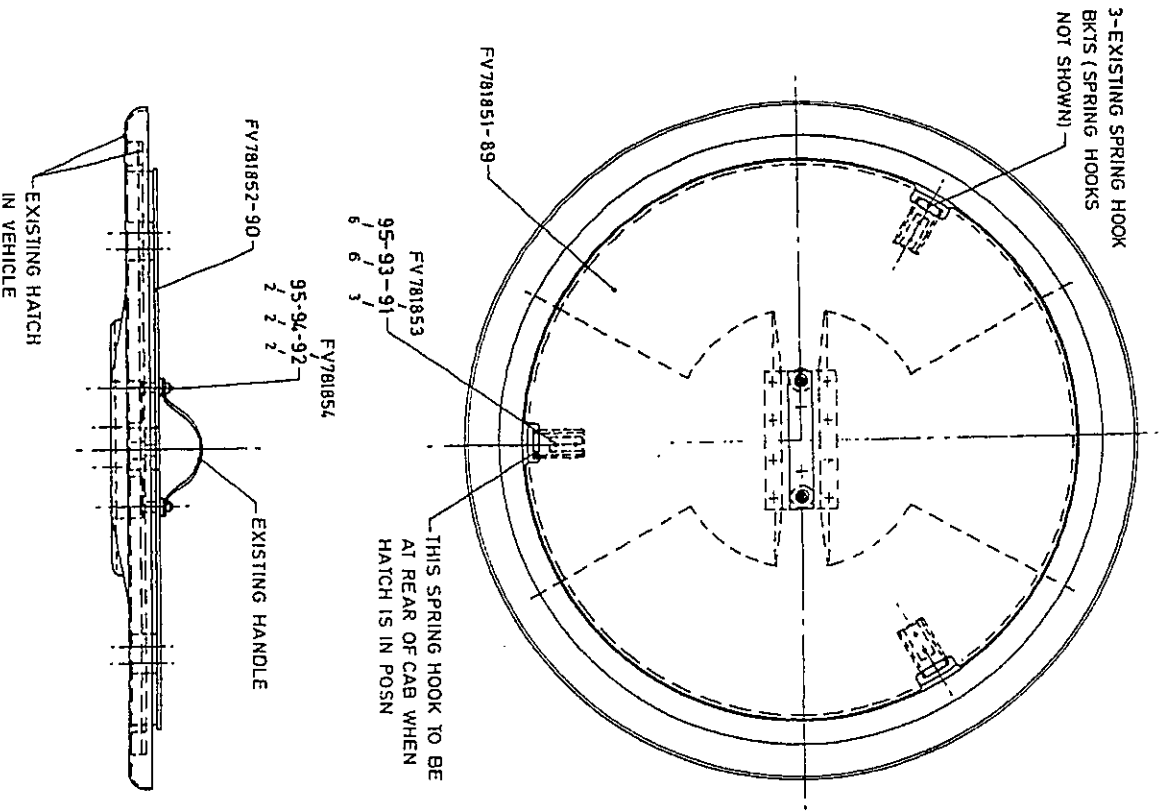
V6927/3

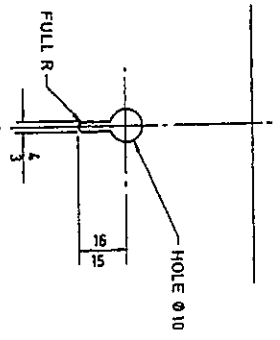
Fig 7



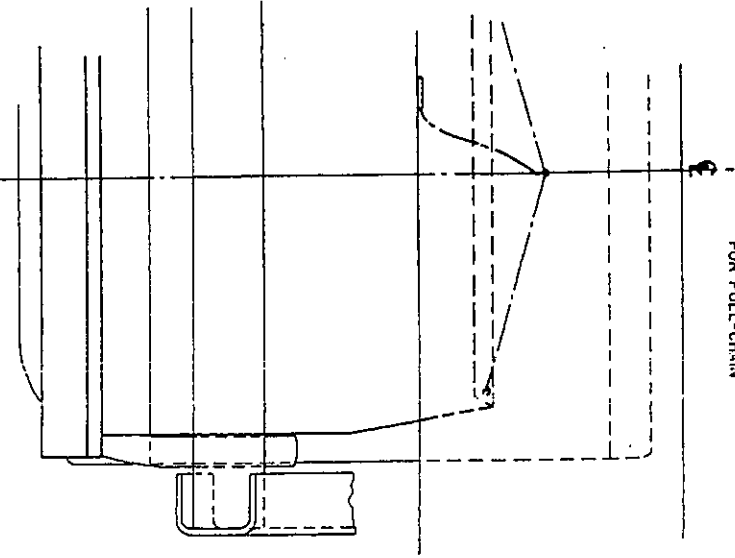
- NOTES
- 1 REMOVE EXISTING BATTERY BOX & REPLACE WITH ITEM 155 USING EXISTING NUTS, BOLTS & WASHERS
 - 2 POSN SLAVE SK ITEM 65 TO DIMS SHOWN & DRILL 4 HOLES Ø 6.5 IN CHASSIS
 - 3 PUSH OUT BLANKING GROMMETS IN BATTERY BOX WHERE REQD & REPLACE WITH ITEM 72
 - 4 OPEN OUT EXISTING HOLE IN CHASSIS TO Ø 21 FOR GROMMET ITEM 71
 - 5 SECURE CABLE ITEM 79 TO EXISTING STARTER MOTOR CABLE USING NYLON TIES ITEM 80
 - 6 IF STANDARD COMMERCIAL BATTERIES ARE FITTED REPLACE WITH 6 IN BATTERIES NSN 6140-99-803-4364
- FOR CIRCUIT DIAGRAM SEE V692779



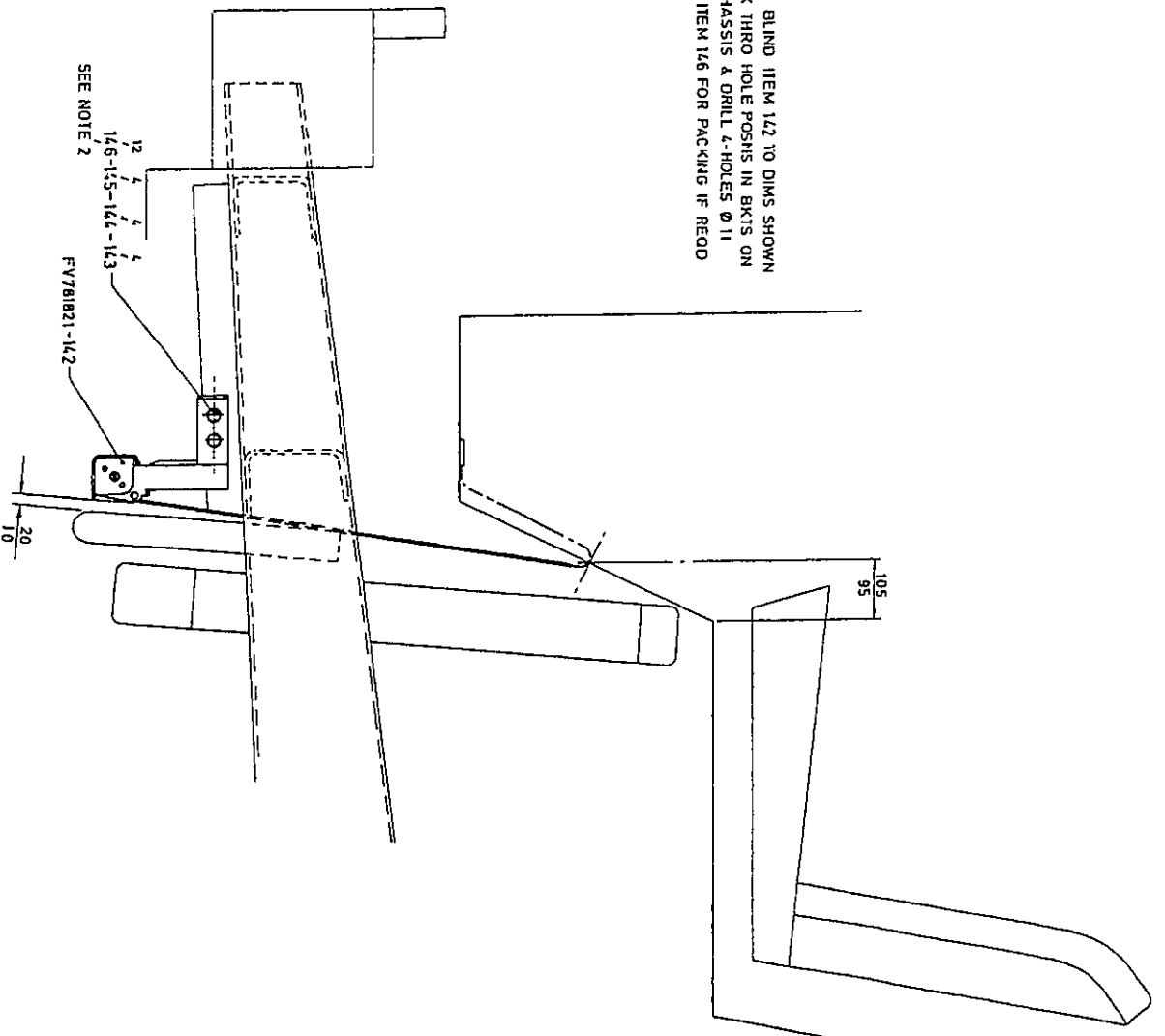


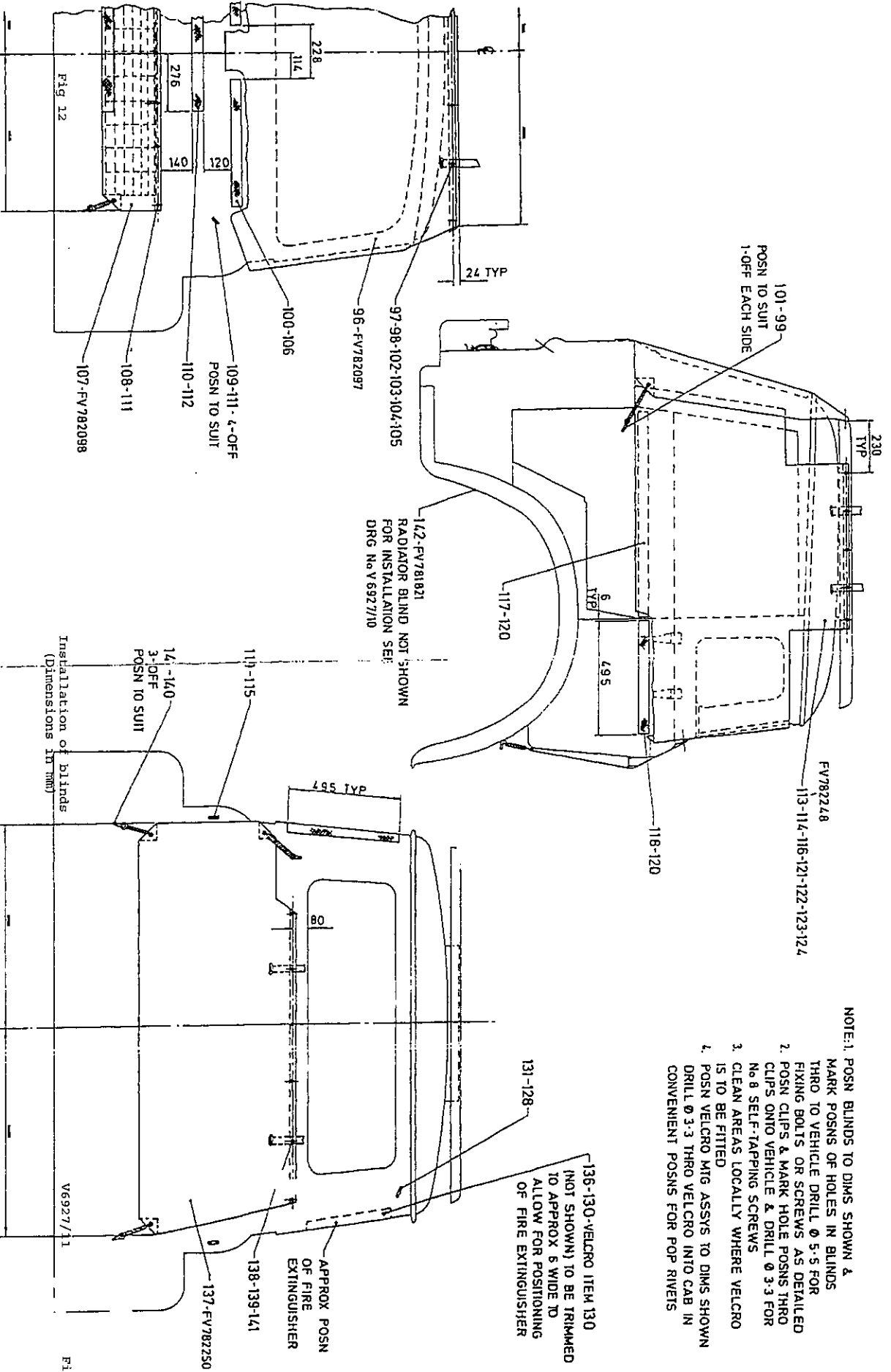


DETAILS OF PANEL CUT-OUT
FOR PULL-CHAIN



- NOTE**
1. POSN BLIND ITEM 142 TO DIMS SHOWN
MARK THRO HOLE POSNS IN BKTS ON
TO CHASSIS & DRILL 4-HOLES Ø 11
 2. USE ITEM 146 FOR PACKING IF REOD





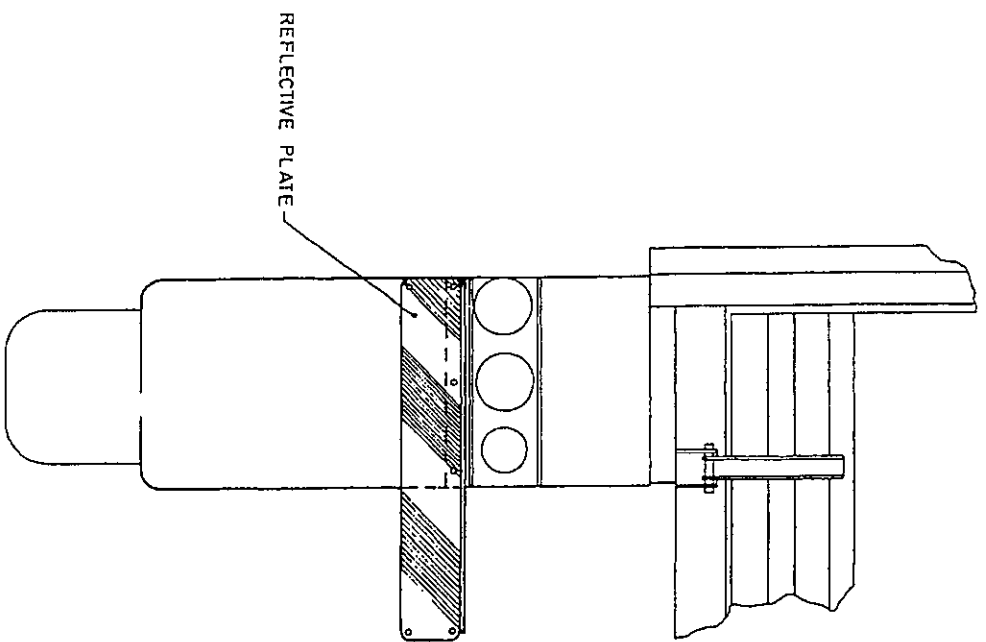
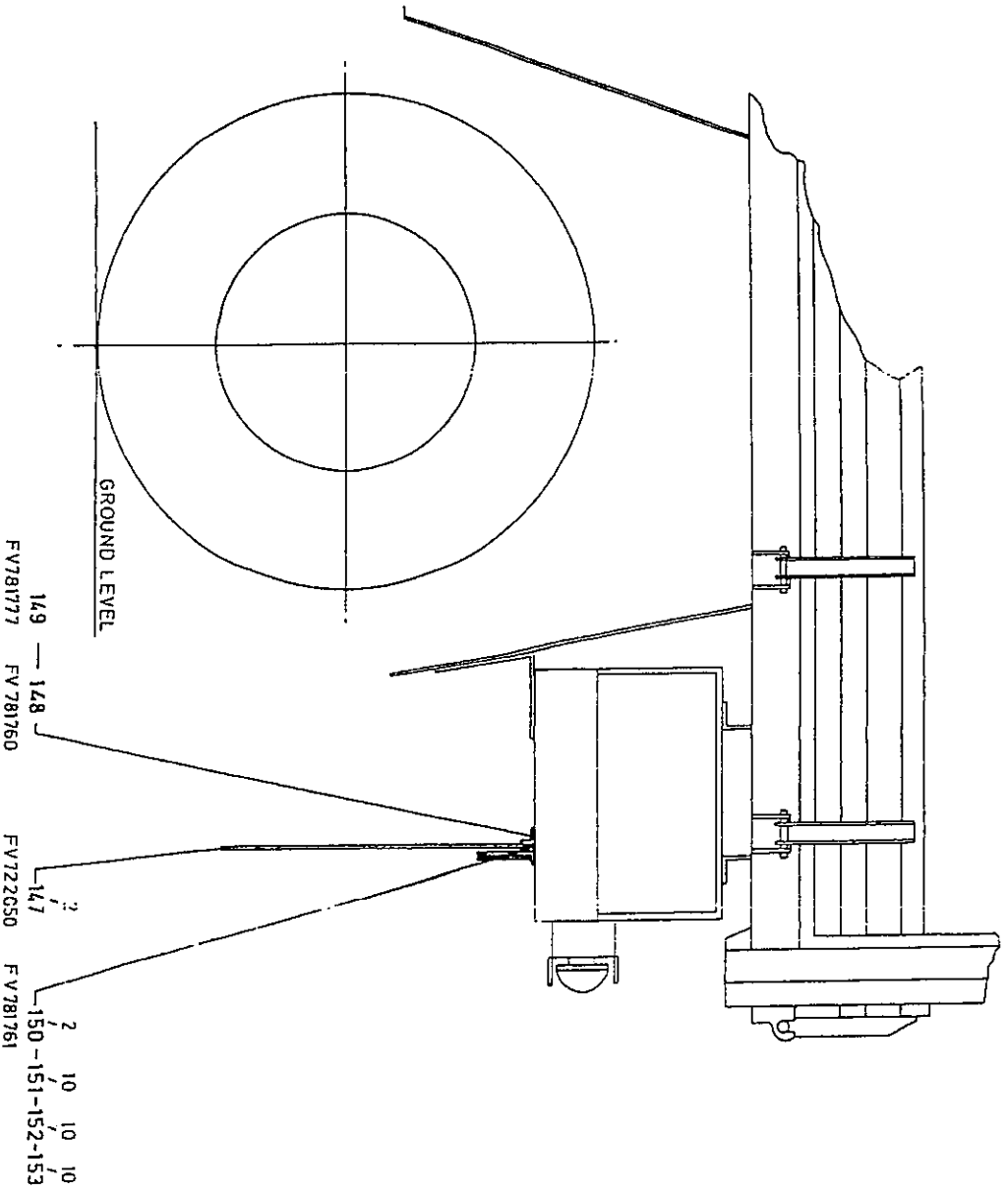


Fig 13
(VB/001)

V6927/2
Fig 13
PASSENGER'S SIDE OF VEHICLE

TRUCK CARGO 4 TONNE 4 x 4 BEDFORD MJ (ALL VARIANTS)

MODIFICATION INSTRUCTION NO 3

Sponsor:
DGEME(A)

Publications Authority
Vehs & Wpns Br REME
Project No: 70912 (281)
File ref: 50736/37

AMENDMENT RECORD

Amdt	Incorporated by	Date	Amdt	Incorporated by	Date
1			4		
2			5		
3			6		

SUBJECT: "Durlock" bolts (MAE Approval No 12-1931)

INTRODUCTION

1 This instruction introduces "Durlock" headed bolts to the front and rear axles differential assemblies to overcome loosening of existing bolts in service. To be embodied only on overhaul or repair of differential assys.

1.1 Limitations on use of equipment. Nil.

APPLICABILITY

2 Differential case and cover assy Vauxhall Pt No 91039824 fitted to front and rear axle differential assy of Truck Cargo 4 Tonne Bedford MJ (all variants).

REASON FOR MODIFICATION

3 Code 3 - to improve reliability.

PRIORITY

4 Routine on overhaul or repair.

ESTIMATED TIME REQUIRED

5 Embodiment: 2 man-hours.

MODIFICATION IMPLEMENTATION PLAN

6

6.1 This modification is to be implemented by Units authorized to carry out level 4 maintenance.

6.2 Associated modification instructions. Nil.

6.3 Modification plate strike action. NA.

Action required by:

7

7.1 Units authorized to carry out level 4 maintenance.

7.1.1 During overhaul, obtain the items listed in para 8 and carry out this modification.

7.1.2 Complete AF G1084A when reporting completion of the modification to Data Centre using the following FORWARD codes:

EQUIPMENT CODE - See para 2.

MODIFICATION CODE X00747

7.2 All recipients of this instruction. Add particulars to AESP ref 2320-H-100-811 Mod Instr Index.

Stores, tools and equipment

8

8.1 Stores to be demanded.

8.1.1 The following items are to be demanded quoting this instruction as authority for demand.

<u>Item No</u>	<u>COSA Section</u>	<u>NSN/Part No</u>	<u>Designation</u>	<u>Qty per eqpt</u>
1	7/BD	5306-99-785-6847	Bolt, hex hd, "Durlock" 9/16 in UNF (Vauxhall No 91107780)	12

8.2 Stores to be removed and reduced to scrap

2	7/BD	5306-99-788-1612	Bolt (Vauxhall Pt No 91070449)	12
3	7/BD	5310-99-139-5241	washer (Vauxhall Pt No 91008382)	12

8.3 Items/stores to be modified

4			Differential case and cover assy. (Vauxhall Pt No 91039824) front and rear axle.	1
---	--	--	---	---

Sequence of operations

9 Carry out the modification as follows:

Note ...

The item numbers of para 8 are used as references throughout this instruction.

9.1 During repair or overhaul of front and/or rear axle differential assembly remove and discard the existing twelve bolts and washers (item 2 and 3) securing hypoid gear to case and cover assy (item 4).

9.2 Modify cover assembly by increasing spotface diameter of bolt holes from 28.5 mm to 31 mm dia.

9.3 Rebuild differential assembly using replacement bolts (item 1) torqued to 220 lbf ft (300 Nm).

Testing after embodiment

10 Nil.

EFFECT ON WEIGHT

11 Negligible.

PUBLICATION AMENDMENTS

Note ...

Necessary amendment(s) will be issued separately.

12 Nil.

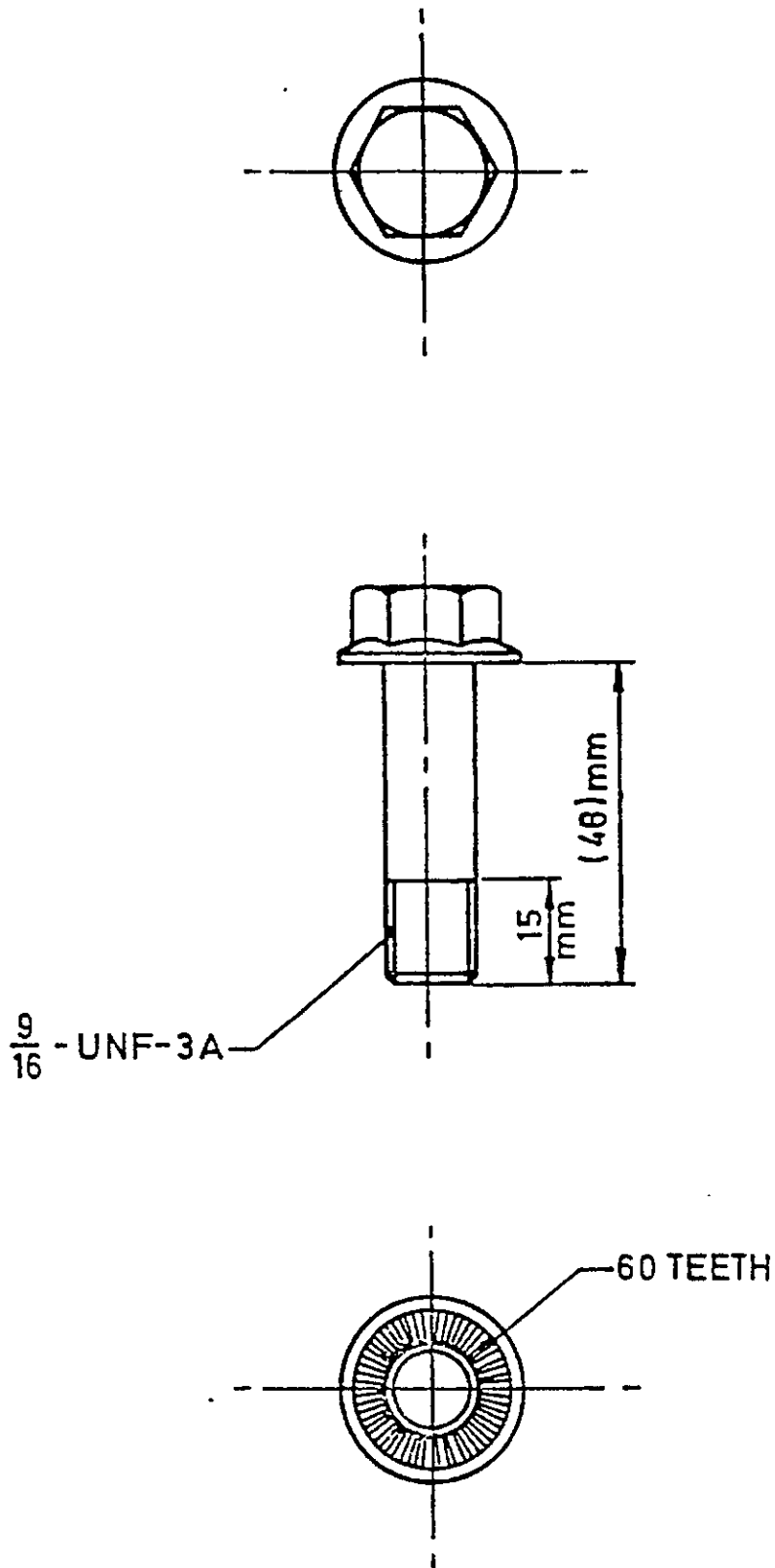


Fig 1 Bolt hex hd - Durlock
(Dimensions in mm)

V6789/1

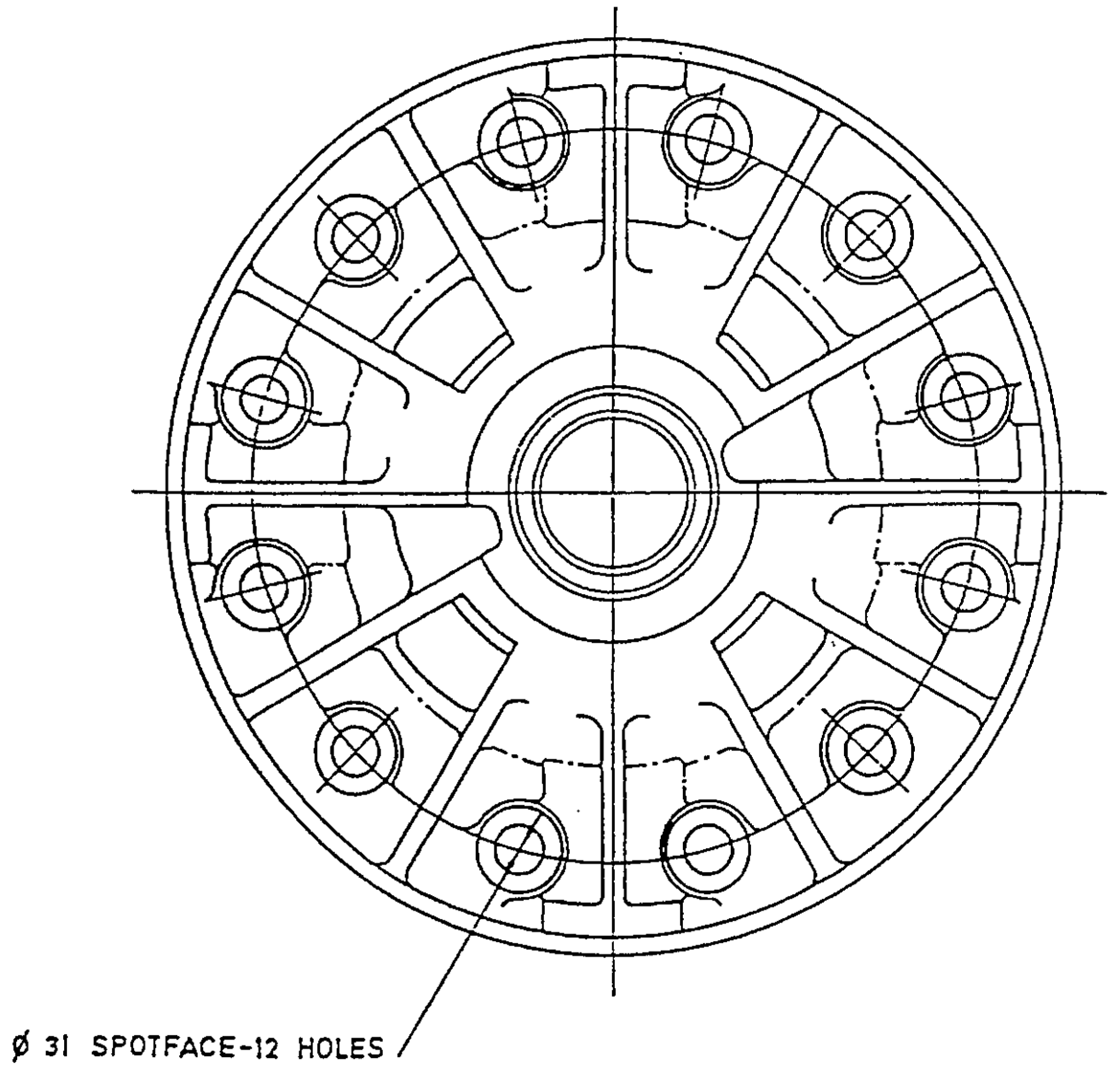


Fig 2 Machining of Diff Cover
(Dimensions in mm)

V6836/1

CONDITIONS OF RELEASE

- 1 This information is released by the UK Government for Defence purposes only.
- 2 This information must be afforded the same degree of protection as that afforded to information of an equivalent security marking originated by the recipient Government or as required by the recipient Government's security regulations.
- 3 This information may be disclosed only within the Defence Department of the recipient Government, except as otherwise authorized by the Ministry of Defence (Army).
- 4 This information may be subject to privately owned rights.

TRUCK, 4 TONNE, 4 X 4, BEDFORD MJ

(ALL VARIANTS)

MODIFICATION INSTRUCTION NO. 4

CANCELLATION

INTRODUCTION

- 1 This Amendment authorises the cancellation of AESP 2320-H-100-811 Modification Instruction No. 4. Instruction cancelled as requirement now fulfilled.

ACTION

- 2 Remove all pages of AESP 2320-H-100-811 Modification Instruction No. 4 and destroy them.
- 3 File this amendment in its place.

Amendment record

- 4 Record the incorporation of this Amendment.

TRUCK, CARGO, 4 TONNE, 4x4, BEDFORD MJ
ALL VARIANTS

MODIFICATION INSTRUCTION No 5
(Completely revised)

Amdt Instrs

Remove Pages 1-6 dated Mar 85.

Insert Pages 1-6 dated May 90.

Sponsor:
DGEME(A)

Publications Authority:
Vehs & Wpns Br REME
Project No: 71511(60)
File ref: 0736/43

AMENDMENT RECORD

Amdt	Incorporated by	Date	Amdt	Incorporated by	Date
1			4		
2			5		
3			6		

SUBJECT: Tachometer Drive
(MAE 12-1958)

INTRODUCTION

1 A new design tachometer drive to prevent oil passing through the drive and filling the tachometer has been introduced from engine number 6544831, the following action to be taken.

1.1 On vehicles fitted with Power Take Off (PTO) at the earliest opportunity the revised drive is to be fitted.

1.2 On vehicles without PTO when failure occurs the tachometer and drive is to be removed and the drive aperture blanked.

this instruction provides all the necessary details.

1.3 Limitations on use of equipment. NIL

APPLICABILITY

2 Truck, Cargo, 4 Tonne, 4x4, Bedford MJ, all variants fitted with a tachometer held by user units.

2.1 Unmodified stock, held in RAOC and technical stores.

REASON FOR MODIFICATION

3 Code 6 - to improve sealing.

PRIORITY

4 ARMY: Routine
RAF: Class 3

ESTIMATED TIME REQUIRED

5 Embodiment: 1 man-hour on vehicles equipped with PTO
Embodiment: 3 man-hours on vehicles without PTO

MODIFICATION IMPLEMENTATION PLAN

6

6.1 This modification is to be implemented by:

ARMY - Units authorised to carry out levels 2, 3 and 4 maintenance.

RAF - Units not later than the next schedule maintenance and Vehicle Depots before issue of vehicle.

6.2 Associated modification instructions: Nil

6.3 Modification plate strike action: NA

Action required by:

7

7.1 Units and establishments holding equipment

7.1.1 Examine vehicle documents to see if modification is applicable.

7.1.2 ARMY - Examine vehicle to if modification is embodied and where necessary units with 1st Line REME Support demand the stores required.

RAF - Examine vehicle to see if modification is embodied and where necessary demand the stores required.

7.1.3 ARMY - On receipt of stores, request REME to modify equipment.

7.1.4 ARMY - Record the modification Subject, AESP number and Army Modification Code in vehicle documents.

RAF - Record modification details on RAF Form 4870 and AF G1084A.

7.2 Army units authorised to carry out levels 2, 3 and 4 maintenance, and RAF units

7.2.1 ARMY - When requested by users or during overhaul of vehicles on charge without REME 1st Line Support, obtain the items listed in Para 8 and carry out this modification.

RAF - On receipt of stores, embody the modification.

7.2.2 Record completion details of modification against appropriate entry in vehicle documents.

7.2.3 Complete AF G1084A when reporting completion of the modification to Data Centre using the following FORWARD codes:

ARMY: EQUIPMENT CODE - See para 2
MODIFICATION CODE - NN 0000

RAF: MODIFICATION CODE AFC 227

7.3 All recipients of this instruction. Add particulars to AESP ref 2320-H-100-811 Mod Instr Index.

Stores, tools and equipment

8

8.1 Stores to be demanded

8.1.1 The following items and modification set are to be demanded quoting this instruction as authority for demand, and

8.1.2 Registration number and EAC of vehicle for equipment held by user units.

8.1.3 Registration number of vehicle and EAC for unmodified stock held in RAOC and technical stores.

<u>Item No</u>	<u>COSA Section</u>	<u>NSN/Part No</u>	<u>Designation</u>	<u>Qty per eqpt</u>
A	7BD	6680-99-839-5157	Mod set: comprising:	1
1	7BD	6680-99-792-3331	Tachometer drive assy	(1)
2	8 RETX	2815-99-835-4188	Clip	(1)
3	G1	5310-99-977-7351	washer spacer	(1)
4	G1	5305-99-941-6685	Bolt assy	(1)
5	G1	5310-99-941-6654	washer lock	(1)
6	7BD	5340-99-819-4751	Cup plug	1

8.2 Stores or suitable equivalent to be obtained locally

7	H1	8030-99-225-2103	sealing compound	As reqd
---	----	------------------	------------------	---------

8.3 Stores to be removed and returned to RAOC/reduced to scrap

8		6347963	Housing, tachometer	1
9		6346245	Shaft assy, housing	1
10		120706	Bolt Hex Hd	1
11		120380	washer lock	1

<u>Item No</u>	<u>COSA Section</u>	<u>NSN/Part No</u>	<u>Designation</u>	<u>Qty per eqpt</u>
12		9902800	Expansion plug assy	1
13		9903333	Sealer assy cable, tacho drive	1
14			Cable, tacho drive	1
15		7979036	Tachometer	1
16		8855475	Bracket, tacho mounting	1
17		7154356	Bulb and holder	1

Sequence of operations

Note ...

The item numbers of Para 8 are used as references throughout this instruction.

9 Carry out the modification as follows:

9.1 Unscrew and disconnect drive cable from tachometer drive housing (item 8).

9.2 Remove and discard existing tachometer drive housing (item 8), shaft assembly, housing tachometer drive (item 9) and associated fasteners (items 10-13).

9.3 On vehicles equipped with PTO. Refer to Fig 1 and fit new tachometer drive assembly (item 1) with associated fasteners (items 2-5).

9.4 Locate and screw on tachometer drive cable to new tachometer drive assembly (item 1).

9.5 On vehicles without PTO apply sealing compound (item 7) to cup plug (item 6) and using a suitable installation tool drive the plug into the tachometer drive aperture until flush with machined surface. Remove surplus sealing compound.

9.6 Remove and discard tachometer drive cable, tachometer, tachometer mounting bracket, bulb and holder (item 14-19) stow remaining cable to bulb holder safely.

Testing after embodiment

10 On vehicles with PTO check operation of tachometer.

EFFECT ON WEIGHT

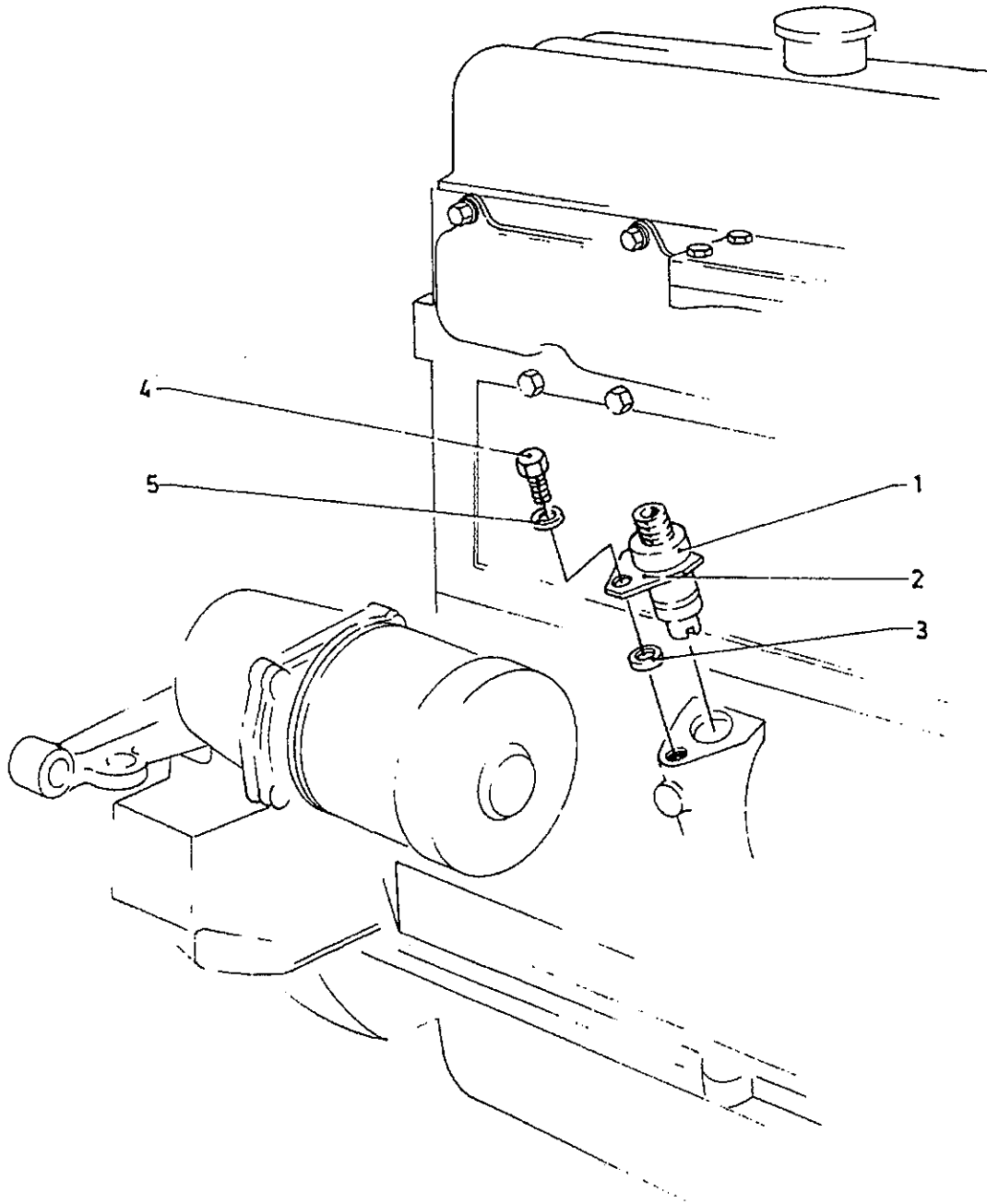
11 Negligible.

PUBLICATION AMENDMENTS

Note ...

Necessary amendment(s) will be issued separately.

12 AESP operator information Cat 201 will be amended.



V7046/1

Fig 1 Tachometer drive

TRUCK CARGO 4 TONNE 4x4 BEDFORD MJ (ALL VARIANTS)

MODIFICATION INSTRUCTION NO 6

Sponsor:
DGEME(A)
File ref: 50736/48

Publications Authority:
Vehs & Wpns Branch REME
Project No: 71012(25)

AMENDMENT RECORD

Amdt	Incorporated by	Date	Amdt	Incorporated by	Date
1			4		
2			5		
3			6		

SUBJECT: Label - crane instruction
(MAE 12-1811)

INTRODUCTION

1 This instruction introduces a new label-crane instruction with revised wording to ensure correct use of stabilizers.

1.1 Limitations on use of equipment: Nil

APPLICABILITY

2 Truck Cargo, w/3 Tonne Crane, 4 Tonne 4x4 Bedford MJ (VAC's 2037-3102, 2037-8100, 2038-3100, 2038-8100, 2039-3100, 2041-3100, 2041-8100, 2042-3100) held by user units.

2.1 Unmodified stock held in RAOC stores.

REASON FOR MODIFICATION

3 Code 2 - to improve operational performance.

PRIORITY

4 ARMY: Routine
RAF: Class 3

ESTIMATED TIME REQUIRED

5 Embodiment: 1 man-hour

MODIFICATION IMPLEMENTATION PLAN

6

6.1 This modification is to be implemented by:

ARMY - Units authorized to carry out levels 2, 3 and 4 maintenance.

RAF - Units not later than the next scheduled servicing and Vehicle Depots before issue of vehicle.

6.2 Associated modification instructions. Nil.

6.3 Modification plate strike action. NA.

Action required by:

7

7.1 Units and establishments holding equipment

7.1.1 Examine vehicle documents to see if modification is applicable.

7.1.2 Examine vehicle to see if modification is embodied and where necessary demand the stores required.

7.1.3 ARMY - On receipt of stores, request REME to modify equipment.

7.1.4 ARMY - Record the modification Subject, AESP number and Army Modification Code in vehicle documents.

RAF - Record modification details on RAF Form 4870 and AF G1084A.

7.2 Army Units authorized to carry out levels 2, 3 and 4 maintenance, and RAF units

7.2.1 ARMY - when requested by users or during overhaul, obtain the items listed in para 8 and carry out this modification.

RAF - On receipt of stores, embody the modification.

7.2.2 Record completion details of modification against appropriate entry in vehicle documents.

7.2.3 Complete AF G1084A when reporting completion of the modification to Data Centre using the following FORWARD codes:

ARMY: EQUIPMENT CODE - See para 2
MODIFICATION CODE NN0000
RAF: MODIFICATION CODE AFC 229

7.3 All recipients of this instruction. Add particulars to AESP 2320-H-100-811 Mod Instr Index.

Stores, tools and equipment

8

8.1 Stores to be demanded

8.1.1 The following item is to be demanded quoting this instruction as authority for demand, and

8.1.2 Registration number of vehicle for equipment held by user units.

8.1.3 Registration number of vehicle for unmodified stock held in RAOC stores.

<u>Item No</u>	<u>COSA Section</u>	<u>NSN/Part No</u>	<u>Designation</u>	<u>Qty per eqpt</u>
1	7BD	7690-99-839-5120	Label - crane stabilizer instruction (Pt No 91116459)	1

8.2 Stores to be removed and reduced to scrap

2	Not known		Label - crane stabilizer instruction	1
---	-----------	--	--------------------------------------	---

Sequence of operations

9 Carry out the modification as follows:

Note ...

The item numbers of para 8 are used as reference through this instruction.

9.1 Remove and discard existing label-crane stabilizer instruction (item 2) located as shown in Fig 1.

9.2 Fit new label-crane stabilizer instruction (item 1) in same location using suitable self-tapping screws.

Testing after embodiment

10 Nil.

EFFECT ON WEIGHT

11 Negligible.

PUBLICATION AMENDMENTS

12 Nil.

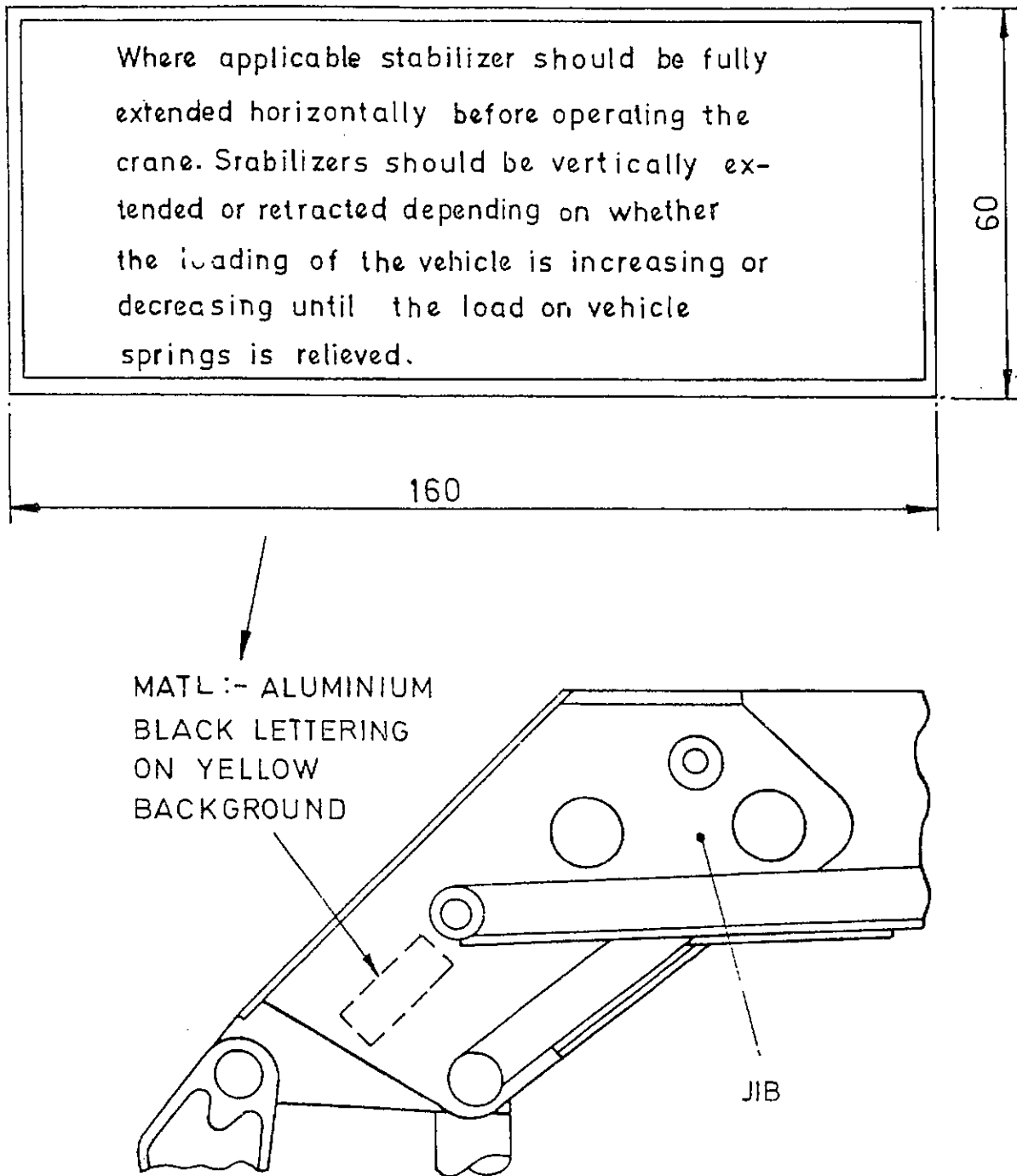


Fig 1 Location of label-crane stabilizer instruction

v 7114/1

CONDITIONS OF RELEASE

- 1 This information is released by the UK Government for Defence purposes only.
- 2 This information must be afforded the same degree of protection as that afforded to information of an equivalent security marking originated by the recipient Government or as required by the recipient Government's security regulations.
- 3 This information may be disclosed only within the Defence Department of the recipient Government, except as otherwise authorized by the Ministry of Defence (Army).
- 4 This information may be subject to privately owned rights.

TRUCK, 4 TONNE, 4 X 4, BEDFORD MJ

(ALL VARIANTS)

MODIFICATION INSTRUCTION NO. 7

CANCELLATION

INTRODUCTION

- 1 This Amendment authorises the cancellation of AESP 2320-H-100-811 Modification Instruction No. 7. Instruction cancelled as requirement now fulfilled.

ACTION

- 2 Remove all pages of AESP 2320-H-100-811 Modification Instruction No. 7 and destroy them.
- 3 File this amendment in its place.

Amendment record

- 4 Record the incorporation of this Amendment.

CONDITIONS OF RELEASE

- 1 This information is released by the UK Government for Defence purposes only.
- 2 This information must be afforded the same degree of protection as that afforded to information of an equivalent security marking originated by the recipient Government or as required by the recipient Government's security regulations.
- 3 This information may be disclosed only within the Defence Department of the recipient Government, except as otherwise authorized by the Ministry of Defence (Army).
- 4 This information may be subject to privately owned rights.

TRUCK, 4 TONNE, 4 X 4, BEDFORD MJ

(ALL VARIANTS)

MODIFICATION INSTRUCTION NO. 8

CANCELLATION

INTRODUCTION

- 1 This Amendment authorises the cancellation of AESP 2320-H-100-811 Modification Instruction No. 8. Instruction cancelled as requirement now fulfilled.

ACTION

- 2 Remove all pages of AESP 2320-H-100-811 Modification Instruction No. 8 and destroy them.
- 3 File this amendment in its place.

Amendment record

- 4 Record the incorporation of this Amendment.

TRUCK 4 TONNE 4x4 BEDFORD MJ (ALL VARIANTS)
MODIFICATION INSTRUCTION NO 9

Sponsor:
DGEME(A)
File ref: 50736/44

Publications Authority
Vehs & Wpns Br REME
Project No: 71012(161)

AMENDMENT RECORD

Amdt	Incorporated by	Date	Amdt	Incorporated by	Date
1			4		
2			5		
3			6		

SUBJECT: Compressor oil inlet pipe
(12-1956)

INTRODUCTION

1 On production to obviate oil leaks between the compressor and oil inlet pipe the existing threaded sleeve has been replaced with an adaptor with olive and nut. when an oil leak is found between the compressor and oil inlet pipe this instruction is to be carried out.

1.1 Limitations on use of equipment. NIL

APPLICABILITY

2 Truck cargo 4 tonne 4x4 Bedford MJ (all variants) held by user units.

REASON FOR MODIFICATION

3 Code 6 - to obviate oil leaks

PRIORITY

4 ARMY: Routine
RAF: Class 3

ESTIMATED TIME REQUIRED

5 Embodiment: 1 man-hour

MODIFICATION IMPLEMENTATION PLAN

6

- 6.1 This modification is to be implemented by:
ARMY - Units authorized to carry out levels 2, 3 and 4 maintenance.
RAF - Units when necessary.
- 6.2 Associated modification instructions. Nil
- 6.3 Modification plate strike action: NA

Action required by:

7

7.1 Units and establishments holding equipment

- 7.1.1 Examine vehicle documents to see if modification is applicable.
- 7.1.2 Examine vehicle to see if modification is embodied and where necessary demand the stores required.
- 7.1.3 ARMY - On receipt of stores, request REME to modify equipment.
- 7.1.4 ARMY - Record the modification Subject, AESP number and Army Modification Code in vehicle documents.
RAF - Record modification details on RAF Form 4870 and AF G1084A

7.2 Army units authorized to carry out levels 2, 3 and 4 maintenance, and RAF units

- 7.2.1 ARMY - When requested by users or during overhaul, obtain the items listed in para 8 and carry out this modification.
RAF - On receipt of stores, embody the modification.
- 7.2.2 Record completion details of modification against appropriate entry in vehicle documents.
- 7.2.3 Complete AF G1084A when reporting completion of the modification to Data Centre using the following FORWARD codes:
ARMY: EQUIPMENT CODE - See para 2
MODIFICATION CODE NN0000
RAF: MODIFICATION CODE AFC 236

7.3 All recipients of this instruction. Add particulars to AESP 2320-H-100-811 Mod Instr Index.

Stores, tools and equipment

8

8.1 Stores to be demanded

8.1.1 The following items are to be demanded quoting this instruction as authority for demand, and

8.1.2 Registration number of vehicle for equipment held by user units.

<u>Item No</u>	<u>COSA Section</u>	<u>NSN/Part No</u>	<u>Designation</u>	<u>Qty per veh</u>
1	7BD	4730-99-788-7090	Adaptor assy (Pt No 91113959)	1
2	7BD	4730-99-833-2453	Sleeve ball assy (Pt No 114628)	1
3	7BD	4730-99-811-6671	Nut ball sleeve tube (Pt No 190863)	1
4	7BD	4730-99-874-0706	Sleeve threaded assy (Pt No 442140)	1

8.2 Stores or suitable equivalent to be obtained locally

5	H1	8030-99-225-0249	Sealant, Loctite 572	As reqd
---	----	------------------	----------------------	---------

8.3 Stores to be removed and reduced to scrap

6	7BD	4730-99-874-0706	Sleeve, threaded assy (Pt No 442140)	2
---	-----	------------------	---	---

Sequence of operations

9 Carry out the modification as follows:

Notes ...

(1) The item numbers of para 8 are used as references throughout this instruction.

(2) Refer to Fig 1 throughout this instruction.

9.1 Remove compressor oil inlet pipe.

9.2 Remove and discard threaded sleeves (item 6) from ends of compressor oil inlet pipe.

9.3 Fit adaptor assembly (item 1) to compressor using sealant (item 5) on threads between adaptor assembly (item 1) and compressor.

9.4 Fit sleeve ball assembly and nut ball sleeve tube (items 2 and 3) onto compressor end of oil inlet pipe and threaded sleeve assembly (item 4) to the other end of oil inlet pipe.

9.5 Refit compressor oil inlet pipe securing with fittings (items 2, 3 and 4).

9.6 Run engine and check for leaks.

Testing after embodiment

10 Nil.

EFFECT ON WEIGHT

11 Negligible.

PUBLICATION AMENDMENTS

12 Nil.

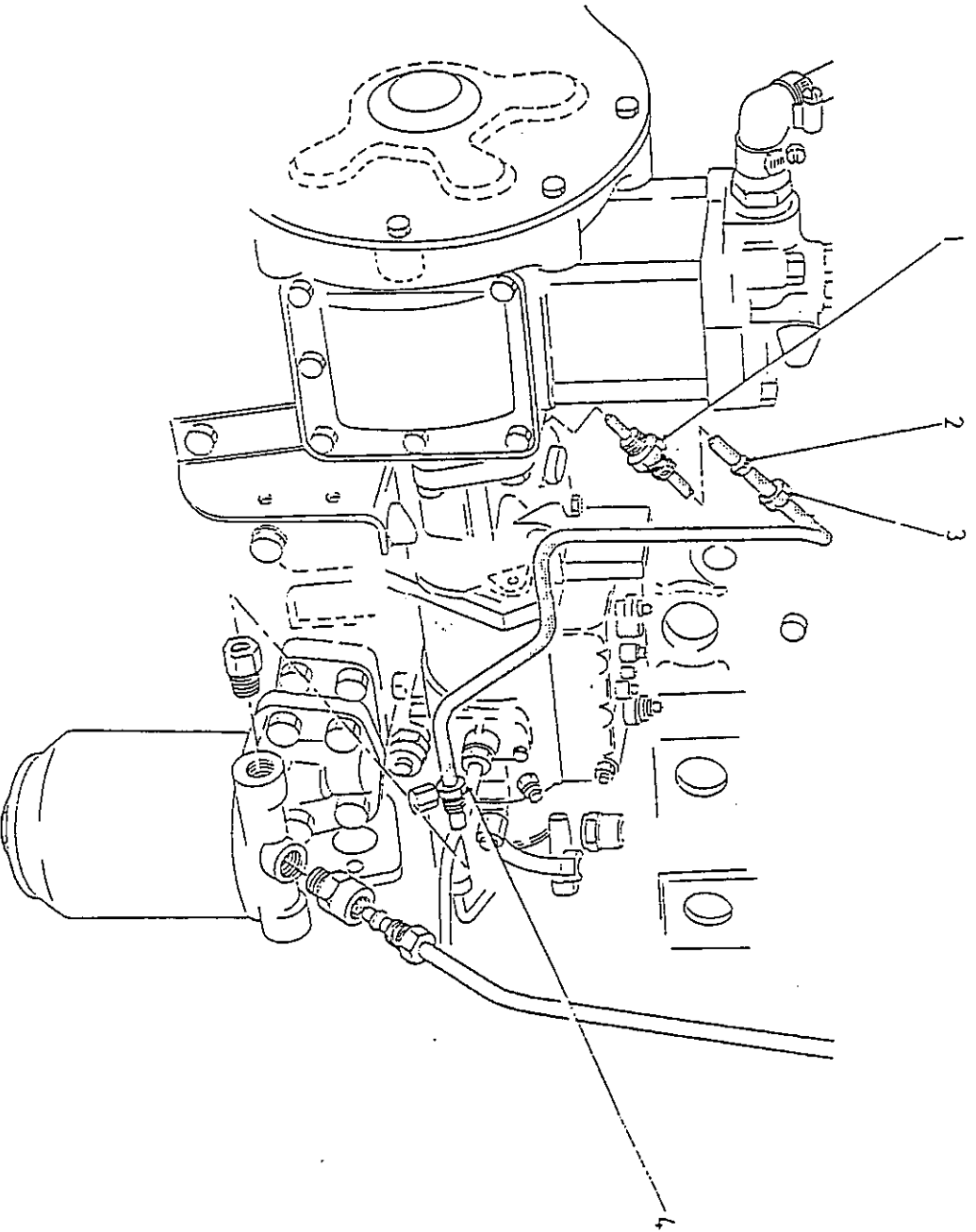


Fig 1

Compressor oil inlet pipe

CONDITIONS OF RELEASE

- 1 This information is released by the UK Government for Defence purposes only.
- 2 This information must be afforded the same degree of protection as that afforded to information of an equivalent security marking originated by the recipient Government or as required by the recipient Government's security regulations.
- 3 This information may be disclosed only within the Defence Department of the recipient Government, except as otherwise authorized by the Ministry of Defence (Army).
- 4 This information may be subject to privately owned rights.

TRUCK, 4 TONNE, 4 X 4, BEDFORD MJ

(ALL VARIANTS)

MODIFICATION INSTRUCTION NO. 10

CANCELLATION

INTRODUCTION

- 1 This Amendment authorises the cancellation of AESP 2320-H-100-811 Modification Instruction No. 10. Instruction cancelled as requirement now fulfilled.

ACTION

- 2 Remove all pages of AESP 2320-H-100-811 Modification Instruction No. 10 and destroy them.
- 3 File this amendment in its place.

Amendment record

- 4 Record the incorporation of this Amendment.

TRUCK 4 TONNE 4x4 BEDFORD MJ

(ALL VARIANTS)

MODIFICATION INSTRUCTION No 11

Sponsor:
DGEME(A)

Publications Authority
Vehs & Wpns Br REME
Project No: 71511(174)
File ref: 50736/55

AMENDMENT RECORD

Amdt	Incorporated by	Date	Amdt	Incorporated by	Date
1	Incorporated	Feb 89	4		
2	B. BECKINGHAM	18/8/92	5		
3			6		

SUBJECT: Hitch towing multi height
(50736/55/JT)

INTRODUCTION

1 This instruction provides the details of a multi height towing hitch which is to be manufactured and fitted to vehicles required for the towing of recruiting caravans and/or trailers up to 5 1/4 tons G.V.W. Users should note that ground clearance is reduced when the new hitch is fitted.

1.1 Limitations on use of equipment. Nil

APPLICABILITY

2

2.1 Truck cargo 4 tonne 4x4 Bedford MJ when required to tow vehicles as listed in Para 1 above.

2.2 Truck Fuel Servicing Aircraft, 4 tonne, 4x4, 1000 gallon, D/P, Tactical Airtransportable Mk 5A (all variants) when required to tow the Tactical, Aircraft, Refuelling, Trailer held by user units.

REASON FOR MODIFICATION

3 Code 2 - to improve operational performance.

PRIORITY

4 ARMY: Routine.
RAF: Class 3.

ESTIMATED TIME REQUIRED

5 Embodiment: 2 man-hours
Manufacturing: 4 man-hours

MODIFICATION IMPLEMENTATION PLAN

6

- 6.1 This modification is to be implemented by:
ARMY - Units authorized to carry out levels 2, 3 and 4 maintenance.
RAF - Units when necessary.
- 6.2 Associated modification instructions. Nil.
- 6.3 Modification plate strike action: NA.

Action required by:

7

7.1 Units and establishments holding equipment

- 7.1.1 Examine vehicle documents to see if modification is applicable.
- 7.1.2 Examine vehicle to see if modification is embodied and where necessary demand the stores required.
- 7.1.3 ARMY - when necessary request REME to modify equipment.
- 7.1.4 ARMY - Record the modification Subject, AESP number and Army Modification Code in vehicle documents.
- RAF - Record modification details on RAF Form 4870 and AF G1084A.

7.2 Army units authorized to carry out levels 2, 3 and 4 maintenance, and RAF units

- 7.2.1 ARMY - when requested by users or during overhaul, obtain the items listed in Para 8 and carry out this modification.
- RAF - When necessary, embody the modification.
- 7.2.2 Record completion details of modification against appropriate entry in vehicle documents.
- 7.2.3 Complete AF G184A when reporting completion of the modification to Data Centre using the following FORWARD codes:
- ARMY: EQUIPMENT CODE - See para 2
MODIFICATION CODE - NN0000
- RAF: MODIFICATION CODE - AFC 243

- 7.3 All recipients of this instruction. Add particulars to AESP 2320-H-100-811 Mod Instr Index.

Stores, tools and equipment

8

8.1 Stores to be manufactured locally

Note ..

Instead of manufacturing the following items, units may remove them from existing Bedford Mk fitted with the same design multi height towing hitch and carry out the relevant parts of para 9.

<u>Item No</u>	<u>COSA Section</u>	<u>NSN/Part No</u>	<u>Designation</u>	<u>Qty per eqpt</u>
A			Multi height tow hitch v6597/1 comprising:	1
1			Plate brace v6597/4	(2)
2			Side stay (lh) v6597/5	(1)
3			Side stay (rh)	(1)
4			Crossbrace v6597/1	(1)
5			Plate anchor v6597/7	(1)

8.2 Stores or suitable equivalent to be obtained locally

6	G1	5306-99-122-8187	Bolt hex hd M16 x 55	2
7	G1	5306-99-122-8172	Bolt hex hd M12 x 40	6
8	G1	5310-99-135-0790	Nut hex hd M12	6
9	G1	5310-99-138-9229	washer lock M12	6
10	G2	9510-99-964-7029	Steel bar flat 150 x 25mm	14 kg
11	G2	9520-99-964-5971	Steel angle 50 x 50 x 6mm	10 kg
12	G2	9510-99-964-6997	Steel bar flat 80 x 6mm	4 kg
13	G2	9510-99-964-7013	Steel bar flat 100 x 12mm	15 kg
14	G1	5306-99-122-8188	Bolt hex hd M16 x 60	2
15	G1	5310-99-135-0791	Nut hex hd M16	8
16	G1	5310-99-138-9230	Washer lock M16	8
17	G1	5306-99-122-8193	Bolt hex hd M16 x 90	4
18	G1	5306-99-122-8194	Bolt hex hd M16 x 100	2
19	G1	5306-99-122-8195	Bolt hex hd M16 x 110	2

Sequence of operations

9 Carry out modification as follows:

Notes ...

- (1) When this modification is required to be fitted to the Truck Fuel Servicing Aircraft Tactical Mk 5A to enable the vehicle to tow the Tactical Aircraft Refuelling Trailer, the spare wheel and carrier will require removal. The spare wheel and carrier will have to be retained at units to allow for future role changes to meet deployment commitments.
- (2) The item numbers of para 8 are used as references throughout this instruction.

9.1 Manufacture anchor plate (item 5) from steel bar (item 10) as detailed in fig 1.

- 9.2 Manufacture side stays lh and rh (items 2 and 3) from steel angle (item 11) as detailed in fig 2.
- 9.3 Manufacture two brace plates (item 1) from steel bar (item 13) as detailed in fig 3.
- 9.4 Weld brace plates (item 1) to anchor plate (item 5) as detailed in fig 4.
- 9.5 Remove and retain towing pintle assembly from chassis rear cross member. Discard fixings.
- 9.6 Fit anchor plate assembly, (items 1 and 5) to position vacated by towing pintle assembly, securing with bolts, nuts and washers (items 6, 14, 15 and 16) ensuring that the longer bolts (item 14) are fitted to the bottom position and the head of the bolts are to the rear of the vehicle.
- 9.7 Position side stays lh and rh (items 2 and 3) on brace plates (item 1) as detailed in fig 5. Mark off and drill a 12mm clearance hole in each brace plate (item 1) and secure loosely with bolts, nuts and washers (items 7, 8 and 9).
- 9.8 Swing side stays (items 2 and 3) upwards until they contact the underside of chassis lh and rh side members. Mark off and drill two 12mm clearance holes in each chassis side member. Secure side stays to chassis side members with bolts, nuts and washers (items 7, 8 and 9). Tighten side stays to brace plates and finally weld side stays to brace plates.
- 9.9 Cut a suitable length of steel bar (item 12) to form a cross brace (item 4) between side stays (items 2 and 3). Position and weld cross brace (item 4) to top flange of stays at a point midway between anchor plate (item 1) and chassis side members as detailed in fig 5.
- 9.10 Fit rear towing pintle to anchor plate at position C, D or E using bolts, nuts and washers (items 17, 15 and 16).
- 9.11 When position A is selected for towing pintle use bolts, nuts and washers (items 18, 19, 15 and 16).
- 9.12 When position B is selected for towing pintle use bolts, nuts and washers (items 19, 17, 15 and 16).

Testing and embodiment

10 Nil

EFFECT ON WEIGHT

11 Negligible

PUBLICATION AMENDMENTS

12 Nil

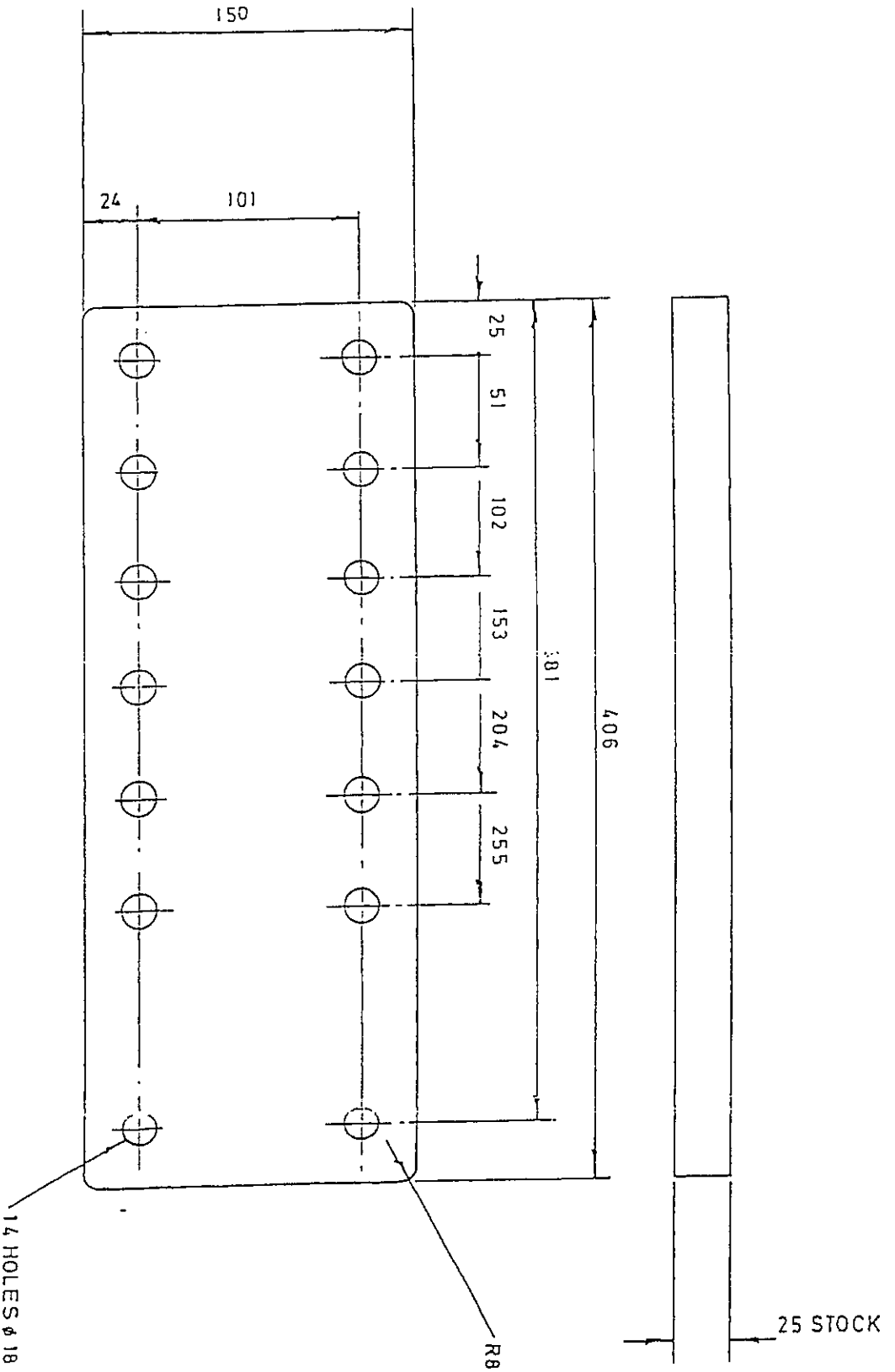
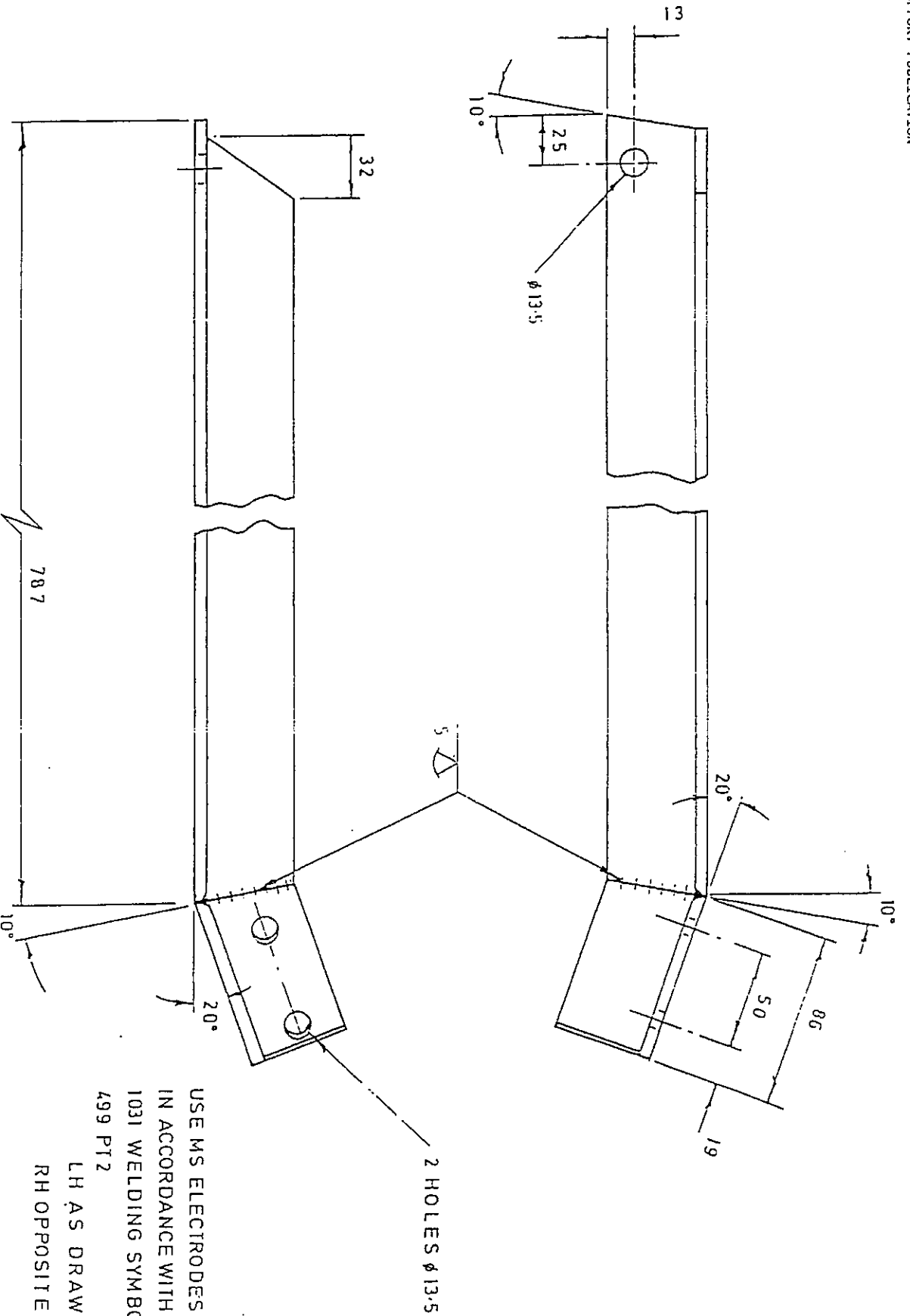


Fig 1

Anchor plate
(Dimensions in mm)

REMOVE ALL BURRS AND SHARP EDGES

V 6597/7
Fig 1



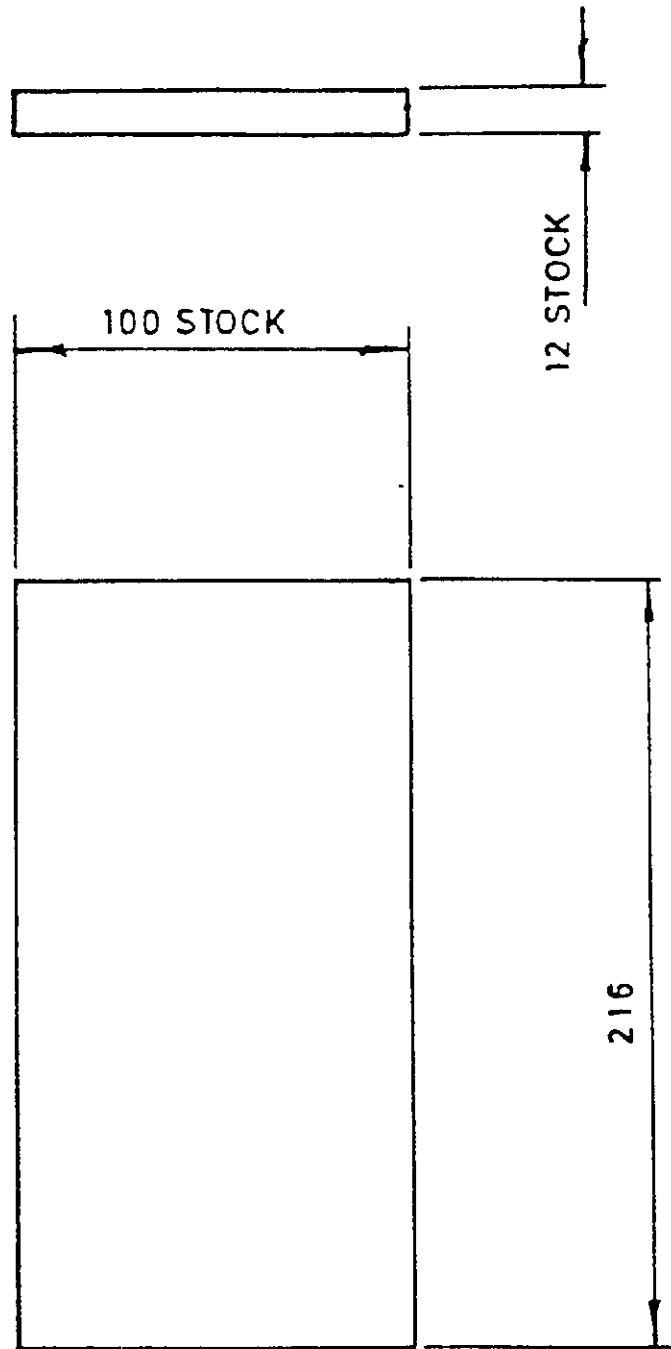
REMOVE ALL BURRS AND SHARP EDGES

USE MS ELECTRODES AND WELD
IN ACCORDANCE WITH MVEE SPEC
1031 WELDING SYMBOLS TO BS
499 PT 2
LH AS DRAWN
RH OPPOSITE HAND

2 HOLES Ø13.5

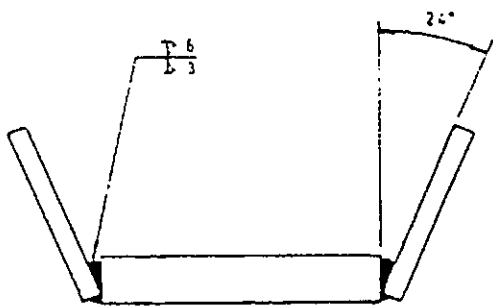
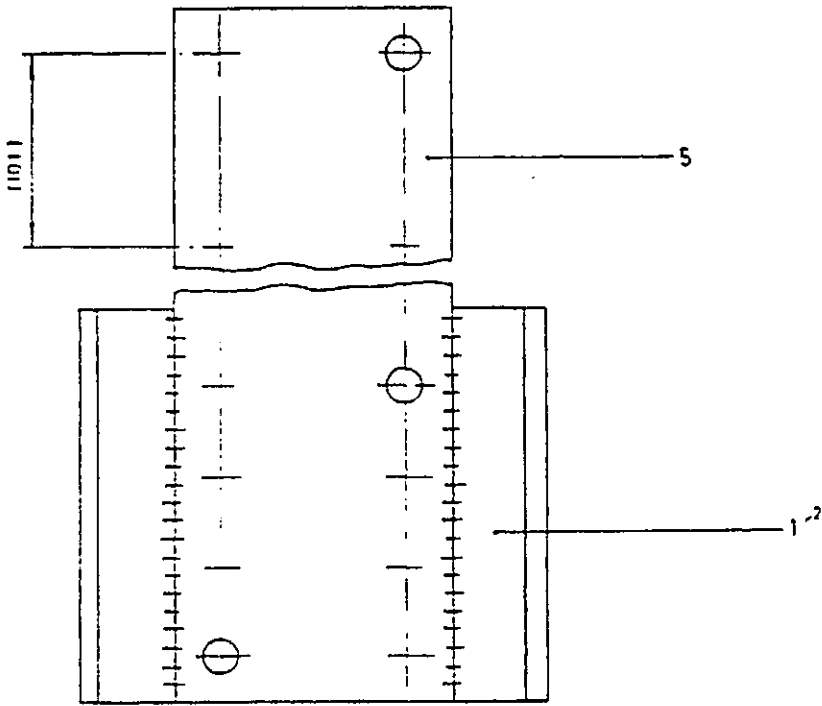
Side stays lh and rh
(Dimensions in mm)

Fig 2
D153-04-2701.6/7
Feb 86



v 6597/4

Fig 3 Brace plate
(Dimensions in mm)



USE MS ELECTRODES AND WELD
IN ACCORDANCE WITH MVEE SPEC 1031
WELDING SYMBOLS TO BS 499 Pt 2

V 6597/6

Fig 4 Anchor plate assembly
(Dimensions in mm)

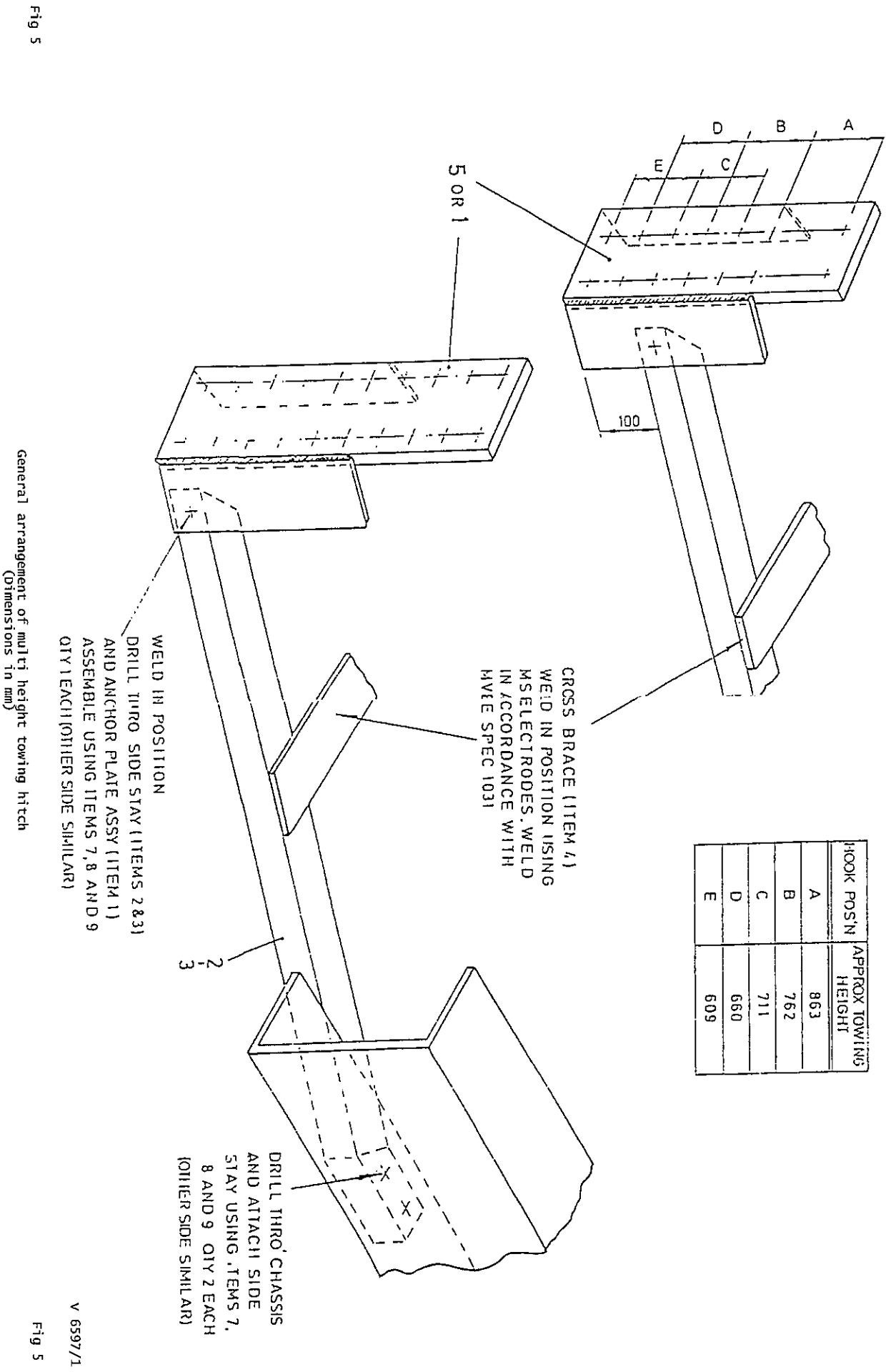


Fig 5

Fig 5

V 6597/1

CONDITIONS OF RELEASE

- 1 This information is released by the UK Government for Defence purposes only.
- 2 This information must be afforded the same degree of protection as that afforded to information of an equivalent security marking originated by the recipient Government or as required by the recipient Government's security regulations.
- 3 This information may be disclosed only within the Defence Department of the recipient Government, except as otherwise authorized by the Ministry of Defence (Army).
- 4 This information may be subject to privately owned rights.

TRUCK, 4 TONNE, 4 X 4, BEDFORD MJ

(ALL VARIANTS)

MODIFICATION INSTRUCTION NO. 12

CANCELLATION

INTRODUCTION

- 1 This Amendment authorises the cancellation of AESP 2320-H-100-811 Modification Instruction No. 12. Instruction cancelled as requirement now fulfilled.

ACTION

- 2 Remove all pages of AESP 2320-H-100-811 Modification Instruction No. 12 and destroy them.
- 3 File this amendment in its place.

Amendment record

- 4 Record the incorporation of this Amendment.



TRUCK CARGO 4 TONNE 4x4 BEDFORD MJ (ALL VARIANTS)

MODIFICATION INSTRUCTION NO 13

Sponsor:
DGEME(A)

Publications Authority
Vehs & Wpns Br REME
Project No: 71212(181)
File ref: 0736/56

AMENDMENT RECORD

Amdt	Incorporated by	Date	Amdt	Incorporated by	Date
1			4		
2			5		
3			6		

SUBJECT: Brake pressure warning switch
(MAE 12-2006/1)

INTRODUCTION

1 On production the brake low air pressure warning switch has been replaced with one that accepts a different cover to improve the sealing of the switch against water entry. The chassis wiring harness has been revised to accept this change because the old cover was part of the harness. The new switch and cover can be fitted using the old harness if the old cover is out off, but when a new harness is fitted a new switch and cover will be required. When a new harness is received this instruction is to be carried out.

1.1 Limitations on use of equipment. NIL

APPLICABILITY

2 Truck cargo 4 tonne 4x4 Bedford MJ (all variants) held by user units.

REASON FOR MODIFICATION

3 Code 3 - to improve reliability.

PRIORITY

4 ARMY: Routine.
RAF: Class 3.

ESTIMATED TIME REQUIRED

5 Embodiment: 2 man-hours

MODIFICATION IMPLEMENTATION PLAN

6

6.1 This modification is to be implemented by:

ARMY - Units authorised to carry out levels 2, 3 and 4 maintenance, as and when required.

RAF - Units as and when required.

6.2 Associated modification instructions. Nil

6.3 Modification plate strike action: NA

Action required by:

7

7.1 Units and establishments holding equipment

7.1.1 Examine vehicle documents to see if modification is applicable.

7.1.2 ARMY - Examine vehicle to see if modification is embodied and where necessary Units with 1st Line REME Support demand the stores required.

RAF - Examine vehicle to see if modification is embodied and where necessary demand the stores required.

7.1.3 ARMY - On receipt of stores, request REME to modify equipment.

7.1.4 ARMY - Record the modification Subject, AESP number and Army Modification Code in vehicle documents.

RAF - Record modification details on RAF Form 4870 and AF G1084A.

7.2 Army units authorised to carry out levels 2, 3 and 4 maintenance, and RAF units.

7.2.1 ARMY - When requested by users or during overhaul of vehicles on charge without REME 1st Line Support obtain the items listed in para 8 and carry out this modification.

RAF - On receipt of stores, embody the modification.

7.2.2 Record completion details of modification against appropriate entry in vehicle documents.

7.2.3 Complete AF G1084A when reporting completion of the modification to Data Centre using the following FORWARD codes:

ARMY: EQUIPMENT CODE - See para 2
MODIFICATION CODE NN0000
RAF: MODIFICATION CODE AFC 252

7.3 All recipients of this instruction. Add particulars to AESP 2320-H-100-811 Mod Instr Index.

Stores, tools and equipment

8

8.1 Stores to be demanded

8.1.1 On receipt of the revised harness assembly (NSN 7BD/2590-99-750-5047) the following items are to be demanded quoting this instruction as authority for demand, and

8.1.2 Registration number of vehicle for equipment held by user units.

<u>Item No</u>	<u>COSA Section</u>	<u>NSN/Part No</u>	<u>Designation</u>	<u>Qty per eqpt</u>
1	7BD	5930-99-750-7045	Switch assy - low air pressure (Pt No 91092874)	1
2	7BD	5930-99-750-7046	Cover - low air pressure switch (Pt No 91098386)	1

8.2 Stores to be removed and reduced to scrap

3		91063198	Switch assy - low air pressure	1
---	--	----------	--------------------------------	---

Sequence of operations

9 Carry out the modification as follows:

Note ...

The item numbers of para 8 are used as references throughout this instruction.

9.1 Remove and discard old chassis wiring harness.

9.2 Remove and discard low air pressure switch (item 3).

9.3 Fit new low air pressure switch (item 1).

9.4 Fit revised wiring harness along with the new low air pressure switch cover (item 2).

Testing after embodiment

10 Nil.

EFFECT ON WEIGHT

11 Negligible.

PUBLICATION AMENDMENTS

12 Nil.

TRUCK CARGO 4 TONNE 4 X 4 BEDFORD MJ

(ALL VARIANTS)

MODIFICATION INSTRUCTION NO 14

Sponsor:
DGEME(A)

Publications Authority:
Vehicles and Weapons Branch REME
Project No: 71312(255)
File ref: VB 50736/53

AMENDMENT RECORD

Amdt	Incorporated by	Date	Amdt	Incorporated by	Date
1	M. J. Carter	14/7/92	4		
2			5		
3			6		

SUBJECT: Engine ventilation system
(Task 639/1)

INTRODUCTION

1 The present engine ventilation system can cause excessive oil pull over from the side cover resulting in oil being deposited on the road surface. This instruction details the modifications to prevent this occurring.

1.1 Limitations on use of equipment. NIL

APPLICABILITY

2 Truck Cargo 4 Tonne 4 x 4 Bedford MJ (all variants) held by user units.

REASON FOR MODIFICATION

3 Code 4 - to improve maintainability

PRIORITY

4 ARMY: Routine
RAF: Class 3

ESTIMATED TIME REQUIRED

5 Dismantling: 1 man-hour
Manufacturing: 2 man-hours
Assembling: 1 man-hour

MODIFICATION IMPLEMENTATION PLAN

6

6.1 This modification is to be implemented by:

ARMY - Units authorised to carry out levels 2, 3 and 4 maintenance.

RAF - Units not later than the next scheduled maintenance.

6.2 Associated modification instructions. Nil

6.3 Modification plate strike action: NA

Action required by:

7

7.1 Units and establishments holding equipment

7.1.1 Examine vehicle documents to see if modification is applicable.

7.1.2 ARMY - examine vehicle to see if modification is embodied and where necessary units with 1st Line REME Support demand the stores required.

RAF - examine vehicle to see if modification is embodied and where necessary demand the stores required.

7.1.3 ARMY - On receipt of stores, request REME to modify equipment.

7.1.4 ARMY - Record the modification Subject, AESP number and Army Modification Code in vehicle documents.

RAF - Record modification details on RAF Form 4870 and AF G1084A.

7.2 Army units authorised to carry out levels 2, 3 and 4 maintenance, and RAF units

7.2.1 ARMY - When requested by users or during overhaul of vehicles on charge without REME 1st Line Support, obtain the items listed in para 8 and carry out this modification.

RAF - On receipt of stores, embody the modification.

7.2.2 Record completion details of modification against appropriate entry in equipment documents.

7.2.3 Complete AF G1084A when reporting completion of the modification to Data Centre using the following FORWARD codes:

ARMY:	EQUIPMENT CODE:	See para 2
	MODIFICATION CODE:	NN0000
RAF:	MODIFICATION CODE:	AFC 246

7.3 All recipients of this instruction. Add particulars to AESP ref 2320-H-100-811 Mod Instr Index.

Stores, tools and equipment

8

8.1 Stores to be demanded

8.1.1 The following items are to be demanded quoting this instruction as authority for demand, and

8.1.2 Registration number of vehicle for equipment held by user units.

<u>Item No</u>	<u>COSA Section</u>	<u>NSN/Part No</u>	<u>Designation</u>	<u>Qty per eqpt</u>
1	6MT1	4730-99-533-2962	Clip, rocker cover	1
2	7BD	2990-99-801-3018	Pipe, engine vent	1
3	7BD	5340-99-838-4821	Clip, alternator bkt	1

8.2 Stores or suitable equivalent to be obtained locally

4	G2	4710-99-965-0500	Steel tube, 25 mm x 16 mm wall	A/R
---	----	------------------	--------------------------------	-----

8.3 Stores to be removed and reduced to scrap

5		910 33460	Pipe assy vent	1
6		910 33445	Tee piece	1
7		910 36940	Pipe assy	1
8		910 34151	Elbow	2
9		910 33458	Pipe assy	1

Sequence of operations

9 Carry out the modification as follows:

Note ...

The item numbers of Para 8 are used as references throughout this instruction.

9.1 Units are to modify the existing rocker cover using a suitable length of pipe (item 4) as shown in Fig 1 and blank off the existing pipe.

9.2 Units are to remove item 5 to 10 (Fig 2).

9.3 Units are to fit items 1 to 3 (Fig 1) as shown and blank off the existing side cover breather.

Testing after embodiment

10 Nil

EFFECT ON WEIGHT

11 Negligible

PUBLICATION AMENDMENTS

12 Nil

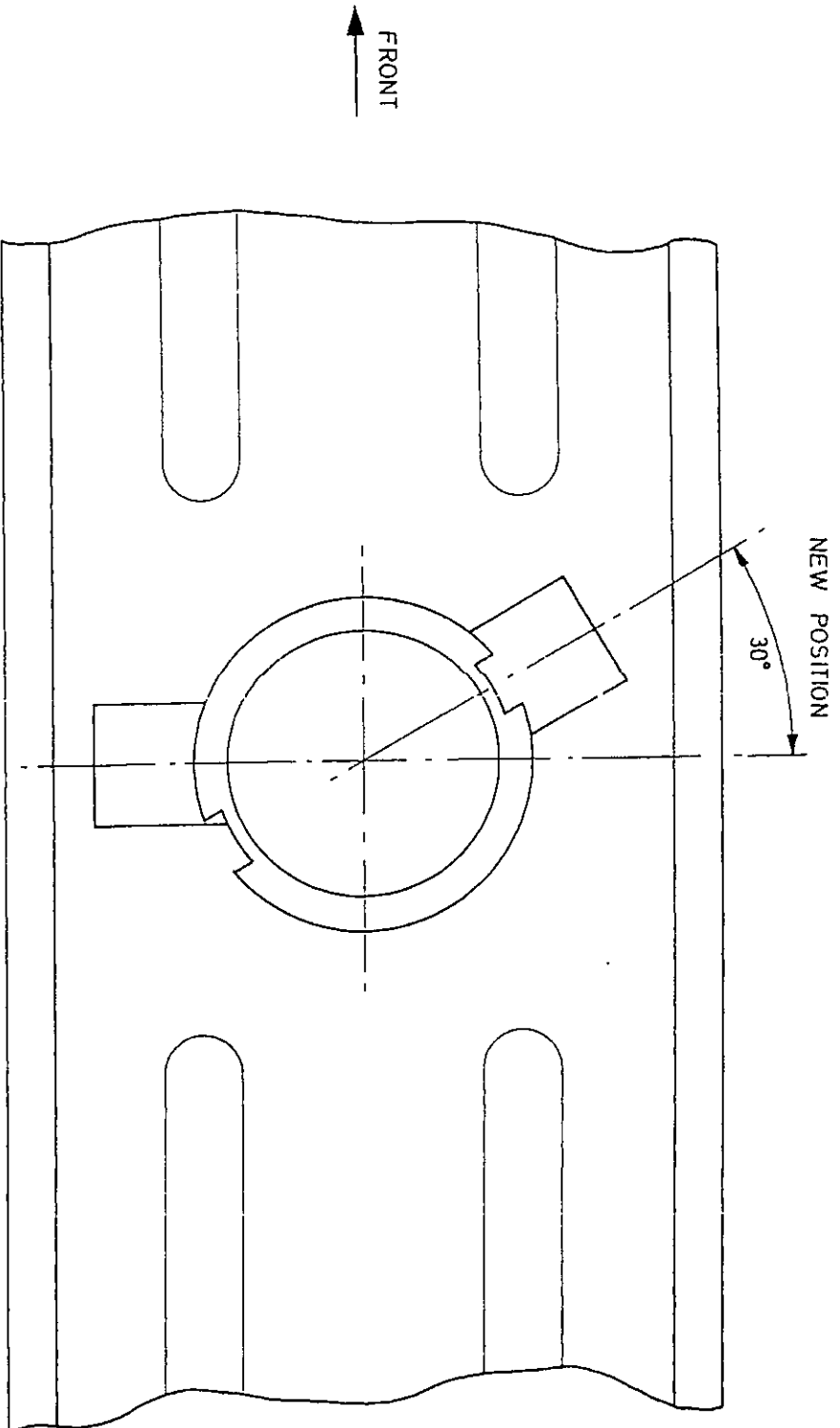


Fig 1

Rocker cover modification

YA39-022109.5/6
OCT 88

V8361/1

Fig 1

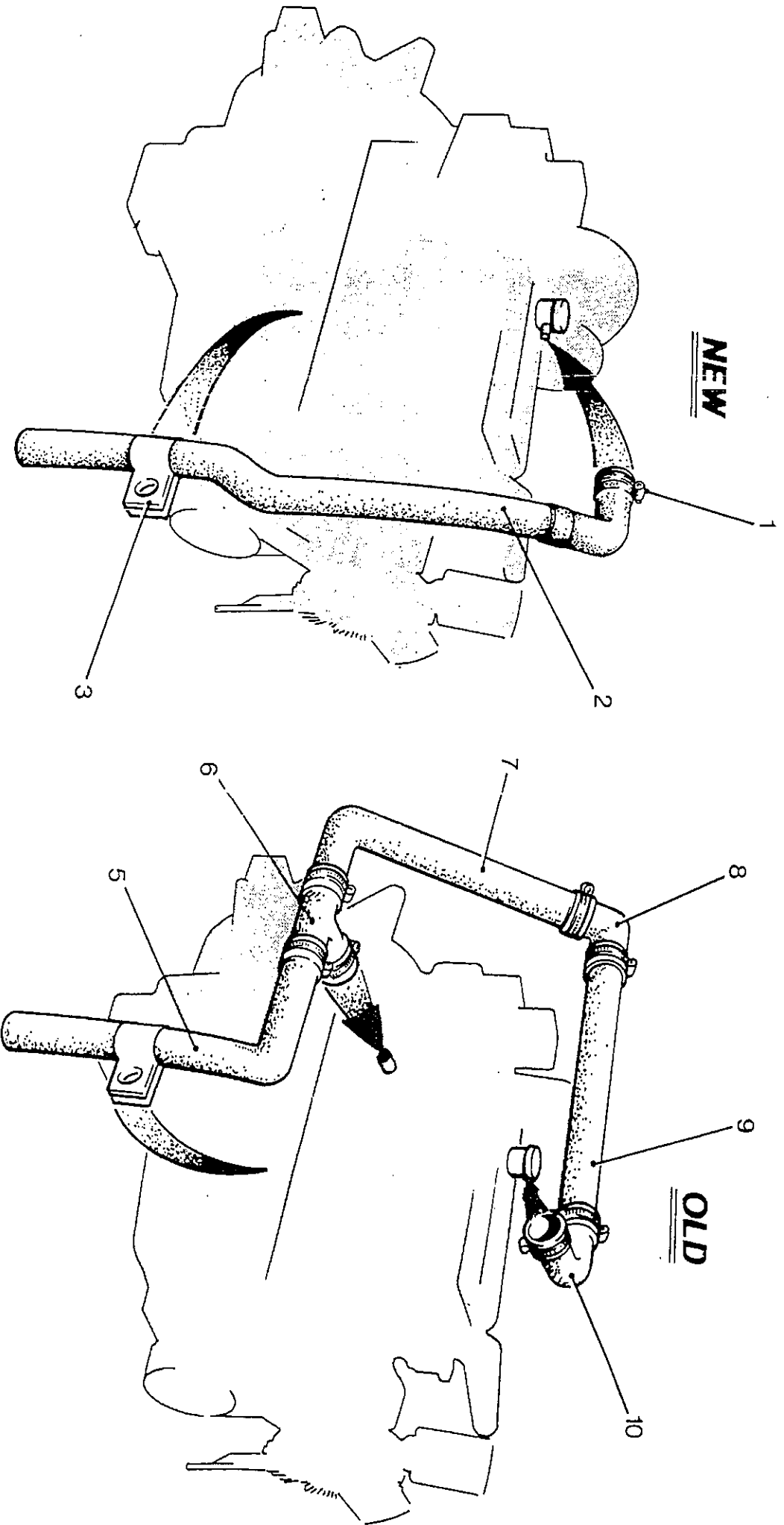


Fig 2

Engine ventilation system

YA39-022109.7/8
Oct 88

V7498/1

Fig 2

Mod Instr No 14
Page 6

TRUCK CARGO 4 TONNE 4 X 4 BEDFORD MJ (ALL VARIANTS)

MODIFICATION INSTRUCTION NO 15

Sponsor:
DGEME(A)

Publications Authority:
Vehicles and Weapons Branch REME
Project No: 71312(70)
File ref: 0736/66

AMENDMENT RECORD

Amdt	Incorporated by	Date	Amdt	Incorporated by	Date
1			4		
2			5		
3			6		

SUBJECT: Additional fuse carrier
(12-2039)

INTRODUCTION

1 This modification introduces the addition of an extra fuse carrier to the existing earth leakage fault test circuit.

1.1 Limitations on use of equipment. NIL

APPLICABILITY

2 Truck Cargo, 4 Tonne, 4 x 4, Bedford MJP (double-poled variants) of the following VACs 2039-3100, 2165-8100, 2165-3101, 2204-8100 and 2204-3100 held by user units, and vehicle depots.

REASON FOR MODIFICATION

3 Code 6 - MOD request

PRIORITY

4 ARMY: Routine
RAF: Class 3

ESTIMATED TIME REQUIRED

5 Embodiment: 2.5 man-hours

MODIFICATION IMPLEMENTATION PLAN

6

- 6.1 This modification is to be implemented by:
- ARMY - Units authorised to carry out levels 2, 3 and 4 maintenance.
 - RAF - Units immediately on receipt of stores and Vehicle Depots before issue of vehicle.
- 6.2 Associated modification instructions. Nil
- 6.3 Modification plate strike action: NA

Action required by:

7

- 7.1 Units and establishments holding equipment
- 7.1.1 Examine vehicle documents to see if modification is applicable.
 - 7.1.2 ARMY - Examine vehicle to see if modification is embodied and where necessary demand the stores required.
 - RAF - Examine vehicle to see if modification is embodied and where necessary demand the stores required.
 - 7.1.3 ARMY - On receipt of stores, request REME to modify equipment.
 - 7.1.4 ARMY - Record the modification Subject, AESP number and Army Modification Code in vehicle documents.
 - RAF - Record modification details on RAF Form 4870 and AF G1084A.
- 7.2 Army units authorised to carry out levels 2, 3 and 4 maintenance, and RAF units
- 7.2.1 ARMY - When requested by users or during overhaul, obtain the items listed in para 8 and carry out this modification.
 - RAF - On receipt of stores, embody the modification.
 - 7.2.2 Record completion details of modification against appropriate entry in equipment documents.
 - 7.2.3 Complete AF G1084A when reporting completion of the modification to Data Centre using the following FORWARD codes:
 - ARMY: EQUIPMENT CODE - See para 2
MODIFICATION CODE - NN0000
 - RAF: MODIFICATION CODE - AFC 258

7.3 All recipients of this instruction. Add particulars to AESP
2320-H-100-811 Mod Instr Index.

Stores, tools and equipment

8

8.1 Stores to be demanded

8.1.1 The following item is to be demanded quoting this instruction as authority for demand, and

8.1.2 Registration number of vehicle for equipment held by user units.

8.1.3 Registration number of vehicle for unmodified stock held in RAOC stores.

<u>Item No</u>	<u>COSA Section</u>	<u>NSN/Part No</u>	<u>Designation</u>	<u>Qty per eqpt</u>
1	6MT1	5920-99-793-4147	Fuse carrier assy	1

Sequence of operations

Note ...

The item numbers of para 8 are used as references throughout this instruction.

9 Carry out the modification as follows:

9.1 Turn off vehicle master switch.

9.2 Remove speedometer head and housing complete to gain access to the rear of the test buttons and lights.

9.3 Disconnect original fuse carrier from its position as shown in Fig 1.

9.4 Incorporate original fuse carrier assembly and additional fuse carrier assembly (item 1) into earth leakage fault test circuit as shown in Fig 2.

9.5 Replace speedometer head and housing.

9.6 Turn on vehicle master switch.

Testing after embodiment

10 Carry out full earth leakage test of all vehicles electrical equipment.

EFFECT ON WEIGHT

11 Negligible

PUBLICATION AMENDMENTS

12 Nil

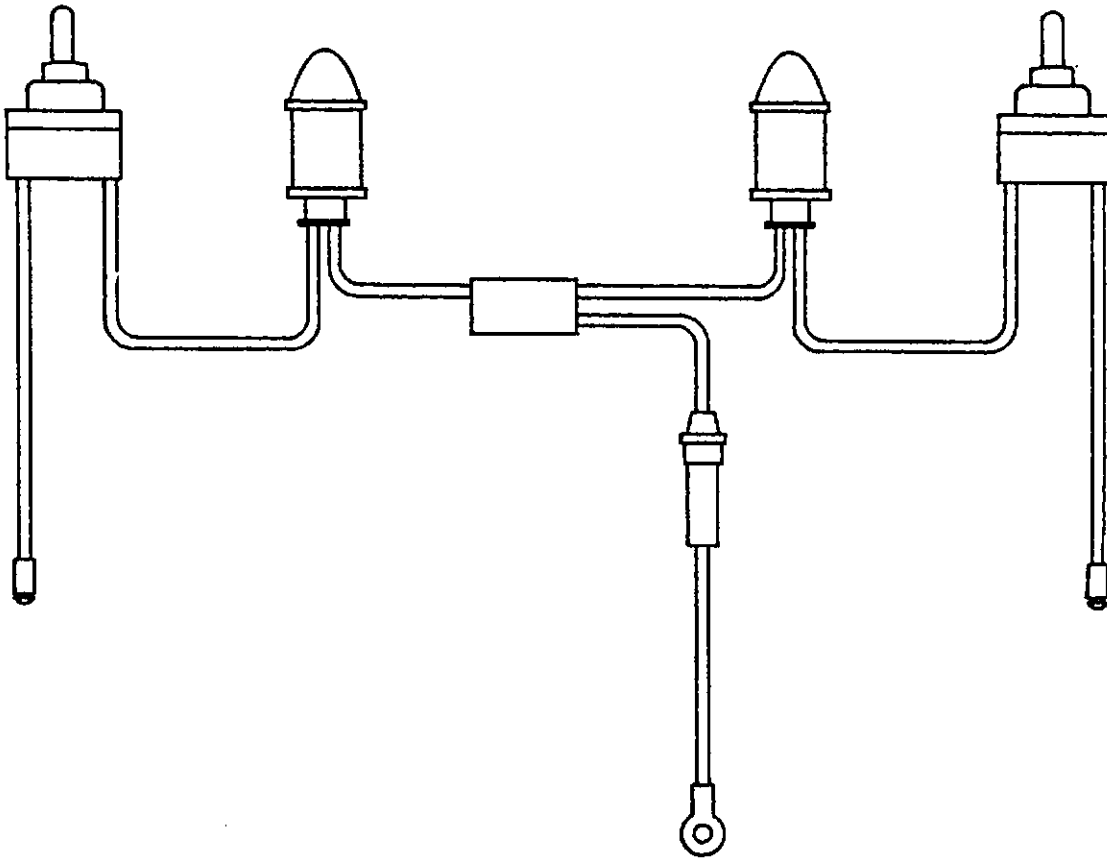


Fig 1 Unmodified earth leakage test circuit

V8481/1

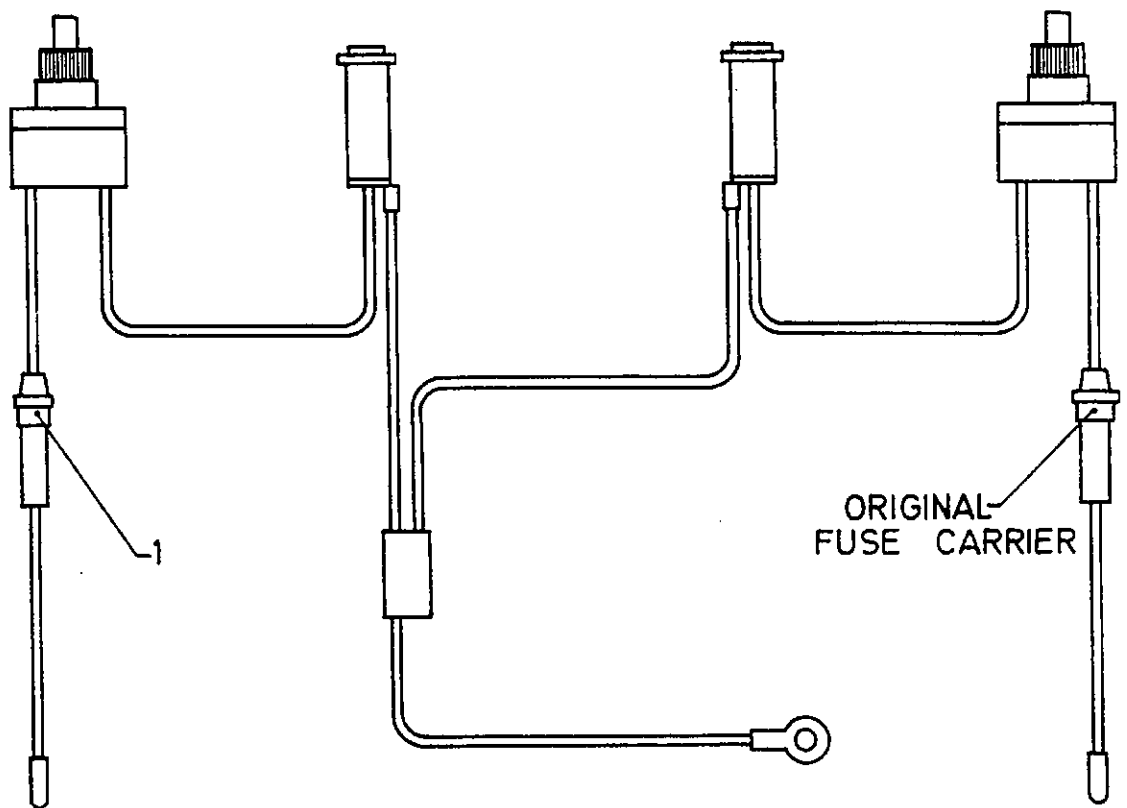


Fig 2 Modified earth leakage test circuit

V8481/2

TRUCK, 4 TONNE, 4 X 4, BEDFORD, MJ (ALL VARIANTS)

MODIFICATION INSTRUCTION NO 16

Sponsor:
DGEME (A)

Publications Authority:
Vehicles and Weapons Branch REME
Project No: 71312(91)
File ref: 0736/59

AMENDMENT RECORD

Amdt	Incorporated by	Date	Amdt	Incorporated by	Date
1			4		
2			5		
3			6		

SUBJECT: Convoy lamp line fuse
(12-1818)

INTRODUCTION

1 This modification has been brought about because of the possible fire hazard that may occur in the wiring harness if the trailer convoy light feed shorts to earth.

1.1 Limitations on use of equipment. NIL

APPLICABILITY

2 Truck, 4 Tonne, 4 x 4, Bedford, MJ (all variants).

2.1 Unmodified stock, held in RAOC and technical stores.

REASON FOR MODIFICATION

3 Code 6 - MOD request

PRIORITY

4 ARMY: Routine
RAF: Class 3

ESTIMATED TIME REQUIRED

5 Embodiment: 3.5 man-hours

MODIFICATION IMPLEMENTATION PLAN

6

- 6.1 This modification is to be implemented by:
- ARMY - Units authorized to carry out levels 2, 3 and 4 maintenance.
 - RAF - Units not later than the next scheduled servicing and Vehicle Depots before issue of vehicle.
- 6.2 Associated modification instructions. Nil
- 6.3 Modification plate strike action: NA

Action required by:

7

- 7.1 Units and establishments holding equipment
- 7.1.1 Examine vehicle documents to see if modification is applicable.
 - 7.1.2 ARMY - Examine vehicle to see if modification is embodied and where necessary units with 1st Line REME Support demand the stores required.

RAF - Examine vehicle to see if modification is embodied and where necessary demand the stores required.
 - 7.1.3 ARMY - On receipt of stores, request REME to modify equipment.
 - 7.1.4 ARMY - Record the modification Subject, AESP number and Army Modification Code in vehicle documents.

RAF - Record modification details on RAF Form 4870 and AF G1084A.
- 7.2 Army units authorised to carry out levels 2, 3 and 4 maintenance, and RAF units
- 7.2.1 ARMY - When requested by users or during overhaul of vehicles on charge without REME 1st Line Support, obtain the items listed in para 8 and carry out this modification.

RAF - On receipt of stores, embody the modification.
 - 7.2.2 Record completion details of modification against appropriate entry in vehicle documents.
 - 7.2.3 Complete AF G1084A when reporting completion of the modification to Data Centre using the following FORWARD codes:

ARMY: EQUIPMENT CODE: See para 2
MODIFICATION CODE: NN0000
RAF: MODIFICATION CODE: AFC 259

7.3 All recipients of this instruction. Add particulars to AESP ref 2320-H-100-811 Mod Instr Index.

Stores, tools and equipment

8

8.1 Stores to be demanded

8.1.1 The following modification set is to be demanded quoting this instruction as authority for demand, and

8.1.2 Registration number of vehicle for equipment held by user units.

8.1.3 Registration number of vehicle for unmodified stock held in RAOC and technical stores.

<u>Item No</u>	<u>COSA Section</u>	<u>NSN/Part No</u>	<u>Designation</u>	<u>Qty per eqpt</u>
1	7BD	2590-99-839-7238	Mod set: Convoy lamp line fuse comprising:	1
2		91131086	Cable assy line fuse	(1)
3		8824959	Clip	(1)

Sequence of operations

Note ...

The item numbers of para 8 are used as references throughout this instruction.

9 Carry out the modification as follows:

9.1 Disconnect or isolate battery supply.

9.2 Remove vehicle lighting switch.

9.3 Identify terminal No 2 on vehicle lighting switch and disconnect Red/Green cable.

9.4 Fit to terminal No 2 on vehicle lighting switch female connector of cable assy line fuse (item 2).

9.5 Fit male connector of cable assy line fuse (item 2) into the female connector of previously disconnected Red/Green cable.

9.6 Ensure insulating sleeve is over connection between male connector of cable assy line fuse (item 2) and female connector of Red/Green cable.

9.7 Secure line fuse in the back of instrument panel using clip (item 3).

9.8 Refit vehicle lighting switch.

9.9 Reconnect battery supply and test circuit.

Testing after embodiment

10 Nil

EFFECT ON WEIGHT

11 Negligible

PUBLICATION AMENDMENTS

12 Nil

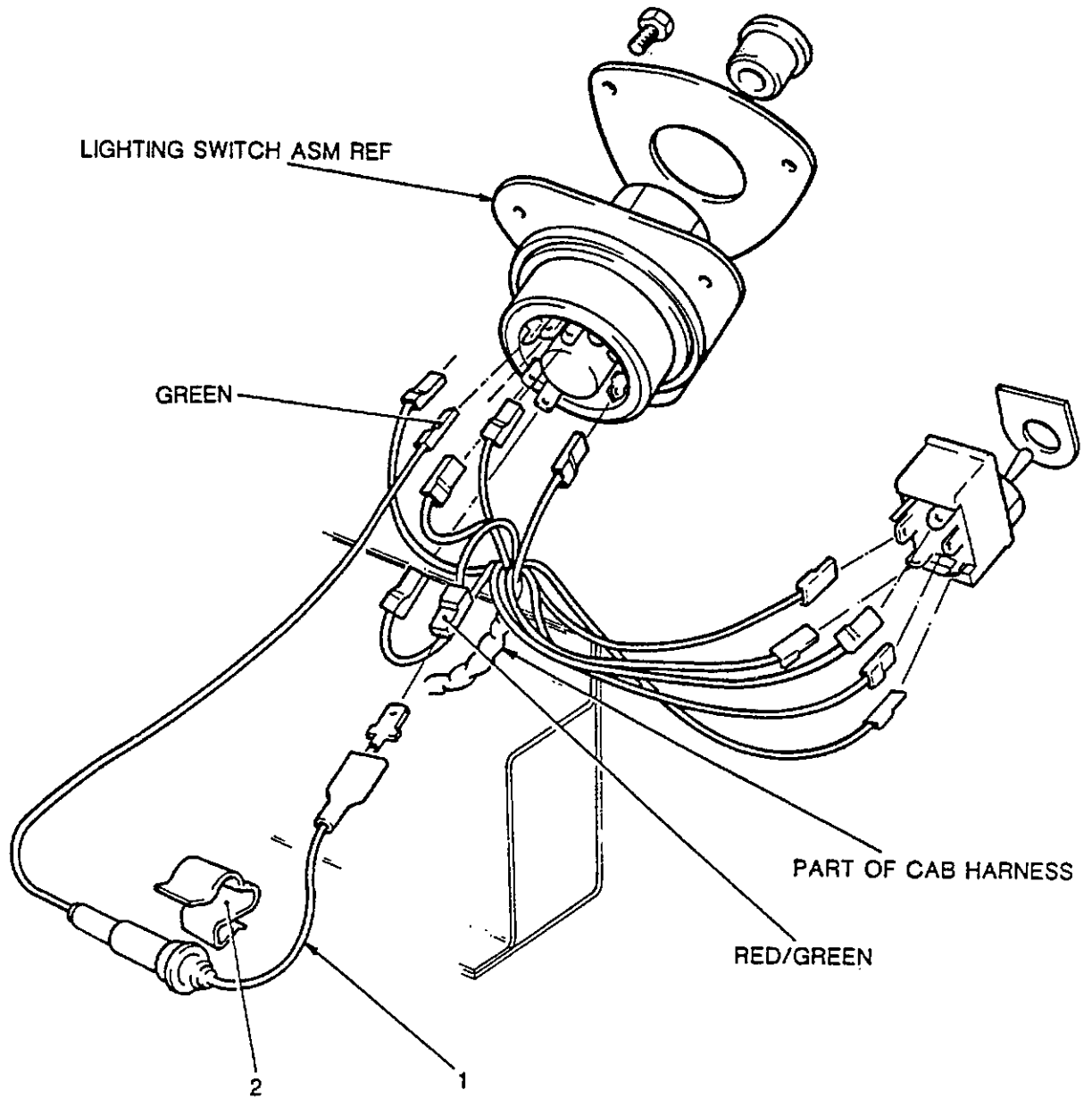


Fig 1 Convoy lamp line fuse

V8224/1

CONDITIONS OF RELEASE

- 1 This information is released by the UK Government for Defence purposes only.
- 2 This information must be afforded the same degree of protection as that afforded to information of an equivalent security marking originated by the recipient Government or as required by the recipient Government's security regulations.
- 3 This information may be disclosed only within the Defence Department of the recipient Government, except as otherwise authorized by the Ministry of Defence (Army).
- 4 This information may be subject to privately owned rights.

TRUCK, 4 TONNE, 4 X 4, BEDFORD MJ

(ALL VARIANTS)

MODIFICATION INSTRUCTION NO. 17

CANCELLATION

INTRODUCTION

- 1 This Amendment authorises the cancellation of AESP 2320-H-100-811 Modification Instruction No. 17. Instruction cancelled as requirement now fulfilled.

ACTION

- 2 Remove all pages of AESP 2320-H-100-811 Modification Instruction No. 17 and destroy them.
- 3 File this amendment in its place.

Amendment record

- 4 Record the incorporation of this Amendment.

CONDITIONS OF RELEASE

- 1 This information is released by the UK Government for Defence purposes only.
- 2 This information must be afforded the same degree of protection as that afforded to information of an equivalent security marking originated by the recipient Government or as required by the recipient Government's security regulations.
- 3 This information may be disclosed only within the Defence Department of the recipient Government, except as otherwise authorized by the Ministry of Defence (Army).
- 4 This information may be subject to privately owned rights.

TRUCK, 4 TONNE, 4 X 4, BEDFORD MJ

(ALL VARIANTS)

MODIFICATION INSTRUCTION NO. 18

CANCELLATION

INTRODUCTION

- 1 This Amendment authorises the cancellation of AESP 2320-H-100-811 Modification Instruction No. 18. Instruction cancelled as requirement now fulfilled.

ACTION

- 2 Remove all pages of AESP 2320-H-100-811 Modification Instruction No. 18 and destroy them.
- 3 File this amendment in its place.

Amendment record

- 4 Record the incorporation of this Amendment.

TRUCK, 4 TONNE, 4 X 4

BEDFORD MJ (ALL VARIANTS)

MODIFICATION INSTRUCTION No 19

Sponsor:
DGES(A)

Publications Authority:
Vehs & Wpns Br REME
Project No: 71712(134)
File ref: 0736/70

AMENDMENT RECORD

Amdt No	Incorporated By (Signature)	Date	Amdt No	Incorporated By (Signature)	Date
1			4		
2			5		
3			6		

**SUBJECT: Transmission hand brake shield
(12-2074)**

INTRODUCTION

1 This Instruction introduces a shield to the transmission brake backplate to stop the ingress of debris. The wear rate of shoes and drums, which should in principle last the life of the vehicle, should reduce to acceptable levels with the embodiment of this modification. All the necessary details are provided.

1.1 Limitations on use of equipment. Nil

APPLICABILITY

2 Truck, 4 Tonne, 4 x 4, Bedford MJP (all variants) held by user units.

REASON FOR MODIFICATION

3 Code 3 - to improve reliability

PRIORITY

4 ARMY: Routine, no later than the next maintenance interval
RAF: Class 3

ESTIMATED TIME REQUIRED

5 Embodiment: 3 man-hour.

MODIFICATION IMPLEMENTATION PLAN

6

6.1 This modification is to be implemented by:

ARMY - Units authorised to carry out levels 2, 3 and 4 maintenance.

RAF - Units not later than the next lubrication maintenance.

6.2 Associated modification instructions. Nil

6.3 Modification plate strike action: Nil

Action required by

7

7.1 Units and establishments holding equipment.

7.1.1 Examine vehicle documents to see if modification is applicable.

7.1.2 ARMY - Examine vehicle to see if modification is embodied and where necessary units with 1st Line REME Support demand the stores required.

RAF - Examine vehicle to see if modification is embodied and where necessary demand the stores required.

7.1.3 ARMY - On receipt of stores, request REME to modify equipment.

7.1.4 ARMY - Record the modification Subject, AESP number and Army Modification Code in vehicle documents

RAF - Record modification details on RAF Form 4870 and AF G1084A. Units operating STAMA are also to record modification details on ADP MTMS Job Certification Sheet and to follow procedures laid down in AP 100C-08A.

7.2 Army units authorised to carry out levels 2, 3 and 4 maintenance, and RAF units.

7.2.1 ARMY - When requested by users or during overhaul of vehicles on charge without REME 1st Line Support, obtain the items listed in Para 8 and carry out this modification.

RAF - On receipt of stores, embody the modification.

7.2.2 Record completion details of modification against appropriate entry in vehicle documents.

7.2.3 Complete AF G1084A when reporting completion of the modification to Data Centre using the following FORWARD codes:

ARMY: EQUIPMENT CODE: See Para 2
MODIFICATION CODE: NNØØØØ
RAF: MODIFICATION CODE: AFC 265

NOTE

RAF Units operating STAMAS are also to complete ADP MTMS Job Certification Sheet and to follow the procedures laid down in AP 100C-08A.

7.3 All recipients of this modification. Add particulars to AESP ref 2320-H-100-811 Mod Instr Index.

Stores, tools and equipment

8

8.1 Stores to be demanded.

8.1.1 The following item is to be demanded quoting this instruction as authority for demand.

Item No	COSA Section	NSN/Part No	Designation	Qty per eqpt
1	6MT9	2530-99-056-2679	Shield	1

Sequence of operations

NOTE

The 'item numbers' of Para 8 are used as reference throughout this instruction.

9 Carry out this modification as follows:

9.1 Remove the rearmost propeller shaft complete.

9.2 Remove the transmission brake drum and shoes.

9.3 Refer to AESP Cat 522, repair Instr, Chapter 5 Para 22 and remove the pinion flange.

9.4 Remove the transmission brake backplate.

9.5 Fit the shield (item 1) to the axle using the same mountings as the backplate, replace the backplate, leave the bolts slack.

9.6 Refer to Cat 522 Chapter 5 and replace the pinion flange.

9.7 Position the shield (item 1) so the clearance to the pinion flange is equal around its circumference. Ensure that no foul occurs.

9.8 Fully tighten the backplate/shield securing bolts.

9.9 Replace the brake shoes, drum and propeller shaft.

Testing after embodiment

10 Nil.

EFFECT ON WEIGHT

11 Nil.

PUBLICATION AMENDMENTS

NOTE

Necessary amendments will be issued separately.

12 Nil

TRUCK, 4 TONNE, 4 X 4, BEDFORD MJ (ALL VARIANTS)

MODIFICATION INSTRUCTION No 20

Sponsor:
DGES(A)

Publications Authority:
Vehs & Wpns Br REME
Project No: 71712(169)
File ref: 0736/71

AMENDMENT RECORD

Amdt No	Incorporated By (Signature)	Date	Amdt No	Incorporated By (Signature)	Date
1	██████████	30/1/98	4		
2			5		
3			6		

**SUBJECT: SA80 rifle clip mountings
(12-1819)**

INTRODUCTION

1 This instruction introduces revised mounting brackets to accommodate SA80 rifles in place of the SLR. When required the interface brackets onto which the rifle butt and barrel mountings attach, must be manufactured locally to REME manufacturing drawings. Layouts to locate the weapons in alternative vehicle variants are provided together with all the necessary details to embody this modification.

1.1 Limitations on use of equipment. Nil

APPLICABILITY

2 Truck, 4 Tonne, 4 x 4, Bedford MJ, all variants held by user units.

REASON FOR MODIFICATION

3 Code 6 - other reasons - to allow SA80 rifle to be carried

PRIORITY

4 ARMY: Routine
RAF: Class 3

ESTIMATED TIME REQUIRED

5 Embodiment: 4 to 6 man-hours depending on variant.
Manufacturing: 8 to 10 man-hours depending on variant.

MODIFICATION IMPLEMENTATION PLAN

6

6.1 This modification is to be implemented by:

ARMY - Units authorised to carry out levels 2, 3 and 4 maintenance.

RAF - Units when requested.

6.2 Associated modification instructions. Nil

6.3 Modification plate strike action: Nil

Action required by

7

7.1 Units and establishments holding equipment.

7.1.1 Examine vehicle documents to see if modification is applicable.

7.1.2 ARMY - Examine vehicle to see if modification is embodied and where necessary units with 1st Line REME Support demand the stores required.

RAF - Examine vehicle to see if modification is embodied and where necessary demand the stores required.

7.1.3 ARMY - On receipt of stores, request REME to modify equipment.

7.1.4 ARMY - Record the modification Subject, AESP number and Army Modification Code in vehicle documents.

RAF - Record modification details on RAF Form 4870 and AF G1084A. Units operating STAMA are also to record modification details on ADP MTMS Job Certification Sheet and to follow procedures laid down in AP 100C-08A.

7.2 Army units authorised to carry out levels 2, 3 and 4 maintenance, and RAF units.

7.2.1 ARMY - When requested by users or during overhaul of vehicles on charge without REME 1st Line Support, obtain the items listed in para 8 and carry out this modification.

RAF - On receipt of stores, embody the modification.

7.2.2 Record completing details of modification against appropriate entry in vehicle documents.

7.2.3 Complete AF G1084A when reporting completion of the modification to Data Centre using the following FORWARD code:

ARMY: EQUIPMENT CODE: See Para 2
MODIFICATION CODE: NNØØØØ
RAF: MODIFICATION CODE: AFC 268

NOTE

RAF Units operating STAMA are also to complete ADP MTMS Job Certification Sheet and to follow the procedures laid down in AP 100C-08A.

7.3 All recipients of this instruction. Add particulars to AESP 2320-H-100-811 Mod Instr Index.

Stores, tools and equipment

8

8.1 Stores to be demanded.

8.1.1 The following items are to be demanded quoting this instruction as authority for demand, and

8.1.2 Registration number of vehicle for equipment held by user units.

Item No	COSA Section	NSN/Part No	Designation	Qty per eqpt
1	6MT1	2540-99-740-7338	Mounting rifle barrel	As Reqd
2	6MT1	2540-99-740-7339	Mounting rifle butt	As Reqd
3	7BD	2510-99-802-1513	Buffer	As Reqd

8.2 Stores or suitable equivalent to be obtained locally.

4	G1	5305-99-122-5360	Machine screw metric coarse M6 x 16 x 1	As Reqd
5	G1	5310-99-624-3132	Washer, flat M6	As Reqd
6	G1	5310-99-122-5495	Nut, self locking M6 x 1	As Reqd
7	G1	5305-99-122-5366	Machine screw metric coarse M8 x 20	As Reqd
8	G1	5310-99-977-1085	Washer, flat M8	As Reqd
9	G1	5310-99-122-5496	Nut, self locking M8	As Reqd

Item No	COSA	NSN/Part No Section	Designation	Qty per eqpt
10	G1	5305-99-122-5368	Machine screw metric coarse M8 x 30	As Reqd

8.3 Stores to be manufactured.

11		002621	Bracket, rifle butt mounting	As Reqd
12		002622	Bracket, rifle barrel mounting	As Reqd
13		002623	Bracket, rifle butt mounting	As Reqd
14		002624	Bracket, rifle butt mounting	As Reqd
15		002625	Bracket, rifle barrel mounting	As Reqd
16		002626	Bracket, rifle barrel mounting	As Reqd
17		002627	Bracket, rifle butt mounting	As Reqd

NOTE

Drawings for items 11 to 17 can be obtained from:

The Chief Draughtsman
LSTPA
Repository Road
Woolwich, SE18 4QA

quoting the REME Drawing No reqd in accordance with EMER Mgmt Y030.

Sequence of operations

NOTE

The 'item numbers' of Para 8 are used as reference throughout this instruction.

9 Carry out this modification as follows:

9.1 GS Variant (2 and 3 seater).

9.1.1 Refer to Fig 1, parcel shelf drilling details. Drill holes through the shelf and insulation as illustrated.

9.1.2 Manufacture or arrange for the manufacture of quantity 2 rifle butt mounting brackets (item 13).

9.1.3 Refer to Fig 2 and secure brackets (item 13) and mountings (items 1 and 2) to the parcel shelf using fixings (items 4, 5 and 6 and 7, 8 and 9). When securing the r.h barrel mounting (item 1) locally produced spacers will be required as illustrated.

9.2 GS Variant (3 seater) and FFR.

9.2.1 Refer to Figs 3, 4 (RHD) and 5 (LHD) instrument panel mounting drilling detail. Drill holes through the instrument panel as illustrated ensuring that the area on the underside is clear.

9.2.2 Manufacture or arrange for the manufacture of one barrel mounting bracket (item 12) and one butt mount bracket (item 11).

9.2.3 Secure brackets (items 11 and 12) and mountings (items 1 and 2) to the instrument panel using fixing (items 4, 5 and 6 and 7, 8 and 9) as illustrated.

9.3 FFR and Truck fuel servicing variants.

9.3.1 Refer to Fig 6, engine cover drilling detail. Drill holes through engine cover ensuring that the correct holes (L or RHD) are used and the area on the underside is clear.

9.3.2 Manufacture or arrange for the manufacture of one butt mounting bracket (item 14), one barrel mounting bracket (item 15) RHD or (item 16) LHD, one butt mounting bracket (item 13) and one butt mounting bracket (item 17).

9.3.3 Refer to Fig 7 (RHD) or 8 (LHD). Secure the brackets (items 13, 14, 15 or 16 and 17) and mountings (items 1 and 2) to the engine cover using fixings (items 4, 5, 6, 7, 8, 9 and 10) and buffer (item 3) as illustrated.

9.4 Paint all affected areas.

Testing after embodiment

10 Nil.

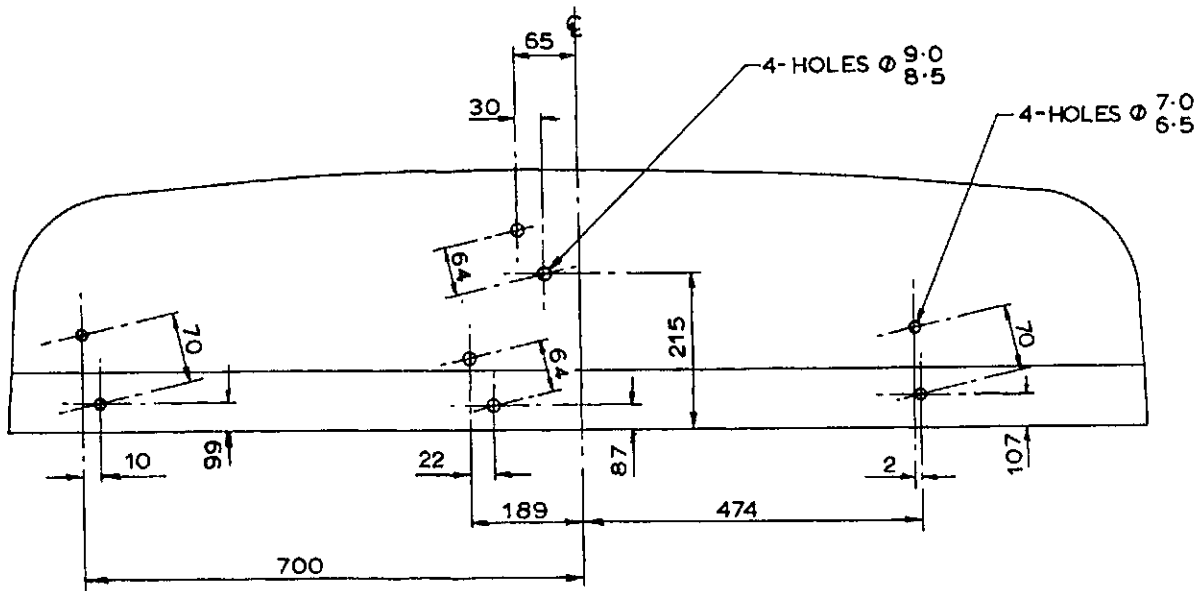
EFFECT ON WEIGHT

11 Nil.

PUBLICATION AMENDMENTS

NOTE

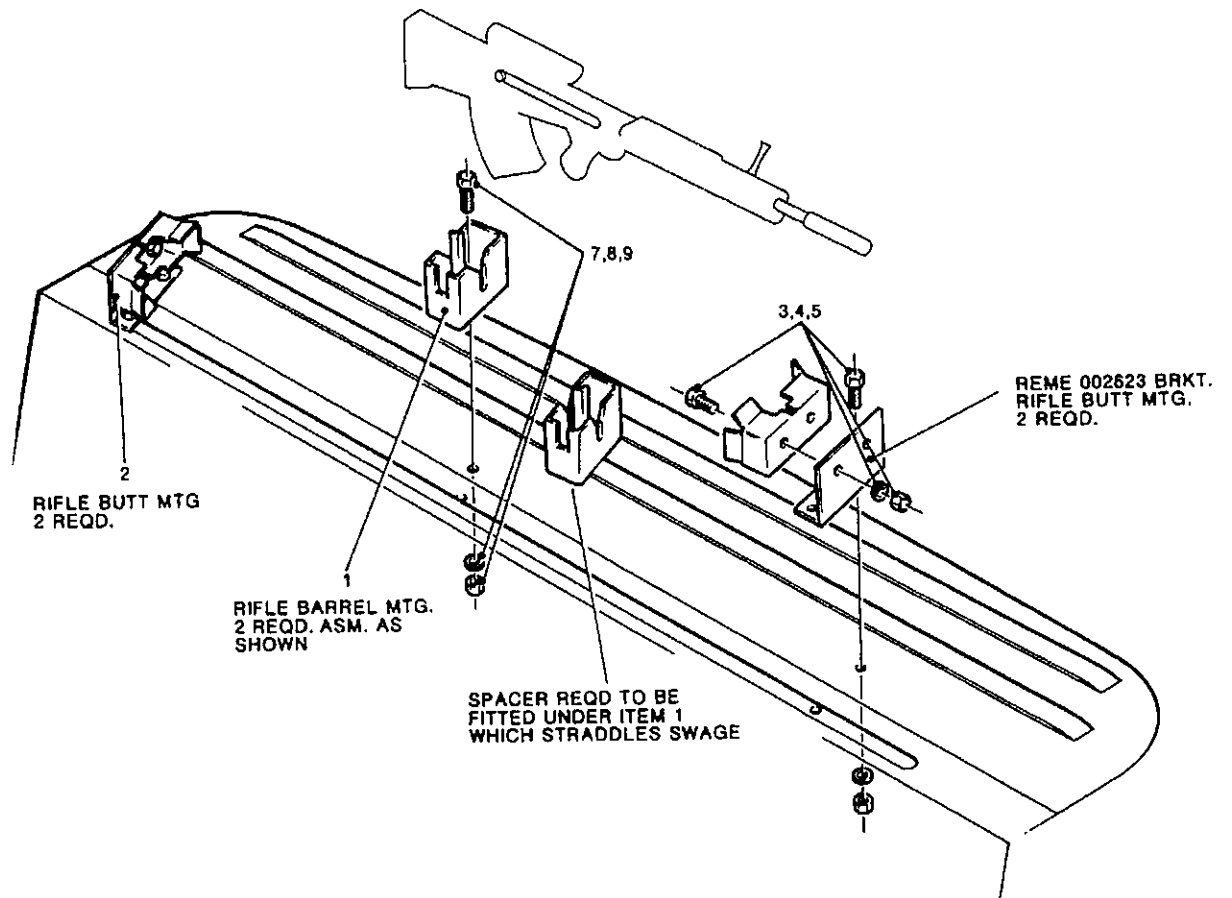
12 Necessary amendments will be issued separately.



NOTE: HOLES DRILLED ON ASM
THRO INSULATOR & PARCEL
SHELF

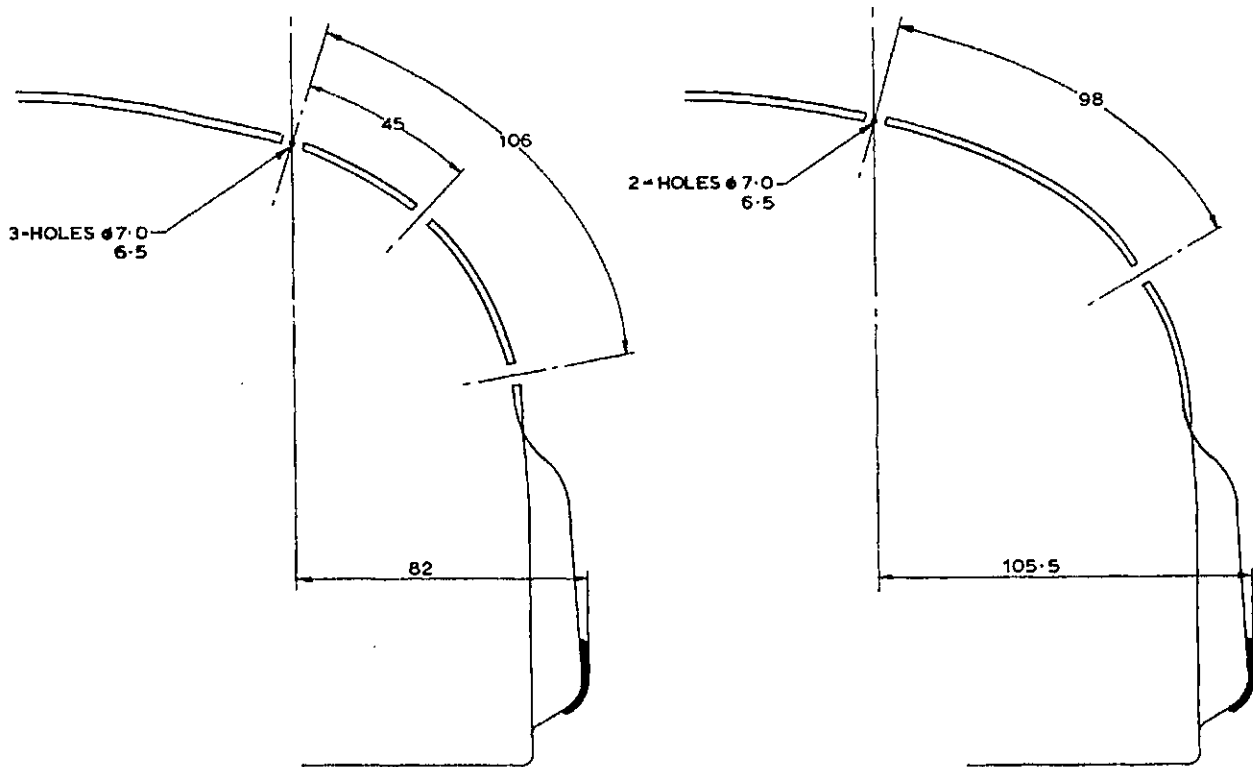
V9940/2

Fig 1 Parcel shelf mounting – drilling detail
(2 and 3 seater GS variants)



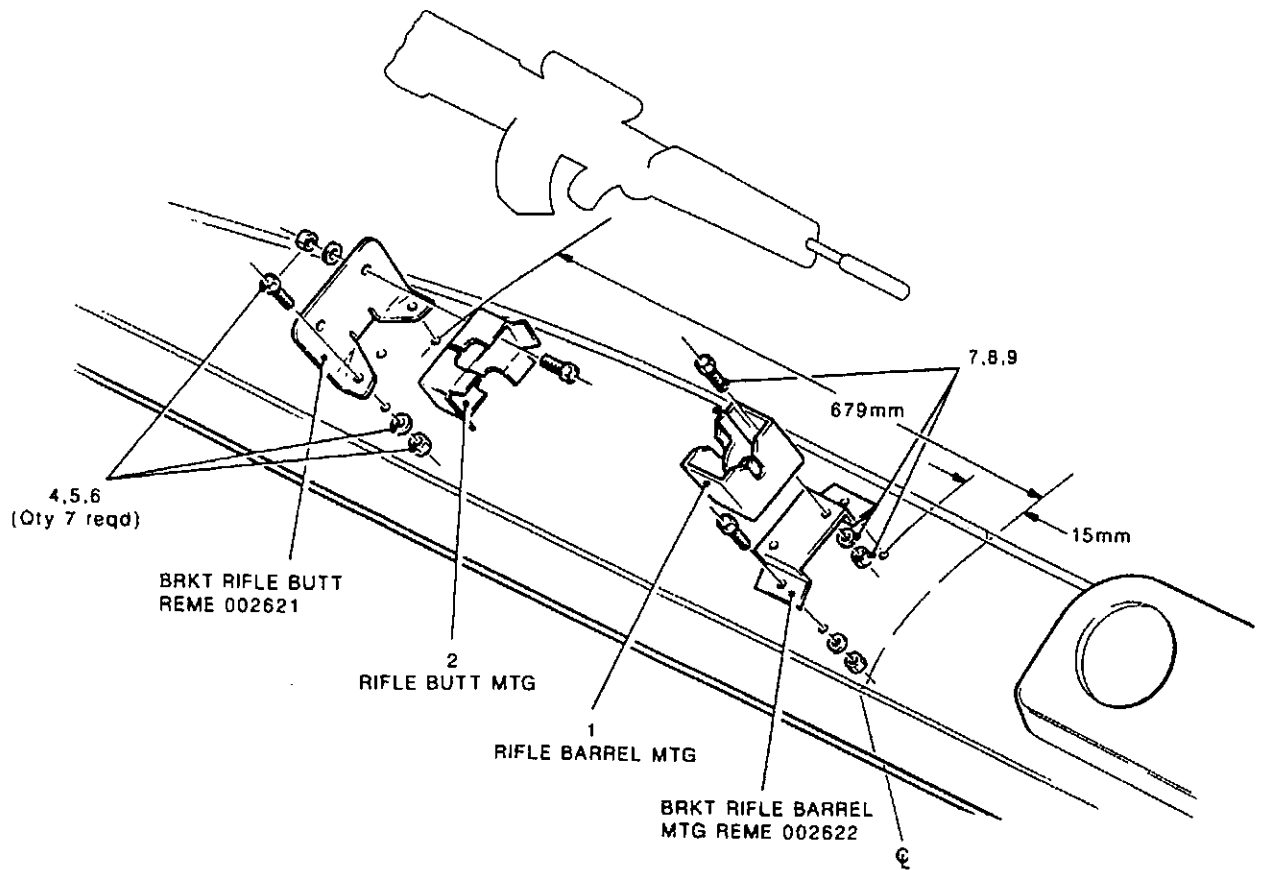
V9940/1

Fig 2 Parcel shelf – general arrangement
(2 and 3 seater GS variant)



V9940/5

Fig 3 Instrument panel mounting – drilling detail
(to be used in conjunction with Figs 4 and 5)

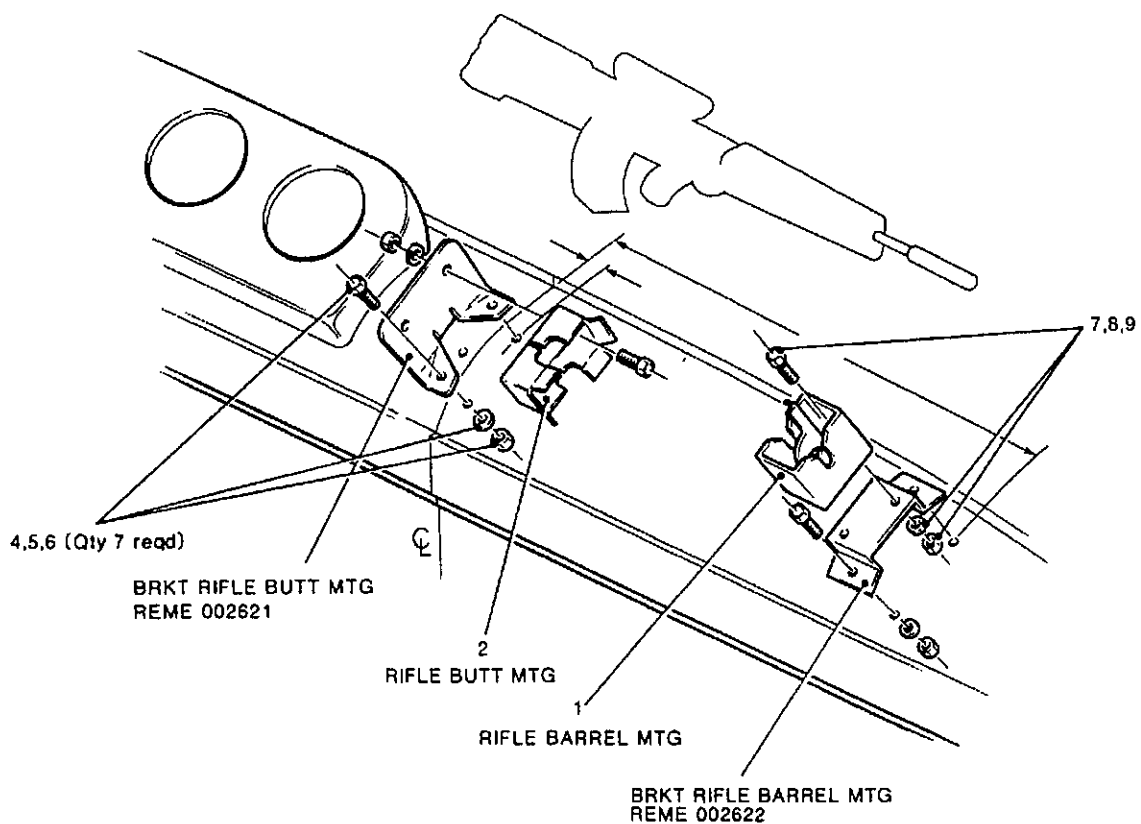


V9940/3

Fig 4 Instrument panel – general arrangement RHD

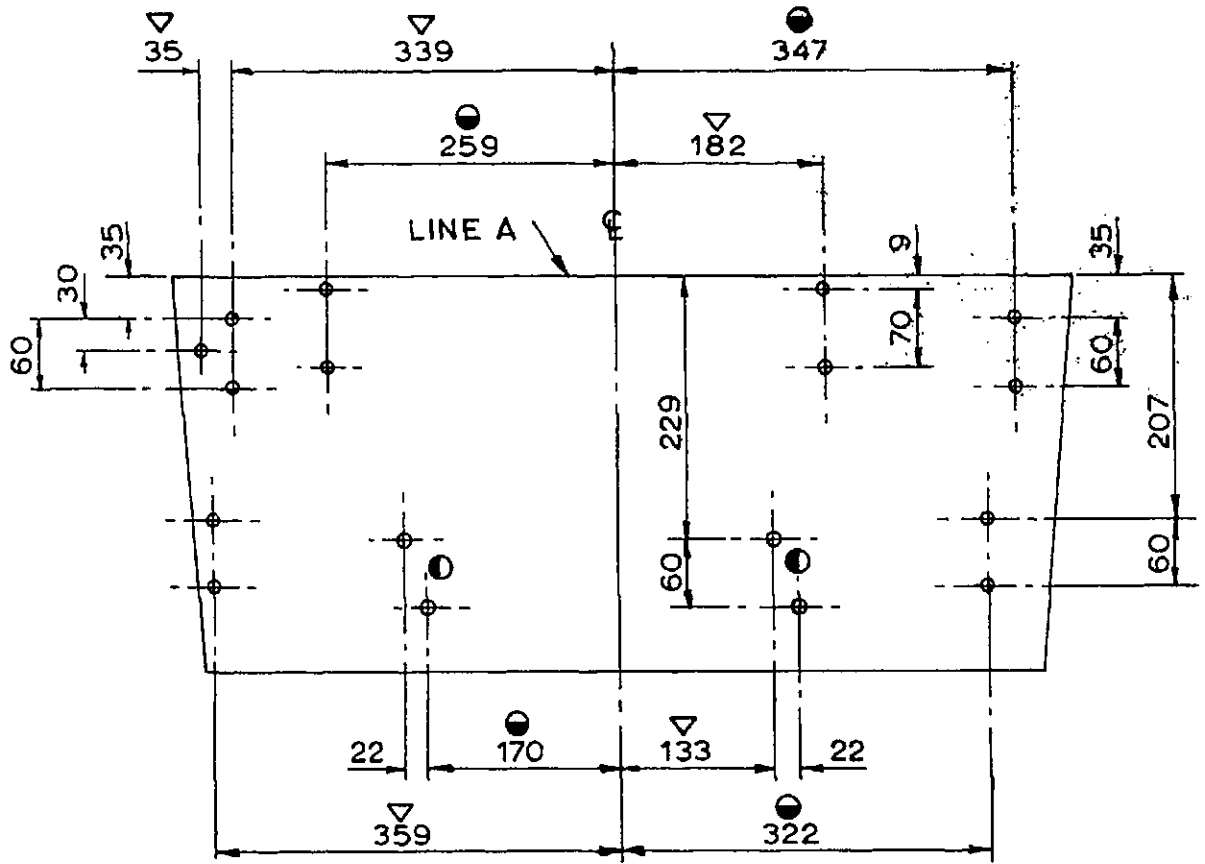
72211(173)
ATSA Chertsey
CP-022109
Aug 97 (Amdt 1)

Mod Instr No 20
Page 9



V9940/4

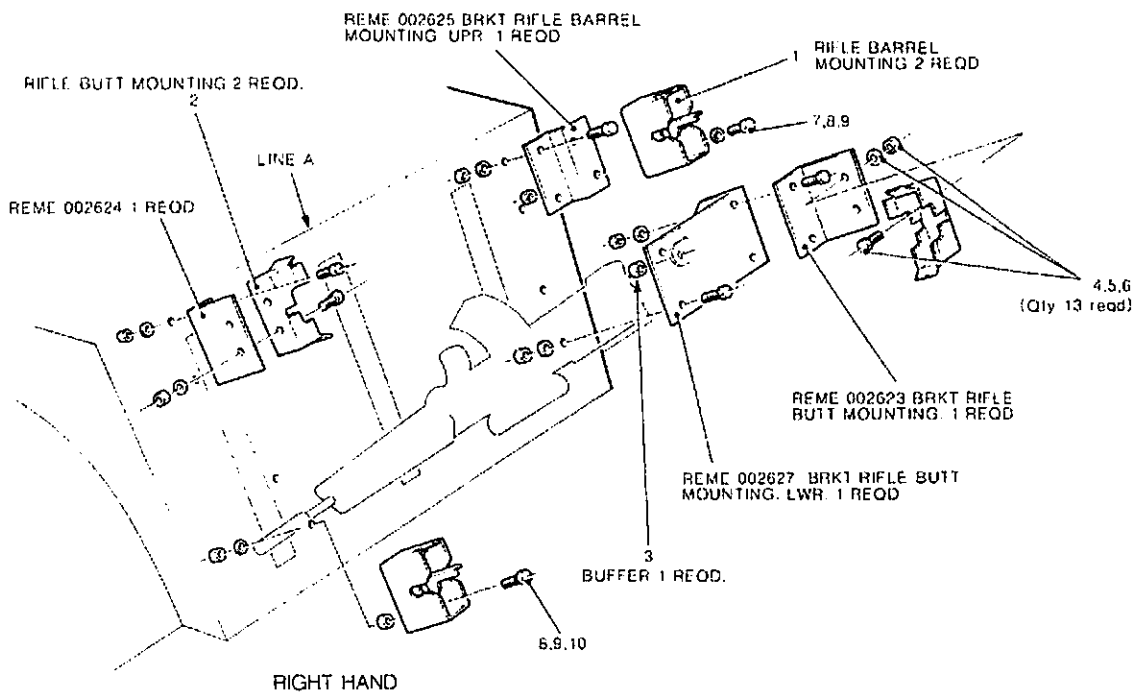
Fig 5 Instrument panel – general arrangement LHD



- ▽ REQD L.D.
- REQD R.D.
- ⊙ $\begin{matrix} \phi 9.0 \\ \phi 8.5 \end{matrix}$ HOLES
- ALL OTHER HOLES $\begin{matrix} \phi 7.0 \\ \phi 6.5 \end{matrix}$

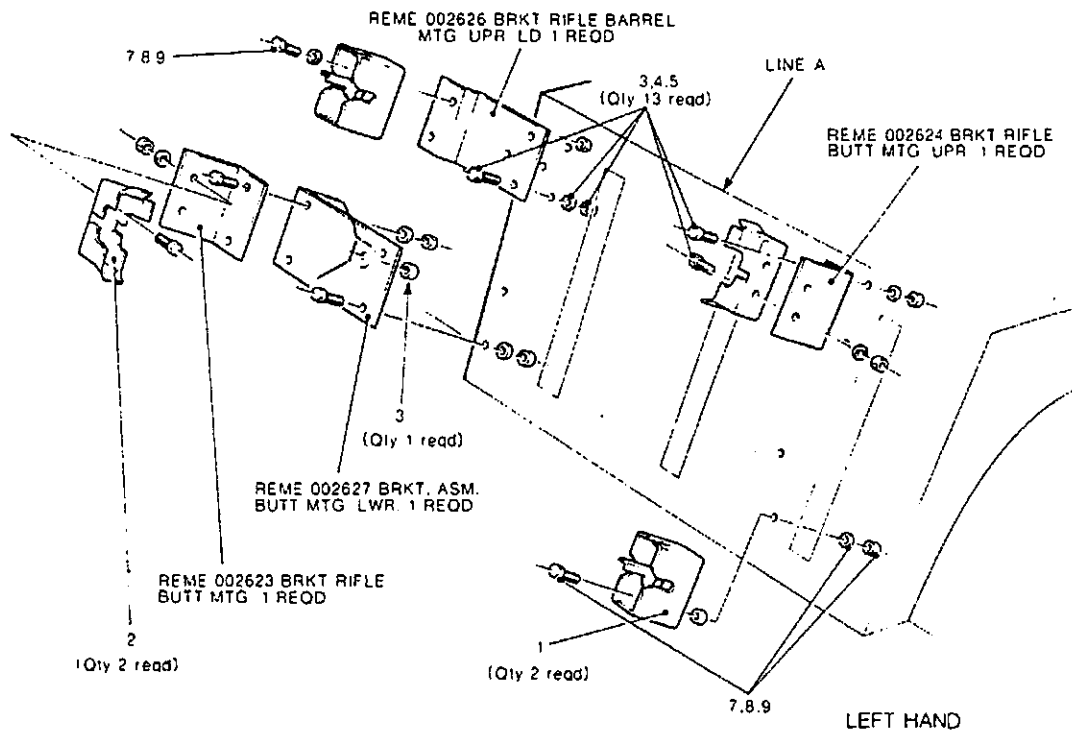
V9939/3

Fig 6 Engine cover mounting – drilling detail



V9939/1

Fig 7 Engine cover mounting – general arrangement RHD



V9939/2

Fig 8 Engine cover mounting – general arrangement – LHD

**TRUCK, 4 TONNE, 4X4, BEDFORD MJ (ALL VARIANTS)
MODIFICATION INSTRUCTION 21**

CANCELLATION

INTRODUCTION

1 This Amendment authorizes the cancellation of AESP 2320-H-100-811 Modification Instruction 21. The third generation fuel tanks were never procured.

ACTION

- 2 Remove all pages of AESP 2320-H-100-811 Modification Instruction 21 and destroy them.
- 3 File this amendment in its place.

Amendment record

- 4 Record the incorporation of this Amendment.

CONDITIONS OF RELEASE

- 1 This information is released by the UK Government for Defence purposes only.
- 2 This information must be afforded the same degree of protection as that afforded to information of an equivalent security marking originated by the recipient Government or as required by the recipient Government's security regulations.
- 3 This information may be disclosed only within the Defence Department of the recipient Government, except as otherwise authorized by the Ministry of Defence (Army).
- 4 This information may be subject to privately owned rights.

TRUCK, 4 TONNE, 4 X 4, BEDFORD MJ

(ALL VARIANTS)

MODIFICATION INSTRUCTION NO. 22

CANCELLATION

INTRODUCTION

- 1 This Amendment authorises the cancellation of AESP 2320-H-100-811 Modification Instruction No. 22. Instruction cancelled as requirement now fulfilled.

ACTION

- 2 Remove all pages of AESP 2320-H-100-811 Modification Instruction No. 22 and destroy them.
- 3 File this amendment in its place.

Amendment record

- 4 Record the incorporation of this Amendment.

TRUCK, 4 TONNE, 4 X 4, BEDFORD MJ (ALL VARIANTS)

MODIFICATION INSTRUCTION NO. 23

Sponsor:
DGES(A)

Publication Agency:
ATSA Chertsey
Project No: 72211(121)
File ref: Task 4576

AMENDMENT RECORD

Amdt No.	Incorporated By (Signature)	Date
1		
2		
3		

Amdt No.	Incorporated By (Signature)	Date
4		
5		
6		

SUBJECT: Fuel tank

(Approval No. 12-2067/3)

INTRODUCTION

1 The manufacturers have introduced a third generation fuel tank, recognised as having the tank sender unit positioned on the top face. The fuel tank will supersede both the original and the revised tank introduced at Mod Instr No. 12 when stocks have been exhausted. This instruction details the actions to be taken when replacement fuel tanks are deemed necessary to change from:

- 1.1 The original to the third generation.
- 1.2 The revised second generation to the third.

APPLICABILITY

2 Truck, Cargo, 4 Tonne, 4 x 4, Bedford MJ (All Variants).

REASON FOR MODIFICATION

3 Code 5 - to conform to changes in pattern of commercial stores.

PRIORITY

4

- 4.1 ARMY: Routine.
- 4.2 RAF: Class 3.

ESTIMATED TIME REQUIRED

5 Embodiment: 6 man-hours.

MODIFICATION IMPLEMENTATION PLAN

6

- 6.1 This instruction is to be implemented by
 - 6.1.1 ARMY - Units authorized to carry out levels 2, 3 and 4 maintenance.
 - 6.1.2 RAF - Units as and when required.
- 6.2 Associated modification instructions. Mod Instr No. 12.
- 6.3 Modification strike plate action: N/A

Action required by

7

- 7.1 Units and establishments holding equipment:
 - 7.1.1 Examine vehicle documents to see if modification is applicable.
 - 7.1.2 ARMY - Examine vehicle to see if modification is embodied and where necessary units with 1st Line REME Support demand the stores required.
 - 7.1.3 RAF - Examine vehicle to see if modification is embodied and where necessary demand the stores required.
 - 7.1.4 ARMY - On receipt of stores, request REME to modify equipment.
 - 7.1.5 ARMY - Record the modification Subject, AESP Number and Army Modification Code in vehicle documents.
 - 7.1.6 RAF - Record modification details on RAF Form 4870 and AF G1084A. Units operating STAMA are also to record modification details on ADP MTMS Job Certification Sheet and to follow procedures laid down in AP 100C-08A.
- 7.2 Army units authorised to carry out levels 2, 3 and 4 maintenance, and RAF units.
 - 7.2.1 ARMY - When requested by users or during overhaul of vehicles on charge without REME 1st Line Support, obtain the items listed in Para 8 and carry out this modification.
 - 7.2.2 RAF - On receipt of stores, embody the modification.
 - 7.2.3 Record completion details of modification against appropriate entry in vehicle documents.
 - 7.2.4 Complete AF G1084A when reporting completion of the modification to Data Centre using the following FORWARD code:

RAF: MODIFICATION CODE - AFC 273
- NOTE

RAF Units operating STAMA are also to complete ADP MTMS Job Certification Sheet and to follow the procedures laid down in AP 100C-08A.
- 7.3 All recipients of this instruction. Add particulars to AESP 2320-H-100-811 Mod Instr Index.

Stores, tools and equipment

8

8.1 Stores to be demanded:

8.1.1 The following items and modification set are to be demanded quoting this instruction as authority for demand.

8.1.2 To modify from original tank to third new tank, items 1-22 inc. are required.

8.1.3 To modify from second tank (Mod Instr 12) to third new tank, only items 1 and 22 are required

Item No.	DMC	NSN/Part No.	Designation	Qty per eqpt
1	7BD	2910-99-051-6319	Fuel tank	1
	7BD	2910-99-839-7037	Mod set: Fuel Tank Fitting Kit comprising:	1
2	7BD	4710-99-942-4715	Pipe, nylon	(2)
3	6MT1	4730-99-835-0703	Nut	(6)
4	6MT1	4730-99-831-9967	Olive	(6)
5		91089146	Nut	(2)
6		91087456	Olive	(2)
7	7BD	2590-99-978-2581	Adapter	(2)
8	7BD	4730-99-192-0235	Adapter	(1)
9	6MT1	5330-99-881-2905	Ring	(2)
10	7BD	4820-99-978-1716	Valve assy	(1)
11	7BD	4730-99-172-9260	Adapter	(1)
12	7BD	4730-99-352-4622	Elbow	(1)
13	7BD	2590-99-978-1715	Handle assy	(1)
14	7BD	5315-99-570-5835	Pin	(1)
15	7BD	4730-99-839-7350	Adapter	(1)
16	G1	5305-99-122-4911	Screw M10 x 30	1
17	G1	5310-99-122-5297	Nut M10	1
18	G1	5310-99-135-9303	Washer lock M10	1
19	G1	5310-99-122-8067	Washer M10	1
20	7BD	2910-99-748-0396	Bracket assy	1

Item No.	DMC	NSN/Part No.	Designation	Qty per eqpt
21	7BD	7690-99-215-7592	Label	1
22	7BD	6150-99-300-6280	Harness	1
<u>8.2 Stores to be removed and reduced to salvage.</u>				
23	7BD	2910-99-721-4570	Fuel tank (original)	1
24	7BD	2910-99-978-1045	Fuel tank (interim)	1

Sequence of operations

9 Carry out this instruction as follows:

NOTE

The item numbers of Para 8 are used as reference throughout this instruction.

9.1 To change the original first generation fuel tank (recognised as having steel fuel pipes connected) to third generation:

- 9.1.1 Remove fuel tank (item 23) and fuel pipes, and discard.
- 9.1.2 Drill Ø 10.5 mm hole in chassis for fitting fuel tank stop as shown in Fig 1.
- 9.1.3 Fit new fuel tank (item 1) using fitting kit and adapter (item 15) in accordance with Fig 2 (soften nylon pipes (item 2) before fitting).
- 9.1.4 Secure nylon pipes (item 2) with suitable tie-wraps, route as per original pipes.
- 9.1.5 Ensure grommets are fitted where fuel pipes pass through chassis.
- 9.1.6 Fit suitable grommets in fuel tap handle bracket.
- 9.1.7 Fit 'on-off' label (item 21) to fuel tap bracket.
- 9.1.8 Fit fuel tank stop bracket (item 20) using screw, nut, lock washer and washer (items 16, 17, 18 and 19) ensuring that the bracket butts against the fuel tank.
- 9.1.9 Fit wiring harness (item 22) between sender unit and vehicle wiring loom.

9.2 The revised second generation fuel tank (recognised as having plastic fuel pipes connected and the tank sender unit on the rear face) to the third generation:

- 9.2.1 Remove fuel tank (item 24) and discard.
- 9.2.2 Fit fuel tank (item 1) and connect up to existing pipework.
- 9.2.3 Fit wiring harness (item 22) between sender unit and vehicle wiring loom.

TESTING AFTER EMBODIMENT

10 Nil.

EFFECT ON WEIGHT

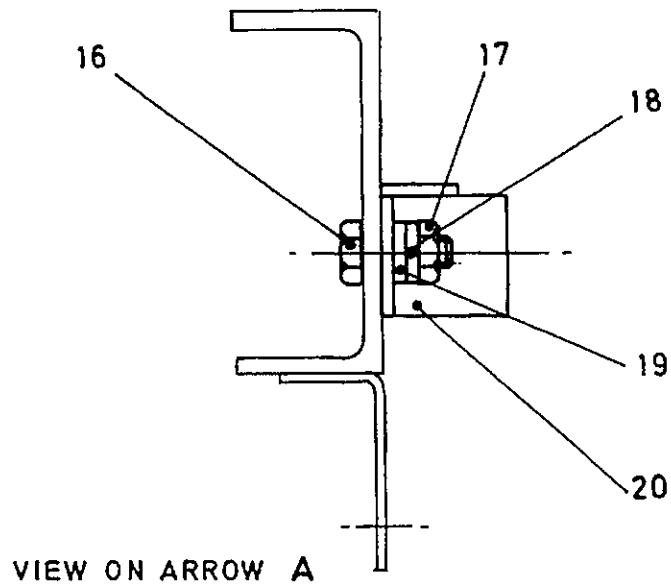
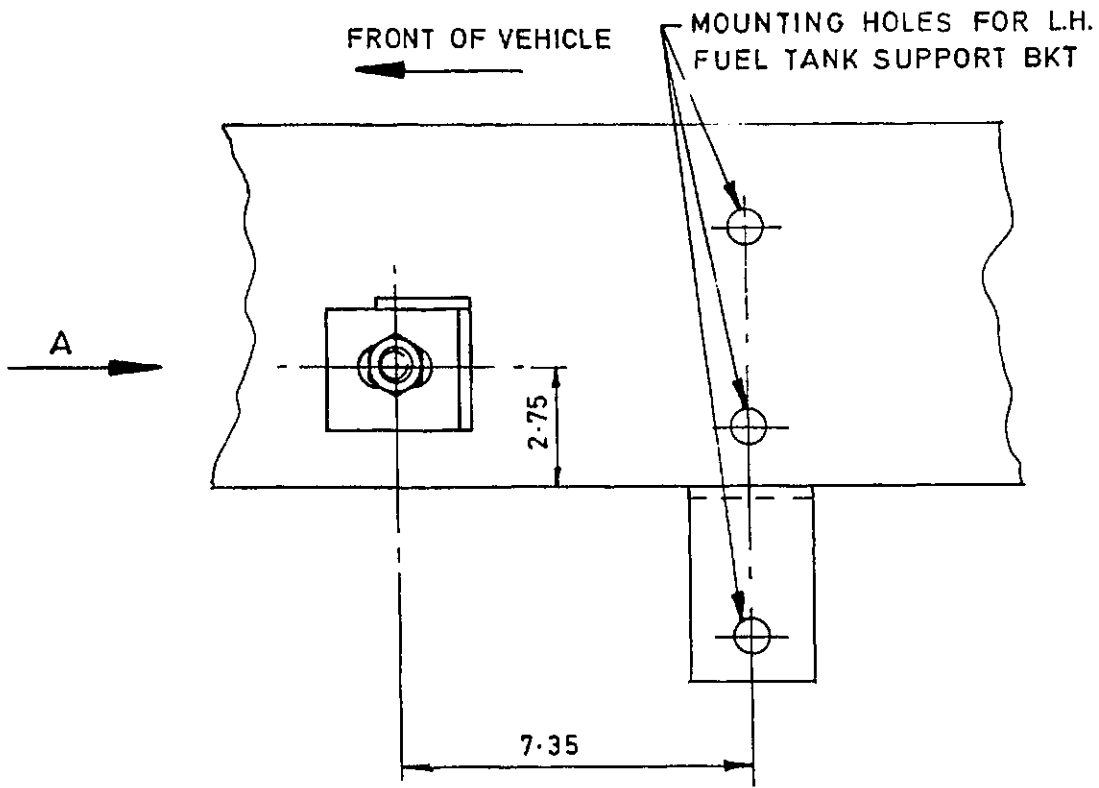
11 Negligible.

PUBLICATION AMENDMENTS

NOTE

Necessary amendments will be issued separately.

12 Nil.



V7712/1

Fig 1 Fuel tank stop

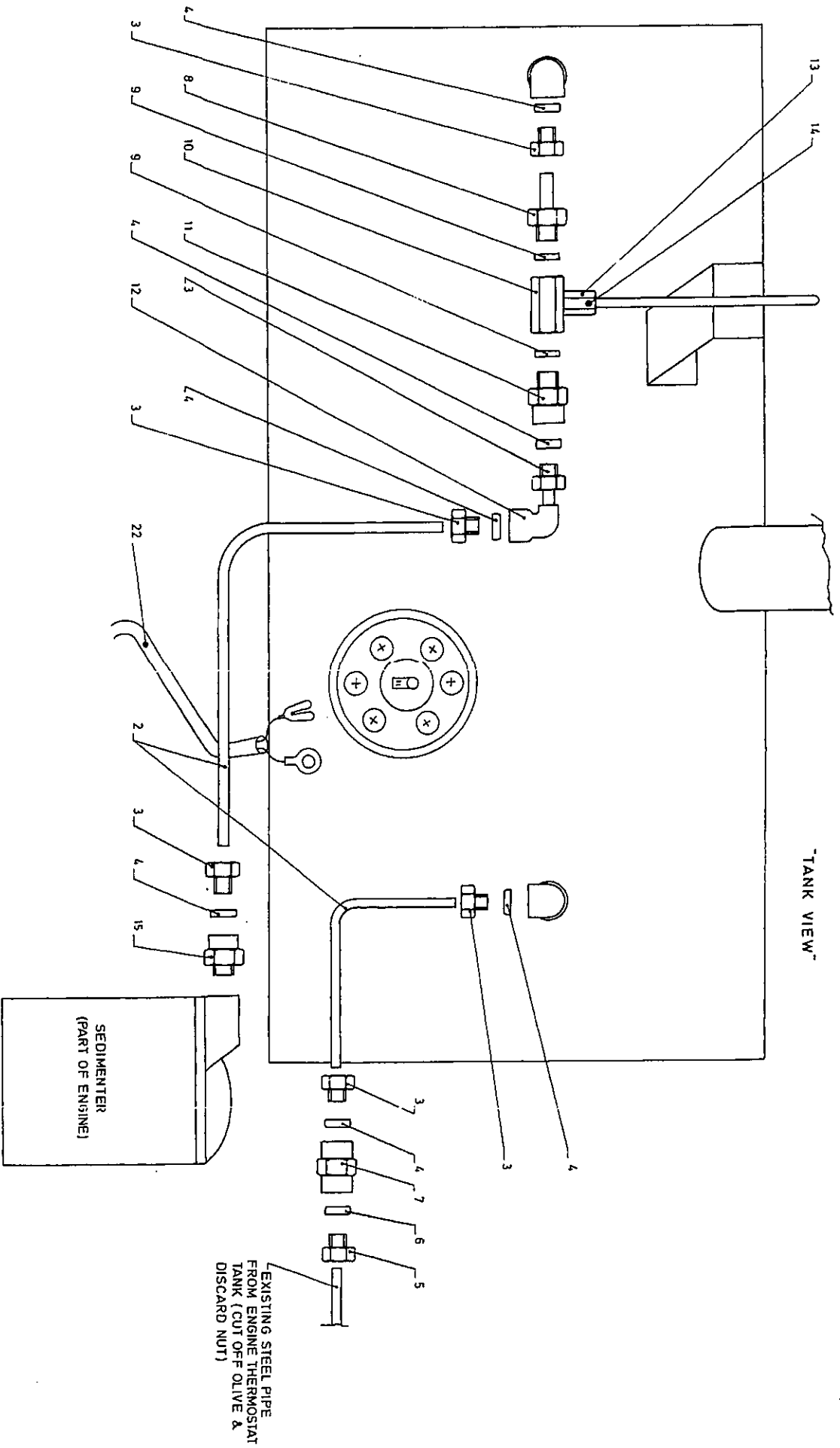


Fig 2 Layout of fuel tank filling kit

V8023/1

TRUCK 4 TONNE, 4 X 4, BEDFORD MJ (ALL VARIANTS)
MODIFICATION INSTRUCTION NO. 24

Sponsor:
ES 52c

Publication Agency:
ATSA Chertsey
Project No: 97/52c/4561(215)
File ref: 97/52c/4561/LVG

AMENDMENT RECORD

Amdt No.	Incorporated By (Signature)	Date
1		
2		
3		

Amdt No.	Incorporated By (Signature)	Date
4		
5		
6		

SUBJECT: Earth bonding point
(Task 725)

INTRODUCTION

1 This instruction details the manufacture and fitment of a specific earthing point for TTF vehicles enabling bulk fuel uplifts to be carried out at designated civilian establishments, at Duisberg and Hanover, in Germany.

1.1 Limitations on use of equipment. Nil.

WARNINGS AND CAUTIONS

2

2.1 All safety precautions, detailed in AESP 2320-A-100-522 and JSP 317, are to be adhered to at all times.

2.2 Care is to be taken during drilling operations to avoid contact with vehicle pipework and electrical wiring.

APPLICABILITY

3 Truck, 4 Tonne, Bedford MJ, fitted with UBRE equipments, held by user units required to uplift bulk fuel from Duisberg and Hanover.

REASON FOR MODIFICATION

4 Code 6 - to conform to changes in legislation.

ILLUSTRATIONS

5	Fig	Page
	1 Earth bonding post - dimensions.....	4
	2 Location of earth bonding post, rear of vehicle.....	5/6

PRIORITY

6

6.1 ARMY: Routine.

6.2 RAF: Class 3.

ESTIMATED TIME REQUIRED

7	<u>Task</u>	<u>Man-hours</u>	<u>Tradesman employed</u>
	Manufacturing	1	VM/MT Tech/MT Mech
	Embodiment	1.5	VM/MT Tech/MT Mech

IMPLEMENTATION PLAN

8

8.1 This instruction is to be implemented by units authorized to carry out levels 2, 3 and 4 maintenance.

8.2 Associated instructions: Nil.

8.3 Strike plate action: N/A.

Action required by:

9

9.1 Units and establishments holding equipment:

9.1.1 Examine equipment documents to see if instruction is applicable.

9.1.2 Examine equipment or record strike plate to see if instruction is embodied.

9.1.3 Record the AESP and instruction number in equipment documents.

9.2 Units authorized to carry out levels 2, 3 and 4 maintenance:

9.2.1 When requested by users or during repair/overhaul of equipment, obtain the items listed in Para 10 carry out this instruction.

9.2.2 Record completion details of instruction against appropriate entry in vehicle documents.

9.3 All recipients of this instruction. Add particulars to AESP 2320-H-100-811 instruction index.**Stores, tools and equipment**

10

10.1 Stores to be demanded.

10.1.1 The following items are to be demanded quoting this instruction as authority.

10.1.2 Registration/Serial number of vehicle for equipment held by user units.

Item No.	DMC	NSN/Part No.	Designation	Qty per eqpt
1	G2	9530-99-965-0243	Brass rod 10 mm dia.	130 mm
2	G1	5310-99-122-6119	Nut, 10 mm x 1.5 pitch	2
3	G1	5310-99-127-6119	Washer, lock, internal.	2

Sequence of operations

11 Carry out the modification as follows:

NOTE

The item numbers of Para 10 are used as references throughout this instruction.

11.1 Using the brass rod (item 1), manufacture the bonding post to the specifications listed in Fig 1.

11.2 Using the location diagrams (Fig 2 and 3), locate, mark and drill a 2 mm pilot hole in the desired side and position where the post is to be fitted.

11.3 Drill out the pilot hole to 10.2 mm and, using a wire brush and suitable scraper, remove the paint 5 mm around the hole.

11.4 Fit one of the nuts (item 2) to the bonding post, ensuring it is wound on the full length of the threaded portion, and fit one of the lock washers (item 3).

11.5 Fit the bonding post assembly into the prepared hole, from outside.

11.6 Fit the remaining lock washer and nut and tighten fully, taking care not to overtighten.

11.7 Restore the surface finish to any bare metal around the post after fitment.

TESTING AFTER EMBODIMENT

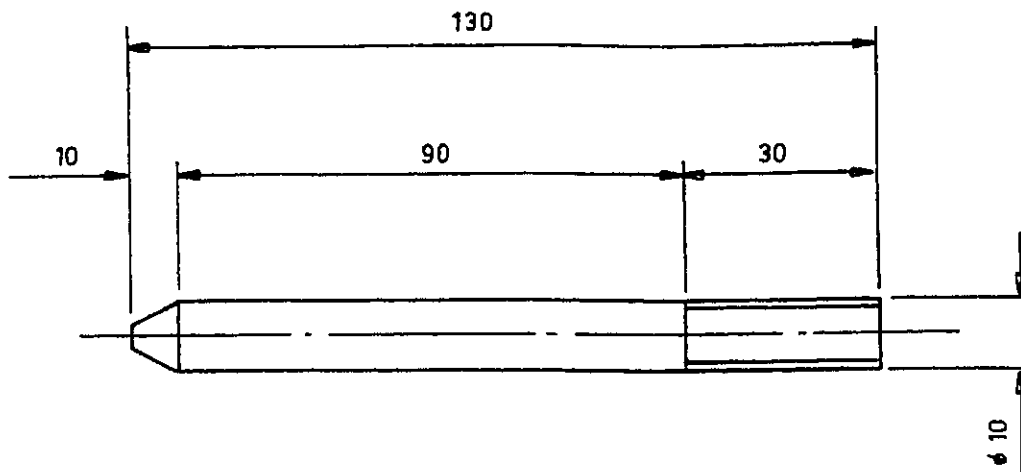
12 Carry out a bonding check in accordance with AESP 2320-A-100-522.

EFFECT ON WEIGHT

13 Negligible.

PUBLICATION AMENDMENTS

14 Nil.



MATERIAL. 10mm BRASS ROD
NSN G2 9530-99-965-0243
THREAD SIZE 10mm x 1.5p (Coarse)
DIMENSIONS IN Millimetres

Fig 1 Earth bonding post, dimensions

V13983/1

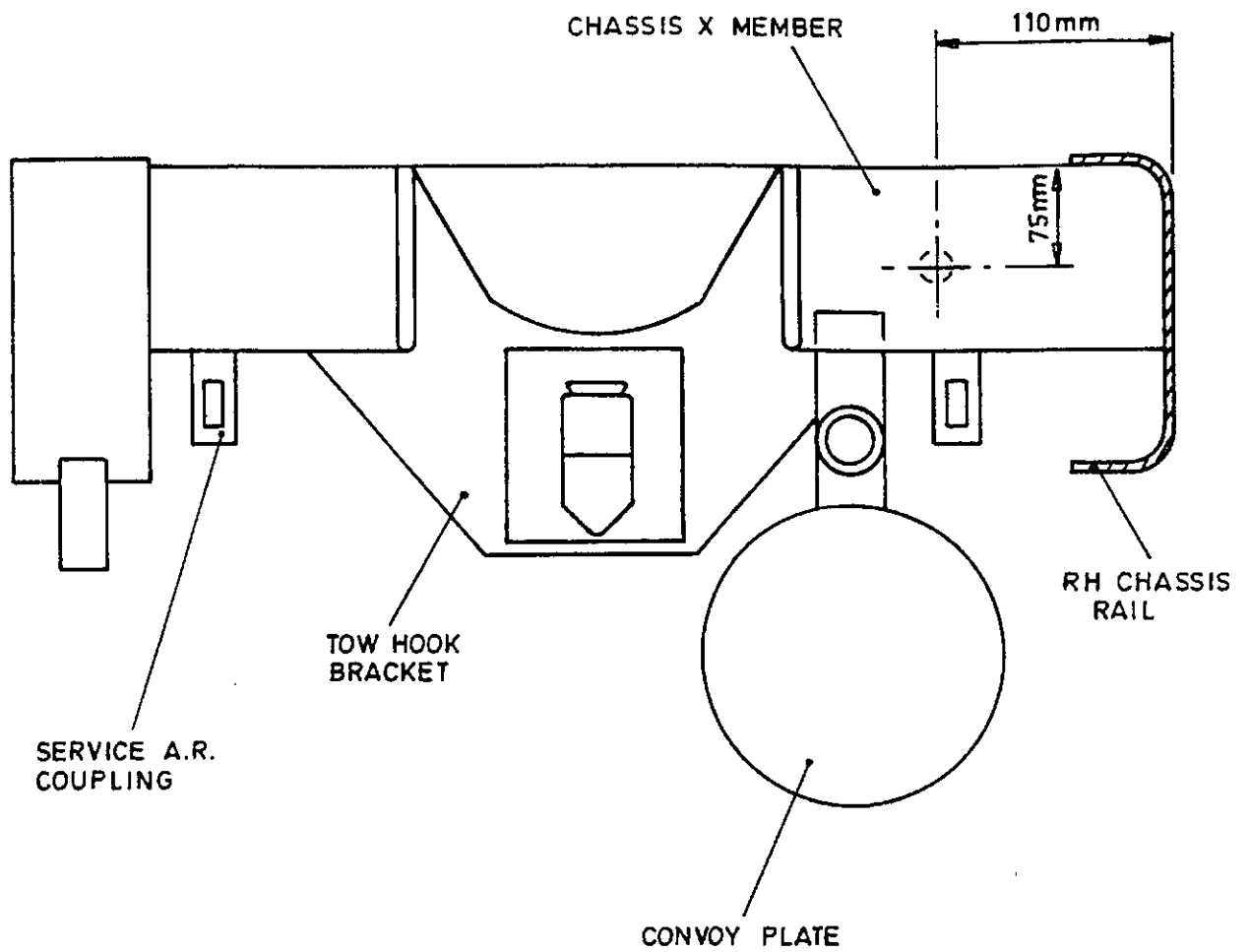


Fig 2 Location of earth bonding post, rear of vehicle

V13984/1

CONDITIONS OF RELEASE

- 1 This information is released by the UK Government for defence purposes only.
- 2 This information must be accorded the same degree of security protection as that accorded thereto by the UK Government.
- 3 This information may be disclosed only within the Defence Department of the recipient Government, except as otherwise authorized by the Ministry of Defence (Army).
- 4 This information may be subject to privately owned rights.

TRUCK, 4 TONNE, 4 X 4, BEDFORD MJ

(ALL VARIANTS)

MODIFICATION INSTRUCTION NO. 25

CANCELLATION

INTRODUCTION

- 1 This Amendment authorises the cancellation of AESP 2320-H-100-811 Modification Instruction No. 25. The supply of the original seat has been confirmed for the foreseeable future.

ACTION

- 2 Remove all pages of AESP 2320-H-100-811 Modification Instruction No. 25 and destroy them.
- 3 File this amendment in its place.

Amendment record

- 4 Record the incorporation of this Amendment.

TRUCK, 4 TONNE, 4 X 4 BEDFORD MJ (ALL VARIANTS)

MODIFICATION INSTRUCTION NO. 26

Sponsor:
DGES(A)

Publication Agency:
ATSA Chertsey
Project No: 98/52c/4916(512)
File ref: DE/CH/LVG/0736

AMENDMENT RECORD

Amdt No.	Incorporated By (Signature)	Date
1	[REDACTED]	16/8/99
2		
3		

Amdt No.	Incorporated By (Signature)	Date
4		
5		
6		

SUBJECT: Cab interior light
(Approval No. 12-7017)

INTRODUCTION

1 The original cab interior light is no longer available. A revised assembly has been identified, however, some minor application work will be required. When interior light replacement is required, this instruction provides all the necessary details.

1.1 Limitations on use of equipment. Nil.

APPLICABILITY

2 Truck, Cargo, 4 Tonne, 4 x 4 Bedford MJ (All Variants).

2.1 Fitted to subject vehicles held by user units.

REASON FOR MODIFICATION

3 Code 5 - to conform to changes in pattern of commercial stores.

PRIORITY

4

4.1 ARMY: Routine.

4.2 RAF: Class 3.

ESTIMATED TIME REQUIRED

5 Embodiment: 0.5 man-hours.

MODIFICATION IMPLEMENTATION PLAN

6 This modification is to be implemented on failure by:

- 6.1 ARMY: Units authorised to carry out levels 2, 3 and 4 maintenance.
- 6.2 RAF: Units at 2nd line.
- 6.3 Associated instructions. Nil.
- 6.4 Strike plate action: N/A.

Action required by

7

7.1 Units and establishments holding equipment:

- 7.1.1 Examine equipment documents to see if instruction is applicable.
- 7.1.2 Examine equipment or modification record plate to see if modification is embodied and where necessary Units with level 2 REME Tradesman demand the stores required.
- 7.1.3 ARMY — On receipt of stores, request REME to modify equipment.
- 7.1.4 ARMY - Record the AESP and instruction number in equipment documents.
- 7.1.5 RAF — Record modification details on AF G1084A and Form 4870. Units operating STAMA are also to record modification details on ADP MTMS Job Certification Sheet and to follow the procedures laid down in AP 100C-08A.

7.2 Army units authorized to carry out levels 2, 3 and 4 maintenance and RAF units:

- 7.2.1 ARMY - When requested by units or during overhaul of equipment on charge without REME Level 2 Support, obtain the items listed in Para 8 and carry out this modification.
- 7.2.2 Record completion details of modification against appropriate entry in vehicle documents.
- 7.2.3 Complete AF G1084A when reporting completion of the modification to FORWARD (RAF) using the following code:

RAF: MODIFICATION CODE: AFC 292

NOTE

RAF units operating STAMA are also to complete ADP MTMS Job Certification Sheet and to follow the procedures laid down in AP 100C-08A.

7.3 All recipients of this instruction. Add particulars to AESP 2320-H-100-811 Instr Index.

STORES, TOOLS AND EQUIPMENT

8

8.1 Stores to be demanded:

- 8.1.1 The following items are to be demanded quoting this instruction as the authority.

Item No.	DMC	NSN/Part No.	Designation	Qty per eqpt
1	7BD	6220-99-400-1423	Cab interior light assy.	1
2	X5	6240-99-661-0644	Lamp, filament (24V).	1

NOTE

The cab light assy is fitted with a 12 volt lamp. The lamp is to be replaced for 24 volt applications.

Sequence of operations

9 Carry out this instruction as follows:

Refer to Fig 1

9.1 Mark hole at dimensions specified.

9.2 Drill hole using 3 mm drill.

9.3 Fit light assembly.

TESTING AFTER EMBODIMENT

10 Switch lamp to the ON position and check for operation.

PUBLICATION AMENDMENTS

NOTE

Necessary amendments will be issued separately.

11 Nil.

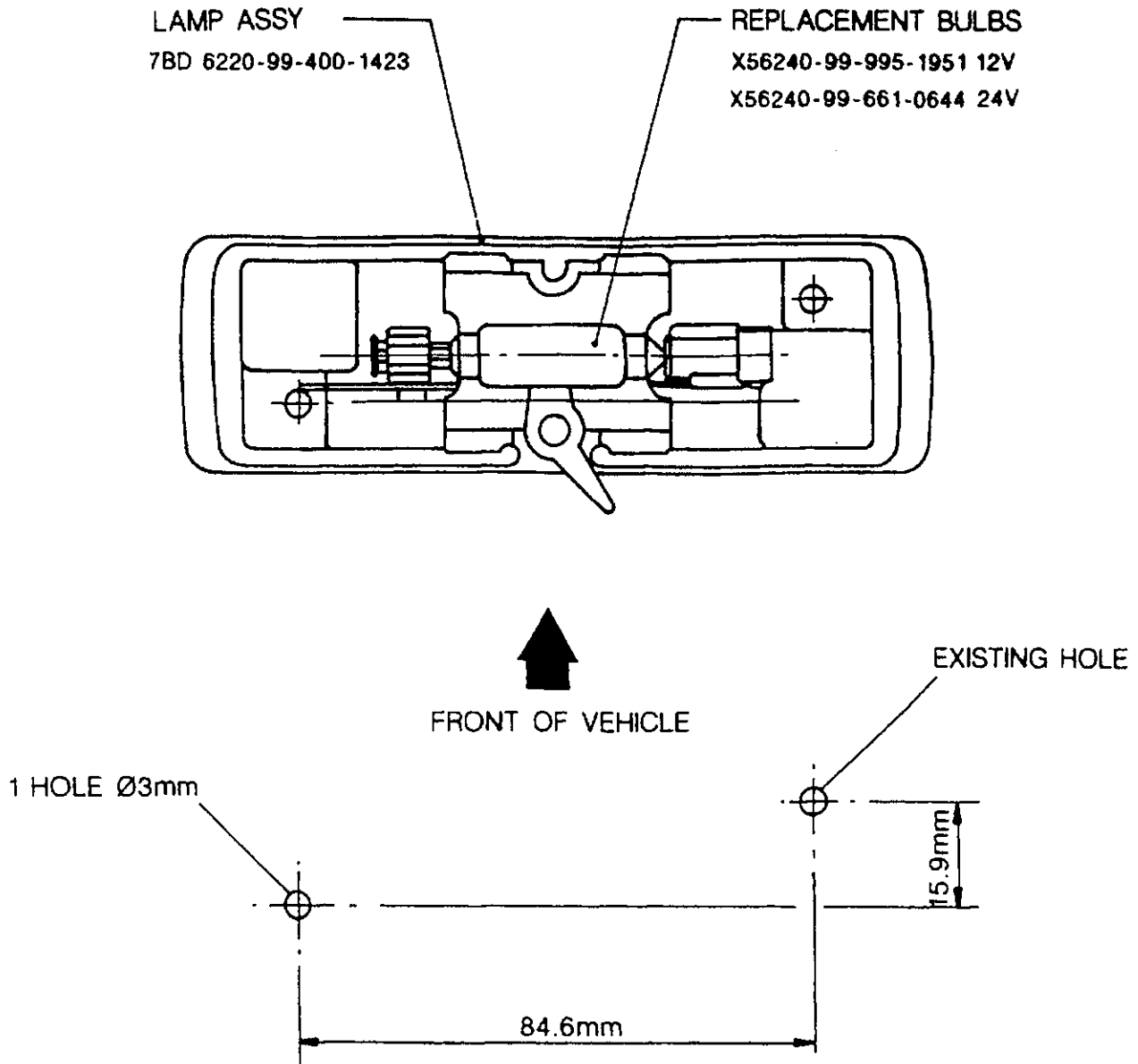


Fig 1 Details of cab interior light assembly hole location

V14231/1

**TRUCK 4 TONNE MJ (ALL VARIANTS)
MODIFICATION INSTRUCTION NO. 27
(completely revised)**

Sponsor:
GSV IPT

Publication Agency:
DLO Andover
Project No:97/52c/4903(581)
File ref:

AMENDMENT RECORD

Amdt No.	Incorporated By (Signature)	Date
1	INCORPORATED	Nov 11
2		
3		

Amdt No.	Incorporated By (Signature)	Date
4		
5		
6		

SUBJECT: Fire extinguisher fitting.

(Approval No. 97/52c/4903/LVG)

INTRODUCTION

1 This instruction introduces a 6 Kg dry powder fire extinguisher for fitment to vehicles over 3.5 tonnes gross vehicle weight (GVW) carrying hazardous goods.

1.1 Limitations on use of equipment. Nil.

WARNING

PERSONAL INJURY. THE SAFETY PRECAUTIONS AND WORK PRACTICES PUBLISHED IN AESP 2320-A-100-522 AND JSP 317 ARE TO BE FOLLOWED WHEN INCORPORATING THIS MODIFICATION.

APPLICABILITY

2 Truck, 4 Tonne, MJ, All Variants.

REASON FOR MODIFICATION

3 Code 6 - To conform to changes in legislation.

PRIORITY

4

4.1 ARMY: Routine.

4.2 RAF: Class 1.

ESTIMATED TIME REQUIRED

5 Embodiment: 2 man-hours.

MODIFICATION IMPLEMENTATION PLAN

6

- 6.1 This instruction is to be implemented by:
- 6.1.1 ARMY - Units authorized to carry out levels 2, 3 or 4 maintenance.
 - 6.1.2 RAF - Units not later than the next maintenance.
 - 6.1.3 Vehicle Depots before issue of vehicle.
- 6.2 Associated instructions. Nil.
- 6.3 Strike plate action: N/A.

Action required by

7

- 7.1 Units and establishments holding equipment:
- 7.1.1 Examine equipment documents to see if instruction is applicable.
 - 7.1.2 Examine equipment or modification record plate to see if modification is embodied and where necessary Units with level 2 REME Support demand the stores required.
 - 7.1.3 ARMY - On receipt of stores, request REME to modify equipment.
 - 7.1.4 ARMY - Record the AESP and instruction number in equipment documents.
- 7.2 Army units authorized to carry out levels 2, 3 and 4 maintenance and RAF units:
- 7.2.1 ARMY - When requested by units or during overhaul of equipment on charge without level 2 REME Support, obtain the items listed in Para 8 and carry out this modification.
 - 7.2.2 RAF - On receipt of stores, embody modification.
 - 7.2.3 Record completion details of modification against appropriate entry in vehicle documents.
 - 7.2.4 Complete AF G1084A/STAMA worksheet when reporting completion of the modification to FORWARD (RAF) using the following code:

RAF: MODIFICATION CODE: AFC 293

NOTE

RAF units operating STAMA are also to complete ADP MTMS Job Certification Sheet and to follow the procedures laid down in AP 100C-08A.

- 7.3 All recipients of this instruction. Add particulars to AESP 2320-H-100-811 Instr Index.

Stores, tools and equipment

8

8.1 Stores to be demanded:

8.1.1 The following items are to be demanded quoting this instruction as the authority.

Item No.	DMC	NSN/Part No.	Designation	Qty per eqpt
1		N/P	Mod set: comprising:	1
2		4210-99-591-4194	Extinguisher, fire, dry powder 6 Kg.	(1)
3		2540-99-075-9118	Firebox - 6 Kg top loading.	(1)
4		5340-99-573-2132	Adaptor plate.	(1)
5	G1	5306-99-122-5326	Bolt M8 x 30 mm.	(14)
6	G1	5310-99-549-9990	Nut M8 Nyloc.	(14)
7	G1	5310-99-122-8085	Washer flat 8 mm.	(28)
8		5340-99-219-5636	Reinforcing strips.	(2)
9		5340-99-853-3672	Support plates.	(2)

8.2 Stores to be returned through supply system:

8.2.1 Existing external fire extinguisher and bracket.

10	MT1	4210-99-998-3537	Fire extinguisher.	1
11	6MT1	4210-99-839-9904	Bracket.	1

Sequence of operations

9 Carry out this instruction as follows:

NOTE

The item numbers of Para 8 are used as reference throughout this instruction.

9.1 Remove existing external 2 kg fire extinguisher and bracket. Plug the drilled holes in the cab with the 2 kg fire extinguisher bracket bolts.

9.2 Identify on the right hand side of vehicle flat bed, the flat bed support member (running at 90 degrees to the chassis), forward of drop side bump stop.

9.3 On identified support member, measure in and mark a point 145 mm from the outside edge on the centre line. Using an 8.5 mm drill, drill hole.

9.4 Position support plate (item 9), so the pre drilled hole, 30 mm from the end is in line with hole drilled in Sub-Para 9.3. The support plate (item 9) should be positioned at 90 degrees to the flat bed support member and face toward the support member over the rear of the spare wheel.

9.5 Position the adaptor plate (item 4) so the narrow tapered end faces outwards from the chassis. With the flat four holed surface uppermost, align the left hand outer hole in the adaptor plate (item 4) with the hole drilled in Sub-Para 9.3. Secure using (items 5, 6 and 7) through the hole drilled in Sub-Para 9.3, the support plate (item 9) and the adaptor plate (item 4), ensuring the support plate is sandwiched between the support member and the adaptor plate.

9.6 Align corresponding left hand rear hole in the adaptor plate (item 9) with centre line of the support member, mark and using an 8.5 mm drill, drill hole.

9.7 Secure rear support plate (item 9) as in Sub-Para 9.5.

9.8 Align both right hand holes in adaptor plate (item 4) with pre drilled holes in both support plates (item 9) and secure using (items 5, 6, and 7).

9.9 Brace free end of both support plates (item 9) to support member, mark a point at the centre line of both support plates (item 9) and support member. Using an 8.5 mm drill, drill holes, and secure plate to member using (items 5, 6 and 7).

9.10 Remove the metal brackets from the firebox (item 3) then refit the two brackets which attach directly to the box using reinforcing strips (item 8) inside the box. Secure using (items 5, 6 and 7).

9.11 Using (item 4) as a template, align the holes at the narrow tapered end, with the holes in the container bracket closest to the lid. With an 8.5 mm drill, drill lower holes. Attach firebox (item 3) to adaptor plate (item 4) using (items 5, 6 and 7), install (item 2) and secure lid.

NOTE

Figs 1 to 3 are attached for reference, they are to be used when the adaptor plates/packing pieces are not available from the manufacturer.

TESTING AFTER EMBODIMENT

10 Nil.

EFFECT ON WEIGHT

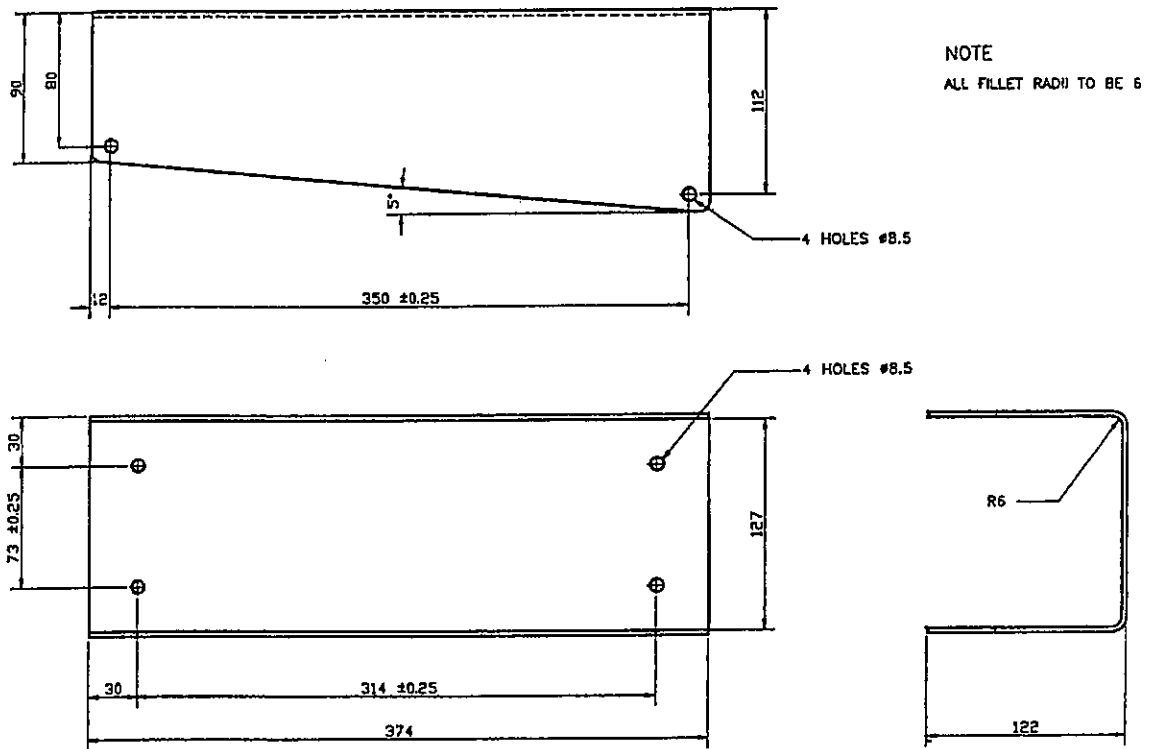
11 Negligible.

PUBLICATION AMENDMENTS

NOTE

Necessary amendments will be issued separately.

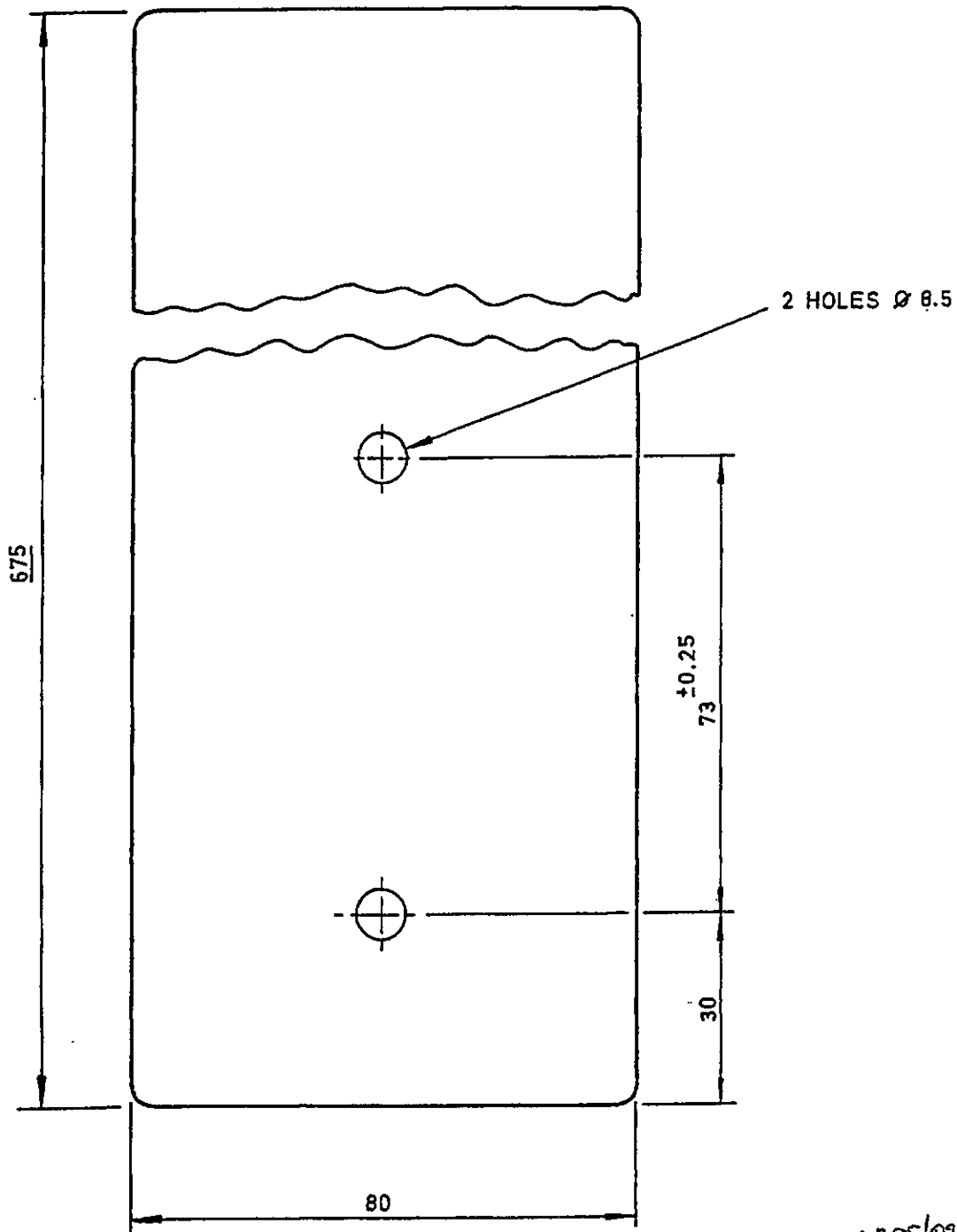
12 Nil.



V14255/01

Fig 1 Adaptor plate

V14255/01

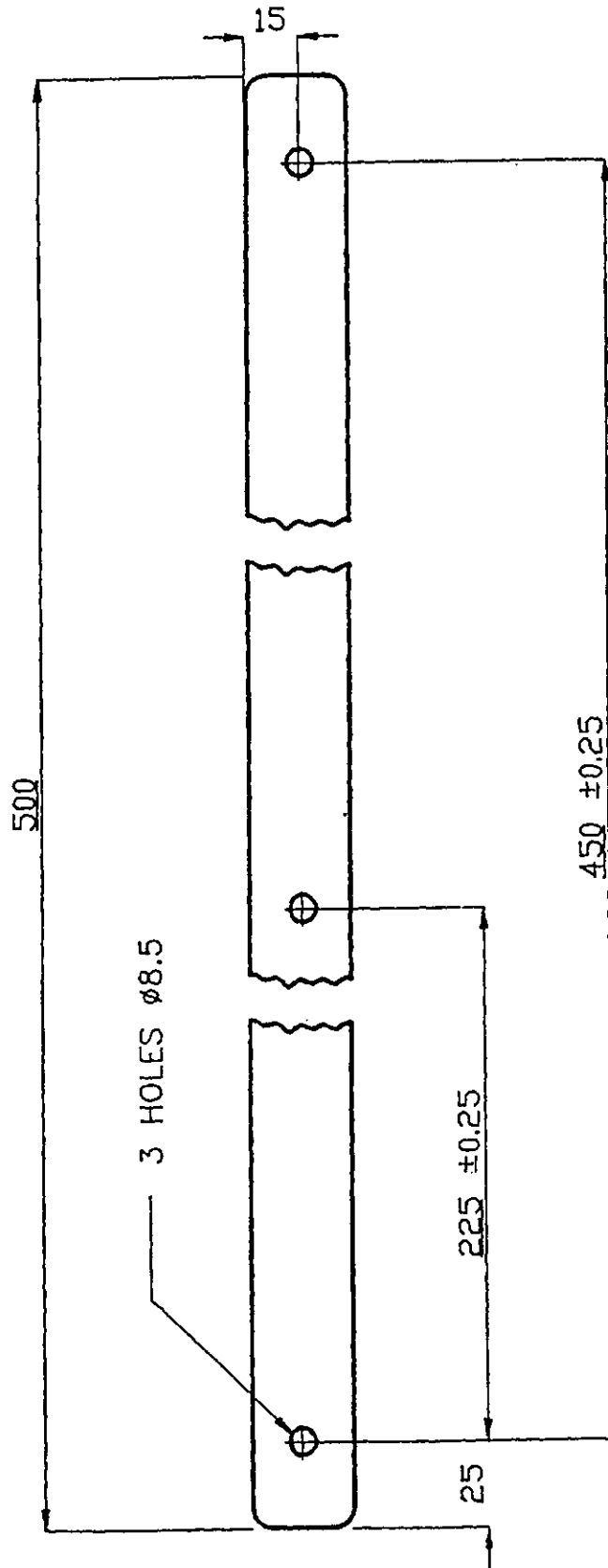


NOTE : ALL FILLET RADII TO BE 6

V14255/02

Fig 2 Support plate

V14255/02



NOTE
ALL FILLET RADII TO BE 6

V14153/05
V14153/05

Fig 3 Reinforcing strips

TRUCK 4 TONNE 4 X 4 BEDFORD MJ (ALL VARIANTS)

MODIFICATION INSTRUCTION NO. 28

Sponsor:
DGES(L)

Publication Agency:
DLO Chertsey
Project No: (01/CSV/5518)
File ref: D/DGES(L) CSV (Sp) IPT

AMENDMENT RECORD

Amdt No	Incorporated By (Signature)	Date
1		
2		
3		

Amdt No	Incorporated By (Signature)	Date
4		
5		
6		

SUBJECT: Provision of spare wheel winch warning label

(Approval No. MAE 12-7039)

INTRODUCTION

1 An accident has occurred whilst using the spare wheel winch assembly which has highlighted the requirement for a safety label as detailed in this instruction.

1.1 Limitations on use of equipment. Nil.

APPLICABILITY

2

2.1 Applicable to all Bedford 4T 2025-3100 vehicles held by user units.

2.2 Unmodified stock, held at all levels of technical storage.

REASON FOR MODIFICATION

3

3.1 Code 1 - to improve safety.

PRIORITY

4

4.1 ARMY: Immediate.

4.2 RAF: Class 1, 2, 3, S.O.O.

ESTIMATED TIME REQUIRED

5

5.1 Embodiment: 1 man hour.

MODIFICATION IMPLEMENTATION PLAN

6

6.1 This instruction is to be implemented by:

6.1.1 ARMY - Units authorised to carry out levels 2, 3 or 4 maintenance.

6.1.2 RAF - Units not later than the next 932 inspection.

Action required by

7

7.1 Units and establishments holding equipment:

7.1.1 Examine equipment documents to see if modification is applicable.

7.1.2 Examine equipment or modification record plate to see if modification is embodied and where necessary Units with 1st Line REME Support demand the stores required.

7.1.3 ARMY - On receipt of stores, request REME to modify equipment.

7.1.4 ARMY - Record the AESP and instruction number in equipment documents.

7.1.5 RAF - Record modification details on AF G1084A and Form 4870. Units operating STAMA are also to record modification details on ADP MTMS Job Certification Sheet and to follow the procedures laid down in AP 100C-08A.

7.2 Army units authorised to carry out levels 2, 3 and 4 maintenance and RAF units:

7.2.1 ARMY - When requested by units or during overhaul of equipment on charge without REME 1st Line Support, obtain the items listed in Para 8 and carry out this modification.

7.2.3 Record completion details of modification against appropriate entry in vehicle documents.

7.2.4 Complete AF G1084A when reporting completion of the modification to FORWARD (RAF) using the following code:

RAF: MODIFICATION CODE: AFC 302

NOTE

RAF units operating STAMA are also to complete ADP MTMS Job Certification Sheet and to follow the procedures laid down in AP 100C-08A.

7.3 All recipients of this instruction. Add particulars to AESP 2320-H-100-811 Instr Index.

Stores, tools and equipment

8

8.1 Stores to be demanded:

8.1.1 The following item is to be demanded quoting this instruction as the authority.

8.1.2 Registration/Serial number of vehicle for equipment held by user units.

Item No.	DMC	NSN/Part No.	Designation	Qty per eqpt
1	6MTI	7690-99-351-3988	Label instruction, spare wheel	1

8.2 Stores or suitable equivalent to be obtained locally:

2		White spirit	AR
---	--	--------------	----

Sequence of operations

9 Carry out this instruction as follows:

9.1 Using white spirit or similar, clean a rectangle approximately 10cm square on the chassis member above the spare wheel adjacent to the spare wheel winch assembly.

9.2 Peel the backing from the label Fig 1 and apply the label to the chassis member.

TESTING AFTER EMBODIMENT

10 Nil.

EFFECT ON WEIGHT

11 Negligible.

PUBLICATION AMENDMENTS

NOTE

Necessary amendments will be issued separately.

12 Nil.

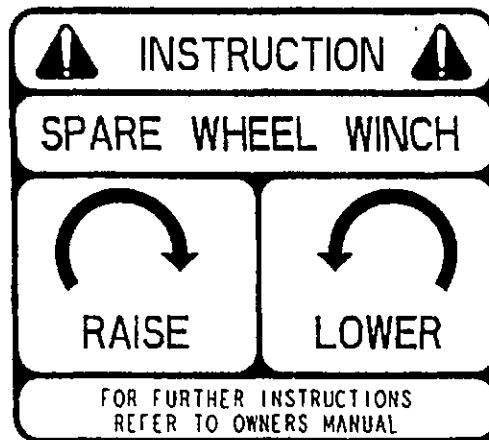


Fig 1 Instruction label

TRUCK 4 TONNE 4 X 4 BEDFORD MJ (ALL VARIANTS)

MODIFICATION INSTRUCTION No. 29

Sponsor: GSV IPT
Project No.: AU 49
File Ref: PDS GSV2/005

Publication Authority: TES TI Andover

AMENDMENT RECORD

Amdt No.	Incorporated By (Signature)	Date
1		
2		
3		

Amdt No.	Incorporated By (Signature)	Date
4		
5		
6		

SUBJECT: Fitting an enhanced Air Filtration System (Overhead Vortex Air Cleaner Unit)
(Approval No. GSV/04/054)

INTRODUCTION

1 An improved level of air filtration is required for the BEDFORD 4 tonne vehicle when operating in medium to heavy dust/sand conditions.

1.1 Limitations on use of equipment. Nil.

APPLICABILITY

2 All Bedford MJ 4 tonne 4 x 4 trucks that are about to deploy/or are deployed in environments with medium to heavy dust/sand conditions. This modification can only be embodied on vehicles which have the latest level of air cleaner assembly (NSN 2945-99-480-8035) fitted as directed by General Instruction No. 23.

REASON FOR INTRODUCTION

3 Code 2 - to improve operational reliability and performance.

PRIORITY

4

4.1 ARMY: Routine.

4.2 RAF: N/A.

ESTIMATED TIME REQUIRED

5

5.1 Dismantling N/A

5.2 Embodiment 2.5 hrs

5.3 Testing 0.5 hrs

MODIFICATION IMPLEMENTATION PLAN

6

- 6.1 This instruction is to be implemented by:
- 6.1.1 ARMY - Units authorized to carry out levels 2, 3 or 4 maintenance.
- 6.2 Associated instructions. Nil.
- 6.3 Strike plate action: N/A.

Action required by

7

- 7.1 Units and establishments holding equipment.
- 7.1.1 Examine equipment documents to see if modification is applicable.
 - 7.1.2 Examine equipment or modification record plate to see if modification is embodied and where necessary Units with 1st Line REME Support demand the stores required.
 - 7.1.3 ARMY - On receipt of stores, request REME to modify equipment.
 - 7.1.4 ARMY - Record the AESP and instruction number in equipment documents.
 - 7.1.5 RAF - Record modification details on AF G1084A and Form 4870. Units operating STAMA are also to record modification details on ADP MTMS Job Certification Sheet and to follow the procedures laid down in AP 100C-08A.
- 7.2 Army units authorized to carry out levels 2, 3 and 4 maintenance and RAF units.
- 7.2.1 ARMY - When requested by units or during overhaul of equipment on charge without REME 1st Line Support, obtain the items listed in Para 8 and carry out this modification.
 - 7.2.2 N/A.
 - 7.2.3 Record completion details of modification against appropriate entry in vehicle documents.
 - 7.2.4 Complete AF G1084A when reporting completion of the modification to FORWARD (RAF) using the following code:

RAF: MODIFICATION CODE: AFC 312

NOTE

RAF units operating STAMA are also to complete ADP MTMS Job Certification Sheet and to follow the procedures laid down in AP 100C-08A.

- 7.3 All recipients of this instruction. Add particulars to AESP 2320-H-100-811 Mod Instr Index.

8

8.1 Stores to be demanded.

8.1.1 The following items are to be demanded quoting this instruction as the authority.

Item No.	DMC	NSN/Part No.	Designation	Qty per eqpt
	7BD	2940-99-958-1378	Kit – Air Cleaner Intake	1
1		A6000163	Intake Stack Pipe	(1)
2		A6000162	Vortex Pre-Cleaner	(1)
3		A6000164	Inlet Stack Mounting Bracket	(2)
4		A6000165	Inlet Stack Support Bracket	(1)
5		A6000166	Flexible Air Intake Hose	(1)
6		A6000167	M8 Bolt	(8)
7		A6000173	M8 Nut	(8)
8		A6000168	M8 Plain Washer	(8)
9		A6000169	M8 Spring Washer	(8)
10		A6000170	'T' Bolt Clamp	(2)
11	7BD	2940-99-477-1661	Element Assembly	(1)

Sequence of operations

NOTE

The item numbers of Para 8 are used as reference throughout this instruction.

9 Carry out this instruction as follows:

9.1 Undo securing nut, remove end of cylinder and withdraw air filter element.

9.2 Fit washer (metal side first) then fit additional emergency element assembly (Item 11) and secure with wing nut.

9.3 Replace existing air filter, cylinder end and secure with the nut

9.4 Offer support bracket Item 4 to required position (longest leg up) on rear of cab, ensuring that the brackets straddle the seam of the cab body and are vertically positioned under the lip of the cab roof to allow clearance for the vortex unit.

9.5 Spot through 4 holes, remove support bracket and drill clearance holes for M8 bolts. Secure support bracket to cab using 4 – M8 bolts, nuts, washers and spring washers, Items 6, 7, 8 & 9.

9.6 Secure both mounting brackets Items 3 to support bracket Item 4 with 4 – M8 bolts, nuts and spring washers, Items 6, 7, 8 & 9.

9.7 Assemble stack pipe Item 1 to both mounting brackets, secure flexible hose Item 5 to stack pipe with a 'T' clamp Item 10 and tighten.

9.8 Tighten both 6m/m clamping bolts on mounting brackets Items 3 around the stack pipe, Item 1.

9.9 Attach flexible air intake hose Item 5 to air intake aperture in cylinder and secure with a 'T' clamp Item 10 and tighten.

9.10 Secure vortex unit Item 2 to top of stack pipe Item 1 using existing clip, ensuring that the air scoop vent faces rear of the vehicle, and is clear of the cab roof gutter.

TESTING AFTER EMBODIMENT

10 Run engine and check for leaks.

EFFECT ON WEIGHT

11 Negligible.

PUBLICATION AMENDMENTS

NOTE

Necessary amendments will be issued separately.

12 Nil.

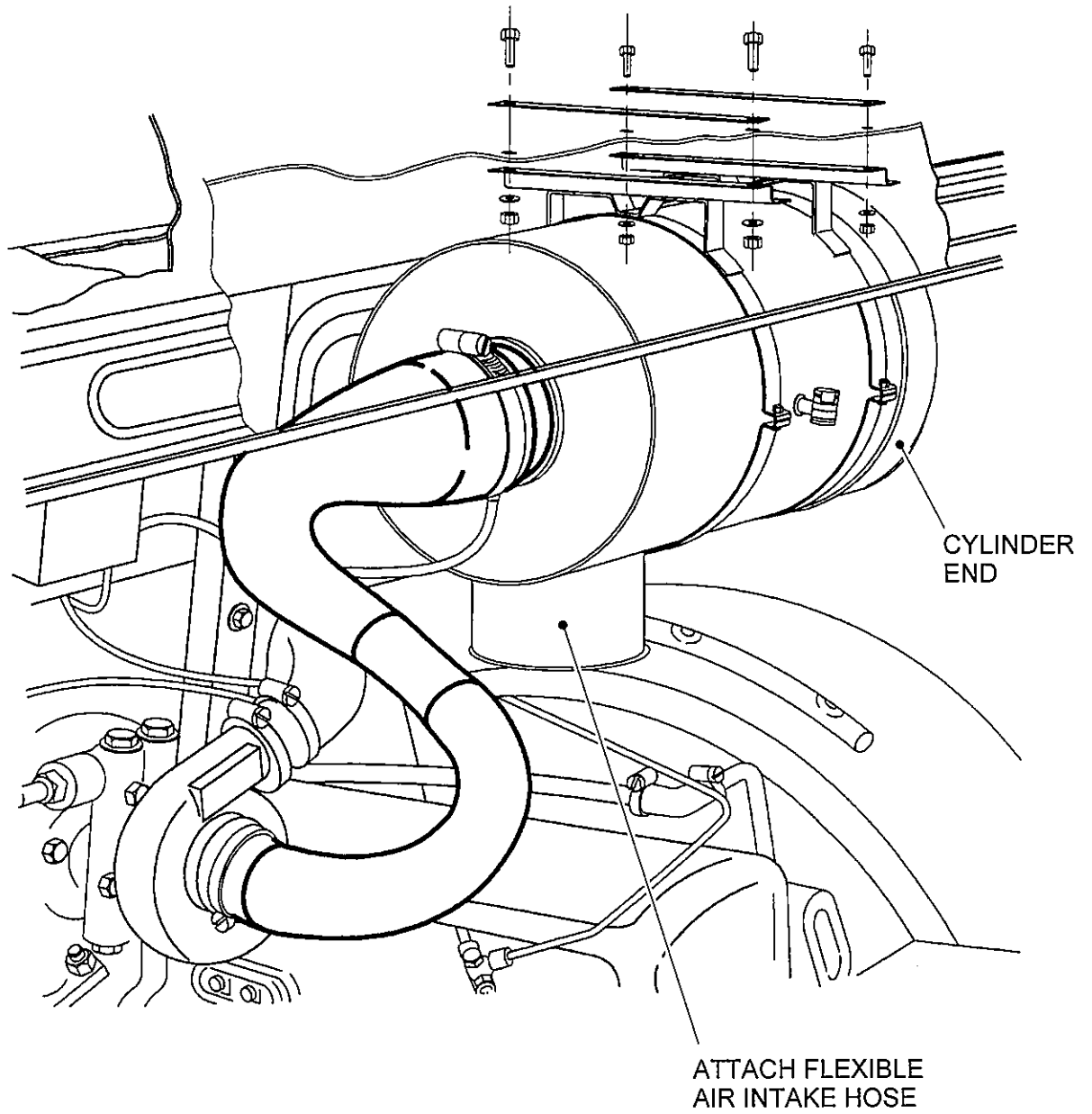


Fig 1 Air Cleaner Assembly (NSN 2945-99-480-8035)

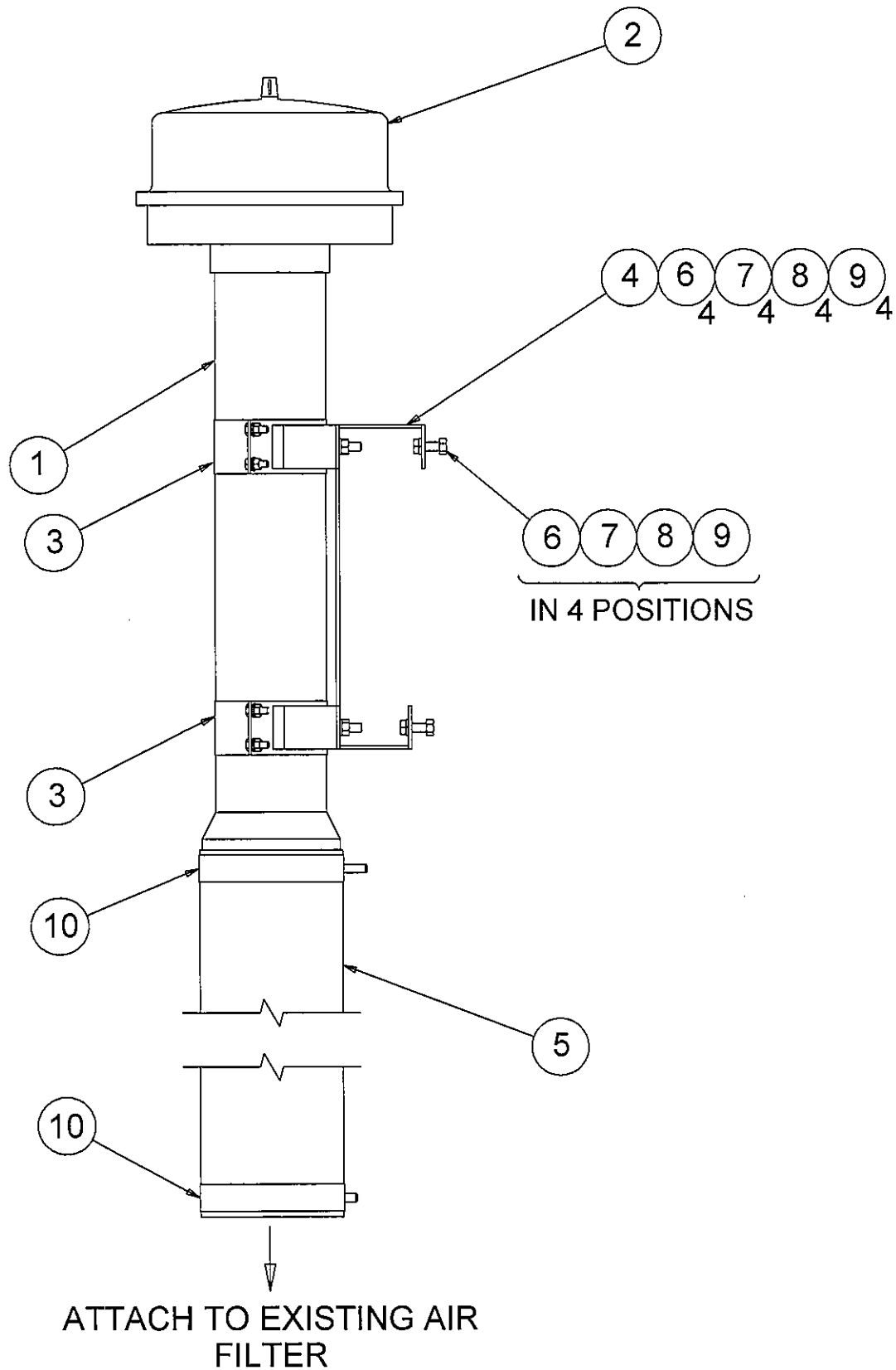


Fig 2 Overhead Vortex Air Cleaner Unit

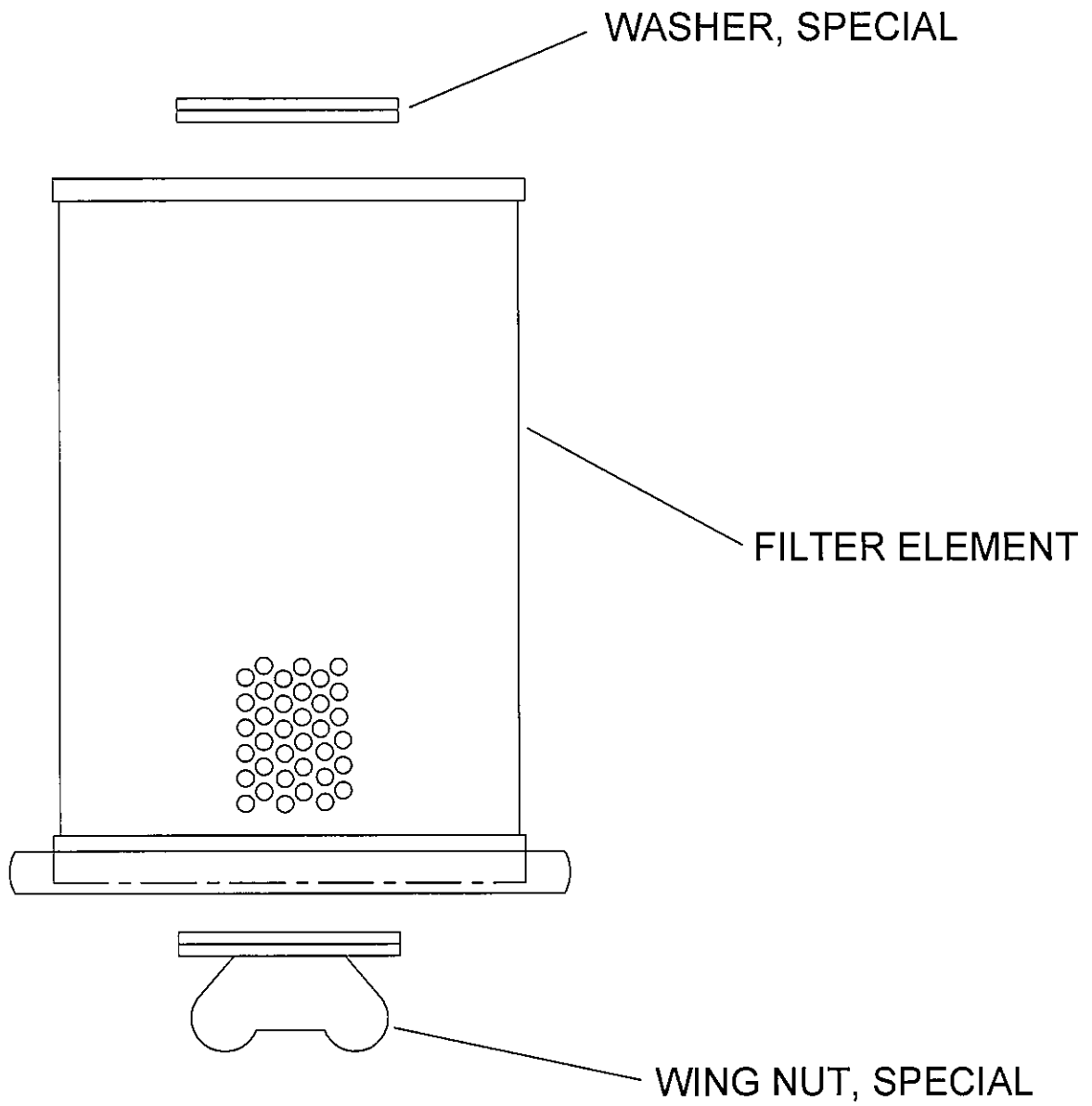


Fig 3 New Element Assembly

TRUCK 4 TONNE 4 X 4, BEDFORD MJ (ALL VARIANTS)

MODIFICATION INSTRUCTION No. 30

Sponsor: GSV IPT
Project No.: Task 051
File Ref: PDS 1A/504

Publication Authority: TES TIG Andover

AMENDMENT RECORD

Amdt No.	Incorporated By (Signature)	Date
1		
2		
3		

Amdt No.	Incorporated By (Signature)	Date
4		
5		
6		

SUBJECT: Palm couplings replacement (Approval No. GSV/04/082)

INTRODUCTION

1 Construction & Use Regulation Number 15 dated 1989 states that Heavy Goods Vehicles drawing trailers first used from 01st April 1989 are not to be fitted with a manual shut off tap on the trailer brake air-line circuit. This instruction details the changes necessary to replace these items with new self-sealing type palm couplings.

1.1 Limitations on use of equipment. Nil.

APPLICABILITY

2

2.1 Applicable to all Bedford 4 tonne 4 x 4 series vehicles held by user units, first brought into service after 01st April 89.

2.2 Bedford 4 Tonne 4 x 4 variants first brought into service before April 89, will continue to operate with manual shut off taps.

REASON FOR MODIFICATION

3

3.1 Code 1 - to improve safety.

PRIORITY

4

4.1 ARMY: Immediate.

4.2 RAF: AFC 315.

ESTIMATED TIME REQUIRED

5

5.2 Embodiment: 2 man hours.

5.4 Testing: 0.5 man hour.

MODIFICATION IMPLEMENTATION PLAN

6

6.1 This instruction is to be implemented by:

6.1.1 ARMY – Units authorised to carry out levels 2, 3 and 4 maintenance.

6.1.2 RAF – Units when found necessary.

Action required by

7

7.1 Units and establishments holding equipment:

7.1.1 Examine equipment documents to see if modification is applicable.

7.1.2 Examine equipment or modification record plate to see if modification is embodied and where necessary Units with 1st Line REME Support demand the stores required.

7.1.3 ARMY – On receipt of stores, request ATSE DE to modify equipment.

7.1.4 ARMY – Record the AESP and instruction in equipment documents.

7.1.5 RAF – Record modification details on AFG1084A and form 4870. Units operating STAMA are also to record modification details on ADP MTMS Job Certification Sheet to follow the procedures laid down in AP 100C-08A.

7.2 Army units authorised to carry out levels 2, 3 and 4 maintenance and RAF units:

7.2.1 ARMY - When requested by users or during overhaul of equipment on charge without REME 1st Line Support, obtain the items listed in Para 8 and carry out this modification.

7.2.2 Record completion details of modification against appropriate entry in vehicle documents.

7.2.3 Complete AFG1084A when reporting completion of the modification to FORWARD (RAF) using the following code:

RAF: MODIFICATION CODE AFC TBA

NOTE

RAF units operating STAMA are also to complete ADP MTMS Job Certification Sheet and to follow the procedures laid down in AP 100C-08A.

7.3 All recipients of this instruction. Add particulars to AESP 2320-H-100-811 Mod Instr Index.

Stores, tools and equipment

8

8.1 Stores to be demanded.

8.1.1 The following items and modification set is to be demanded quoting this instruction as the authority.

8.1.2 Registration number of vehicle for equipment held by user units.

8.1.3 Item 14 to be discarded.

Item No.	DMC	NSN/Part No.	Designation	Qty per eqpt
	7BD	2530-99-551-4855	Palm coupling conversion kit self sealing, comprising	1
1	7BD	2530-99-867-8596	Adapter, Air Compressor Vehicular brake	(1)
2	7BD	2530-99-555-0517	Adapter, Air Compressor Vehicular brake	(1)
3		A6000079	Female/Female adaptor ½ in. BSP/M22	(2)
4		A6000080	Straight stud connector (compression fitting) ¾ in. nylon tube / ½ BSP	(1)
5		A6000206	Tube support ¾ in. nylon tube	(1)
6		A6000207	Straight stud connector (WIRA) M16/12 mm tube	(2)
7		A6000083	Straight stud connector (WIRA) M22/12 mm tube	(2)
8		A6000084	Straight stud connector (compression fitting) ½ in. nylon tube / ½ in. BSP	(1)
9		A6000085	Tube support ½ in. nylon tube	(1)
10		A6000087	Nylon tube black dia. 12 mm x 1.50 mm wall	3m long
11		A6000088	Washer plain Aluminium grade 2011	(2)
12		-	Spiro Wrap Tape	A/R
13	7BD	5310-99-383-4691	Washer Stepped	(2)
14		A6000089	Elbow stud connector (compression fitting) ½ in. nylon tube / ½ in. BSP	(2)

Sequence of operations**NOTE**

The item numbers of Para 8 are used as reference throughout this instruction.

9 Carry out this instructions as follows:

WARNING**PERSONNEL HAZARD. ENSURE THAT THE AIR SYSTEM IS EXHAUSTED BEFORE COMMENCING.**

9.1 Locate both Emergency supply (Red) and Control (Yellow) pipes (See Fig 2). Cut both flexible nylon pipes $\frac{3}{8}$ in. dia. Emergency supply (Red) and $\frac{1}{2}$ in. dia. Control (Yellow) and stagger by 100 mm (50mm each way) the cuts.

9.2 Remove manual valve, bulkhead adaptor, and palm couplings from respective mounting brackets and discard. Release clip on crossmember (Emergency supply) where fitted. (See Figs 3a and 3b).

9.3 Fit a straight adaptor to both lines and fit 100mm length of Spiro Wrap to any pipes in vicinity, to protect from chaffing.

9.4 Make up and fit replacement self-sealing palm couplings, bulkhead adaptor combination to the mounting bracket. Emergency (Red) outlet and 12mm dia. pipe to the right-hand side and the Service (Yellow) outlet and 12 mm dia. pipe to the left-hand side when viewed from the rear. An M23 plain washer should be fitted on the inside of the adaptor and a shouldered washer on the outside, to compensate for the oversize hole in the bulkhead and to ensure no lateral movement of the pipe. (See Fig 4).

9.5 Connect each supply line back to the newly fitted straight adaptors.

TESTING AFTER EMBODIMENT

10 Run the engine, and charge the system, then check for leaks and rectify as needed.

EFFECT ON WEIGHT

11 Negligible.

PUBLICATION AMENDMENTS**NOTE**

Necessary amendments will be issued separately.

12 Nil.

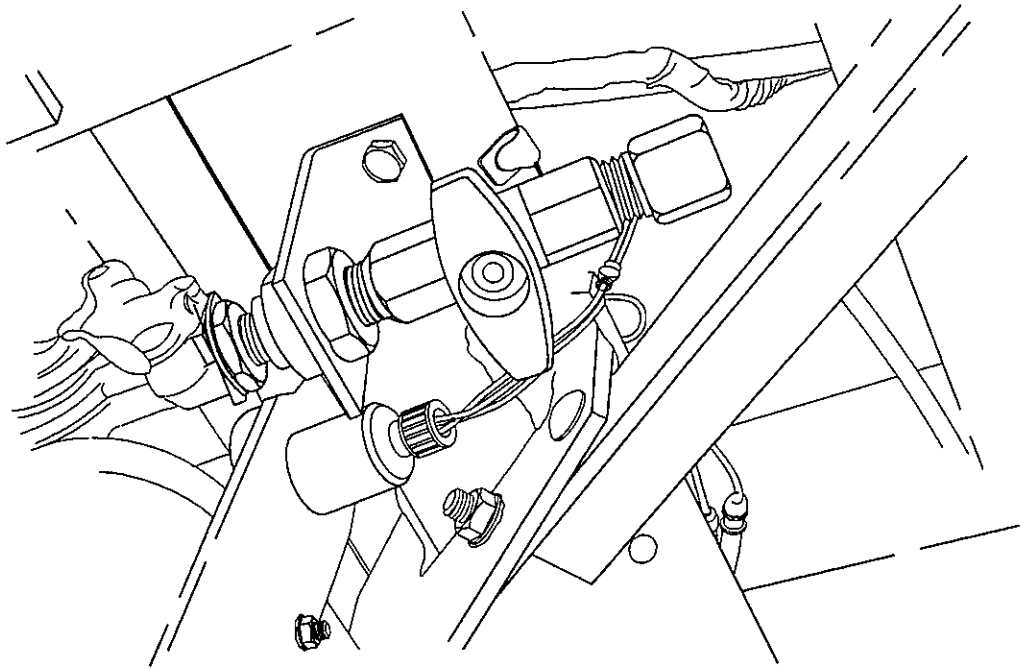


Fig 1 Typical installation of palm coupling, valve
and mounting bracket

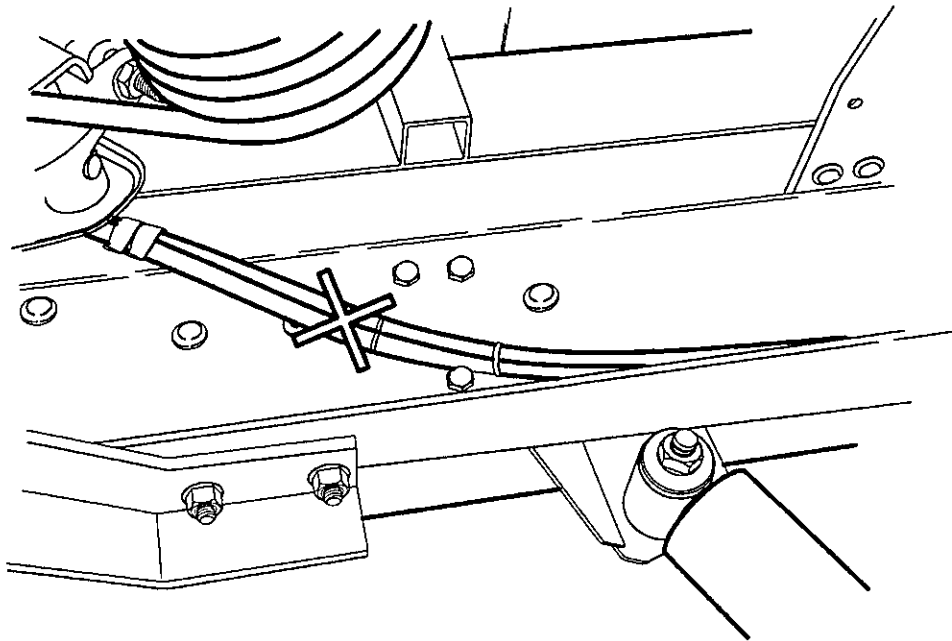


Fig 2 Recommended cutting point for existing pipe
(stagger each way 50 mm)
(Viewed from inside of left hand side member)

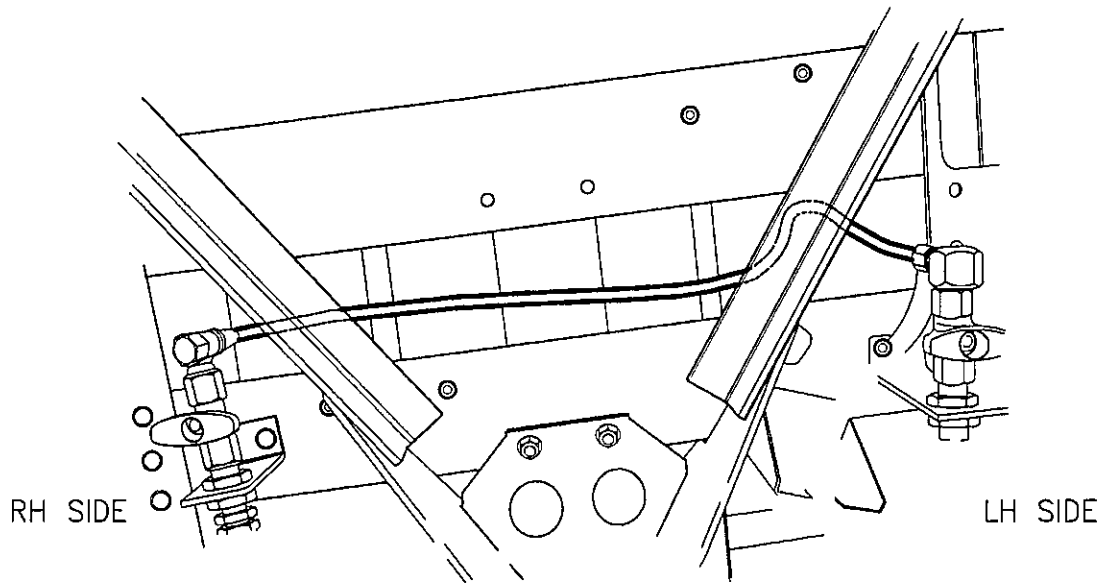


Fig 3a Transverse pipe run (un-clipped)
(Viewed from underside of rear crossmember)

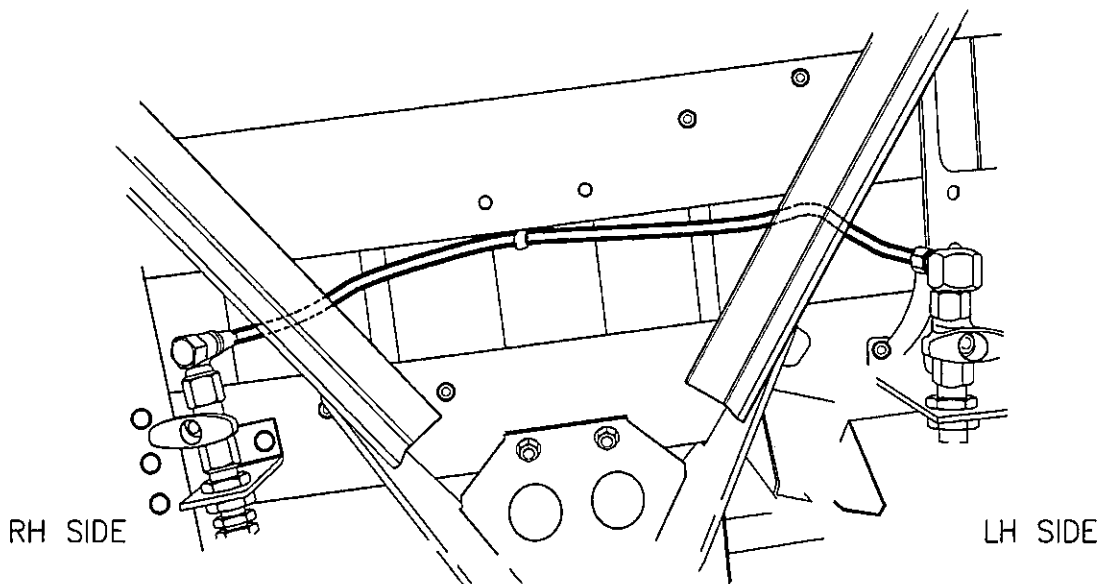


Fig 3b Transverse pipe run (clipped)
(Viewed from underside of rear crossmember)

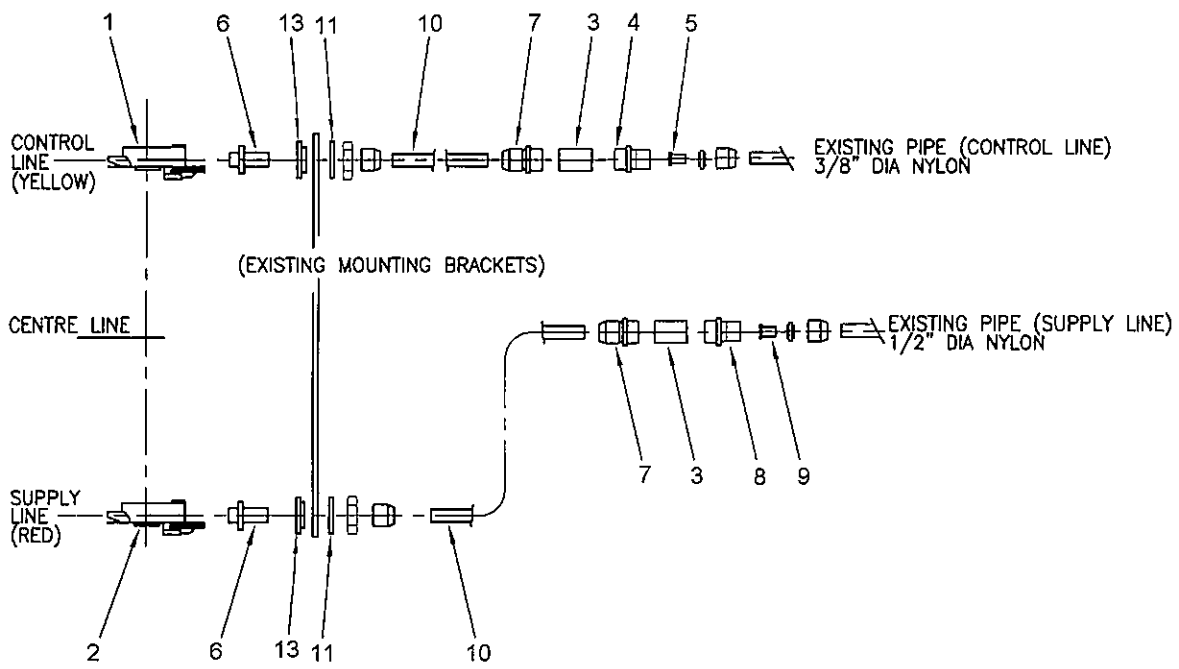


Fig 4 New installation for 4 tonne Bedford

TRUCK 4 TONNE 4 X 4 BEDFORD MJ (ALL VARIANTS)

MODIFICATION INSTRUCTION No. 31

Sponsor: GSV IPT
Project No.: Task UEL 041
File Ref: PDS1A/504

Publication Authority: DGS&E TIG Andover

AMENDMENT RECORD

Amdt No.	Incorporated By (Signature)	Date
1		
2		
3		

Amdt No.	Incorporated By (Signature)	Date
4		
5		
6		

SUBJECT: Tool box replacement

(Approval No. GSV/04/087)

INTRODUCTION

1 In order to comply with new ADR legislations, heavy goods vehicles carrying ADR loads are now required to carry 2 x 6 Kg fire extinguishers, and embody external wheel chock storage. This instruction details the replacement fit of a rear tool bin, with one encompassing an additional fire extinguisher fit. It will need to be carried out in addition to the wheel chock mounting instruction to ensure compliance. These modifications will be carried out on selected vehicles only, in line with fleet management policy.

1.1 Limitations on use of equipment. Nil.

APPLICABILITY

2

2.1 Applicable to all Bedford 4 tonne 4 X 4 series vehicles except those that follow:

- 1310-3100 Recce Veh Whd Light 4T
- 1311-3100 Recce Veh Whd Light 4T (Winter)
- 2091-3105 Truck Flat Platform 4T Ptarmigan
- 2091-3106 Truck Flat Platform 4T Ptarmigan
- 2091-8105 Truck Flat Platform 4T Ptarmigan
- 2091-8106 Truck Flat Platform 4T Ptarmigan
- 2091-8107 Truck Flat Platform 4T Ptarmigan PV
- 2091-8108 Truck Flat Platform 4T Ptarmigan PV
- 2092-3103 Truck Flat Platform 4T (Winterised) Ptarmigan
- 2092-3103 Truck Flat Platform 4T (Winterised) Ptarmigan PV

2.2 Unmodified stock, held at all levels of technical storage.

REASON FOR MODIFICATION/INTRODUCTION

3

3.1 Code 1 - to improve safety.

PRIORITY

4

4.1 ARMY: Immediate.

4.2 RAF: Immediate.

ESTIMATED TIME REQUIRED

5

5.1 Dismantling: 1 man-hour.

5.2 Embodiment: 2 man-hours.

5.3 Assembling: 1 man-hour.

5.4 Testing: Nil man-hours.

5.5 Manufacturing: Nil man-hours.

MODIFICATION IMPLEMENTATION PLAN

6

6.1 This instruction is to be implemented by:

6.1.1 ARMY – Units authorized to carry out levels 2, 3 or 4 maintenance.

6.1.2 RAF - Units authorized to carry out levels 2, 3 or 4 maintenance.

Action required by

7

7.1 Units and establishments holding equipment.

7.1.1 Examine equipment documents to see if modification is applicable.

7.1.2 Examine equipment or modification record plate to see if modification is embodied and where necessary Units with 1st Line REME Support demand the stores required.

7.1.3 ARMY - On receipt of stores, request REME to modify equipment.

7.1.4 ARMY - Record the AESP and instruction number in equipment documents.

7.1.5 RAF - Record modification details on AF G1084A and Form 4870. Units operating STAMA are also to record modification details on ADP MTMS Job Certification Sheet and to follow the procedures laid down in AP 100C-08A.

- 8.3 Tools and stores to be manufactured.
None
- 8.4 Stores to be removed and returned through normal channels/reduced to scrap.
- 9 Toolbox (1)
- 8.5 Items/stores to be modified.
None
- 8.6 Special tools and test equipment required.
None

Sequence of operations

NOTE

The item numbers of Para 8 are used as reference throughout this instruction.

- 9 Carry out this instruction as follows:

- 9.1 Remove the existing toolbox (9) as follows:

9.1.1 During this instruction identify and record the position and type of all the removed items. These will be required for the installation instruction. Replace or repair any damaged or corroded items as necessary.

9.1.2 Identify the toolbox (9); it is located at the left rear corner of the vehicle behind the left rear mudguard.

9.1.3 Remove all tools and equipment from the toolbox (9) and open the access door.

9.1.4 Release the wiring loom of the left rear light assembly from the toolbox (9) and the long-vehicle reflective marker-board.

9.1.5 Hold the left rear light assembly in position. Remove the four screws, nuts and spring washers that attach it to the toolbox (9). Remove the light assembly and support it clear of the work area.

9.1.6 Hold the left rear long-vehicle reflective marker-board in position. Remove the two bolts, nuts and spring washers that attach it to the toolbox (9). Remove the marker board from the vehicle.

9.1.7 Remove the four bolts, nuts and spring washers that attach the toolbox (9) to the two support brackets on the left rear mudguard.

WARNING

PERSONNEL HAZARD. THE TOOL BOX IS HEAVY IT MUST BE SUPPORTED SAFELY DURING THE REMOVAL PROCEDURE. OTHERWISE INJURY TO PERSONNEL OR DAMAGE TO EQUIPMENT MAY OCCUR.

- 9.1.8 Support the toolbox (9). Remove the four bolts, nuts and spring washers that attach it to the channels on the underside of the vehicle load bed.
- 9.1.9 Carefully move the toolbox (9) to the rear and lower it to the ground and remove it from beneath the vehicle.
- 9.1.10 Carefully remove the cable clips from the rear of the toolbox (9) for use in the installation procedure.
- 9.1.11 Dispose of the toolbox (9) in accordance with current regulations.
- 9.2 Prepare the new tool/CES box (1) as follows:
- 9.2.1 Refer to Fig 1, mark out and drill to 9 mm the four holes in the top surface of the new tool/CES box (1).
- 9.2.2 Refer to Fig 2, mark out and drill to 9 mm the six holes on the bottom face of the new tool/CES box (1). These are for the mudguard support brackets and the long vehicle marker board.
- 9.2.3 Refer to Fig 3, mark out and drill to 6 mm the four holes for the new angle brackets for the rear light mounting.
- 9.2.4 De-burr all drilled holes and remove all swarf from the inside of the new tool/CES box (1).
- 9.2.5 Refer to current procedures/regulations and apply a suitable protective coating to all exposed metal surfaces.
- 9.3 Install the new tool/CES box (1) as follows:

WARNING

PERSONNEL HAZARD. THE TOOL BOX IS HEAVY IT MUST BE SUPPORTED SAFELY DURING THE REMOVAL PROCEDURE. OTHERWISE INJURY TO PERSONNEL OR DAMAGE TO EQUIPMENT MAY OCCUR.

- 9.3.1 Support the new tool/CES box (1) in its installed position.
- 9.3.2 You must install the bolts with their heads inside the new tool/CES box (1), to prevent damage to the fire extinguisher/CES.
- 9.3.3 Attach the new tool/CES box (1) to the channels on the underside of the vehicle load bed with the four bolts, nuts, new-penny washers (4) and spring washers. Do not fully tighten the nuts at this time.
- 9.3.4 If necessary adjust the mudguard support brackets to align with the related bolt holes in the bottom of the new tool/CES box (1). Make sure that the gap between the mudguard and new tool/CES box (1) remains even and the mudguard is not distorted.
- 9.3.5 Attach the new tool/CES box (1) to the support brackets on the left rear mudguard with the four bolts nuts and spring washers. Do not fully tighten the nuts at this time.
- 9.3.6 Make sure that the new tool/CES box (1) is correctly positioned and tighten the nuts installed at para 9.3.3 and 9.3.5.
- 9.3.7 Hold the left rear long-vehicle reflective marker-board in position on the underside of the new tool/CES box. Install the two bolts, nuts and spring washers that attach it to the new tool/CES box (1). Tighten the nuts.

- 9.3.8 Attach the two new rear light support brackets (2) to the tool/CES box with the four screws (5), washers (7), spring washers (8) and nuts (6). Tighten the four nuts (6).
- 9.3.9 Hold the left rear light assembly in position on the rear of the new tool/CES box. Install the four screws, nuts and spring washers that attach it to the new rear light support brackets (2). Tighten the fixings.
- 9.3.10 Clip the wiring loom of the left rear light assembly to the light support bracket and the long-vehicle reflective marker-board. If necessary use the additional clips removed at 9.1.10 to make sure that the loom is securely clipped in position.
- 9.3.11 Examine the installation and make sure that all fasteners are in safety and wiring looms are correctly routed.
- 9.3.12 Refer to current procedures/regulations and apply a suitable protective coating to all exposed metal surfaces, nuts, bolts and screws.
- 9.3.13 Install any equipment removed at 9.1.3 in the new tool/CES box (1).

CAUTION

EQUIPMENT DAMAGE. The door of the new tool/CES box must be secured with a suitable padlock before the vehicle is moved. If you do not do this, the door/other equipment may be damaged or equipment may be lost from the compartment.

- 9.3.14 Secure the new toolbox/CES box (1) door with the CES padlock. Make sure that the related keys are attached to the vehicle keyring.
- 9.3.15 Install a serviceable fire extinguisher 6 Kg ABC Powder (3) in the new tool/CES box (1). Make sure that the loop on the fire extinguisher is located over the bracket in the new toolbox/CES box (1).

TESTING AFTER EMBODIMENT

10 Nil.

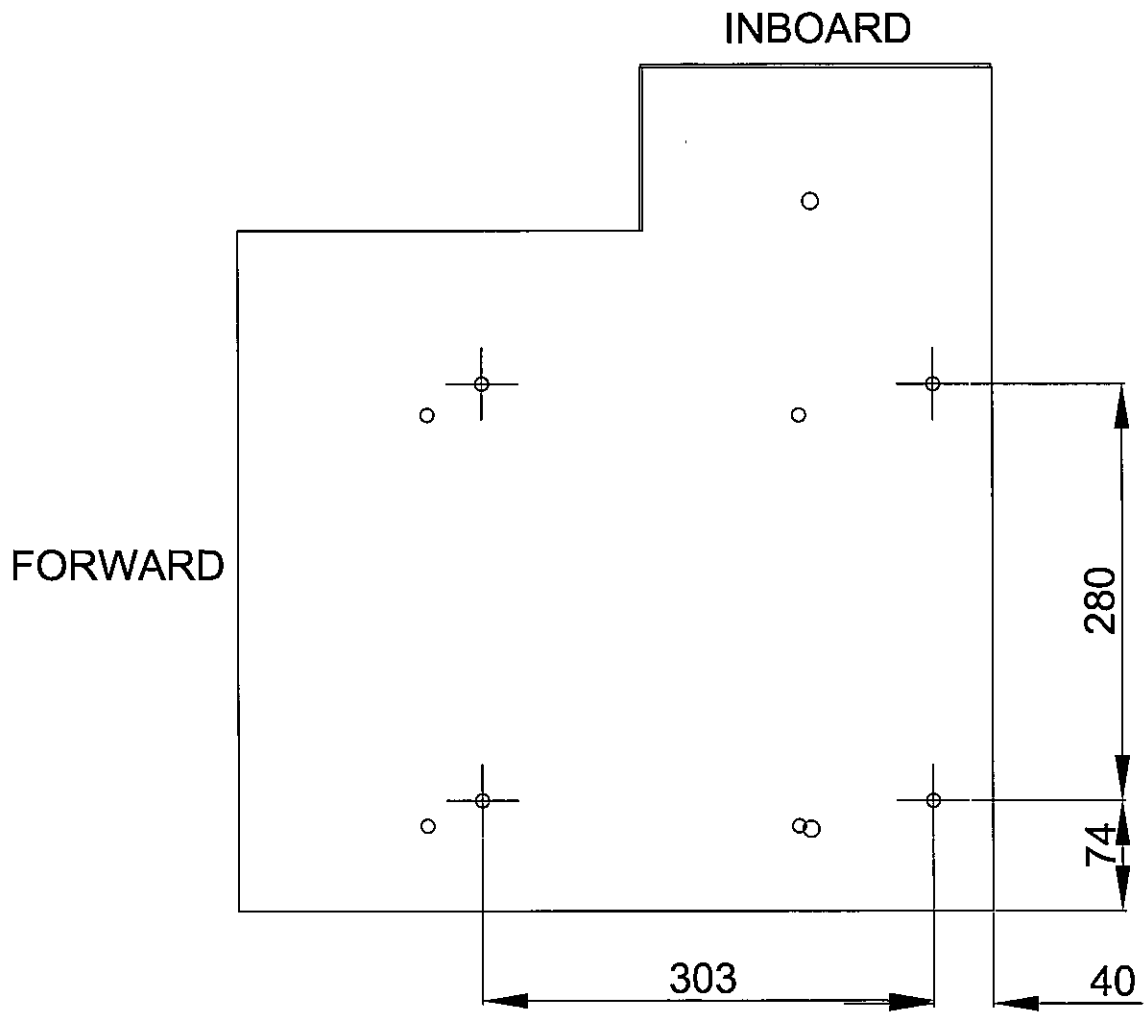
EFFECT ON WEIGHT

11 Negligible.

PUBLICATION AMENDMENTS**NOTE**

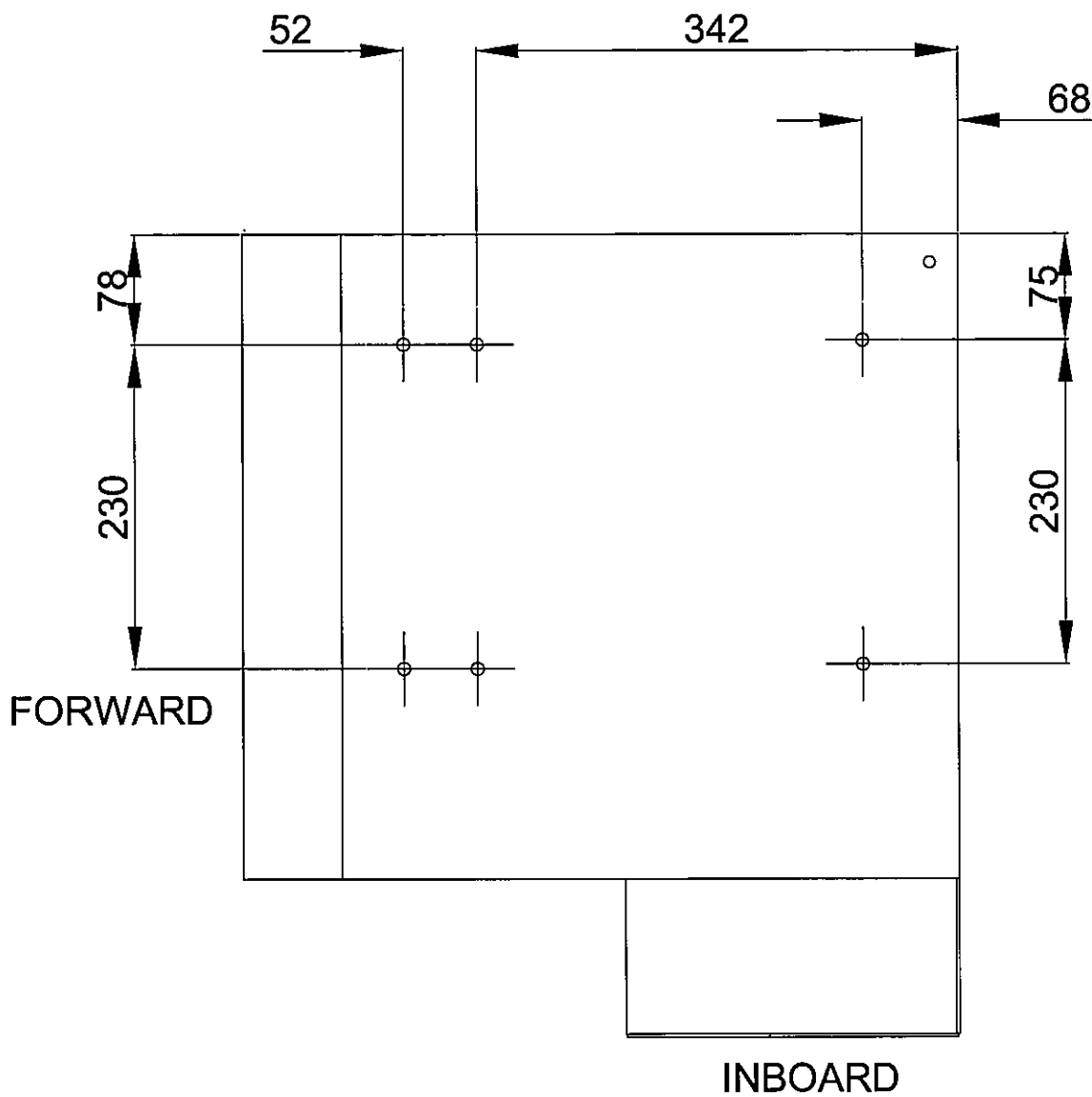
Necessary amendments will be issued separately.

12 Nil.



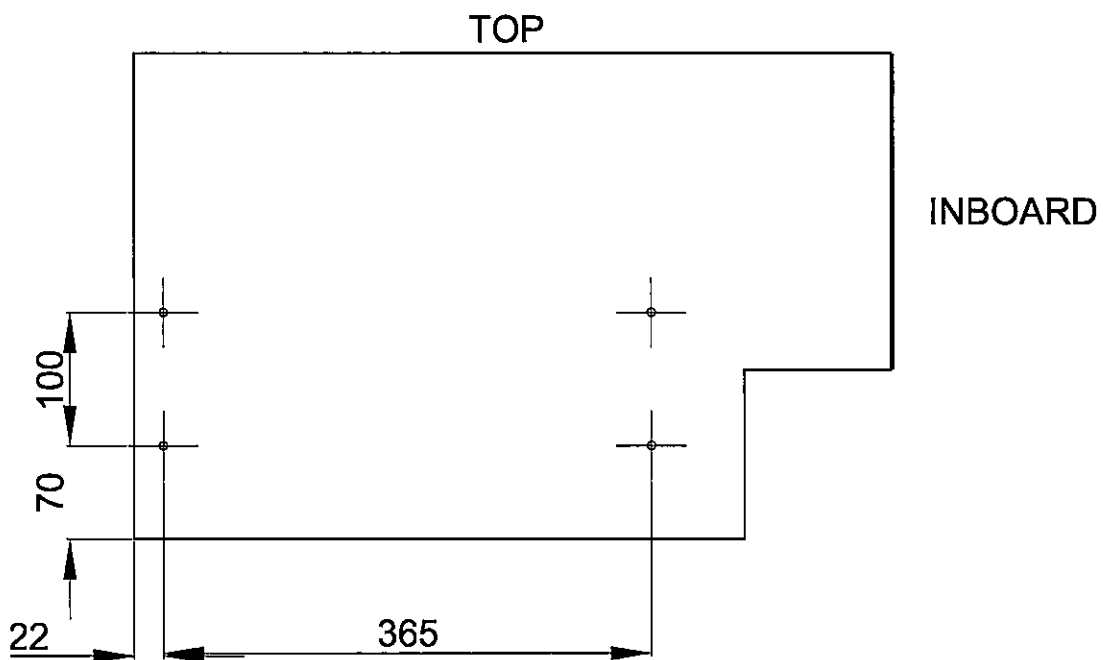
All dimensions in millimetres

Fig 1 View on the top face of the tool/CES box



All dimensions in millimetres

Fig 2 View on the bottom of the tool/CES box



All dimensions in millimetres

Fig 3 View on the rear of the tool/CES box

TRUCK 4 TONNE 4 X 4, BEDFORD MJ SERIES

MODIFICATION INSTRUCTION No. 32

Sponsor: GSV IPT
Project No.: Task 052
File Ref: PDS 1A/504

Publication Authority: TES TD Andover

AMENDMENT RECORD

Amdt No.	Incorporated By (Signature)	Date
1		
2		
3		

Amdt No.	Incorporated By (Signature)	Date
4		
5		
6		

SUBJECT: Height Indicators (Approval No. GSV/04/091)

INTRODUCTION

1 In order to comply with Construction & Use Regulations, all vehicles and loads with a height greater than 3 metres are to have in-cab height indicators fitted.

1.1 Limitations on use of equipment. Nil.

APPLICABILITY

2

2.1 Applicable to all Bedford 4 tonne 4 x 4 series vehicles held by user units.

2.2 Unmodified stock, held at all levels of technical storage.

REASON FOR MODIFICATION

3

3.1 To comply with Legislation and improve safety.

PRIORITY

4

4.1 ARMY: Immediate.

4.2 RAF: .

ESTIMATED TIME REQUIRED

5

5.2 Embodiment: 0.4 man hours

5.4 Testing: Nil

MODIFICATION IMPLEMENTATION PLAN

6

6.1 This instruction is to be implemented by:

6.1.1 ARMY – Units authorised to carry out levels 1, 2, 3 and 4 maintenance.

6.1.2 RAF – Units when found necessary.

Action required by

7

7.1 Units and establishments holding equipment:

7.1.1 Examine equipment documents to see if modification is applicable.

7.1.2 Examine equipment or modification record plate to see if modification is embodied and where necessary Units with 1st Line REME Support demand the stores required.

7.1.3 ARMY – On receipt of stores, request REME to modify equipment.

7.1.4 ARMY – Record the AESP and instruction in equipment documents.

7.1.5 RAF – Record modification details on AF G1084A and form 4870. Units operating STAMA are also to record modification details on ADP MTMS Job Certification Sheet to follow the procedures laid down in AP 100C-08A.

7.2 Army units authorised to carry out levels 1, 2, 3 and 4 maintenance and RAF units:

7.2.1 ARMY - When requested by users or during overhaul of equipment on charge without REME 1st Line Support, obtain the items listed in Para 8 and carry out this modification.

7.2.2 Record completion details of modification against appropriate entry in vehicle documents.

7.2.3 Complete AF G1084A when reporting completion of the modification to FORWARD (RAF) using the following code:

RAF: MODIFICATION CODE AFC319

NOTE

RAF units operating STAMA are also to complete ADP MTMS Job Certification Sheet and to follow the procedures laid down in AP 100C-08A.

7.3 All recipients of this instruction. Add particulars to AESP 2320-H-100-811 Mod Instr Index.

Stores, tools and equipment

8

8.1 Stores to be demanded.

8.1.1 The following items and modification set is to be demanded quoting this instruction as the authority for demand and

8.1.2 Registration number of vehicle for equipment held by user units.

Item No.	DMC	NSN/Part No.	Designation	Qty per eqpt
	7WTK	9905 01 507 4721	Indicator HT, Veh	1

Sequence of operations

9 Carry out this instructions as follows:

9.1 Ensure the area the indicator is to be applied to is clean, dry and free from grease.

9.2 Peel protective tape off self-adhesive strips and apply HT indicator to recommended area as per the illustration. Press firmly to ensure self-adhesive strips apply. Adjust the numbers to reflect the height of the vehicle and load.

TESTING AFTER EMBODIMENT

10 Nil

EFFECT ON WEIGHT

11 Negligible.

PUBLICATION AMENDMENTS

NOTE

Necessary amendments will be issued separately.

12 Nil.



Fig 1 Position on Heater box for HT Indicator.
(Viewed from RHS of cab)

TRUCK 4 TONNE 4 X 4 BEDFORD MJ (ALL VARIANTS)

MODIFICATION INSTRUCTION No. 33

Sponsor: GSVIPT
Project No: Task 054
File Ref: PD51A/504

Publication Authority: DGS & E TIG Andover

AMENDMENT RECORD

Amdt No.	Incorporated By (Signature)	Date
1		
2		
3		

Amdt No.	Incorporated By (Signature)	Date
4		
5		
6		

SUBJECT: Wheel chock bracket assy

(Approval No: GSV/04/0105)

INTRODUCTION

1 In order to comply with new ADR legislations, heavy goods vehicles carrying ADR loads are now required to carry external wheel chocks and 2 x 6 kg fire extinguishers. This instruction details the embodiment of a pair of wheel chocks storage positions and will need to be carried out in addition to the replacement fit of a rear tool bin, encompassing an additional fire extinguisher fit to ensure compliance.

1.1 Limitations on use of equipment. Nil.

APPLICABILITY

2

2.1 Applicable to all Bedford 4 tonne 4 x 4 series held by user units.

2.2 Unmodified stock, held at all levels of technical storage.

REASON FOR MODIFICATION/INTRODUCTION

3

3.1 Code 1 - to improve safety.

PRIORITY

4

4.1 ARMY: Routine.

4.2 RAF: Class TBA.

ESTIMATED TIME REQUIRED

5

- 5.1 Embodiment: One (1) man-hour per side of vehicle.

MODIFICATION IMPLEMENTATION PLAN

6

- 6.1 This instruction is to be implemented by:
- 6.1.1 ARMY - Units authorized to carry out levels 2, 3 or 4 maintenance.
- 6.1.2 RAF - Units not later than the next maintenance and Vehicle Depots before issue of vehicle.

Action required by

7

- 7.1 Units and establishments holding equipment.
- 7.1.1 Examine equipment documents to see if modification is applicable.
- 7.1.2 Examine equipment or modification record plate to see if modification is embodied and where necessary Units with 1st Line REME Support demand the stores required.
- 7.1.3 ARMY - On receipt of stores, request REME to modify equipment.
- 7.1.4 ARMY - Record the AESP and instruction number in equipment documents.
- 7.1.5 RAF - Record modification details on AF G1084A and Form 4870. Units operating STAMA are also to record modification details on ADP MTMS Job Certification Sheet and to follow the procedures laid down in AP 100C-08A.
- 7.2 Army units authorized to carry out levels 2, 3 and 4 maintenance and RAF units.
- 7.2.1 ARMY - When requested by units or during overhaul of equipment on charge without REME 1st Line Support, obtain the items listed in Para 8 and carry out this modification.
- 7.2.2 Record completion details of modification against appropriate entry in vehicle documents.
- 7.2.3 Complete AF G1084A when reporting completion of the modification to FORWARD (RAF) using the following code:

RAF: MODIFICATION CODE AFC 322.

NOTE

RAF units operating STAMA are also to complete ADP MTMS Job Certification Sheet and to follow the procedures laid down in AP 100C-08.

- 7.3 All recipients of this instruction. Add particulars to AESP 2320-H-100-811 Mod Instr Index.

Stores, tools and equipment

8

8.1 Stores to be demanded.

8.1.1 The following item(s)/set are/is to be demanded quoting this instruction as the authority.

8.1.2 Registration/Serial number of vehicle/engine/assembly for equipment held by user units.

Item No.	DMC	NSN/Part No.	Designation	Qty per eqpt
		2540-99-212-7006	Wheel Chock	2
		2590-99-562-5942	Spring Clip	2
		2590-99-213-1131 (A6000191)	Mod kit comprising:	2
1		A6000192	Mounting Plate	(1)
2		A6000193	Side Hangars	(2)
3		A6000194	Cross Straps	(2)
4		A6000209	Hex Head screws 5/16" UNC x 1"	(12)
5		A6000210	Nuts Nyloc 5/16" UNC	(12)
6		A6000211	Washers Plain 5/16" UNC	(24)

8.3 Tools and stores to be manufactured.

None.

8.4 Stores to be removed and returned through normal channels/reduced to scrap.

None.

8.5 Items/stores to be modified.

None.

8.6 Special tools and test equipment required.

None.

Sequence of operations

NOTE

The item numbers of Para 8 are used as reference throughout this instruction.

9 Carry out this instruction as follows:

Left Hand Side

- 9.1 The Chock Bracket Assembly (Fig 1) is to be mounted under the Jerry can holder.
- 9.2 The assembled bracket assembly is to be offered up to the underside of the Jerry can holder and mounting hole positions marked.
- 9.3 4 holes x 9mm diameter are to be drilled in the Jerry can box, confirm all holes line up with the existing holes in the side hangars plates.
- 9.4 The Chock Bracket assembly can then be fixed with the screws, nuts and washers provided in the kit. Bolts to be installed upwards to avoid any protruding threads in hand access area.

NOTE

The Spring Clip (NSN 2590-99-562-5942) must be secured on the baseplate of the Chock Bracket assembly using the existing screws, nuts and washers (see Fig 2).

- 9.5 The Cross straps are not required.

Right Hand Side

- 9.6 The assembled Chock Bracket Assembly (Fig 1) is to be mounted at the rear of the Fire extinguisher and directly forward of the rear wheels.
- 9.7 The assembled bracket is to be offered to the underside of the rear deck and mounting hole positions marked.
- 9.8 3 holes x 9mm diameter are to be drilled in the deck crossmember (non chassis structural) confirm all holes line up with existing holes in the side hanger plates.
- 9.9 The Chock Bracket assembly can then be fixed with the screws, nuts and washers provided in the kit. Bolts to be installed upwards to avoid the protruding threads in hand access area.

NOTES

- (1) The Spring Clip (NSN 2590-99-562-5942) must be secured on the baseplate of the Chock Bracket assembly using the existing screws, nuts and washers (see Fig 3).
- (2) Some variants of the 4 TONNE Bedford trucks will have different fixing positions (for the LH & RH sides) to accommodate the Wheel Chock Bracket.

TESTING AFTER EMBODIMENT

- 10 Ensure Wheel Chocks can be freely fitted and removed from mounting position.

EFFECT ON WEIGHT

- 11 Negligible.

PUBLICATION AMENDMENTS

NOTE

Necessary amendments will be issued separately.

- 12 Nil.

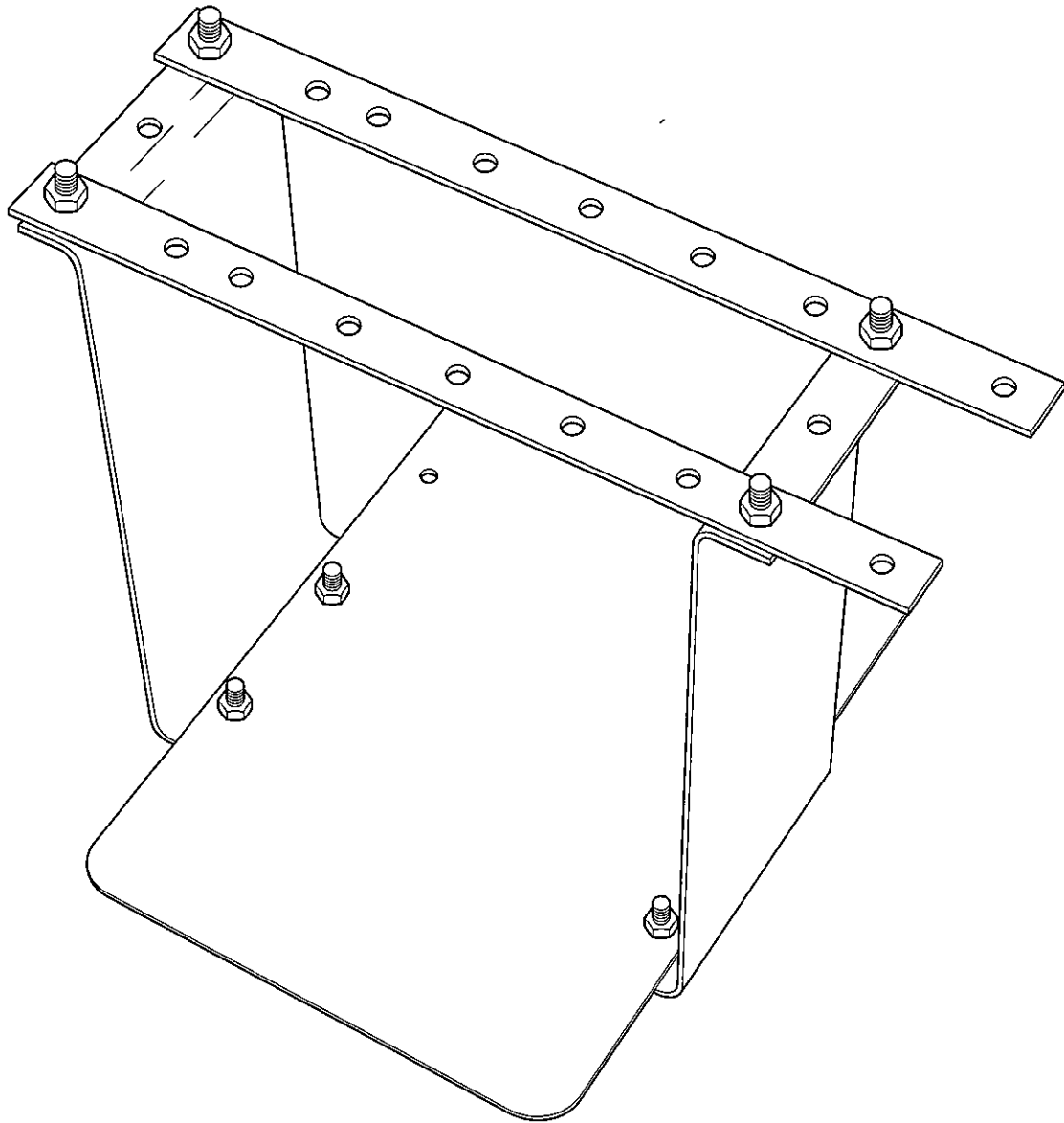


Fig 1 Typical wheel chock bracket mounting assembly

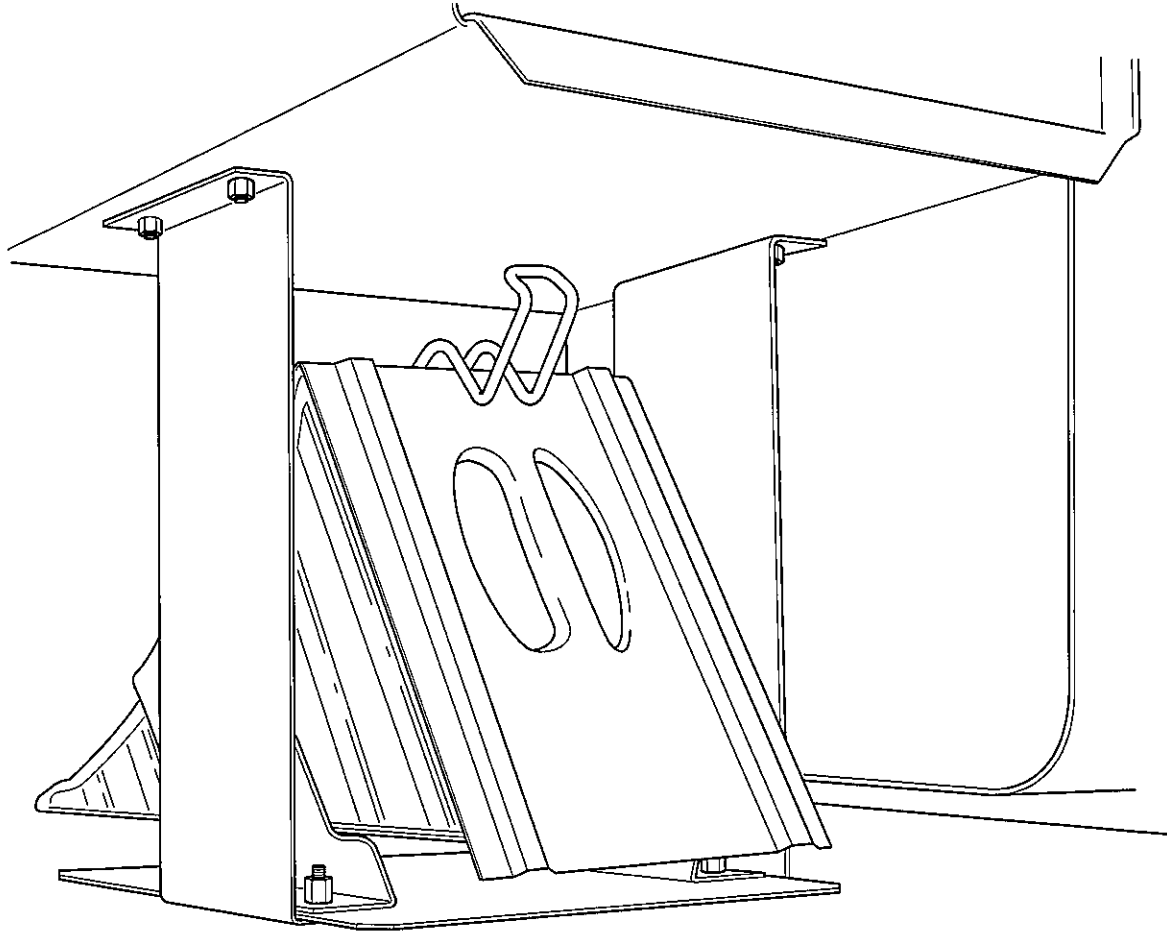


Fig 2 Wheel chock fixing LH side

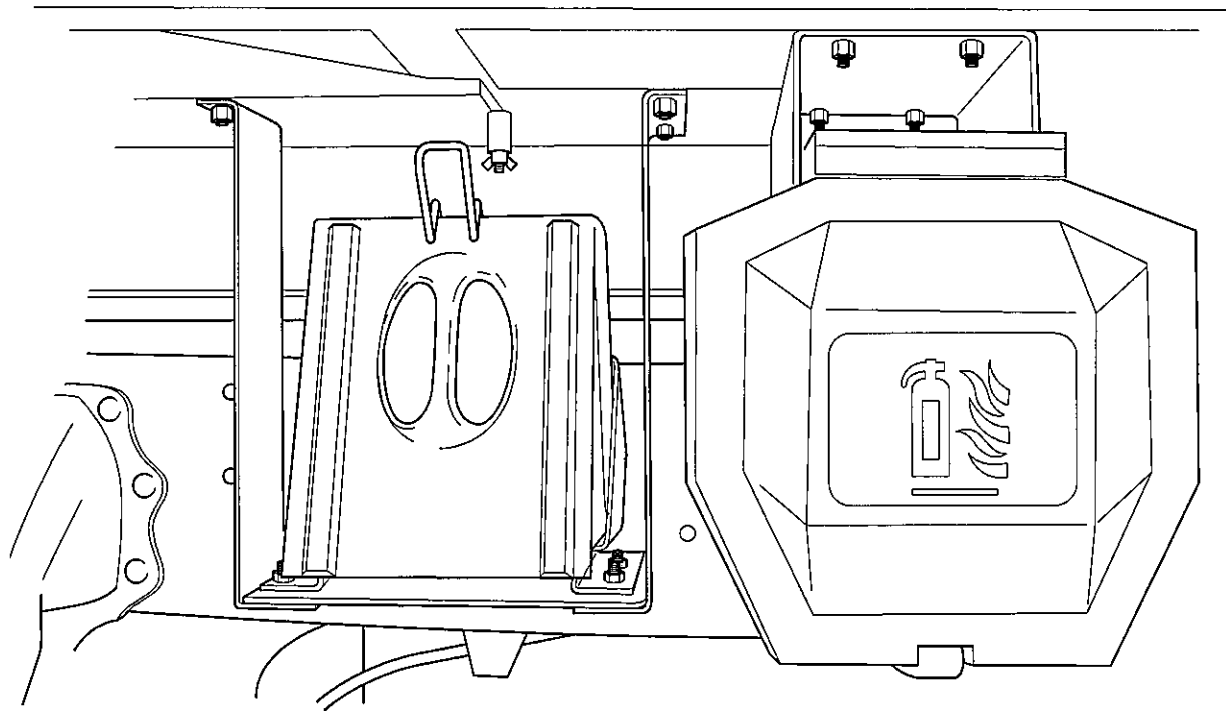


Fig 3 Wheel chock fixing RH side

~~FOR OFFICIAL USE ONLY
CROWN COPYRIGHT RESERVED~~


~~The information within this publication
is released by the UK Government to the
recipient in accordance with the
Conditions of Release given at
Page/Frame (ii)~~



TRUCK, 4 TONNE, 4x4, BEDFORD MJ (ALL VARIANTS)

GENERAL INSTRUCTIONS

BY COMMAND OF THE DEFENCE COUNCIL


Ministry of Defence

Sponsor:

Publications Authority:
Vehs & Wpns Br REME
Project No: 71511(48)
File ref: 30901/31

~~CONDITIONS OF RELEASE~~

- ~~1. This information is released by the UK Government for defence purposes only.~~
- ~~2. This information must be accorded the same degree of security protection as that accorded thereto by the UK Government.~~
- ~~3. This information may be disclosed only within the Defence Departments of the recipient government, except as otherwise authorized by Ministry of Defence (Army).~~
- ~~4. This information may be subject to privately owned rights.~~

AMENDMENT RECORD

Amdt	Incorporated by	Date
1		
2		
3		
4		
5		
6		
7		
8		
9		
10		
11		
12		
13		
14		
15		
16		
17		
18		
19		
20		
21		
22		
23		
24		
25		
26		
27		
28		
29		
30		
31		

Amdt	Incorporated by	Date
32		
33		
34		
35		
36		
37		
38		
39		
40		
41		
42		
43		
44		
45		
46		
47		
48		
49		
50		
51		
52		
53		
54		
55		
56		
57		
58		
59		
60		
61		
62		

PREFACE

1 The controlling publication authority for this sub-category is:

Vehicles and Weapons Branch REME
Chobham Lane
Chertsey Surrey KT16 OEE

2 All general instructions as issued are to be recorded on the general instruction index provided. Amendments to individual general instructions are to be recorded on the Instruction Amendment Record. All extant instructions and amendments can be found listed in the main AESP Index.

3 The controlling publication authority is responsible for the preparation and maintenance of the general instruction index and will issue completed and subsequent blank index pages as necessary. Instruction numbers can only be allocated by the controlling authority.

4 Comments on instructions are to be forwarded in accordance with AESP 0100-P-011-013.

GENERAL INSTRUCTION INDEX

This index is to be kept up to date by the User entering general instructions as and when they are published.

Instr No	STI/SI No	Subject	Approval No/Remarks
1		Fasteners: Turbo elbow to exhaust pipe	12-1954/1
2		Turbocharger: Oil feed and drain fittings	12-1951
3		Engine sealing and sealed bolts	12-1938 and 12-1942
4		Brake governor (unloader) valve	
5		Viscous fan drive	50736/331JT
6		Transfer box: "Form in place" gaskets	12-1978
7		Cancelled	
8	AHC 067	Fuel sensing unit - leaking fuel	
9		Fuel gauge sender unit	50736/61
10		Transmission brake adjustment	12-2043
11		Turbocharger T35 (Airsearch)	12-2050
12		Transfer box control rods	0736/57

(continued)

GENERAL INSTRUCTION INDEX (continued)

Instr No	STI/SI No	Subject	Approval No/ Remarks
13		Front brake drums cracking	
14		Tachometer earthing	
15	AHC 074	Illuminated fog lamp switch: melting of bulb holder	
16		CANCELLED Front and rear braking lining material	C.R
17		Tachometer Drive Cable	
18		Fitting of fuel sender unit and associated harness	12-7007
19		Front panel left hand drive (L.H.D) and right hand drive (R.H.D)	12-7013
20		Instrument cluster + another completely revised	
21		Non-asbestos brakes	
22		Hydraulic Pump (CALM) variant	12-7047
23		Replacement of Air Cleaner Assy	GSV/04/036
24		Multi-pin plug connectors	GSV/04/052
25		Destruction of Category 533	
26			
27			
28			
29			
30			
31			
32			
33			
34			
35			
36			
37			

(continued)

GENERAL INSTRUCTION INDEX (continued)

Instr No	STI/SI No	Subject	Approval No/ Remarks
38			
39			
40			
41			
42			
43			
44			
45			
46			
47			
48			
49			
50			
51			
52			
53			
54			
55			
56			
57			
58			
59			
60			
61			
62			

TRUCK, 4 TONNE, 4x4 BEDFORD MJ, (ALL VARIANTS)

GENERAL INSTRUCTION NO 1

Sponsor:
DGEME(A)

Publications Authority:
Vehicles and Weapons Br REME
Project No: 71012(198)
File ref: VB/50736/47

AMENDMENT RECORD

Amdt	Incorporated by	Date	Amdt	Incorporated by	Date
1			3		
2			4		
3			6		

SUBJECT: Fasteners: Turbo Elbow to exhaust pipe.
(MAE 12-1954/1)

INTRODUCTION

1 The existing spring washers and plain nuts which fasten the exhaust downpipe to the turbocharger elbow are deleted. As and when it is necessary to disturb the subject joint, fit latest production pattern fasteners (listed in para 4 below). Vehicles produced after engine and chassis numbers shown in para 2 will incorporate these later pattern stores.

APPLICABILITY

- 2 Truck 4 Tonne 4 x 4 w/turbo Bedford MJ (all variants) up to:
- 2.1 Engine number 6543294
 - 2.2 Chassis number FT 101936

IMPLEMENTATION

3 Army units authorised to carry out levels 2, 3 and 4 maintenance, and RAF units.

Stores, tools and equipment

4

4.1 Stores to be demanded

<u>Item No</u>	<u>COSA Section</u>	<u>NSN/Part No</u>	<u>Designation</u>	<u>Qty per eqpt</u>
1	G1	5310-12-125-0077	washer flat steel M10.5mm	4
2	G1	5310-99-139-2381	Nut self locking M10	4

4.2 Stores to be removed and discarded

3	G1	5310-99-135-9303	washer, lock, steel M10	4
4	G1	5310-99-122-5297	Nut, plain hexagon, ISO metric coarse, M10	4

Procedure

5 Carry out the instruction as follows:

Note...

The item numbers shown in para 4 are used as references throughout this instruction.

5.1 When it is necessary to remove or tighten the fasteners (items 3 and 4) fitted to the subject joint, these are to be replaced by the latest production pattern fastenings (items 1 and 2).

TRUCK CARGO 4 TONNE 4x4 BEDFORD MJ (ALL VARIANTS)

GENERAL INSTRUCTION NO 2

Sponsor:
DGEME(A)

Publications Authority:
Vehs & Wpns Br REME
Project No: 71012(206)
File ref: VB/50736/42

AMENDMENT RECORD

Amdt	Incorporated by	Date	Amdt	Incorporated by	Date
1			4		
2			5		
3			6		

SUBJECT: Turbocharger; oil feed and drain fittings
(MAE 12-1951)

INTRODUCTION

1 The manufacturer has introduced an improved pattern turbocharger oil drain pipe with a 12mm thick flange designed to obviate distortion of this flange. This item will only be issued by Ord when stocks of the existing drain pipe with an 8mm thick flange have been exhausted.

2 In all cases where the later pattern oil drain pipe is fitted, the opportunity is also to be taken to install longer bolts securing the oil feed adaptor housing to the turbocharger.

APPLICABILITY

3 Truck cargo 4 tonne 4x4 w/turbo Bedford MJ (all variants) held by user units, subject to the provisions of para 1.

REASON FOR INSTRUCTION

4 Code 5 - to conform to changes in pattern of commercial stores.

IMPLEMENTATION

5 Army units authorised to carry out levels 2,3 and 4 maintenance, and RAF units.

Stores Tools and Equipment

6

6.1 Ordnance will provide item 1 automatically when stocks of item 4 have been exhausted. When in receipt of this later pattern pipe assy (item 1), and where this instruction has not previously been incorporated into the vehicle in question, it is necessary to demand items 2 and 3 separately.

6.2 Later pattern stores

<u>Item No</u>	<u>COSA Section</u>	<u>NSN/Part No</u>	<u>Designation</u>	<u>Oty per eqpt</u>
1	7BD	2990-99-839-5308	Pipe assy-oil drain upper turbocharger	1
2	G1	5305-99-122-5367	Screw hex hd -M8 x 25mm lg	2
3	7BD	5306-99-736-6841	Bolt hex hd - M8 x 58mm lg	2

6.3 Early pattern stores

4	7BD	2990-99-763-5346	Pipe assy - oil drain upper turbocharger	1
5	Vauxhall	11042892	Screw hex hd - M8 x 22mm lg	2
6	Vauxhall	11051583	Bolt hex hd - M8 x 55mm lg	2

6.4 Stores or suitable equivalent to be obtained locally

7	7BD	5330-99-763-5347	Gasket (oil drain pipe flange to turbocharger)	1
---	-----	------------------	--	---

Procedure

7 Carry out this instruction as follows:

Note...

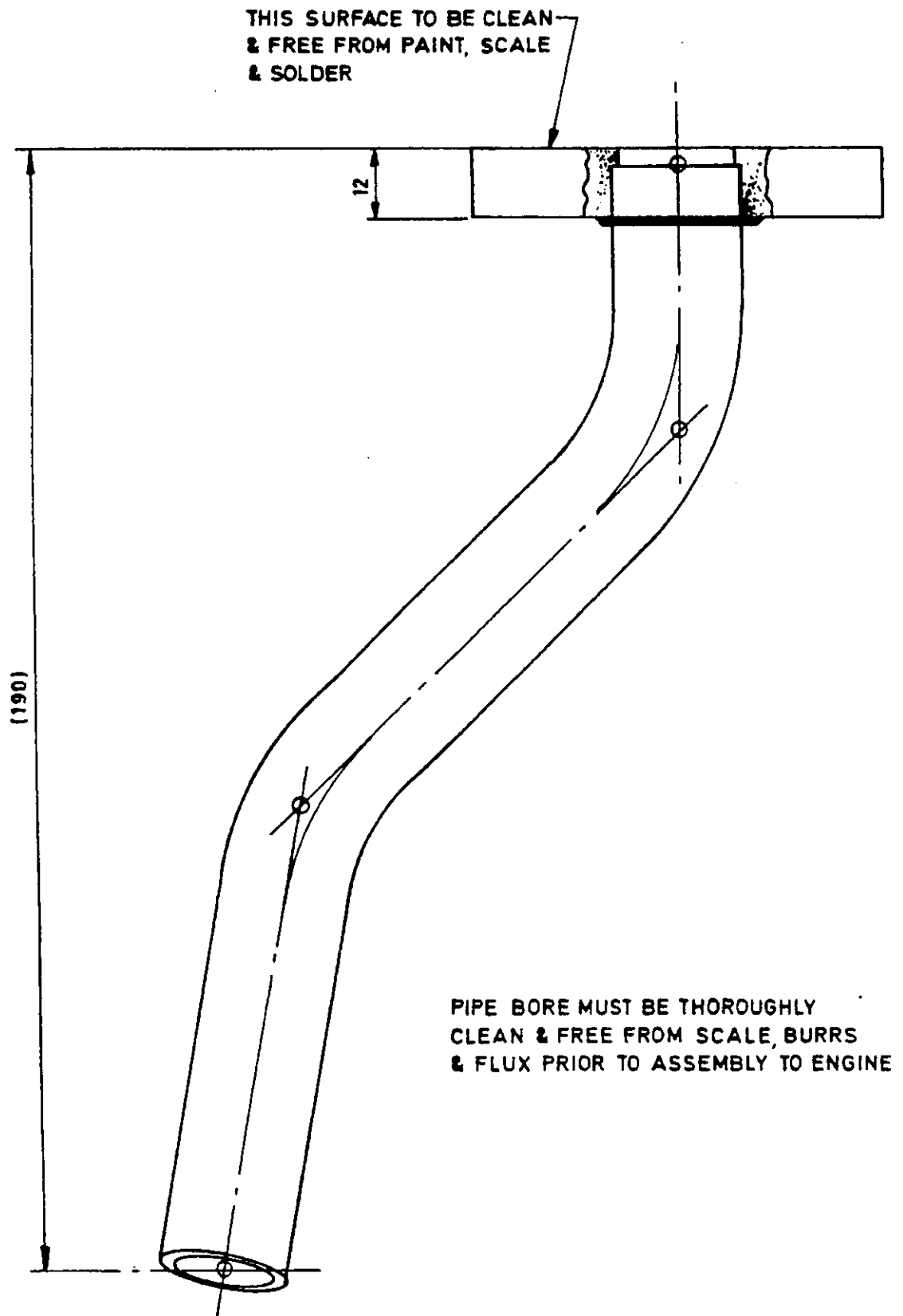
The item numbers shown in para 6 are used as references throughout this instruction.

7.1 When issued with oil drain pipe assy c/w 12mm thick flange (item 1), remove and discard early pattern drain pipe assy c/w 8mm thick flange (item 4) and its 22mm lg securing screws (item 5). Retain any washers.

7.2 Remove old gasket and clean mating face and surrounding areas of turbocharger.

7.3 Connect oil drain pipe (item 1) and fit c/w gasket (item 7); secure using 25mm lg screws (item 2) plus washers retained during operation 7.1.

7.4 Remove 55mm lg bolts (item 6) retaining the oil feed adaptor housing to the turbocharger and install and tighten 58mm lg bolts (item 3) to between 12 and 16 Nm.



V7059/1

Fig 1. Modified oil drain pipe, upper turbocharger

TRUCK, 4 TONNE, 4x4 BEDFORD MJ (ALL VARIANTS)

GENERAL INSTRUCTION NO 3

Sponsor:
DGEME(A)

Publications Authority:
Vehs & Wpns Br REME
Project No: 71012(224)
File ref: 50736/38
50736/40

AMENDMENT RECORD

Amdt	Incorporated by	Date	Amdt	Incorporated by	Date
1			4		
2			5		
3			6		

SUBJECT: Engine sealing and sealed bolts (12-1938 and 12-1942)

INTRODUCTION

1 On production the manufacturers have introduced sealed bolts and sealer added to appropriate joints to obviate engine oil leaks. This instruction informs workshops of the necessary detail for overhauling engines, and user units when changing components or servicing engine.

APPLICABILITY

2 Truck cargo 4 tonne 4x4 Bedford MJ (all variants).

IMPLEMENTATION

3 Items affected

3.1 old

<u>Item No</u>	<u>COSA Section</u>	<u>NSN/Part No</u>	<u>Designation</u>	<u>Qty per eqpt</u>
1		0120229	Bolt - induction manifold to cyl head	3
2		173063	Bolt - induction manifold to cyl head	1
3		178429	Bolt - induction manifold to cyl head	1

<u>Item No</u>	<u>COSA Section</u>	<u>NSN/Part No</u>	<u>Designation</u>	<u>Qty per eqpt</u>
4		142601	Bolt - induction manifold to cyl head	2
5		122007	Bolt - compressor to timing gear case	5
6		11055462	washer lock - compressor to timing gear case	5
7		121887	Bolt - push rod cover to crankcase	4
8		120380	washer lock - push rod cover to crankcase	4
9		9907485 or 120854	Bolt - push rod cover to crankcase	25
10		120380	washer lock - push rod cover to crankcase	25
11		122089	Bolt - fuel return pipe clip to manifold and cyl head	1
12		9431187	Bolt - thermo tank bracket to manifold and cyl head	2
<u>3.2 New</u>				
13	7BD	5306-99-785-0311	Bolt -induction manifold to cyl head (Pt No 9908335)	3
14	7BD	5306-99-785-0312	Bolt - induction manifold to cyl head (Pt No 9908337)	1
15	7BD	5306-99-785-0313	Bolt - induction manifold to cyl head (Pt No 9908338)	1
16	7BD	5306-99-785-1014	Bolt - induction manifold to cyl head (Pt No 9908340)	2
17	7BD	5306-99-785-1015	Bolt - compressor to timing gear case (Pt No 9908133)	5
18	7BD	5306-99-785-1016	Bolt - push rod cover to crankcase (Pt No 9908333)	4
19	7BD	5306-99-785-1017	Bolt - push rod cover to crankcase (Pt No 9908332)	25
20	7BD	5306-99-785-1018	Bolt - fuel return pipe clip to manifold and cyl head (Pt No 9908093)	1

<u>Item No</u>	<u>COSA Section</u>	<u>NSN/Part No</u>	<u>Designation</u>	<u>Qty per eqpt</u>
21	7BD	5306-99-785-1019	Bolt - thermo tank bracket to manifold and cyl head (Pt No 9908339)	2
22	H1	8030-99-225-0799	Sealer, Golden Hermetite	A/R
23	H1	8030-99-225-0249	Sealer, Loctite with teflon	A/R
24	H1	8030-99-224-0759	wellseal	A/R

4 Detail

4.1 When overhauling or repairing engine it is not necessary to replace the new type bolts (items 13 and 21 inclusive) or existing bolts and washers (items 1 to 12 inclusive), but the bolts will need cleaning and loctiting on reassembly using item 23.

4.2 Sealer, Golden Hermetite (item 22) is to be used on the following:

- 4.2.1 Cylinder block, front and rear bearing caps to sump joint face.
- 4.2.2 Front and rear main bearing caps to block.
- 4.2.3 Timing gear case assembly.
- 4.2.4 Timing gear case cover plate.
- 4.2.5 Push rod cover gasket to cylinder block and head.
- 4.2.6 Push rod cover gasket.
- 4.2.7 Power steering pump (if fitted).

4.3 Sealer, Loctite with teflon (item 23) is to be used on the following:

- 4.3.1 Oil duct cup plug.
- 4.3.2 Bolt, cover plate or power steering pump to timing case.

4.4 wellseal (item 24) is to be used on the exhaust manifold sealing rings.

TRUCK, 4 TONNE 4x4 BEDFORD MJ (ALL VARIANTS)

GENERAL INSTRUCTION NO 4

Sponsor:
DGEME(A)

Publications Authority:
Vehs & Wpns Br REME
Project No: 71112(4)
File ref: 50736/54

AMENDMENT RECORD

Amdt	Incorporated by	Date	Amdt	Incorporated by	Date
1			4		
2			5		
3			6		

SUBJECT: Brake governor (unloader) valve

INTRODUCTION

1 The governor valve, at present, requires the removal of the mounting nuts and loosening of the air pipes to remove the valve sufficiently to gain easy access to the adjusting screw with a screwdriver. This instruction informs user units that they may, at their discretion introduce a new hexagon headed screw to the governor valve, which will enable the valve to be adjusted in situ using a 7/16 in. AF open jaw spanner.

APPLICABILITY

2 Truck cargo 4 tonne 4 x 4 Bedford MJ (all variants).

IMPLEMENTATION

3 Replace existing slotted headed screw (LV6MT9 5305-99-833-7770) with a suitable 1/4 in. UNC hexagon headed screw, ensuring that the screw is the same length and the threaded end has the same profile as the original screw.

4 Adjust the governor valve as necessary.

TRUCK 4 TONNE, 4x4 BEDFORD MJ (ALL VARIANTS)

GENERAL INSTRUCTION NO 5

Sponsor:
DGEME(A)

Publications Authority:
Vehs & Wpns Br REME
Project No: 71112(11)
File ref: 50736/33

AMENDMENT RECORD

Amdt	Incorporated by	Date	Amdt	Incorporated by	Date
1			4		
2			5		
3			6		

SUBJECT: Viscous fan drive
(50736/33/JT)

INTRODUCTION

1 To avoid having to replace the water pump when a new type viscous fan is fitted, or having to replace old type viscous fan when a new type water pump is fitted, it is permissible to drill and tap the holes required in the water pump pulley. This instruction gives the necessary detail.

APPLICABILITY

2 Truck 4 tonne 4 x 4 Bedford MJ (all variants).

IMPLEMENTATION

3 Detail

3.1 The pulley on the water pump is to be drilled and tapped to 5/16in. 18 UNC using viscous fan as a template.

3.2 The pulley must not be removed to re-drill and must be supported when drilling to ensure drilling loads are self contained and not passed through the water pump bearings.

3.3 Care must be taken to ensure that swarf particles from the drilling or tapping operation do not enter the water pump bearings.

3.4 The relative position of the new set of holes to the old is unimportant.

TRUCK, 4 TONNE, 4x4 BEDFORD MJ (ALL VARIANTS)

GENERAL INSTRUCTION NO 6

Sponsor:
DGEME(A)

Publications Authority:
Vehs & Wpns Br REME
Project No: 71112(66)
File ref: 50736/52

AMENDMENT RECORD

Amdt	Incorporated by	Date	Amdt	Incorporated by	Date
1			7		
2			8		
3			9		

SUBJECT: Transfer box: 'form-in-place' gaskets
(12-1978)

INTRODUCTION

1 This instruction informs workshops that on current production vehicles the shaft end cover gaskets have been replaced with 'form-in-place' gaskets, and the shaft end covers have been revised to make up for the lost gasket thickness. When existing stocks of the shaft end covers are exhausted they will be replaced by the new shaft end covers. The old covers will still require the gaskets, whilst the new covers will require Loctite 510 superfast flange sealant to make the 'form-in-place' gaskets.

APPLICABILITY

2 Truck cargo 4 tonne 4 x 4 Bedford MJ (all variants)

IMPLEMENTATION

3 Items affected

3.1 old

<u>Item No</u>	<u>COSA Section</u>	<u>NSN/Part No</u>	<u>Designation</u>	<u>Qty per veh</u>
1	7BD	2520-99-833-7778	Input pinion shaft cover assy (Pt No 91048404)	1
2	7BD	5330-99-832-9292	Gasket, input pinion shaft cover and layshaft front cover (Pt No 91056138)	2
3	7BD	2520-99-814-0085	Layshaft front cover assy (Pt No 8821382)	1

<u>Item No</u>	<u>COSA Section</u>	<u>NSN/Part No</u>	<u>Designation</u>	<u>Qty per veh</u>
4			Rear cover assy (Pt No 2718157)	1
5	7BD	5330-99-874-0937	Gasket, rear cover assy (Pt No 7154614)	1
6			PTO front cover assy (Pt No 8821392)	1
7	7BD	2520-99-874-0860	Gasket, PTO front cover assy (Pt No 6381563)	1
<u>3.2 New</u>				
8	7BD	2520-99-839-5397	Housing mechanical drive, input shaft cover assy (Pt No 91116695)	1
9	7BD	2520-99-839-5398	Housing mechanical drive, layshaft front cover assy (Pt No 91116697)	1
10	7BD	2520-99-839-5399	Housing mechanical drive, transfer box rear cover assy (Pt No 91116702)	1
11	7BD	2520-99-839-5400	Housing mechanical drive, PTO front cover assy (Pt No 91116700)	1
12	H1	8030-99-748-9983	Sealing compound, Loctite 510	As req

Note...

Items 6, 7 and 11 apply to winch variants only.

TRUCK, 4 TONNE, 4x4 BEDFORD MJ (ALL VARIANTS)

GENERAL INSTRUCTION NO 7

CANCELLATION

INTRODUCTION

1 This instruction authorises the cancellation of SI/MT BEDFORD AGC 026. Front brake drums cracking which has been superseded by Gen Instr No 13.

ACTION

- 2 Remove and destroy Gen Instr No 7, Sept 87, Page 1/2.
- 3 File this instruction in its place for reference.

TRUCK, 4 TONNE, 4x4 BEDFORD MJ (ALL VARIANTS)

GENERAL INSTRUCTION NO 8

File ref: 0736/60

Vehicles & Weapons Branch REME
Project No: 71212 (211)

- A STI MT/Bedford AHC 067
Fuel sensing unit - leaking fuel
- B 1 Truck, 4 tonne, 4 x 4 Bedford MJ (all variants) with fuel sensing unit fitted in rear wall of the fuel tank under the longitudinal chassis member.
- 2 Truck, 4 tonne, 4 x 4 Bedford MJ (all variants) with fuel sensing unit fitted in rear wall of the fuel tank under the longitudinal chassis member.
- C Cases have been reported of the fuel sensing unit loosening and falling from the fuel tank resulting in fuel spillage.
- D 1a At the earliest opportunity but not later than 14 days following receipt of this instruction.
- 1b (1) Examine fuel tank for any sign of leakage from the fuel sensor joint.
- (2) If no sign of leakage is found drill two holes in the walls of the tank and sensor mounting plate under the locking lugs at maximum metal condition.
- (3) Using locking wire in drilled holes secure sensor mounting plate to fuel tank.
- (4) If leakage is found, telephone Mr J Traylor on Chertsey Mil Ext 2214 for further advice.
- 1c 1 man hour Veh Mech (Army) MT Mech/Tech (RAF)
- 2a Before issue of vehicles from CVDs.
- 2b NA
- E 1 RAF UNITS - Enter details on instruction index. Record STI number on form AFG1084A and F4870. In addition report to FORWARD (RAF) using code:
- AHC067
- 2 ARMY UNITS - Enter details on instruction index. Record Gen Instr No and action taken in vehicle documents.
- F Defect reports are not required.
- G 1 Compliance with signal STI MT/Ford AHC067 Fuel sensing unit, satisfies this instruction.
- 2 NA
- H NA

TRUCK 4 TONNE, 4x4, BEDFORD MJ

(ALL VARIANTS)

GENERAL INSTRUCTION NO 9

Sponsor:
DGEME(A)

Publications Authority:
Vehs & Wpns Br REME
Project No: 71212 (304)
File ref: 50736/61

AMENDMENT RECORD

Amdt	Incorporated by	Date	Amdt	Incorporated by	Date
1			4		
2			5		
3			6		

SUBJECT: Fuel gauge sender unit
(50736/61)

INTRODUCTION

1 Later vehicles are equipped with a revised tank unit having a bayonet type mounting. This instruction details the method of special tool manufacture and the fitting method.

1.1 Limitations on use of equipment. NIL

APPLICABILITY

2 Truck 4 tonne, 4x4, Bedford MJ (All variants) held by user units.

IMPLEMENTATION

3 Detail

3.1 Units are to obtain Drawing No REME 002272 as detailed in EMER Man Y030 Chap 6 Fig 36 and manufacture the tool as per the drawing.

3.2 The tool is to be used to tighten the fuel gauge sender unit after repair of any damage, to 19Nm (14 lbf ft).

3.3 The sender is to be lockwired after it is established that no leaks are present.

Note ...

If sender units are already lockwired and no leaks are present then units are to take no action.

TRUCK CARGO 4 TONNE 4x4

BEDFORD MJ (ALL VARIANTS)

GENERAL INSTRUCTION NO 10

Sponsor:
DGEME(A)

Publications Authority:
Vehicles & Weapons Branch REME
Project No: 71312(3)
File ref: 0736/65

AMENDMENT RECORD

Amdt	Incorporated by	Date	Amdt	Incorporated by	Date
1			4		
2			5		
3			6		

SUBJECT: Transmission Brake Adjustment
(MAE 12-2043)

INTRODUCTION

1 As a result of in-service complaints the transmission brake adjustment has been revised, this instruction gives the necessary detail.

APPLICABILITY

2 Truck cargo 4 tonne 4x4 Bedford MJ (all variants).

IMPLEMENTATION

3 Detail

3.1 Pull handbrake lever on hard to centralise shoes, then release.

3.2 Adjust transmission brake until drum cannot be rotated, then back off until drum is free to rotate.

3.3 Repeat 3.1 and 3.2 until the brake adjuster cannot be turned on without causing the linings to rub against the drum.

3.4 Slacken the locknut on the cable adjustment clevis, adjust clevis until all slack cable is taken up. Tighten locknut and ensure the brake drum is not rubbing.

3.5 Apply a load of 50lbf at end of handbrake lever. The lever must not move more than 11 notches on handbrake lever ratchet.

3.6 If after the above procedure the handbrake is considered inefficient, forward defect reports quoting brake adjusted in accordance with this instruction.

TRUCK CARGO, 4x4, BEDFORD MJ (ALL VARIANTS)

GENERAL INSTRUCTION NO 11

(Completely revised)

Amdt Instrs

Remove Pages 1-2 dated May 88. Insert Pages 1-2 dated Jan 90.

Sponsor:
DGEME(A)

Publications Authority
Vehs & Wpns Br REME
Project No: 71411(280)
File ref: 0736/67

AMENDMENT RECORD

Amdt	Incorporated by	Date	Amdt	Incorporated by	Date
1			4		
2			5		
3			6		

SUBJECT: Turbocharger T35 (Airsearch)
(MAE 12-2050)

INTRODUCTION

1 This instruction is to inform workshops that vehicles may be fitted in production with either a Holset H1B or an Airsearch T35 turbocharger, and what action may be taken when either needs to be replaced.

APPLICABILITY

2 Truck cargo 4 tonne 4x4 Bedford MJ (all variants).

REASON

3 Code 6 - release of alternative supplier.

IMPLEMENTATION

4 Items affected.

4.1 Old

<u>Item No</u>	<u>COSA Section</u>	<u>NSN/Part No</u>	<u>Designation</u>	<u>Qty per veh</u>
1	7BD	2990-99-763-6032	Turbocharger (Holset H1B)	1

4.2 New

2	6MT12	2990-99-793-2021	Turbocharger (Airsearch T35)	1
3	7BD	2990-99-742-7885	Adaptor - oilfeed	1
4	7BD	5330-99-832-7214	Gasket	1
5	7BD	2940-99-763-6037	Adaptor - oil feed	1
6	7BD	5330-99-763-5347	Gasket	1

Procedure

Note ...

The item numbers shown in para 4 are used as references throughout this instruction.

5 Where possible like should be replaced with like, if for any reason this is not possible then to fit a Holset H1B turbocharger (item 1) in the place of an Airsearch T35 (item 2) adaptor (item 5) and gasket (item 6) need to be demanded and used to enable embodiment. To fit an Airsearch T35 turbocharger (item 2) in the place of a Holdset H1B (item 1) then adaptor (item 3) and gasket (item 4) need to be demanded and used to enable embodiment.

TRUCK 4 TONNE, 4x4, BEDFORD MJ (ALL VARIANTS)

GENERAL INSTRUCTION NO 12

Sponsor:
DGEME(A)

Publications Authority:
Vehicles and Weapons Branch REME
Project No: 71312 (89)
File ref: 0736/57

AMENDMENT RECORD

Amdt	Incorporated by	Date	Amdt	Incorporated by	Date
1			4		
2			5		
3			6		

SUBJECT: Transfer box control rods
(0736/57)

INTRODUCTION

1 This instructions informs workshops that on current production vehicles the transfer box control rods have been shortened to overcome setting up problems. Workshops who experience difficulty in gear change or stiffness in operation are advised to shorten transfer box control rods in accordance with this instruction.

APPLICABILITY

2 Truck 4 tonne, 4x4 Bedford MJ (all variants).

IMPLEMENTATION

3 Detail

3.1 Remove the existing transfer box control rods.

3.2 Decrease lengths of transfer box control rods by 1/2 in.

3.3 Drill transfer box control rods to increase its depth by 3/4 in. and retap to existing thread 3/8 in. 24 UNF.

3.4 Refit transfer box control rods and adjust to give smooth operation.

TRUCK, 4 TONNE, 4x4, BEDFORD MJ (ALL VARIANTS)

GENERAL INSTRUCTION NO 13

Sponsor:
DGEME(A)

Publications Authority:
Vehs & Wpns Br REME
Project No: 71312 (155)
File ref: 0736/58

AMENDMENT RECORD

Amdt	Incorporated by	Date	Amdt	Incorporated by	Date
1			4		
2			5		
3			6		

SUBJECT: Front brake drums cracking

INTRODUCTION

1 Cases have been reported of front brake drums cracking around the circumference and through the jack off holes caused by a tight fit on the hub. Design changes are being implemented on production. For in service vehicles the following procedure should be adopted when the brake drum requires removal.

APPLICABILITY

2 Truck, 4 Tonne, 4x4, Bedford MJ (all variants) held by user units.

IMPLEMENTATION

3

3.1 Remove the brake drums, DO NOT USE THE JACK OFF HOLES IF THE DRUM PROVES DIFFICULT TO REMOVE. Refer to AESP 2320-H-100-522, Chapter 6, Pages 3 and 4, Para 17-21, for hub and drum assembly removal and separate by allowing the assembly to impact on the drum rim.

3.2 Thoroughly clean the drum I.D. where it registers on the hub.

3.3 Thoroughly clean the hub in the area referred to in 3.2.

3.4 Refit the hub (if removed in para 3.1).

3.5 Check the fit of the brake drum on the hub, it should slide fully home with the minimum of effort. If this is not the case remove sufficient material from the drum I.D. to facilitate an easy fit.

3.6 Smear anti-seize compound on the hub register and refit the drum.

Note ...

Anti-seize compound - "Copper Slip"

2 oz tube (H1-8030-99-220-2083)

1 lb tin (H1-8030-99-224-6794)

or

Anti-seize compound - "Copper Crest"

225 gram tube 34B 1835

Ref: AP 1086, fiche 47, Page 7, sub section 34B, item 16.

TRUCK, 4 TONNE, 4x4

BEDFORD MJ, (ALL VARIANTS)

GENERAL INSTRUCTION NO 14

Sponsor:
DGEME(A)

Publications Authority:
Vehicles and weapons Branch REME
Project No: 71312 (172)
File ref: 0736/68

AMENDMENT RECORD

Amdt	Incorporated by	Date	Amdt	Incorporated by	Date
1			4		
2			5		
3			6		

SUBJECT: Tachometer Earthing

INTRODUCTION

1 It has been found necessary to fit earthing leads to the tachometer and mounting bracket to prevent radio interference. This instruction gives the necessary detail.

APPLICABILITY

2 Truck, 4 tonne, 4x4, Bedford MJ, FFR Vehicles (VAC 2096-8100).
ERN 82 KD 07 to 82 KD 40 inclusive, held by user units.

IMPLEMENTATION

3 Refer to Fig 1.

3.1 Remove the bolt at position A, clean the area and the bolt, fit one earthing lead and refit the bolt.

3.2 Remove the tachometer mounting nut at position B, clean the area and fit a second earthing lead, refit the nut.

3.3 Remove the bolt on cab bracket at position C, clean the area and bolt, secure both earthing leads and refit the bolt.

3.4 Secure the earthing leads safely using tie wraps.

Earthing leads (MPN 91132738) and tie wraps can be obtained from:

H B D&M, 6 MAG
Vehicles & Weapons Br REME
Chobham Lane
Chertsey
Surrey KT16 0EE

Tel: Chertsey Mil 2214

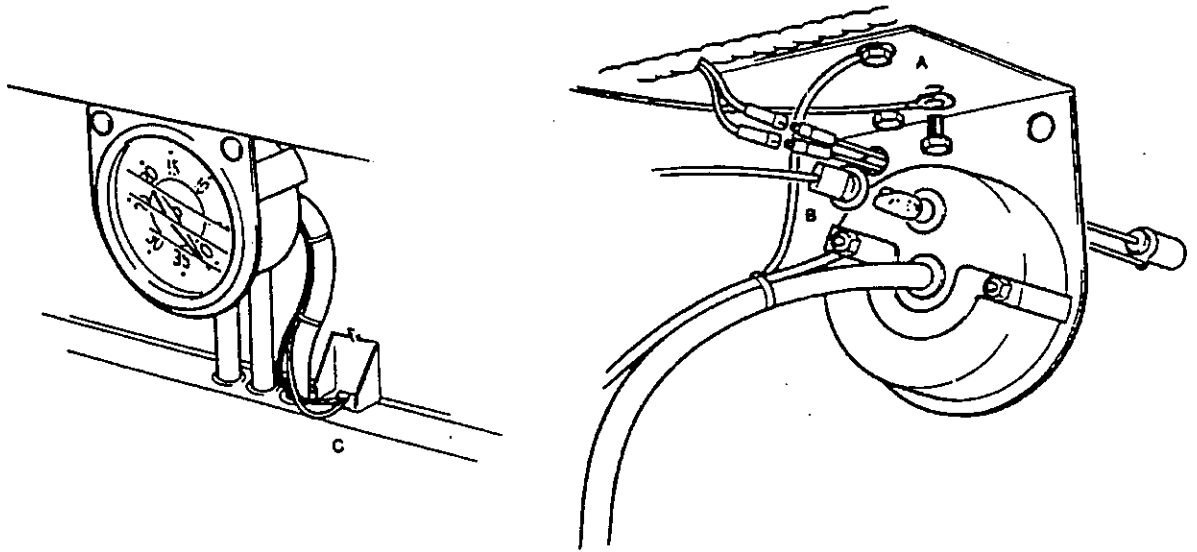


Fig 1 Tachometer Earthing

TRUCK, 4 TONNE, 4x4, BEDFORD MJ

GENERAL INSTRUCTION NO 15

File ref: 0736/76

Vehs & Wpns Br REME
Project No: 71612 (98)

- A STI/Bedford AHC 074
Illuminated Fog lamp switch - melting of the bulb holder.
- B1 Truck, 4 Tonne, Bedford MJ (All variants) fitted with illuminated switch
7BD 5930-99-763-4527.
- 2 Truck, 4 tonne, Bedford MJ (All variants) fitted with illuminated switch
7BD 5930-99-763-4527.
- C Cases have been reported of melted bulb holders within the subject
illuminated switch.
- D1a At the earliest opportunity but no later than 28 days following receipt
of this Instruction.
- 1b (1) To overcome the problem a one watt bulb in place of the 3 watt will
be fitted to all new switches, these will be issued when present stock
is exhausted.
- (2) Units are to ensure that all new and in-service switches are fitted
with a one watt bulb NSN X5 6240-99-995-9811.
- (3) Some specialist applications may have more than one switch fitted,
in these cases the same procedure must be applied to all switches.
- 1c 0.5 man-hour - Veh Mech (Army)/MT Mech/MT Tech (RAF)
- 2a Before issue of vehicles from CVDs.
- 2b N/A

E1 RAF UNITS

Enter detail on instruction index. Record STI/SI number on form AF
G1084A and F4870. In addition report to FORWARD (RAF) using code:

AHC074

Note ...

RAF Units operating STAMA are also to complete ADP MTMS job
Certification Sheet and to follow the procedures laid down in AP
100C-08A. : Unquote.

2 ARMY UNITS

Enter details on instruction index. Record Gen Instr No and action taken in vehicle documents.

F Defect reports are not required.

G1 N/A

2 N/A

H N/A

CONDITIONS OF RELEASE

- 1 This information is released by the UK Government for Defence purposes only.
- 2 This information must be afforded the same degree of security protection as that afforded to information of an equivalent security marking originated by the recipient Government or as required by the recipient Government's security regulations.
- 3 This information may be disclosed only within the Defence Department of the recipient Government, except as otherwise authorized by the Ministry of Defence (Army).
- 4 This information may be subject to privately owned rights.

TRUCK, 4 TONNE, 4 X 4 BEDFORD MJ (ALL VARIANTS)

GENERAL INSTRUCTION NO. 16

CANCELLATION

INTRODUCTION

1 This instruction authorises the cancellation of Gen Instr No. 16, front and rear brake lining material change. It has been superseded by Gen Instr No.21, the introduction of non-asbestos brake shoe materials.

ACTION

- 2 Remove and destroy Gen Instr No. 16, Jul 92, Pages 1 and 2.
- 5 File this instruction in its place for reference.

P00419 (173)
DLO Chertsey

0005/NTRP1008
May 00

**TRUCK CARGO 4 TONNE 4x4
BEDFORD MJ (MT CAB VARIANT)**

GENERAL INSTRUCTION NO. 17

Sponsor:
DGES(A)

Publications Agency:
ATSA Chertsey
Project No: 72212(70)
File ref: 0736/79

AMENDMENT RECORD

Amdt No.	Incorporated By (Signature)	Date
1		
2		
3		

Amdt No.	Incorporated By (Signature)	Date
4		
5		
6		

SUBJECT: Tachometer drive cable.

INTRODUCTION

1 This instruction informs users that when replacement tachometer drive cables l.h.d. variants, fitted with MT cabs, are required, a r.h.d. variant cable should be fitted. All the necessary parts information is provided.

APPLICABILITY

2 Truck Cargo 4 Tonne 4 x 4 Bedford MJ l.h.d. fitted with MT cab and tachometer.

IMPLEMENTATION

3

3.1 Stores to be demanded:

Item No	DMC	NSN/Part No	Designation	Oty per eqpt
1	6MT1	6680-99-833-7449	Tachometer cable	1

3.2 The tachometer cable (item 1) must be routed along the top of the l.h. chassis rail and above the brake fulcrum lever where it can be inserted into the cab through grommets alongside the l.h. 'A' post.

**TRUCK CARGO 4 TONNE 4x4
BEDFORD MJ**

GENERAL INSTRUCTION NO. 18

Sponsor:
DGES(A)

Publications Agency:
ATSA Chertsey
Project No: 72212(73)
File ref: 0736/80

AMENDMENT RECORD

Amdt No.	Incorporated By (Signature)	Date
1		
2		
3		

Amdt No.	Incorporated By (Signature)	Date
4		
5		
6		

SUBJECT: Fitting of fuel sender unit and associated harness
(Approval No. 12-7007)

INTRODUCTION

1 This instruction details the revisions made to the electric fuel sender unit and associated wiring harnesses, fitted in production during the incorporation of the MT Cab and updated fuel/refuelling revisions. Parts details are provided for identification purposes when replacements are deemed necessary.

APPLICABILITY

2 Truck Cargo 4 Tonne 4 x 4 Bedford MJ r.h.d/l.h.d., UBRE and TAR Variants (fitted with MT Cab).

STORES TO BE DEMANDED

3

Item No	DMC	NSN/Part No	Designation	Oty per eqpt
1	7BD	6150-99-859-1844	Harness.	1
2	7BD	2910-99-535-6913	Fuel sender unit.	1
3	MPN	A 4040956	Junction box.	1
4	Z1	5340-99-970-2330	Cable tie	1

IMPLEMENTATION

4

4.1 Fit fuel sender unit (item 2) ensuring the float is fed round the fuel riser pipe and towards the tank filler neck.

4.2 Connect harness (item 1) on sender unit.

- 4.3 Run harness inside the chassis and across the gearbox crossmember to junction box (item 3), securing to the chassis in a chafe free position with equally spaced cable ties (item 4).
- 4.4 Inside the junction box (item 3), connect the black wire from the main cab harness to the black wire of the sender harness and the green/black wire from the main cab harness to the green/black wire of the sender harness.
- 4.5 To test sender unit switch ignition to the 'ON' position, the cab fuel gauge will now indicate the correct fuel level.

**TRUCK CARGO 4 TONNE 4x4,
BEDFORD MJ (ALL VARIANTS)**

GENERAL INSTRUCTION NO. 19

Sponsor:
DGES(A)

Publications Agency:
ATSA Chertsey
Project No: 72212(114)
File ref: 97/52C/4440/014/LVG

AMENDMENT RECORD

Amdt No.	Incorporated By (Signature)	Date
1		
2		
3		

Amdt No.	Incorporated By (Signature)	Date
4		
5		
6		

SUBJECT: Front panel left hand drive (l.h.d.) and right hand drive (r.h.d.)

(Approval No. 12-7013)

INTRODUCTION

1 L.H.D. and r.h.d. front panels with pre-drilled holes for windscreen wipers and washers are no longer supplied. This instruction gives the necessary details to produce either a l.h.d. or r.h.d. variant from the base panel as required, when a replacement panel is deemed necessary.

1.1 Limitations on use of equipment. Nil.

APPLICABILITY

2 Truck Cargo 4 Tonne 4 x 4 Bedford MJ (All Variants).

REASON FOR MODIFICATION

3 The following parts information is provided:

3.1 7BD 2510-99-824-6713 panel front r.h.d. and 7BD 2510-99-762-0120 panel front l.h.d. no longer supplied.

3.2 7BD 2510-99-301-8206 panel l.h.d. and r.h.d.

4 Refer to Fig 1:

4.1 Mark holes as required to suit either l.h.d or r.h.d. variant.

4.2 Using an appropriate drill, drill pilot holes.

4.3 Drill and file to correct size.

4.4 File location notches to suit.

4.5 Apply rust inhibiting primer to surrounding areas on the underside of panel and paint the front as required.

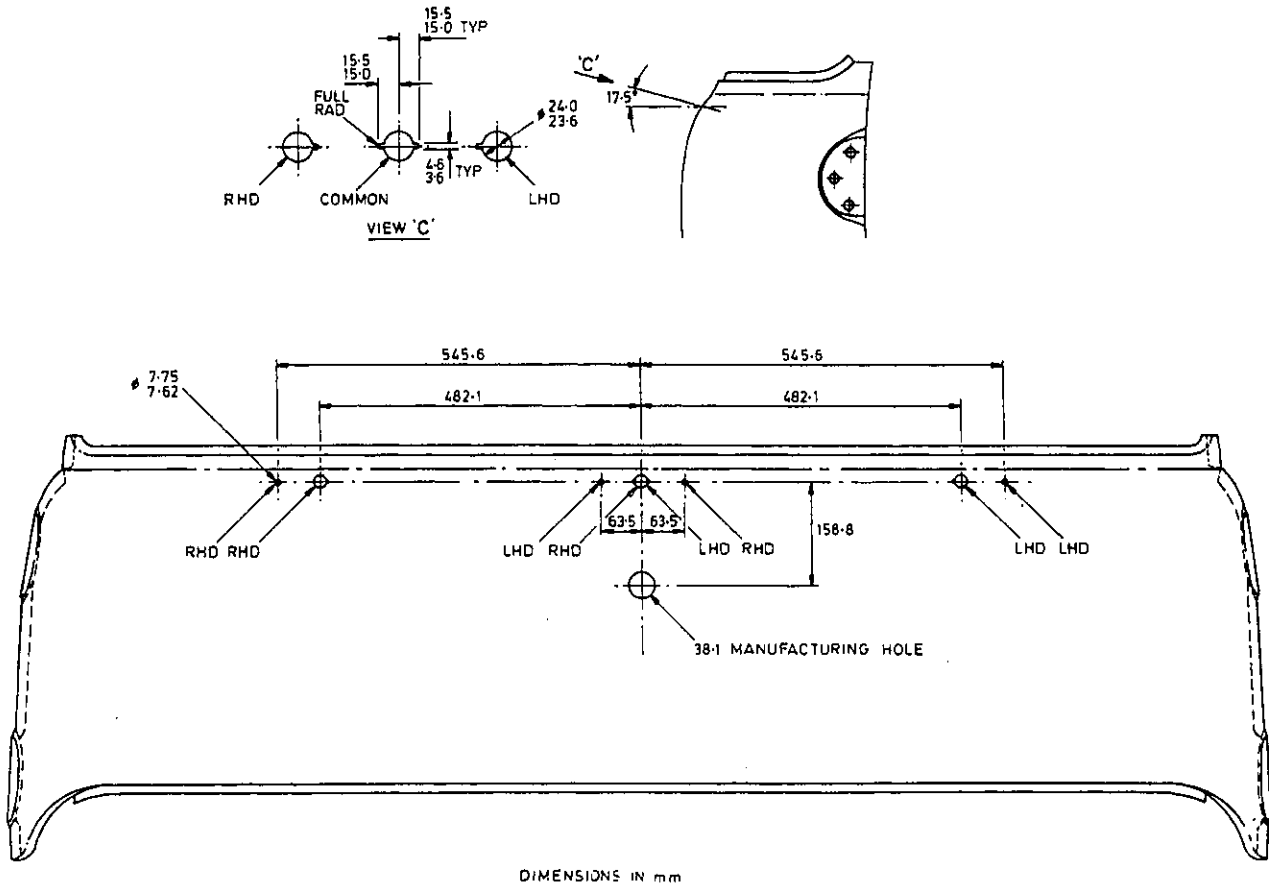


Fig 1 Front panel hole location and size details

TRUCK, 4 TONNE, 4x4 BEDFORD MJ (ALL VARIANTS)

GENERAL INSTRUCTION NO. 20

(Completely revised)

Sponsor: GSV IPT
Project No: PDS 1A/504
File ref: DE/CH/LVG/0736 GSV 8/3

Publication Authority: CTS TD Andover

AMENDMENT RECORD

Amdt No.	Incorporated By (Signature)	Date
1		
2		
3		

Amdt No.	Incorporated By (Signature)	Date
4		
5		
6		

SUBJECT: Instrument cluster.

INTRODUCTION

1 The original instrument cluster is no longer available. A revised assembly has been identified. When instrument cluster replacement is required this instruction provides all the necessary details.

1.1 Limitations on use of equipment. Nil.

APPLICABILITY

2 Truck, Cargo, 4 Tonne, 4 x 4, Bedford MJ (All Variants).

2.1 Fitted to subject vehicles held by user units.

IMPLEMENTATION PLAN

3

3.1 This instruction is to be implemented by units authorized to carry out levels 2, 3 and 4 maintenance.

Action required by

4

4.1 Units and establishments holding equipment:

4.1.1 Obtain the items list in Para 5.

4.2 All recipients of this instruction. Add particulars to AESP 2320-H-100-821 Instr Index.

Stores, tools and equipment

5

5.1 Stores to be demanded:

5.1.1 The following items are to be demanded quoting this instruction as the authority.

5.1.2 Item 9 is to be demanded separately.

Item No	DMC	NSN/Part No	Designation	Qty per eqpt
	6MT1	6680-99-215-8086	Mod set: Speedometer assy comprising:	1
1	6MT1	6680-99-396-1325	Speedometer gauge	(1)
2	6MT1	6680-99-301-9069	Fuel gauge	(1)
3	6MT1	6685-99-616-7799	Temperature gauge	(1)
4	6MT1	6210-99-833-7980	Warning light (amber)	(1)
5	6MT1	6210-99-830-9963	Warning light (green)	(1)
6	6MT1	2590-99-811-6279	Resistor	(1)
7	6MT1	6150-99-726-0150	Socket and loom	(1)
8	6MT1	6240-99-995-9145	Bulb 24 volt	(1)
9	7BD	6680-99-900-1068	Decal speedometer (km/h) scale	(1)

5.2 Stores to be removed and reduce to scrap:

10	6MT1	6680-99-819-5245	Cluster assy	1
----	------	------------------	--------------	---

NOTE

The following stores are interchangeable with both old and new assemblies:

11	6MT4	5930-99-052-1087	Fog light switch	1
12	6MT4	5930-99-372-4384	Panel light switch	1
13	6MT4	5930-99-581-6910	Wiper switch	1

Sequence of operations

6 Carry out this instruction as follows:

NOTE

The item numbers of Para 5 are used as reference throughout this instruction.

6.1 Release instrument cluster (four retaining screws). Disconnect speedometer cable and electrical connections to printed circuit board, fog light, panel light and wiper switches and withdraw the assembly.

- 6.2 Fit decal speedometer (km/h) (item 9) over speedometer gauge (item 1), aligning both km/h and mile/h zeros.
- 6.3 Remove blanking plugs and fix the rear fog light switch, wiper switch and panel light switch in the positions shown in Fig 1.

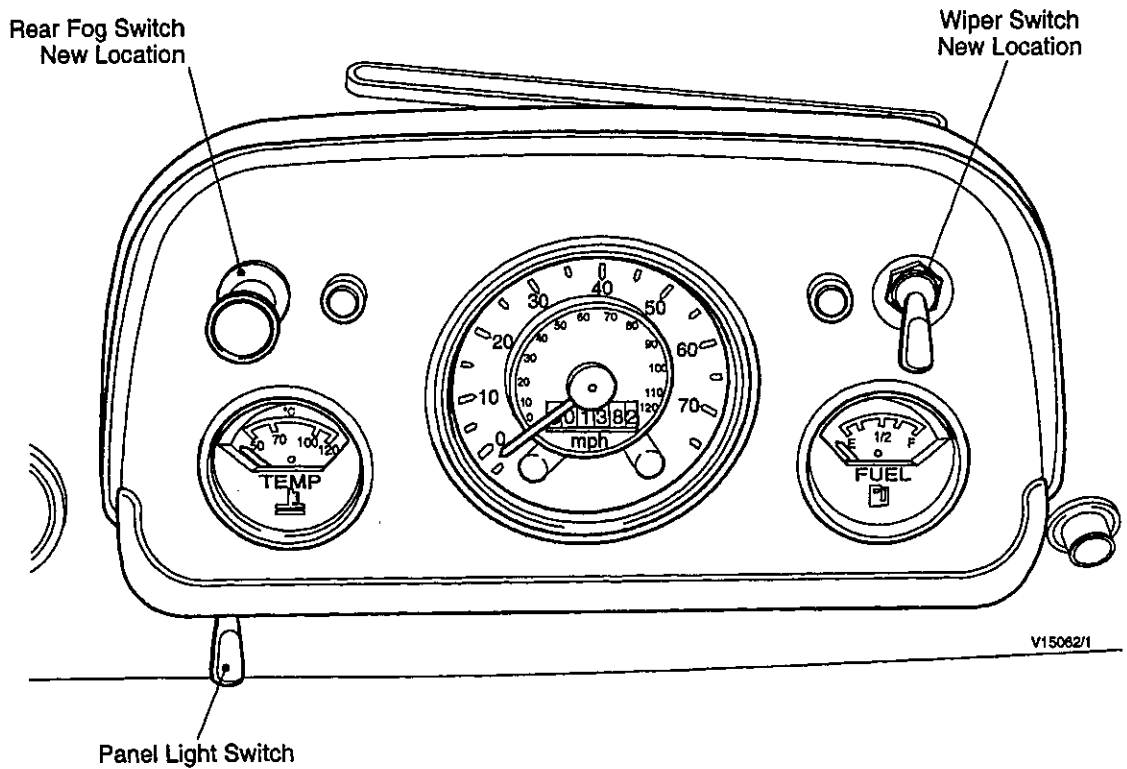


Fig 1 New instrument panel showing new location of switches

TRUCK 4 TONNE 4x4 BEDFORD MJ (ALL VARIANTS)

GENERAL INSTRUCTION NO. 21

Sponsor:
DGES(L)

Publications Agency:
DLO Chertsey
Project No: P00419(174)
File ref: D/DGES(L)/559/5/4/1/ 1

AMENDMENT RECORD

Amdt No.	Incorporated By (Signature)	Date
1		
2		
3		

Amdt No.	Incorporated By (Signature)	Date
4		
5		
6		

SUBJECT: Non asbestos brake shoes

INTRODUCTION

1 To comply with HSE Directive No. ISBN 0 11 885402 X brake linings containing asbestos are no longer to be used.

1.1 Limitations on use of equipment. Nil.

APPLICABILITY

2 Truck Cargo 4 Tonne 4 x 4 Bedford MJ (all Variants).

REASON FOR INSTRUCTION

3 Friction linings that contain asbestos are no longer to be used. Asbestos based brake linings have been superseded by non asbestos type brake linings. Listed below is the new NSN and the superseded NSN for the road brakes and park brake of the subject vehicle.

Old DMC	Old NSN	Description	New DMC	New NSN	New Material
6MT9	2530-99-829-4417	Handbrake set c/w lining	7BD	2530-99-553-7664	Abex 927
6MT9	2530-99-837-8842	Handbrake lining		No longer supplied	
7BD	2530-99-825-1735	Brake shoe c/w lining front	7BD	2530-99-991-7124	Abex 927
7BD	2530-99-813-9910	Lining kit front		No longer supplied	
7BD	2530-99-827-3194	Brake shoe c/w lining rear	7BD	2530-99-179-4866	Abex 927
7BD	2530-99-814-0013	Lining kit rear		No longer supplied	
7BD	2530-99-827-3839	Brake shoe	7BD	2530-99-991-7124	Abex 927

INSPECTION AND REMEDIAL ACTION

4

- 4.1 Abex 927 is recognised by stencilling of lining make/type, BFMC ref, mould No., Billet No. and week/year in black on the unpainted lining edge.
- 4.2 Existing asbestos linings (Capasco HF39) are recognised by the colour code red/black.
- 4.3 Mixing sets of asbestos and non asbestos brake linings on a vehicle is prohibited. Whenever a set of asbestos based brake shoes require changing the whole vehicle set is to be changed to match the new shoe material.
- 4.4 The type of brake lining fitted is to be recorded in the Vehicle Record Book AB 562. If this information is missing it is to be assumed that the vehicle is fitted with asbestos type linings (refer to Para 4.3).
- 4.5 Units using the Direct Repair Scheme (DRS) are to check the AB 562 and confirm the type of lining fitted. If asbestos based linings are fitted then the whole vehicle set of non asbestos linings is required.

RECORDING

5

- 5.1 All recipients of this instruction. Add particulars to AESP 2320-H-100-821 index.
- 5.2 Record Gen Instruction No. and action taken in vehicle documents.
- 5.3 Type of brake lining fitted is to be recorded in the Vehicle Record Book AB 562.

REPORTING

6 N/A.

ACTION AFFECTING COMPLIANCE WITH THE INSTRUCTION

7 EFR reporting action is not required.

EFFECT ON OPERATING OR HANDLING

8 A vehicle having a set of brake shoes that contain a mixed batch of material linings may well have an adverse affect on its braking efficiency and making its brakes severely limited.

TRUCK, 4 TONNE, 4x4 BEDFORD MJ

GENERAL INSTRUCTION NO. 22

Sponsor: GSV IPT
Project No: Task 10
File ref: PDS1A/504

Publications Agency: CTS TD Andover

AMENDMENT RECORD

Amdt No.	Incorporated By (Signature)	Date
1		
2		
3		

Amdt No.	Incorporated By (Signature)	Date
4		
5		
6		

SUBJECT: Hydraulic Pump (CALM Variant).

(Approval No. 12-7047)

INTRODUCTION

1 The original fitted hydraulic pump (EDBRO Model EWH39/29) is no longer available, this instruction details the procedure for fitting the replacement pump (EDBRO Model EBA03440 Part No A6000001). This is only required on failure of the original part, where replacement of the pump would be the normal method of repair.

1.1 Limitations on use of equipment. Nil.

APPLICABILITY

2 All Bedford 4 tonne 4 x 4 fitted with Crane Assembly Lorry Mounted (CALM) as held under asset codes 2037 3102, 2037 8100, 2038 3100, 2038 8100, 2039 3100, 2043 3101, 2094 3100 & 2094 8100.

2.1 Only to be introduced on failure of the old pump assembly.

REASON FOR INSTRUCTION/MODIFICATION

3 Code 5 - to conform to changes in pattern of commercial stores.

PRIORITY

4 Not Applicable

ESTIMATED TIME REQUIRED

5 Embodiment: 16.0 man hours

Testing: 0.5 man hours.

MODIFICATION IMPLEMENTATION PLAN

6

6.1 This instruction is to be implemented only when the existing hydraulic pump assembly requires replacement.

6.2 This instruction may be implemented by units authorised to carry out levels 2, 3 and 4 maintenance.

6.3 Associated instructions. Nil.

6.4 Strike plate action. N/A.

Action required by

7

7.1 Units and establishments holding equipment for repair

7.1.1 If new hydraulic pump is required, demand the stores listed at Para 8.

7.1.2 Carry out this instruction as detailed in Para 9.

7.1.3 After the initial embodiment of this modification, the component parts should be demanded individually. If the hydraulic pump (Item 1) requires replacement, the old assembly should be returned to stores for planned repair.

7.1.4 ARMY — Record the AESP and instruction number in equipment documents.

7.1.5 RAF — Record modification details on AFG 1084A and Form 4870. Units operating STAMA are also to record modification details on ADP MTMS Job Certification Sheet and to follow the procedures laid down in AP100C-08A

7.2 Army units authorised to carry out levels 2, 3 & 4 maintenance

7.2.1 ARMY — When requested by units or during overhaul of equipment on charge without REME 1st Line Support, obtain the items listed in Para 8 and carry out this modification.

7.2.2 N/A

7.2.3 Record completion details of modification against appropriate entry in vehicle documents.

7.2.4 N/A

7.2.5 Enter on engine modification certificate FV148112 Approval.

7.3 All recipients of this instruction. Add particulars to AESP 2320-P-700-821 General Instruction Index.

Stores, tools and equipment

8 Stores to be demanded

8.1 Demand Mod Kit. This Kit comprises:

Item No	DMC	NSN/Part No	Designation	Oty per eqpt
	7BD	2590-99-151-3459	Mod Kit: comprising:	1
1	7BD	4320-99-881-4424	Pump Hydraulic	(1)
2		A6000003	Bracket Pump Mounting	(1)
3		A6000004	Drive Shaft	(1)
4		A6000005	High Pressure Pipe	(1)
5		A6000006	Low Pressure Pipe	(1)
6		A6000007	Converter (Steel Pipe)	(1)
7		A6000008	Dowty Washer (½" pipe)	(1)
8		A6000009	Spigot Adaptor (½" pipe)	(1)
9		A6000010	Clip (½" pipe)	(1)
10		A6000011	Bolt Clamp (½" pipe)	(2)
11		A6000012	'O' ring (Pump)	(1)
12		A6000013	LP Adaptor NR1589	(1)
13		A6000014	Dowty Washer (Pump)	(1)
14		A6000015	HP Adaptor (¾ pipe)	(1)
15		A6000016	90° Elbow (¾ pipe)	(1)
16		A6000017	Clip (¾ pipe)	(3)
17		A6000018	Converter (12 mm)	(1)
18		A6000019	Converter (¾")	(1)
19		A6000020	Grease	A/R

8.2 Stores or suitable alternative to be obtained locally.

Nil.

Sequence of operations

NOTE:

The "item numbers" of para 8 are used as reference throughout this instruction.

CAUTION:

Ensure that the vehicle handbrake is applied and the wheels are chocked before commencing the modification.

9 Replace the hydraulic pump as follows:

9.1 Remove the spare wheel.

9.2 Close the gate valve in the pump low pressure line situated near to the tank.

9.3 Disconnect and remove all the pipes, both steel and flex, from the gate valve to the pump, and from the pump to the 12mm pipe which is the pressure inlet of the hydraulic circuit.

9.4 Remove the pump, bracket and drive shaft.

9.5 Fit the high pressure pipe adapter together with dowty washer (item 7) to the new pump. Smear the low pressure adapter O-ring with grease and position it in its groove in the low pressure adapter. Position the adapter in the recess of the pump low pressure orifice and fit the two securing clamps loosely with the four set-screws.

9.6 Fit the new bracket using M10 x 30 bolts and fit the new pump with the bent axis veering upwards, to the bracket using M12 x 40 bolts and self retaining nuts, as shown in Fig 3.

9.7 Assemble and tighten the new low pressure converter and the spigot adapter together with the dowty washer and connect the assembly to the longest end of the steel pipe which has been removed from the gate valve. Tighten the assembly and pipe together in a vice, and connect the pipe back to its original position on the gate valve. Apply the protective wrap and smear grease into the bore of both ends of the low pressure pipe, slide the bolt clamps onto each end and fit one end of the pipe to the spigot adapter and tighten the bolt clamp. Fit new pipe as per the original but take it up and over the cross-member to which the pump and bracket are fitted and onto the low pressure adapter of the pump as shown in Fig 4. Clip the pipe using the new clip in the same position as the one which was removed from the original pipe, cutting the protective wrap to suit. Position the pipe at the pump LP elbow, tighten the four set-screws to 24Nm and secure the pipe with the bolt clamp.

9.8 Assemble and tighten the new 12mm steel pipe adapter and the metric to BSP converter together in the vice and connect the assembly to the straight end of the high pressure flex pipe and tighten. Apply the protective wrap and fit the pipe's elbowed end to the pump, running the pipe over the cross-members as shown in Fig 3. Feed the pipe along, and up, connecting it to the 12mm steel pipe which is the pressure inlet of hydraulic circuit. Clip the pipes as shown in Fig 5 along its length by picking up the pre-drilled holes in the tops of the cross-members using large surface washers on the bolt heads to utilise the larger holes in the cross-members. It is necessary to drill one 8.5mm hole in the piece of pressed angle positioned near the spare wheel carrier for the front clip to be fitted. Drill the hole 150mm in from the rivet on the off-side which secures the pressed angle to the chassis. Cut the protective wrap at the clip positions to allow their fitment and clip and tighten the pipe in position at both ends ensuring it will not suffer damage, by contact with other components. It may be necessary to put a slight bend in the 12mm steel pipe to ensure the pipes, both steel and flex, are clear at the front end, particularly of the air system pipes.

9.9 Apply the grease, to the splines of the pump drive shaft, and slide the drive coupling onto the splines, ensuring the face where the coupling seal makes contact is clean. Fit the large retaining washer and set-screw and tighten to 65/75 Nm. Fit the adapter plate to the drive flange of the PTO using four of the twelve 3/4" BSW set-screws supplied. Fit the drive shaft as shown in Fig 6 using the remaining eight set-screws and tighten all the twelve to 45Nm.

9.10 Refit the spare wheel.

9.11 Open the gate valve.

TESTING AFTER EMBODIMENT

10 Check for leaks.

10.1 Load Test or arrange for load testing under local Contract arrangements.

EFFECT ON WEIGHT

11 Negligible.

PUBLICATION AMENDMENTS

NOTE:

Necessary amendments will be issued separately.

12 Nil.

Gen Instr No. 22

Page 4

Mar 05

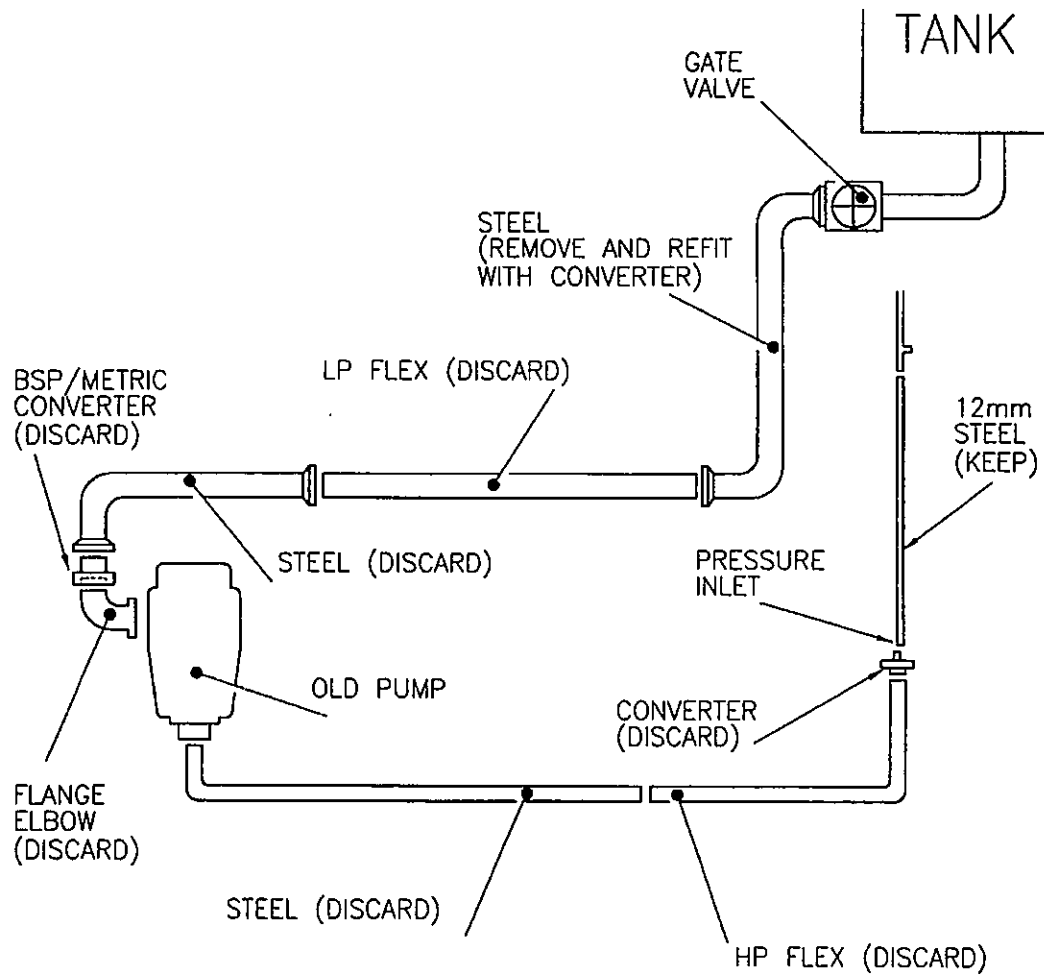


Fig 1 Pump replacement (Equipment Dismantling)

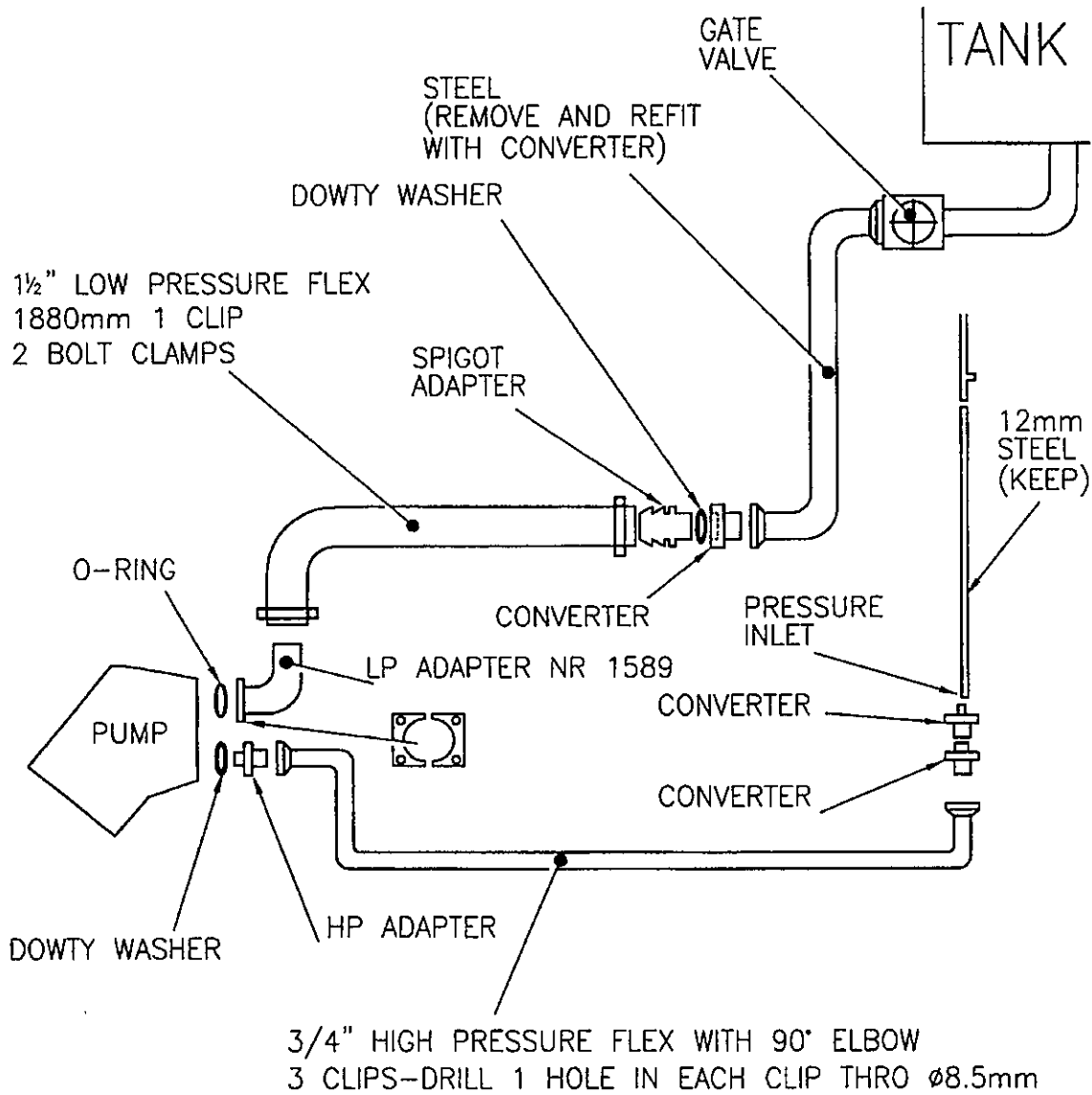


Fig 2 Pump replacement (Equipment Assembly)

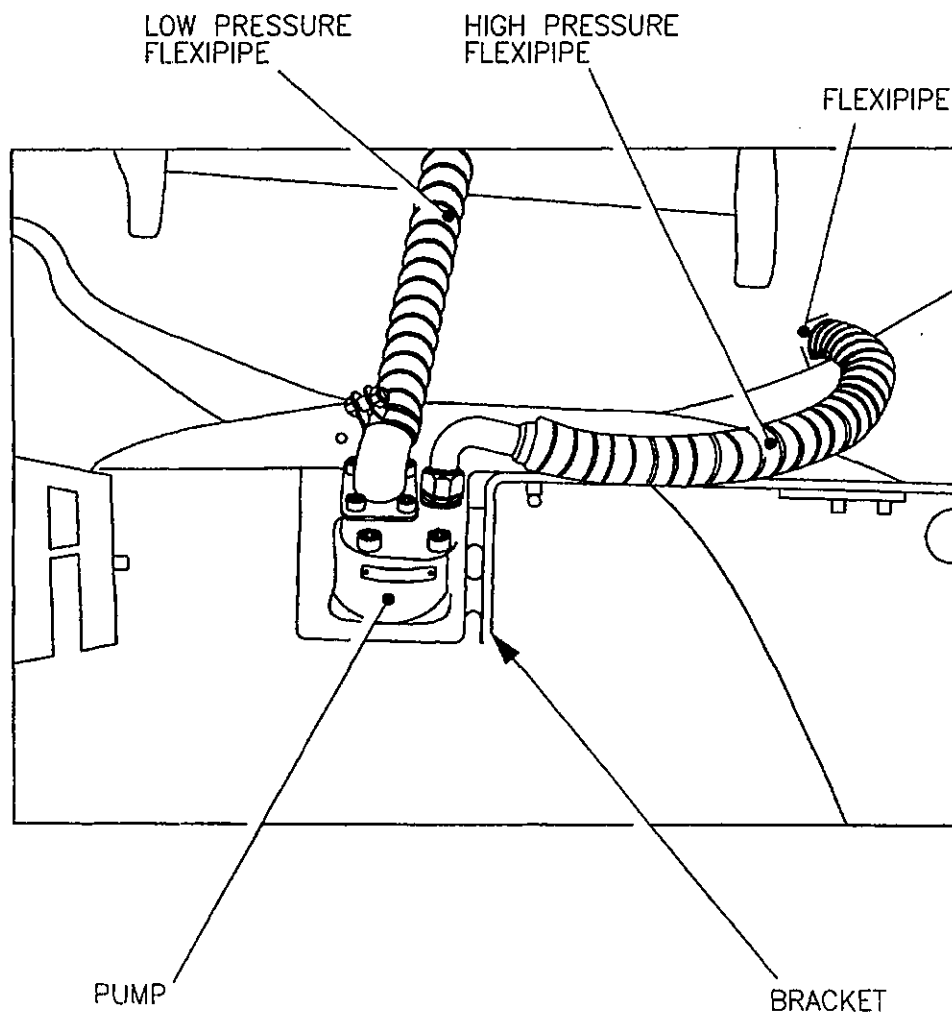


Fig 3 4 x 4 Pump with pipes mounted on bracket viewed from
Rear Axle

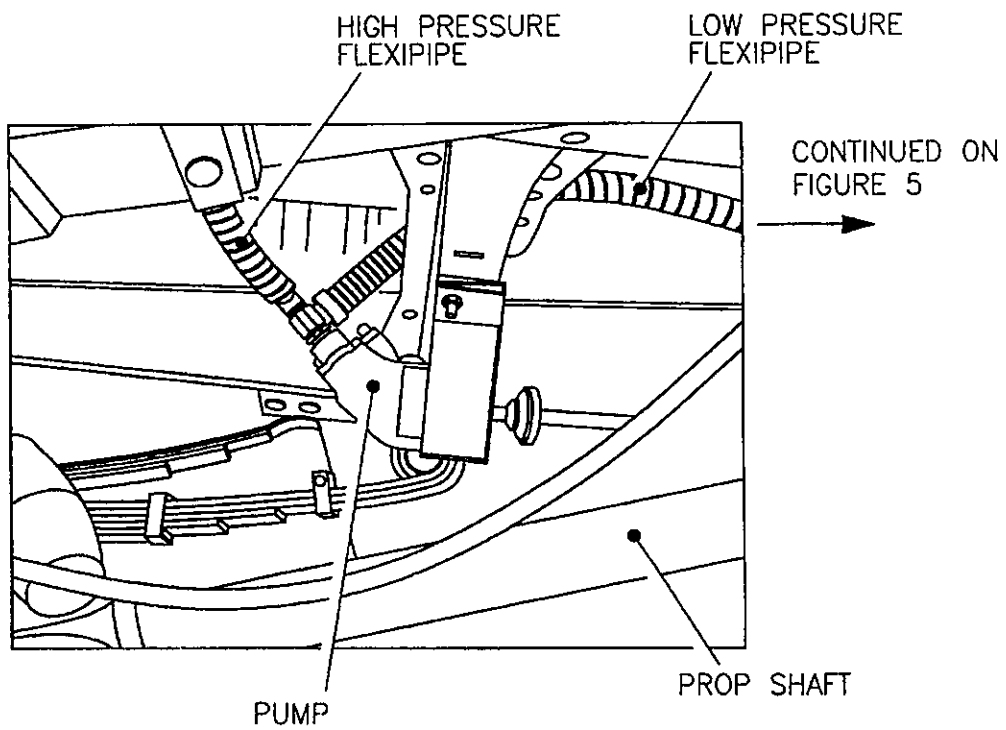


Fig 4 4 x 4 side view of pump and pipes viewed from
RH side just forward of Rear Axle

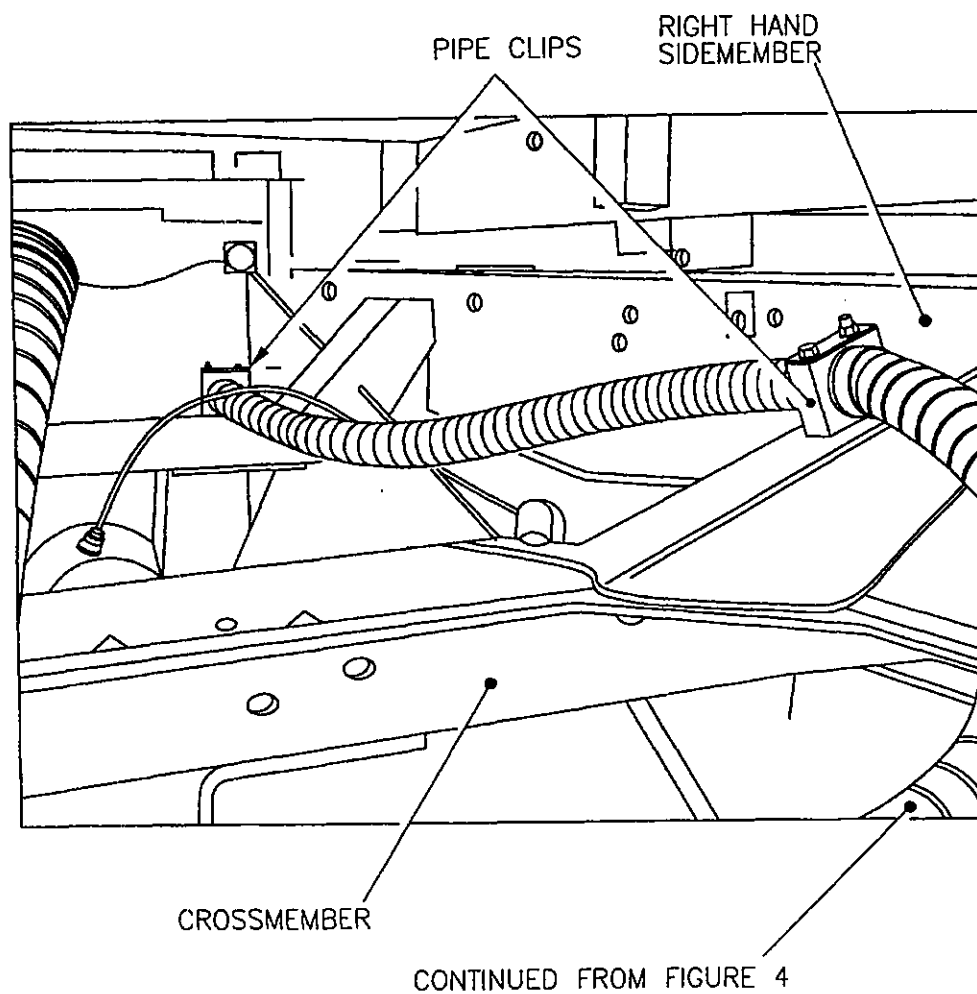


Fig 5 4 x 4 Pump HP Pipe and clips looking towards front of Vehicle

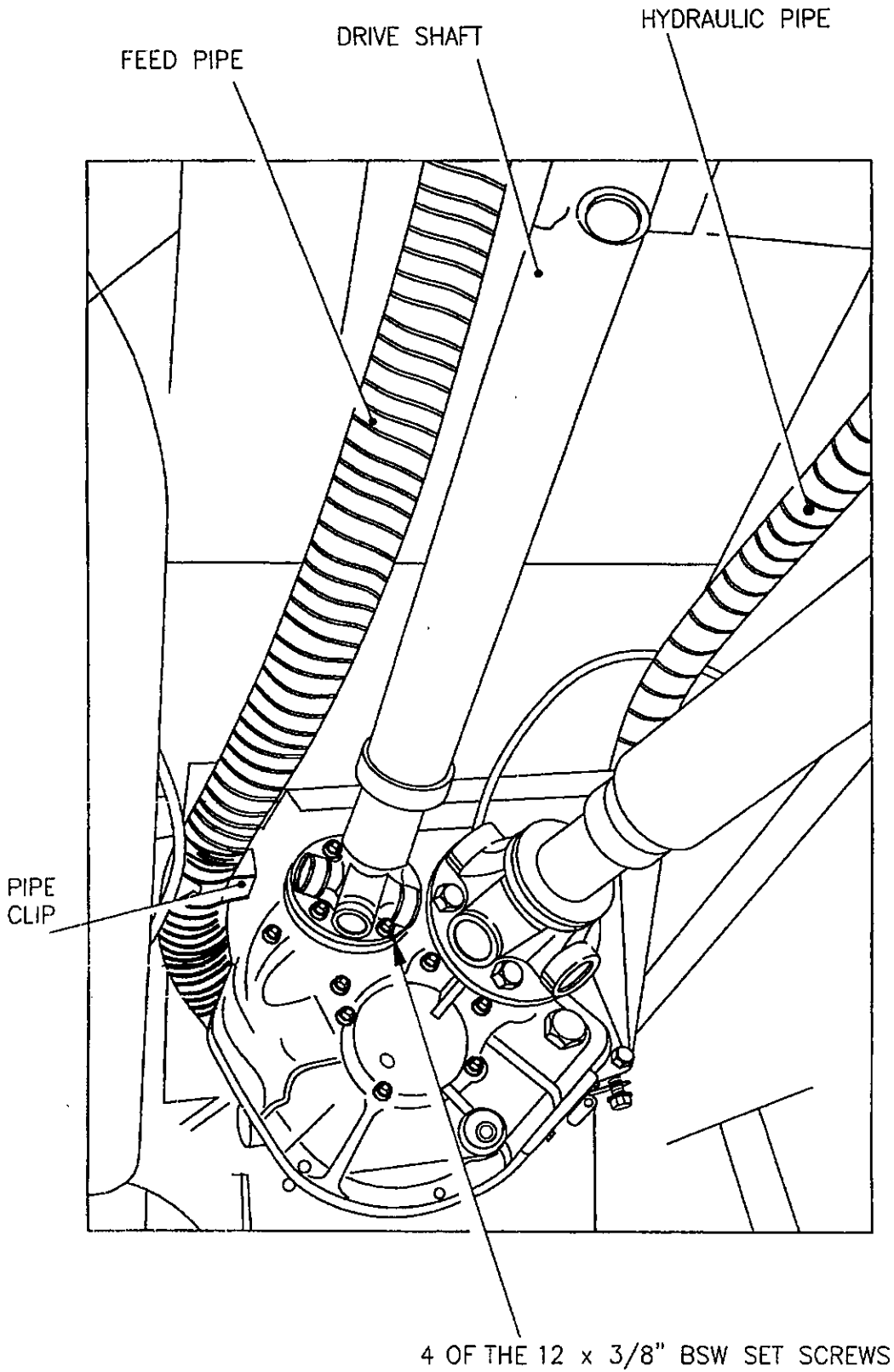


Fig 6 4 x 4 Pump Drive Shaft and feed pipe, looking forward onto back of Gearbox

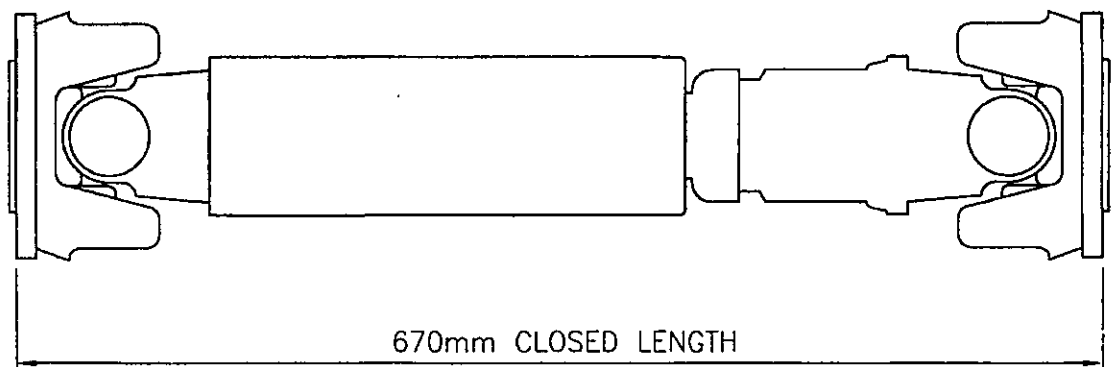


Fig 7 4 x 4 PTO/Pump Drive Shaft (Item 3)

TRUCK 4 TONNE 4 X 4 BEDFORD MJ (ALL VARIANTS)

GENERAL INSTRUCTION No. 23

Sponsor: GSV IPT
Project No.: Task 23
File Ref: PDS 1A/504

Publication Authority: CTS TD Andover

AMENDMENT RECORD

Amdt No.	Incorporated By (Signature)	Date
1		
2		
3		

Amdt No.	Incorporated By (Signature)	Date
4		
5		
6		

SUBJECT: Replacement of Air Cleaner Assembly (Approval No. GSV/04/036)

INTRODUCTION

1 The original fitted Air Cleaner Assembly, is now obsolete and is to be replaced by a new 'M' series Air Cleaner Kit, as and when necessary.

1.1 Limitations on use of equipment. Nil.

APPLICABILITY

2 All Bedford 4 tonne 4 x 4 Trucks (cargo).

2.1 Only to be introduced on failure or wear out of old Air Cleaner.

REASON FOR MODIFICATION

3 Code 5 to conform to changes in pattern of commercial stores.

PRIORITY

4 N/A

ESTIMATED TIME REQUIRED

5

5.2 Embodiment: 2.0 man hours

5.4 Testing: 0.5 hours

MODIFICATION IMPLEMENTATION PLAN

6

6.1 This instruction is to be implemented only when the existing Air Cleaner assembly requires replacement. This instruction is to be implemented by:

6.1.1 ARMY - Units authorised to carry out levels 2, 3 and 4 maintenance.

6.2 Associated instructions. Nil.

6.3 Strike plate action. N/A.

Action required by

7

7.1 Units and establishments holding equipment for repair.

7.1.1 If a new Air Cleaner Assembly is required, demand the stores listed at Para 7.

7.1.2 Carry out this instruction as detailed in Para 8.

7.2 Army units authorized to carry out levels 2, 3 and 4 maintenance and RAF units.

7.2.1 ARMY - When requested by units or during overhaul of equipment on charge without REME 1st Line Support, obtain the items listed in Para 8 and carry out this modification.

7.2.2 Record completion details of modification against appropriate entry in vehicle documents.

7.3 All recipients of this instruction. Add particulars to AESP 2320-H-100-821 General Instruction Index.

Stores, tools and equipment

8

8.1 Stores to be demanded.

8.1.1 The following items are to be demanded.

Item No.	DMC	NSN/Part No.	Designation	Qty per eqpt
	7BD	2945-99-480-8035	Mod set: Air Cleaner Assembly comprising	1
1	7BD	2945-99-407-8678	Cylinder and Filter Assembly	(1)
2	7BD	2945-99-743-2347	Cylinder	(1)
3	7BD	2945-99-773-1849	Filter	(1)
4		A 6000060	Gauge	(1)

5	A 6000061	Kevlar Hose	(1)
6	A 6000062	Bracket	(1)
7	4730-99-533-2969	Jubilee Clip	(1)
8	A 6000064	Bolt	(4)
9	A 6000065	Nut	(4)
10	A 6000066	Washer	(4)
11	A 6000067	Mounting Band	(2)
12	4730-99-420-3152	Jubilee Clip	(1)
13	A 6000069	Support	(2)

8.2 Stores to be removed and reduced to scrap.

Item No.	DMC	NSN/Part No.	Designation	Qty per eqpt
15			Air Cleaner Assembly	1
16		(7972686)	Dust Valve	(1)
17		2940-99-725-5101	Retaining Clip	(1)
18		2940-99-721-4364	Element	(1)
19		(93152047)	Cap	(1)
20		(91032304)	Bracket	(2)
21		2940-99-781-2427	Support	(2)
22		(11013233)	Washer	(4)
23		(120368)	Nut	(4)
24		(91032162)	Hose	(1)
25		4730-99-420-3152	Jubilee Clip	(1)
26		2940-99-807-0264	Jubilee Clip	(1)
27		(91032163)	Hose	
28			Air Cleaner Restrictor Indicator	(1)
29		4720-99-763-6041	Hose	(1)
30			Jubilee Clip	(2)

Sequence of operations**NOTE**

The item numbers of Para 8 are used as reference throughout this instruction.

9 Carry out the instructions as follows.

9.1 The existing engine air cleaner assembly (item 15), and hoses (items 24, 27 & 29) (shown in Figs 1 & 2) may be removed by slackening the jubilee clip (item 30), removing four nuts (item 23), and washers (item 22) clamping the air cleaner assembly to the underside of the parcel shelf. Remove the two supports and brackets (items 21 & 20) and lift away the complete assembly.

9.2 The new engine air cleaner assembly (See Figs 3 & 4) can be fitted as follows:

Assemble the two mounting bands (item 11) to the air cylinder (item 2), adjust and tighten the clamp screws. Locate the four mounting holes in the underside of the parcel shelf vacated by the old air cleaner and align the brackets (item 6) as shown in Fig 3. Locate the four mounting holes from the top of the parcel shelf, align the supports (item 13) as shown and secure with the four bolts, nuts and washers (items 8, 9 & 10). Connect the hose (item 5) using jubilee clip (item 7) to the existing connections vacated by the hose (see item 29, Fig 2) and new cylinder (item 1) using jubilee clip (item 12).

TESTING AFTER EMBODIMENT

10 Run engine and check for leaks.

EFFECT ON WEIGHT

11 Negligible.

PUBLICATION AMENDMENTS**NOTE**

Necessary amendments will be issued separately.

12 Nil.

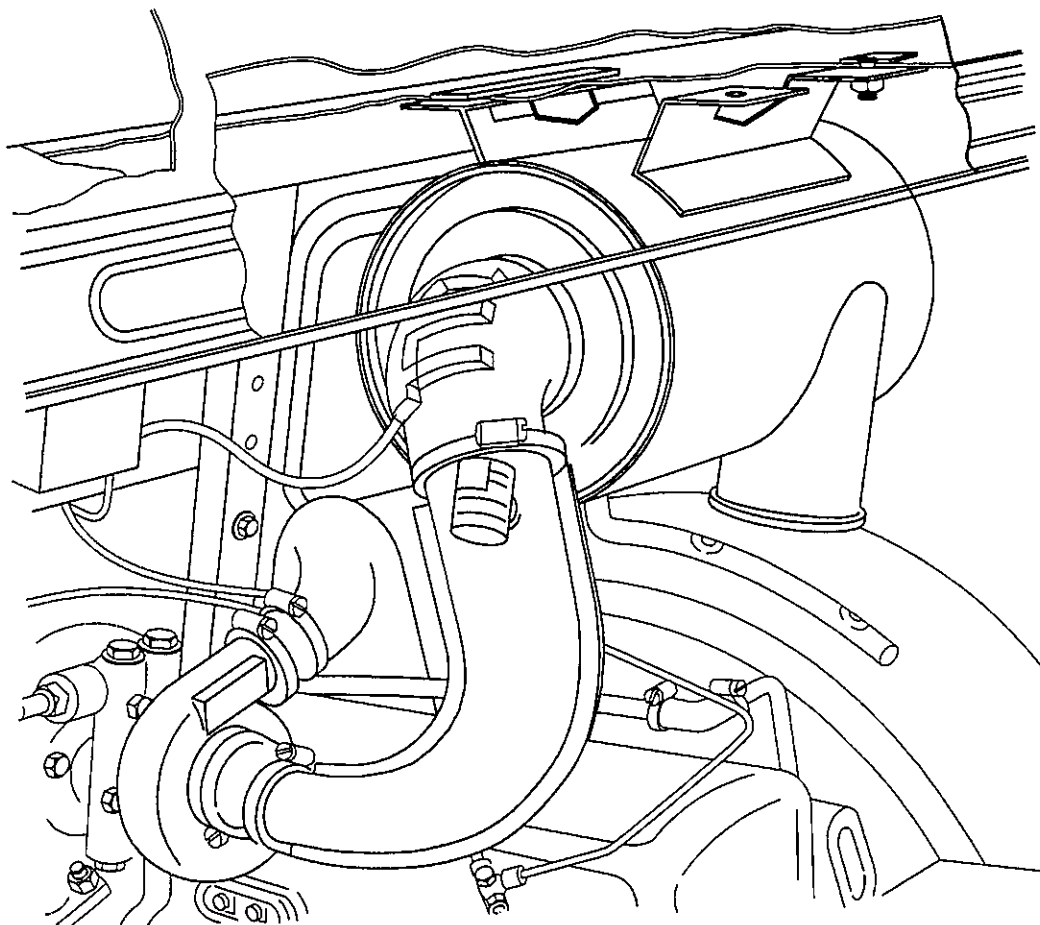


Fig 1 Old Air Cleaner

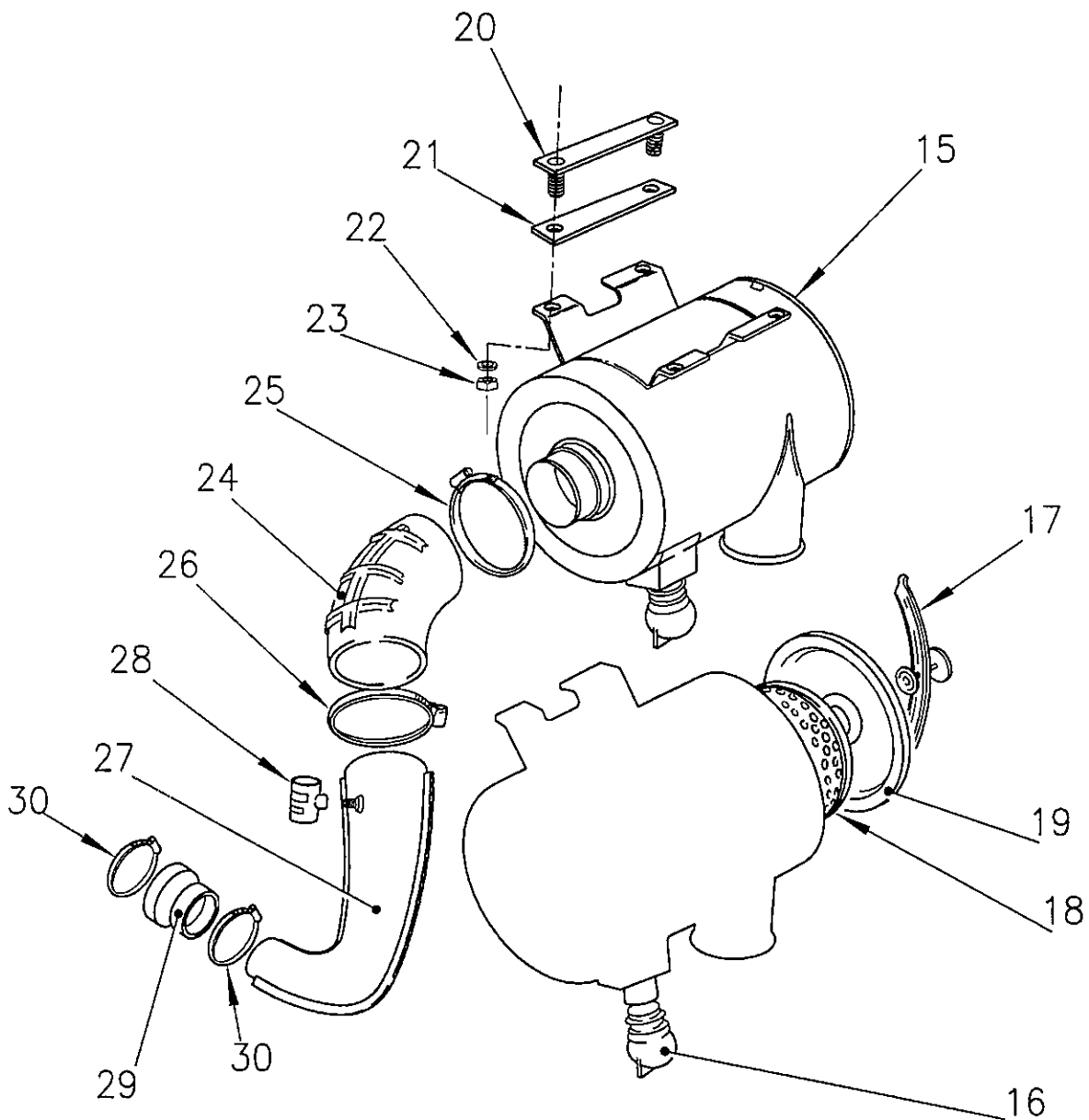


Fig 2 Details of Old Air Cleaner

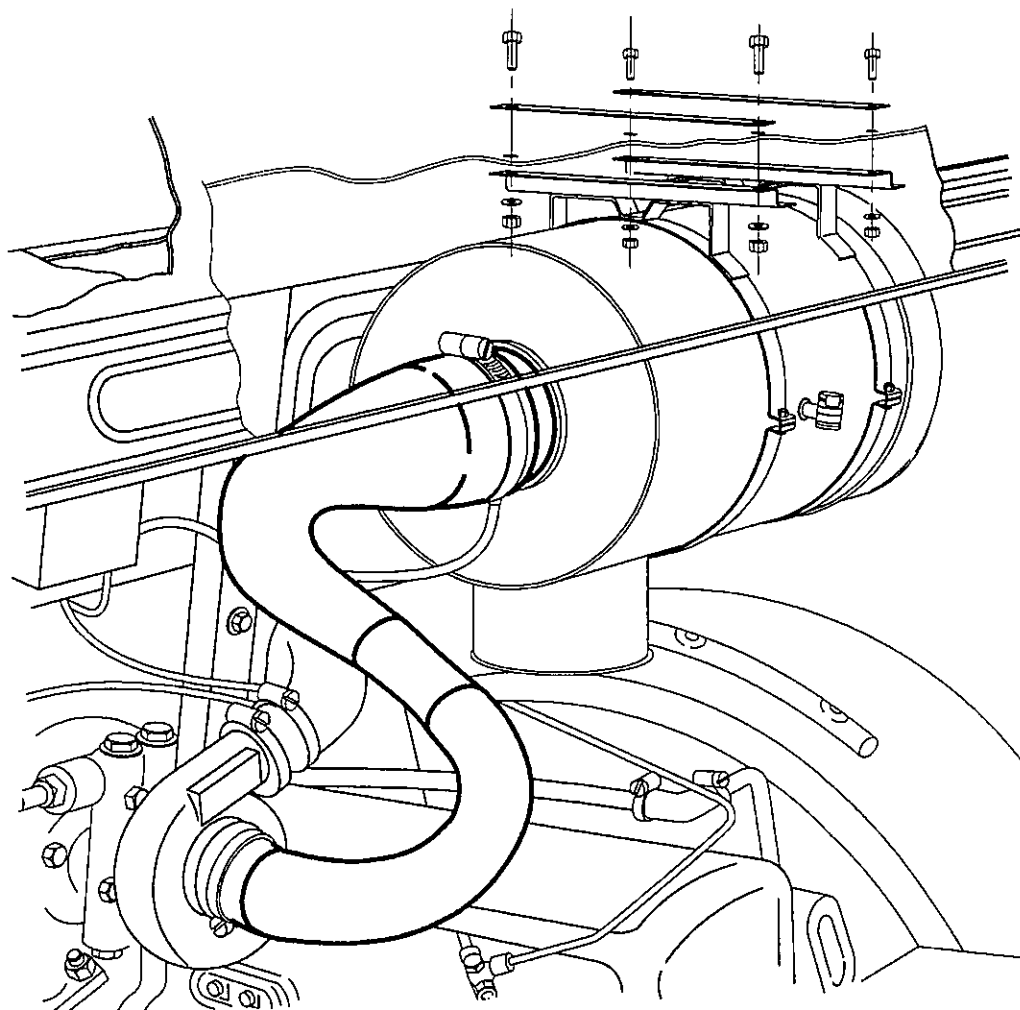


Fig 3 New Air Cleaner

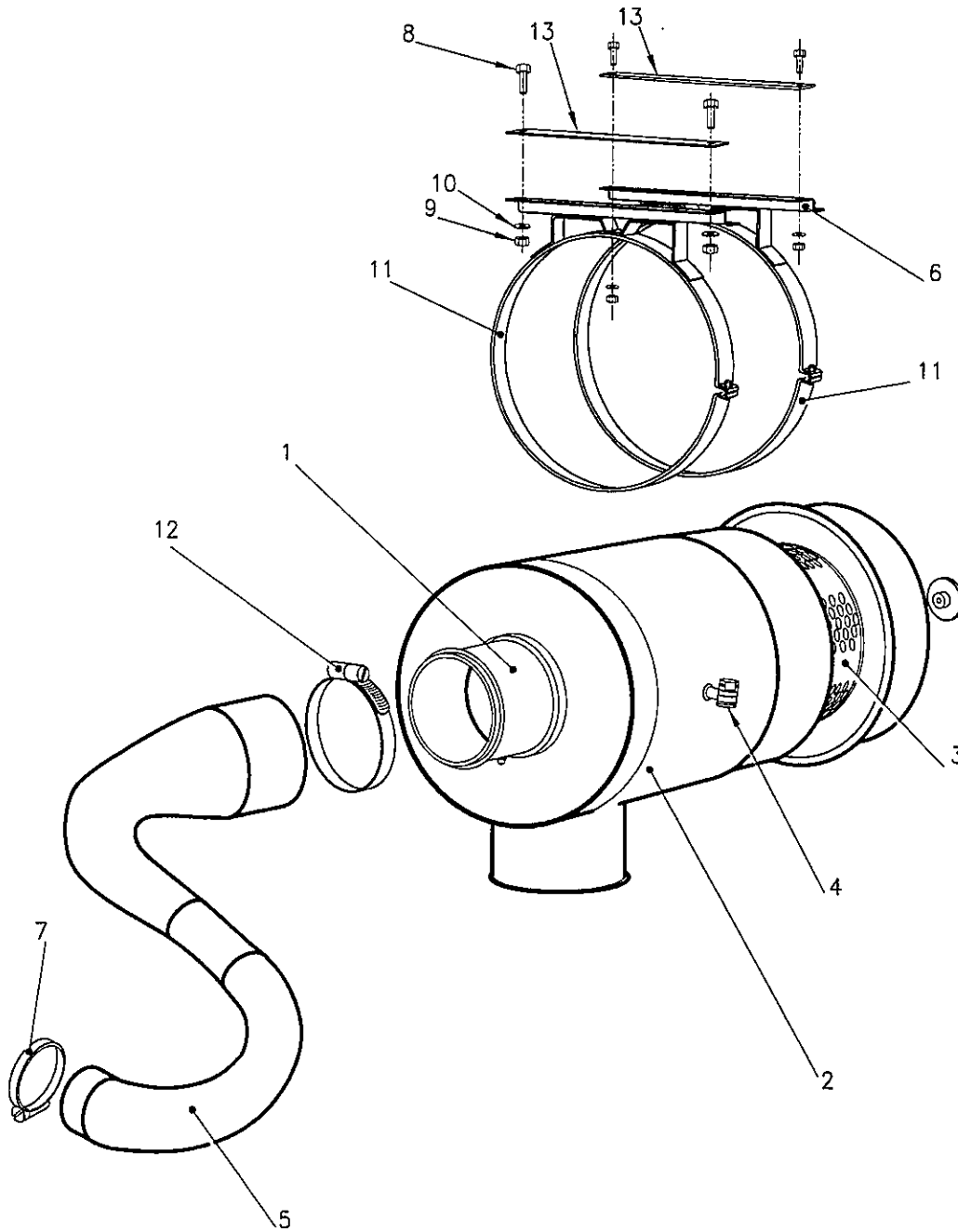


Fig 4 Details of New Air Cleaner

TRUCK 4 TONNE 4 X 4 BEDFORD MJ (ALL VARIANTS)

GENERAL INSTRUCTION No. 24

Sponsor: GSV IPT
Project No.: AU 41
File Ref: PDS GSV2/005

Publication Authority: TES TI Andover

AMENDMENT RECORD

Amdt No.	Incorporated By (Signature)	Date
1		
2		
3		

Amdt No.	Incorporated By (Signature)	Date
4		
5		
6		

SUBJECT: Multi-pin plug connectors

(Approval No. GSV/04/052)

INTRODUCTION

1 The original fitted multi-pin plug connectors for all wiring looms are now unobtainable.

1.1 Limitations on use of equipment. Nil.

APPLICABILITY

2 All Bedford 4 tonne 4 x 4 trucks.

2.1 Only to be introduced when multi-pin plug connector supplies are exhausted.

REASON FOR INTRODUCTION

3 Code 5 - to conform to changes in pattern of commercial stores.

PRIORITY

4 N/A.

ESTIMATED TIME REQUIRED

5 1.5 hrs.

MODIFICATION IMPLEMENTATION PLAN

6

6.1 This instruction is to be implemented by:

6.1.1 ARMY - Units authorized to carry out levels 2, 3 or 4 maintenance.

6.1.2 RAF - Units when required.

6.2 Associated instructions. Nil.

6.3

6.3 Strike plate action: N/A.

Action required by

7

7.1 Units and establishments holding equipment.

7.1.1 Examine equipment documents to see if modification is applicable.

7.1.2 Examine equipment or modification record plate to see if modification is embodied and where necessary Units with 1st Line REME Support demand the stores required.

7.1.3 ARMY - On receipt of stores, request REME to modify equipment.

7.1.4 ARMY - Record the AESP and instruction number in equipment documents.

7.1.5 RAF - Record modification details on AF G1084A and Form 4870. Units operating STAMA are also to record modification details on ADP MTMS Job Certification Sheet and to follow the procedures laid down in AP 100C-08A.

7.2 Army units authorized to carry out levels 2, 3 and 4 maintenance and RAF units.

7.2.1 ARMY - When requested by units or during overhaul of equipment on charge without REME 1st Line Support, obtain the items listed in Para 8 and carry out this modification.

7.2.2 Record completion details of modification against appropriate entry in vehicle documents.

7.2.3 Complete AF G1084A when reporting completion of the modification to FORWARD (RAF) using the following code:

RAF: MODIFICATION CODE: AFC 309

NOTE

RAF units operating STAMA are also to complete ADP MTMS Job Certification Sheet and to follow the procedures laid down in AP 100C-08A.

7.3 All recipients of this instruction. Add particulars to AESP 2320-H-100-821 Gen Instr Index.

Stores, tools and equipment

8

8.1 Stores to be demanded.

8.1.1 The following items are to be demanded quoting this instruction as the authority.

Item No.	DMC	NSN/Part No.	Designation	Qty per eqpt
			Mod set comprising:	1
1	Z37	5940-99-805-0220	Terminal quick disconnect	As required
2	6MT4	5935-99-519-8081	Plug tip	As required
3	Z42	5970-99-947-0584	Plug sleeve	As required

Sequence of operations

NOTE

The item numbers of Para 8 are used as reference throughout this instruction.

9 Carry out this instruction as follows:

9.1 As and when wiring loom multi-pin connectors need replacing, a bullet and plug system (which has an IP rating at least equivalent to the original multi-plugs), must be used. Each connector to be soldered individually.

TESTING AFTER EMBODIMENT

10 The integrity of each connection is to be tested.

EFFECT ON WEIGHT

11 Negligible.

PUBLICATION AMENDMENTS

NOTE

Necessary amendments will be issued separately.

12 Nil.

CONDITIONS OF RELEASE

- 1 This information is released by the UK Government for Defence purposes only.
- 2 This information must be afforded the same degree of protection as that afforded to information of an equivalent security marking originated by the recipient Government or as required by the recipient Government's security regulations.
- 3 This information may be disclosed only within the Defence Department of the recipient Government, except as otherwise authorized by the Ministry of Defence (Army).
- 4 This information may be subject to privately owned rights.

TRUCK, 4 TONNE, 4 X 4, BEDFORD MJ

(ALL VARIANTS)

GENERAL INSTRUCTION NO. 25

CANCELLATION

INTRODUCTION

1 This instruction authorises the cancellation of Category 533 in the Octad 2320-H-100. This category is obsolete.

ACTION

- 2 Remove and destroy all copies of Cat 533 under reference AESP 2320-H-100-821 General Instruction No. 25.
- 3 File this instruction in 2320-H-100-821 for reference.
- 4 Record this instruction in the General Instruction Index in 2320-H-100-821.

FOR OFFICIAL USE ONLY
CROWN COPYRIGHT RESERVED



ENGINE, DIESEL, 6 CYLINDER, BEDFORD, 5.4 LITRES, TURBO-CHARGED

REPRINTED FEB 1993 INCORPORATING AMDT NO 1

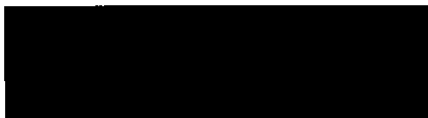
FAILURE DIAGNOSIS

AND

REPAIR INFORMATION

This publication contains information covering the requirements of Category 5, Sub-Categories 1 and 2 at information levels 2, 3 and 4.

BY COMMAND OF THE DEFENCE COUNCIL



Ministry of Defence

Sponsor:

DGEME(A) EME 7b

File ref: D/DGEME/125/8/16 EME7b

Publication Authority:

Vehs & Wpns Br REME

Project No: 7b 1067 (221)

File ref: 7b1067/AESP/N

AMENDMENT RECORD

Amdt	Incorporated by	Date
1		10/7/87
2		
3		
4		
5		
6		
7		
8		
9		
10		
11		
12		
13		
14		
15		
16		
17		
18		
19		
20		
21		
22		
23		
24		
25		
26		
27		
28		
29		
30		
31		

Amdt	Incorporated by	Date
32		
33		
34		
35		
36		
37		
38		
39		
40		
41		
42		
43		
44		
45		
46		
47		
48		
49		
50		
51		
52		
53		
54		
55		
56		
57		
58		
59		
60		
61		
62		

CONTENTS

<u>Preliminary material</u>	<u>Page No</u>
Front leaf	(i)
Amendment record	(ii)
Contents (this list)	(iii)
Preface	
Equipment identification	(vi)
Amendment identification	(vi)
Comments on this publication	(vi)
Associated publications	(vi)

Para

	FAILURE DIAGNOSIS (See Tables 1-4)
	REPAIR INSTRUCTIONS
	Engine
1	Valve timing check
2	Valve clearance adjustment
5	Valve rockers and push rods
15	Cam followers
17	Cylinder head - removal
21	Valves and springs
25	Valve seats and guides
33	Intake manifold
34	Exhaust manifold
37	Crankcase breather and pipes
38	Oil pan
39	Crankshaft pulley
41	Timing cover seal
44	Cylinder head - refacing
48	Injector sleeves
51	Oil pump
60	Camshaft
66	Timing gears
78	Compressor cylinder head - Clayton Dewandre
88	Compressor cylinder head - Bendix
104	Air compressor
135	Timing case
138	Flywheel and ring gear
144	Pistons and connecting rods
162	Crankshaft, main bearings and rear seal
175	Camshaft bearings
179	Cylinder block
185	Turbo-charger (Caution)
	Fuel system
200	Air venting fuel system
206	Fuel feed pump
214	Main fuel filter
216	Thermostart tank
221	Cold starting igniters
225	Fuel injection pipes (Caution)
228	Injectors
231	Fuel injection pump (Caution)
235	Pump timing
236	Idling and maximum speed adjustment

(continued)

CONTENTS (continued)

<u>Para</u>		
	Cooling system	
246	Fan belts	
248	Fan and viscous drive (WARNING)	
252	Water pump	
261	Thermostat and housing	
<u>Tables</u>		<u>Page No</u>
1	Engine failure diagnosis	1-7
2	Turbo-charger failure diagnosis	8
3	Fuel system and exhaust system failure diagnosis	9-12
4	Cooling system failure diagnosis	13-14
5	Special test equipment and tools	15
6	Special test equipment and tools	50
<u>Fig</u>		
1	Valve timing check	16
2	Valve clearance adjustment	17
3	Removing valve rockers and brackets	17
4	Location of oil inlet hole	18
5	Installing valve rockers and brackets	18
6	Oil feed pipe end dimension	18
7	Oil feed hole in cylinder head	18
8	Oil feed pipe securing clip	19
9	Removing push rod cover	19
10	Cylinder head gasket sealer installation	20
11	Cylinder head bolt tightening sequence	20
12	Thickness of valve head	21
13	Depth of valve in head	21
14	Checking valve seat refacing	21
15	Valve guide remover	22
16	Installing valve guide	22
17	Exhaust manifold sealing rings	22
18	Crankcase breathers	23
19	Removing crankshaft pulley	23
20	Installing crankshaft pulley	24
21	Installing timing cover	24
22	Depth of cylinder head	25
23	Removing injector sleeve	25
24	Installing injector sleeve	25
25	Checking clearance between lobe peaks	26
26	Checking clearance between rotor and face of pump body	26
27	Checking clearance between outer rotor and pump body	27
28	Camshaft cap plug	27
29	Removing camshaft gear	28
30	Removing crankshaft gear	28
31	Installing crankshaft gear	28
32	Timing gears	29
33	Installing camshaft gear	29
34	Intake and delivery valves and springs	30
35	Unloader valve	30
36	Removing unloader piston	31
37	Unloader piston and spring	31
38	Cylinder head and valve plate	32
39	Lubricating contact areas	32
40	Inlet and delivery valves	32

(continued)

Oct 83

CONTENTS (continued)

<u>Fig</u>		<u>Page No</u>
41	Compressor securing bolts	33
42	Crankcase side cover removed	33
43	Removing piston pin circlip	34
44	Crankcase and crankshaft, crankshaft removed	34
45	Cut-away view, compressor	34
46	Crankshaft thrust washers	35
47	Assembling cap to connecting rod	35
48	Crankcase bottom cover removed	36
49	Removing piston pin circlip	36
50	Withdrawing crankshaft	36
51	Installing end cover bush	37
52	Assembly of piston rings	37
53	Assembling cap to connecting rod	38
54	Timing case oil seals	38
55	Refacing flywheel	39
56	Installing flywheel ring gear	39
57	Removing piston and connecting rod	39
58	Measuring piston protrusion	40
59	Measuring piston skirt	40
60	Checking piston bores	41
61	Connecting rod bearing bore diameter	41
62	Assembly of piston rings	42
63	Checking crankshaft end float	42
64	Installing crankshaft rear seal in cylinder block	43
65	Installing crankshaft rear seal in cylinder block	43
66	Installing crankshaft rear seal in cylinder block	43
67	Installing crankshaft rear seal in cap	44
68	Installing crankshaft thrust washers	44
69	Installing main bearing cap seal	44
70	Installing camshaft bearing	45
71	Cylinder bore finish	46
72	Removing compressor wheel back plate and oil deflector	46
73	Removing thrust bearing and spacer plate	47
74	Identification plate	47
75	Turbo-charger exploded view	48
76	Installing 'O' ring	49
77	Pre-lubricating turbo-charger bearings	50
78	Fuel injection pump vent screws	51
79	Fuel system sedimenter	51
80	Reassembling sedimenter	52
81	Fuel feed pump marking	52
82	Exploded view of fuel pump	53
83	Installing diaphragm	53
84	Pump cover and valves	53
85	Main fuel filter	54
86	Thermostart tank	54
87	Cold starting igniter	55
88	Damaged injection pump union seating	56
89	Removing injector	57
90	Cleaning injector seat and sleeve	57
91	Injection pump and carrier	58
92	Flywheel timing mask	58
93	Fuel injection pump timing mark	59

(continued)

CONTENTS (continued)

<u>Fig</u>		<u>Page No</u>
94	Idling speed stop screws	59
95	Maximum speed stop screw	59
96	Installing locking wire	60
97	Installing locking wire	60
98	Installing locking wire	60
99	Installing locking wire	61
100	Fan belt adjustment	61
101	Exploded view of fan assembly	62
102	Removing water pump pulley	63
103	Removing circlip	63
104	Pump drain hole	63
105	Pressing shaft and bearing assembly into body	64
106	Installing pulley	64
107	Capillary tube positioning	65/66

PREFACEEQUIPMENT IDENTIFICATION

1	NSN	Engine model
	Various depending on application	5.4 litre (330 in ³) turbo-charged

AMENDMENT IDENTIFICATION

2 Except for manuscript entries, amendments are identified by marginal side lining. Manuscript amendments are identified by Amdt No in outside margin in line with amendment.

COMMENTS ON THIS PUBLICATION

3 Comments on this publication are to be forwarded in accordance with AESP 0100-P-011-013 to Vehicles and Weapons Branch REME, Chobham Lane, Chertsey, Surrey KT16 0EE.

ASSOCIATED PUBLICATIONS

EMER Wksp N 345	Split shell bearings, assembly techniques using Plastigage method
EMER Wksp N 111	Preservation, identification and packaging of assemblies (including engines)
EMER T&M A 028 Chap 010	Non destructive testing methods
EMER Power M 340-9	Fuel injection equipment - fuel injectors
EMER Power M 120-9	Fuel injection equipment - CAV distributor type, fuel injection pumps

FAILURE DIAGNOSIS

TABLE 1 - ENGINE FAILURE DIAGNOSIS

Ser	Fault	Possible causes	Remedy
(1)	(2)	(3)	(4)
1	Low engine oil pressure	Low oil level	Check oil level on dipstick. If necessary top-up with recommended engine oil.
		Incorrect grade of oil	Drain oil pan and renew oil filter elements. Refill with recommended oil.
		Oil pressure warning lamp defective	Check warning lamp, switch and wiring. Rectify as necessary.
		Obstructed oil filter	Check oil ways to filter, clean and renew filter elements as necessary.
		High oil temperature	Check engine coolant flow and aeration.
		Leaking or obstructed oil pump suction pipe or filter screen	Remove oil pan, check screen and suction pipes for leaks or obstruction, rectify as necessary.
		Defective oil pump	Overhaul or renew oil pump.
		Defective bearings and journals	Check and renew as necessary.
		Oil diluted by fuel	Check for correct operating temperature and excessive engine idling periods. Check fuel lift pump diaphragm.
2	High engine oil consumption	High oil level	Check oil level on dipstick. Drain oil pan as necessary.
		Incorrect grade of oil	Drain oil pan and renew oil filter elements. Refill with recommended oil.
		External oil leaks	Inspect engine for external leaks. Check flywheel housing for crankshaft rear oil seal leakage.
		Obstruction of crank-case ventilation	Clean as necessary

(continued)

TABLE 1 - ENGINE FAILURE DIAGNOSIS (continued)

(1)	(2)	(3)	(4)
	High engine oil consumption (contd)	Air compressor passing engine oil into brake air system	Check for oil being released from air system automatic drain valve. Overhaul or renew compressor and clean air system as necessary.
		Intake valve guides worn	Check guides for wear, renew if necessary. Check rocker levers for wear.
		Piston rings, piston and cylinder liners worn.	Overhaul engine.
3	Sludge in oil pan	Water in oil	Check sludge inside oil filters for water content. Place same sludge on a hot surface, if it splutters, check for water leaks from core plugs in cylinder head or block. Check for cracked cylinder head or block.
		Cold engine operation (under full load)	Check for correct operation of thermostats and thermostatic fan. Check for excessive engine idling periods.
		Incorrect grade of oil	Drain oil pan and renew oil filter elements. Refill with recommended oil.
		Oil diluted with fuel	Check for excessive engine idling periods. Check fuel lift pump diaphragm.
		Air intake restricted	Check air cleaner element and trunking. Clean turbo-charger impeller.
		Excessive exhaust back pressure	Check for blocked exhaust system and incorrect pipe bends.
		Defective fuel injectors (excessive exhaust smoke, loss of power)	Clean or renew injectors.
		Poor valve seating (loss of compression)	Remove and overhaul cylinder head.
		Piston rings, pistons and cylinder liners worn (high crankcase compression)	Overhaul engine

(continued)

TABLE 1 - ENGINE FAILURE DIAGNOSIS (continued)

(1)	(2)	(3)	(4)
4	Dilution of engine lubricating oil	Cold engine operation	Check for correct operation of thermostats. Check for excessive engine idling periods.
		Defective fuel injectors (excessive exhaust smoke, loss of power).	Clean or renew injectors.
		Defective fuel injection pump	Overhaul or renew fuel injection pump.
		Weak compression	Check compressions, overhaul cylinder head or cylinder block as necessary.
5	Coolant temperature too low	Excessive engine idling periods	Inform driver that excessive engine idling may cause severe engine damage.
		Faulty thermostats	Check operation of thermostats, renew if necessary.
6	Coolant temperature too high	Insufficient coolant	Top-up coolant level and pressure test for leaks.
		Fan belts require adjustment	Check condition of belts, renew belts if necessary (belts are serviced in matched pairs, if one belt fails both belts must be renewed). Adjust fan belt tension.
		Radiator fins obstructed	Clean dirt, leaves etc. from radiator fins and core.
		Water pump inoperative	Check operation of water pump, renew if necessary.
		Internal obstruction in radiator	Check coolant flow rate, clean radiator and cooling system as necessary.
		Air in cooling system	Check for compression leakage into cooling system. Check and tighten hose connections and gasket flanges.
		Viscous fan drive will not engage	Renew viscous drive unit.

(continued)

TABLE 1 - ENGINE FAILURE DIAGNOSIS (continued)

(1)	(2)	(3)	(4)
7	Coolant system pressurising	Air in cooling system	Check for air pockets in cooling system.
		Suction leakage at water pump and hoses	Check for leaks at water pump gasket and vent hole. Check for perished hoses and loose hose connections.
		Pressure relief valve seized in closed position	Check valve and renew if necessary
		Injector sleeves leaking	Renew injector sleeves and seals.
		Cylinder head casting cracked or porous	Remove cylinder head and pressure check for leaks.
8	Engine fails to start	Insufficient fuel in tank	Refill fuel tank and air vent fuel system.
		Air in fuel system	Check that all joints and unions are air tight. Air vent fuel system.
		Defective engine stop control	Check that stop control is in run position. Check cable is not seized and is correctly adjusted.
		Batteries in a low state of charge or cables and terminals are corroded	Check battery condition, re-charge or renew batteries. Clean or renew cable ends and clean terminals.
		Water in fuel system	Check for water in sedimenter bowl and main fuel filter. Drain fuel tank if necessary.
		Insufficient or no fuel entering fuel injection pump	Check for blocked main filter element and leaks in fuel pipes. Check operation of fuel lift pump.
9	Gradual loss of engine power	Air intake restricted. May be accompanied with excessive exhaust smoke	Check air cleaner element and trunking.
		Main fuel filter restricted	Renew fuel filter element.

(continued)

TABLE 1 - ENGINE FAILURE DIAGNOSIS (continued)

(1)	(2)	(3)	(4)
	Gradual loss of engine power (contd)	Accelerator linkage seized or worn	Check for full accelerator action. Lubricate or renew joints as necessary.
		Defective fuel lift pump	Overhaul or renew fuel lift pump.
		Insufficient engine maximum rev/min	Adjust engine maximum no-load rev/min.
		Defective fuel injectors	Clean or renew injectors.
		Turbo-charger impeller dirty	Clean impeller.
10	Slow deceleration	Accelerator linkage seized	Lubricate joints. Check speed control lever on fuel injection pump, for correct operation.
		Air leak into fuel system	Check seals and gaskets in fuel lift pump, filter and sedimenter. Check fuel pipes for cracks and loose connections.
		Speed control worn on fuel injection pump	Overhaul or renew fuel injection pump.
11	Engine surges at idling speed	Air in fuel system	Check fuel system for leaks. Air vent fuel system.
12	Excessive fuel consumption	Excessive engine idling periods	Inform driver that excessive engine idling increases fuel consumption and may cause engine damage.
		Air intake restricted. May be accompanied with excessive exhaust smoke	Check air cleaner element and trunking for obstruction.
		Defective fuel injectors	Clean or renew injectors.
		Fuel lift pump delivery pressure too high	Overhaul or renew fuel lift pump
		Restriction in exhaust system	Damaged or restricted exhaust can reduce air intake causing low power and high fuel consumption. Check back pressure under full load.

(continued)

TABLE 1 - ENGINE FAILURE DIAGNOSIS (continued)

(1)	(2)	(3)	(4)
13	Excessive exhaust smoke	Air intake restricted May be accompanied with power loss and high fuel consumption	Check air cleaner element and trunking for obstruction.
		Poor fuel	Check fuel for recommended specification, if necessary drain fuel and refill with correct fuel. Air vent fuel system.
		Defective fuel injectors	Overhaul or renew injectors.
		Turbo-charger impeller dirty or bearings worn	Clean or renew turbo-charger.
14	Erratic or intermittent loss of engine power	Air leak into fuel system	Check seals and gaskets in fuel lift pump, filter and sedimenter. Check fuel pipes for cracks and loose connections.
		Floating obstruction in fuel tank	Drain and clean fuel tank. Refill with clean fuel.
		Fuel lift pump delivering insufficient fuel	Repair or renew fuel lift pump.
		Internal lining of fuel suction hose loose or cracked. This may cause an intermittent blockage	This blockage may occur at any time, but is more common when engine is under full load. Check hose carefully and renew as required.
		Seized injector plunger (this will cause a definite misfire)	Renew defective injector.
15	Sudden loss of engine power	No fuel in tank	Refill fuel tank and air vent fuel system.
		Accelerator linkage disconnected	Reconnect and adjust linkage.
		Internal lining of fuel suction hose loose or cracked	Check hose carefully, renew hose as required.

(continued)

TABLE 1 - ENGINE FAILURE DIAGNOSIS (continued)

(1)	(2)	(3)	(4)
	Sudden loss of engine power (contd)	Air leak into fuel system	Check seals and gaskets in fuel lift pump, filter and sedimenter. Check fuel pipes for cracks and loose connections.
Air intake restricted, accompanied by excessive exhaust smoke		Check air cleaner element and trunking for obstruction. Check operation of turbo-charger.	
Seized injectors		Renew injectors, check for water in fuel and correct fuel specification.	
Fuel congealed in extreme cold weather conditions		Incorrect fuel specification in use. Drain and clean fuel system and tank. Refill tank, a fuel suitable for operating at low temperatures must be used.	

TABLE 2 - TURBO-CHARGER FAILURE DIAGNOSIS

Ser (1)	Fault (2)	Possible causes (3)	Remedy (4)
1	Noisy operation or vibration of turbo-charger	Insufficient lubrication to turbo-charger bearings	Check oil pressure to bearings. Clean or renew oil supply pipe. Overhaul turbo-charger.
		Leak in engine intake or exhaust manifolds	Tighten loose connections. Renew manifold gaskets and seals as necessary.
2	Engine will not deliver rated power	Engine fault	Refer to engine diagnostic chart.
		Engine air intake restricted	Check air cleaner element and trunking for obstruction.
		Restriction in exhaust system	Check for restriction or damage in exhaust system.
		Excessive build-up of dirt in compressor wheel or carbon in turbine.	Disassemble and clean turbo-charger. Renew air cleaner element and check for leakage in trunking.
		Leak in engine intake or exhaust manifolds	Tighten loose connections. Renew manifold gaskets and seals as necessary.
		Turbo-charger bearing seized	Overhaul turbo-charger. Check oil supply pressure.

TABLE 3 - FUEL SYSTEM AND EXHAUST SYSTEM FAILURE DIAGNOSIS

CAUTION ...

Before any part of the fuel system is dismantled the surrounding area must be thoroughly cleaned.

Ser	Fault	Possible causes	Remedy
(1)	(2)	(3)	(4)
1	Engine fails to start or is difficult to start	Insufficient fuel in tank	Refill fuel tank and air vent fuel system.
		Defective engine stop control	Check that stop control is in run position. Check cable is not seized and is correctly adjusted.
		Blocked fuel filter	Change main fuel filter element and drain fuel sedimenter bowl. Check that the fuel system does not contain water. In sub-zero temperatures check for ice blockages in fuel system. At very low temperatures it is possible for wax crystals to separate from the fuel and cause a blockage.
		Incorrect cold start procedure is being used	Check cold start procedure.
		Cold start aid inoperative	Check operation of igniters and header tank solenoid. Check that a full supply is available from header tank.
		Defective fuel injection pump drive	Repair as necessary.
2	Engine starts then stops	Insufficient fuel in tank	Refill fuel tank and air vent fuel system.
		Restriction in fuel system	Check for blocked main fuel filter element and leaks in fuel pipes. Check operation of fuel lift pump. Check filler cap pressure relief valve. Air vent fuel system.
		Engine air intake restricted	Check air restriction indicator and if necessary renew air cleaner element. Check turbo-charger for correct operation.

(continued)

TABLE 3 - FUEL SYSTEM AND EXHAUST SYSTEM FAILURE DIAGNOSIS (continued)

(1)	(2)	(3)	(4)
	Engine starts then stops (contd)	Insufficient engine idling rev/min	Adjust engine idling rev/min.
		Check engine condition	Check valve clearances Check valve timing Check cylinder compressions.
3	Incorrect engine idling and maximum speeds	Engine speed control stop incorrectly adjusted	Adjust engine idling and maximum no-load rev/min.
		Engine air intake restricted	Check air restriction indicator and if necessary renew air cleaner element. Check turbo-charger for correct operation.
		Restriction in fuel system	Check for blocked main fuel filter element and for water or dirt in sedimenter bowl. Check for leak in fuel pipes. Air vent fuel system.
		Accelerator linkage seized or worn	Check for full accelerator action. Lubricate or renew joints as necessary.
		Fuel lift pump delivery incorrect amount of fuel	Repair or renew fuel lift pump.
		Defective fuel injectors	Overhaul or renew injectors.
		Check engine condition	Check valve clearances Check valve and injection pump timing Check cylinder compressions.
4	Engine mis-firing and running unevenly	Defective fuel lift pump	Repair or renew fuel lift pump.
		Defective fuel injectors	Overhaul or renew injectors.
		Air in fuel system	Check for leaks and air vent fuel system.
		Check engine condition	Check valve clearances Check idling speed rev/min Check cylinder compressions.

(continued)

TABLE 3 - FUEL SYSTEM AND EXHAUST SYSTEM FAILURE DIAGNOSIS (continued)

(1)	(2)	(3)	(4)
5	Lack of engine power and excessive fuel consumption. (Before checking the following possible causes, ensure that the vehicle is not being operated with loads in excess of its plated weight, and the tyre pressures are correct. Check that the clutch is not slipping and the brakes are not binding).	Incorrect fuel injection pump settings	Check if pump seals have been tampered with, adjust and reseal as necessary.
		Engine air intake restricted	Check air restriction indicator and if necessary renew air cleaner element.
		Restriction in fuel system	Check that fuel lift pump is delivering correct fuel pressure. Check for leaks in fuel system. Check that fuel tank filler cap pressure relief valve is operating correctly.
		Accelerator linkage seized or worn	Check for full accelerator action, adjust if necessary. Lubricate or renew all joints as necessary.
		Restriction in exhaust system	Damaged or restricted exhaust system can reduce air intake causing low power and high fuel consumption. Check back pressure under full load.
		Defective engine stop control	Check that stop control cable is not seized and is correctly adjusted.
		Defective fuel injection equipment	Remove and test injectors. Check fuel injection timing. Overhaul or renew injectors and fuel injection pump as necessary.
		Check engine condition	Check valve clearances Check valve timing Check cylinder compressions
6	Excessive exhaust smoke	Engine air intake restricted	Check air restriction indicator and if necessary renew air cleaner element. Check turbo-charger for correct operation.
		Defective fuel injection equipment	Remove and test injectors. Ensure that the specified type of injectors are used. Check injection pump timing. If injection pump is suspect it must be renewed.

(continued)

TABLE 3 - FUEL SYSTEM AND EXHAUST SYSTEM FAILURE DIAGNOSIS (continued)

(1)	(2)	(3)	(4)
7	Engine surge	Accelerator linkage seized or worn	Check linkage for wear. Lubricate as necessary.
		Air leak into fuel system	Check for leaks and air vent fuel system.
		Speed control on fuel injection pump seized or worn	Repair or renew fuel injection pump.
		Defective fuel injectors	Remove and test injector. Check that specified type are used.
8	Slow deceleration	Accelerator linkage seized or worn	Check linkage for wear. Lubricate as necessary.
		Speed control or fuel injection pump seized or worn	Repair or renew fuel injection pump.
		Restriction in fuel return pipe	Rectify as necessary.

TABLE 4 - COOLING SYSTEM FAILURE DIAGNOSIS

Ser	Fault	Possible causes	Remedy
(1)	(2)	(3)	(4)
1	Engine coolant temperature too high	Viscous fan drive will not engage	Renew viscous drive unit.
		Fan belts require adjustment	Check condition of belts, renew belts if necessary. (Belts are serviced in matched pairs, if one belt fails both belts must be renewed). Adjust fan belt tension.
		Insufficient coolant	Top-up coolant level and check for leaks.
		Thermostat seized in closed position	Check operation of thermostats, renew if necessary.
		Radiator fins obstructed	Clean dirt, leaves etc. from radiator fins and core.
		Water pump inoperative	Check operation of water pump, renew if necessary.
		Internal obstruction in radiator	Check coolant flow rate, clean radiator and cooling system as necessary.
2	Engine coolant temperature too low	Viscous fan drive will not dis-engage	Renew viscous drive unit.
		Temperature gauge showing incorrect reading	Renew temperature gauge or sender unit.
		Thermostats seized in open position or incorrect type in use	Remove thermostats, check operation and renew as necessary.
3	Loss of engine coolant	Damaged hoses or loose connections	Check condition of hoses and security of connections.
		Leaks from radiator	Check for leak from radiator and repair as necessary.
		Water pump leaking	Overhaul or renew water pump.
		'O' rings rear of cylinder head leaking	Remove cylinder head and renew 'O' rings.

(continued)

TABLE 4 - COOLING SYSTEM FAILURE DIAGNOSIS (continued)

(1)	(2)	(3)	(4)
	Loss of engine coolant (contd)	Pressure relief valve defective	Check valve and renew if necessary.
		Injector sleeves leaking	Renew injector sleeves and seals
		Cracked or porous casting. Leaks from core plugs	Check for cracked or porous cylinder head and block. Check core plugs for leaks.

REPAIR INSTRUCTIONS

TABLE 5 - SPECIAL TEST EQUIPMENT AND TOOLS

Ser	Tool No (where applicable)	NSN/Part No (where applicable)	Designation
(1)	(2)	(3)	(4)
1	VR 2059	7BD/5120-99-815-9752	Injector sleeve remover
2	Z 8382	7BD/5120-99-815-4620	Injector sleeve installer
3	VR 2021	7BD/5120-99-811-6794	Camshaft and fuel injection pump drive gear remover
4	VR 2021/7+8		Spacers
5	VR 2032	7BD/5120-99-833-4217	Crankshaft gear remover
6	VR 2005	7BD/5120-99-828-6734	Crankshaft gear and pulley installer
7	Z 8467	7BD/5120-99-828-6731	Camshaft and fuel injection pump drive gear installer
8	Z 8385	7BD/5120-99-828-6737	Crankshaft rear seal installer
9	VR 2027	7BD/5120-99-810-8175	Main bearing cap seal installer
10	D 1031	7BD/4910-99-430-5587	Valve adjuster
11	Z 8378	7BD/5120-99-828-6742	Valve guide remover
12	Z 8562	7BD/5120-99-811-6791	Valve guide installer
13	VR 2145	7BD/5120-99-828-6735	Crankshaft pulley remover
14	KM 2048	7BD/5120-99-836-3234	Timing cover aligner
15	D 1122	7BD/5120-99-801-4103	Injector remover
16	Z 8381	7BD/5120-99-401-9945	Cleaner injector seat and sleeve

Vehs & Wpns Br 71011(145)

D045-02-2307.1
Aug 85 (Amdt 1)

VALVE TIMING CHECK

1 Valve timing can be checked by the following method, without removing timing case.

1.1 Remove the flywheel underpan and mark the flywheel between the 40th and 41st teeth from the U/C mark, counting in the opposite direction of engine rotation.

1.2 Mount a dial gauge over No 1 intake valve (on some engines it is more convenient to use the intake valve of the rear cylinder) with gauge plunger contacting spring cap.

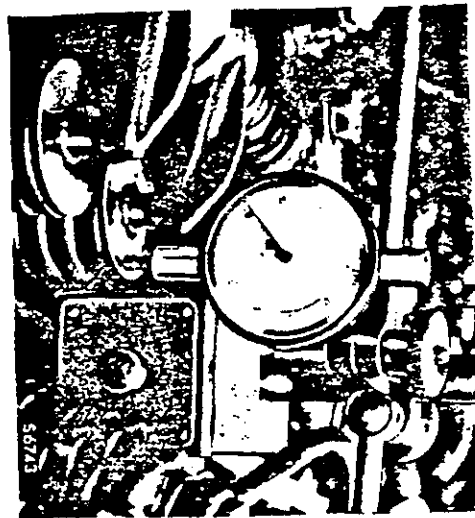


Fig 1 - Valve timing check

1.3 Turn the engine in the normal direction of rotation until, by observing the gauge, the intake valve is seen to be fully open. At this point, the mark made on the flywheel should coincide with the pointer in the timing aperture in the clutch housing. A discrepancy of 4 and 5 teeth on the flywheel ring gear indicates a one tooth error in the valve timing. A discrepancy of between 1 and 4 teeth indicates excessive gear backlash or wear in the keyways of the crankshaft or crankshaft gear, or of the key itself.

VALVE CLEARANCE ADJUSTMENT

2 Whenever the valve rocker gear is disturbed it will be necessary to make a preliminary setting of the valve clearances before cranking the engine. Turn the engine until the valves of No 6 cylinder are in the 'overlap' position, i.e. the exhaust valve about to close and the intake valve just commencing to open. If the adjustment of the valve clearances has been disturbed there is a possibility of a valve head contacting the top of a piston. The engine should therefore be turned slowly to avoid the risk of damage, and if any doubt exists the rocker adjustment screws should be slackened to give adequate clearance. Valve clearances should be 0.35 mm (0.013 in.). Adjust the intake and exhaust valve clearances of No 1 cylinder.

3 Check the remaining valve clearances in the following sequence:

Valve overlap position on:

No 2 cylinder
No 4 cylinder
No 1 cylinder
No 5 cylinder
No 3 cylinder

Adjust valve clearance on:

No 5 cylinder
No 3 cylinder
No 6 cylinder
No 2 cylinder
No 4 cylinder

4 Normal valve clearance adjustment is to be carried out with engine running at 550 rev/min and at operating temperature. Use Adjuster 7BD/4910-99-430-5587 (D1031) to turn adjusting screw.

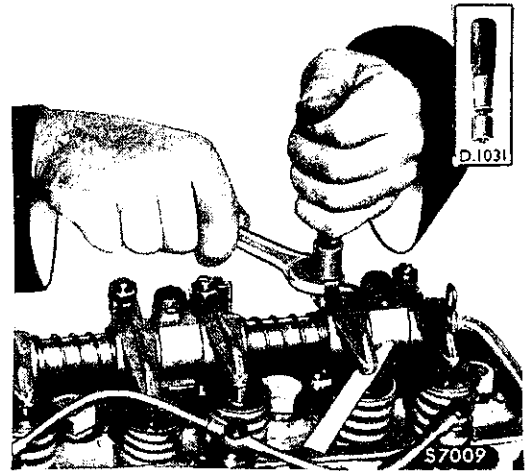


Fig 2 - Valve clearance adjustment

VALVE ROCKERS AND PUSH RODS

Removal

5 To gain access to valve rockers and push rods the rocker cover must first be removed. Rocker shaft assembly may be removed after releasing the rocker shaft bracket bolts.

6 A single push rod may be removed by ensuring corresponding valve is closed and slackening adjusting screw until it is clear of push rod.

7 Individual valve rockers may be removed from the rocker shaft after removing end tension springs.

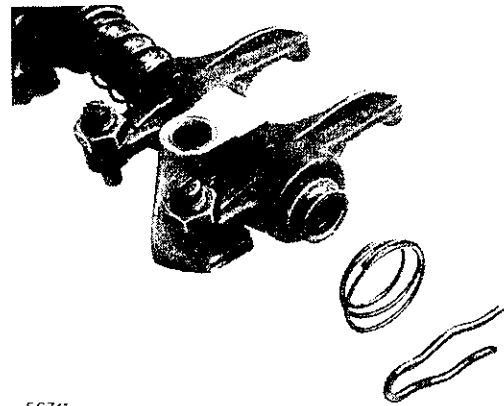
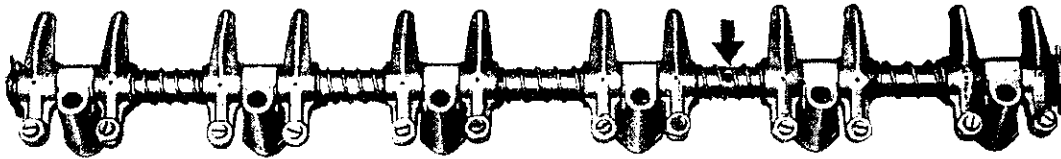


Fig 3 - Removing valve rockers and brackets

Installation

8 Replacement rocker bushes consist of two narrow bushes which should be pressed in from each side of rocker until outer ends are flush. The split in each bush should be to top of rocker. After installation, bushes should be honed to provide 0.022/0.066 mm (0.0009/0.0026 in.) clearance with rocker shaft.

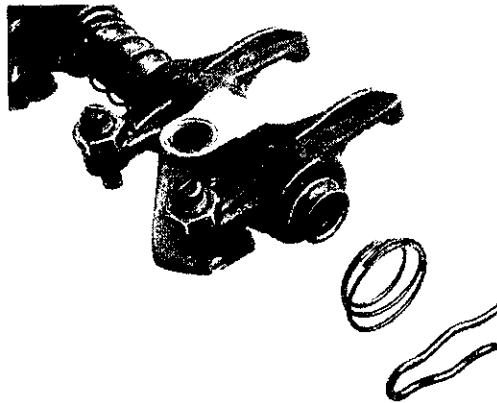


S5301

Fig 4 - Location of oil inlet hole

9 When assembling rockers and brackets to shaft, position shaft oil inlet hole at the top and between Nos 4 and 5 rockers.

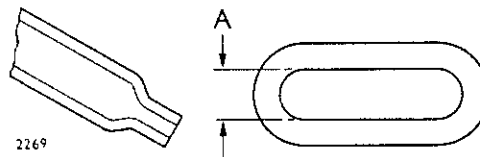
10 Assemble end tension springs on rocker shaft with their wider coils in contact with lock springs.



S6741

Fig 5 - Installing valve rockers and brackets

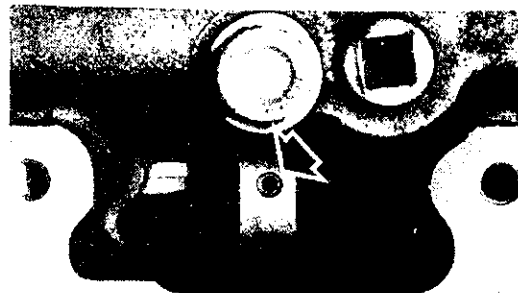
11 To ensure correct oil feed to rockers, check that dimension 'A' in crimped end of oil feed pipe is 0.64 mm (0.025 in.).



2269

Fig 6 - Oil feed pipe end dimension

12 The oil feed pipe is a push fit in a drilling (arrowed).



S7014

Fig 7 - Oil feed hole in cylinder head

13 The peg of the pipe is secured in the rocker shaft by a spring clip.

14 Valve rocker shaft bracket bolts are to be tightened evenly to 58 Nm (43 lbf ft). Adjust valve clearances as described in para 2.

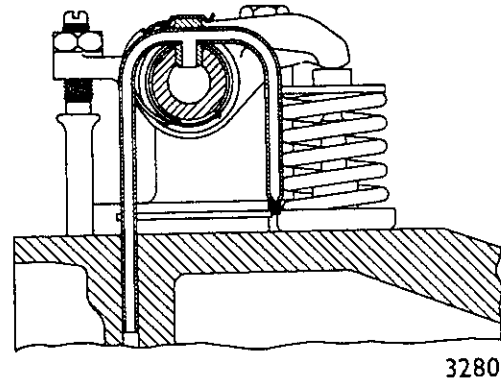


Fig 8 - Oil feed pipe securing clip

CAM FOLLOWERS

Removal

15 Cam followers may be withdrawn after removing rocker gear and push rod cover.

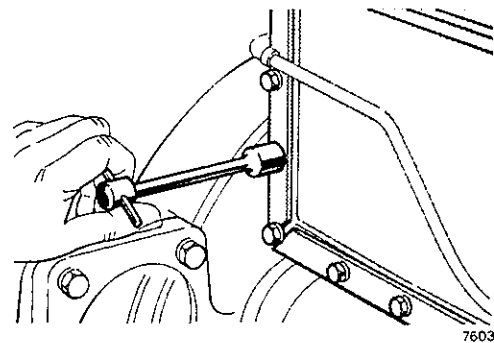


Fig 9 - Removing push rod cover

16 When installing cam followers, lubricate with graphited oil to prevent scuffing on initial starting. When installing push rod cover, smear jointing compound on threads of bolts used to secure cover to cylinder head.

CYLINDER HEAD

Removal

17 The cylinder head is secured to the cylinder block by fourteen bolts. When removing head, do not drag it across locating dowels otherwise gasket face may be irreparably damaged.

Installation

18 Prior to installation, locate new sealing rings in water ports at rear of cylinder block.

19 Cylinder head gaskets should have a pre-applied sealer. However, gaskets without sealer must be installed with a 25 mm (1.00 in.) wide bead of Wellseal to both sides of gasket on rocker shaft side.

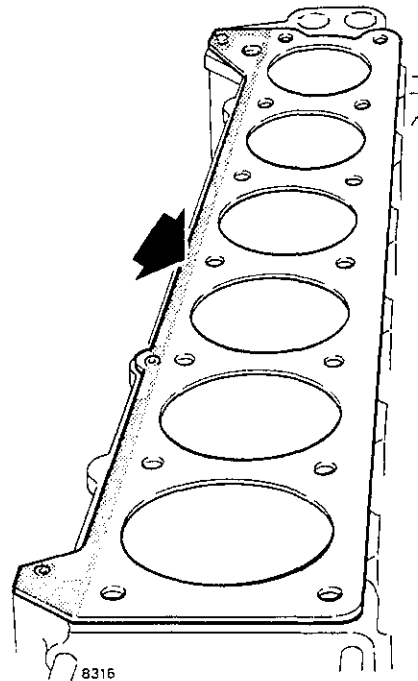


Fig 10 - Cylinder head gasket sealer installation

20 Cylinder head bolts must be tightened gradually and evenly to 260 Nm (192 lbf ft) in the order shown after lightly lubricating threads of bolts with EP gear oil.

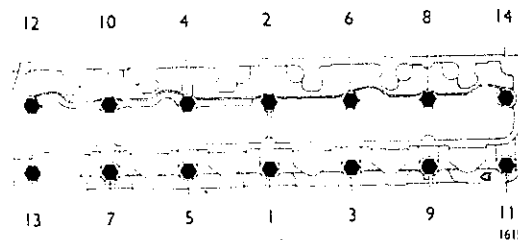


Fig 11 - Cylinder head bolt tightening sequence

VALVES AND SPRINGS

Removal

21 Valves can be removed after compressing springs and removing collets.

22 Renew a valve if thickness of head 'A' after refacing, is below 0.89 mm (0.035 in.).

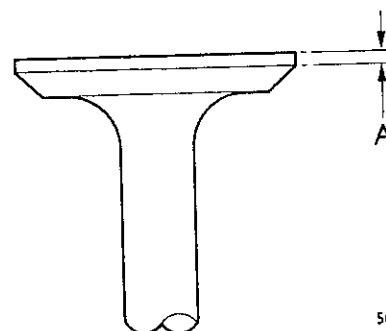


Fig 12 - Thickness of valve head

Installation

23 After installing a new valve, check depth of valve in head. Intake valve should not be less than 0.58 mm (0.023 in.) and exhaust valve 1.04 mm (0.041 in.). If necessary increase valve depth by refacing valve. After refacing, always check thickness of valve as described in para 22.

24 When installing valve, lubricate stems with graphited oil.

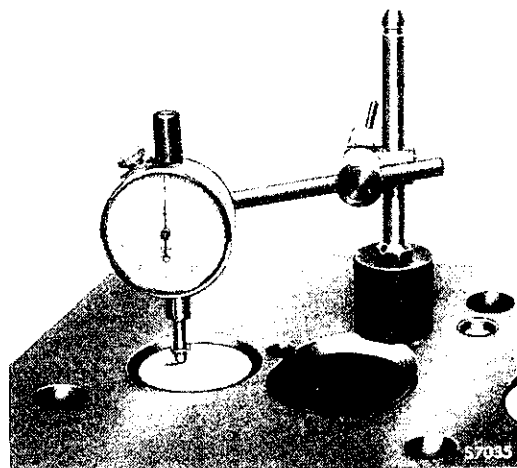


Fig 13 - Depth of valve in head

VALVE SEATS AND GUIDES

25 To check whether sufficient material exists for valve seat refacing without exceeding the specified maximum valve spring assembled height, insert the valve intended to be used in the port being checked and assemble the spring cap and split collars.

26 Pull valve against seat and check dimension 'A' between underside of cap and cylinder head. If height is less than 44.2 mm (1.74 in.) valve seat refacing is permissible.

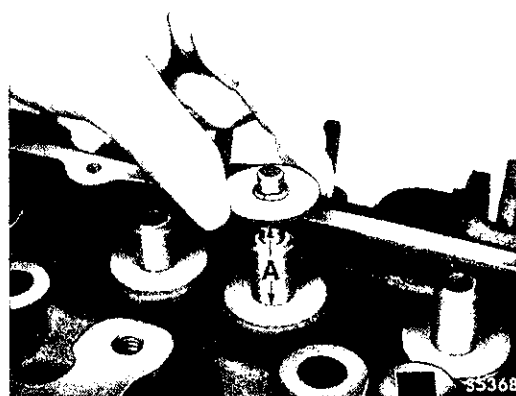


Fig 14 - Checking valve seat refacing

27 If dimension 'A' exceeds specified maximum, repeat check with a valve seat packing washer Part No 6345553, 1.57 mm (0.062 in.) thick assembled over valve guide. If dimension between washer and cap still exceeds specified maximum, cylinder head is unfit for further service.

28 It is not permissible to use more than one washer on a valve.

29 Note position of packing washers which must be installed during head reassembly.

30 When renewing a valve guide, drive out old guide from cylinder head using Remover Z8378.

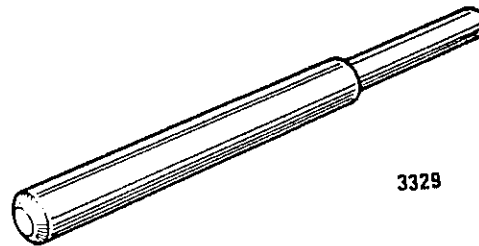


Fig 15 - Valve guide remover

31 Press new valve guide into head to correct depth using Installer Z8562. Installer is double-ended and marked 'IN' and 'EX' for intake and exhaust valve guides respectively.

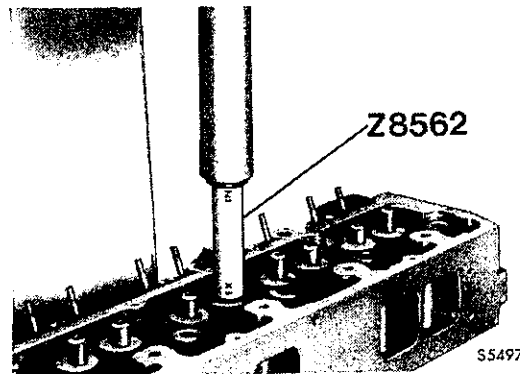


Fig 16 - Installing valve guide

32 Lubricate valve stems with graphited oil.

INTAKE MANIFOLD

33 The intake manifold with gasket is secured to the cylinder head face by twelve bolts, these bolts are to be tightened evenly to 23 Nm (17 lbf ft).

EXHAUST MANIFOLD

34 When assembling the three sections of the exhaust manifold, install two sealing rings to the groove of each outer section with ring gaps (arrowed) diagonally opposite each other.

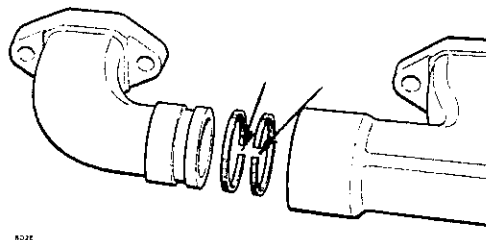


Fig 17 - Exhaust manifold sealing rings

35 When installing exhaust manifold, gaskets must be installed and securing nuts evenly tightened to 40 Nm (30 lbf ft).

36 The turbo-charger, with gasket, is secured to the centre section of the exhaust manifold by four nuts. These nuts are to be tightened evenly to 20 Nm (15 lbf ft).

CRANKCASE BREATHER AND PIPES

37 The crankcase breather is secured to the rocker and push rod covers by jubilee clips, the breather must be open to atmosphere at all times.

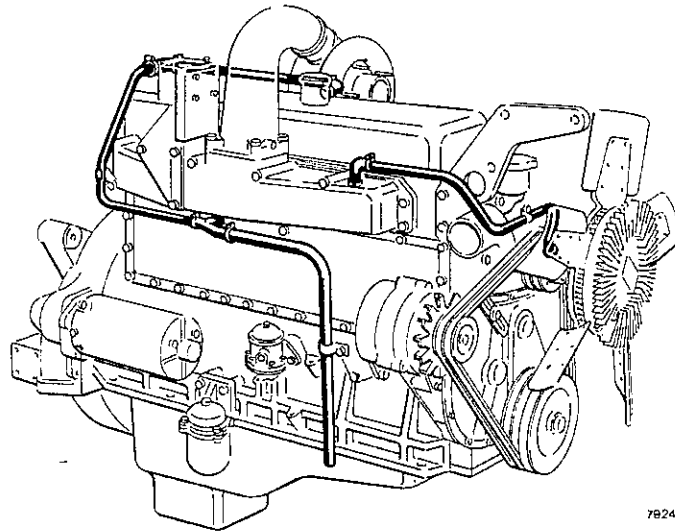


Fig 18 - Crankcase breathers

OIL PAN

Installation

38 Oil pan gasket must be installed dry, and bolts tightened evenly to 13 Nm (10 lbf ft).

CRANKSHAFT PULLEY

Removal

39 Use Remover VR2145 to withdraw crankshaft pulley.

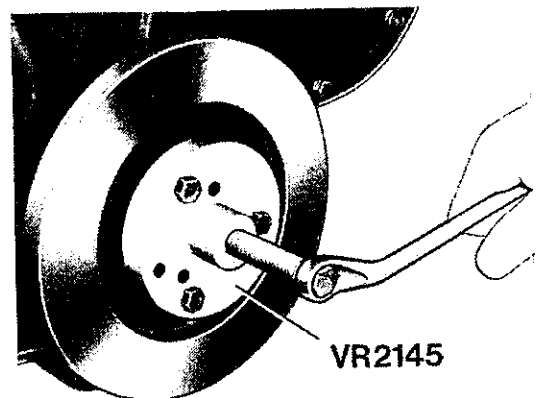
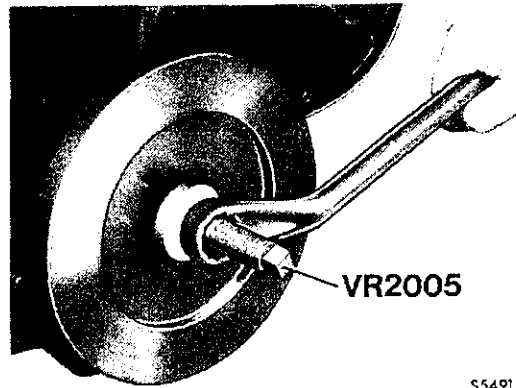


Fig 19 - Removing crankshaft pulley

Installation

40 Smear oil seal land with recommended lubricant before installing pulley with Installer VR2005 and tightening pulley bolt to 88 Nm (138 lbf ft).



S5491

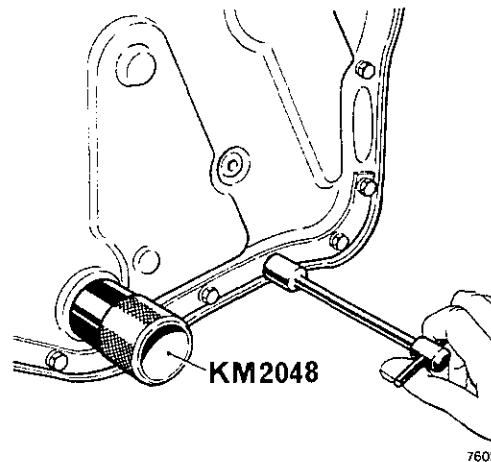
Fig 20 - Installing crankshaft pulley

TIMING COVER SEALRenewal

41 Timing cover must be removed to renew seal after removing crankshaft pulley.

42 Press in new seal, closed side first until seal contacts abutment face in cover.

43 Before tightening cover bolts, locate Aligner KM2048 on crankshaft spigot to engage and align oil seal concentric with pulley land.



7602

Fig 21 - Installing timing cover

CYLINDER HEADRefacing

44 To facilitate removal of cup plug at rear of cylinder head, drive in slightly to break seal and then tap on one side only to tilt plug before removal.

45 On installation smear plug with sealing compound.

46 Cylinder head may be refaced providing depth of head is not reduced below 107.65 mm (4.239 in.) measured at dimension 'A'.

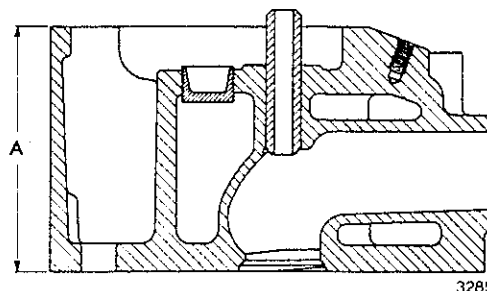


Fig 22 - Depth of cylinder head

47 When refacing head, contact surface must be ground-finished as cutter marks, however small, can be detrimental to gasket life.

INJECTOR SLEEVES

Removal

48 Use Remover 7BD/5120-99-815-9752 (VR2059) to extract an injector sleeve from cylinder head.

49 Cut a thread in sleeve to a depth of approximately 50 mm (2.0 in.) with tap incorporated in tool. Leave tap threaded in sleeve, install thrust block and nut and withdraw sleeve. Remove sealing ring from counterbore in head.

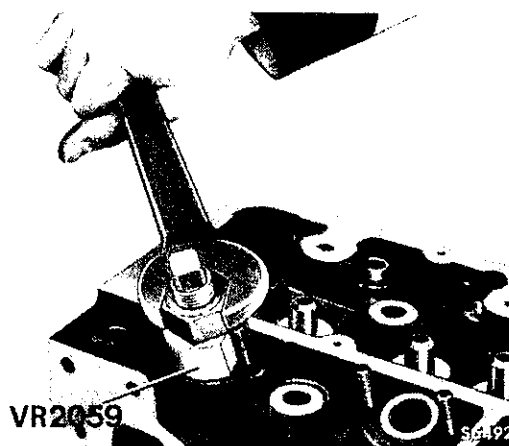


Fig 23 - Removing injector sleeve

Installation

50 Use Installer 7BD/5120-99-811-4620 (Z8382) to drive new injector sleeve fully home after locating a new sealing ring in counterbore.

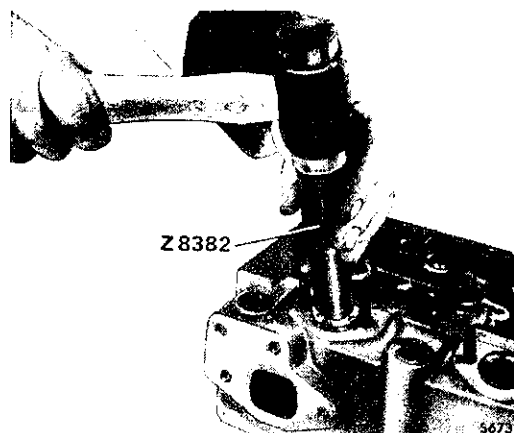


Fig 24 - Installing injector sleeve

OIL PUMP

51 Oil pump may be removed from cylinder block after removing engine oil pan and delivery pipe.

Disassembly

52 When disassembling rotor type pump, mark rotors to identify bottom face for reassembly.

Inspection

53 Check clearance between lobe peaks on inner and outer rotors ensuring they do not exceed 0.25 mm (0.010 in.) maximum.

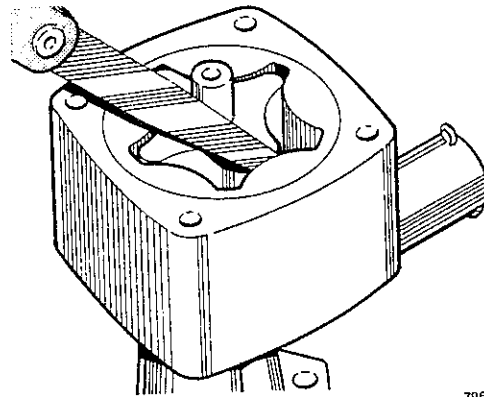


Fig 25 - Checking clearance between lobe peaks

54 Check that clearance between rotors and face of pump body does not exceed 0.13 mm (0.005 in.) maximum.

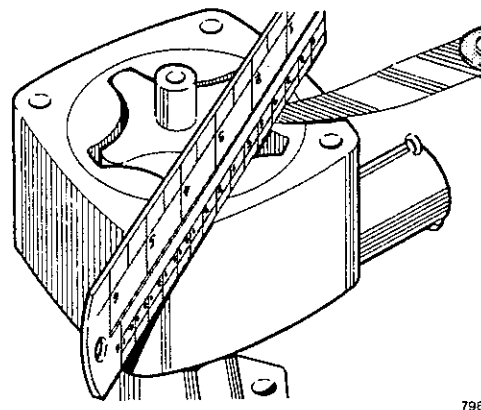


Fig 26 - Checking clearance between rotor and face of pump body

55 Check clearance between pump body and outer rotor ensuring it does not exceed 0.25 mm (0.010 in.) maximum.

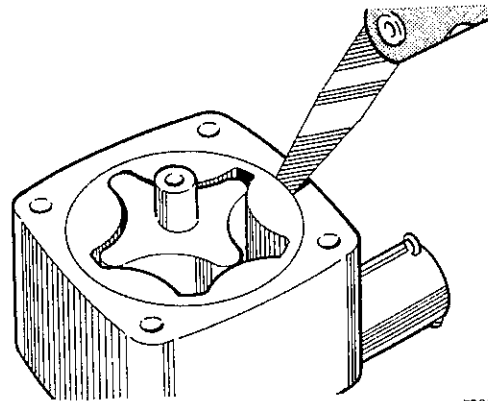


Fig 27 - Checking clearance between outer rotor and pump body

56 On installation ensure that outer rotor is assembled with its chamfered face towards pump body.

Reassembly

57 On reassembly use four tabs only to retain screen.

58 If delivery pipe adaptor is removed from cylinder block, threads must be sealed with Loctite 241 (Nutlock).

59 Tighten oil pump securing bolts to a torque of 22 Nm (16 lbf ft).

CAMSHAFT

Removal

60 The camshaft rear bearing (2) is sealed with a cup plug (1).

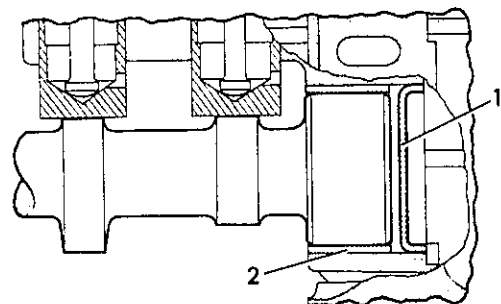


Fig 28 - Camshaft cup plug

61 The camshaft can be withdrawn after removing drive gear, oil pump, tappets and fuel feed pump.

62 For access to tappets remove push rods and side cover.

63 It may be necessary to raise engine slightly to provide clearance for camshaft removal. Withdraw camshaft carefully to avoid damage to bearings in cylinder block.

64 For camshaft bearing renewal, refer to para 175.

65 On reassembly, smear camshaft cams and tappets with graphited oil.

TIMING GEARSRemoval

66 To remove timing gears, crankshaft pulley, fan and timing cover must first be removed.

67 Use Remover VR2021 for removing camshaft and compressor fuel injection pump drive gears in conjunction with Spacers VR2021/7 and 8 for compressor gears with balance weights.

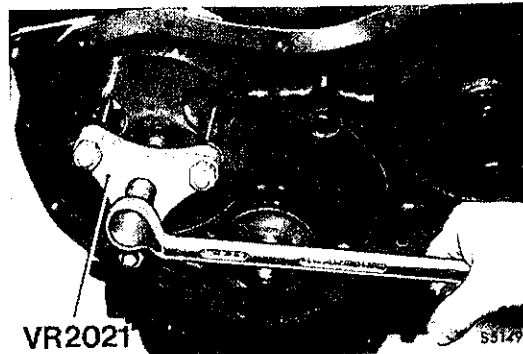


Fig 29 - Removing camshaft gear

68 Use Remover VR2032 for removing crankshaft gear.

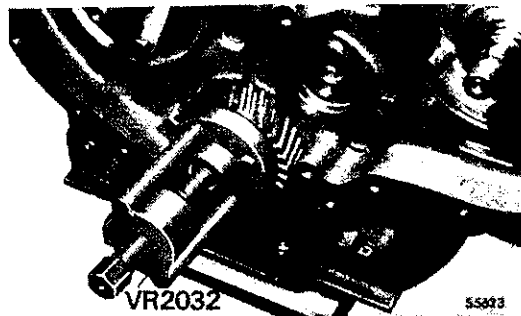


Fig 30 - Removing crankshaft gear

Reconditioning

69 When renewing idler gear bush, ensure that the bush does not protrude beyond either face of the gear. Service bushes are finished to size.

Installation

70 Install crankshaft gear with Installer VR2005.



Fig 31 Installing crankshaft gear

71 Install timing gears as illustrated (Fig 32) ensuring timing mark 'T' is aligned with centre of bolt hole

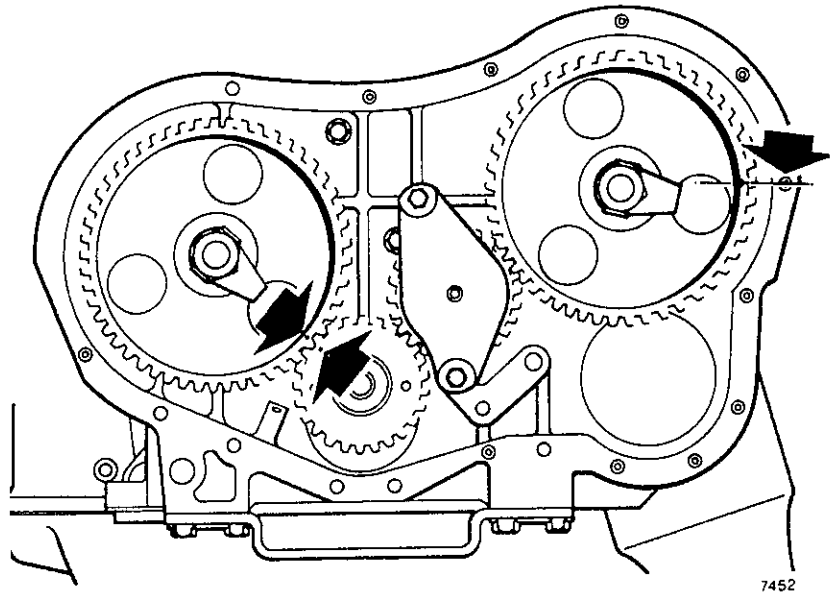


Fig 32 - Timing gears

72 Assemble idler gear and thrust washers on idler hub with recessed face of gear towards hub flange. Larger diameter washer must locate in gear recess. Install new sealing ring in cylinder block counterbore.

73 Should it be necessary to rotate the crankshaft with the camshaft gear removed, slacken the rocker adjustment screws. This avoids the possibility of a piston crown contacting a valve head.

74 Install camshaft and fuel injection pump gears with Installer Z8467.

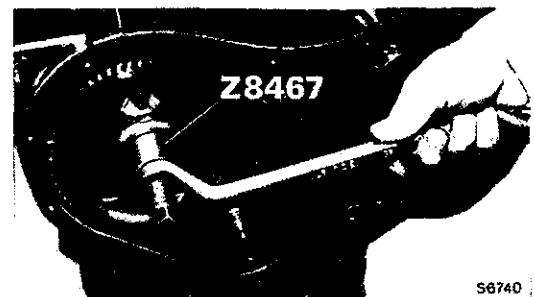


Fig 33 - Installing camshaft gear

75 Do not attempt to drive gear on to camshaft as this will disturb camshaft rear bearing plug.

76 Do not drive gear on to compressor as this will damage unit.

77 Tighten camshaft and compressor/fuel injection pump drive gear nuts to a torque of 122 Nm (90 lbf ft).

COMPRESSOR CYLINDER HEAD (CLAYTON DEWANDRE)

Removal and Disassembly

78 Cylinder head may be withdrawn after removal of exhaust manifold, turbo-charger, air lines and securing nuts.

79 Unloader valve plunger and spring are retained by a threaded cap.

80 Valves and springs may be removed after separating manifold from baseplate.

Inspection and Reconditioning

81 Intake and delivery valves can be refaced by lapping on very fine emery paper held on a flat surface but they should be renewed if badly grooved. Slight scratches on valve seats may be removed by lapping with fine grinding paste. If badly pitted use a seating cutter before lapping.

82 Check intake and delivery valve springs and unloader valve plunger spring for corrosion and distortion, and renew if necessary.

Reassembly and Installation

83 When reassembling cylinder head position a new gasket on baseplate and place intake valve spring in recess in baseplate. Intake valve spring is the smaller of the two valve springs and is shown with intake valve on the left. Place intake valve on spring and delivery valve on its seating.

84 Delivery valve and spring are on the right.

85 Press delivery valve spring into recess in manifold and position manifold on gasket and baseplates.

86 If necessary insert a rod through unloader plunger guide bush in manifold to hold intake valve below surface of baseplate before positioning manifold. Ensure valves are correctly positioned before installing baseplate bolts.

87 Install unloader valve using a new sealing ring (arrowed).

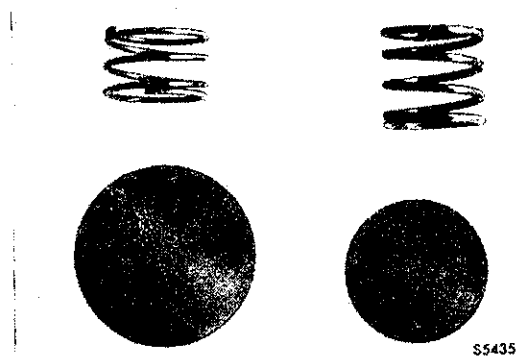


Fig 34 - Intake and delivery valves and springs

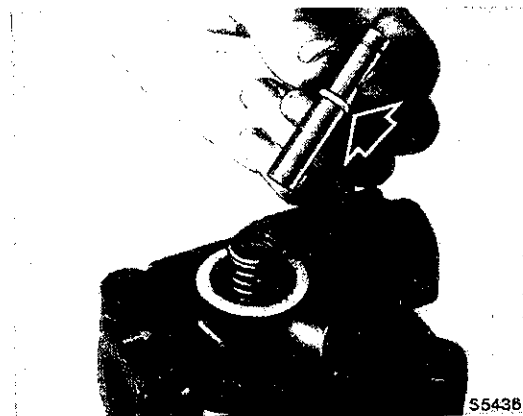


Fig 35 - Unloader valve

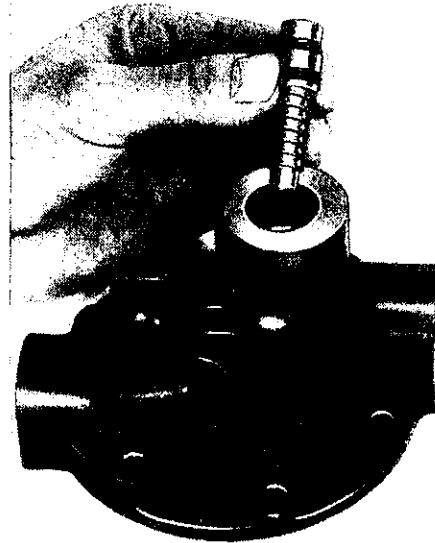
88 Install cylinder head with intake port towards drive end of compressor and tighten retaining nuts to a torque of 13 Nm (10 lbf ft).

COMPRESSOR CYLINDER HEAD - BENDIX

Removal and Disassembly

89 Cylinder head and valve plate assembly may be withdrawn after removal of exhaust manifold, turbo-charger, airlines and securing bolts.

90 Unscrew unloader cap and pull out unloader piston.



V2347

Fig 36 - Removing unloader piston

91 Remove 'O' rings and unloader spring from piston.



V2349

Fig 37 - Unloader piston and spring

92 On cylinder heads secured by four bolts, unloader piston spring may be held in position by a clip.

93 Unscrew valve plate retaining screw and separate valve plate from cylinder head. Detach gasket and remove valve discs and springs.

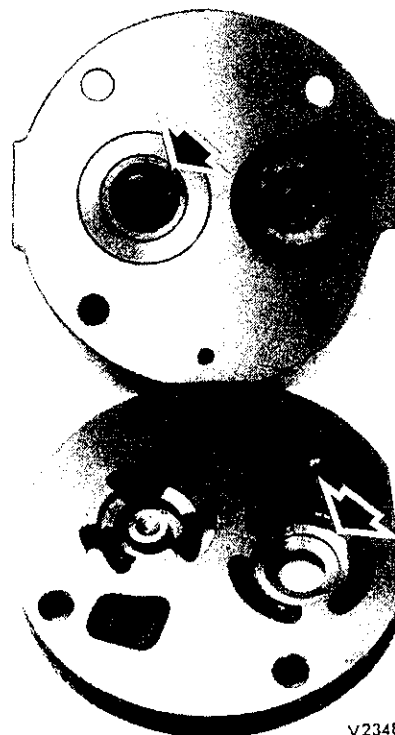
Inspection and Overhaul

94 Inspect all parts for wear or damage and ensure that all passages are clear.

95 With compressor at the top of its stroke remove all carbon and dirt.

96 Check inlet and delivery valve seats for chips or wear, and clean and overhaul to obtain an even surface.

97 Renew all parts supplied in an overhaul kit.



V2348

Fig 38 - Cylinder head and valve plate

Reassembly

98 Lubricate 'O' rings and contact surface of unloader piston with Bendix grease K4-756-04.

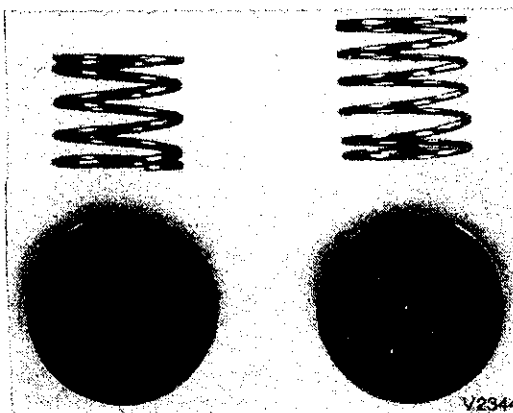


V2350

Fig 39 - Lubricating contact areas

99 Install unloader piston and spring and tighten cap, with new copper washer installed, finger tight.

100 Install valve discs and springs into their recesses and reassemble valve plate to cylinder head. On cylinder heads secured by four bolts ensure valve spring with red identification mark (smaller spring) is installed in delivery port.



V2344

Fig 40 - Inlet and delivery valves
Oct 83

- 101 Ensure valve discs move freely.
- 102 Tighten unloader cap to a torque of 63 Nm (48 lbf ft).
- 103 Install cylinder head and tighten securing bolts to a torque of 22 Nm (16 lbf ft).

AIR COMPRESSOR

Removal

- 104 To remove air compressor the fuel injection pump must first be removed as described in para 231 and timing cover as described in para 41.
- 105 Compressor/fuel injection pump drive gear may be withdrawn as described in para 67.
- 106 Compressor can be detached from timing case after removing five securing bolts.

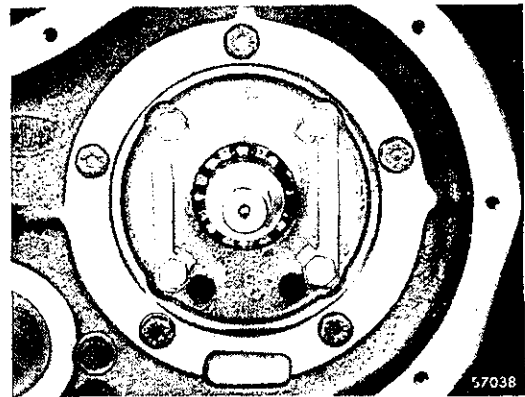


Fig 41 - Compressor securing bolts

Disassembly (Clayton Dewandre)

- 107 Remove and disassemble cylinder head as described in para 78.
- 108 Mark position of cylinder in relation to crankcase before removal.
- 109 Access to connecting rod cap bolts is gain by removing side cover.

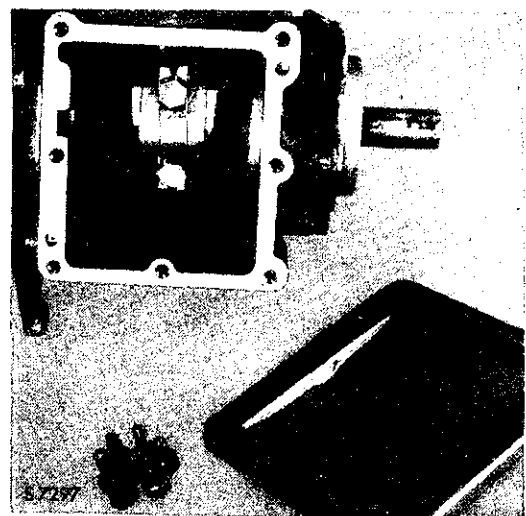


Fig 42 - Crankcase side cover removed

110 Piston pin may be pressed out of piston after removing one of the circlips.

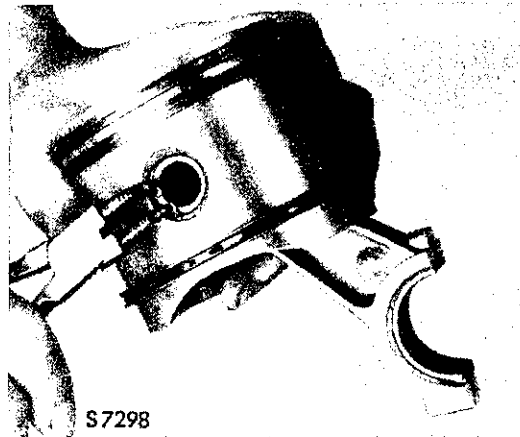


Fig 43 - Removing piston pin circlip

111 Crankshaft and thrust washers may be withdrawn after removing end cover.

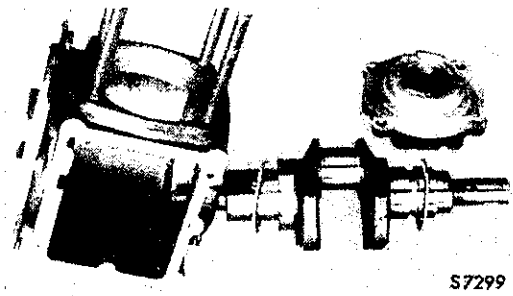


Fig 44 - Crankcase and crankshaft, crankshaft removed

Reconditioning

112 If new crankshaft main bearings are installed, they must be fine bored to $38.093\ 6/38.119\ 0\ \text{mm}$ ($1.499\ 75/1.500\ 75\ \text{in.}$) after installation. This operation must be carried out with end cover assembled to crankcase. A clearance of $0.0190/0.0571\ \text{mm}$ ($0.00075/0.0022\ \text{in.}$) must be obtained with crankshaft.

113 Ensure oil hole in rear bearing aligns with oilway in cover.

114 Hone connecting rod bush to provide a clearance of $0.013/0.051\ \text{mm}$ ($0.0005/0.0020\ \text{in.}$).

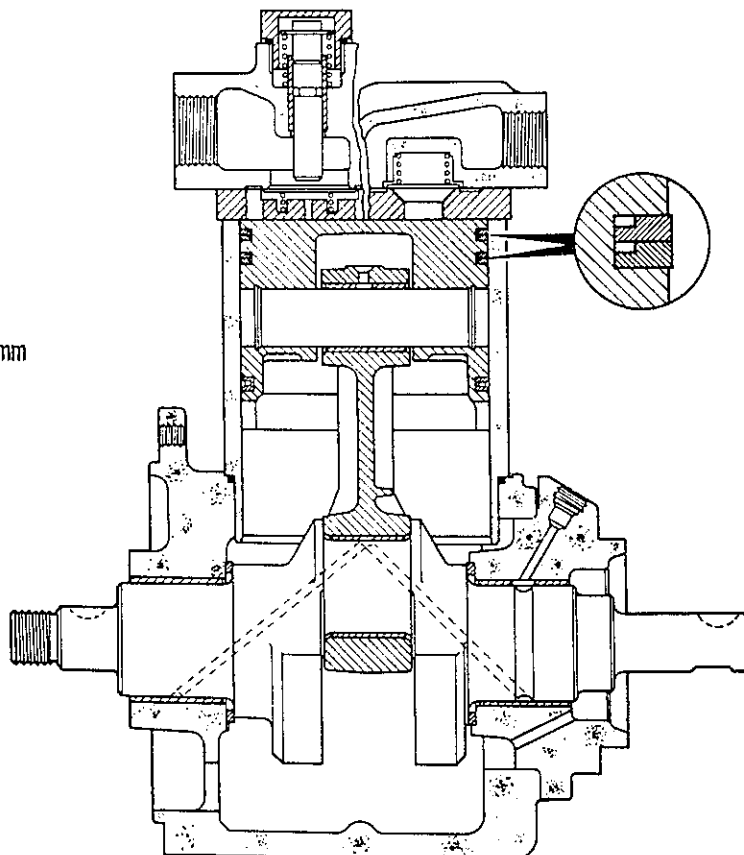


Fig 45 - Cut-away view, compressor

115 Piston clearance in cylinder bore must be 0.190/0.229 mm
(0.0075/0.0090 in.).

Reassembly

116 Crankshaft thrust washers must be installed with steel side towards adjacent main bearing, and ensure tab on washers engage slot in crankcase and cover. Install cover with the oil pipe connection at the top.

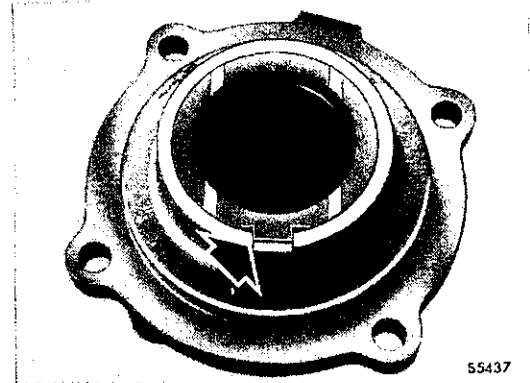


Fig 46 - Crankshaft thrust washers

117 Compression rings must be installed with step towards piston crown.

118 Assemble connecting rod cap with webs (arrowed) in alignment. Tighten connecting rod bolts to specified torque and secure with lock tabs.

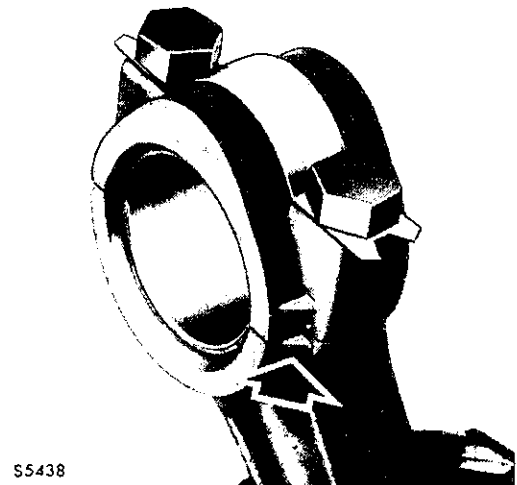


Fig 47 - Assembling cap to connecting rod

119 Before installing cylinder, assemble sealing ring to cylinder spigot.

120 Install cylinder head as described in para 88.

Disassembly - Bendix

121 Remove cylinder head as described in para 89.

122 Access to connecting rod cap bolts is gained by removing bottom cover.

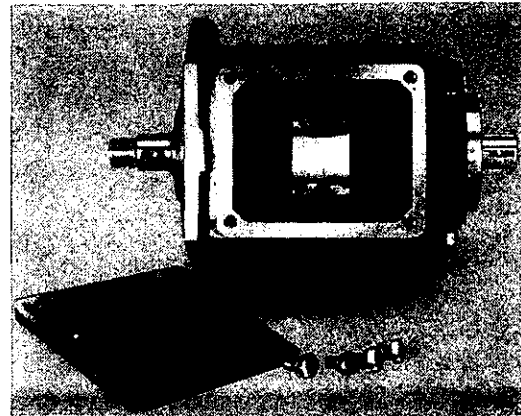


Fig 48 - Crankcase bottom cover removed

123 Piston pin may be pressed out after removing one of the circlips.



Fig 49 - Removing piston pin circlip

124 Crankshaft may be withdrawn after removing end cover.

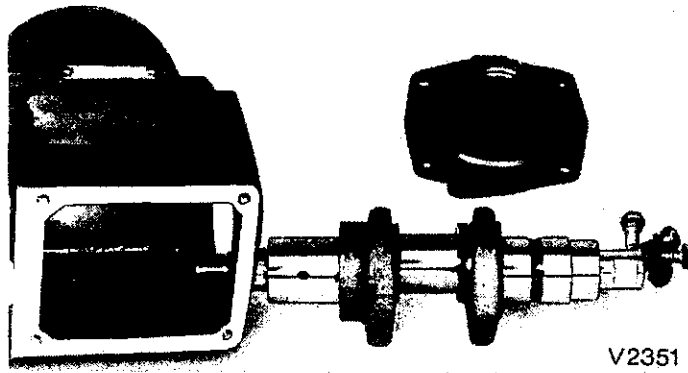
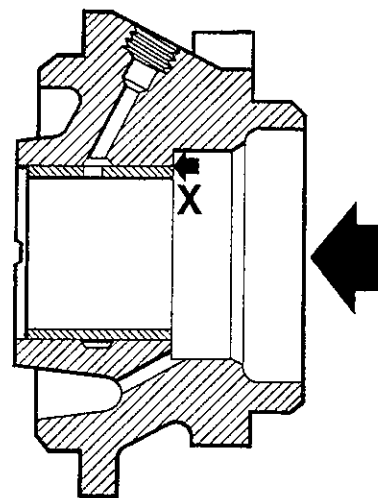


Fig 50 - Withdrawing crankshaft

Reconditioning

125 If crankshaft bushes are to be renewed the bush in end cover must be installed in direction of arrow and flush with face 'X'.

126 Ensure oil hole in rear bush aligns with oilway in cover.



8122

Fig 51 - Installing end cover bush

127 Bushes must be fine bored or reamed to 34.93/34.95 mm (1.375/1.376 in.) with end cover assembled to crankcase.

128 Permissible end float must not exceed 0.07/0.35 mm (0.003/0.014 in.).

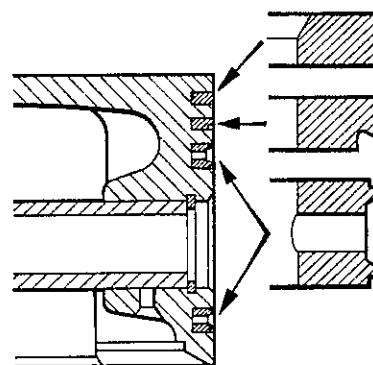
129 Crankcase may be bored to accommodate rings 0.010 in. (0.25 mm) and 0.020 in. (0.5 mm) oversize.

130 Standard piston to bore clearance is 0.33/0.43 mm (0.013/0.017 in.) above top piston ring and 0.07/0.13 mm (0.003/0.005 in.) at piston skirt.

Reassembly

131 On installation apply Wellseal to mating surfaces of end cover and crankcase, ensure oil pipe connection is at the top.

132 Piston rings must be installed as illustrated (Fig 52).



8123

Fig 52 - Assembly of piston rings

133 Align webs (arrowed) on connecting rod and cap and tighten bolts to a torque of 22 Nm (16 lbf ft).

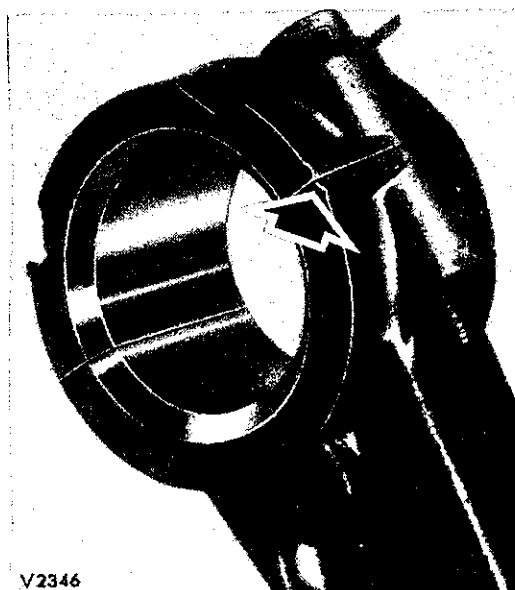


Fig 53 - Assembling cap to connecting rod

134 Install cylinder head as described in para 103.

TIMING CASE

Removal

135 The timing case may be removed leaving compressor and fuel injection pump in position supported by a length of wire attached to the exhaust manifold. Do not pass wire around fuel injection pipes.

Installation

136 A gasket is interposed between the timing case and crankcase and neoprene rings (arrowed) are located in the counterbore of each oil feed drilling.

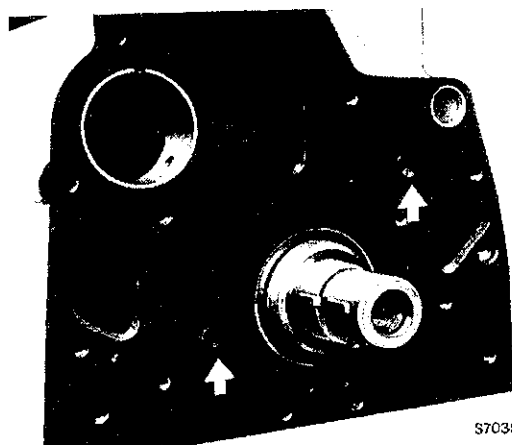


Fig 54 - Timing case oil seals

137 Position timing case on two locating dowels and tighten five securing bolts to a torque of 22 Nm (16 lbf ft).

FLYWHEEL AND RING GEAR

Removal

138 To remove flywheel, gearbox and clutch assembly must first be removed.

Reconditioning

139 Support flywheel and tap ring gear evenly off flange.

140 When refacing friction face, depth of flywheel at 'A' must not be reduced below 20.3 mm (0.80 in.). Diameter of machined surface (dimension 'B') must be 388.6 mm (15.30 in.) minimum to accept clutch cover.



Fig 55 - Refacing flywheel

141 Friction face should be ground finished.

Installation

142 When installing a new ring gear, expand by heating to a temperature of 320°C (dark blue colour) and install gear with chamfered inner edge towards flywheel flange.

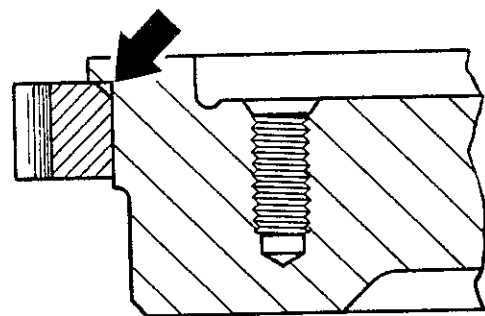


Fig 56 - Installing flywheel ring gear

143 Flywheel bolts must be tightened evenly to a torque of 113 Nm (85 lbf ft).

PISTONS AND CONNECTING RODS

Removal

144 Piston and connecting rod must be withdrawn through top of cylinder block.

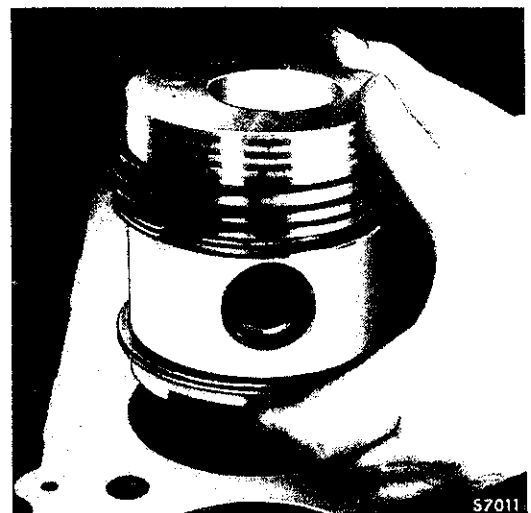


Fig 57 - Removing piston and connecting rod

Inspection

145 Three piston height grades are available for selection to attain the specified piston protrusion above the cylinder block face. These are identified by the numbers 1, 2 and 3 stamped on the piston crown for +0.005 in. (0.127 mm) standard and -0.005 in. (-0.127 mm) respectively.

146 When renewing a piston, replace old with a piston of the same height grading. Should the height grading number on the old piston be indiscernable, the following procedure should be adopted to establish which piston height grade is required.

147 Assemble a piston of standard height, complete with rings, on to the connecting rod and install in cylinder as for normal engine assembly. Rotate crankshaft three turns to centre piston in bore.

148 Rotate crankshaft until piston is at maximum protrusion, measured with a dial gauge placed above piston pin axis.

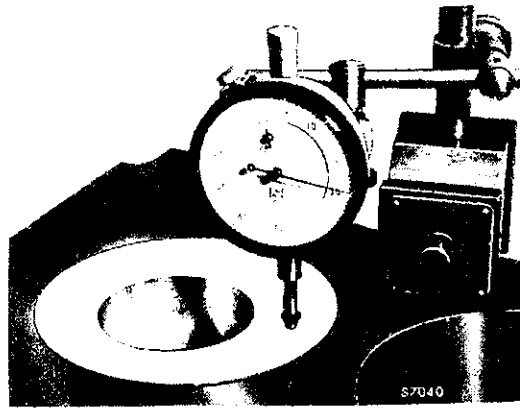


Fig 58 - Measuring piston protrusion

149 If the protrusion is within the specified limits the standard height piston is correct. A protrusion below limits indicates that a +0.127 mm (+0.005 in.) height piston is required and a protrusion above limits indicates the need for a -0.005 in. (-0.127 mm) height piston.

150 Installation of a new or rebushed connecting rod may affect piston protrusion which should be measured as previously described.

151 When assessing piston to bore clearance, and when reboring, maximum accuracy in piston and bore measurement is essential.

152 As piston skirt is ground both oval and tapered, it is imperative that piston size is measured only at right angles to piston pin and 51 mm (2.00 in.) from piston crown.

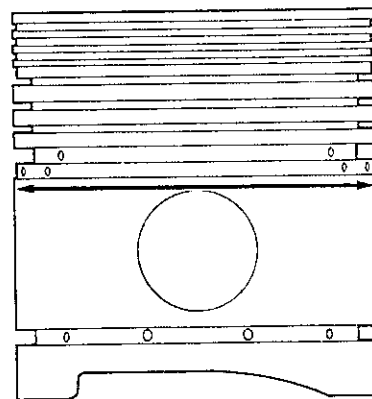


Fig 59 - Measuring piston skirt

Note ...

Micrometer spindle must turn freely so that it can be adjusted up to piston with a very light turning effort. If micrometer is adjusted to get a frictional feel over piston, it will indicate a dimension significantly smaller than the actual size.

153 When checking cylinder bores it is not sufficiently accurate to take a direct reading from an inside micrometer. For maximum accuracy, a cylinder gauge should be used, in conjunction with the same micrometer as used for measuring piston. By this method, any discrepancy between individual micrometers is avoided.

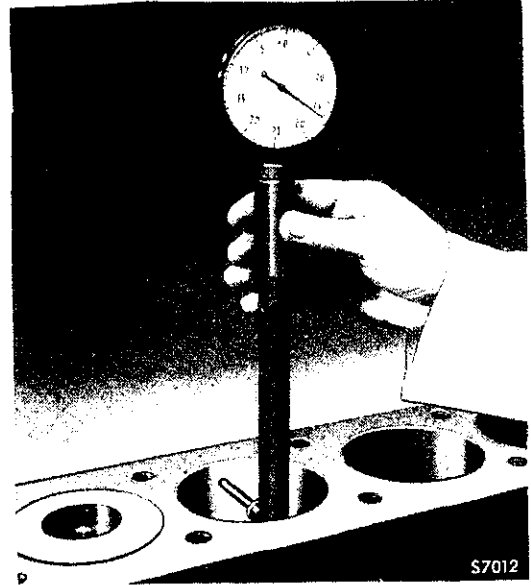


Fig 60 - Checking piston bores

154 Maximum piston oversize is 0.040 in. (1.02 mm).

155 Pistons and pins are serviced as selective assemblies. Grading is shown by letters P or PP on piston crown which correspond with 1 or 11 respectively on end of piston pin.

156 For information on cylinder bore refinishing, see para 182.

Reassembly

157 Before installing new piston rings in a worn bore remove oil glaze with a brush-type de-glazer.

158 Before assembling rod to piston, check that diameter 'A' of bearing housing bore is within 63.995/64.009 mm (2.5195/2.520 in.). This will determine whether cap has been filed. If diameter is incorrect, rod assembly must be renewed.

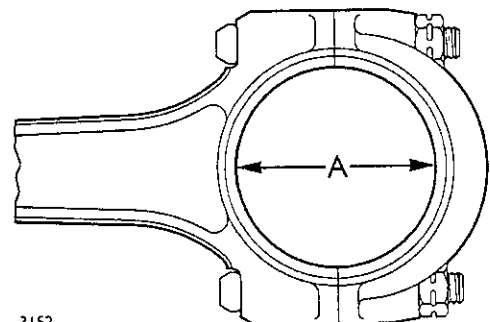


Fig 61 - Connecting rod bearing bore diameter

159 Correct assembly of piston rings is as illustrated in Fig 62.

160 Note that offset 'A' of combustion chamber is away from oil bleed hole side of rod. Ring gaps must be equally spaced around piston.

161 Install pistons so that combustion chamber is offset away from camshaft.

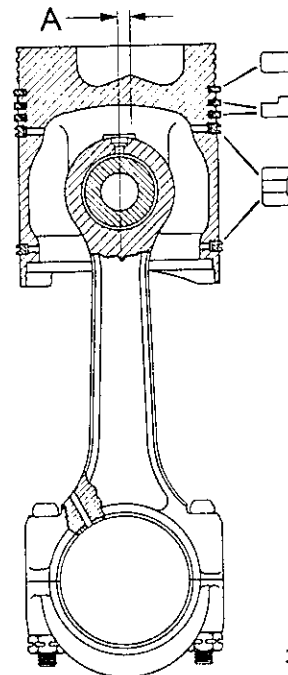


Fig 62 - Assembly of piston rings

Removal and Reconditioning

162 Before removing crankshaft during engine overhaul, check end float to determine if thrust washers on centre bearing are worn (0.05/0.30 mm (0.002/0.012 in.)). Oversize thrust washers are available.

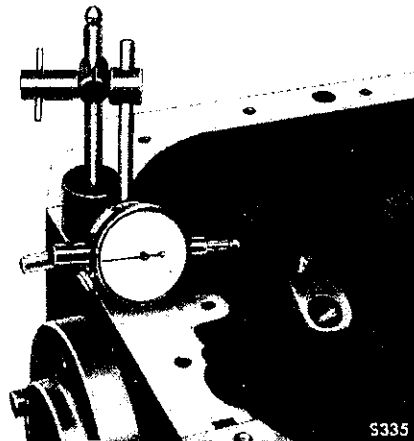


Fig 63 - Checking crankshaft end float

163 It is permissible to regrind crankshaft main journals and crankpins to a maximum of 0.51 mm (0.020 in.) undersize. Crankshaft bearing sets are available 0.25 mm (0.010 in.) and 0.51 mm (0.020 in.) undersize. After regrinding, main journal and crankpin fillets must be re-rolled to specified radius to ensure maximum resistance to fatigue.

164 Whenever a crankshaft is reground or a replacement crankshaft installed it will be necessary to check piston protrusion above cylinder block face as detailed in para 148.

Installation

165 To renew rear seal, coat new seal strip with clean engine oil, press seal strip into groove in cranksase commencing at the centre and working towards the sides. Ensure that both ends of seal project above bearing cap locating face.

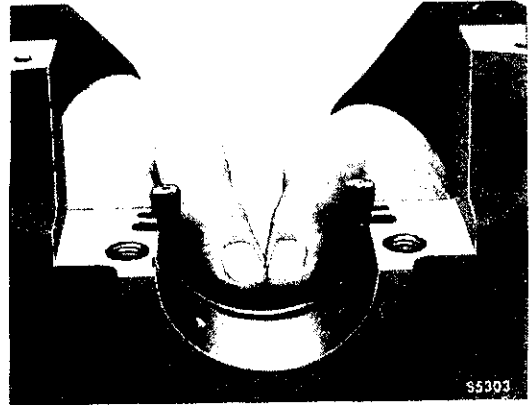


Fig 64 - Installing crankshaft rear seal in cylinder block

166 Place installer (Z8385) in position so that larger end is on seal and other end rests in adjacent main bearing housing. Drive seal into position by hammering on flat of installer, and simultaneously applying a semi-rotary movement until installer is felt to bottom.

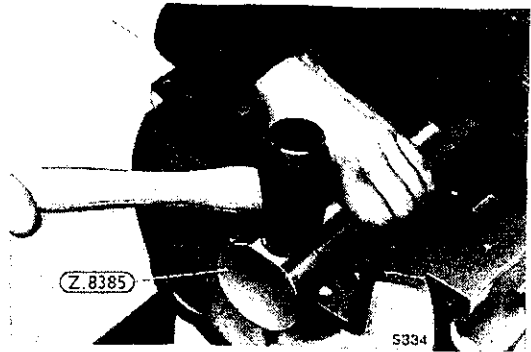


Fig 65 - Installing crankshaft rear seal in cylinder block

167 With installer held firmly in position and using a sharp knife, cut off projecting ends of seal 0.40 mm (0.015 in.) above bearing cap locating face.

168 Do not leave frayed ends to become trapped beneath cap and block contacting faces. After installation, smear seal liberally with clean engine oil.

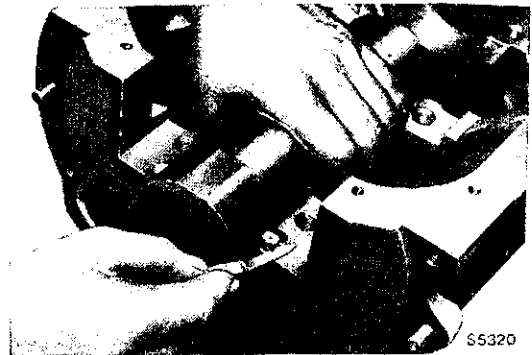


Fig 66 - Installing crankshaft rear seal in cylinder block

169 Install seal strip in bearing cap in a similar manner, using front bearing cap as a guide for seal installer.

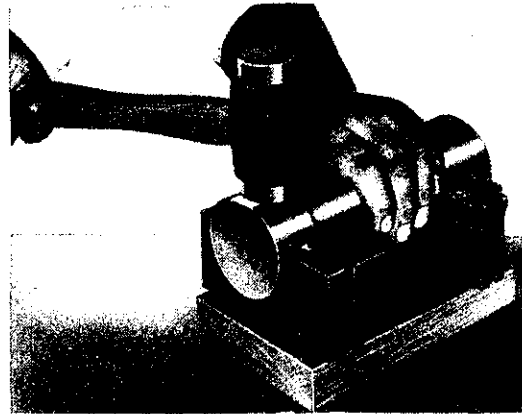


Fig 67 - Installing crankshaft rear seal in cap

170 Crankshaft thrust washer oil grooves must face crankshaft thrust faces.

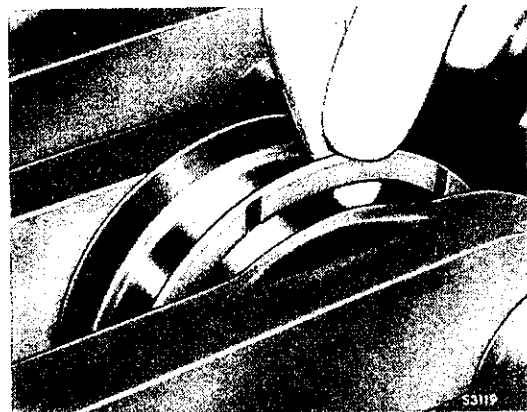


Fig 68 - Installing crankshaft thrust washers

171 When installing rear main bearing cap, smear mating faces of cap and crankcase with Wellseal jointing compound.

172 When installing front main bearing cap, its front face must be in alignment with front face of crankcase.

173 When installing front and rear main bearing cap seal, coat first piece of felt with jointing compound and drive home this and subsequent felts with Installer VR2027. Approximately six felts are required for each groove.

174 Ensure that felts are tightly packed, and leave about 0.25 mm (0.010 in.) of felt projecting above cap face for compression when oil pan is installed.

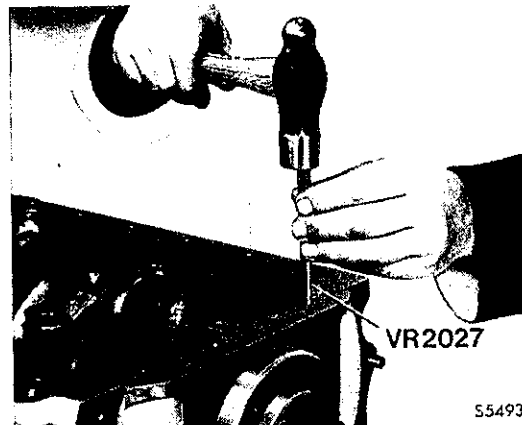


Fig 69 - Installing main bearing cap seal

CAMSHAFT BEARINGS

Removal

175 Camshaft rear bearing cup plug will be driven out during bearing removal.

Installation

176 When installing bearings, work in succession from the rear and ensure that oil holes coincide with oilways in crankcase. Each bearing should locate with notch in bearing uppermost and facing forward. Rear bearing should be flush with front of bearing housing. Front bearing must not project beyond crankcase front face.



Fig 70 - Installing camshaft bearing

177 Replacement bearings are pre-finished to size and must be installed in sets to ensure bearing alignment.

178 Before installing rear bearing cup plug, apply Loctite 572 (Pipe Sealant with Teflon) to periphery of plug for additional retention and sealing.

CYLINDER BLOCK

Reconditioning

179 Refacing of the cylinder block top face is not permissible.

180 To facilitate removal of a cylinder block cup plug, drive in slightly to break seal and then tap on one side only to tilt plug before removal.

181 When installing, smear periphery of plug with Loctite 572 (Pipe Sealant with Teflon) and drive plug in flush with cylinder block face.

182 Cylinder bores must be hone finished, with clean sharp stones of the proper grade for the required amount of metal to be removed. Dull or dirty stones cut unevenly and generate excessive heat. When making initial cuts, leave sufficient metal so that all cutter or coarse stone marks may be removed with the fine stones used for finishing.

183 When finish honing, pass hone through entire length of cylinder at a rate that will produce a cross hatch pattern of 30° to the horizontal (120° included angle to axis of bore). This will ensure maximum ring life and minimum oil consumption. Select finishing stones of a grade to produce a surface finish of 0.4 - 0.9 micrometre (15 - 35 micro-inches).

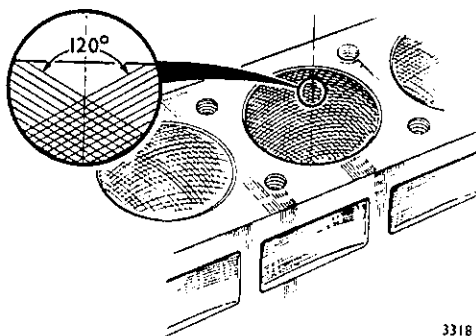


Fig 71 - Cylinder bore finish

184 It is of the greatest importance that refinished cylinder bores do not exceed 0.013 mm (0.0005 in.) ovality.

TURBO-CHARGER

Disassembly

CAUTION ...

When removing compressor or turbine housings, care must be taken not to damage wheels on the housings.

185 Mark compressor and turbine housings relative to bearing housing.

186 Remove compressor and turbine housing securing bolts and withdraw housings from bearing housing.

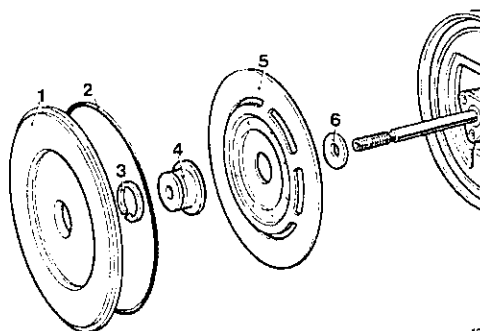
187 Secure the turbine wheel and remove the compressor wheel locknut using a 'T' bar and sockets, and slide the compressor wheel off shaft.

Note ...

The compressor wheel locknut has a left-hand thread.

188 Compressor wheel can now be withdrawn from shaft.

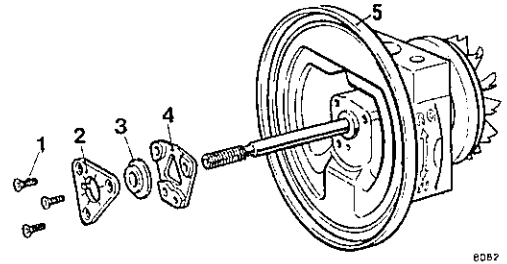
189 Remove compressor wheel back plate (1), 'O' ring (2), oil deflector (5) and thrust ring (6). From compressor wheel back plate, push out flinger sleeve (4) and piston ring (3).



1. Compressor wheel back plate
2. 'O' ring
3. Piston ring
4. Flinger sleeve
5. Oil deflector
6. Thrust ring

Fig 72 - Removing compressor wheel back plate and oil deflector

190 Remove three 'Torx' countersunk screws (1) and withdraw thrust bearing (2), thrust collar (3) and spacer plate (4) from bearing housing (5).



1. 'Torx' countersunk screws
2. Thrust bearing
3. Thrust collar
4. Spacer plate
5. Bearing housing

Fig 73 - Removing thrust bearing and spacer plate

191 Withdraw shaft and turbine wheel assembly from bearing housing. Remove piston ring from shaft.

192 Compressor end bearing can now be removed from bearing housing. Turbine end bearing can be withdrawn after removing retaining snap ring.

193 Remove both bearing inner retaining snap rings from bore of bearing housing.

Inspection

CAUTION ...

Do not use caustic solutions for cleaning. It is important that all parts are kept clean and free from foreign matter during inspection and reassembly.

194 Inspect bearings, shaft journals and bores in bearing housing for wear and scratches. Check piston ring grooves for scoring and wear and renew as necessary.

195 Check turbine and compressor wheels for cracks, bent or damaged blades. Do not attempt to straighten blades. Replace bearing housing core assembly if excessive wear or damage is apparent to compressor or turbine wheels.

196 When replacing turbo-charger check identification plate for correct type numbers.

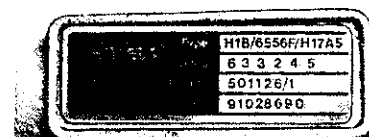


Fig 74 - Identification plate

197 Inspect turbine and compressor housings for damage due to contact with wheels. Slight damage is acceptable otherwise renew housings as necessary.

1. Compressor cover
2. Compressor locknut
3. Compressor wheel
4. Compressor back plate
5. 'O' ring
6. Piston ring
7. Flinger sleeve
8. Oil deflector
9. Thrust ring
10. Torx countersunk screw
11. Thrust bearing
12. Thrust collar
13. Spacer plate
14. Turbine housing
15. Shaft and turbine wheel assembly
16. Piston ring
17. Snap ring
18. Bearing
19. Snap ring
20. Bearing housing
21. Snap ring
22. Bearing

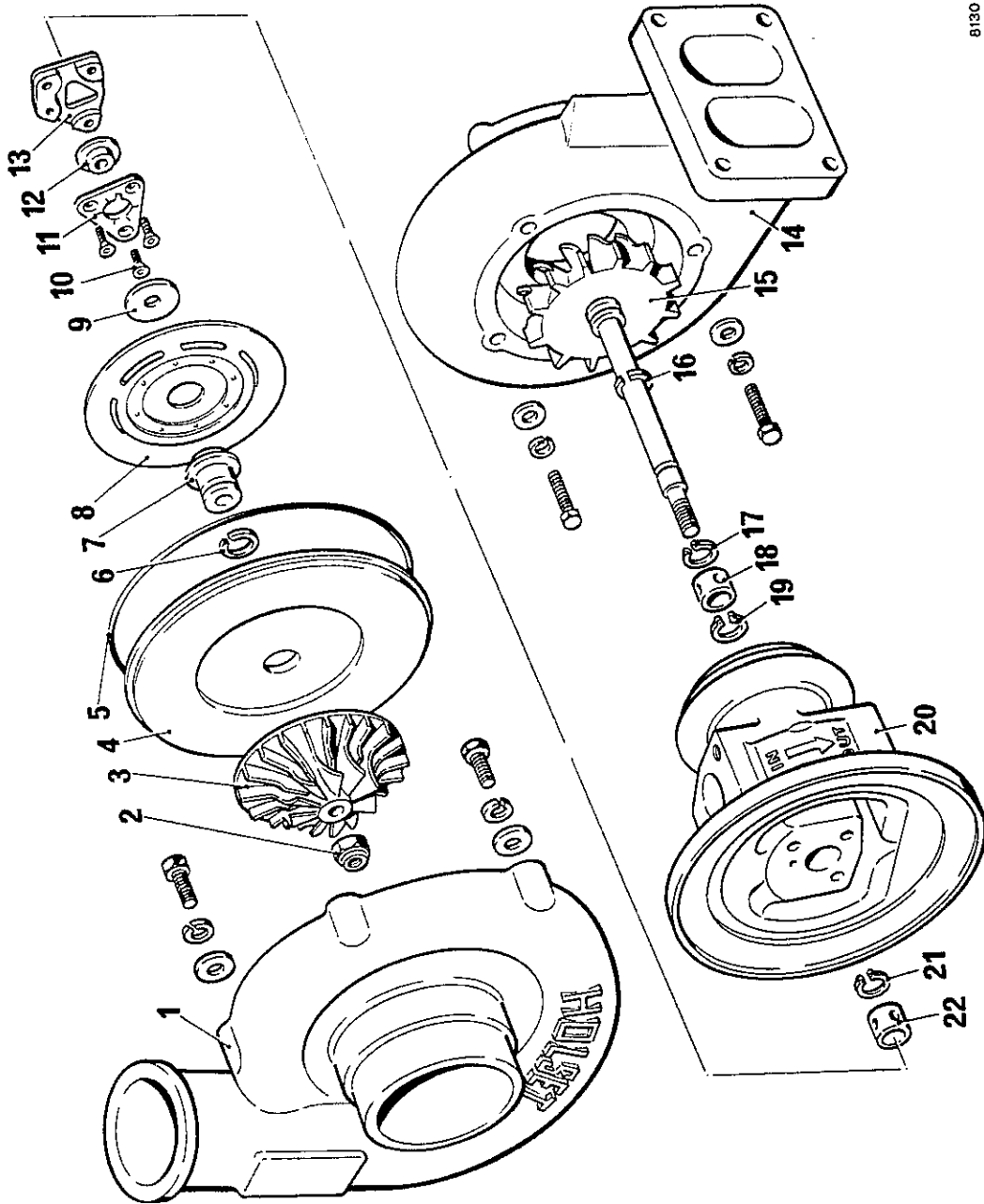


Fig 75 - Turbo-charger
exploded view

8130

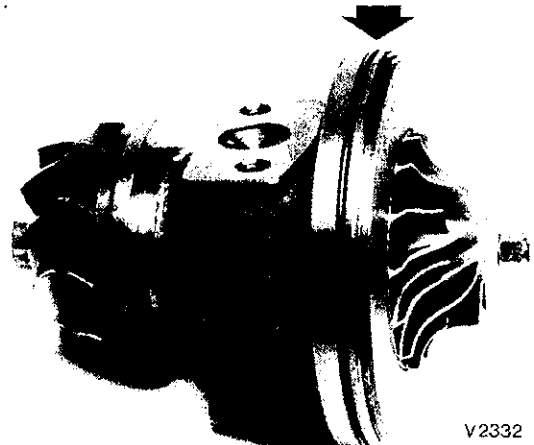
Reassembly

198 Reassembly is the reverse procedure of disassembly provided the following points are noted.

198.1 When replacing snap rings ensure beveled face is towards bearing.

198.2 Tighten thrust bearing countersunk screws to a torque of 4.5 Nm (40 lbf in.)

198.3 Install 'O' ring in position arrowed.



V2332

Fig 76 - Installing 'O' ring

198.4 Tighten compressor wheel lock nut to a torque of 5.1 Nm (45 lbf in.).

Note ...

The compressor wheel locknut has a left-hand thread.

198.5 Using a dial gauge check end float and side travel of turbine shaft. End float should be 0.10/0.16 mm (0.004/0.006 in.) and side travel should be 0.29/0.42 mm (0.011/0.017 in.)

198.6 Compressor housing to centre housing bolts to be tightened to a torque of 5.7 Nm (50 lbf in.).

198.7 Turbine housing to centre housing bolts to be tightened to a torque of 11.3 Nm (100 lbf in.).

199 The turbo-charger, with gasket, is secured to the centre section of the exhaust manifold by four nuts. These nuts are to be tightened evenly to 20 Nm (15 lbf ft).

CAUTION ...

Before starting a new or over-hauled turbo-charged engine, remove screwed plug on top of turbo-charger oil inlet elbow and pre-lubricate bearings by adding 56 ml (2 UK fl oz) of clean engine oil.

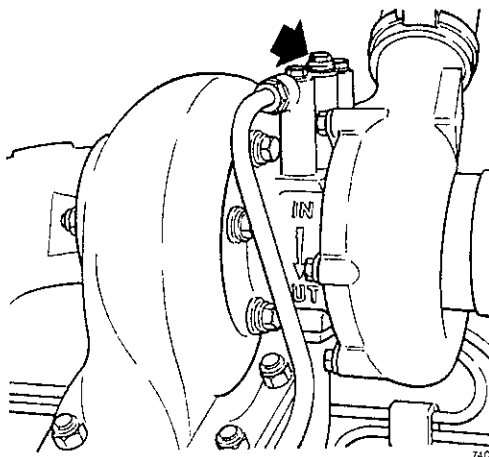


Fig 77 - Pre-lubricating turbo-charger bearings

FUEL SYSTEM

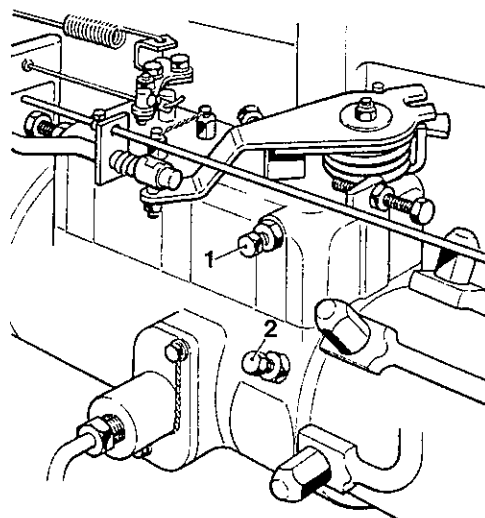
TABLE 6 - SPECIAL TEST EQUIPMENT AND TOOLS

Ser	Tool No (where applicable)	NSN/Part No (where applicable)	Designation
(1)	(2)	(3)	(4)
1	D1122	7BD/5120-99-801-4103	Injector Remover
2	Z8381	7BD/5120-99-401-9945	Injector Sleeve Cleaner

AIR VENTING FUEL SYSTEM

200 Before air venting fuel system, ensure that fuel feed pump rocker arm is contacting base of cam, enabling a full pumping stroke to be obtained with priming lever. Do not pump fuel by cranking engine with starter as this may lead to overheating of the starter.

201 Slacken plug in unused outlet of main fuel filter and operate fuel feed pump priming lever. Tighten plug as fuel is being discharged. Slacken vent screw on pump body (2) and governor housing (1) and operate priming lever until fuel free from air, flows from pump body vent screw, and tighten screw (2).



8119

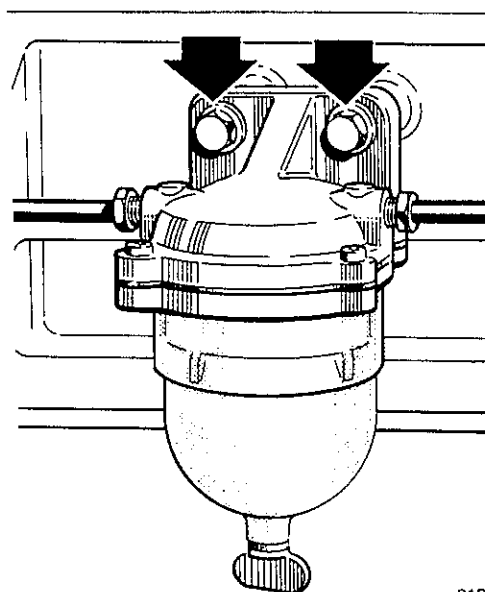
Fig 78 - Fuel injection pump vent screws

202 Slacken any two injector pipe unions, operate starter and as soon as the engine runs, tighten injector pipe union and governor housing vent screw (2).

FUEL SYSTEM SEDIMENTER

Removal

203 The fuel system sedimenter is mounted on the side of the crankcase and is secured by two bolts (arrowed).



8133

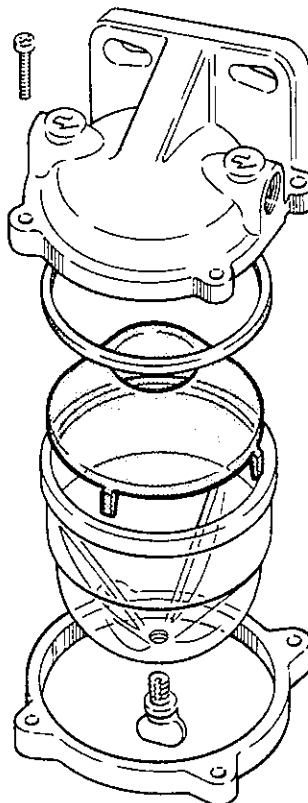
Fig 79 - Fuel system sedimenter

Disassembly

204 The sedimenter bowl can be removed from the metal head after releasing four securing screws.

Reassembly

205 Position element in bowl with widest aperture of cone towards base, element legs contacting bowl register. Bowl clamping plate bore is tapered and widest diameter of bore should face sediment head. Tighten clamping plate screws diagonally and evenly and vent fuel system up to main filter.

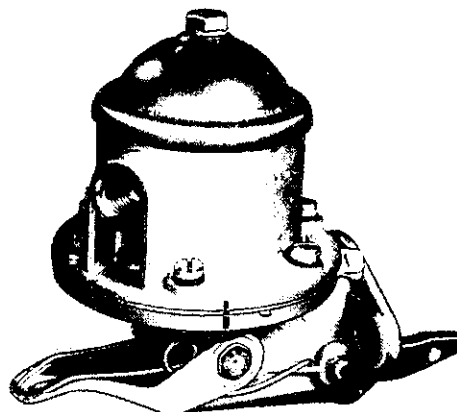


8131

Fig 80 - Reassembling sedimenter

FUEL FEED PUMPDisassembly

206 Before parting pump and priming lever housing from body, mark flanges to ensure correct relationship when reassembling.

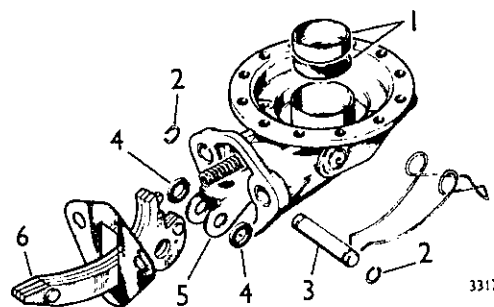


57062

Fig 81 - Fuel feed pump marking

207 If valves are to be renewed, carefully prise valves out of pump cover.

208 Rocker arm can be withdrawn after removing one of the circlips (2) and driving out pin (3). Diaphragm rod oil seal and retainer (1) can be prised out after removing staking around retainer.



When installing rocker arm (6) and link (5), locate spacers (4) each side of link.

1. Oil seal and retainer
2. Circlip
3. Pin
4. Spacer
5. Link
6. Rocker arm

Fig 82 - Exploded view of fuel pump

Reassembly and Installation

209 Install diaphragm by depressing and rotating it 90° to engage link and align tab with lug on body.

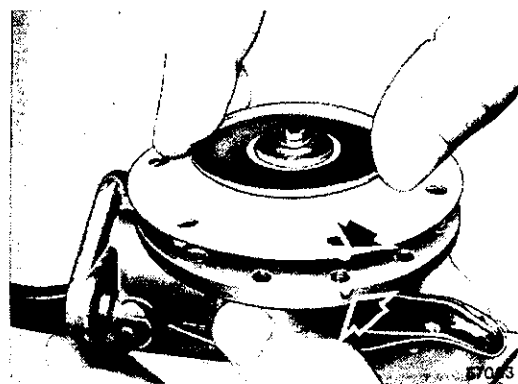
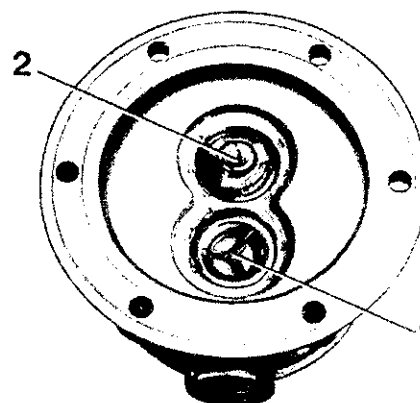


Fig 83 - Installing diaphragm

210 Outlet valve (2) must be installed with spring to top of pump, and inlet valve (1) with spring to bottom of pump.

Valves should be tapped or pressed into position, using a sleeve with a bore diameter of 14.2 mm (0.56 in.), and external diameter 17.3 mm (0.68 in.). To secure valves, stake body in six positions around each valve.



1. Inlet valve
2. Outlet valve

Fig 84 - Pump cover and valves

211 Position cover with marks on flanges in line, and tighten screws finger tight at this stage.

212 After operating rocker arm several times, hold arm towards body so as to hold diaphragm at the bottom of its stroke, and tighten screws diagonally and evenly.

213 Fuel system must be vented up to main filter as described in para 200 after installing pump.

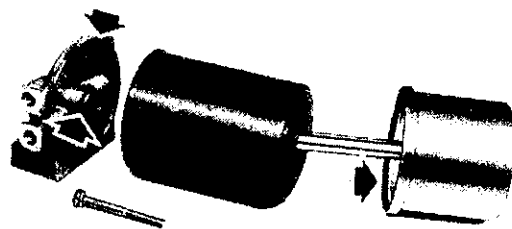
MAIN FUEL FILTER

Removal

214 To remove element or sediment chamber unscrew retaining bolt on filter head.

Installation

215 When assembling filter, install sealing rings (arrowed) in filter head and sediment chamber and ensure washer is installed on securing bolt.



S9356

Fig 85 - Main fuel filter

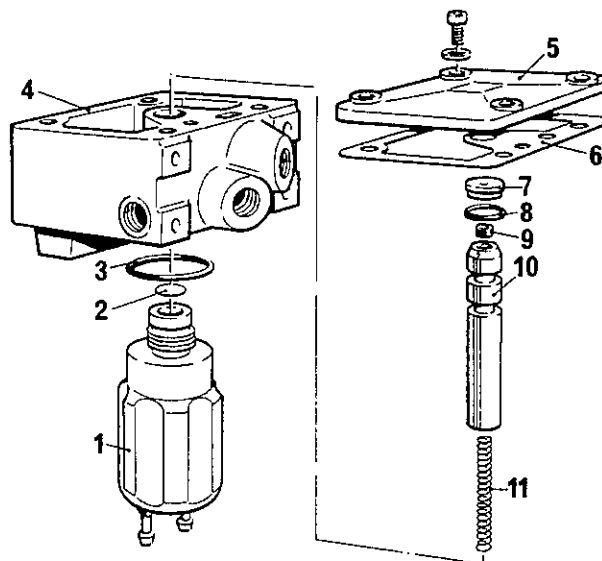
THERMOSTART TANK

Removal and Disassembly

216 The thermostart tank may be removed from mounting bracket after removal of fuel and boost pipes and electrical connections.

217 Unscrew solenoid (1) and remove spring (11), shim (2) and 'O' ring (3) from tank body (4).

218 Remove cover plate (5) and gasket (6), withdraw plunger (10), seal (9), plate (7) and 'O' ring (8)



8208

- | | |
|----------------|-------------|
| 1. Solenoid | 7. Plate |
| 2. Shim | 8. 'O' ring |
| 3. 'O' ring | 9. Seal |
| 4. Tank body | 10. Plunger |
| 5. Cover plate | 11. Spring |
| 6. Gasket | |

Fig 86 - Thermostart tank

Overhaul

219 Check plunger and bore for scores and wear. Ensure hole in plate (7) is not blocked. Renew parts as necessary.

Reassembly

220 Reassembly is a reversal of disassembly.

COLD STARTING IGNITERS

221 The cold starting igniters are located in the boost pipe above the inlet manifold.

222 On vehicles installed with insulated ground return wiring, the igniter is screwed into an insulating bush secured into the boost pipe by adhesive.

223 Before installation, smear periphery of insulating bush (arrowed) with Araldite and leave for recommended period before installing igniter.

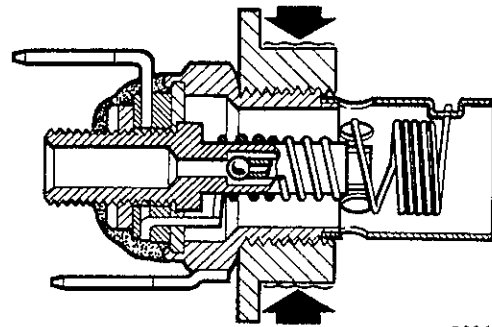


Fig 87 - Cold starting igniter

Igniter Test

224 To check igniter for leakage, remove unit from boost pipe and clean flame shield. Reconnect fuel pipe to igniter and run engine at a fast idle. Any sign of moistening inside or outside flame shield indicates a faulty ball valve and igniter, which being a sealed unit, must be renewed.

If igniter is suspected of leaking only when the intake manifold is under heavy depression, fuel pipe should be disconnected from igniter and blanked off, and vehicle given a road test. If exhaust smoke is reduced igniter is faulty.

Igniter must be removed from vehicle before carrying out any electrical tests as a fire hazard exists when fuel contacts glowing igniter element.

FUEL INJECTION PIPESRemovalCAUTION ...

Before removing injection pipes, clean pipe unions to prevent dirt entering fuel system. After removal, seal both ends of pipe, injector, and injector pump orifices.

Inspection

225 It is essential that the pipe nipple seatings in the injection pump unions and the injectors are not damaged. Even a lightly scarred seating, as shown, necessitates renewal of component.

226 A pipe which is even mildly grooved by a union nut, must be renewed.

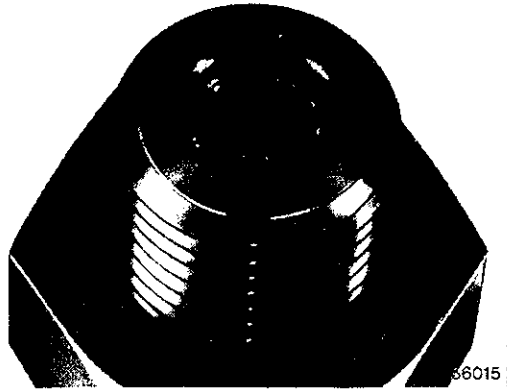


Fig 88 - Damaged injection pump union seating

Installation

227 Before installing a new or used injection pipe, wash pipe in paraffin and dry with compressed air. Finally, flush bore of pipe with calibration fluid from a filtered supply. Ensure that contact surfaces and threads of injection pump and injector are clean and position pipe so that each end enters its seating along centre line of pump or injection union orifice. Tighten union nuts finger tight and check that pipe is centrally disposed where it emerges from nuts. Pipe should remain in a true line with pump or injector union orifice. Check that pipe will not be under strain when pipe clip is tightened. If adjustment of pipe is necessary, remove pipe and reform by hand over the whole length as local bending will cause failure. Flush bore of pipe before installing as any bending may have loosened scale in pipe. Tighten union nuts to 23 Nm (17 lbf ft). Do not over-tighten nuts as this may distort delivery valve holder or lead to failure of pipe.

INJECTORS

Removal

228 Use Remover 7BD/5120-99-801-4103 (D1122) if injector is tight in head.

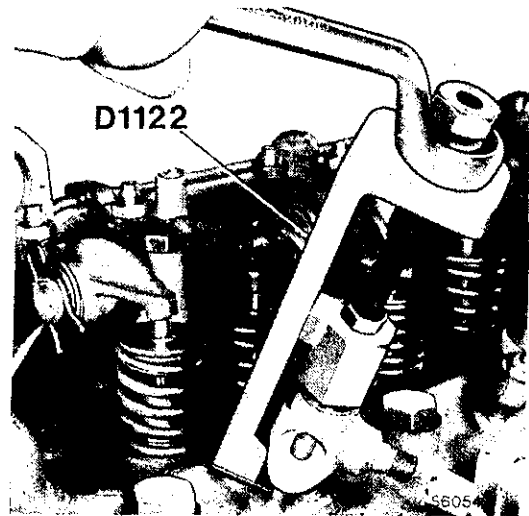


Fig 89 - Removing injector

Installation

229 Before installing injector, clean sleeve and seat face in cylinder head with Cleaner 7BD/5120-99-401-9945 (Z8381). Grease tool to prevent carbon and dirt entering engine.

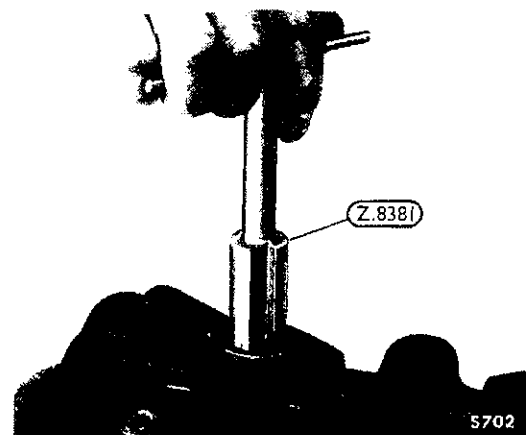


Fig 90 - Cleaning injector seat and sleeve

230 Copper seating washer must be renewed and a check made for additional washers adhering to seating in cylinder head. If more than one washer is used, injector nozzle will not project far enough into cylinder and sprays will not impinge correctly on piston causing excessive smoke and loss of power. When installing injector, install rubber sealing ring between injector and sleeve and tighten securing nuts finger tight, then tighten evenly to a torque of 8 Nm (6 lbf ft). Before connecting pipes, crank engine with starter and check for blow past seating washer. If this is apparent, slacken and retighten injector securing nuts.

FUEL INJECTION PUMPRemovalCAUTION ...

Before removing fuel pipes, clean pipe unions to prevent dirt entering fuel system. After removal, seal both ends of pipe, injector and injection pump orifices.

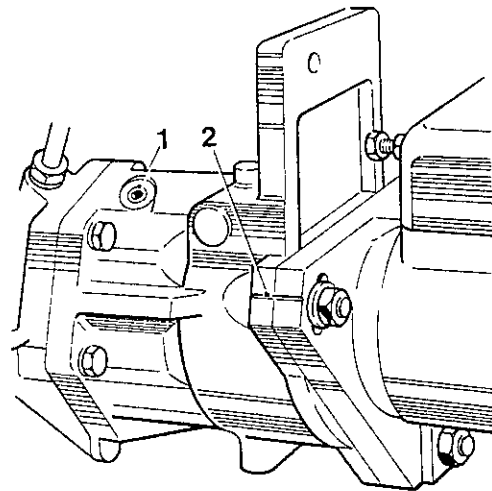
231 Disconnect throttle control rod, idle control cable, and fuel feed pipe. Remove securing nuts and bolts from carrier and support bracket and withdraw pump.

Installation

232 When installing pump, ensure gasket is in position and rotate pump shaft so that master spline on pump aligns with timing pin in pump coupling. Do not use excessive force or timing pin may shear.

238 Align timing marks (2) on pump mounting flange and carrier.

234 Pour an eighth of a pint of engine oil into carrier through filler plug hole (1) to ensure initial lubrication of pump coupling.



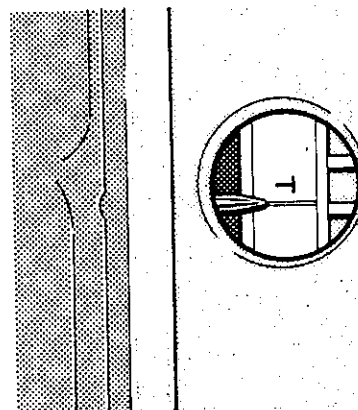
8134

Fig 91 - Injection pump and carrier

PUMP TIMING

235 To check the accuracy of the timing marks on the pump and carrier flanges, or after installing a new pump carrier which is unmarked, proceed as follows:

235.1 Rotate engine in normal direction until flywheel timing mark with 'T' is aligned with timing aperture pointer and No 1 piston is on compression stroke.



8091

Fig 92 - Flywheel timing mark

235.2 Remove inspection cover from side of pump and check that timing mark 'D' on pump rotor is aligned with squared end of circlip.

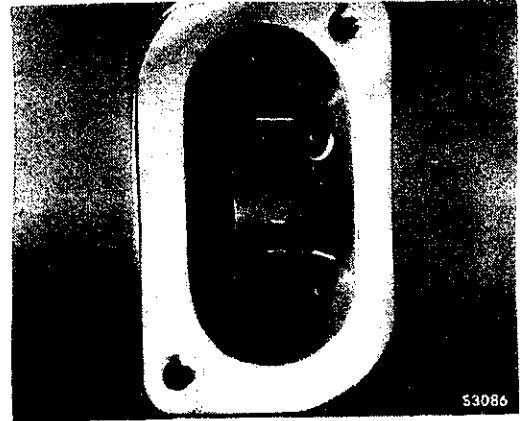


Fig 93 - Fuel injection pump timing mark

235.3 If necessary, adjust position of pump on carrier, ensuring backlash is eliminated, and scribe a line on carrier adjacent to line on pump flange.

IDLING AND MAXIMUM SPEED ADJUSTMENT

236 Before adjusting idling speed, ensure that fast idling control wire is slack.

237 With engine at normal operating temperature, check idling speed with a tachometer and, if necessary, adjust stop screw (arrowed) to obtain an engine idling speed as recommended by equipment manufacturer.

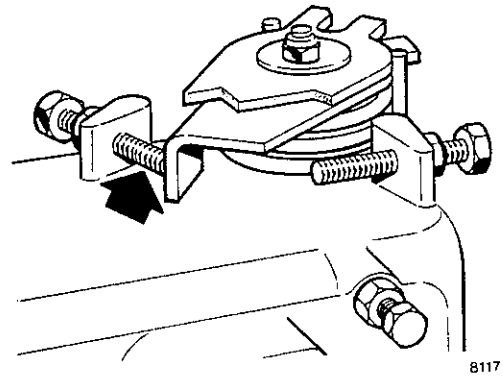


Fig 94 - Idling speed stop screw

238 The engine maximum speed as recommended by equipment manufacturer is set by a screw (arrowed) on the governor housing. The screw is sealed against unauthorized interference.

239 With engine at normal operating temperature move speed control lever by hand to maximum speed position and check engine speed with tachometer.

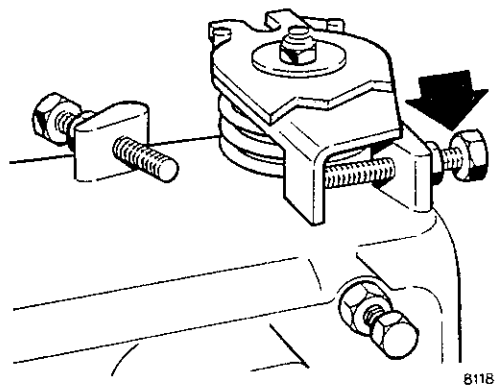


Fig 95 - Maximum speed stop screw

240 After completing adjustment, install seal and wire as follows:

241 Hook equal lengths of wire around lug on governor housing.

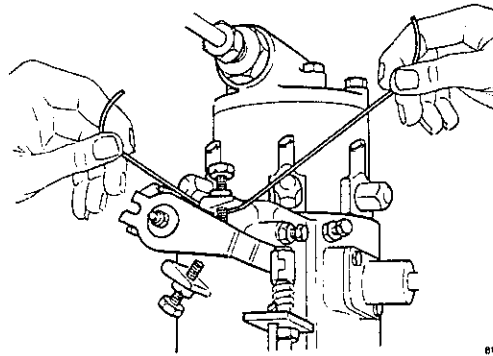


Fig 96 - Installing locking wire

242 Twist wire together 2-3 turns.

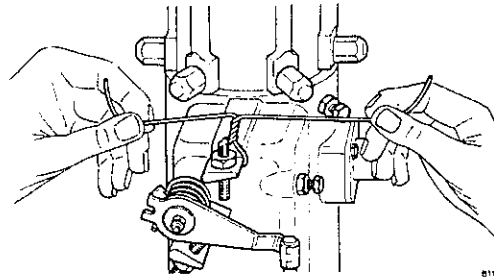


Fig 97 - Installing locking wire

243 Feed wire around screw and through hole in top.

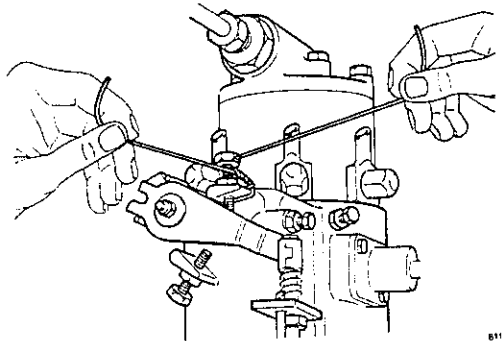
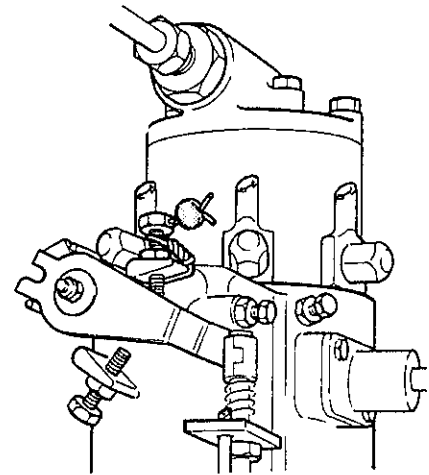


Fig 98 - Installing locking wire

244 Finally pull wire tight before twisting ends together and installing seal. Seal must trap twist in wire.



8114
Fig 99 - Installing locking wire

245 Specified maximum speed must not be exceeded, therefore adjustment must not be attempted without a tachometer.

COOLING SYSTEM

FAN BELTS

Note ...

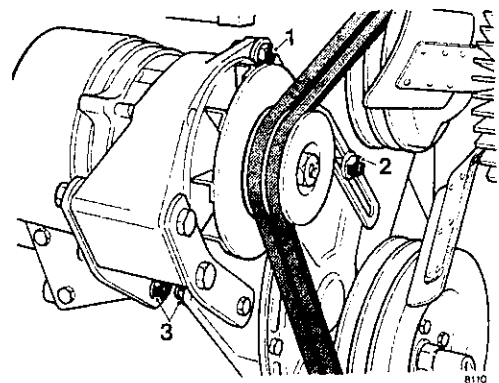
Fan belts are serviced in matched pairs to ensure even tension on both belts. Therefore, if one belt should fail it is essential that both belts are renewed and the remaining belt discarded.

Removal

246 To remove fan belts, slacken nuts on the two mounting bolts (3) and then the two bolts securing the slotted brace (1 and 2). Pivot the alternator towards engine and remove both belts.

Installation

247 When installing fan belts, adjust belts to 13 mm (0.5 in.) at the centre of the longest run.

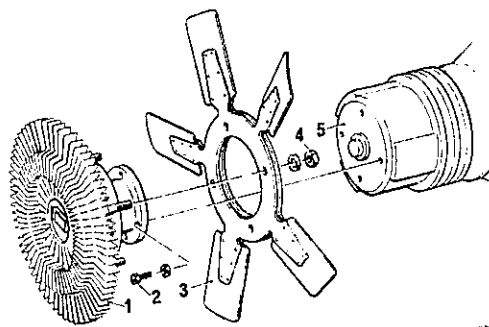


1. Upper mounting bolt
2. Slotted brace locking bolts
3. Lower mounting bolts

Fig 100 - Fan belt adjustment

FAN AND VISCOUS DRIVE

248 Fan (3) and viscous drive (1) may be removed from water pump pulley (5) after removing four bolts (2). The fan is secured to drive unit by four nuts (4).



1. Viscous drive unit
2. Belt, drive unit to water pump
3. Fan
4. Nut, fan to drive unit
5. Water pump pulley

Fig 101 - Exploded view of fan assembly

InspectionWARNING ...

A FAN THAT IS NOT IN PROPER BALANCE COULD FAIL AND FLY APART DURING SUBSEQUENT USE, CREATING AN EXTREMELY DANGEROUS CONDITION.

249 If a fan blade is bent or damaged in any way, no attempt should be made to repair or re-use the damaged part. A bent or damaged fan should always be replaced with a new assembly.

250 It is essential that fan assemblies remain in proper balance, and proper balance cannot be assured once an assembly has been bent or damaged. The fan drive is a sealed unit and is serviced by renewal.

Installation

251 Installation of fan and drive unit is a reversal of removal. Tighten fan to drive unit bolts to a torque of 11 Nm (8 lbf ft), and drive unit bolts to water pump pulley to a torque of 22 Nm (16 lbf ft).

WATER PUMPRemoval

252 Remove securing nuts and remove water pump, taking care not to damage gasket faces.

Installation

253 On installation of water pump ensure gasket faces are clean and free from dirt.

254 Tighten water pump securing nuts to a torque of 48 Nm (35 lbf ft).

Disassembly

255 With water pump removed, pulley may be withdrawn from shaft using a flange type puller secured by bolts to the threaded holes in the pulley.



Fig 102 - Removing water pump pulley

256 To remove shaft and bearing assembly, withdraw circlip in front end of body bore, support pump on body and press shaft through rotor. Shaft and bearing are only serviced as an assembly.

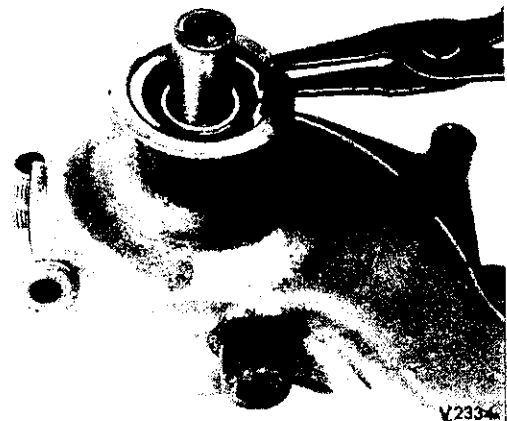


Fig 103 - Removing circlip

Reassembly

257 Prior to installation of the spring-loaded lip-type seal, apply Shell Alvania grease to seal and shaft in the vicinity of seal. Should Shell Alvania grease not be available use a grease which complies with specification GM4733-M.

Care should be taken to ensure that after installing the seal, water pump drain hole (arrowed) is clear.

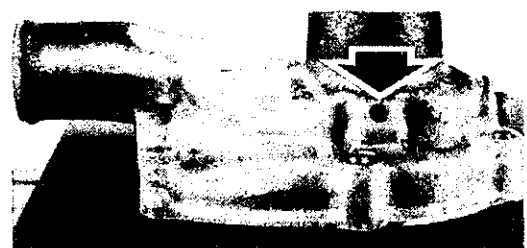


Fig 104 - Pump drain hole

258 When pressing shaft and bearing assembly into pump body, use a sleeve with an external diameter equal to that of the bearing, and continue pressing until bearing contacts shoulder in body bore. Pump bearing is pre-packed with lubricant during manufacture and sealed for life.

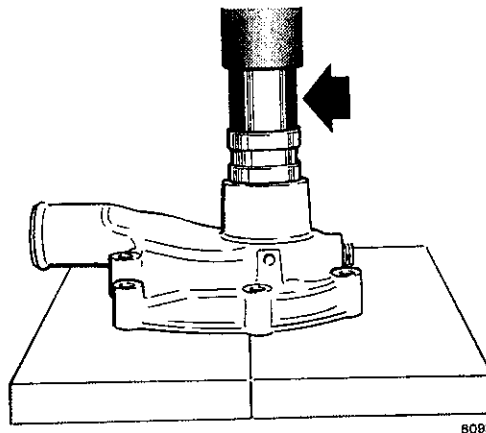


Fig 105 - Pressing shaft and bearing assy into body

259 Install circlip in front end of the body bore. Rotor seal should be installed to shaft using a weak soap solution.

260 When pressing rotor or pulley on to pump shaft, thrust must be taken by the shaft and not the pump body. Pulley should be pressed on until dimension 'A' equals 122.7/123.4 mm (4.83/4.86 in.). Rotor should be pressed on until flush with end of shaft.

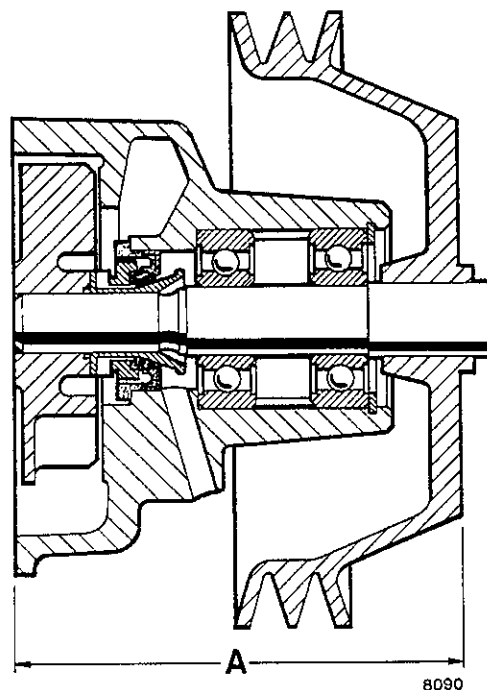


Fig 106 - Installing pulley

THERMOSTAT AND HOUSING

261 The thermostat housing is secured to the front of the cylinder head by bolts and sealed by a gasket.

262 On installation of thermostat housing gasket faces must be clean and free from dirt.

263 Tighten securing bolts to a torque of 48 Nm (35 lbf ft).

264 On vehicles installed with insulated ground return wiring a capillary tube is installed for the water temperature gauge. The tube is screwed into an adaptor in the thermostat housing body.

265 When removing or renewing capillary tube and gauge, the tube must be positioned along cab underbody as shown.

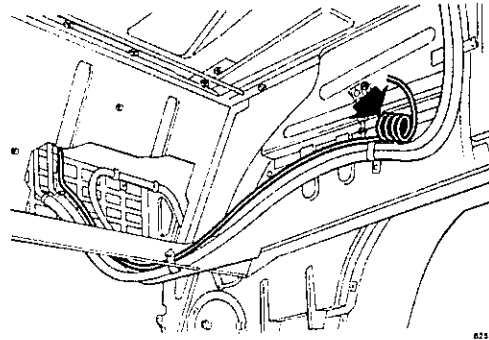


Fig 107 - Capillary tube
positioning





