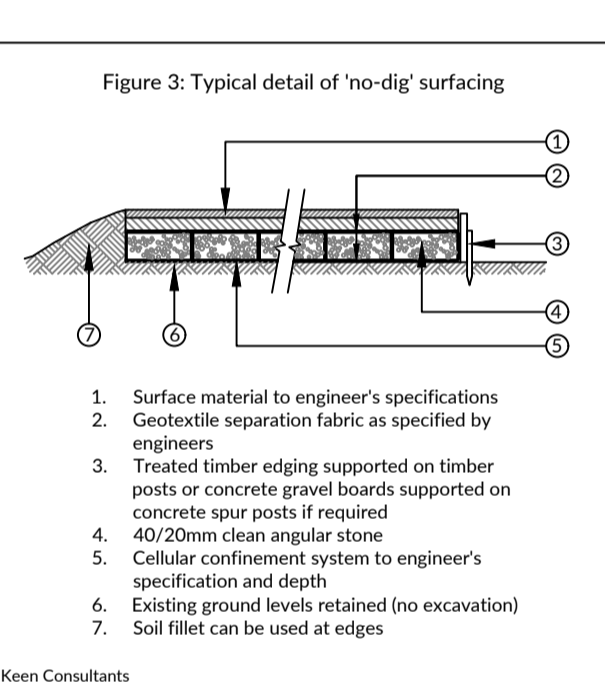
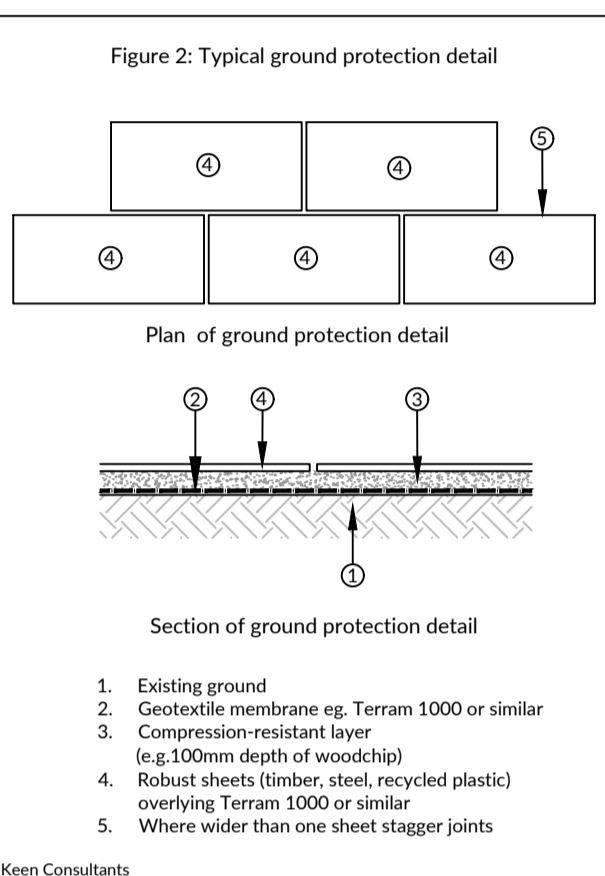
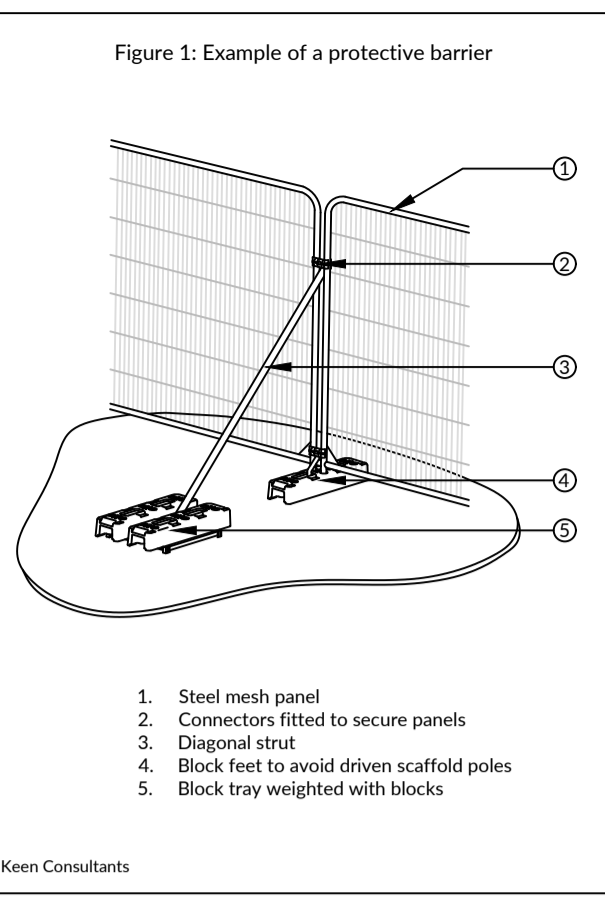
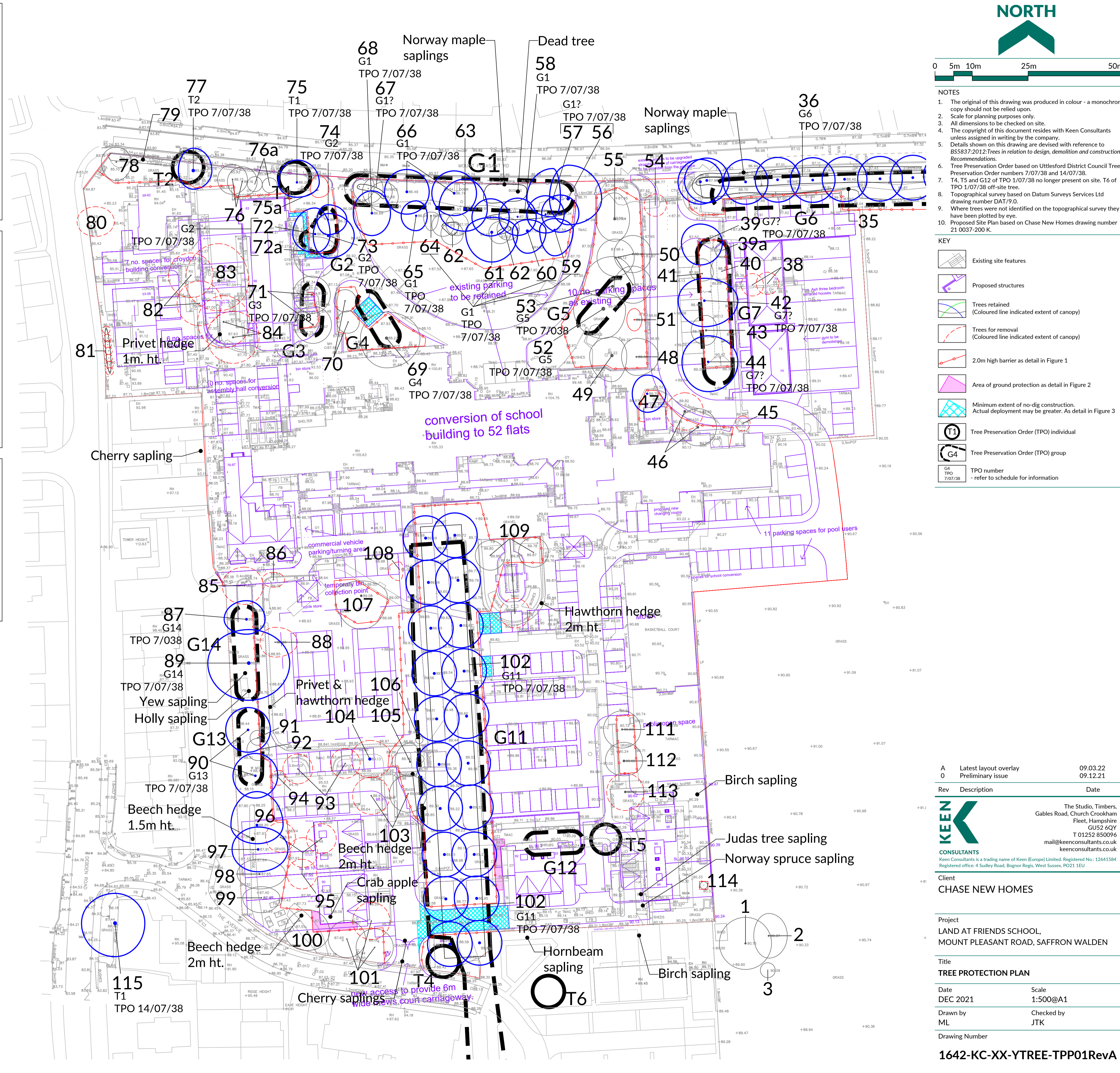


Tree No.	Species	Height (m)	DBH (cm)	Health	Notes	Category	Estimated remaining contribution (%)
1	Yew	1.5	15	Good	Tree to be retained	G1	100
2	Holly	1.5	15	Good	Tree to be retained	G1	100
3	Yew	1.5	15	Good	Tree to be retained	G1	100
4	Holly	1.5	15	Good	Tree to be retained	G1	100
5	Yew	1.5	15	Good	Tree to be retained	G1	100
6	Holly	1.5	15	Good	Tree to be retained	G1	100
7	Yew	1.5	15	Good	Tree to be retained	G1	100
8	Holly	1.5	15	Good	Tree to be retained	G1	100
9	Yew	1.5	15	Good	Tree to be retained	G1	100
10	Holly	1.5	15	Good	Tree to be retained	G1	100
11	Yew	1.5	15	Good	Tree to be retained	G1	100
12	Holly	1.5	15	Good	Tree to be retained	G1	100
13	Yew	1.5	15	Good	Tree to be retained	G1	100
14	Holly	1.5	15	Good	Tree to be retained	G1	100
15	Yew	1.5	15	Good	Tree to be retained	G1	100
16	Holly	1.5	15	Good	Tree to be retained	G1	100
17	Yew	1.5	15	Good	Tree to be retained	G1	100
18	Holly	1.5	15	Good	Tree to be retained	G1	100
19	Yew	1.5	15	Good	Tree to be retained	G1	100
20	Holly	1.5	15	Good	Tree to be retained	G1	100



Column Heading	Explanation
Tree No.	Unique number corresponding with number on plan if applicable and where known
TPO No	Tree Preservation Order reference number
Species	English name
HT (m)	Height in metres
Branch Spread	Crown radius in metres to cardinal points of the compass
Stem Dia	Single stem - Stem diameter in centimetres measured at 1.5m above ground level Multi-stemmed tree with 2 to 5 stems - Diameter of each stem Multi-stemmed tree with more than 5 stems - Average stem diameter and number of stems
Height of crown clearance	Height in metres between the ground and underside of canopy
Height of first major branch and direction of growth	Height from ground level to base of first major branch and the approximate direction of growth
Abbreviations as suffix to tree number	Suffix 'e' denotes an estimated dimension Suffix 'av' denotes an average dimension
Age Class	Age Class definitions: Y = Young S = Semi-mature E = Early mature M = Mature O = Over mature Summary of BS 5837:2012 categorisation: 1. Trees unsuitable for retention: U = those in such a condition that they cannot reasonably be retained as living trees in the context of the current land use for longer than 10 years 2. Trees to be considered for retention: A1, 2 or 3 = trees of high quality (substantial contribution >40%) B1, 2 or 3 = trees of moderate quality (significant contribution >20%) C1, 2 or 3 = trees of low quality (but adequate, i.e. >10 yrs or young trees - until new plants can be established) Note: Useful estimated remaining contribution of the tree or tree group based on figures stated in BS5837:2012 (Brief description including physiological and structural details) Works required to be undertaken to the trees to facilitate the construction of a new building or defect encountered during the survey
Category grading and Estimated remaining Contribution (%)	
Condition	Works required to be undertaken to the trees to facilitate the construction of a new building or defect encountered during the survey
Tree Works	Radius of minimum root protection area in metres calculated from section 4.6 and Annex D of BS5837:2012 Total area of minimum root protection area extrapolated from root protection radius
Root Protection Radius	
Root Protection Area	



- NOTES
- The original of this drawing was produced in colour - a monochrome copy should not be relied upon.
 - Scale for planning purposes only.
 - All dimensions to be checked on site.
 - The copyright of this document resides with Keen Consultants unless assigned in writing by the company.
 - Details shown on this drawing are devised with reference to BS5837:2012 Trees in relation to design, demolition and construction - Recommendations.
 - Tree Preservation Order based on Uttlesford District Council Tree Preservation Order numbers 7/07/38 and 14/07/38.
 - T4, T5 and G12 of TPO 1/07/38 no longer present on site. T6 of TPO 1/07/38 off-site tree.
 - Topographical survey based on Datum Surveys Services Ltd drawing number DAT/19.0.
 - Where trees were not identified on the topographical survey they have been plotted by eye.
 - Proposed Site Plan based on Chase New Homes drawing number 21 0037-200 K.

- KEY
- Existing site features
 - Proposed structures
 - Trees retained (Coloured line indicated extent of canopy)
 - Trees for removal (Coloured line indicated extent of canopy)
 - 2.0m high barrier as detail in Figure 1
 - Area of ground protection as detail in Figure 2
 - Minimum extent of no-dig construction. Actual deployment may be greater. As detail in Figure 3
 - Tree Preservation Order (TPO) individual
 - Tree Preservation Order (TPO) group
 - TPO number - refer to schedule for information

A	Latest layout overlay	09.03.22
O	Preliminary issue	09.12.21

KEEN
The Studio, Timbers,
Gables Road, Church Crookham
Fleet, Hampshire
GU52 6QY
T 01252 850096
mail@keenconsultants.co.uk
keenconsultants.co.uk

Client
CHASE NEW HOMES

Project
**LAND AT FRIENDS SCHOOL,
MOUNT PLEASANT ROAD, SAFFRON WALDEN**

Title
TREE PROTECTION PLAN

Date	Scale
DEC 2021	1:500@A1
Drawn by	Checked by
ML	JTK

Drawing Number
1642-KC-XX-YTREE-TPP01RevA