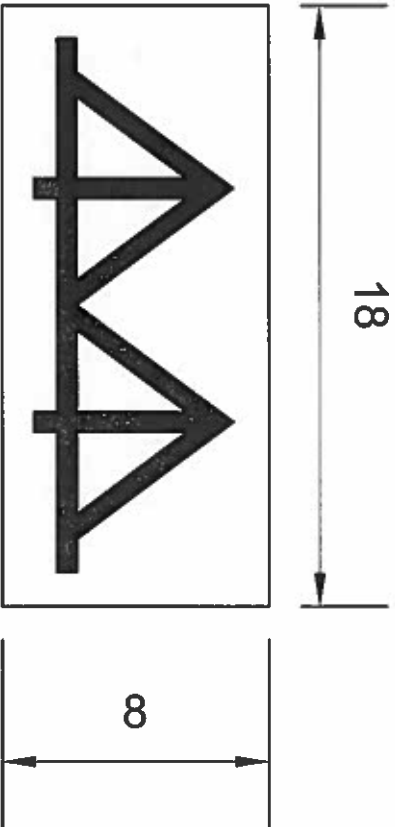


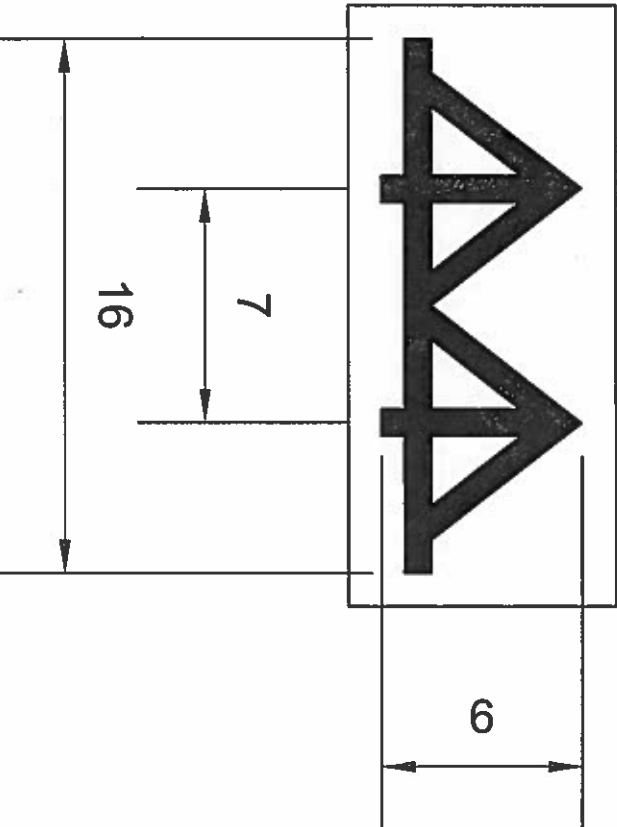
DO NOT SCALE

ATKINS

BACKGROUND YELLOW
SYMBOL BLACK
LINE WIDTH 0.6 STROKE WIDTHS
(FOR USE ON BACKGROUNDS
WHICH ARE NOT BLUE)



BACKGROUND YELLOW
SYMBOL BLACK
LINE WIDTH 0.8 STROKE WIDTHS
(FOR USE ON BLUE
BACKGROUNDS)



Rev	Description	By	Date	Chkd	Auth

Consultant	
WS Atkins Consultants Limited ©	
260 Astec West, Park Avenue, Amundsbury, Bristol. BS32 4SY Tel: 01454 618844 Fax: 01454 617817	
Client	M1 HIGHWAYS AGENCY
Project	AREA 2 TRUNK ROADS AND MOTORWAYS MAINTENANCE
Title	SEVERN BRIDGE DIVERSION LOGO
Purpose of Issue	Information
Rev	1
Date	
Auth	
Drawn	
Date	
Checked	
Date	
Scale	NTS
Rev	1
Date	
Approved	
Date	
Drawing Number	BW/S024/T/ED/400/140

A4