

# Leading Particulars - Merlin HC Mk4/4A

Aircraft Serial No \_\_\_\_\_

Standard Fuels				
NATO Code No	Joint Service Designation	UK Specification	US Designation	US Specification
F-24	-	-	JET A with Additives	ASTM D1655
F-34	AVTUR/FSII	DEF STAN 91-87	JP-8	MIL-DTL-83133
F-40	AVTAG/FSII	DEF STAN 91-88	JP-4	MIL-DTL-5624
F-44	AVCAT/FSII	DEF STAN 91-86	JP-5	MIL-DTL-5624

Alternative Fuels				
NATO Code No	Joint Service Designation	UK Specification	US Designation	US Specification
F-35	AVTUR	DEF STAN 91-91	Jet A-1	ASTM D1655
-	-	-	Jet A	ASTM D1655

Tyre Pressures (Bar)		
Aircraft Condition	Main	Nose
Normal	7.24	8.69

Flight Information					
	A	B	C	D	E
AHRS Coefficients					
Bore Sight	Alpha		Beta		Gamma
Stick Position Offsets	Cyclic Long		Cyclic Lat		Coll

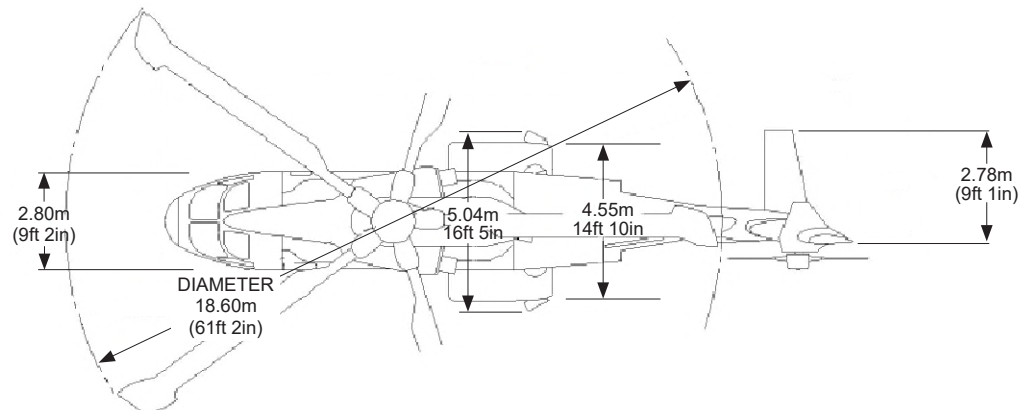
Standard Lubricants and Fluids				
System	Type	NATO Ref	Specification	NATO Code
ECU Oil	OX 27	9150-99-2201940	Def Stan 2499-Def Stan 91-101	O - 156
ECU Oil	OX 9	9150-99-7822627	Def Stan MIL-L-7808	O - 146
MRGB	Aeroshell 555	9150-17-1083204	Def Stan 2497-Def Stan 91-100	O - 160
AGB	Aeroshell 555	9150-17-1083204	Def Stan 2497-Def Stan 91-100	O - 160
IGB	Aeroshell 555	9150-17-1083204	Def Stan 2497-Def Stan 91-100	O - 160
TRGB	Aeroshell 555	9150-17-1083204	Def Stan 2497-Def Stan 91-100	O - 160
APU	OX 27	9150-99-2201940	Def Stan 2499-Def Stan 91-101	O - 156
Hydraulic Oil	OM 15	9150-99-9100572	Def Stan 91-48	H - 515
ECS	Exxon/Esso	9150-99-2201940	Def Stan 2499	O - 156
	Turbo Oil 2380			
Windscreen Wash	AL 36	6850-99-2245397	DTD 900/4939	-

Mixing of mineral and synthetic oil is prohibited. Synthetic oils may be mixed in an emergency only. In an emergency, approved oils with same Def Stan specification can be mixed. After mixing, within 10 running hours time, the oil system must be drained and refilled with an approved oil brand. Oils with different Def Stan must not be mixed.

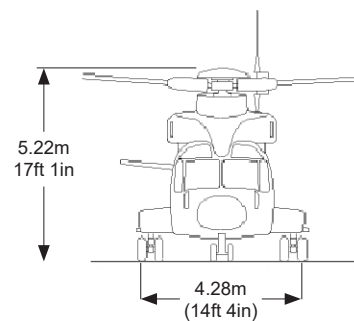
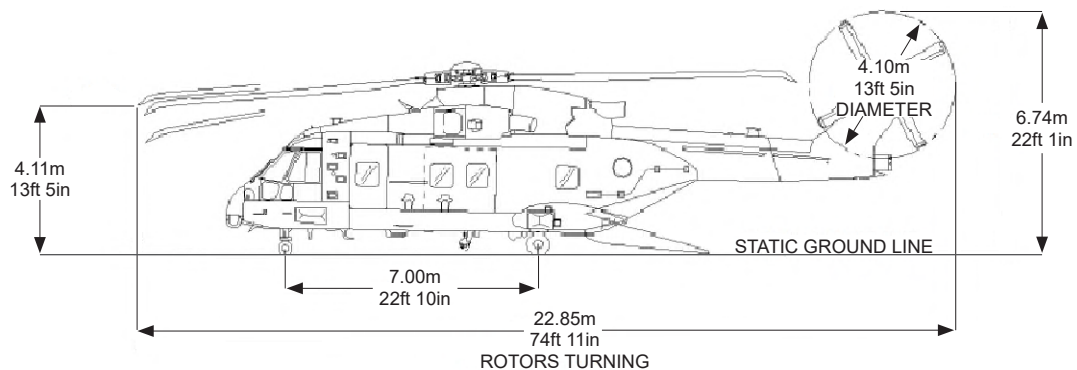
Emergency Lubricants			
System	Type	Specification	NATO Code
MRGB	Castrol or Exxon Turbo Oil 25	Def Stan 2497 / Def Stan 91 - 100	O - 160
AGB			
IGB			
TRGB			
APU	OX 26	Def Stan 2497	O - 160

### Miscellaneous Information

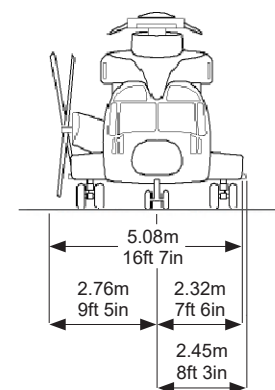
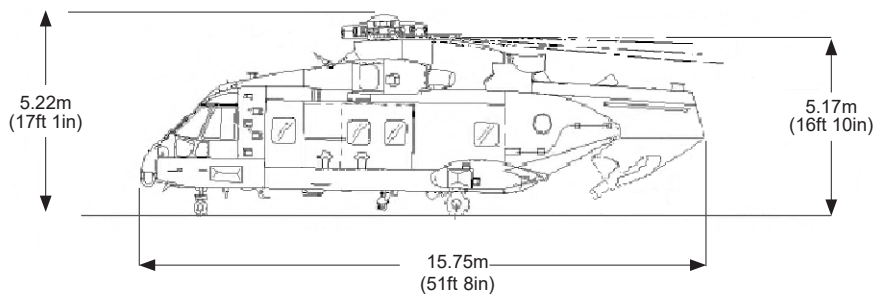
1. Use of fuel containing less than 0.10% FSII is limited to a maximum period of 14 days. After this period, the tanks must be emptied and refilled with fuel containing greater than 0.10% FSII which must then be used for at least an equivalent period. For periods more than 14 days, the use of fuel containing less than 0.10% FSII is subject to prior approval by the MDT and an increased sampling regime. JP-8 FSII percentage must be confirmed as 0.10% to 0.15% (due to US specification changes).
2. Windscreen wash liquid should be replaced with AL5 (DTD 406B - NATO Code S745/NATO Ref 6850-14-4519117) for operations in icing conditions.



**Overall Dimensions - Merlin HC (Mk4/4A)**



**External Dimensions - Spread**



**External Dimensions - Folded**