



Ministry
of Defence



LLB(Hons)
DE&S Secretariat (Land Equipment)

DESSEC-PolSecLE-JSC-WPNS@mod.gov.uk



Defence Equipment & Support
Maple 0a # 2043
MOD Abbey Wood
Bristol BS34 8JH



Via:

14 January 2021 Our Ref: FOI2020/14019

Dear [REDACTED],

Thank you for your email of 30 December 2020 requesting the following information:

I would appreciate a copy of the latest amended edition of the Bedford TM 4x4 parts manual

I am treating your correspondence as a request for information under the Freedom of Information Act 2000 (FOIA).

A search for the information has now been completed within the Ministry of Defence, and I can confirm that information in scope of your request is held.

The information you have requested can be found at annex A, but some of the information falls entirely within the scope of the absolute exemption provided for at section 40 (Personal Data) of the FOIA and has been redacted.

Section 40(2) has been applied to some of the information in order to protect personal information as governed by the Data Protection Act 2018. Section 40 is an absolute exemption and there is therefore no requirement to consider the public interest in making a decision to withhold the information.

If you have any queries regarding the content of this letter, please contact this office in the first instance.

If you wish to complain about the handling of your request, or the content of this response, you can request an independent internal review by contacting the Information Rights Compliance team, Ground Floor, MOD Main Building, Whitehall, SW1A 2HB (e-mail CIO-FOI-IR@mod.gov.uk). Please note that any request for an internal review should be made within 40 working days of the date of this response.

If you remain dissatisfied following an internal review, you may raise your complaint directly to the Information Commissioner under the provisions of Section 50 of the Freedom of Information Act. Please note that the Information Commissioner will not normally investigate your case until the MOD internal review process has been completed. The Information Commissioner can be contacted at: Information Commissioner's Office, Wycliffe House, Water Lane, Wilmslow, Cheshire, SK9 5AF. Further details of the role and powers of the Information Commissioner can be found on the Commissioner's website at <https://ico.org.uk/>.

Yours sincerely,

[REDACTED]

[REDACTED]

DES SEC Pol Sec 2 Asst Hd



FOR OFFICIAL USE ONLY
CROWN COPYRIGHT RESERVED

TRUCK, 8t, 4x4, BEDFORD

(ALL VARIANTS)

REPRINTED INCORPORATING AMDTS Nos 1 to 7

ILLUSTRATED PARTS CATALOGUE

BY COMMAND OF THE DEFENCE COUNCIL



Ministry of Defence:

Sponsor: OR 11

(File Ref. D/OR 11/75/16)

Publication Authority, D.ACA
Royal Arsenal West Woolwich, SE18 6ST

Comments on the contents of this publication should be submitted in accordance with AESP 0100-P-011-013

7

7

|

1

AMENDMENT RECORD

Amdt	Incorporated by	Date
1)	
2)	
3)	
4)	
5)	
6)	
7	INCORPORATED	
8		
9		
10		
11		
12		
13		
14		
15		
16		
17		
18		
19		
20		
21		
22		
23		
24		
25		
26		
27		
28		
29		
30		
31		

Amdt	Incorporated by	Date
32		
33		
34		
35		
36		
37		
38		
39		
40		
41		
42		
43		
44		
45		
46		
47		
48		
49		
50		
51		
52		
53		
54		
55		
56		
57		
58		
59		
60		
61		
62		



PREFACE

Introduction

1. This Illustrated Parts Catalogue (IPC) is designed as an aid to the identification of component parts or assemblies of parts of the equipment, and to provide the information necessary for the demanding of spares.
2. This IPC may list some or all of the parts comprising the equipment concerned, but only those parts given a NATO Stock Number or Service Catalogue or Reference Number will normally be available as spares. Should there be a requirement for an item not assigned a number, demands may be submitted quoting the Code Number of the publication, item number, figure reference and item name. Where a manufacturer's number is known this should also be quoted. In the case of "NP" assemblies quote details as per text page.
3. It is suggested, that for convenient use of this catalogue, reference should first be made to the appropriate illustration, identification of the part required will then immediately transfer attention to the text by means of the plate reference number for items catalogued.

Quantities

4. The figure in the 'Number Off' column specifies the quantity required for the unit (or assembly, sub-assembly, etc.) concerned; it does not indicate the quantity to be demanded.

Demands

5. When demanding Spare Parts the following particulars must be quoted:-
 - (a) Catalogue Number (includes V.A.O.S. Section)
 - (b) Item Name
 - (c) Name of the Equipment for which the part is required.

Demands on Indent Form G8436 (A.D.P.) Catalogue Numbers should be converted to V.R.N. format in accordance with current D.C.I.'s e.g. LV6MT3/6220-99-910-9199 becomes 6MT3/6220999109199.

Amendments

6. Amendments/changes to the catalogue will be published as and when necessary. They will be numbered consecutively and the 'Amendment Record Sheet' is to be completed for each 'Amendment List' embodied. A summary of 'Amendment Lists' distributed is published in Defence Council Instructions.

Abbreviations/Annotations

7. Abbreviations, Annotations and symbols used in this IPC have been approved and are listed separately.

Indentations

8. The indentation used in this IPC is the Dot System in which each 'dot' depicts the relationship of the item to the main assembly.

Other Information

9. Reference may be made throughout the text to the "left-hand" (lh) and "right-hand" (rh) side of the vehicle, rather than to the "near side" and "off side". The left-hand is that to the left hand when the vehicle is viewed from the rear.

Publication Information

10. Any communication regarding this IPC should be made to the controlling authority at the following address:- OIC, Army Cataloguing Agency (MT), Building 106, Chilwell, Beeston, Nottingham NG9 5HA.

ABBREVIATIONS

A	ampere
ac	alternating current
ACA/MT	Army Cataloguing Agency Motor Transport
A/F	across flats
Ah	ampere hour
ANC	American National Coarse Thread
ANF	American National Fine Thread
ANP	American National Pipe Thread
ANPT	American National Taper Pipe Thread
AR	as required
assy	assembly
BA	British Association Screw Thread
BC	bayonet cap
BSF	British Standard Fine Thread
BSP	British Standard Pipe Thread
BSW	British Standard Whitworth Thread
C	Celsius (Centigrade)
cc	cubic centimetre(s)
c to c	centre to centre
CH	chassis
CI	cast iron
circ	circumference
contd	continued
crs	Corrosion resistant steel
c/s	cycles per second
csk hd	countersunk head
Cts	contracts
cu in.	cubic inch(s)
dc	direct current
deg	degree(s)
dia	diameter
dim.	dimension(s)
dpdt	double pole, double throw
dpst	double pole, single throw
Eng	engine
ext	external
F	Fahrenheit
ft	foot (feet)
gal	gallon
galv	galvanised
gm	gramme
h	high (height)
hd	head
hex	hexagon
HT	high tension
in.	inch
int	internal
IPC	Illustrated Parts Catalogue
KPH	kilometres per hour
lg	long (length)
lh	left hand
LHD	left hand drive

ABBREVIATIONS - contd

m	metre(s)
max	maximum
MCC	miniature centre contact
MCI	malleable cast iron
MES	miniature Edison screw
min	minimum
mm	millimetre(s)
MPH	miles per hour
mtd	mounted
mtg	mounting
neg	negative
NI	Not Illustrated
No.	number(s)
NP	Non-Provided as a spare
NPTF	American Standard Taper Pipe Thread (Dryseal)
o/a	overall
od	outside diameter
pos	positive
psi	pounds per square inch
PTFE	polytetrafluoroethelene
PVC	polyvinyl chloride
qty	quantity
rd hd	round head
rh	right hand
RHD	right hand drive
SBC	single bayonet cap
SCC	single centre contact
sect	section
SI	Systeme International (thread)
spdt	single pole, double throw
spst	single pole, single throw
sq	square
std	standard
syn	synthetic
temp	temperature
thd	thread
thk	thick(ness)
tpi	threads per inch
UNC	Unified Coarse Thread
UNF	Unified Fine Thread
UNS	Unified Special Thread
u/o	used on
u/w	used with
V	volt(s)
veh	vehicle(s)
W	watt(s)
w	width
w/	with
w/o	without
Whit	Whitworth

ADDITIONAL INFORMATION

2320-L-701-711

This publication satisfies the following CHASSIS/BODY references, but demands for replacement parts should only be made against the contracts listed below:-

SERIAL NO	CHASSIS CONTRACT	RELATED BODY CONTRACT	SERVICE	NOMENCLATURE	NSN	VEH. CODE NO.	REMARKS
1	FVE21B/16 Item 1a	FVE21A/113 Item 1	ARMY	TRUCK, CARGO, 8t, 4x4, Bedford MNV3NP0	2320-99-893-4959 (RHD)	2390-0893	
2	FVE21B/16 Item 1b	FVE21A/113 Item 1	ARMY	TRUCK, CARGO, 8t, 4x4, Bedford MNV3NP0	2320-99-893-4959 (RHD)	2390-0893	
3	FVE21B/16 Item 1c	FVE21A/113 Item 2	RAF	TRUCK, CARGO, 8t, 4x4, Bedford MNV3NP0	2320-99-893-4959 (RHD)	2390-0893	
4	FVE21B/16 Item 2a	FVE21A/113 Item 3	ARMY	TRUCK, CARGO, 8t, 4x4, Bedford MNV3NP0	2320-99-893-4960 (LHD)	2390-5893	
5	FVE21B/16 Item 2b	FVE21A/113 Item 3	ARMY	TRUCK, CARGO, 8t, 4x4, Bedford MNV3NP0	2320-99-893-4960 (LHD)	2390-5893	
6	FVE21B/16 Item 3a	FVE21A/113 Item 4	ARMY	TRUCK, FLAT PLATFORM; w/2t crane, 8t, 4x4, Bedford MNV3NP0	2320-99-893-4961 (RHD)	2394-0893	
7	FVE21B/16 Item 3b	FVE21A/113 Item 4	ARMY	TRUCK, FLAT PLATFORM; w/2t crane, 8t, 4x4, Bedford MNV3NP0	2320-99-893-4961 (RHD)	2394-0893	
8	FVE21B/16 Item 4a	FVE21A/113 Item 5	ARMY	TRUCK, FLAT PLATFORM; w/2t crane, 8t, 4x4, Bedford MNV3NP0	2320-99-893-4962 (LHD)	2394-5893	
9	FVE21B/16 Item 4b	FVE21A/113 Item 5	ARMY	TRUCK, FLAT PLATFORM; w/2t crane, 8t, 4x4, Bedford MNV3NP0	2320-99-893-4962 (LHD)	2394-5893	
10	FVE21B/16 Item 4c	FVE21A/113 Item 5	ARMY	TRUCK, FLAT PLATFORM; w/2t crane, 8t, 4x4, Bedford MNV3NP0	2320-99-893-4962 (LHD)	2394-5893	
11	FVE21B/16 Item 5a	FVE21A/113 Item 6	ARMY	TRUCK, CARGO; w/winch, 8t, 4x4, Bedford MNV3NP0	2320-99-893-4963 (RHD)	2392-0893	

ADDITIONAL INFORMATION

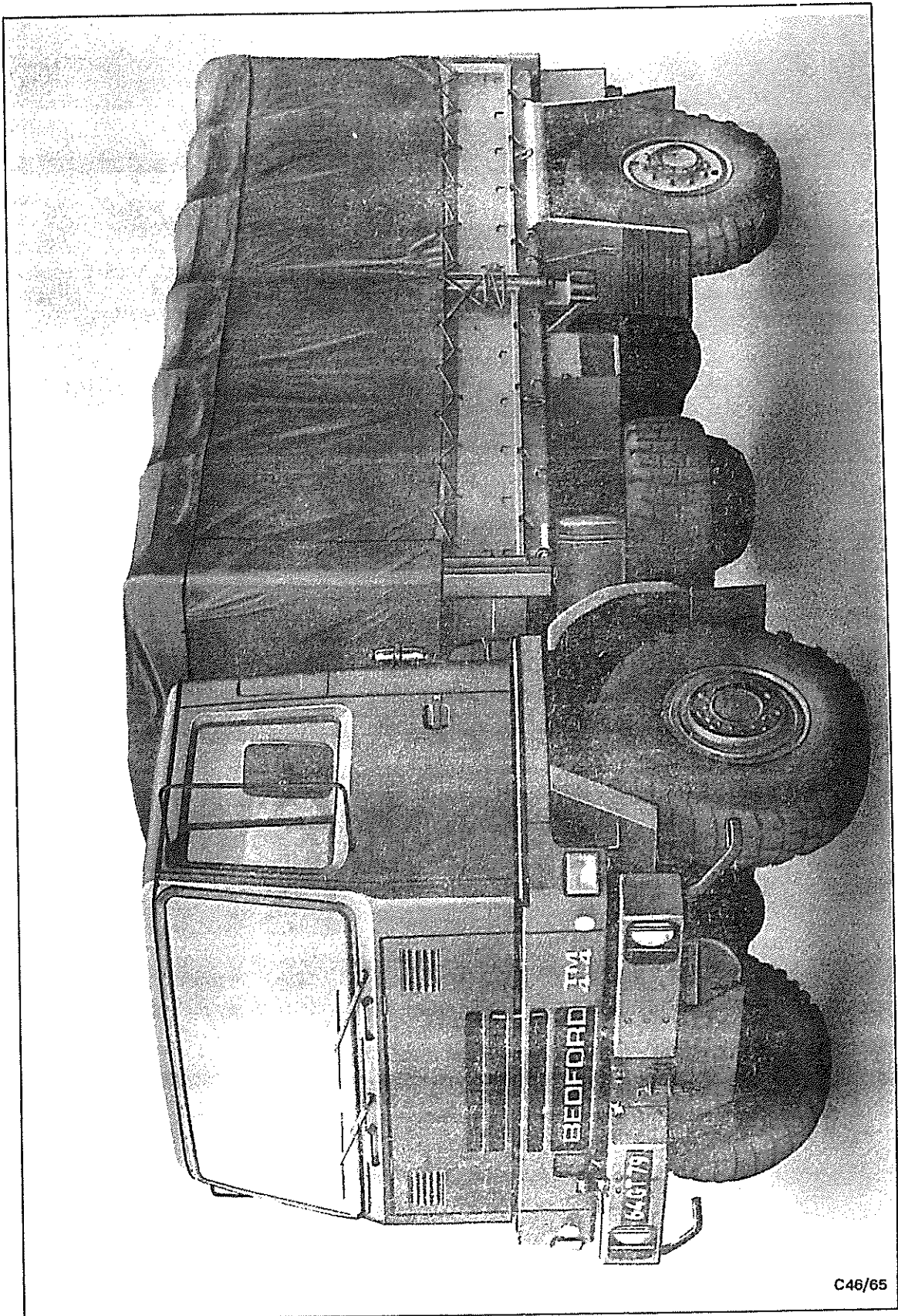
This publication satisfies the following CHASSIS/BODY references, but demands for replacement parts should only be made against the contracts listed below:--

SERIAL NO	CHASSIS CONTRACT	RELATED BODY CONTRACT	SERVICE	NOMENCLATURE	NSN	VEH. CODE NO.	REMARKS
12	FVE21B/16 Item 5b	FVE21A/113 Item 6	ARMY	TRUCK, CARGO; w/winch, 8t, 4x4, Bedford WNV3NPO	2320-99-893-4963 (RHD)	2392-0893	
13	FVE21B/16 Item 5c	FVE21A/113 Item 6	RAF	TRUCK, CARGO; w/winch, 8t, 4x4, Bedford WNV3NPO	2320-99-893-4963 (RHD)	2392-0893	
14	FVE21B/16 Item 6a	FVE21A/113 Item 7	ARMY	TRUCK, CARGO; w/winch, 8t, 4x4, Bedford WNV3NPO	2320-99-893-4964 (LHD)	2392-5893	
15	FVE21B/16 Item 6b	FVE21A/113 Item 7	ARMY	TRUCK, CARGO; w/winch, 8t, 4x4, Bedford WNV3NPO	2320-99-893-4964 (LHD)	2392-5893	
16	FVE21B/16 Item 9a	N/A	ARMY	TRUCK, TIPPER, 8t, 4x4, Bedford WNV6NPO	2320-99-893-4965 (LHD)	2404-5894	
17	FVE21B/16 Item 9b	N/A	ARMY	TRUCK, TIPPER, 8t, 4x4, Bedford WNV6NPO	2320-99-893-4965 (LHD)	2404-5894	
18	FVE21B/248 Item 1	FVE21A/2781	ARMY	TRUCK, FLAT PLATFORM, w/2 tonne crane, 8 tonne, 4 x 4, Bedford WNV3NPO	2320-99-893-4961 (RHD)	2394-0893	
19	FVE21B/248 Item 2	FVE21A/2782	ARMY	TRUCK, FLAT PLATFORM, w/2 tonne crane, 4x4, Bedford WNV3NPO	2320-99-893-4962 (LHD)	2394-5893	
20	FVE21B/248 Item 3	N/A	ARMY	TRUCK, TIPPER, 8 tonne, 4x4, Bedford WNV6NPO	2320-99-893-4965 (LHD)	2404-5894	

GENERAL CONTENTS

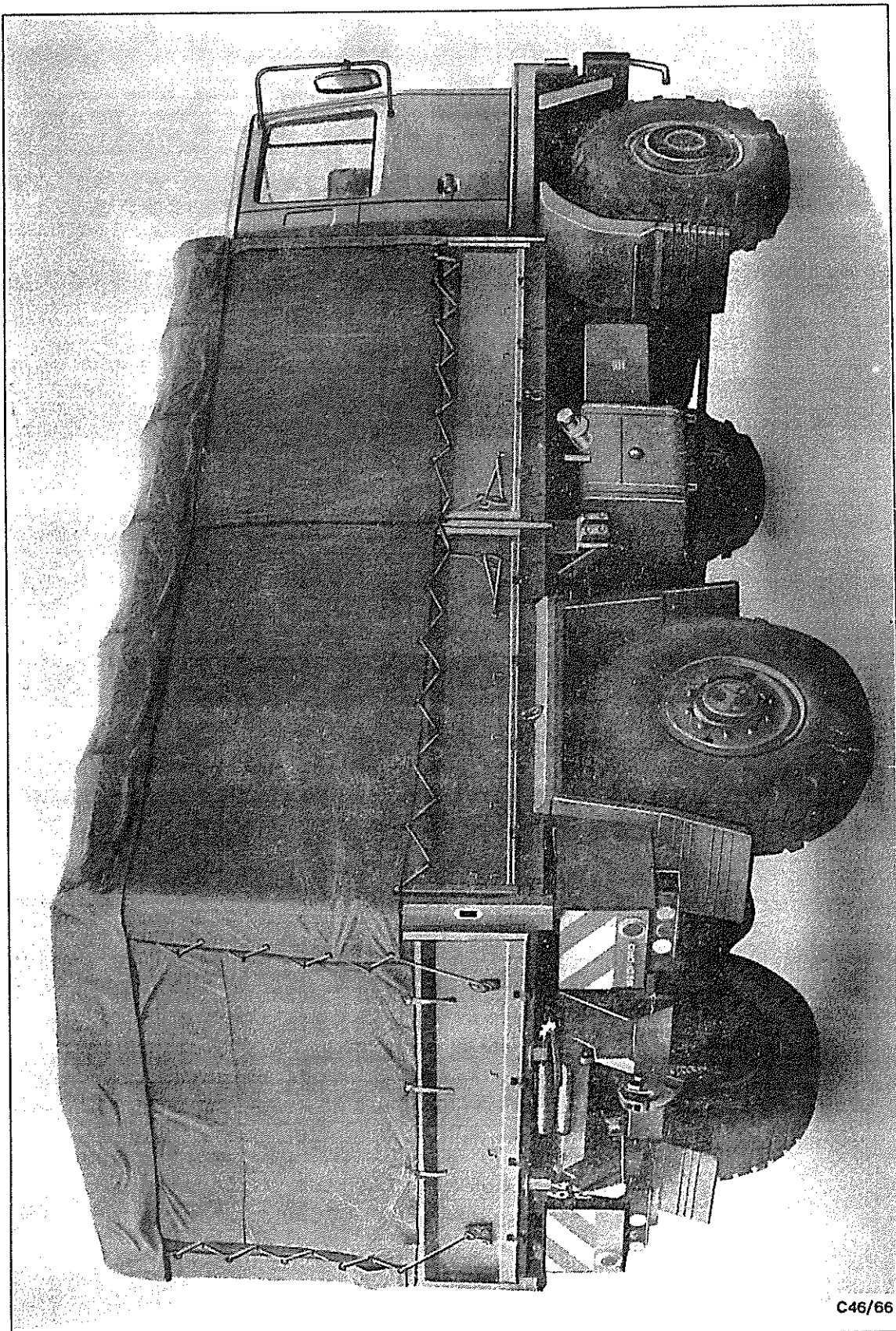
	Page
Amendment Record	iii/iv
Preface	v
List of Abbreviations	vi/vii
Additional Information	viii/ix

	Chapter
Index of Main Assemblies and List of Illustration throughout the IPC	1
Parts List	2
Index of NATO Stock Numbers	3
Index of Part/Drawing Numbers	4



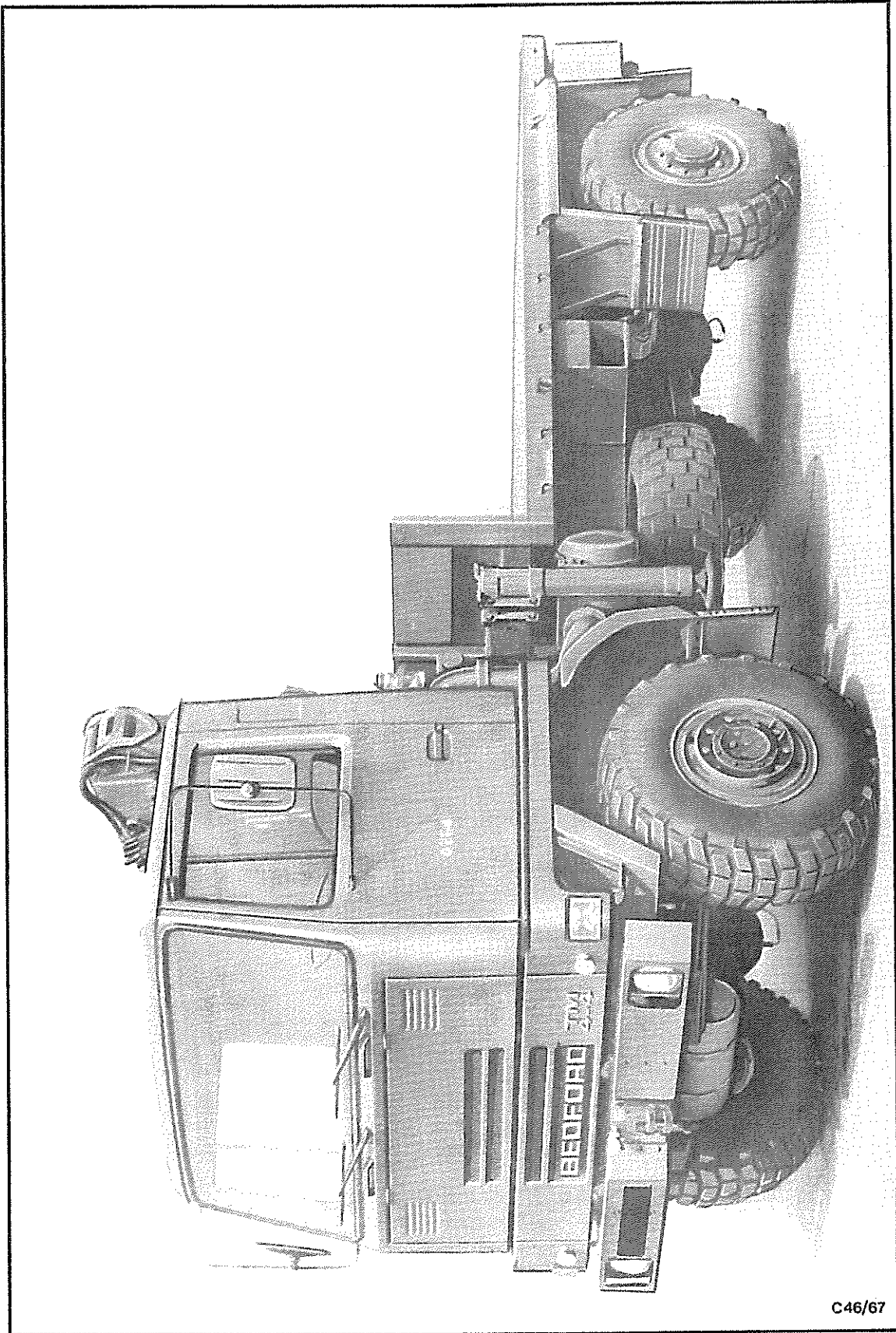
C46/65

Cargo truck-front



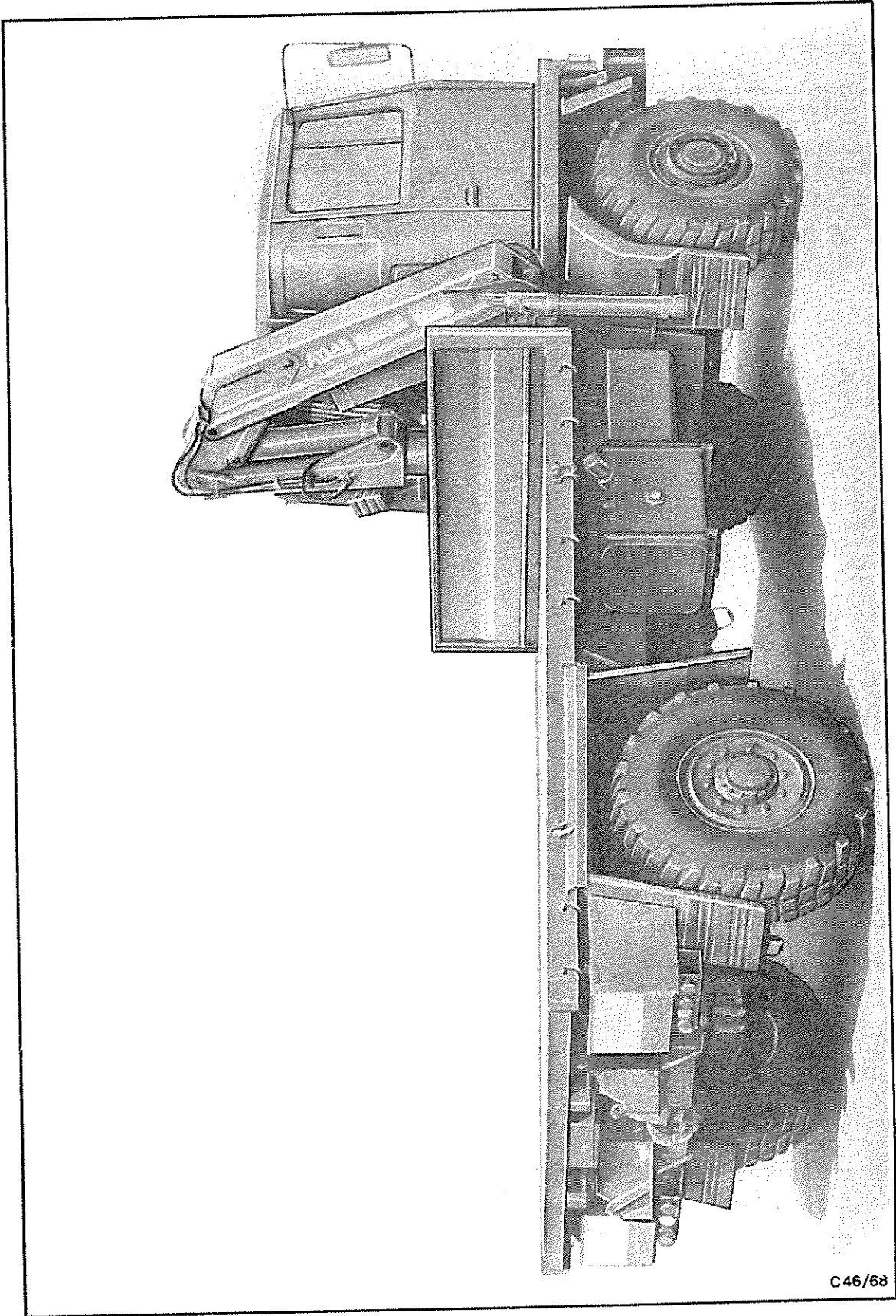
C46/66

Cargo truck-rear

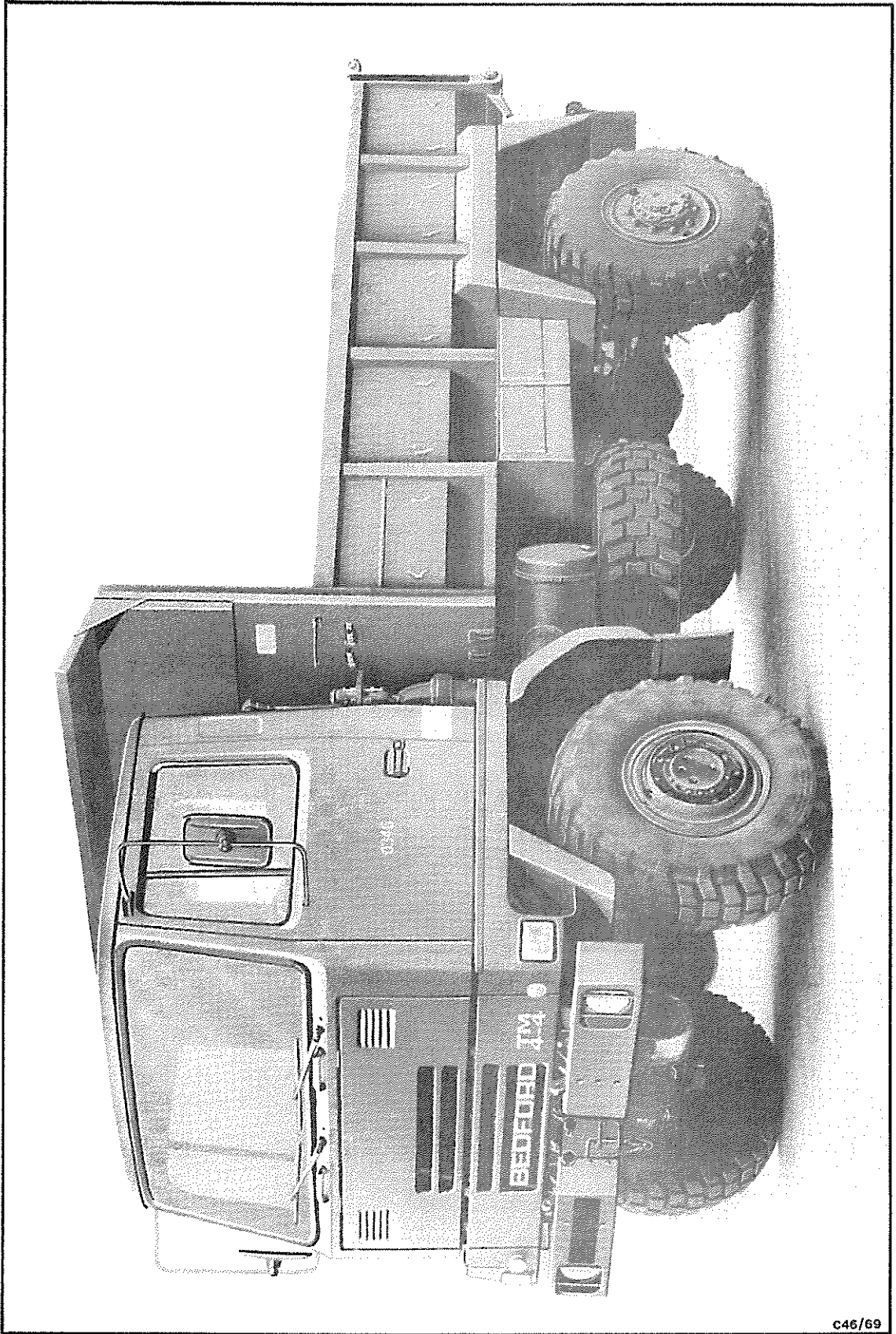


C46/67

Flat platform truck-front

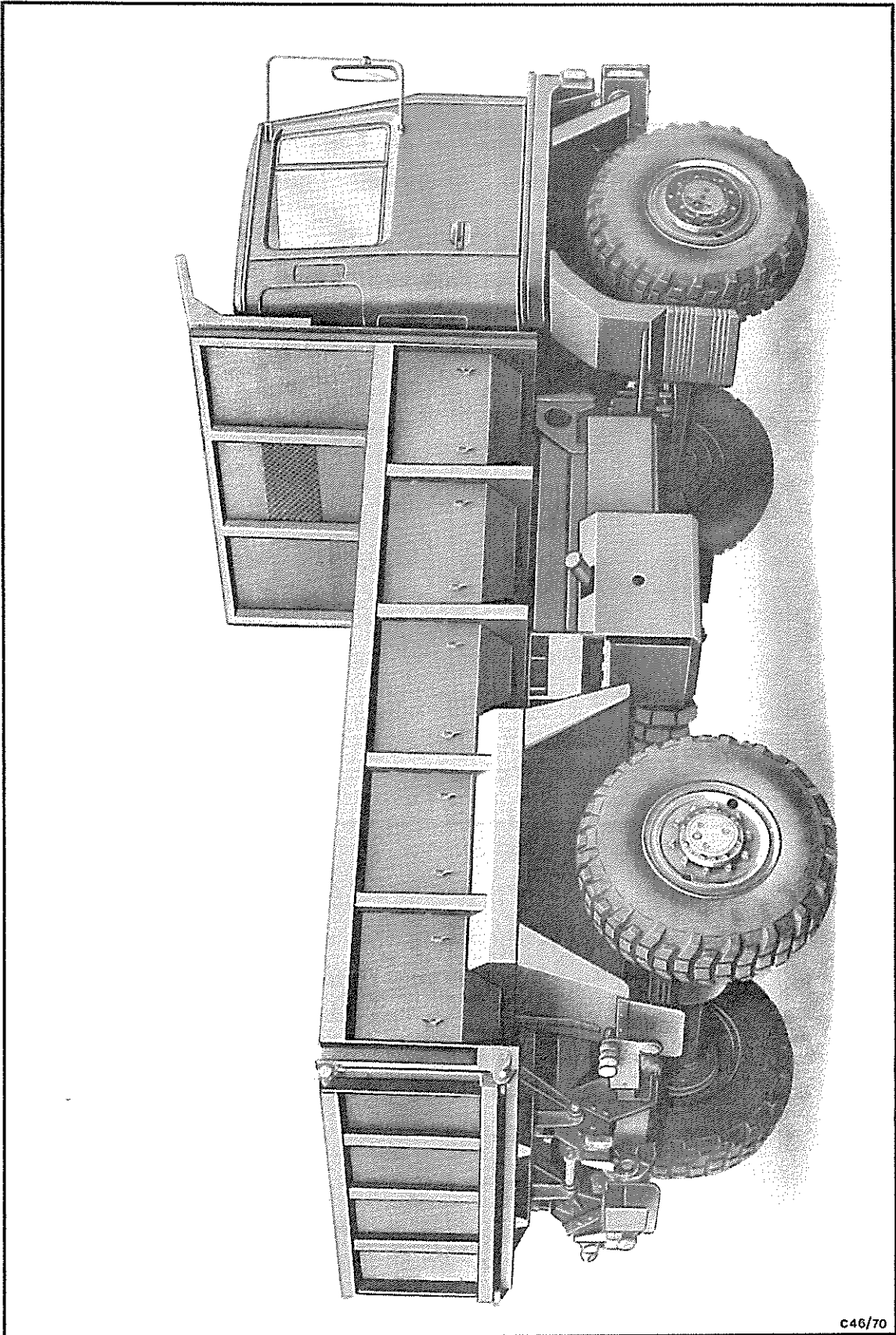


Flat platform truck-rear



C46/69

Fig 5 Tipper truck - front



c46/70

Fig 6 Tipper truck - rear

CHAPTER 1

INDEX OF MAIN ASSEMBLIES AND LIST OF ILLUSTRATIONS THROUGHOUT IPC

Issued Nov. 1983

INDEX OF MAIN ASSEMBLIES

<u>Item</u>	<u>Sub/Chap.</u>	<u>Page</u>
POWER UNIT	2-1	
ENGINE	2-1	1
AIR CLEANER	2-1	52
ALTERNATOR	2-1	42
CLUTCH	2-1	36
COMPRESSOR	2-1	46
COOLANT PUMP	2-1	37
FUEL INJECTION PUMP	2-1	23
INJECTORS	2-1	33
POWER STEERING PUMP	2-1	44
STARTER	2-1	38
TURBOCHARGER	2-1	17
COOLING SYSTEM	2-2	
FUEL SYSTEM	2-3	
EXHAUST SYSTEM	2-4	
TRANSMISSION	2-5	
FRONT AXLE	2-5	18
FRONT BRAKES	2-5	26
GEARBOX	2-5	1
POWER TAKE-OFF	2-5	16
REAR AXLE	2-5	28
REAR BRAKES	2-5	33
TRANSFER GEARBOX	2-5	12
WHEELS AND TYRES	2-5	35
CONTROLS	2-6	
AIR PRESSURE SYSTEM	2-6	11
STEER GEAR	2-6	8
BODY-FLAT PLATFORM	2-7-1	
BODY-CARGO	2-7-2	
BODY-TIPPER	2-7-3	
FRAME AND SUSPENSION	2-8	
CAB	2-9	
CAB TILT	2-9	27
DOORS	2-9	7
HEATING AND VENTILATION SYSTEM	2-9	11
INSTRUMENT PANEL	2-9	19

INDEX OF MAIN ASSEMBLIES - contd

<u>Item</u>	<u>Sub/Chap.</u>	<u>Page</u>
ELECTRICAL EQUIPMENT	2-10	
BATTERIES	2-10	10
INSTRUMENTS	2-10	1
LIGHTS	2-10	7
WIRING HARNESSSES	2-10	13
WINCH	2-11	
HYDRAULIC TIPPING GEAR	2-12	
CRANE	2-13	
WINTERISATION KIT	2-14	

LIST OF ILLUSTRATIONS

<u>Item</u>	<u>Sub/Chap</u>	<u>Fig No.</u>
POWER UNIT	2-1	
AIR FILTER INLET PIPE	2-1	35
AIR FILTER OUTLET PIPE	2-1	34
AIR INTAKE PIPE	2-1	36
ALTERNATOR	2-1	27
BOOST PIPE	2-1	33
COMPRESSOR, CRANKCASE AND HEAD	2-1	30
COMPRESSOR, CRANKSHAFT AND PISTONS	2-1	31
CRANKSHAFT	2-1	2
CYLINDER BLOCK	2-1	1
CYLINDER HEAD	2-1	5
ENGINE MOUNTINGS	2-1	32
ENGINE VENTILATION PIPE	2-1	10
EXHAUST MANIFOLD	2-1	12
FLYWHEEL AND CLUTCH	2-1	23
FUEL FILTER (PRIMARY)	2-1	15
FUEL FILTER (SECONDARY)	2-1	17
FUEL PIPES	2-1	21
FUEL PIPES (INJECTOR SYSTEM)	2-1	22
FUEL PUMP	2-1	16
FUEL INJECTION PUMP	2-1	18
FUEL INJECTION PUMP-BOOST CONTROL UNIT	2-1	19
FUEL INJECTION PUMP-GOVERNOR	2-1	20
INLET MANIFOLD	2-1	11
OIL COOLER	2-1	9
OIL FILTER	2-1	8
OIL PUMP	2-1	4
PISTONS AND CONNECTING RODS	2-1	3
STARTER MOTOR	2-1	25
STARTER SOLENOID	2-1	26
STEERING PUMP (HOBOURNE-EATON)	2-1	29
STEERING PUMP (PLESSEY)	2-1	28
THERMOSTAT HOUSING	2-1	6
TIMING CASE	2-1	7
TURBOCHARGER (AIRESEARCH)	2-1	14
TURBOCHARGER (HOLSET)	2-1	13
WATER PUMP	2-1	24
COOLING SYSTEM	2-2	
RADIATOR	2-2	1
RADIATOR MOUNTINGS	2-2	2
FUEL SYSTEM	2-3	
FUEL SYSTEM	2-3	1

LIST OF ILLUSTRATIONS - contd

<u>Item</u>	<u>Sub/Chap</u>	<u>Fig No.</u>
EXHAUST SYSTEM	2-4	
EXHAUST PIPE	2-4	1
SILENCER AND FITTINGS	2-4	2
TRANSMISSION	2-5	
CLUTCH RELEASE MECHANISM	2-5	6
COUNTERSHAFT AND GEARS	2-5	3
FORKS AND RODS	2-5	4
FRONT BRAKE ASSEMBLY	2-5	13
FRONT DRIVE HUB	2-5	12
FRONT DIFFERENTIAL AND HOUSING	2-5	9
FRONT DRIVE SHAFT AND HUB	2-5	10
GEAR SHIFT CONTROL	2-5	5
MAINSHAFT AND GEARS	2-5	2
POWER TAKE-OFF	2-5	8
REAR BRAKE ASSEMBLY	2-5	16
REAR DRIVE HUB	2-5	15
REAR DIFFERENTIAL AND HOUSING	2-5	14
STEERING HUB	2-5	11
TRANSFER GEARBOX	2-5	7
TRANSMISSION CASE AND COVERS	2-5	1
CONTROLS	2-6	
ACCELERATOR	2-6	1
AIR PRESSURE SYSTEM	2-6	10
AIR PRESSURE SYSTEM	2-6	11
AIR PRESSURE SYSTEM	2-6	12
AIR PRESSURE SYSTEM	2-6	13
AIR PRESSURE SYSTEM	2-6	14
AIR PRESSURE SYSTEM	2-6	15
AIR PRESSURE SYSTEM	2-6	16
AIR PRESSURE SYSTEM	2-6	17
AIR PRESSURE SYSTEM	2-6	18
AIR PRESSURE SYSTEM	2-6	19
BRAKE PEDAL	2-6	4
CLUTCH PEDAL	2-6	2
CLUTCH PIPES	2-6	3
EXCESS FUEL CONTROL	2-6	6
GEARSHIFT	2-6	5
IDLE CONTROL	2-6	7
STEERING GEAR	2-6	8
STEERING GEAR RESERVOIR	2-6	9
BODY-FLAT PLATFORM	2-7-1	
BODY	2-7-1	1

LIST OF ILLUSTRATIONS - contd

<u>Item</u>	<u>Sub/Chap</u>	<u>Fig No.</u>
BODY-CARGO	2-7-2	
BODY	2-7-2	1
BODY-TIPPER	2-7-3	
BODY	2-7-3	1
FRAME AND SUSPENSION	2-8	
FRONT BUMPER AND STEP	2-8	1
FRONT SHOCK ABSORBER	2-8	3
FRONT SPRING	2-8	2
REAR SHOCK ABSORBER	2-8	5
REAR SPRING	2-8	4
TOWING ATTACHMENTS	2-8	6
CAB	2-9	
CAB HEATER, CASING	2-9	5
CAB HEATER, RADIATOR	2-9	6
CAB HEATER, MOTOR	2-9	7
CAP PLATFORM BOX	2-9	4
DOOR ASSEMBLY	2-9	3
FACIA VENTILATOR	2-9	10
FRONT CAB MOUNTING	2-9	16
FRONT PANEL ASSEMBLY	2-9	2
HEATER CONTROLS	2-9	9
HEATER PIPES	2-9	8
HIP RING AND COVER	2-9	1
INSTRUMENT PANEL	2-9	13
REAR CAB MOUNTING	2-9	17
RIFLE STOWAGE	2-9	14
SEAT ASSEMBLY	2-9	15
TILT MECHANISM	2-9	19
TILT MECHANISM	2-9	20
TILT PUMP	2-9	18
WINDSCREEN WASHER	2-9	11
WINDSCREEN WIPER	2-9	12
ELECTRICAL EQUIPMENT	2-10	
CONSOL AND SWITCH PANEL	2-10	2
HEADLIGHTS	2-10	6
INSTRUMENT PANEL	2-10	1
JUNCTION BOX	2-10	5
SIDELIGHTS AND TURNLIGHTS	2-10	7
SWITCH UNIT STEER COLUMN	2-10	4
TAILLIGHTS	2-10	8
WARNING SWITCHES AND BUZZERS	2-10	3

LIST OF ILLUSTRATIONS - contd

<u>Item</u>	<u>Sub/Chap</u>	<u>Fig No.</u>
WINCH	2-11	
AIR PRESSURE CYLINDER	2-11	2
FRONT FAIRLEAD	2-11	6
LOAD LIMITER	2-11	3
PAY ON GEAR	2-11	4
REAR FAIRLEAD AND ROPE TENSIONER	2-11	5
WINCH DRUM AND DRIVE SHAFT	2-11	1
HYDRAULIC TIPPING GEAR	2-12	
ADAPTOR	2-12	2
CONTROL UNIT	2-12	5
POWER TAKE-OFF	2-12	1
PUMP ASSEMBLY	2-12	3
RAM TANK	2-12	8
VALVE ASSEMBLY	2-12	4
VALVE ASSEMBLY	2-12	6
VALVE ASSEMBLY	2-12	7
CRANE	2-13	
ADAPTOR POWER TAKE-OFF	2-13	22
BOOM	2-13	30
CENTRE COLUMN	2-13	29
CONTROL CABLE	2-13	28
COUPLING	2-13	20
CRANE BASE	2-13	26
CRANE CONTROLS	2-13	27
HYDRAULIC HOSES	2-13	1
HYDRAULIC HOSES	2-13	10
HYDRAULIC PIPES AND FITTINGS	2-13	2
HYDRAULIC PIPES AND FITTINGS	2-13	3
JIB	2-13	31
LOAD HOOK	2-13	32
OIL TANK	2-13	8
OIL TANK	2-13	9
POWER TAKE-OFF	2-13	23
PUMP	2-13	21
PUMP	2-13	25
RAM CYLINDER JIB	2-13	11
RAM CYLINDER JIB	2-13	12
RAM CYLINDER JIB EXTENSION	2-13	15
RAM CYLINDER LIFTING	2-13	13
RAM CYLINDER SLEWING	2-13	19
RAM CYLINDER STABILIZER	2-13	18
SELECTOR POWER TAKE-OFF	2-13	24
SWIVEL JOINT	2-13	17

LIST OF ILLUSTRATIONS - contd

<u>Item</u>	<u>Sub/Chap</u>	<u>Fig No.</u>
CRANE - contd	2-13	
VALVE ASSEMBLY CONTROL	2-13	5
VALVE BRAKE	2-13	6
VALVE LOAD HOLDING	2-13	14
VALVE LOAD HOLDING	2-13	16
VALVE DOUBLE NON-RETURN	2-13	7
VALVE DOUBLE RELIEF	2-13	4

CHAPTER 2
PARTS LIST

Issued Nov. 1983

12

ARMY EQUIPMENT
SUPPORT PUBLICATION

2320-L-701-711

CHAPTER 2-1
POWER UNIT

GA

Issued Nov. 1983

r

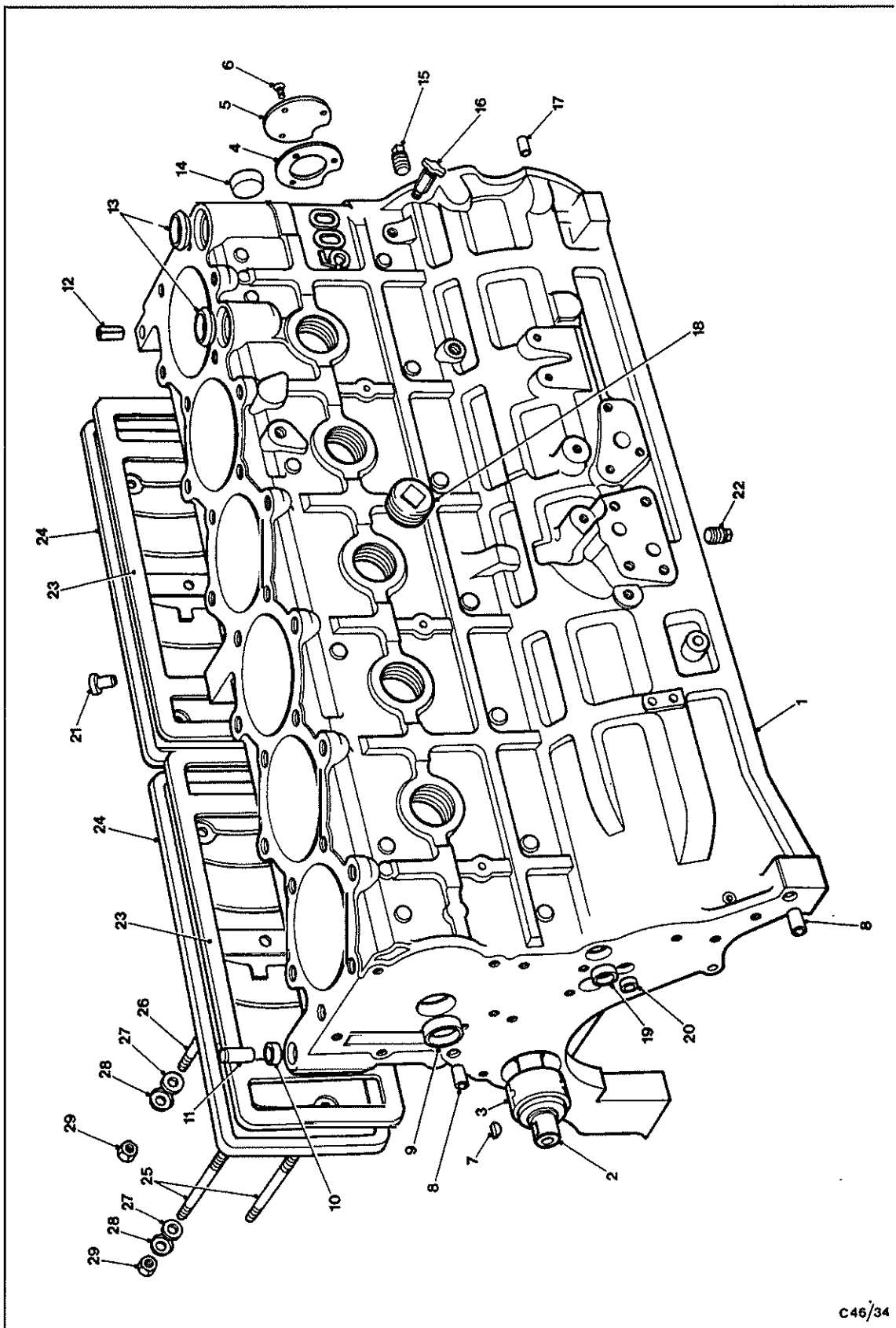
1

411



FIG ITEM	MAN CODE		NATO STOCK NUMBER	ITEM NAME AND DESCRIPTION	PART NO./ DRAWING NO.	NO. OFF	ANNOTATIONS
	NAVY - N	ARMY - A RAF - R					
NI	A	7BD	2815-99-831-8121	.ENGINE, DIESEL, 6 cyl, 8.2 litres, turbocharged	91054851	1	For vehs fitted w/winch
NI	A	7BD	2815-99-831-8120	.ENGINE, DIESEL, 6 cyl, 8.2 litres, turbocharged	91054850	1	For vehs not fitted with winch

15

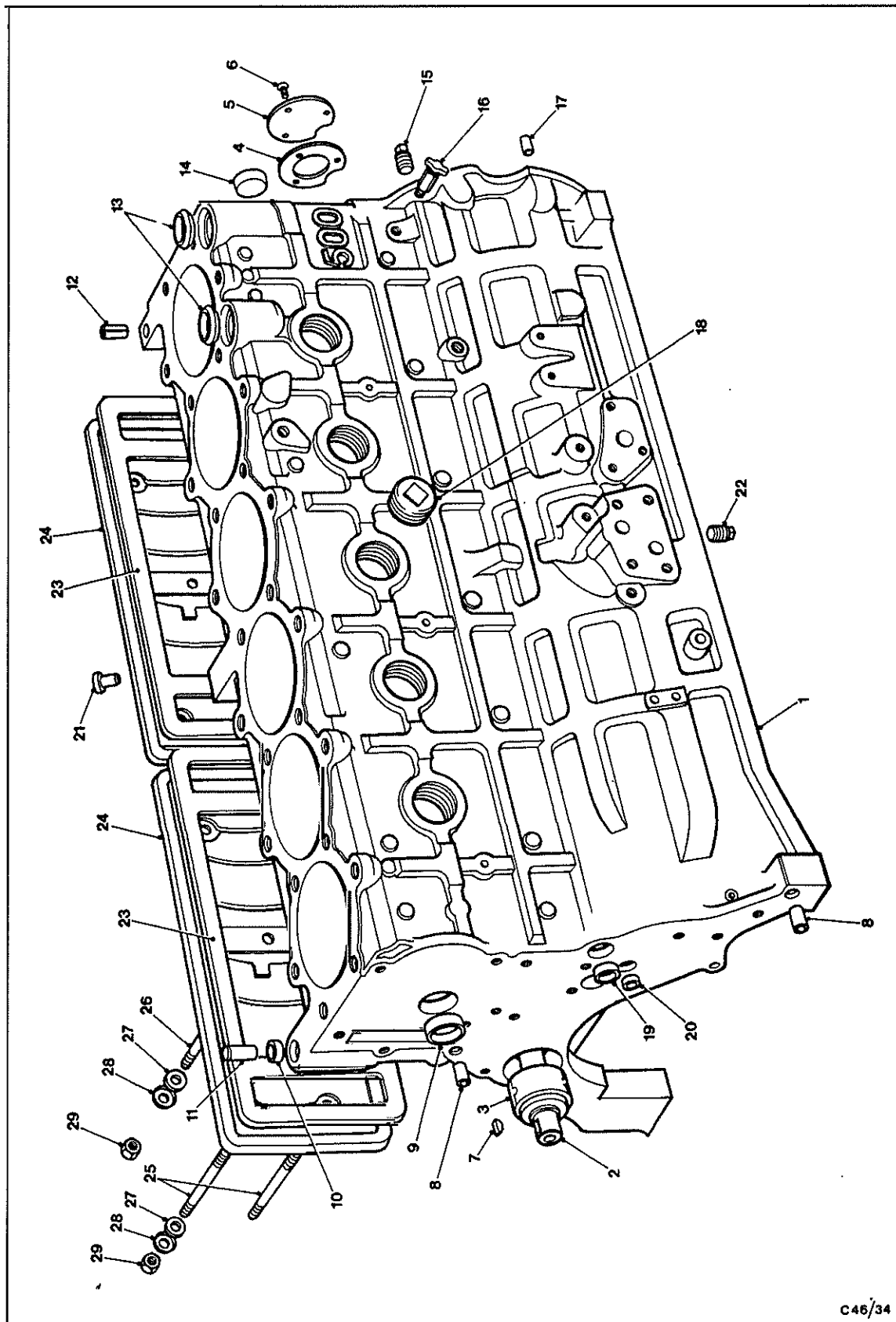


Chap 2 - 1

Fig1 Cylinder block

C46/34

FIG ITEM	MAN CODE NAVY - N ARMY - A RAF - R	NATO STOCK NUMBER	ITEM NAME AND DESCRIPTION	PART NO./ DRAWING NO.	NO. OFF	ANNOTATIONS
Fig 1			ENGINE - contd			
2	A	7BD	2815-99-829-4639	9968224	1	
3	A	7BD	3120-99-818-9275	7206269	1	Front
NI	A	7BD	3120-99-818-9276	7206270	1	Front inter- mediate
NI	A	7BD	3120-99-818-9278	7206272	1	Rear inter- mediate
NI	A	7BD	3120-99-818-9277	7206271	1	Rear
4	A	7BD	5330-99-830-7319	9967478	1	
5	A	7BD	3110-99-830-7318	9967479	1	
6	A	G1	5305-99-139-5552		3	
NI	A	7BD	3120-99-874-1735	7150650	1	
7	A	6MT1	5315-99-816-6236		1	
8	A	7BD	2815-99-819-1665	7173427	2	
9	A	7BD	5340-99-832-5189	91046267	1	
10	A	7BD	5330-99-829-4619	91020847	1	
11	A	7BD	2815-99-838-4748	6397412	1	
12	A	7BD	5315-99-803-4387	453675	1	
13	A	7BD	5330-99-829-5008	8839241	3	
14	A	7BD	4730-99-838-4136	91054700	1	
15	A	7BD	4730-99-833-4061	7115238	1	
16	A	7BD	2930-99-895-2647	7057770	1	
17	A	NP		345423	4	
18	A	7BD	4730-99-829-4616	91022172	8	
19	A	7BD	5340-99-874-0908	7124923	1	
20	A	7BD	5330-99-829-4626	91024410	1	
21	A	7BD	2815-99-830-7322	8855991	1	
23	A	7BD	2815-99-817-6597	7173283	2	
24	A	7BD	2815-99-838-4758	91033254	2	



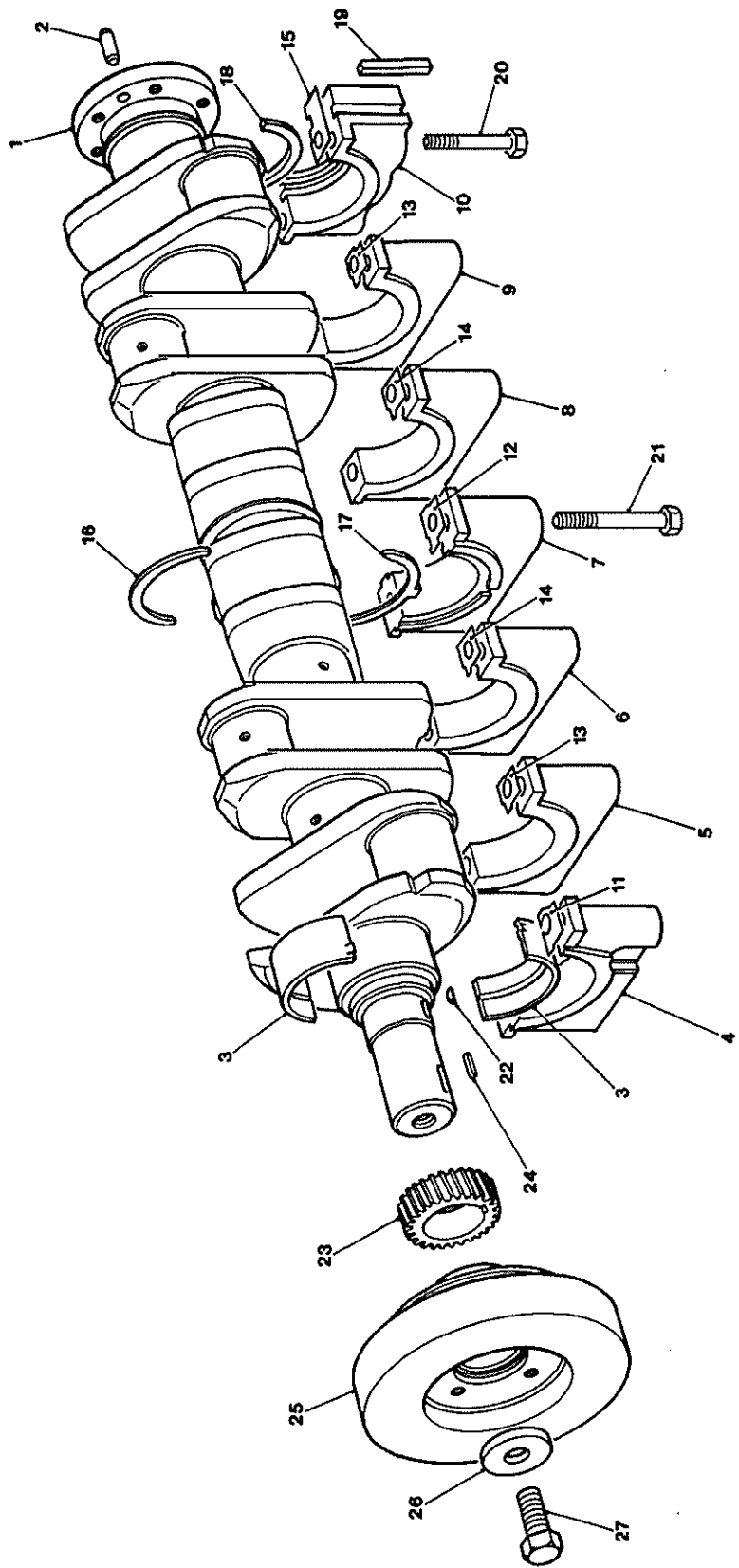
C46/34

Chap 2 - 1

Fig1 Cylinder block

FIG ITEM	MAN CODE NAVY - N ARMY - A RAF - R	NATO STOCK NUMBER	ITEM NAME AND DESCRIPTION	PART NO./ DRAWING NO.	NO. OFF	ANNOTATIONS
Fig 1						
25	A 7BD	5307-99-136-5409	ENGINE - contd .CYLINDER BLOCK - contd	7173285	2	
26	A 7BD	5307-99-139-5242	..STUD, PLAIN			
27	A 7BD	5330-99-136-5410	..STUD, PLAIN, UNC/UNF, steel, 5/16 in. x 3.58 in. o/a lg	8855989	8	
28	A 7BD	5310-99-136-5411	..GASKET, cork	7191998	10	
29	A G1	5310-99-941-3525	..WASHER, finishing	7191999	10	
			..NUT, SELF-LOCKING, HEXAGON, UNF, steel, 5/16 in.		10	

19

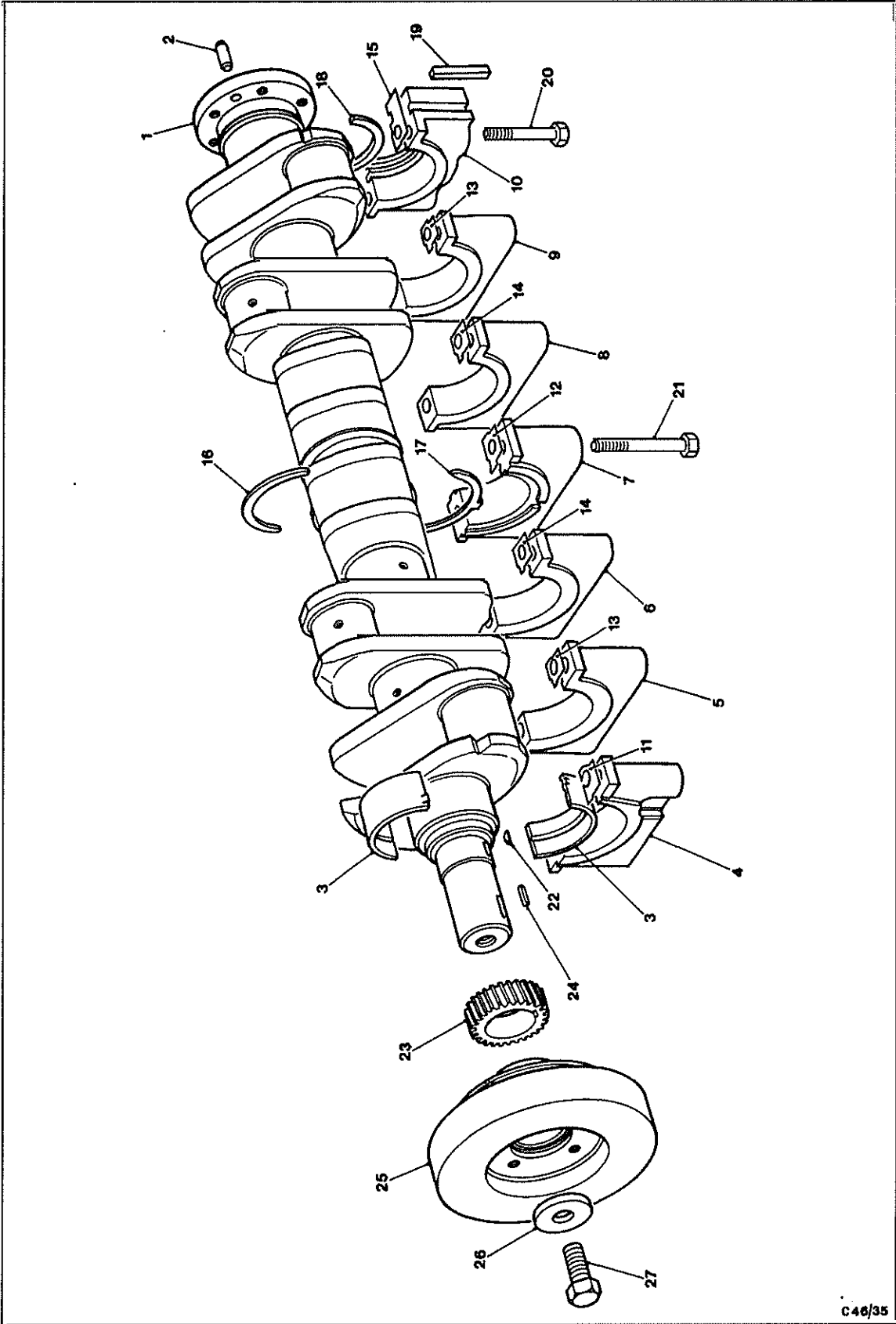


C48/35

Fig 2 Crankshaft

9.0

FIG ITEM	MAN CODE NAVY - N ARMY - A RAF - R	NATO STOCK NUMBER	ITEM NAME AND DESCRIPTION	PART NO./ DRAWING NO.	NO. OFF	ANNOTATIONS
Fig 2			ENGINE - contd			
1,2	A	7ED	2815-99-838-4137	9968220	1)Use up to)engine No.)7420099
2	A	7ED	5315-99-833-1242	6317742	2	
NI	A	7ED	2815-99-740-8033	91105302	1)Use from)engine No.)7420100
3	A	7ED	3120-99-829-5397	91023412	1set)
	A	7ED	3120-99-829-4176	91023414	AR	
11	A	7ED	5365-99-818-9282	7213055))
	A	7ED	5365-99-818-9287	7213056		
12	A	7ED	5365-99-818-9283	7213057))
	A	7ED	5365-99-818-9288	7213058		
13	A	7ED	5365-99-818-9285	7213061)AR)
	A	7ED	5365-99-818-9290	7213062		
14	A	7ED	5365-99-818-9286	7213063))
	A	7ED	5365-99-818-9291	7213064		
15	A	7ED	5365-99-818-9284	7213059))
	A	7ED	5365-99-818-9289	7213060		
16	A	7ED	3120-99-838-4138	91068505	2)
17	A	7ED	3120-99-838-4139	91068508	2	
16	A	7ED	3120-99-836-1396	91068506	2)
17	A	7ED	3120-99-838-4140	91068509	2	
16	A	7ED	3120-99-836-1397	91068507	2)
17	A	7ED	3120-99-838-4141	91068510	2	
18	A	7ED	2815-99-818-9274	7159753	2)Use up)to engine)No.)7410330
NI	A	7ED	2815-99-777-8866	91089960	1)Use from)engine No.)7410331 to)7420099
19	A	7ED	2815-99-838-4142	91063138	24)
20	A	7ED	5306-99-838-4144	91050844	2	
NI	A	7ED	2815-99-760-7377	91105166	1)
NI	A	7ED	5330-99-740-8034	91105168	1	
NI	A	7ED	5330-99-740-8035	91105167	1)From)engine No.)7420100
NI	A	7ED	2815-99-740-8036	91105467	2)
NI	A	G1	5305-99-122-8586		6	
NI	A	G1	5310-99-208-6457		6)



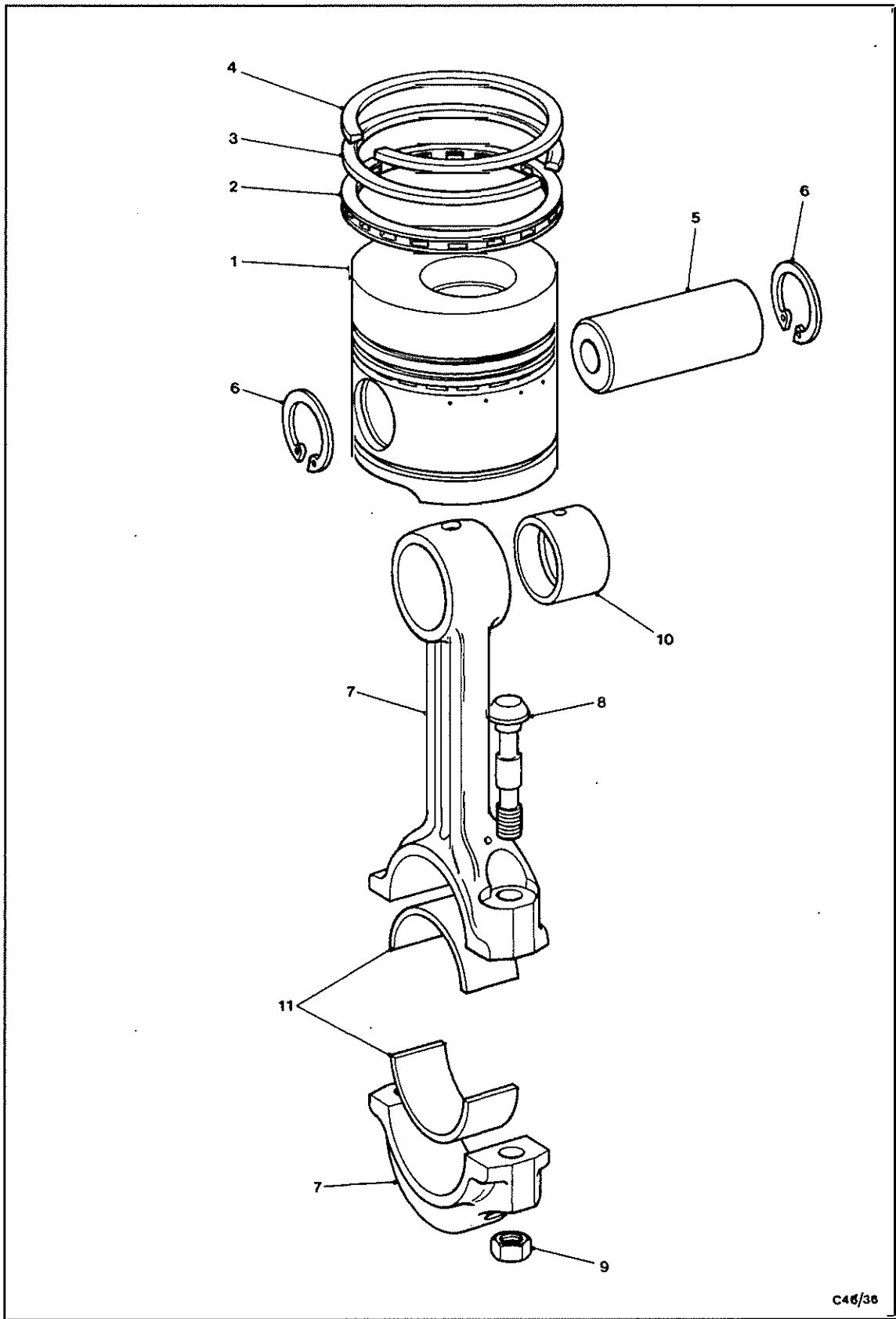
C48/35

Chap 2 - 1

Fig 2 Crankshaft

FIG ITEM	MAN CODE NAVY - N ARMY - A RAF - R	NATO STOCK NUMBER	ITEM NAME AND DESCRIPTION	PART NO./ DRAWING NO.	NO. OFF	ANNOTATIONS
Fig 2						
NI	A G1	5305-99-122-3077	ENGINE - contd ..CRANKSHAFT - contd ..SCREW, SOCKET HEAD, steel, 6 mm x 1 mm pitch x 25 mm lg		2)From)engine No.)7420100 to)7426184
NI	A 7BD	5305-99-760-7396	..SCREW, SOCKET HEAD, steel, hex drive, 6 mm x 1 mm pitch x 20 mm lg	11042802	2)From)engine No.)7426185
NI	A 7BD	5365-99-769-3616	..SPACER, RING, steel, 158 mm od x 2.50 mm thk	91105305	2	From engine No. 7420100
21	A 7BD	5306-99-838-4143	..BOLT, EXTERNALLY RELIEVED BODY, UNC, steel, hex hd, 9/16 in. x 4-1/4 in.	91050843	12	
22	A 7BD	5315-99-139-0628	..KEY, WOODRUFF, steel, 3/4 in. circle dia, 3/16 in. thk	8855967	1	
23	A 7BD	3020-99-835-0916	..GEAR, HELICAL, steel, 28 teeth, 51.041 mm id, 83.56 mm od, 31.5 mm lg	91049616	1	
24	A G1	5315-99-136-0577	..KEY, MACHINE, steel, 3/8 in. w, 1/4 in. h, 1-1/2 in. lg		1	
25	A 7BD	2815-99-832-6848	..PULLEY AND DAMPER, rubber bonded, 50.86 mm id, 217.5 mm od, 101 mm w	91035209	1	
26	A 7BD	5310-99-838-4746	..WASHER, FLAT, steel, zinc coated, 20 mm id, 62 mm od, 9 mm thk	91066526	1	

27



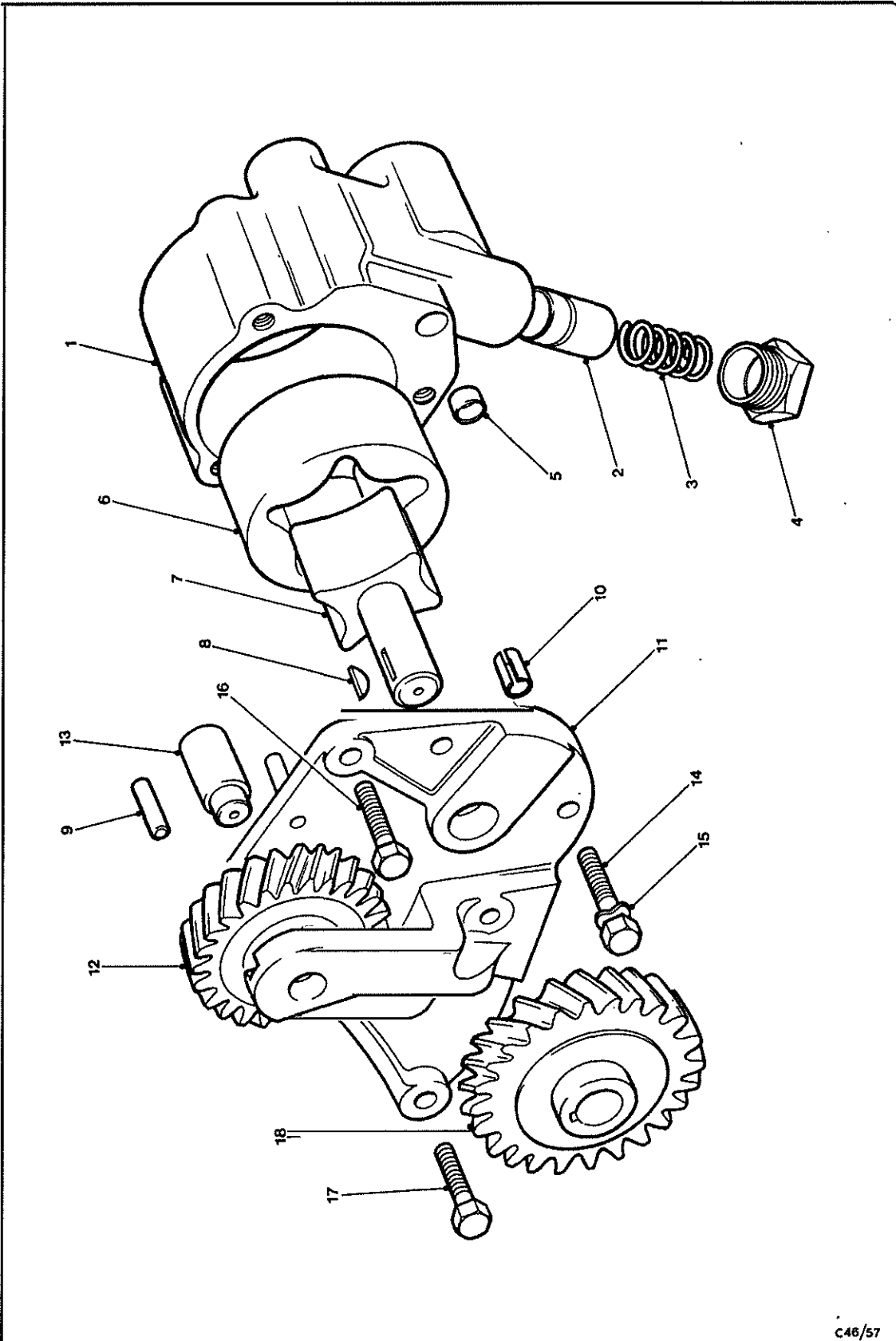
C46/36

Fig 3 Pist n and conn cting r d

24

FIG ITEM	MAN CODE NAVY - N ARMY - A RAF - R	NATO STOCK NUMBER	ITEM NAME AND DESCRIPTION	PART NO./ DRAWING NO.	NO. OFF	ANNOTATIONS
Fig 3	1-6	A 7BD 2815-99-832-6828	ENGINE - contd ..PISTONS AND CONNECTING RODS - ..PISTON, INTERNAL COMBUSTION ENGINE, std; c/w ring set & retaining rings	91075249	6)	Medium crown
		A 7BD 2815-99-838-4145	..PISTON, INTERNAL COMBUSTION ENGINE, 0.020 in. o/s; ring set & retaining rings	91075251	6)	
	1-6	A 7BD 2815-99-832-6829	..PISTON, INTERNAL COMBUSTION ENGINE, std; c/w ring set & retaining rings	91075252	6)	High crown
		A 7BD 2815-99-838-4146	..PISTON, INTERNAL COMBUSTION ENGINE, 0.020 in.; c/w ring set & retaining rings			
	2-4	A 7BD 2815-99-838-4147	..PISTONS - ...RING SET, PISTON, std	91075215	6	
		A 7BD 2815-99-838-4148	...RING SET, PISTON, 0.005 in. o/s	91075216	6	
		A 7BD 2815-99-838-4149	...RING SET, PISTON, 0.020 in. o/s	91075217	6	
	6	A 6MT1 5365-99-825-1828	...RING, RETAINING, steel, int, 1.75 mm thk, 45 mm bore size		12	
	7-9	A 7BD 2815-99-838-4742	..CONNECTING ROD, PISTON; w/o bearings	91065216	6	
	8	A 7BD 5306-99-139-0624	...BOLT, connecting rod, UNF, steel, 9/16 in. x 75 mm	9964460	12	
	9	A 7BD 5310-99-139-0625	...NUT, PLAIN, HEXAGON, UNF, steel, 9/16 in.	9964388	12	
10	A 7BD 3120-99-832-6832	..BUSH, CONNECTING ROD, bronze/ steel, 41.2 mm lg	91047173	6		
11	A 7BD 3120-99-838-4743	..BEARING HALF SET, SLEEVE; w/ twelve halves; std	91053468	1set		
	A 7BD 3120-99-838-4744	..BEARING HALF SET, SLEEVE; w/ twelve halves; 0.010 in. u/s	91053469	1set		
	A 7BD 3120-99-838-4745	..BEARING HALF SET, SLEEVE; w/ twelve halves; 0.020 in. u/s	91053470	1set		

25



Chap 2-1

Fig 4 Oil pump

C46/57

FIG ITEM	MAN CODE NAVY - N ARMY - A RAF - R	NATO STOCK NUMBER	ITEM NAME AND DESCRIPTION	PART NO./ DRAWING NO.	NO. OFF	ANNOTATIONS
Fig 4 1-18 NI	A A	7BD 7BD	4320-99-838-4577 2940-99-838-4578	ENGINE - contd •PUMP, ROTARY, POWER DRIVEN, vane type, oil •STRAINER: oil pump; w/pipe	91084945 91066569	1 1

27

1

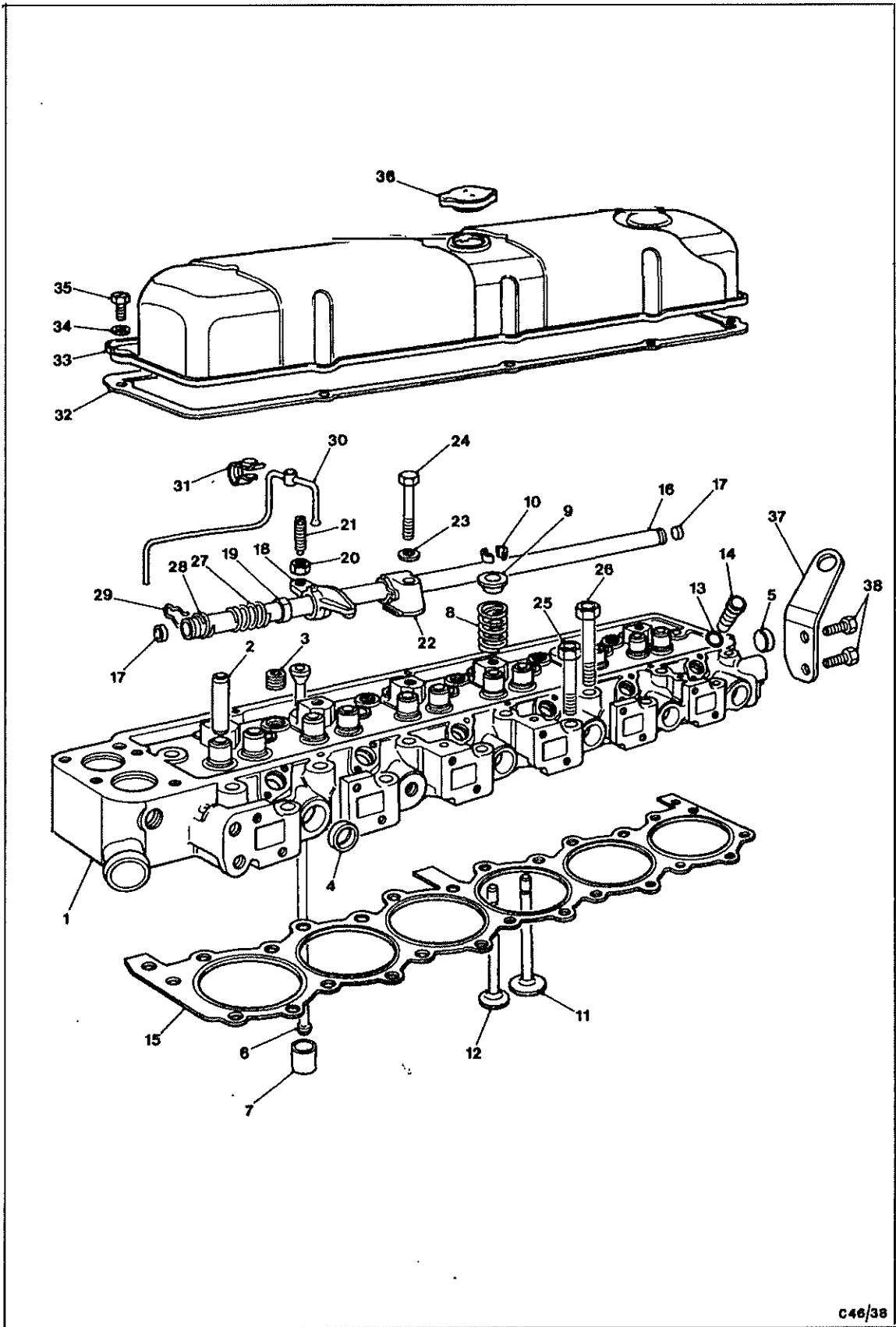
28

1. 14

FIG ITEM	MAN CODE NAVY - N ARMY - A RAF - R	NATO STOCK NUMBER	ITEM NAME AND DESCRIPTION	PART NO./ DRAWING NO.	NO. OFF	ANNOTATIONS
NI	A	7BD	2815-99-838-4579	ENGINE - contd .SUMP, ENGINE, 3ft lg, 15 in. w, 16 in. h	91035806	1
NI	A	7BD	5970-99-809-1073	..WASHER, fibre, 3/4 in. id, 1-1/16 in. od, 1/16 in. thk	6348488	1
NI	A	7BD	2815-99-832-7163	..PLUG, DRAIN, MAGNETIC	91020472	1
NI	A	7BD	5330-99-817-9264	.GASKET, cork/rubber/asb, 36.840 in. lg, 15.210 in. w, 0.060 in. thk	2687531	1
NI	A	7BD	5310-99-806-8593	.WASHER, FLAT, steel, cadmium plated, 17/64 in. id, 9/16 in. od, 1/16 in. thk	7074135	35
NI	A	7BD	5305-99-816-6239	.SCREW, MACHINE	7195682	35
NI	A	7BD	6680-99-836-1398	.DIPSTICK, LIQUID QUANTITY	91078548	1
NI	A	7BD	4710-99-721-4546	.TUBE, OIL, DIPSTICK	91078500	1

} Sump to
cylinder
block

79



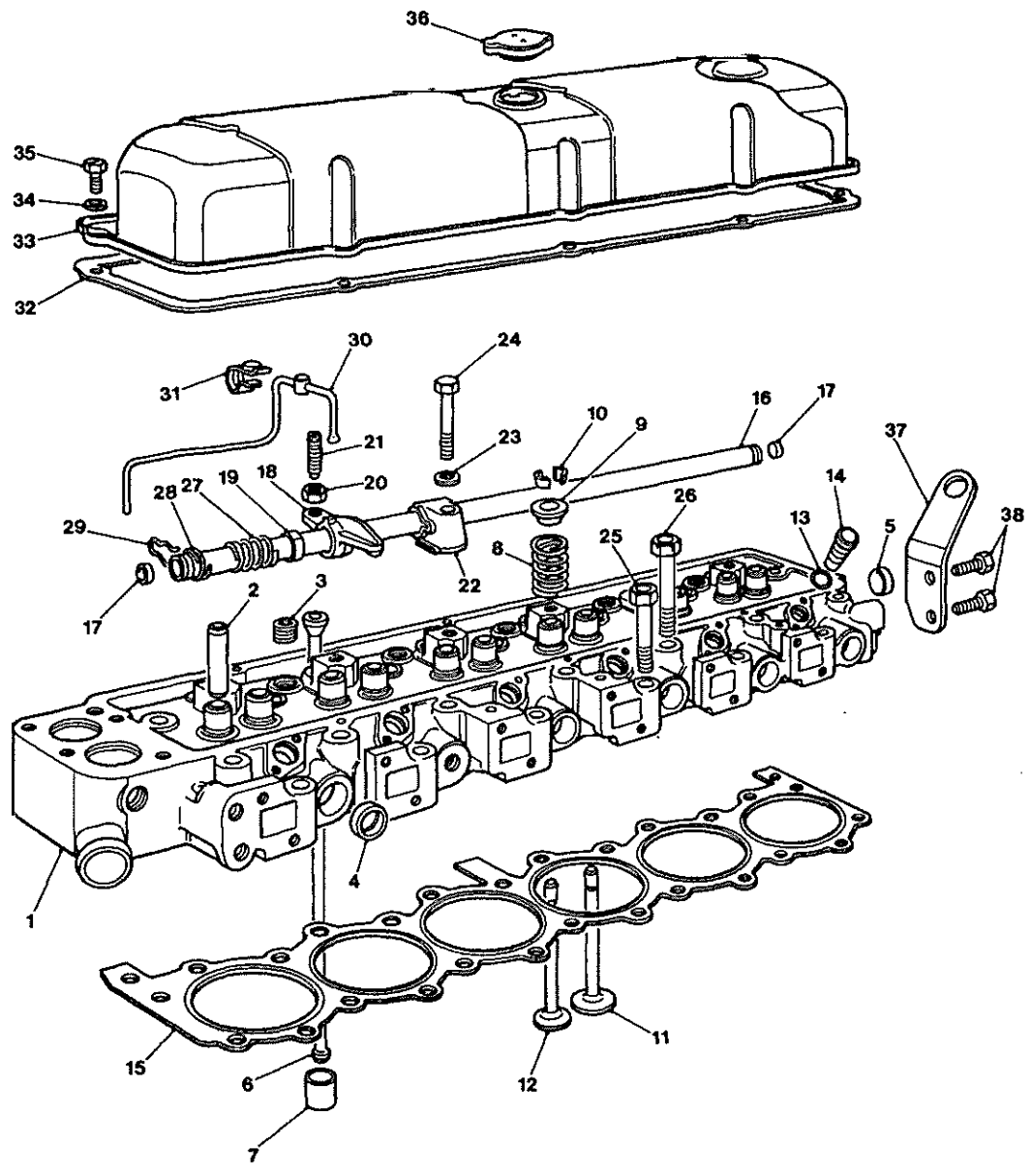
30

Fig 5 Cylind r h ad

47

FIG ITEM	MAN CODE NAVY - N ARMY - A RAF - R	NATO STOCK NUMBER	ITEM NAME AND DESCRIPTION	PART NO./ DRAWING NO.	NO. OFF	ANNOTATIONS
Fig 5						
1,2	A	7BD	2815-99-838-4749	ENGINE - contd ..CYLINDER HEAD - ..CYLINDER HEAD, DIESEL ENGINE, assy	91003413	1
2	A	7BD	2815-99-838-4750	...GUIDE, ENGINE POPPET VALVE, CI, 9.20 mm id, 17.00 mm od, 61 mm lg	91000066	12
NI	A	7BD	2815-99-838-4759	...SEAT, VALVE, inlet, CI, 50.80 mm od, 7.95 mm h (std)	91000063	6
NI	A	7BD	2815-99-838-4760	...SEAT, VALVE, inlet, CI, 50.77 mm od, 7.95 mm h (graded yellow)	91082003	6 Alternative
NI	A	7BD	2815-99-838-4761	...SEAT, VALVE, exhaust, CI, 44.70 mm od, 7.95 mm h (std)	91000064	6
NI	A	7BD	2815-99-838-4901	...SEAT, VALVE, exhaust, CI, 44.67 mm od, 7.95 mm h (graded yellow)	91082004	6 Alternative
NI	A	6MT1	5340-99-560-6693	...INSERT, SCREW THREAD		12
4	A	7BD	5340-99-819-1505	..PLUG, EXPANSION, steel, zinc coated, 1-1/4 in. od, 1/2 in. lg	6366744	5
5	A	7BD	2805-99-895-4198	..PLUG, CUP, 1-1/2 in.	7126018	1
6	A	7BD	2815-99-832-6844	..PUSH ROD, ENGINE POPPET VALVE, steel, 9 mm dia, 371.28 mm max lg	91000484	12
7	A	7BD	2815-99-838-4747	..TAPPET, ENGINE POPPET VALVE	91078801	12
8	A	7BD	5360-99-836-1394	..SPRING, HELICAL, COMPRESSION, steel, 36.85 mm od, 50.29 mm lg	91065318	12
NI	A	7BD	2815-99-838-4751	..ROTATOR, EXHAUST VALVE, 17.30 mm id, 40 mm od, 10.80 mm installed ht		6
9	A	7BD	2815-99-832-6836	..RETAINER, COMPRESSION HELICAL SPRING		12
10	A	7BD	2990-99-832-6835	..COLLET, SPLIT, steel, 12.7 mm od, 9.8 mm lg		24
11	A	7BD	2815-99-832-6833	..VALVE, POPPET, ENGINE, inlet	9963448	12
12	A	7BD	2815-99-832-6834	..VALVE, POPPET, ENGINE, exhaust, 43 mm	91053919	12
13	A	7BD	5330-99-817-6368	..RING, SEALING, TOROIDAL, rubber, 1.100 in. id, 0.086 in. o/a h	2687417	6
14	A	7BD	2815-99-832-6831	..SLEEVE, NOZZLE HOLDER, steel, 21.60 mm id, 28.53 mm od, 94mm o/a lg	6342396	6
15	A	7BD	5330-99-838-4754	..GASKET, copper/asb, 824 mm lg, 223 mm o/a w, 2.15 mm thk, 25 bolt holes	91065315	1
16,17	A	7BD	2815-99-828-5845	..SHAFT, STRAIGHT, rocker; c/w end plugs	91012959	1
17	A	7BD	2805-99-895-4358	...PLUG: oil duct	6327709	2
NI	A	7BD	2815-99-832-7044	..ROCKER ARM, ENGINE POPPET VALVE, outlet	91000643	6
NI	A	7BD	3120-99-873-9433	...BEARING, SLEEVE, steel/bronze, 7/8 in. id, 31/32 in. od, 13/32 in. lg	6388106	6
18,19	A	7BD	2815-99-832-6837	..ROCKER ARM, ENGINE POPPET VALVE, inlet	91039454	6
19	A	7BD	3120-99-873-9433	...BEARING, SLEEVE, steel/bronze, 7/8 in. id, 31/32 in. od, 13/32 in. lg	6388106	6
20	A	7BD	5310-99-895-2470	..NUT, PLAIN, HEXAGON, UNF, steel, 7/16 in.	346714	12
21	A	7BD	5305-99-833-0533	..SCREW, GRUB, UNF, steel, slot drive, oval dog point, 7/16 in. dia, 1.400 in. o/a lg	6308993	12

31

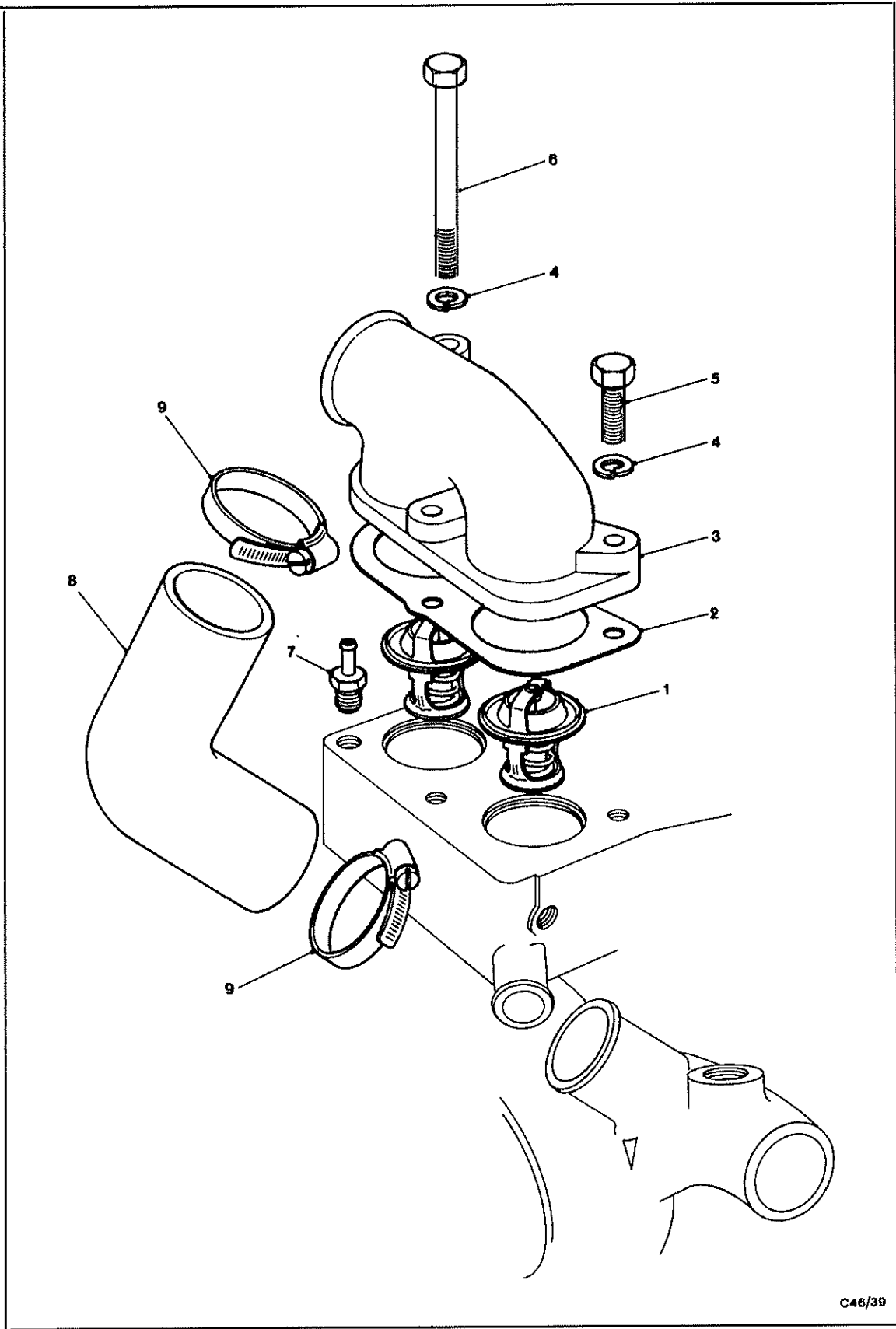


C46/38

Fig 5 Cylinder head

FIG ITEM	MAN CODE NAVY - N ARMY - A RAF - R	NATO STOCK NUMBER	ITEM NAME AND DESCRIPTION	PART NO./ DRAWING NO.	NO. OFF	ANNOTATIONS
Fig 5						
22		NP	ENGINE - contd			
24	A	7BD	5306-99-838-4753 ..CYLINDER HEAD - contd ..BRACKET: rocker shaft	9958740	6	
25	A	7BD	5306-99-838-4755 ..BOLT, MACHINE, metric, alloy steel, hex hd, zinc coated, M12 - 1.75mm x 76mm lg		6	
26	A	7BD	5306-99-838-4756 ..BOLT, EXTERNALLY RELIEVED BODY, UNC, steel, hex extended washer hd, phosphated, 9/16in. dia, 108.75mm lg	91001032	6	
27	A	7BD	5360-99-819-1519 ..BOLT, EXTERNALLY RELIEVED BODY, UNC, steel, hex extended washer hd, phosphated, 9/16in. dia, 138mm lg	91001033	20	
28	A	7BD	2805-99-833-0817 ..SPRING, HELICAL, COMPRESSION, steel, 1-1/16in. od, 2-13/16 in. lg	6393883	5	
29	A	7BD	5340-99-833-0810 ..SPRING, HELICAL, COMPRESSION, steel, 1-27/64in. od, 7/16in. lg	7075279	2	
30	A	7BD	2815-99-832-6838 ..CLIP, RETAINING, steel, 1-27/32in. o/a h, 41/64in. w, 7/16 in. thk	7075268	2	
31	A	7BD	5340-99-833-1209 ..PIPE: oil delivery, rocker shaft	9958603	1	
32	A	7BD	2805-99-817-6590 ..CLIP, RETAINING: oil pipe assy	6311343	1	
33	A	7BD	2815-99-832-6839 ..GASKET, cork, 5-5/8in. w, 33-5/8in. lg, 3/16in. thk	7173276	1	
34	A	7BD	2815-99-780-7314 ..COVER: rocker	91039827	1	
35	A	7BD	5310-99-806-8593 ..COVER, ROCKER, ENGINE, painted	91130853	1	Alternative
36	A	7BD	5305-99-838-4757 ..WASHER, FLAT, steel, cadmium plated, 17/64in. id, 9/16in. od	7074135	8	
37	A	7BD	2815-99-819-1522 ..SCREW, SELF-LOCKING, metric, steel, hex hd, slot drive, zinc coated, M6-1x 14mm lg	91000791	8	
38		NP	..CAP, steel, zinc coated, plain type, 2-5/16in. od, 7/16in. h	7966887	1	
NI	A	7BD	2990-99-838-4584 ..PLATE: engine lifting	91057705	1	
			..CAP, FILLER, OPENING, plastics, black, 66.55mm max od x 28.95 mm o/a lg	9975756	1	Oil filler cap

33

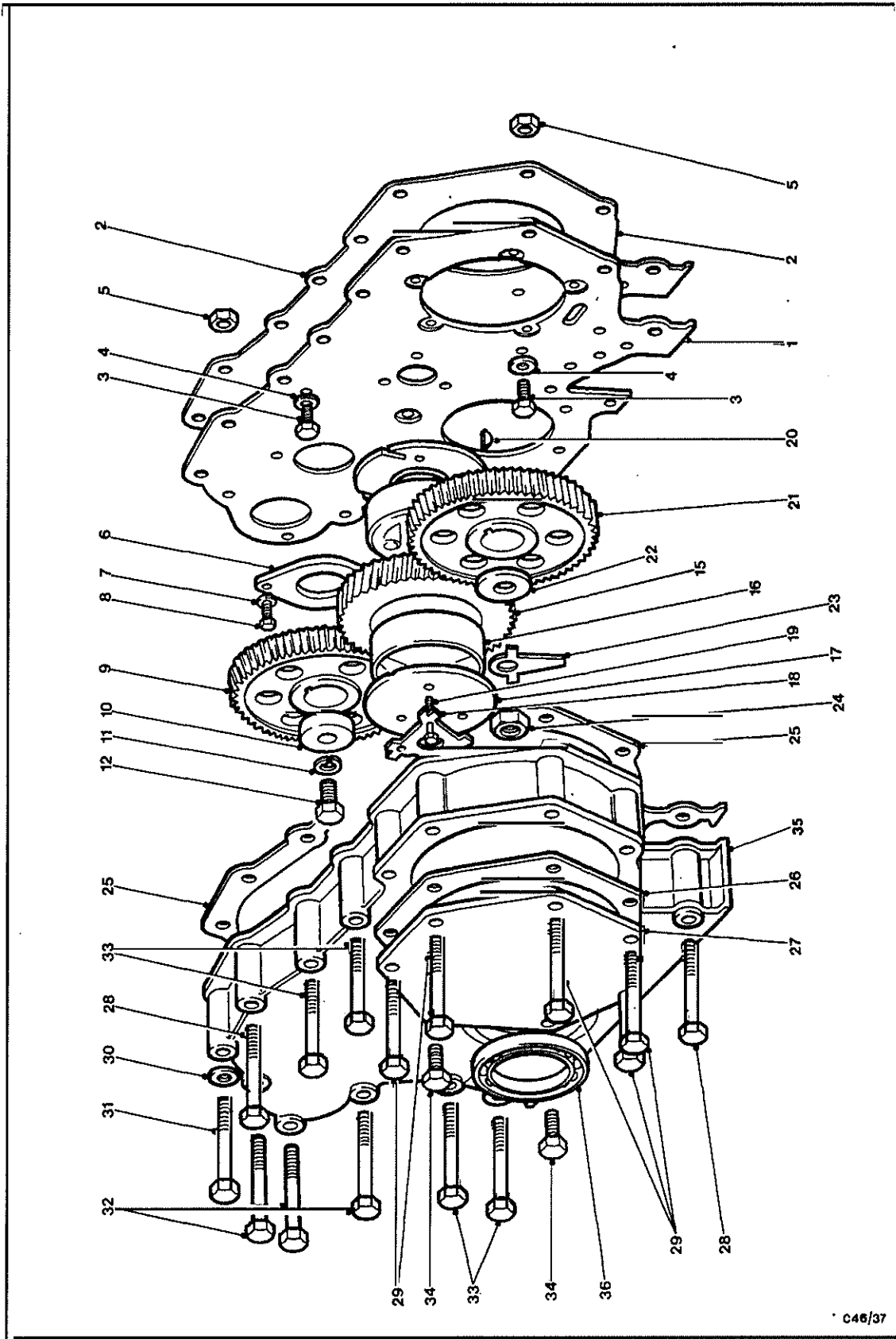


C46/39

Fig 6 Therm stat housing

FIG ITEM	MAN CODE NAVY - N ARMY - A RAF - R	NATO STOCK NUMBER	ITEM NAME AND DESCRIPTION	PART NO./ DRAWING NO.	NO. OFF	ANNOTATIONS
Fig 6			ENGINE - contd			
1	A 7BD	6620-99-838-4580	..THERMOSTAT HOUSING - ..THERMOSTAT, wax pellet type, open at 82 deg C, 2-1/8 in. od	3043125	2	
2	A 7BD	5330-99-829-5027	..GASKET, 1/64 in. thk; w/3 holes	2693730	1	
3	A 7BD	2930-99-838-4822	..MANIFOLD, coolant outlet, 2 inlet ports, 1 outlet port	91000515	1	
7	A 7BD	4730-99-838-4823	..ADAPTOR, STRAIGHT, PIPE TO HOSE, steel, zinc coated, 1/4 in. NPTF, 1/4 in. od plain end, 1.380 in. o/a lg	91029627	1	
8	A 7BD	4720-99-832-7155	..HOSE, PREFORMED, rubber; w/reinforcement, 41 mm id, elbow shape	91003332	1	

35



c46/37

Fig 7 Timing case

FIG ITEM	MAN CODE NAVY - N ARMY - A RAF - R	NATO STOCK NUMBER	ITEM NAME AND DESCRIPTION	PART NO./ DRAWING NO.	NO. OFF	ANNOTATIONS
Fig 7						
2	A	7BD	2815-99-819-1664	ENGINE - contd		
6	A	7BD	3120-99-874-1735	..TIMING CASE - ..GASKET: crankcase, front plate	7173420	1
9	A	7BD	3020-99-832-6845	..WASHER, THRUST, steel, 2-5/8 in. w, 4-13/16 in. lg, 1/4 in. thk, 1-3/4 in. dia hole, 2 mtg holes 23/64 in. dia	7150650	1
10	A	7BD	3020-99-832-6845	..GEAR, HELICAL, steel, 56 teeth	91049615	1
13	A	7BD	2520-99-819-1655	..WASHER	8852141	1
14	A	7BD	2815-99-819-1656	..WASHER, THRUST: idler gear, rear	7176560	1
15,16	A	7BD	3020-99-832-6846	..HUB: idler gear	7176554	1
16	A	7BD	3120-99-819-1528	..GEAR, HELICAL, idler ...BEARING, SLEEVE, steel/bronze, 3.273 in. id, 3.40 in. od, 1.040 in. lg	91049619	1
17	A	7BD	2815-99-829-5013	..WASHER, THRUST: idler gear, front	2681401	1
18	A	7BD	5310-99-139-0629	..WASHER, TAB, steel, zinc coated, 26 mm centre hole, 3 holes 9 mm dia, 0.8 mm thk	9965088	1
21	A	7BD	3020-99-832-6847	..GEAR, HELICAL, timing, 56 teeth	91020799	1
22	A	7BD	5310-99-895-0659	..WASHER, FLAT, steel, 25/32 in. id, 1-11/16 in. od	7080563	1
23	A	7BD	5310-99-895-2370	..WASHER, KEY	7080562	1
24	A	7BD	5310-99-136-5413	..NUT, CASTELLATED, HEXAGON, UNF, steel, 3/4 in.	7213226	1
25	A	7BD	5330-99-817-9258	..GASKET: timing case	7189917	1
26	A	7BD	5320-99-829-5015	..GASKET, asb/rubber, 1/64 in. thk, 7 mtg holes 23/64 in. dia	2693720	1
35,36		NP		..CASE, timing	91020979	1
36	A	6MT1	5330-99-829-4625	..SEAL, PLAIN, rubber/steel, 65.51 mm id, 89.05 mm od, 9.53 mm w		1
NI	A	7BD	2805-99-895-2434	..POINTER: timing	835830	1

37

50

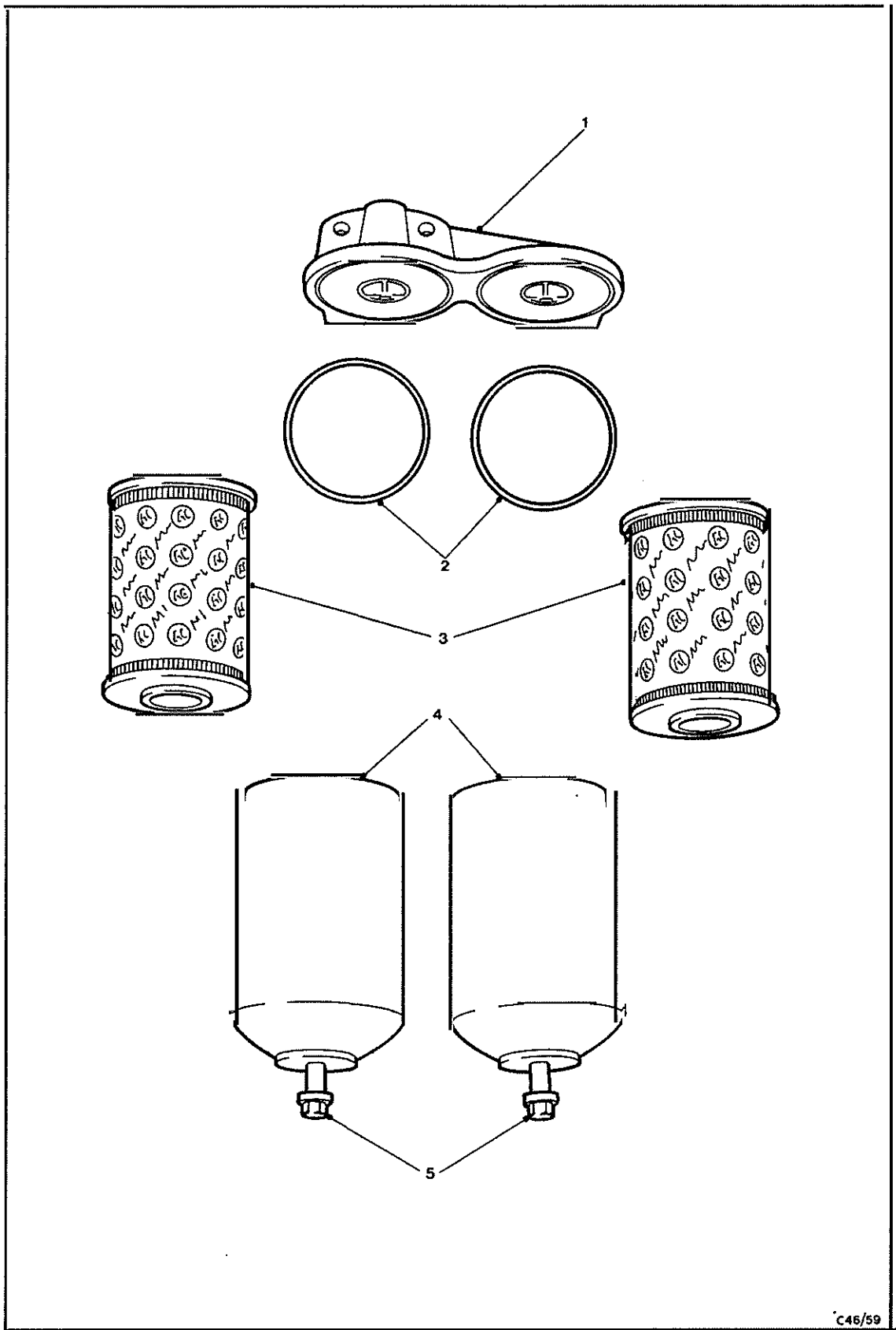
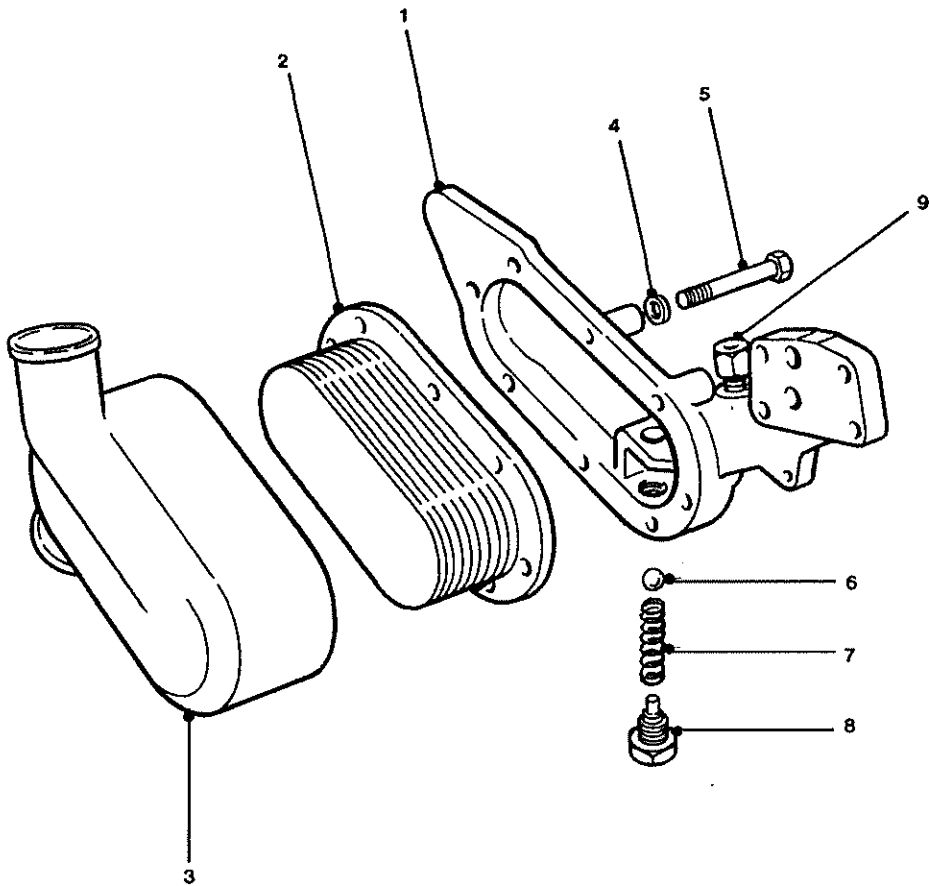


Fig 8 Oil filter

FIG ITEM	MAN CODE NAVY - N ARMY - A RAF - R	NATO STOCK NUMBER	ITEM NAME AND DESCRIPTION	PART NO./ DRAWING NO.	NO. OFF	ANNOTATIONS
Fig 8			ENGINE - contd			
1-5	A	7BD 2815-99-836-1930	..LUBRICATION SYSTEM -			
			..FILTER, FLUID PASSAGE; double type, replaceable elements	9975322	1	
2,3	A	7BD 2815-99-838-4820	...FILTER ELEMENT, FLUID PRESSURE; c/w sealing ring	7984779	2	
NI	A	7BD 5307-99-838-4599	..STUD, SHOULDERED; oil filter mtg	91081738	2	
NI		NP	..SPACER, FILTER MOUNTING	91081739	1	
NI	A	7BD 5330-99-832-7162	..GASKET, asbestos/steel, 102 mm lg x 67 mm w x 1 mm thk, 4 mtg holes	91049256	1	Oil filter to oil cooler
NI	A	7BD 2940-99-820-2287	..CONNECTOR, OIL FILTER, steel, 7/16 in. UNS female to 1/4 in. NPTF male, 1-5/32 in. o/a lg	8822769	1	
NI	A	7BD 4730-99-838-4844	..SLEEVE, COMPRESSION, PIPE-HOSE FITTING	91045186	1	
NI	A	7BD 4730-99-838-4846	..INVERTED NUT, UNION, PIPE	91042595	1	
NI	A	7BD 5330-99-830-9042	..RING, SEALING, TOROIDAL, rubber, 19 mm id x 3.6 mm h	91026742	1	
NI	A	7BD 5306-99-139-5243	..BOLT, U, rd bend, steel, 1-9/16 in. lg x 1-1/8 in. w, 1/4 in. UNF thds	8831686	1	
NI	A	G1 5310-99-923-0535	..NUT, SELF-LOCKING, HEXAGON, UNF, steel, 1/4 in.		2	
NI	A	7BD 5930-99-836-3332	..SWITCH, OIL WARNING	91079132	1	
NI	A	7BD 4730-99-874-0706	..INVERTED NUT, UNION, PIPE, UNS, 7/16 in.	442140	1)Oil pipe)filter to)compressor
NI	A	7BD 4730-99-788-7090	..DOUBLE ENDED UNION, PIPE, MALE, UNS, steel, 7/16 in.	91113159	1	
NI	A	7BD 4730-99-833-2453	..SLEEVE, COMPRESSION, PIPE-HOSE FITTING, 1/4 in. id	114628	1	
NI	A	7BD 4730-99-811-6671	..NUT, UNION, PIPE, UNF, steel, 7/16 in.	190863	1	

39

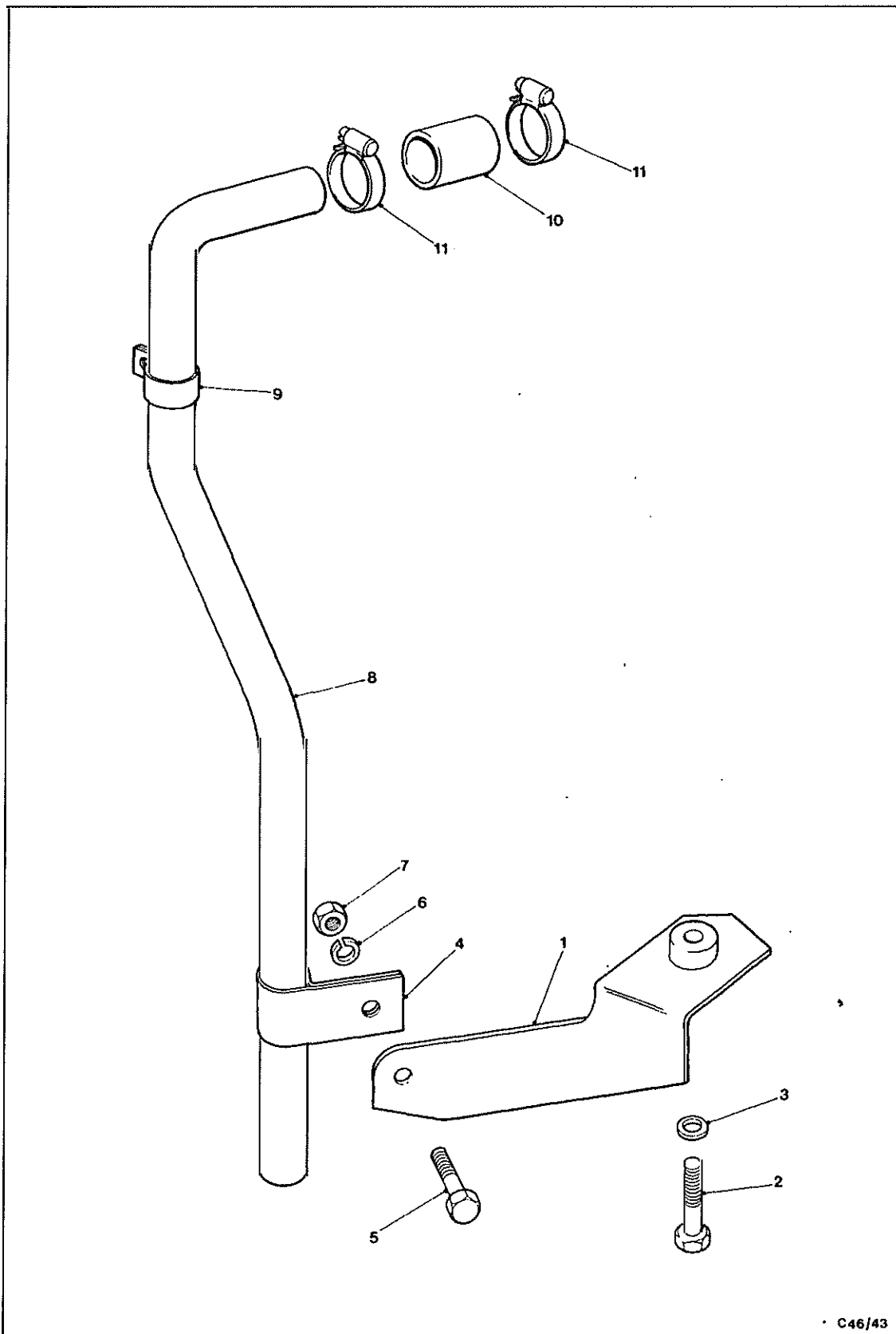


C46/58

Fig 9 Oil cooler

40

FIG ITEM	MAN CODE NAVY - N ARMY - A RAF - R	NATO STOCK NUMBER	ITEM NAME AND DESCRIPTION	PART NO./ DRAWING NO.	NO. OFF	ANNOTATIONS
Fig 9						
1	A	7BD	2930-99-838-4591	ENGINE - contd ..LUBRICATION SYSTEM - contd ..OIL COOLER ASSEMBLY - ...ADAPTOR, OIL COOLER, casting, 430 mm lg x 197 mm w x 36 mm h		
NI	A	7BD	5330-99-838-4598	...GASKET, asbestos, 263 mm lg x 189 mm w x 0.6 mm thk, 10 mtg holes	91049742	1
2	A	8RETX	2930-99-827-0241	...CORE ASSEMBLY, OIL COOLER	91049710	1
NI	A	ORD	5330-99-624-6296	...GASKET, 10-7/16 in. lg x 4-7/8 in. w x 1/64 in. thk, 8 mtg holes	8514600	1
3			NP	...HOUSING, OIL COOLER	6246296	1
4			NP	...WASHER, FLAT	91049744	1
5			NP	...BOLT, MACHINE		AR
6			NP	...BEARING, BALL		1
7	A	7BD	5360-99-838-4593	...SPRING, HELICAL, COMPRESSION, steel, 8 active coils, 54 mm free lg	91018479	1
NI	A	7BD	5330-99-838-4594	...GASKET, copper, 25 mm id x 29 mm od x 1.7 mm thk	91018484	1
8	A	7BD	5365-99-838-4592	...PLUG, SCREWED, steel, hex hd, M24 - 2 mm pitch, 40 mm o/a lg	91018471	1
9	A	7BD	2940-99-820-2287	...CONNECTOR, OIL FILTER, steel, 7/16 in. UNS female to 1/4 in. NPTF male	8822769	1
NI	A	8REIH	4730-99-805-0627	...PLUG, PIPE, steel, 1/4 in. NPTF sq hd	444576	1
NI	A	7BD	5307-99-838-4595	..STUD, SHOULDERED AND STEPPED, steel, 5/16 in. UNC one end, 3/8 in. UNF other end, 57 mm o/a lg	91083669	1
NI			NP	..SPACER: oil cooler to cylinder block	91081739	1
NI	A	7BD	5310-99-838-4596	..WASHER, FLAT, asbestos, 11 mm id x 24 mm od x 2 mm thk	91030401	1
NI	A	7BD	5330-99-832-7162	..GASKET, asbestos/steel, 102 mm lg x 67 mm w x 1 mm thk, 4 mtg holes	91049256	2



142

Fig 10 Engine ventilation pipe

FIG ITEM	MAN CODE NAVY - N ARMY - A RAF - R	NATO STOCK NUMBER	ITEM NAME AND DESCRIPTION	PART NO./ DRAWING NO.	NO. OFF	ANNOTATIONS
Fig 10						
1		NP	ENGINE - contd ..ENGINE VENTILATION PIPE -			
4	A	7BD	..SUPPORT, assy	91043789	1	
8	A	5340-99-832-6842	..CLAMP, loop, steel, 25 mm id	91024535	1	
		2815-99-832-6841	..PIPE, STEEL, seamless, 25 mm od	91029230	1	
9	A	7BD	..CLAMP, LOOP, steel, zinc coated, 20 mm lg, 25 mm dia grip, 16 mm lg	91029197	1	
10	A	7BD	..TUBING, RUBBER, 25 mm id, 35 mm od, 60 mm lg	9962936	1	

43

44

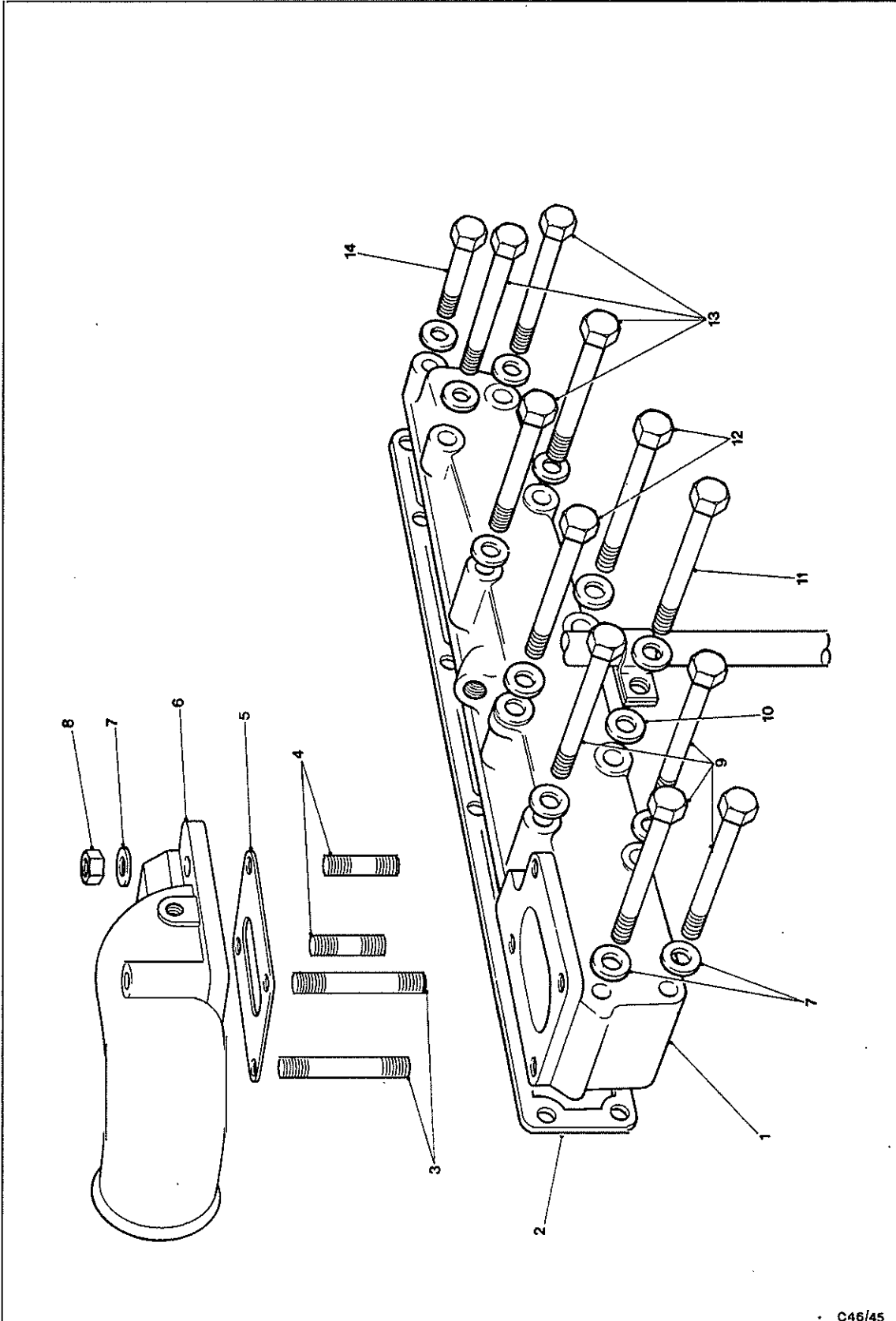


Fig 11 Induction manifold

FIG ITEM	MAN CODE NAVY - N ARMY - A RAF - R	NATO STOCK NUMBER	ITEM NAME AND DESCRIPTION	PART NO./ DRAWING NO.	NO. OFF	ANNOTATIONS
Fig 11			ENGINE - contd			
1	A	7BD	2815-99-832-7174	91056293	1	
2	A	7BD	5330-99-832-7177	91056334	1	
3	A	7BD	5307-99-832-7225	91040464	2	
4	A	7BD	5307-99-832-7226	91040465	2	
5	A	7BD	5330-99-746-1177	91029748	1	
6	A	7BD	2815-99-836-1929	91056302	1	

45

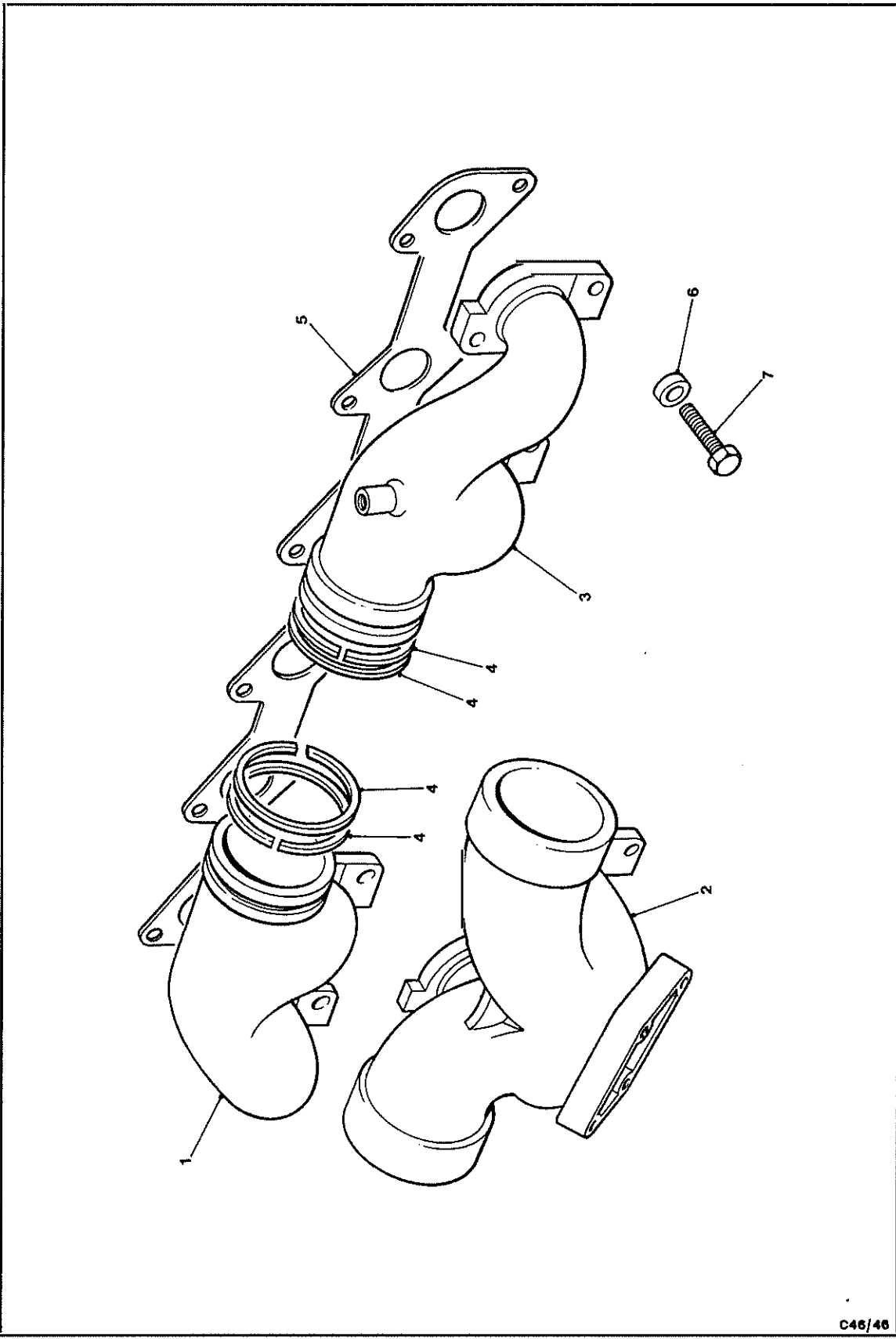
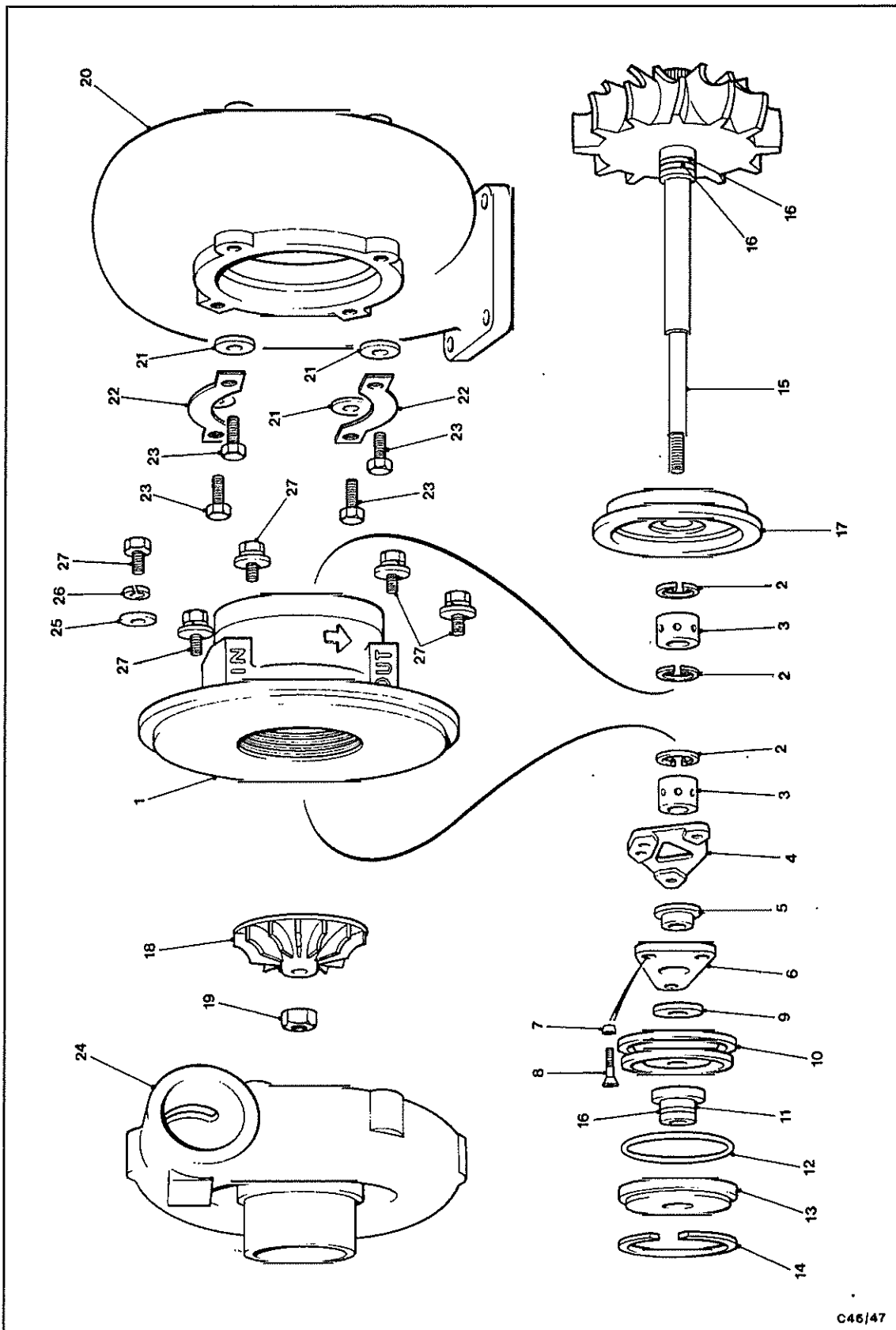


Fig 12 Exhaust manifold

37

FIG ITEM	MAN CODE NAVY - N ARMY - A RAF - R	NATO STOCK NUMBER	ITEM NAME AND DESCRIPTION	PART NO./ DRAWING NO.	NO. OFF	ANNOTATIONS
Fig 12						
1	A	7BD	2815-99-836-1923	ENGINE - contd ..EXHAUST MANIFOLD - ..MANIFOLD, EXHAUST, ENGINE: front sect.	91063173	1
2	A	7BD	2815-99-836-1924	..MANIFOLD, EXHAUST, ENGINE: centre sect.	91063174	1
3	A	7BD	2815-99-836-1925	..MANIFOLD, EXHAUST, ENGINE: rear sect.	91063176	1
4	A	7BD	2815-99-836-1926	..RING, EXHAUST MANIFOLD, CI, 62 mm od, 2.8 mm thk	91064996	4
5	A	7BD	5330-99-746-1178	..GASKET, cres, partially laminated, 744.71 mm o/a lg, 0.87 mm thk; w/12 bolt holes	91077975	1
6	A	7BD	5365-99-746-1179	..SPACER, SLEEVE, steel, 0.344 in. id, 0.750 in. od, 0.375 in. lg	1010784	12

47



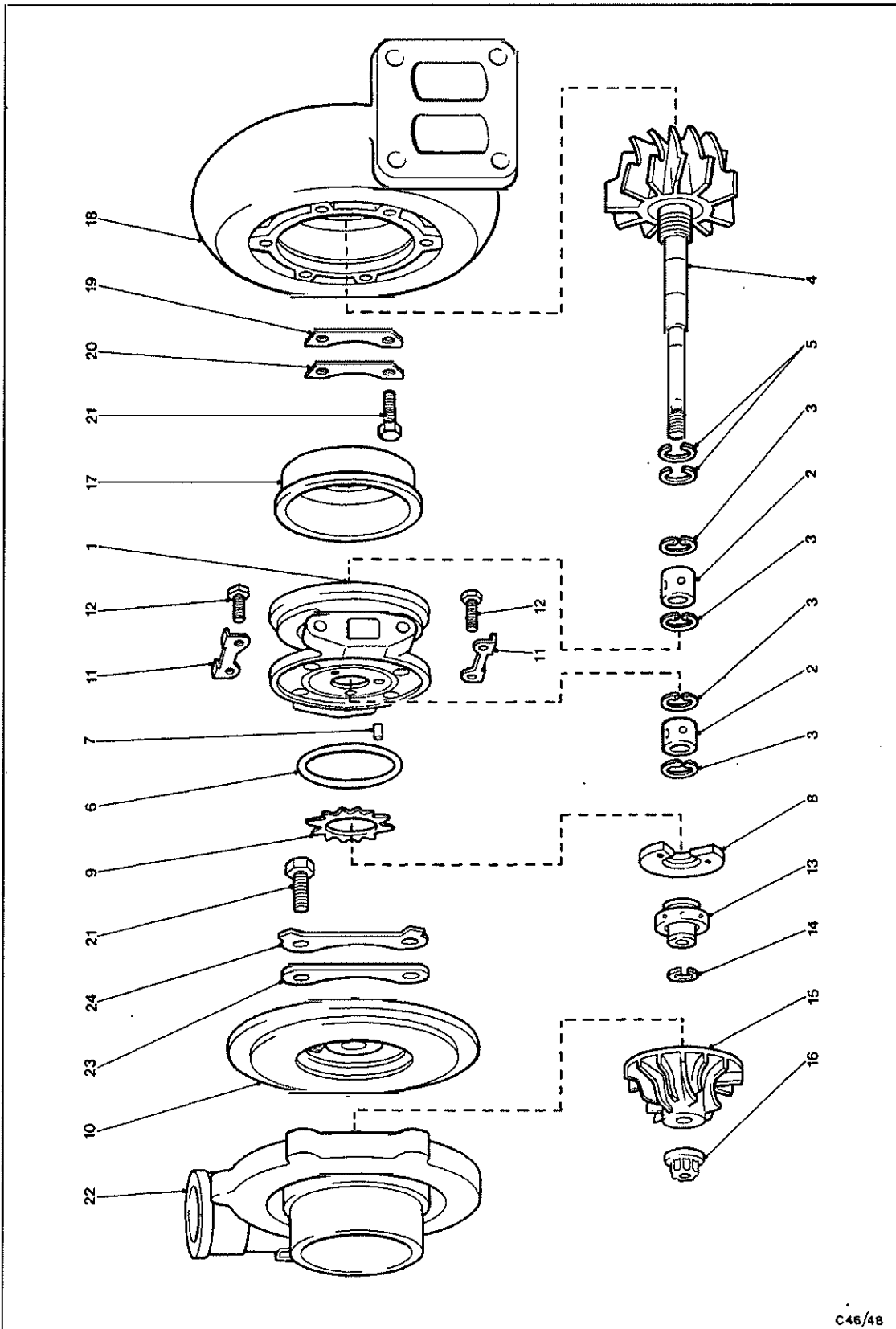
C46/47

Fig 13 Turbocharg r

48

FIG ITEM	MAN CODE NAVY - N ARMY - A RAF - R	NATO STOCK NUMBER	ITEM NAME AND DESCRIPTION	PART NO./ DRAWING NO.	NO. OFF	ANNOTATIONS
Fig 13			ENGINE - contd			
1-27	A	6MT12	2815-99-836-1928	3501775	1	
1	A	6MT12	3130-99-838-5413	3500462	1	
2	A	X3	2990-99-202-8499	9753	3	
3	A	6MT12	2815-99-838-5412	61697	2	
4		NPSPACER, BEARING	62474	1	
5	A	6MT12	2815-99-838-5414	3500334	1	
6	A	6MT12	3130-99-838-5418	3502442	1	
8	A	6MT12	5305-99-751-1766	3502337	3	
9	A	6MT12	3120-99-838-5419	62316	1	
10	A	6MT12	2815-99-838-5421	65421	1	
12	A	6MT12	5330-99-838-5423	62915	1	
14	A	6MT12	5365-99-838-5420	62414	1	
15	A	6MT12	2815-99-838-5410	61986	1	
17		NPBACKPLATE, TURBINE	60728	1	
18		NPWHEEL, COMPRESSOR: multi-vane type	3500529	1	
19	A	6MT12	5310-99-744-7317	60250	1	
21	A	6MT12	5310-99-751-7319	59527	AR	
22	A	X3	2990-99-202-8474	9774	3	
23	A	6MT12	5305-99-751-7328	59917	AR	
24		NPHOUSING, COMPRESSOR	3503025	1	
25		NPPLATE, CLAMP	3502017	3	
27	A	6MT12	5305-99-751-7328	59917	AR	
NI	A	6MT12	2815-99-838-5411	58848	1	
NI	A	6MT12	2815-99-838-5422	56754	1	
NI	A	6MT12	2815-99-838-5424	62564	1	
NI	A	6MT12	5365-99-838-5425	62449	1	
NI	A	6MT12	5310-99-132-9993	9779	AR	

69



C46/48

Chap 2-1

Fig 14 Turbocharger

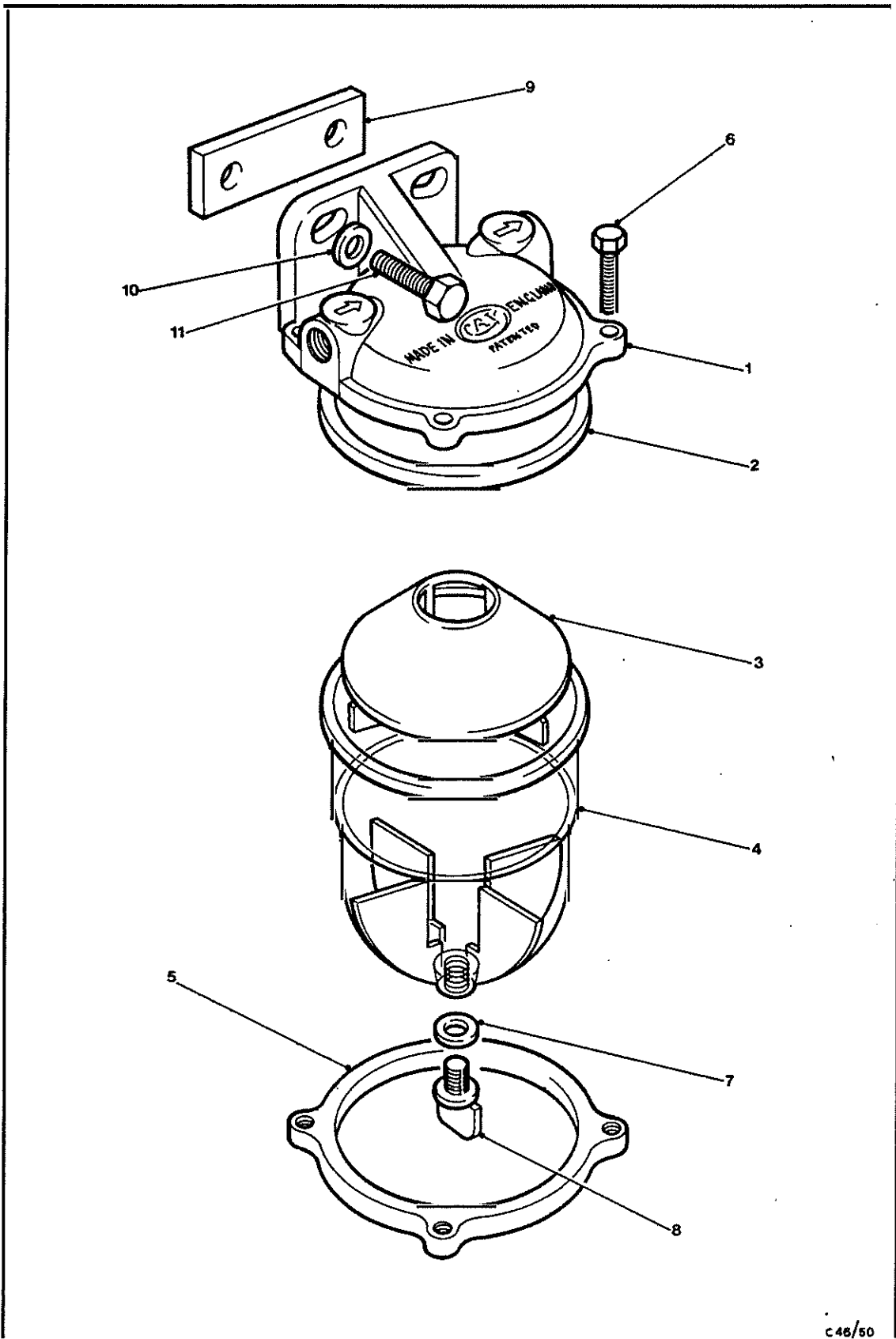
FIG ITEM	MAN CODE NAVY - N ARMY - A RAF - R	NATO STOCK NUMBER	ITEM NAME AND DESCRIPTION	PART NO./ DRAWING NO.	NO. OFF	ANNOTATIONS
Fig 14			ENGINE - contd .FUEL SYSTEM - contd ..TURBOCHARGER ASSEMBLY, AIRESEARCH -			
1-24	A	7BD	2815-99-836-1927	...SUPERCHARGER	91065098	1
8	A	7BD	2815-99-838-4109SPRING, THRUST	406765-5002	1
13	A	7BD	2815-99-838-4110COLLAR, THRUST	406906-5000	1
NI	A	7BD	2815-99-838-4112OIL INLET	409036-5000	1
NI	A	7BD	2815-99-838-4113OIL OUTLET	409037-5000	1
NI	A	7BD	2815-99-838-4114TURBINE OUTLET	409039-5000	1
NI	A	7BD	2815-99-838-4111	...PARTS KIT, SUPERCHARGER: comprises 15 items	468100-5000	1kit

51

FIG ITEM	MAN CODE NAVY - N ARMY - A RAF - R	NATO STOCK NUMBER	ITEM NAME AND DESCRIPTION	PART NO./ DRAWING NO.	NO. OFF	ANNOTATIONS	
NI	A	7BD	5330-99-832-7214	ENGINE - contd .FUEL SYSTEM - contd ..PIPPES AND FITTINGS, TURBOCHARGER - ...GASKET, asbestos/rubber, 55 mm lg x 30 mm w x 1 mm thk, 1 centre hole, 2 mtg holes	91035429	1) Oil) flange
NI	A	7BD	5330-99-838-4842	...GASKET, asbestos/rubber, 60 mm lg x 32 mm w x 1 mm thk, 1 centre hole, 2 mtg holes	91035753	2	
NI	A	7BD	5330-99-838-4841	...GASKET, asbestos/rubber, 77 mm lg x 29 mm w x 1 mm thk, 18 mm dia hole	91004406	1) Oil) drain
NI	A	7BD	5330-99-838-4843	...GASKET, asbestos/rubber, 70 mm lg x 25 mm w x 1 mm thk, 18 mm dia hole	91035752	1	
NI	A	7BD	4730-99-832-7221	...ADAPTOR, ELBOW, PIPE, 90 deg, M16-1.5 mm to M12-1.5 mm thds	91035636	1) Oil feed
NI	A	7BD	2815-99-832-7159	...ADAPTOR, ELBOW, 1 in. UNS male thd to 25.3 mm dia bore	91035364	1	
NI	A	7BD	5365-99-838-4845	...PLUG, SCREWED, steel, hex hd, w/flange, M12-1.5 mm pitch thd	91034148	1	
NI	A	7BD	2815-99-832-7220	...PIPE ASSEMBLY, OIL DRAIN, UPPER, steel, flange one end swaged other end, 83 mm o/a lg	91042593	1	Airesearch
NI	A	7BD	2815-99-832-7160	...PIPE ASSEMBLY, OIL DRAIN, UPPER, steel, flange one end swaged other end 91 mm lg	91034302	1	Holset
NI	A	7BD	2815-99-832-7161	...PIPE ASSEMBLY, OIL DRAIN, LOWER, flange one end swaged other end	91049917	1	
NI	A	7BD	2815-99-832-7158	...PIPE ASSEMBLY, steel, single bend, 350 mm o/a lg; single bend	91035366	1	Oil delivery
NI	A	7BD	4720-99-832-7219	...HOSE, RUBBER, reinforced, 19 mm id x 30 mm od x 115 mm lg	91004405	1	Oil drain
NI	A	7BD	5310-99-819-2038	...WASHER, FLAT, copper, 9/16 in. id x 13/16 in. od x 1/16 in. thk	2690835	1	
NI	A	7BD	2910-99-832-7222	...PIPE ASSEMBLY; c/w two way banjo	2712564	1	Oil feed
NI	A	7BD	5330-99-838-4848	...SLEEVE, COMPRESSION, PIPE-HOSE FITTING, brass, 8 mm id x 10 mm od	91065473	2	Turbo housing to exhaust system
NI			NP	...STUD, PLAIN, ISO metric, M8 x 1.25 mm pitch		4	
NI	A	7BD	2990-99-742-7885	...ADAPTOR, OIL FEED, straight, M16-1.5 mm female to M12-1.5 mm female, 2 mtg holes 9.5 mm dia	91034178	1	Oil feed

53

514



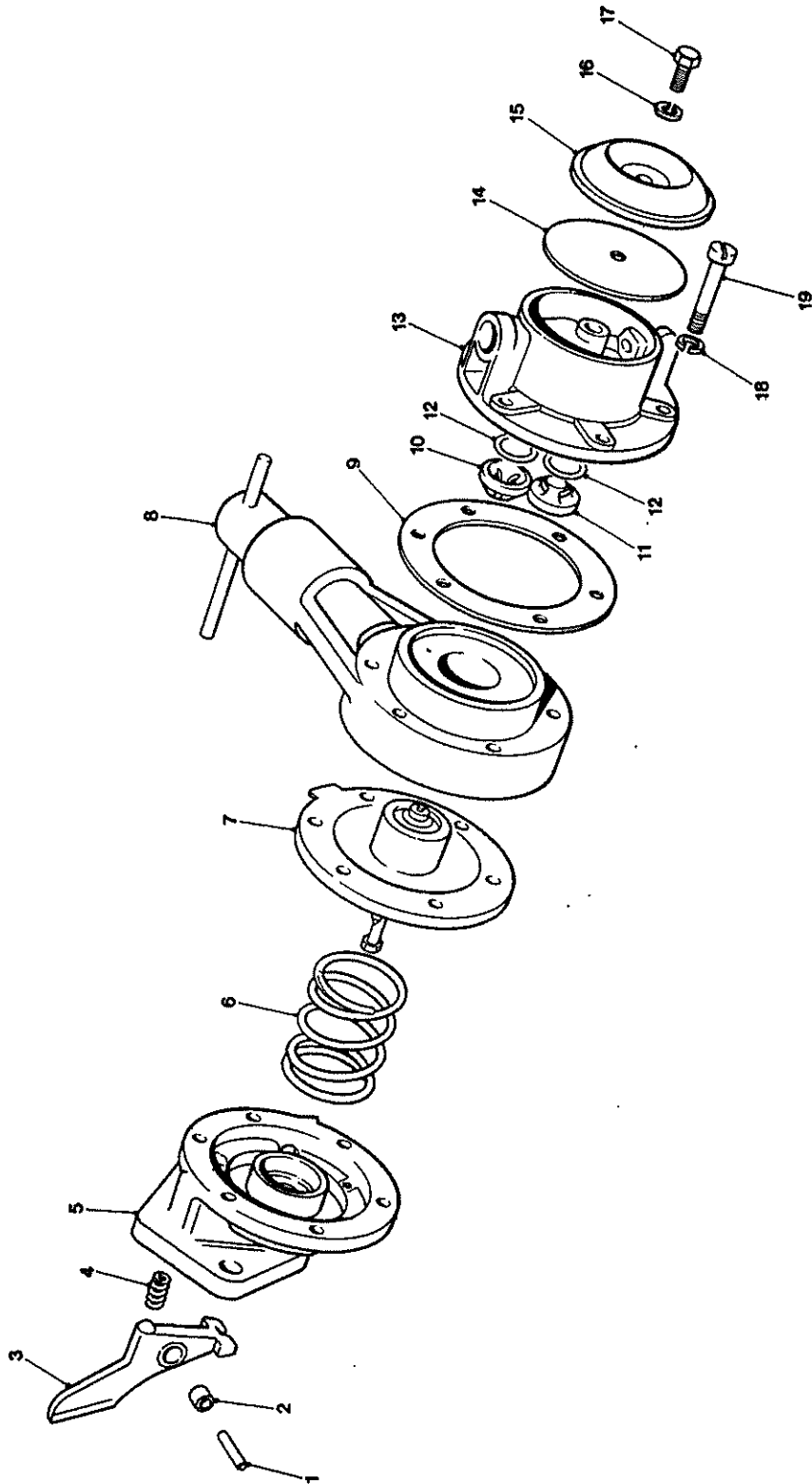
C48/50

Chap 2-1

Fig 15 Primary fuel filter

FIG ITEM	MAN CODE NAVY - N ARMY - A RAF - R	NATO STOCK NUMBER	ITEM NAME AND DESCRIPTION	PART NO./ DRAWING NO.	NO. OFF	ANNOTATIONS	
Fig 15							
1-11	A	6MT7	2910-99-825-6288	ENGINE - contd .FUEL SYSTEM - contd ..STRAINER ASSEMBLY	5864000	1	Primary fuel filter
2	A	6MT12	5330-99-829-2705	...GASKET	7111-843	1	
3	A	6MT12	2910-99-742-6365	...STRAINER ELEMENT, SEDIMENT	7111-891	1	
4			NP	...BOWL	7111-889	1	
9			NP	..DISTANCE PIECE	9967277	1	
NI	A	7BD	4730-99-746-1180	..ADAPTOR, STRAIGHT, PIPE	91054943	1	

55



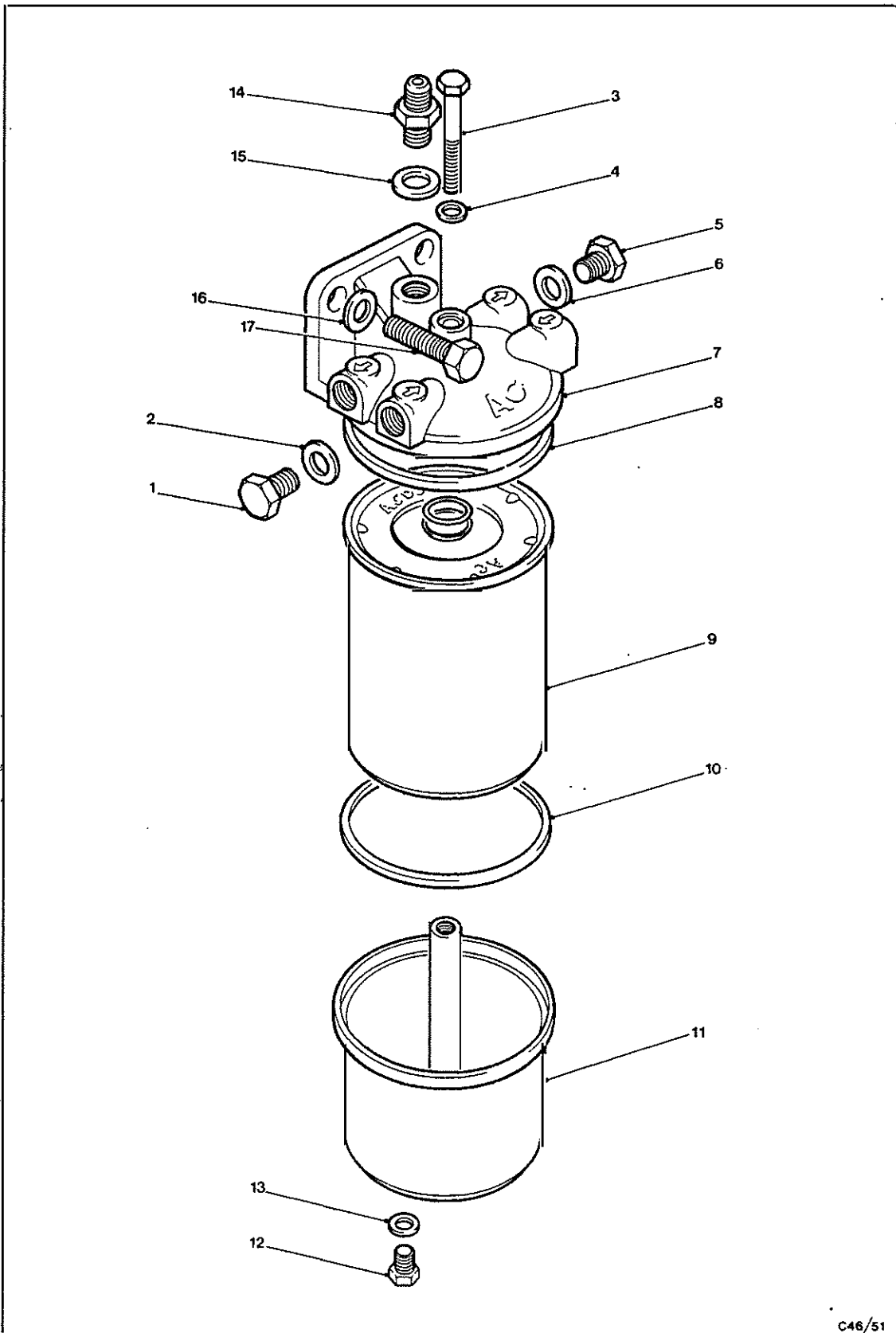
C46/49

Chap 2 - 1

Fig 16 Fuel lift pump

FIG ITEM	MAN CODE NAVY - N ARMY - A RAF - R	NATO STOCK NUMBER	ITEM NAME AND DESCRIPTION	PART NO./ DRAWING NO.	NO. OFF	ANNOTATIONS
Fig 16 1-19 A	7BD	2910-99-832-7170	ENGINE - contd .FUEL SYSTEM - contd ..PUMP, FUEL, CAM ACTUATED: lift pump	93151019	1	

57

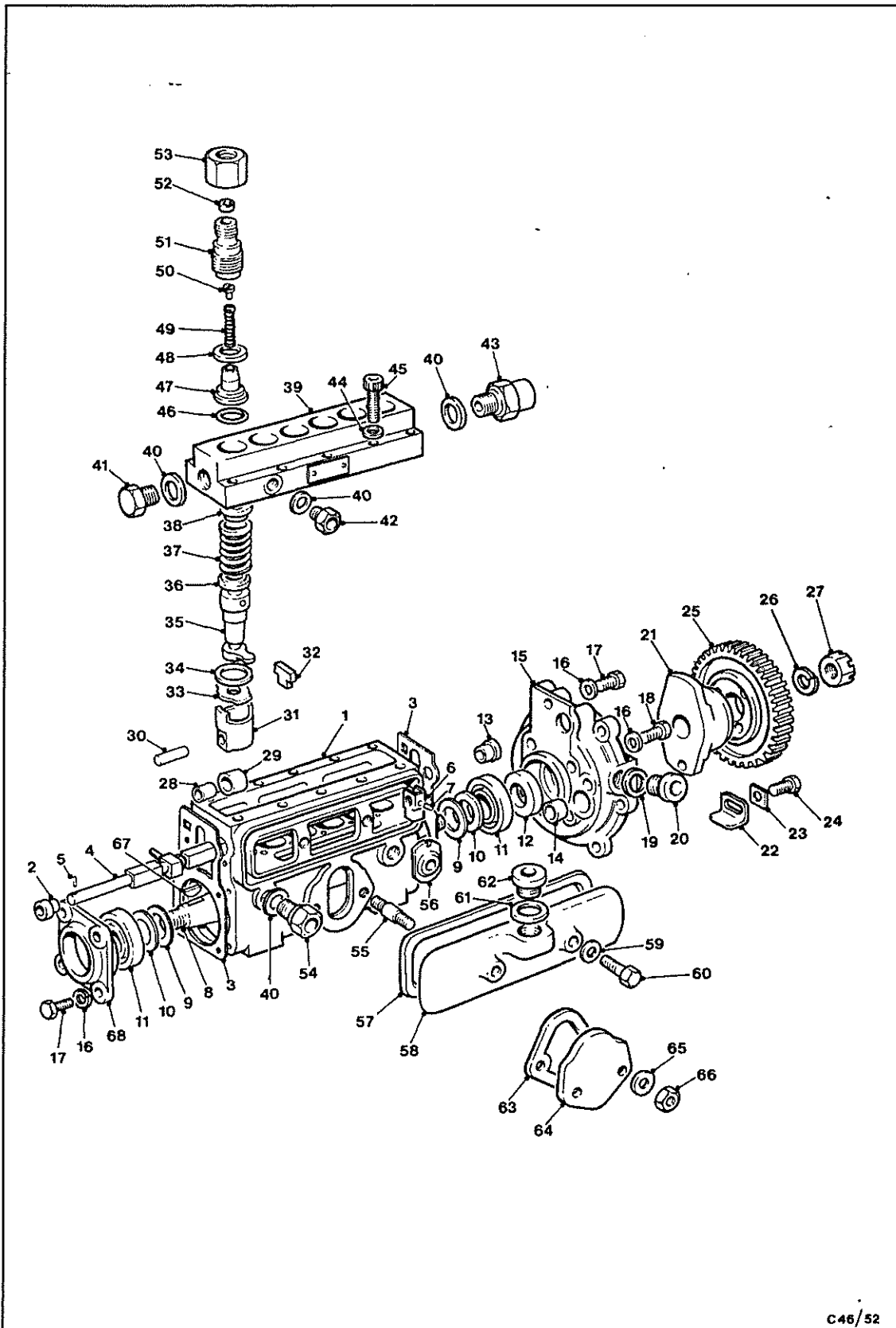


58

Fig17 Main fuel filter

FIG ITEM	MAN CODE NAVY - N ARMY - A RAF - R	NATO STOCK NUMBER	ITEM NAME AND DESCRIPTION	PART NO./ DRAWING NO.	NO. OFF	ANNOTATIONS
Fig 17			ENGINE - contd			
1-13	A	6MT12	2910-99-829-5030			
	A	7BD	5365-99-812-9288	7984588	1	Main filter
1	A	7BD	5365-99-812-9288			
2	A	G1	5310-99-432-7113	344691	1	
2	A	G1	5310-99-432-7113			
3	A	7BD	5306-99-136-5426		1	
3	A	7BD	5306-99-136-5426			
4	A	7BD	5310-99-139-5544	7973041	1	
4	A	7BD	5310-99-139-5544			
5	A	7BD	5365-99-812-9288	7973042	1	
5	A	7BD	5365-99-812-9288			
6	A	G1	5310-99-432-7113	344691	1	
6	A	G1	5310-99-432-7113			
7		NP			1	
8	A	6MT12	5330-99-819-2566	7984725	1	
8	A	6MT12	5330-99-819-2566			
9	A	6MT12	2910-99-829-5420	7973025	1	
9	A	6MT12	2910-99-829-5420			
10	A	6MT1	5330-99-817-8980	7984781	1	
10	A	6MT1	5330-99-817-8980			
11		NP		7965188	1	
11		NP				
13	A	7BD	5310-99-751-2285	7984787	1	
13	A	7BD	5310-99-751-2285			
14	A	7BD	5310-99-135-4687	91064592	1	
14	A	7BD	5310-99-135-4687			
15	A	7BD	4730-99-825-3414	7106985	1	
15	A	7BD	4730-99-825-3414			
16	A	7BD	2910-99-830-9004	2695253	1	
16	A	7BD	2910-99-830-9004			
				8856095	AR	

59



C46/52

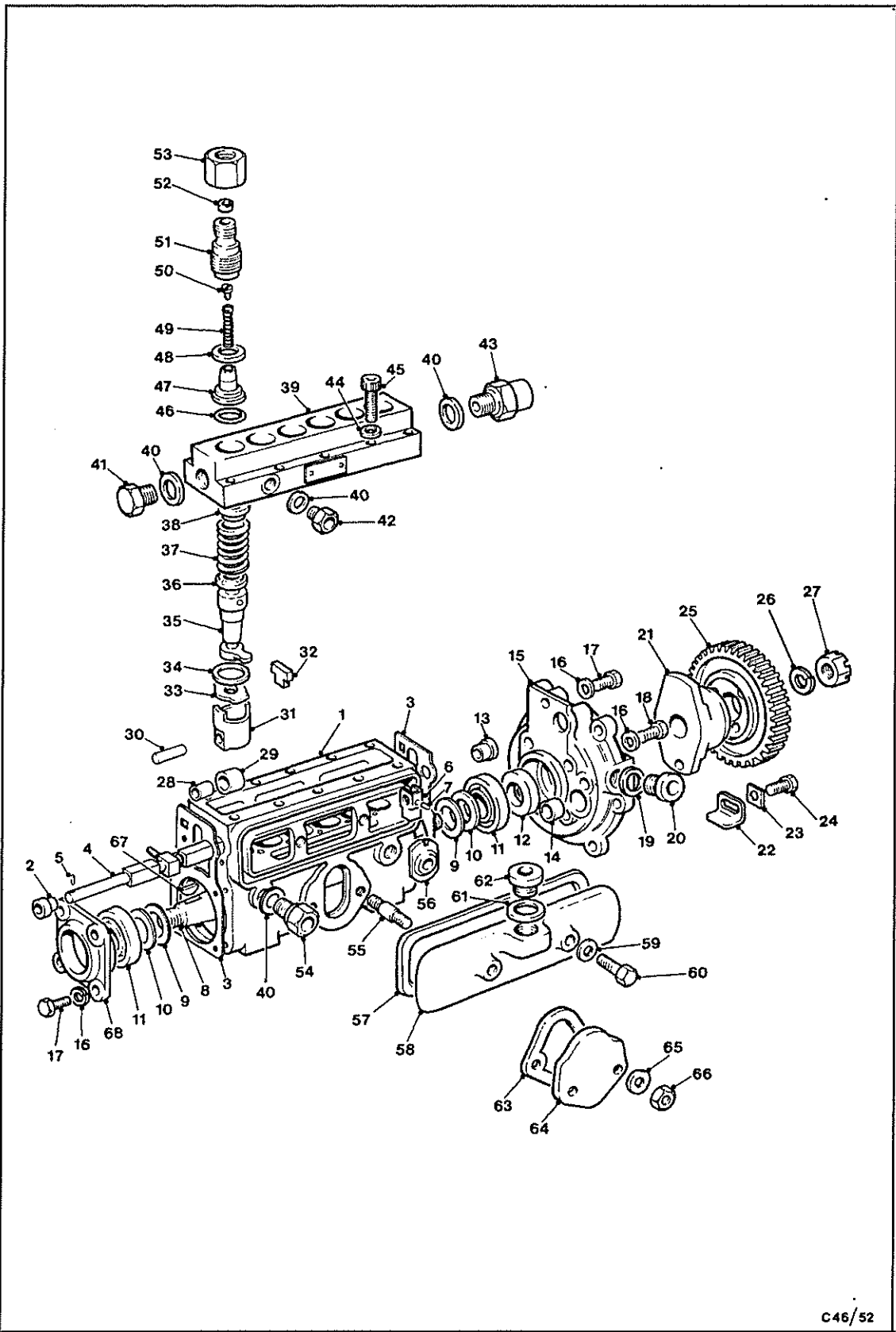
Chap 2-1

Fig18 Fuel injection pump

60

FIG ITEM	MAN CODE NAVY - N ARMY - A RAF - R	NATO STOCK NUMBER	ITEM NAME AND DESCRIPTION	PART NO./ DRAWING NO.	NO. OFF	ANNOTATIONS
Fig 18			ENGINE - contd			
NI	A	6MT12	2910-99-789-4893	..FUEL SYSTEM - ..PUMP, FUEL, METERING AND DISTRIBUTING	P5678	1
1-2		NPCAMBOX	514179	1
.2	A	6MT12	3120-99-881-6102BUSHING, SLEEVE	25865	1
3	A	6MT12	5330-99-838-5492	...GASKET, rubber/asbestos, approx 117 mm lg x 66 mm w; 5 bolt holes	507450	2
4	A	6MT12	2910-99-838-5494	...ROD, CONTROL, FUEL PUMP	508331	1
5	A	G1	5315-99-970-0660	...PIN, SPRING, steel, 1/8 in. dia x 1/4 in. lg		1
NI	A	6MT12	2910-99-831-7265	...PLUG, RUBBER, tapered, 4.4 mm max x 8 mm lg	507025	1
6	A	6MT12	2910-99-788-3661	...FORK, CONTROL ROD, steel, 55 mm lg x 24 mm w x 30 mm h	515449	6
7	A	G1	5305-99-941-2951	...SCREW, GRUB, UNF, steel, socket drive, half dog point, 1/4 in. x 1/4 in. lg		6
8	A	6MT12	2910-99-838-5495	...CAMSHAFT, FUEL PUMP	508988	1
9	A	6MT12	5365-99-838-6211	...SHIM, steel, solid, 23 mm id x 28 mm od x 0.2 mm thk	506620	2
10	A	6MT12	5365-99-838-6210	...SHIM, steel, solid, 23 mm id x 28 mm od x 0.1 mm thk	506619	2
11	A	6MT12	3110-99-838-6212	...BEARING, TAPERED ROLLER, single row, 22 mm id x 47 mm od x 12 mm w	506617	2
12	A	6MT12	5330-99-838-6213	...SEAL, PLAIN, ENCASED, rubber, 22 mm id x 35 mm od x 6.5 mm w	513596	2
13	A	X3	2910-99-205-6343	...BUSH, CONTROL ROD	25959	1
14		NPPLUG, EXPANSION	505608	1
15		NPFLANGE	508956	1
16	A	6MT12	5310-99-977-8606	...WASHER, FLAT, steel, 8 mm id x 15 mm od x 1.6 mm thk	507729) AR
17		NPSCREW, MACHINE, hex hd	508989	
18		NPSCREW, MACHINE, socket hd	508334	
22	A	6MT12	2910-99-838-5481	...PLATE, TIMING, FUEL PUMP	508958	1
23	A	6MT4	5310-99-333-2253	...WASHER, LOCK	100703P	1
24	A	G1	5305-99-977-8609	...SCREW, MACHINE, ISO metric, steel, hex hd, 5 mm - 0.8 mm pitch x 9 mm lg		1
26	A	6MT12	2910-99-838-5482	...WASHER, LOCK: camshaft	100717	1
27	A	6MT12	2910-99-838-6214	...NUT, HEXAGON, ISO metric, steel, 14 mm - 1.5 mm pitch	506935	1
28-31	A	6MT12	2910-99-838-5462	...TAPPET ASSEMBLY, FUEL PUMP	506649	6
28	A	6MT12	2910-99-838-5463BUSHING, SLEEVE, steel, 8 mm id x 11 mm od x 12 mm lg	506652	1
29	A	6MT12	2910-99-838-5464	...ROLLER, ROCKER, ARM-CAM FOLLOWER, steel, 11 mm id x 17 mm od x 12 mm lg	506651	1
30		NPPIN	506653	1
31		NPBODY	506650	1
32	A	6MT12	2910-99-881-6168	...TEE, TAPPET LOCATING, steel, 39/64 in. lg x 15/32 in. w x 5/32 in. thk	25876	3
33	A	6MT12	2910-99-838-5465	...SPACER RING, TAPPET, 3.85 mm thk; No. 1C	512603-11)
	A	6MT12	2910-99-838-5466	...SPACER RING, TAPPET, 3.95 mm thk; No. 2C	512603-12	
	A	6MT12	2910-99-838-5467	...SPACER RING, TAPPET, 4.05 mm thk; No. 3C	512603-13	

62



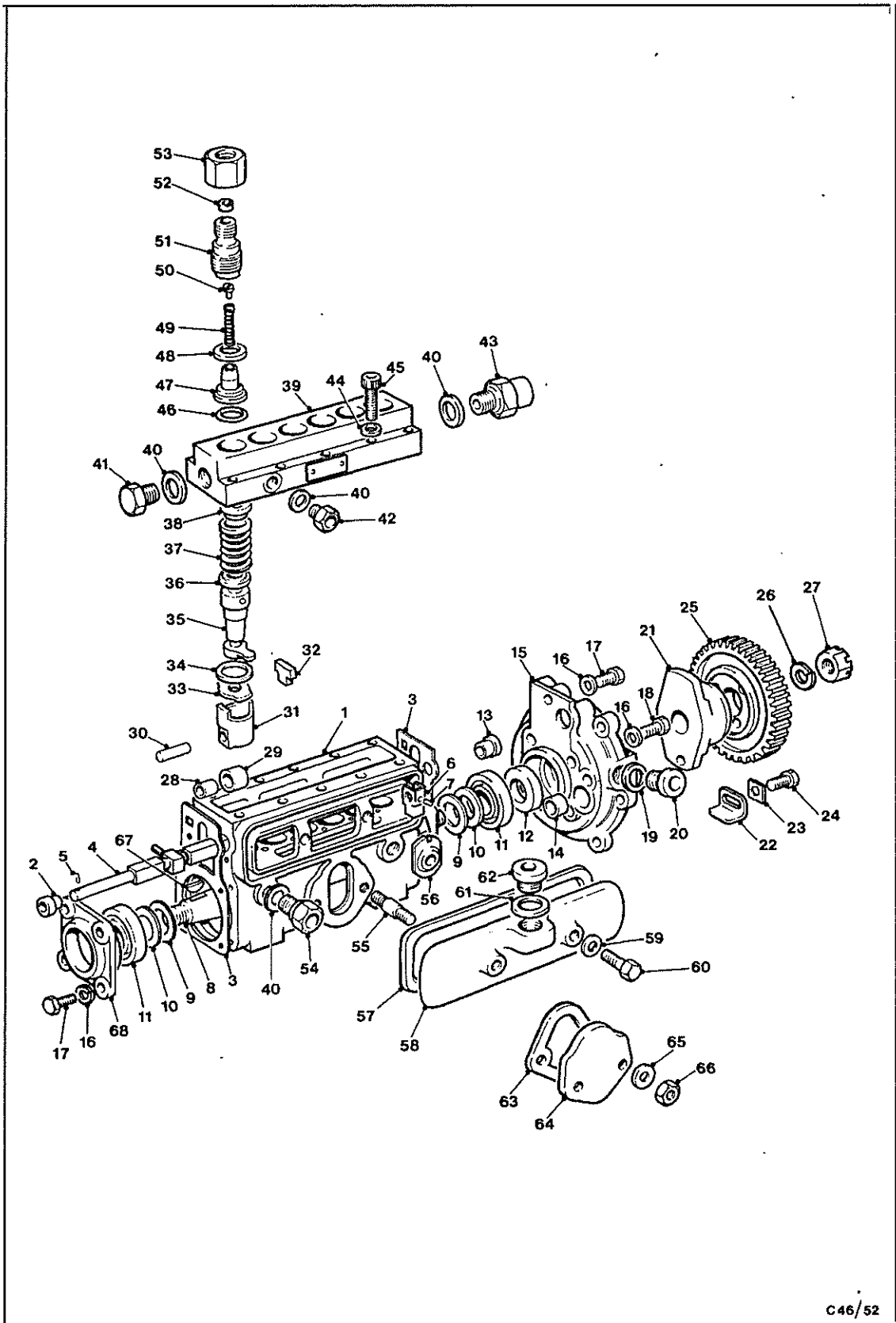
C46/52

Fig 18 Fu I injection pump

FIG ITEM	MAN CODE NAVY - N ARMY - A RAF - R	NATO STOCK NUMBER	ITEM NAME AND DESCRIPTION	PART NO./ DRAWING NO.	NO. OFF	ANNOTATIONS
Fig 18			ENGINE - contd ..FUEL SYSTEM - contd ...PUMP, FUEL METERING AND DISTRIBUTING - contd			
(A	6MT12	2910-99-838-5468	...SPACER RING, TAPPET, 4.10 mm thk; No. 4C	512603-14)	
(A	6MT12	2910-99-838-5469	...SPACER RING, TAPPET, 4.25 mm thk; No. 5C	512603-15)	
(A	6MT12	2910-99-838-5470	...SPACER RING, TAPPET, 4.35 mm thk; No. 6C	512603-16)	
(A	6MT12	2910-99-838-5471	...SPACER RING, TAPPET, 4.45 mm thk; No. 7C	512603-17)	
(A	6MT12	2910-99-838-5472	...SPACER RING, TAPPET, 4.55 mm thk; No. 8C	512603-18)	
(A	6MT12	2910-99-838-5473	...SPACER RING, TAPPET, 4.65 mm thk; No. 9C	512603-19)	
33 (A	6MT12	2910-99-838-5474	...SPACER RING, TAPPET, 4.75 mm thk; No. 10C	512603-20)	AR
(A	6MT12	2910-99-838-5475	...SPACER RING, TAPPET, 4.85 mm thk; No. 11C	512603-21)	
(A	6MT12	2910-99-838-5476	...SPACER RING, TAPPET, 4.95 mm thk; No. 12C	512603-22)	
(A	6MT12	2910-99-789-4894	...SPACER RING, TAPPET, 5.05 mm thk	512603-23)	
(A	6MT12	2910-99-789-4895	...SPACER RING, TAPPET, 5.15 mm thk	512603-24)	
34 A	X3	6610-99-433-7720	...RING RETAINING, BOWED	5001-75	6	
35 A	6MT12	2910-99-788-3659	...BARREL, PLUNGER ASSEMBLY	515941-70	6	
(A	X3	2910-99-209-1236	...RETAINER, HELICAL COMPRESSION SPRING, 0.4 mm thk material, No. 02S	506309)	
(A	X3	2910-99-209-1237	...RETAINER, HELICAL COMPRESSION SPRING, 0.5 mm thk material, No. 01S	506310)	
(A	X3	2910-99-209-1238	...RETAINER, HELICAL COMPRESSION SPRING, 0.6 mm thk material, No. 1S	506311)	
(A	X3	2910-99-209-1041	...RETAINER, HELICAL COMPRESSION SPRING, 0.7 mm thk material, No. 2S	506312)	
(A	X3	2910-99-209-1255	...RETAINER, HELICAL COMPRESSION SPRING, 0.8 mm thk material, No. 3S	506313)	
(A	X3	2910-99-209-1256	...RETAINER, HELICAL COMPRESSION SPRING, 0.9 mm thk material, No. 4S	506314)	
36 (A	X3	2910-99-209-1257	...RETAINER, HELICAL COMPRESSION SPRING, 1.0 mm thk matl; No.5S	506315)	AR
(A	X3	2910-99-209-1258	...RETAINER, HELICAL COMPRESSION SPRING, 1.1 mm thk matl; No.6S	506316)	
(A	X3	2910-99-209-1259	...RETAINER, HELICAL COMPRESSION SPRING, 1.2 mm thk matl; No.7S	506317)	
(A	X3	2910-99-209-1260	...RETAINER, HELICAL COMPRESSION SPRING, 1.3 mm thk matl; No.8S	506318)	
(A	X3	2910-99-209-1261	...RETAINER, HELICAL COMPRESSION SPRING, 1.4 mm thk matl; No.9S	506319)	
(A	X3	2910-99-209-1262	...RETAINER, HELICAL COMPRESSION SPRING, 1.5 mm thk matl;No.10S	506320)	
(A	X3	2910-99-209-1939	...RETAINER, HELICAL COMPRESSION SPRING, 1.6 mm thk matl; No. 11S	506321)	
(A	X3	2910-99-209-1940	...RETAINER, HELICAL COMPRESSION SPRING, 1.7 mm thk matl;No.12S	506322)	
(A	X3	2910-99-209-1941	...RETAINER, HELICAL COMPRESSION SPRING, 1.8 mm thk matl;No.13S	506323)	
(A	X3	2910-99-209-1942	...RETAINER, HELICAL COMPRESSION SPRING, 1.9 mm thk matl;No.14S	506324)	

63

64

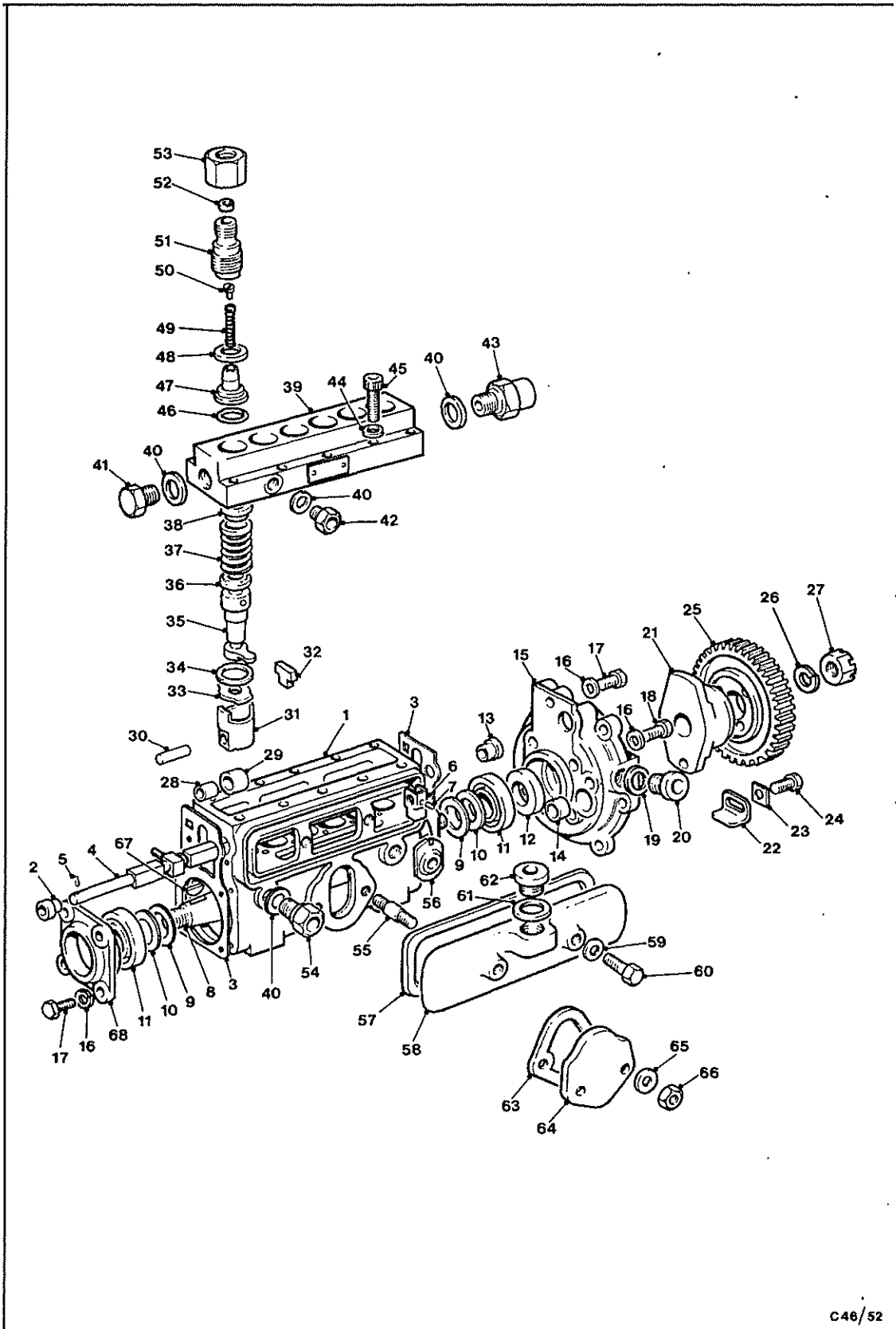


C46/52

Fig 18 Fuel injection pump

FIG ITEM	MAN CODE NAVY - N ARMY - A RAF - R	NATO STOCK NUMBER	ITEM NAME AND DESCRIPTION	PART NO./ DRAWING NO.	NO. OFF	ANNOTATIONS
Fig 18 36	A X3	2910-99-209-1943	ENGINE - contd ..FUEL SYSTEM - contd ..PUMP, FUEL METERING AND DISTRIBUTING - contd ...RETAINER, HELICAL COMPRESSION SPRING, 2.0 mm thk matl;No.15S	506325) AR	
	A X3	2910-99-209-1944	...RETAINER, HELICAL COMPRESSION SPRING, 2.1 mm thk matl;No.16S	506326		
37	A X3	2910-99-209-1565	...PLUNGER RETURN SPRING	506338	6	
38	A X3	2910-99-209-1563	...SPRING PLATE, UPPER	506331	6	
39		NP	...BODY, PUMP	508883	1	
40		NP	...WASHER	NW5-17W4) AR	
41		NP	...PLUG, SCREWED	514211		
42		NP	...ADAPTOR	508460-3		
43	A 6MT12	4730-99-838-5487	...REDUCER, PIPE, steel, ISO metric thds, 12 mm male to 8 mm female	508461-3	1	
44	A 6MT12	5310-99-808-4389	...WASHER, FLAT, steel, 13/64 in. id x 21/64 in. od x 3/64 in. thk	500973) AR	
45	A G1	5305-99-127-5705	...SCREW, CAP, SOCKET HEAD, UNC, steel, flat knurled hd, No.10 x 1-1/4 in. lg			
46	A 6MT1	5330-99-838-5478	...RING, SEALING, TOROIDAL, rubber, 0.614 in. id x 0.070 in. h		6	
47	A X2	2910-99-214-1846	...DELIVERY VALVE	507467-1	6	
48	A X3	5310-99-209-1038	...WASHER, FLAT	506674	6	
49	A 6MT1	5360-99-838-5479	...SPRING, HELICAL, COMPRESSION, steel, 11 total coils, 6.2 mm id x 25 mm free lg		6	
50	A 6MT12	2910-99-838-6209	...PIN, VOLUME REDUCER, steel, rd slotted hd, 5 mm od x 14 mm o/a lg	513869	6	
51		NP	...HOLDER, DELIVERY VALVE	508476-3	6	
52	A X3	4730-99-112-7701	...SLEEVE, COMPRESSION, PIPE-HOSE FITTING, for 5.6 mm od pipe	24055	6	
53	A 6MT12	4730-99-800-9812	...NUT, UNION PIPE, ISO metric, steel, 12 mm - 1.5 mm pitch	24545	6	
54	A 6MT12	4730-99-838-5485	...REDUCER, PIPE, steel, ISO metric thds, 10 mm male to 8 mm female	508464-3	1	
NI	A 6MT12	4730-99-838-5486	...REDUCER, PIPE, steel, ISO metric thds, 12 mm male to 12 mm female	508460-3	2	
55	A X3	5307-99-209-1035	...STUD, PLAIN, UNF/UNC, steel, 5/16 in.	82234	2	
56		NP	...PLATE, BRIDGE	506725	1	
57	A 6MT12	5330-99-838-5489	...GASKET, rubber, 160 mm o/a lg x 36.5 mm o/a w x 4 mm sq sect.	513584	1	
58	A 6MT12	2910-99-838-5490	...PLATE, COVER: fuel pump side	508969	1	
59	A 6MT12	5310-99-138-8204	...SPACER, RING, aluminium, 10 mm id x 12.5 mm od x 1 mm thk	507094	2	
60	A 6MT12	5306-99-977-8610	...BOLT, MACHINE, ISO metric, steel, hex hd, 6 mm x 21 mm o/a lg	506967	2	
61	A 6MT1	5330-99-838-5491	...RING, SEALING, TOROIDAL, rubber, 0.426 in. id x 0.070 in. h		1	
62	A 3RR	2910-99-826-2939	...FILLER PLUG, INSPECTION COVER	CV3099	1	
65	A G1	5310-99-971-2999	...WASHER, FLAT, steel, 5/16 in. id x 1/2 in. od x 1/32 in. thk		2	
66	A 6MT12	5310-99-807-8938	...NUT, PLAIN, HEXAGON, UNF, steel, 5/16 in.	82073	2	

59

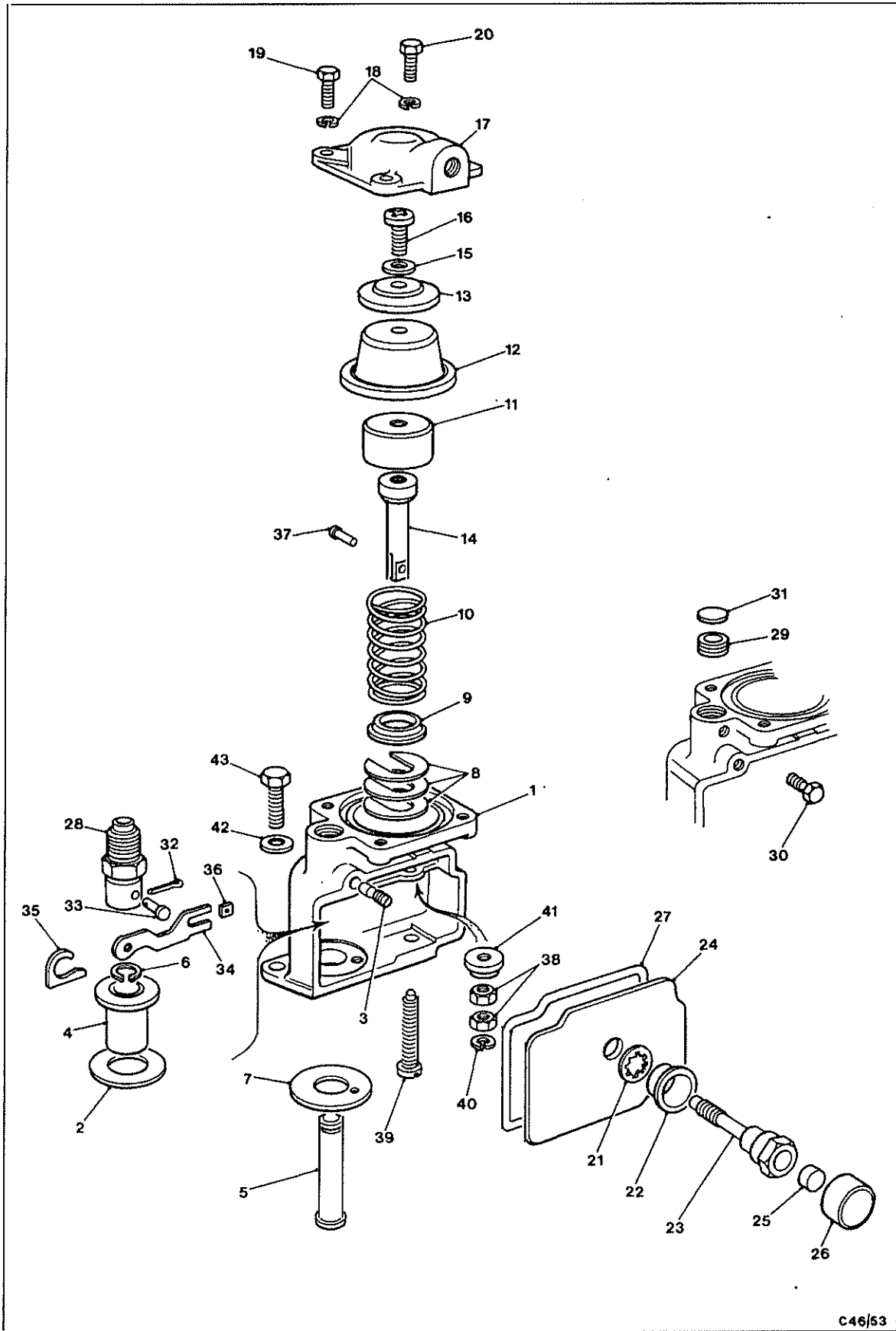


69

Fig 18 Fuel injection pump

FIG ITEM	MAN CODE NAVY - N ARMY - A RAF - R	NATO STOCK NUMBER	ITEM NAME AND DESCRIPTION	PART NO./ DRAWING NO.	NO. OFF	ANNOTATIONS
Fig 18 67	A 6MT12	5315-99-811-0906	ENGINE - contd .FUEL SYSTEM - contd ..PUMP, FUEL METERING AND DISTRIBUTING - contd ...KEY, WOODRUFF, steel, 5/32 in. thk x 1/4 in. h	23752	1	

67



C46/53

Fig 19 Fuel pump boost control

65

FIG ITEM	MAN CODE NAVY - N ARMY - A RAF - R	NATO STOCK NUMBER	ITEM NAME AND DESCRIPTION	PART NO./ DRAWING NO.	NO. OFF	ANNOTATIONS
Fig 19			ENGINE - contd			
			.FUEL SYSTEM - contd			
			..PUMP, FUEL METERING AND DISTRIBUTING - contd			
1-43		NP	...BOOST CONTROL UNIT: fuel pump	BC65ND	1	
1		NPHOUSING	513728	1	
2	A	6MT12 5310-99-138-7021WASHER, FLAT, steel, 18 mm id x 33.5 mm od x 1 mm thk	509439	1	
3	A	G1 5305-99-977-8619SCREW, GRUB, UNF, steel, socket drive, dog point, 1/4 in. x 3/8 in. o/a lg		1	
4		NPSLEEVE, LOCATING	509436	1	
5		NPROD	509416-10	1	
6	A	6MT1 5365-99-811-0810RING, RETAINING, steel, circlip, ext, for 6 mm dia groove		1	
7	A	6MT12 5330-99-828-2155GASKET, asbestos/rubber, 16mm id x 35 mm od x 0.25 mm thk, 1 hole 5.5 mm dia	506038	1	
8	A	X3 5365-99-214-7929SPACER PLATE, 0.954 mm thk	509788	3	
10	A	6MT12 5360-99-788-3662SPRING, HELICAL, COMPRESSION, steel, 5.1/2 total coils, 22.67 mm od x 41 mm free lg	509768-22	1	
11		NPPISTON	513809	1	
12	A	6MT12 2910-99-838-5825DIAPHRAGM, BOOST CONTROL UNIT	513578	1	
13		NPPLATE, RETAINING	509763	1	
14		NPROD, PISTON	513729	1	
15	A	6MT12 5310-99-881-6140WASHER, FLAT, rubberised paper, 1/4 in. id x 1/2 in. od x 1/32 in. thk	500079	1	
16	A	G1 5305-99-135-0216SCREW, MACHINE, ISO metric, steel, pan hd, slot drive, 6 mm -1mm pitch x 12 mm lg		1	
17		NPCOVER	513004-11	1	
18	A	6MT4 5310-99-333-2253WASHER, LOCK	100703-P	4	
19	A	G1 5305-99-137-7452SCREW, MACHINE, ISO metric, steel, hex hd, 5 mm - 0.8 mm pitch x 14 mm lg		3	
20	A	G1 5305-99-977-8620SCREW, MACHINE, ISO metric, steel, hex hd, 5 mm - 0.8 mm pitch x 14 mm lg		1	
21	A	G1 5310-99-912-9583WASHER, LOCK, steel, flat, int teeth, 3/8 in. id x 11/16 in. od x 1/32 in. thk		1	
22		NPRING	509785-10	1	
23		NPPILLAR	512916-10	1	
24		NPPLATE, COVER	512245	1	
25	A	6MT12 2910-99-838-6221FILTER, AIR BREATHER, steel mesh, 10 mm od x 9 mm lg	509787	1	
26		NPBREATHER CAP	509784	1	
27	A	6MT12 5330-99-214-7940GASKET, asbestos/rubber	512256	1	
28		NPSTOP, TORQUE CONTROL	513790	1	
29		NPCOLLAR	513744	1	
30	A	6MT12 5305-99-977-8621SHEAR SCREW, ISO metric, steel, 5 mm x 10 mm lg	513746	1	
31	A	6MT12 2910-99-838-5827COVER, BOOST CONTROL UNIT	513743	1	
32	A	G1 5315-99-944-0163PIN, COTTER, SPLIT, steel, 1/32 in. dia x 5/8 in. lg		1	
33	A	6MT12 5315-99-838-6222PIN, STRAIGHT, HEADED, steel, flat chamfer hd, 3 mm dia x 13 mm o/a lg	512253	1	
34	A	6MT12 2910-99-838-5828CAM-PLATE, TORQUE CONTROL	513738	1	
35		NPSHOE	514148	1	

69

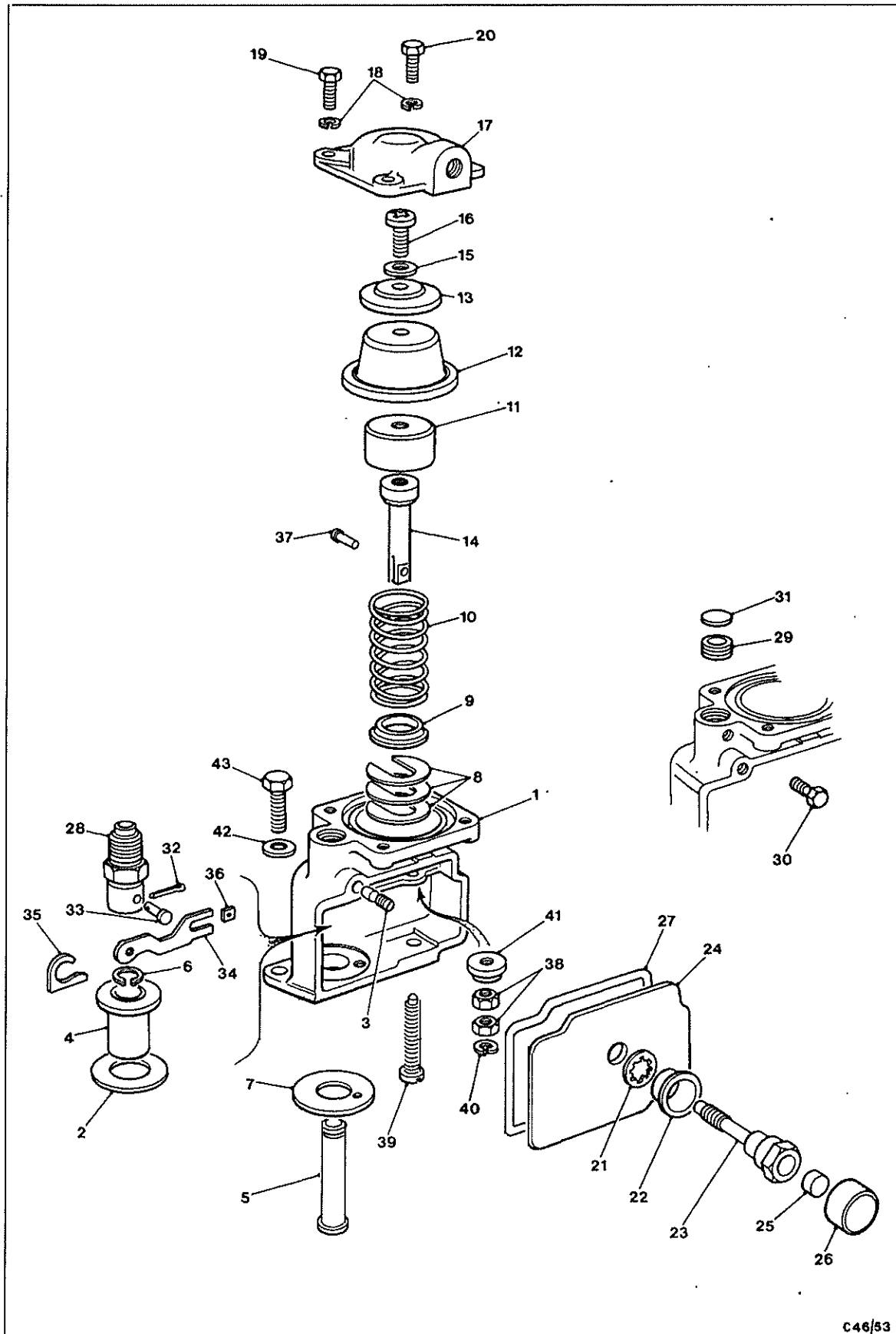


Fig 19 Fuel pump boost control

FIG ITEM	MAN CODE NAVY - N ARMY - A RAF - R	NATO STOCK NUMBER	ITEM NAME AND DESCRIPTION	PART NO./ DRAWING NO.	NO. OFF	ANNOTATIONS
Fig 19			ENGINE - contd .FUEL SYSTEM - contd ..PUMP, FUEL METERING AND DISTRIBUTING - contd			
36	A	6MT12	2910-99-838-5829	513745	1	
37	A	6MT12	5315-99-838-6222	512253	1	
38	A	G1	5310-99-122-3399	512253	1	
39	A	6MT12	5305-99-977-8622	512251-10	1	
40	A	G1	5310-99-100-6946	513799	1	
41		NPWHEEL	502224	1	
42	A	X3	5365-99-209-1037		AR	
43	A	G1	5305-99-977-8623		2	

71

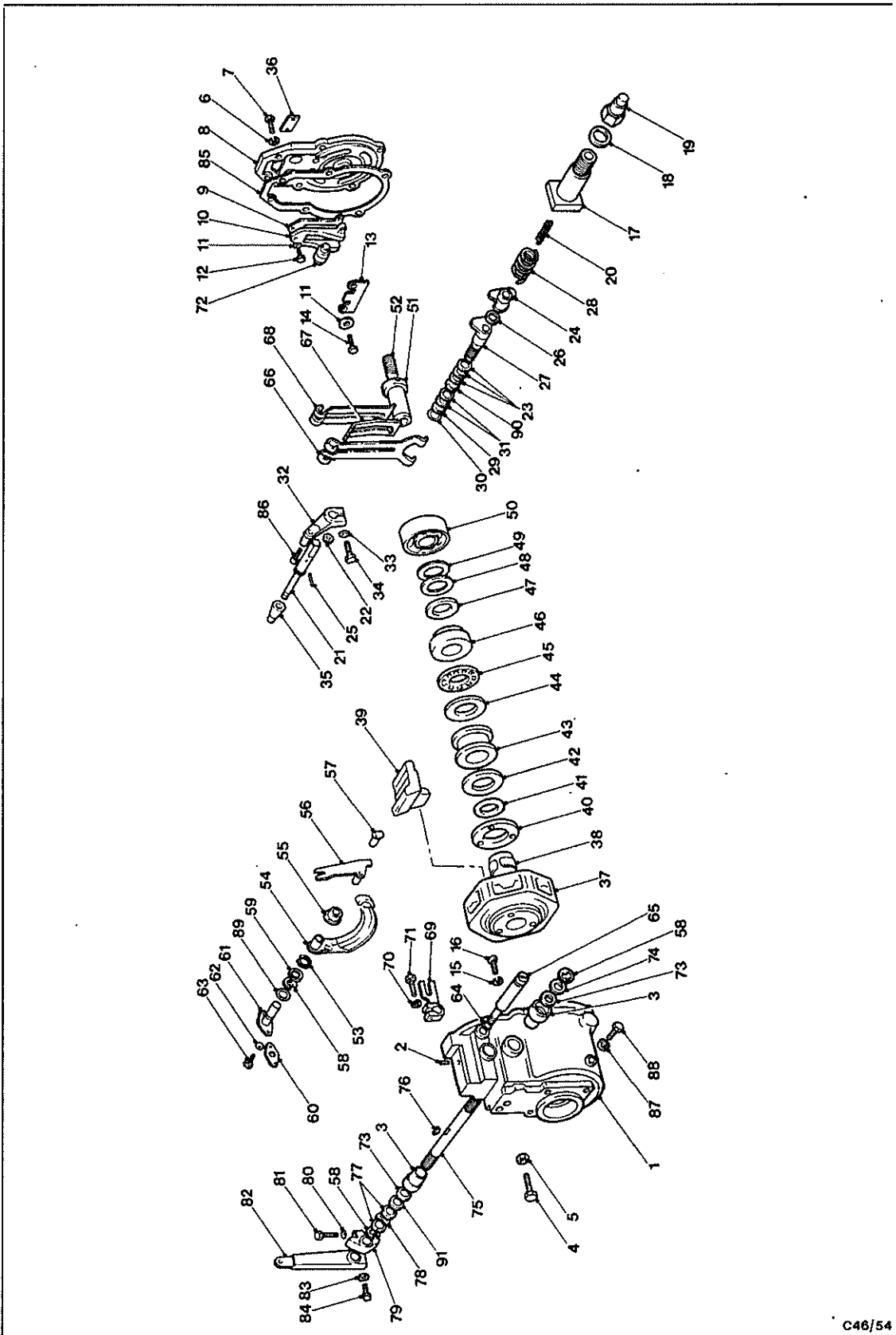
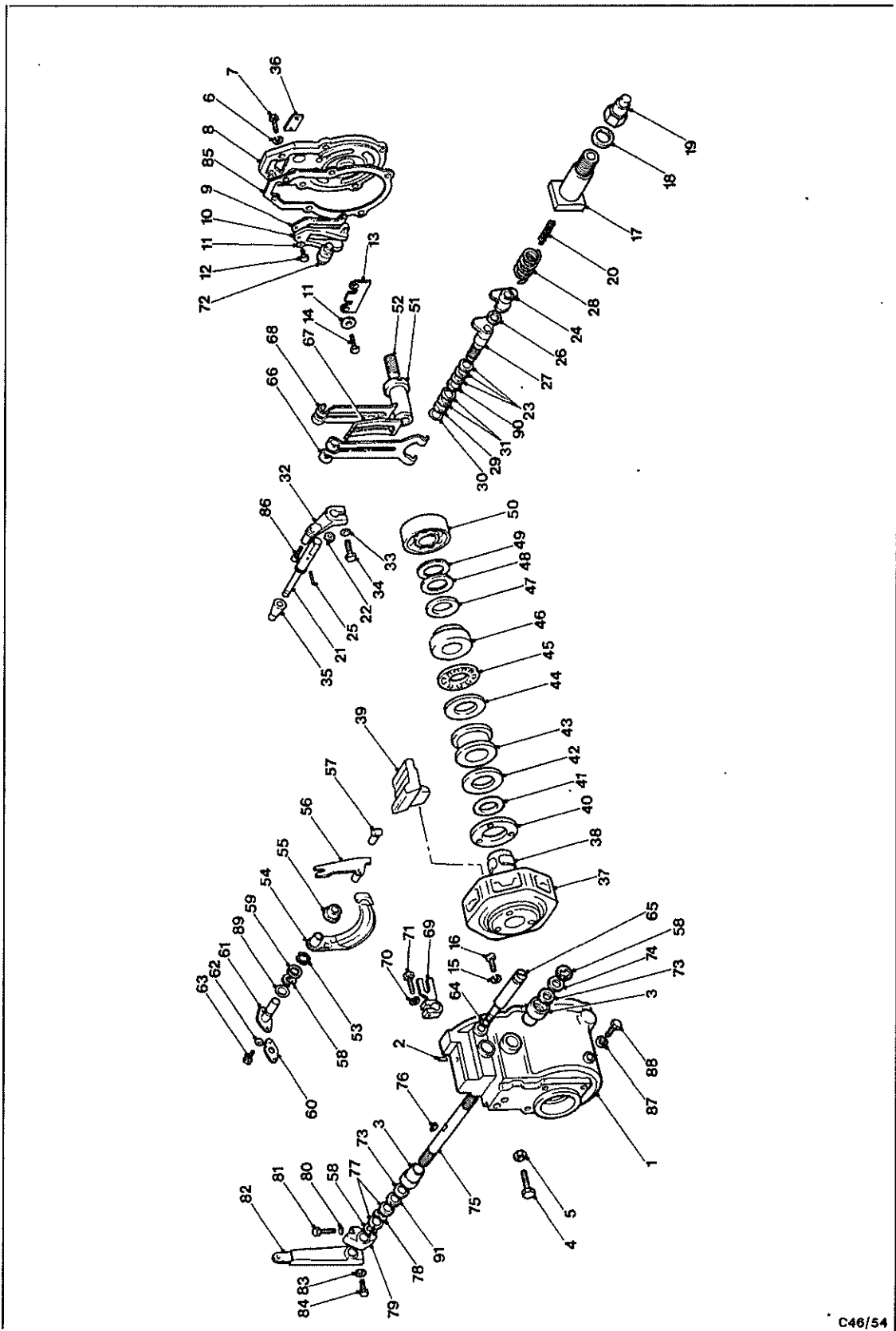


Fig 20 Governor

FIG ITEM	MAN CODE NAVY - N ARMY - A RAF - R	NATO STOCK NUMBER	ITEM NAME AND DESCRIPTION	PART NO./ DRAWING NO.	NO. OFF	ANNOTATIONS
Fig 20			ENGINE - contd .FUEL SYSTEM - contd ..PUMP, FUEL, METERING AND DISTRIBUTING - contd ...GOVERNOR -			
1-3		NPHOUSING, GOVERNOR	514068	1	
2	A 6MT12	2910-99-828-1974DOWEL, BOOST CONTROL	507310	1	
3	A 6MT12	3120-99-838-5493BUSHING, SLEEVE, brass, flanged, solid, 10 mm id x 13 mm od x 18 mm lg	507028	2	
4	A 6MT12	5305-99-746-4659SCREW, SET, ISO metric, steel, hex hd, oval dog point, 8 mm - 1.25 mm pitch x 30 mm lg	502729	2	
5	A G1	5310-99-122-3402NUT, PLAIN, HEXAGON, ISO metric, steel, 8 mm - 1.25 mm pitch		2	
6	A G1	5310-99-941-6654WASHER, LOCK, steel, split helical ring, 1/4 in. id		6	
7	A G1	5305-99-977-8612SCREW, MACHINE, ISO metric, steel, hex hd, 6 mm - 1 mm pitch x 30 mm lg		3	
8-14		NPCOVER, GOVERNOR ASSEMBLY	514064	1	
8		NPCOVER, GOVERNOR	514061	1	
9	A 6MT12	2910-99-828-1471SHIM, RAMP	505996)AR	
9	A 6MT12	2910-99-828-1472SHIM, RAMP	506117		
10	A 6MT12	2910-99-824-9950SHIM, RAMP	505995		
11	A G1	5310-99-135-9292RAMPWASHER, LOCK, steel, split helical ring, 5 mm id	503252	1	
12	A G1	5305-99-137-7452SCREW, MACHINE, ISO metric, st eel, hex hd, 5 mm - 0.8 mm pitch x 14 mm lg		3	
13		NPPLATE, STOP	513823	1	
15	A 6MT4	5310-99-804-1642WASHER, LOCK, steel, split helical ring, 5/16 in. id	5001-31	5	
16	A G1	5305-99-977-8608SCREW, SELF-LOCKING, ISO metric, steel, hex hd, 8 mm - 1.25 mm pitch x 18 mm lg		4	
17	A 6MT12	5365-99-838-6215BUSHING, MACHINE THREAD, steel, sq hd, M10-1.25 thd x 22 mm lg	506385	1	
18	A 6MT12	5310-99-751-5311WASHER, FIAT, aluminium or copper, 10 mm id x 16 mm od x 0.6 mm thk	504963	1	
19		NPNUT CAP	506384	1	
20	A X3	5360-99-209-9300SPRING, HELICAL, COMPRESSION	512345	1	
21		NPSHAFT	501462	1	
22	A X3	5335-99-214-1237PACKING, PREFORMED	126067-50	1	
23	A 6MT12	2910-99-838-5496WASHER, THRUST, steel, 10 mm id x 14 mm od x 0.5 mm thk	504972	2	
24	A 6MT12	2910-99-838-5497LEVER, ASSEMBLY, STOP, CONTROL	513877	1	
25	A 6MT12	5315-99-881-6139PIN, SPRING	124542	1	
26	A 6MT12	5315-99-881-6140WASHER, FLAT, rubberised paper, 1/4 in. id x 1/2 in. od x 1/32 in. thk	500079	1	
27	A 6MT12	2910-99-838-5498SHAFT, STOP CONTROL	508435	1	
28	A 6MT12	5360-99-838-5499SPRING, HELICAL, TORSION	512718	1	
29	A 6MT12	2910-99-838-5496WASHER, THRUST, steel, 10 mm id x 14 mm od x 0.5 mm thk	504972	1	
30	A 6MT1	5365-99-943-5798RING, RETAINING, steel, ext, for 3/8 in. dia shaft	5100-37	1	
31	A X3	5310-99-209-1036WASHER, FLAT	502223	AR	

73



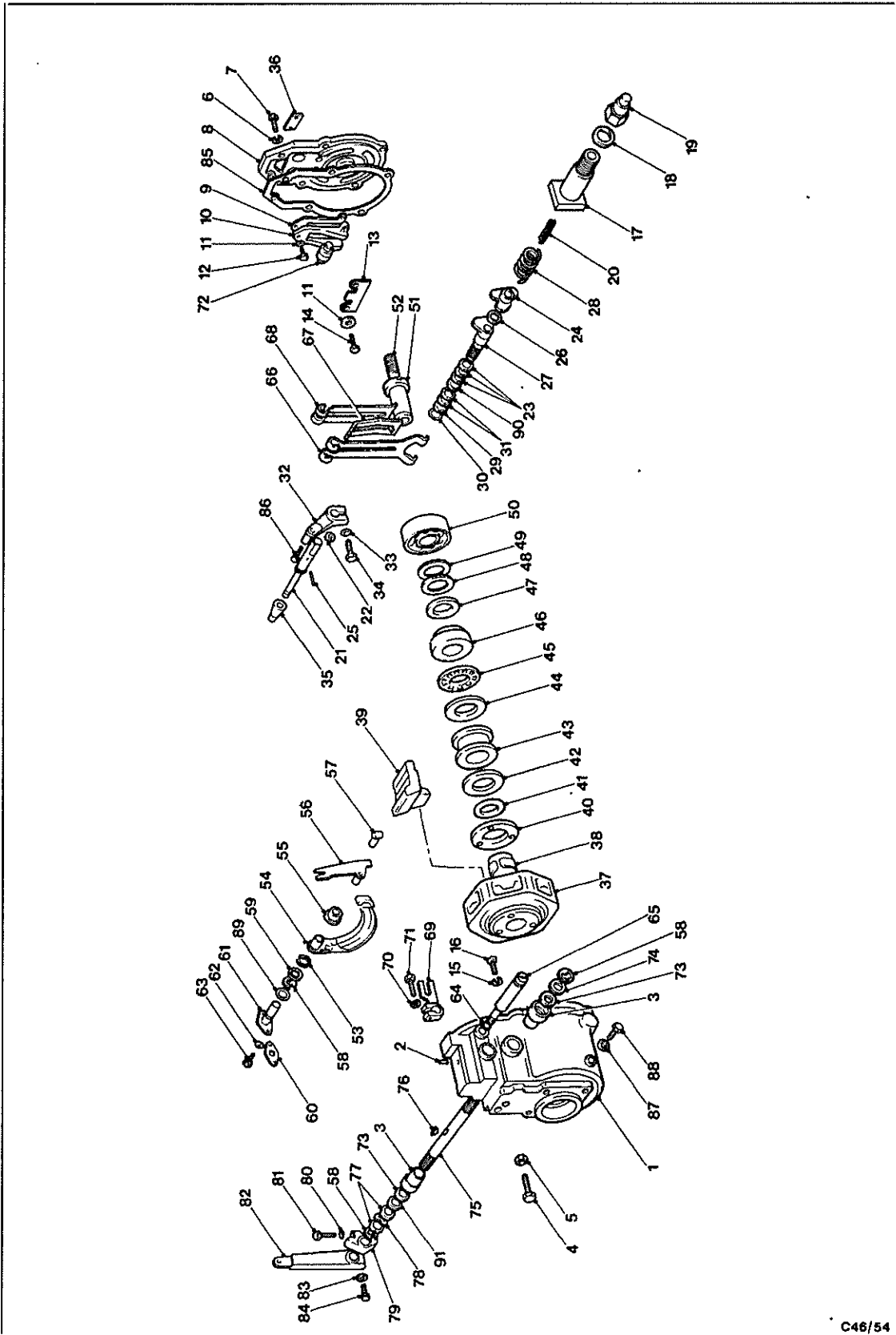
Chap 2-1

Fig 20 Governor

C46/54

FIG ITEM	MAN CODE NAVY - N ARMY - A RAF - R	NATO STOCK NUMBER	ITEM NAME AND DESCRIPTION	PART NO./ DRAWING NO.	NO. OFF	ANNOTATIONS
Fig 20			ENGINE - contd .FUEL SYSTEM - contd ..PUMP, FUEL, METERING AND DISTRIBUTING - contd ...GOVERNOR - contdLEVER, STOP CONTROLWASHER, LOCKSCREW, MACHINE, ISO metric, steel, hex hd, 5 mm - 0.8 mm pitch x 16 mm lgSHROUD	512727 100703-P 203338-P 500423	1 1 1 1	
32		NP				
33	A	6MT4	5310-99-333-2253			
34	A	G1	5305-99-977-8613			
35		NP				
37-50		NPHUB AND CAGE ASSEMBLY	259B	1	
38	A	6MT12	2910-99-838-6216INSERT, RUBBER, 13 mm lg x 8 mm w x 4 mm thk	509025	6	
39		NPWEIGHT, GOVERNOR	509447	4	
40		NPPLATE, RETAINING	509026	1	
41		NPRING, RETAINING	507857	1	
42	A	6MT12	3120-99-838-4893WASHER, THRUST, steel, 25 mm id x 46 mm od x 2.5 mm thk	508812	1	
43	A	6MT12	5340-99-838-6218BUSHING, PLASTICS, nylon, single hole, 2 flanges, 25 mm id x 42 mm od x 23 mm lg	507859	1	
44	A	6MT12	3120-99-838-5804WASHER, THRUST, steel, 25 mm id x 43 mm od x 1.5 mm thk	508853)AR	
	A	6MT12	3120-99-838-5805WASHER, THRUST, steel, 25 mm id x 43 mm od x 1.85 mm thk	508854		
	A	6MT12	3120-99-838-5806WASHER, THRUST, steel, 25 mm id x 43 mm od x 2.2 mm thk	508855		
45	A	6MT12	3120-99-838-5807WASHER, THRUST, steel, 25 mm id x 43 mm od x 2.55 mm thk	508856)AR	
	A	6MT12	3110-99-838-6219CAGE AND ROLLERS, BEARING, steel, 0.994 in. id x 1.595 in. od x 0.078 in. thk	513279		
46	A	6MT12	2910-99-838-6220PAD, THRUST, steel, 25 mm id x 44 mm od x 14 mm w, flanged	514610	1	
47	A	6MT12	5365-99-137-1834SPACER, RING, steel, 25 mm id x 28.5 mm od x 1.6 mm thk	505353)AR	
	A	6MT12	5365-99-137-1835SPACER, RING, steel, 25 mm id x 28.5 mm od x 1.85 mm thk	505354		
	A	6MT12	5365-99-137-1836SPACER, RING, steel, 25 mm id x 28.5 mm od x 2.1 mm thk	505355		
	A	6MT12	5365-99-137-1837SPACER, RING, steel, 25 mm id x 28.5 mm od x 2.35 mm thk	505356		
	A	6MT12	5365-99-137-1838SPACER, RING, steel, 25 mm id x 28.5 mm od x 2.6 mm thk	505357		
	A	6MT12	5365-99-137-1839SPACER, RING, steel, 25 mm id x 28.5 mm od x 2.85 mm thk	505358		
	A	6MT12	5365-99-137-1947SPACER, RING, steel, 25 mm id x 28.5 mm od x 3.1 mm thk	505359		
	A	6MT12	5365-99-838-5808SPACER, RING, steel, 25 mm id x 28.5 mm od x 3.4 mm thk	512097		
	A	6MT12	5365-99-838-5809SPACER, RING, steel, 25 mm id x 28.5 mm od x 3.6 mm thk	512098		
	A	6MT12	5365-99-838-5810SPACER, RING, steel, 25 mm id x 28.5 mm od x 3.9 mm thk	512099		
	A	6MT12	5365-99-838-5811SPACER, RING, steel, 25 mm id x 28.5 mm od x 4.1 mm thk	512100		
	A	6MT12	5365-99-838-5812SPACER, RING, steel, 25 mm id x 28.5 mm od x 4.4 mm thk	512101		
	A	6MT12	5365-99-838-5813SPACER, RING, steel, 25 mm id x 28.5 mm od x 4.6 mm thk	512102		
	A	6MT12	5365-99-838-5814SPACER, RING, steel, 25 mm id x 28.5 mm od x 4.9 mm thk	512103		

75



C46/54

Fig 20 Gov rnor

FIG ITEM	MAN CODE NAVY - N ARMY - A RAF - R	NATO STOCK NUMBER	ITEM NAME AND DESCRIPTION	PART NO./ DRAWING NO.	NO. OFF	ANNOTATIONS
Fig 20			ENGINE - contd .FUEL SYSTEM - contd ..PUMP, FUEL, METERING AND DISTRIBUTING - contd ...GOVERNOR - contdHUB AND CAGE ASSEMBLY - contd			
(A	6MT12	5365-99-838-5815SPACER, RING, steel, 25 mm id x 28.5 mm od x 5.1 mm thk	512104)
(A	6MT12	5365-99-838-5816SPACER, RING, steel, 25 mm id x 28.5 mm od x 5.4 mm thk	512105)AR
47	(A	6MT12	5365-99-838-5817SPACER, RING, steel, 25 mm id x 28.5 mm od x 5.6 mm thk)
)
48		NPSHIM	506619)
49		NPSHIM	506620)
50		NPBEARING	506617	1)
51	A	6MT12	5310-99-977-8614NUT, steel, 3/8 in. UNF thd one end, 1/2 in. UNF thd other end, 59 mm o/a lg; slot drive	512025	1
52	A	X3	5305-99-205-7036SCREW, GRUB, UNF, steel, slot drive, 3/8 in. x 1-1/2 in. o/a lg	503091	1
53-56		NPLEVER, LOCKING	506628	1)
53	A	6MT12	5365-99-838-6217RING, RETAINING, steel, ext, 10 mm id	506636	1
54		NPLINK, TOP	508399	1)
55	A	6MT13	5360-99-214-8202SPRING, HELICAL, TORSION	508524	1
56		NPLINK, TOP	506628	1)
57	A	X3	5315-99-205-7226PIN, GROOVED, HEADED, steel, rd hd w/wrenching flats, 5 mm dia x 20 mm lg	502978	1
58	A	6MT1	5365-99-914-0215RING, RETAINING, steel, ext, for 3/8 in. dia shaft		2
59	A	6MT1	5330-99-838-5819RING, SEALING, TOROIDAL, rubber, 0.364 in. id x 0.07 in. h		1
60	A	6MT12	5330-99-831-7267GASKET, asbestos/rubber, 32 mm lg x 16 mm w x 0.5 mm thk; 10 mm dia centre hole	507023	1
61	A	6MT12	2910-99-214-8209PIVOT PIN AND PLATE	506637	1
62	A	6MT12	5310-99-808-4389WASHER, FLAT, steel, 13/64 in. id x 21/64 in. od x 3/64 in. thk	500973	2
63	A	G1	5305-99-977-8615SCREW, SELF-LOCKING, ISO metric, steel, hex hd, 5 mm - 0.8 mm pitch x 12 mm lg	507096	2
64	A	6MT1	5330-99-838-5488RING, SEALING, TOROIDAL, rubber, 0.239 in. id x 0.07 in. h		1
65	A	6MT12	2910-99-838-5821PIN, FULCRUM	504983	1
66	A	X3	2910-99-209-1266PRIMARY SPRING, GOVERNOR	504352	1
67	A	X3	2910-99-205-6389INTERLEAF, AUXILIARY, IDLING SPRING	503193	1
68	A	X3	2910-99-205-6390SECONDARY SPRING, GOVERNOR	501910	1
69		NPLEVER, ROLLER CONTROL	506740	1)
70	A	6MT4	5310-99-333-2253WASHER, LOCK	100703-P	1
71	A	G1	5305-99-977-8616SCREW, CROSS HEAD		1
72	A	6MT12	2910-99-828-2082ROLLER ASSEMBLY, GOVERNOR ACTUATING SPRING	508200	1
73	A	6MT12	5330-99-838-5822PACKING, PREFORMED, rubber, 0.364 in. id x 0.504 in. od x 0.070 in. h	126067-100	2
74	A	6MT1	5330-99-838-5818RING, SEALING, TOROIDAL, rubber 0.364 in. id x 0.070 in. h	126064-101	3

FIG ITEM	MAN CODE NAVY - N ARMY - A RAF - R	NATO STOCK NUMBER	ITEM NAME AND DESCRIPTION	PART NO./ DRAWING NO.	NO. OFF	ANNOTATIONS
Fig 20			ENGINE - contd .FUEL SYSTEM - contd ..PUMP, FUEL, METERING AND DISTRIBUTING - contd ...GOVERNOR - contd			
75		NPSHAFT, CONTROL	502326	1	
76	A G1	5315-99-943-5949KEY, WOODRUFF, steel, key and cutter No. 403		1	
77	A X3	5310-99-112-7696WASHER, FLAT, steel, 9.6 mm id x 18 mm od x 0.5 mm thk	501754	3	
78	A 6MT12	5310-99-881-6167WASHER, SPRING TENSION	501226	1	
79		NPSTOP	504981	1	
80	A 6MT4	5310-99-333-2253WASHER, LOCK	100703P	2	
81	A G1	5305-99-977-8617SCREW, MACHINE, ISO metric, steel, hex hd, 5 mm - 0.8 mm pitch x 22 mm lg		1	
82		NPLEVER, CONTROL	509341-3	1	
83	A 6MT4	5310-99-333-2253WASHER, LOCK	100703P	1	
84	A G1	5305-99-977-8618SCREW, MACHINE, ISO metric, steel, hex hd, 5 mm - 0.8 mm pitch x 20 mm lg		1	
85	A 6MT12	5330-99-838-5823GASKET, rubber/asbestos, 185 mm lg x 119 mm o/a w, 6 bolt holes	508760	1	
87	A 6MT12	5310-99-810-7683WASHER, FLAT, copper, 8 mm id x 11 mm od x 1 mm thk	NW5-17W4	1	
88	A 6MT12	5365-99-822-6088PLUG, SCREWED, UNF, steel, hex hd, 5/16 in. w/tuf-lok patch	507360	1	

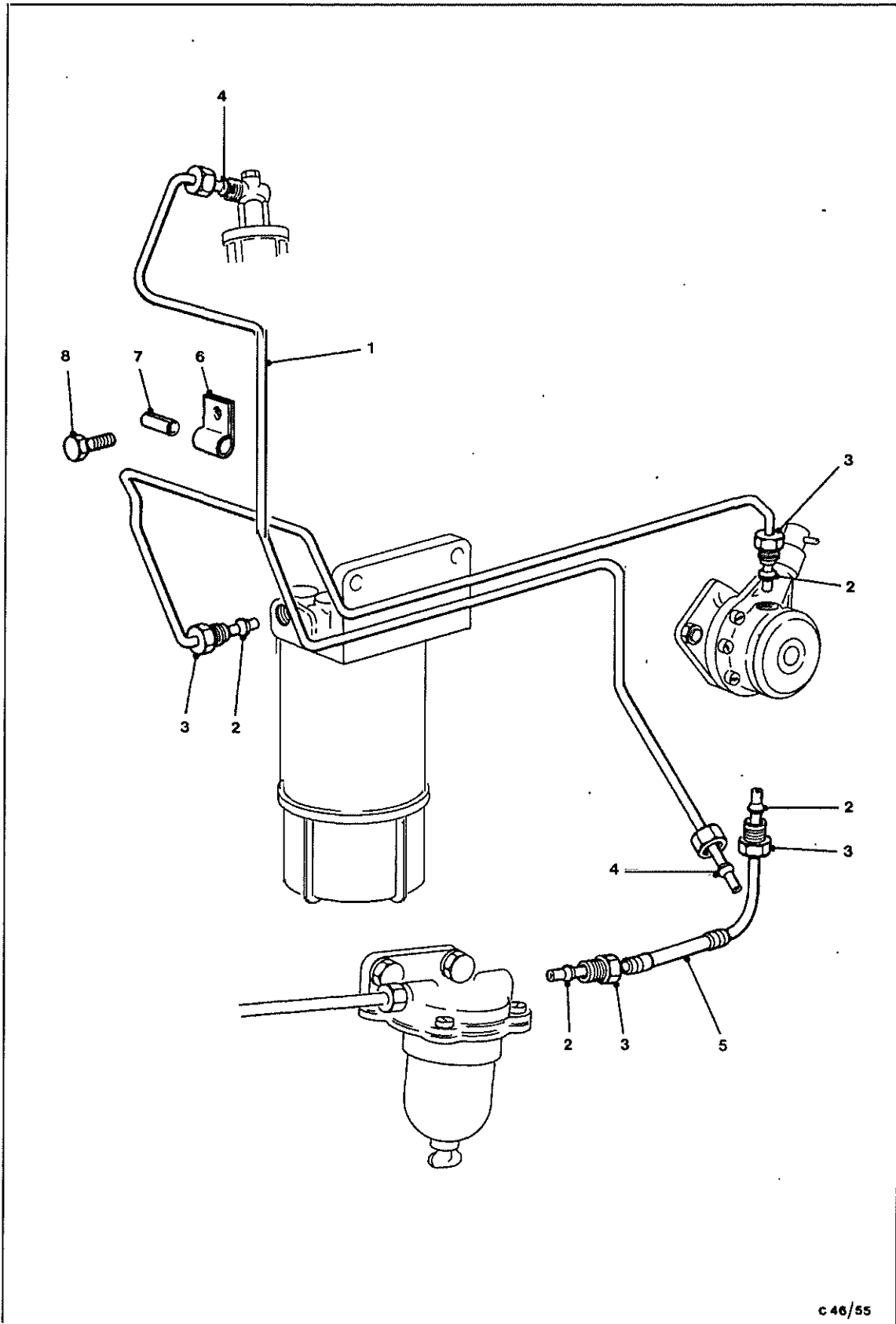
79

「

08

70

FIG ITEM	MAN CODE NAVY - N ARMY - A RAF - R	NATO STOCK NUMBER	ITEM NAME AND DESCRIPTION	PART NO./ DRAWING NO.	NO. OFF	ANNOTATIONS
NI	A	6MT12	2910-99-838-4031	ENGINE - contd .FUEL SYSTEM - contd ..INJECTORS, O.M.A.P. - ...NOZZLE ASSEMBLY, FUEL, PRESSURE ATOMIZING	OKLL108S9200	6
NI	A	6MT12	2910-99-838-4032HOLDER, FUEL NOZZLE	OKLL108S3013	1
NI	A	6MT12	2910-99-201-4111SPRING, HELICAL, COMPRESSION	6201	1
NI	A	6MT12	2910-99-838-4033NUT, INVERTED; spring pressure adjusting	6172	1
NI	A	6MT12	5310-99-710-2146SPACER, RING, copper, 21 mm id x 25 mm od x 1.4 mm thk	5973	1
NI	A	6MT12	2910-99-838-4034NOZZLE, FUEL, PRESSURE ATOMIZING	OLL150S8770	1
NI	A	6MT12	2910-99-838-4035NUT, NOZZLE RETAINING		1
NI	A	6MT12	2910-99-832-7172	..INJECTORS, C.A.V. - ...NOZZLE ASSEMBLY, FUEL, PRESSURE ATOMIZING	5267801	6
NI	A	6MT12	2910-99-838-4911HOLDER, FUEL NOZZLE	52678	1
NI	A	6MT12	2910-99-838-4912NOZZLE, FUEL, PRESSURE ATOMIZING	5621345	1
NI	A	6MT12	4730-99-807-7520NUT, UNION, PIPE	7008-187	1
NI	A	7BD	5330-99-817-6368RING, SEALING, TOROIDAL, rubber, 1.100 in.id x 0.086 in. h	26871417	1
NI	A	6MT12	2910-99-792-3337	...NOZZLE ASSEMBLY, FUEL, PRESSURE ATOMIZING	5268302	6
NI	A	6MT12	2910-99-774-0661HOLDER, FUEL NOZZLE	56283	1
NI	A	6MT12	2910-99-792-3338NOZZLE, FUEL, PRESSURE ATOMIZING	5621843	1
NI	A	6MT4	2920-99-763-6022	..IGNITER ASSEMBLY: cold start aid	91064626	2



Chap 2-1

Fig 21 Fu l pip s

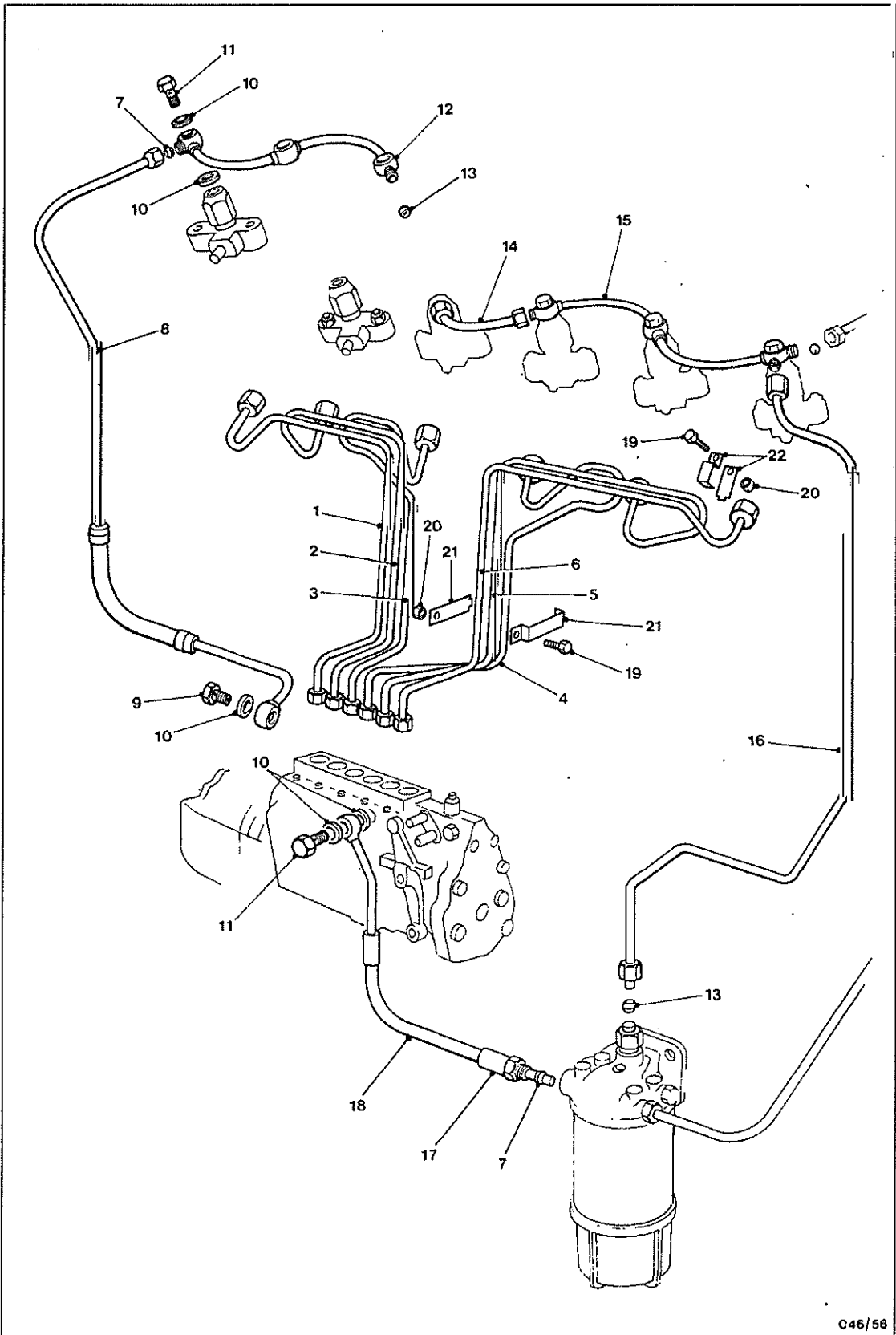
c 46/55

88

1:10

FIG ITEM	MAN CODE NAVY - N ARMY - A RAF - R	NATO STOCK NUMBER	ITEM NAME AND DESCRIPTION	PART NO./ DRAWING NO.	NO. OFF	ANNOTATIONS
Fig 21			ENGINE - contd .FUEL SYSTEM - contd ..PIPES AND FITTINGS -			
1		NP	...PIPE ASSEMBLY: fuel return	91042893	1)
2	A	7BD 5330-99-838-4848	...SLEEVE, COMPRESSION	91065473)	AR
3	A	7BD 4730-99-833-2408	...NUT, INVERTED	7094460)	
4		NP	...SLEEVE, COMPRESSION	11011223)	
5		NP	...PIPE ASSEMBLY	91015088	1	
6-7		NP	...CLIP	91030078	1	
NI	A	G2 4710-99-964-7356	...PIPING, STEEL, 3/16 in. od; bundy			AR

83



Chap 2-1

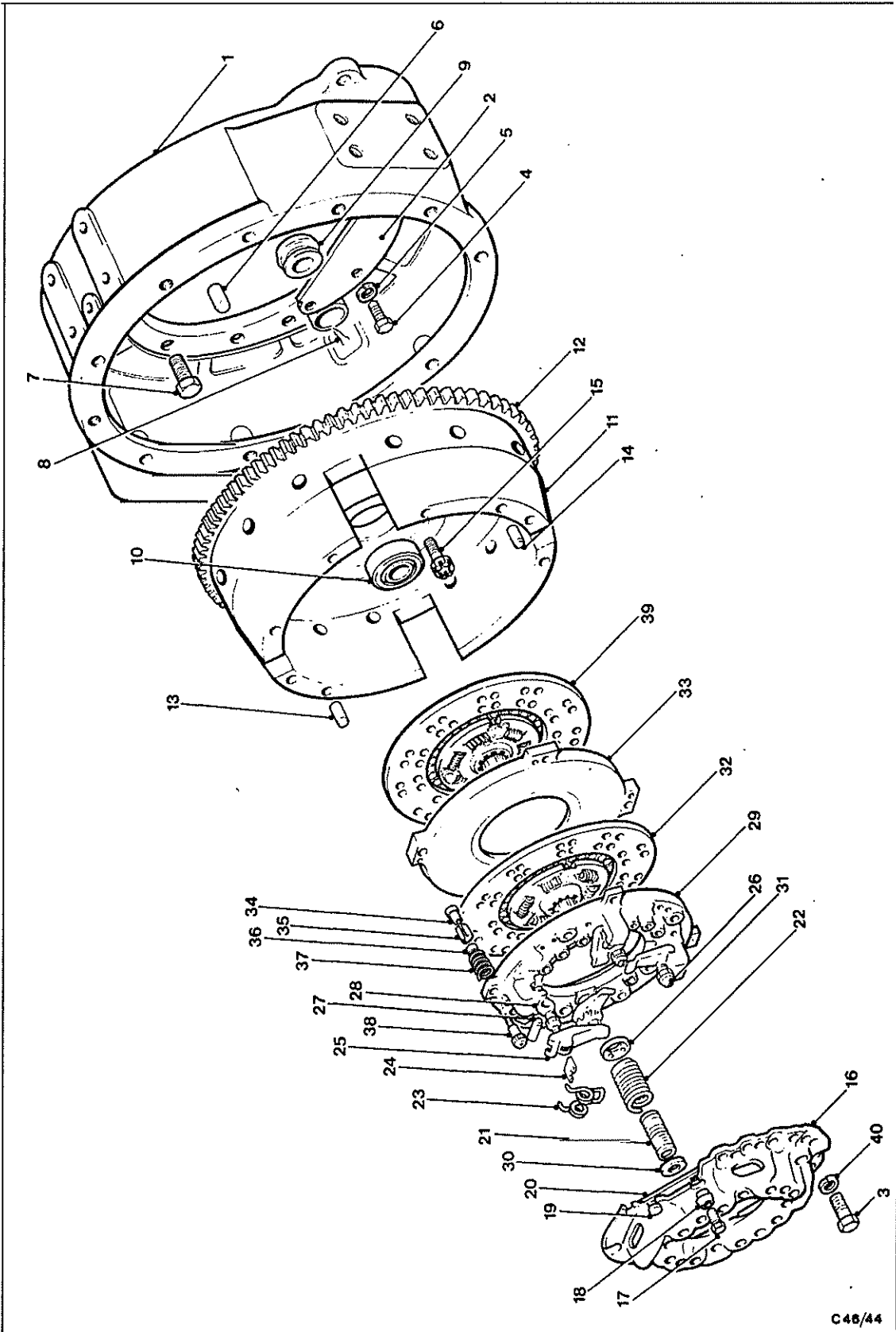
Fig 22 Fu I pipes

C46/56

18

FIG ITEM	MAN CODE NAVY - N ARMY - A RAF - R	NATO STOCK NUMBER	ITEM NAME AND DESCRIPTION	PART NO./ DRAWING NO.	NO. OFF	ANNOTATIONS
Fig 22						
1	A	7BD	2910-99-832-7230	ENGINE - contd .FUEL SYSTEM - contd ..PIPES AND FITTINGS - contd ...PIPE ASSEMBLY, FUEL INJECTION; c/w end fittings and rubber sleeves	91036433	1 No.1 cylinder
2	A	7BD	2910-99-832-7231	...PIPE ASSEMBLY, FUEL INJECTION; c/w end fittings and rubber sleeves	91036434	1 No.2 cylinder
3	A	7BD	2910-99-832-7232	...PIPE ASSEMBLY, FUEL INJECTION; c/w end fittings and rubber sleeves	91036435	1 No.3 cylinder
4	A	7BD	2910-99-832-7233	...PIPE ASSEMBLY, FUEL INJECTION; c/w end fittings and rubber sleeves	91036436	1 No.4 cylinder
5	A	7BD	2910-99-832-7234	...PIPE ASSEMBLY, FUEL INJECTION; c/w end fittings and rubber sleeves	91036437	1 No.5 cylinder
6	A	7BD	2910-99-832-7335	...PIPE ASSEMBLY, FUEL INJECTION; c/w end fittings and rubber sleeves	91036438	1 No.6 cylinder
7	A	7BD	5330-99-838-4848	...SLEEVE, COMPRESSION, PIPE-HOSE	91065473	AR
8		NP	...PIPE ASSEMBLY, VENT; No.1 injector to injection pump	91071026	1	
9	A	7BD	4730-99-746-1183	...BOLT, FLUID PASSAGE	9963922	1
10	A	7BD	4730-99-838-4588	...WASHER, FIAT	91064608) AR
11	A	7BD	4730-99-761-2021	...BOLT, FLUID PASSAGE	91070564	
12	A	7BD	2910-99-832-7038	...PIPE, STEEL; 2 bends, 3 connectors	91004061	1 Front drain
13	A	7BD	5330-99-838-4847	...SLEEVE, COMPRESSION, PIPE-HOSE	91064748	AR
14		NP	...PIPE ASSEMBLY, single bend c/w fittings	2688574	1	Centre drain
15	A	7BD	2815-99-829-5038	...PIPE, STEEL, 2 bends, 3 connectors	2699052	1 Rear drain
16		NP	...PIPE ASSEMBLY, VENT; No.6 injector to filter		1	
17	A	7BD	4730-99-833-2408	...INVERTED NUT, UNION PIPE	7094460	1
18		NP	...PIPE ASSEMBLY	91036912	1	
NI	A	G2	4710-99-964-7356	...PIPING, STEEL, 3/16 in. od; bundy) AR
NI	A	7BD	4730-99-809-0832	...NUT, UNION, PIPE	190868	

58



C48/A4

Chap 2 - 1

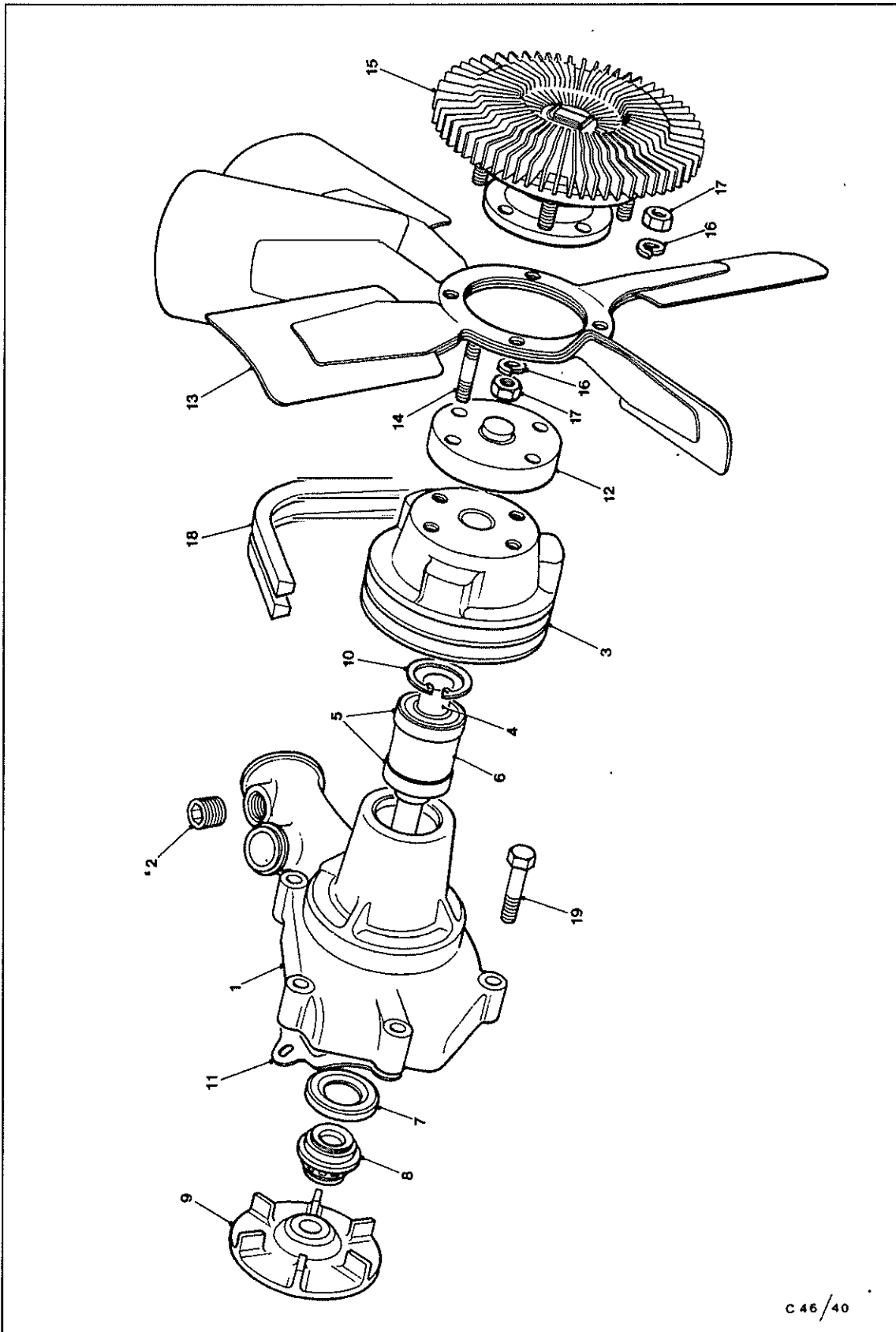
Fig 23 Flywheel and clutch

104

FIG ITEM	MAN CODE NAVY - N ARMY - A RAF - R	NATO STOCK NUMBER	ITEM NAME AND DESCRIPTION	PART NO./ DRAWING NO.	NO. OFF	ANNOTATIONS
Fig 23			ENGINE - contd			
4	A 7BD	5305-99-764-8303	..FLYWHEEL AND CLUTCH - ..SCREW, MACHINE: cover to flywheel housing	120854	4)From)engine
NI	A G1	5310-99-977-7351	..WASHER, FIAT, steel, 7 mm id x 14 mm od x 1.60 mm thk		4)No.)7420100
6	A 7BD	5315-99-832-5617	..PIN, STRAIGHT, HEADLESS: flywheel housing to crankcase	245423	4	
7	A 7BD	5306-99-830-9554	..BOLT, UNC, steel, phosphated, hex hd, 1/2 in. x 42 mm lg	91006273	7	
9	A 7BD	5340-99-805-8264	..PLUG, rubber, 15/32 in.	7197840	1	
10-12	A 7BD	2815-99-838-4830	..FLYWHEEL, ENGINE, CI; w/starter ring and bearing	9967273	1)
10	A 6MT7	3110-99-836-1395	...BEARING, BALL, JOURNAL, 30 mm id, 72 mm od, 19 mm w, 3 dot, shield		1)Up to)engine
12	A 7BD	2805-99-895-0110	...RING, STARTER, ENGINE, 134 teeth, 16-15/16 in. od, 15-5/8 in. id, 5/8 in. thk	7126607	1)No.)7420099
NI	A 7BD	2805-99-978-1747	..FLYWHEEL ASSEMBLY; w/ring gear assy	91105197	1)
NI	A 7BD	2805-99-895-0110	...RING, STARTER, ENGINE, 134 teeth 16-15/16 in. od x 15-5/8 in. id x 5/8 in. thk	7126607	1)From)engine
NI	A 7BD	3110-99-978-1748	..BEARING, BALL, RACE, 30 mm id x 62 mm od x 16 mm lg: clutch spigot	91105304	1)No.)7420100
15	A 7BD	5306-99-769-3617	..BOLT, SELF-LOCKING, UNF, steel, hex hd, phosphated, 1/2 in. x 1-1/2 in. lg	91105545	6)
16-38	A 6MT10	2520-99-832-7151	..CLUTCH, FRICTION	56689/10	1	
16-31	A 6MT10	2520-99-838-4831	...CLUTCH, FRICTION	50461/17	1	
32	A 6MT10	2520-99-832-7150	...PLATE, CLUTCH, 353.31 mm max/ 251.79 mm min od, 36.32 mm o/a	55543/85	1	Pressure plate side
33	A 6MT10	2520-99-838-4833	...PLATE, PRESSURE, FRICTION CLUTCH, 403.86 mm dia outside lugs, 26.42 mm thk	56696	1	
39	A 6MT10	2520-99-832-6849	..PLATE, CLUTCH, 353.31 mm max/ 351.79 mm min od, 43.18 mm o/a thk	55543/86	1	Flywheel side
NI	A 6MT10	2520-99-838-4832	..PARTS KIT, FRICTION CLUTCH; c/w 2 facings & 46 rivets per kit	SSC76328	2	
17-28	A 6MT10	2520-99-832-7047	..PARTS KIT, CLUTCH; w/68 items	SSC7630	1	kits
34-37	A 6MT10	2520-99-838-4834	..PARTS KIT, CLUTCH; w/20 items	SSC76331	1	kit

67

107

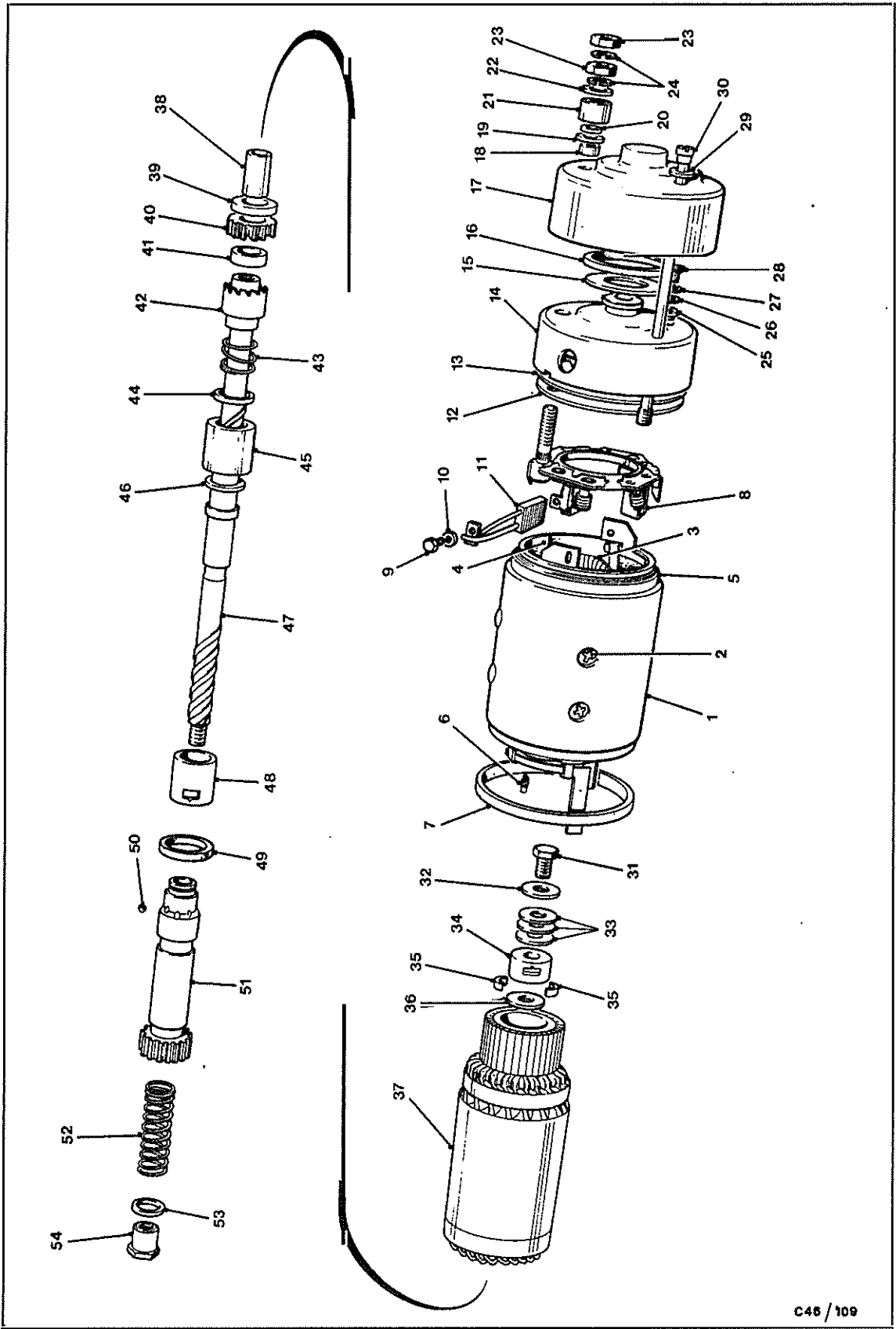


C 46/40

Fig24 Coolant pump and fan

FIG ITEM	MAN CODE NAVY - N ARMY - A RAF - R	NATO STOCK NUMBER	ITEM NAME AND DESCRIPTION	PART NO./ DRAWING NO.	NO. OFF	ANNOTATIONS
Fig 24						
1-10	A	7BD	4320-99-832-7153	ENGINE - contd ..COOLANT PUMP AND FAN - ..PUMP, ROTARY, POWER DRIVEN, coolant	91049785	1
3	A	7BD	3020-99-832-7154	...PULLEY, GROOVE, two grooves, 143 mm od, 70.4 mm w	91075087	1
4-6			NP	...SHAFT AND BEARING, assy	91043504	1
7	A	7BD	5330-99-838-4824	...SEAL, PLAIN, rubber/steel, 25 mm id, 42 mm od, 7 mm w	91043503	1
8	A	7BD	5330-99-838-4825	...PACKING, assy, 15.25 mm id, 40 mm od, 26.5 mm lg	91049401	1
4-11	A	7BD	2930-99-838-4826	..PARTS KIT, COOLANT PUMP	91053454	1
11	A	7BD	5330-99-829-5024	..GASKET: pump to crankcase	8839066	1
12	A			..SPACER: Fan to pulley	91055026	1
13	A	7BD	4140-99-833-4299	..FAN, IMPELLER, AXIAL, steel, 5 blades	91054983	1
14	A	7BD	5307-99-838-4828	..STUD, PLAIN, steel, zinc coated, 5/16 in. - 18 UN special, 5/16 in. UNF, 59 mm o/a lg	91067832	4
15	A	7BD	2930-99-838-4827	..COUPLING, FAN DRIVE, 212.9 mm od, 89.25 mm o/a lg, 4 studs 5/16 in. UNF, 4 bolt holes in flange 8.73 mm dia	91075876	1
18	A	7BD	3030-99-778-6360	..BELT, V, ENDLESS, matched set, 2 belts	095-1425	1 set
NI	A	7BD	6685-99-838-4829	..TRANSMITTER, TEMPERATURE, ELECTRICAL RESISTANCE, 1/2 in. NPTF thd, 60 mm o/a lg, 1 pin, 1 blade terminal	9972019	1

89



Chap 2-1

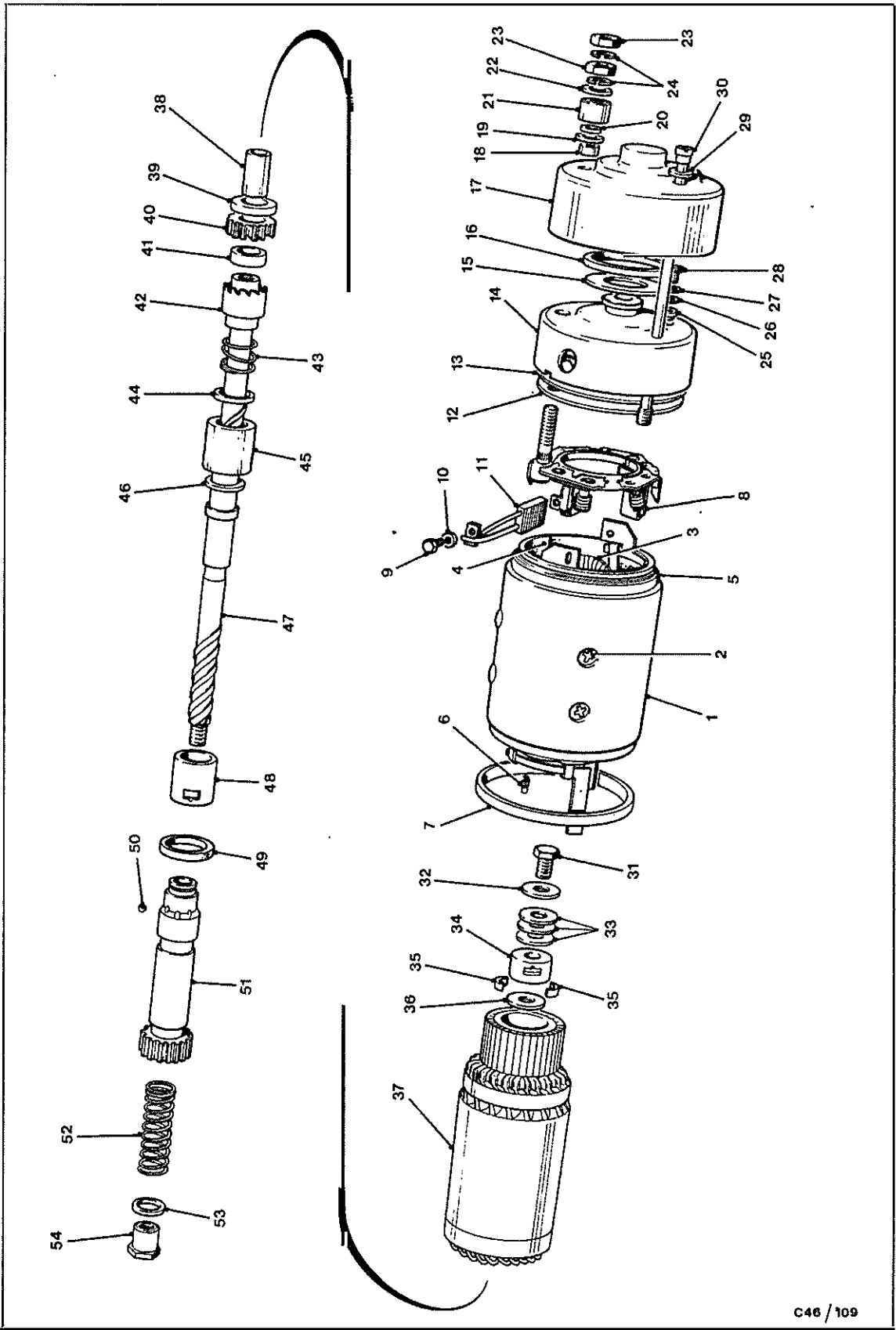
Fig 25 Starter motor

C46 / 109

FIG ITEM	MAN CODE NAVY - N ARMY - A RAF - R	NATO STOCK NUMBER	ITEM NAME AND DESCRIPTION	PART NO./ DRAWING NO.	NO. OFF	ANNOTATIONS
Fig 25						
1-54	A	6MT4	2920-99-832-7168	ENGINE - contd ..STARTER, ENGINE, ELECTRICAL, 24V, insulated return	231110	1 c/w solenoid
1		NP	..MAIN CASE		1	
2		NP	..POLE-SCREW	5333-190	AR	
3	A	6MT4	2920-99-829-9352	..WINDING, MOTOR FIELD	6333F808	1
4	A	6MT4	5970-99-838-5507	..INSULATOR, PLATE: field coil, starter	6265-195A	1
NI	A	6MT4	5970-99-838-5508	..INSULATOR, PLATE: field coil, starter	6265-196	1
5		NP	..RING, SEALING		1	
6		NP	..DOWEL	6265-169	1	
7		NP	..RING, SEALING		1	
8	A	6MT4	2920-99-838-5509	..SPRING, SET, BRUSH: starter	6010-59	1 set
9	A	G1	5305-99-138-0353	..SCREW, MACHINE, UNC, steel, hex hd, No.10 x 1/2 in. lg		4
10	A	G1	5310-99-941-6653	..WASHER, LOCK, steel, split helical ring, 3/16 in. id		4
11	A	6MT4	5977-99-829-9354	..BRUSH SET, ELECTRICAL CONTACT	6068-39	1 set
12		NP	..PLATE INSULATOR	6265-325	1	
13		NP	..INSULATOR STRIP	6265-471	1	
14		NP	..ENDSHIELD	6265-117B	1	
NI	A	6MT4	2920-99-829-9355	..BEARING	6265-108	1
15		NP	..PAD, LUBRICATION	6265-104	1	
16	A	6MT4	5330-99-838-5510	..PACKING, PREFORMED, rubber, 54 mm id x 65 mm od x 6 mm h	6265-105	1
17		NP	..COVER	6265-32A	1	
18		NP	..BUSH, INSULATING	6265-515	1	
19	A	6MT4	5330-99-838-5511	..GASKET: terminal starter	6265-386	1
20	A	6MT4	5330-99-838-5512	..GASKET: terminal starter	6265-516	1
21		NP	..INSULATOR, TERMINAL	6265-385	1	
22	A	G1	5310-99-122-6476	..WASHER, FLAT, steel, 10 mm id x 21 mm od x 2 mm thk		1
23	A	6MT4	5310-99-977-8416	..NUT, PLAIN, HEXAGON, ISO, metric, steel, 10 mm	NU11-7TB	2
24	A	6MT4	5310-99-806-7450	..WASHER, LOCK, steel, 13/32 in. id x 5/8 in. od x 3/16 in. thk	5001-26	2
25		NP	..BUSH, INSULATING	5587-144A	1	
26	A	6MT4	5310-99-813-0216	..WASHER, FLAT, steel, 5 mm id x 12 mm od x 1.5 mm thk	NW2-28Z1	1
27	A	6MT4	5310-99-417-9291	..WASHER, LOCK, steel, flat ext teeth, for 2 BA bolt	NP2-6	1
28			..SCREW, MACHINE	5334-419A	1	
30	A	6MT4	5305-99-838-5506	..SCREW, EXTERNALLY RELIEVED BODY, slot drive	6265-447A	2
31	A	6MT4	5305-99-977-9991	..SCREW, SELF-LOCKING, ISO metric, steel, hex hd, 10 mm - 1 mm pitch x 18 mm lg	5334-413	1
32	A	6MT4	3120-99-838-5517	..WASHER, THRUST, steel, 10.2 mm id x 28 mm od x 1.4 mm thk	5936-341	AR
34-47		NP	..KIT, ARMATURE	6265-444	1 kit	
34	A	6MT4	2920-99-829-9359	...RECOIL UNIT	6265-185	1
35		NP	...COLLET, RECOIL UNIT	6265-79	2	
37	A	6MT4	2920-99-829-9357	...ARMATURE, MOTOR	6265-445	1
39	A	6MT4	3120-99-838-5513	...WASHER, THRUST, fabric/resin, 20.5 mm id x 33 mm od x 4.8 mm thk	6265-430	1
43	A	6MT4	5360-99-838-5514	...SPRING, HELICAL, COMPRESSION: ratchet, starter	6265-78	1

11

101



Chap 2-1

Fig 25 Starter motor

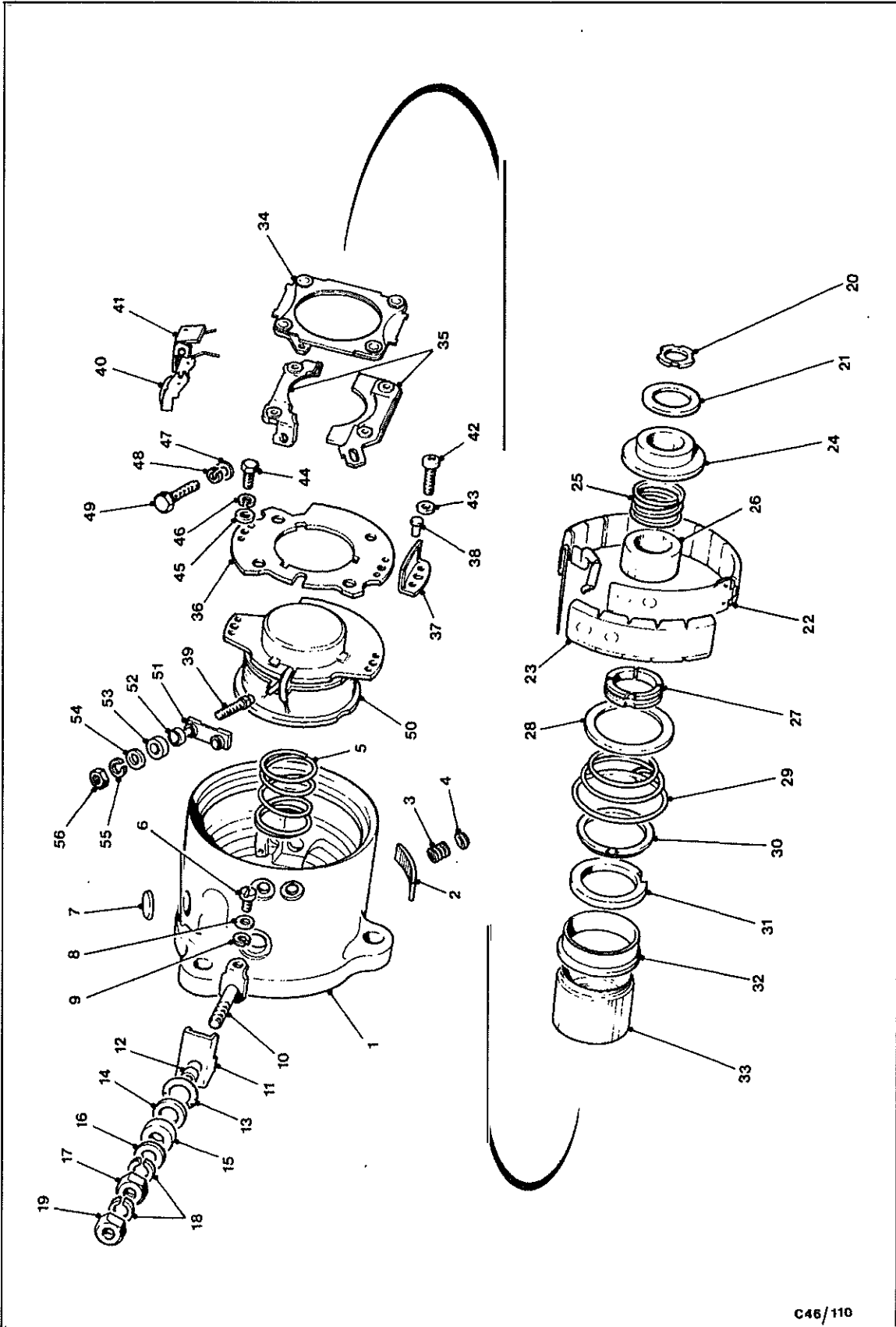
C46 / 109

110

6.8

FIG ITEM	MAN CODE NAVY - N ARMY - A RAF - R	NATO STOCK NUMBER	ITEM NAME AND DESCRIPTION	PART NO./ DRAWING NO.	NO. OFF	ANNOTATIONS
Fig 25			ENGINE - contd .STARTER, ENGINE, ELECTRICAL - contd ..KIT, ARMATURE - contd			
44	A	6MT4	3120-99-838-5515 ...WASHER, THRUST, steel, 18 mm 1d x 32 mm od x 1.2 mm thk	6265-397	1	
46	A	6MT4	3120-99-838-5516 ...WASHER, THRUST: pinion shaft starter	5936-322	1	
47	A	6MT4	2920-99-829-9358 ...SHAFT, ARMATURE	6265-431	1	
48		NP	.. BEARING, BUSH	6265-138	1	
50	A	6MT7	3110-99-950-0582 ..BALL, BEARING, steel, 5 mm dia			
51	A	6MT4	2920-99-765-9363 ..PINION ASSEMBLY	6265-547	1	
52	A	6MT4	5360-99-838-5518 ..SPRING, HELICAL, COMPRESSION: pinion rebound	6265-446	1	
53	A	6MT4	5310-99-881-8606 ..WASHER, THRUST	5936-264	1	
54	A	6MT4	2920-99-838-5519 ..NUT, PINION STOP, STARTER; hex flange and female thd	6265-439	1	
NI	A	6MT4	2920-99-829-9363 .PARTS KIT, STARTER MOTOR	6265-474	1	kit
NI	A	6MT4	5365-99-829-9361 .SHIM SET	6265-472	1	kit
NI	A	6MT4	2920-99-829-9365 .PARTS KIT, RATCHET	6265-476	1	set
NI	A	6MT4	2920-99-838-5523 .PARTS KIT, ELECTRICAL ENGINE STARTER: comprises 2 bushes	6265-470	1	kit

93



Chap 2-1

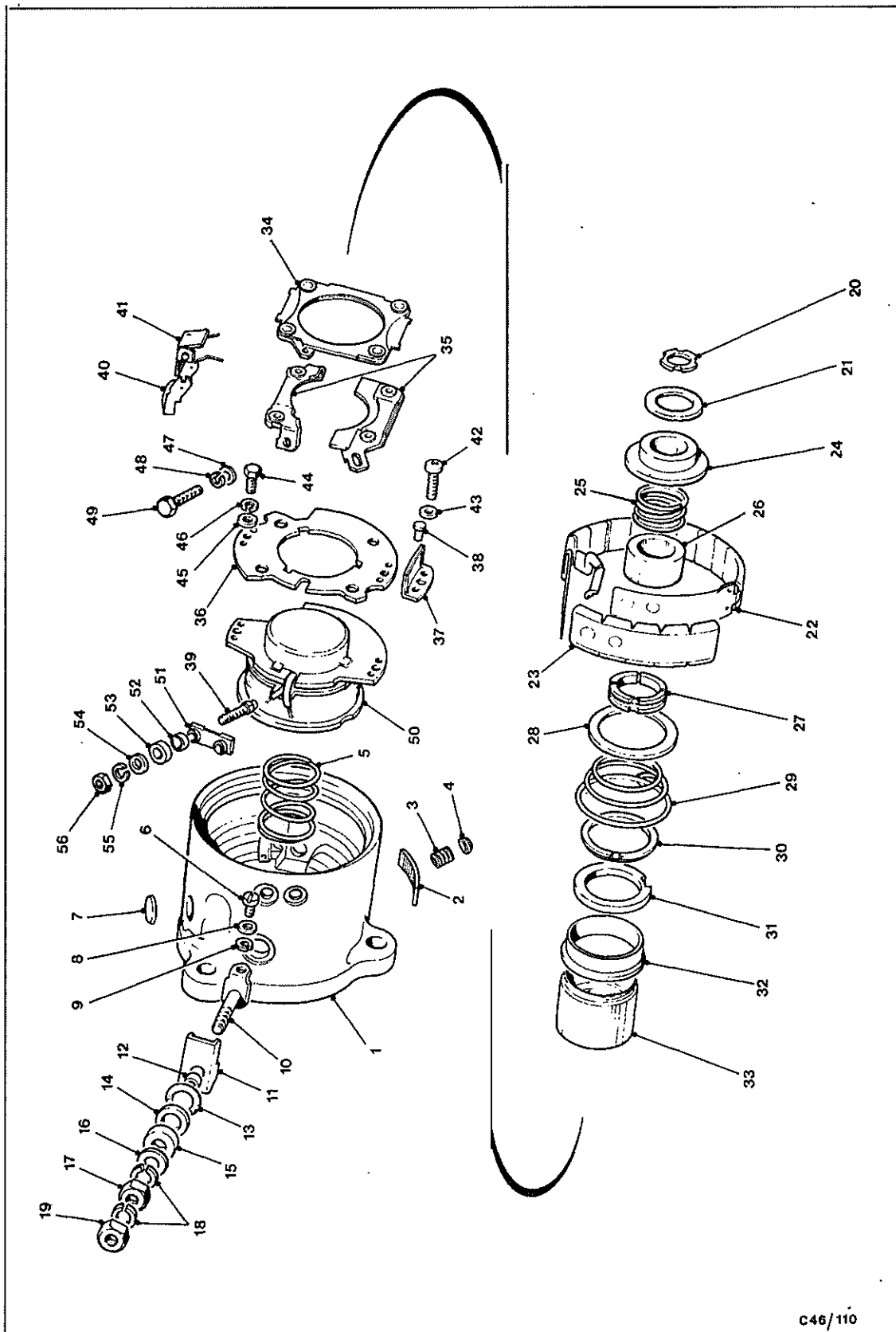
Fig 26 Start r m tor sol n ld

C46/110

914

FIG ITEM	MAN CODE NAVY - N ARMY - A RAF - R	NATO STOCK NUMBER	ITEM NAME AND DESCRIPTION	PART NO./ DRAWING NO.	NO. OFF	ANNOTATIONS
Fig 26			ENGINE -- contd			
1		NP	.STARTER, ENGINE, ELECTRICAL - contd			
2	A	6MT4	...SOLENOID, STARTER MOTOR -	6265-269A	1	
3	A	6MT4	...ENDSHIELD	6265-365	1	
5	A	6MT4	...PAD, LUBRICATION			
6	A	6MT4	...SPRING, HELICAL, COMPRESSION: lubrication pad, starter	6265-141	1	
			...SPRING, HELICAL, COMPRESSION	6265-120	1	
8	A	6MT12	...SCREW, MACHINE, ISO metric, steel, flat fillister hd, slot drive, 5 mm - 0.8 mm pitch x 10 mm lg	NS209-6TB	1	
9	A	G1	...WASHER, FIAT	NW2-25Y1	1	
10	A	6MT4	...WASHER, LOCK, steel, split helical ring, 3/16 in. id		1	
11	A	6MT4	...TERMINAL, POST: thd type, starter	6265-491	1	
12		NP	...INSULATOR, PLATE: starter terminal	6265-384	1	
14	A	6MT4	...RING, SEALING		1	
15	A	6MT4	...WASHER, FIAT: starter terminal	5936-327	1	
16	A	G1	...SPACER, SLEEVE: insulating, starter terminal	6265-385	1	
17	A	6MT4	...WASHER, FIAT, steel, 10 mm id x 21 mm od x 2 mm thk	5936-356	1	
18	A	6MT4	...NUT, PLAIN, HEXAGON, ISO metric, steel, 10 mm	NU11-7TB	2	
20		NP	...WASHER, LOCK, steel, 13/32 in. id x 5/8 in. od x 3/16 in. thk	5001-26	2	
21		NP	...CIRCLIP, EXTERNAL	NW2-13	1	
22	A	6MT4	...WASHER	6265-558	1	
23	A	6MT4	...RESISTOR, STARTER; c/w terminals	6265-464	1	
25		NP	...INSULATOR, PLATE	6265-409A	1	
26		NP	...SPRING, HELICAL, COMPRESSION	6265-122	1	
27-50	A	6MT4	...COLLAR	6265-121	1	
27	A	6MT4	...SWITCH ASSEMBLY, SOLENOID	6265-274	1	
28-34	A	6MT4PARTS KIT, ELECTRICAL ENGINE STARTER; comprises 4 segments and garter spring	6010-58	1	
29	A	6MT9PLUNGER AND CONTACT ASSEMBLY	6265-545	1	
30	A	6MT1RING, HELICAL, COMPRESSION	6255-55	1	
31		NPRING, RETAINING, steel, int, double coil type, 48 mm free od		1	
35, 36	A	6MT4RING, RETAINING	6265-438	1	
37		NPCONTACT ASSEMBLY, ELECTRICAL	6265-496	1	
38		NPSTOP	6265-377	1	
40, 41	A	6MT4RIVET	5336-333	4	
42	A	G1SPRING AND TRIGGER ASSEMBLY	6265-366	1	
43	A	G1SCREW, MACHINE, ISO metric, steel, pan hd, slot drive, 5 mm - 0.8 mm pitch x 25 mm lg		1	
44	A	G1WASHER, LOCK, steel, split helical ring, 3/16 in. id		2	
45	A	6MT12SCREW, MACHINE, UNC, steel, hex hd, No.10 x 1/2 in. lg		2	
46	A	G1WASHER, FLAT	NW2-25Y1	2	
47	A	X3WASHER, LOCK, steel, split helical ring, 3/16 in. id		2	
48	A	6MT4WASHER, FIAT, steel, 0.201 in. id x 0.476 in. od x 0.056 in. thk	NW2-28T8	1	
		BUSHING, SLEEVE; drive end starter	6265-138	1	

95



016

C46/110

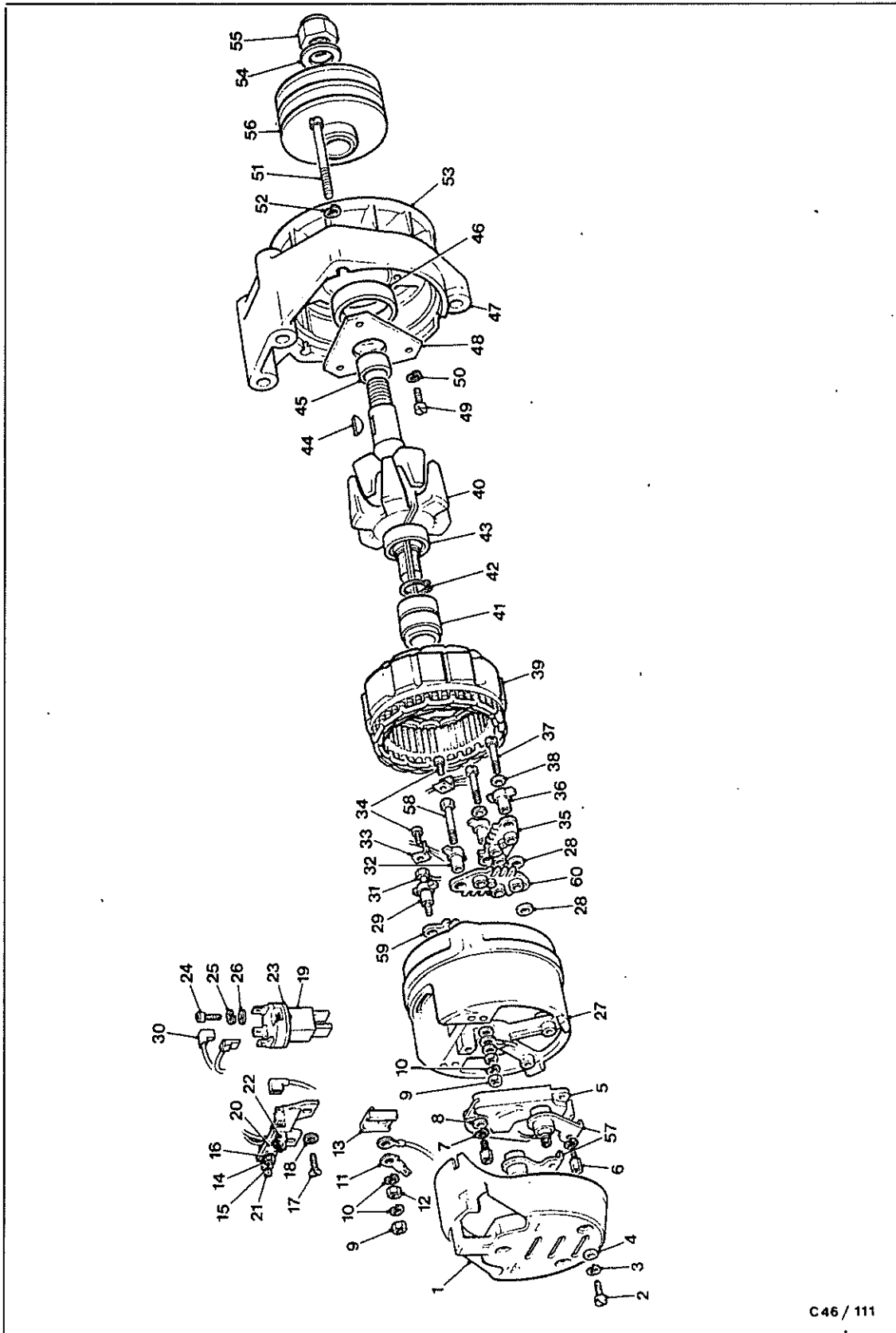
Chap 2-1

Fig26 Starter motor solenoid

FIG ITEM	MAN CODE NAVY - N ARMY - A RAF - R	NATO STOCK NUMBER	ITEM NAME AND DESCRIPTION	PART NO./ DRAWING NO.	NO. OFF	ANNOTATIONS
Fig 26			ENGINE - contd .STARTER, ENGINE, ELECTRICAL - contd ..SOLENOID, STARTER MOTOR - contd ...CIRCLIP, EXTERNAL - contdSCREW, MACHINE, UNC, steel, hex hd, No.10 x 1/2 in. lgSEALING RING			
49	A G1	5305-99-138-0353			1	
50		NP			1	
NI	A 6MT4	2920-99-829-9362	...PARTS KIT, SOLENOID	6265-473	1	kit
NI	A 6MT4	2920-99-838-5522	...PARTS KIT, ELECTRICAL ENGINE STARTER; solenoid terminals, comprises 7 items	6265-473A	1	kit

97

115



Chap 2-1

Fig 27 Alternator

C46 / 111

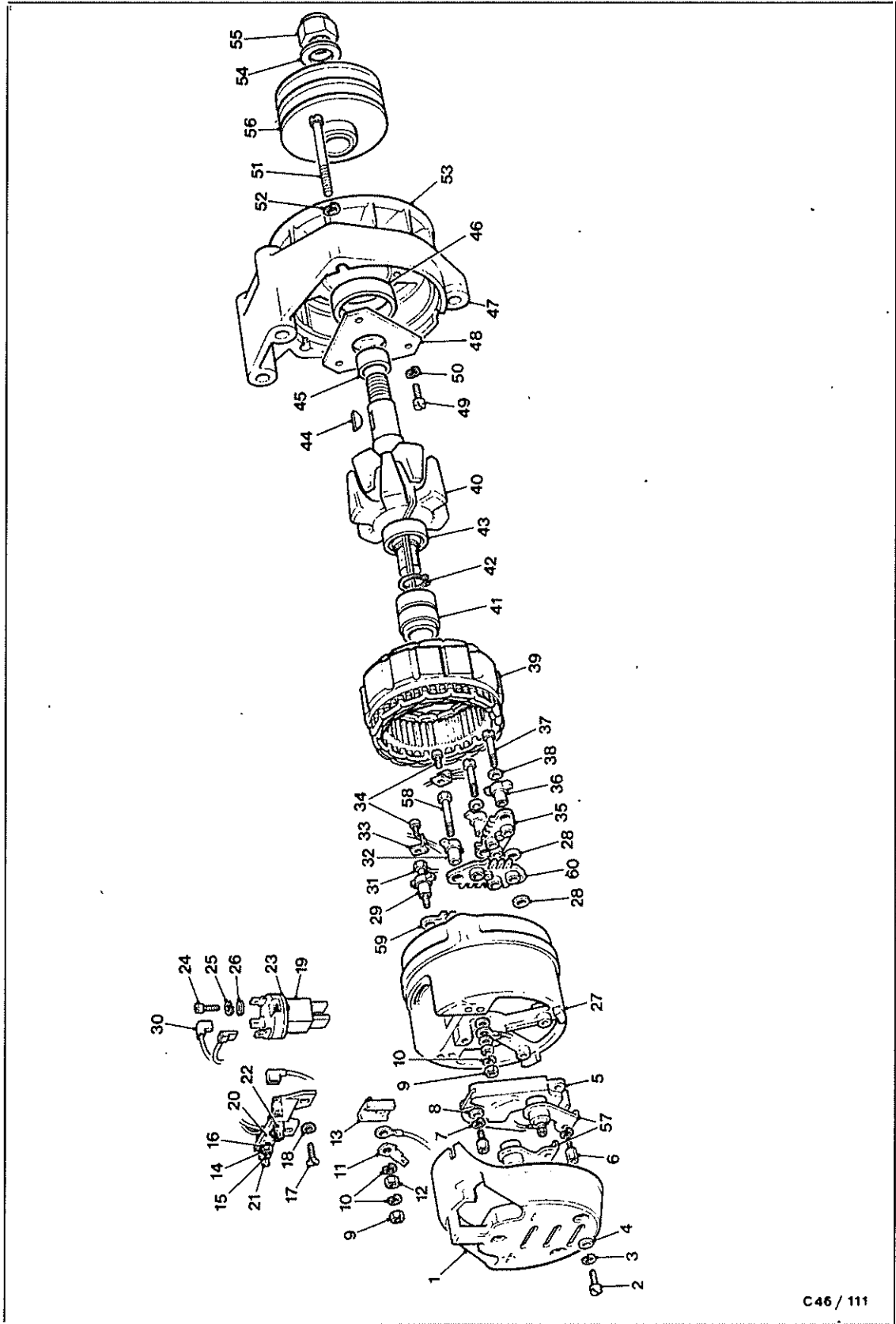
98

100

FIG ITEM	MAN CODE NAVY - N ARMY - A RAF - R	NATO STOCK NUMBER	ITEM NAME AND DESCRIPTION	PART NO./ DRAWING NO.	NO. OFF	ANNOTATIONS
Fig 27						
1-60	A	6MT4	2920-99-838-3540	ENGINE - contd ..GENERATOR, ENGINE ACCESSORY, 24V, 35A, 3 mtg holes	AC5RV1266490	1
1	A	6MT4	2920-99-838-3541	..COVER, ACCESS, ELECTRICAL CHASSIS, moulded nylon, 3 mtg holes	6220-592	1
2	A	6MT4	5305-99-803-6666	..SCREW, MACHINE, BA, steel, flat fillister hd, slot drive, No.2 x 5/8 in. lg	NS37-15Z1	3
3	A	G1	5310-99-941-6653	..WASHER, LOCK, steel, split helical ring, 3/16 in. id		3
4	A	6MT4	5310-99-136-7577	..WASHER, FIAT, steel, 3/16 in. id x 3/8 in. od x 3/64 in. thk	NW1-10T1 6317-31D	3 1
5	A	6MT4	6110-99-838-3542	..REGULATOR, VOLTAGE	6220-471	3
6	A	6MT4	2920-99-829-9201	..PILLAR, REGULATOR		
7	A	X3	5310-99-202-8413	..WASHER, LOCK, steel, split helical ring, 1/4 in. id	5293-57	3
8	A	6MT4	5310-99-136-3234	..WASHER, FIAT, steel, 1/4 in. id x 1/2 in. od x 1/16 in. thk	NW1-15Z1	3
9	A	G1	5310-99-941-3188	..NUT, PLAIN, HEXAGON, UNF, brass, 1/4 in.		4
10	A	G1	5310-99-941-6694	..WASHER, LOCK, phosphor bronze, split helical ring, 1/4 in. id		4
11	A	6MT4	5940-99-838-3543	..TERMINAL, QUICK DISCONNECT: int	6220-478	2
12	A	G1	5310-99-941-3188	..NUT, PLAIN, HEXAGON, UNF, brass, 1/4 in.		2
NI	A	G1	5310-99-135-0756	..NUT, PLAIN, HEXAGON, ISO metric, steel, 5 mm - 0.8 mm pitch		2
13		NP		..INSULATOR	6220-512	1
14	A	G1	5310-99-977-9963	..NUT, PLAIN, HEXAGON, ISO metric, steel, 4 mm - 0.7 mm pitch		6
15	A	6MT4	5307-99-838-3544	..STUD, SHOULDERED, steel, M4-0.7 thd both ends, 26 mm lg	6220-594	2
16	A	G1	5310-99-135-9291	..WASHER, LOCK, steel, split helical ring, 4 mm id		6
17	A	G1	5305-99-122-5286	..SCREW, MACHINE, ISO metric, steel, flat csk hd, slot drive, 5 mm - 0.8 mm pitch x 20 mm lg		2
18	A	G1	5310-99-941-6653	..WASHER, LOCK, steel, split helical ring, 3/16 in. id		2
NI	A	X3	6110-99-631-9299	..WASHER, PLAIN, steel, 4.2 mm id x 8 mm od	NW2-13T1	2
19	A	X3	2920-99-214-2470	..HOLDER ASSEMBLY, ELECTRICAL CONTACT BRUSH	6220-477 6220-591A	1 1
20		NP		..BLOCK, TERMINAL		
21	A	6MT4	5940-99-838-3545	..TERMINAL, QUICK DISCONNECT, int, 90 deg bend	6220-646	2
22	A	6MT4	5940-99-838-3546	..TERMINAL, QUICK DISCONNECT, int, 90 deg bend	6220-647	1
23	A	6MT4	2920-99-813-9783	..GASKET, rubber, centre hole, 31/32 in. x 5/8 in., 1-13/32 in. od x 1/32 in. thk	6220-75	1
24	A	G1	5305-99-941-8908	..SCREW, MACHINE, BA, steel, flat fillister hd, slot drive, No.2 x 5/8 in. lg		2
25	A	G1	5310-99-941-6653	..WASHER, LOCK, steel, split helical ring, 3/16 in. id		3
26	A	6MT4	5310-99-136-7577	..WASHER, FIAT, steel, 3/16 in. id x 3/8 in. od x 3/64 in. thk	NW1-10T1 6220-593F	3 1
27		NP		..END SHIELD ASSEMBLY		
NI	A	6MT4	2590-99-808-1645	..INSULATOR, DIVIDING PLATE, plastics, 10-7/16 in. lg x 2-3/8 in. w x 1/64 in. thk	6220-143	1
28	A	6MT4	5310-99-808-1646	..WASHER, FIAT, plastics, 3/8 in. id x 3/4 in. od x 3/32 in. thk	6220-141	7

919

}Alter-
natives



C46 / 111

Chap 2-1

Fig 27 Alternator

100

118

FIG ITEM	MAN CODE NAVY - N ARMY - A RAF - R	NATO STOCK NUMBER	ITEM NAME AND DESCRIPTION	PART NO./ DRAWING NO.	NO. OFF	ANNOTATIONS
Fig 27			ENGINE - contd			
29		NP	.GENERATOR, ENGINE ACCESSORY - contd			
30	A 6MT4	2590-99-838-3547	..LOCATOR	6220-139	1	
			..LEAD, ELECTRICAL; terminal attached one end	6220-595A	1	
31	A Z37	5940-99-209-9433	..TERMINAL	5334-382	1	
32	A 6MT4	5940-99-829-9212	..TERMINAL	5334-373	1	
33	A 6MT4	5940-99-829-9213	..TERMINAL, LUG	5459-417	2	
34		NP	..SCREW, SELF-TAPPING, UNF, steel, fillister hd, cross drive No.4 x 5/16 in. lg	Z5332-47	2	
35	A 6MT4	5960-99-829-0566	..HEAT SINK, ELECTRICAL-ELECTRONIC COMPONENT	6010-107	3	
36		NP	..LOCATOR	6220-448	1	
37	A 6MT4	2920-99-631-9516	..SCREW: fixing heat sink	5337-64	2	
NI	A 6MT4	5310-99-136-4733	..WASHER, FIAT, steel, 1/4 in. id. x 7/16 in. od x 3/64 in. thk	NW1-14T1	2	
38	A X3	5310-99-202-8413	..WASHER, LOCK, steel, split helical ring, 3/8 in. id	5293-57	2	
39	A 6MT4	2920-99-838-3548	..STATOR, ENGINE GENERATOR	6332A1274	1	
40		NP	..ROTOR ASSEMBLY	6220-321J	1	
41	A 6MT4	2920-99-808-1756	..RING ASSEMBLY, ELECTRICAL CONTACT, 9/16 in. id x 1-1/8 in. o/a lg, twin rings	6220-104	1	
42	A 6MT1	5365-99-910-8238	..RING, RETAINING, steel, circlip, ext, for 15 mm shaft dia		1	
43	A 6MT7	3110-99-950-2072	..BEARING, BALL, JOURNAL, single row, 15 mm id x 35 mm od x 11 mm w; c/w 2 seals		1	
NI		NP	..SPACER	6220-496	1	
44	A 6MT1	5315-99-943-5956	..KEY, WOODRUFF, steel, 5/32 in. thk x 5/16 in. h		1	
45		NP	..SPACER	6220-307A	1	
46	A 6MT7	3110-99-914-4250	..BEARING, BALL, JOURNAL		1	
47		NP	..ENDSHIELD, DRIVE END	6220-209G	1	
48		NP	..PLATE, CLAMP	6220-242	1	
49	A 6MT4	5305-99-803-6665	..SCREW, MACHINE, BA, steel, flat fillister hd, slot drive, No.2 x 1/2 in. lg	NS37-14Z1	3	
50	A G1	5310-99-941-6653	..WASHER, LOCK, steel, split helical ring, 3/16 in. id		3	
51	A 6MT4	5305-99-808-1763	..SCREW, EXTERNALLY RELIEVED BODY, UNC, steel, flat chamfer hd, 1/4 in. x 2-11/16 in. lg	5335-807	3	
52	A X3	5310-99-202-8413	..WASHER, LOCK, steel, split helical ring, 1/4 in. id	5293-57	3	
53	A 6MT4	6150-99-828-3927	..FAN, ALTERNATOR, nylon, 14 blades	6220-498	1	
54	A 6MT4	5310-99-136-7576	..WASHER, FIAT, steel, 21/32 in. id x 1-1/16 in. od x 1/16 in. thk	NW1-39Z1	1	
55	A G1	5310-99-941-9127	..NUT, SELF-LOCKING, HEXAGON, UNF, steel, 5/8 in., w/nylon insert		1	
NI	A 6MT4	2920-99-808-1767	..SEAL AND GASKET SET; comprises 3 items	6010-17B	1 set	

101

11-1

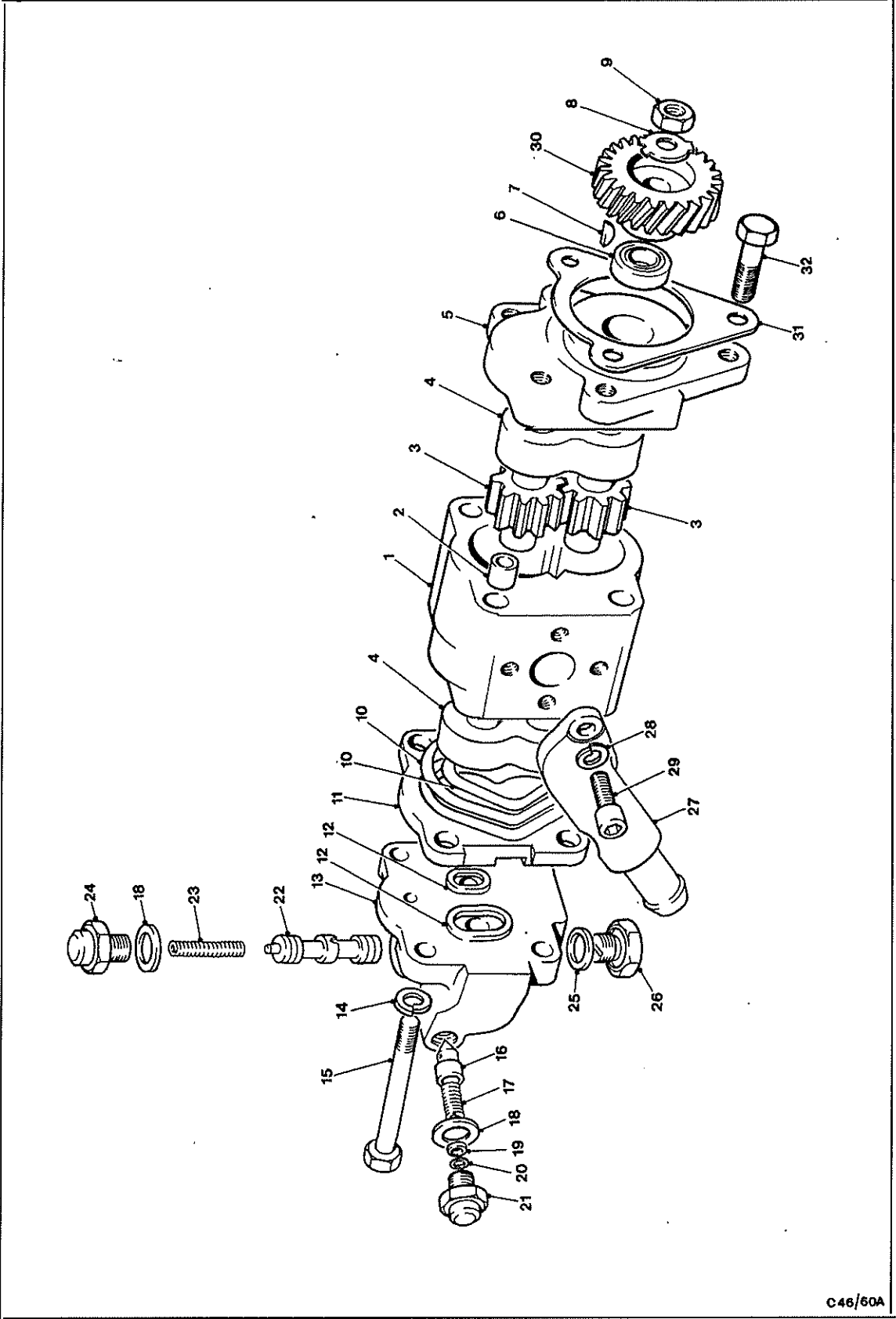


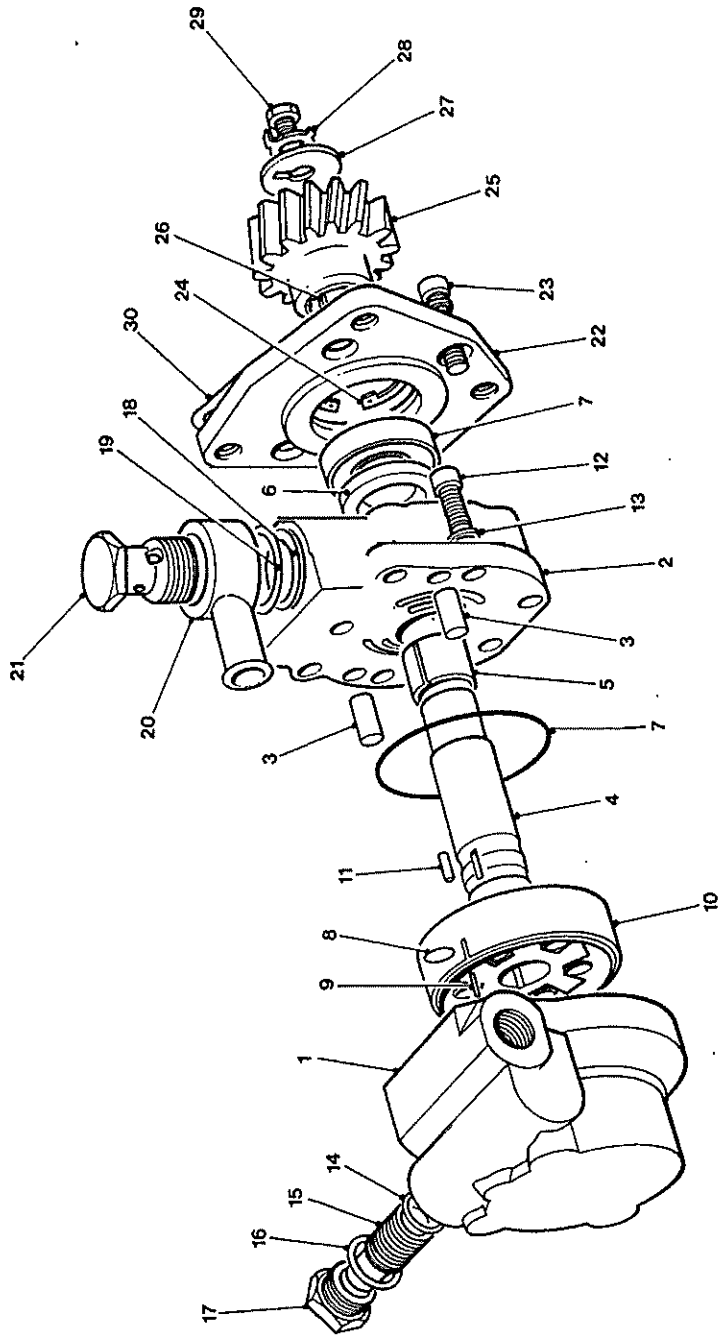
Fig 28 Power steering pump

109

120

FIG ITEM	MAN CODE NAVY - N ARMY - A RAF - R	NATO STOCK NUMBER	ITEM NAME AND DESCRIPTION	PART NO./ DRAWING NO.	NO. OFF	ANNOTATIONS
Fig 28						
1-30	A	6MT9	4320-99-838-4849	ENGINE - contd .PUMP, ROTARY, POWER DRIVEN: power steering pump: c/w driving gear	91011985	1 Plessey
1			NP	..PUMP BODY		
2	A	6MT9	5315-99-817-2445	..PIN, HOLLOW, aluminium, 13/32 in. id x 1/2 in.od x 31/64 in.lg	550-2-13606	1
3	A	6MT9	1440-99-527-2723	..GEAR PACK ASSEMBLY; comprises drive gear, driven gear, key, lock washer and nut	550-4-02206	2
4	A	6MT9	4320-99-201-8942	..BEARING ASSEMBLY, SLEEVE	550-1-02737	1
5			NP	..FLANGE	550-1-05480	2
7	A	6MT1	5310-99-806-9256	..KEY, WOODRUFF, steel, 1/8 in.w, 5/8 in.circle dia	550-2-11748	1
8	A	6MT9	5310-99-137-2397	..WASHER, KEY, steel, 2 ext keys, 29/64 in.id		1
9	A	G1	5310-99-136-1528	..NUT, PLAIN, HEXAGON, UNF, steel, 7/16 in.	550-4-01024	1
11			NP	..PLATE, SANDWICH	9961767	1
13	A	6MT9	4320-99-832-5163	..COVER, PUMP	550-1-16744-013	1
14	A	G1	5310-99-941-6656	..WASHER, LOCK, steel, split helical ring, 3/8 in.id		4
15	A	6MT9	5306-99-137-0586	..BOLT, MACHINE, UNC, steel, hex hd, 3/8 in. x 3-57/64 in.lg	550-4-09408	4
16	A	6MT9	4820-99-822-6133	..VALVE HEAD, steel, 3/8 in.dia hd, cone seat	550-2-06800	1
17	A	6MT9	5360-99-822-6139	..SPRING, HELICAL, COMPRESSION, steel, 18 active coils, 9/32 in.od x 1-1/4 in.free lg	550-4-07236	1
19	A	6MT9	5340-99-822-6131	..DISC, SOLID, PLAIN, steel, 0.260 in.dia x 0.086 in.thk	550-2-06498	1
20	A	6MT9	5340-99-822-6134	..DISC, SOLID, PLAIN, steel, 0.260 in.dia x 0.0068 in.thk	550-2-06802	1
21	A	6MT9	5365-99-822-6141	..PLUG, SCREWED, steel, hex hd, 7/16 in. UNF	550-2-09775	1
23	A	6MT9	5360-99-822-6138	..SPRING, HELICAL, COMPRESSION, steel, 19 active coils, 5/16 in. od x 1-3/4 in. free lg	550-4-06794	1
24	A	6MT9	4320-99-822-6137	..CAP, VALVE, aluminium, hex hd, 5/8 in. UNC	550-2-11567	1
26			NP	..CAP, VALVE	9961768	1
27	A	6MT9	4730-99-830-6617	..ADAPTOR, ELBOW, PIPE TO HOSE, flared male fittings, both ends	550-2-17435	1
28	A	G1	5310-99-120-2304	..WASHER, LOCK, steel, split helical ring, 3/8 in.id		AR
29	A	G1	5305-99-970-6383	..SCREW, SOCKET HEAD, UNC, steel, flat fillister hd, 5/16 in. x 3/4 in.lg		2
30	A	7BD	3020-99-830-9580	..GEAR, HELICAL, steel, 18 teeth	8855321	1
31	A	7BD	5330-99-819-1663	..GASKET, asbestos/rubber, 3-1/2 in.lg x 4-1/4 in.w x 1/32 in.thk	7166143	1
32	A	G1	5306-99-941-1544	..BOLT, MACHINE, UNC, steel, hex hd, 5/16 in. x 3 in.lg		3
NI	A	6MT9	4730-99-830-6618	..FERRULE, brass for 3/8 in.od pipe, 3/8 in.lg, 42 deg seat	550-2-06856	2
NI	A	6MT9	4320-99-825-5082	..PARTS KIT, STEERING PUMP	550-1-17338	1 Kit

169



C48/81

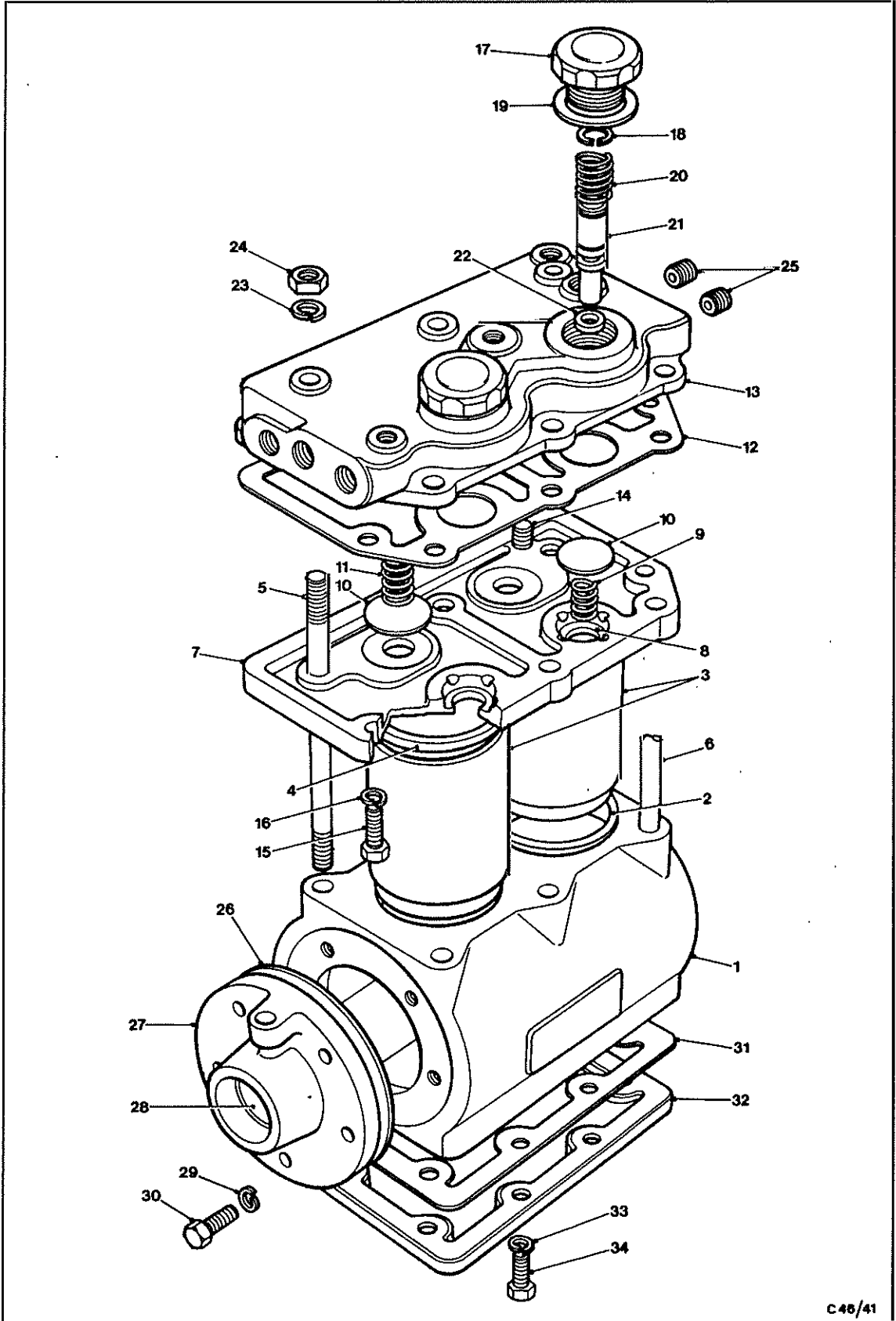
Chap 2-1

Fig 29 Power steering pump

104

FIG ITEM	MAN CODE NAVY - N ARMY - A RAF - R	NATO STOCK NUMBER	ITEM NAME AND DESCRIPTION	PART NO./ DRAWING NO.	NO. OFF	ANNOTATIONS
Fig 29						
1-30	A	6MT9	4320-99-832-5165	ENGINE - contd ..PUMP, ROTARY, POWER DRIVEN; c/w adaptor plate assy; power steering pump	HE3605- 10028-48	1 Hobourne- Eaton
1		NP	..COVER ASSEMBLY	HE3529-8	1	
2		NP	..BODY ASSEMBLY	HE6890-28	1	
3		NP	..PIN, STRAIGHT, HEADLESS	6391090	2	
4	A	6MT9	4320-99-832-5167	..SHAFT ASSEMBLY; c/w bearing	HE3616	1
5	A	6MT1	3120-99-101-4139	..BEARING, SLEEVE, PTFE on steel, 3/4 in. id x 7/8 in. od x 3/4 in. lg	12DU12	2
6	A	6MT1	5330-99-819-5396	..SEAL, ENCASED, rubber/steel, 3/4 in. id x 1-1/4 in. od x 5/16 in. w	HE10720	1
9	A	8REMI	5315-99-801-8408	..PIN, STRAIGHT, HEADLESS, steel, 1/8 in. dia x 1/4 in. lg	HE2845	1
10	A	X3	2815-99-205-8459	..VANE ASSEMBLY; comprises roller vane, cam insert, carrier	HE5322-36	1
11		NP	..KEY; pump shaft	7143540	1	
12	A	G1	5305-99-941-9997	..SCREW, SOCKET HEAD		6
13	A	G1	5310-99-941-6654	..WASHER, LOCK, steel, split helical ring, 1/4 in. id		6
20	A	6MT9	4320-99-838-8170	..BODY, ADAPTOR, aluminium alloy, 11/16 in. core dia, 7/16 in. bore dia, 2-1/4 in. o/a lg	HE3101	1
21	A	6MT9	4730-99-838-8171	..BOLT, FLUID PASSAGE, steel, 13/16 in. UNF x 1-35/64 in. o/a lg	HE3069	1
22		NP	..PLATE, END	HE12682	1	
23	A	G1	5305-99-941-8192	..SCREW, SOCKET HEAD, UNF, steel, flat fillister hd, 1/4 in. x 5/8 in. lg		4
24	A	6MT1	5365-99-910-8329	..RING, RETAINING, int, for 40 mm dia bore		1
25		NP	..GEAR, PUMP	7166144	1	
26		NP	..KEY, PARALLEL	7133781	1	
27		NP	..WASHER, PLAIN	7135176	1	
28		NP	..WASHER, TAB	7135177	1	
29		NP	..BOLT, MACHINE	122007	1	
30		NP	..GASKET	7166143	1	
NI	A	6MT9	4730-99-838-8172	..ADAPTOR, STRAIGHT, PIPE, steel, 1/2 in. BSP male to 3/4 in. UNF male, 1-5/16 in. o/a lg	HE12234	1
NI	A	8REMI	5330-99-820-7474	..GASKET	HE1322	1
NI	A	6MT9	4730-99-838-8173	..BEND, PIPE, steel, 130 deg bend, 1/4 in. bore x 7 in. o/a lg, female fittings both ends	HE12544	1
NI	A	8REMI	2530-99-820-7525	..PIN, STRAIGHT, HEADLESS	HE1193	1
NI	A	6MT9	4320-99-832-5166	..PARTS KIT, STEERING PUMP; comprises 8 seals	HE5321-59	1 kit

501



C48/41

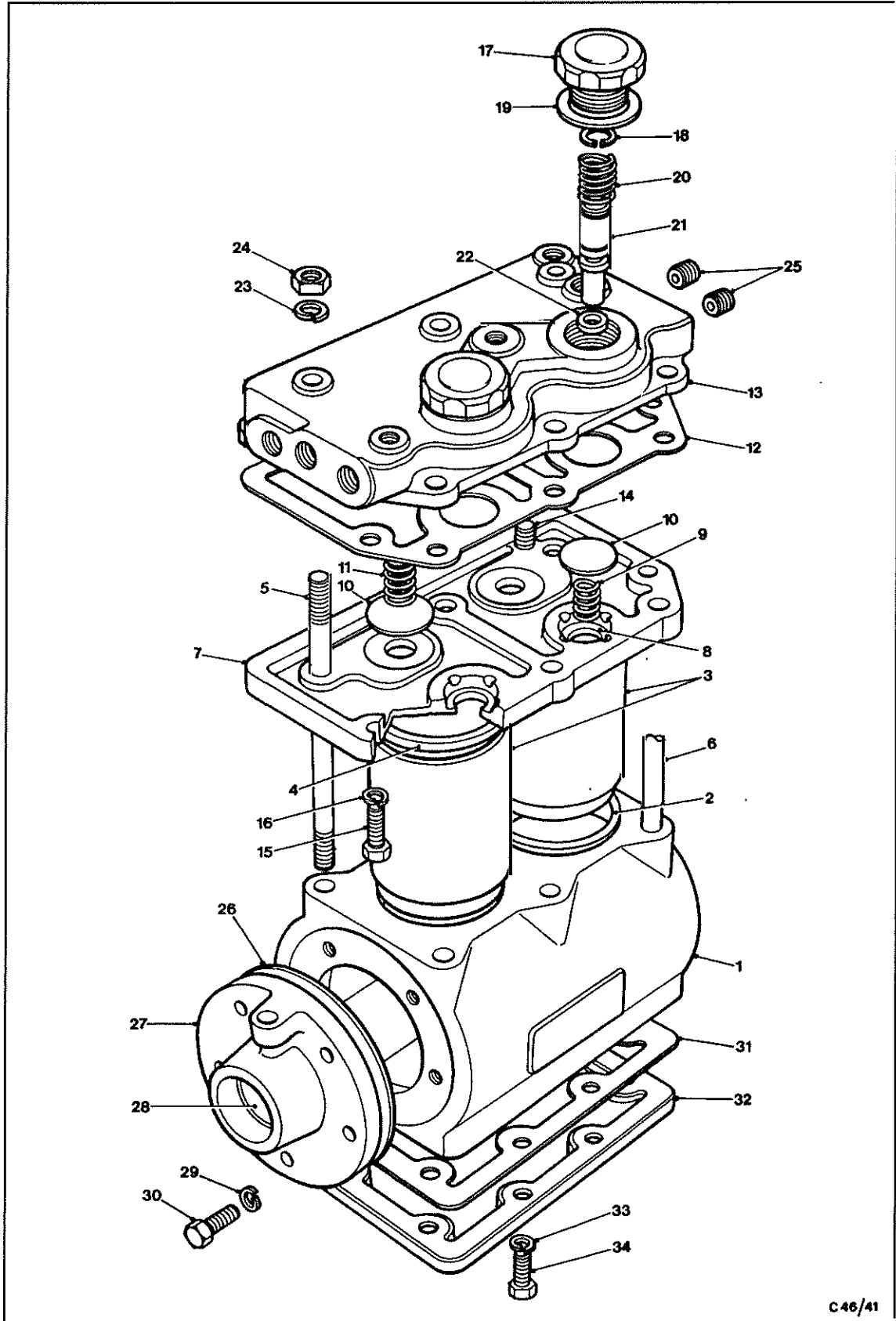
Fig 30 Compressor crankcas and cylind r head

FIG ITEM	MAN CODE NAVY - N ARMY - A RAF - R	NATO STOCK NUMBER	ITEM NAME AND DESCRIPTION	PART NO./ DRAWING NO.	NO. OFF	ANNOTATIONS
Fig 30			ENGINE - contd			
1-34	A	6MT9	4310-99-838-4923 ..COMPRESSOR, RECIPROCATING, DIRECT ACTION, twin cylinder	PCGA 980	1	
2	A	6MT1	5330-99-115-2667 ..RING, SEALING, TOROIDAL, rubber, 2-7/8 in. id, 1/16 in. h		2	
3	A	6MT9	2530-99-805-5558 ..LINER, CYLINDER, CI, 2-17/64 in. id, 3-1/8 in. od, 4-3/16 in. lg	P184	2	
4	A	6MT9	4310-99-207-3238 ..JOINT, LINER, CYLINDER HEAD, laminated, 2-672 in. id, 3.166 in. od, 0.162 in. thk	P5136	2	
5	A	6MT9	5307-99-137-0747 ..STUD, PLAIN, UNC/UNF, zinc coated, 3/8 in. x 6-11/16 in. o/a lg	SF675/74	3	
6	A	6MT9	5307-99-813-9763 ..STUD, PLAIN, UNC/UNF, zinc coated, 3/8 in. x 5-9/16 in. o/a lg	SF675/54	3	
8-22	A	6MT9	4310-99-743-9717 ..CYLINDER HEAD, COMPRESSOR, assy	PCSA 76	1	
8	A	6MT9	2530-99-838-4909 ...SPACER, RING, steel, 0.487 in. od, 0.024 in. thk	P5507C	2	
9	A	6MT9	5360-99-813-9759 ...SPRING, HELICAL, COMPRESSION: delivery valve	SF61/919	2	
10	A	6MT9	2530-99-813-9760 ...DISC, SOLID, PLAIN, steel, 1-1/32 in. od, 3/64 in. thk	P359	4	
11	A	6MT9	2530-99-809-5766 ...SPRING, HELICAL, COMPRESSION: inlet valve	SF61/800	2	
12	A	6MT9	5330-99-828-5113 ...GASKET: cylinder hd	P6060	1	
13	A	6MT9	2530-99-838-4905 ..CYLINDER HEAD, COMPRESSOR, CI, 215 mm lg, 112 mm w, 48 mm h	P4898/1	1	
14	A	G1	5305-99-941-0714 ...SCREW, MACHINE, UNC, steel, hex hd, zinc coated, 3/8 in. x 1 in.		2	
NI	A	G1	5310-99-941-6656 ...WASHER, LOCK, steel, single coil, 3/8 in.		2	
15	A	G1	5305-99-941-0688 ...SCREW, MACHINE, UNC, steel, hex hd, 1/4 in. x 7/8 in.		2	
16	A	G1	5310-99-941-6654 ...WASHER, LOCK, steel, single coil, 1/4 in.		2	
17	A	6MT9	2530-99-838-4906 ...CAP, UNLOADER VALVE, steel, BSP, 3/4 in. dia, 1/2 in. lg, 3/4 in. o/a lg, hex wrenching feature	P5499	2	
18	A	6MT1	5365-99-838-4907 ...RING, RETAINING, steel, ext, 9/16 in. shaft size		2	
19	A	6MT9	5330-99-977-9252 ...GASKET, copper, 1-1/16 in. id, 1-3/8 in. od, 3/32 in. thk	SF240/134	2	
20	A	X3	5360-99-206-0703 ...SPRING, HELICAL, COMPRESSION, steel, 0.712 in. od, 1.2 in. lg	SF61/977	2	
21	A	6MT9	2530-99-838-4908 ...PLUNGER, UNLOADER VALVE, steel, 9/16 in. od, 2 in. o/a lg	P6785	2	
22	A	6MT1	5330-99-801-6624 ...RING, SEALING, TOROIDAL, rubber, 3/8 in. id, 3/32 in. h		2	
23	A	G1	5310-99-941-6656 ..WASHER, LOCK, single coil, sq sect, 3/8 in.		6	
24	A	G1	5310-99-941-6570 ..NUT, PLAIN, HEXAGON, UNF, zinc coated, 3/8 in.		6	
25	A	6MT9	4730-99-836-7790 ..PLUG, PIPE, NPTF, steel, zinc coated, 3/8 in.	230065	2	
26	A	6MT9	5330-99-838-4902 ..GASKET, fibre, 4-9/32 in. id, 5-5/8 in. od, 0.008 in. thk; w/ five bolt holes	P5199	1	
27, 28		NP	..COVER, end, assy	PCSA 109	1	
28	A	6MT9	3120-99-881-5192 ...BEARING, SLEEVE	P1969	1	
29	A	G1	5310-99-941-6655 ..WASHER, LOCK, steel, single coil, sq sect, 5/16 in.		5	

101

126

891



C46/41

Chap 2-1

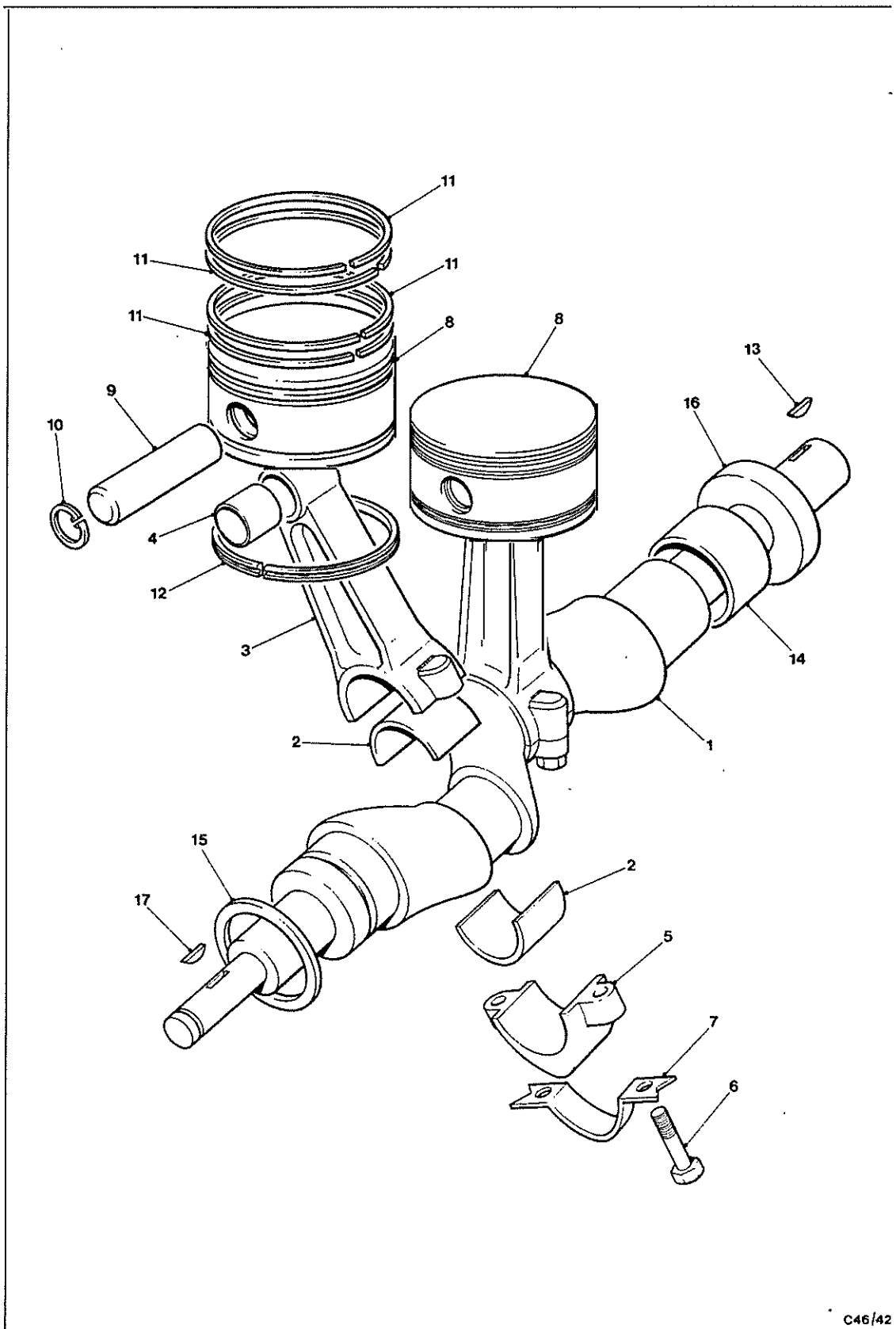
Fig 30 Compr ssor crankcas and cylind r h ad

126

FIG ITEM	MAN CODE NAVY - N ARMY - A RAF - R	NATO STOCK NUMBER	ITEM NAME AND DESCRIPTION	PART NO./ DRAWING NO.	NO. OFF	ANNOTATIONS
Fig 30						
30	A G1	5305-99-941-0699	ENGINE - contd .COMPRESSOR, RECIPROCATING, DIRECT ACTION, twin cylinder - contd ..SCREW, MACHINE, UNC, steel, hex hd, zinc coated, 5/16 in. x 7/8 in.		5	
31	A 6MT9	5330-99-805-6380	..GASKET, cork/rubber, 6-7/16 in. lg, 4-1/8 in. w, 1/32 in. thk, 8 holes - 1/32 in. dia	P5137	1	
33	A G1	5310-99-941-6654	..WASHER, LOCK, steel, single coil, sq sect, 1/4 in.		8	
34	A G1	5305-99-941-0686	..SCREW, MACHINE, UNC, steel, hex hd, zinc coated, 1/4 in. x 5/8 in.		8	
NI	A 6MT9	2530-99-838-4910	.PARTS KIT, COMPRESSOR	GA 29116	1	

169

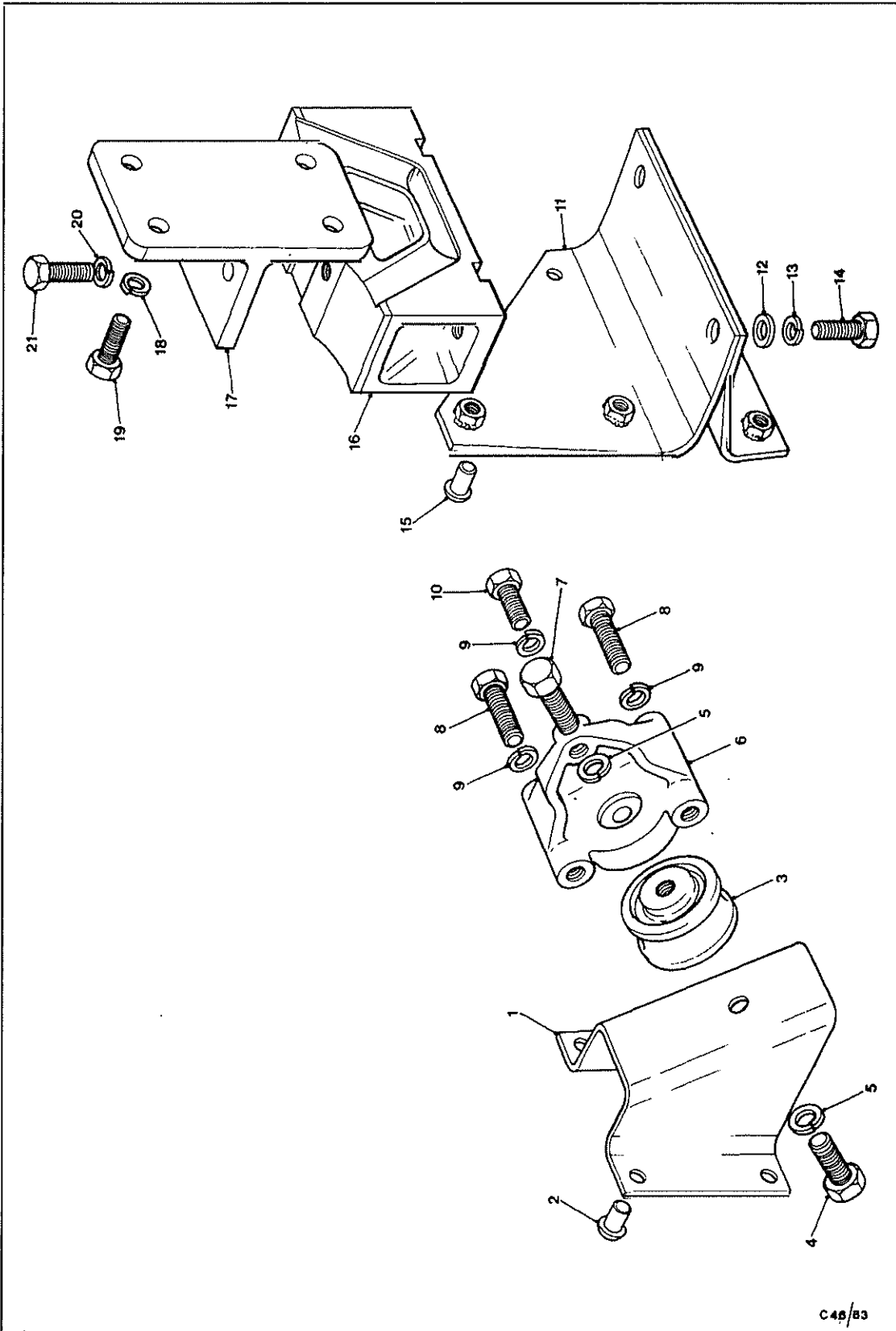
011



C46/42

Fig 31 Compressor crankshaft and pistons

FIG ITEM	MAN CODE NAVY - N ARMY - A RAF - R	NATO STOCK NUMBER	ITEM NAME AND DESCRIPTION	PART NO./ DRAWING NO.	NO. OFF	ANNOTATIONS
Fig 31			ENGINE - contd			
1	A	6MT9	2530-99-838-4903 ..COMPRESSOR, RECIPROCATING, DIRECT ACTION, twin cylinder - contd	P4430A/8	1	
2-7	A	6MT9	4310-99-829-9586 ..CRANKSHAFT			
			..CONNECTING ROD, PISTON, assy; c/w small end bush & big end shells	PCSA 302	2	
2	A	6MT9	4310-99-805-6508 ...BEARING, SLEEVE, steel/white metal lined, 1-3/8 in. id, 1-1/2 in. od, 3/4 in. o/a lg, (two halves)	P1966	2	
7	A	6MT9	2530-99-838-4904 ...LOCKING PLATE, NUT AND BOLT, steel, 1/2 in. w. 2 holes, 11/32 in. dia	P5523	2	
8-12	A	6MT9	2530-99-816-8010 ..PISTON, COMPRESSOR, aluminium, 2-5/8 in. dia, 1-3/16 in. h; c/w gudgeon pin, circlips & piston rings	APSA 2553	2	
10	A	6MT1	5365-99-910-8274 ...RING, RETAINING, steel, int, 5/8 in. bore size x 0.040 in. thk		4	
11	A	6MT9	2530-99-809-5764 ...RING, PISTON, CI, compression	P4905	8	
12	A	6MT9	2530-99-809-5762 ...RING, PISTON, CI, scraper, oil control	P3155	2	
13	A	G1	5315-99-977-9230 ..KEY, WOODRUFF, steel, 19 mm circle dia, 5 mm thk, 7.5 mm h		1	
14	A	6MT9	3120-99-813-9572 ..BEARING, SLEEVE, steel/white metal, 1-1/2 in. id, 1-21/32 in. od, 1-1/4 in. lg	P1961	1	
15	A	6MT9	3120-99-828-5111 ..WASHER, THRUST, 1.69 in. id, 2.125 in. od, 0.093 in. thk	P5821	1	
16	A	6MT1	5330-99-801-6419 ..SEAL, PLAIN, ENCASED: crankshaft		1	



C48/53

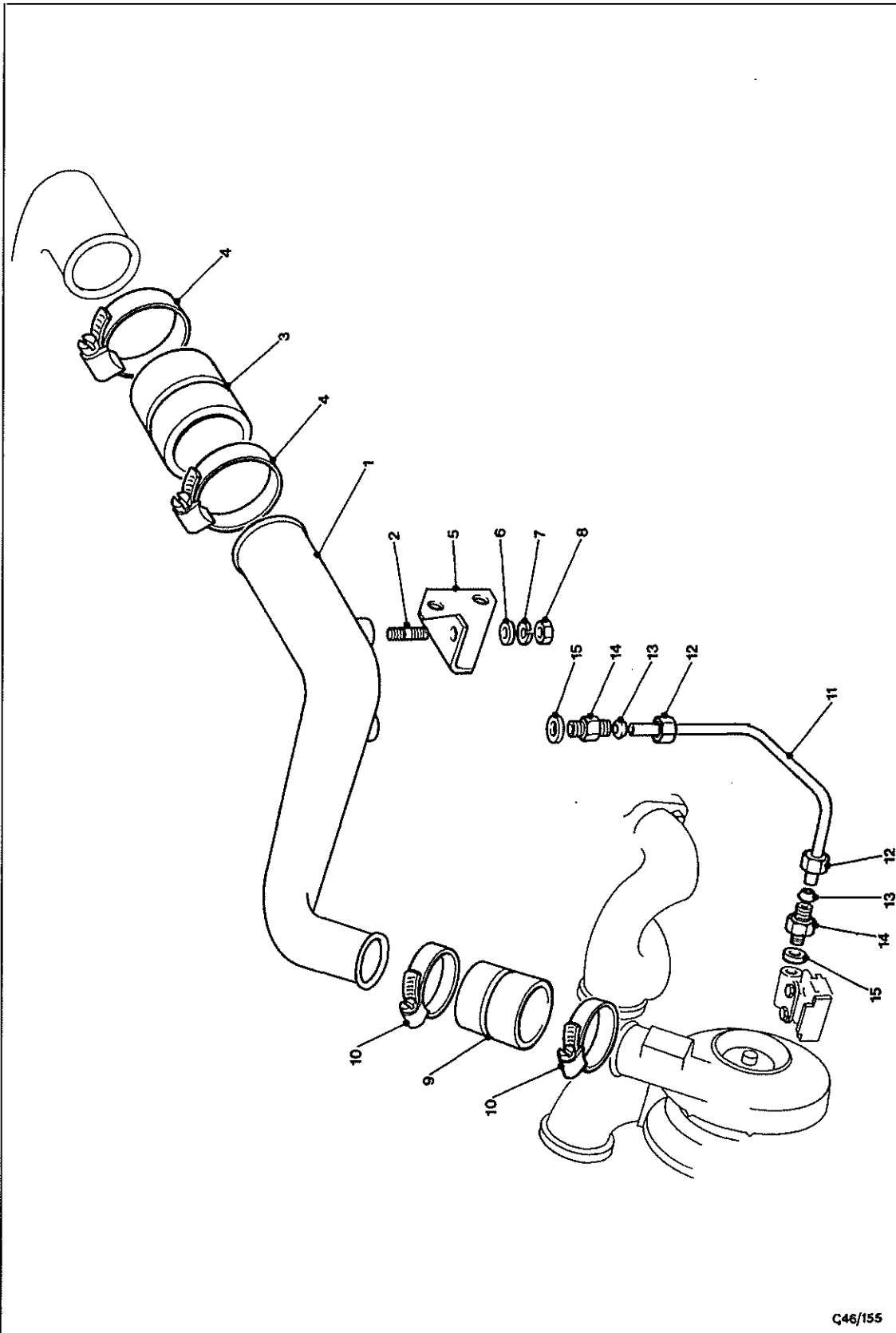
Fig 32 Engine mountings

112

FIG ITEM	MAN CODE NAVY - N ARMY - A RAF - R	NATO STOCK NUMBER	ITEM NAME AND DESCRIPTION	PART NO./ DRAWING NO.	NO. OFF	ANNOTATIONS
Fig 32						
3	A	7BD	5340-99-747-9700	ENGINE MOUNTINGS - .MOUNT, RESILIENT: front	91070028	2
16	A	7BD	5340-99-748-0318	.MOUNT, RESILIENT: rear	91015760	2

113

134



Q46/155

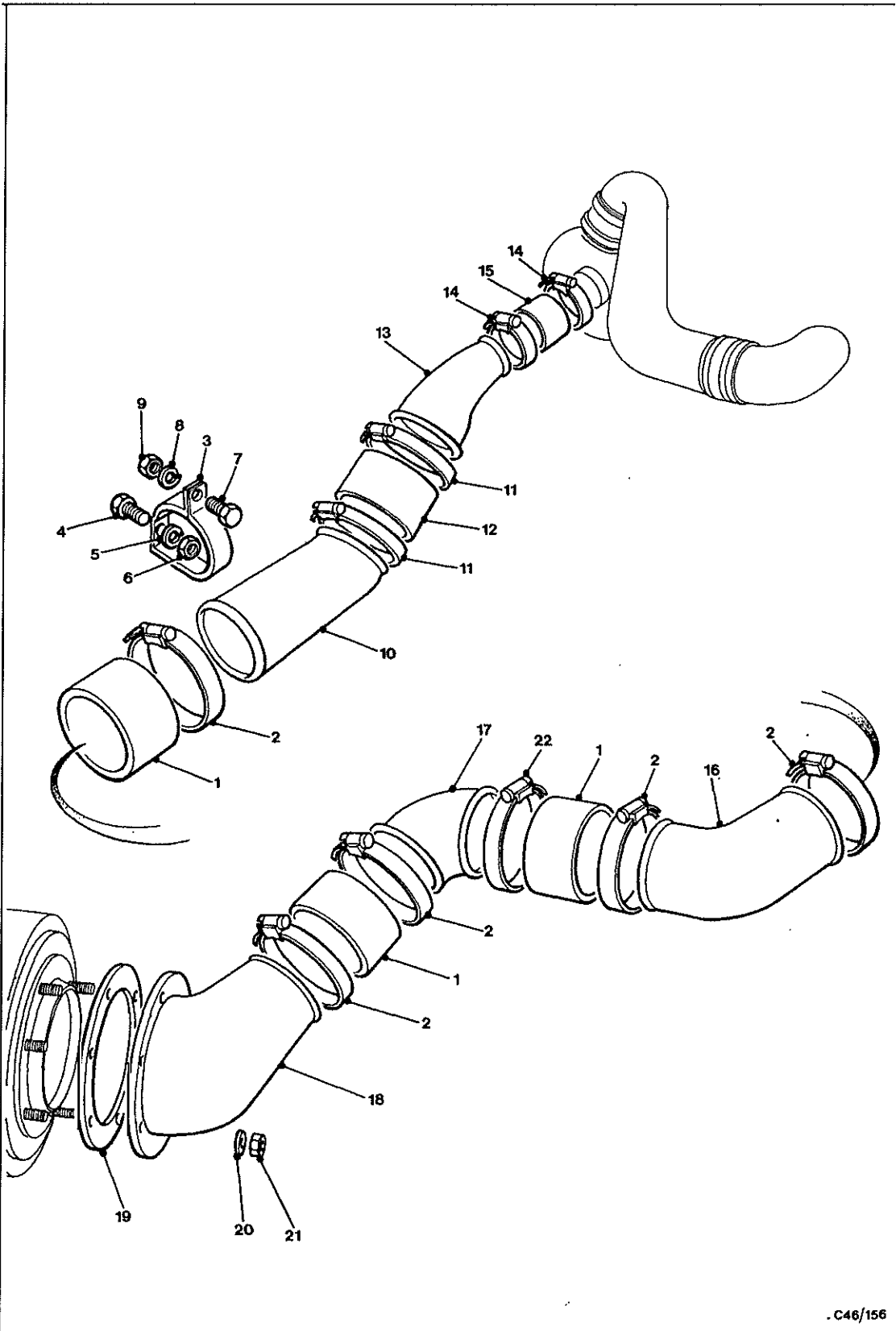
Chap 2-1

Fig 33 Boost pipe

132

FIG ITEM	MAN CODE NAVY - N ARMY - A RAF - R	NATO STOCK NUMBER	ITEM NAME AND DESCRIPTION	PART NO./ DRAWING NO.	NO. OFF	ANNOTATIONS
Fig 33						
1,2			ENGINE ANCILLARIES -			
3	A	NP 4720-99-832-7228	..BOOST PIPE - ..PIPE ASSEMBLY, AIR BOOST	91054730	1	
4	A	7BD 4730-99-533-2968	..HOSE, PREFORMED, rubber, 81 mm id x 88 mm od x 70 mm lg, int lip	91029842	1	
5	A	6MT1 4730-99-533-2968	..CLAMP, HOSE, 55 mm to 70 mm id		2	
6	A	NP 5310-99-122-3413	..BRACKET, SUPPORT	91056305	1	
7	A	G1 5310-99-135-4103	..WASHER, FLAT		1	
9	A	G1 4720-99-832-7229	..WASHER, LOCK		1	
10	A	7BD 4720-99-832-7229	..HOSE, PREFORMED, rubber, 51 mm id x 58 mm od x 64 mm lg, int lip	91000510	1	
11	A	6MT1 4730-99-533-2971	..CLAMP, HOSE, 85 mm to 100 mm id		2	
14	A	7BD 2815-99-832-7227	..PIPE ASSEMBLY, BOOST	91054730	1	
15	A	7BD 4730-99-748-0357	..UNION, PIPE, steel, 12 mm thd to 10 mm thd x 31 mm lg	91072551	2	
			..WASHER		2	
NI	A	7BD 2815-99-839-5159	..PIPE, STEEL, 19 mm od, 12 mm thk flange	91042593	1	Turbo oil drain upper (airsearch)
NI	A	7BD 2815-99-839-5160	..PIPE, STEEL, 19 mm od, 12 mm thk flange	91034302	1	Turbo oil drain upper (holset)
NI	A	G1 5305-99-122-5367	..SCREW, MACHINE, SI, metric, steel, hex hd, 8 mm x 25 mm lg		2	
NI	A	G1 5310-99-122-6475	..WASHER, FLAT, steel, 8 mm		2	

115



.C46/156

Chap 2-1

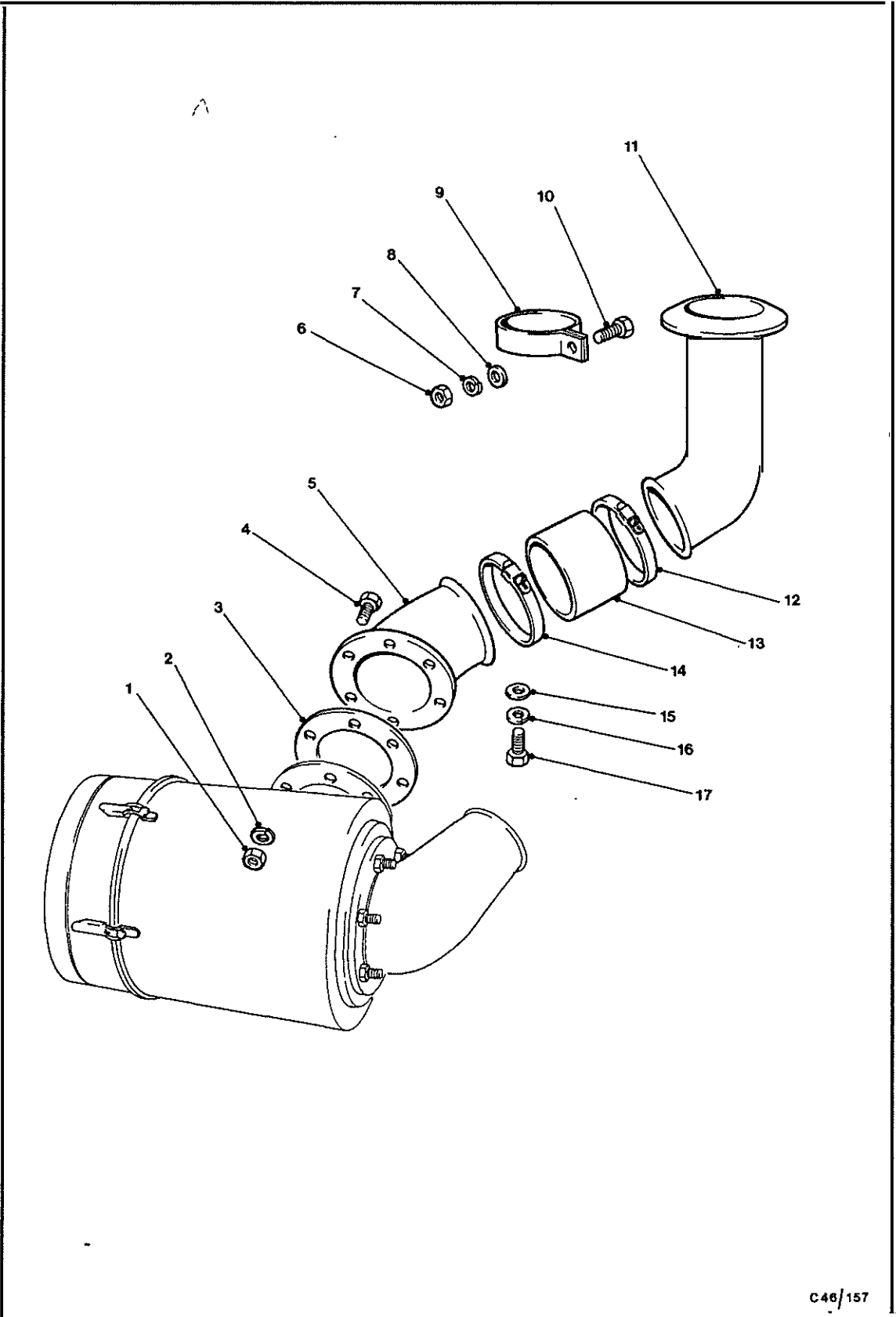
Fig 34 Air filter outlet pipe

FIG ITEM	MAN CODE NAVY - N ARMY - A RAF - R	NATO STOCK NUMBER	ITEM NAME AND DESCRIPTION	PART NO./ DRAWING NO.	NO. OFF	ANNOTATIONS
Fig 34			ENGINE ANCILLARIES - contd			
1	A 7BD	4720-99-833-3464	..AIR FILTER OUTLET PIPE -	91047368	3	
2	A 6MT1	4730-99-533-2973	..TUBING, RUBBER		6	
3	A 7BD	5340-99-833-3461	..CLAMP, HOSE, 120 mm to 140 mm id	91047369	1	
4	A G1	5305-99-122-5368	..CLIP, AIR PIPE		1)
5	A G1	5310-99-135-9293	..SCREW, MACHINE, ISO metric, steel, hex hd, 8 mm x 30 mm lg		1)
6	A G1	5310-99-122-5302	..WASHER, LOCK, steel, split helical ring, 8 mm id		1) Mtg bolt
7	A G1	5310-99-122-5363	..NUT, PLAIN, HEXAGON, ISO metric, steel, 8 mm		1)
8	A G1	5305-99-122-5363	..SCREW, MACHINE, ISO metric, steel, hex hd, 6 mm x 30 mm lg		1)
9	A G1	5310-99-203-6405	..WASHER, LOCK, steel, split helical ring, 6 mm id		1) Clamp bolt
10	A G1	5310-99-135-0768	..NUT, PLAIN, HEXAGON, ISO metric, steel, 6 mm		1)
11	A 7BD	2590-99-833-3459	..PIPE, ALUMINIUM	91047367	2	
12	A 7BD	4730-99-539-7272	..CLAMP, HOSE, 135 mm to 160 mm id		2	
13	A 7BD	4720-99-833-3460	..HOSE, PREFORMED	91047366	1	
14	A 7BD	2590-99-833-3457	..PIPE, INLET, TURBOCHARGER	91045012	1	
15	A 7BD	4730-99-533-2970	..CLAMP, HOSE, 70 mm to 90 mm id		2	
16	A 7BD	4720-99-833-3458	..HOSE, RUBBER	91004833	1	
17	A 7BD	4730-99-833-3462	..ELBOW, HOSE	91047365	1	
18	A 7BD	4730-99-833-3463	..ELBOW, HOSE	91047364	1	
19	A 7BD	2940-99-836-3328	..ELBOW, AIR CLEANER	91047361	1	
19	A 7BD	5330-99-833-3465	..GASKET, rubber, 165 mm id x 222 mm od x 1.5 mm thkt, 6 mtg holes	91010689	1	

117

135

FIG ITEM	MAN CODE NAVY - N ARMY - A RAF - R	NATO STOCK NUMBER	ITEM NAME AND DESCRIPTION	PART NO./ DRAWING NO.	NO. OFF	ANNOTATIONS
NI	A	6MT12	2940-99-748-0379	ENGINE ANCILLARIES - contd ..AIR FILTER - ..FILTER, AIR INTAKE: complete assy	CT 3509	1
NI			NP	...BODY, AIR CLEANER	PT9316/4	1
NI	A	6MT12	2940-99-748-0380	...COVER, DUST, AIR CLEANER	PT9505/3	1
NI	A	6MT12	5330-99-748-0381	...RING, SEALING, TOROIDAL, rubber, 321 mm id x 6 mm h	PT9331	1
NI	A	6MT12	2990-99-748-0382	...NUT, WING, ASSEMBLY: c/w gasket	PT9243	1
NI	A	6MT12	2940-99-748-0383	...DECAL; service instructions	PT9379/91	1
NI	A	6MT12	2590-99-833-4687	...FILTER ELEMENT, AIR INTAKE	AZA314T	1
NI	A	7BD	5340-99-748-0385	..FILTER MOUNTING - ...BAND, RETAINING, steel, 357 mm id, 2 mtg legs	91047360	2
NI	A	G1	5305-99-122-8585	...SCREW, MACHINE, ISO metric, steel, hex hd, 8 mm x 20 mm lg)AR)
NI	A	G1	5306-99-122-3370	...BOLT, MACHINE, ISO metric, steel, hex hd, 8 mm x 50 mm lg		
NI	A	G1	5310-99-122-3412	...WASHER, FLAT, steel, 8 mm id		
NI	A	G1	5310-99-135-4099	...WASHER, LOCK, steel, split helical ring, 8 mm id		
NI	A	G1	5310-99-122-3062	...NUT, PLAIN, HEXAGON		
NI	A	G1	5305-99-122-4910	...SCREW, MACHINE, ISO metric, steel, hex hd, 10 mm x 25 mm lg		
NI	A	G1	5305-99-122-8591	...SCREW, MACHINE, ISO metric, steel, hex hd, 10 mm x 30 mm lg		
NI	A	G1	5310-99-122-3413	...WASHER, FLAT, steel, 10 mm id		
NI	A	G1	5310-99-135-4103	...WASHER, LOCK, steel, split helical ring, 10 mm id		
NI	A	G1	5310-99-120-8355	...NUT, PLAIN, HEXAGON, ISO metric, steel, 10 mm		
NI	A	G1	5305-99-122-8675	...SCREW, MACHINE, ISO metric, steel, hex hd, 12 mm x 30 mm lg		
NI	A	G1	5310-99-122-6497	...NUT, PLAIN, HEXAGON, steel, 12 mm		

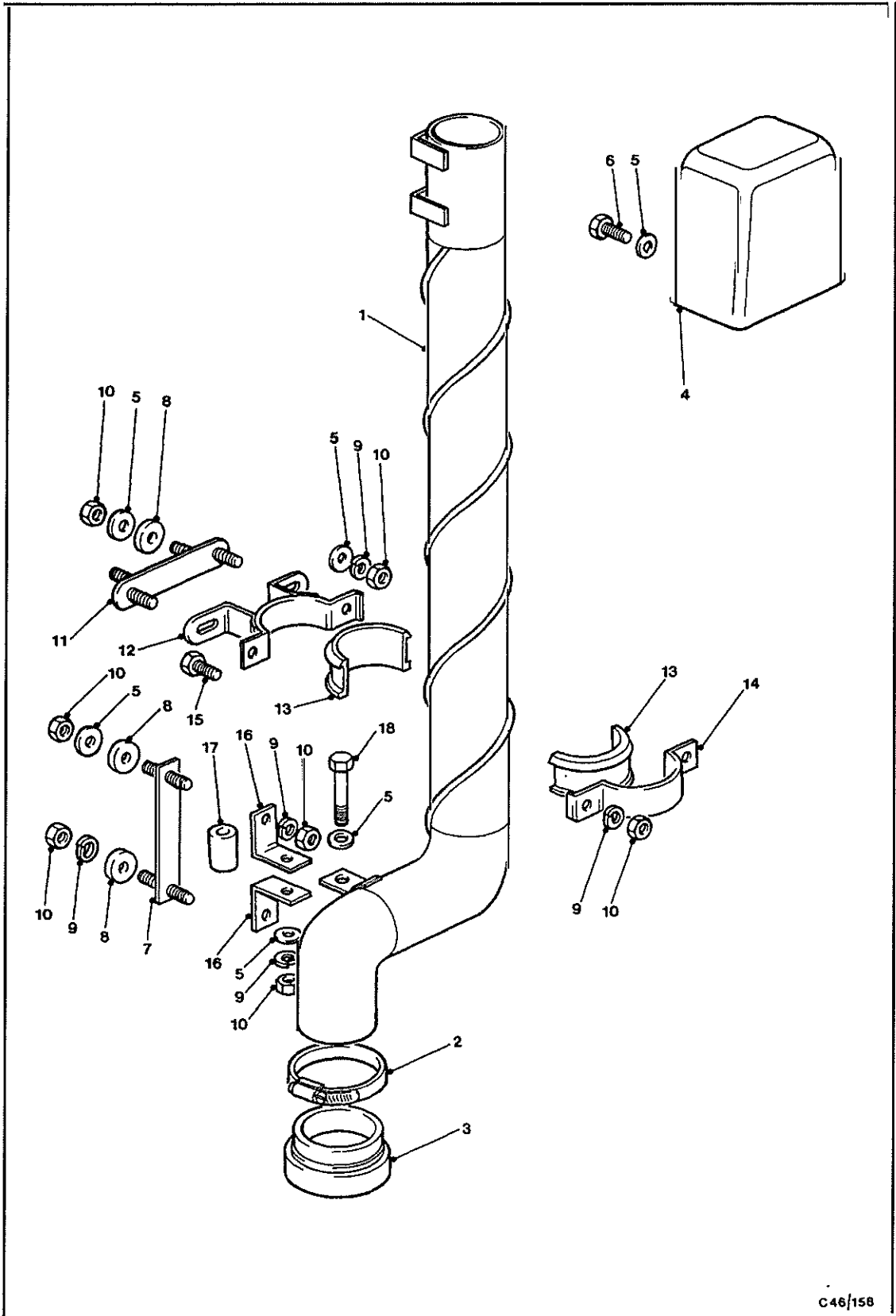


C46/157

Fig 35 Air filter inlet pipe

FIG ITEM	MAN CODE NAVY - N ARMY - A RAF - R	NATO STOCK NUMBER	ITEM NAME AND DESCRIPTION	PART NO./ DRAWING NO.	NO. OFF	ANNOTATIONS
Fig 35			ENGINE ANCILLARIES - contd			
1	A G1	5310-99-122-3062	..AIR FILTER INLET PIPE - ..NUT, PLAIN, HEXAGON, ISO metric, steel, 8 mm		6	
2	A G1	5310-99-135-4099	..WASHER, LOCK, steel, split helical ring, 8 mm id		6	
3	A 7BD	5330-99-833-3466	..GASKET	91008470	1	
4	A G1	5305-99-122-5361	..SCREW, MACHINE, ISO metric, steel, hex hd, 8 mm x 20 mm lg		6	
5	A 7BD	2940-99-748-0370	..ELBOW, AIR CLEANER, aluminium, 6 mtg holes	91047349	1	
6	A G1	5310-99-122-3062	..NUT, PLAIN, HEXAGON, ISO metric, steel, 8 mm		1	
7	A G1	5310-99-135-4099	..WASHER, LOCK, steel, split helical ring, 8 mm id		1	
8	A G1	5310-99-122-3412	..WASHER, FLAT, steel, 8 mm id		1	
9		NP	..CLAMP, AIR INTAKE PIPE	91054725	1	
10	A G1	5305-99-122-5367	..SCREW, MACHINE, ISO metric, steel, hex hd, 8 mm x 25 mm lg		1	
11	A 7BD	2940-99-748-0371	..PIPE, AIR INTAKE	91053880	1	
12		NP	..CLAMP, HOSE		1	
13	A 7BD	4720-99-833-3467	..TUBING, RUBBER	91047353	1	
14		NP	..CLAMP, HOSE		1	
15	A G1	5310-99-122-3412	..WASHER, FLAT, steel, 8 mm id x 17 mm od x 1.7 mm thk		1	
16	A G1	5310-99-135-4099	..WASHER, LOCK, steel, split helical ring, 8 mm id		1	
17	A G1	5305-99-122-5365	..SCREW, MACHINE, ISO metric, steel, hex hd, 8 mm x 16 mm lg		1	

1261



122

Chop 2-1

Fig 36 Air intake pipe

C48/158

140

FIG ITEM	MAN CODE NAVY - N ARMY - A RAF - R	NATO STOCK NUMBER	ITEM NAME AND DESCRIPTION	PART NO./ DRAWING NO.	NO. OFF	ANNOTATIONS
Fig 36						
1	A 7BD	2940-99-748-0373	ENGINE ANCILLARIES - contd ..AIR INTAKE PIPE - contd ..PIPE ASSEMBLY, AIR INTAKE; c/w weld support and elbow	91054765 91012874	1 1	
3		NP	..CONNECTOR			
4	A 7BD	2590-99-833-3471	..ACOUSTIC CAP ASSEMBLY			
5	A G1	5310-99-122-3412	..WASHER, FLAT, steel, 8 mm id x 17 mm od x 1.6 mm thk	91012961		} AR
6	A G1	5305-99-122-8584	..SCREW, MACHINE, ISO metric, steel, hex hd, 8 mm x 16 mm lg			} AR
7		NP	..MOUNTING PLATE	91032171	1	
8	A 7BD	2940-99-748-0376	..SPACER, RING, rubber, 9 mm id x 32 mm od x 3 mm thk	91014207	6	
9	A G1	5310-99-135-4099	..WASHER, LOCK, steel, split helical ring, 8 mm id			} AR
10	A G1	5310-99-122-3062	..NUT, PLAIN, HEXAGON, ISO metric, steel, 8 mm			} AR
11		NP	..PLATE MOUNTING	91026546	2	
12		NP	..CIAMP ASSEMBLY	91013204	2	
13	A 7BD	5330-99-748-0375	..RUBBER, SPECIAL SHAPED SECTION, solid, 52 mm w x 7 mm thk x 225 mm lg			
14		NP	..CLAMP	91062041 91015572	4 2	
15	A G1	5305-99-122-3354	..SCREW, MACHINE, ISO metric, steel, hex hd, 8 mm x 35 mm lg			AR
16		NP	..SUPPORT	91054753	2	
17	A 7BD	2940-99-748-0378	..SPACER, SLEEVE, steel, 9 mm id x 16 mm od x 67 mm lg	91087467	1	
ENGINE STOP CONTROL ELECTRICAL -						
NI	A 7BD	2590-99-978-2448	..BRACKET, STOP CONTROL MOUNTING	91052568	1	
NI	A G1	5306-99-941-0313	..BOLT, MACHINE, UNF, steel, hex hd, 3/8 in. x 1.1/2 in. lg		2	} Filter & Solenoid mtg brkt to block
NI	A 7BD	2910-99-830-9004	..WASHER, SPECIAL, steel, 0.41 in. id x 1.60 in. ht x 0.88 in. w x 0.198 in. thk	8856095 2627568	2 1	
NI	A 7BD	2540-99-824-9798	..SOLENOID, ELECTRICAL			
NI	A G1	5305-99-941-0526	..SCREW, MACHINE, UNF, steel, hex hd, 5/16 in x 7/8 in. lg		2	} Solenoid to mtg brkt
NI	A G1	5310-99-208-6457	..WASHER, LOCK, steel, 8 mm		2	
NI	A G1	5310-99-136-1515	..NUT, PLAIN, HEXAGON, UNF, steel, 5/16 in.		2	
NI	A 7BD	2590-99-777-0435	..ROD, STOP CONTROL, steel, 8 mm dia x 89 mm lg	91048563	1	
NI	A 7BD	2590-99-777-0436	..BALL JOINT	91045734	1	
NI	A G1	5310-99-122-5295	..NUT, PLAIN, HEXAGON, SI, metric, steel, 6 mm		1	
NI	A 7BD	2590-99-777-0437	..BUSHING, SLEEVE, steel, flanged, 6.5 mm id x 19 mm max od x 5 mm o/a lg	91048545	1	
NI	A G1	5305-99-941-0689	..SCREW, MACHINE, UNC, steel, hex hd, 1/4 in. x 1 in. lg		1	} Bell crank plate to brkt
NI	A G1	5310-99-122-6475	..WASHER, FLAT, steel, 8 mm		1	
NI	A G1	5310-99-941-6654	..WASHER, LOCK, steel, 1/4 in.		1	
NI	A G1	5310-99-120-9316	..NUT, PLAIN, HEXAGON, UNC, steel, 1/4 in.		1	
NI	A 7BD	2590-99-777-0438	..PIN, SHOULDER, HEADLESS, steel, 8 mm max od x 194 mm lg	91074686	1	
NI	A G1	5310-99-122-5294	..NUT, PLAIN, HEXAGON, SI, metric, steel, 5 mm		2	} Stop Control rod
NI	A 5MT1	5365-99-777-0440	..RING, RETAINING, steel, ext, 0.210 in. id x 0.035 in. thk	6317961	1	

123

4131

142

FIG ITEM	MAN CODE NAVY - N ARMY - A RAF - R	NATO STOCK NUMBER	ITEM NAME AND DESCRIPTION	PART NO./ DRAWING NO.	NO. OFF	ANNOTATIONS	
NI	A	6MT1	6680-99-749-3519	.TACHOMETER DRIVE - ..DRIVE UNIT, TACHOMETER, comprising: housing & 2 helical gearshafts	7970898	1	
NI		NP		..PLATE, ADAPTOR, timing gear case	2691137	1	
NI	A	6MT1	5330-99-749-3518	..GASKET: drive unit to plate	7229967	1	
NI	A	7BD	5330-99-829-5015	..GASKET: plate to timing gear case	2693720	1	
NI	A	G1	5305-99-941-0686	..SCREW, MACHINE, UNC, steel, hex hd, 1/4 in. x 5/8 in. lg		1)Drive
NI	A	7BD	5306-99-792-0986	..BOLT, MACHINE	121926	1)unit to
NI	A	G1	5310-99-941-6654	..WASHER, LOCK, steel, single coil, 1/4 in.		2)plate
)
NI	A	G1	5306-99-941-1546	..BOLT MACHINE, UNC, steel, hex hd, 5/16 in. x 3.1/2 in.lg		5)Adaptor
NI	A	G1	5305-99-941-0698	..SCREW, MACHINE, UNC, steel, hex hd, 5/16 in. x 3/4 in. lg		2)plate to
NI	A	G1	5310-99-136-4316	..NUT, SLOTTED, HEXAGON, UNC, steel, 5/16 in.		4)crankcase
)front
)plate and
)timing
)gear case
NI	A	7BD	6680-99-749-6543	..SHAFT ASSEMBLY, FLEXIBLE: tachometer cable	91028162	1	
NI	A	7BD	5325-99-832-6700	..GROMMET, RUBBER: tachometer cable	6314585	1	
NI	A	7BD	5340-99-804-2569	..CLIP, SPRING TENSION, steel: cable to sidemember	6358148	1	
NI	A	7BD	5340-99-777-0443	..CLAMP, LOOP, steel, 10 mm grip: cable to compressor pipe bracket	11051072	1	

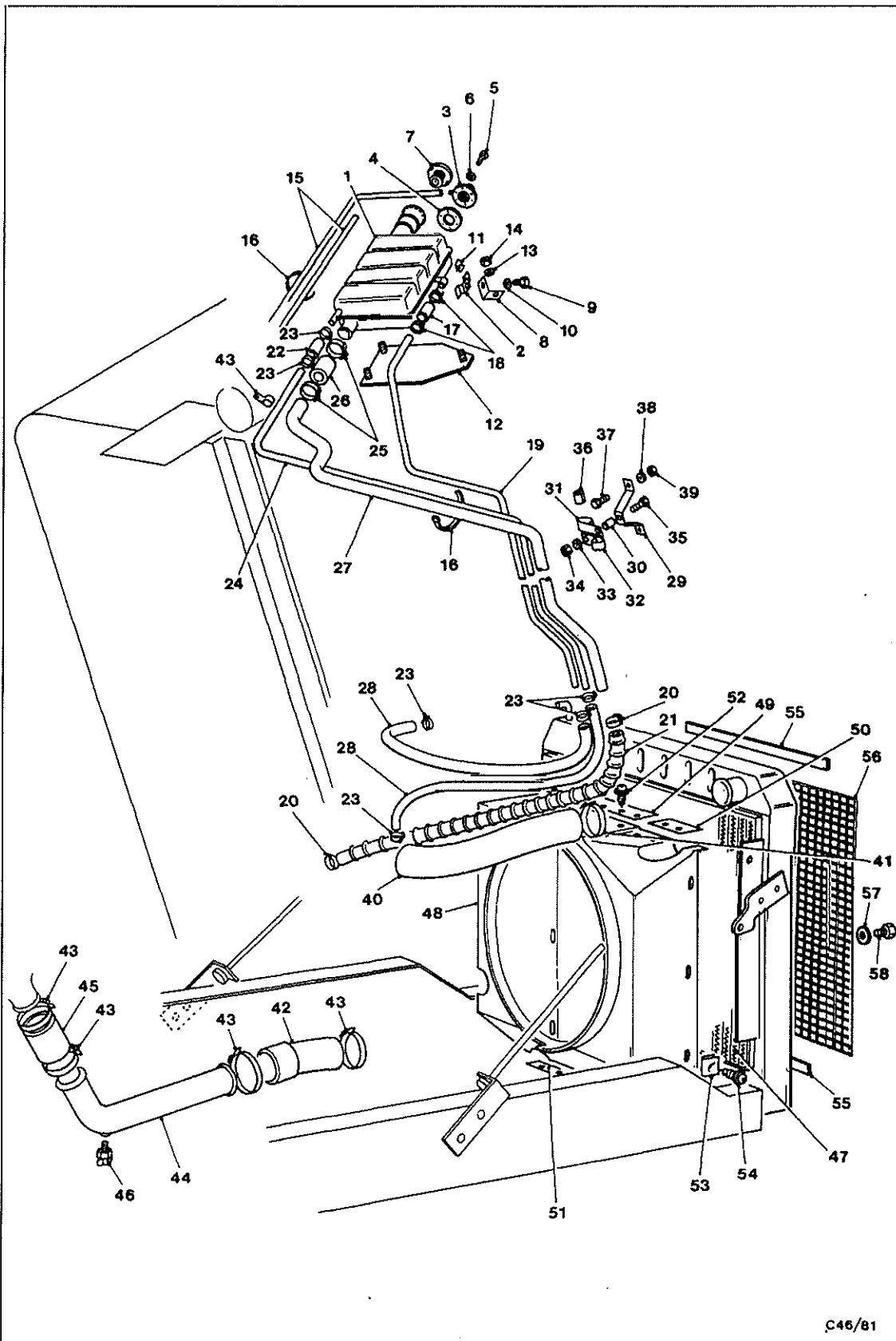
125

9261

127

CHAPTER 2-2
COOLING SYSTEM

Issued Nov. 1983



871

Chap 2 - 2

Fig 1 Radiator, header tank, pipes and hoses

C46/81

FIG ITEM	MAN CODE NAVY - N ARMY - A RAF - R	NATO STOCK NUMBER	ITEM NAME AND DESCRIPTION	PART NO./ DRAWING NO.	NO. OFF	ANNOTATIONS
Fig 1						
1-6	A	7BD	2930-99-833-2610	COOLING SYSTEM - .TANK, COOLANT, header	91025420	1
3	A	6MT1	2930-99-800-8950	..VALVE, RELIEF	1571669	1
4	A	7BD	2930-99-895-9519	..GASKET: relief valve	7136301	1
7	A	7BD	2930-99-833-2611	.CAP, filler opening	7989166	1
11	A	7BD	5310-99-137-2063	.NUT, SHEET SPRING	7083936	3
15	A	6MT6	4720-99-942-7724	.HOSE, RUBBER, 3/8 in. id		AR
16	A			.TIE, nylon, 208 mm lg, 1 mm thk	91065782	5
17	A	7BD	4720-99-836-1936	.HOSE, RUBBER	91003408	1
18	A	6MT1	4730-99-811-6910	.CLAMP, HOSE, monel metal, 1-1/4 in. to 1-7/8 in. od		2
19			NP	.PIPE: radiator vent, RHD	91079378N	1
NI			NP	.PIPE: radiator vent, LHD	91079379	1
20	A	6MT1	4730-99-811-6910	.CLAMP, HOSE, monel metal, 1-1/4 in. to 1-7/8 in. od		2
21	A			.HOSE, convoluted, 25.4 mm id, 720 mm lg	91072648	1
NI	A			.STRAP, rubber/canvas, 408 mm lg, 38 mm w, 4 mm thk	91079575	6
22			NP	.HOSE: de-aeration to header tank	2709574	AR
23	A	6MT1	4730-99-811-6910	.CLAMP, HOSE, monel metal, 1-1/4 in. to 1-7/8 in. od		4
24			NP	.PIPE, de-aeration, RHD	91079380	1
NI			NP	.PIPE, de-aeration, LHD	91079381	1
25	A	6MT1	4730-99-811-6910	.CLAMP, HOSE, monel metal, 1-1/4 in. to 1-7/8 in. od		2
26	A			.HOSE, RUBBER, 25 mm id, 35 mm od, 66 mm lg	91026937	1
27			NP	.PIPE: engine filler, RHD	91079382	1
NI			NP	.PIPE: engine filler, LHD	91079383	1
28	A	7BD	4720-99-836-1939	.HOSE, PREFORMED: de-aeration pipe to engine	91076377	1
30			NP	.SPACER, 57 mm o/a lg, 25 mm w	1049688	2
31	A			.CLIP, double pipe accomodation, 45 mm o/a lg, 20 mm w	91006360	2
32	A			.CLIP, single pipe-accomodation	91077507	2
36			NP	.SLEEVE: de-aeration pipe to bracket	2682125	2
40	A			.HOSE: thermostat housing to radiator inlet	91036720	1
41	A			.CLAMP, HOSE		2
42	A	7BD	4720-99-836-1941	.HOSE, PREFORMED	91062017	1
NI	A			.ADAPTOR: oil cooler to outlet pipe	91082214	1
45	A	7BD	4720-99-832-7045	.HOSE, RUBBER, 59.5 mm id, 69.5 mm od, 70 mm lg	9964299	1
46	A	7BD	2930-99-818-8208	.COCK, DRAIN	7099379	1
47	A	7BD	2930-99-836-1933	.RADIATOR, ENGINE COOLANT	91068483	1
48	A			.COWL, RADIATOR	91054817	1
49	A			.STRIP, SEALING, canvas/rubber, 468 mm lg, 34.5 mm w; w/5 holes	91054822	1
50	A			.STRIP, SEALING, canvas/rubber, 98 mm lg, 34.5 mm w; w/2 holes	91054823	1
51	A			.STRIP, SEALING, canvas/rubber, 442 mm lg, 34.5 mm w; w/5 holes	91065470	1
55	A			.STRIP, SEALING, radiator, canvas/ rubber	91048548	2
56	A			.SHIELD, RADIATOR CORE	91047160	1
57	A			.WASHER	6329935	10
NI	A			.HOSE, RUBBER, 12.7 mm id, 21 mm od, 40 mm lg	91054449	2

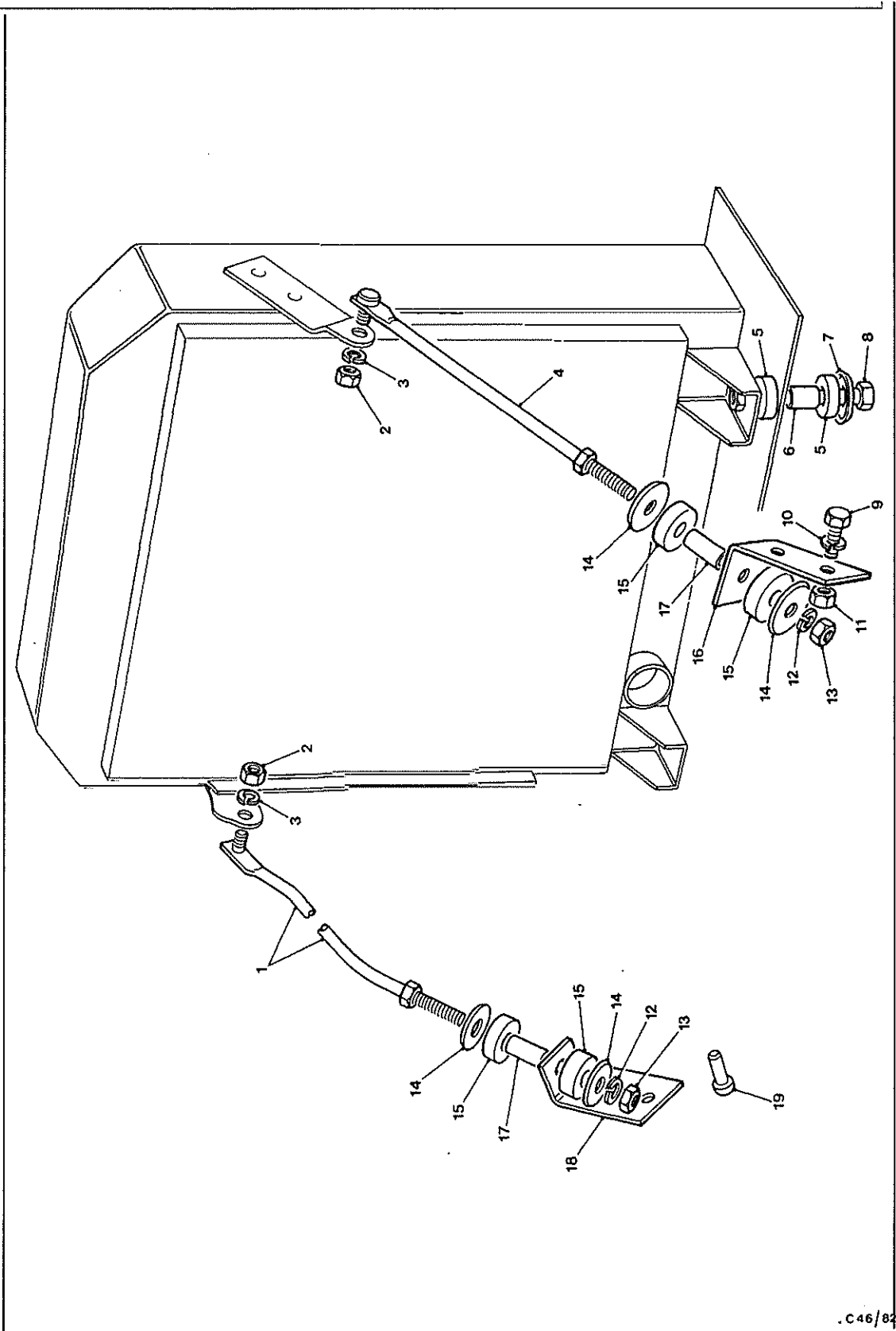
Outlet
pipe to
oil cooler

Air
Compressor
coolant pipe

1621

FIG ITEM	MAN CODE NAVY - N ARMY - A RAF - R	NATO STOCK NUMBER	ITEM NAME AND DESCRIPTION	PART NO./ DRAWING NO.	NO. OFF	ANNOTATIONS
NI	A		COOLING SYSTEM - contd ADAPTOR, steel, 3/8 in. NPTF male thd, 12.7 mm hose connection, hex wrenching	91048465	1	Coolant outlet
NI			ADAPTOR, steel, 3/4 in. NPTF male thd, 1/2 in. & 3/8 in. NPTF female thds	91054702	1	Heater lower return pipe to coolant pump

131



.C46/82

Chap 2 - 2

Fig 2 Radiator mountings

132

10

FIG ITEM	MAN CODE NAVY - N ARMY - A RAF - R	NATO STOCK NUMBER	ITEM NAME AND DESCRIPTION	PART NO./ DRAWING NO.	NO. OFF	ANNOTATIONS
Fig 2						
5	A	7BD	5340-99-833-3013			
6	A	7BD	5365-99-748-0323			
7	A					
14	A	7BD	2930-99-833-3009			
15	A	7BD	5340-99-802-1717			
17	A	7BD	5365-99-748-0320			
			COOLING SYSTEM -- contd			
			..RADIATOR MOUNTINGS -			
			..BUSHING, RUBBER: radiator	1025666	8) Bottom) mtg
			..DISTANCE PIECE	9958512	4	
			..RETAINER, insulator	91000179	4	
			..RETAINER, INSULATOR, steel, 15/32 in. id, 1-5/8 in. od, 1/8 in. thk	1019717	4	
			..INSULATOR: tie rod to support bracket	6342342	4	
			..DISTANCE PIECE: tie rod to support bracket	2712348	2	

133

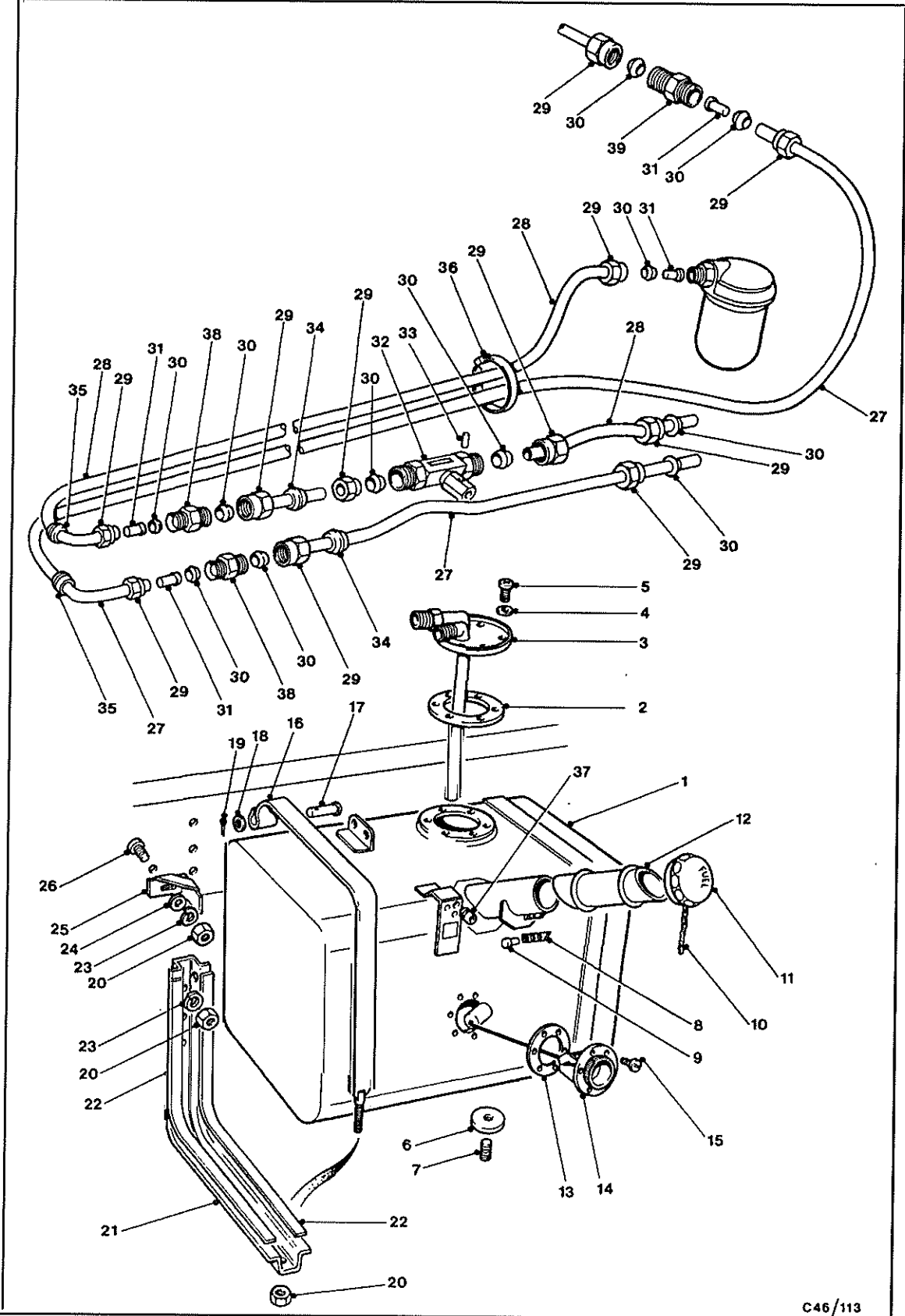
461

CHAPTER 2-3
FUEL SYSTEM

Issued Nov. 1983

561

151



C46/113

Chap 2-3

Fig1 Fuel syst m

FIG ITEM	MAN CODE NAVY - N ARMY - A RAF - R	NATO STOCK NUMBER	ITEM NAME AND DESCRIPTION	PART NO./ DRAWING NO.	NO. OFF	ANNOTATIONS
Fig 1			FUEL SYSTEM -			
1-7	A	7BD	2910-99-836-3325	.TANK, FUEL, ENGINE	91062592	1
2	A	7BD	5330-99-833-2409	..GASKET	7095313	1
3	A	7BD	2910-99-836-3326	..PIPE ASSEMBLY, TANK UNIT	9972511	1
4	A	7BD	5310-99-895-2225	..WASHER, FLAT	7115820	6
5		NP	..SCREW	11038822	6	
7	A	7BD	4730-99-835-2632	..PLUG, PIPE	8856463	1
10	A	7BD	2910-99-833-2256	.CHAIN ASSEMBLY, SINGLE LEG	7055121	1
11	A	7BD	2910-99-833-3454	.CAP, FILLER OPENING	7989413	1
12	A	7BD	2910-99-833-2415	.FILLER NECK	7097723	1
13	A		.GASKET	91071174	2	
14	A		.TRANSMITTER, LIQUID QUANTITY	9969555	1	
15		NP	.SCREW	11020919	6	
16	A	7BD	5340-99-833-3455	.STRAP, FUEL TANK	9963877	2
20		NP ¹	.NUT	1103127	8	
21		NP	.BRACKET, FUEL TANK SUPPORT	91026549	2	
22	A	7BD	5330-99-836-3327	.PLASTICS STRIP	91045607	4
23		NP	.WASHER, LOCK, steel	11011518	8	
24		NP	.WASHER, PLAIN	11010505	8	
26	A		.BOLT, MACHINE	91025781	8	
29	A	7BD	4730-99-833-2408	.INVERTED NUT, UNION, PIPE	7094460) AR
30	A	7BD	4730-99-833-2205	.SLEEVE, COMPRESSION, PIPE-HOSE FITTING	114631	
31	A		.SLEEVE	91053717)	
32	A		.VALVE	91057703		1
NI	A		.HANDLE	91043622	1	
NI	A		.CONNECTOR	91030078	1	
NI	A	7BD	5340-99-825-3411	.CLIP, SPRING	7210821	1
34	A		.GROMMET, rubber	6393795	2	
35	A		.GROMMET, rubber	91041324	2	
NI	A		.INSULATOR, fuel pipe	2711177	2	
36	A	7BD	5340-99-824-6033	.STRAP, LINE SUPPORTING	8838564	5
NI	A	7BD	5330-99-838-4848	.SLEEVE, COMPRESSION, PIPE-HOSE FITTING	91065473	5

127

155

1

138

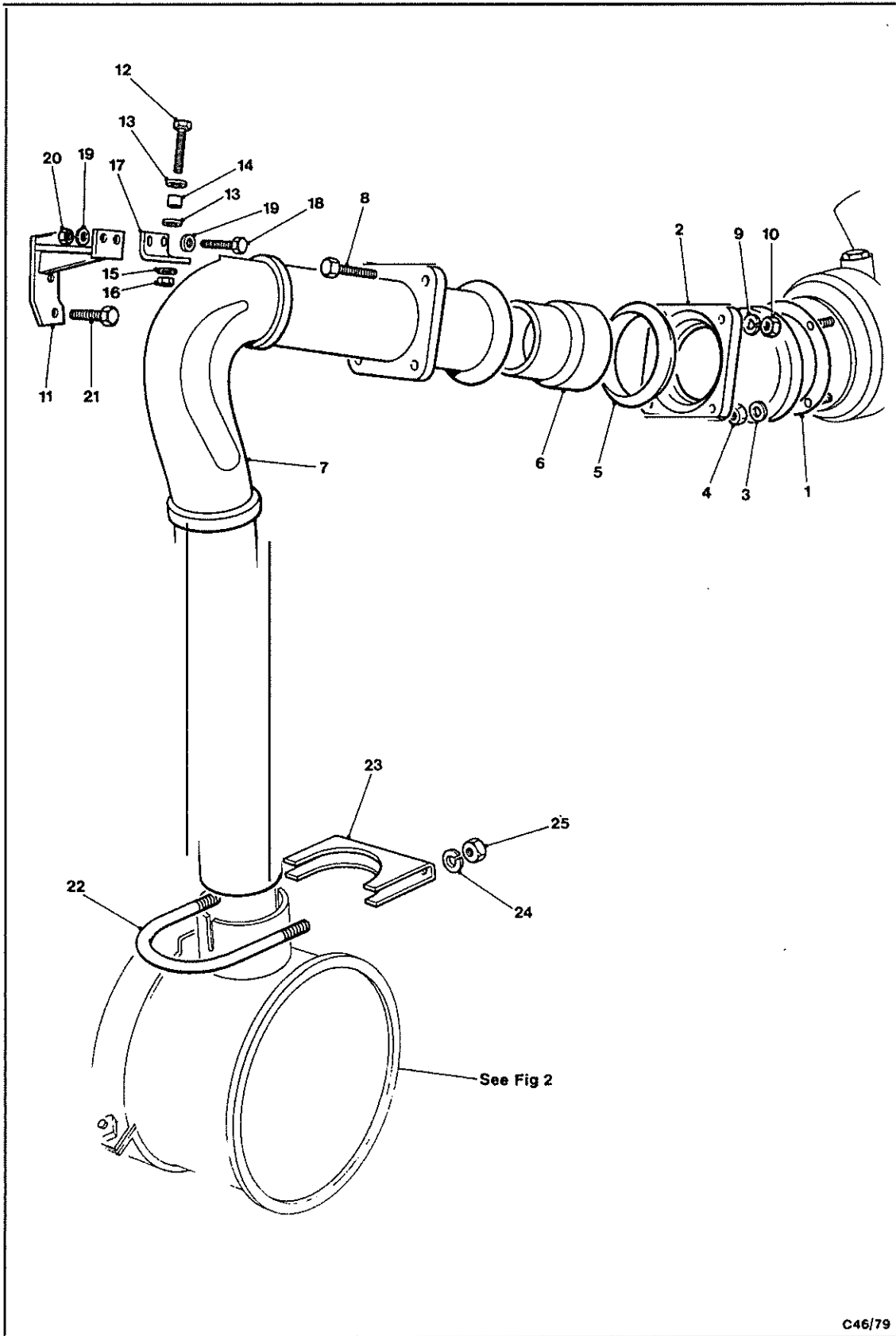
1 156

CHAPTER 2-4
EXHAUST SYSTEM

Issued Nov. 1983

139

071



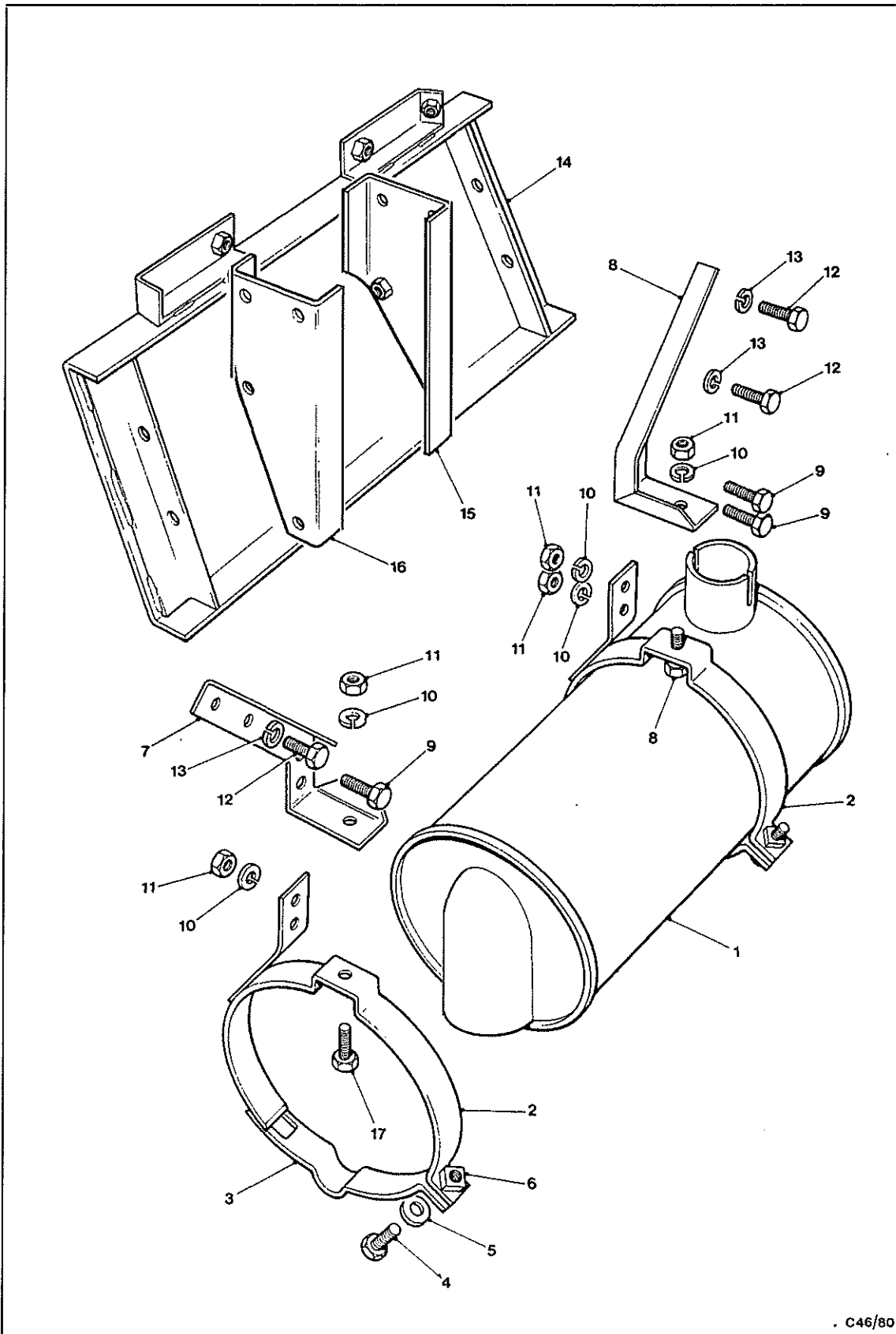
Chap 2 - 4

Fig 1 Exhaust pip

C46/79

150

FIG ITEM	MAN CODE NAVY - N ARMY - A RAF - R	NATO STOCK NUMBER	ITEM NAME AND DESCRIPTION	PART NO./ DRAWING NO.	NO. OFF	ANNOTATIONS
Fig 1						
1	A	7BD	5330-99-833-3479	EXHAUST SYSTEM - ..EXHAUST PIPE -	91030852	1
2	A			..GASKET	91062019	1
5	A	7BD	2990-99-833-3473	..ADAPTOR	91032410	1
6	A	7BD	2590-99-833-3472	..RING, PACKING, EXHAUST	91052492	1
7	A			..PIPE, STEEL	91066403	1
11			NP	..PIPE	91054785	1
14			NP	..SUPPORT	6352516	2
17			NP	..SPACER, support to outlet pipe	91054784	1
22	A	7BD	5306-99-833-3477	..BRACKET, SUPPORT	11075971	1
23	A	7BD	2590-99-833-3478	..BOLT, U, M8 thd	11075951	1
				..CLAMP, PIPE		



Chap 2 - 4

Fig 2 Sil nc r and fittings

C46/80

2411

100

FIG ITEM	MAN CODE NAVY - N ARMY - A RAF - R	NATO STOCK NUMBER	ITEM NAME AND DESCRIPTION	PART NO./ DRAWING NO.	NO. OFF	ANNOTATIONS
Fig 2			EXHAUST SYSTEM - contd			
1	A	7BD	.SILENCER AND FITTINGS -			
2		2590-99-836-3404	..SILENCER, EXHAUST	91066400	1	
3		NP	..SUPPORT, SILENCER: upper	91071937	2	
7		NP	..CLAMP: silencer support lower	91071933	2	
8		NP	..BRACKET: silencer support, rh	91056374	1	
14	A		..BRACKET: silencer support, lh	91056375	1	
15	A		..GUARD, SILENCER	91077253	1	
			..BRACKET, SUPPORT: rh, guard to crossmember	91078509	1	
16			..BRACKET, SUPPORT: lh, guard to crossmember	91078508	1	

143

三

CHAPTER 2-5
TRANSMISSION

Issued Nov. 1983

971

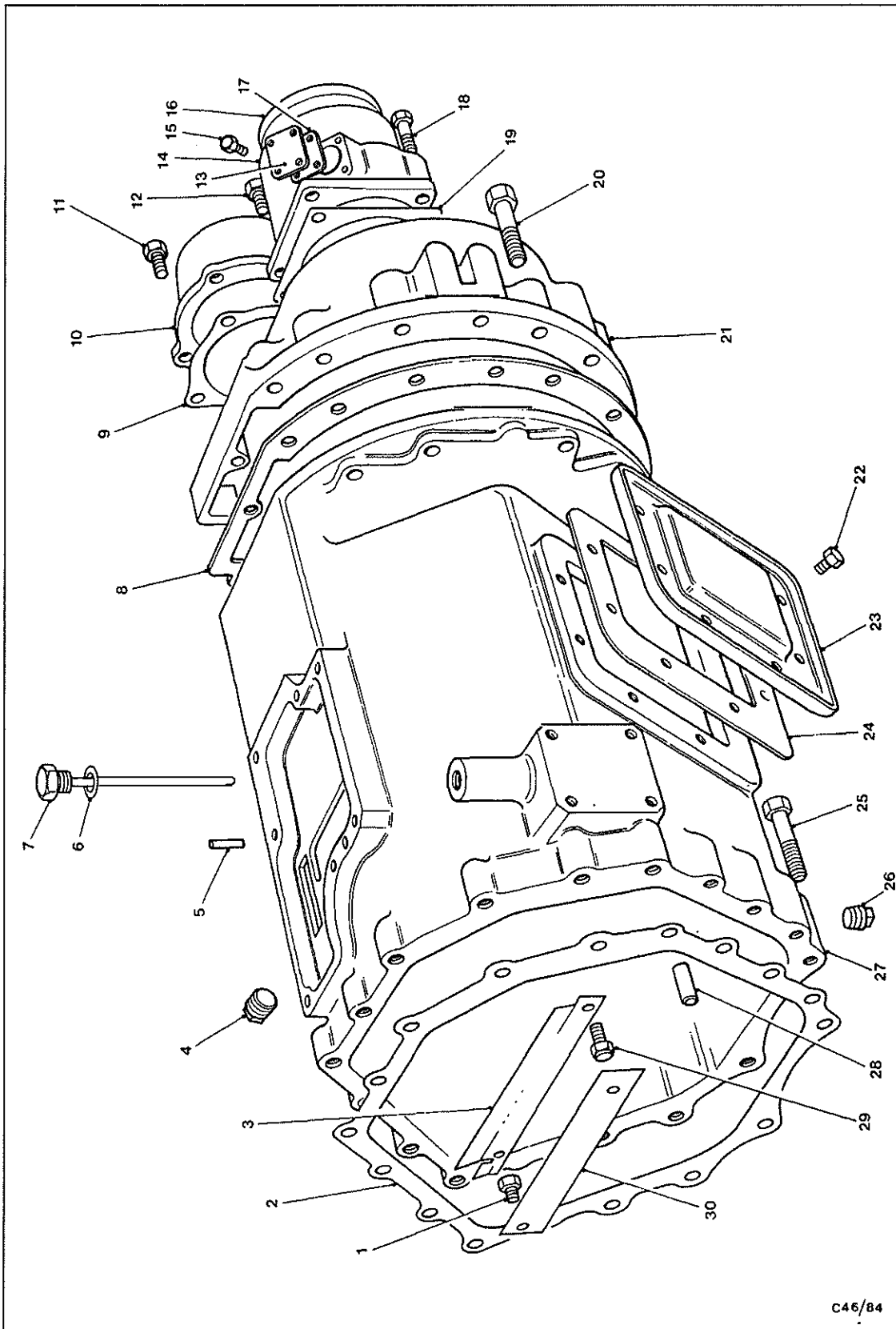
9711

1664

FIG ITEM	MAN CODE		NATO STOCK NUMBER	ITEM NAME AND DESCRIPTION	PART NO./ DRAWING NO.	NO. OFF	ANNOTATIONS
	NAVY - N	ARMY - A RAF - R					
NI	A	7BD	2520-99-831-8122	TRANSMISSION - .GEARBOX, MECHANICAL, 6 forward and 1 reverse gears	91055078	1	RHD
NI	A	7BD	2520-99-831-8123				.GEARBOX, MECHANICAL, 6 forward and 1 reverse gears

L741

160



C46/84

Fig 1 Transmission case and covers

1148

FIG ITEM	MAN CODE NAVY - N ARMY - A RAF - R	NATO STOCK NUMBER	ITEM NAME AND DESCRIPTION	PART NO./ DRAWING NO.	NO. OFF	ANNOTATIONS
Fig 1			TRANSMISSION - contd			
1	A	G1	5305-99-139-8419			
2	A	6MT10	5330-99-836-6624		2	
4	A	6MT10	4730-99-205-9563	91053491	1	
6	A	6MT1	5310-99-999-8957	6388909	1	Oil level
7	A	6MT10	6680-99-838-6238	VM91059771	1	
8	A	7BD	5330-99-831-9886	MKC63535	1	
9	A	7BD	5330-99-831-9893	91053492	1	
10		NP		91053499	1	
11	A	G1	5305-99-122-3353	91059766	1	
12	A	G1	5305-99-122-8578		AR	
13		NP		91075326	2	
14		NP		91059763	1	
15		NP		91059786	2	
16	A	6MT1	5330-99-832-1992		1	
17	A	6MT10	5330-99-838-6239		1	
18	A	G1	5306-99-124-3611	CKD63480	1	
19	A	7BD	5330-99-831-9891		1	
20	A	G1	5306-99-977-5694	MKC62335	1	
22		NP		91059654	13	
24		NP		91059787	AR	
NI		NP		91053498	AR	
25		NP		6342605	AR	
26	A	6MT10	4730-99-205-9563	91059809	15	
29		NP		6388909	1	Oil drain
NI	A	G1	5305-99-122-3356		2	
NI	A	7BD	5330-99-832-1989		3	Cover, output shaft bearing
NI		NP		MKD62964	2	Input shaft
NI	A	6MT1	5330-99-832-1990	91059722	1	
NI	A	7BD	5330-99-838-2860		1)	Input shaft
NI	A	G1	5305-99-122-3353	MKC61253	1)	cover
					6)	

5411

f

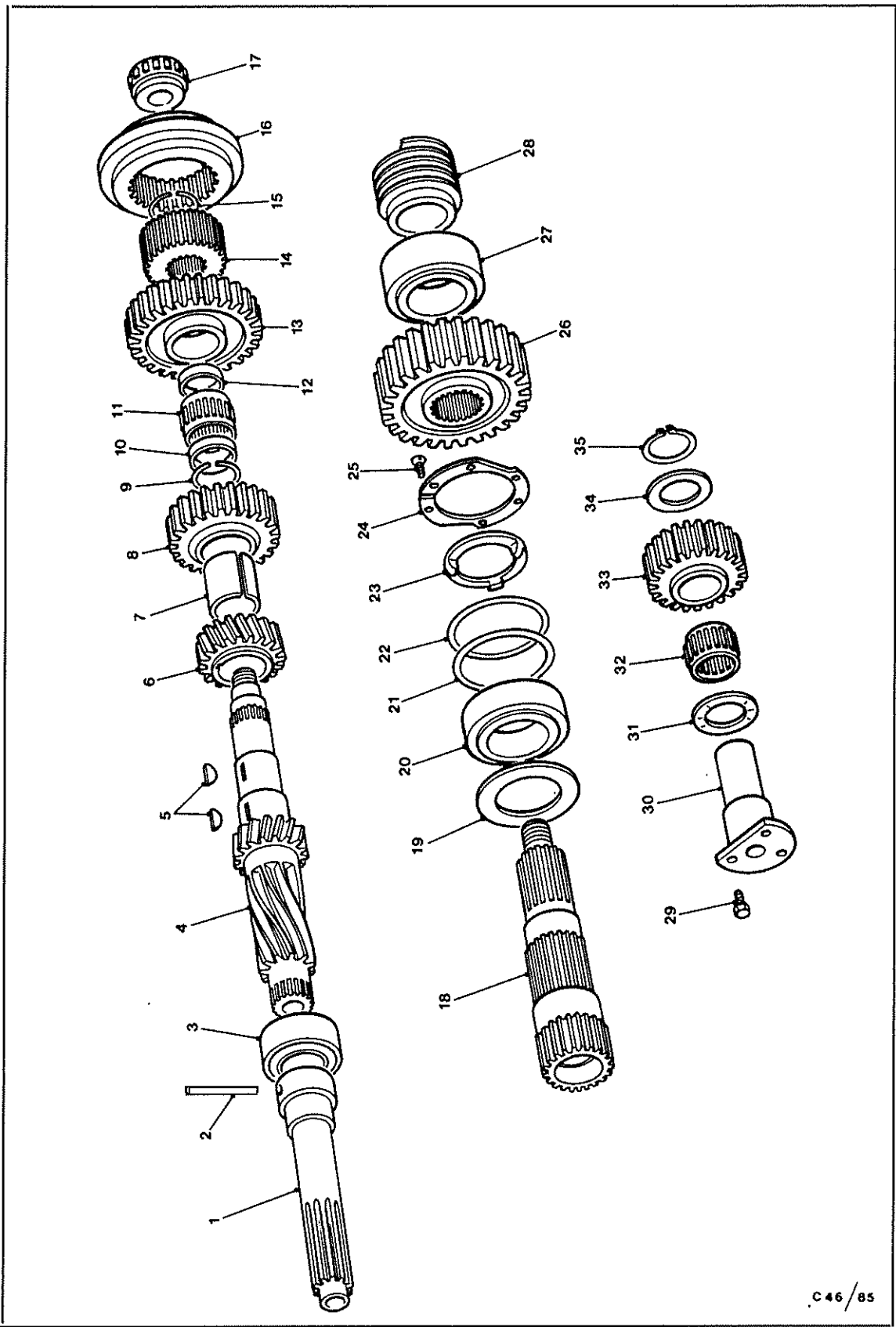
J

150

1 11 3

FIG ITEM	MAN CODE NAVY - N ARMY - A RAF - R		NATO STOCK NUMBER	ITEM NAME AND DESCRIPTION	PART NO./ DRAWING NO.	NO. OFF	ANNOTATIONS
NI NI NI	A A	7ED G1	NP 5330-99-838-2860 5305-99-122-3353	TRANSMISSION - contd .GEARBOX, MECHANICAL - contd ..CASING AND COVERS - contd ...COVER: countershaft front bearing ...GASKET, asbestos ...SCREW, MACHINE, ISO metric, steel, hex hd, 8 mm - 1.25 mm pitch x 25 mm lg	91059646 MKC61253	1 1 6)Front)bearing)cover)

151



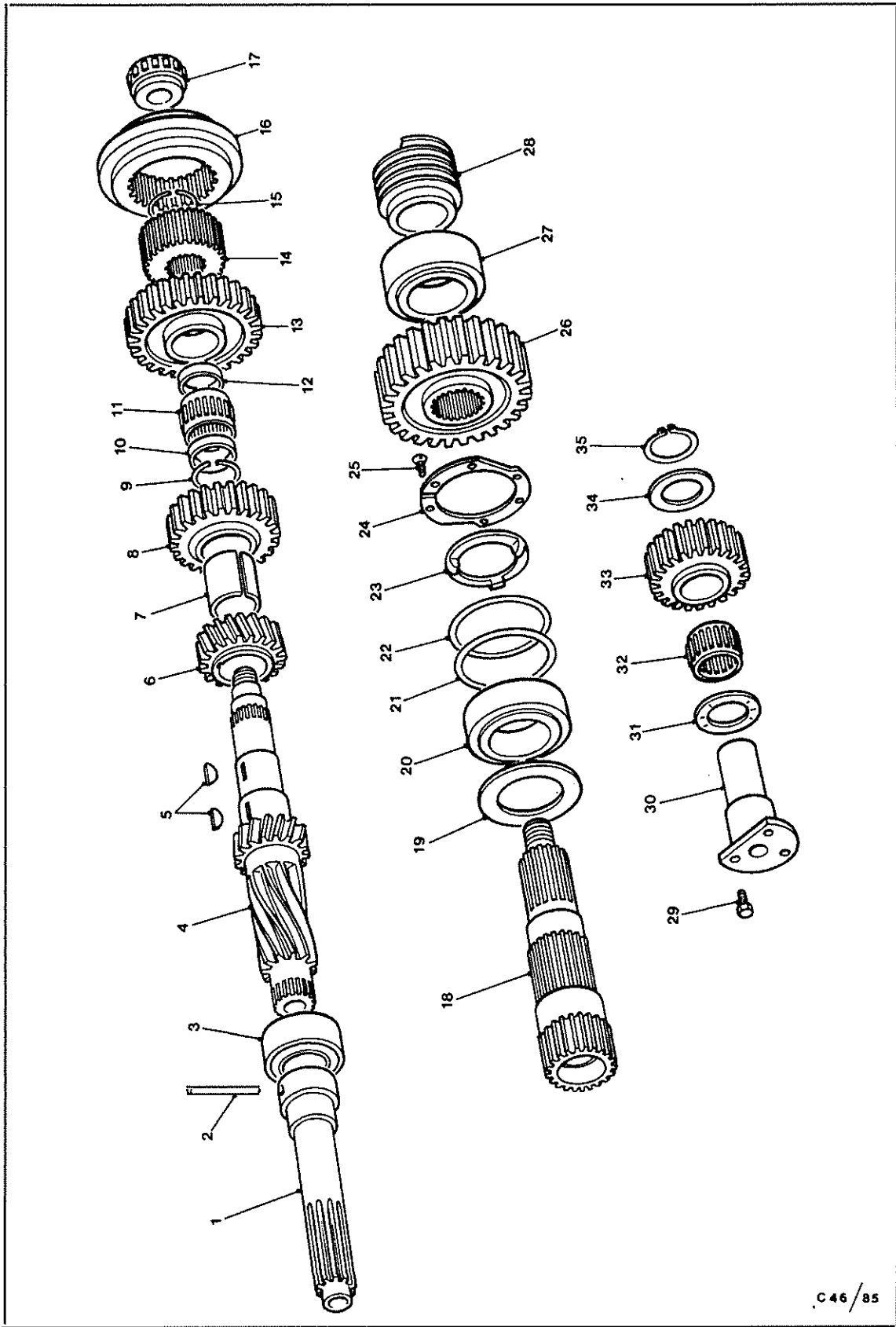
Chap 2-5

Fig 2 Mainshaft and gears

C 46 / 85

FIG ITEM	MAN CODE NAVY - N ARMY - A RAF - R	NATO STOCK NUMBER	ITEM NAME AND DESCRIPTION	PART NO./ DRAWING NO.	NO. OFF	ANNOTATIONS
Fig 2			TRANSMISSION - contd .GEARBOX, MECHANICAL - contd ..MAINSHAFT AND GEARS -			
1	A 7BD	2520-99-831-9894	...SHAFT, SHOULDERED, steel, int and ext splined, 301 mm o/a lg	MKB63520	1	
2	A G1	5315-99-138-9131	...PIN, SPRING, steel, 5 mm dia x 55 mm lg		1	
3	A 6MT7	3110-99-831-9897	...BEARING, TAPERED, ROLLER, single row, 1-3/4 in. id x 3-43/64 in. od x 1-3/16 in. w	3782-3720	1	
4	A 7BD	2520-99-831-9896	...SHAFT, SHOULDERED, steel, splined one end threaded other end, 431 mm o/a lg	MKA62991	1	
5	A 6MT1	5315-99-139-8416	...KEY, WOODRUFF, steel, 1/4 in. thk x 3/8 in. h, 7/16 in. rad		1	
6	A 7BD	3040-99-831-9928	...GEARSHAFT, HELICAL, steel, 4-19/32 in. od x 2 in. id x 1 in. w; w/int. keyway	MKB62985	1	
7	A 7BD	5365-99-831-9929	...SPACER, SLEEVE, steel, 51 mm id x 61 mm od x 56 mm lg; w/split axially	MKD61178	1	
8	A 7BD	3040-99-831-9930	...GEARSHAFT, HELICAL, steel, 1-31/32 in. x 5-35/64 in. od x 63/64 in. w, w/int. keyway	MKB64679	1	
9	A 7BD	5365-99-832-1999	...RING, RETAINING, steel, ext, 2 mm thk; for 50 mm shaft	5107-50 91059687	1	
10		NP	...Spacer		1	
11	A 6MT7	3110-99-832-1988	...ROLLER ASSEMBLY, JOURNAL BEARING, single row, 50 mm id x 56 mm od x 30 mm w		1	
12	A 7BD	5365-99-831-9931	...SPACER, RING, steel, 50 mm id x 55 mm od x 8 mm w	MKC61214	2	
13	A 7BD	3040-99-831-9932	...GEARSHAFT, HELICAL, steel, 2-13/64 in. id x 6-3/8 in. od x 1-29/32 in. w; w/ext splined boss	MKA61052	1	
14	A 7BD	2520-99-831-9933	...SLEEVE, SHIFT HUB, steel, splined int and ext, 1-53/64 in. id x 3-3/4 in. od x 63/64 in. w	MKC61240	1	
15	A 7BD	5365-99-832-2298	...RING, RETAINING, steel, ext, 1.75 mm thk; for 48 mm dia shaft	5107-48	1	
16	A 6MT10	2520-99-836-6625	...SYNCHRO PACK ASSEMBLY, 5th to 6th speed	MKC64899	1	
17	A 6MT7	3110-99-831-9895	...CONE AND ROLLERS, TAPERED ROLLER BEARING, single row, 1-1/8 in. id x 27/32 in. lg		1	
18	A 6MT10	2520-99-838-6226	...SHAFT, SHOULDERED: transmission gearbox output	MKA61181	1	
19	A 7BD	5310-99-831-9934	...WASHER, BACKING, steel, 86 mm id x 110 mm od x 5 mm w	MKC61231	1	
20	A 6MT7	3110-99-806-1073	...BEARING, TAPERED, ROLLER, 2-7/8 in. id x 4-7/16 in. od x 1 in. lg		1	
21	A 7BD	5365-99-831-9941	...SHIM, steel or plastics, 96 mm id x 113 mm od x 0.05 mm thk	MKC61905	AR	
NI	A 7BD	5365-99-831-9942	...SHIM, steel or plastics, 96 mm id x 113 mm od x 0.08 mm thk	MKC61906		
NI	A 7BD	5365-99-831-9943	...SHIM, steel or plastics, 96 mm id x 113 mm od x 0.18 mm thk	MKC61907		
NI	A 7BD	5365-99-831-9944	...SHIM, steel or plastics, 96 mm id x 113 mm od x 0.56 mm thk	MKC61908		
22	A 7BD	5365-99-831-9945	...SPACER, RING, steel, 96 mm id x 113 mm od, 5 mm thk	MKC61229		1

153



Chap 2-5

Fig 2 Mainshaft and gears

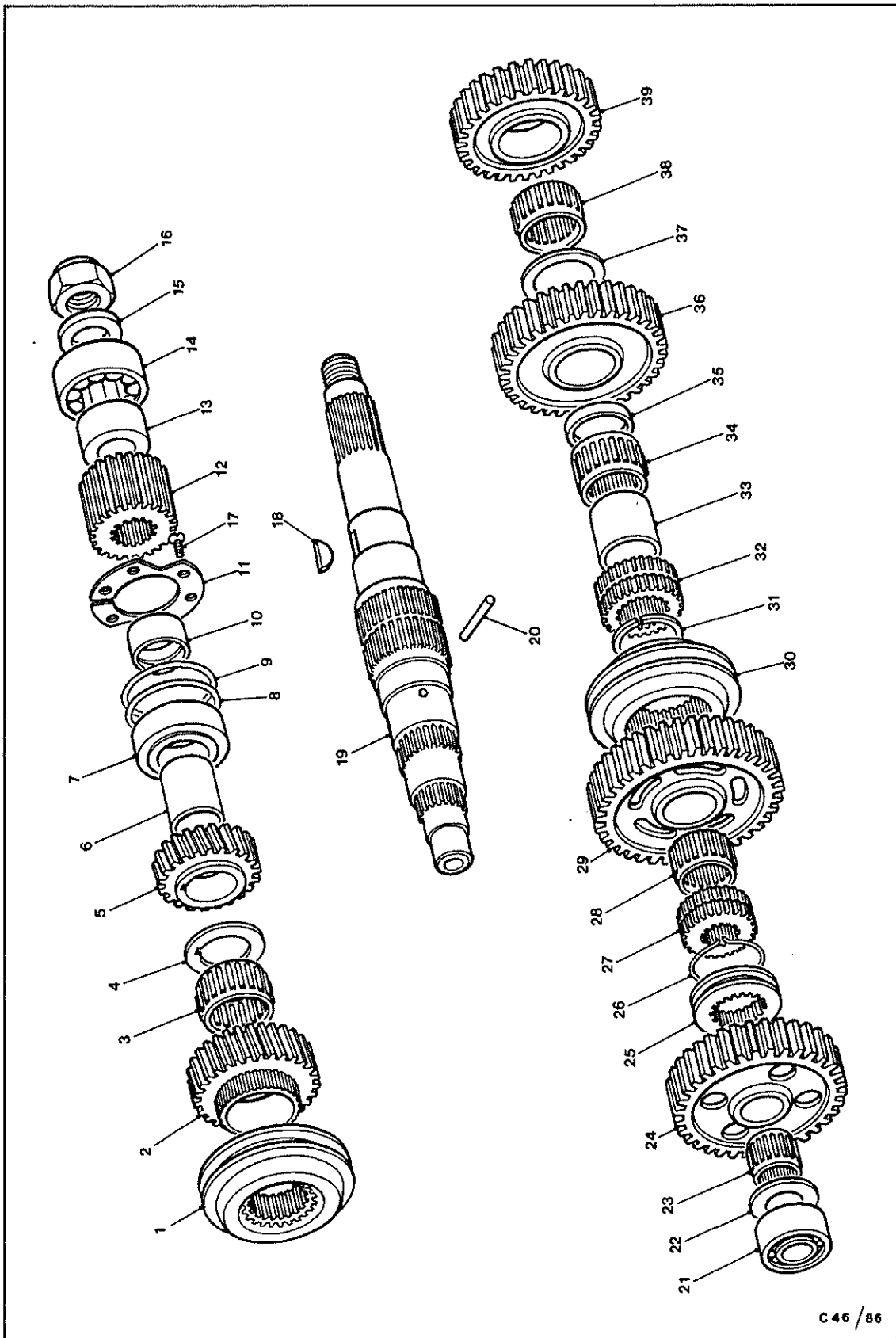
C 46 / 85

154

116

FIG ITEM	MAN CODE NAVY - N ARMY - A RAF - R	NATO STOCK NUMBER	ITEM NAME AND DESCRIPTION	PART NO./ DRAWING NO.	NO. OFF	ANNOTATIONS
Fig 2			TRANSMISSION - contd			
23	A 7BD	2520-99-831-9948	.GEARBOX, MECHANICAL - contd ..MAINSHAFT AND GEARS - contd ...PACKING PIECE, steel, 70 mm id x 87 mm od x 12 mm o/a w; 3 legs on one face	MKC62040 91059705	1 1	
24		NP	...PLATE, RETAINING			
25	A G1	5305-99-122-5324	...SCREW, SOCKET HEAD, ISO metric, steel, 8 mm - 1.5 mm pitch x 20 mm lg			
26	A 7BD	3040-99-836-6627	...GEAR, HELICAL, bull wheel	91083054	6 1	
27	A 6MT7	3110-99-832-1994	...BEARING, PARALLEL ROLLER, JOURNAL, single row, 60 mm id x 110 mm od x 22 mm w		1	
28	A 7BD	3040-99-832-1649	...GEARSHAFT, HELICAL, steel, 57.5 mm id x 75.4 mm od x 32 mm w	MKC62308	1	Speedometer driving
29	A G1	5306-99-977-5257	...BOLT, SELF-LOCKING, ISO metric, steel, hex hd, 8 mm - 1.25 mm pitch x 30 mm lg		3	
30	A 7BD	2520-99-831-9899	...SHAFT, SHOULDERED, steel, 92 mm max shoulder dia, 84 mm o/a lg; w/groove at one end	91059649	1	
31	A 7BD	3120-99-831-9907	...WASHER, THRUST, steel/bronze, 45 mm id x 65 mm od x 2 mm thk; w/key 8 mm w	MKD61358	1	
32	A 6MT7	3110-99-831-9906	...ROLLER ASSEMBLY, JOURNAL BEARING, single row, 45 mm id x 53 mm od x 28 mm w		1	
33	A 7BD	3040-99-832-1615	...GEARSHAFT, HELICAL, steel, 4-31/32 in. od x 2-5/64 in. id x 1-9/64 in. w; 31 teeth	MKB60812	1	
34	A 7BD	3120-99-831-9908	...WASHER, THRUST, steel, 45 mm id x 65 mm od x 5 mm thk; w/3 oil slots	MKD61267	1	
35	A 6MT1	5365-99-825-1839	...RING, RETAINING, steel, ext, for 45 mm shaft dia, 1.75 mm thk		1	

155



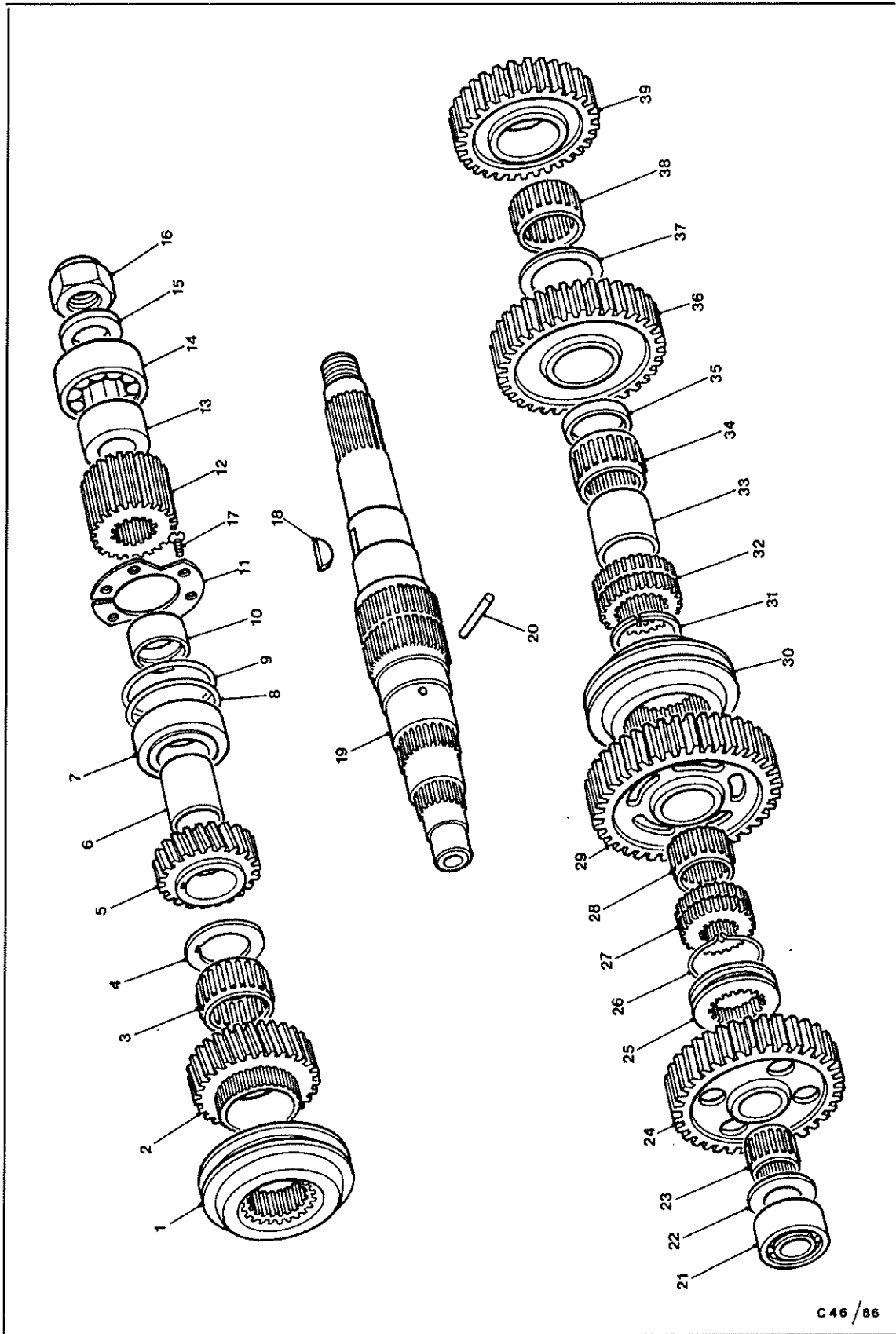
Chap 2-5

Fig 3 Countershaft and gears

C 46 / 86

FIG ITEM	MAN CODE NAVY - N ARMY - A RAF - R	NATO STOCK NUMBER	ITEM NAME AND DESCRIPTION	PART NO./ DRAWING NO.	NO. OFF	ANNOTATIONS	
Fig 3							
1	A	6MT10	2520-99-836-6625	TRANSMISSION - contd .GEARBOX, MECHANICAL - contd ..COUNTERSHAFT AND GEARS - ...SYNCHRO PACK ASSEMBLY, 3rd to 4th speed	MKC64899	1	
2	A	7BD	3040-99-831-9911	...GEAR, SPUR, steel, 6 in. od x 3-1/2 in. id x 1-5/8 in. w; w/ext splined boss	MKB60839	1	
3	A	6MT7	3110-99-831-9910	...ROLLER ASSEMBLY, JOURNAL BEARING, single row, 70 mm id x 76 mm od x 30 mm w		1	
4	A	7BD	3120-99-831-9912	...WASHER, THRUST, steel, 55 mm id x 90 mm od x 5 mm w	MKC61207	1	
5	A	7BD	3040-99-831-9913	...GEARSHAFT, HELICAL, steel, 55 mm id x 131 mm od x 25.5 mm w	MKB61059	1	
6	A	7BD	5365-99-831-9927	...SPACER, SLEEVE, steel, 55 mm id x 65 mm od x 59 mm lg; split axially	MKC61203	1	
8	A	7BD	5365-99-831-9935	...SHIM, steel or plastics, 87 mm id x 105 mm od x 0.05 mm thk	MKC61909	})AR
NI	A	7BD	5365-99-831-9936	...SHIM, steel or plastics, 87 mm id x 105 mm od x 0.08 mm thk	MKC61910		
NI	A	7BD	5365-99-831-9937	...SHIM, steel or plastics, 87 mm id x 105 mm od x 0.18 mm thk	MKC61911		
NI	A	7BD	5365-99-831-9938	...SHIM, steel or plastics, 87 mm id x 105 mm od x 0.56 mm thk	MKC61912		
9	A	7BD	5365-99-831-9939	...SPACER, RING, steel, 87 mm id x 105 mm od x 5 mm w		1	
10	A	6MT10	5365-99-838-6224	...SPACER, RING, steel, 51 mm id x 65 mm od x 15 mm w, c/bored 55 mm dia x 4 mm deep	MKD64751	1	
11	A	7BD	3110-99-831-9940	...PLATE, RETAINING, BEARING, steel, 6 mtg holes	MKC61903	1	
12	A	7BD	3040-99-836-6626	...GEAR, HELICAL, 24 teeth	91083052	1	
13	A	6MT10	2520-99-838-6225	...RING, BEARING SUPPORT, steel, 40 mm id x 72 mm od x 26.5 mm w	MK064750	1	
14	A	6MT7	3110-99-832-1993	...BEARING, ROLLER, JOURNAL, single row, 72 mm id x 110 mm od x 22 mm w		1	
15	A	7BD	5310-99-831-9947	...WASHER, RECESSED, steel, 37 mm id x 65 mm od x 6 mm thk	MKD61469/A	1	
16	A	6MT1	5315-99-139-8417	...NUT, SELF-LOCKING, HEXAGON, ISO metric, steel, 36 mm - 3 mm pitch		1	
17	A	G1	5305-99-122-5324	...SCREW, SOCKET HEAD, ISO metric, steel, 8 mm - 1.5 mm pitch x 20 mm lg		6	
18	A	6MT1	5315-99-139-8416	...KEY, WOODRUFF, steel, 1/4 in. thk, 3/8 in. h, 7/16 in. rad		3	
19	A	7BD	2520-99-831-9909	...SHAFT, SHOULDERED, steel, 4 splined dia, 562 mm o/a lg	MKA62601	1	
20	A	6MT10	5315-99-838-6223	...PIN, STRAIGHT, HEADLESS, steel, 5/32 in. dia x 3/8 in. lg	CKD63523	1	
21	A	6MT7	3110-99-801-7498	...BEARING, TAPERED ROLLER		1	
22	A	7BD	3120-99-831-9925	...WASHER, THRUST, steel, 1-1/2 in. id x 2-47/64 in. od x 9/32 in. thk	MKC62285	1	
23	A	6MT7	3110-99-831-9906	...ROLLER ASSEMBLY, JOURNAL BEARING, single row, 45 mm id x 53 mm od x 28 mm w		1	

157

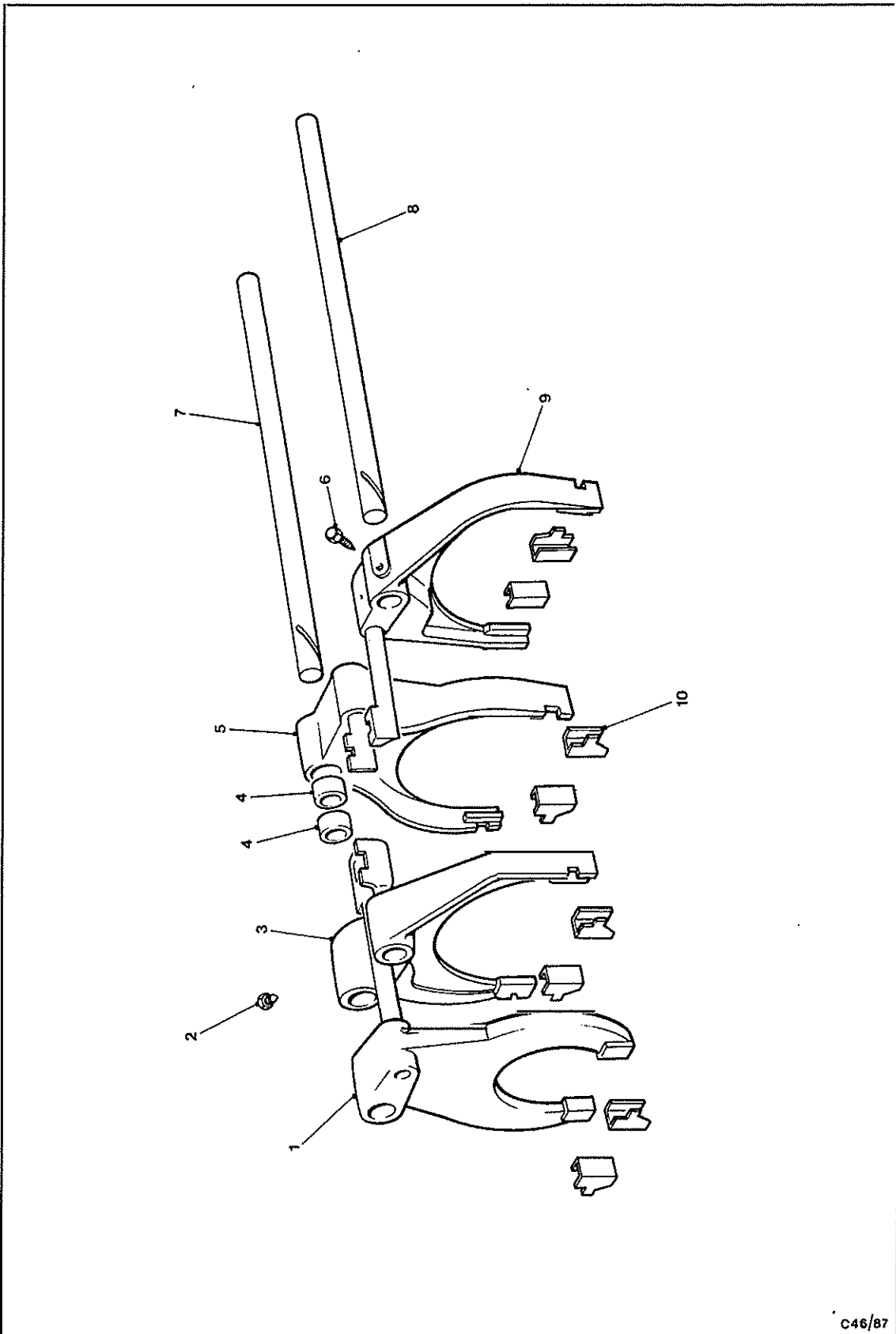


Chap 2-5

Fig 3 Countershaft and gears

FIG ITEM	MAN CODE NAVY - N ARMY - A RAF - R	NATO STOCK NUMBER	ITEM NAME AND DESCRIPTION	PART NO./ DRAWING NO.	NO. OFF	ANNOTATIONS
Fig 3						
24	A 7BD	3040-99-831-9926	TRANSMISSION - contd .GEARBOX, MECHANICAL - contd ..COUNTERSHAFT AND GEARS - contd ...GEARSHAFT, HELICAL, steel, 8-17/32 in. od, 2-3/32 in. id x 1-21/64 in. lg; w/ext splined boss	MKB60814 MKC61299	1 1	
25	A 7BD	2520-99-831-9924	...SHIFT HUB, REVERSE GEAR		1	
26	A 6MT1	5365-99-832-1998	...RING, RETAINING, steel, ext, for 55 mm dia shaft, 2 mm thk		1	
27	A 7BD	2520-99-831-9923	...SLEEVE, REVERSE, SHIFT HUB, steel, int and ext splined, 3-1/4 in. od x 2-1/64 in. id x 25/32 in. o/a w	MKA62678	1	
28	A 6MT7	3110-99-827-6834	...ROLLER ASSEMBLY, JOURNAL BEARING, single row, 55 mm id x 63 mm od x 32 mm o/a lg		1	
29	A 7BD	3040-99-831-9922	...GEARSHAFT, HELICAL, steel, 9-13/64 in. od x 2-31/64 in. id x 1-15/32 in. o/a w; w/ext splined boss	MKA60800	1	
30	A 7BD	2520-99-831-9921	...SYNCHRO PACK ASSEMBLY	MKC64158	1	
31	A 7BD	5365-99-832-1997	...RING, RETAINING, steel, ext, 2 piece, 2 mm thk; for 65 mm shaft dia	5107-65	1	
32	A 7BD	2520-99-831-9920	...SLEEVE, SHIFT-HUB, steel, int and ext splined, 3-3/4 in. od x 2-27/64 in. id x 63/64 in. w	MKC62677 91059669	1 1	
33		NP	...SLEEVE, bearing		1	
34	A 6MT7	3110-99-831-9910	...ROLLER ASSEMBLY, JOURNAL BEARING, single row, 70 mm id x 76 mm od x 30 mm w		1	
35	A 7BD	5365-99-831-9918	...SPACER, RING, steel, 70 mm id x 76 mm od x 6 mm w	MKD63885	1	
36	A 7BD	3040-99-831-9919	...GEARSHAFT, HELICAL, steel, 8-1/4 in. od x 3 in. id x 1-25/64 in. o/a w; w/ext splined boss	MKA63884	1	
37	A 7BD	3120-99-831-9916	...WASHER, THRUST, steel, 64 mm id x 90 mm od x 7 mm thk	MKD63887	1	
38	A 6MT7	3110-99-831-9910	...ROLLER ASSEMBLY, JOURNAL BEARING, single row, 70 mm id x 76 mm od x 30 mm w		1	
39	A 7BD	3040-99-831-9915	...GEARSHAFT, HELICAL, steel, 177 mm od x 76 mm id x 41 mm o/a w; w/ext splined boss	MKA62984	1	

159



c46/87

Fig 4 Forks and rods

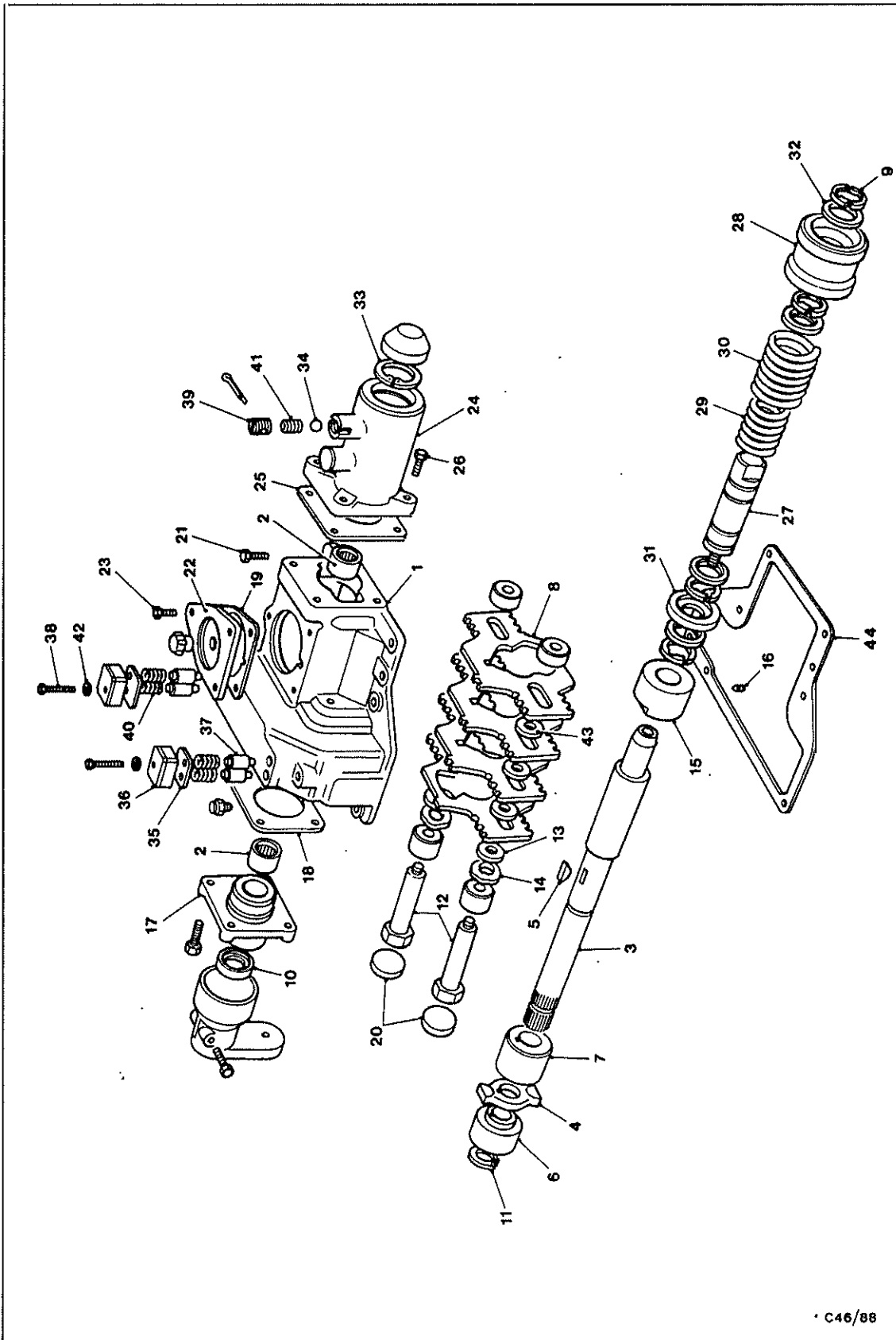
160

178

FIG ITEM	MAN CODE NAVY - N ARMY - A RAF - R	NATO STOCK NUMBER	ITEM NAME AND DESCRIPTION	PART NO./ DRAWING NO.	NO. OFF	ANNOTATIONS
Fig 4			TRANSMISSION - contd .GEARBOX, MECHANICAL - contd ..FORKS AND RODS -			
1	A 7BD	2520-99-832-1616	...FORK, SELECTOR, GEARBOX; c/w shaft, reverse	MKB62622	1	
2	A 6MT10	5305-99-832-4499	...SCREW, LOCK	91053288	1	
3	A 7BD	2520-99-838-2298	...FORK, SELECTOR, GEARBOX, 1st and 2nd gear shaft	91075206	1	
5	A 6MT10	2520-99-838-6227	...FORK, SELECTOR, GEARBOX, 3rd and 4th gear shaft	MKB64796	1	
6	A 6MT10	5305-99-832-4499	...SCREW, LOCK	91053288	1	
7	A 7BD	2520-99-832-1621	...RAIL, shift reverse, 1st, 2nd, 3rd and 4th gears	91059729	1	
8	A 7BD	2520-99-832-1622	...RAIL, shift, 5th and 6th gear	91059730	1	
9	A 7BD	2540-99-838-2288	...FORK, SELECTOR, GEARBOX, 5th and 6th gear shaft	VM91075208	1	
10	A 6MT10	2520-99-838-6228	...SLIPPER, SHIFT FORK	MKC64889	8	
NI	A 6MT10	2520-99-726-4572	..HOUSING ASSEMBLY, SELECTOR, GEARBOX, 6 speed; direct drive	91118111	1	RHD
NI	A 6MT10	2520-99-726-4571	..HOUSING ASSEMBLY, SELECTOR, GEARBOX, 6 speed; direct drive	91118112	1	LHD

161

176



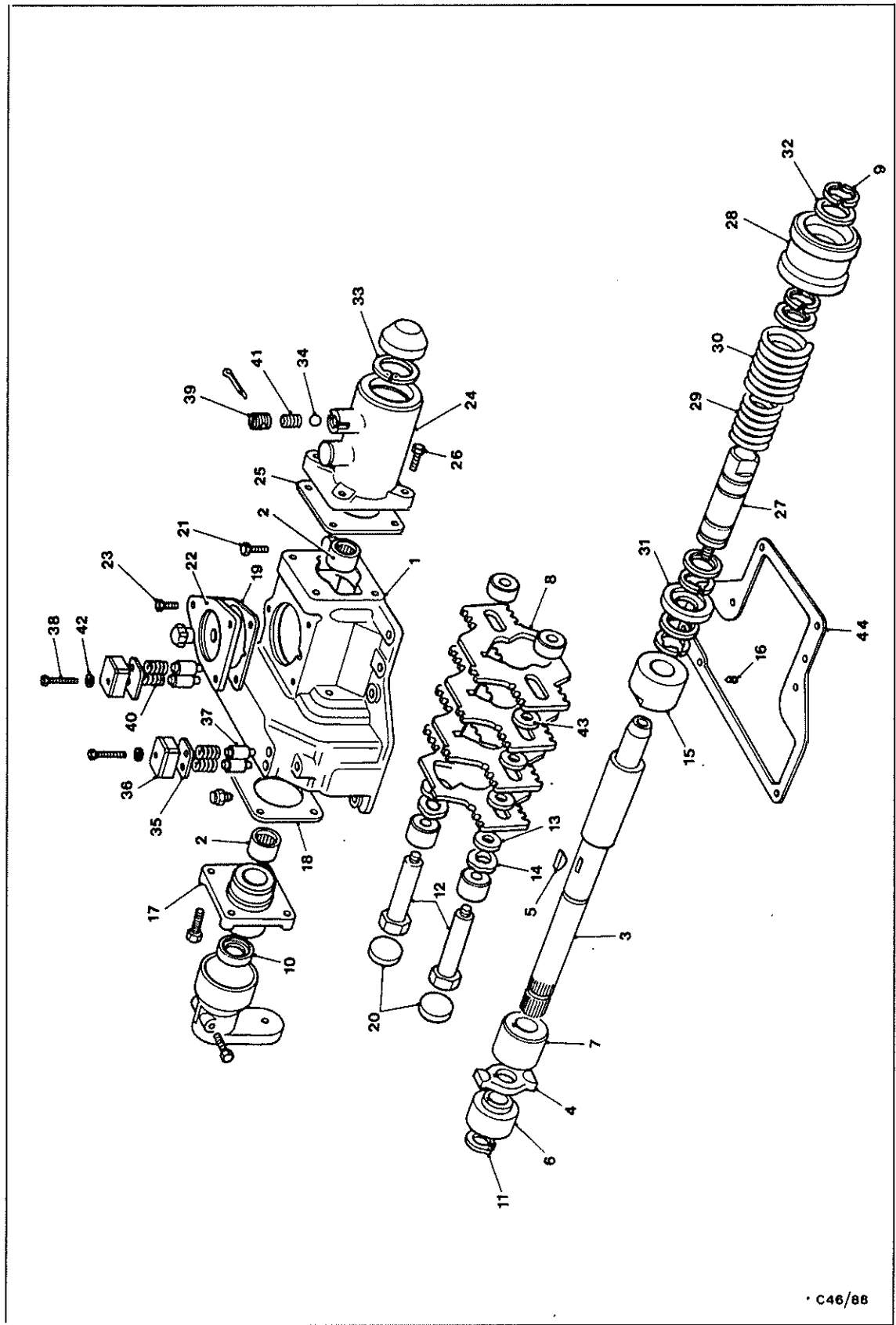
162

Fig5 Gear shift control

122

FIG ITEM	MAN CODE NAVY - N ARMY - A RAF - R	NATO STOCK NUMBER	ITEM NAME AND DESCRIPTION	PART NO./ DRAWING NO.	NO. OFF	ANNOTATIONS
Fig 5			TRANSMISSION - contd			
1		NP	..GEARBOX, MECHANICAL - contd	91059732	1	
2	A	6MT7	..GEAR SHIFT CONTROL - ...HOUSING, SHIFT CONTROL			
3	A	7BD	3110-99-832-1996 ...BEARING, NEEDLE ROLLER, JOURNAL, single row, 22 mm id x 28 mm od x 16 mm w; w/o inner cage		2	
			2520-99-832-1630 ...SHAFT, SHOULDERED, steel, 22 mm min. dia, 30 mm max dia x 321 mm o/a lg	MKB63942	1	RHD
NI	A	7BD	2520-99-832-1631 ...SHAFT, SHOULDERED, steel, 22 mm min. dia, 30 mm max dia x 373.5 mm o/a lg	MKB64225 MKC62568	1	LHD
4	A	7BD	2520-99-832-1633 ...LEVER, STRIKING		1	
5	A	6MT1	5315-99-139-8418 ...KEY, WOODRUFF, steel, 3/16 in. thk x 5/16 in. h		1	
6	A	7BD	2520-99-832-1634 ...INTERLOCK, SHORT, steel, 22 mm id x 48.5 mm od x 27.4 mm lg; w/int keyway	MKC62569	1	
7	A	7BD	2520-99-832-1632 ...INTERLOCK, LONG, steel, 22 mm id x 48.5 mm od x 34.6 mm lg; w/int keyway	MKC62570 MKB62571	1	
8	A	7BD	2520-99-832-1625 ...SELECTOR PLATE		4	
9	A	6MT1	5365-99-838-6240 ...RING, RETAINING, steel, ext, for 22 mm dia shaft		4	
10	A	6MT1	5330-99-832-1991 ...SEAL, PLAIN, rubber/steel, 22 mm id x 32 mm od x 7 mm w		1	
11	A	6MT1	5365-99-834-9152 ...RING, RETAINING, steel, circlip, ext; for 22 mm dia shaft		1	
12	A	7BD	5306-99-832-1629 ...BOLT, SHOULDER, steel, hex hd, 15 mm dia shoulder, M10 thd, 79 mm o/a lg	MKC62403	2	
13	A	6MT10	5310-99-838-6230 ...WASHER, FLAT, steel, 15 mm id x 40 mm od x 2 mm thk	MK061356	2	
14	A	G1	5310-99-135-2540 ...WASHER, SPRING, TENSION, steel, 16 mm id x 28 mm od x 2.5 mm thk		2	
15	A	6MT10	2520-99-836-6631 ...CAM, CONTROL; operating reverse switch	MKC65118	1	
16	A	G1	5305-99-977-5182 ...SCREW, GRUB, steel, socket drive, flat point, 5 mm x 8 mm lg		1	
17		NP	...HOUSING, SIDE SHIFT	91059752	1	RHD
NI		NP	...HOUSING, SIDE SHIFT	91059751	1	LHD
18	A	7BD	5330-99-831-9888 ...GASKET, fibre, 8 mtg holes	MKC61326	1	
19	A	7BD	5330-99-831-9890 ...GASKET, fibre, triangular shape, 64 mm dia centre hole; 3 mtg holes	MKC62397	1	
20	A	7BD	5340-99-832-1626 ...PLUG, EXPANSION, steel, 1-3/8 in. nom dia	TS365V	2	
21	A	G1	5305-99-977-5948 ...SCREW, SELF-LOCKING, ISO metric, steel, hex hd, 8 mm - 1.25 mm pitch x 20 mm lg		6	
22		NP	...PLATE: reverse switch and control housing	91059756	1	
23	A	G1	5305-99-122-8585 ...SCREW, MACHINE, ISO metric, steel, hex hd, 8 mm - 1.25 mm pitch x 20 mm lg		3	
24		6MT10	2520-99-536-6629 ...HOUSING, BULK SPRING AND BEARING	91082806	1	RHD
NI		NP	...HOUSING, BULK SPRING AND BEARING	91082805	1	LHD
25	A	7BD	5330-99-831-9889 ...GASKET, asbestos, 80 mm sq, 67 mm dia centre hole; 4 mtg holes	MKC61352	1	

163



164

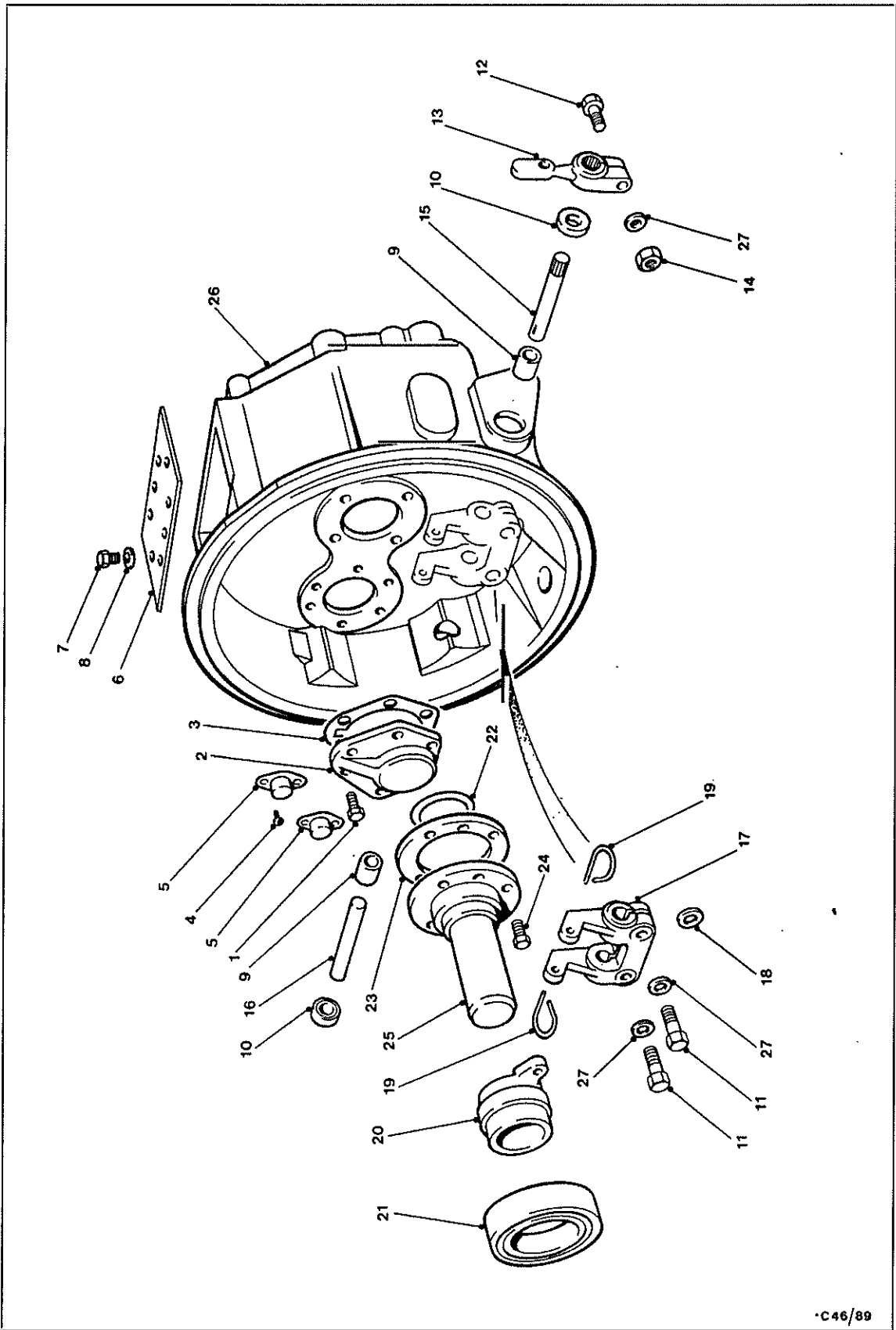
Fig5 Gear shift control

Fig 6

FIG ITEM	MAN CODE NAVY - N ARMY - A RAF - R	NATO STOCK NUMBER	ITEM NAME AND DESCRIPTION	PART NO./ DRAWING NO.	NO. OFF	ANNOTATIONS
Fig 5			TRANSMISSION - contd .GEARBOX, MECHANICAL - contd ..GEAR SHIFT CONTROL - contd			
26	A G1	5305-99-122-8585	...SCREW, MACHINE, ISO metric, steel, hex hd, 8 mm - 1.25 mm pitch x 20 mm lg		4	
27	A 6MT10	2520-99-838-6231	...SHAFT, STRAIGHT, steel, 22 mm od x 101 mm o/a lg, M12 - 1.25 mm thd one end	MKC64673 91082809	1	
28	6MT10	2520-99-836-6628	...SPOOL, BAULK		1	
29	A 6MT10	5360-99-838-6232	...SPRING, HELICAL, COMPRESSION, steel, 1-3/16 in. od x 2-13/32 in. free lg; 8 total coils	MKC64930	1	Inner baulk spring
30	A 6MT10	5360-99-838-6233	...SPRING, HELICAL, COMPRESSION, steel, 1-11/16 in. od x 3-1/8 in. free lg; 7 total coils	MKC64761	1	Outer baulk spring
31	A 6MT10	2520-99-838-6234	...RETAINER, HELICAL COMPRESSION SPRING, steel, 29.5 mm id x 44.6 mm od x 5 mm thk	MKC64672	1	RHD
NI	A 6MT10	2520-99-838-6242	...RETAINER, HELICAL COMPRESSION SPRING: baulk spring	MKC65018	1	LHD
32	A 6MT10	2520-99-838-6235	...RETAINER, HELICAL COMPRESSION SPRING, steel, 22.5 mm id x 32 mm od x 3 mm thk	MKC64671	4	
33	A 6MT1	5365-99-838-6236	...RING, RETAINING, steel, int application, for 56 mm bore size		1	
34	A 6MT7	3110-99-950-0573	...BEARING, BALL, steel, 3/8 in. dia		1	
35	A 7ED	5330-99-831-9887	...GASKET, bonded cork, 34 mm lg x 26 mm w x 1.5 mm thk, 2 holes 11 mm dia, 1 hole 7 mm dia	MKD62794 9159738	2	
36		NP	...PLATE, KEEP CONTROL HOUSING		2	
37	A 6MT10	2520-99-838-6237	...PLUNGER, DETENT, steel, tubular, 11 mm od x 36 mm o/a lg	MKC63588	4	
38	A G1	5305-99-122-2350	...SCREW, MACHINE		2	
39	6MT10	2520-99-836-6630	...SCREW, ADJUSTING	91082817	1	
40	A 6MT10	5360-99-205-9547	...SPRING, HELICAL, COMPRESSION, steel, 13/32 in. od x 1-7/16 in. free lg; 11 total coils	206641	4	
41	A 8REBH	5360-99-205-9568	...SPRING, HELICAL, COMPRESSION, steel, 6-1/2 active turns	CKE7602	1	
42	A G1	5310-99-122-6474	...WASHER, FLAT, steel, 6 mm id x 12.5 mm od x 1.6 mm thk		2	
43	A 6MT1	5310-99-832-1995	...WASHER, FLAT, plastics, 16 mm id x 30 mm od x 1.5 mm thk		6	

165

185



Chup 2 - 5

Fig 6 Clutch release mechanism

•C46/89

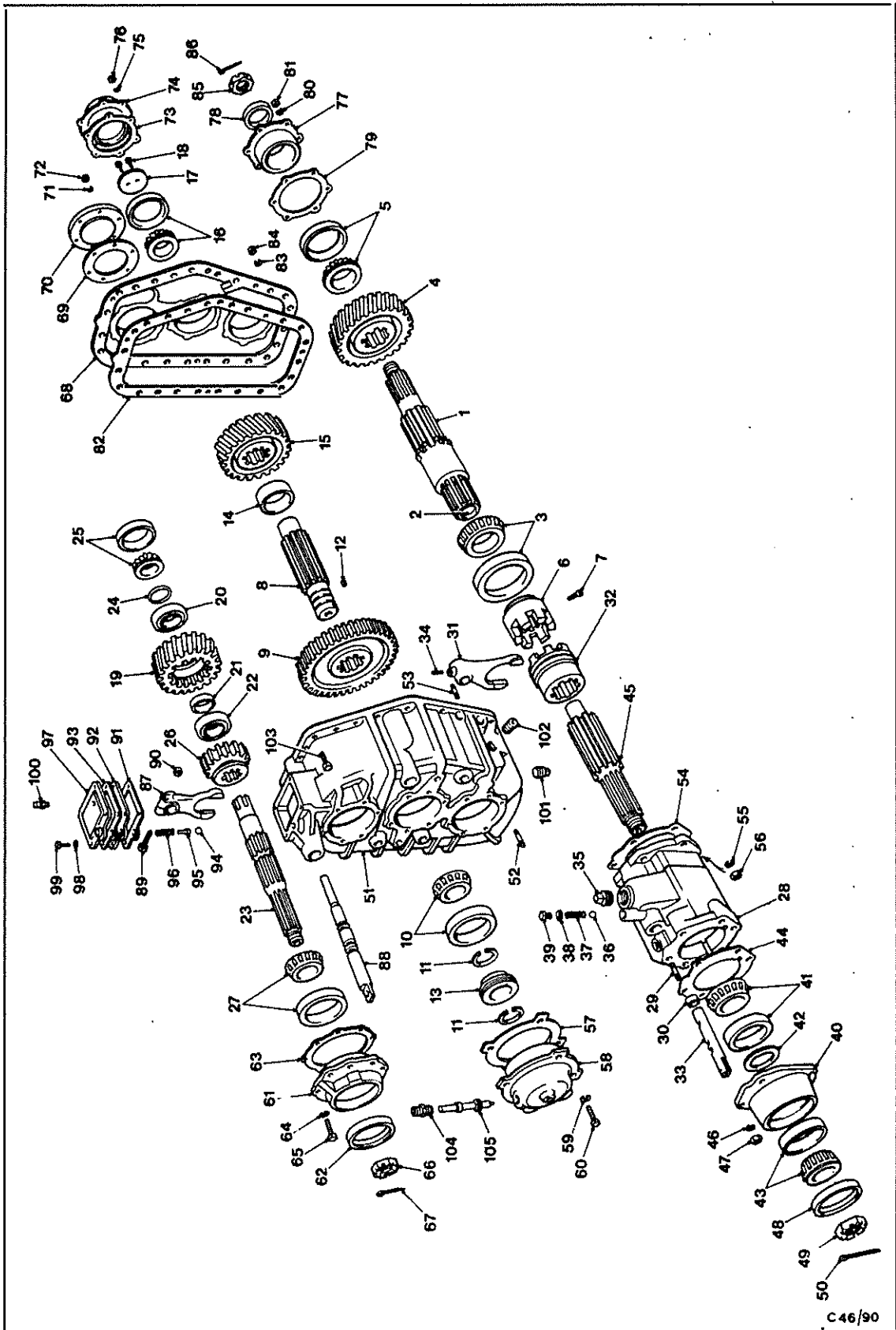
166

FIG ITEM	MAN CODE NAVY - N ARMY - A RAF - R	NATO STOCK NUMBER	ITEM NAME AND DESCRIPTION	PART NO./ DRAWING NO.	NO. OFF	ANNOTATIONS
Fig 6			TRANSMISSION - contd			
1		NP	..GEARBOX, MECHANICAL - contd			
3		NP	..CLUTCH RELEASE MECHANISM -			
5	A	7BD	...SCREW, MACHINE	91059647	6	
7	A	6MT10	...GASKET	91053490	1	
8	A	6MT10	...CAP, FRONT, CASE	91109397	2	
9	A	6MT10	...SCREW, MACHINE	91059656	AR	
10	A	7BD	...WASHER, FLAT	91059657	AR	
			...BEARING, SLEEVE	91071769	2	
			...SEAL, PLAIN, rubber/steel, 1 in. id x 1-3/4 in. od x 3/8 in. w	91059621	2	
11	A	G1	...BOLT, MACHINE, ISO metric, steel, hex hd, 12 mm - 1.75 mm pitch x 40 mm lg		2	Pinch bolt
13	A	7BD	...ARM, CLUTCH RELEASE, steel, 63 mm c to c, 10 mm id eye 1st end, split eye w/20 splines 2nd end	9967848	1	
15	A	7BD	...SHAFT, STRAIGHT, steel, 25.4 mm dia x 200 mm lg; w/keyway at one end	MKC63558	1	Short
16	A	7BD	...SHAFT, STRAIGHT, steel, 25.4 mm dia x 240 mm lg; w/keyway at one end	MKC63557	1	Long
17	A	7BD	...FORK, CLUTCH OPERATING	MKB62861	1	
18	A	7BD	...KEY, steel, 33/64 in. id x 1-1/8 in. od x 1/4 in. thk	MKD63559	1	
19	A	7BD	...CLIP, RETAINING: clutch release bearing	91019986	2	
20	A	7BD	...CARRIER, CLUTCH RELEASE BEARING	9967862	1	
21	A	6MT7	...BEARING, BALL, JOURNAL, single row, 70 mm id x 112 mm od x 25 mm w		1	
22		NP	...RING, SEALING, TOROIDAL	91059622	1	
23	A	7BD	...GASKET, asbestos, irregular shape, 6 holes, 10 mm dia, 0.20 mm thk	91053490	1	
24		NP	...SCREW, MACHINE	91059647	4	
NI	A	6MT10	...INSERT, CLUTCH HOUSING: reverse idler shaft	91071768	1	

161

FIG ITEM	MAN CODE NAVY - N ARMY - A RAF - R	NATO STOCK NUMBER	ITEM NAME AND DESCRIPTION	PART NO./ DRAWING NO.	NO. OFF	ANNOTATIONS
NI	A 7BD	2520-99-831-8124	TRANSMISSION - contd .TRANSFER GEARBOX	91025415	1	

169



C46/90

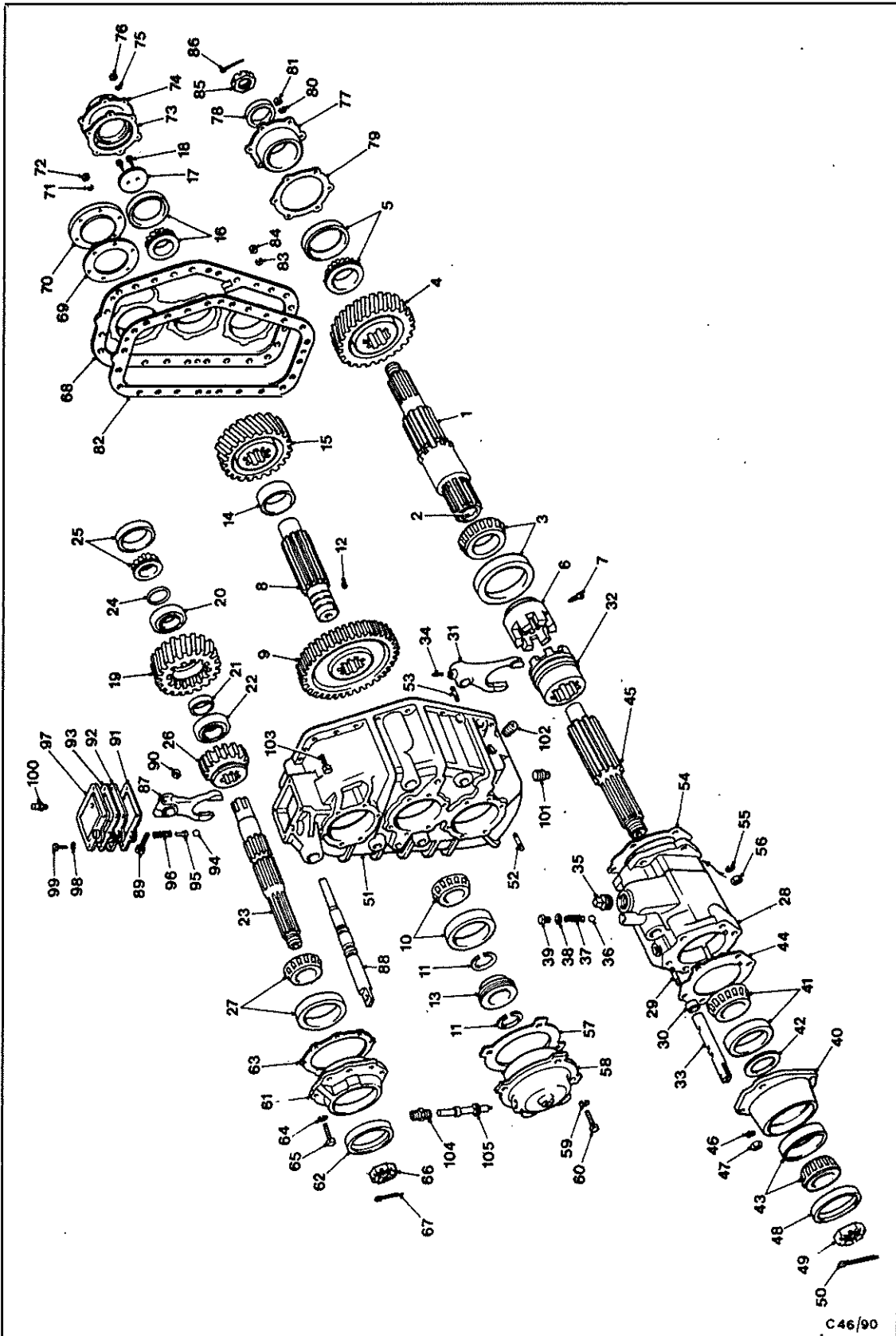
Chap 2-5

Fig 7 Transf r gearbox

ARMY EQUIPMENT
SUPPORT PUBLICATIONS

2320-I-701-711

FIG ITEM	MAN CODE NAVY - N ARMY - A RAF - R	NATO STOCK NUMBER	ITEM NAME AND DESCRIPTION	PART NO./ DRAWING NO.	NO. OFF	ANNOTATIONS
Fig 7						
1-10	A	7BD	2520-99-831-8124	TRANSMISSION - contd		
1	A	7BD	2520-99-833-5430	..TRANSFER GEARBOX - contd	91025415	1
2	A	7BD	3120-99-833-4486	..SHAFT, STRAIGHT: rear axle driving	3880F292	1
3	A	6MT7	3110-99-833-4487	..BUSHING, SLEEVE: drive shaft	1825E57	2
+	A	6MT10	3020-99-743-5402	..BEARING, TAPERED ROLLER, 2-1/4 in. bore x 1-3/16 in. w		1
5	A	6MT7	3110-99-833-4488	..GEAR, HELICAL, steel, 31 teeth, splined bore	3892F4608	1
6	A	7BD	2520-99-833-5417	..BEARING, TAPERED ROLLER, 2 in. bore x 1-7/16 in. w		1
7	A	G1	5305-99-137-0858	..CLUTCH HALF, POSITIVE: declutch driving	2848W23	1
8	A	6MT10	2520-99-752-2572	..SCREW, MACHINE, UNC, steel, socket drive, 3/8 in. x 5/8 in. lg		1
9	A	6MT10	3020-99-743-5403	..SHAFT, SHOULDERED: idler shaft	3880C861	1
10	A	6MT7	3110-99-806-1317	..GEAR, SPUR, steel, 35 teeth, splined bore	3892Q2123	1
11	A	7BD	2520-99-752-2718	..BEARING, TAPERED ROLLER, single row, 2 in. id x 3-5/16 in. od x 5/32 in. w		1
15	A	7BD	3020-99-833-5424	..PARTS KIT, SNAP RING, 2 rings	91086306	1 kit
16	A	6MT7	3110-99-830-9831	..GEAR, SPUR, steel, 32 teeth, splined bore	3982B1770	1
17	A	6MT10	2520-99-758-1391	..BEARING, TAPERED ROLLER, 2 in. bore x 4-1/8 in. od x 1-7/16 in. w		1
18	A	G1	5306-00-834-5901	..LOCK, SHAFT BEARING: idler shaft	S278-1	1
19	A	6MT10	3020-99-743-5405	..CAPSCREW		2
20 & 22	A	6MT7	3110-99-833-4490	..GEAR, HELICAL, steel, 31 ext teeth, 17 int teeth, plain bore	3892F4604	1
23	A	6MT10	2520-99-839-3690	..BEARING, BALL, JOURNAL, 45 mm id x 85 mm od x 19 mm w		1
25	A	6MT7	3110-99-752-2580	..SHAFT, STRAIGHT: main drive shaft	922	1
26	A	6MT10	3020-99-743-5404	..BEARING, TAPERED ROLLER, 1-3/4 in. id x 3-7/8 in. od x 1-3/16 in. w		1
27	A	6MT7	3110-99-833-4488	..GEAR, SPUR, steel, 17 teeth, splined bore	3892M2431	1
29	A	6MT10	2520-99-743-5420	..BEARING, TAPERED ROLLER, 2 in. bore x 1-7/16 in. w		1
30	A	6MT10	5330-99-752-2582	..STUD, PLAIN, steel, 7/16 in. UNF to 7/16 in. UNC, 1-9/16 in. lg	4-x-675	5
31	A	7BD	2520-99-833-5419	..SEAL, PLAIN, ENCASED	1205V1686	1
32	A	7BD	2520-99-833-5416	..FORK, SELECTOR, GEARBOX: declutch shift	2849P94	1
33	A	7BD	2520-99-833-5415	..CLUTCH HALF, POSITIVE: declutch sliding	2848V22	1
34	A	ORD	5305-00-206-0112	..SHAFT, STRAIGHT: rear axle driving	2843F110	1
35	A	6MT10	4730-99-743-5413	..SCREW, MACHINE	91059852	1
36	A	6MT7	3110-99-743-5412	..PLUG, PIPE, 3/4 in. ext thd, sq hd	1850Q43	1
37	A	6MT10	2520-99-752-2594	..BALL, BEARING, steel, 3/8 in. dia	1898-12-70	1
39	A	G1	5305-99-761-2760	..SPRING, HELICAL, COMPRESSION, steel, 10 coils, 23/64 in. od x 2 in. free lg	2858S45	1
40		NP		..SCREW, SELF-LOCKING		1
45	A	7BD	2520-99-833-5421	..HOUSING, BEARING	91059895	1
46	A	G1	5310-99-941-6657	..SHAFT, STRAIGHT: front axle driving	3880G293	1
				..WASHER, LOCK, split helical ring, 7/16 in. id		5



C 46/90

Chap 2-5

Fig 7 Transfer gearbox

FIG ITEM	MAN CODE NAVY - N ARMY - A RAF - R	NATO STOCK NUMBER	ITEM NAME AND DESCRIPTION	PART NO./ DRAWING NO.	NO. OFF	ANNOTATIONS
Fig 7			.TRANSMISSION - contd			
47			.TRANSFER GEARBOX - contd			
48	A	6MT10	5330-99-839-3691 ..NUT, PLAIN, HEXAGON	91059821	5	
49	A	7BD	5310-99-761-7081 ..SEAL, PLAIN, ENCASED	1205U1529	1	
52	A	6MT10	5307-99-756-4049 ..LOCKNUT	91059859	1	
55	A	G1	5310-99-941-6656 ..STUD, PLAIN, steel, 3/8 in. UNF to 3/16 in. UNC, 1-5/8 in. lg	4-X-320	6	
56	A	G1	5310-99-107-2391 ..WASHER, LOCK, steel, split helical ring, 3/8 in. id		6	
58		NP	..NUT, PLAIN, HEXAGON		6	
60			..COVER ASSEMBLY: idler shaft front bearing	91059844	1	
			..CAPSCREW	91059826	AR	
61		NP	..CAGE AND PIN ASSEMBLY: main shaft front bearing	91086231	1	
62	A	6MT10	5330-99-743-5408 ..SEAL, PLAIN, ENCASED	1805X466	1	
65			..CAPSCREW	91059826	6	
66	A	7BD	5310-99-761-7081 ..LOCKNUT	91059859	1	
NI	A	7BD	5310-99-761-7082 ..NUT, SELF-LOCKING	91086270	1	
NI	A	6MT10	5307-99-756-4049 ..STUD, PLAIN, steel, 3/8 in. UNF to 3/16 in. UNC x 1-5/8 in. o/a lg	4-X-320	4)Main shaft)rear)bearing
NI	A	6MT10	5307-00-241-7318 ..STUD, PLAIN	SN714-1	2	
69	A	7BD	2520-99-752-2716 ..PARTS KIT, SHIMS: main shaft bearing	91086277	1	
70		NP	..CAGE, DRIVEN SHAFT REAR BEARING	91059846	1	
71	A	G1	5310-99-941-6656 ..WASHER, LOCK, steel, split helical ring, 3/8 in. id		AR	
72			..NUT, PLAIN, HEXAGON	91059822	1	
73	A	7BD	2520-99-752-2714 ..PARTS KIT, SHIMS: idler shaft bearing cap	91086275	1	
78	A	6MT10	5330-99-839-5691 ..SEAL, PLAIN, ENCASED	1205U1529	1	
79	A	7BD	2520-99-752-2715 ..PARTS KIT, SHIMS: declutch shaft bearing	91086276	1	
82	A	7BD	5330-99-833-5410 ..GASKET: case to cover	2808X154	1	
NI	A	6MT10	5307-99-756-4049 ..STUD, PLAIN, steel, 3/8 in. UNF to 3/16 in. UNC, 1-5/8 in. lg	4-X-320	6	
84	A	6MT10	5315-99-743-5415 ..NUT, PLAIN, HEXAGON	91059821	20	
NI	A	7BD	5310-99-761-7081 ..PIN, TAPERED, PLAIN	1846N352	AR	
85	A	7BD	2520-99-833-5418 ..LOCKNUT	91059859	1	
87			..FORK, SELECTOR, GEARBOX: transfer gearshift	2849R96	1	
88	A	6MT10	2520-99-758-1390 ..SHAFT, STRAIGHT: transfer gearshift	2244B28	1	
NI	A	6MT10	5330-99-743-5409 ..SEAL, PLAIN, ENCASED, 7/8 in. shaft dia	1805Z26	1	
89	A	G1	5306-99-741-7136 ..BOLT, MACHINE		1	
90	A	G1	5310-99-761-2759 ..NUT, PLAIN, HEXAGON		1	
91	A	ORD	5330-00-353-2626 ..GASKET; transfer shaft cover	2808H216	1	
92		NP	..PLATE, BREATHER	91059888	1	
93	A	ORD	5330-00-353-2626 ..GASKET	2808H216	1	
94	A	6MT7	3110-99-950-0574 ..BALL, BEARING, steel, 7/16 in. dia	RHPXV1Q0	1	
95	A	6MT10	2520-99-758-1387 ..PLUNGER, DETENT: transfer shift lock	2297-Y-4081	1	
96	A	6MT10	2520-99-758-1388 ..SPRING, HELICAL, COMPRESSION: transfer shift lock	2258U671	1	
97		NP	..COVER, GEARSHIFT	91059842	1	
99	A	7BD	5305-99-761-7083 ..SCREW, SOCKET HEAD	91059838	4	
100	A	7BD	2520-99-833-4489 ..BREATHER ASSEMBLY	A1199J166	1	
101	A	6MT10	4730-99-743-5416 ..PLUG, PIPE, MAGNETIC, steel, 1/2 in. thd, sq or hex socket hd	1250U125	1	
103			..BOLT, MACHINE	91059829	20	

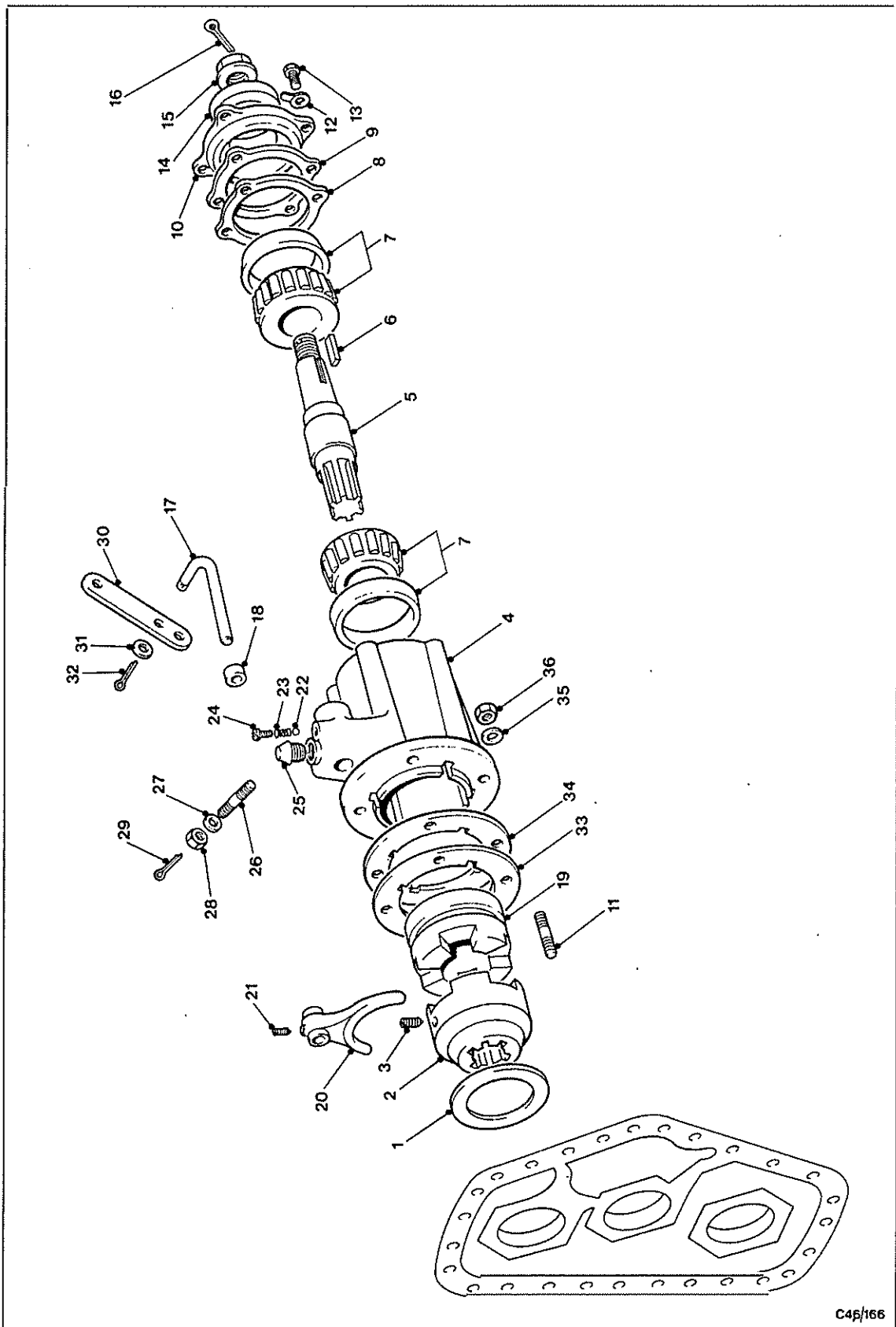
173

十一

...

FIG ITEM	MAN CODE NAVY - N ARMY - A RAF - R	NATO STOCK NUMBER	ITEM NAME AND DESCRIPTION	PART NO./ DRAWING NO.	NO. OFF	ANNOTATIONS
NI			TRANSMISSION - contd			
NI			.TRANSFER GEARBOX - contd			
NI		NP	..FLANGE, INPUT SHAFT	91059824	1	
NI		NP	..FLANGE AND SLINGER ASSEMBLY, FRONT AND REAR OUTPUT SHAFT	91059820	2	
NI	A	6MT10	2520-99-743-5410	2847Z312	2	
NI	A	6MT10	5330-99-743-5408	1805X466	2	
NI	A	6MT10	5330-99-839-3691	1205U1529	2	
NI	A	7BD	5315-99-833-4624	91037320	1	
			..PIN, PIVOT, steel, 20 mm od shoulder x 12.7 mm od x 17 mm lg one end x 9.96 mm od x 17 mm lg other end x 40 mm o/a lg			

175



C45/166

Fig 8 Power take-off

FIG ITEM	MAN CODE NAVY - N ARMY - A RAF - R	NATO STOCK NUMBER	ITEM NAME AND DESCRIPTION	PART NO./ DRAWING NO.	NO. OFF	ANNOTATIONS
Fig 8			TRANSMISSION - contd			
1-32	A	7BD	2520-99-833-4483	..POWER TAKE-OFF, GEARBOX	91059915	1
1	A	6MF10	2520-99-756-7317	..RING, OIL RETAINING	1829T384	1
2	A	6MF10	2520-99-757-0311	..CLUTCH HALF, POSITIVE: driving	2848ES	1
3			..SCREW			1
4	A	6MF10	2520-99-756-4054	..HOUSING, BEARING UNIT	3826P328	1
5	A	6MF10	2520-99-756-4050	..SHAFT, SHOULDERED	3880A1119	1
7	A	6MF7	3110-99-839-7098	..BEARING, TAPERED ROLLER		2
8	A	7BD	2520-99-756-4051	..PARTS KIT, SHIMS, POWER TAKE-OFF	91086238	1
11	A	6MF10	5307-99-756-4049	..STUD, PLAIN, steel, 3/8 in. UNF to 3/16 in. UNC x 1-5/8 in. o/a lg	4X320	4
NI	A	6MF10	5307-00-241-7318	..STUD, PLAIN	SN714-1	2
13	A			..SCREW		4
14	A	6MF10	5330-99-756-4063	..SEAL, PLAIN, ENCASED	1805C159	1
15	A	8REMI	5310-99-822-1766	..NUT, EXTENDED WASHER, HEXAGON	1227O939	1
16	A	G1	5315-99-127-8052	..PIN, COTTER, SPLIT		1
17	A	6MF10	2520-99-756-4065	..SHAFT, GEARSHIFT	2843K427	1
18	A	6MF10	5330-99-756-4064	..SEAL, PLAIN: shift shaft	1805Y415	1
19	A	6MF10	2520-00-615-6763	..CLUTCH HALF, POSITIVE: driven	2848D4	1
20	A	6MF10	2520-99-756-4057	..FORK, SELECTOR, GEARBOX	2849N92	1
21	A	6MF10	5305-00-270-7328	..SETSCREW	26X56	1
22	A	6MF10	3110-99-756-4052	..BALL, BEARING: shift shaft locking	1898H34	1
23	A	6MF10	5360-99-756-7318	..SPRING, HELICAL, COMPRESSION, shift shaft lock	2858T20	1
24	A	6MF10	5306-00-262-9619	..BOLT, MACHINE	3X161	1
28				..NUT		1
NI	A	6MF10	2520-99-756-4067	..PUMP, OIL, CAM DRIVEN	59412	1
NI	A	6MF10	2520-99-756-4068	..ADAPTOR, OIL PUMP: pump to power take-off casing	1898W803	1
NI	A	6MF10	3110-99-743-5412	..BALL, BEARING: check valve	1898R70	2
NI	A			..SCREW		4
NI	A	LV13	5310-00-275-6635	..WASHER, FIAT	2208V204	AR
NI	A	6MF10	5330-00-741-2203	..GASKET: pump to power take-off casing	2808F682	2
NI	A	6MF10	2520-99-756-4071	..PIN, PLUNGER, PUMP: yoke guide	1846X28	2
NI	A	6MF10	5360-99-756-4072	..SPRING, HELICAL, COMPRESSION: ball check valve	2858X102	2
NI	A	6MF10	2520-99-756-4073	..ADAPTOR ASSEMBLY, SWIVEL: intake tube to pump	1898E239	1
NI	A	6MF10	2520-99-755-4063	..ELBOW, PIPE: intake tube to pump	1898I532	1
NI	A	6MF10	2520-99-755-4064	..ELBOW, PIPE: intake tube to case	1898H242	1
NI	A	6MF10	2520-99-756-4074	..NUT, UNION: outlet tube to pump	2206T72	1
NI	A	6MF10	4730-00-014-2433	..INVERTED NUT, UNION PIPE	1898G241	2
NI	A	6MF10	2520-99-755-4065	..NUT, UNION	1898J504	2
NI	A	6MF10	2520-99-755-4066	..TUBE ASSEMBLY: oil pump outlet	3196Z26	1
NI	A	6MF10	2520-99-755-4067	..TUBE ASSEMBLY: oil pump inlet	3196X24	1

157

811

ARMY EQUIPMENT
SUPPORT PUBLICATION

2320-L-701-711

FIG ITEM	MAN CODE NAVY - N ARMY - A RAF - R	NATO STOCK NUMBER	ITEM NAME AND DESCRIPTION	PART NO./ DRAWING NO.	NO. OFF	ANNOTATIONS	
NI	A	6MT10	2520-99-749-1967	TRANSMISSION - contd .SHAFT, PROPELLER: gearbox to transfer box	911050-0620	1	
NI	A	6MT10	2520-99-749-1968	.SHAFT, PROPELLER: transfer box to front axle	911050-4022	1	
NI	A	6MT10	2520-99-749-1969	.SHAFT, PROPELLER: transfer box to rear axle	911511-3014	1	
NI	A	6MT10	2520-99-749-1971	.SHAFT, PROPELLER: transfer box to rear axle	911511-01305	1	u/w tipper
NI	A	6MT10	2520-99-749-1970	.SEAL, PLAIN, rubber/steel, 52 mm id x 85 mm od x 23 mm lg	6.3-86-18	3	
NI	A	6MT10	2520-99-749-1970	.PARTS KIT, UNIVERSAL JOINT; w/ journal bearing and securing screws	5-280X	6	
NI		NP	.PROPELLER SHAFT	91085888	1	Transfer box PTO to hydraulic pump	
NI	A	6MT10	2520-99-821-9869	.PARTS KIT, UNIVERSAL JOINT, 10 items	K51GB194	2	
NI	A	7BD	5306-99-123-3910	.BOLT, MACHINE, UNF, steel, hex hd, 7/16 in. x 1-1/2 in. lg	7095387	4) PTO) flange
NI	A	G1	5310-99-941-7650	.NUT, SELF-LOCKING, HEXAGON, UNF, steel, 7/16 in.		4	
NI	A	G1	5305-99-122-4911	.SCREW, MACHINE, ISO metric, hex hd, 10 mm x 1.50 mm pitch x 30 mm lg		2)
NI	A	G1	5310-99-122-5297	.NUT, PLAIN, HEXAGON, ISO metric, 10 mm		2)
NI	A	G1	5310-99-135-9303	.WASHER, LOCK, steel, split helical ring, 10 mm		2) Hydraulic pump
NI	A	G1	5306-99-941-0313	.BOLT, MACHINE, UNF, steel, hex hd, 3/8 in. x 1-1/2 in. lg		2) bracket
NI	A	7BD	5310-99-818-6156	.NUT, PLAIN, HEXAGON, steel, 3/8 in.	120369	4) to chassis
NI	A	G1	5310-99-135-2066	.WASHER, LOCK, steel, split helical ring, 3/8 in.		4)

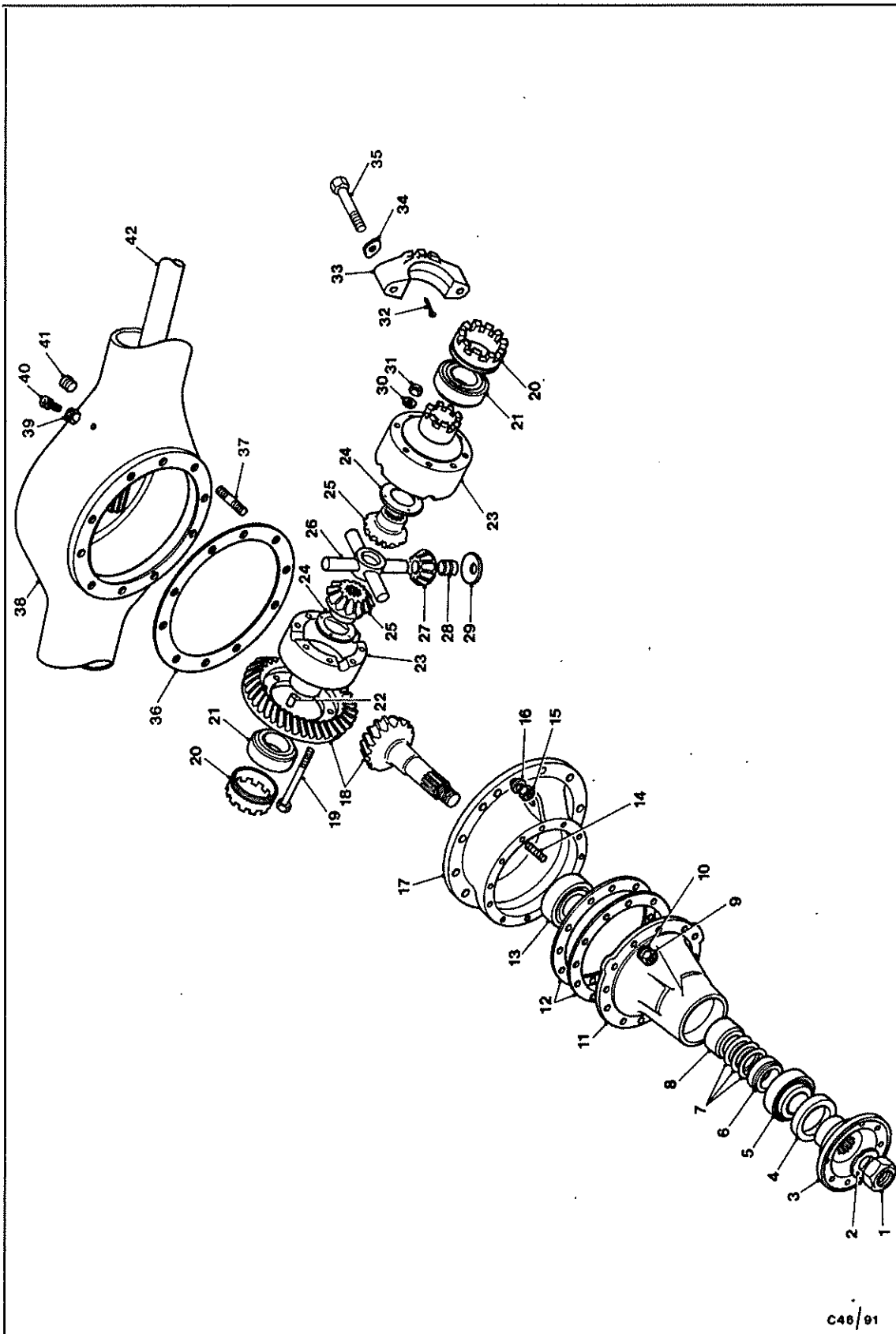
179

081

FIG ITEM	MAN CODE NAVY - N ARMY - A RAF - R	NATO STOCK NUMBER	ITEM NAME AND DESCRIPTION	PART NO./ DRAWING NO.	NO. OFF	ANNOTATIONS
NI	A 7HD	2520-99-838-4221	TRANSMISSION - contd .AXLE ASSEMBLY, AUTOMOTIVE, DRIVING, front, 5.887: 1 ratio; RHD	91071015	1	To CH No. LW700290
NI	A 7BD	2520-99-838-0830	.AXLE ASSEMBLY, AUTOMOTIVE DRIVING, front, 5.887: 1 ratio; RHD	91071014	1	}Alter- natives }CH No. }LW700291 }onwards
NI	A 7HD	2520-99-838-4222	.AXLE ASSEMBLY, AUTOMOTIVE DRIVING, front, 5.887: 1 ratio; RHD	91079826	1	
NI	A 7BD	2520-99-838-4220	.AXLE ASSEMBLY, AUTOMOTIVE DRIVING, front, 5.887: 1 ratio; LHD	91079827	1	Ch No. LW700291 onwards

181

171



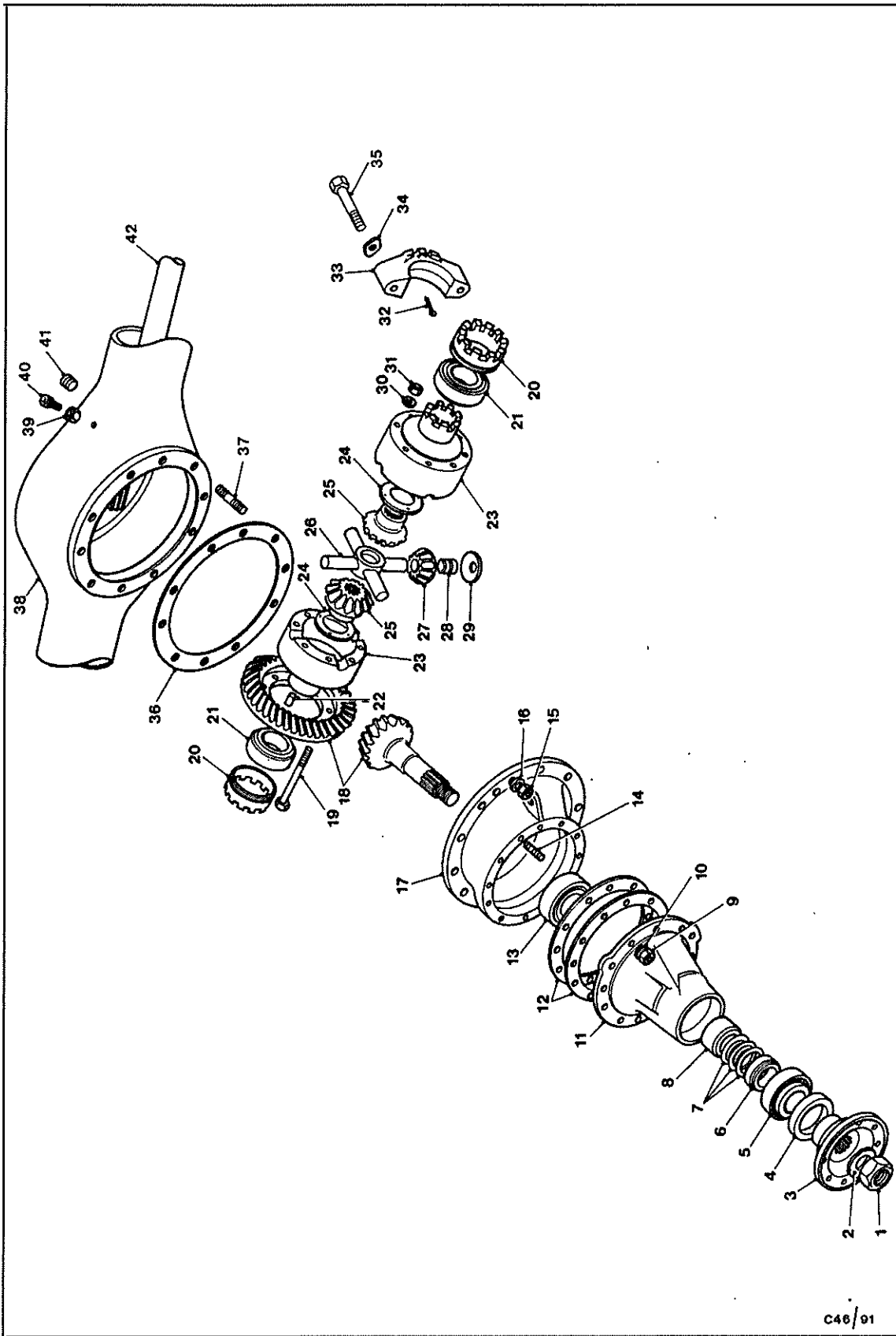
Chap 2 - 5

Fig 9 Diff r ntial and housings-fr nt

C46/91

182

FIG ITEM	MAN CODE NAVY - N ARMY - A RAF - R	NATO STOCK NUMBER	ITEM NAME AND DESCRIPTION	PART NO./ DRAWING NO.	NO. OFF	ANNOTATIONS	
Fig 9							
1	A	6MT10	5310-99-139-4348	TRANSMISSION - contd ..AXLE ASSEMBLY, AUTOMOTIVE, DRIVING: front - contd ..FRONT DIFFERENTIAL AND HOUSING - ...NUT, PLAIN, HEXAGON, UNF, steel, 1-1/2 in.	R3754-156	1	
2	A	6MT10	5310-99-139-4349	...WASHER, FLAT, steel, 1-17/32 in. id, 2-3/4 in. od x 7/32 in. thk	SL246-62	1	
3	A	6MT10	2520-99-838-6017	...FLANGE, COMPANION, UNIVERSAL JOINT	R8283-95	1	
4	A	6MT1	5330-99-830-5108	...SEAL, PLAIN, ENCASED, rubber/ steel, 2-3/4 in. id x 4-1/4 in. od x 1/2 in. w		1	
5	A	6MT7	3110-99-830-9831	...BEARING, TAPERED ROLLER, 2 in. id x 4-1/8 in. od x 1-7/16 in. thk		1	
6			NP	...SPACER, PINION BEARING OUTER,	91060018	1	
7	A	6MT10	5365-99-830-5110	...SHIM, steel, 2-1/32 in. id x 2-3/4 in. od x 0.002 in. thk	2657-119A	}	AR
NI	A	6MT10	5365-99-830-5111	...SHIM, steel, 2-1/32 in. id x 2-3/4 in. od x 0.005 in. thk	2657-119B		
NI	A	6MT10	5365-99-830-5112	...SHIM, steel, 2-1/32 in. id x 2-3/4 in. od x 0.010 in. thk	2657-119C		
NI	A	6MT10	5365-99-830-5113	...SHIM, steel, 2-1/32 in. id x 2-3/4 in. od x 0.015 in. thk	2657-119D		
8			NP	...SPACER, INNER BEARING	91060017	1	
9	A	G1	5310-99-136-1517	...NUT, PLAIN, HEXAGON, UNF, steel, 7/16 in.		12	
10	A	G1	5310-99-941-6657	...WASHER, LOCK, steel, split helical ring, 7/16 in. id		12	
11			NP	...HOUSING, BEVEL PINION	R3754/32	1	
12	A	6MT10	5365-99-830-5116	...SHIM, plastics, 8-15/16 in. id x 10-3/4 in. od x 0.008 in. thk	R3755-119A	}	AR
NI	A	6MT10	5365-99-830-5117	...SHIM, plastics, 8-15/16 in. id x 10-3/4 in. od x 0.010 in. thk	R3755-119B		
NI	A	6MT10	5365-99-830-5118	...SHIM, plastics, 8-15/16 in. id x 10-3/4 in. od x 0.015 in. thk	R3755-119C		
NI	A	6MT10	5365-99-830-5119	...SHIM, plastics, 8-15/16 in. id x 10-3/4 in. od x 0.020 in. thk	R3755-119D		
13	A	6MT7	3110-99-830-9832	...BEARING, TAPERED ROLLER, 2-1/2 in. id x 5 in. od x 1-7/16 in. w		1	
14	A	6MT10	5307-99-139-4350	...STUD, PLAIN, steel, 7/16 in. UNF both ends x 1-5/8 in. lg	SL785-22	12	
15	A	G1	5310-99-136-1517	...NUT, PLAIN, HEXAGON, UNF, steel, 7/16 in.		}	AR
16	A	G1	5810-99-120-8698	...WASHER, LOCK, steel, split helical ring, 7/16 in. id			
17			NP	...CASING ASSEMBLY DIFFERENTIAL	91060007	1	
18-35	A	6MT10	2520-99-838-6889	...DIFFERENTIAL, DRIVING AXLE	19968-0153	1	
18	A	6MT10	3020-99-830-5146GEAR SET, BEVEL MATCHED, crown wheel and pinion	PR3762-1	1	
19	A	G1	5306-99-139-4353BOLT, MACHINE		8	
20	A	6MT10	2530-99-830-5123NUT, ADJUSTING, DIFFERENTIAL	R3754-34	2	
21	A	6MT7	3110-99-806-1073BEARING, TAPERED ROLLER, 2-7/8 in id x 4-7/16 in. od x 1 in. w		2	
22	A	6MT10	5315-99-830-5130PIN, STRAIGHT, HEADLESS, steel, 5/8 in. dia x 1-1/4 in. lg	SL309-7	2	



Chap 2-5

Fig 9 Diff r ntial and h usings-front

c46/91

1814

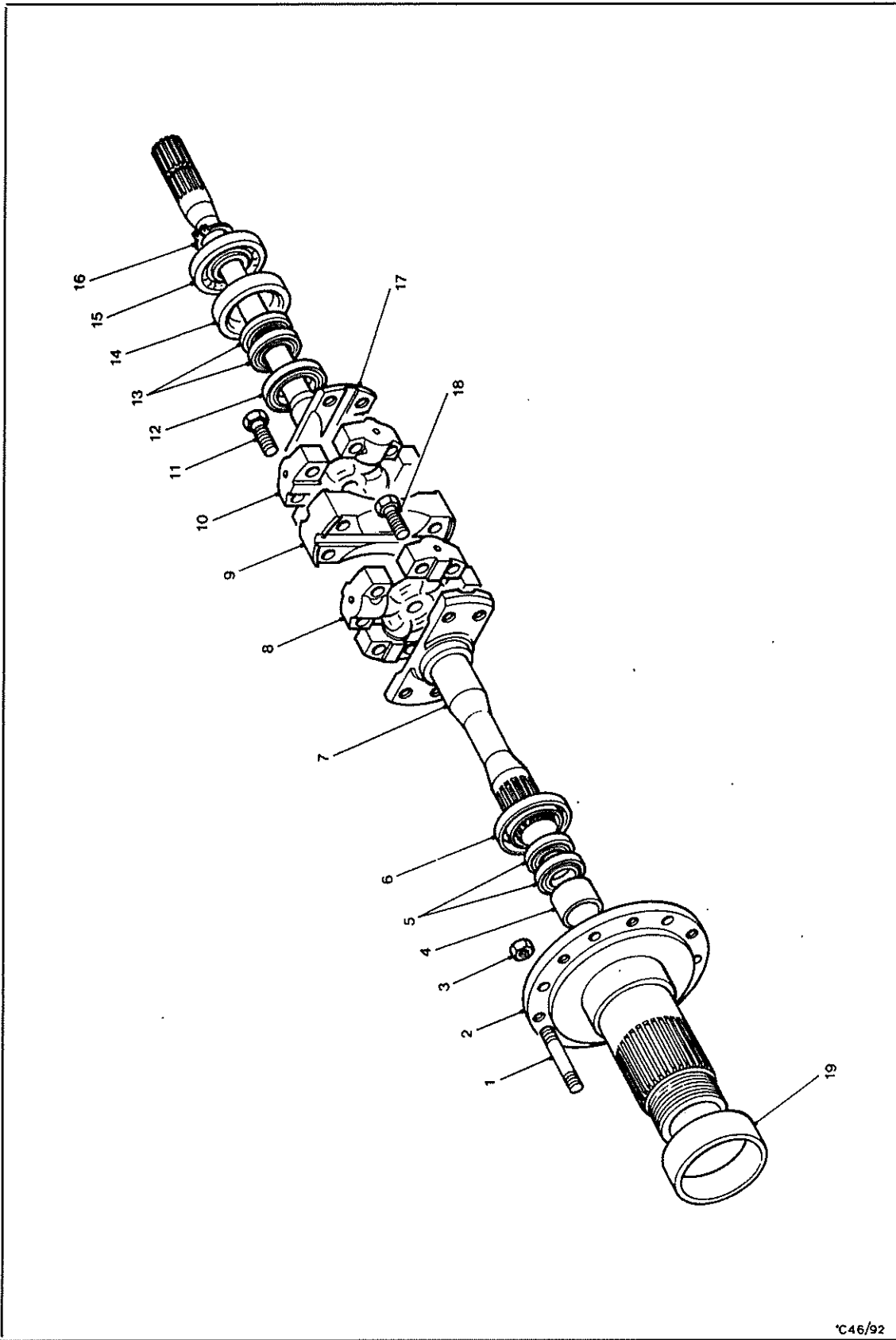
250

FIG ITEM	MAN CODE NAVY - N ARMY - A RAF - R	NATO STOCK NUMBER	ITEM NAME AND DESCRIPTION	PART NO./ DRAWING NO.	NO. OFF	ANNOTATIONS
Fig 9			TRANSMISSION - contd .AXLE ASSEMBLY, AUTOMOTIVE, DRIVING: front - contd ..FRONT DIFFERENTIAL AND HOUSING - contd ...DIFFERENTIAL, DRIVING AXLE - contd			
23		NPCASE, FRONT AXLE DIFFERENTIAL	91075496	1	
24	A	6MT10 3120-99-830-5129WASHER, THRUST, phosphor bronze, 2-3/8 in. id x 3-3/4 in. od x 7/16 in. thk; w/4 mtg holes	R3846	2	
25	A	6MT10 3020-99-830-5125GEAR, BEVEL	2454-24	2	
26	A	6MT10 2520-99-838-6023SPIDER, DIFFERENTIAL	R3760-5	1	
27-28	A	6MT10 3020-99-830-5127GEAR, BEVEL	2015-23A	4	
28	A	W17 2520-99-202-9088BUSHING, SLEEVE	2015-54	1	
29	A	W17 3120-99-202-9087WASHER, THRUST	2252-17	4	
30	A	6MT10 5310-99-139-4352WASHER, FLAT, steel, 5/8 in.id x 1-1/8 in. od x 1/8 in. thk	SL238-7	8	
31	A	G1 5310-99-139-4351NUT, SELF-LOCKING, HEXAGON		8	
32	A	G1 5315-99-138-2211PIN, COTTER, SPLIT, steel, 4 mm dia x 50 mm lg		2	
34	A	6MT10 5310-99-139-4352WASHER, FLAT, steel, 5/8 in.id x 1-1/8 in. od x 1/8 in. thk	SL238-7	4	
35		NPBOLT, MACHINE	R8323-184	4	
36	A	6MT10 5330-99-830-5122	...GASKET, paper, 12-1/8 in. id x 14-1/8 in. od, 0.009 in. thk; 24 mtg holes		1	
37	A	6MT10 5307-99-139-4354	...STUD, PLAIN, steel, 7/16 in.UNF both ends, 2 in. o/a lg	SL785-65	AR	
38		NP	...HOUSING, FRONT AXLE	91060098	1	
40	A	6MT10 4820-99-835-0416	...VALVE, SAFETY-RELIEF, 15 psi relief pressure	2955-23	1	
41	A	6MT10 4730-99-830-5131	...PLUG, PIPE, steel, hex socket hd, 3/4 in. NPTF male thd	2690-22H	1	Filler and level
42	A	6MT10 2520-99-830-5132	...SHAFT, AXLE, AUTOMOTIVE, inner, steel, 28-13/32 in. o/a lg	7609-120A	2	
NI	A	6MT10 2520-99-828-4472	...PLUG, MAGNETIC	R3934-22H	1	Drain Shaft retaining bolts
NI	A	6MT10 5305-99-830-4634	...SCREW, SET, UNF, steel, sq hd, flat point, 1/2 in. x 2-5/16 in. lg	7607-129	6	
NI	A	G1 5310-99-941-0818	...NUT, PLAIN, HEXAGON, UNF, steel, 3/4 in.		6	Locknut
NI	A	6MT1 4730-99-942-7808	...LUBRICATING NIPPLE, steel, 1/8 in. BSP male thd		2	Universal joint oil seal

185

207

188



Chap 2-5

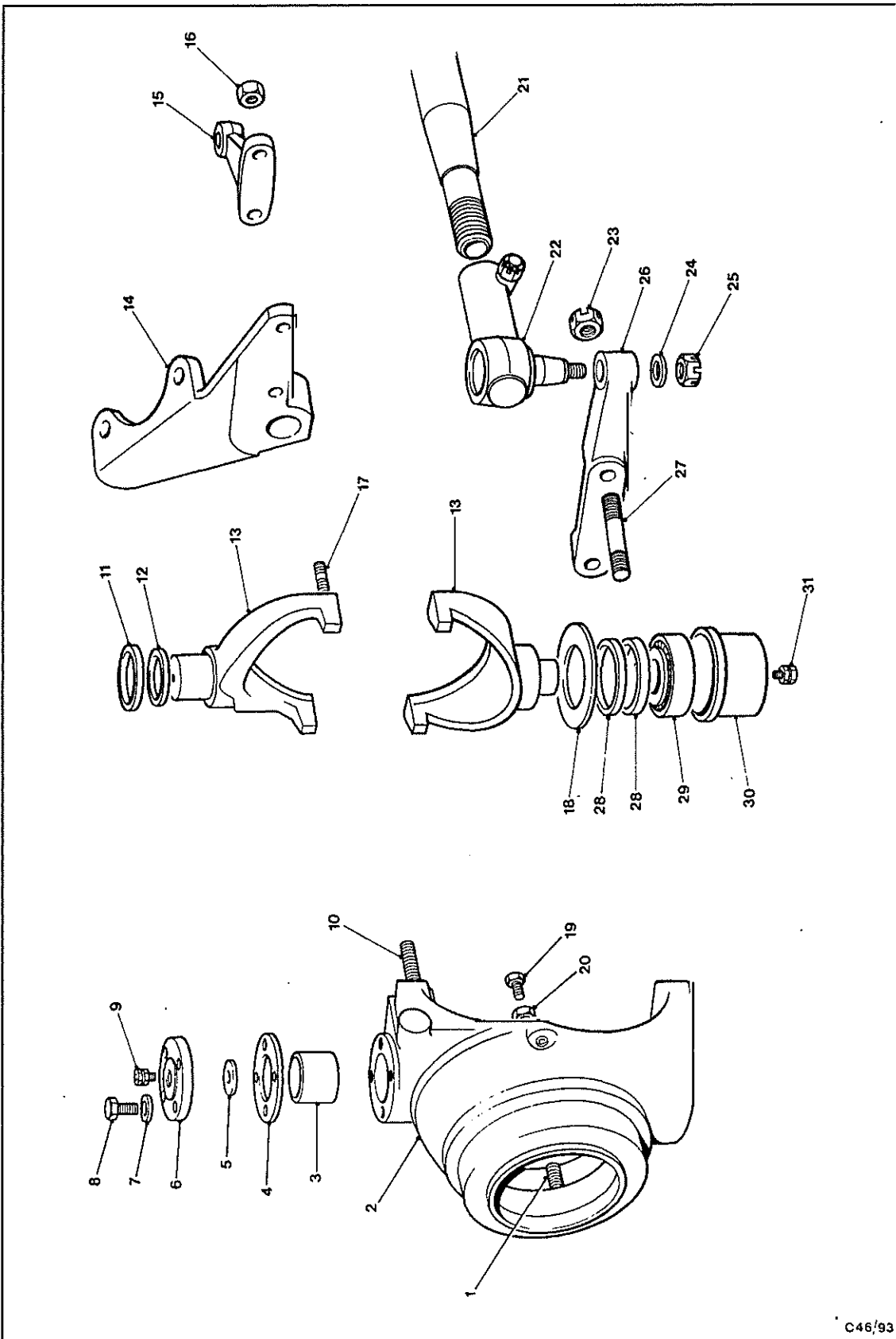
Fig 10 Drive shaft and hub - front

'C46/92

FIG ITEM	MAN CODE NAVY - N ARMY - A RAF - R	NATO STOCK NUMBER	ITEM NAME AND DESCRIPTION	PART NO./ DRAWING NO.	NO. OFF	ANNOTATIONS
Fig 10			TRANSMISSION - contd .AXLE ASSEMBLY, AUTOMOTIVE, DRIVING: front - contd ..DRIVE SHAFTS -			
1	A	6MT10	5307-99-977-1683 ...STUD, PLAIN, steel, 1/2 in. UNF both ends x 3-7/8 in. lg	SL785-77	14	
NI	A	6MT10	5307-99-977-1684 ...STUD, PLAIN, steel, 1/2 in. UNF both ends x 3-5/8 in. lg	SL785-78	2	
2	A	6MT10	2530-99-830-4615 ...AXLE, STUB	7644-2	2	
3		NP	...NUT, HEXAGON, UNF, steel, 1/2 in.	91060079	14	For long stud
4	A	6MT10	3120-99-830-4616 ...BEARING, SLEEVE, bronze/steel, 1-3/4 in. id x 1-15/16 in. od x 1-1/2 in. lg	7305-53	4	
5	A	6MT1	5330-99-828-7239 ...SEAL, PLAIN, ENCASED, rubber, 1-3/4 in. id x 2-3/8 in. od x 5/16 in. w	9281-187 7607-97	4 2	
6	A	6MT10	2520-99-830-4628 ...EXCLUDER, DUST	7609-122	2	
7	A	6MT10	3020-99-830-4624 ...SHAFT, SHOULDERED: outer	7611F	2	
8	A	6MT10	2530-99-830-4602 ...SPIDER, UNIVERSAL JOINT	7609-121	2	
9	A	6MT10	2530-99-830-4627 ...YOKE, UNIVERSAL JOINT	7611F	2	
10	A	6MT10	2530-99-830-4602 ...SPIDER, UNIVERSAL JOINT			
11	A	6MT10	5306-99-139-4359 ...BOLT, MACHINE, UNF, steel, hex hd, 1/2 in. x 2-1/8 in. lg	91060054	AR	
12	A	6MT10	2520-99-830-4628 ...EXCLUDER, DUST	7607-97	2	
13	A	6MT1	5330-99-915-5469 ...SEAL, PLAIN, rubber, 2-1/8 in. id x 2-7/8 in. od x 3/8 in. w	91060077	4 6 6	
NI	A	6MT10	5305-99-830-4634 ...SCREW, SET			
NI	A	G1	5310-99-941-0818 ...NUT, PLAIN, HEXAGON			
15	A	6MT7	3110-99-942-5751 ...BEARING, BALL, JOURNAL, single row, 45 mm id x 100 mm od x 25 mm w		2	
16	A	6MT1	5365-99-910-8207 ...RING, RETAINING, steel, ext, for 1-3/4 in. dia shaft		2	
17	A	6MT10	2520-99-830-5132 ...SHAFT, AXLE, AUTOMOTIVE, inner, steel, 28-13/32 in. o/a lg	7609-120A	2	
18	A	6MT10	5306-99-139-4359 ...BOLT, MACHINE, UNF, steel, hex hd, 1/2 in. x 2-1/8 in. lg	91060054	AR	
19	A	6MT10	2530-99-830-4617 ...SLEEVE, WEARING, steel, 4-1/2 in. od x 1-3/8 in. lg	9392719	2	
NI	A	6MT10	5365-99-830-5110 ...SHIM, steel, 2-1/32 in. id x 2-3/4 in. od x 0.002 in. thk	2657-119A	4	

187

21



Chap 2-5

Fig 11 Steering hub. Front

C46/93

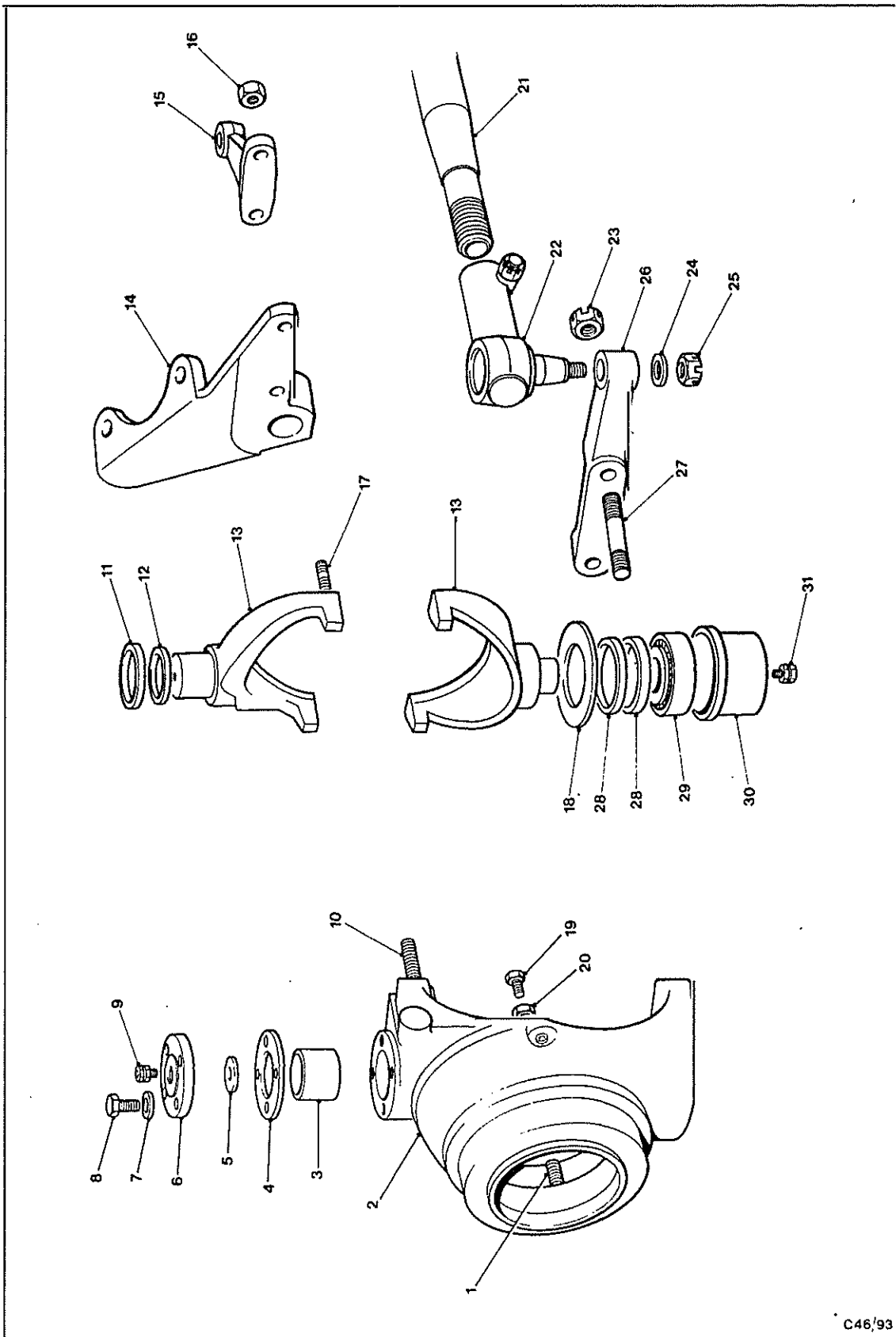
168

2020

FIG ITEM	MAN CODE NAVY - N ARMY - A RAF - R	NATO STOCK NUMBER	ITEM NAME AND DESCRIPTION	PART NO./ DRAWING NO.	NO. OFF	ANNOTATIONS
Fig 11			TRANSMISSION - contd ..AXLE ASSEMBLY, AUTOMOTIVE, DRIVING: front-contd ..STEERING HUB -			
1	A	6MT10	5307-99-139-4360 ...STUD, PLAIN, steel, 1/2 in. UNF both ends, 1-7/8 in. o/a lg	SL785-60	16	
NI	A	G1	5310-99-808-3554 ...NUT, SELF-LOCKING HEXAGON, UNF, steel, 1/2 in.		16	
2	A	6MT10	2530-99-748-0430 ...SWIVEL JAW, STEERING GEAR	7887-3	1	Lh
NI	A	6MT10	2530-99-748-0431 ...SWIVEL JAW, STEERING GEAR	7887-3A	1	Rh
3	A	6MT10	3120-99-830-4612 ...BEARING, SLEEVE, phosphor bronze, 2-1/4 in. id x 2-33/64 in. od x 2-1/8 in. lg; w/int groove	7609-19	2	
4	A	6MT10	5365-99-830-4637 ...SHIM, steel, 4 mtg holes, 2-1/4 in. id x 4-1/4 in. od x 0.008 in. thk	7607-119A	}	}AR
NI	A	6MT10	5365-99-830-4638 ...SHIM, steel, 4 mtg holes, 2-1/4 in. id x 4-1/4 in. od x 0.010 in. thk	7607-119B		
NI	A	6MT10	5365-99-830-4639 ...SHIM, steel, 4 mtg holes, 2-1/4 in. id x 4-1/4 in. od x 0.015 in. thk	7607-119C		
NI	A	6MT10	5365-99-830-4640 ...SHIM, steel, 4 mtg holes, 2-1/4 in. id x 4-1/4 in. od x 0.025 in. thk	7607-119D		
5	A	6MT10	3120-99-830-4636 ...THRUST PLATE, steel, 1/2 in. UNF id x 1-49/64 in. od x 3/16 in. thk; serrated edge	R3854-142	2	
6		NP	...CAP, TOP SWIVEL	91060080	2	
7	A	G1	5310-99-941-6659 ...WASHER, LOCK, steel, split helical ring, 9/16 in. id		8	
8	A	6MT9	5306-99-136-3952 ...BOLT, MACHINE, UNF, steel, hex hd, 1/2 in. x 1-1/4 in. lg	SL555-7	8	
9	A	6MT1	4730-99-801-1230 ...LUBRICATING NIPPLE, brass, hex hd type, 1/4 in. BSP.F		2	
10	A	6MT10	5307-99-977-0955 ...STUD, PLAIN, steel, 3/4 in. UNF both ends x 3-3/8 in. o/a lg	SL778-8	2	Lh
NI	A	6MT10	5307-99-977-0956 ...STUD, PLAIN, steel, 3/4 in. UNF both ends x 2-3/8 in. o/a lg	SL778-16	2	Rh
11	A	6MT10	5330-99-830-4614 ...RETAINER, PACKING, steel, 3 in. id x 3-1/8 in. od x 5/32 in. thk	7607-160	2	
12	A	6MT10	5330-99-830-4613 ...WASHER, FELT, 2-1/2 in. id x 3 in. od x 9/32 in. thk	SL243/209	12	
13	A	6MT10	2530-99-830-4606 ...SWIVEL, STEERING GEAR, upper and lower halves	7609-4A	1	Lh
NI	A	6MT10	2530-99-830-4605 ...SWIVEL, STEERING GEAR, upper and lower halves	7609-4	1	Rh
15	A	6MT9	2530-99-833-2042 ...LEVER, STEERING, TOP	7726-9	1	
16	A	G1	5310-99-136-4298 ...NUT, SLOTTED, HEXAGON, UNF, steel, 3/4 in.		4	
17	A	6MT10	5307-99-139-4361 ...STUD, PLAIN, steel, 5/8 in. UNF both ends x 2-1/2 in. o/a lg	SL785-54	36	
NI	A	G1	5307-99-923-0540 ...NUT, SELF-LOCKING, HEXAGON, UNF, steel, 5/8 in.		36	
18	A	6MT10	2530-99-830-4607 ...EXCLUDER, DUST	R3928-97	2	
19	A	6MT10	2530-99-833-4539 ...SCREW, SWIVEL STOP, UNF, steel, hex hd, 5/8 in. x 1-1/2 in. lg	5911-44	2	
20	A	6MT10	2530-99-833-4540 ...LOCKNUT, SWIVEL STOP SCREW	SL224-8	2	
21	A	6MT9	2530-99-833-2038 ...TIE ROD, STEERING, 40-1/4 in. o/a lg, thd both ends	7770-12	1	

159

200



Chap 2-5

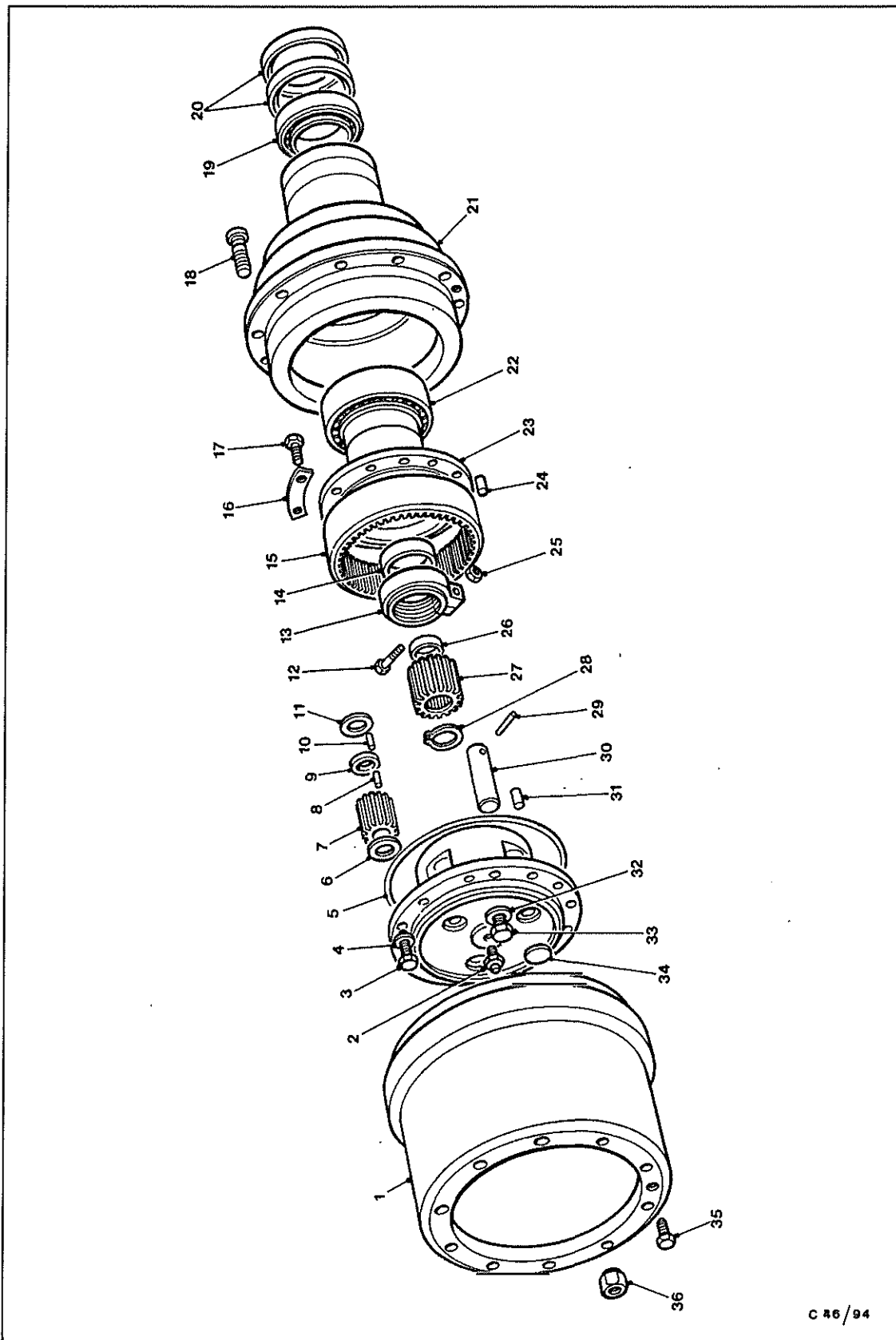
Fig 11 Steering hub. Front

C46/93

FIG ITEM	MAN CODE NAVY - N ARMY - A RAF - R	NATO STOCK NUMBER	ITEM NAME AND DESCRIPTION	PART NO./ DRAWING NO.	NO.		ANNOTATIONS
					OFF		
Fig 11			TRANSMISSION - contd .AXLE ASSEMBLY, AUTOMOTIVE, DRIVING: front - contd ..STEERING HUB - contd				
22	A	6MT9	2530-99-833-2035 ...ROD END, STEERING; c/w ball joint assembly	21891	1		Lh
NI	A	6MT9	2530-99-833-2034 ...ROD END, STEERING; c/w ball joint assembly	21890	1		Rh
23	A	G1	5310-99-977-0886 ...NUT, SELF-LOCKING, HEXAGON, UNF, steel, 3/4 in.		4		
26	A	6MT9	2530-99-833-2040 ...DROP ARM, STEERING: bottom	7745-8A	1		Lh
NI	A	6MT9	2530-99-833-2039 ...DROP ARM, STEERING: bottom	7745-7A	1		Rh
NI	A	6MT10	2530-99-755-5789 ...STEERING ARM: bottom	7887-7P	1		LH) Serial
NI	A	6MT10	2530-99-755-5790 ...STEERING ARM: bottom	7887-8	1		Rh)nos)11-15)only
27	A	6MT10	5307-99-977-3946 ...STUD, PLAIN, steel, 3/4 in. UNF both ends x 4 in. o/a lg	91060030	4		
28	A	6MT10	5330-99-830-4608 ...SEAL, PLAIN, ENCASED, rubber/steel, 3-1/8 in. id x 3-7/8 in. od x 5/16 in. w	7607/32	4		
29	A	6MT7	3110-99-830-9833 ...BEARING, TAPERED ROLLER, 1-5/8 in. id x 3-3/4 in. od x 1-1/8 in. w	7607-17	2		
30	A	6MT10	3130-99-830-4611 ...CAP, HOUSING, BEARING, UNIT		2		
31	A	6MT1	4730-99-801-1230 ...LUBRICATING NIPPLE, brass, hex hd type, 1/4 in. BSP.F		2		
NI	A	G1	5310-99-977-1510 ...NUT, SELF-LOCKING, HEXAGON, UNF, steel, 1/2 in.			AR	

101

101



Chap 2-5

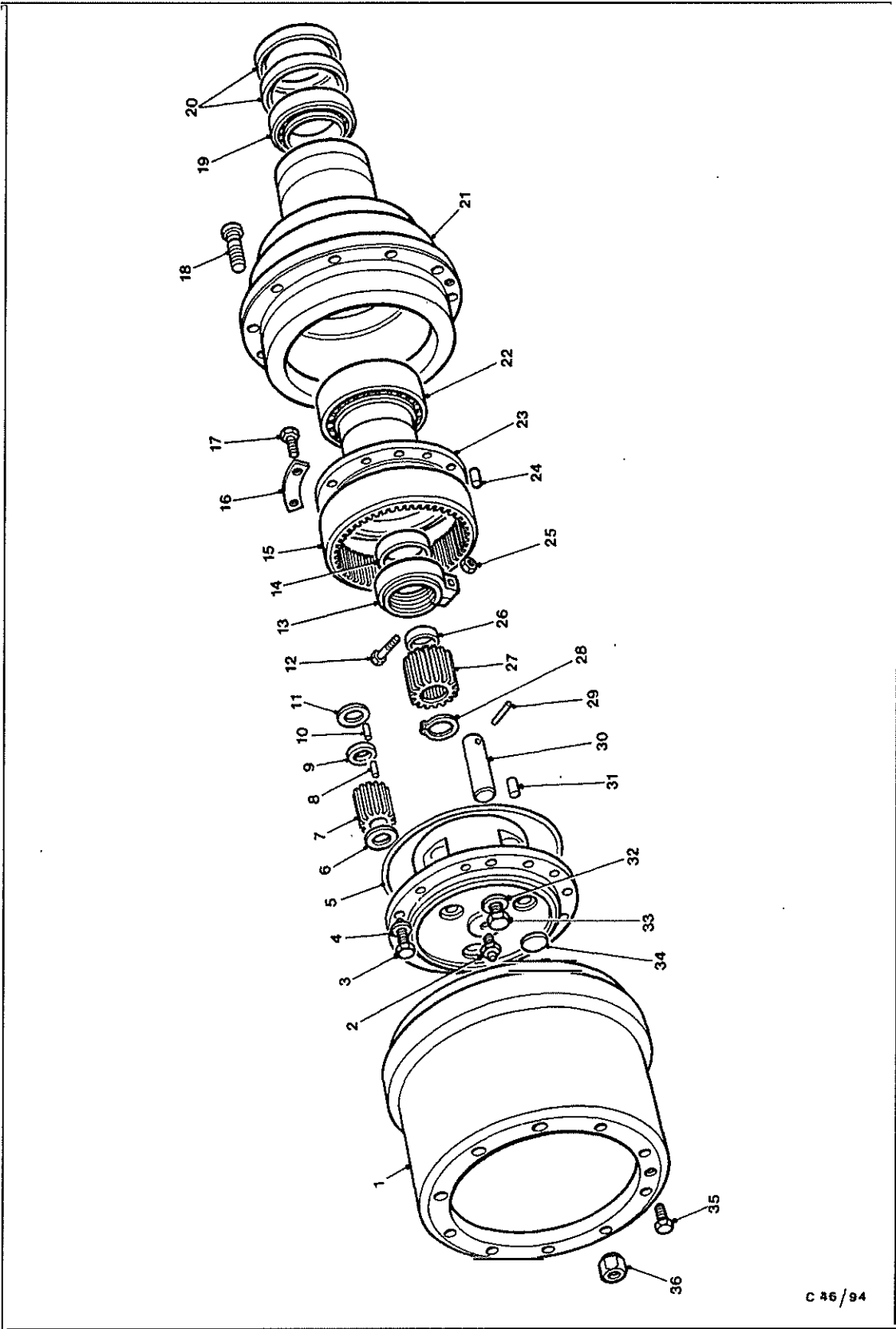
Fig 12 Drive hub-front

C 46/94

1092

FIG ITEM	MAN CODE NAVY - N ARMY - A RAF - R	NATO STOCK NUMBER	ITEM NAME AND DESCRIPTION	PART NO./ DRAWING NO.	NO. OFF	ANNOTATIONS
Fig 12			TRANSMISSION - contd ..AXLE ASSEMBLY, AUTOMOTIVE, DRIVING: front - contd ..DRIVE HUBS -			
1	A	6MT9	2530-99-830-4601 ...BRAKE DRUM, CI, 15-1/2 in. id x 8 in. deep, 10 mtg holes	7529-88	2	
3	A	G1	5305-99-124-7388 ...SCREW, MACHINE, UNF, steel, hex hd, 1/2 in. x 1-1/4 in. lg		16	
4	A	6MT10	5310-99-139-4363 ...WASHER, FLAT, steel, 1/2 in. id x 13/16 in. od x 3/32 in. thk	SL238-5	16	
5	A	6MT1	5330-99-828-7212 ...RING, SEALING, TOROIDAL, rubber, 8.75 in. id x 0.139 in. h		2	
6	A	W17	3120-99-203-0948 ...WASHER, THRUST	2244-12	6	
7	A	6MT10	3020-99-835-0417 ...GEAR, SPUR, steel, 19 teeth, 1-9/16 in. id x 2-5/8 in. od x 1-7/8 in. lg	R8283-37	6	
8	A	6MT7	3110-99-824-2637 ...ROLLER, BEARING; steel, 3/16 in. dia x 13/16 in. lg; spherical ends		AR 6	
9	A	6MT10	5365-99-830-4631 ...SPACER, RING; for planet gears	SI246-266	6	
10	A	6MT7	3110-99-824-2637 ...ROLLER, BEARING; steel, 3/16 in. dia x 13/16 in. lg; spherical ends		AR 6	
11	A	W17	3120-99-203-0948 ...WASHER, THRUST	2244-12	6	
12	A	G1	5306-99-209-2560 ...BOLT, MACHINE; UNF, steel, hex hd, 3/8 in. x 2-1/8 in. lg		2	
13	A	6MT10	5310-99-977-0973 ...NUT, AXLE TUBE	R8283-43	2	
14		NP	...SLEEVE	9392860	2	
15	A	6MT10	3020-99-830-4619 ...GEAR, INTERNAL, 45 teeth	R3667-36	2	
16	A	6MT10	3020-99-838-6024 ...GEAR, INTERNAL, 60 teeth	R8283-36	2	
16	A	6MT10	3020-99-830-4620 ...LOCKING PLATE; steel, curved shape, 2 mtg holes	R3667-202	4	
17	A	G1	5306-99-742-0300 ...SETSCREW, UNF, steel, hex hd, 1/2 in. x 1-1/4 in. lg	91060048	8	
18	A	7FN	5306-99-828-7209 ...BOLT, RIBBED SHOULDER: wheel stud	7197-75	10	Rh
NI	A	7FN	5306-99-828-7210 ...BOLT, RIBBED SHOULDER: wheel stud	7197-76	10	Lh
19	A	6MT7	3110-99-828-6447 ...BEARING, TAPERED ROLLER, 3-3/8 in. id x 5-1/4 in. od x 1-7/8 in. w		2	
20	A	6MT1	5330-99-828-7211 ...SEAL, PLAIN, ENCASED, steel/plastics, 4-1/2 in. id x 5-1/2 in. od x 1/2 in. w		4	
21		NP	...HUB	91075481	2	
22	A	6MT7	3110-99-827-3486 ...BEARING, TAPERED ROLLER, single row, 4 in. id x 6-3/16 in. od x 1-7/16 in. w		2	
23	A	6MT10	3020-99-830-4618 ...CARRIER, INTERNAL GEAR	SR3667-9	23	
24	A	G1	5315-99-124-4976 ...PIN, STRAIGHT, HEADLESS, steel, 1/2 in. dia x 1 in. lg		4	
25	A	G1	5310-99-137-6545 ...NUT, SELF-LOCKING, HEXAGON; UNF, steel, 3/8 in.		2	
26	A	6MT10	5365-99-830-4643 ...SPACER, SLEEVE, steel, 1-9/16 in. id x 1-7/8 in. od x 5/8 in. lg	R3928-177 R8283-38	2	
27	A	6MT10	3020-99-836-3150 ...GEAR, SPUR, 27 teeth		2	Sun gear
28	A	6MT10	5365-99-910-8205 ...RING, RETAINING, steel, circlip, ext, for 1-1/2 in. dia shaft		2	
29	A	G1	5315-99-122-9508 ...PIN, SPRING, steel, 3/16 in. dia x 1-3/4 in. lg		6	
30	A	6MT10	3020-99-830-4632 ...PIN, PLANET GEARS	R3383-42	6	
31		NP	...DOWEL	9392735	AR	

192



Chap 2-5

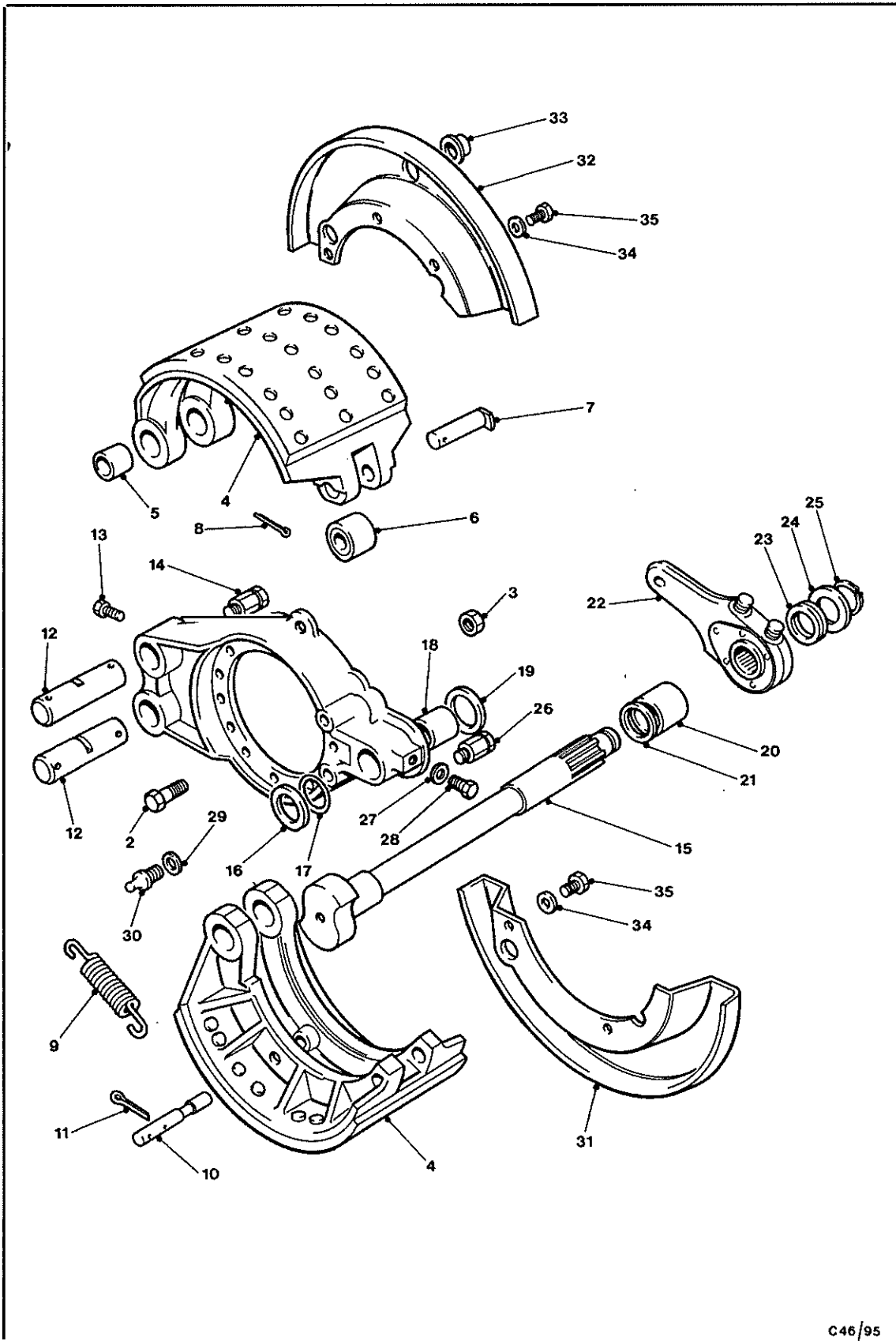
Fig 12 Drive hub-front

C 36/94

4491

FIG ITEM	MAN CODE NAVY - N ARMY - A RAF - R	NATO STOCK NUMBER	ITEM NAME AND DESCRIPTION	PART NO./ DRAWING NO.	NO. OFF	ANNOTATIONS
Fig 12			TRANSMISSION - contd .AXLE ASSEMBLY, AUTOMOTIVE, DRIVING: front - contd ..DRIVE HUBS - contd			
32	A G1	5310-99-941-9270	...WASHER, FLAT, copper, 27/32 in. id x 1 in. od x 1/16 in. thk		2	
33	A 6MT1	5365-99-942-7986	...PLUG, SCREWED, UNF, steel, hex hd, 3/4 in. x 1/2 in. lg		2	
34	A 6MT10	5340-99-830-4633	...PLUG, EXPANSION, steel, 1-1/2 in. dia, 5/64 in. thk matl.	2880-22 2918-90	6 2	
35	A 6MT9	2530-99-828-7655	...SCREW, BRAKE DRUM		2	
36	A 6MT14	5310-99-815-3290	...NUT, CONE SEAT, HEXAGON, BSF, steel, 7/8 in. rh thd	8837120	10	
NI	A 6MT14	5310-99-801-7641	...NUT, CONE SEAT, HEXAGON, BSF, steel, 7/8 in. lh thd		10	
NI	A 6MT10	5310-99-830-4642	...NUT, PLAIN, ROUND, steel, 3 in. - 12 UN, 4-1/2 in. od x 3/8 in. thk	9392721	2	Inner
NI	A 6MT10	5310-99-830-4641	...NUT, PLAIN, ROUND, steel, 3 in. - 12 UN, 4-1/2 in. od x 3/8 in. thk	9392720	2	Outer
NI	A W17	5310-99-203-0952	...WASHER, KEY; steel, 1 int key, 11 ext keys, 3-1/64 in. id x 3-13/16 in. od x 3/32 in. thk	2474-130	2	

195



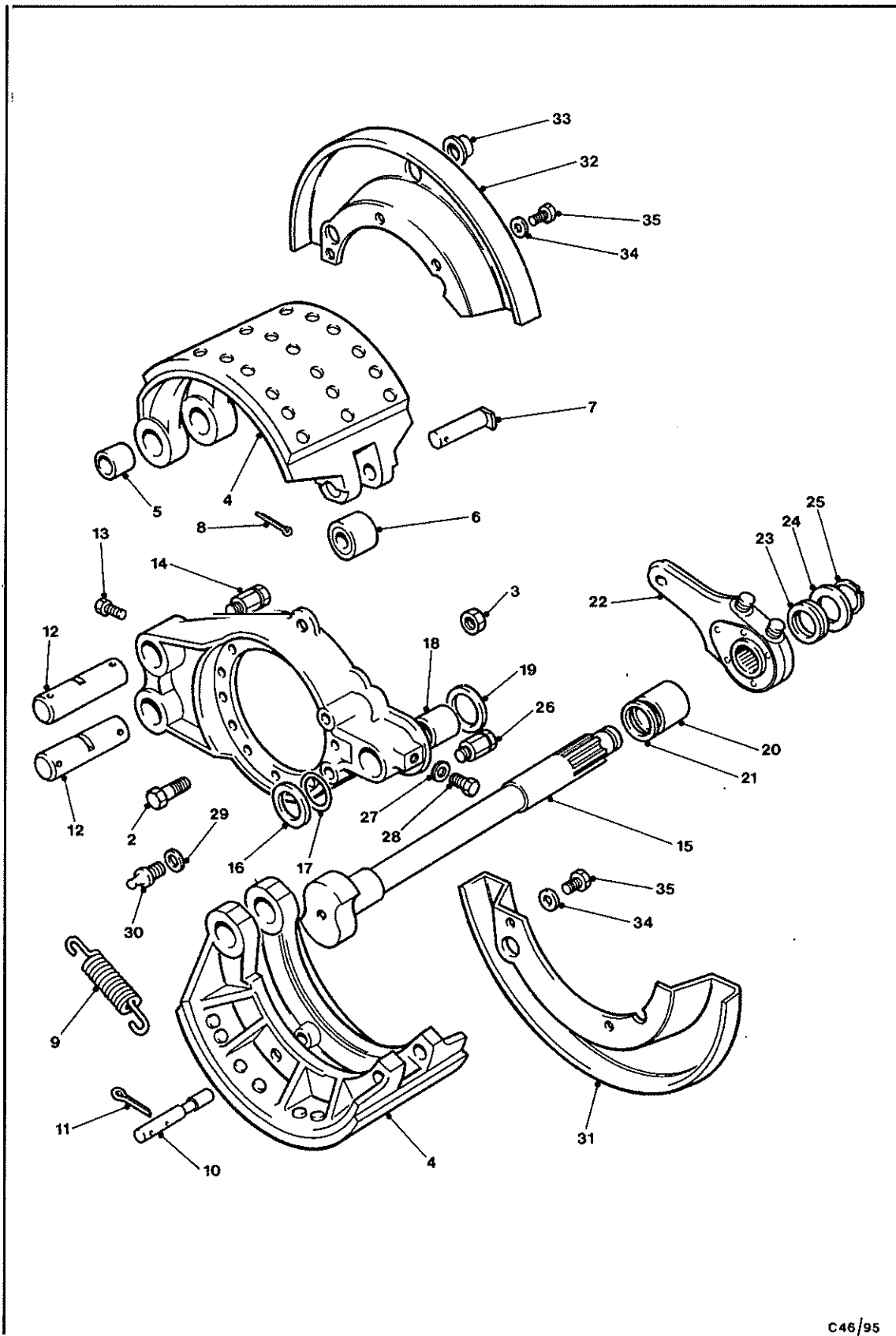
196

Chop 2 - 5

Fig 13 Brak ass mbly-front

C46/95

FIG ITEM	MAN CODE NAVY - N ARMY - A RAF - R	NATO STOCK NUMBER	ITEM NAME AND DESCRIPTION	PART NO./ DRAWING NO.	NO. OFF	ANNOTATIONS
Fig 13			TRANSMISSION - contd ..AXLE ASSEMBLY, AUTOMOTIVE, DRIVING: front - contd ..FRONT BRAKES -			
1		NP	...BRACKET, SUPPORT, BRAKE		2	
2	A G1	5306-99-123-7067	...BOLT, MACHINE, UNF, steel, hex hd, 1/2 in. x 2-1/2 in. lg		} AR	
3	A G1	5310-99-808-3554	...NUT, SELF-LOCKING, HEXAGON, UNF, steel, 1/2 in.			
4	A 7BD	2530-99-836-0998	...BRAKE SHOE SET: comprises 4 shoes c/w linings and rivets	91075527	1 set	
5	A 6MT1	3120-99-410-9795	...BEARING, SLEEVE, steel/bronze, 1-1/4 in. id x 1-13/32 in. od x 1 in. lg		4	
6	A 6MT9	2530-99-830-5136	...BRAKE SHOE ROLLER, steel, 3/4 in. id x 2 in. od x 1 in. w	6954-135	4	
7	A 6MT10	2530-99-830-5137	...PIN, ROLLER, BRAKE SHOE: pivot, brake shoe roller	7600-134	4	
8	A G1	5315-99-138-2213	...PIN, COTTER, SPLIT, steel, 5 mm dia x 50 mm lg		4	
9	A 6MT9	5360-99-828-7207	...SPRING, HELICAL, EXTENSION, steel, 1-1/8 in. od x 5-5/8 in. free lg	6954-165 2587-73	4	
10	A 6MT10	2530-99-830-5140	...PIN, ANCHOR, BRAKE SHOE		4	
11	A G1	5315-99-138-2200	...PIN, COTTER, SPLIT, steel, 1.6 mm dia x 16 mm lg		4	
12	A 6MT10	2530-99-830-5138	...PIN, PIVOT, BRAKE SHOE	7600-99	4	
13	A 6MT10	5305-99-139-4355	...SCREW, SET, UNF, steel, hex hd, flat point, 3/8 in. x 9/16 in. lg	SL792-16	4	
14	A 6MT1	4730-99-801-1950	...LUBRICATING NIPPLE, steel, hex type, 1/8 in. BSP.F		4	
15	A 6MT10	2530-99-830-5145	...CAMSHAFT, ACTUATING BRAKE SHOES	R8200-52E	1	Lh
NI	A 6MT10	2530-99-830-5144	...CAMSHAFT, ACTUATING BRAKE SHOES	R8200-51E	1	Rh
16	A 6MT10	5310-99-139-4365	...WASHER, RECESSED, steel, 1-17/32 in. id x 2-1/4 in. od x 1/8 in. thk, countersunk 1-23/32 in. dia x 3/32 in. deep	SL246-268	2	
17	A W17	5330-99-202-9107	...RING, SEALING, TOROIDAL, rubber, 1-1/2 in. id, 3/32 in. h	3-150	2	
18	A 6MT1	3120-99-821-9806	...BEARING, SLEEVE, steel/bronze 1-1/2 in. id x 1-21/32 in. od x 1-1/4 in. lg		2	
19	A 6MT1	5330-99-815-9846	...SEAL, PLAIN, ENCASED, rubber, 1-1/2 in. id x 1-7/8 in. od x 3/16 in. w		2	
20	A 6MT1	3120-99-821-9806	...BEARING, SLEEVE, steel/bronze, 1-1/2 in. id x 1-21/32 in. od x 1-1/4 in. lg, 1 oil hole		2	
21	A 6MT1	5330-99-815-9846	...SEAL, PLAIN, ENCASED, rubber, 1-1/2 in. id x 1-7/8 in. od x 3/16 in. w		2	
22	A 6MT9	2530-99-833-2044	...ADJUSTER, SLACK, BRAKE	CDR266664	1	Lh
NI	A 6MT9	2530-99-833-2043	...ADJUSTER, SLACK, BRAKE	CDR266663	1	Rh
23	A 6MT10	5360-99-838-6890	...SPRING, HELICAL, COMPRESSION	3221-64	2	
24	A 6MT10	3120-99-139-4356	...WASHER, THRUST, steel, 1-33/64 in. id x 2-5/8 in. od x 5/64 in. thk	SL246-161	2	
25	A 6MT1	5365-99-910-8205	...RING, RETAINING, steel, circlip, ext, for 1-1/2 in. dia shaft		2	
26	A 6MT1	4730-99-801-1230	...LUBRICATING NIPPLE, brass, hex hd type, 1/8 in. BSP.F		4	
27	A G1	5310-99-941-9410	...WASHER, LOCK, rubber/steel, 3/8 in. id x 3/4 in. od x 3/32 in. thk		2	



Chop 2 - 5

Fig 13 Brak assembly-front

C46/95

FIG ITEM	MAN CODE NAVY - N ARMY - A RAF - R	NATO STOCK NUMBER	ITEM NAME AND DESCRIPTION	PART NO./ DRAWING NO.	NO. OFF	ANNOTATIONS
Fig 13			TRANSMISSION - contd ..AXLE ASSEMBLY, AUTOMOTIVE, DRIVING: front - contd ..FRONT BRAKES - contd			
28	A 8REBY	4730-99-817-1123	...PLUG, SCREWED	SL321-8	2	
29	A G1	5310-99-941-6659	...WASHER, LOCK, steel, split helical ring, 9/16 in. id		4	
30	A 6MT10	2530-99-830-5139	...PIN, ANCHOR, BRAKE SPRINGS; w/ thd shank	91060042	4	
33	A 6MT9	5340-99-830-5143	...PLUG, PROTECTIVE, DUST AND MOISTURE SEAL	2951-76	4	
34	A G1	5310-99-941-6655	...WASHER, LOCK, steel, split helical ring, 5/16 in. id) AR)	
35	A G1	5305-99-941-0523	...SCREW, MACHINE, UNF, steel, hex hd, 5/16 in. x 1/2 in. lg			

191

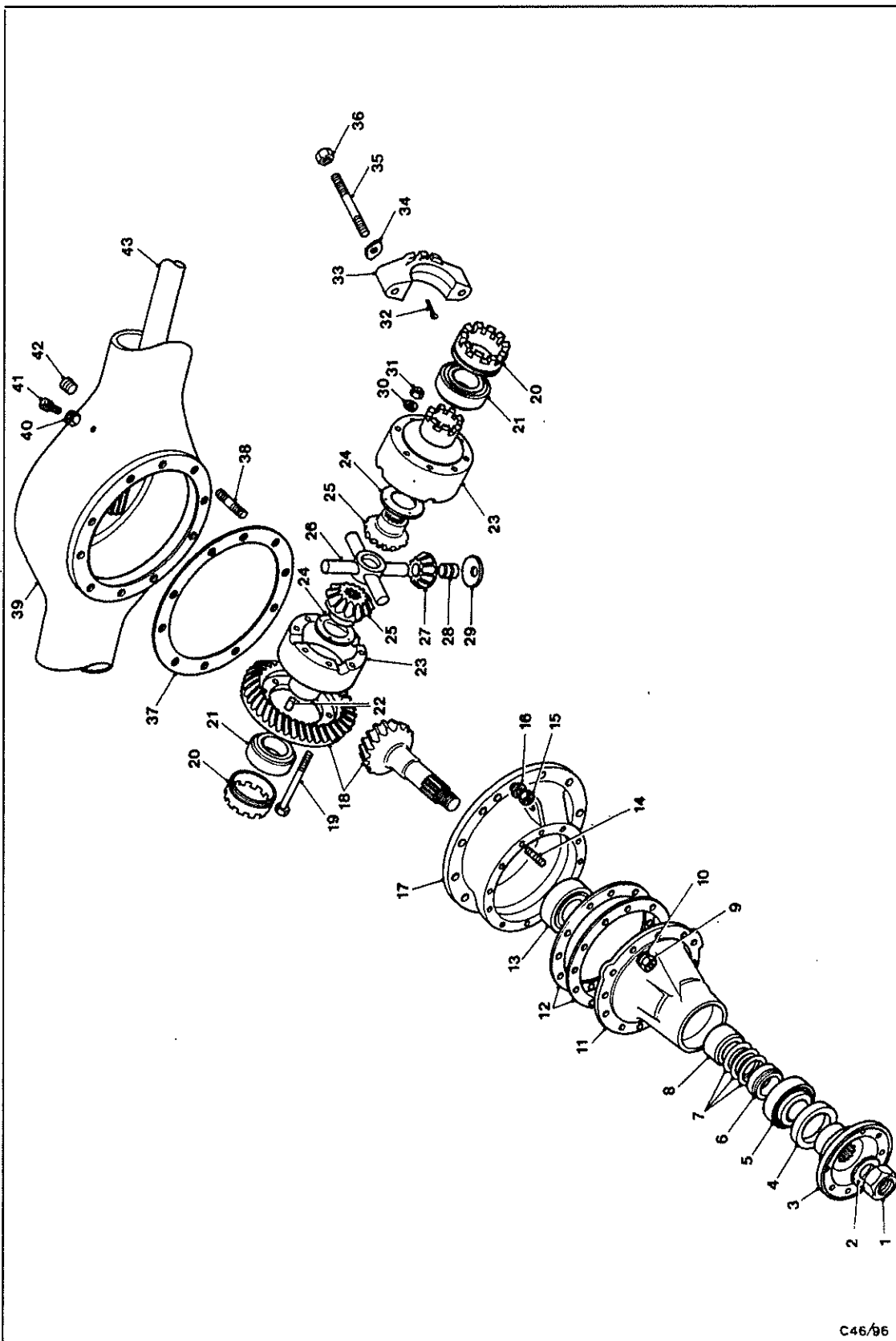
920

ARMY EQUIPMENT
SUPPORT PUBLICATIONS

2320-I-701-711

FIG ITEM	MAN CODE		NATO STOCK NUMBER	ITEM NAME AND DESCRIPTION	PART NO./ DRAWING NO.	NO. OFF	ANNOTATIONS
	NAVY - N	ARMY - A					
NI	A	7BD	2520-99-831-8129	TRANSMISSION - contd .AXLE ASSEMBLY, AUTOMOTIVE DRIVING: rear	91056113	1	

106



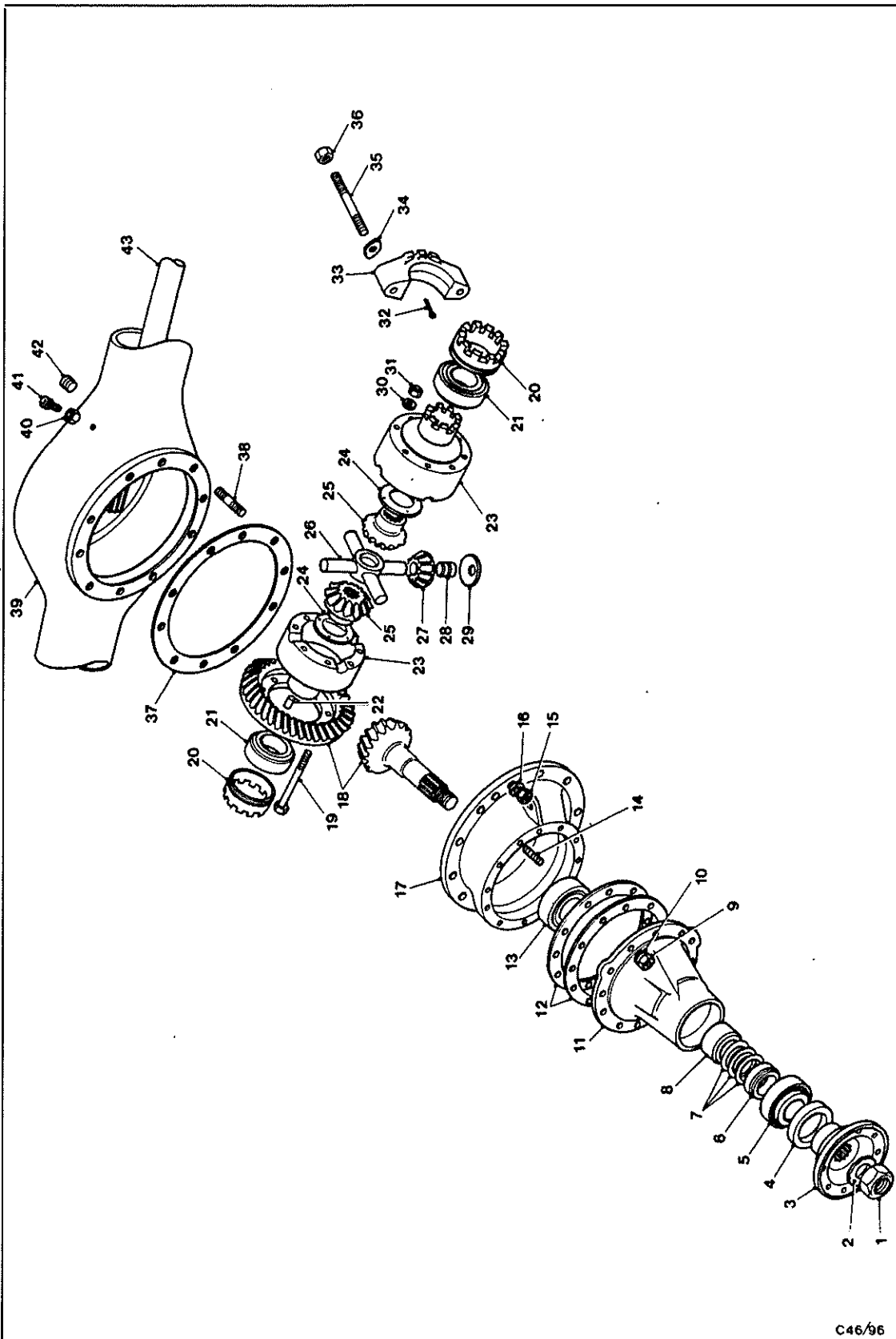
207

Fig 14 Differential and housing - r ar

FIG ITEM	MAN CODE NAVY - N ARMY - A RAF - R	NATO STOCK NUMBER	ITEM NAME AND DESCRIPTION	PART NO./ DRAWING NO.	NO. OFF	ANNOTATIONS
Fig 14			TRANSMISSION - contd ..AXLE ASSEMBLY, AUTOMOTIVE DRIVING: rear - contd ..DIFFERENTIAL AND HOUSINGS -			
1	A	6MT10	5310-99-139-4348 ...NUT, PLAIN, HEXAGON, UNF, steel, 1-1/2 in.	R3754-156	1	
2	A	6MT10	5310-99-139-4349 ...WASHER, FLAT, steel, 1-17/32 in. id x 2-3/4 in. od x 7/32 in. thk	SL246-62	1	
3	A	6MT10	2520-99-838-6017 ...FLANGE, COMPANION, UNIVERSAL JOINT	R8283-95	1	
4	A	6MT1	5330-99-830-5108 ...SEAL, PLAIN, ENCASED, steel/rubber, 2-3/4 in. id x 4-1/4 in. od x 1/2 in. w		1	
5	A	6MT7	3110-99-830-9831 ...BEARING, TAPERED ROLLER, 2 in. id x 4-1/8 in. od x 1-7/16 in. w		1	
6		NP	...SPACER, PINION BEARING: outer	91060018	1	
7	A	6MT10	5365-99-830-5110 ...SHIM, steel, 2-1/32 in. id, 2-3/4 in. od, 0.002 in. thk	2657-119A) }) }) }) }	
NI	A	6MT10	5365-99-830-5111 ...SHIM, steel, 2-1/32 in. id, 2-3/4 in. od, 0.005 in. thk	2657-119B		
NI	A	6MT10	5365-99-830-5112 ...SHIM, steel, 2-1/32 in. id, 2-3/4 in. od, 0.010 in. thk	2657-119C		
NI	A	6MT10	5365-99-830-5113 ...SHIM, steel, 2-1/32 in. id, 2-3/4 in. od, 0.015 in. thk	2657-119D		
8		NP	...SPACER, INNER BEARING	91060017	1	
9	A	G1	5310-99-136-1517 ...NUT, PLAIN, HEXAGON, UNF, steel, 7/16 in.		12	
10	A	G1	5310-99-941-6657 ...WASHER, LOCK, steel, split helical ring, 7/16 in. id		12	
11		NP	...HOUSING, BEVEL PINION	R3754-32	1	
12	A	6MT10	5365-99-830-5116 ...SHIM, plastics, 8-15/16 in. id x 10-3/4 in. od x 0.008 in. thk	R3755-119A) }) }) }) }	
NI	A	6MT10	5365-99-830-5117 ...SHIM, plastics, 8-15/16 in. id x 10-3/4 in. od x 0.010 in. thk	R3755-119B		
NI	A	6MT10	5365-99-830-5118 ...SHIM, plastics, 8-15/16 in. id x 10-3/4 in. od x 0.015 in. thk	R3755-119C		
NI	A	6MT10	5365-99-830-5119 ...SHIM, plastics, 8-15/16 in. id x 10-3/4 in. od x 0.020 in. thk	R3755-119D		
13	A	6MT7	3110-99-830-9832 ...BEARING, TAPERED ROLLER, 2-1/2 in. id x 5 in. od x 1-7/16 in. w		1	
14	A	6MT10	5307-99-139-4350 ...STUD, PLAIN, steel, 7/16 in. UNF both ends x 1-5/8 in. lg	SI785-22	12	
15	A	G1	5310-99-136-1517 ...NUT, PLAIN, HEXAGON, UNF, steel, 7/16 in.) }) }	
16	A	G1	5310-99-941-6657 ...WASHER, LOCK, steel, split helical ring, 7/16 in. id			
17		NP	...CASING, DIFFERENTIAL	91060007	1	
18-36	A	6MT10	2520-99-838-6016 ...DIFFERENTIAL, DRIVING AXIE: rear	19943-1-0153	1	
18	A	6MT10	3020-99-833-2028 ...GEAR SET, BEVEL MATCHED, crown wheel and pinion, 1.53 to 1 ratio	3756-1	1	
19	A	G1	5306-99-139-4353 ...BOLT, MACHINE, UNF, steel, hex hd, 5/8 in. x 6-1/4 in. lg		8	
20	A	6MT10	2530-99-830-5123 ...NUT, ADJUSTING, DIFFERENTIAL	R3754-34	2	

703

21



2014

Fig 14 Differential and housing - r ar

FIG ITEM	MAN CODE NAVY - N ARMY - A RAF - R	NATO STOCK NUMBER	ITEM NAME AND DESCRIPTION	PART NO./ DRAWING NO.	NO. OFF	ANNOTATIONS
Fig 14			TRANSMISSION - contd .AXLE ASSEMBLY, AUTOMOTIVE DRIVING: rear - contd ..DIFFERENTIAL AND HOUSINGS - contd ...DIFFERENTIAL, DRIVING AXLE - contd			
21	A	6MT7	3110-99-806-1073BEARING, TAPERED ROLLER, 2-7/8 in. id x 4-7/16 in. od x 1 in. w		2
22	A	6MT10	5315-99-830-5130PIN, STRAIGHT, HEADLESS, steel, 5/8 in. dia x 1-1/4 in. lg	SL309-7	2
23		NPCASE, REAR AXLE DIFFERENTIAL	91060008	1	
24	A	6MT10	3120-99-830-5129WASHER, THRUST, phosphor bronze, 2-3/8 in. id x 3-3/4 in. od x 7/16 in. thk	R3846-15 2454-24	2 2
25	A	6MT10	3020-99-830-5125GEAR, BEVEL		
26	A	6MT10	2520-99-838-6023SPIDER, DIFFERENTIAL: rear axle	R3760-5	1
27-28	A	6MT10	3020-99-830-5127GEAR, BEVEL: differential spider	2015-23A	4
28	A	W17	2520-99-202-9088BUSHING, SLEEVE	2015-54	1
29	A	W17	3120-99-202-9087WASHER, THRUST	2252-17	4
30	A	6MT10	5310-99-139-4352WASHER, FLAT, steel, 5/8 in. id x 1-1/8 in. od x 1/8 in. thk		8
31	A	G1	5310-99-139-4351NUT, SELF-LOCKING, HEXAGON, UNF, steel, 5/8 in.		8
32	A	G1	5310-99-138-2211PIN, COTTER, SPLIT, steel, 4 mm dia x 50 mm lg		2
34	A	6MT10	5310-99-139-4352WASHER, FLAT, steel, 5/8 in. id x 1-1/8 in. od x 1/8 in. thk	SL238-7	4
35	A	6MT10	5307-99-977-9941STUD, PLAIN, steel, 5/8 in. UNF nut end, 5/8 in. UNC other end x 4-3/8 in. o/a lg	R8323-184	4
36	A	G1	5310-99-122-3179NUT, PLAIN, HEXAGON, UNF, steel, 5/8 in.		4
37	A	6MT10	5330-99-830-5122GASKET, paper, 12-1/8 in. id x 14-1/8 in. od x 0.009 in. thk; 24 mtg holes	R3760-3	1
38	A	6MT10	5307-99-139-4354STUD, PLAIN, steel, 7/16 in. UNF both ends x 2 in. lg	SL785-65	AR
39		NPHOUSING REAR AXLE	VM9106143	1	
41	A	7BD	2520-99-838-6018BREATHER: rear axle	9392738	1
NI	A	7BD	4720-99-838-6019TUBING, RUBBER, 0.220 in. id x 0.400 in. od x 35.500 in. lg	91079194	1
NI	A	7BD	5340-99-838-6020STRAP, RETAINING, nylon, double, 10 mm dia grips	9963494	2
NI	A	6MT1	4730-99-533-2956CLAMP, HOSE, steel, 3/8 in. to 1/2 in. id		1
42	A	6MT10	4730-99-830-5131PLUG, PIPE, steel, hex socket hd, 3/4 in. NPTF male	2690-22H	1
43	A	6MT10	2520-99-828-6456SHAFT, AXLE, AUTOMOTIVE	R8011-46A	1
NI	A	6MT10	2520-99-828-6455SHAFT, AXLE, AUTOMOTIVE	R3521-46K	1
NI	A	6MT10	2520-99-828-4472PLUG, MAGNETIC: drain plug	R3934-22H	1

nos

710

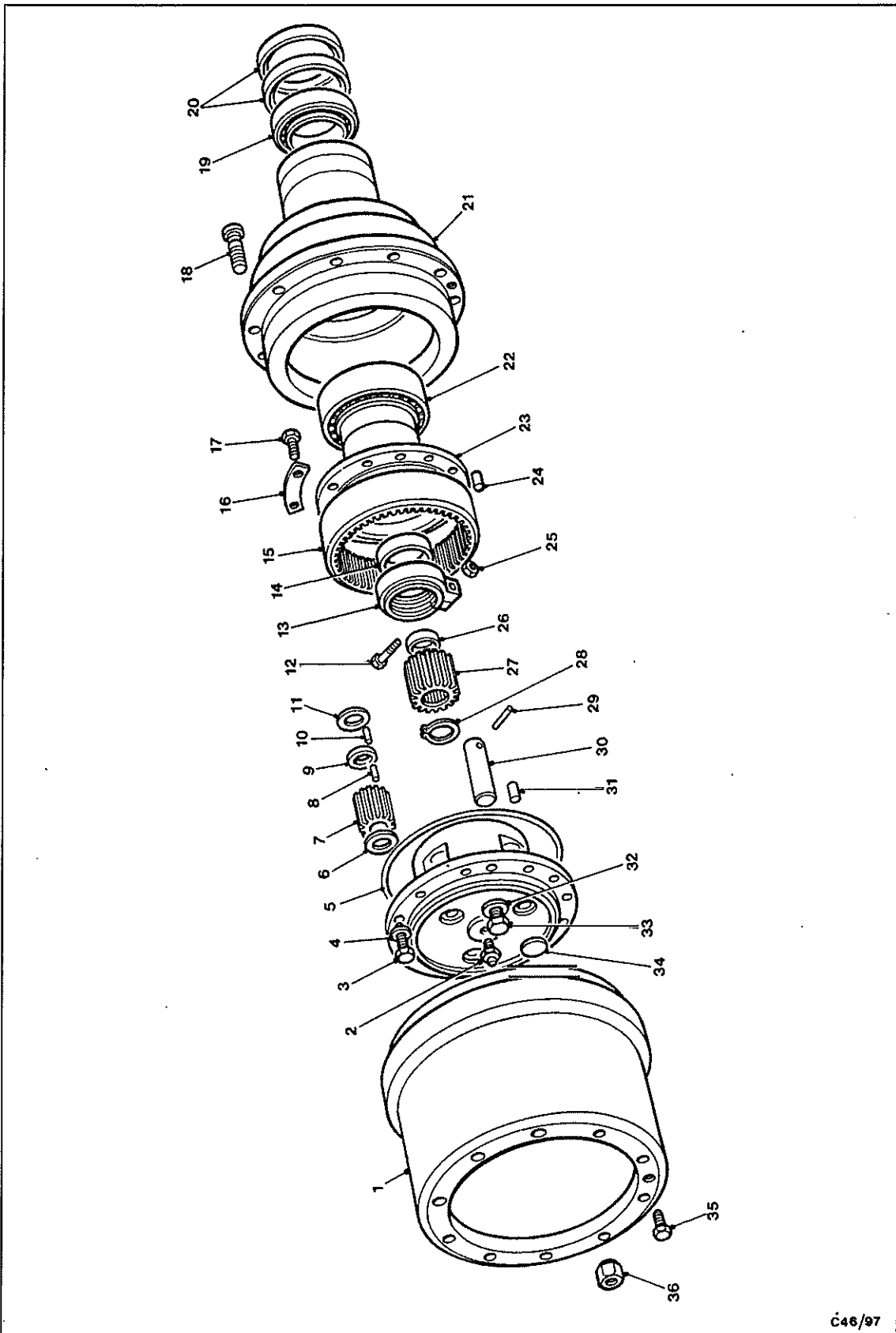
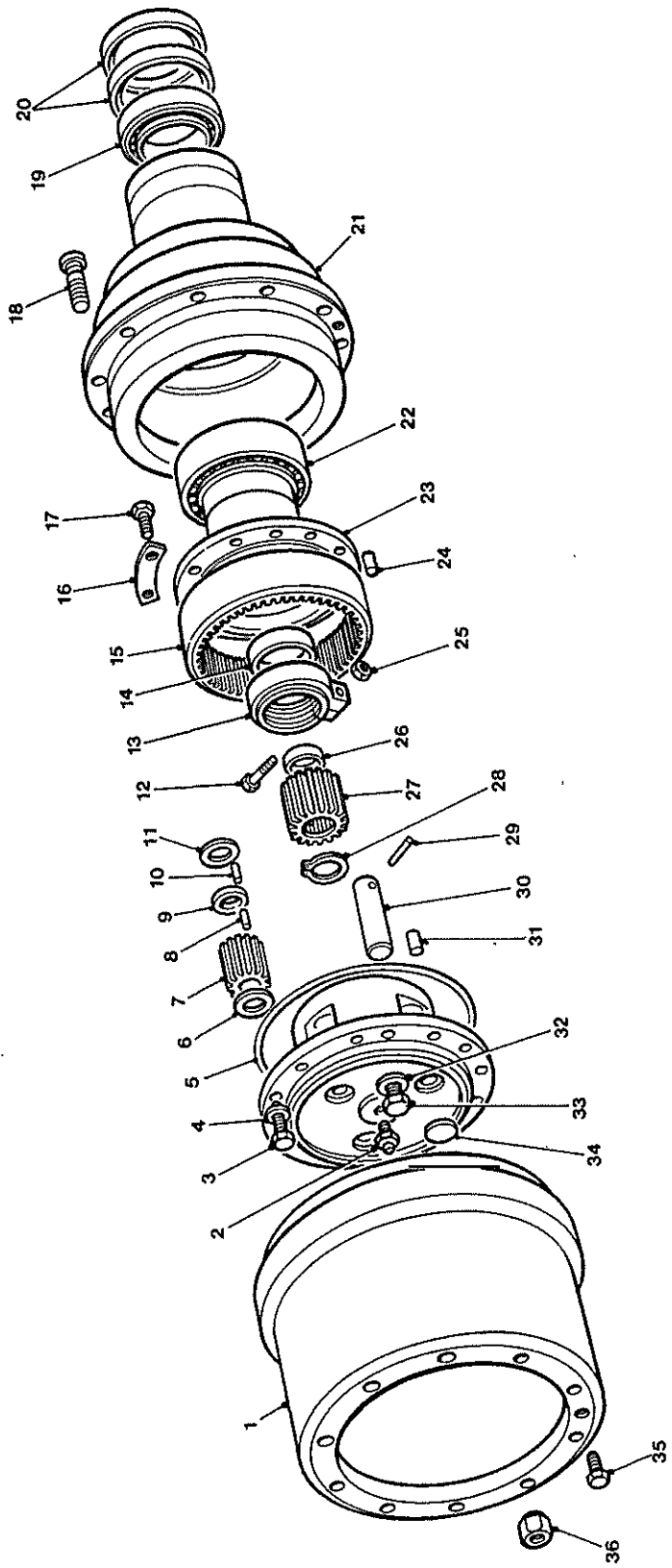


Fig 15 Driv hub- r ar

FIG ITEM	MAN CODE NAVY - N ARMY - A RAF - R	NATO STOCK NUMBER	ITEM NAME AND DESCRIPTION	PART NO./ DRAWING NO.	NO. OFF	ANNOTATIONS
Fig 15			TRANSMISSION - contd .AXLE ASSEMBLY, AUTOMOTIVE, DRIVING: rear - contd ..WHEEL HUBS -			
1	A	6MT9	2530-99-828-6457 ...BRAKE DRUM, CI, 17-7/8 in. od x 11-1/4 in. w	R3872-40	2	
3	A	G1	5305-99-124-7388 ...SCREW, MACHINE, UNF, steel, hex hd, 1/2 in. x 1-1/4 in. lg		20	
4	A	6MT10	5310-99-139-4363 ...WASHER, FLAT, steel, 1/2 in. id x 15/16 in. od x 3/32 in. thk	SL238-5	20	
5	A	6MT1	5330-99-828-7212 ...RING, SEALING, TOROIDAL, rubber, 8.75 in. id x 0.139 in. h		2	
6	A	6MT10	2520-99-833-4543 ...WASHER, THRUST, PLANET WHEEL, steel, 1-5/32 in. id x 2 in. od x 3/32 in. thk	2244-12	6	
7	A	6MT10	3020-99-835-0417 ...GEAR, SPUR, steel, 19 teeth, 1-9/16 in. id x 2-5/8 in. od x 1-7/8 in. lg	R8283-37	6	
8	A	6MT7	3110-99-824-2637 ...ROLLER, BEARING, steel, 3/16 in. dia x 13/16 in. lg; spherical ends	QA190-196	AR	
9	A	6MT10	5365-99-830-4631 ...SPACER, RING: for planet gear rollers	SL246-266	6	
10	A	6MT7	3110-99-824-2637 ...ROLLER, BEARING, steel, 3/16 in. dia x 13/16 in. lg; spherical ends		AR	
11	A	6MT10	2520-99-833-4543 ...WASHER, THRUST, PLANET WHEEL, steel, 1-5/32 in. id x 2 in. od x 3/32 in. thk	2244-12	6	
12	A	G1	5306-99-209-2560 ...BOLT, MACHINE, UNF, steel, hex hd, 3/8 in. x 2-1/8 in. lg		2	
13	A	6MT10	5310-99-977-0973 ...NUT, AXLE TUBE	R8283-43	2	
14	A	6MT7	3110-99-827-3486 ...BEARING, TAPERED ROLLER, single row, 4 in. id x 6-3/16 in. od x 1-7/16 in. w		2	
15	A	6MT10	3020-99-838-6024 ...GEAR, INTERNAL, hub, 60 teeth	R8283-36	2	
16	A	6MT10	3020-99-830-4620 ...LOCKING PLATE, steel, curved shape, 2 mtg holes	R3667-202	8	
17	A	G1	5306-99-742-0300 ...SETSCREW, UNF, steel, hex hd, 1/2 in. x 1-1/4 in. lg	SL795/84	16	
18	A	7FN	5306-99-828-7209 ...BOLT, RIBBED SHOULDER: wheel stud, rh thd	7197-75	10	
NI	A	7FN	5306-99-828-7210 ...BOLT, RIBBED SHOULDER: wheel stud, lh thd	7197-76	10	
19	A	6MT7	3110-99-828-6447 ...BEARING, TAPERED ROLLER, 3-3/8 in. id x 5-1/4 in. od x 1-3/16 in. lg		2	
20	A	6MT1	5330-99-828-7211 ...SEAL, PLAIN, ENCASED, steel/plastics, 4-1/2 in. id x 5-1/2 in. od x 1/2 in. w		4	
NI	A	6MT10	2530-99-830-4617 ...SLEEVE, WEARING, steel, 4-1/2 in. od x 1-3/8 in. lg	R3383-41	2	
21		NP	...HUB	91075481	2	
22	A	6MT7	3110-99-827-3486 ...BEARING, TAPERED ROLLER, single row, 4 in. id x 6-3/16 in. od x 1-7/16 in. w		2	
23	A	6MT10	3020-99-830-4618 ...CARRIER, INTERNAL GEAR	SR3667-9	2	
24	A	G1	5315-99-124-4976 ...PIN, STRAIGHT, HEADLESS, steel, 1/2 in. dia x 1 in. lg		8	
25	A	G1	5310-99-137-6545 ...NUT, SELF-LOCKING, HEXAGON, UNF, steel, 3/8 in.		2	
26	A	6MT10	5365-99-830-4643 ...SPACER, SLEEVE, steel, 1-9/16 in. id x 1-7/8 in. od x 5/8 in. lg	R3928-177	2	

207



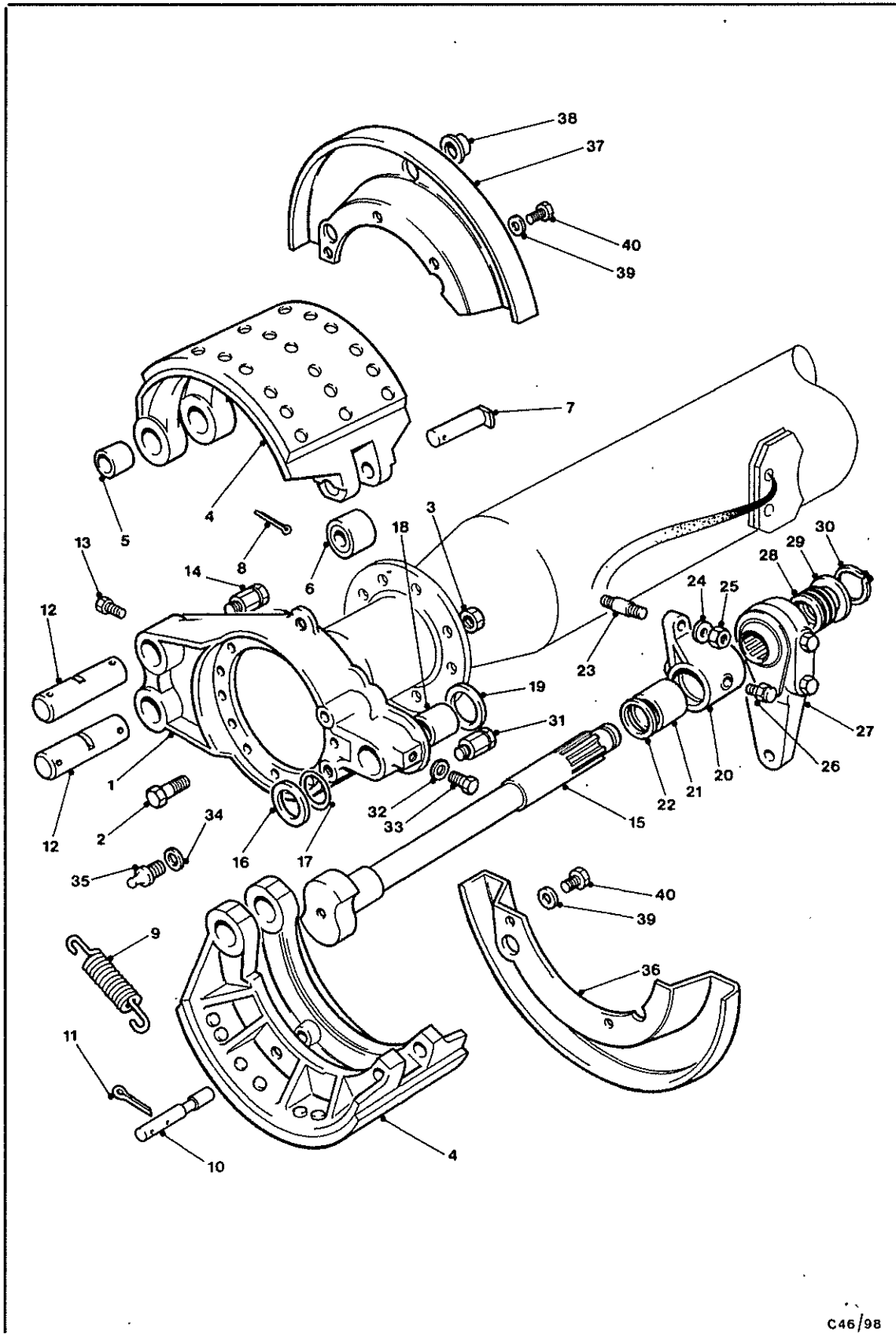
208

Fig 15 Driv hub-r ar

FIG ITEM	MAN CODE NAVY - N ARMY - A RAF - R	NATO STOCK NUMBER	ITEM NAME AND DESCRIPTION	PART NO./ DRAWING NO.	NO. OFF	ANNOTATIONS
Fig 15			TRANSMISSION - contd .AXLE ASSEMBLY, AUTOMOTIVE DRIVING: rear - contd ..WHEEL HUBS - contd			
27	A	6MT10	3020-99-836-3150	R8283-38	2	Sun gear
NI	A	6MT10	2520-99-833-2081			
			...GEAR, SPUR, 21 teeth ...WASHER, THRUST, steel, 1-3/4 in. id x 2-25/32 in. od x 9/16 in. w	R3239-117	2	
28	A	6MT10	5365-99-910-8205		2	
			...RING, RETAINING, steel, circlip, ext; for 1-1/2 in. dia shaft		2	
29	A	G1	5315-99-122-9508			
			...PIN, SPRING, steel, 3/16 in. dia, 1-3/4 in. lg			
30	A	6MT10	3020-99-830-4632	R3383-42	6	
31			NP	9392735	AR	
32	A	G1	5310-99-941-9270		2	
			...WASHER, FLAT, copper, 27/32 in. id x 1 in. od x 1/16 in. thk		2	
33	A	6MT1	5365-99-942-7986		2	Level/drain
			...PLUG, SCREWED, steel, hex hd, 3/4 in. UNF x 1/2 in. lg		2	
34	A	6MT10	5340-99-830-4633		6	
			...PLUG, EXPANSION, steel, 1-1/2 in. dia, 5/64 in. thk material	2880-22	6	
35	A	6MT9	2530-99-828-7655	2918-90	2	
36	A	6MT14	5310-99-815-3290		10	
			...NUT, CONE SEAT, HEXAGON, steel, 7/8 in. BSF rh thd	8837120	10	
NI	A	6MT14	5310-99-801-7641		10	
			...NUT, CONE SEAT, HEXAGON, steel, 7/8 in. BSF lh thd	5720-68	10	

209

210



Chap 2 - 5

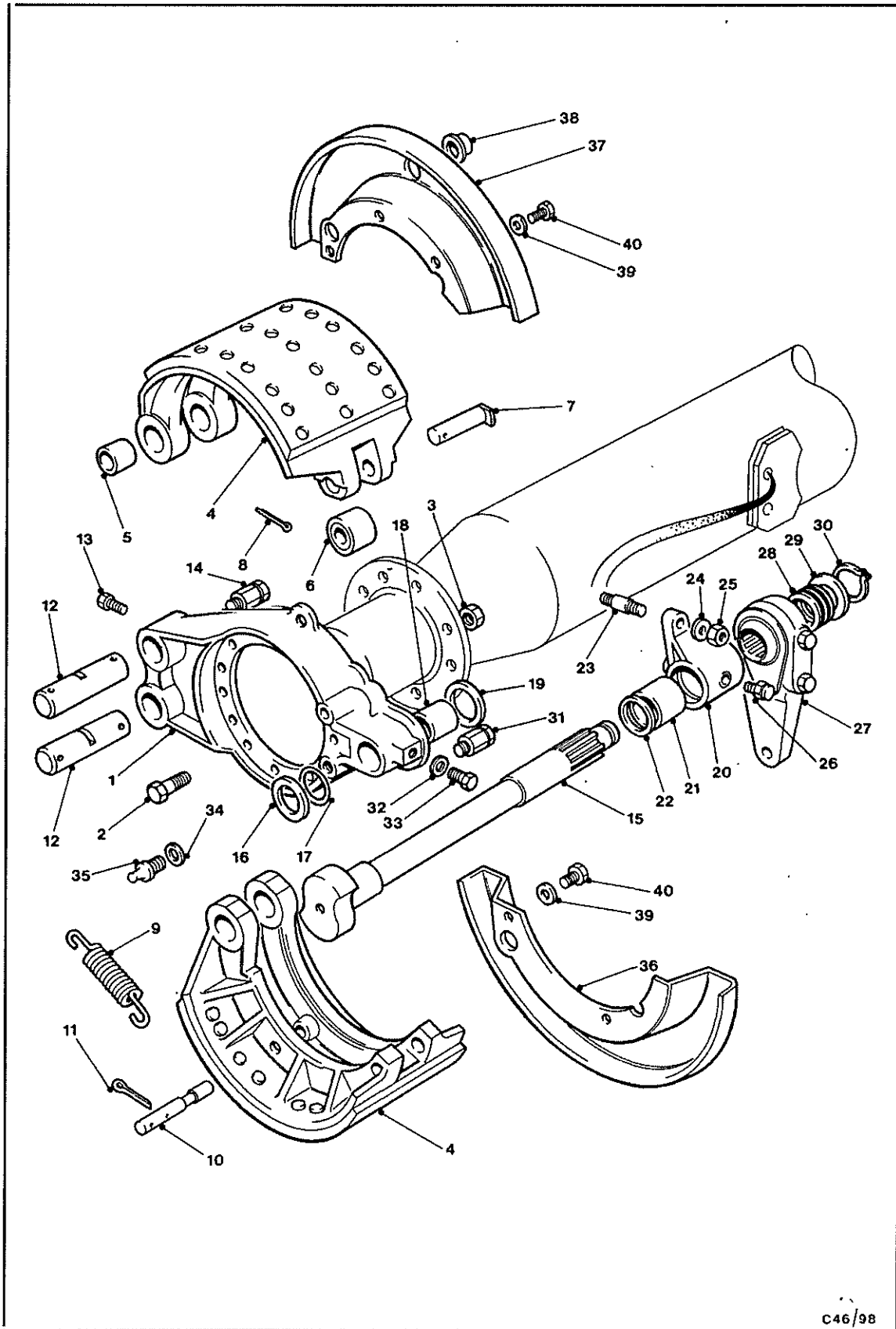
Fig 16 Brake assembly-rear

C46/98

228

FIG ITEM	MAN CODE NAVY - N ARMY - A RAF - R	NATO STOCK NUMBER	ITEM NAME AND DESCRIPTION	PART NO./ DRAWING NO.	NO. OFF	ANNOTATIONS
Fig 16			TRANSMISSION - contd .AXLE ASSEMBLY, AUTOMOTIVE DRIVING: rear - contd ..REAR BRAKES -			
1		NP	...BRACKET, SUPPORT, BRAKE		2	
2	A G1	5306-99-123-7067	...BOLT, MACHINE, UNF, steel, hex hd, 1/2 in. x 2-1/2 in. lg		16	
3	A G1	5310-99-808-3554	...NUT, SELF-LOCKING, HEXAGON, UNF, steel, 1/2 in.		16	
4	A 7HD	2530-99-836-3151	...BRAKE SHOE, INTERNALLY ACTUATED: comprises of 4 shoes	91075528	1 set	
5	A 6MT1	3120-99-410-9795	...BEARING, SLEEVE, steel/bronze, 1-1/4 in. bore x 1-13/32 in. od x 1 in. lg		8	
6	A 6MT9	2530-99-830-5136	...BRAKE SHOE ROLLER, steel, 3/4 in. id x 2 in. od x 1 in. lg	6954-135	4	
7	A 6MT10	2530-99-830-5137	...PIN, ROLLER, BRAKE SHOE: pivot, brake shoe roller	7600-134	4	
8	A G1	5315-99-138-2213	...PIN, COTTER, SPLIT, steel, 5 mm dia x 50 mm lg		4	
9	A 6MT9	5360-99-828-7207	...SPRING, HELICAL, EXTENSION, steel, 1-1/8 in. od x 5-5/8 in. o/a lg; hook ends	6954-165 2587-73	4	
10	A 6MT10	2530-99-830-5140	...PIN, ANCHOR, BRAKE SHOE		4	
11	A G1	5315-99-808-3554	...PIN, COTTER, SPLIT, steel, 1.6 mm dia x 16 mm lg	7600-99	4	
12	A 6MT10	2530-99-830-5138	...PIN, PIVOT, BRAKE SHOE		4	
13	A 6MT10	5305-99-139-4355	...SCREW, SET, UNF, steel, hex hd, flat point, 3/8 in. x 9/16 in. lg	SL792-16	4	
14	A 6MT1	4730-99-801-1950	...LUBRICATING NIPPLE, steel, hex type, 1/8 in. BSP.F		4	
NI	A 6MT1	4730-99-801-1256	...ADAPTOR, LUBRICATING NIPPLE, steel, 1/8 in. BSP.F male to 1/8 in. BSP.F female		4	
15	A 6MT9	2530-99-833-2029	...CAMSHAFT, ACTUATING, BRAKE SHOE	R8200-51A	1	Rh
NI	A 6MT9	2530-99-833-2030	...CAMSHAFT, ACTUATING, BRAKE SHOE	R8200-52A	1	Lh
16	A 6MT10	5310-99-139-4365	...WASHER, RECESSED, steel, 1-17/32 in. id x 2-1/4 in. od x 1/8 in. thk, countersunk 1-23/32 in. dia x 3/32 in. deep	SL246-268	2	
17	A W17	5330-99-202-9107	...RING, SEALING, TOROIDAL, rubber, 1-1/2 in. id x 3/32 in. h	3-150	2	
18	A 6MT1	3120-99-821-9806	...BEARING, SLEEVE, steel/bronze, 1-1/2 in. id x 1-21/32 in. od x 1-1/4 in. lg		2	
19	A 6MT1	5330-99-815-9846	...SEAL, PLAIN, ENCASED, rubber, 1-1/2 in. id x 1-7/8 in. od x 3/16 in. lg		2	
20		NP	...BRACKET, CAMSHAFT	91060062	2	
21	A 6MT1	3120-99-821-9806	...BEARING, SLEEVE, steel/bronze, 1-1/2 in. id x 1-31/32 in. od x 1-1/4 in. lg		2	
22	A 6MT1	5330-99-815-9846	...SEAL, PLAIN, ENCASED, rubber, 1-1/2 in. shaft dia x 1-7/8 in. od x 3/16 in. w		2	
23	A G1	5307-99-135-2123	...STUD, PLAIN, steel, 1/2 in. UNF both ends, 2 in. o/a lg		4	
24	A G1	5310-00-013-1101	...WASHER, LOCK, steel, split helical ring, 1/2 in. id		2	
25	A G1	5310-99-941-0818	...NUT, PLAIN, HEXAGON; UNF, steel, 1/2 in.		4	
26	A 6MT1	4730-99-801-1230	...LUBRICATING NIPPLE, brass, hex hd type, straight, 1/8 in. BSP.F male		2	

9.92



Chap 2 - 5

Fig 16 Brake assembly-rear

c46/98

FIG ITEM	MAN CODE NAVY - N ARMY - A RAF - R	NATO STOCK NUMBER	ITEM NAME AND DESCRIPTION	PART NO./ DRAWING NO.	NO. OFF	ANNOTATIONS
Fig 16			TRANSMISSION - contd .AXLE ASSEMBLY, AUTOMOTIVE DRIVING: rear - contd ..REAR BRAKES - contd			
27	A	6MT9	2530-99-838-6021 ...ADJUSTER, SLACK, BRAKE	278111	1	Rh
NI	A	6MT9	2530-99-838-6022 ...ADJUSTER, SLACK, BRAKE	278112	1	Lh
28	A	6MT10	3120-99-139-4356 ...WASHER, THRUST, steel, 1-33/64 in. id x 2-5/8 in. od x 3/32 in. thk	SL246-161	2	
29	A	8REBY	5360-99-816-9960 ...SPRING, HELICAL, COMPRESSION, steel, 2-5/8 in. od x 1/2 in. free lg	3221-165	2	
30	A	6MT1	5365-99-910-8205 ...RING, RETAINING, steel, circlip, for 1-1/2 in. dia shaft		2	
32	A	G1	5310-99-941-9410 ...WASHER, LOCK, rubber/steel, 3/8 in. id x 3/4 in. od x 3/32 in. thk		2	
33	A	8REBY	4730-99-817-1123 ...PLUG, SCREWED	SL321-8	2	
34	A	G1	5310-99-941-6659 ...WASHER, LOCK, steel, split helical ring, 9/16 in. id		4	
35	A	6MT10	2530-99-830-5139 ...PIN, ANCHOR, BRAKE SPRING; w/ thd shank	6954-82	4	
38	A	6MT9	5340-99-830-5143 ...PLUG, PROTECTIVE, DUST AND MOISTURE SEAL	2951-76	4	
39	A	G1	5310-99-941-6655 ...WASHER, LOCK, steel, split helical ring, 5/16 in. id		12	
40	A	G1	5305-99-941-0523 ...SCREW, MACHINE, UNF, steel, hex hd, 5/16 in. x 1/2 in. lg		12	

413

r

|

11/2

FIG ITEM	MAN CODE NAVY - N ARMY - A RAF - R	NATO STOCK NUMBER	ITEM NAME AND DESCRIPTION	PART NO./ DRAWING NO.	NO. OFF	ANNOTATIONS
NI	A	6MT4	2530-99-832-4609	TRANSMISSION - contd ..WHEELS AND TYRES - ..WHEEL, PNEUMATIC TYRE	01110784	4)
NI			NP	...RIM, WHEEL	01108806LI	1)
NI			NP	...DISC, WHEEL	0132507604	1)
NI	A	6MT14	2530-99-809-2566	...RING, LOCK, AUTOMOTIVE WHEEL	01101602	1)
NI	A	6MT14	2530-99-809-2801	...FLANGE, AUTOMOTIVE WHEEL	01201854	1)
)Front and)rear
NI	A	6MT14	2610-99-834-7998	..FLAP, RUST SLIP		4)
NI	A	6MT14	2610-12-174-7992	..INNER TUBE, PNEUMATIC TYRE		4)
NI	A	6MT14	2640-00-050-1229	..VALVE CORE, PNEUMATIC TYRE	6100T	4)
NI	A	6MT14	2640-00-052-0944	..CAP, PNEUMATIC TYRE VALVE	6300	4)
NI	A	6MT14	2610-99-832-4619	..TYRE, PNEUMATIC		4)

6/15



916

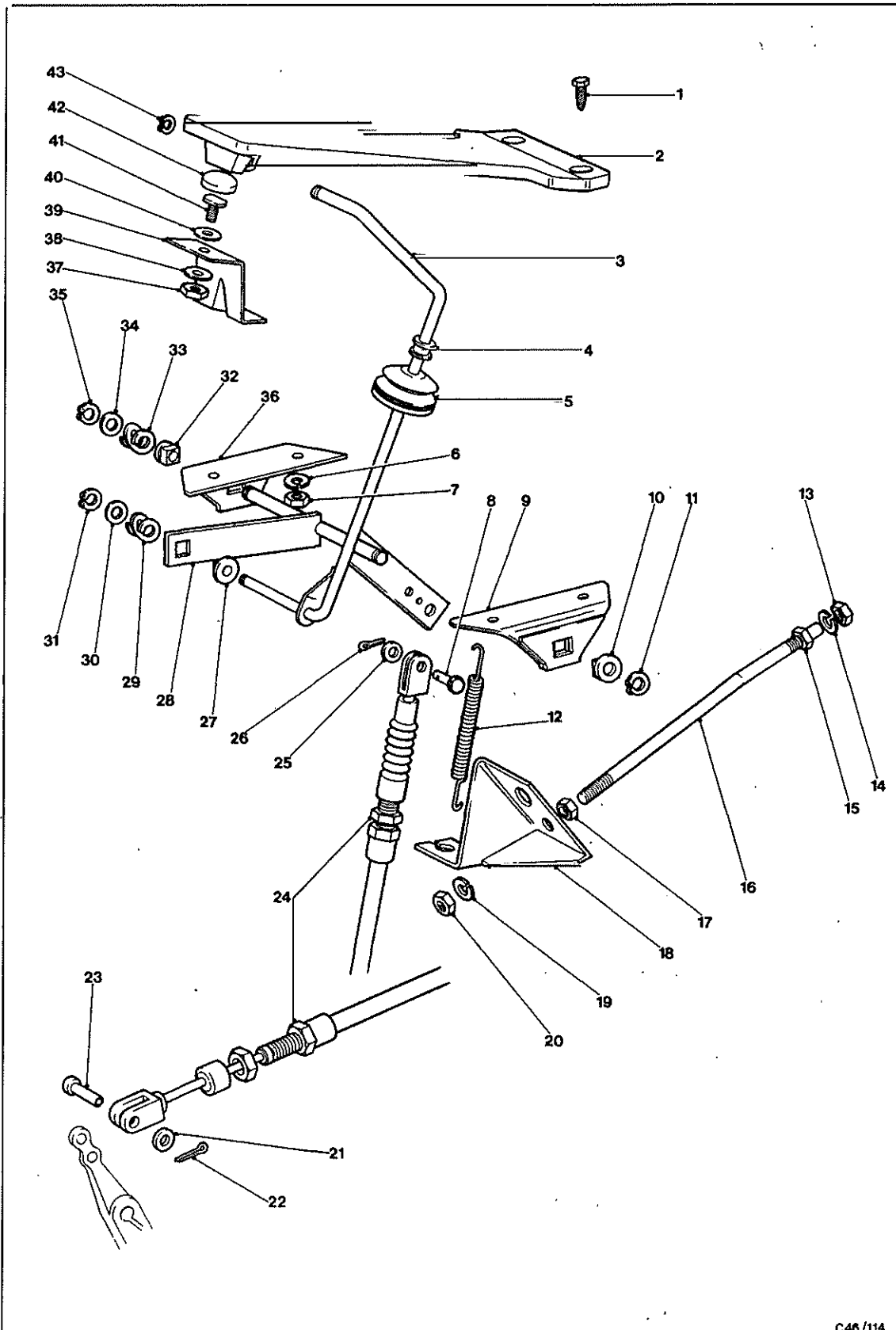
ARMY EQUIPMENT
SUPPORT PUBLICATIONS

2320-L-701-711

217

CHAPTER 2-6
CONTROLS

Issued Nov. 1983

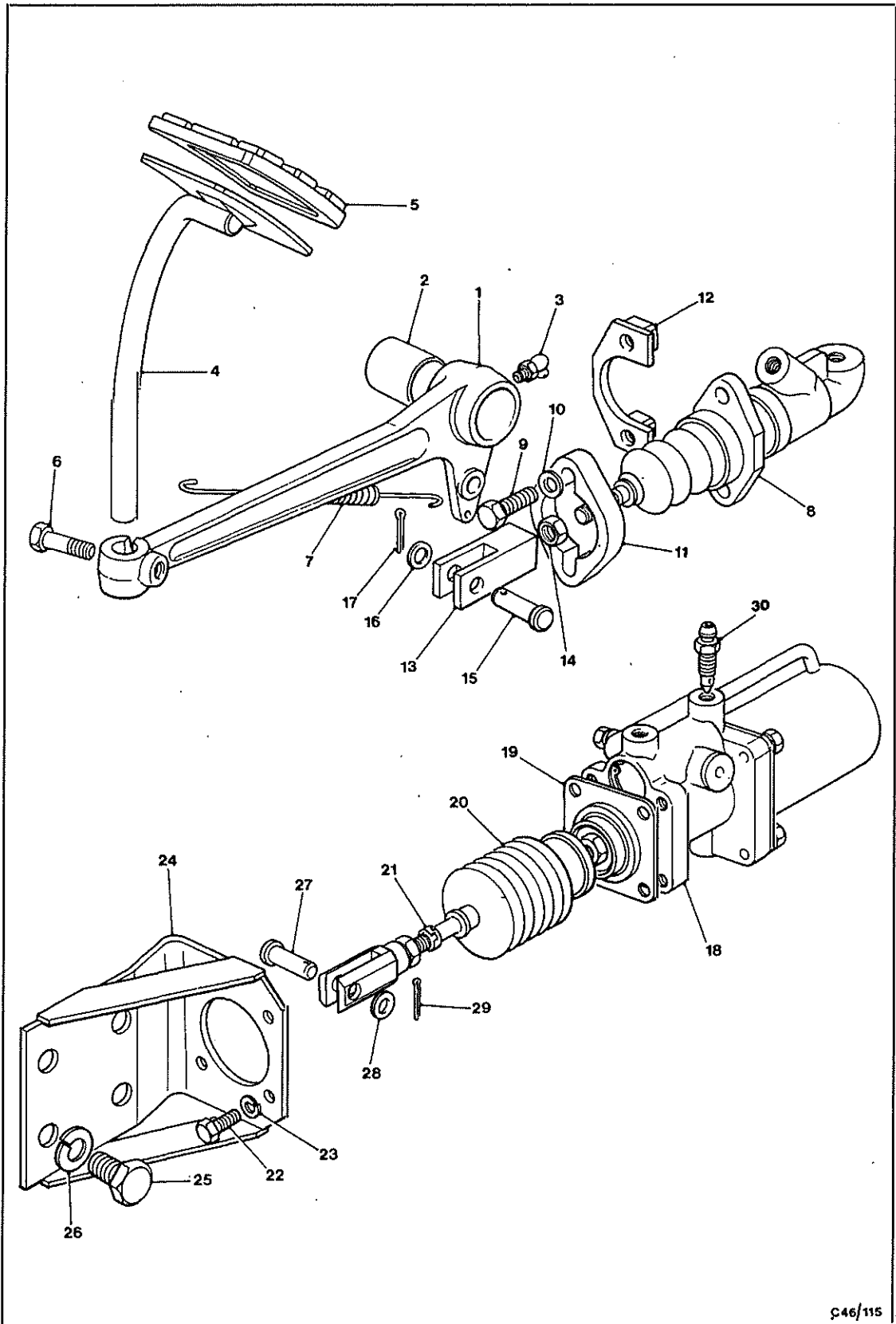


318

Fig1 Accelerator controls

FIG ITEM	MAN CODE NAVY - N ARMY - A RAF - R	NATO STOCK NUMBER	ITEM NAME AND DESCRIPTION	PART NO./ DRAWING NO.	NO. OFF	ANNOTATIONS
Fig 1						
2	A 7BD	2590-99-749-1960	CONTROLS - ..ACCELERATOR CONTROLS - ..PEDAL, CONTROL, steel, rubber pad, hinged, 284 mm o/a lg x 51 mm pedal w x 30 mm o/a h	9959792	1	
3	A 7BD	3040-99-836-3412	..CONNECTING LINK, RIGID, steel, welded assy	91077456	1	RHD
NI	A 7BD	3040-99-836-3413	..CONNECTING LINK, RIGID, steel, welded assy	91077458	1	LHD
NI	A 7BD	2590-99-749-1961	..SPACER, SLEEVE, steel, 0.266 in. id x 0.5 in. od x 0.31 in. lg	7207999	1	
4	A 7BD	5325-99-820-2040	..GROMMET, PLASTICS	7185694	1	
5	A 7BD	2540-99-820-2039	..BOOT, DUST AND MOISTURE SEAL	7185691	1	
10	A 7BD	5340-99-833-3481	..BUSHING, PLASTICS	9962305	2	
12	A 7BD	2510-99-832-2628	..SPRING, HELICAL, COMPRESSION	1033402	1	Pedal shaft to mtg bracket
NI	A 7BD	5360-99-749-1963	..SPRING, HELICAL, EXTENSION, steel, 16.8 mm od x 99 mm lg, hookends	91015246	1	Pedal return
NI	A 7BD	5360-99-836-3411	..SPRING, HELICAL, EXTENSION	91027549	1	Support to control lever
24	A 7BD	2590-99-747-8582	..CABLE ASSEMBLY, CONTROL, steel/plastics, 3192 mm o/a lg, yokes both ends	9968041	1	RHD
NI	A 7BD	2590-99-747-8596	..CABLE ASSEMBLY, CONTROL	9968042	1	LHD
NI	A 7BD	3040-99-836-3413	..CONNECTING LINK, RIGID, steel, welded assy	91077458	1)u/w LHD tipper
NI	A 7BD	2590-99-747-8596	..CABLE, ASSEMBLY CONTROLS, steel cable, 2082 mm lg, yokes both ends	9968042	1	
NI	A 7BD	5310-99-747-8597	..WASHER, FLAT, steel, rd, 13 mm id x 27 mm od x 6 mm thk	9962214	1)
27	A 7BD	5340-99-749-1962	..BUSHING, PLASTICS, nylon, 8.08 mm id, 11 mm sq neck, w/18 mm od flange, 5 mm lg	9963354	1	

614



Chap 2 - 6

Fig 2 Clutch pedal and controls

946/115

FIG ITEM	MAN CODE NAVY - N ARMY - A RAF - R	NATO STOCK NUMBER	ITEM NAME AND DESCRIPTION	PART NO./ DRAWING NO.	NO. OFF	ANNOTATIONS
Fig 2			CONTROLS - contd			
1-3		NP	.CLUTCH PEDAL AND CONTROLS -	9959335	1	
2	A	6MT1 3120-99-833-4673	..PEDAL ASSEMBLY, CLUTCH	MB3040DX	1	
3	A	6MT1 4730-99-801-1275	..BEARING, SLEEVE		1	
5	A	7BD 2540-99-833-2605	..LUBRICATING NIPPLE		1	
6	A	G1 5306-99-760-0806	..COVER, CLUTCH PEDAL PAD	9954766	1	
7	A	7BD 5360-99-748-1341	..BOLT	2712369	1	
8	A	6MT9 2520-99-833-4674	..SPRING	91030211	1	
NI	A	6MT9 2530-99-812-0398	..CYLINDER ASSEMBLY, CLUTCH	64066596	1	
			..PARTS KIT: clutch master cylinder	91007271	1	
13	A	6MT9 5340-99-748-1345	..FORK	91005263	1	
18-20	A	6MT9 2520-99-839-2769	..SERVOCYLINDER, CLUTCH	APGA1617	1	
NI	A	6MT9 2520-99-838-2262	..PARTS KIT: clutch serve	GA28698	1	
NI	A	6MT9 2520-99-729-8392	..PUSH ROD, CLUTCH SERVO, steel, 3/8 in.UNF x 9-7/8 in.lg	14512-5	1	
19	A	6MT9 2520-99-748-1349	..RETAINER	AP16999	1	
20	A	6MT9 2520-99-748-1348	..GAITER	SF1354-10	1	
21	A	6MT9 5340-99-748-1350	..CLIP	SF1420-5	1	
NI	A	7BD 2520-99-748-1351	..LEVER	9967848	1) } Clutch pedal cross shaft
NI	A	G1 5310-99-122-5297	..NUT		2	
NI	A	7BD 2540-99-833-4636	..PIN, PEDAL SUPPORT	9959339	1	
NI	A	G1 5310-99-122-5299	..NUT	11072771	1	
NI	A	7BD 5310-99-748-1355	..WASHER	2712368	2	
NI	A	G1 5310-99-208-6459	..WASHER, LOCK		2	
NI	A	G1 5305-99-122-4909	..SCREW, MACHINE, ISO metric steel, hex hd, 10 mm x 1.5 mm pitch x 20 mm lg		2	

926

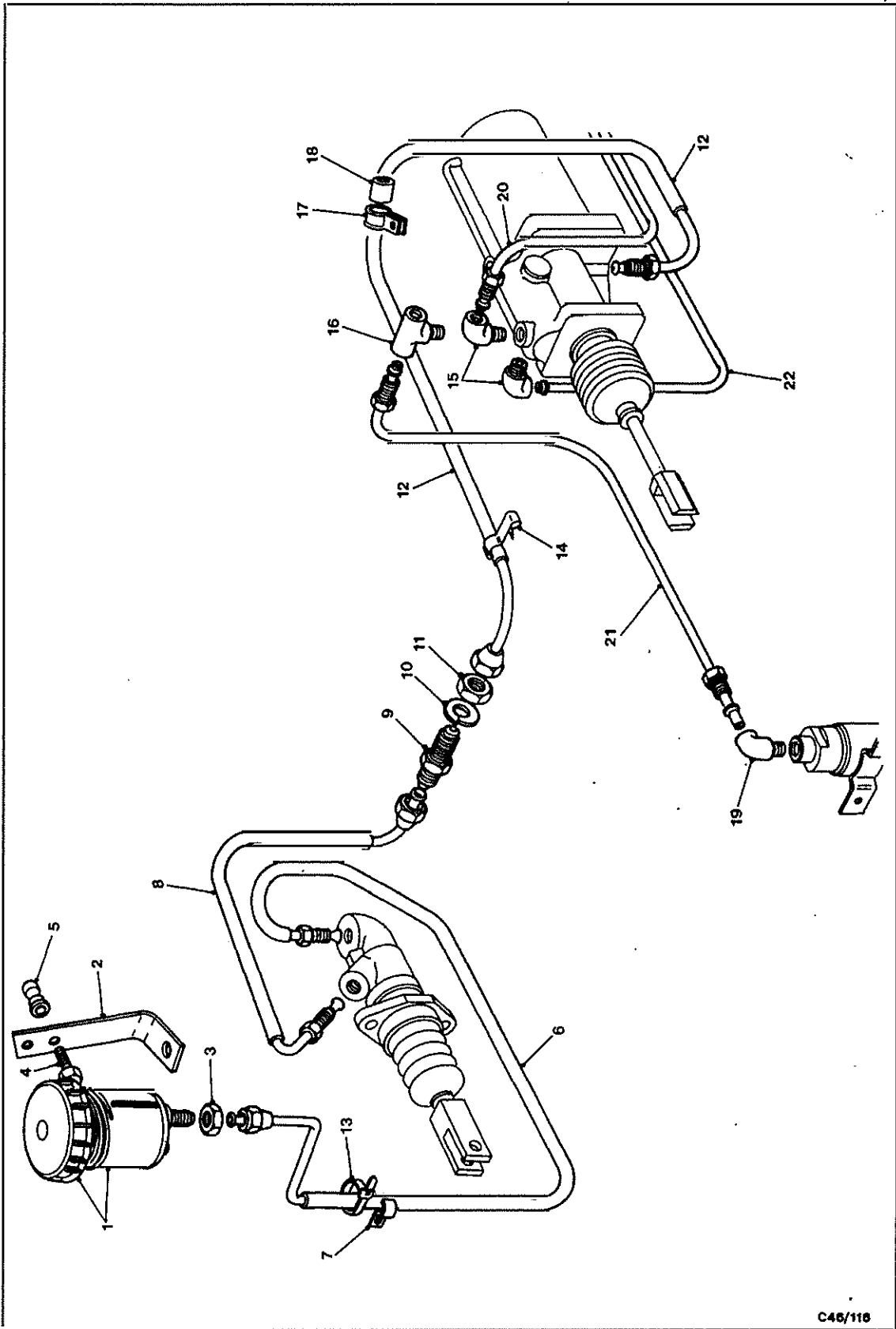
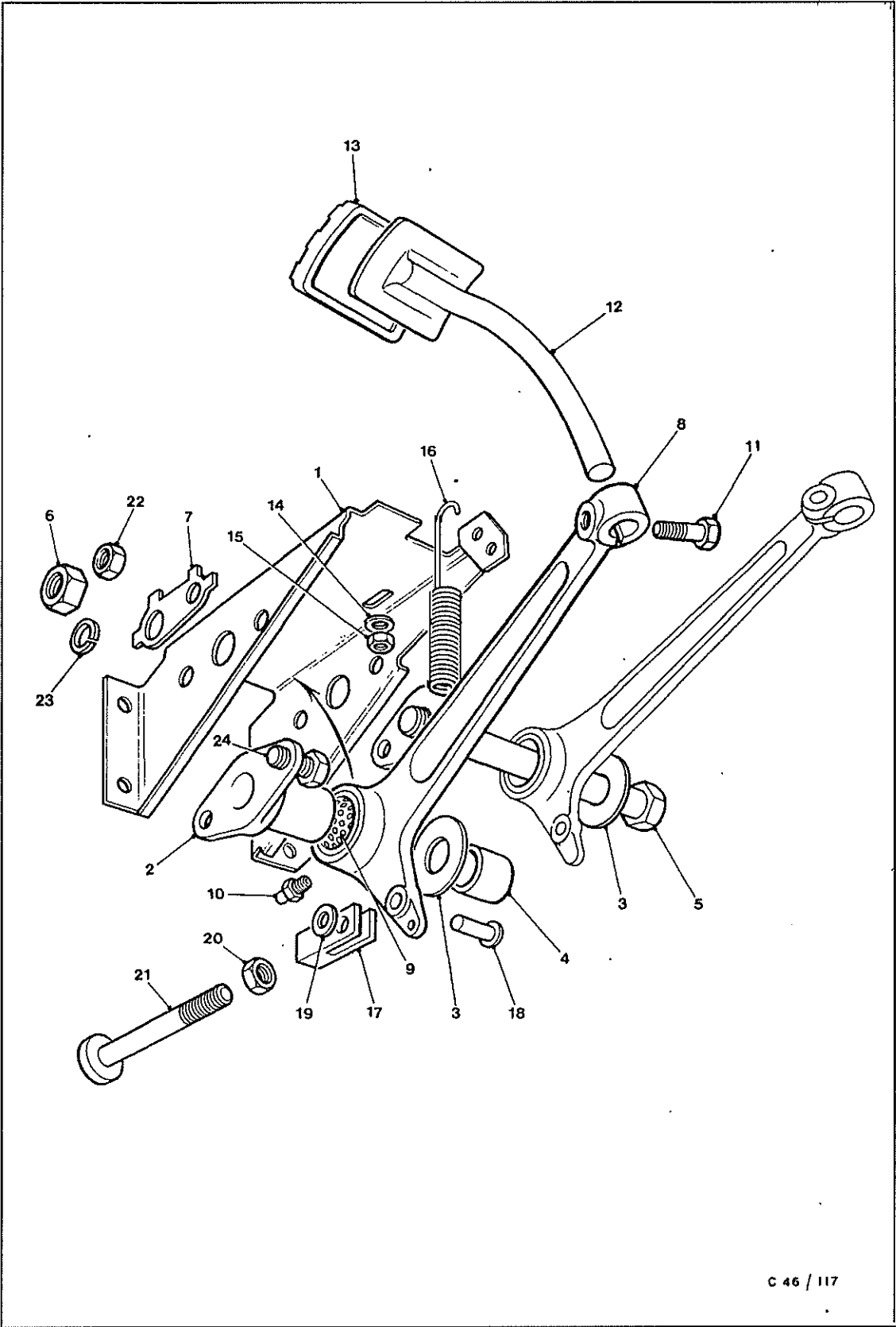


Fig 3 Clutch pipes and fittings

228

FIG ITEM	MAN CODE NAVY - N ARMY - A RAF - R	NATO STOCK NUMBER	ITEM NAME AND DESCRIPTION	PART NO./ DRAWING NO.	NO. OFF	ANNOTATIONS
Fig 3			CONTROLS - contd			
1	A		..CLUTCH PIPES AND FITTINGS -			
6	A	7BD 2520-99-833-2608	..RESERVOIR	2704231	1	
			..PIPE ASSEMBLY, HYDRAULIC			
8	A	7BD 2520-99-836-1932	CLUTCH: reservoir to master cylinder	91047969	1	
			..PIPE ASSEMBLY, HYDRAULIC			
9	A	7BD 4730-99-748-1361	CLUTCH: master cylinder to frame connector	91072407	1	
NI	A	6MT9 4720-99-748-1289	..CONNECTOR	9966290	1	
			..TUBING, PLASTICS, nylon, 5 mm od x 900 mm lg) AR
NI	A	6MT1 4730-99-827-0615	..INVERTED NUT, UNION, PIPE)
NI	A	6MT1 4730-99-827-0616	..SLEEVE COMPRESSION)
12	A	7BD 2520-99-833-2607	..PIPE ASSEMBLY, HYDRAULIC)
			CLUTCH: frame connector to servo	91047489	1	
14	A	7BD 5340-99-804-2569	..CLIP, SPRING TENSION	6358148) AR
NI	A	7BD 5340-99-748-1368	..STRAP	2705882)
15	A	7BD 4730-99-752-2537	..ADAPTOR, ELBOW, PIPE TO HOSE	91050548	1	
16	A	6MT1 4730-99-748-1365	..ADAPTOR, 3-way	9105389	1	
18	A	6MT9 4820-99-829-2784	..SLEEVE	2682125	1	

023



2.2.4

Fig 4 Brak p dal

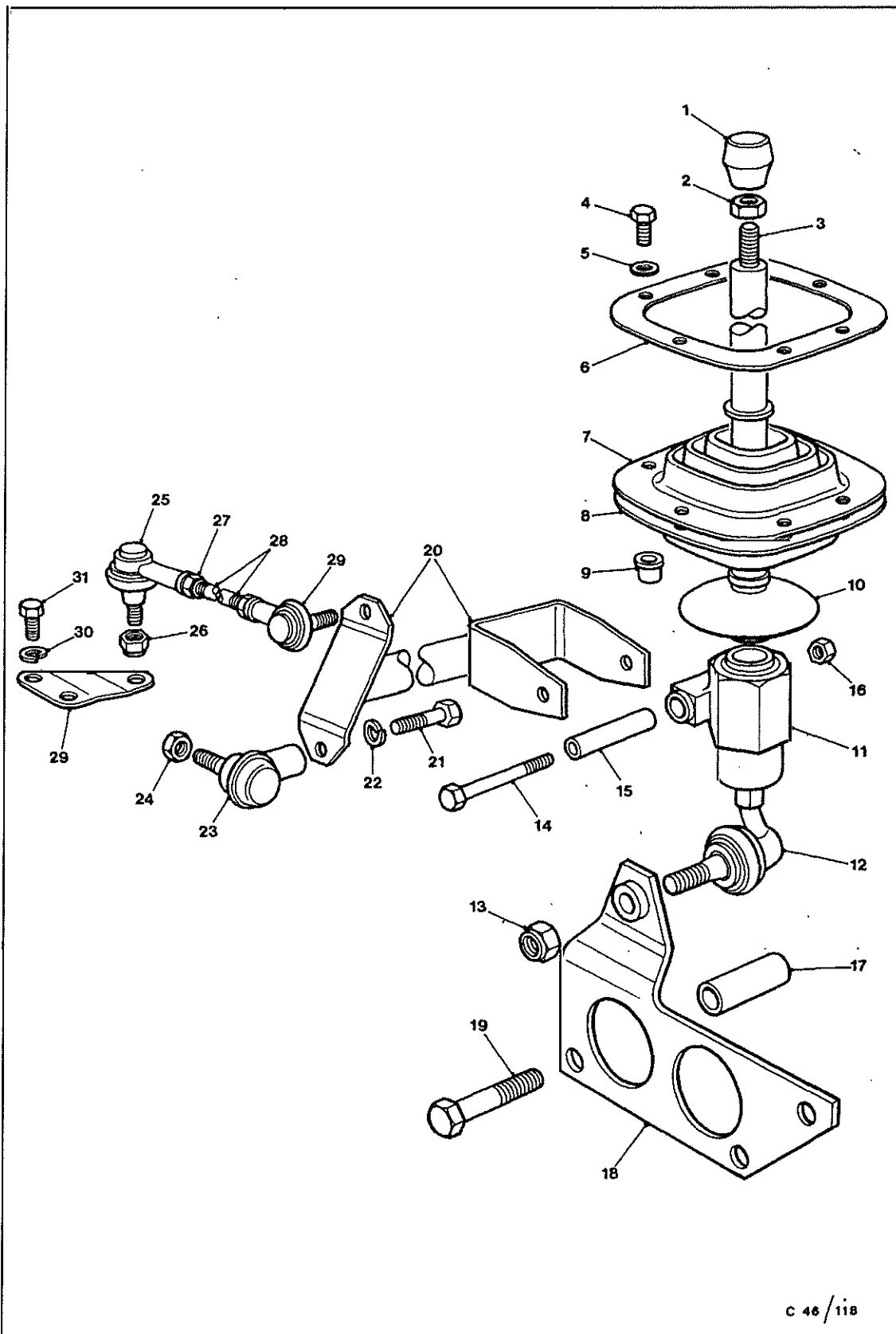
26.4

ARMY EQUIPMENT
SUPPORT PUBLICATIONS

2320-L-701-711

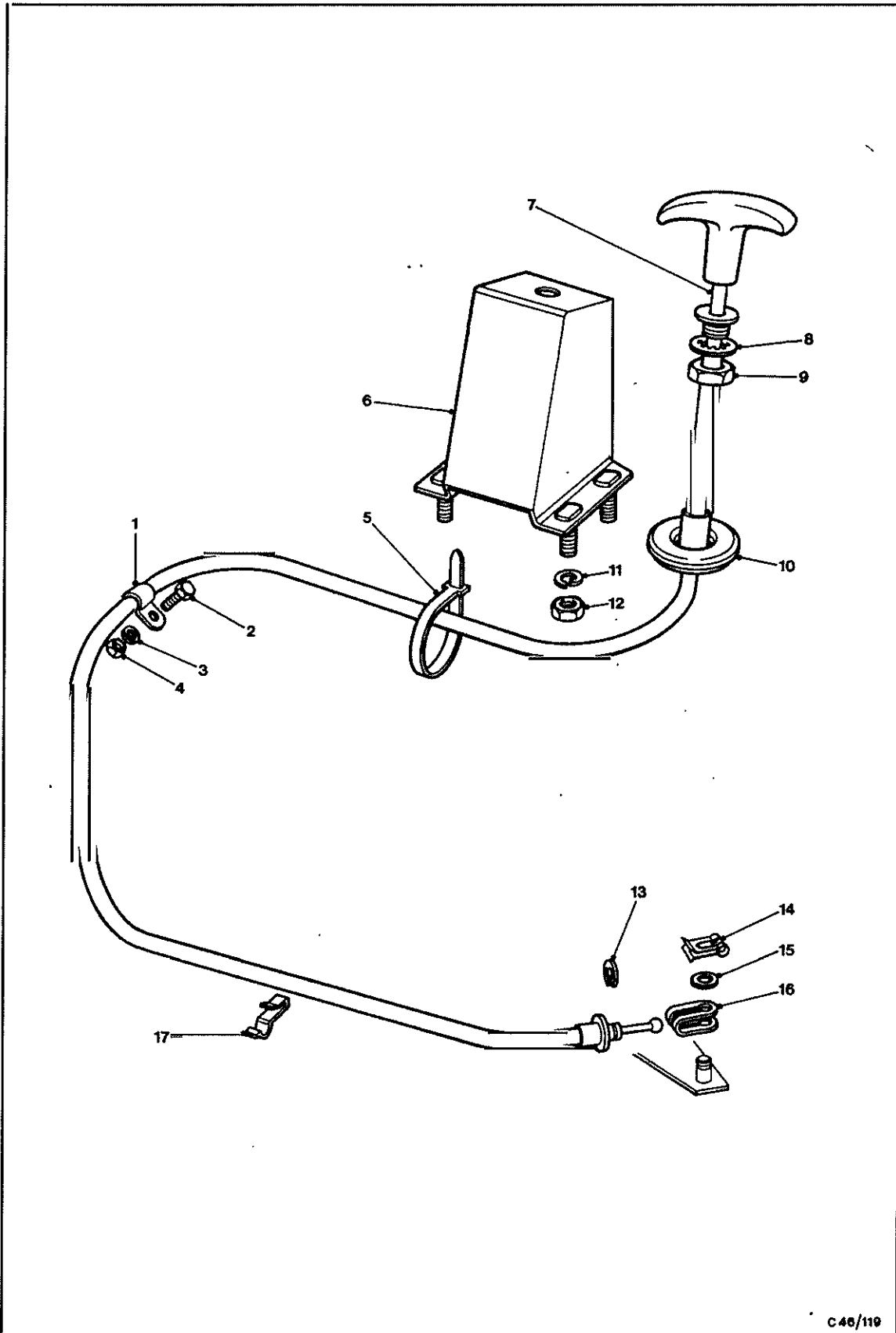
FIG ITEM	MAN CODE NAVY - N ARMY - A RAF - R	NATO STOCK NUMBER	ITEM NAME AND DESCRIPTION	PART NO./ DRAWING NO.	NO. OFF	ANNOTATIONS
Fig 4						
1		NP	CONTROLS - contd			
2		NP	.BRAKE PEDAL -			
3	A		..BRACKET	9959332	1	
4			..JOURNAL: brake pedal	9959338	1	
5	A		..WASHER	2712368	2	
6	A	7BD	..SPACER, BRAKE PEDAL JOURNAL	2712371	1	
7	A	2540-99-833-4636	..PIN, PEDAL SUPPORT	9959339	1	
8	A	7BD	..NUT	11072771	1	
9	A	2590-99-833-4634	..LOCKING PLATE, NUT AND BOLT	9959340	2	
10	A	NP	..PEDAL ASSEMBLY BRAKE	9959334	1	
11	A	6MT1	..BEARING, SLEEVE		1	
12	A	3120-99-833-4673	..LUBRICATING NIPPLE		1	
13	A	4730-99-801-1275	..BOLT, MACHINE	11076031	1	
14	A	G1	..WASHER, FLAT		2	
15	A	7BD	..NUT, PLAIN, HEXAGON	11040197	2	
16	A	7BD	..SPRING, HELICAL, EXTENSION	2712329	1	
17	A	7BD	..FORK END	2712366	1	
18	A		..PIN	11076571	1	
19	A	G1	..PIN, COTTER, SPLIT		1	
20	A	G1	..WASHER, FLAT		1	
21	A		..NUT	11013285	1	
22	A		..ROD, PUSH	2712365	1	
23	A		..NUT		2	
24	A	G1	..SCREW, MACHINE		2	

225



926

FIG ITEM	MAN CODE NAVY - N ARMY - A RAF - R	NATO STOCK NUMBER	ITEM NAME AND DESCRIPTION	PART NO./ DRAWING NO.	NO. OFF	ANNOTATIONS
Fig 5			CONTROLS - contd			
1	A	7BD	5355-99-833-3498	91022528	1	
2		NP	..GEARSHIFT - ..KNOB		1	
3	A	7BD	2590-99-749-8670		1	
		NP	..NUT		1	
6		NP	..LEVER, CONTROL, HAND, w/out knob, black, 368 mm o/a lg x M12 x 1.75 mm	91065024	1	
7	A	7BD	2540-99-833-4620	91014278	1	
8	A	7BD	5330-99-833-3497	91054147	1	
9	A	.	..PLATE, GAITER RETAINING	91054148	1	
10	A	7BD	2590-99-833-3496	91051174	12	
11-13	A	7BD	2590-99-749-8659	91054146	1	
		NP	..SEAL, RUBBER SPECIAL SHAPED		1	
		NP	..NUT		1	
		NP	..GUIDE, CONE		1	
12	A	6MT9	2590-99-749-8668	91082336	1	
		NP	..LEVER, REMOTE CONTROL: gear lever assy lower; c/w ball socket	J38142D	1	
		NP	...BALL JOINT: lower, gear lever ball socket assy, rh thd		1	
15	A	7BD	2590-99-749-8660	91004324	1	
17		NP	..PIPE, STEEL, 13.28 mm od x 1.5mm wall thk x 63.53 mm lg	91022314	3	
NI		NP	..SPACER: support bracket to cylinder hd, RHD	91052621	2	
18	A	7BD	2590-99-749-8658	91066426	1	
NI	A	7BD	2590-99-755-5606	91066427	3	
		NP	..BRACKET, EYE, ROTATING SHAFT, gear lever support bracket, RHD 3 holes 13 mm dia	J32692	1	
		NP	..BRACKET, EYE, ROTATING SHAFT, gear lever support bracket, LHD 2 holes 13 mm dia 1 hole 6.6 mm dia	TA823	1	
23-24	A	6MT9	2590-99-749-8664	91053756	1	
NI	A	6MT9	2590-99-749-8669	J30572	1	
25-29	A	7BD	2540-99-833-3499	J30572	1	
25	A	6MT9	2590-99-749-8662	J30573	1	
26	A	G1	5310-99-943-4299	J15688	2	
29	A	6MT9	2590-99-749-8663	J11874	2	
		NP	..SOCKET ASSEMBLY, TIE ROD; c/w boot & nut	J7297F	2	
		NP	..PARTS KIT: ball joint, lower gear lever ball socket	91066428	1	RHD
		NP	..TIE ROD ASSEMBLY	91066429	1	LHD
		NP	...ROD END, GEAR SHIFT: tie rod end assy, rh	91052631	1	
		NP	...NUT, SELF-LOCKING, HEXAGON, UNF, w/nylon insert, 3/8 in.		1	
		NP	...ROD END GEAR SHIFT: tie rod end assy, lh		1	
NI	A	6MT9	2590-99-749-8665	J15688	2	
NI	A	6MT9	2590-99-749-8666	J11874	2	
NI	A	6MT9	2590-99-749-8667	J7297F	2	
NI	A	7BD	2520-99-747-8578	91066428	1	RHD
NI	A	7BD	2520-99-747-8589	91066429	1	LHD
NI	A	7BD	2590-99-747-8590	91052631	1	
NI	A	6MT10	2520-99-726-4570	91118112	1	RHD
NI	A	6MT10	2520-99-721-4571	91118111	1	LHD

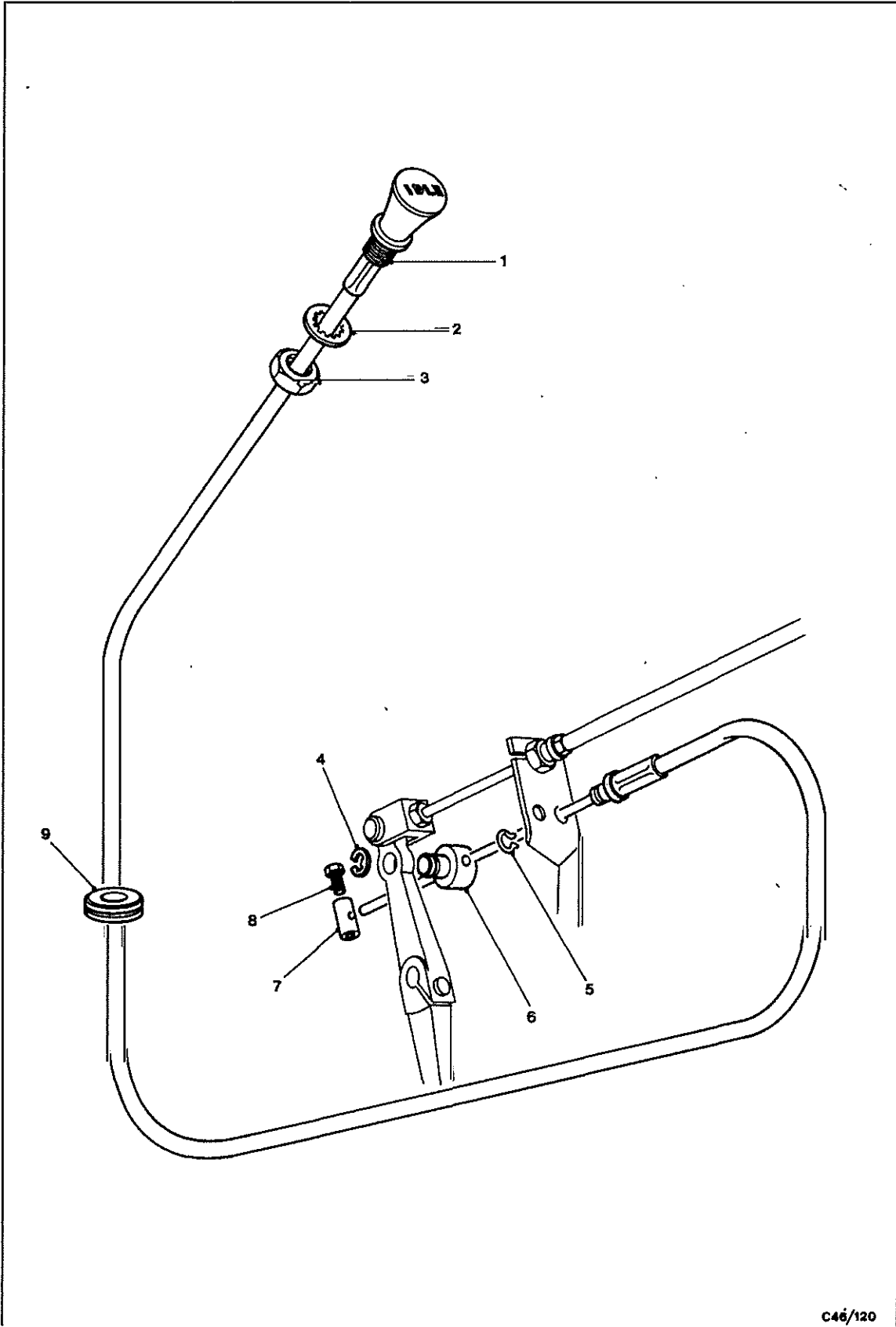


228

Fig 6 Excess fuel control

FIG ITEM	MAN CODE NAVY - N ARMY - A RAF - R	NATO STOCK NUMBER	ITEM NAME AND DESCRIPTION	PART NO./ DRAWING NO.	NO. OFF	ANNOTATIONS
Fig 6						
1	A 7BD	5340-99-749-1966	CONTROLS - contd ..EXCESS FUEL CONTROL - ..STRAP, RETAINING, steel, single, 7.8 mm grip dia x 12 mm w x 25.2 mm lg	91074302	1	
6		NP	..BRACKET, PULL ROD, rh, LHD	91076267	1	
NI		NP	..BRACKET, PULL ROD, lh, RHD	91076268	1	
NI	A 7BD	2990-99-794-0362	..CONTROL ASSEMBLY, PUSH-PULL: excess fuel	91074457	1	Up to CH No ET700203
NI	A 7BD	2990-99-794-0363	..CONTROL ASSEMBLY, PUSH-PULL: excess fuel	91092706	1	From CH No. ET700204
16	A 7BD	5340-99-749-1965	..FORK END, steel, 23 mm o/a lg x 12 mm x 16 mm h, 2 holes 8.5 mm dia, 2.25 mm w slot	91068164	1	
NI	A 7BD	5315-99-830-2472	..NIPPLE	9964745	1	Stop control

2026



230

Chap 2 - 6

Fig 7Idl contr is

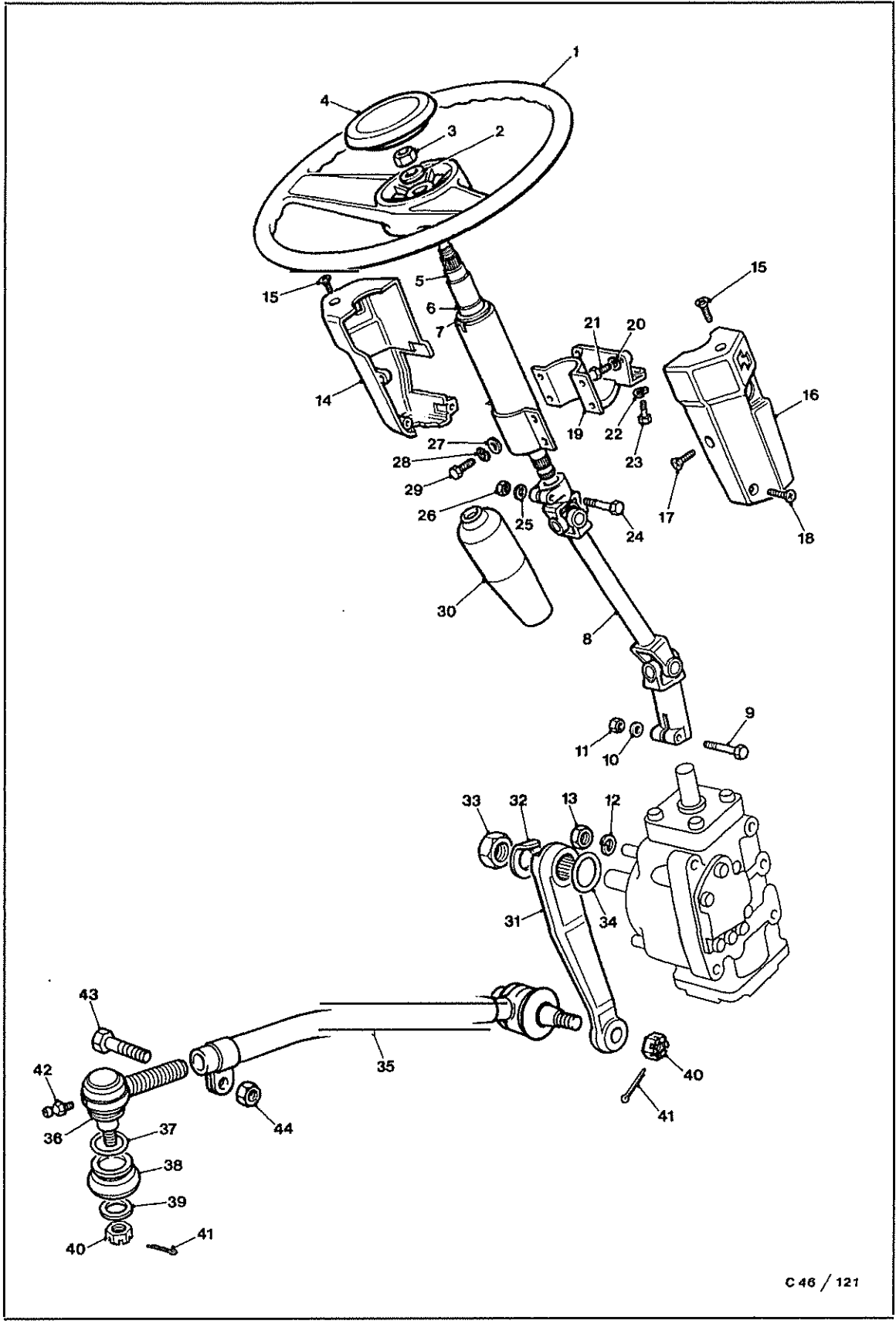
C46/120

240

FIG ITEM	MAN CODE NAVY - N ARMY - A RAF - R	NATO STOCK NUMBER	ITEM NAME AND DESCRIPTION	PART NO./ DRAWING NO.	NO. OFF	ANNOTATIONS
Fig 7						
1	A	7BD	2590-99-836-6665	CONTROLS - contd .IDLE CONTROL - ..CONTROL ASSEMBLY, PUSH-PULL, 3830 mm o/a lg, black knob	91069593	1 RHD
NI	A	7BD	2590-99-747-8598	..CONTROL ASSEMBLY, PUSH-PULL	91083948	1 LHD
2	A	G1	5310-99-912-9584	..WASHER, LOCK		1
3	A	G1	5310-99-120-7678	..NUT, PLAIN, HEXAGON		1
4			NP	..CIRCLIP	11051531	1
5	A	7BD	5340-99-749-1964	..STRAP, RETAINING, steel, single, 0.36 in. dia grip, 1.36 in. o/a lg x 0.76 in. w	9961137	1
6	A	7BD	5315-99-745-1555	..PIN, STRAIGHT, HEADED	91047390	1
NI	A	7BD	5365-99-745-1556	..SPACER	91047391	1
7	A	7BD	5315-99-830-2472	..NIPPLE	9964745	1
8	A	G1	5330-99-138-4827	..SCREW, MACHINE		1
9	A	7BD	5325-99-825-3589	..GROMMET, RUBBER	7128917	1
NI	A	7BD	5340-99-824-6033	..STRAP, LINE SUPPORTING	8838564	2
NI	A	7BD	2590-99-752-2666	.STOP CONTROL, MANUAL - ..CONTROL ASSEMBLY, PUSH-PULL, assy of inner and outer cables	91074448	1)) RHD
NI	A	7BD	2590-99-836-3414	..CONTROL ASSEMBLY, PUSH-PULL, inner cable only, 3600 mm lg	91074456	1)
NI	A	7BD	2590-99-752-2665	..CONTROL ASSEMBLY, PUSH-PULL, assy of inner and outer cables	91074447	1)) LHD
NI	A	7BD	2590-99-836-6663	..CONTROL ASSEMBLY, PUSH-PULL, inner cable only, 2670 mm lg	91074455	1)
			.STOP CONTROL, ELECTRICAL - see Chap 2-1 Page 54			

231

239



C 46 / 121

Chap 2-6

Fig 8 Steering gear

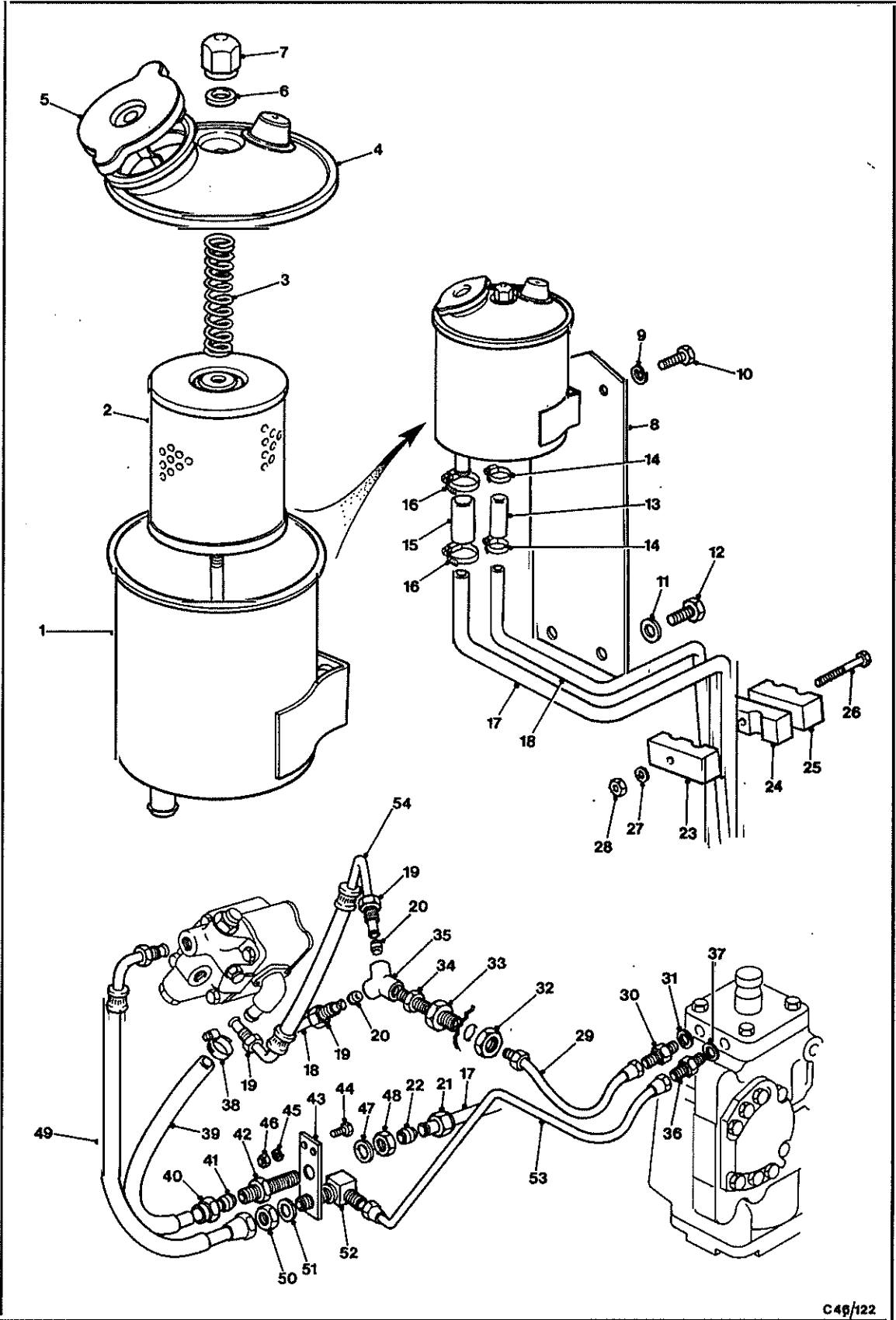
FIG ITEM	MAN CODE NAVY - N ARMY - A RAF - R	NATO STOCK NUMBER	ITEM NAME AND DESCRIPTION	PART NO./ DRAWING NO.	NO. OFF	ANNOTATIONS
Fig 8						
5	A	7BD	2530-99-833-2865	..COLUMN, STEERING GEAR	91020103	1
6	A	7BD	2530-99-749-8672	..BUSH, STEERING COLUMN, inner	91021330	2
7	A	7BD	2530-99-749-8673	..BUSH, STEERING COLUMN, outer	91021331	2
8	A	7BD	2530-99-836-6676	..SHAFT ASSEMBLY, STEERING	91068793	1
14	A	7BD	2530-99-833-2899	..CANOPY, STEERING COLUMN HOUSING	91048159	1
NI	A	7BD	5340-99-749-8674	..BUSHING, PLASTICS, nylon, 3 mm id x 8.5 mm od	91043657	2
15		NP		..SCREW		2
16	A	7BD	2530-99-833-2866	..CANOPY, STEERING COLUMN HOUSING	91048158	1
NI	A	6MT4	5930-99-813-5249	..SWITCH, IGNITION AND STARTER, 1-3/4 in. dia, 2-1/2 in. lg	1533692	1
NI	A	7BD	5930-99-813-6590	..LOCKING RING, IGNITION SWITCH, steel, 0.770 in. UN thd, 15/16 in od, 11/32 in. thk	6367011	1
NI	A	6MT4	2540-99-807-2832	..BARREL ASSEMBLY, ignition switch c/w two keys	6385391	1
30	A	7BD	2530-99-833-5644	..GAITER, STEERING COLUMN	91007672	1
NI	A	7BD	2530-99-749-8671	..WASHER, KEY, steel, 1 ext key, 15 mm id x 60 mm lg x 30 mm w	91069852	1
NI	A	7BD	5325-99-749-8675	..GROMMET, RUBBER, split, 95 mm o/a dia x 26.5 mm hole dia, 50 mm groove dia x 5 mm w	91051195	1
31	A	7BD	2530-99-747-8580	..DROP ARM, STEERING, steel, offset, 200 mm o/a lg	91049306	1
NI	A	7BD	2530-99-747-8592	..DROP ARM, STEERING	91049307	1
32	A	6MT9	2530-99-749-8678	..WASHER, FLAT, 43 mm id x 82.5 mm od x 1.22 mm thk	34001535	1
33	A	6MT9	2530-99-749-8676	..NUT, PLAIN, HEXAGON, steel, M42 x 1.5 mm	3000623	1
34	A	6MT9	2530-99-749-8677	..SPACER, SLEEVE, 50 mm id x 75 mm od x 30 mm lg	32000591	1
35-42	A	7BD	2530-99-744-9228	..DRAG LINK, STEERING, steel, 769 mm o/a lg	91083662	1
NI	A	7BD	2530-99-747-8593	..DRAG LINK, STEERING, steel, 769 mm o/a lg	91083661	1
35	A	6MT9	2530-99-061-1712	...ROD END, STEERING	J37694	1
NI	A	6MT9	2530-99-747-8594	..ROD END, STEERING	J37695	1
36-41	A	6MT9	2530-99-749-8679	...ROD END, STEERING, c/w nut & gaiter; 1h thd	J31995	1
37	A	7BD	5360-99-825-5314SPRING, GARTER	6388860	1
38	A	6MT9	2530-99-761-3234BOOT, DUST AND MOISTURE SEAL, ball joint w/retaining ring	J34087	1
39	A	6MT9	2530-99-749-1949RING, RETAINING, boot retainer; 30.5 mm id x 36.5 mm od	J36099	1
40	A	G1	5310-99-136-4299NUT		1
42	A	6MT1	4730-99-943-9374	..LUBRICATING NIPPLE		1
43	A	G1	5306-99-122-2776	..BOLT, MACHINE, ISO metric, steel, hex hd, 10 mm x 1.5 mm pitch x 55 mm lg		1
44	A	G1	5310-99-122-5297	..NUT, PLAIN HEXAGON, ISO metric, steel, 10 mm		1
NI	A	6MT9	2530-99-836-6674	..STEERING GEAR, assy	13000352	1
NI	A	6MT9	2530-99-753-9516	..PARTS KIT, STEERING GEAR: sector seals, 9 items	HSK 404	1

233

234

FIG ITEM	MAN CODE NAVY - N ARMY - A RAF - R	NATO STOCK NUMBER	ITEM NAME AND DESCRIPTION	PART NO./ DRAWING NO.	NO. OFF	ANNOTATIONS	
NI	A	6MT9	2530-99-752-2609	CONTROLS - contd .PARTS KIT, STEERING GEAR: sector shaft kit, 15 items	HSK 502	1	
NI	A	6MT9	2530-99-752-2610	.PARTS KIT, STEERING GEAR: seal and overhaul kit, 35 items	HSK 602	1	
NI	A	6MT9	2530-99-752-2611	.PARTS KIT, STEERING GEAR: worm gear and rack	91062450	1	
NI	A	6MT9	2530-99-836-6675	..STEERING GEAR, assy	13000353	1	LHD
NI	A	6MT9	2530-99-753-9516	.PARTS KIT, STEERING GEAR: sector seals, 9 items	HSK 404	1	
NI	A	6MT9	2530-99-752-2609	.PARTS KIT, STEERING GEAR: sector shaft kit, 15 items	HSK 502	1	
NI	A	6MT9	2530-99-752-2610	.PARTS KIT, STEERING GEAR: seal and overhaul kit, 35 items	HSK 602	1	
NI	A	6MT9	2530-99-752-2608	.PARTS KIT, STEERING GEAR: worm gear and rack	HSK 703	1	

935

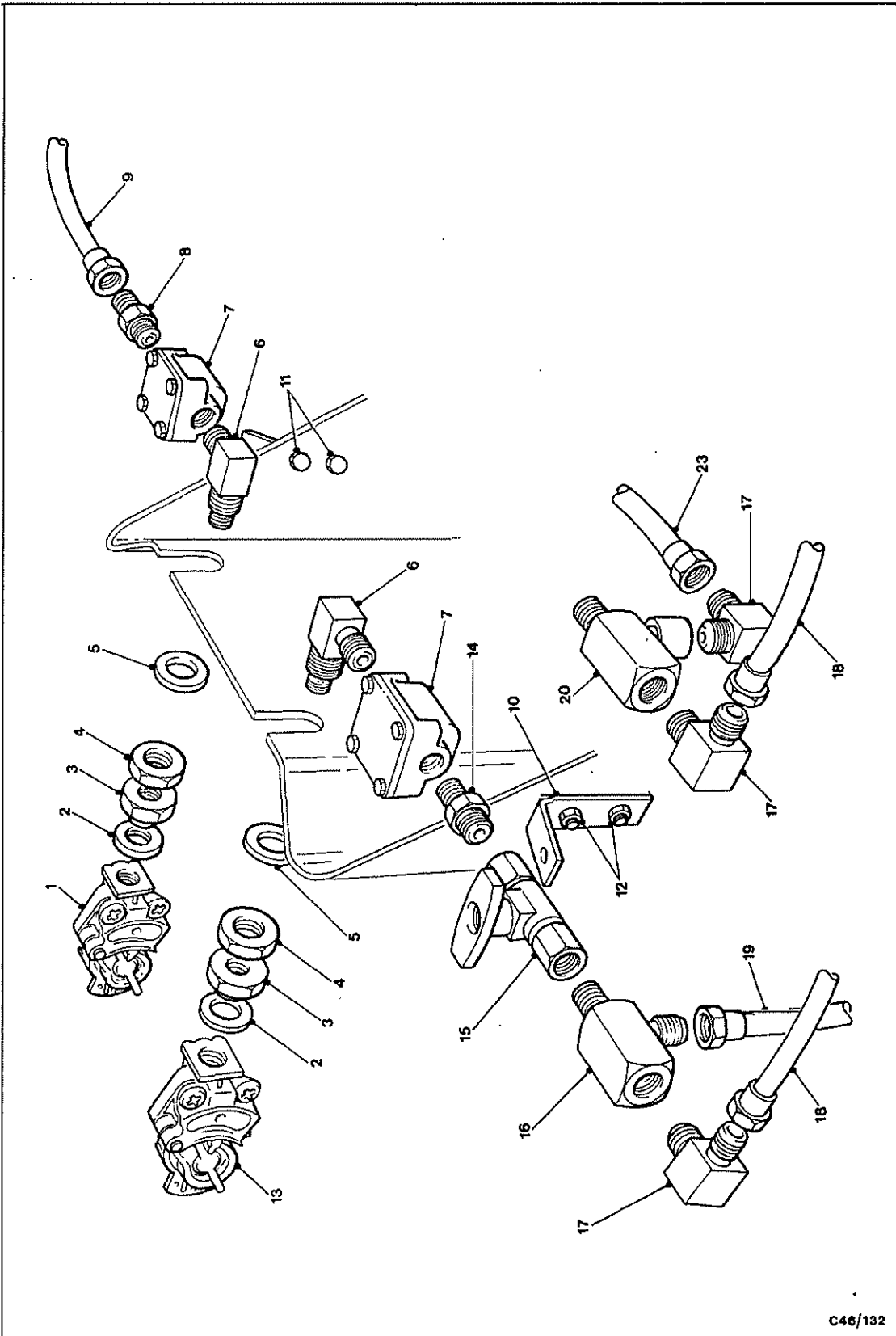


936

Fig 9 Power steering reservoir and fittings

FIG ITEM	MAN CODE NAVY - N ARMY - A RAF - R	NATO STOCK NUMBER	ITEM NAME AND DESCRIPTION	PART NO./ DRAWING NO.	NO. OFF	ANNOTATIONS
Fig 9			CONTROLS - contd			
1-7	A 6MT9	2530-99-749-1950	..POWER STEERING RESERVOIR AND FITTINGS - ..RESERVOIR, POWER STEERING; c/w filler cap & mtg bracket, 5.34 in. od	P417196	1	
2	A 6MT1	2530-99-822-1065	...FILTER ELEMENT, FLUID PRESSURE	FP3349	1	
3	A 7FD	5360-99-822-6499	...SPRING, HELICAL, COMPRESSION	C5NN3N585B	1	
5	A 6MT9	2530-99-749-1951	...CAP, FILLER OPENING, cam lug type	32000353	1	
NI 6	A 6MT9	5330-99-825-7931	...GASKET	137692	1	
13	A 7BD	5310-99-137-1027	...WASHER, FLAT	40052	1	
NI 13	A 7BD	4720-99-792-3339	..HOSE	2713328	AR	
NI 15	A 7BD	4720-99-833-2884	..HOSE ASSEMBLY, RUBBER	91114503	1	
		NP	..HOSE	91053714	1	
		NP	..HOSE	7200095	1	
19	A 6MT1	4730-99-835-0703	..INVERTED NUT, UNION, PIPE		3	
20	A 6MT1	4730-99-831-9967	..SLEEVE, COMPRESSION, PIPE-HOSE FITTING		3	
32	A 6MT1	4730-99-749-1956	..NUT, PLAIN, HEXAGON, brass, M24 x 1.5 mm pitch		1	
33	A 6MT1	4730-99-749-1955	..COUPLING, PIPE, brass, M18 x 1.5 mm pitch female both ends		1	
34	A 6MT1	4730-99-749-1954	..DOUBLE-ENDED UNION, PIPE, MALE, brass, M18 x 1.5 mm pitch		1	
35	A 6MT1	4730-99-749-1957	..WYE, PIPE, brass, M18 x 1.5 mm pitch, female, 3 ends		1	
54	A 7BD	4720-99-749-1943	..HOSE ASSEMBLY, RUBBER, 10 mm id, w/pipe bend fitting both ends, 500 mm lg	91064684	1	
NI	A 6MT1	5330-99-124-2507	..GASKET		1	
NI	A 6MT1	5330-99-943-6628	..GASKET		1	
NI	A 7BD	4710-99-836-3421	..PIPE, STEEL, 15 mm od x 1722 mm o/a lg, 1 mm wall thk	91074442	1	
NI	A 7BD	4710-99-836-3424	..PIPE, STEEL, 12 mm od x 583 mm o/a lg, 0.7mm wall thk, c/w union nuts	91074437	1	
NI	A 7BD	4710-99-836-3422	..PIPE, STEEL, 12 mm od, flared at one end	91074438	1	
NI	A 7BD	4710-99-836-3423	..PIPE, STEEL, 12 mm od x 1591 mm o/a lg, 0.7 mm wall thk	91074441	1	
NI	A 7BD	4710-99-836-3426	..PIPE, STEEL, 15 mm od x 874 mm lg	91074435	1)
NI	A 7BD	4710-99-836-3429	..PIPE, STEEL, 12 mm od x 1460 mm lg, both ends flared for union nuts	91074439	1)
NI	A 7BD	4710-99-836-3427	..PIPE, STEEL, 12 mm od x 1921 mm lg, one end flared for union nut	91074440	1) u/w LHD tipper
NI	A 7BD	4710-99-836-3428	..PIPE, STEEL, 12 mm od x 487 mm lg	91074436	1)
NI	A 7BD	5340-99-833-2877	..STRAP, RETAINING, nylon, double	9963492	5)
NI	A 7BD	5340-99-747-8595	..STRAP, RETAINING, nylon, double	9963493	1)
NI	A 7BD	5340-99-836-3425	..STRAP, RETAINING, nylon, double 12 mm and 15 mm grip dias	91067612	AR)

128



C48/132

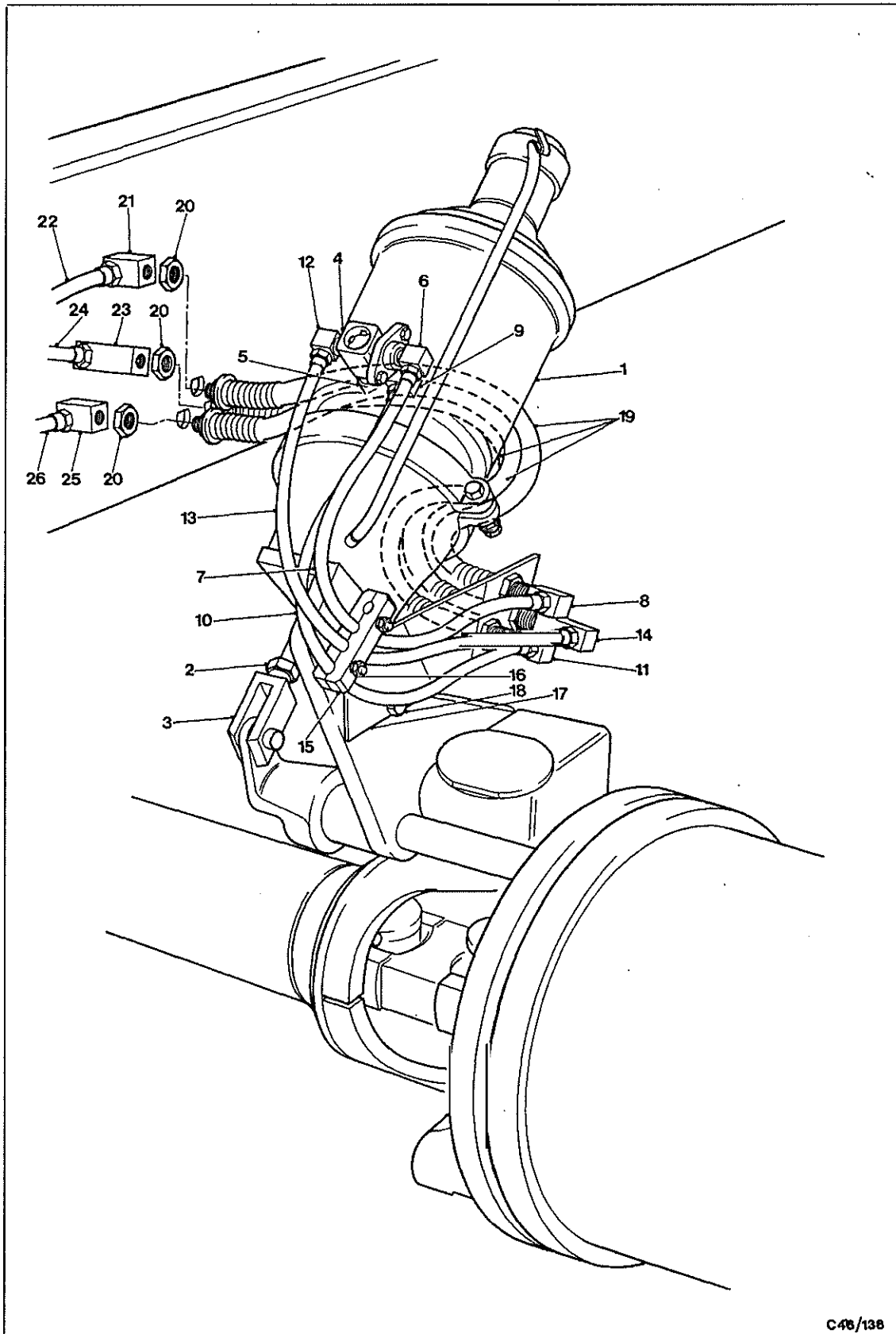
Fig10 Front trailer couplings and pipes

FIG ITEM	MAN CODE NAVY - N ARMY - A RAF - R	NATO STOCK NUMBER	ITEM NAME AND DESCRIPTION	PART NO./ DRAWING NO.	NO. OFF	ANNOTATIONS
Fig 10			CONTROLS - contd			
1	A	6MT9	4730-99-833-4699	..AIR PRESSURE SYSTEM - ..COUPLING HALF, QUICK DISCONNECT	452-200-020-0	1
3	A	7BD	4730-99-748-1847	..ADAPTOR, BUSHING, steel, M22 x 1.5 mm pitch male thd, 3/8 in. NPSI female thd	91049728	2
4	A	G1	5310-12-146-8425	..NUT, PLAIN, HEXAGON		2
5				..WASHER		2
6	A	7BD	4730-99-748-2334	..ADAPTOR, ELBOW, PIPE, steel, M22 x 1.5 mm pitch x 3/8 in. NPTF male thd one end, 3/8 in. NPTF male thd other end	11499535 91093273	2
7	A	7BD	2530-99-743-8363	..FILTER, FLUID, PRESSURE		2
8	A	7BD	4730-99-748-2335	..ADAPTOR, STRAIGHT, PIPE, steel, 3/8 in. NPTF male thd one end, M16 x 1.5 mm pitch thd other end	11499063	1
9		NP		..PIPE ASSEMBLY	91082475	1
NI	A	6MT9	4710-99-829-9272	...PIPING, PLASTICS, SEMI-RIGID	C606 YELLOW	AR
NI	A	7BD	4730-99-833-5528	...NUT, UNION, PIPE	91035373	2
NI	A	6MT9	4730-99-829-7966	...SLEEVE	LA06-81	2
NI	A	6MT9	4730-99-829-7967	...BARBED INSERT, HOSE COUPLING	LA06-06NS50	2
10		NP		..SUPPORT BRACKET	91052713	2
11	A	G1	5305-99-122-5366	..SCREW, MACHINE		4
NI	A	G1	5310-99-135-9302	..WASHER, LOCK		4
12	A	7BD	5310-99-137-8017	..NUT, PLAIN, HEXAGON		4
13	A	6MT9	4730-99-833-4842	..COUPLING HALF, QUICK DISCONNECT	452-200-012-0	1
14	A	7BD	4730-99-748-1848	..REDUCER, PIPE, steel, 1/2 in. NPTF male thd one end, 3/8 in. NPTF male thd other	11499236 91047405	1
15	A	7BD	2590-99-833-4645	..COCK, SHUT-OFF		1
16	A	7BD	4730-99-747-8579	..ADAPTOR, TEE, PIPE, steel, 1/2 in. NPTF male to 1/4 in. NPTF female to 18 mm male	11499558	1
17	A	7BD	4730-99-748-1762	..ADAPTOR, ELBOW, PIPE, steel, M18 x 1.5 mm pitch thd one end, 1/4 in. NPTF male thd other end	11499072	1
18		NP		..PIPE ASSEMBLY	91083624	1
NI	A	6MT9	4710-99-833-8447	...PIPING, PLASTICS, SEMI-RIGID	C608 RED	AR
NI	A	7BD	4730-99-833-5531	...NUT, UNION, PIPE	91035370	2
NI	A	6MT9	4730-99-833-5530	...SLEEVE, FLARED, PIPE FITTING	LA0881	2
NI	A	6MT9	4730-99-833-5529	...INSERT, FLARED, PIPE FITTING	LA08NS50	2
19		NP		..PIPE ASSEMBLY	91077447	1
NI	A	6MT9	4710-99-833-8447	...PIPING, PLASTICS, SEMI-RIGID	C608 RED	AR
NI	A	7BD	4730-99-833-5531	...NUT, UNION, PIPE	91035370	2
NI	A	6MT9	4730-99-833-5530	...SLEEVE, FLARED, PIPE FITTING	LA0881	2
NI	A	6MT9	4730-99-833-5529	...INSERT, FLARED, PIPE FITTING	LA08NS50	2
20	A	7BD	4730-99-747-8591	..ADAPTOR, TEE, PIPE	11499559	1
21		NP		..PIPE ASSEMBLY	91070353	1
NI	A	6MT9	4710-99-833-8447	...PIPING, PLASTICS, SEMI-RIGID	C608 RED	AR
NI	A	7BD	4730-99-833-5531	...NUT, UNION, PIPE	91035310	2
NI	A	6MT9	4730-99-833-5530	...SLEEVE, FLARED, PIPE FITTING	LA0881	2
NI	A	6MT9	4730-99-833-5529	...INSERT, FLARED, PIPE FITTING	LA08NS50	2

239

} u/w right
hand
drive
vehicles

}
u/w left
hand
drive
vehicles



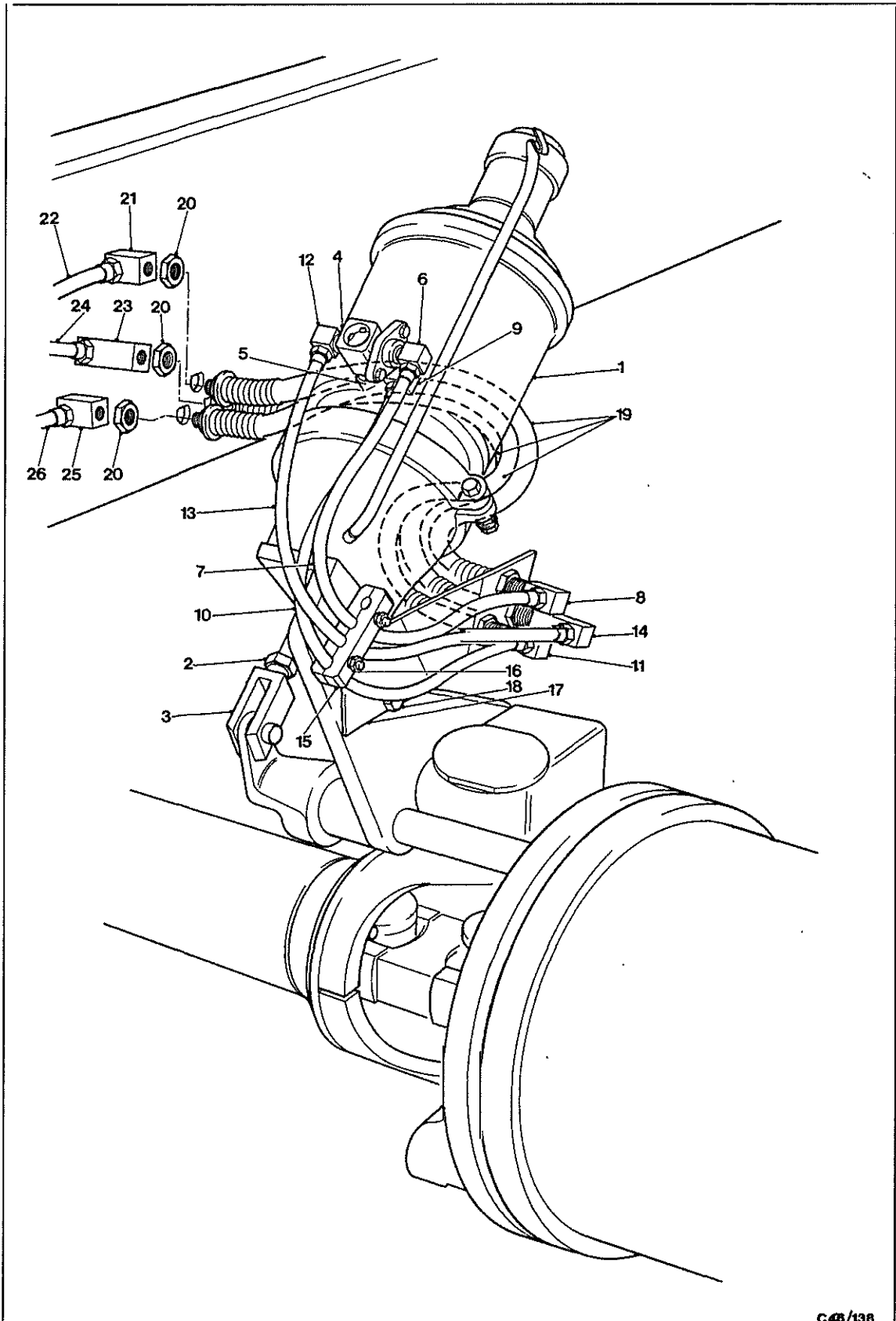
040

Fig11 Front spring brake actuator and fittings

FIG ITEM	MAN CODE NAVY - N ARMY - A RAF - R	NATO STOCK NUMBER	ITEM NAME AND DESCRIPTION	PART NO./ DRAWING NO.	NO. OFF	ANNOTATIONS
Fig 11						
1-3	A	6MT9	2530-99-825-5894	CONTROLS - contd ..AIR PRESSURE SYSTEM - contd		
NI	A	6MT9	2530-99-825-3988	..ACTUATOR, SPRING BRAKE	91026319	2
NI	A	6MT9	2530-99-827-4875	...PUSH ROD, BRAKE CHAMBER	295218	2
				...CYLINDER ASSEMBLY, AIR PRESSURE BRAKE	KY755/2	2
NI	A	G1	5305-99-941-0577	...SCREW, MACHINE		2
NI	A	6MT9	2530-99-748-1824	..PARTS KIT, ACTUATOR, SPRING BRAKE, comprises of 4 items	SK2650-3	2
NI	A	6MT9	2530-99-825-5898	..PARTS KIT, ACTUATOR	SK2759-2	2
4	A	6MT9	2530-99-819-0978	..VALVE, DOUBLE CHECK	259989AW	2
5	A	7BD	4730-99-748-2394	..UNION, PIPE, steel, 1/4 in. - 18 NPTF both ends	11499188	2
6	A	7BD	4730-99-748-2419	..ADAPTOR, ELBOW, PIPE, steel, M16 x 1.5 mm thd one end, 1/4 in. x 18 NPTF thd other end	11499068	2
7		NP		..PIPE ASSEMBLY	91077471	2
NI	A	6MT9	4710-99-836-1403	...PIPING, PLASTICS, RIGID	C606 GREEN	AR
NI	A	7BD	4730-99-833-5528	...NUT, UNION, PIPE	91035373	2
NI	A	6MT9	4730-99-829-7966	...SLEEVE	LA06-81	2
NI	A	6MT9	4730-99-829-7967	...BARBED INSERT, HOSE COUPLING	LA06-06NS50	2
8	A	7BD	4730-99-748-2415	..ADAPTOR, ELBOW, PIPE, steel, M16 x 1.5 mm thd one end, 1/4 in. x 18 NPTF thd other end	11499569	2
9	A	7BD	4730-99-748-2419	..ADAPTOR, ELBOW, PIPE, steel, M16 x 1.5 mm thd one end, 1/4 in. x 18 NPTF thd other end	11499068	2
10		NP		..PIPE ASSEMBLY	91077473	2
NI	A	6MT9	4710-99-829-9272	...PIPING, PLASTICS, SEMI-RIGID, nylon, yellow, 3/8 in. od	C606 YELLOW	AR
NI	A	7BD	4730-99-833-5528	...NUT, UNION, PIPE	91035373	2
NI	A	6MT9	4730-99-829-7966	...SLEEVE	LA06-81	2
NI	A	6MT9	4730-99-829-7967	...BARBED INSERT, HOSE COUPLING	LA06-06NS50	2
11	A	7BD	4730-99-748-2415	..ADAPTOR, ELBOW, PIPE, steel, M16 x 1.5 mm thd one end, 1/4 in. x 18 NPTF thd other end	11499569	2
12	A	7BD	4730-99-748-2419	..ADAPTOR, ELBOW, PIPE, steel, M16 x 1.5 mm thd one end, 1/4 in. x 18 NPTF thd other end	11499068	2
13		NP		..PIPE ASSEMBLY	91077472	1
NI	A	6MT9	4720-99-756-6550	...HOSE, NONMETALLIC, nylon w/polyester braid reinforcement, 3/8 in. od, orange	C606 ORANGE	AR
NI	A	7BD	4730-99-833-5528	...NUT, UNION PIPE	91035373	2
NI	A	6MT9	4730-99-829-7966	...SLEEVE	LA06-81	2
NI	A	6MT9	4730-99-829-7967	...BARBED INSERT, HOSE COUPLING	LA06-06NS50	2
14	A	7BD	4730-99-748-2416	..ADAPTOR, ELBOW, PIPE, steel, M16 x 1.5 mm thd one end, 1/4 in. x 18 NPTF int thd other end	11499572	2
16	A	G1	5310-99-122-5295	..NUT, PLAIN, HEXAGON		4
NI	A	G1	5310-99-203-6405	..WASHER, LOCK		4
18	A	G1	5305-99-122-4911	..SCREW, MACHINE		4
NI	A			..WASHER, LOCK		4
NI	A			..NUT, PLAIN, HEXAGON		4
19		NP		..HOSE ASSEMBLY	91093028	6
20	A			..NUT		6
21	A	7BD	4730-99-748-2415	..ADAPTOR, ELBOW, PIPE, steel, M16 x 1.5 mm thd one end, 1/4 in. x 18 NPTF int thd other end	11499569	2

1476

9442



C 48/138

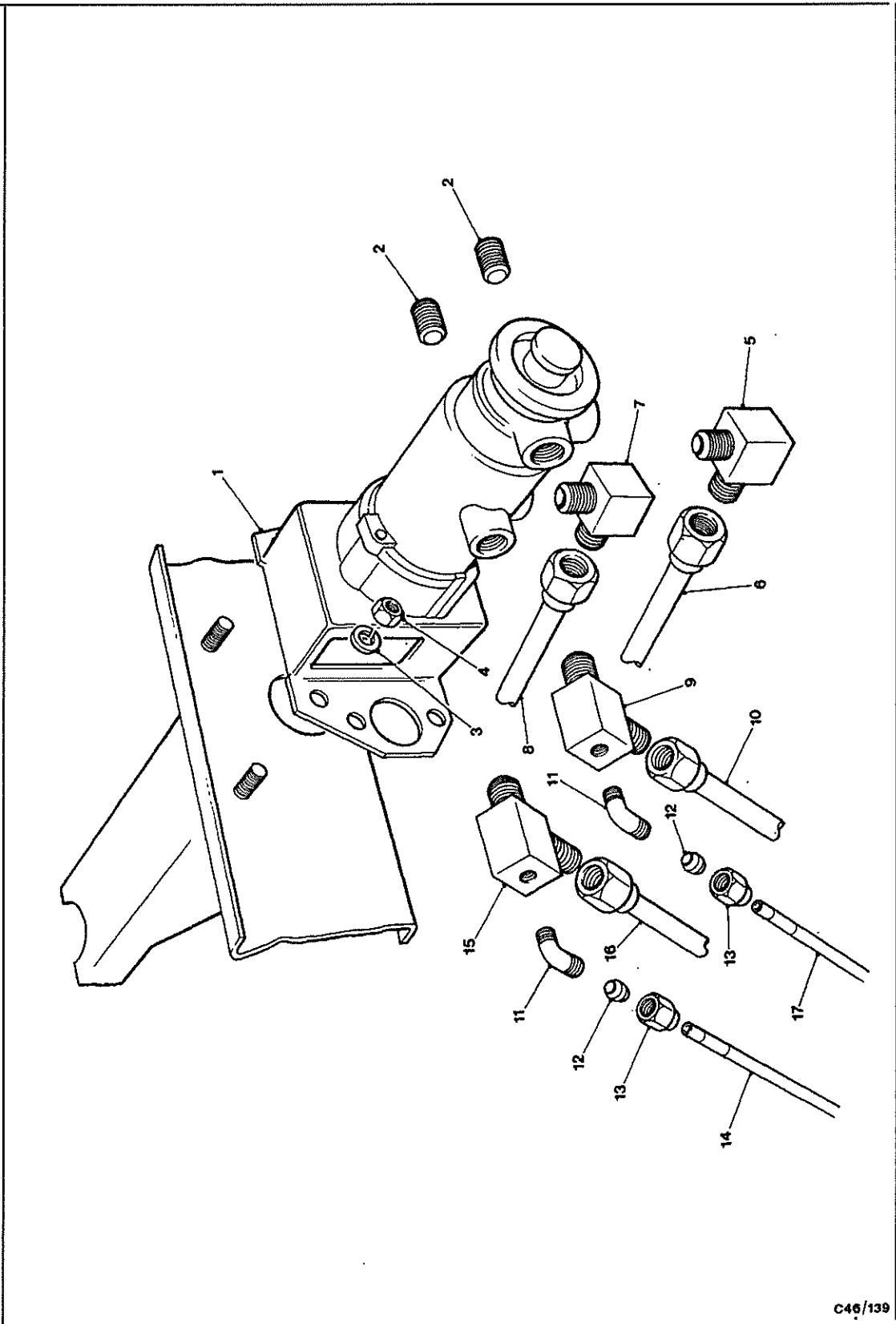
Chap 2 - 6

Fig11 Front spring brake actuator and fittings

FIG ITEM	MAN CODE NAVY - N ARMY - A RAF - R	NATO STOCK NUMBER	ITEM NAME AND DESCRIPTION	PART NO./ DRAWING NO.	NO. OFF	ANNOTATIONS	
Fig 11							
22	NI	A	NP 6MT9 4710-99-836-1403	CONTROLS - contd ..AIR PRESSURE SYSTEM - contd ..PIPE ASSEMBLY ...PIPING, PLASTICS SEMI-RIGID, nylon, 3/8 in. od, green	91077403	1)u/w right hand }spring }brake }actuator)
	NI	A	7BD 4730-99-833-5528	...NUT, UNION, PIPE	C606 GREEN 91035373	AR 2	
	NI	A	6MT9 4730-99-829-7966	...SLEEVE	LA06-81	2	
	NI	A	6MT9 4730-99-829-7967	...BARBED INSERT, HOSE COUPLING	LA06-06NS50	2	
	NI	A	NP 6MT9 4710-99-836-1403	..PIPE ASSEMBLY ...PIPING, PLASTICS, SEMI-RIGID, nylon, 3/8 in. od, green	91085301	1)u/w left hand }spring }brake }actuator)
	NI	A	7BD 4730-99-833-5528	...NUT, UNION, PIPE	C606 GREEN 91035373	AR 2	
	NI	A	6MT9 4730-99-829-7966	...SLEEVE	LA05-81	2	
	NI	A	6MT9 4730-99-829-7967	...BARBED INSERT, HOSE COUPLING	LA06-06NS50	2	
23	A	7BD	4730-99-748-2416	..ADAPTOR, ELBOW, PIPE, steel, M16 x 1.5 mm thd one end, 1/4 in. x 18 NPTF in. thd other end	11499572	2)u/w right hand }spring }brake }actuator)
24	NI	A	NP 6MT9 4720-99-756-6550	..PIPE ...HOSE, NONMETALLIC, nylon w/polyester braid reinforcement, 3/8 in. od, orange	91077411	1	
	NI	A	7BD 4730-99-833-5528	...NUT, UNION, PIPE	C606 ORANGE 91035373	AR 2	
	NI	A	6MT9 4730-99-829-7966	...SLEEVE	LA06-81	2	
	NI	A	6MT9 4730-99-829-7967	...BARBED INSERT, HOSE COUPLING	LA06-06NS50	2)u/w left hand }spring }brake }actuator)
	NI	A	NP 6MT9 4720-99-756-6550	..PIPE ASSEMBLY ...HOSE, NONMETALLIC, nylon, w/polyester braid reinforcement, 3/8 in. od, orange	91077406	1	
	NI	A	7BD 4730-99-833-5528	...NUT, UNION, PIPE	C606 ORANGE 91035373	AR 2	
	NI	A	6MT9 4730-99-829-7966	...SLEEVE	LA06-81	2	
	NI	A	6MT9 4730-99-829-7967	...BARBED INSERT, HOSE COUPLING	LA06-06NS50	2)u/w right hand }spring }brake }actuator)
25	A	7BD	4730-99-748-2415	..ADAPTOR, ELBOW, PIPE, steel, M16 x 1.5 mm thd one end, 1/4 in. x 18 NPTF int thd other end	11499569	2	
26	NI	A	NP 6MT9 4710-99-829-9272	..PIPE ASSEMBLY ...PIPING, PLASTICS, SEMI-RIGID, nylon, yellow, 3/8 in. od	91069684	1	
	NI	A	7BD 4730-99-833-5528	...NUT, UNION, PIPE	C606 YELLOW 91035373	AR 2	
	NI	A	6MT9 4730-99-829-7966	...SLEEVE	LA06-81	2)u/w left hand }spring }brake }actuator)
	NI	A	6MT9 4730-99-829-7967	...BARBED INSERT, HOSE COUPLING	LA06-06NS50	2	
	NI	A	NP 6MT9 4710-99-829-9272	..PIPE ASSEMBLY ...PIPING, PLASTICS, SEMI-RIGID, nylon, yellow, 3/8 in. od	91077405	1	
	NI	A	7BD 4730-99-833-5528	...NUT, UNION, PIPE	C606 YELLOW 91035373	AR 2	
	NI	A	6MT9 4730-99-829-7966	...SLEEVE	LA06-81	2)u/w left hand }spring }brake }actuator)
	NI	A	6MT9 4730-99-829-7967	...BARBED INSERT, HOSE COUPLING	LA06-06NS50	2	

218

244

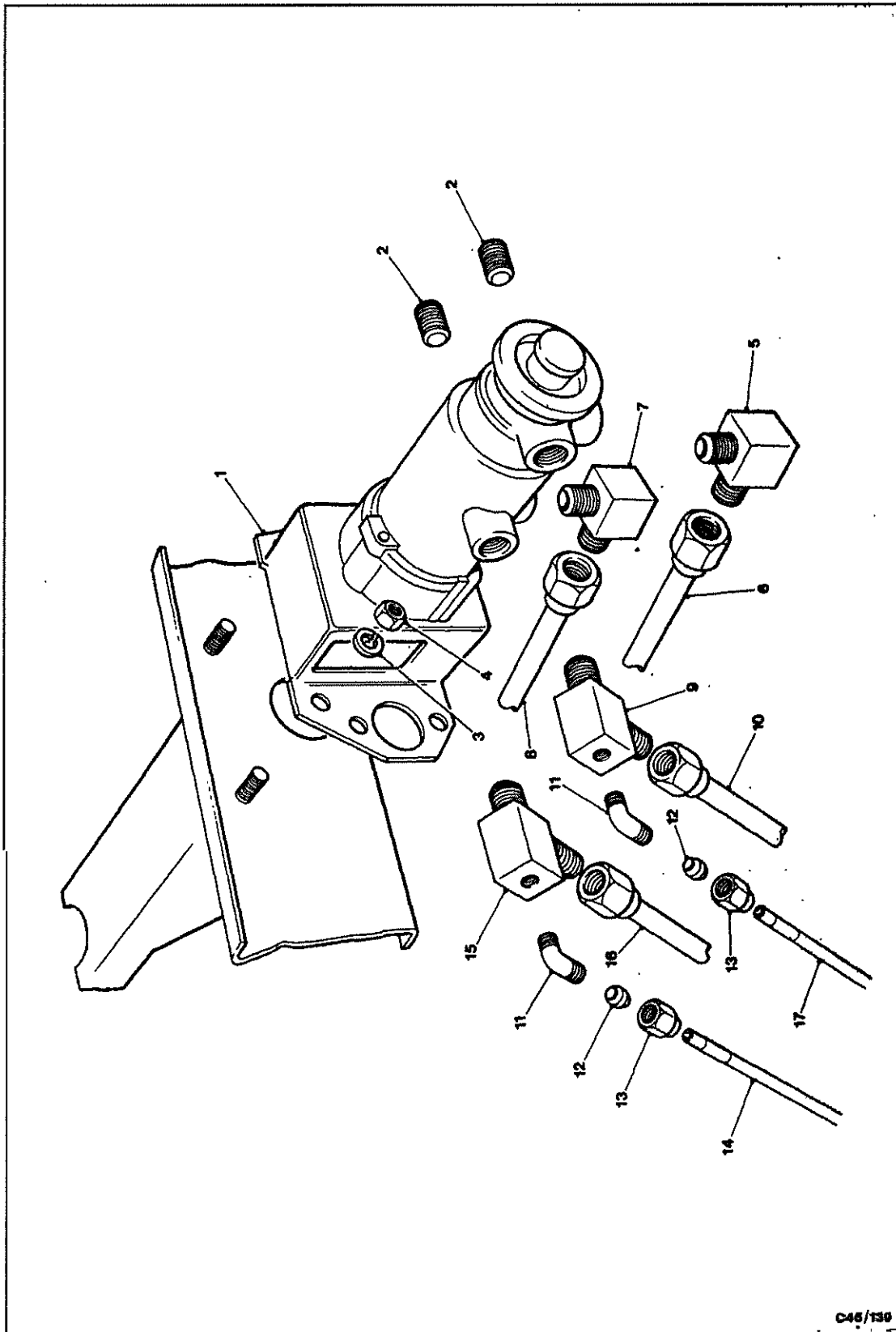


C46/139

Fig 12 Brake reaction valve and fittings

FIG ITEM	MAN CODE NAVY - N ARMY - A RAF - R	NATO STOCK NUMBER	ITEM NAME AND DESCRIPTION	PART NO./ DRAWING NO.	NO. OFF	ANNOTATIONS	
Fig 12							
1	A	6MT9	2530-99-748-1817	CONTROLS - contd ..AIR PRESSURE SYSTEM - contd ..VALVE, REACTION, w/6 ports tapped 3/8 in. PTF (SAE SHORT); c/w boot and mtg bracket	APGA 6447X GA 28752	1 AR	
NI	A	6MT9	2530-99-828-4014	..BOOT, DUST AND MOISTURE SEAL		2	
NI	A	6MT9	2530-99-811-6663	..PARTS KIT, REACTION BRAKE		2	
2	A	6MT1	4730-99-827-8028	..PLUG, PIPE		2	
NI	A	6MT9	4730-99-828-4015	..CLAMP, HOSE	AP9522-6	1	
3	A	G1	5310-99-208-6457	..WASHER, LOCK		3	
4	A	G1	5310-99-122-5296	..NUT, PLAIN, HEXAGON		3	
5	A	7BD	4730-99-748-2417	..ADAPTOR, ELBOW, PIPE, steel, M16 - 1.5 mm thd one end, 3/8 in. - 18 NPTF thd other end	11499069	1	
6			NP	..PIPE ASSEMBLY	91065349	1	}u/w right }hand }drive }vehicle
NI	A	6MT9	4710-99-829-9272	..PIPING, PLASTICS, SEMI-RIGID	C606 YELLOW	AR	
NI	A	7BD	4730-99-833-5528	..NUT, UNION, PIPE	9103573	2	
NI	A	6MT9	4730-99-829-7966	..SLEEVE	LA06-81	2	
NI	A	6MT9	4730-99-829-7967	..BARBED INSERT, HOSE COUPLING	LA06-06NS50	2	
NI			NP	..PIPE ASSEMBLY	91068519	1	}u/w left. }hand }drive }vehicle
NI	A	6MT9	4710-99-829-9272	..PIPING, PLASTICS, SEMI-RIGID	C606 YELLOW	AR	
NI	A	7BD	4730-99-833-5528	..NUT, UNION, PIPE	9103573	2	
NI	A	6MT9	4730-99-829-7966	..SLEEVE	LA06-81	2	
NI	A	6MT9	4730-99-829-7967	..BARBED INSERT, HOSE COUPLING	LA06-06NS50	2	
7	A	7BD	4730-99-748-6628	..ADAPTOR, ELBOW, PIPE, steel, M18 - 1.5 mm thd one end, 3/8 in. - 18 NPTF thd other end	11499073	1	
8			NP	..PIPE ASSEMBLY	91082621	1	}u/w right }hand }drive }vehicle
NI	A	6MT9	4710-99-833-8446	..PIPING, PLASTICS, SEMI-RIGID	C608 YELLOW	AR	
NI	A	7BD	4730-99-833-5531	..NUT, UNION, PIPE	91035370	2	
NI	A	6MT9	4730-99-833-5530	..SLEEVE, FLARED, PIPE-FITTING	LA0881	2	
NI	A	6MT9	4730-99-833-5529	..INSERT, FLARED, PIPE-FITTING	LA08NS50	2	
NI			NP	..PIPE ASSEMBLY	91082622	1	}u/w left }hand }drive }vehicle
NI	A	6MT9	4710-99-833-8446	..PIPING, PLASTICS, SEMI-RIGID	C608 YELLOW	AR	
NI	A	7BD	4730-99-833-5531	..NUT, UNION, PIPE	91035370	2	
NI	A	6MT9	4730-99-833-5530	..SLEEVE, FLARED, PIPE-FITTING	LA0881	2	
NI	A	6MT9	4730-99-833-5529	..INSERT, FLARED, PIPE-FITTING	LA08NS50	2	
9	A	7BD	4730-99-839-6392	..ADAPTOR, TEE, PIPE, steel, M10 - 1 mm thd one end, M16 - 1.5 mm thd second end, 3/8 in. NPTF other end	11499489	1	
10			NP	..PIPE ASSEMBLY	91065348	1	}u/w right }hand }drive }vehicle
NI	A	6MT9	4710-99-829-9272	..PIPING, PLASTICS, SEMI-RIGID	C606 YELLOW	AR	
NI	A	7BD	4730-99-833-5528	..NUT, UNION, PIPE	91035373	2	
NI	A	6MT9	4730-99-829-7966	..SLEEVE	LA06-81	2	
NI	A	6MT9	4730-99-829-7967	..BARBED INSERT, HOSE COUPLING	LA06-06NS50	2	
NI			NP	..PIPE ASSEMBLY	91068518	1	}u/w left }hand }drive }vehicle
NI	A	6MT9	4710-99-829-9272	..PIPING, PLASTICS, SEMI-RIGID	C606 YELLOW	AR	
NI	A	7BD	4730-99-833-5528	..NUT, UNION, PIPE	91035373	2	
NI	A	6MT9	4730-99-829-7966	..SLEEVE	LA06-81	2	
NI	A	6MT9	4730-99-829-7967	..BARBED INSERT, HOSE COUPLING	LA06-06NS50	2	
12	A	6MT1	4730-99-801-1390	..SLEEVE, COMPRESSION, PIPE-HOSE FITTING	100834	2	
13	A	7BD	4730-99-747-9619	..NUT, UNION, PIPE, steel, 3/8 in. UNF straight thd	442063	2	
15	A	7BD	4730-99-839-3692	..ADAPTOR, TEE, PIPE, steel, M10 - 1 mm thd one end, 3/8 in. NPTF second end, M16 - 1.5 mm thd 3rd end	11499489	1	

245



9446

Chap 2-6

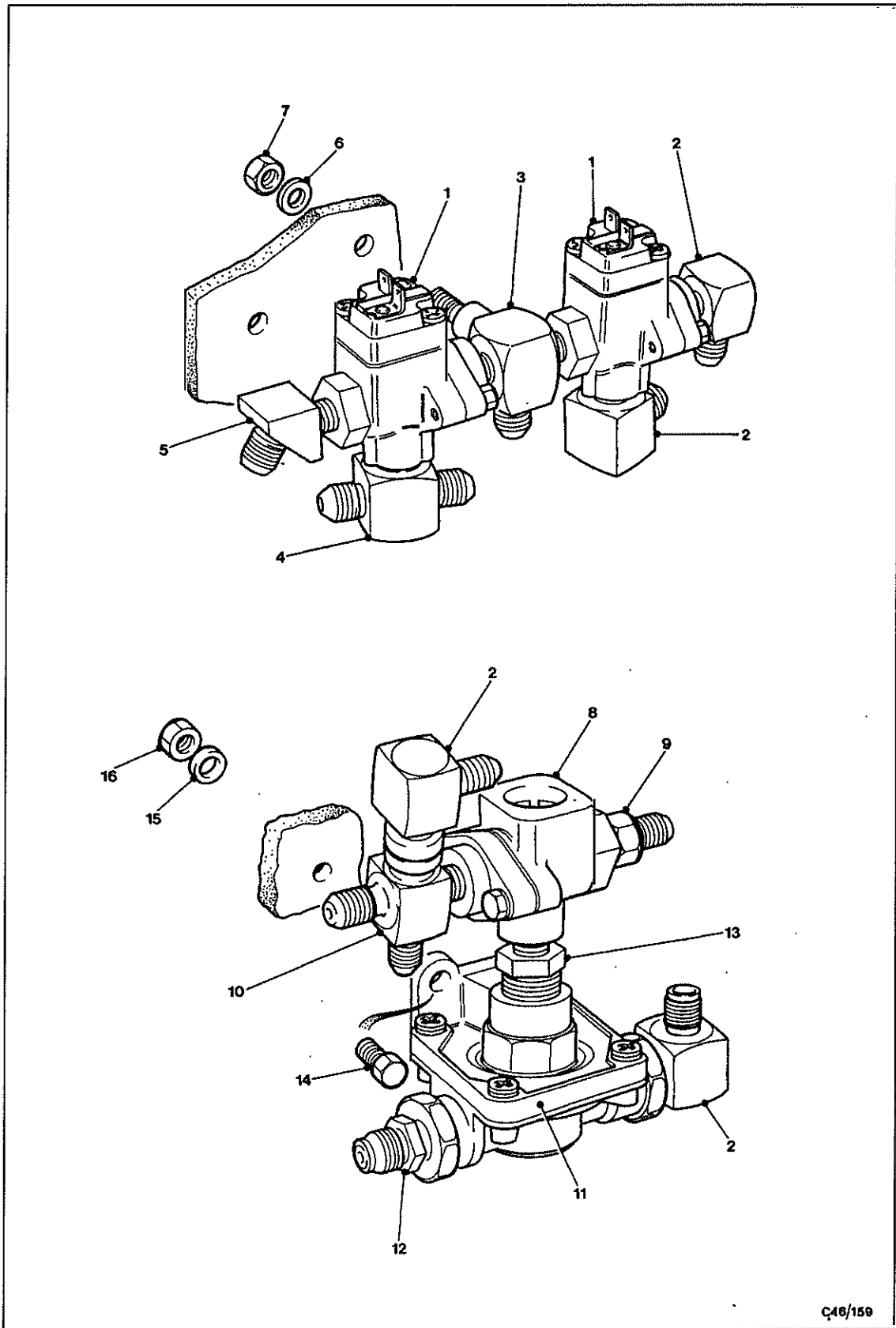
Fig 12 Brak reaction valve and fittings

C46/130

FIG ITEM	MAN CODE NAVY - N ARMY - A RAF - R	NATO STOCK NUMBER	ITEM NAME AND DESCRIPTION	PART NO./ DRAWING NO.	NO. OFF	ANNOTATIONS
Fig 12			CONTROLS - contd			
16		NP	.AIR PRESSURE SYSTEM - contd			
NI	A	6MT9	..PIPE ASSEMBLY	91059433	1)u/w right
NI	A	7BD	...PIPING, PLASTICS, SEMI-RIGID	C608 YELLOW	AR)hand
NI	A	6MT9	...NUT, UNION, PIPE	91035370	2)drive
NI	A	6MT9	...SLEEVE, FLARED, PIPE FITTING	LA0881	2)vehicle
NI	A	6MT9	...INSERT, FLARED, PIPE FITTING	LA08NS50	2)
NI		NP	..PIPE ASSEMBLY	91068517	1)u/w left
NI	A	6MT9	...PIPING, PLASTICS, SEMI-RIGID	C608 YELLOW	AR)hand
NI	A	7BD	...NUT, UNION, PIPE	91035370	2)drive
NI	A	6MT9	...SLEEVE, FLARED, PIPE FITTING	LA0881	2)vehicle
NI	A	6MT9	...INSERT, FLARED, PIPE FITTING	LA08NS50	2)
17	A	7BD	..PIPE, PLASTICS, SEMI-RIGID, 2.845 mm bore x 2220 mm lg, gauge nipple assembled one end, red	91046356	1	
NI	A	7BD	..NUT, UNION, PIPE	2715827	2	

2147

2458



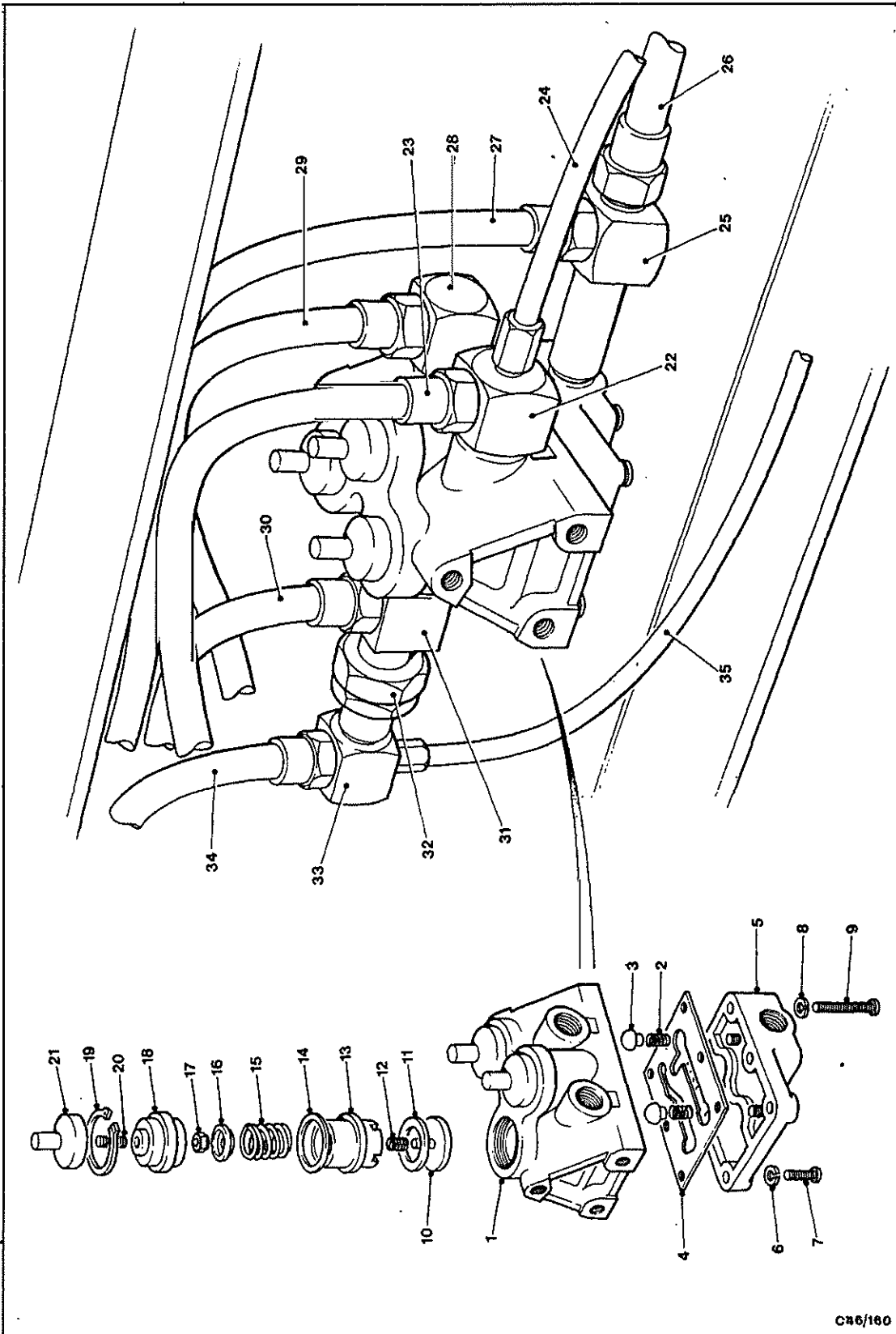
Ç16/159

Chap 2-6

Fig 13 Chang ov r valves

FIG ITEM	MAN CODE NAVY - N ARMY - A RAF - R	NATO STOCK NUMBER	ITEM NAME AND DESCRIPTION	PART NO./ DRAWING NO.	NO. OFF	ANNOTATIONS
Fig 13			CONTROLS - contd .AIR PRESSURE SYSTEM - contd ..CHANGEOVER VALVES -			
1	A 7BD	5930-99-811-0825	...SWITCH, PRESSURE	8838943	2	
2	A 7BD	4730-99-748-2419	...ADAPTOR, ELBOW, PIPE, steel, M16 - 1.5 mm thd one end, 1/4 in. - 18 NPTF thd other end	11499068	4	
3	A 7BD	4730-99-748-2378	...ADAPTOR, CROSS, PIPE, steel, 1/4 in. - 18 NPTF thd two ends, M16 - 1.5 mm thd other end	11499594	1	
4	A 7BD	4730-99-748-2377	...ADAPTOR, TEE, PIPE, steel, M16- 1.5 mm thd two ends, 1/4 in. - 18 NPTF other end	11499307	1	
5	A 7BD	4730-99-748-2418	...ADAPTOR, ELBOW, PIPE, steel, M18 - 1.5 mm thd one end, 1/4 in. - 18 NPTF thd other end, 45 deg angle	11499593	1	
6	A G1	5310-99-122-6476	...WASHER, FLAT		1	
7	A G1	5310-99-122-5297	...NUT, PLAIN, HEXAGON		1	
8	A 6MT9	2530-99-819-0978	...VALVE, DOUBLE CHECK	259989AW	1	
9	A 7BD	4730-99-748-2380	...ADAPTOR, STRAIGHT, PIPE, steel, M18 - 1.5 mm thd one end, 1/4 in. - 18 NPTF other end	11499065	1	
10	A 7BD	4730-99-748-2379	...ADAPTOR, CROSS, PIPE, steel, M16 - 1.5 thd two ends, 1/4 in. - 18 NPTF thd other ends	11499486	1	
11	A 6MT9	2530-99-821-0493	...VALVE, DIVERTER, AIR PRESSURE	274996	1	
12	A 7BD	4730-99-748-2393	...ADAPTOR, STRAIGHT, PIPE, steel, M16 - 1.5 mm thd one end, 1/4 in. - 18 NPTF other end	11499062	1	
13	A 7BD	4730-99-839-3693	...ADAPTOR, STRAIGHT, PIPE, steel, 1/4 in. - 18 NPTF thd one end, 3/8 in. - 18 NPTF other end	11499192	1	

249



C46/160

Fig 14 Triple protection valv and pipes

250

ARMY EQUIPMENT
SUPPORT PUBLICATIONS

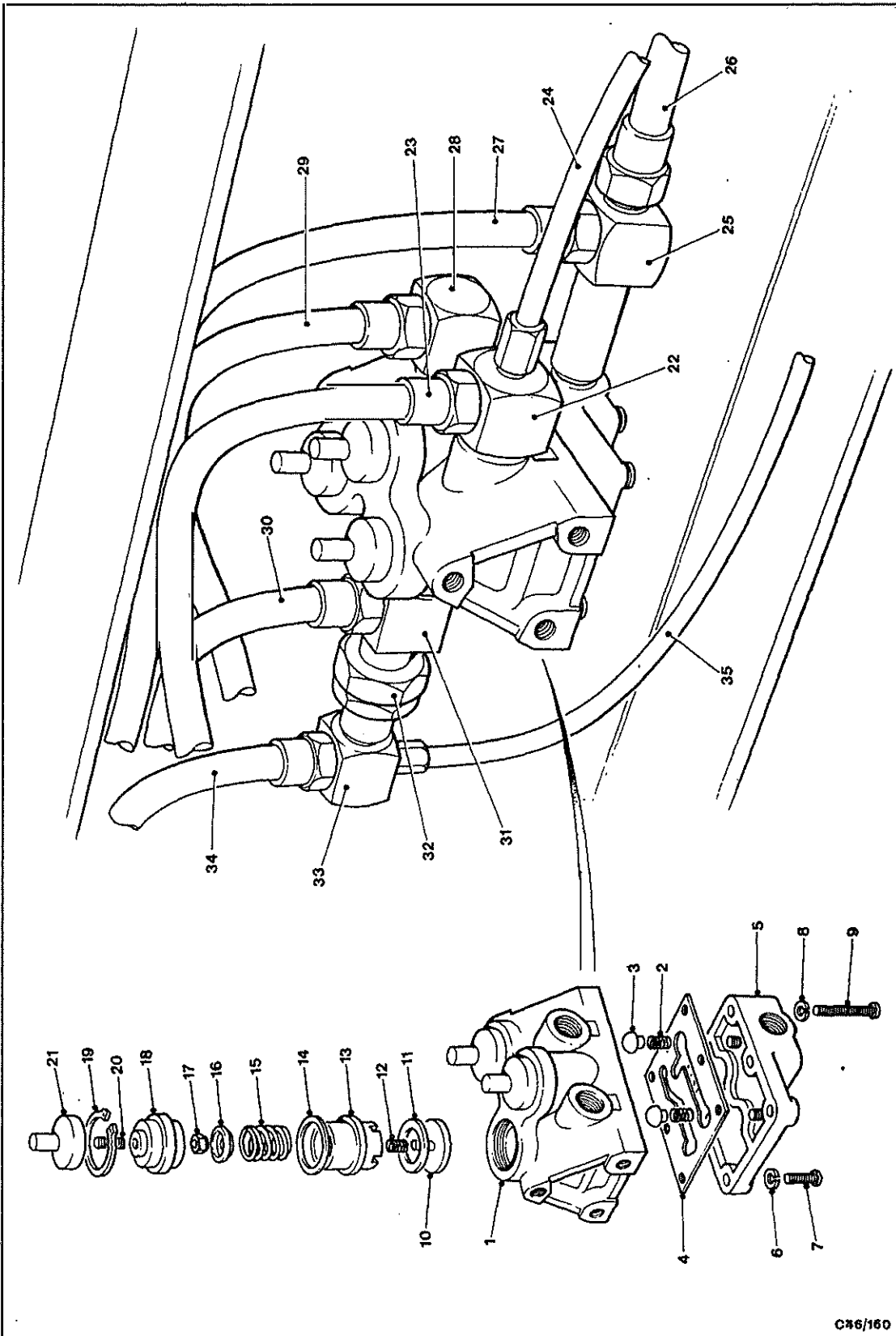
2320-L-701-711

FIG ITEM	MAN CODE NAVY - N ARMY - A RAF - R	NATO STOCK NUMBER	ITEM NAME AND DESCRIPTION	PART NO./ DRAWING NO.	NO. OFF	ANNOTATIONS
Fig 14			CONTROLS - contd			
1-21	A	6MT9	2530-99-836-6671	..AIR PRESSURE SYSTEM - contd		
4	A	6MT9	5330-99-748-1394	..VALVE, PRESSURE PROTECTION	91077309	1
6	A	6MT9	5310-99-817-7126	...GASKET, triple protection valve	AP14735	1
7	A	G1	5305-99-135-0441	...WASHER, LOCK	5000583	2
8	A	6MT9	5310-99-817-7126	...SCREW, MACHINE		2
9	A	G1	5305-99-135-0444	...WASHER, LOCK	5000583	4
20	A		5305-99-135-0444	...SCREW, MACHINE		4
				...SCREW		3
NI	A	6MT9	2530-99-757-4917	..PARTS KIT, PRESSURE PROTECTION VALVE, comprises of item No. 2, 3, 4, 10, 11, 12, 14, 15, 17 & 21	GA29137	1
NI	A			..WASHER		3
NI	A	G1	5310-99-208-6457	..WASHER, LOCK		3
NI	A	G1	5305-99-122-5366	..SCREW, MACHINE		3
)Used to)secure)valve to)chassis
22	A	7ED	4730-99-748-2384	..ADAPTOR, TEE, PIPE, steel, M12-1 thd one end, 3/8 in. - 18 NPTF other end, M18 - 1.5 thd 3rd end	11499563	1
23		NP		..PIPE ASSEMBLY	91070352	1
NI	A	6MT9	4710-99-833-8447	...PIPING, PLASTICS, SEMI-RIGID	C608 RED	AR
NI	A	7ED	4730-99-833-5531	...NUT, UNION, PIPE	91035370	2
NI	A	6MT9	4730-99-833-5530	...SLEEVE, FIARED, PIPE FITTING	IA0881	2
NI	A	6MT9	4730-99-833-5529	...INSERT, FIARED, PIPE FITTING	IA08NS50	2
24		NP		..PIPE ASSEMBLY	91083623	1
NI	A	6MT9	4720-99-756-8560	...HOSE, NONMETALLIC, nylon, w/ polyester braid reinforcement, 0.170 in. id x 0.250 in. od, green	C604 GREEN	AR
NI	A	6MT9	4730-99-749-1001	...NUT, SLEEVE, steel, hex M12 x 1 mm pitch	4-422795	2
NI	A	6MT9	4730-99-747-9633	...SLEEVE, FIARED, PIPE FITTING, brass	4-422337	2
NI	A	6MT9	4730-99-749-1000	...INSERT, FIARED, PIPE FITTING, clinch type, brass	4-422327	2
25	A	7ED	4730-99-748-2386	..ADAPTOR, TEE, PIPE, steel, 3/8 in. - 18 NPTF thd one end, M18 - 1.5 thd other ends	11499483	1
26		NP		..PIPE ASSEMBLY	91083624	1
NI	A	6MT9	4710-99-833-8447	...PIPING, PLASTICS, SEMI-RIGID	C608 RED	AR
NI	A	7ED	4730-99-833-5531	...NUT, UNION, PIPE	91035370	2
NI	A	6MT9	4730-99-833-5530	...SLEEVE, FIARED, PIPE FITTING	IA0881	2
NI	A	6MT9	4730-99-833-5529	...INSERT, FIARED, PIPE FITTING	IA08NS50	2
27		NP		..PIPE ASSEMBLY	91061067	1
NI	A	6MT9	4710-99-833-8447	...PIPING, PLASTICS, SEMI-RIGID	C608 RED	AR
NI	A	7ED	4730-99-833-5531	...NUT, UNION, PIPE	91035370	2
NI	A	6MT9	4730-99-833-5530	...SLEEVE, FIARED, PIPE FITTING	IA0881	2
NI	A	6MT9	4730-99-833-5529	...INSERT, FIARED, PIPE FITTING	IA08NS50	2
28	A	7ED	4730-99-748-2407	..UNION, PIPE, steel, M10 - 1 int thd	11499097	1
29		NP		..PIPE ASSEMBLY	91065244	1
NI	A	6MT9	4710-99-833-8447	...PIPING, PLASTICS, SEMI-RIGID	C608 RED	AR
NI	A	7ED	4730-99-833-5531	...NUT, UNION, PIPE	91035370	2
NI	A	6MT9	4730-99-833-5530	...SLEEVE, FIARED, PIPE FITTING	IA0881	2
NI	A	6MT9	4730-99-833-5529	...INSERT, FIARED, PIPE FITTING	IA08NS50	2

Issued Nov. 1983

Chap. 2-6
Page 17

241

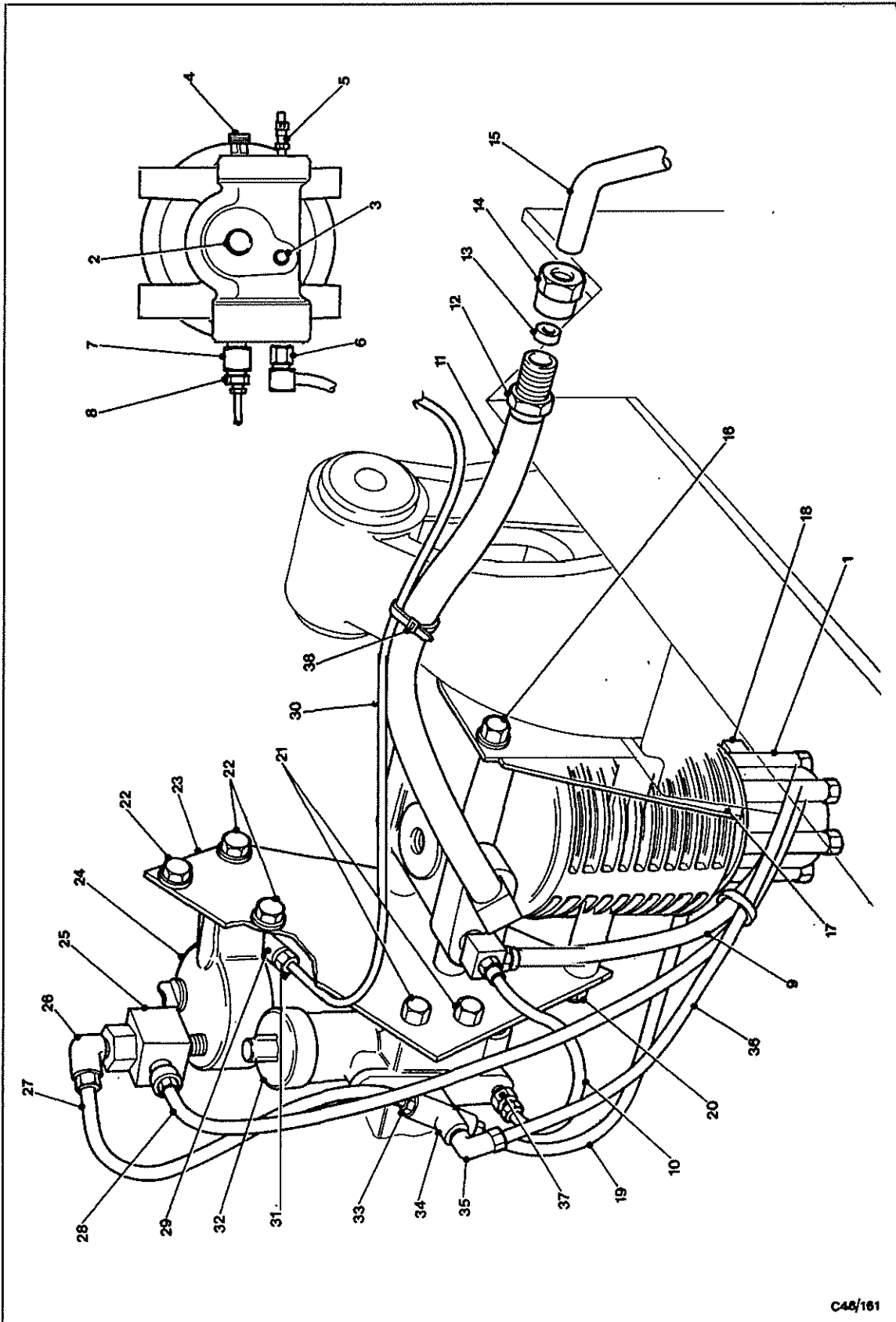


9259

Fig 14 Tripl protection valve and pipes

FIG ITEM	MAN CODE NAVY - N ARMY - A RAF - R	NATO STOCK NUMBER	ITEM NAME AND DESCRIPTION	PART NO./ DRAWING NO.	NO. OFF	ANNOTATIONS
Fig 14						
30		NP	CONTROLS - contd			
NI	A	6MT9	..AIR PRESSURE SYSTEM - contd	91049674	1	
NI	A	7BD	..PIPE ASSEMBLY	C608 RED	AR	
NI	A	6MT9	...PIPING, PLASTICS, SEMI-RIGID	91035370	2	
NI	A	6MT9	...NUT, UNION, PIPE	LA0881	2	
NI	A	6MT9	...SLEEVE, FLARED, PIPE FITTING	LA08NS50	2	
31	A	7BD	4730-99-833-8447			
			4730-99-833-5531			
			4730-99-833-5530			
			4730-99-833-5529			
			..ADAPTOR, TEE, PIPE, steel, 1/4 in. - 18 NPTF thd one end, 3/8 in. - 18 NPTF thd other end, M18 - 1.5 thd 3rd end	11499524	1	
32	A	6MT9	4820-99-833-5526	DW3413	1	
33	A	7BD	4730-99-748-6626			
			..VALVE, NON-RETURN			
			..ADAPTOR, TEE, PIPE, steel, M12 - 1 thd one end, M18 - 1.5 thd other end, 1/4 in. - 18 NPTF 3rd end	11499526	1	
34		NP	..PIPE, ASSEMBLY	91070352	1	
NI	A	6MT9	4710-99-833-8447	C608 RED	AR	
NI	A	7BD	4730-99-833-5531	91035370	2	
NI	A	6MT9	4730-99-833-5530	LA0881	2	
NI	A	6MT9	4730-99-833-5529	LA08NS50	2	
35		NP	..PIPE ASSEMBLY	91068546	1	
NI	A	6MT9	4720-99-756-8556			
			...HOSE, NONMETALLIC, nylon, w/ polyester braid reinforcement, 0.170 in. id x 0.250 in. od, orange	C604 ORANGE	AR	
NI	A	6MT9	4730-99-749-1001	4-422795	2	
NI	A	6MT9	4730-99-747-9633	4-422337	2	
NI	A	6MT9	4730-99-749-1000	4-422327	2	

252



Chap 2-6

Fig 15 Condensing valve and drain valve

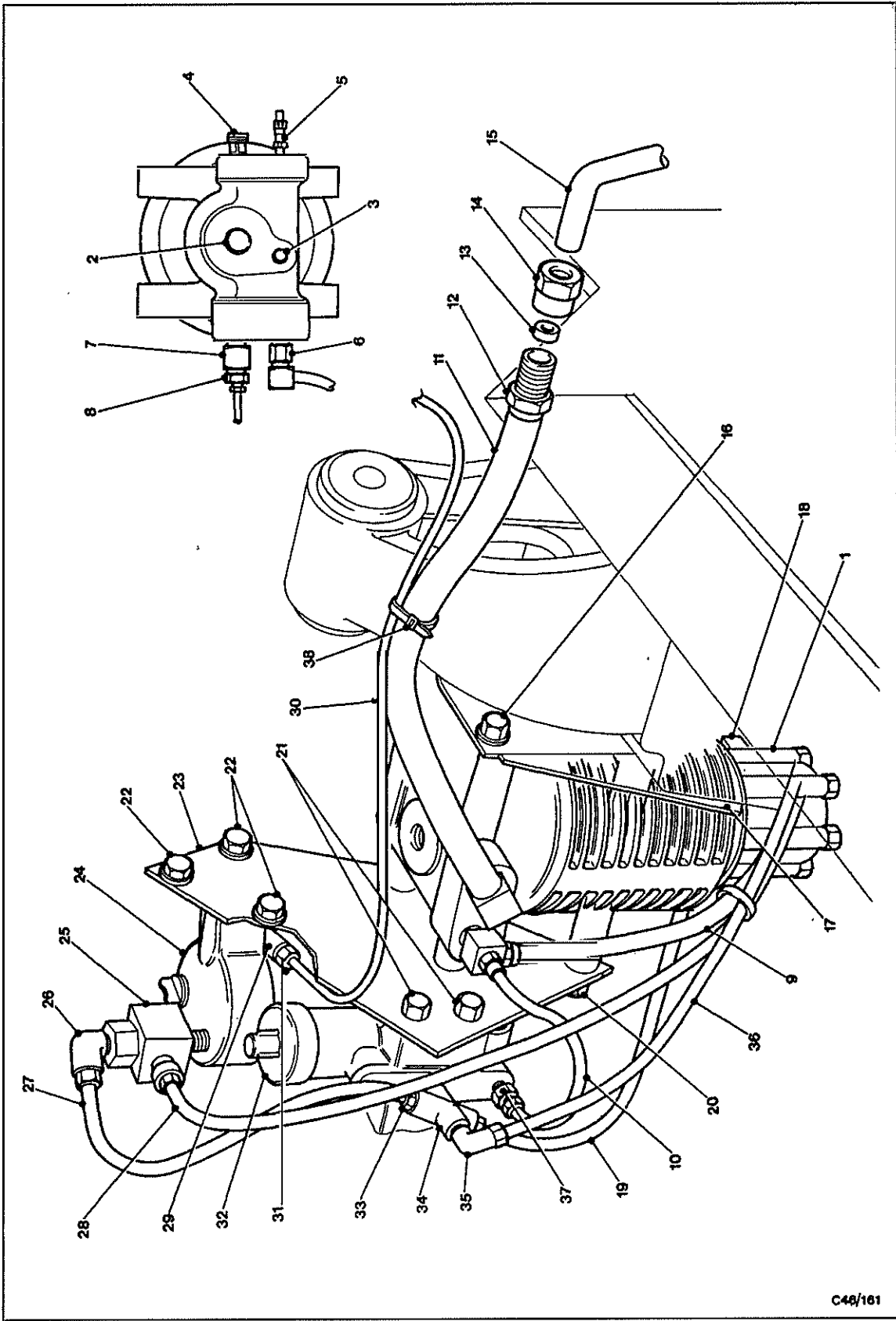
C48/161

254

272

FIG ITEM	MAN CODE NAVY - N ARMY - A RAF - R	NATO STOCK NUMBER	ITEM NAME AND DESCRIPTION	PART NO./ DRAWING NO.	NO. OFF	ANNOTATIONS
Fig 15						
1	A	7BD	2530-99-836-6673	..AIR PRESSURE SYSTEM - contd	91049927	1
2	A	6MT1	4730-99-827-8028	..RESERVOIR ASSEMBLY, CONDENSING		1
4	A	6MT9	4820-99-748-1814	..PLUG, PIPE		1
				..VALVE, SAFETY-RELIEF, 3/8 in. BSP male thd	PCSA 529	1
NI	A	G1	5310-99-432-7126	..WASHER, FLAT		1
5	A	6MT9	4820-99-800-0803	..VALVE, PNEUMATIC TANK	APSA 558	1
7	A	7BD	4730-99-748-2376	..ADAPTOR, ELBOW PIPE, steel M18 x 1.5 mm thd one end, 3/8 in. - 18 NPTF thd other end	11499497	1
9			NP	..PIPE ASSEMBLY	91077447	1
NI	A	6MT9	4710-99-833-8447	..PIPING, PLASTICS, SEMI-RIGID	C608 RED	AR
NI	A	7BD	4730-99-833-5531	..NUT, UNION, PIPE	91035370	2
NI	A	6MT9	4730-99-833-5530	..SLEEVE, FLARED, PIPE FITTING	LA0881	2
NI	A	6MT9	4730-99-833-5529	..INSERT, FLARED, PIPE FITTING	LA08NS50	2
)U/w right hand drive vehicles
NI			NP	..PIPE ASSEMBLY	91070353	1
NI	A	6MT9	4710-99-833-8447	..PIPING, PLASTICS, SEMI-RIGID	C608 RED	AR
NI	A	7BD	4730-99-833-5531	..NUT, UNION, PIPE	91035370	2
NI	A	6MT9	4730-99-833-5530	..SLEEVE, FLARED, PIPE FITTING	LA0881	2
NI	A	6MT9	4730-99-833-5529	..INSERT, FLARED, PIPE FITTING	LA08NS50	2
)U/w left hand drive vehicles
11-12	A	7BD	4720-99-795-5116	..PIPE ASSEMBLY	91062890	1
13	A	7BD	4730-99-748-2425	..SLEEVE, COMPRESSION, PIPE-HOSE FITTING, brass, u/w 15 mm od pipe	11054309	1
14				..NUT		1
15	A	7BD	2550-99-748-2427	..PIPE, STEEL, 15 mm od x 657 mm o/a lg	91076914	1
)U/w right hand drive vehicles
NI			NP	..PIPE, STEEL	91076915	1
)U/w left hand drive vehicles
16	A	G1	5305-99-122-4909	..SCREW, MACHINE, ISO metric, steel, hex hd, 10 mm x 1.5 mm pitch x 20 mm lg		3
NI	A			..WASHER		3
18	A			..ADAPTOR, ELBOW, PIPE TO HOSE		1
19			NP	..PIPE ASSEMBLY	91073956	1
)U/w right hand drive vehicles
NI			NP	..PIPE ASSEMBLY	91050548	1
)U/w left hand drive vehicles
20	A	G1	5305-99-122-4909	..SCREW, MACHINE, ISO metric, steel, hex hd, 10 mm x 1.5 mm pitch x 20 mm lg		3
NI	A			..WASHER		3
21	A	G1	5306-99-122-5260	..BOLT, MACHINE		2
NI	A			..WASHER		2
NI	A	7BD	5310-99-137-8017	..NUT, PLAIN, HEXAGON	11040197	2
22	A	G1	5305-99-122-5361	..SCREW, MACHINE		3
NI	A	G1	5310-99-203-6405	..WASHER, LOCK, steel		3
NI	A	G1	5310-99-122-5295	..NUT, PLAIN, HEXAGON		3

SSA



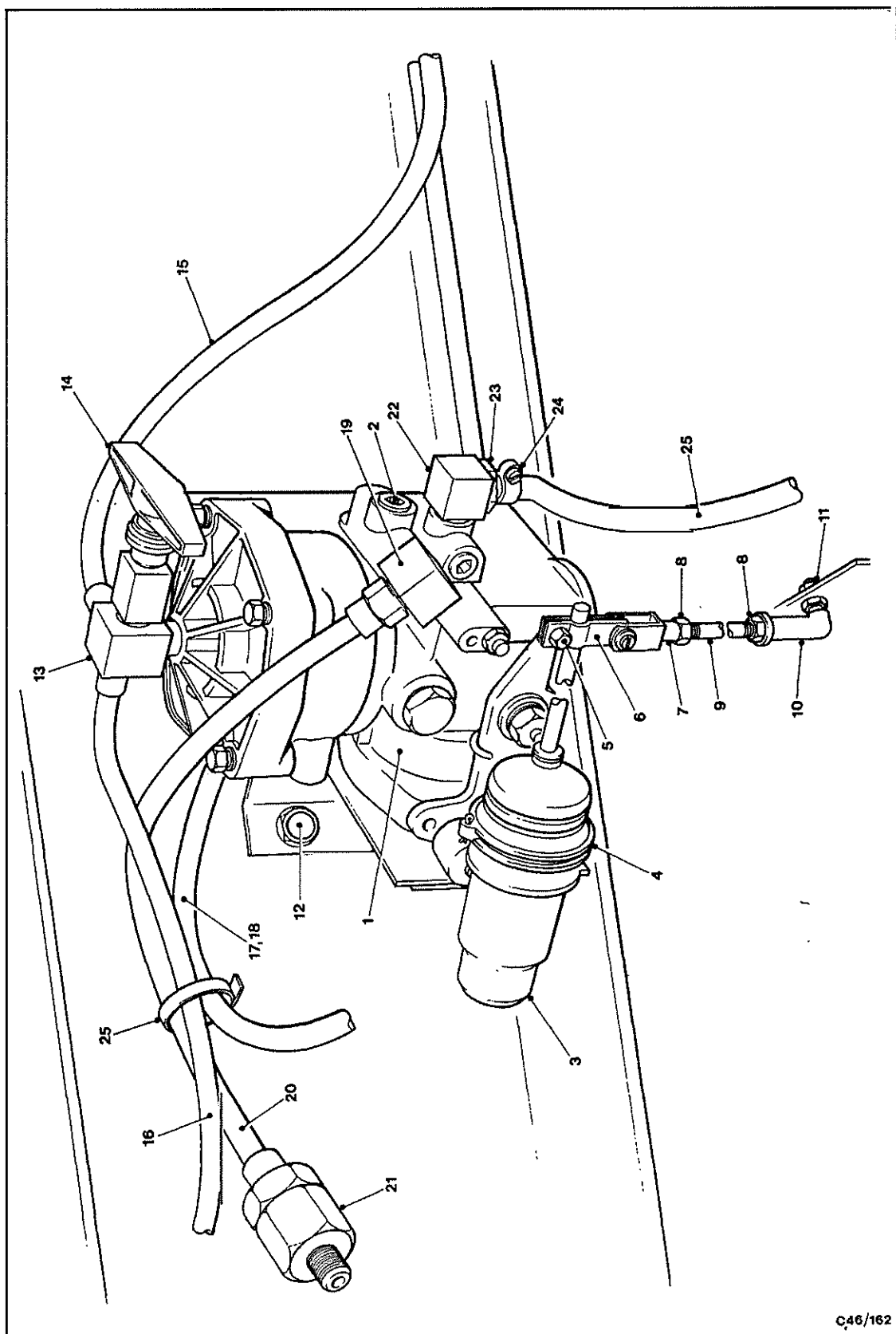
C48/181

Chap 2-6

Fig 15 Condensing valve and drain valve

FIG ITEM	MAN CODE NAVY - N ARMY - A RAF - R	NATO STOCK NUMBER	ITEM NAME AND DESCRIPTION	PART NO./ DRAWING NO.	NO. OFF	ANNOTATIONS
Fig 15			CONTROLS - contd			
24-25	A	6MT9	2530-99-748-1418	..AIR PRESSURE SYSTEM - contd ..DEHYDRATOR, AIR INTAKE, COMPRESSOR, alcohol	KX1747-2	1
NI	A	6MT9	2530-99-882-0330	...JAR, EVAPORATOR	238956	1
NI	A	6MT9	2530-99-823-1094	...PLUG, FILLER	243939	1
NI	A	6MT9	2530-99-802-6821	...STRAINER ELEMENT, SEDIMENT	239139	1
NI	A	6MT9	5330-99-817-0766	...WASHER, NONMETALLIC	243940	1
25	A	6MT9	2530-99-748-1423	...VALVE, CHECK, dehydrator	KW1873-6	1
26	A			..ADAPTOR, ELBOW, PIPE TO HOSE		1
27		NP		..PIPE ASSEMBLY	91052647	1
28		NP		..PIPE ASSEMBLY	91077070	1
29	A	7BD	4730-99-748-1837	..ADAPTOR, ELBOW, PIPE, brass, 1/4 in. x 18 NPTF male thd one end, M10 x 1 mm pitch female thd other end	91042057	1
30-31		NP		..PIPE ASSEMBLY	91084103	1
NI	A	6MT1	4720-99-748-1289	...PIPING, PLASTICS, SEMI-RIGID, nylon, black, 5 mm od)
31	A	6MT1	4730-99-827-0615	...INVERTED NUT, UNION, PIPE	36050003)AR
NI	A	6MT1	4730-99-827-0616	...SLEEVE, COMPRESSION, PIPE-HOSE FITTING	36050103)
NI	A	6MT9	4720-99-756-8561	..HOSE, NONMETALLIC, nylon, w/ polyester braid reinforcement, 0.5 in. od, black	C608 BLACK)
NI	A	7BD	4730-99-833-5531	..NUT, UNION, PIPE	91035370)AR
NI	A	6MT9	4730-99-833-5530	..SLEEVE, FLARED, PIPE FITTING	LA0881)
NI	A	6MT9	4730-99-833-5529	..INSERT, FLARED, PIPE FITTING	LA08NS50)
32	A	6MT9	2530-99-837-7332	..VALVE, UNLOADER, AIR PRESSURE	277812	1
NI	A	6MT9	4820-99-829-2784	..PARTS KIT, UNLOADER VALVE	SK2612-1	1
34	A	7BD	4730-99-748-1844	..CROSS, PIPE, brass, 4 ends equal, M10 x 1 mm female thds	91041715	1
35	A			..ADAPTOR, ELBOW, PIPE TO HOSE		1
36		NP		..PIPE ASSEMBLY	91085596	1
37	A	6MT9	4730-99-748-1805	..ADAPTOR, STRAIGHT, PIPE, brass, 1/8 in. BSPT male thd one end, M10 x 1 mm female thd other end		1
38	A			..STRAP, LINE, SUPPORTING, nylon		AR
NI	A	6MT9	2530-99-748-1800	..PARTS KIT, CONDENSER AND DRAIN VALVE	GA29084	1

957



C46/162

Chap 2-6

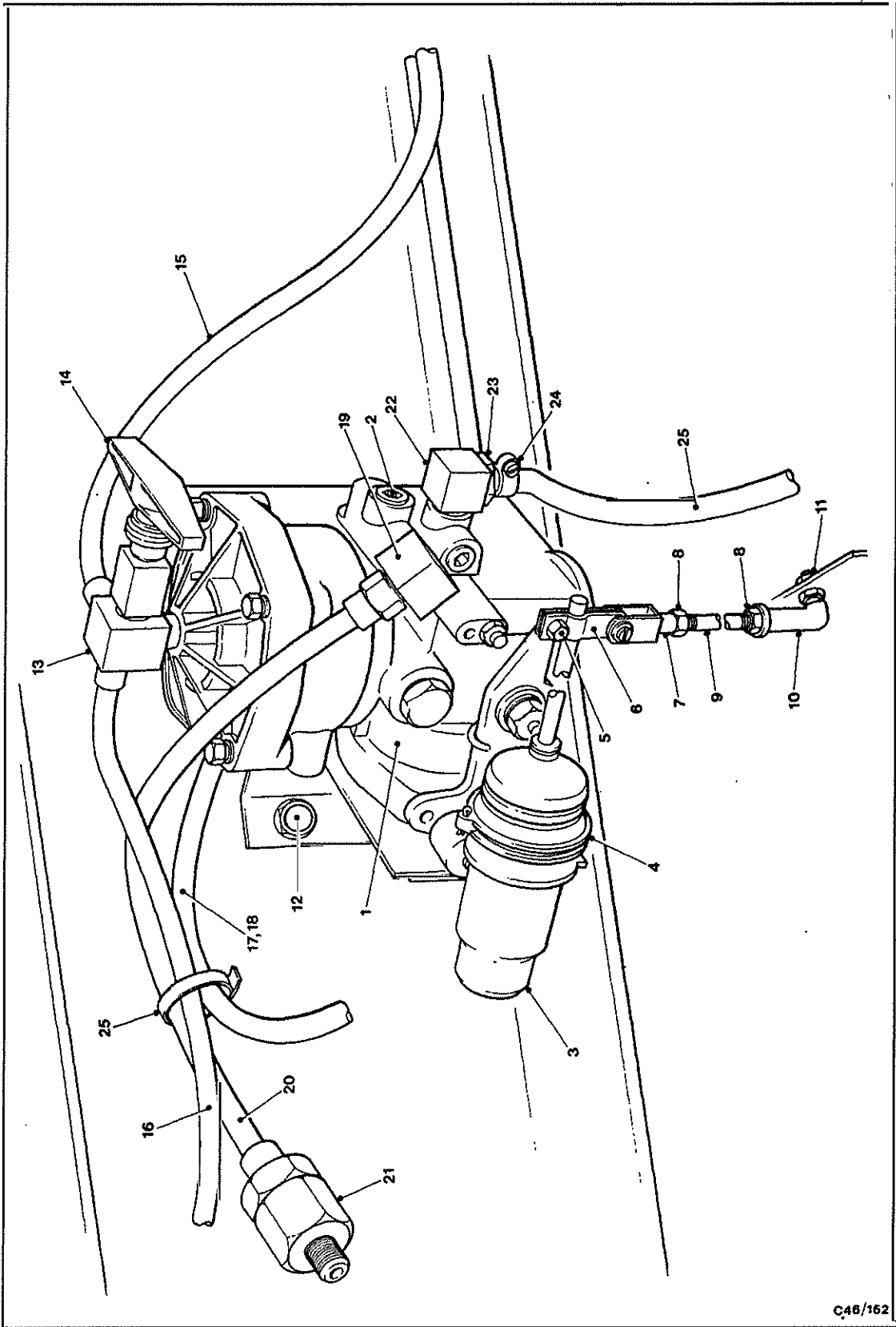
Fig 16 Load sensing valv and fittings

258

276

FIG ITEM	MAN CODE NAVY - N ARMY - A RAF - R	NATO STOCK NUMBER	ITEM NAME AND DESCRIPTION	PART NO./ DRAWING NO.	NO. OFF	ANNOTATIONS
Fig 16						
1-4	A	7BD	2530-99-757-6972	CONTROLS - contd ..AIR PRESSURE SYSTEM - contd		
2	A	7BD	4730-00-044-4692	..VALVE, LOAD SENSING	91093272	1
NI	A	6MT9	2530-99-833-5649	...PLUG, PIPE	444692	2
NI	A	6MT9	2530-99-816-9608	...VALVE CHECK	KX2016-1	1
NI	A	6MT1	5365-99-816-8076	...DISC, VALVE, EXHAUST CHECK	243969	1
3-4	A	6MT9	2530-99-748-1772	...RING, RETAINING		1
				...KNUCKLE ASSEMBLY, VALVE OPERATING, 442.80 mm lg, spring loaded; c/w gaiter	APSA4707B-21	1
4	A	6MT9	2530-99-748-1779	...BELLOWS, PROTECTION, syn rubber, 8.50 mm id x 52 mm od x 45 mm free lg	SF1354-23	1
NI	A	6MT9	4730-99-825-7594	..ADAPTOR, ELBOW, PIPE, 1/4 in. - 18 PTF female thd one end, 1/4 in. - 18 NPTF male thd other end	SF1267	1
NI	A	6MT9	2530-99-748-1773	..PARTS KIT, LOAD SENSING VALVE; c/w 33 items	GA28737	AR
5-11	A	7BD	2590-99-836-6672	..LINKAGE ASSEMBLY, STRIKER	91082197	1
12	A	G1	5310-99-122-5299	..NUT, PLAIN, HEXAGON		4
NI	A			..WASHER		7
NI	A	G1	5305-99-122-4911	..SCREW, MACHINE		4
NI	A	G1	5305-99-122-4910	..SCREW, MACHINE		3
13	A	6MT9	4730-99-748-1778	..ADAPTOR, DOUBLE ELBOW, steel, M16 - 1.5 mm male thd two ends, 1/4 in. NPTF male thd 3rd end, 1/4 in. NPTF female thd 4th end	5005123	1
14	A	7BD	2530-99-759-1038	..VALVE ASSEMBLY, TEST, AIR SYSTEM, w/1/4 in. NPTF male thd one end, M16 - 1.5 mm male thd other end; c/w captive thd cap	9958138	1
15			NP	..PIPE ASSEMBLY	91049688	1
16			NP	..PIPE ASSEMBLY	91049692	1
NI	A	6MT9	4710-99-833-8446	...PIPING, PLASTICS, SEMI-RIGID	C608 YELLOW	AR
NI	A	7BD	4730-99-833-5531	...NUT, UNION, PIPE	91035370	2
NI	A	6MT9	4730-99-833-5530	...SLEEVE, FLARED, PIPE FITTING	LA0881	2
NI	A	6MT9	4730-99-833-5529	...INSERT, FLARED, PIPE FITTING	LA08NSS0	2
17	A	7BD	4730-99-748-6629	..ADAPTOR, ELBOW, PIPE, steel, M18 - 1.5 mm thd one end, 1/2 in. - 14 NPTF thd other end	11499074	1
18			NP	..PIPE ASSEMBLY	91061049	1
NI	A	6MT9	4710-99-833-8446	...PIPING, PLASTICS, SEMI-RIGID	C608 YELLOW	AR
NI	A	7BD	4730-99-833-5531	...NUT, UNION, PIPE	91035370	2
NI	A	6MT9	4730-99-833-5530	...SLEEVE, FLARED, PIPE FITTING	LA0881	2
NI	A	6MT9	4730-99-833-5529	...INSERT, FLARED, PIPE FITTING	LA08NSS0	2
19	A	7BD	4730-99-748-2423	..ADAPTOR, ELBOW, PIPE, steel, M18 - 1.5 mm thd one end, 1/4 in. - 18 NPTF thd other end	11499598	1
20			NP	..PIPE ASSEMBLY	91061049	1
NI	A	6MT9	4710-99-833-8446	...PIPING, PLASTICS, SEMI-RIGID	C608 YELLOW	AR
NI	A	7BD	4730-99-833-5531	...NUT, UNION, PIPE	91035370	2
NI	A	6MT9	4730-99-833-5530	...SLEEVE, FLARED, PIPE FITTING	LA0881	2
NI	A	6MT9	4730-99-833-5529	...INSERT, FLARED, PIPE FITTING	LA08NSS0	2
21	A	6MT9	2530-99-748-1407	..VALVE, BIASING, 75.20 mm o/a lg, M16 - 1.5 mm male thd one end, M18 - 1.5 mm male thd other end	APSA 10289	1

259



2.60

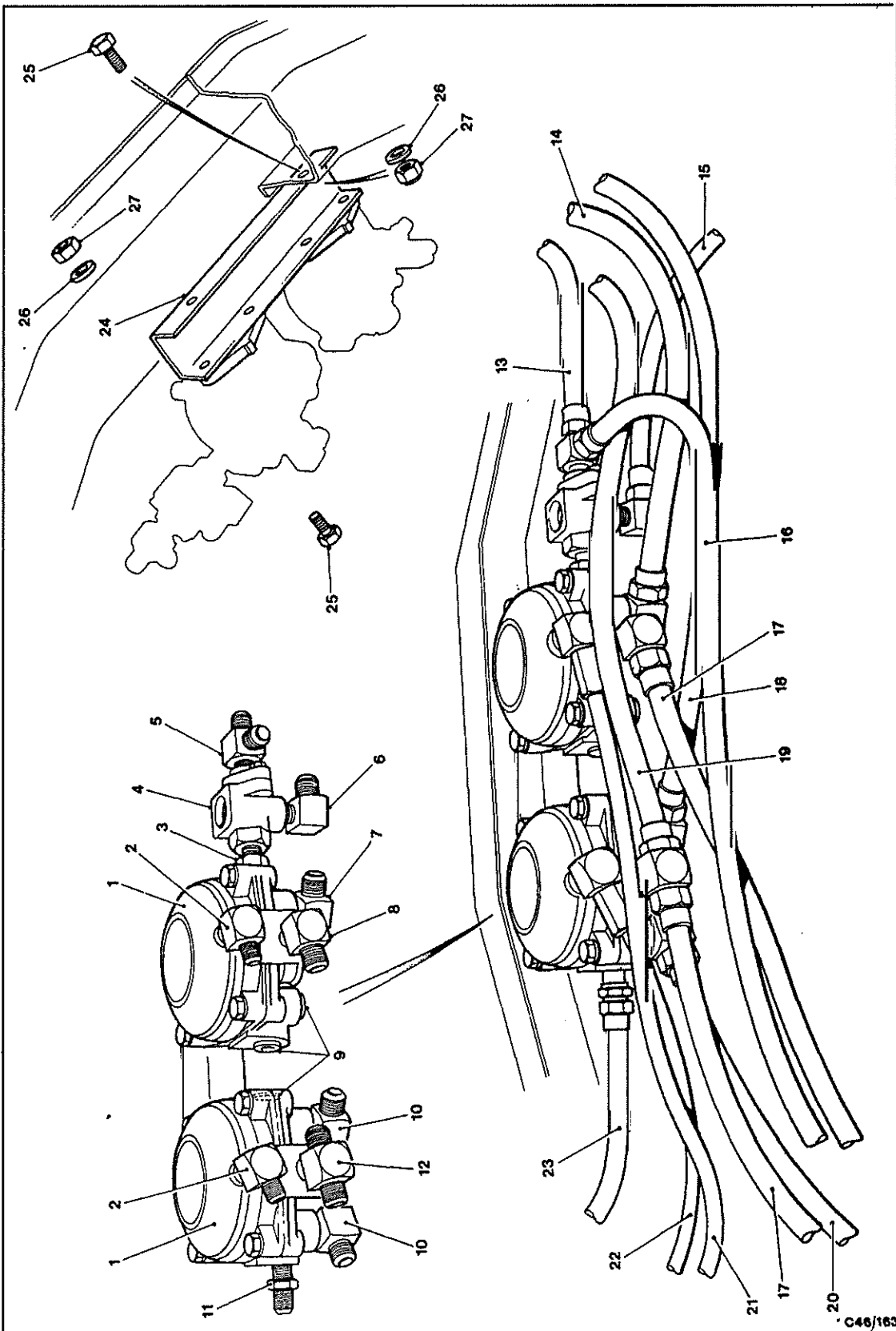
Fig 16 Load sensing valve and fittings

ARMY EQUIPMENT
SUPPORT PUBLICATIONS

2320-I-701-711

FIG ITEM	MAN CODE NAVY - N ARMY - A RAF - R	NATO STOCK NUMBER	ITEM NAME AND DESCRIPTION	PART NO./ DRAWING NO.	NO. OFF	ANNOTATIONS
Fig 16			CONTROLS - contd			
23	A 7BD	4730-99-748-2392	.AIR PRESSURE SYSTEM - contd ..ADAPTOR, STRAIGHT, PIPE TO HOSE, steel, 1/4 in. - 18 PTF thd	11499203	1	
24-25	A 7BD	4730-99-749-1931	..HOSE ASSEMBLY, RUBBER, 0.44 in. id x 0.81 in. od x 445 mm lg, processed both ends, w/hose clips assembled	9964927	1	
NI	A 7BD	4730-99-749-1930	..HOSE ASSEMBLY, RUBBER, 0.44 in. id x 0.81 in. od x 470 mm lg, processed both ends; w/hose clips assembled	9965697	1	

196



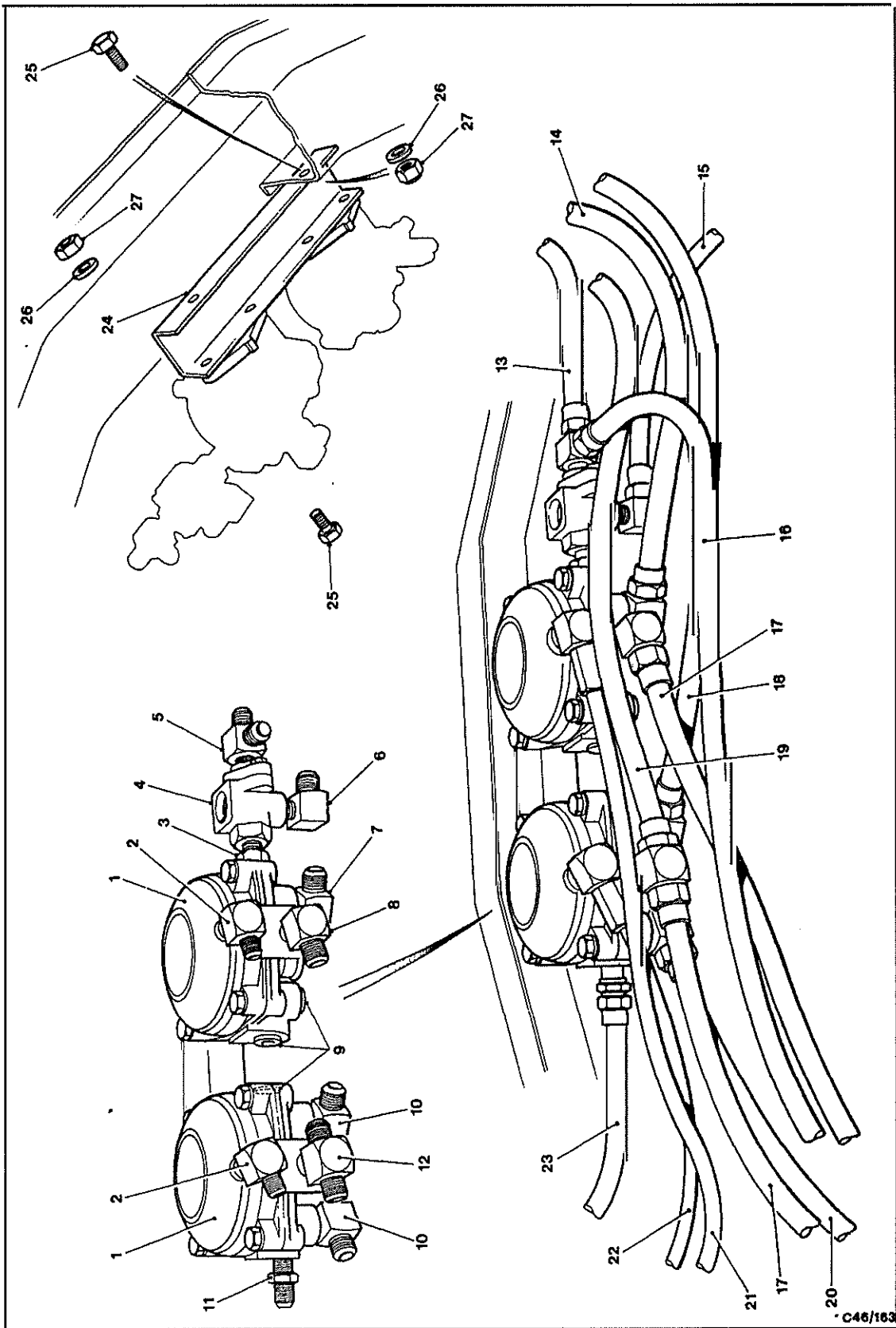
C46/163

262

Fig 17 Relay valve and pipes

260

FIG ITEM	MAN CODE NAVY - N ARMY - A RAF - R	NATO STOCK NUMBER	ITEM NAME AND DESCRIPTION	PART NO./ DRAWING NO.	NO. OFF	ANNOTATIONS
Fig 17						
1	A	6MT9	2530-99-833-4647	..AIR PRESSURE SYSTEM -- contd		
NI	A	6MT9	2530-99-816-9607	..VALVE, RELAY, AIR PRESSURE	295529	2
NI	A	6MT9	2530-99-822-4782	...VALVE CORE ASSEMBLY	279181	1
2	A	7BD	4730-99-748-2422	..PARTS KIT, RELAY VALVE	263945	AR
				..ADAPTOR, ELBOW, PIPE, steel, M12 - 1 mm pitch one end, 1/4 - 18 NPTF thd other end	11499445	2
3	A	7BD	4730-99-839-3693	..ADAPTOR, STRAIGHT, PIPE, steel, 1/4 - 18 NPTF thd one end, 3/8 - 18 NPTF thd other end	11499192	1
4		NP		..VALVE, CHANGE OVER	7210734	1
5	A	7BD	4730-99-748-2388	..ADAPTOR, TEE, PIPE, steel, M16 - 1.5 mm pitch, two ends, 1/4 - 18 NPTF thd other end	11499494	1
6	A	7BD	4730-99-748-1762	..ADAPTOR, ELBOW, PIPE, steel, M18 - 1.5 mm pitch one end, 1/4 in NPTF thd other end	11499072	1
7	A	7BD	4730-99-748-6628	..ADAPTOR, ELBOW, PIPE, steel, M18 - 1.5 mm pitch one end, 3/8 - 18 NPTF thd other end	11499073	1
8	A	7BD	4730-99-748-6629	..ADAPTOR, ELBOW, PIPE, steel, M18 - 1.5 mm pitch one end, 1/2 - 14 NPTF thd other end	11499074	1
9	A	6MT1	4730-99-827-8028	..PLUG, PIPE		3
10	A	7BD	4730-99-748-2389	..ADAPTOR, TEE, PIPE, steel, M18 - 1.5 thd two ends, 1/2 - 14 NPTF other end	11499255	1
11	A	7BD	4730-99-748-2335	..ADAPTOR, STRAIGHT, PIPE, 3/8 in. NPTF one end, M16 - 1.5 mm male thd other end	11499063	1
12	A	7BD	4730-99-748-2417	..ADAPTOR, ELBOW, PIPE, steel, M16 - 1.5 pitch thd one end, 3/8 - 18 NPTF thd other end	11499069	2
13		NP		..PIPE ASSEMBLY	91052419	1
NI	A	6MT9	4710-99-829-9272	...PIPING, PLASTICS, SEMI-RIGID, nylon, yellow, 0.250 in. id x 0.375 in. od	C606 YELLOW	AR
NI	A	7BD	4730-99-833-5528	...NUT, UNION, PIPE	91035373	2
NI	A	6MT9	4730-99-829-7966	...SLEEVE	IA06-81	2
NI	A	6MT9	4730-99-829-7967	...BARBED INSERT, HOSE COUPLING	IA06-06NS50	2
14		NP		..PIPE ASSEMBLY	91059431	1
NI	A	6MT9	4720-99-759-2896	...HOSE, NONMETALLIC, nylon, w/ polyester braid reinforcement, 0.376 in. id, orange	C608 ORANGE	AR
NI	A	7BD	4730-99-833-5531	...NUT, UNION, PIPE	91035370	2
NI	A	6MT9	4730-99-833-5530	...SLEEVE, FLARED, PIPE FITTING	IA0881	2
NI	A	6MT9	4730-99-833-5529	...INSERT, FLARED, PIPE FITTING	IA08NS50	2
15		NP		..PIPE ASSEMBLY	91061053	1
NI	A	6MT9	4720-99-759-2896	...HOSE, NONMETALLIC, nylon, w/ polyester braid reinforcement, 0.376 in. id, orange	C608 ORANGE	AR
NI	A	7BD	4730-99-833-5531	...NUT, UNION, PIPE	91035370	2
NI	A	6MT9	4730-99-833-5530	...SLEEVE, FLARED, PIPE FITTING	IA0881	2
NI	A	6MT9	4730-99-833-5529	...INSERT, FLARED, PIPE FITTING	IA08NS50	2
16		NP		..PIPE ASSEMBLY	91049688	1
NI	A	6MT9	4710-99-829-9272	...PIPING, PLASTICS, SEMI-RIGID, nylon, yellow, 0.250 in. id	C606 YELLOW	AR
NI	A	7BD	4730-99-833-5528	...NUT, UNION, PIPE	91035373	2
NI	A	6MT9	4730-99-829-7966	...SLEEVE	IA06-81	2
NI	A	6MT9	4730-99-829-7967	...BARBED INSERT, HOSE COUPLING	IA06-06NS50	2



264

Fig 17 R lay valv and pipes

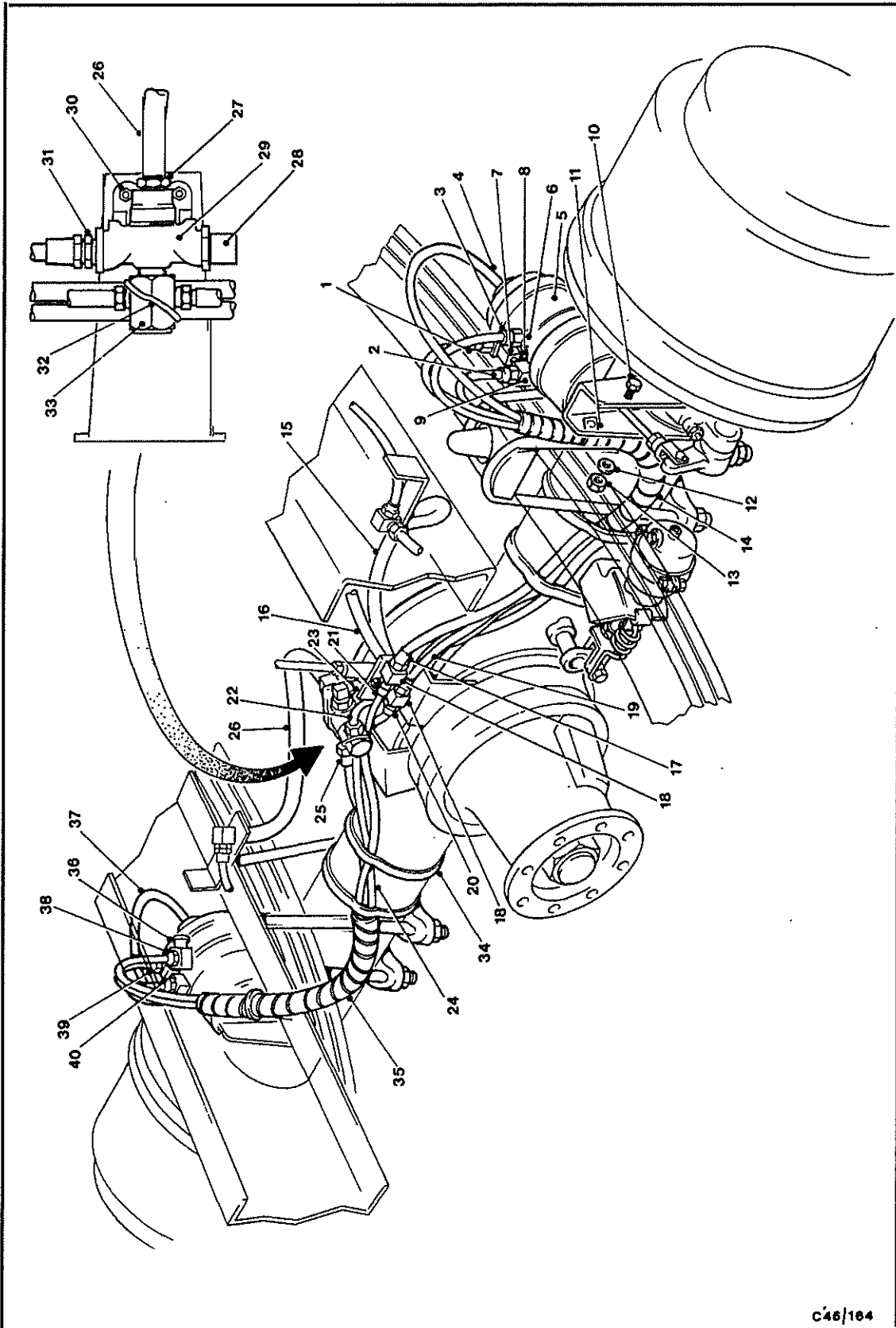
202

ARMY EQUIPMENT
SUPPORT PUBLICATIONS

2320-L-701-711

FIG ITEM	MAN CODE NAVY - N ARMY - A RAF - R	NATO STOCK NUMBER	ITEM NAME AND DESCRIPTION	PART NO./ DRAWING NO.	NO. OFF	ANNOTATIONS
Fig 17			CONTROLS - contd ..AIR PRESSURE SYSTEM - contd			
17		NP	..PIPE ASSEMBLY	91070352	1	
NI A	6MT9	4710-99-833-8447	...PIPING, PLASTICS, SEMI-RIGID	C608 RED	AR	
NI A	7BD	4730-99-833-5531	...NUT, UNION, PIPE	91035370	2	
NI A	6MT9	4730-99-833-5530	...SLEEVE, FLARED, PIPE FITTING	IA0881	2	
NI A	6MT9	4730-99-833-5529	...INSERT, FLARED, PIPE FITTING	IA08NS50	2	
18		NP	..PIPE ASSEMBLY	91077403	1	
NI A	6MT9	4710-99-836-1403	...PIPING, PLASTICS, RIGID	C606 GREEN	AR	
NI A	7BD	4730-99-833-5528	...NUT, UNION, PIPE	91035373	2	
NI A	6MT9	4730-99-829-7966	...SLEEVE	IA06-81	2	
NI A	6MT9	4730-99-829-7967	...BARBED INSERT, HOSE COUPLING	IA06-06NS50	2	
19		NP	..PIPE ASSEMBLY	91074389	1	
NI A	6MT9	4710-99-836-1403	...PIPING, PLASTICS, RIGID	C606 GREEN	AR	
NI A	7BD	4730-99-833-5528	...NUT, UNION, PIPE	91035373	2	
NI A	6MT9	4730-99-829-7966	...SLEEVE	IA06-81	2	
NI A	6MT9	4730-99-829-7967	...BARBED INSERT, HOSE COUPLING	IA06-06NS50	2	
20		NP	..PIPE ASSEMBLY	91074389	1	
NI A	6MT9	4710-99-836-1403	...PIPING, PLASTICS, RIGID	C606 GREEN	AR	
NI A	7BD	4730-99-833-5528	...NUT, UNION, PIPE	91035373	2	
NI A	6MT9	4730-99-829-7966	...SLEEVE	IA06-81	2	
NI A	6MT9	4730-99-829-7967	...BARBED INSERT, HOSE COUPLING	IA06-06NS50	2	
21		NP	..PIPE ASSEMBLY	91063129	1	
NI A	6MT9	4720-99-756-8559	...HOSE, NONMETALLIC, nylon, w/ polyester braid reinforcement, 0.170 in. id, orange	C604 ORANGE	AR	
NI A	6MT9	4730-99-749-1001	...NUT, SLEEVE, steel, hex, M12 x 1 mm pitch	4-422795	2	
NI A	6MT9	4730-99-747-9633	...SLEEVE, FLARED, PIPE FITTING, brass, 6 mm	4-422337	2	
NI A	6MT9	4730-99-749-1000	...INSERT, FLARED, PIPE FITTING, clinch type, brass, u/w 6 mm od tubing	4-422327	2	
22		NP	..PIPE ASSEMBLY	91056245	1	
NI A	6MT9	4720-99-756-8560	...HOSE, NONMETALLIC, nylon, w/ polyester braid reinforcement, 0.170 in. id, green	C604 GREEN	AR	
NI A	6MT9	4730-99-749-1001	...NUT, SLEEVE, steel, hex, M12 x 1 mm pitch	4-422795	2	
NI A	6MT9	4730-99-747-9633	...SLEEVE, FLARED, PIPE FITTING, brass, 6 mm	4-422337	2	
NI A	6MT9	4730-99-749-1000	...INSERT, FLARED, PIPE FITTING, clinch type, brass, u/w 6 mm od tubing	4-422327	2	
25	A	G1	..SCREW, MACHINE		6	
26	A		..WASHER, LOCK		6	
27	A	G1	..NUT, PLAIN, HEXAGON		6	

965



Chap 2-6

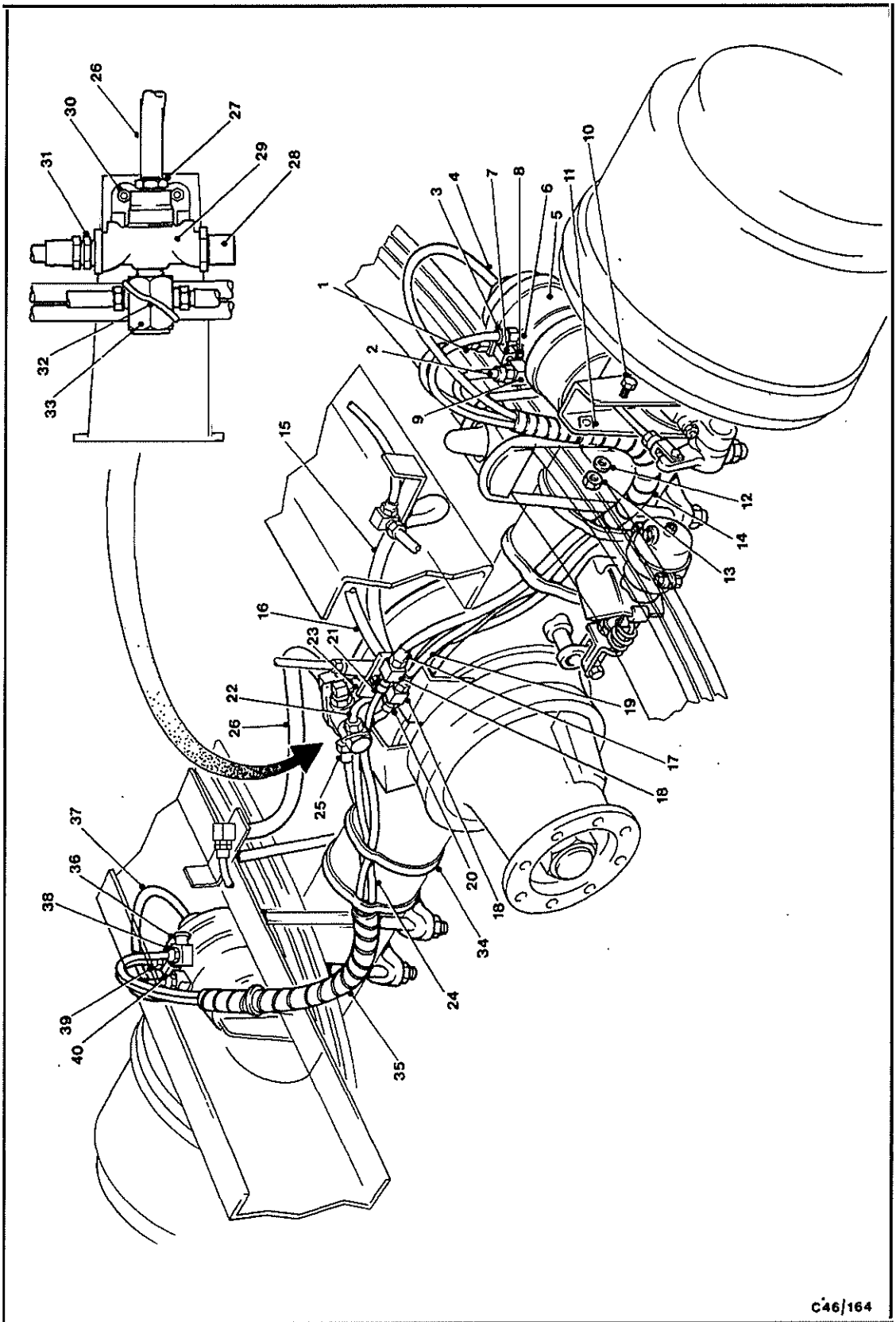
Fig 18 R ar brak actuators and fittings

C46/184

9.66

FIG ITEM	MAN CODE NAVY - N ARMY - A RAF - R	NATO STOCK NUMBER	ITEM NAME AND DESCRIPTION	PART NO./ DRAWING NO.	NO. OFF	ANNOTATIONS	
Fig 18							
1	NI A	6MT9	NP 4720-99-756-6550	CONTROLS - contd ..AIR PRESSURE SYSTEM - contd ..REAR BRAKE ACTUATORS AND FITTINGS - ...PIPE ASSEMBLYHOSE, NONMETALLIC, nylon, w/ polyester braid reinforcement, 0.251 in. id x 0.375 in. od, orange	91077411	1	
NI	A	7BD	4730-99-833-5528NUT, UNION, PIPE	C606 ORANGE	AR	
NI	A	6MT9	4730-99-829-7966SLEEVE	91035373	2	
NI	A	6MT9	4730-99-829-7967BARBED INSERT, HOSE COUPLING	IA06-81	2	
					IA06-06NS50	2	
2			NP	...PIPE ASSEMBLY	91056266	1	
3			NP	...PIPE ASSEMBLY	91049684	1	
NI	A	6MT9	4710-99-829-9272PIPING, PLASTICS, SEMI-RIGID	C606 YELLOW	AR	
NI	A	7BD	4730-99-833-5528NUT, UNION, PIPE	91035373	2	
NI	A	6MT9	4730-99-829-7966SLEEVE	IA06-81	2	
NI	A	6MT9	4730-99-829-7967BARBED INSERT, HOSE COUPLING	IA06-06NS50	2	
4			NP	...PIPE, ASSEMBLY, BREATHER, Lh	91076266	1	
5	A	6MT9	2530-99-828-0647	...CHAMBER, AIR PRESSURE BRAKE	41010660	2	
NI	A	6MT9	2530-99-748-1831	...PUSH ROD ASSEMBLY, BRAKE ACTUATOR	295217	2	
NI	A	6MT9	2530-99-748-1832	...CYLINDER ASSEMBLY, AIR PRESSURE BRAKE, w/heavy duty spring, full wind off	KY754-17	2	
NI	A	G1	5305-99-941-0576SCREW, MACHINE	SK2758-2	2	
NI	A	W17	2530-99-214-3745	...MAINTENANCE KIT, CHAMBER BRAKE	SK2650-2	2	AR
NI	A	6MT9	2530-99-748-1830	...PARTS KIT, ACTUATOR, SPRING BRAKE, comprises of 4 items	SK2650-2	2	
6	A	7BD	4730-99-748-2393	...ADAPTOR, STRAIGHT, PIPE, steel, M16 - 1.5 thd one end, 1/4 in. - 18 NPTF other end	11499062	1	
7	A	6MT9	2530-99-819-0978	...VALVE, DOUBLE CHECK	7210734	2	
8	A	7BD	4730-99-748-2394	...UNION, PIPE, steel, 1/4 in. - 18 NPTF thd both ends	11499188	2	
9	A	7BD	4730-99-748-2417	...ADAPTOR, ELBOW, PIPE, steel, M16 - 1.5 mm thd one end, 1/4 in. - 18 NPTF thd other end	11499068	4	
10	A	G1	5305-99-122-5362	...SCREW, MACHINE		2	
12	A	G1	5310-99-203-6405	...WASHER, LOCK		2	
13	A	G1	5310-99-122-5295	...NUT, PLAIN, HEXAGON		2	
15	A	7BD	4730-99-749-1929	...HOSE ASSEMBLY, RUBBER, 0.44 in. id x 0.81 in. od x 600 mm lg, processed both ends, w/hose clip assembled	91011337	1	
16	A	7BD	4730-99-749-1931	...HOSE ASSEMBLY, RUBBER, 0.44 in. id x 0.81 in. od x 445 mm lg, processed both ends, w/hose clip assembled	9964927	1	
17			NP	...PIPE ASSEMBLY	91049684	1	
NI	A	6MT9	4710-99-829-9272PIPING, PLASTICS, SEMI-RIGID	C606 YELLOW	AR	
NI	A	7BD	4730-99-833-5528NUT, UNION, PIPE	91035373	2	
NI	A	6MT9	4730-99-829-7966SLEEVE	IA06-81	2	
NI	A	6MT9	4730-99-829-7967BARBED INSERT, HOSE COUPLING	IA06-06NS50	2	

267



C46/164

Chap 2-6

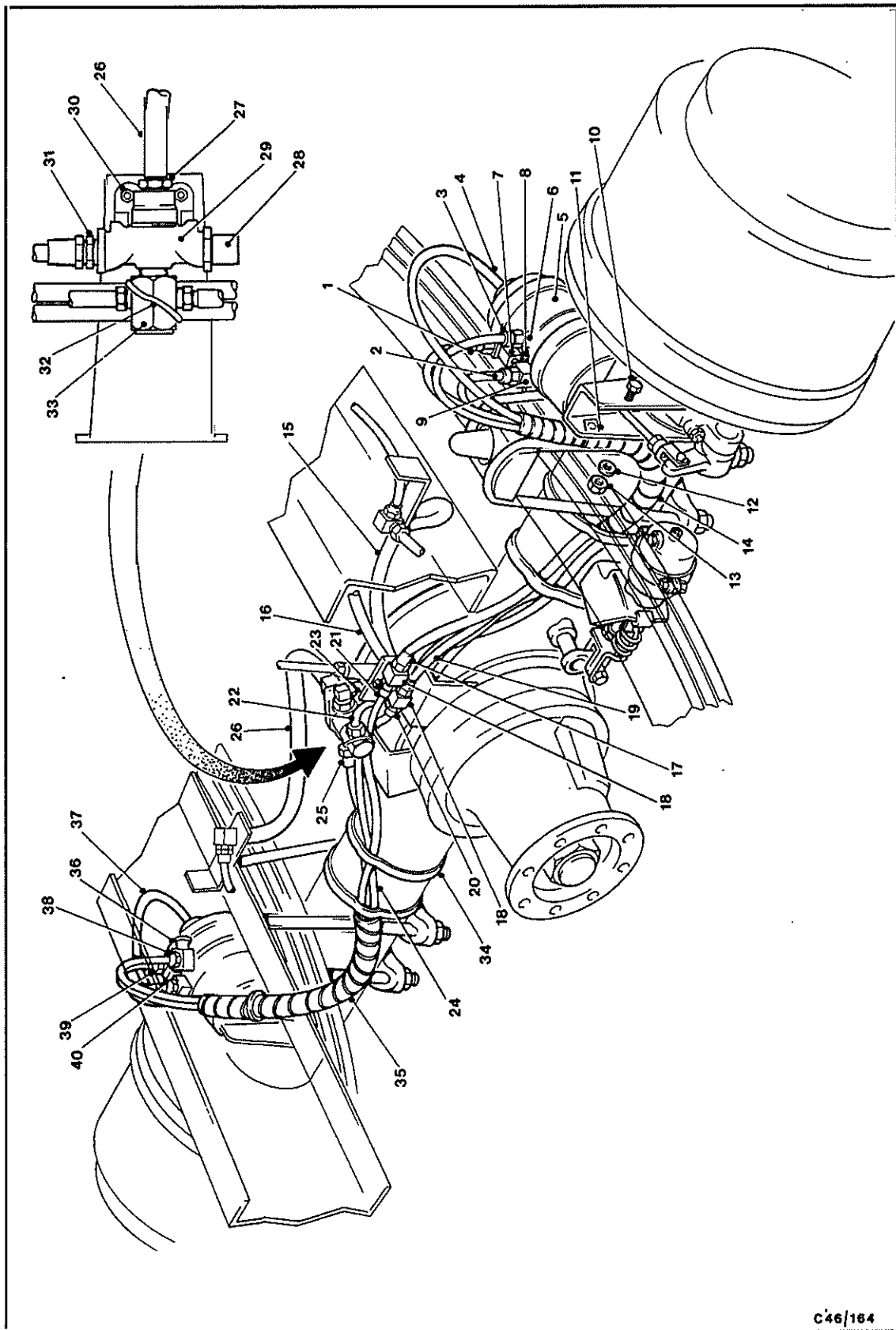
Fig 18 R ar brak actuators and fittings

268

26

FIG ITEM	MAN CODE NAVY - N ARMY - A RAF - R	NATO STOCK NUMBER	ITEM NAME AND DESCRIPTION	PART NO./ DRAWING NO.	NO. OFF	ANNOTATIONS
Fig 18			CONTROLS - contd ..AIR PRESSURE SYSTEM - contd ..REAR BRAKE ACTUATORS AND FITTINGS - contd			
18	A 7BD	4730-99-839-3694	...ADAPTOR, TEE, PIPE TO HOSE, steel, M16 - 1.5 mm thd two ends, hose connection 3rd end	11499213	2	
NI	A G1	5310-12-156-4985	...NUT, PLAIN, HEXAGON	91056265	2	
19		NP	...PIPE ASSEMBLY	91056265	1	
20		NP	...PIPE ASSEMBLY	91076264	1	
NI	A 6MT9	4720-99-756-6550	...HOSE, NONMETALLIC, nylon, w/ polyester braid reinforcement, 0.251 in. id x 0.375 in. od, orange			
NI	A 7BD	4730-99-833-5528NUT, UNION, PIPE	C606 ORANGE 91035373	AR 2	
NI	A 6MT9	4730-99-829-7966SLEEVE	IA06-81	2	
NI	A 6MT9	4730-99-829-7967BARBED INSERT, HOSE COUPLING	IA06-06NS50	2	
21		NP	...PIPE ASSEMBLY	91056267	1	
NI	A 6MT9	4710-99-829-9272PIPE, PLASTICS, SEMI-RIGID	C606 YELLOW	AR	
NI	A 7BD	4730-99-833-5528NUT, UNION, PIPE	91035373	2	
NI	A 6MT9	4730-99-829-7966SLEEVE	IA06-81	2	
NI	A 6MT9	4730-99-829-7967BARBED INSERT, HOSE COUPLING	IA06-06NS50	2	
22		NP	...PIPE ASSEMBLY, BREATHER, left hand	91076266	1	
23		NP	...PIPE ASSEMBLY	91077411	1	
NI	A 6MT9	4720-99-756-6550	...HOSE, NONMETALLIC, nylon, w/ polyester braid reinforcement, 0.251 in. id x 0.375 in. id, orange			
NI	A 7BD	4730-99-833-5528NUT, UNION, PIPE	C606 ORANGE 91035373	AR 2	
NI	A 6MT9	4730-99-829-7966SLEEVE	IA06-81	2	
NI	A 6MT9	4730-99-829-7967BARBED INSERT, HOSE COUPLING	IA06-06NS50	2	
24	A 7BD	4710-99-749-1932	...PIPING, PLASTICS, SEMI-RIGID, nylon, black, 12.7 mm od x 1330 mm lg	91076265	1	
25		NP	...PIPE ASSEMBLY	91076264	1	
NI	A 6MT9	4720-99-756-6550	...HOSE, NONMETALLIC, nylon, w/ polyester braid reinforcement, 0.251 in. id x 0.375 in. od, orange			
NI	A 7BD	4730-99-833-5528NUT, UNION, PIPE	C606 ORANGE 91035373	AR 2	
NI	A 6MT9	4730-99-829-7966SLEEVE	IA06-81	2	
NI	A 6MT9	4730-99-829-7967BARBED INSERT, HOSE COUPLING	IA06-06NS50	2	
26	A 7BD	4730-99-749-1930	...HOSE ASSEMBLY, RUBBER, 0.44 in. id x 0.81 in. od x 470 mm lg, processed both ends, w/hose clips assembled	9965697	1	
27	A 7BD	4730-99-748-2398	...ADAPTOR, STRAIGHT, PIPE TO HOSE, steel, 3/8 in. - 18 PTF thd one end, 11.557 mm od connection other end	11499238	1	
28	A 7BD	4730-99-748-2419	...ADAPTOR, ELBOW, PIPE, steel, M16 - 1.5 mm thd one end, 1/4 in. - 18 NPTF thd other end	11499068	1	

264



970

Fig 18 R ar brake actuators and fittings

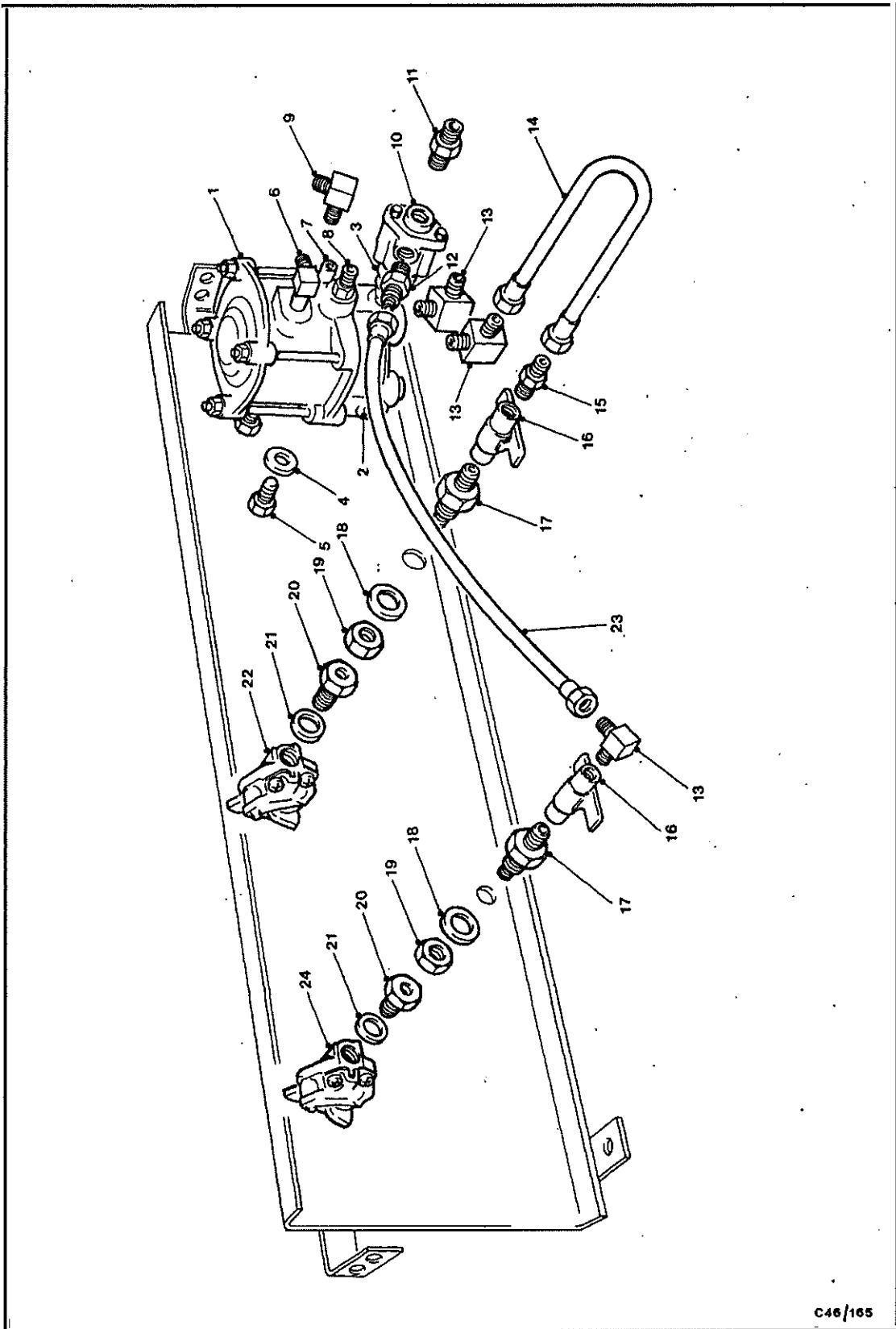
ARMY EQUIPMENT
SUPPORT PUBLICATIONS

2320-L-701-711

FIG ITEM	MAN CODE NAVY - N ARMY - A RAF - R	NATO STOCK NUMBER	ITEM NAME AND DESCRIPTION	PART NO./ DRAWING NO.	NO. OFF	ANNOTATIONS
Fig 18			CONTROLS - contd .AIR PRESSURE SYSTEM - contd ..REAR BRAKE ACTUATORS AND FITTINGS - contd			
29	A 6MT9	2530-99-821-0493	...VALVE, DIVERTER, AIR PRESSURE	274996	1	
30	A G1	5305-99-122-5367	...SCREW, MACHINE		2	
NI	A G1	5310-99-208-6457	...WASHER, LOCK		2	
NI	A 7BD	5310-99-137-8017	...NUT, PLAIN, HEXAGON, SI metric, steel, M8 - 1.25 mm thd	11040197	2	
31	A 7BD	4730-99-748-2393	...ADAPTOR, STRAIGHT, PIPE, steel, M16 - 1.5 mm thd one end, 1/4 in. - 18 NPTF other end	11499062	1	
33	A 6MT9	2530-99-833-5649	...VALVE, CHECK, tee connector, 3/8 in. - 18 NPTF male thd, hose connectors other ends	KX2016-1	1	
34	A 7BD	5340-99-748-2367	...STRAP, LINE SUPPORTING, nylon, 700 mm lg x 7.6 mm w	91048416	4	
36	A 7BD	4730-99-748-2396	...ADAPTOR, TEE, PIPE, steel, 1/4 in. - 18 NPTF thd one end, 1/4 in. - 18 NPTF int thd other end, M16 - 1.5 thd 3rd end	11499551	1	
NI	A 7BD	2530-99-759-1038	...VALVE ASSEMBLY, TEST, AIR SYSTEM, w/1/4 in. NPTF male thd one end, M16 x 1.5 mm thd other end, c/w captive thd cap	9958138	1	
37	A 7BD	4710-99-749-1932	...PIPING, PLASTICS, SEMIRIGID, nylon, black, 12.7 mm od x 1330 mm lg	91076265	1	
38	NI A	NP 4710-99-829-9272	...PIPE ASSEMBLY	91056267	1	
NI	A 7BD	4730-99-833-5528	...PIPING, PLASTICS, SEMI-RIGID	C606 YELLOW	AR	
NI	A 6MT9	4730-99-829-7966	...NUT, UNION, PIPE	91035373	2	
NI	A 6MT9	4730-99-829-7967	...SLEEVE	IA06-81	2	
NI	A 6MT9	4730-99-829-7967	...BARBED INSERT, HOSE COUPLING	IA06-06NSS0	2	
39	NI A	NP 4720-99-756-6550	...PIPE ASSEMBLY	91076264	1	
NI	A 7BD	4730-99-833-5528	...HOSE, NONMETALLIC, nylon, w/ polyester braid reinforcement, 0.251 in. id x 0.375 in. od, orange	C606 ORANGE	AR	
NI	A 6MT9	4730-99-829-7966	...NUT, UNION, PIPE	91035373	2	
NI	A 6MT9	4730-99-829-7967	...SLEEVE	IA06-81	2	
NI	A 6MT9	4730-99-829-7967	...BARBED INSERT, HOSE COUPLING	IA06-06NSS0	2	
40	NI A	NP 4710-99-836-1403	...PIPE ASSEMBLY	91076263	1	
NI	A 7BD	4730-99-833-5528	...PIPING, PLASTICS, RIGID	C606 GREEN	AR	
NI	A 6MT9	4730-99-829-7966	...NUT, UNION, PIPE	91035373	2	
NI	A 6MT9	4730-99-829-7967	...SLEEVE	IA06-81	2	
NI	A 6MT9	4730-99-829-7967	...BARBED INSERT, HOSE COUPLING	IA06-06NSS0	2	

1176

20



978

Fig 19 Rear air trail coupling and pipe

FIG ITEM	MAN CODE NAVY - N ARMY - A RAF - R	NATO STOCK NUMBER	ITEM NAME AND DESCRIPTION	PART NO./ DRAWING NO.	NO. OFF	ANNOTATIONS
Fig 19						
1-2	A	6MT9	2530-99-748-1766	CONTROLS - contd ..AIR PRESSURE SYSTEM - contd ..VALVE, RELAY, AIR PRESSURE, triple piston; c/w mtg flange	APGA 6580AX	1
2	A	7BD	4730-99-838-7122	...PLUG, PIPE, steel, 1/2 in. NPTF male thd, hex socket drive	44704	3
NI	A	6MT9	2530-99-825-8221	..PARTS KIT, VALVE ASSEMBLY	GA29011	1
3	A	6MT9	4730-99-833-4873	..ADAPTOR, STRAIGHT, PIPE	SF1524	1
4	A			..WASHER		2
5	A			..SCREW, MACHINE		2
6	A	7BD	4730-99-839-3696	..ADAPTOR, ELBOW, PIPE, steel, M16 x 1.5 mm pitch one end, 1/4 in. - 18 NPTF thd other end	11499469	1
7	A	7BD	4730-99-748-2405	..ADAPTOR, STRAIGHT, PIPE, steel, M12 x 1 mm pitch one end, 1/4 in. - 18 NPTF other end	11499404	1
8	A	7BD	4730-99-748-2393	..ADAPTOR, STRAIGHT, PIPE, steel, M16 x 1.5 mm thd one end, 1/4 in. - 18 NPTF thd other end	11499062	1
9	A	7BD	4730-99-748-2419	..ADAPTOR, ELBOW, PIPE, steel, M16 - 1.5 mm thd one end, 1/4 in. - 18 NPTF thd other end	11499068	1
10	A	6MT9	2530-99-819-0978	..VALVE, DOUBLE CHECK, 1/4 in. dryseal parts	259989 AW	1
11	A	7BD	4730-99-748-2393	..ADAPTOR, STRAIGHT, PIPE, steel, M16 x 1.5 mm thd one end, 1/4 in. - 18 NPTF thd other end	11499062	1
12	A	7BD	4730-99-748-2380	..ADAPTOR, STRAIGHT, PIPE, steel, M18 x 1.5 mm thd one end, 1/4 in. - 18 NPTF thd other end	11499065	1
13	A	7BD	4730-99-748-6629	..ADAPTOR, ELBOW, PIPE, steel, M18 x 1.5 mm thd one end, 1/2 in. - 14 NPTF thd other end	11499074	2
14		NP		..PIPE ASSEMBLY	91049691	1
15	A	6MT9	2590-99-833-4645	..COCK, SHUT-OFF	KW3956-1	2
19	A	7BD	4730-99-748-0273	..NUT, PLAIN, HEXAGON, steel, 1 in. - 18 UNS	91026562	2
20	A	7BD	4730-99-748-1847	..ADAPTOR BUSHING, steel, hex M22 x 1.5 mm male thd, 3/8 in. - NPSI female thd	91049728	2
22	A	6MT9	4730-99-833-4699	..COUPLING, HALF, QUICK DISCONNECT	452-200- 020-0	1
23		NP		..PIPE ASSEMBLY	91102467	1
24	A	6MT9	4730-99-833-4842	..COUPLING HALF, QUICK DISCONNECT	452-200- 012-0	1
NI	A	7BD	2530-99-763-4548	..VALVE, CONTROL HAND, emergency, trailer, manual return	91094665	1
NI	A	7BD	4730-00-044-4692	...PLUG, PIPE, steel	444692	1
NI	A	7BD	9905-99-797-4508	..PLATE, DESIGNATION, 63 mm dia x 1.5 mm thk	91077714	2
NI	A	G1	5305-99-999-7678	..SCREW, MACHINE, UNC, steel, pan hd, No.10 x 1/2 in. lg		2
NI	A	7BD	9905-99-797-4509	..PLATE INSTRUCTION, trailer emergency off/on, 58 mm lg x 18 mm w x 0.77 mm thk	91103432	1

213

FIG ITEM	MAN CODE NAVY - N ARMY - A RAF - R	NATO STOCK NUMBER	ITEM NAME AND DESCRIPTION	PART NO./ DRAWING NO.	NO. OFF	ANNOTATIONS
NI	A	6MT1	4730-99-749-1940			CONTROLS - contd .AIR PRESSURE SYSTEM - contd ..TRANSFER GEARBOX -
NI	A	7BD	4730-99-748-1837		2	...ADAPTOR, STRAIGHT, PIPE, brass, 1/8 in. BSP male to M10 female
NI	A	6MT1	4730-99-748-1805	91042057	2	...ADAPTOR, ELBOW, PIPE, brass, 1/4 in. NPTF male to M10 female
NI	A	6MT1	4730-99-748-1299	91048613	3	...ADAPTOR, STRAIGHT, PIPE, brass, 1/8 in. BSPT male to M10 female
NI	A	6MT1	4730-99-749-1941		1	...CONNECTOR, MULTIPLE, brass, 27 mm lg x 26 mm w x 13 mm h, 4 ports, 1 mtg hole
NI	A	7BD	4730-99-749-9813		AR	...BOLT, FLUID PASSAGE, brass, 1/8 in. BSP
NI	A	7BD	4730-99-749-9814	11499406	1	...ELBOW, PIPE, steel, M16 male, both ends
NI	A	6MT1	4730-99-749-1944	91065687	1	...ADAPTOR, TEE, PIPE, steel, M18 male, 1/4 in. NPTF female, M16 male
NI	A	6MT1	4730-99-749-1945)	...COUPLING, PIPE, brass, M10 female both ends, 19 mm A/F, M15 ext thd
NI	A	6MT1	4730-99-749-1946)	...ELBOW, PIPE, brass, 90 deg angle, M10 female both ends
NI	A	7BD	4730-99-748-1294)	...ADAPTOR, ELBOW, PIPE TO HOSE, brass, M10 female to 5 mm od plain boss
NI	A	7BD	4730-99-748-1294	91011887	2	...ADAPTOR, TEE, PIPE, aluminium, 2 ends, M10 female, other end 1/4 in. NPTF female, M6 stud hole
NI	A	7BD	4730-99-748-6570		1	...ADAPTOR, CROSS, PIPE, steel, 3 ends M16 male, 1 end 1/8 in. NPTF female
NI	A	7BD	4730-99-748-1836	11499542	1	...TEE PIPE, brass, M10 female
NI	A	6MT1	4730-99-748-1835	91041716	1	...NIPPLE, PIPE, brass, 60 deg cone both ends, 31 mm lg, M10 ext thd
NI	A	G1	5310-12-156-4985		AR	...NUT, PLAIN, HEXAGON, ISO metric, steel, 12 mm
NI	A	G1	5310-99-977-1043		1	...NUT, PLAIN, HEXAGON, ISO metric, steel, 18 mm
NI	A	6MT1	4730-99-748-6577		AR	...NUT, PLAIN, HEXAGON, ISO metric, brass, 15 mm
NI	A	G1	5310-99-122-5294		1	...NUT, PLAIN, HEXAGON, ISO metric, steel, 5 mm
NI	A	G1	5305-99-122-5357		1	...SCREW, MACHINE, ISO metric, steel, 5 mm
NI	A	G1	5310-99-122-3032		1	...WASHER, FLAT, steel, 5 mm id x 10 mm od x 1 mm thk
NI	A	G1	5330-99-534-4406		10	...GASKET, rubber/steel, 0.466 in. od x 0.062 in. cross sect
NI	A	6MT1	2590-99-833-4692		2	...CYLINDER ASSEMBLY, ACTUATING, LINEAR, double acting, 105 mm x 35 mm stroke
NI	A	G1	5310-99-122-5295		4	...NUT, PLAIN, HEXAGON, ISO metric, steel, 6 mm
NI	A	7BD	5310-99-977-0339	91038221	1	...NUT, PLAIN, HEXAGON
NI	A	G1	5310-99-122-5298		2	...NUT, PLAIN, HEXAGON, ISO metric, steel, 12 mm
NI	A	G1	5305-99-122-4913		2	...SCREW, MACHINE, ISO metric, steel, 12 mm

HLV

297

FIG ITEM	MAN CODE NAVY - N ARMY - A RAF - R	NATO STOCK NUMBER	ITEM NAME AND DESCRIPTION	PART NO./ DRAWING NO.	NO. OFF	ANNOTATIONS
NI	A 7BD	4730-99-749-8653	CONTROLS - contd ..AIR PRESSURE SYSTEM - contd			
NI	A G1	5310-99-203-6405	..TRANSFER GEARBOX - contd ...VALVE, ROTARY, drive selector; c/w 10 PTFE tubes	91074046	1	
NI	A G1	5310-99-530-0155	...WASHER, LOCK, steel, split helical ring, 6 mm id		1	
NI	A G1	5310-99-122-6476	...WASHER, LOCK, steel, split helical ring, 12 mm id		2	
NI	A 7BD	5340-99-804-2569	...WASHER, FLAT, steel, 10 mm id x 21 mm od x 2 mm thk		1	
NI	A 7BD	5340-99-749-8654	...CLIP, SPRING TENSION ...STRAP, LINE SUPPORTING, plastics; w/integral buckle, 9 mm w x 250 mm lg	6358148)	AR
NI	A 7BD	5340-99-824-6033	...STRAP, LINE SUPPORTING	9275821)	
NI	A 7BD	2590-99-833-4625	...LEVER, REMOTE CONTROL	8838564)	
NI	A 7BD	2590-99-836-3415	...LEVER, REMOTE CONTROL	91037325	1	
NI	A 7BD	5315-99-833-4624	...PIN, PIVOT	91041340	1	
NI	A 7BD	5315-99-749-8657	...PIN, SPRING, steel, 1.5 mm dia x 20 mm lg	91037320	1	
				11083131	1	
NI	A 7BD	2590-99-749-8656	..POWER TAKE-OFF - ...LEVER, REMOTE CONTROL	91041346	1	
			..REAR AXLE DIFFERENTIAL LOCK -			
NI	A 6MT1	4820-99-839-4297	...VALVE, PNEUMATIC, toggle switch action, 3 parts		1	
NI	A 7BD	4730-99-748-1294	..CRANE - ...ADAPTOR, TEE, PIPE, aluminium, 2 ends M10 female, other end 1/4 in. NPTF female, M6 stud hole	91011887	1	
NI	A 7BD	4730-99-748-2400	...UNION, PIPE, brass, M10 male both ends, 26 mm o/a lg	91065601	1	
NI	A 7BD	4730-99-749-1935	...ADAPTOR, STRAIGHT, PIPE, brass, 1/4 in. NPTF male to M10 female, 22 mm o/a lg	91065648	1	
NI	A 6MT1	4730-99-749-1936	...CONNECTOR, MULTIPLE, brass, 30 mm lg x 13 mm w		1	
NI	A 7BD	4730-99-752-2537	...ADAPTOR, ELBOW, PIPE TO HOSE	91050548	1	
NI	A G1	5310-99-977-1043	...NUT, PLAIN, HEXAGON, ISO metric, steel, 18 mm		1	
NI	A 6MT1	5330-99-534-4406	...GASKET, rubber/steel, 0.466 in. od x 0.062 in. cross sect		1	
NI	A 7BD	5310-99-748-1295	...WASHER, DISHED, steel, 14 mm id x 55 mm od x 4 mm h, 2.5 mm thk material	8965946	1	
NI	A 6MT1	4730-99-749-1938	...SILENCER, AIR EXHAUST, brass/sintered bronze, 1/8 in. BSP male, 24 mm o/a lg		2	
NI	A 6MT1	4730-99-749-1939	...TOGGLE SWITCH, PNEUMATIC, 5 ports 1/8 in. BSP		1	
NI	A G1	4720-99-748-1289	...PIPING, PLASTICS, SEMIRIGID, nylon, black, 5 mm od x 3.3 mm id x 15 mm lg		AR	
NI	A 6MT1	4730-99-827-0616	...SLEEVE, COMPRESSION, PIPE-HOSE FITTING, brass, for 5 mm od tube		2	
NI	A 6MT1	4730-99-827-0615	...INVERTED NUT, UNION PIPE, brass, M10 thd, for 5 mm od tube		2	
NI	A 7BD	4710-99-832-9474	...HOSE, NONMETALLIC, nylon, black, 1/4 in. id x 3/8 in. od	C606	AR	

FIG ITEM	MAN CODE NAVY - N ARMY - A RAF - R	NATO STOCK NUMBER	ITEM NAME AND DESCRIPTION	PART NO./ DRAWING NO.	NO. OFF	ANNOTATIONS
NI	A	6MT9	4730-99-829-7967			
NI	A	6MT9	4730-99-829-7966			
NI	A	7BD	4730-99-833-5528			
			CONTROLS - contd ..AIR PRESSURE SYSTEM - contd ..CRANE - contd ...BARBED INSERT, HOSE COUPLING ...SLEEVE ...NUT, UNION, PIPE	91035374 91035375 91035373	2 2 2	
NI	A	6MT9	4710-99-833-8445	..PIPING, PLASTICS, SEMRIGID, nylon, 1/4 in. od, yellow	C604) AR Bulk supply
NI	A	6MT9	4730-99-749-1000	..INSERT, FLARED, PIPE FITTING, brass, u/w 6 mm od tubing, 15 mm lg	91048662	
NI	A	6MT9	4730-99-747-9633	..SLEEVE, FLARED, PIPE FITTING, brass, 10 mm od x 9.4 mm lg	91048663	
NI	A	6MT9	4730-99-749-1001	..NUT, SLEEVE, steel, hex M12 x 26.5 mm o/a lg	91048664	

216

FIG ITEM	MAN CODE NAVY - N ARMY - A RAF - R	NATO STOCK NUMBER	ITEM NAME AND DESCRIPTION	PART NO./ DRAWING NO.	NO. OFF	ANNOTATIONS	
NI	A	6MT9	2530-99-833-9938	CONTROLS - contd ..AIR PRESSURE SYSTEM FITTINGS - ..VALVE, PRESSURE, PROTECTION	APSA 7162	1	
NI	A	6MT1	5365-99-428-0236	...RING, RETAINING		1	
NI	A	G1	5305-99-148-8779	...SCREW, GRUB		1	
NI	A	6MT9	2530-99-825-8612	...BOCT, DUST AND MOISTURE SEAL, rubber, 30.6 mm od	API7412	1	
NI	A	6MT9	2530-99-835-4323	..PARTS KIT, PRESSURE PROTECTION; ccomprises of 7 items	GA29021	AR	
NI	A	6MT9	2530-99-748-1407	..VALVE, BIASING, 75.20 mm o/a lg, M16 x 1.5 mm male thd one end, M18 x 1.5 mm male thd other end, working pressure 4.35 psi	APSA 10289	1	
NI	A	G1	5310-99-122-6475	..WASHER, FIAT		2)Used to)secure)biasing)valve to)frame
NI	A	G1	5305-99-122-8586	..SCREW, MACHINE		2	
NI	A	G1	5305-99-122-5367	..SCREW, MACHINE		2	
NI	A	7BD	5310-99-137-8017	..NUT, PLAIN, HEXAGON	11040197	4	
NI	A	7BD	2530-99-833-4874	..TANK, PRESSURE, seam welded 257 mm od x 666 mm lg, 2 ports, 1/2 in - 14 NPTF thd, c/w plug	10171T	1	
NI	A	6MT9	2530-99-836-8330	...PLUG, SCREWED	SF16-196	1	
NI	A	6MT9	5310-99-835-8121	...WASHER, FIAT	SF240-4	1	
NI	A	6MT9	2530-99-748-1790	..TANK, PRESSURE, 254 mm id x 604 mm lg, dual compartments, 26.50 litres total capacity, c/w 2 drain plugs	APGA 10136T	1	
NI	A	6MT9	4730-99-820-2273	...ADAPTOR, STRAIGHT, PIPE	AP11062	2	
NI	A	6MT9	5310-99-400-5115	...WASHER, FIAT	SF240-1	2	
NI	A	6MT9	2530-99-820-2272	...PLUG ASSEMBLY, DRAIN	APSA 1842	2	
NI	A	7BD	2540-99-832-8653	..BAND, RETAINING	VM7105192	6)Hanger to)frame
NI	A	7BD	5330-99-822-1462	..FELT, MECHANICAL, PREFORMED	VM7134183	6	
NI	A	G1	5310-99-122-5297	..NUT, PLAIN, HEXAGON, ISO metric, 10 mm		12	
NI	A	7BD	5310-99-818-6156	..NUT, PLAIN, HEXAGON	120369	6)
NI	A	6MT9	4820-99-833-5526	..VALVE, NON-RETURN	DW3413	1	
NI	A	7BD	2530-99-836-6668	..VALVE, CONTROL, SELF RETURNING	91077699	1	
NI	A	6MT9	2530-99-748-1402	...LEVER, CONTROL, HAND, plastics, w/steel insert, self-returning valve	267264	1	
NI	A	6MT1	5330-99-942-8489	...RING, SEALING, TOROIDAL		1	
NI	A	6MT9	5310-99-811-7547	...WASHER, FIAT	236728	1	
NI	A	G1	5310-99-977-1102	..WASHER, LOCK		2	
NI	A	G1	5310-99-100-5663	..NUT, PLAIN, HEXAGON		2	
NI	A	7BD	5999-99-746-6252	..COVER, ELECTRICAL SWITCH, steel, rect shape, 66 mm lg x 30 mm w x 49 mm h, 2 fixing holes	91130915	1	From chassis No. HT100001
NI	A	6MT1	4730-99-748-1835	..NIPPLE, PIPE, brass, M10 x 1 mm, w/60 deg angle cone both ends		1	
NI	A	7BD	4730-99-748-1836	..TEE, PIPE, brass, 3 ends, M10 x 1 mm female	91041716	1	
NI	A	7BD	4730-99-748-1837	..ADAPTOR, ELBCW, PIPE, brass, 1/4 in. x 18 NPTF male thd one end, M10 x 1 mm female thd other end	91042057	1	
NI	A	7BD	4730-99-748-1838	..ADAPTOR, STRAIGHT, PIPE, steel, 1/2 in. x 14 PTF male thd one end, M26 x 1.5 mm male thd other end	91005659	1	
NI	A	7BD	4730-99-748-1754	..ADAPTOR, ELBOW, PIPE, brass	91042056	1	

977

FIG ITEM	MAN CODE NAVY - N ARMY - A RAF - R	NATO STOCK NUMBER	ITEM NAME AND DESCRIPTION	PART NO./ DRAWING NO.	NO. OFF	ANNOTATIONS
			CONTROLS - contd			
			..AIR PRESSURE SYSTEM FITTINGS - contd			
NI	A	7BD	4730-99-748-1840 ..ADAPTOR, ELBOW, PIPE, steel, 1 1/16 in. - 20 UN male thd one end, 3/8 in. NPTF male thd other end	91082213	1	
NI	A	7BD	4730-99-748-1841 ..PIPE, STEEL, seamless, 19 mm od x 0.8 mm wall thk, 306.84 mm developed lg, 2 bends	91077014	1	
NI	A	7BD	4730-99-748-1842 ..SLEEVE, COMPRESSION, PIPE-HOSE FITTING, brass, 0.756 in. id x 0.876 in. od x 0.50 in. lg	8841655	1	
NI	A	6MT9	4730-99-748-1805 ..ADAPTOR, STRAIGHT, PIPE, brass, 1/8 in. BSPT male one end, M10 x 1 mm female 2nd end	36053003	1	
NI	A	7BD	4730-99-748-1844 ..CROSS, PIPE, brass, 4 ends equal, M10 x 1 mm female thds	91041715	1	
NI	A	7BD	4730-99-748-1847 ..ADAPTOR, BUSHING, steel, hex M22 x 1.5 male thd one end, 3/8 in. NPSI thd other end	91049728	4)Front &)rear)coupling
NI	A	7BD	4730-99-748-1848 ..REDUCER, PIPE, steel, 1/2 in. NPTF male thd one end, 3/8 in. NPTF male thd other end	11499236	3	
NI	A	7BD	4730-99-748-2334 ..ADAPTOR, ELBOW, PIPE, steel, M22 x 1.5 mm and 3/8 in. NPTF male one end, 3/8 in. NPTF male other end	11499535	2	
NI	A	7BD	4730-99-748-2335 ..ADAPTOR, STRAIGHT, PIPE, steel, 3/8 in. NPTF male thd one end, M16 x 1.5 mm male thd other end	11499063	1	
NI	A	7BD	4730-99-748-2336 ..ADAPTOR, ELBOW, PIPE, steel, 1 in. - 18 UNS and 1/2 in. PTF male thd one end, M18 x 1.5 mm male thd other end	91026118	2	
NI	A	7BD	4730-99-748-0273 ..NUT, PLAIN, HEXAGON, steel, 1 in. - 18 UNS	91026562	2	
NI	A	G1	5310-12-146-8425 ..NUT, PLAIN, HEXAGON		2	
NI	A	7BD	5310-99-137-8017 ..NUT, PLAIN, HEXAGON, SI metric, steel, M8 - 1.25 mm thd	11040197	2	
NI	A	G1	5310-99-122-5297 ..NUT, PLAIN, HEXAGON		11	
NI	A	G1	5310-99-122-5294 ..NUT, PLAIN, HEXAGON		1	
NI	A	G1	5310-99-977-1043 ..NUT, PLAIN, HEXAGON		8	
NI	A	G1	5310-12-156-4985 ..NUT, PLAIN, HEXAGON		3	
NI	A	G1	5305-99-630-0093 ..SCREW, MACHINE		2	
NI	A	G1	5305-99-122-5366 ..SCREW, MACHINE		AR	
NI	A	G1	5310-12-146-8425 ..NUT, PLAIN, HEXAGON		2	
NI	A	G1	5305-99-122-5367 ..SCREW, MACHINE		2	
NI	A	G1	5305-99-122-4911 ..SCREW, MACHINE		2	
NI	A		..WASHER		3	
NI	A	G1	5310-99-208-6457 ..WASHER, LOCK		3	
NI	A	G1	5310-99-122-6475 ..WASHER, FLAT		2	
NI	A		..WASHER, LOCK		2	
NI	A	G1	5310-99-803-1680 ..WASHER, LOCK		4	
NI	A	G1	5306-99-122-5261 ..BOLT, MACHINE		2	
NI	A	G1	5305-99-122-4910 ..SCREW, MACHINE		2	
NI	A	G1	5307-99-759-2080 ..STUD, PLAIN		4	
NI	A	7BD	5340-99-748-2365 ..STRAP, LINE, SUPPORTING, plastic, 7 mm w x 100 mm lg	9275061	AR	
NI	A	7BD	5340-99-748-2367 ..STRAP, LINE, SUPPORTING, nylon, 7.6 mm w x 700 mm lg	91048416	4	
NI	A	G1	5310-99-122-6476 ..WASHER, FLAT	11010024	1	

878

ARMY EQUIPMENT
SUPPORT PUBLICATIONS

2320-I-701-711

FIG ITEM	MAN CODE NAVY - N ARMY - A RAF - R	NATO STOCK NUMBER	ITEM NAME AND DESCRIPTION	PART NO./ DRAWING NO.	NO. OFF	ANNOTATIONS
			CONTROLS - contd			
			..AIR PRESSURE SYSTEM FITTINGS - contd			
NI	A	G1	5310-99-203-6405 ..WASHER, LOCK		3	
NI	A	7BD	4730-99-748-2373 ..ADAPTOR, STRAIGHT, PIPE, steel, M22 x 1.5 mm thd one end, 3/8 in. - 18 NPTF thd other end	11499251	1	
NI	A	7BD	4730-99-839-6392 ..ADAPTOR, TEE, PIPE, steel, M10 x 1 mm one end, M16 x 1.5 mm thd second end, 3/8 in. NPTF thd 3rd end	11499489	1	
NI	A	7BD	4730-99-839-3692 ..ADAPTOR, ELBOW, PIPE, steel	11499193	1	
NI	A	7BD	4730-99-748-2383 ..ADAPTOR, ELBOW, PIPE, steel	11499547	1	
NI	A	7BD	4730-99-748-2386 ..ADAPTOR, TEE, PIPE, steel, 3/8 in. - 18 NPTF one end, M18 - 1.5 mm thd other ends	11499483	1	
NI	A	7BD	4730-99-748-2391 ..ADAPTOR, STRAIGHT, PIPE, steel, int, M10 x 1 mm thd one end, 3/8 in. - 18 NPTF other end	11499338	1	
NI	A	7BD	4730-99-748-2392 ..ADAPTOR, STRAIGHT, PIPE TO HOSE, steel, 1/4 in. - 18 thd one end, 11 mm od other end	11499203	1	
NI	A	7BD	4730-99-748-2396 ..ADAPTOR, TEE, PIPE, steel, 1/4 in. - 18 NPTF thd first end, 1/4 in. p 18 NPTF int thd 2nd end, M16 x 1.5 mm thd third end	11499551	1	
NI	A	7BD	4730-99-748-2400 ..UNION, PIPE, brass, M10 - 1 mm int thd each end	91065601	1	
NI	A	7BD	4730-99-748-1294 ..ADAPTOR, TEE, PIPE, alum, M10 x 1 mm female thd, two ends, 1/4 in. NPTF female thd other end, stud hole M6 x 1 mm	91011887	1	
NI	A	7BD	4730-99-748-1836 ..TEE, PIPE, brass, 3 ends, M10 x 1 mm female	91041716	1	
NI	A	7BD	4730-99-748-2406 ..ELBOW, PIPE, steel, M12 x 1 mm thd	11499584	5	
NI	A	7BD	4730-99-748-2407 ..UNION, PIPE, steel, M10 x 1 mm thd, int thd each end	11499097	1	
NI	A	7BD	4730-99-748-2408 ..ADAPTOR, ELBOW, PIPE TO HOSE, steel, M18 x 1.5 mm thd one end, M18 - 1.5 mm thd other end with hose connection	11499266	1	
NI	A	7BD	4730-99-748-2409 ..ADAPTOR, ELBOW, PIPE TO HOSE, steel, M18 x 1.5 mm thd one end, M18 - 1.5 mm thd other end, w/ hose connection	11499492	1	
NI	A	7BD	4730-99-748-2410 ..UNION, PIPE, steel, M12 x 1 mm thd each end	11499333	} AR	
NI	A	7BD	4730-99-748-2411 ..UNION, PIPE, steel, M16 x 1.5 mm thd each end	11499075		
NI	A	6MT9	4730-99-825-3597 ..ADAPTOR, ELBOW, PIPE	2713009	1	
NI	A	7BD	4730-99-748-6628 ..ADAPTOR, ELBOW, PIPE, steel, M18 x 1.5 mm thd one end, 3/8 in. - 18 NPTF thd other end	11499073	1	
NI	A	7BD	4730-99-748-6627 ..ADAPTOR, ELBOW, PIPE, steel, M12 - 1 mm thd one end, 1/8 in. - 27 NPTF thd other end	11499444	5	
NI	A	7BD	2530-99-748-2424 ..PIPE, STEEL, 15 mm od x 262 mm lg	91079595	1	
NI	A	7BD	4730-99-839-3697 ..UNION, PIPE, steel, M22 x 1.5 mm thd each end	11075221	2	
NI	A	7BD	4730-99-748-2425 ..SLEEVE, COMPRESSION, PIPE HOSE FITTING, brass; u/w 15 mm od pipe	11054309	2	
NI	A		..NUT		2	

679

FIG ITEM	MAN CODE NAVY - N ARMY - A RAF - R	NATO STOCK NUMBER	ITEM NAME AND DESCRIPTION	PART NO./ DRAWING NO.	NO. OFF	ANNOTATIONS
			CONTROLS - contd ..AIR PRESSURE SYSTEM FITTINGS - contd			
NI	A	7BD	2530-99-748-2427	..PIPE, STEEL, 15 mm od x 657 mm lg	91076914	1
NI	A	7BD	5340-99-749-1928	..STRAP, LINE, SUPPORTING, tie, nylon	91065791	1
NI	A	7BD	4730-99-748-1292	..STRAP, RETAINING, nylon, double	2712549	2
NI	A	7BD	4730-99-747-8591	..ADAPTOR, TEE, PIPE, steel, 1/4 in. NPTF female thd one end, 1/2 in. NPTF male thd other ends	11499559	1
NI	A	7BD	2530-99-839-3778	..DRAIN VALVE, ring-pull type	91079781	1
NI	A	7BD	4730-99-797-3729	..ADAPTOR, ELBOW, PIPE, steel, 80 mm lg x M12 male thd x 1/4 in. NPTF female thd	11499716	1
NI	A	7BD	4730-99-797-3720	..ADAPTOR, TEE, PIPE, steel, 69 mm lg x M12 male thd x 1/4 in. NPTF female thd	11499499	1
NI	A	7BD	4730-99-748-1294	..ADAPTOR, TEE, PIPE, aluminium, M10 female 2 ends x 1/4 in. NPTF female another end	91011887	1
NI	A	7BD	4730-99-781-5358	..ADAPTOR, STRAIGHT, PIPE, steel, 1/8 in. NPTF male one end x 1/4 in. NPTF female other end x 1.062 in. o/a lg	444017	2
NI	A	7BD	4730-99-748-2405	..ADAPTOR, STRAIGHT, PIPE, steel, M12 thd one end x 1/4 in. NPTF thd another end x 38 mm lg	11499404	2
NI	A	7BD	4730-99-748-2394	..UNION, PIPE, steel, 1/4 in. NPTF both ends x 36 mm o/a lg	11499188	1
NI	A	6MT9	4730-99-825-7591	..ADAPTOR, ELBOW, PIPE, brass, 7/16 in. NS one end x 1/4 in. NPTF other end	2686015	2

ARMY EQUIPMENT
SUPPORT PUBLICATIONS

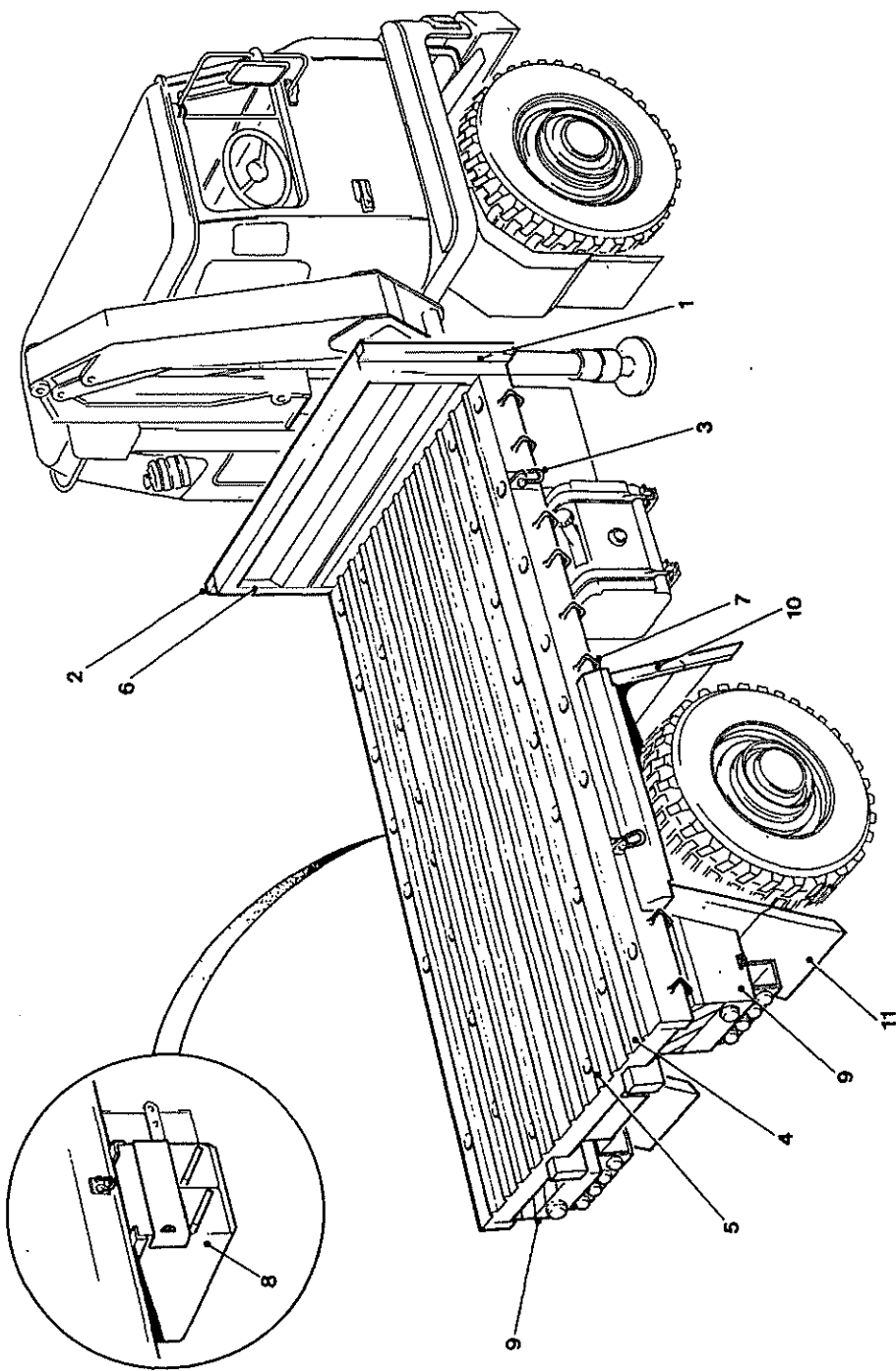
2320-L-701-711

1376

CHAPTER 2-7-1
BODY-FLAT PLATFORM

Issued Nov. 1983

287



C46/146

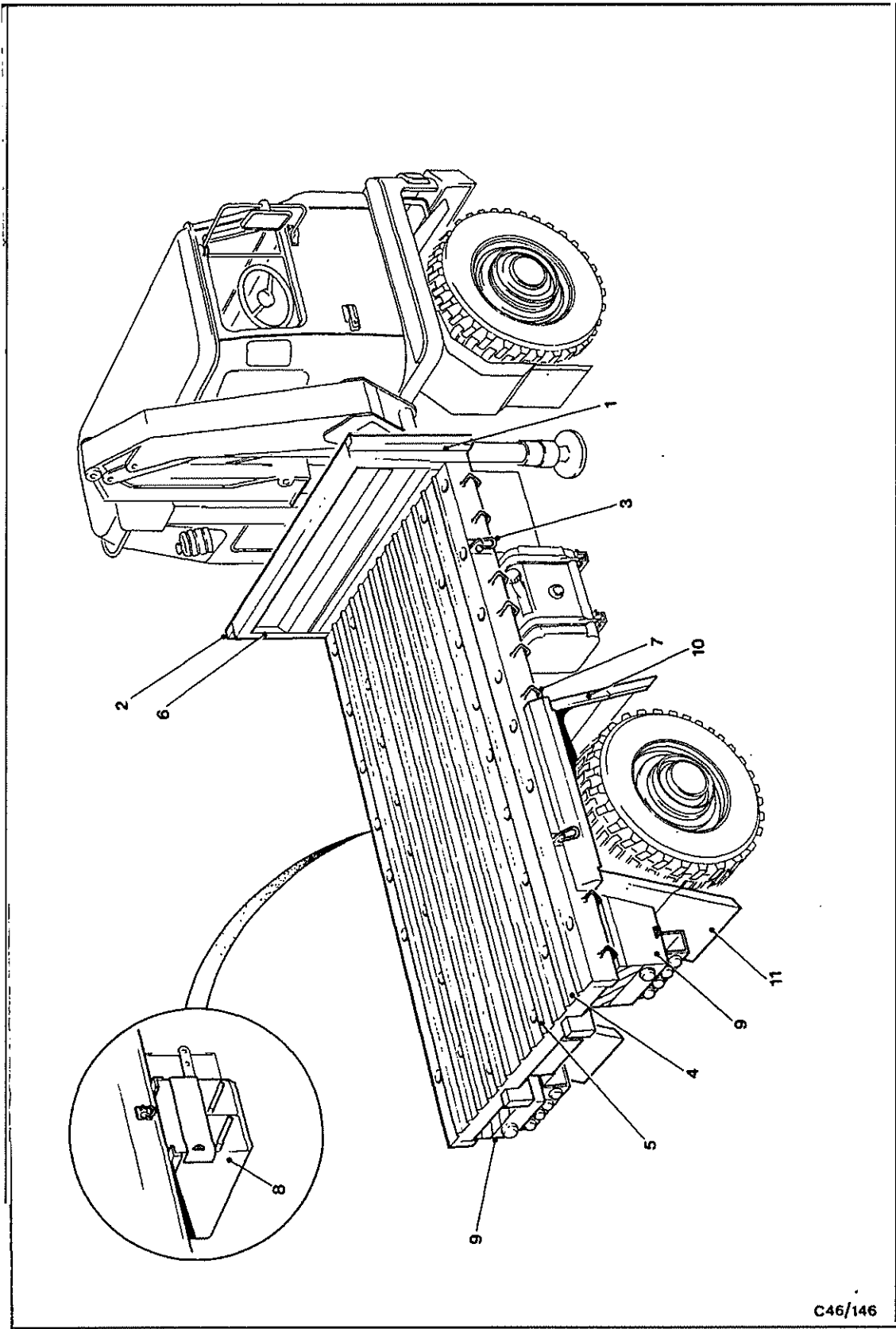
Chap 2-7-1

Fig 1 Body

FIG ITEM	MAN CODE NAVY - N ARMY - A RAF - R	NATO STOCK NUMBER	ITEM NAME AND DESCRIPTION	PART NO./ DRAWING NO.	NO. OFF	ANNOTATIONS
Fig 1			BODY -			
1	A	6MT13	..FIAT PLATFORM BODY -	FV846105	1	Body lifting shackle
2	A	6MT13	..UNDERFRAME ASSEMBLY -	FV846104	1	
3	A	E3	...CORNER PILLAR, FRONT: rh ...CORNER PILLAR, FRONT: lh ...SHACKLE, steel, galvanised, 2-3/4 in. inside lg, 1-1/8 in. between eyes		AR	
4		NP	..FLOOR ASSEMBLY -			} Cut to length
5	A	6MT13	...FLOOR BOARD, hardwood	A205	1	
NI	A	G1	2510-99-820-4488 ...SKID STRIP, steel, 1-3/32 in.w x 18 SWG		AR	
NI	A	G1	5305-99-135-0434 ...SCREW, MACHINE, ISO metric, steel, pan hd, slot drive, 5 mm x 35 mm lg		2	
NI	A	G1	5305-99-136-0437 ...SCREW, MACHINE		2	
NI	A	G1	5310-99-122-5294 ...NUT, PLAIN, HEXAGON, ISO metric, steel, 5 mm		AR	
NI	A	G1	5310-99-138-9226 ...WASHER, LOCK, steel, split helical ring, 5 mm id x 8.5 mm od x 1.5 mm thk		AR	
NI	A	6MT13	5310-99-749-9824 ...WASHER, FLAT, steel, 5 mm id x 32 mm od x 1.5 mm thk	FV846197	2	
NI	A	G1	5305-99-977-2605 ...SCREW, TAPPING, THREAD FORMING, steel, 20 tpi, 1-1/4 in. lg		12	
NI	A	6MT13	2540-99-812-9342 ...SHACKLE ASSEMBLY, steel 2-1/4 in. lg	FV702033	1	
NI	A	G1	5310-99-120-9084 ...WASHER, FLAT, 1 in. id x 2-1/8 in. od x 5/32 in. thk		AR	
NI	A	G1	5310-99-137-7883 ...PIN, SPRING, steel, 3/8 in.dia x 1-3/4 in. lg		1	
6		NP	..BULKHEAD ASSEMBLY -			} Floor shackle
7	A	6MT13	...BULKHEAD	FV846077	1	
			...ROPE HOOK, steel, 34 mm lg 1st leg, 20 mm lg 2nd leg	FV846120	3	
8	A	6MT13	2510-99-749-9825 ...MOUNTINGS -			
NI	A	6MT13	...JERRICAN CARRIER, steel, 18-13/16 in. lg x 14-9/16 in.w x 14-3/4 in. h	FV724938	1	
NI	A	6MT13	2510-99-749-9826 ...LOCKER, STOWAGE, VEHICULAR: tool stowage	FV812248	1	
9	A	6MT13	2510-99-749-9827 ...STOWAGE BOX AND MUDGUARD: rh ...LOCKER, STOWAGE, VEHICULAR; c/w rear mudguard panel, rh	FV846080	1	
10	A	6MT13	2510-99-749-9829 ...MUDGUARD, VEHICULAR, rear, front panel	FV846196	1	
NI	A	G1	5305-99-122-5360 ...SCREW, MACHINE, ISO metric, steel, hex hd, 6 mm x 16 mm lg		16	
NI	A	G1	5310-99-122-5295 ...NUT, PLAIN, HEXAGON, ISO metric, steel, 6 mm		16	
NI	A	G1	5310-99-137-9232 ...WASHER, LOCK, steel, split helical ring, 6 mm id		16	
NI	A	G1	5310-99-122-8065 ...WASHER, FLAT, steel, 6 mm id x 12.5 mm od x 1.5 mm thk		16	
NI	A	6MT13	2510-99-749-9828 ...STOWAGE BOX AND MUDGUARD: lh ...LOCKER, STOWAGE, VEHICULAR; c/w rear mudguard panel, lh	FV846081	1	
NI	A	6MT13	2510-99-755-4058 ...MUDGUARD, VEHICULAR, rear, front panel	FV846195	1	
NI	A	G1	5305-99-122-5360 ...SCREW, MACHINE, ISO metric, steel, hex hd, 6 mm x 16 mm lg		16	

753

284



C46/146

Chap 2-7-1

Fig 1 Body

FIG ITEM	MAN CODE NAVY - N ARMY - A RAF - R	NATO STOCK NUMBER	ITEM NAME AND DESCRIPTION	PART NO./ DRAWING NO.	NO. OFF	ANNOTATIONS	
Fig 1			BODY - contd .FLAT PLATFORM BODY - contd ..MOUNTINGS - contd ...STOWAGE BOX AND MUDGUARD: lh - contd				
NI	A G1	5310-99-137-9332WASHER, LOCK, steel, split helical ring, 6 mm id	FV846198	16		
NI	A 6MT13	5310-99-749-9833WASHER, FLAT, steel, 13 mm id x 30 mm sq x 6 mm thk		AR		
NI	A G1	5305-99-122-5366SCREW, MACHINE, ISO metric, steel, hex hd, 8 mm x 20 mm lg		6		
NI	A G1	5305-99-122-5367SCREW, MACHINE, ISO metric, steel, hex hd, 8 mm x 25 mm lg		8		
NI	A G1	5306-99-122-2791BOLT, MACHINE, ISO metric, steel, hex hd, 12 mm x 65 mm lg		AR		
NI	A G1	5310-99-122-5296NUT, PLAIN, HEXAGON, ISO metric, steel, 8 mm		14		
NI	A G1	5310-99-977-4101NUT, SELF-LOCKING, HEXAGON, ISO metric, steel, 12 mm		AR		
NI	A G1	5310-99-138-9227WASHER, LOCK, steel, split helical ring, 8 mm id		14		
11	A 6MT13	2510-99-749-9830	...MUDFLAPS AND FITTINGS -MUDFLAP, straight, rubber type, 518 mm lg x 363 mm w		FV993653)	
NI	A 6MT13	2510-99-749-9831REINFORCING STRIP, MUDFLAT, steel, 486 mm lg		FV846158)	AR
NI	A 6MT13	5306-99-749-9832BOLT, SHOULDERED, ISO metric, steel, hex hd, 6 mm thd, 8 mm shoulder, 29 mm o/a lg	FV993656)		
NI	A G1	5310-99-122-8065WASHER, FLAT, steel, 6 mm id x 12.5 mm od x 1.5 mm thk		AR		
NI	A G1	5310-99-122-6475WASHER, FLAT, steel, 8 mm id x 17 mm od x 1.5 mm thk		2		
NI	A G1	5310-99-137-7807NUT, SELF-LOCKING, ISO metric, steel, 6 mm)		
NI	A G1	5305-99-122-4911SCREW, MACHINE, ISO metric, steel, hex hd, 10 mm x 30 mm lg)		
NI	A G1	5310-99-122-6476WASHER, FLAT, steel, 10 mm id x 21 mm od x 2 mm thk)		
NI	A G1	5310-99-122-5297NUT, PLAIN, HEXAGON, ISO metric, steel, 10 mm		AR		
NI	A G1	5310-99-138-9228WASHER, LOCK, steel, split helical ring, 10 mm id)		
NI	A G1	5305-99-122-5356SCREW, MACHINE, ISO metric, steel, hex hd, 5 mm x 16 mm lg)		
NI	A G1	5310-99-122-5294NUT, PLAIN, HEXAGON, ISO metric, steel, 5 mm)		
NI	A G1	5310-99-138-9226WASHER, LOCK, steel, split helical ring, 5 mm id)		
NI	A G1	5310-99-122-5296NUT, PLAIN, HEXAGON, ISO metric, steel, 8 mm		2		
NI	A G1	5310-99-138-9227WASHER, LOCK, steel, split helical ring, 8 mm		2		
NI	A G1	5306-99-138-1544BOLT, SQUARE NECK, ISO metric, steel, 6 mm x 30 mm lg)		
NI	A G1	5310-99-122-5295NUT, PLAIN HEXAGON, ISO metric, steel, 6 mm		AR		
NI	A G1	5310-99-137-9232WASHER, LOCK, steel, split helical ring, 6 mm id)		
NI	A G1	5305-99-135-0273SCREW, MACHINE, ISO metric, steel, flat csk hd, 8 mm x 40 mm lg		2		

285

|

286

ARMY EQUIPMENT
SUPPORT PUBLICATIONS

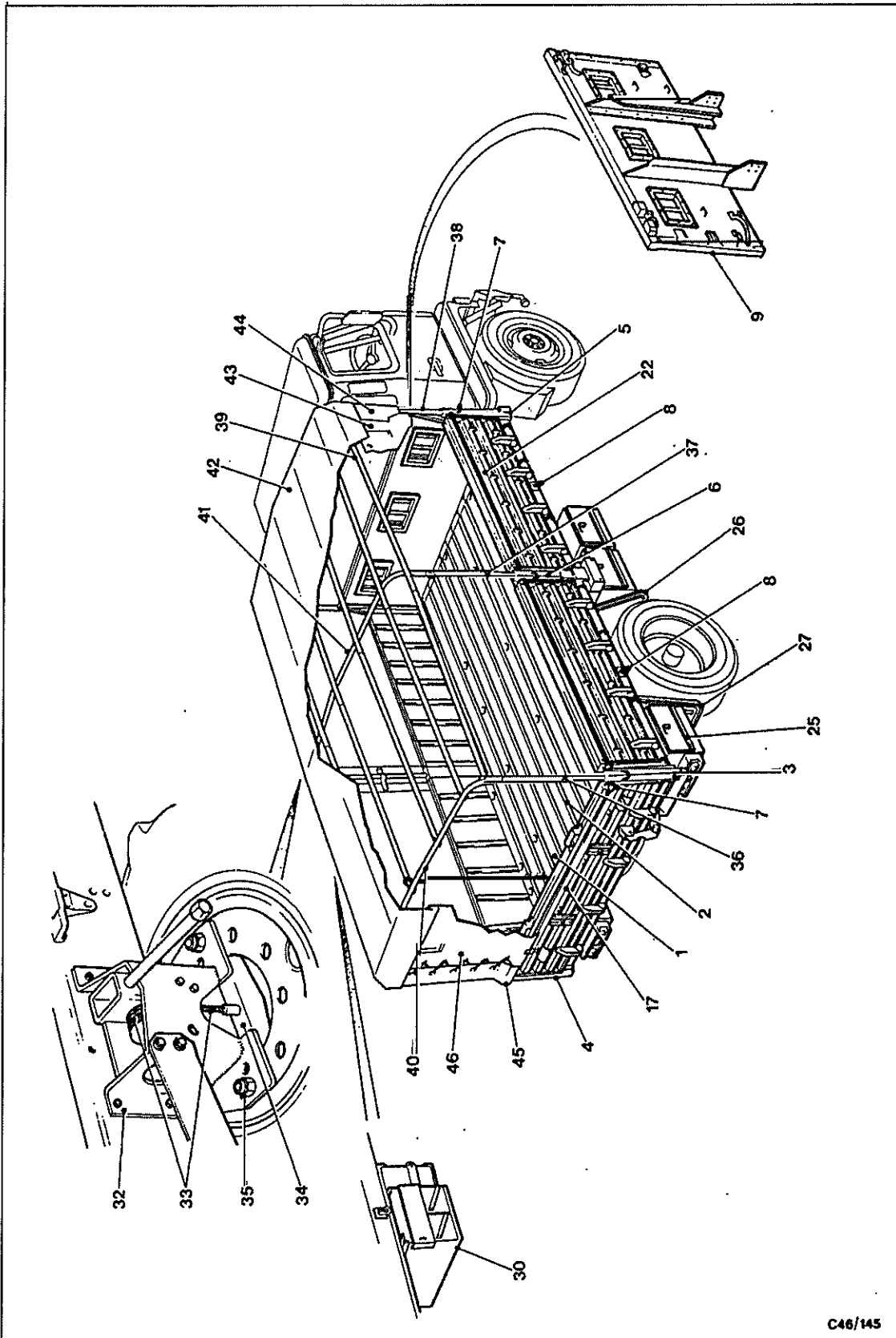
2320-L-701-711

2 37

CHAPTER 2-7-2
BODY-CARGO

Issued Nov. 1983

288



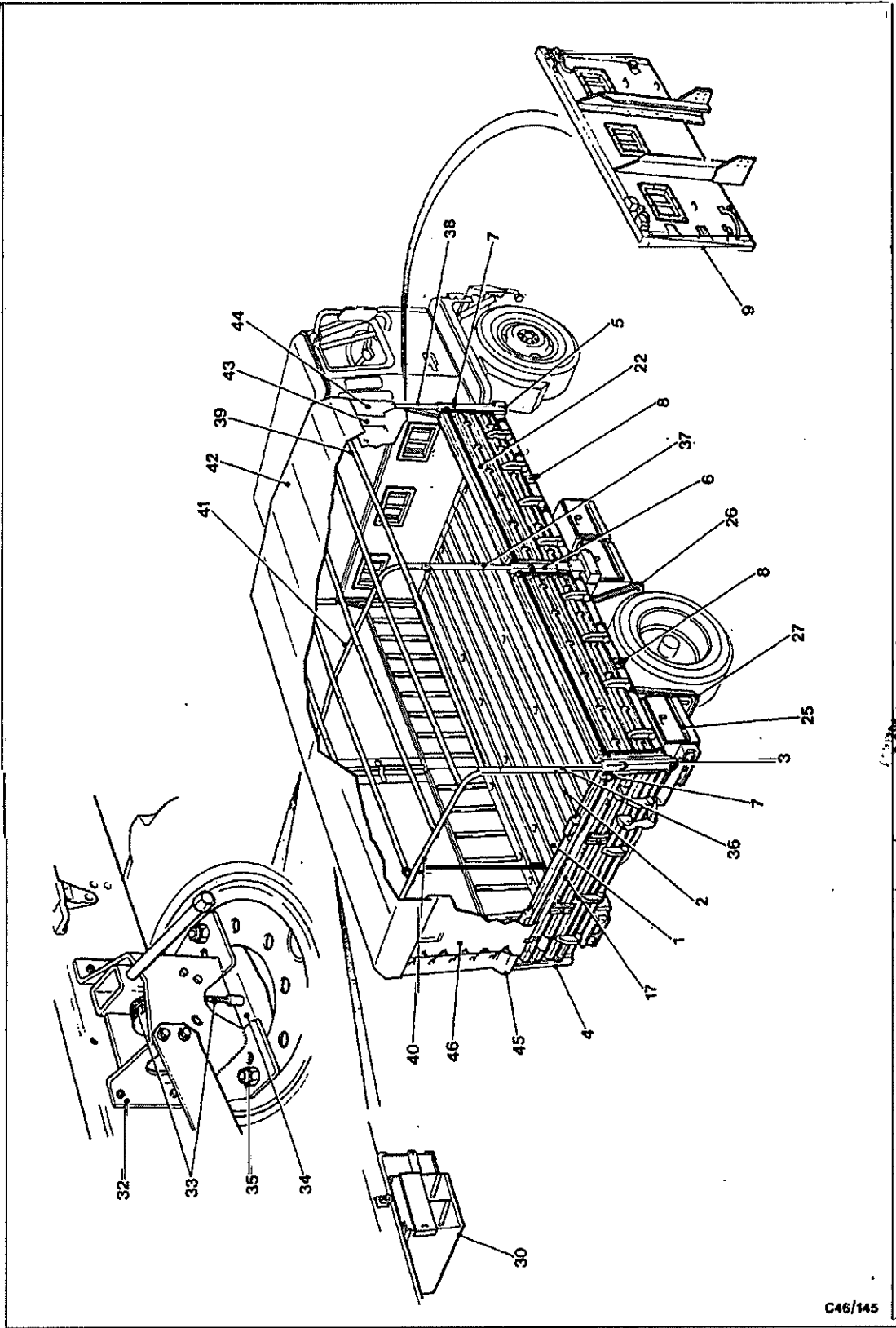
Chap 2-7-2

Fig 1 Body

C48/145

FIG ITEM	MAN CODE NAVY - N ARMY - A RAF - R	NATO STOCK NUMBER	ITEM NAME AND DESCRIPTION	PART NO./ DRAWING NO.	NO. OFF	ANNOTATIONS
Fig 1			BODY - contd			
1		NP	..CARGO BODY -			
NI		NP	...FLOOR ASSEMBLY -			
NI		NP	...FLOOR BOARD, hardwood			
2	A	6MT13	2510-99-820-4488	FV993696 FV993697	AR 1 1	Cut to length
NI		NP	...CORNER ANGLE BRACKET: lh			
NI	A	G1	5305-99-941-7491	A205 FV993687	AR 1	
NI	A	G1	5305-99-135-0434)	
NI	A	G1	5305-99-135-0433)	
NI	A	G1	5305-99-135-0433)	
NI	A	6MT13	5310-99-749-9824)	
NI	A	G1	5310-99-138-9226	FV846197)	
NI	A	G1	5310-99-122-5294)	
3	A	6MT13	2510-99-755-4051	FV993694	1	
4	A	6MT13	2510-99-755-4053	FV993693	1	
NI	A	6MT13	2510-99-757-6975	FV846010	1	
5	A	6MT13	2510-99-755-4055	FV846011	1	
6	A	6MT13	2510-99-833-6929	FV846007	2	
7	A	6MT13	4010-99-755-4052)	
NI	A	6MT13	5315-99-808-7430	FV846111)	
NI	A	6MT1	4935-99-620-4051	FV159858)	
NI	A	6MT13	2510-99-835-4458	FV777842 FV877216)	
NI	A	E3	4030-99-201-9239)	
8	A	6MT13	2540-99-812-9342)	
NI	A	G1	5310-99-941-6747	FV702033)	
NI	A	G1	5315-99-137-7883)	
NI		NP	...RETAINER, SPRING CLIP; dropside and tailboard hinges	FV993658)	
NI	A	6MT13	2510-99-755-4050)	
NI	A	G1	5305-99-122-4913	FV846151	2	
NI	A	G1	5310-99-138-9229		8	
NI	A	G1	5310-99-122-5298		8	
NI	A	G1	5305-99-122-5366		8	
NI	A	G1	5310-99-138-9227		14	
NI	A	G1	5310-99-122-5296		14	
NI	A	6MT13	2510-99-808-5892	FV192486	1	

6286



Chap 2-7-2

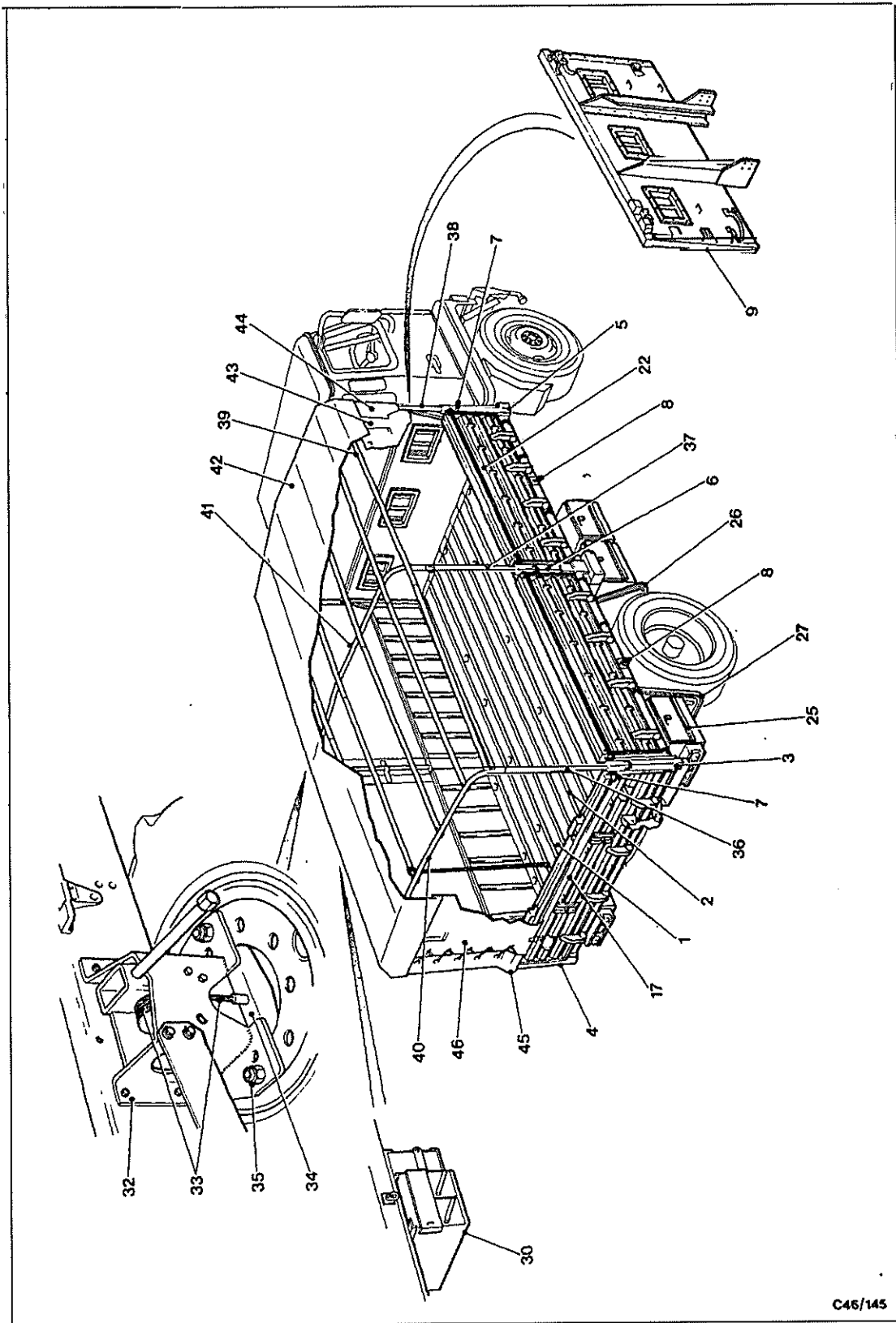
Fig 1 Body

C46/145

2.90

FIG ITEM	MAN CODE NAVY - N ARMY - A RAF - R	NATO STOCK NUMBER	ITEM NAME AND DESCRIPTION	PART NO./ DRAWING NO.	NO. OFF	ANNOTATIONS
Fig 1			BODY - contd ..CARGO BODY - contd ..BULKHEAD FITTINGS - contd			
NI	A	6MT1	5310-99-825-5878 ...PLATE, WASHER, PLAIN, steel, 2 in. lg x 1 in. w x 1/8 in.thk, 2 holes 7/32 in. dia		2	
NI	A	6MT13	2590-99-808-5893 ...RACK, STOWAGE, VEHICULAR:	FV192488	1	Shovel
NI	A	6MT13	2540-99-808-7888 ...GUARD-RAIL	FV192489	1	
NI	A	6MT13	2510-99-808-5895 ...RACK, STOWAGE, VEHICULAR:	FV192491	1	Crowbar
NI	A	6MT13	2590-99-808-5896 ...RACK, STOWAGE, VEHICULAR:	FV192493	1	Pick-axle
NI	A	M3	5340-99-136-2490 ...STRAP, WEBBING, cotton, 12 in. lg x 1 in. w, buckle one end clip other end		2	
NI	A	M3	5340-99-136-2489 ...STRAP, WEBBING, cotton, 9 in.lg x 1 in. w, buckle one end clip other end		1	
NI	A	G1	5305-99-122-5362 ...SCREW, MACHINE, ISO metric, steel, hex hd, 6 mm x 25 mm lg		2	
NI	A	G1	5305-99-122-5361 ...SCREW, MACHINE, ISO metric, steel, hex hd, 6 mm x 20 mm lg		6	
NI	A	G1	5305-99-122-5291 ...SCREW, MACHINE, ISO metric, steel, flat csk hd, slot drive, 6 mm x 20 mm lg		2	
NI	A	G1	5305-99-122-5286 ...SCREW, MACHINE, ISO metric, steel, flat csk hd, slot drive, 5 mm x 20 mm lg		6	
NI	A	G1	5310-99-122-5295 ...NUT, PLAIN, HEXAGON, ISO metric, steel, 6 mm		10	
NI	A	G1	5310-99-122-5294 ...NUT, PLAIN, HEXAGON, ISO metric, steel, 5 mm		6	
NI	A	G1	5310-99-137-9232 ...WASHER, LOCK, steel, split helical ring, 6 mm id		10	
NI	A	G1	5310-99-138-9226 ...WASHER, LOCK, steel, split helical ring, 5 mm id		6	
17	A	6MT13	2510-99-833-6928 ..TAILBOARD ASSEMBLY - ...TAILBOARD, VEHICLE BODY; welded assy, 2302 mm lg x 680 mm x 67 mm thk	FV846006	1	
NI	A	6MT13	2510-99-755-4056 ...COTTER PIN; c/w pin, ring and chain	FV846118	2	
NI	A	6MT13	2510-99-755-4057 ...ROPE HOOK, steel, 34 mm lg 1st leg, 20 mm lg 2nd leg	FV846120	4	
NI	A	6MT13	5340-99-829-5056 ...BUMPER, RUBBER, 2.8 in. lg x 1.5 in. w x 0.75 in. h, 2 mtg holes	FV831279	AR	
NI	A	G1	5305-99-135-0425 ...SCREW, MACHINE, ISO metric, steel, pan hd, slot drive, 4 mm x 20 mm lg		4	
NI	A	G1	5310-99-138-9225 ...WASHER, LOCK, steel, split helical ring, 4 mm id		4	
NI	A	G1	5310-99-135-0755 ...NUT, PLAIN, HEXAGON, ISO metric, steel, 4 mm		14	
NI	A	6MT13	2510-99-808-6750 ...HOOK	FV333632	2	
NI	A	6MT13	2510-99-762-8225 ..HOOK ASSEMBLY, HINGE	FV993657	4	Also u/w
NI	A	7ED	2510-99-761-1140 ..RETAINER, HINGE	FV1025609	4	dropside assy
22	A	6MT13	2510-99-833-6927 ..DROPSIDE ASSEMBLY - ...DROPSIDE, VEHICULAR BODY, 2210 mm o/a lg x 640 mm h x 67 mm o/a thk	FV846005	4	
NI	A	6MT13	2510-99-755-4056 ...COTTER PIN; c/w pin, ring and chain	FV846118	4	
NI	A	6MT13	2510-99-755-4057 ...ROPE, HOOK, steel, 34 mm lg 1st leg, 20 mm lg 2nd leg	FV846120	14	

291



Chap 2-7-2

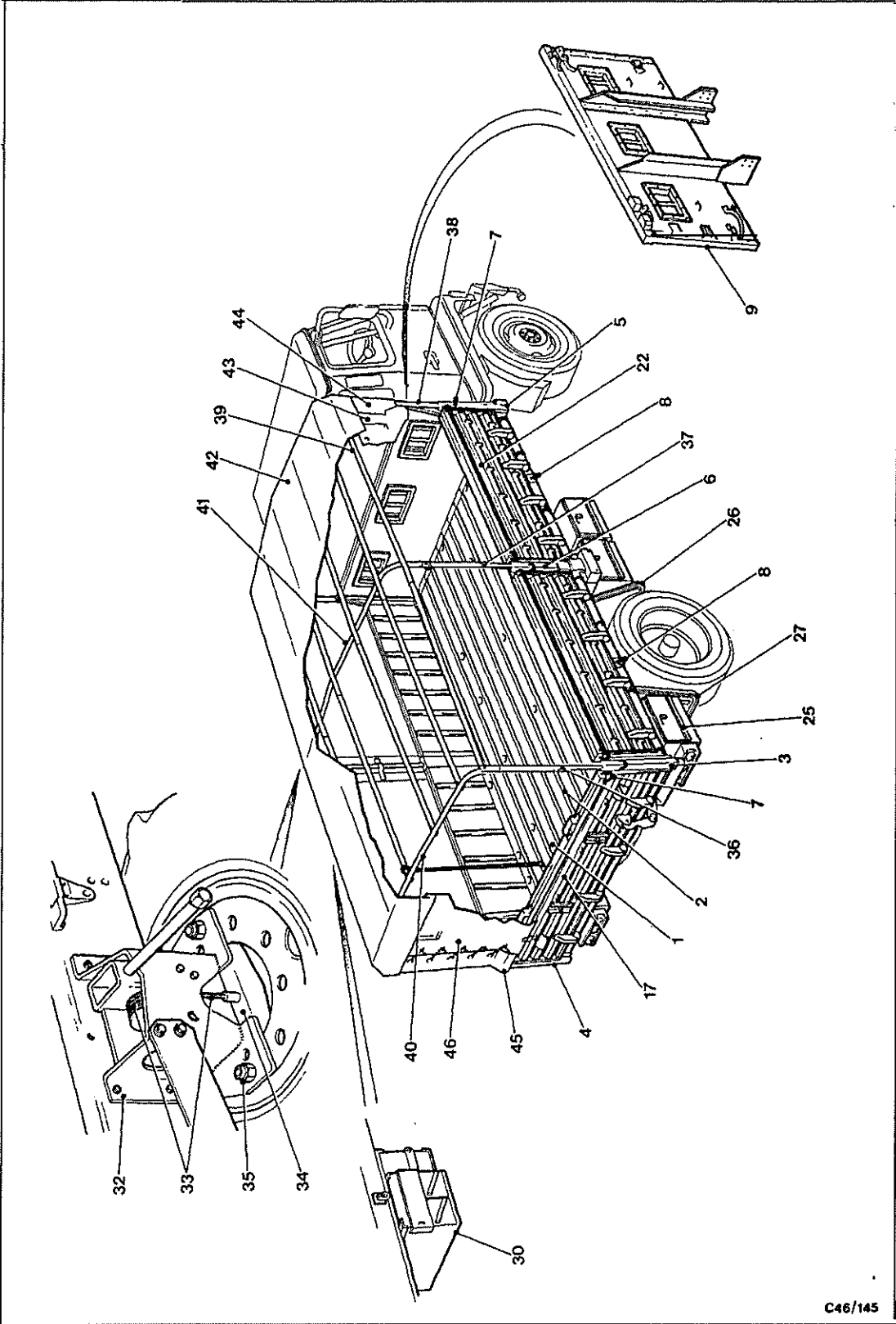
Fig 1 Body

C46/145

269

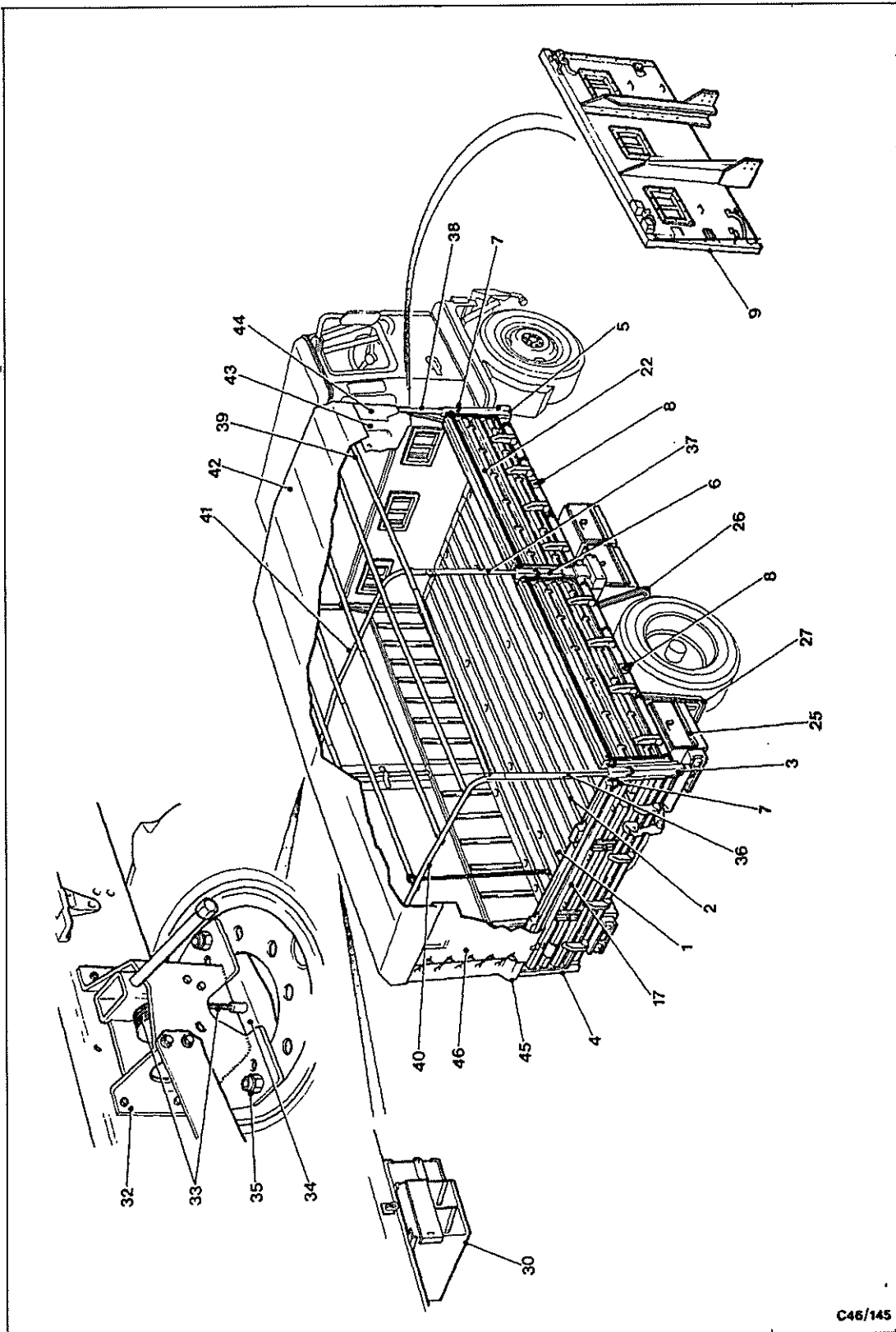
FIG ITEM	MAN CODE NAVY - N ARMY - A RAF - R	NATO STOCK NUMBER	ITEM NAME AND DESCRIPTION	PART NO./ DRAWING NO.	NO. OFF	ANNOTATIONS
Fig 1			BODY - contd .CARGO BODY - contd ..MOUNTINGS - ...STOWAGE BOX AND MUDGUARD: rh			
25	A	6MT13	2510-99-749-9827LOCKER, STOWAGE, VEHICULAR; c/w rear mudguard panel	FV846080	1
26	A	6MT13	2510-99-749-9829MUDGUARD, VEHICULAR, rear, front panel	FV846196	1
NI	A	G1	5305-99-122-5360SCREW, MACHINE, ISO metric, steel, hex hd, 6 mm x 16 mm lg		16
NI	A	G1	5310-99-122-5295NUT, PLAIN, HEXAGON, ISO metric, steel, 6 mm		16
NI	A	G1	5310-99-137-9232WASHER, LOCK, steel, split helical ring, 6 mm id		16
NI	A	G1	5310-99-139-0070WASHER, FLAT, steel, 6 mm id x 14 mm od x 1.6 mm thk		16
NI	A	G1	5305-99-122-4910SCREW, MACHINE, ISO metric, steel, hex hd, 10 mm x 25 mm lg		7
NI	A	6MT13	2510-99-749-9828	...STOWAGE BOX AND MUDGUARD: lhLOCKER, STOWAGE, VEHICULAR; c/w rear mudguard panel	FV846081	1
NI	A	6MT13	2510-99-755-4058MUDGUARD, VEHICULAR, rear, front panel	FV846195	1
NI	A	6MT13	2510-99-755-4059BUFFER SUPPORT ASSEMBLY	FV846161	2
NI	A	6MT13	5310-99-749-9833WASHER, FLAT, steel, 13 mm id x 30 mm sq x 6 mm thk	FV846198	AR
NI	A	6MT13	5340-99-817-6867BUMPER, RUBBER, 4-7/8 in. lg x 1-11/16 in. w x 1-5/8 in. h, 2 mtg holes	FV689466-27	4
NI	A	G1	5306-99-122-2786BOLT, MACHINE, ISO metric, steel, hex hd, 12 mm x 40 mm lg		4
NI	A	G1	5305-99-122-5367SCREW, MACHINE, ISO metric, steel, hex hd, 8 mm x 25 mm lg		12
NI	A	G1	5305-99-122-5368SCREW, MACHINE, ISO metric, steel, hex hd, 8 mm x 30 mm lg		4
NI	A	G1	5305-99-122-5369SCREW, MACHINE, ISO metric, steel, hex hd, 8 mm x 40 mm lg		8
NI	A	G1	5306-99-122-2791BOLT, MACHINE, ISO metric, steel, hex hd, 12 mm x 65 mm lg)
NI	A	G1	5310-99-122-5296NUT, PLAIN, HEXAGON, ISO metric, steel, 8 mm)
NI	A	G1	5310-99-977-4101NUT, SELF-LOCKING, HEXAGON, ISO metric, steel, 12 mm)
NI	A	G1	5310-99-122-6477WASHER, FLAT, steel, 12 mm id x 24 mm od x 2.5 mm thk)
27	A	6MT13	2510-99-749-9830	...MUDFLAPS AND FITTINGS: lh and rh -MUDFLAP, straight, rubber, 518 mm lg x 363 mm w	FV993653	2
NI	A	6MT13	5306-99-749-9832BOLT, SHOULDERED, ISO metric, steel, hex hd, 6 mm thd, 8 mm dia shoulder, 29 mm o/a lg	FV993656	12
NI	A	G1	5310-99-122-6474WASHER, FLAT, steel, 6 mm id x 12.5 mm od x 1.6 mm thk		12
NI	A	G1	5310-99-122-6475WASHER, FLAT, steel, 8 mm id x 17 mm od x 1.6 mm thk		2
NI	A	G1	5310-99-122-5495NUT, SELF-LOCKING, HEXAGON, ISO metric, steel, nylon insert, 6 mm		12
NI	A	G1	5305-99-122-4911SCREW, MACHINE, ISO metric, steel, hex hd, 10 mm x 30 mm lg		10

293



2914

FIG ITEM	MAN CODE NAVY - N ARMY - A RAF - R	NATO STOCK NUMBER	ITEM NAME AND DESCRIPTION	PART NO./ DRAWING NO.	NO. OFF	ANNOTATIONS
Fig 1			BODY - contd .CARGO BODY - contd ..MOUNTINGS - contd ...MUDFLAPS AND FITTINGS: lh and rh - contd			
NI	A G1	5310-99-122-6476WASHER, FLAT, steel, 10 mm id x 21 mm od x 2 mm thk		11	
NI	A G1	5310-99-122-5297NUT, PLAIN, HEXAGON, ISO metric, steel, 10 mm		17	
NI	A G1	5310-99-122-6476WASHER, FLAT, steel, 10 mm id x 21 mm od x 2 mm thk		17	
NI	A G1	5305-99-122-5356SCREW, MACHINE, ISO metric, steel, hex hd, 5 mm x 16 mm lg		15	
NI	A G1	5310-99-122-5294NUT, PLAIN, HEXAGON, ISO metric, steel, 5 mm		15	
NI	A G1	5310-99-122-3032WASHER, FLAT, steel, 5 mm id x 10 mm od x 1 mm thk		15	
NI	A G1	5310-99-122-5297NUT, PLAIN, HEXAGON, ISO metric, steel, 10 mm		2	
NI	A G1	5310-99-138-9227WASHER, LOCK, steel, split helical ring, 8 mm id x 13 mm od x 2 mm thk		2	
NI	A G1	5306-99-138-1544BOLT, SQUARE NECK, ISO metric, steel, button hd, 6 mm x 30 mm lg		12	
NI	A G1	5310-99-122-5295NUT, PLAIN, HEXAGON, ISO metric, steel, 6 mm		12	
NI	A G1	5310-99-137-9232WASHER, LOCK, steel, split helical ring, 6 mm id		12	
NI	A G1	5305-99-135-0271SCREW, MACHINE, ISO metric, steel, flat csk hd, slot drive, 8 mm x 30 mm lg		2	
NI	A 6MT3	9905-99-824-7090	...REFLECTOR, INDICATING, CLEARANCE, red, plastics, 4-1/4 in. lg x 1-13/16 in. w x 1/4 in. thk		2	
NI	A 6MT1	9905-99-823-1899	...SIGN; rear marker, red/yellow diagonal stripes, 16-1/2 in. lg x 9-1/4 in. w		2	
NI	A G1	5305-99-136-2491	...SCREW, MACHINE, BSW, nylon, button hd, 1/4 in. x 5/8 in. lg, yellow		8	
NI	A G1	5310-99-123-0472	...NUT, PLAIN, HEXAGON, BSW, steel, 1/4 in.		8	
NI	A G1	5305-99-950-4416	...SCREW, TAPPING, THREAD FORMING, steel, No.6 x 1/2 in.		8	
NI	A Z6	5340-99-119-6087	...STRAP, LINE SUPPORTING, plastics, strap and buckle, 7-3/4 in. lg x 3/16 in. w x 1/16 in. thk	T50R	6	
NI	A KG	5340-99-136-6205	...STRAP, LINE SUPPORTING, nylon, 8-1/2 in. lg	SST2H	6	
NI	A G1	5305-99-135-0696	...SCREW, MACHINE, ISO metric, steel, pan hd, slot drive, 4 mm x 12 mm lg		4	
NI	A G1	5310-99-135-0766	...NUT, PLAIN, HEXAGON, ISO metric, steel, 4 mm		10	
NI	A G1	5310-99-122-3408	...WASHER, FLAT, steel, 4 mm id x 9 mm od x 1 mm thk		4	
NI	A G1	5305-99-999-2522	...SCREW, MACHINE, BA, steel, rd hd, slot drive, No.4 x 1/2 in. lg		AR	
NI	A G1	5305-99-135-0697	...SCREW, MACHINE, ISO metric, steel, pan hd, 4 mm x 16 mm lg		6	



Chap 2-7-2

Fig 1 Body

C46/145

9096

FIG ITEM	MAN CODE NAVY - N ARMY - A RAF - R	NATO STOCK NUMBER	ITEM NAME AND DESCRIPTION	PART NO./ DRAWING NO.	NO. OFF	ANNOTATIONS
Fig 1			BODY - contd .CARGO BODY - contd ..MOUNTINGS - contd			
NI	A G1	5310-99-423-4870	...NUT, PLAIN, HEXAGON, BA, steel, No.4)AR
NI	A G1	5310-99-912-8182	...WASHER, LOCK, steel, split helical ring, double coil, 5/32 in. id			
NI	A G1	5310-99-138-9225	...WASHER, LOCK, steel, split helical ring, 4 mm id		6	
30	A 6MT13	2510-99-749-9825	...JERRICAN CARRIER, steel, 18-13/16 in. lg x 14-9/16 in.w x 14-3/4 in. h	FV724938	1	
NI	A 7BD	2590-99-749-6574	...PLATE, REGISTRATION, VEHICUIAR, aluminium, 340 mm lg x 240 mm w	91077462	1	
32		NP	..SPARE WHEEL CARRIER - ...BRACKET ASSEMBLY, SPARE WHEEL CARRIER	91042875	1	
NI	A 7BD	3010-99-749-6572	...GEAR ASSEMBLY, wormwheel and wormshaft; c/w bracket and plate	91030013	1	
33	A 7BD	2530-99-836-3433	...CABLE, SPARE WHEEL CARRIER	91076739	1	
34	A 7BD	2590-99-749-6573	...PLATE ASSEMBLY, SPARE WHEEL CARRIER, welded assy c/w 2 thd studs	91054734	1	
35	A 6MT4	5310-99-815-3290	...NUT, CONE SEAT, HEXAGON	8837120	2	
36-41	A 6MT13	2540-99-833-6932	..SUPERSTRUCTURE - ...TILT FRAME ASSEMBLY	FV846030	1	
36	A 6MT13	2510-99-833-6934PILLAR, REAR CORNER, rh	FV846032	1	
NI	A 6MT13	2510-99-833-6933PILLAR, REAR CORNER, lh	FV846031	1	
37	A 6MT13	2510-99-833-6937PILLAR, INTERMEDIATE	FV846036	2	
38		NPPILLAR, FRONT CORNER, rh	FV993692	1	
NI		NPPILLAR, FRONT CORNER, lh	FV993691	1	
39	A 6MT13	2510-99-833-6935LONGITUDINAL ASSEMBLY	FV846034	2	
40		NPHOOPSTICK	FV993690	2	
41	A 6MT13	2540-99-833-6938HOOPSTICK ASSEMBLY	FV846037	5	
NI		NPSPRING CLIP ASSEMBLY	FV993686	1)AR
NI		NPWASHER, LARGE, BRIGHT 20 mm id			
42-46	A 6MT13	2540-99-833-6940	...TILT ASSEMBLY	FV846040	1	
42	A 6MT13	2540-99-833-6941TOP SHEET	FV846041	1	
43	A 6MT13	2540-99-833-6943SIDE SHEET, FRONT, rh	FV846043	1	
NI	A 6MT13	2540-99-833-6942SIDE SHEET, FRONT, lh	FV846042	1	
44	A 6MT13	2540-99-833-6946FRONT CURTAIN	FV846046	1	
45	A 6MT13	2540-99-833-6944SIDE SHEET, REAR, lh	FV846044	1	
NI	A 6MT13	2540-99-833-6945SIDE SHEET, REAR, rh	FV846045	1	
46	A 6MT13	2540-99-812-9249REAR SHEET	FV689502	1	

997

998

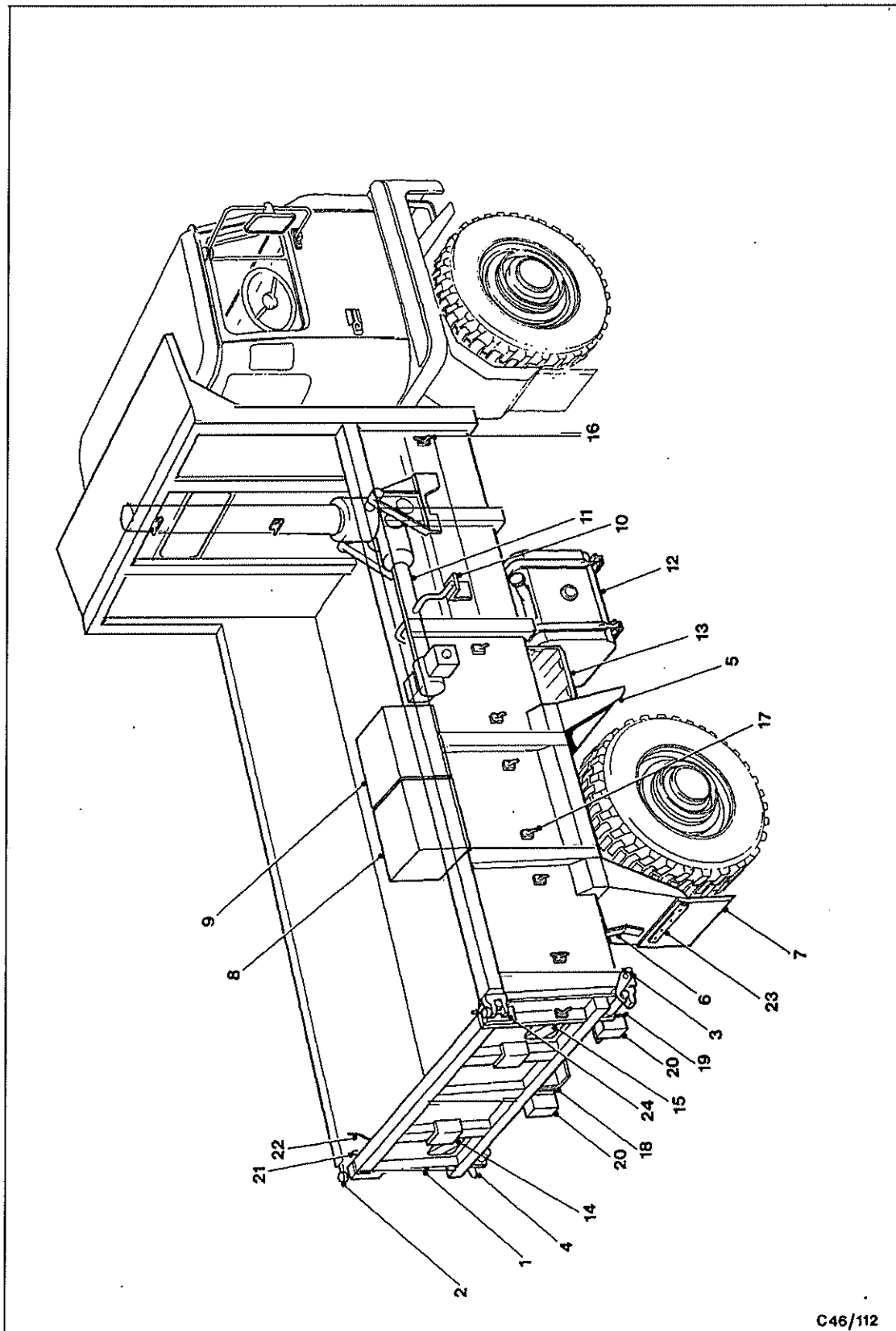


ARMY EQUIPMENT
SUPPORT PUBLICATIONS

2320-L-701-711

CHAPTER 2-7-3
BODY-TIPPER

Issued Nov. 1983



C46/112

Chap 2-7-3

Fig1 Tipper body

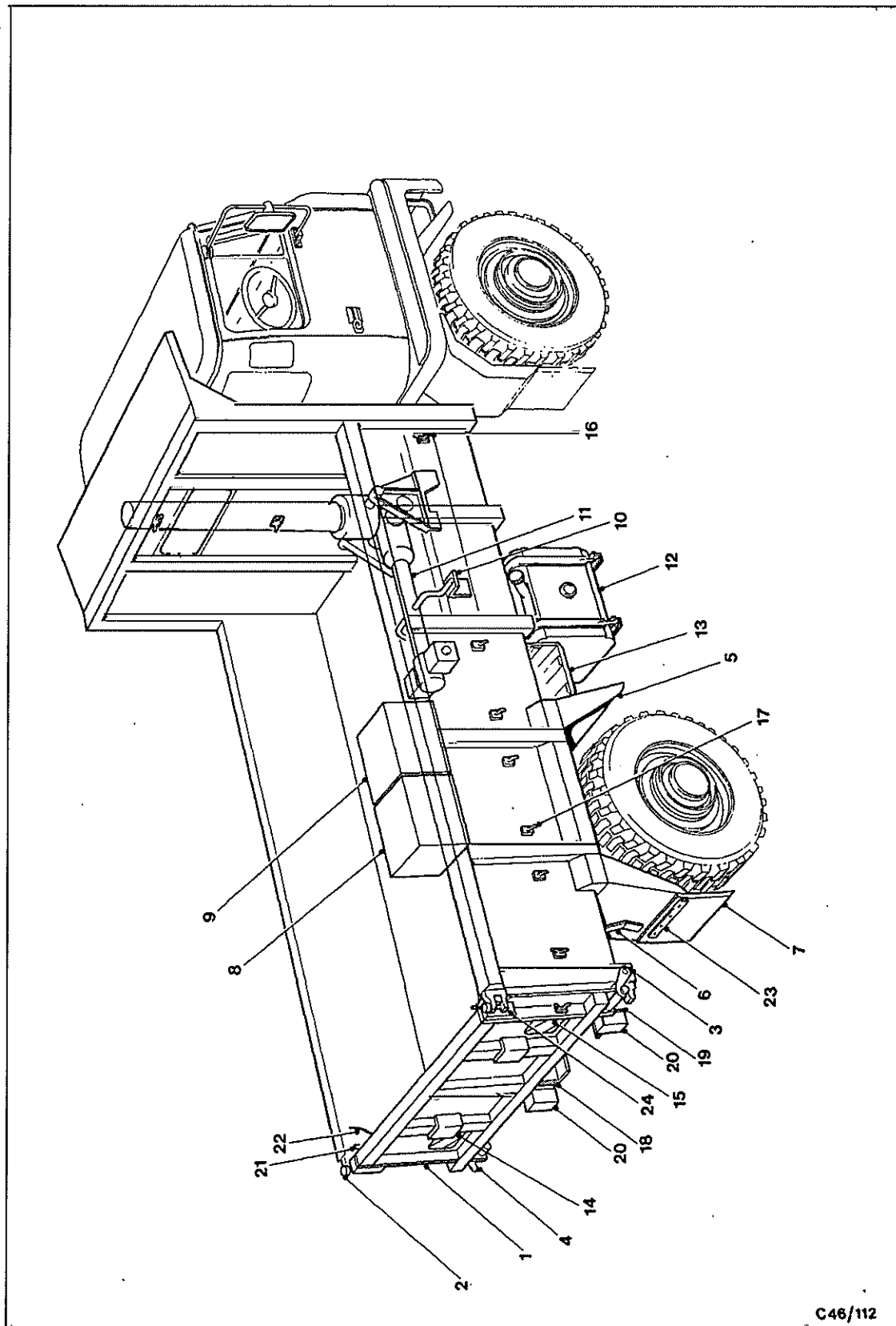
*

ARMY EQUIPMENT
SUPPORT PUBLICATIONS

2320-L-701-711

FIG ITEM	MAN CODE NAVY - N ARMY - A RAF - R	NATO STOCK NUMBER	ITEM NAME AND DESCRIPTION	PART NO./ DRAWING NO.	NO. OFF	ANNOTATIONS
Fig 1			BODY - contd			
1	A	7EDT	2510-99-759-1902 ..TIPPER BODY - ..TAILBOARD, VEHICLE BODY, welded steel, 96-3/4 in. lg x 28.160 in. w x 2 in. thk, w/hinge lock and rope anchor facilities	FL189G item 4	1	
2	A	6MT13	5315-99-828-2400 ..PIN, SPRING, LOADED, TOGGLE, steel, 1/2 in. dia, w/ring, chain and compression ring	M207/1/2IN	2	
3	A	7EDT	5340-99-828-2402 ..EYE HOOK, steel, flat stock, 4-11/16 in. lg hook, w/o eye screw attachment	BF424	2	
4	A	7EDT	2510-99-828-2403 ..HANDLE LOCKING, steel, 12-3/16 in. lg x 2-3/8 in. o/a w x 1/2 in. thk, 1 hole 1-17/64 in. dia	B11716	1	
5	A	7EDT	2510-99-828-0074 ..MUDGUARD VEHICULAR, steel, rear, 20 in. lg x 23-1/2 in. w x 8 in. h	SAA 1847	2)Lh side)rear & Rh)side front
NI	A	7EDT	2510-99-828-0073 ..MUDGUARD VEHICULAR, steel, rear, 20 in. lg x 23-1/2 in. w x 8 in. h	SAA 1846	2)Lh side)front & Rh)side rear
NI	A	G1	5305-99-941-0525 ..SCREW, MACHINE, UNF, steel, hex hd, 5/16 in. x 3/4 in. lg		28)
NI	A	G1	5310-99-970-3202 ..WASHER, FLAT, steel, rd, 5/16 in. id x 7/8 in. od x 5/64 in. thk		56)u/w)mudguards
NI	A	G1	5310-99-941-6655 ..WASHER, LOCK, steel, split helical ring, 5/16 in.		28)
NI	A	G1	5310-99-134-1515 ..NUT, PLAIN, HEXAGON, UNF, steel, 5/16 in.		28)
6	A	7EDT	2510-99-749-3612 ..STAY, SUPPORT, MUDGUARD, steel	BF552	4)
NI	A	G1	5305-99-941-0527 ..SCREW, MACHINE, UNF, steel, hex hd, 5/16 in. x 1 in. lg		4)
NI	A	G1	5310-99-136-6711 ..WASHER, BEVEL, malleable iron, 3/8 in. id		4)u/w
NI	A	G1	5310-99-970-3202 ..WASHER, FLAT, steel, rd, 5/16 in. id x 7/8 in. od x 5/64 in. thk		4)mudguard
NI	A	G1	5310-99-941-6655 ..WASHER, LOCK, steel, split helical ring, 5/16 in.		4)support
NI	A	G1	5310-99-136-1515 ..NUT, PLAIN, HEXAGON, UNF, steel, 5/16 in.		4)stays
7	A	7EDT	2540-99-828-1946 ..MUDFIAP, rubber, 21 in. lg x 12 in. h	BF453	2)
8,9	A	6MT13	2590-99-818-4502 ..LOCKER, STOWAGE VEHICLE, steel, 20 in. x 16-1/2 in. x 15-3/4 in. approx o/a dim.	FV689543	2)
NI	A	G1	5305-99-941-0569 ..SCREW, MACHINE, UNF, steel, hex hd, 1/2 in. x 1-1/2 in. lg		8)
NI	A	G1	5310-99-970-3203 ..WASHER, FLAT, steel, rd, 1/2 in. id		8)u/w locker
NI	A	G1	5310-99-120-4376 ..WASHER, LOCK, steel, split helical ring, 1/2 in.		8)stowages
NI	A	G1	5310-99-136-1518 ..NUT, PLAIN, HEXAGON, UNF, steel, 1/2 in.		8)
10		NP	..SUPPORT BRACKET, BODY PROP HANDLE, rh	BF545	1)
NI		NP	..SUPPORT BRACKET, BODY PROP HANDLE, lh	BF544	1)
NI	A	G1	5305-99-941-0545 ..SCREW, MACHINE, UNF, steel, hex hd, 3/8 in. x 1-1/2 in. lg		8)u/w
NI	A	G1	5310-99-970-8407 ..WASHER, FLAT, steel, rd, 3/8 in.		8)support)bracket

101



Chap 2-7-3

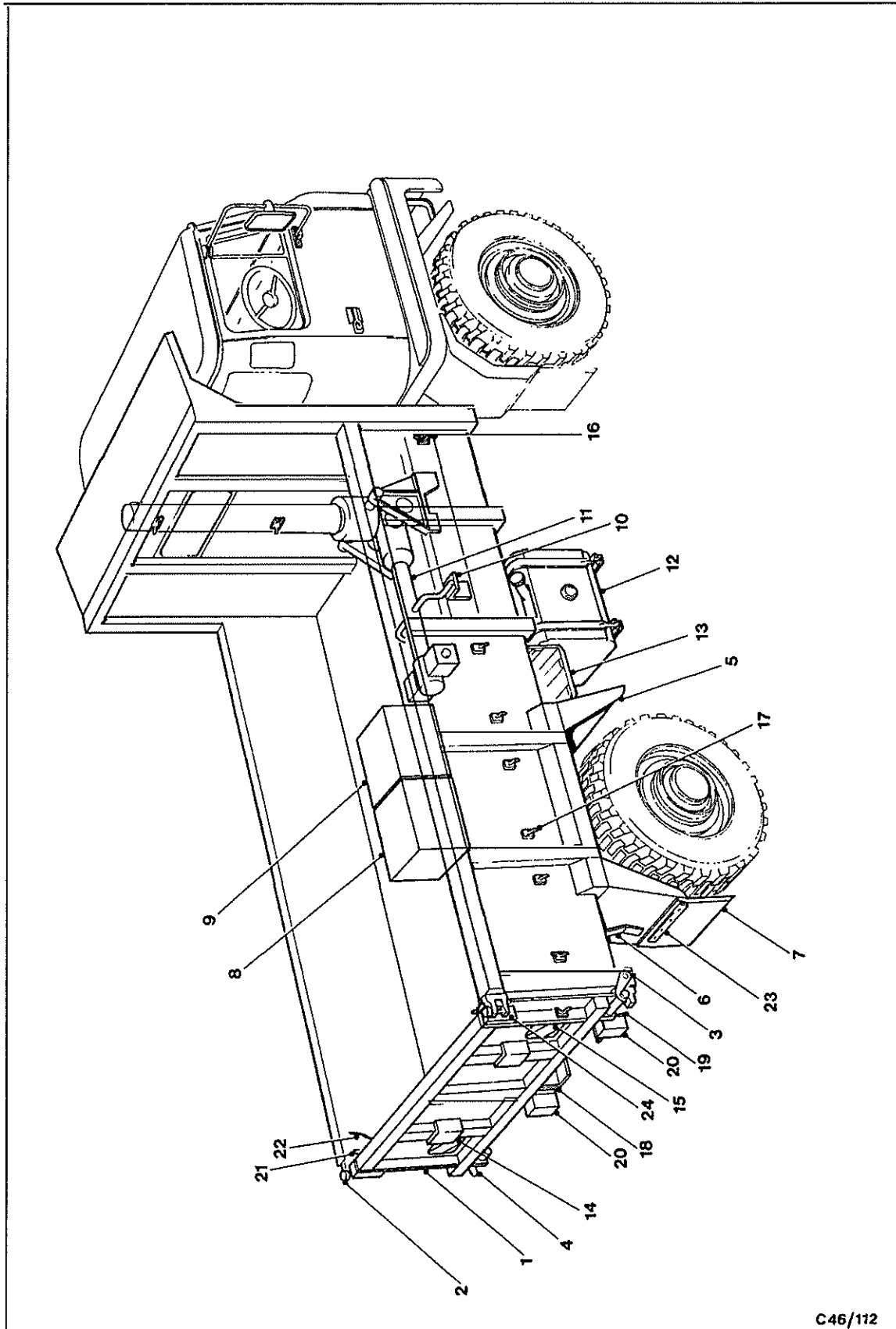
Fig1 Tipper body

C46/112

302

FIG ITEM	MAN CODE NAVY - N ARMY - A RAF - R	NATO STOCK NUMBER	ITEM NAME AND DESCRIPTION	PART NO./ DRAWING NO.	NO. OFF	ANNOTATIONS
Fig 1			BODY - contd			
NI	A G1	5310-99-944-0567	..TIPPER BODY -- contd			
NI	A G1	5310-99-135-6785	..WASHER, LOCK, steel, single coil, 3/8 in.		8	} u/w support bracket
11	A 7EDT	2510-99-749-3615	..NUT, PLAIN, HEXAGON, UNF, steel, 3/8 in.		8	
NI	A G1	5305-99-941-0569	..PROP ASSEMBLY, BODY, steel, welded construction	BF531	1	}
NI	A G1	5310-99-941-8637	..SCREW, MACHINE, UNF, steel, hex hd, 1/2 in. x 1-1/2 in. lg		4	
NI	A G1	5310-99-941-8637	..WASHER, FLAT, steel, rd, rd hole, 1/2 in. id x 1 in. od x 0.092 in. thk		4	} u/w prop assy
NI	A G1	5310-99-120-4376	..WASHER, LOCK, steel, split helical ring, 1/2 in.		4	
NI	A G1	5310-99-136-1518	..NUT, PLAIN, HEXAGON, UNF, steel, 1/2 in.		4	}
12	A 7EDT	2510-99-749-3618	..GUARD, FUEL TANK, pressed steel construction, 23-1/2 in. w x 23-1/2 in. lg first leg x 22-1/2 in. lg second leg	BF560	1	
NI	A G1	5305-99-941-0513	..SCREW, MACHINE, UNF, steel, hex hd, 1/4 in. x 3/4 in. lg		8	} u/w fuel tank guard
NI	A G1	5310-99-120-8327	..WASHER, FLAT, steel, rd shape, 1/4 in. id		8	
NI	A G1	5310-99-120-1338	..WASHER, LOCK, steel, split helical ring, 1/4 in.		8	}
NI	A G1	5310-99-804-7941	..NUT, PLAIN, HEXAGON, UNF, steel, 1/4 in.		8	
13	A 6MT13	2510-99-749-9825	..JERRICAN CARRIER, steel	FV724938	1	}
NI	A G1	5305-99-941-0539	..SCREW, MACHINE, UNF, steel, hex hd, 3/8 in. x 3/4 in. lg		4	
NI	A G1	5310-99-120-7444	..WASHER, FLAT, 3/8 in. id		4	} u/w jerrican carrier
NI	A G1	5310-99-944-0567	..WASHER, LOCK, steel, single coil, 3/8 in.		4	
NI	A G1	5310-99-135-6785	..NUT, PLAIN, HEXAGON, UNF, steel, 3/8 in.		4	}
14,15	A 6MT1	9805-99-837-2954	..SIGN, aluminium, rect, 237 mm lg x 420 mm w, rh & lh side	E2800	2	
16	A 6MT13	5340-99-804-7030	..CLEAT, ROPE, steel, double horn, 4 in. lg x 1-1/4 in. h, w/2 mtg holes 17/64 in. dia.		10	}
17	A 6MT13	5340-99-821-1372	..CLEAT, ROPE, steel, single horn, 3-5/8 in. lg x 7/8 in. h, w/w mtg holes		16	
18	A 7EDT	2510-99-749-3611	..BRACKET, BUFFER, TAILDOOR, steel, welded assy, lh	BF550/L	1	}
19	A 7EDT	2510-99-749-3610	..BRACKET, BUFFER, TAILDOOR, steel, welded assy, rh	BF550/R	1	
NI	A G1	5306-99-941-0999	..BOLT, MACHINE, UNF, steel, hex hd, 1/2 in. x 2 in. lg		4	} u/w taildoor buffer bracket
NI	A G1	5310-99-941-8637	..WASHER, FLAT, steel, rd, rd hole 1/2 in. id x 1 in. od x 0.092 in. thk		4	
NI	A G1	5310-99-120-4376	..WASHER, LOCK, steel, split helical ring, 1/2 in.		4	}
NI	A G1	5310-99-136-1518	..NUT, PLAIN, HEXAGON, UNF, steel, 1/2 in.		4	
20	A 6MT13	5340-99-999-5988	..BUMPER, RUBBER, black, 5 in. lg x 1-3/4 in. w x 1-5/8 in. thk	6424	2	} u/w taildoor buffer rubber
NI	A G1	5306-99-120-9128	..BOLT, MACHINE, UNF, steel, hex hd, 5/16 in. x 1-3/4 in. lg		4	
NI	A G1	5310-99-970-3202	..WASHER, FLAT, steel, rd, rd hole, 5/16 in. id x 7/8 in. od x 5/64 in. thk		8	

303



Chap 2-7-3

Fig1 Tipper body

C46/112

FIG ITEM	MAN CODE NAVY - N ARMY - A RAF - R	NATO STOCK NUMBER	ITEM NAME AND DESCRIPTION	PART NO./ DRAWING NO.	NO. OFF	ANNOTATIONS
Fig 1			BODY - contd			
NI	A G1	5310-99-941-6655	..TIPPER BODY - contd			
NI	A G1	5310-99-136-1515	..WASHER, LOCK, steel, split helical ring, 5/16 in.		4)u/w)taildoor
21	A 7EDT	5340-99-749-3606	..NUT, PLAIN, HEXAGON, UNF, steel, 5/16 in.		4)buffer)rubber
22	A 7EDT	2540-99-749-9845	..CLEAT, ROPE, steel, 3-1/2 in. lg x 1-1/8 in. w base	BF319	2	
			..CHAIN, TAILDOOR SECURING, steel, welded link	BF548	2	
NI	A 7EDT	5315-99-834-1173	..PIN, BODY FORK	BF38	1	
NI	A 7EDT	2510-99-749-3604	..BOSS, MOUNTING, LOCKING HANDLE, steel, 19/32 in. dia hole, 1-1/2 in. square plate, 5/8 in. thk	BF429	1	
23	A 7EDT	2510-99-749-3613	..PLATE, BACKING, MUDFLAP, steel, 1-1/2 in. w x 1/8 in. thk, w/4 holes 9/32 in. dia, 20 in. lg	BF551	1	
NI	A G1	5305-99-941-0513	..SCREW, MACHINE, UNF, steel, hex hd, 1/4 in. x 3/4 in. lg		8)
NI	A G1	5310-99-120-8327	..WASHER, FLAT, steel, rd shape, 1 1/4 in. id x 3/4 in. od x 1/16 in. thk		8)u/w)mudflap)backing)plate
NI	A G1	5310-99-120-1338	..WASHER, LOCK, steel, split helical ring, 1/4 in.		8)
NI	A G1	5310-99-804-7941	..NUT, PLAIN, HEXAGON, UNF, steel, 1/4 in.		8)
24	A 7EDT	2540-99-749-3605	..BALANCEWEIGHT, TAILBOARD, steel	BF278/1	2)
NI	A G1	5306-99-941-0171	..BOLT, MACHINE, UNF, steel, hex hd, 5/16 in. x 2 in. lg		20)
NI	A G1	5310-99-136-6711	..WASHER, BEVEL, malleable iron, 3/8 in. id		20)u/w
NI	A G1	5310-99-970-3202	..WASHER, FLAT, steel, rd, 5/16 in. id x 7/8 in. od x 5/64 in. thk		20)timber)packing)strips
NI	A G1	5310-99-941-6655	..WASHER, LOCK, steel, split helical ring, 5/16 in. id		20)
NI	A G1	5310-99-136-1515	..NUT, PLAIN, HEXAGON, UNF, steel, 5/16 in.		20)

305



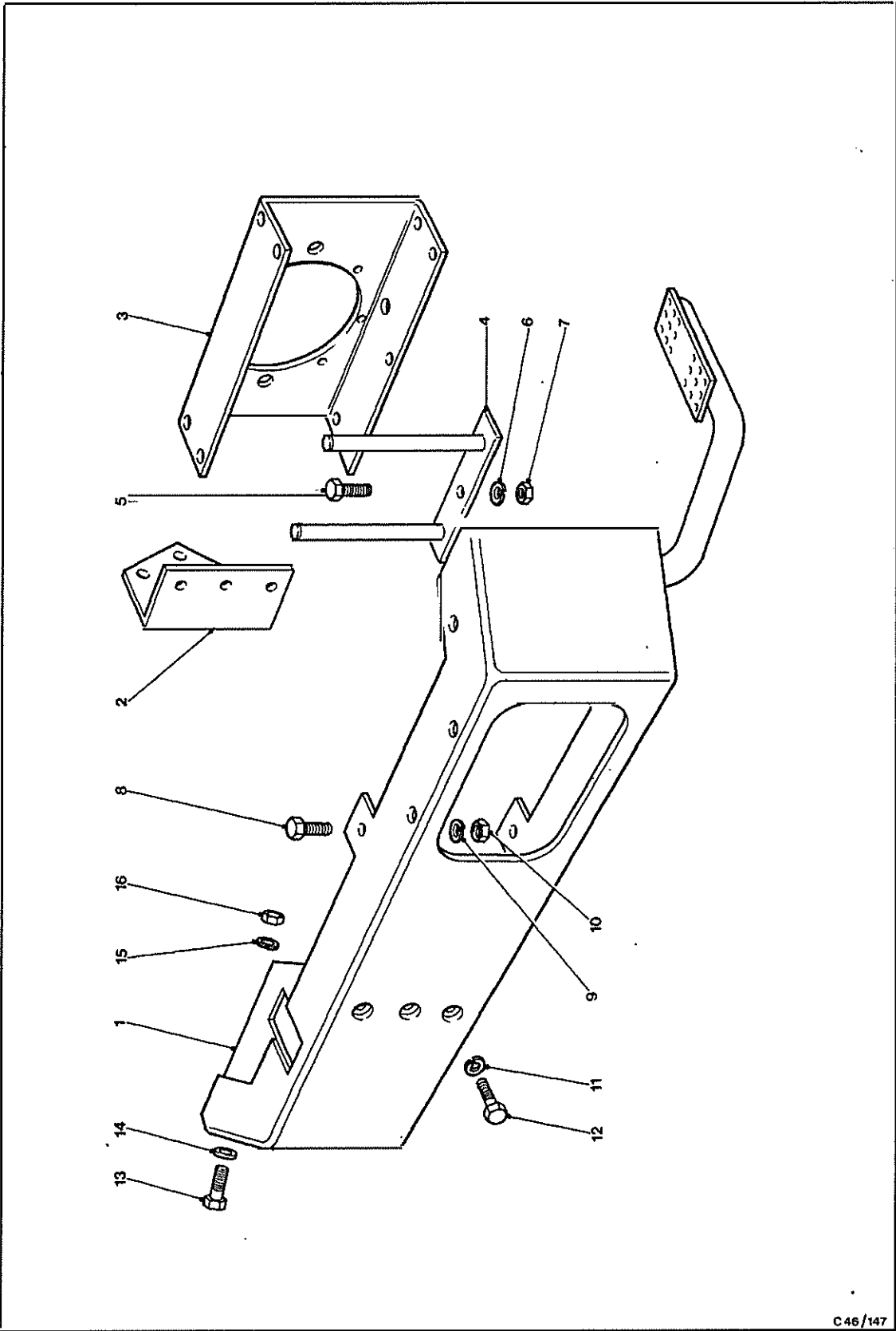
ARMY EQUIPMENT
SUPPORT PUBLICATIONS

2320-L-701-711

307

CHAPTER 2-8
FRAME AND SUSPENSION

Issued Nov. 1983



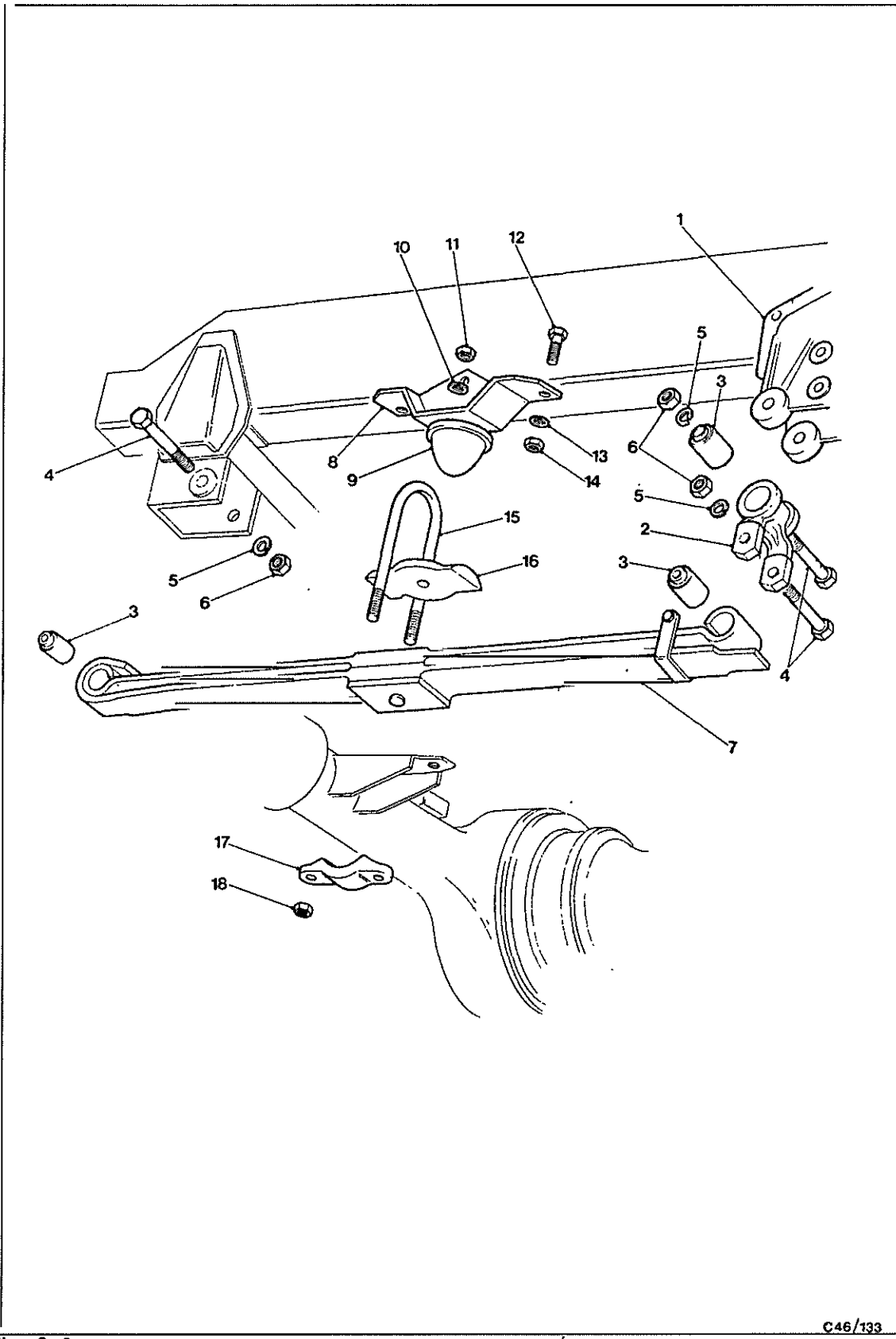
C46/147

Chap 2-8

Fig1 Bump r-front

FIG ITEM	MAN CODE NAVY - N ARMY - A RAF - R	NATO STOCK NUMBER	ITEM NAME AND DESCRIPTION	PART NO./ DRAWING NO.	NO. OFF	ANNOTATIONS
Fig 1						
1	A	7BD	2540-99-836-6678	91065125	1	Lh
NI	A	7BD	2540-99-836-6677	91065124	1	Rh, w/o winch
NI		NP	..BUMPER, VEHICULAR; c/w step	91065126	1	Rh, w/ winch
2	A	7BD	2590-99-736-4250	91055127	1	Lh
NI	A	7BD	2590-99-736-4251	91055126	1	Rh
3	A	7BD	2540-99-749-6560			
4	A	7BD	2540-99-749-6561	91043610	2	
5			..PROTECTOR, HEADLAMP, steel, 2 bars and base plate	91043611	2	
6	A	G1	5310-99-203-6405		4	
7	A	G1	5310-99-122-5295		4	
8			..SCREW, MACHINE		8	
9	A	G1	5310-99-203-6405		8	
10	A	G1	5310-99-122-5295		8	
12	A	G1	5305-99-122-4913		6	
13	A	G1	5305-99-122-4913		6	
14			..WASHER, FLAT		6	
15	A	G1	5310-99-530-0155		6	
16	A	G1	5310-99-122-5298		6	

309

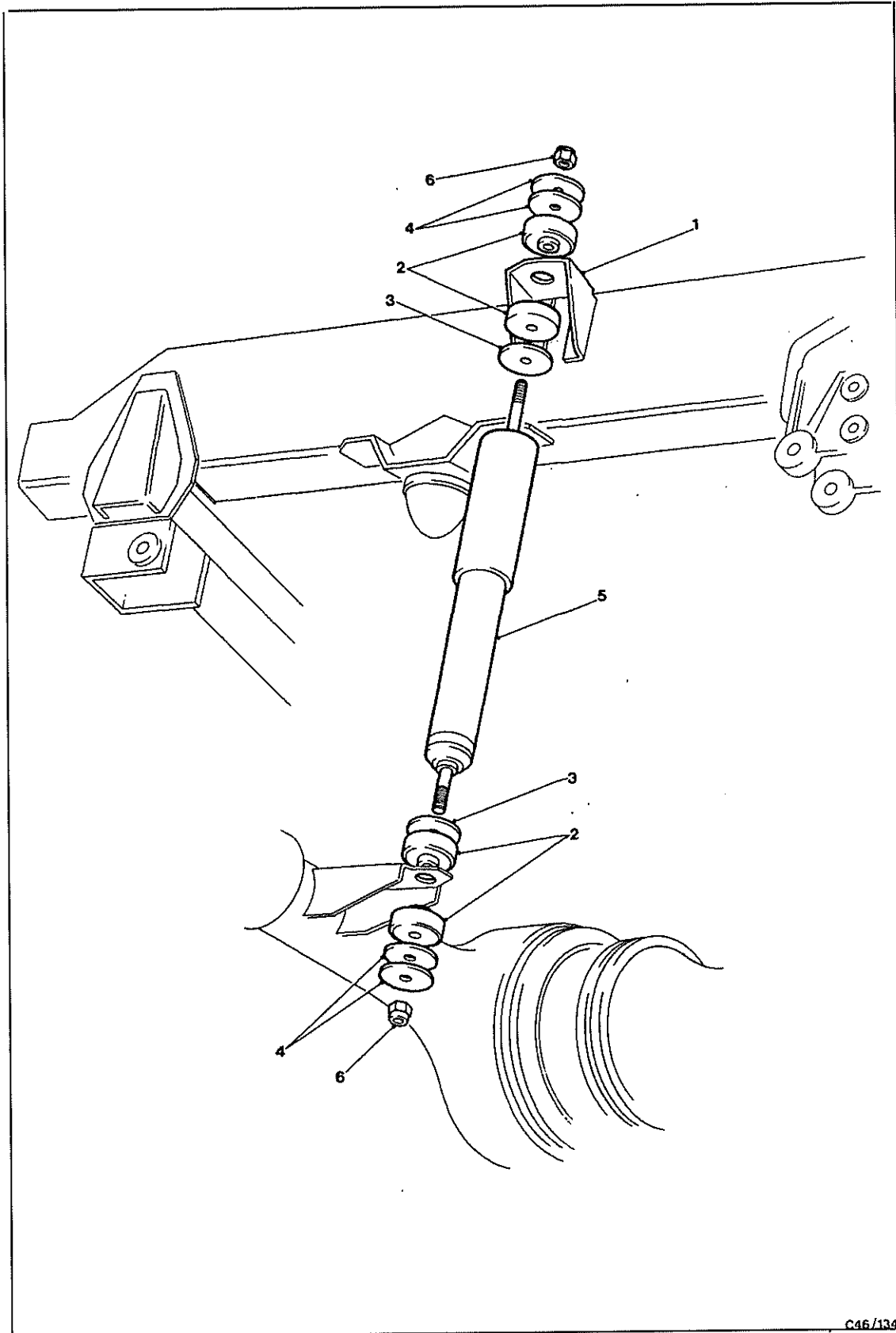


310

Fig 2 Front spring

FIG ITEM	MAN CODE NAVY - N ARMY - A RAF - R	NATO STOCK NUMBER	ITEM NAME AND DESCRIPTION	PART NO./ DRAWING NO.	NO. OFF	ANNOTATIONS
Fig 2			FRAME AND SUSPENSION - contd			
1		NP	..FRONT SPRING -	91044463	1	Lh
NI		NP	..HANGER, SPRING	91044462	1	Rh
2	A 7BD	2510-99-833-2893	..SHACKLE, LEAF SPRING ASSEMBLY; c/w bushes	91014400	2	
3	A 7BD	5340-99-833-2891	..MOUNT, RESILIENT, steel/rubber, 102 mm lg x 22 mm id x 47 mm od	91022640	6	
4	A 7BD	5306-99-139-1241	..BOLT, MACHINE, ISO metric, steel, hex hd, 22 mm x 174 mm lg	91024316	6	
5	A G1	5310-99-941-6662	..WASHER, LOCK, steel, split helical ring, 7/8 in. id		6	
6			..NUT, PLAIN, HEXAGON, ISO metric, steel, 22 mm		6	
7	A 7BD	2510-99-836-6679	..SPRING ASSEMBLY, LEAF, 2 leaves, 1600 mm c to c		2	
8		NP	..BRACKET, BUMP STOP MOUNTING	91070571	2	
9	A 7BD	5340-99-747-9689	..BUMPER, RUBBER, steel/rubber, dome shaped, 108 mm dia x 115 mm h, 2 stud mtg	91070575	2	
10	A G1	5310-99-130-2198	..WASHER, LOCK, steel, split helical ring, 12 mm id		4	
11	A G1	5310-99-122-5298	..NUT, PLAIN, HEXAGON, ISO metric, steel, 12 mm		4	
15	A 7BD	5306-99-833-2894	..BOLT, U, steel, 290 mm lg x 102 mm between legs, M20 thds both ends	91035673	4	
NI	A 7BD	5306-99-747-9686	..BOLT, MACHINE, ISO metric, steel, rd hd, 12 mm x 85 mm lg	91029707	2	Centre bolt
16		NP	..SPACER	91070527	2	
17		NP	..PLATE, ANCHOR	91009392	4	
18	A 7BD	5310-99-836-6680	..NUT, PLAIN, HEXAGON, ISO metric, steel, 20 mm	91056296	8	

311

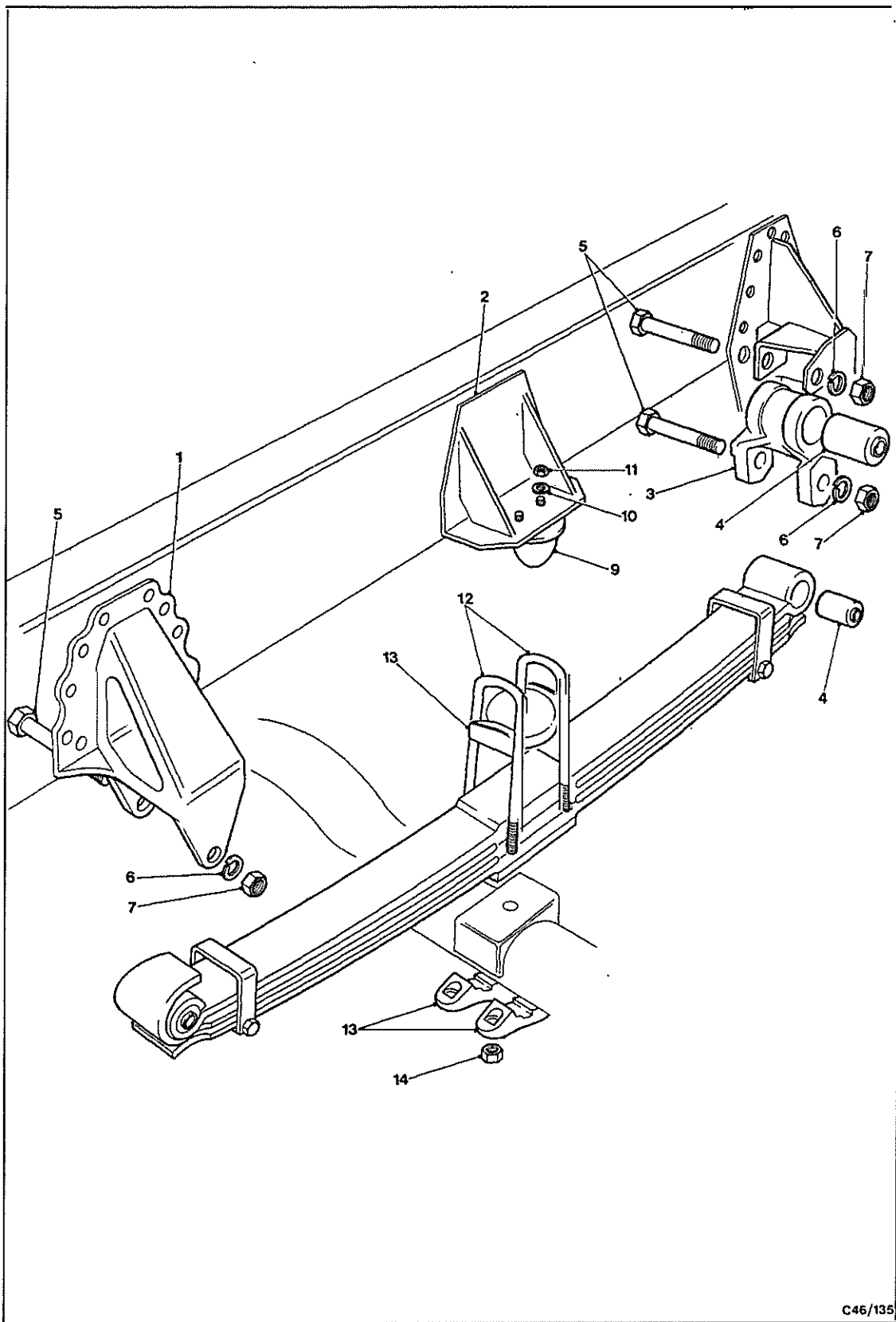


212

Fig3 Front shock absorber

FIG ITEM	MAN CODE NAVY - N ARMY - A RAF - R	NATO STOCK NUMBER	ITEM NAME AND DESCRIPTION	PART NO./ DRAWING NO.	NO. OFF	ANNOTATIONS
Fig 3			FRAME AND SUSPENSION - contd			
2	A	6MT1	..FRONT SHOCK ABSORBER -			
3	A	7BD	..BUSHING, RUBBER	91038249	8	
4	A	7BD	..WASHER, FLAT, steel, 16 mm id x 66 mm od x 5 mm thk	91078612	4	
5	A	7BD	..WASHER, FLAT, steel, 14 mm id x 66 mm od x 5 mm thk	91078613	8	
6	A	7BD	..SHOCK ABSORBER, DIRECT ACTION, 277 mm stroke	91036934	2	
NI	A	6MT1	..NUT, SELF-LOCKING, HEXAGON	11067182	4	
			..REPAIR KIT, SHOCK ABSORBER; w/7 items		1 kit	

213

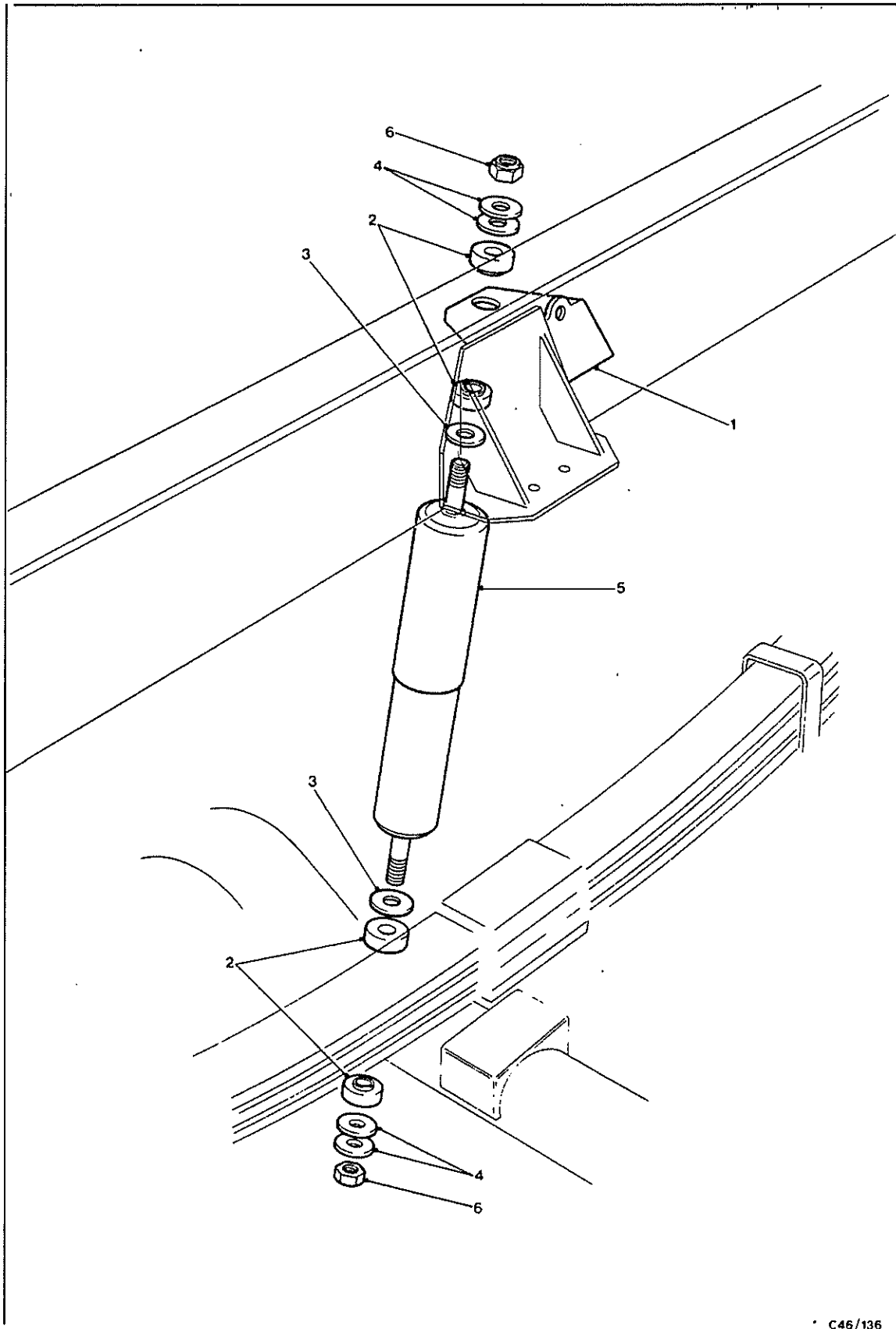


412

Fig 4 Rear spring

FIG ITEM	MAN CODE NAVY - N ARMY - A RAF - R	NATO STOCK NUMBER	ITEM NAME AND DESCRIPTION	PART NO./ DRAWING NO.	NO. OFF	ANNOTATIONS
Fig 4			FRAME AND SUSPENSION - contd			
3	A 7BD	2510-99-833-2893	..REAR SPRING -	91014400	2	
4	A 7BD	5340-99-833-2891	..SHACKLE: leaf spring	91022640	6	
5	A 7BD	5306-99-139-1241	..MOUNT, RESILIENT	91024316	6	
6	A G1	5310-99-941-6662	..BOLT			
			..WASHER, LOCK, steel, split helical ring, 7/8 in. id		6	
7	A		..NUT, PLAIN, HEXAGON, ISO metric, steel, 22 mm		6	
8	A 7BD	2510-99-836-6681	..SPRING ASSEMBLY, LEAF: rear suspension	91072971	2	
9	A 7ED	5340-99-747-9689	..BUMPER, RUBBER, steel/rubber, dome shaped, 108 mm dia x 115 mm h, 2 stud mtg	91070575	2	
10	A G1	5310-99-130-2198	..WASHER, LOCK, steel, split helical ring, 12 mm id		4	
11	A G1	5310-99-122-5298	..NUT, PLAIN, HEXAGON, ISO metric, steel, 12 mm	91035673	4	
12	A 7BD	5306-99-833-4252	..BOLT, 'U', steel, 365 mm lg x 102 mm between legs, M20 thds both ends	91037260	4	
NI	A 7BD	5306-99-748-0316	..BOLT, SPRING CENTRE, ISO metric, steel, 12 mm x 142 mm lg	91054982	2	
14	A 7BD	5310-99-836-6680	..NUT, PLAIN, HEXAGON, ISO metric, steel, 20 mm	91056296	8	

215

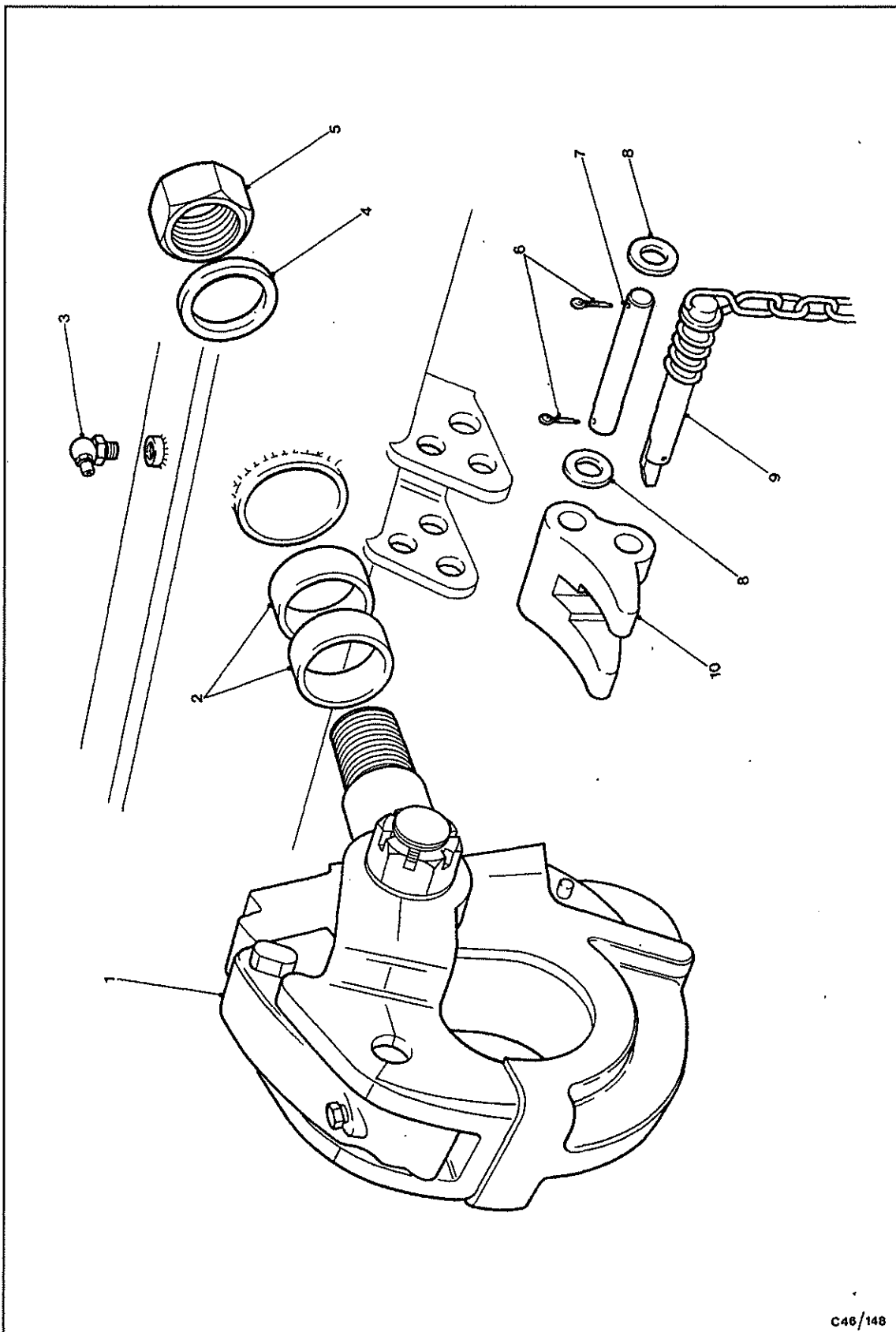


919

Fig5 Rear shock absorber

FIG ITEM	MAN CODE NAVY - N ARMY - A RAF - R	NATO STOCK NUMBER	ITEM NAME AND DESCRIPTION	PART NO./ DRAWING NO.	NO. OFF	ANNOTATIONS
Fig 5			FRAME AND SUSPENSION -- contd			
2	A	6MT1	5340-99-800-9072	91038249	8	
3	A	7BD	2540-99-747-9696	91078612	4	
4	A	7BD	2540-99-747-9697	91078613	8	
5	A	7BD	2540-99-833-4898	91036934	2	
6	A	7BD	5310-99-137-6639	11067182	4	
NI	A	6MT1	2540-99-748-2943	RK68-1000	2	

317



218

Fig 6 Pintl ass mbly, towing-r ar

FIG ITEM	MAN CODE NAVY - N ARMY - A RAF - R	NATO STOCK NUMBER	ITEM NAME AND DESCRIPTION	PART NO./ DRAWING NO.	NO. OFF	ANNOTATIONS
Fig 6			FRAME AND SUSPENSION - contd			
1	A	6MT13	2540-99-808-7764			
4	A	6MT13	5310-99-808-7831	FV192721	1	Rear
5	A	6MT13	5310-99-808-7832	FV402178	1	
7	A	9BTN	2510-99-848-5570	FV402179	1	
8	A	G1	5310-99-122-6479	FV402167	1	
9	A	6MT13	5315-99-749-6571		2	
10	A	9BTN	2540-99-848-6984	FV926233	1	
NI	A	7BD	2540-99-756-4040	FV297730	1	
				91069059	1	Front

319

ARMY EQUIPMENT
SUPPORT PUBLICATIONS

2320-L-701-711

CHAPTER 2-9
CAB

3911

Issued Nov. 1983

FIG ITEM	MAN CODE NAVY - N ARMY - A RAF - R	NATO STOCK NUMBER	ITEM NAME AND DESCRIPTION	PART NO./ DRAWING NO.	NO. OFF	ANNOTATIONS
NI	A G1	5305-99-120-5485	CAB - ..UNDERBODY - ..SCREW, TAPPING, THREAD FORMING, steel, pan hd, slot drive, dog point, No.6 x 3/8 in. lg		6	
NI	A 7BD	2590-99-749-2012	..SEAL, FELT, 50 mm od x 17 mm id x 8 mm thk	9965310	2	
NI	A 7BD	2590-99-749-2013	..WASHER, FLAT, nylon, 50 mm od x 17 mm id x 0.5 mm thk	9965311	2	
NI	A 7BD	2590-99-749-2014	..HOUSING, SEAL, steel, 85 mm od x 12 mm h x 1 mm thk matl; black	9965431	2	
NI	A 7BD	5320-99-895-0461	..GROMMET BLANK, NONMETALLIC, rubber, 1 in. od x 5/16 in. h, ext groove	7060370	1	
NI	A 7BD	5320-99-814-6384	..GROMMET BLANK, NONMETALLIC, rubber, 1 in. od x 7/16 in. h, ext groove	6351268	2	
NI	A 7BD	5325-99-749-1046	..GROMMET BLANK, NONMETALLIC, rubber, 29 mm od x 4 holes 4.7 mm dia, ext groove	91010181	2	
NI	A 7BD	2540-99-747-9200	..TREAD, METALLIC, NONSKID, aluminium, 804 mm lg x 105 mm w	91069967	2	
NI	A G1	5305-99-948-0339	..SCREW, TAPPING, THREAD FORMING, steel, flat csk hd, slot drive, dog point, No.8 x 1/2 in. lg		10	
NI	A 7BD	5325-99-749-1045	..GROMMET, BLANK, NONMETALLIC, rubber, 1.5 mm w groove, 10.5 mm thk	2717665	4	
		NP	..REAR END - ..WINDOW, REAR: flat laminated glass	N/A	1	Obtain from trade
NI	A 7BD	5330-99-836-6683	..RUBBER, SPECIAL SHAPED SECTION	91051259)AR	Moulding Filler
NI	A 7BD	5330-99-827-9197	..RUBBER, SPECIAL SHAPED SECTION	91008983		
NI	A 7BD	5340-99-747-8542	..HOOK, COAT	6386656		
NI	A G1	5305-99-121-4081	..SCREW, TAPPING, THREAD FORMING		2	
			..FRONT END ..WINDSCREEN, VEHICULAR	2717832	1	
NI	A 7BD	2510-99-833-4261	..RUBBER, SPECIAL SHAPED SECTION	91035517)AR	Moulding Filler
NI	A 7BD	5330-99-833-4262	..RUBBER, SPECIAL SHAPED SECTION	91008983		
NI	A 7BD	5330-99-827-9197	..RUBBER, SPECIAL SHAPED SECTION			
			..FRONT BUMPER - ..TREAD, STEP, RUBBER, lh, 1529 mm lg	91008125	1	
NI	A 7BD	2540-99-749-1043	..TREAD, STEP, RUBBER, rh, 1529 mm lg	91008124	1	
NI	A G1	5305-99-951-1478	..SCREW, TAPPING, THREAD FORMING)AR	
NI	A G1	5305-99-977-3258	..SCREW, TAPPING, THREAD FORMING			
NI	A 7BD	5920-99-813-9231	..CAP, RUBBER, TREAD SCREWS	6355090)	
			..MUDGUARDS AND MUDFLAPS - ..PANEL, MUDGUARD: rear portion, rh front	2713272	1	
NI	A 7BD	2510-99-766-1627	..PANEL, MUDGUARD: rear portion, rh front	91051190	1)Winch vehs only
NI	A 7BD	2510-99-749-6576	..PANEL, MUDGUARD: rear portion, lh front	2713273	1	
NI	A 7BD	2510-99-749-6577	..STAY, MUDGUARD: rear, lower, rh and lh front, steel, 660 mm o/a lg	91038862	2	
NI	A 7BD	2510-99-749-6578	..STAY, MUDGUARD: rear, upper, rh front, steel, 683 mm o/a lg	91037900	1	

323



433

ARMY EQUIPMENT
SUPPORT PUBLICATIONS

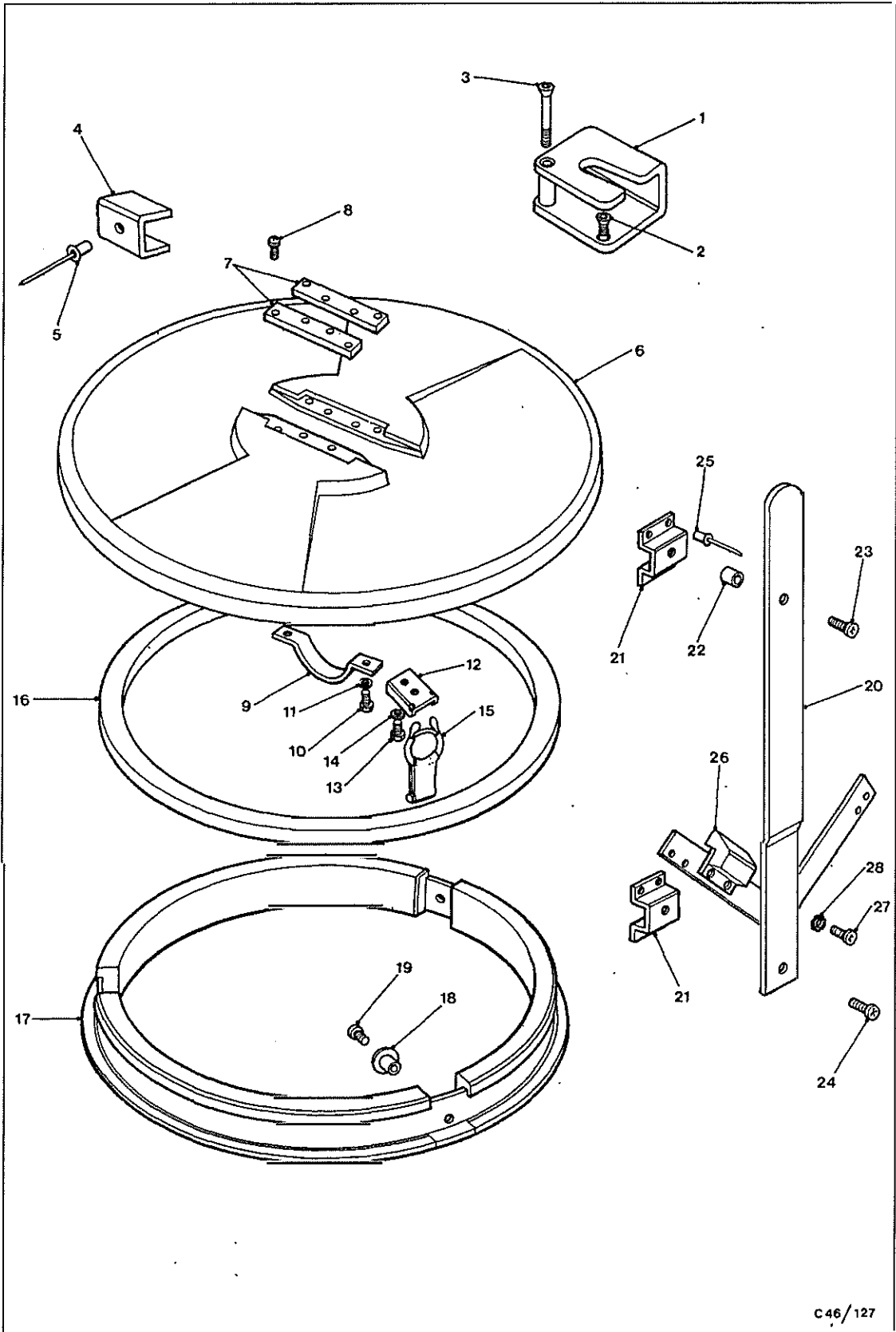
2320-L-701-711

FIG ITEM	MAN CODE NAVY - N ARMY - A RAF - R	NATO STOCK NUMBER	ITEM NAME AND DESCRIPTION	PART NO./ DRAWING NO.	NO. OFF	ANNOTATIONS	
NI	A	7BD	2510-99-749-6579	CAB - contd ..MUDGUARDS AND MUDFLAPS - contd ..STAY, MUDGUARD: rear, upper, lh front, steel, 683 mm o/a lg	91037901	1	
NI	A	7BD	2540-99-833-4253	..MUDFLAP	9962834	2	
NI	A	7BD	5306-99-139-8897	..BOLT, SHOULDER	19012467	AR	
NI	A	G1	5310-12-154-3949	..WASHER, LOCK		}AR	
NI	A	7BD	5310-99-137-8017	..NUT, PLAIN, HEXAGON	11040197		
NI	A	7BD	2510-99-749-6581	..STAY, SPLASH GUARD, front, rh, steel, 467 mm o/a lg, flat and hole at each end	91055762	1	
NI	A	7BD	2510-99-749-6582	..STAY, SPLASH GUARD, front, lh, steel, 467 mm o/a lg, flat and hole at each end	91055763	1	
NI	A	7BD	2510-99-749-6583	..STEP, UPPER, CAB, rh, steel, U shaped, 353 mm h, c/w welded brkt	91025902	1	
NI	A	7BD	2510-99-749-6584	..STEP, UPPER, CAB, lh, steel, U shaped, 353 mm h, c/w welded brkt	91025903	1	
NI	A	7BD	2510-99-795-5118	..PANEL EXTENSION ASSEMBLY, lower side panel, lh	91043659	1	
NI	A	7BD	2510-99-795-5119	..PANEL EXTENSION ASSEMBLY, lower side panel, rh	91043658	1	

926

FIG ITEM	MAN CODE NAVY - N ARMY - A RAF - R	NATO STOCK NUMBER	ITEM NAME AND DESCRIPTION	PART NO./ DRAWING NO.	NO. OFF	ANNOTATIONS
NI	A	7BD	2510-99-749-2016	CAB - contd ..ROOF - ..PANEL, ROOF, VEHICULAR; w/circular hatch hole	91044838	1
NI	A	7BD	2510-99-749-2019	..PANEL, VEHICULAR, steel, 718 mm lg x 47 mm w x 0.9 mm thk material	2717673	2
NI	A	G1	5310-99-122-5500	..NUT, SELF-LOCKING, HEXAGON, ISO metric, steel; w/nylon insert, 8 mm)	AR
NI	A	G1	5310-99-139-3932	..NUT, SELF-LOCKING HEXAGON, ISO metric, steel, w/nylon insert, 6 mm		
NI	A		..SCREW, MACHINE			
NI	A		..SCREW, MACHINE)	2	
NI	A	7BD	5340-99-749-2021			
NI	A	7BD	2510-99-749-1047	..ROOF LINING - ..PANEL ASSEMBLY, VEHICULAR: front lining	9964871	1
NI	A	7BD	2540-99-749-1048	..PANEL, VEHICULAR, lower, rh, 381 mm lg x 242 mm h, 3 holes 5 mm dia	91057290	1
NI	A	7BD	2540-99-747-9203	..PANEL, VEHICULAR, lower, lh, 381 mm lg x 242 mm h, 3 holes 5 mm dia	91057291	1
NI	A	7BD	5325-99-749-1046	..GROMMET, BLANK, NONMETALLIC, rubber, 29 mm flange dia, 4 holes 4.7 mm dia	91010181	1
NI	A	7BD	5325-99-747-9202	..GROMMET, BLANK, NONMETALLIC, rubber, 68 mm lg x 33 mm w x 6 mm thk	91008145	2
NI	A	7BD	2540-99-747-9204	..HEADLINING ASSEMBLY, ROOF; w/cupola aperture	91044820	1
NI	A	7BD	2540-99-749-1049	..BRACKET SUPPORT, HEADLINING, steel, 44 mm lg x 29 mm w x 16 h, 1 hole 5 mm dia	91044823	13
NI	A	7BD	2540-99-749-1050	..RETAINER, HEADLINING, steel, 35 mm lg x 30 mm w x 5.5 mm h, 2 holes 3.5 mm dia	91079571	8
NI	A	Y4	5320-99-417-7247	..RIVET, BLIND		16
NI	A	G1	5305-99-134-6174	..SCREW, TAPPING, THREAD FORMING		13
NI	A	G1	5310-12-126-5880	..WASHER, FLAT		16

297



328

Fig 1 Hip ring and cover

FIG ITEM	MAN CODE NAVY - N ARMY - A RAF - R	NATO STOCK NUMBER	ITEM NAME AND DESCRIPTION	PART NO./ DRAWING NO.	NO. OFF	ANNOTATIONS
Fig 1			CAB - contd .ROOF - contd			
4	A 7BD	5340-99-747-8541	..HIP RING AND COVER - ...HOOK, CAMOUFLAGE, steel, single mtg hole	91024903	20	
5	A G1	5320-99-941-7268	...RIVET, BLIND		AR	
6	A 7BD	2510-99-749-2020	...COVER, ROOF HATCH, circular, fibre glass, bronze green	91049153	1	
7	A 7BD	5340-99-749-2022	...STRIP, RETAINING, PLASTICS, 151 mm lg x 27 mm w x 4.5 mm thk, 4 holes	91051253	2	
8	A G1	5305-99-941-8363	...SCREW, TAPPING, THREAD FORMING		16	
9	A 7BD	5340-99-747-8540	...STRAP, WEBBING, 185 mm lg x 25 mm w x 2.5 mm thk, 2 mtg holes	91042778	1	
12		NP	...BRACKET	91042777	3	
15	A 7BD	2510-99-781-3717	...SPRING ASSEMBLY, PULL: hip ring cover retainer	91103656	3	
16	A 7BD	5330-99-749-2030	...SEAL, PLASTICS STRIP, PVC, 2055 mm lg x 25.5 mm w x 16 mm h, self-adhesive	91045508	1	
17	A 7BD	2540-99-749-2031	...TRIM, HIP RING, 3 segments mtd on ring	91044824	3	
18	A 7BD	5340-99-747-8542	...HOOK, HIP RING COVER, plastics, 1 in. dia shoulder x 9/16 in. lg	6386656	3	Up to CH No ET700399
18	A 7BD	2510-99-781-3718	...HOOK, HIP RING COVER, plastics, 1 in. max od, 0.43 in. min od, 0.58 in. lg	91107914	3	From CH No ET700400
19	A G1	5305-99-136-3258	...SCREW, MACHINE, SI, metric, M5 x 30		3	
21		NP	...BRACKET	91009092	2	
22		NP	...SPACER	1048789	1	
23	A G1	5305-99-135-0261	...SCREW, MACHINE		1	
24	A G1	5305-99-760-1898	...SCREW, MACHINE		1	
25	A G1	5320-99-120-9002	...RIVET, BLIND		8	
26	A 7BD	5340-99-747-8539	...BUMPER, RUBBER, rubber/steel 36 mm lg x 21 mm w x 43 mm thk, 2 mtg holes	91045507	2	
27	A G1	5305-99-135-0428	...SCREW, MACHINE		4	
28	A G1	5310-99-636-2987	...WASHER, LOCK		6	
NI	A 7BD	2510-99-749-1047	..PANEL ASSEMBLY, VEHICULAR, front lining, steel fabrication	9964871	1	
NI	A 7BD	2540-99-749-1048	..PANEL, VEHICULAR, lower lining, hardboard, 381 mm lg x 242 mm h, 3 mtg holes	91057290	1	Rh
NI	A 7BD	2540-99-747-9203	..PANEL, VEHICULAR, lower lining, hardboard, 381 mm lg x 242 mm h, 3 mtg holes	91057291	1	Lh
NI	A 7BD	5325-99-749-1046	..GROMMET, NONMETALLIC, rubber, 29 mm od, 4 hole 4.7 mm dia, ext groove	91010181	1	Front lining panel
NI	A 7BD	5325-99-747-9202	..GROMMET, BLANK, NONMETALLIC, rubber, 68 mm lg x 33 mm w x 6 mm thk, ext groove	91008145	2	

329

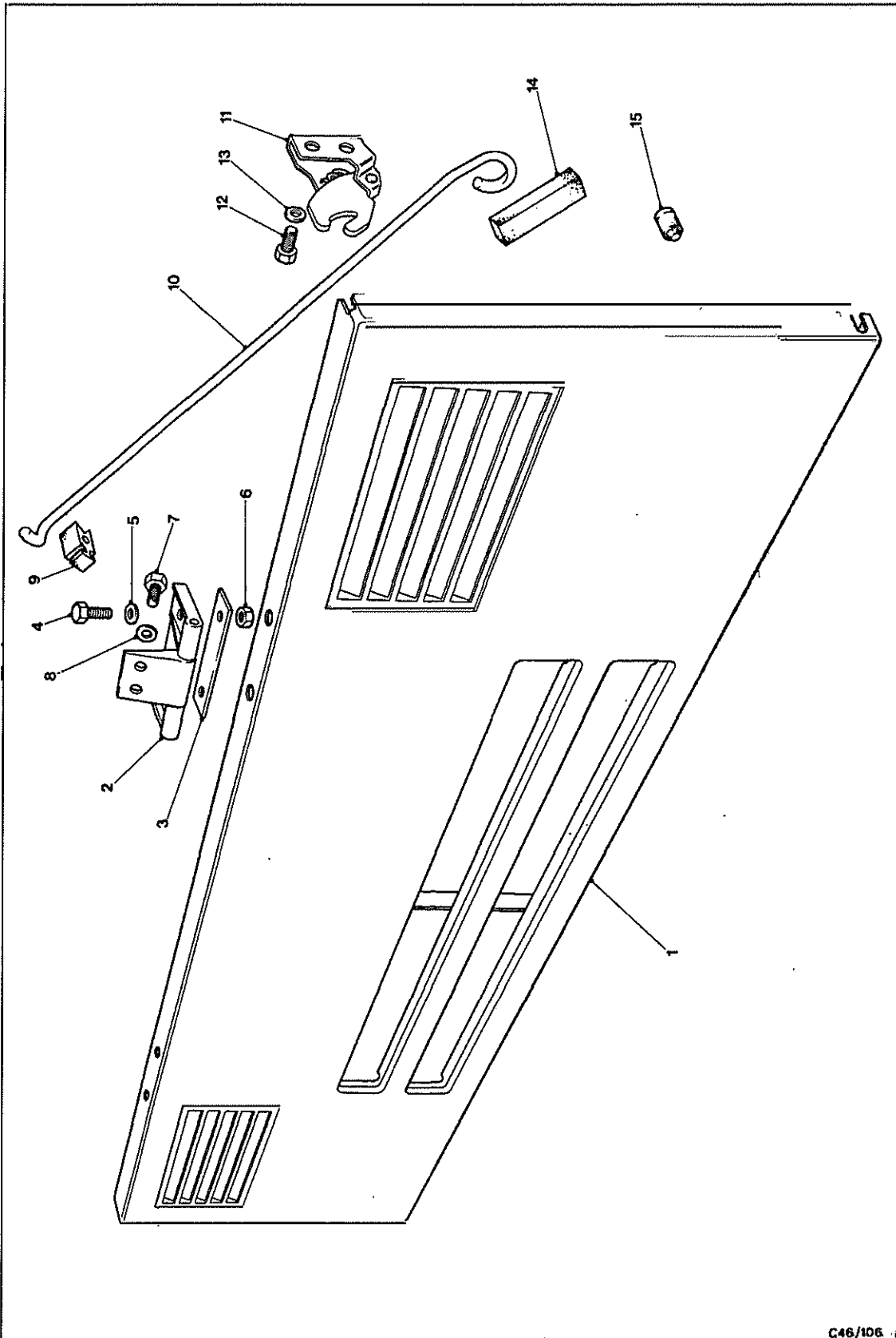


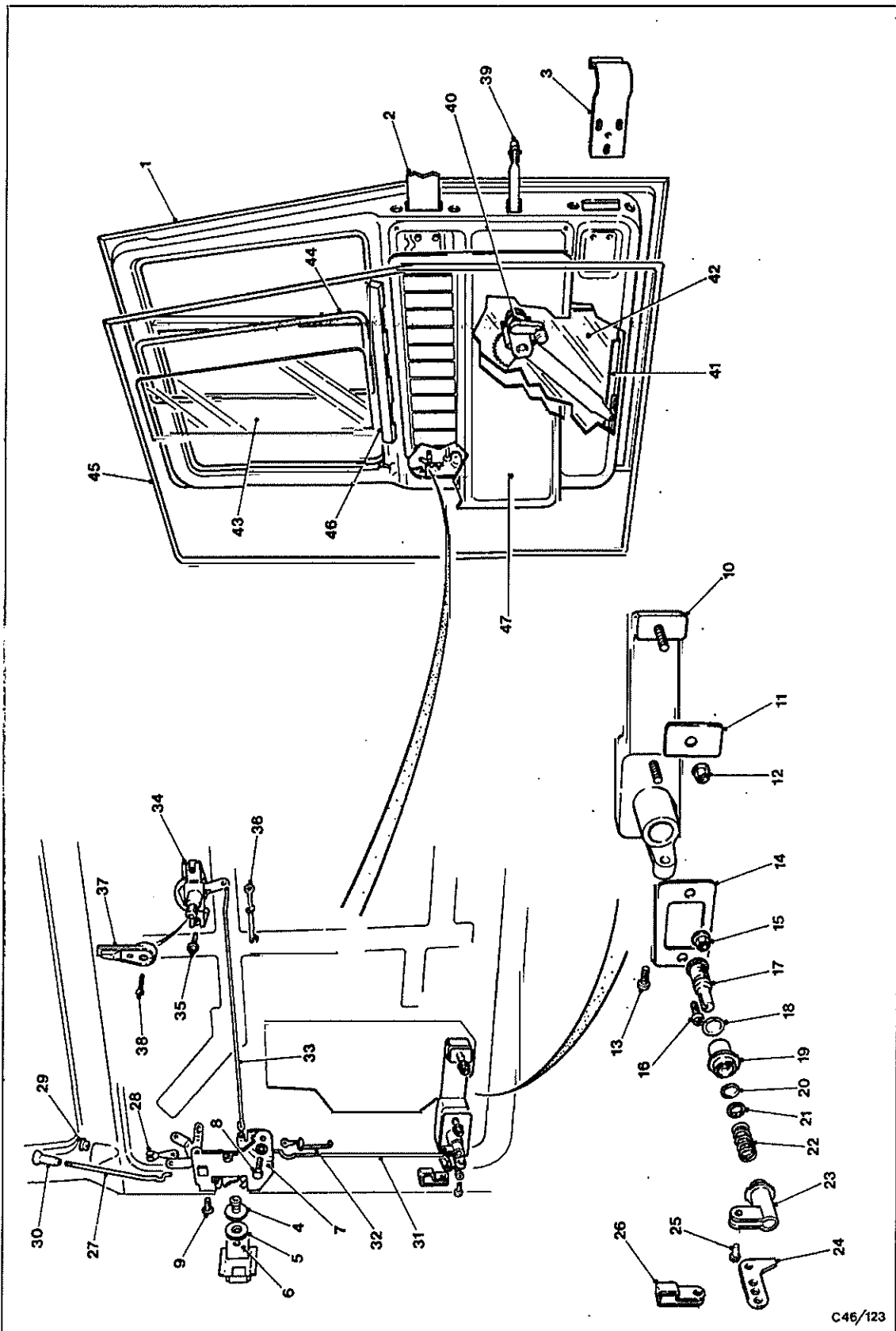
FIG ITEM	MAN CODE NAVY - N ARMY - A RAF - R	NATO STOCK NUMBER	ITEM NAME AND DESCRIPTION	PART NO./ DRAWING NO.	NO. OFF	ANNOTATIONS
Fig 2						
1	A 7BD	2510-99-747-8554	CAB - contd ..FRONT ACCESS PANEL -			
2	A 7BD	5340-99-747-8555	..PANEL ASSEMBLY, ACCESS; c/w reinforcement brackets	91022738	1	
3		NP	..HINGE, BUTT, nylon single action, 102 mm lg x 76 mm open w	91004853	2	
4	A G1	5305-99-122-5361	..PLATE; hinge to access panel	91005169	2	
5	A G1	5310-99-941-6654	..SCREW, MACHINE, ISO metric, steel, hex hd, 6 mm - 1 mm pitch x 20 mm lg)	
6	A G1	5310-99-122-5295	..WASHER, LOCK, steel, split helical ring, 1/4 in. id)AR	
9	A 7BD	2510-99-747-8558	..NUT, PLAIN, HEXAGON, ISO metric, steel, 6 mm - 1 mm pitch)	
10	A 7BD	2510-99-747-8557	..RETAINER, BONNET STAY	6356131	1	
11	A 7BD	5340-99-833-4255	..STAY, PANEL, ACCESS	91005054	1	
12	A 7BD	5340-99-833-4254	..CATCH ASSEMBLY: lh	9966219	1	
14	A 7BD	5340-99-833-4257	..CATCH ASSEMBLY: rh	9966218	1	
15	A 7BD	5340-99-833-4256	..SCREW, MACHINE		AR	
			..PAD, INSULATOR	91012100	4	
			..BUMPER, RUBBER	9964926	2	

331

FIG ITEM	MAN CODE NAVY - N ARMY - A RAF - R	NATO STOCK NUMBER	ITEM NAME AND DESCRIPTION	PART NO./ DRAWING NO.	NO. OFF	ANNOTATIONS
NI	A	7BD	2510-99-749-6547	CAB - contd ..RADIATOR GRILLE AND FITTINGS - ..GRILLE, RADIATOR: welded assy, painted	91022737	1
NI	A	7BD	2510-99-766-1619	..PANEL, RADIATOR GRILLE	91048208	1
NI	A	7BD	2510-99-749-6548	..CABLE, ARRESTOR, GRILLE, plastics coated steel, loop both ends, 296 mm lg	91043231	2
NI	A	7BD	5306-99-749-6549	..BOLT, SHOULDER, ISO metric, steel, hex hd, 6 mm x 16 mm o/a lg	91005037	2
NI	A	7BD	5306-99-749-6550	..BOLT, SHOULDER, ISO metric, steel, hex hd, 8 mm x 16 mm o/a lg	91005415	2
NI			NP	..BRACKET, HINGE: lh	91025037	1
NI			NP	..BRACKET, HINGE: rh	91025036	1
NI	A	7BD	5310-99-749-6552	..PUSH-ON NUT	2687122	4
NI			NP	..HINGE	91005194	2
NI	A	7BD	5340-99-749-6553	..BUMPER, RUBBER, 24 mm od x 36 mm o/a lg	91005175	2
NI	A	7BD	2510-99-749-6554	..LOCK ASSEMBLY, GRILLE: rh, comprises ratchet, plate, pawl and spring	9960988	1
NI	A	7BD	2510-99-749-6555	..LOCK ASSEMBLY, GRILLE: lh, comprises ratchet, plate, pawl and spring	9960989	1
NI	A	7BD	5315-99-749-6556	..PIN, STRAIGHT, HEADED, steel, flat chamfer hd, 5/16 in. dia x 1-5/8 in. lg	6375766	2
NI	A	7BD	5360-99-749-6557	..SPRING, HELICAL, TORSION, steel, 19 mm od x 27 mm o/a lg, rh	9962100	1
NI	A	7BD	5360-99-749-6558	..SPRING, HELICAL, TORSION, steel, 19 mm od x 27 mm o/a lg, lh	9962101	1
NI	A	7BD	2510-99-749-6559	..STRIKER, LOCK, GRILLE	9961332	2
NI	A	7BD	5310-99-137-5921	..WASHER, FLAT	6375019	4

)u/w winch
)vehicles
)only

232



C46/123

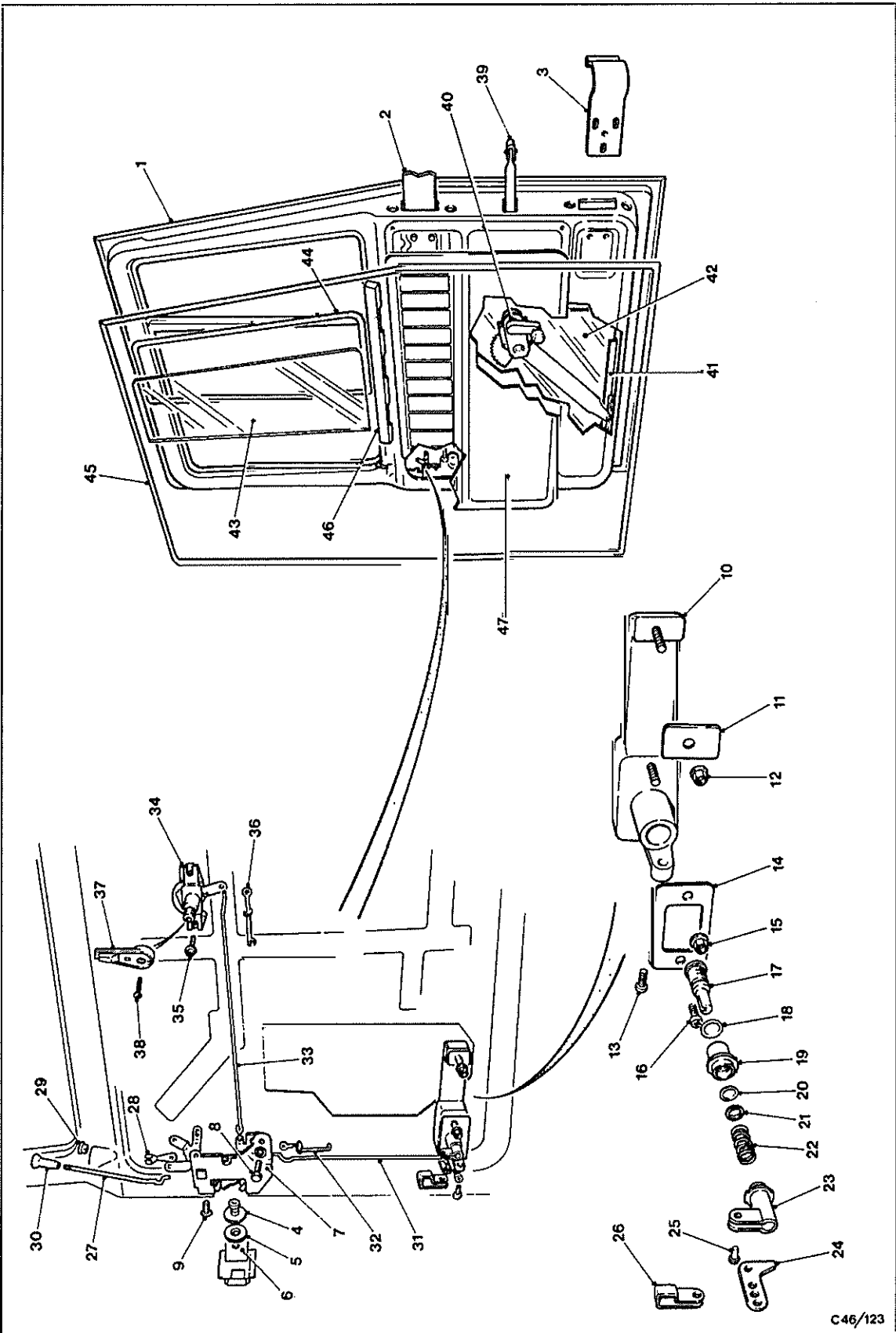
Chop 2-9

Fig 3 Cab door

334

FIG ITEM	MAN CODE NAVY - N ARMY - A RAF - R	NATO STOCK NUMBER	ITEM NAME AND DESCRIPTION	PART NO./ DRAWING NO.	NO. OFF	ANNOTATIONS
Fig 3			CAB - contd			
1	A	7BD	2510-99-833-4270	9963931	1	Lh
NI	A	7BD	2510-99-833-4269		1	Rh
2	A	7BD	2510-99-747-9640	2714649	1	Lh
NI	A	7BD	2510-99-749-1079	2714648	1	Rh
3	A	7BD	2510-99-749-2033	2714651	1	Lh
NI	A	7BD	2510-99-749-2031	2714650	1	Rh
NI	A	G1	5305-99-122-5367)
NI	A	7BD	5310-99-749-2034	7180158	12)Hinge to)door
NI	A	G1	5305-99-122-5366		12)
NI	A	G1	5310-99-759-2087		12)Hinge to)door
4-6	A	6MT13	2540-99-835-0643	630107068	2)pillar
5	A	G1	5310-99-764-3246			
6	A	7BD	2510-99-749-2035			AR
7	A	7BD	2540-99-835-0926	91055803	1	
NI	A	7BD	2540-99-835-0925	7997511	1	Lh
8	A	7BD	5305-99-137-6571	7997570	1	Rh
9	A	G1	5305-99-630-0093	11074001	4	
NI	A	7BD	5310-99-137-6213	11035613	2	
10-25	A	7BD	2540-99-838-4198			
11	A	7BD	2540-99-749-2043	76209-02-29	1	
12	A	G1	5310-99-759-2088	2690856	1	
14	A	7BD	2540-99-749-2044			
15	A	G1	5310-99-759-2088	2690857	1	
16	A	7BD	2540-99-838-4197	W90918-05-07	1	
17-21	A	7BD	2540-99-833-4886	91032994	1	
22	A	7BD	2540-99-838-4199	91032995	1	
23-25	A	7BD	2540-99-838-4196	W95058-02	1	
27	A	7BD	2540-99-747-9647	9963552	2	
29	A	7BD	5340-99-822-5481	6372048	2	
30	A	7BD	2540-99-822-5482	6387309	2	
31	A	7BD	2540-99-749-2038			
NI	A	7BD	2510-99-749-2039	91073073	2	
NI	A	7BD	5340-99-747-9648	6354860	2	
32	A	7BD	5340-99-833-0030	7205337	2	
33	A	7BD	2540-99-749-2037	6310850	2	
34	A	7BD	2540-99-833-4282	9963521	2	
NI	A	7BD	2540-99-833-4281	7997055	1	Lh
35	A	G1	5305-99-977-9996	7997054	1	Rh
					4	

325

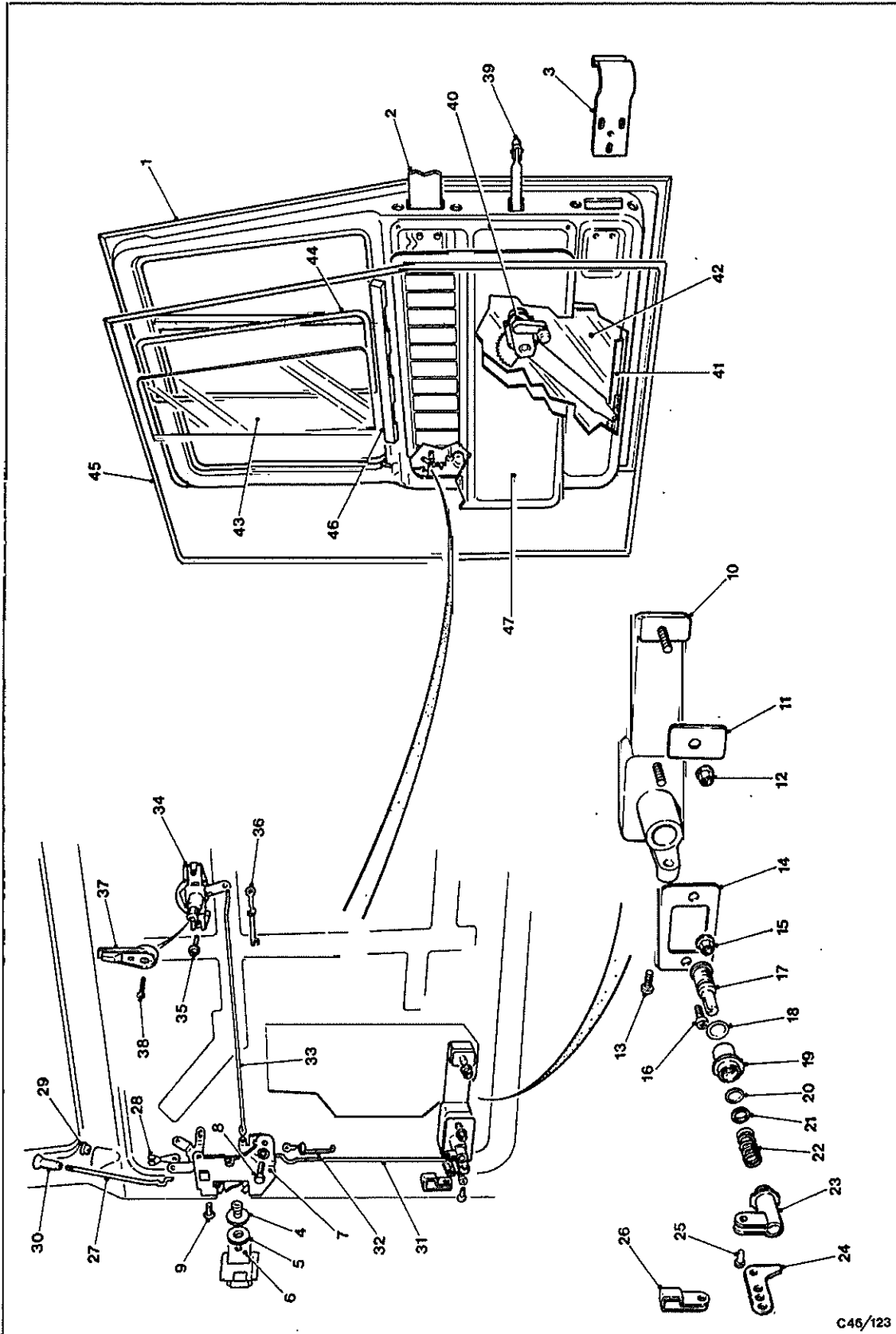


C46/123

Fig 3 Cab door

FIG ITEM	MAN CODE NAVY - N ARMY - A RAF - R	NATO STOCK NUMBER	ITEM NAME AND DESCRIPTION	PART NO./ DRAWING NO.	NO. OFF	ANNOTATIONS
Fig 3			CAB - contd			
NI 36	A G1	5310-99-122-3032 NP	..DOOR ASSEMBLIES: lh and rh - contd		4	
			..WASHER, FLAT	4576655	2	
			..CLIP, ANTI-RATTLE: inside door lock to latch	91064280	2	
37 NI NI	A 7BD A 7BD A 7BD	2540-99-836-6684 5340-99-827-4445 2540-99-749-2041	..HANDLE ASSEMBLY, DOOR	8844636	2	
			..GRIP, HANDLE			
			..GASKET, vulcanised fibre, 21/32 in. id x 1-1/2 in. od x 3/32 in. thk	6387266	2	
38 39	A 7BD A 7BD	5305-99-139-2489 2540-99-747-9654	..SCREW, SELF-LOCKING	9907636	2	
			..LINK ASSEMBLY, DOOR CHECK; c/w friction pads	2717654	2	
NI NI NI NI 40	A G1 A G1 A G1 A 7BD	5305-99-122-5365 5310-99-122-6475 5320-99-759-2089 2540-99-833-4274	..SCREW, MACHINE		4)Link to)panel
			..WASHER, FLAT		4	
			..RIVET, TUBULAR		2	
NI	A 7BD	2540-99-833-4273	..REGULATOR, VEHICLE WINDOW, HAND OPERATED	7978487	1	Lh
			..REGULATOR, VEHICLE WINDOW, HAND OPERATED	7978486	1	Rh
NI	A 7BD	2540-99-749-2056	..REGULATORS -			
			...HANDLE, WINDOW REGULATOR; c/w knob	91064281	1	
NI NI NI NI NI NI	A 7BD A 7BD A 7BD A G1 A 7BD	2540-99-833-4275 2540-99-827-4448 5305-99-139-2489 5310-99-636-2987 2540-99-749-2055	...DISC, WEARING	8820551	1	
			...INSERT, REGULATOR HANDLE	7207429	1	
			...SCREW, SELF-LOCKING	9907636	1)Handle to)regulator
			...WASHER, LOCK		1	
			...ROLLER, WINDOW REGULATOR, nylon, 6.5 mm id x 17.3 mm od x 13 mm lg	7960427	1	
NI NI 41	A G1 A 7BD A 7BD	5305-99-941-0510 5310-99-137-6651 2540-99-747-9658	..SCREW, MACHINE	11011885	8)Regulator)mtg
			..WASHER, LOCK		8	
NI	A 7BD	2540-99-749-2048	..CHANNEL ASSEMBLY, VEHICLE, lower, 596.50 mm lg	9958543	1	Lh
			..CHANNEL ASSEMBLY, VEHICLE WINDOW, lower, 596.50 mm lg	9958542	1	Rh
42	A 7BD	2510-99-833-4272	..WINDOW PANEL, VEHICULAR	91064498	2	
NI NI NI	A 7BD A 7BD A 7BD	2540-99-749-2050 2540-99-749-2049 2540-99-749-2051	..CHANNEL, LIFT, VEHICLE WINDOW	91000003	1	Lh
			..CHANNEL, LIFT, VEHICLE WINDOW	91000002	1	Rh
			..CHANNEL ASSEMBLY, VEHICLE DOOR: door division, 1100 mm o/a lg	9961251	1	Lh
NI	A 7BD	2540-99-747-9659	..CHANNEL ASSEMBLY, VEHICLE DOOR: door division, 1100 mm o/a lg	9961250	1	Rh
NI	A 7BD	2540-99-749-2052	..CHANNEL, VEHICLE DOOR: glass run lower, 666 mm lg	91003433	2	
NI	A 7BD	2540-99-747-9660	..CHANNEL, VEHICLE DOOR: glass run front, 994 mm lg	9960995	2	
NI NI NI NI NI NI	A G1 A G1 A G1 A G1 A G1	5310-99-759-2082 5310-99-122-5294 5305-99-122-4165 5305-99-135-0428 5305-99-764-3247	..NUT, SHEET SPRING		2)
			..NUT, PLAIN, HEXAGON		4	
			..SCREW, TAPPING, THREAD FORMING		2)
			..SCREW, MACHINE		4	
			..SCREW, SELF-LOCKING, ISO metric, steel, hex hd, 5 mm x 10 mm lg		6)Channel)mtg
			..WASHER, FLAT		6	
NI NI NI NI NI NI	A G1 A G1 A G1 A 7BD A 7BD A 7BD	5310-99-756-9561 5310-99-636-2987 5310-99-122-3032 2510-99-833-4271 2510-99-749-2054 5330-99-833-4278	..WASHER, LOCK		6)
			..WASHER, FLAT		4	
			..BUFFER, GLASS DROP, DOOR	9959587	2	
			..SEAL, DOOR DROP GLASS, 616 mm lg	9959401	2	
			..WEATHERSTRIP, DROP GLASS, DOOR	91024655	2	
43	A 7BD	2510-99-749-2047	..QUARTER LIGHT, VEHICULAR, glass, 286 mm w x 597 mm h x 5 mm thk	91064495	2	
44	A 7BD	5330-99-747-9657	..SEAL, RUBBER, SPECIAL SHAPED SECTION quarter light mtg	91028941	1	Lh

337



C46/123

Fig 3 Cab door

ARMY EQUIPMENT
SUPPORT PUBLICATIONS

2320-L-701-711

FIG ITEM	MAN CODE NAVY - N ARMY - A RAF - R	NATO STOCK NUMBER	ITEM NAME AND DESCRIPTION	PART NO./ DRAWING NO.	NO. OFF	ANNOTATIONS
Fig 3			CAB - contd ..DOOR ASSEMBLIES: lh and rh - contd			
NI	A	7BD	5330-99-749-2046 ..SEAL, RUBBER, SPECIAL SHAPED SECTION: quarter light mtg	91028940	1	Rh
45	A	7BD	5330-99-833-4277 ..RUBBER, SPECIAL SHAPED SECTION	9959385	1	Lh
NI	A	7BD	5330-99-833-4276 ..RUBBER, SPECIAL SHAPED SECTION	9959384	1	Rh
NI	A	7BD	2540-99-749-2057 ..FINISHER STRIP, VEHICULAR, steel/plastics, black, 3650 mm lg	91051348	2	
46	A	7BD	2510-99-749-2036 ..PULL ASSEMBLY, DOOR VEHICULAR; c/w 2 rails and 4 brackets	91006599	2	
NI	A	7BD	5310-99-760-0808 ..NUT, EXTENDED WASHER, HEXAGON	11074931	8	
47		NP	..FOUNDATION ASSEMBLY TRIM	9968426	1	Rh
NI		NP	..FOUNDATION ASSEMBLY TRIM	9968427	1	Lh
NI	A	7BD	5325-99-752-5162 ..FASTENER, SPRING TENSION, TRIM, plastics, 9 mm body dia, 17 mm head dia, 14 mm o/a lg	9961189	12	

339

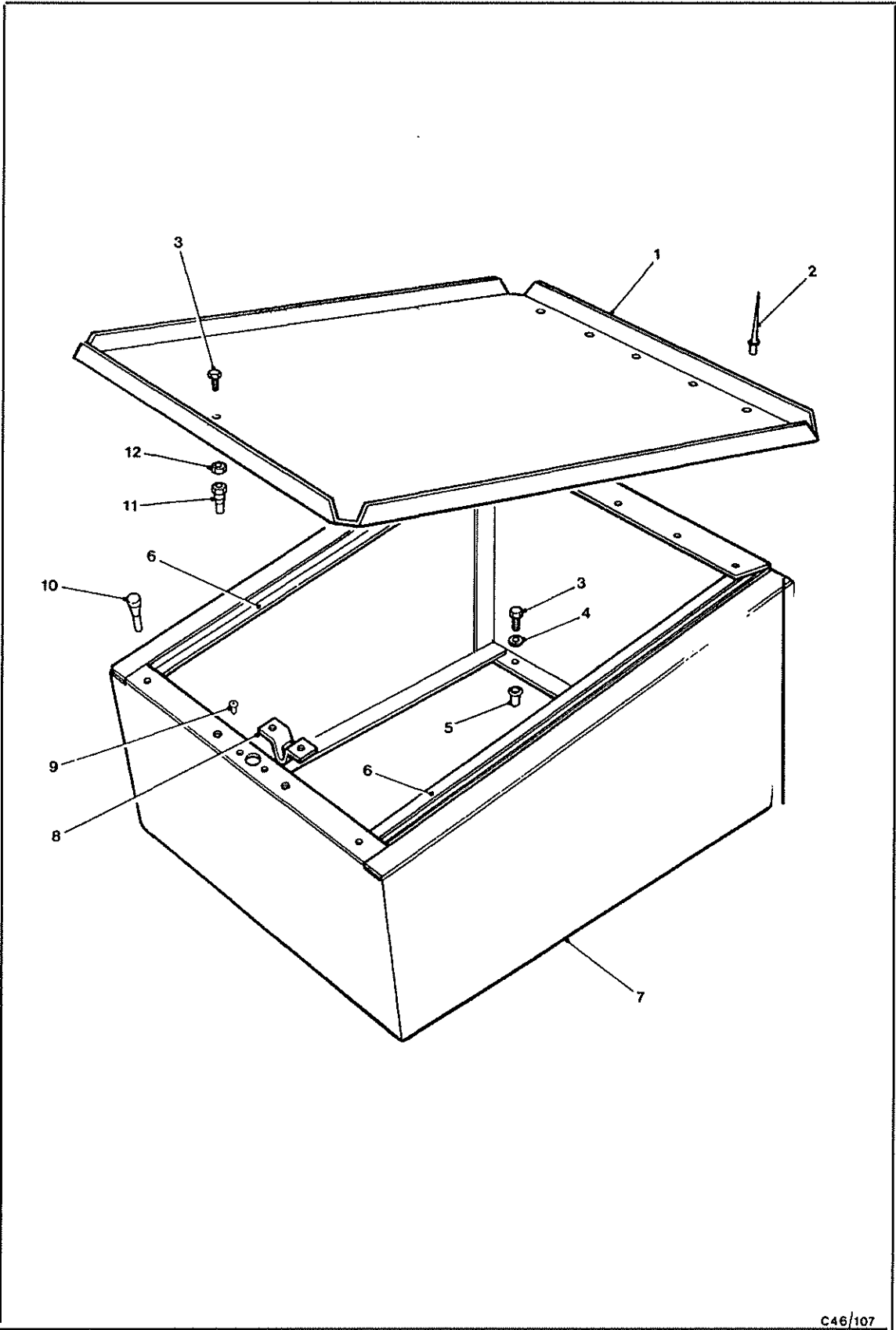


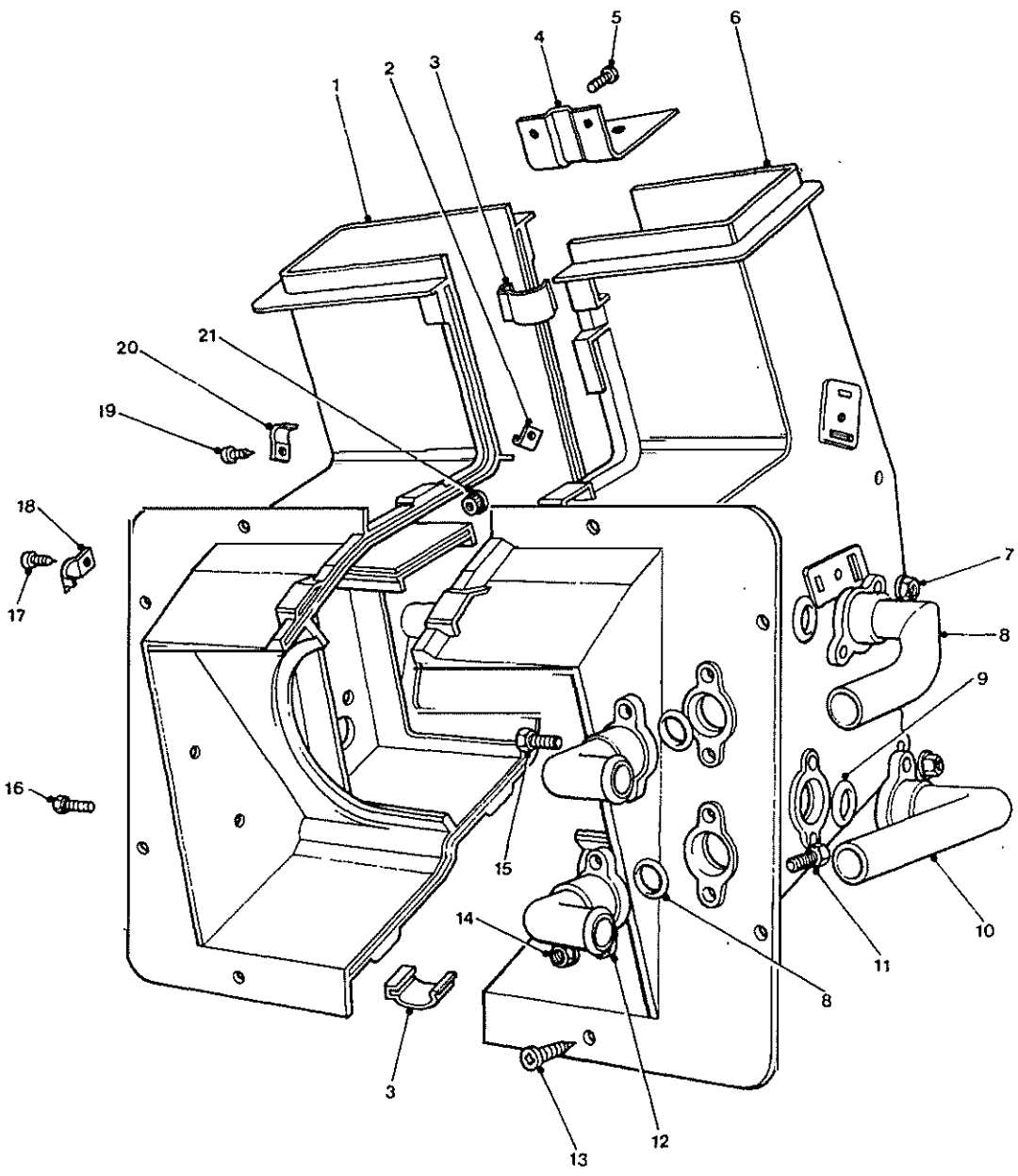
Fig 4 Cab platform box

340

FIG ITEM	MAN CODE NAVY - N ARMY - A RAF - R	NATO STOCK NUMBER	ITEM NAME AND DESCRIPTION	PART NO./ DRAWING NO.	NO. OFF	ANNOTATIONS
Fig 4						
1		NP	CAB - contd ..CAB PLATFORM BOX -			
2	A	G1 5320-99-130-2251	..PLATFORM BOX	91027259	1	
3	A	G1 5305-99-122-5358	..RIVET, BLIND		5	
4	A	G1 5310-99-122-3032	..SCREW, MACHINE		4	
5	A	7BD 5310-99-747-8562	..WASHER, FLAT		4	
7	A	7BD 2510-99-747-8559	..NUT, PLAIN, CLENCH, ISO metric, steel, rd, 5 mm	91051174	4	
8	A	7BD 5340-99-747-8561	..BOX ASSEMBLY, CAB PLATFORM, steel; c/whinge, 394 mm lg x 314 mm w x 172 mm h	91027402	1	
9	A	G1 5320-99-138-2857	..CLIP, SPRING, LATCH, steel, 5mm lg x 18 mm w, 2 mtg holes	91027473	1	
10	A	7BD 5340-99-747-8560	..RIVET, BLEND		2	
11	A	7BD 5307-99-747-8566	..BUMPER, RUBBER, 15 mm dia x 25 mm h	8972581	4	
NI	A	7BD 5325-99-747-8567	..STUD, BALL, steel, 2BA female thd, 25 mm o/a lg	91027472	1	
			..FASTENER, SPRING TENSION, PANEL, plastics, 12 mm od x 15 mm lg	9962042	6	

341

342

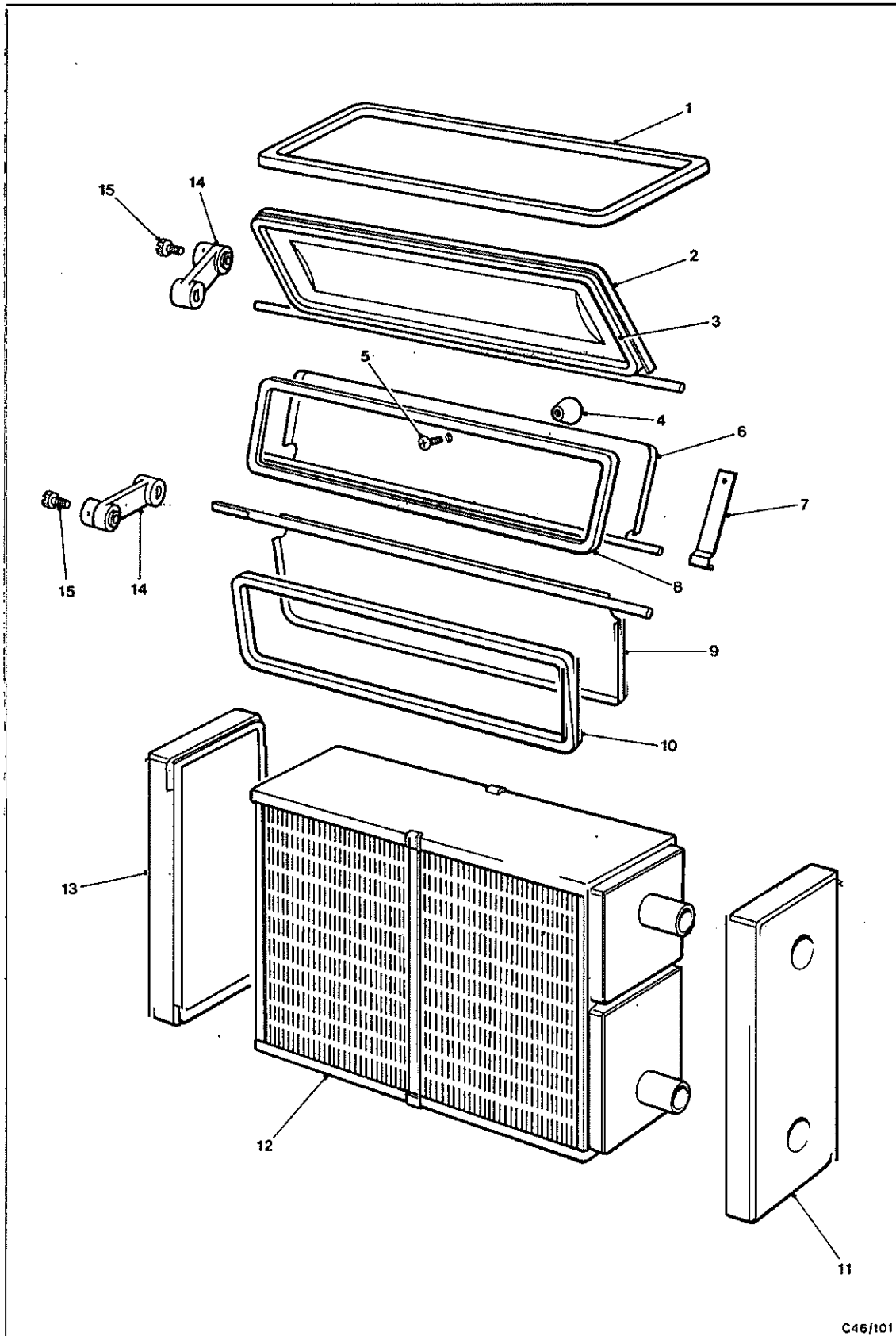


C46/99

Fig 5 Heater casing and connectors

FIG ITEM	MAN CODE NAVY - N ARMY - A RAF - R	NATO STOCK NUMBER	ITEM NAME AND DESCRIPTION	PART NO./ DRAWING NO.	NO. OFF	ANNOTATIONS
Fig 5			CAB - contd			
1	A	7BD	2590-99-132-0725	9959050	2	
2			NP	7134809	AR	
3	A	7BD	5340-99-137-1993	8832076	14	
4			NP	9959768	2	
5	A				4	
6	A	7BD	2590-99-132-0726	9959051	2	
7	A	7BD	5310-99-760-0808	11074931	AR	
8	A	7BD	2540-99-749-3469	9968258	1	Rh
NI	A	7BD	2540-99-749-3470	9968259	1	Lh
9	A	7BD	5330-99-821-7538	8836032	8	
10	A	7BD	2540-99-749-2066	9960661	2	
11	A	G1	5305-99-122-5356		16	
12	A	7BD	2540-99-749-2065	9960660	4	
14	A	7BD	5310-99-760-0808	11074931		
15	A	G1	5305-99-122-5356			
17			NP	11041733	AR	
18			NP	9960998		
19	A	7BD	5310-99-749-2061	3466277		
NI	A	G1	5305-99-120-5486		2	
NI	A	G1	5305-99-122-5361		2	
NI	A	7BD	2540-99-749-3475	2717879	2	
NI	A	7BD	5340-99-749-3502	91007583	4	
NI	A	7BD	5340-99-749-3503	91023893	2	
NI	A	7BD	5340-99-825-8738	7098073	2	

343



3144

Fig 6 H at r radiat rands als

FIG ITEM	MAN CODE NAVY - N ARMY - A RAF - R	NATO STOCK NUMBER	ITEM NAME AND DESCRIPTION	PART NO./ DRAWING NO.	NO. OFF	ANNOTATIONS
Fig 6						
1	A 7BD	2540-99-749-3476	CAB - contd ..CAB HEATER, RADIATOR AND SEALS - ..SEAL, HEATER, rubber, 238 mm lg x 9 mm w, 12 mm x 8 mm cross sect	2717880	1	
2	A 7BD	2540-99-749-3479	..FLAP ASSEMBLY, HEATER, c/w pivot shaft and seal	9960869	1	Lh
NI	A 7BD	2540-99-749-3478	..FLAP ASSEMBLY, HEATER; c/w pivot shaft and seal	91012177	1	Rh
3	A 7BD	2540-99-749-3477	..SEAL, HEATER, SCREEN FLAP, rubber, 196 mm lg x 72 mm w, 5 mm x 6 mm cross sect	2717881	2	
4	A 7BD	5355-99-749-3499	..KNOB, round, female thd	91010879	2	
5	A G1	5305-99-135-0421	..SCREW, MACHINE		2	
6	A 7BD	2540-99-749-3500	..FLAP ASSEMBLY, HEATER; c/w pivot shaft, seal and knob	91007677	2	
7	A 7BD	5340-99-749-3502	..CLIP, SPRING, TENSION, steel, 48 mm lg x 10 mm w, 1 mtg hole	91007583	2	
8	A 7BD	2540-99-749-3475	..SEAL, HEATER, CAB FLAP, rubber, 196 mm lg x 47 mm w, 5 mm x 6mm cross sect	2717879	2	
9	A 7BD	2540-99-749-3481	..FLAP ASSEMBLY, HEATER; c/w pivot shaft and seal	9960865	1	Lh
NI	A 7BD	2540-99-749-3480	..FLAP ASSEMBLY, HEATER; c/w pivot shaft and seal	91012175	1	Rh
10	A 7BD	2540-99-749-3475	..SEAL, HEATER, CAB FLAP, rubber, 196 mm lg x 47 mm w, 5 mm x 6mm cross sect	2717879	2	
11	A 7BD	2540-99-749-3473	..INSULATOR, HEATER, expanded polystyrene, 161 mm lg x 60 mm w x 16 mm thk, 2 holes 18 mm dia	91039960	1	
12	A 7BD	2540-99-833-4287	..RADIATOR, VEHICLE HEATER	9960071	1	
13	A 7BD	2540-99-749-3474	..INSULATOR, HEATER, expanded polystyrene, 161 mm lg x 60 mm w x 16 mm thk	91039961	1	
14	A 7BD	NP	..LEVER ASSEMBLY	9963843	2	
NI	A 7BD	5340-99-749-3503	..CLIP, SPRING TENSION, steel, 90 deg bend, 1 mtg hole	91023893	2	
NI	A 7BD	5340-99-825-8738	..CLIP, SPRING TENSION	7098073	2	

345

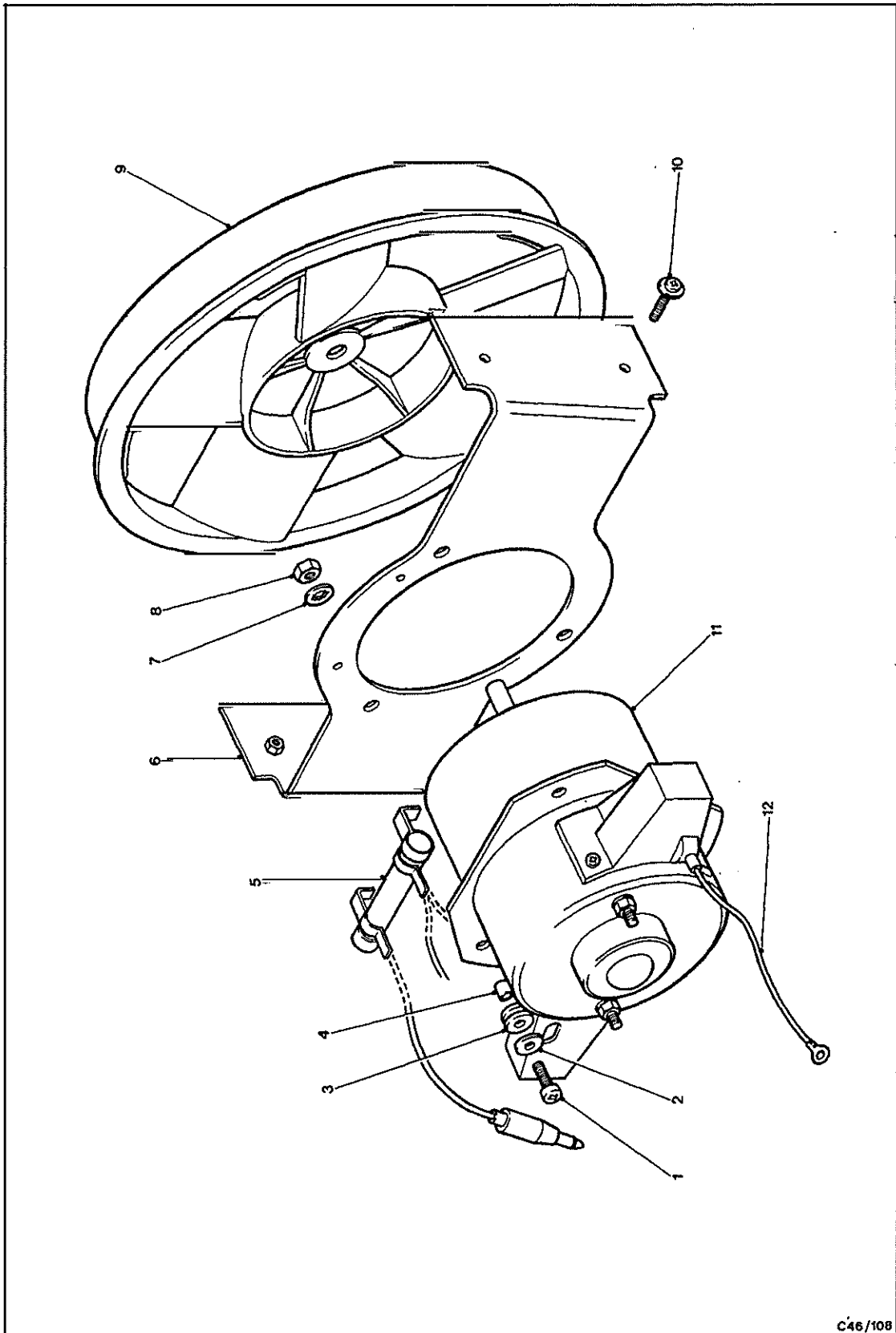
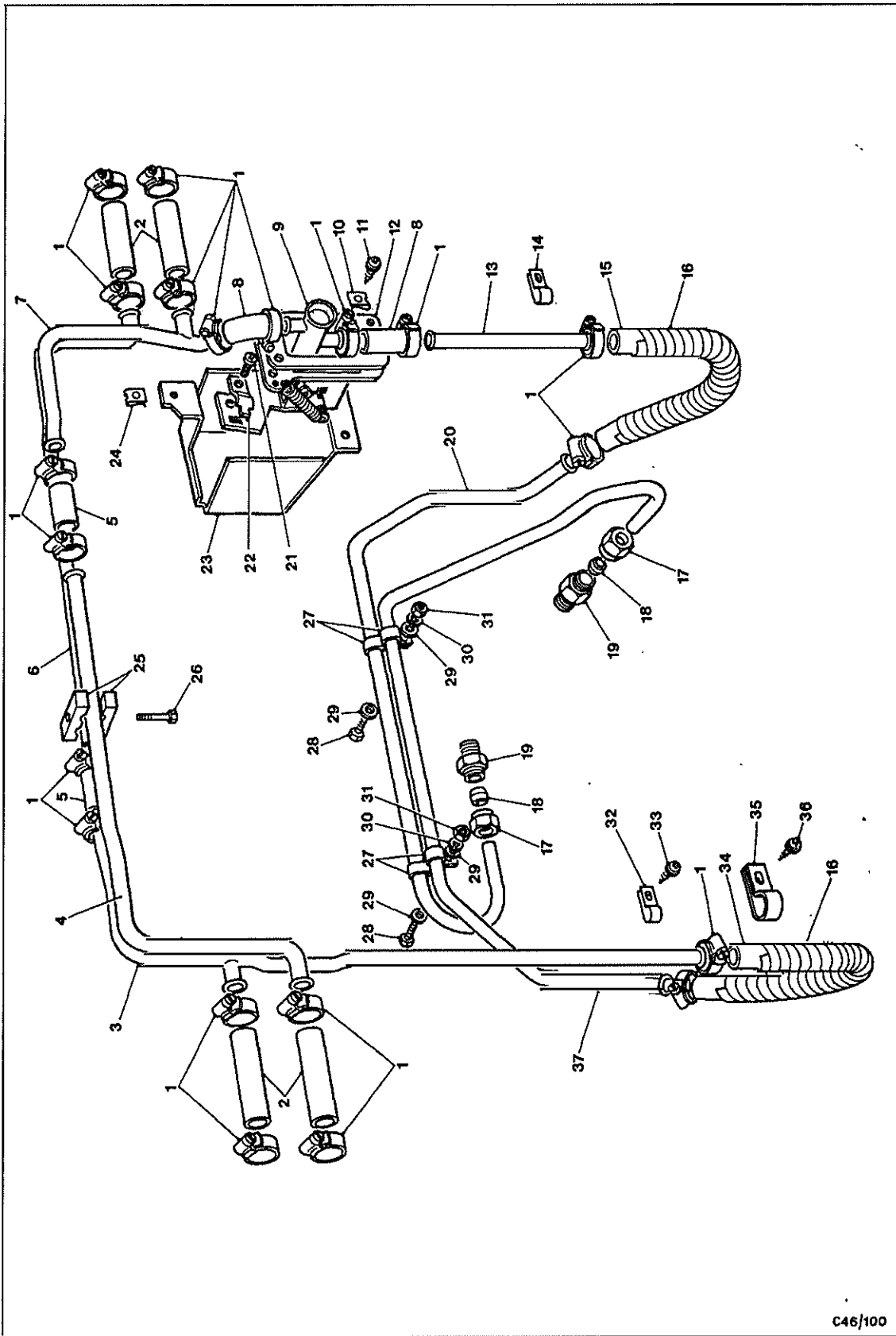


Fig7 H at r motor and fan

FIG ITEM	MAN CODE NAVY - N ARMY - A RAF - R	NATO STOCK NUMBER	ITEM NAME AND DESCRIPTION	PART NO./ DRAWING NO.	NO. OFF	ANNOTATIONS
Fig 7						
3	A	6MT4	5325-99-803-6994	CAB - contd .CAB HEATER, MOTOR AND FAN -		
4			NP	..GROMMET, NONMETALLIC	CH78121	6
5			NP	..DISTANCE PIECE	8845504	6
6			NP	..RESISTOR ASSEMBLY	91023161	2
9	A	6MT1	4140-99-833-4286	..BRACKET ..IMPELLER, FAN, AXIAL, plastics, 7-1/4 in. od x 1/4 in. id x 1-1/4 in. w, 5 blades	91008391	2
11	A	7BD	2540-99-836-6687	..MOTOR ASSEMBLY	SHF3796	2
12			NP	..TERMINAL	91022255 7063323	2 2

347

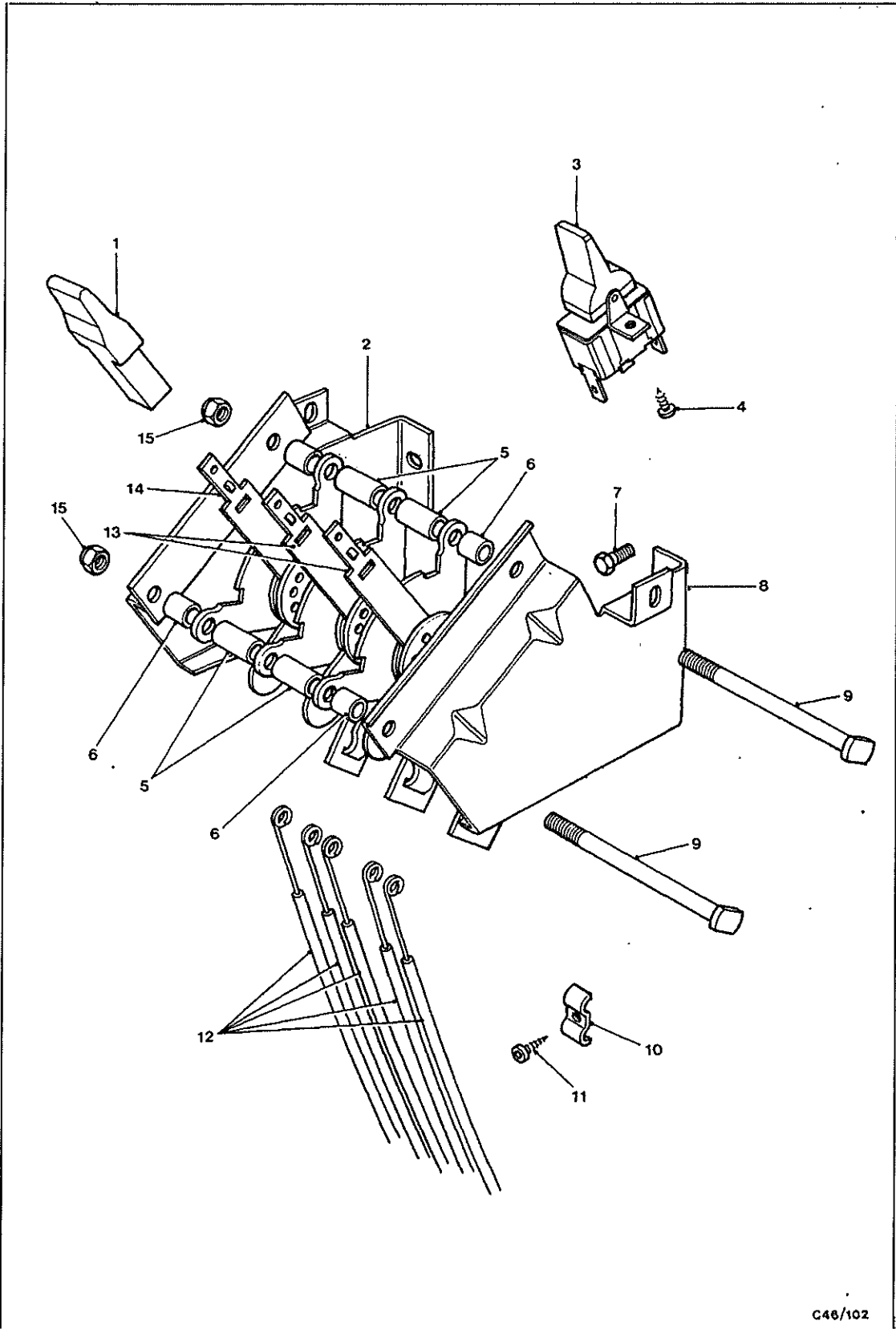


248

Fig 8 H at r pipes and hoses

FIG ITEM	MAN CODE NAVY - N ARMY - A RAF - R	NATO STOCK NUMBER	ITEM NAME AND DESCRIPTION	PART NO./ DRAWING NO.	NO. OFF	ANNOTATIONS
Fig 8						
1	A	6MT1	CAB - contd			
2	A	7BD	..HEATER PIPES AND HOSES - ..CLAMP, HOSE, 22 mm to 30 mm id			
4	A	7BD	..HOSE, RUBBER, 16 mm id x 10 mm lg	91031688	AR	
5	A	7BD	..PIPE, HEATER, steel, 15 mm od x 704 mm o/a lg	9958090	1	
6	A	7BD	..HOSE, RUBBER, 16 mm id x 10 mm lg	91031688	AR	
7	A	7BD	..PIPE, HEATER, steel, 15 mm od x 704 mm o/a lg	9958070	1	
8	A	7BD	..PIPE ASSEMBLY, HEATER, steel, 15 mm od x 220 mm o/a lg, 3 connections	91001259	1	
9	A	7BD	..HOSE, RUBBER, 16 mm id x 10 mm lg	91031688	AR	
12	A	7BD	..VALVE, TEMPERATURE REGULATING	91011468	1	
13	A	7BD	..GASKET, foam rubber, 95 mm lg x 52 mm w x 6 mm thk, 3 mtg holes 6 mm dia	91011264	1	
15	A	7BD	..PIPE, HEATER, steel, 15 mm od x 290 mm lg	91001427	1	
17	A	G1	..HOSE, RUBBER	6316377	AR	Supply pipe
18	A	7BD	..NUT, SLEEVE		2	
19	A	7BD	..SLEEVE	11054309	4	
20	A	7BD	..ADAPTOR, STRAIGHT, PIPE, steel, M22-1.5 male thd to 3/4 in. NPTF male x 48 mm o/a lg	11499252	2	
21	A	G1	..PIPE, HEATER, steel, 15 mm od x 1196 mm o/a lg	91082439	1	
22	A	7BD	..SCREW, MACHINE	11054194	1	
23	A	7BD	..STRAP, RETAINING, steel, 3 mm grip dia	9960998	1	
25	A	7BD	..COVER, WATER VALVE	91011269	1	
26	A	7BD	..STRAP, RETAINING, nylon, double, 5/8 in. grip dia, 2-1/8 in. lg x 3/4 in. w x 5/8 in. thk	2685708	4	
27	A	7BD	..BOLT, MACHINE		2	
29	A	7BD	..CLAMP, LOOP	9965904	4	
31	A	G1	..WASHER, FLAT	11035613	4	
34	A	G1	..NUT, PLAIN, HEXAGON		2	
35	A	7BD	..HOSE, RUBBER	6316377	AR	Return pipe
37	A	7BD	..CLAMP, LOOP, steel, 15 mm grip dia, 1 mtg hole	91054415	2	
NI	A	7BD	..PIPE, HEATER, steel, 15 mm od x 984 mm o/a lg	91082440	1	
NI	A	7BD	..HOSE, RUBBER	91031688	AR	Cut to required lg
NI	A	7BD	..BOOT, DUST AND MOISTURE SEAL	6355090	3	
NI	A	7BD	..CLIP, SPRING TENEISON, plastics, 26 mm lg x 10 mm w x 1.5 mm thk	91011556	4	

143

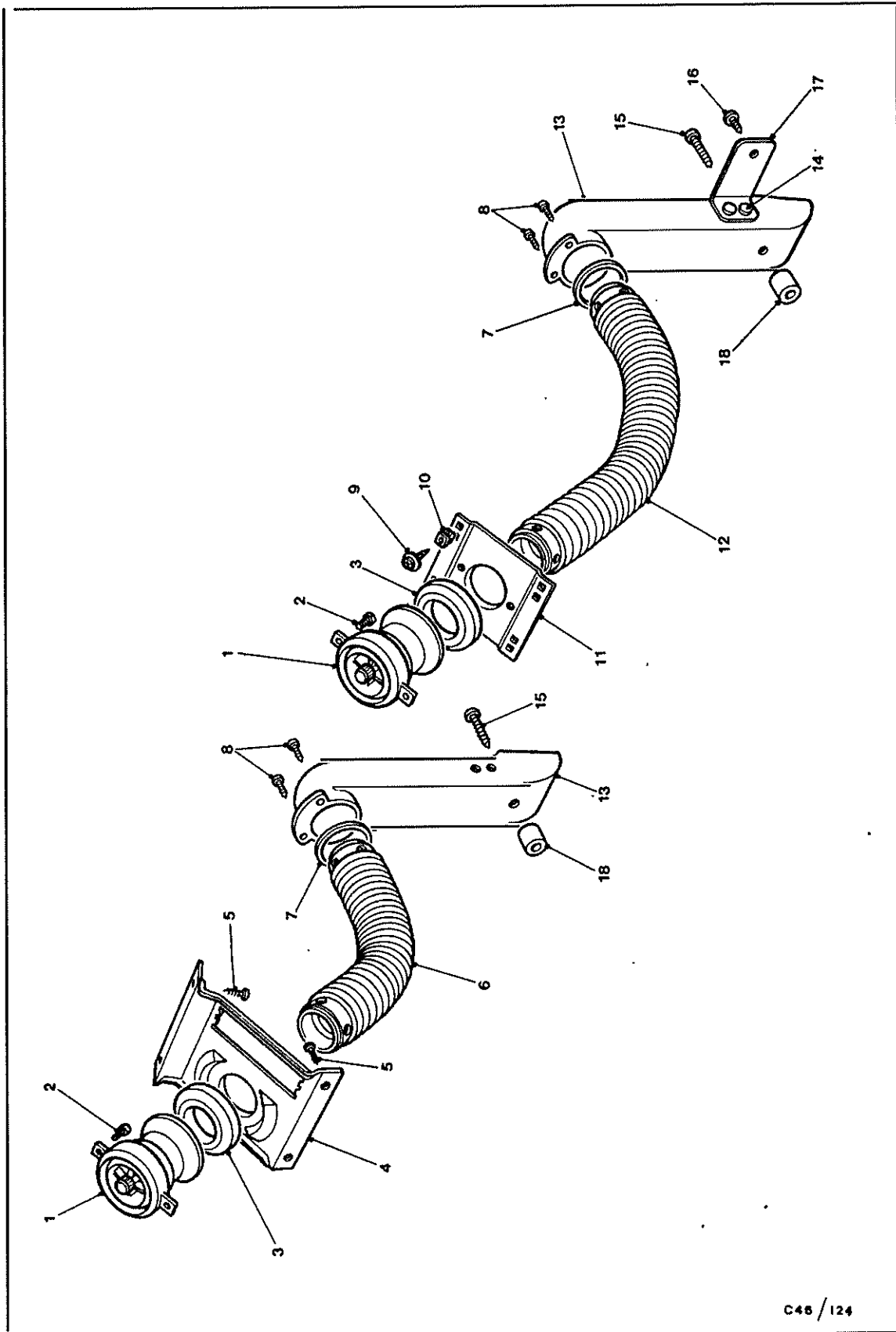


350

Fig 9 H at r controls

FIG ITEM	MAN CODE NAVY - N ARMY - A RAF - R	NATO STOCK NUMBER	ITEM NAME AND DESCRIPTION	PART NO./ DRAWING NO.	NO. OFF	ANNOTATIONS
Fig 9						
1	A	7BD	5355-99-833-4290	CAB - contd ..HEATER CONTROLS - ..KNOB	9961136	3
2			NP	..BRACKET, CONTROLS SUPPORT	91005941	1
3				..SWITCH	2716406	1
4	A	G1	5305-99-803-2960	..SCREW, TAPPING, THREAD FORMING		2
NI	A	7BD	2540-99-749-3489	..SIGN, SELF-ADHESIVE; indicator for switch	91032419	1
5			NP	..SPACER, SPIGOT, 22 mm lg	2717972	2
6			NP	..SPACER, SPIGOT, 8 mm lg	2717970	2
7	A			..SCREW, MACHINE		4
NI	A			..NUT		4
8			NP	..BRACKET, CONTROLS SUPPORT	91005940	1 Rh
NI			NP	..BRACKET, CONTROLS SUPPORT	91005941	1 Lh
9	A	7BD	2540-99-749-3488	..SPIGOT, HEATER CONTROL, steel, 4 mm dia, M4-0.7 mm thd one end flat hd other end, 74 mm o/a lg	2717971	2
10	A	7BD	5340-99-874-0910	..STRAP, RETAINING	7126027	2
11	A	G1	5305-99-803-2960	..SCREW, TAPPING, THREAD FORMING		2
12	A	7BD	2540-99-833-4291	..CABLE ASSEMBLY, CONTROL, 1451 mm o/a lg	91010242	AR 2 Cut into 5 lengths
13	A	7BD	2540-99-749-3483	..LEVER ASSEMBLY, HEATER CONTROL	91009141	2
14	A	7BD	2540-99-749-3482	..LEVER ASSEMBLY, HEATER CONTROL	91009142	1
15	A	G1	5310-99-122-5643	..NUT, SELF-LOCKING, HEXAGON		2
NI	A	7BD	5340-99-752-5160	..STRAP, RETAINING, steel, 3 mm grip rod	9960998	4
NI	A	7BD	5310-99-137-1988	..NUT, SHEET SPRING	7134809	4
NI	A	G1	5305-99-805-6811	..SCREW, TAPPING, THREAD FORMING		4

351

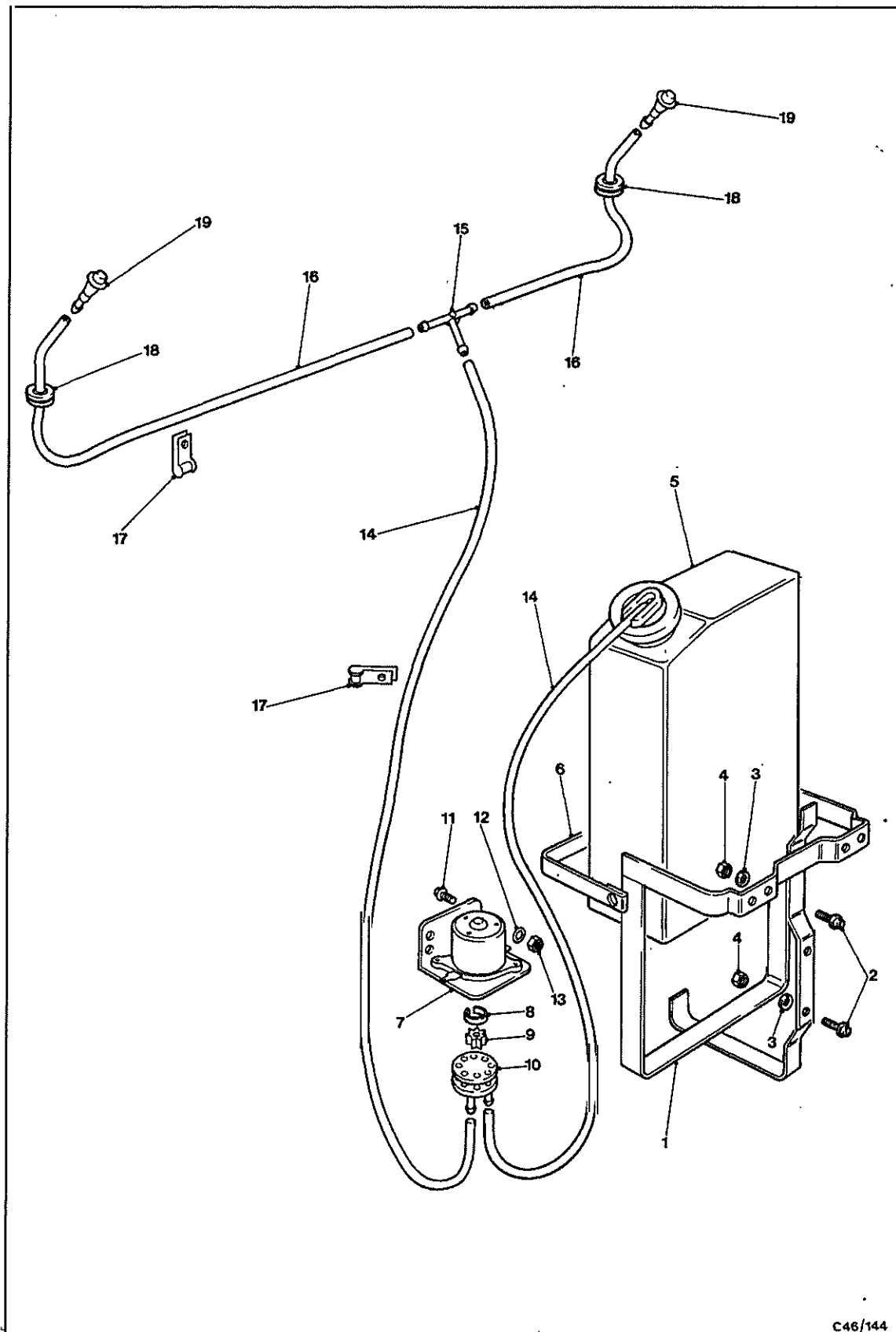


352

Fig 10 Fascia ventilator

FIG ITEM	MAN CODE NAVY - N ARMY - A RAF - R	NATO STOCK NUMBER	ITEM NAME AND DESCRIPTION	PART NO./ DRAWING NO.	NO. OFF	ANNOTATIONS
Fig 10						
1	A 7BD	2540-99-749-3504	CAB - contd ..FACIA VENTILIATOR - ..VENTILIATOR ASSEMBLY, VEHICULAR, plastics, 103 mm od x 93 mm lg; w/int securing lugs	2718737	2	
2	A G1	5305-99-135-0423	..SCREW, MACHINE, ISO metric, steel, pan hd, slot drive, 4 mm x 19 mm lg		2	
NI 3	A G1 A 7BD	5310-99-122-3031 5330-99-749-3505	..WASHER, FLAT ..SEAL RING, RUBBER, 76 mm id x 113 mm od x 14 mm thk, self- adhesive 1 side	2717876 9959983	2 1	
4		NP	..BRACKET		1	
5	A		..SCREW		4	
6	A 7BD	2510-99-749-3506	..DUCT, AIR, plastics, convoluted, 76 mm od x 318 mm lg	2718606	1	
7	A 7BD	5330-99-749-3508	..SEAL, RING, PLASTICS, 66 mm id x 82 mm od x 3 mm thk, self- adhesive 1 side	91013242	2	
8	A G1	5305-99-136-5106	..SCREW, TAPPING, THREAD FORMING, steel, hex hd, No.10 x 1/2 in. lg		4	
NI 9	A G1	5310-99-941-8569	..WASHER, FLAT		4	
NI 10			..SCREW, TAPPING, THREAD FORMING ..WASHER, FLAT		4 4	
10			..NUT	8832769	4	
11	A 7BD	2590-99-135-0423	..BRACKET	91013120	1	
12	A 7BD	2510-99-749-3507	..DUCT, AIR, plastics, convoluted, 76 mm od x 400 mm lg	2718607	1	
13		NP	..EXTENSION, FACIA VENTILIATOR DUCT	91001760	2	
15	A G1	5305-99-138-8079	..SCREW, TAPPING, THREAD FORMING, steel, pan hd, slot drive, No.8 x 1-1/2 in. lg		1	
NI 16	A G1 A G1	5310-99-941-8563 5305-99-122-4165	..WASHER, FLAT ..SCREW, TAPPING, THREAD FORMING, steel, pan hd, slot drive, No.10 x 1/2 in. lg		1 1	
NI 17	A G1	5310-99-941-8569	..WASHER, FLAT		1	
18		NP	..BRACKET, DUCT EXTENSION, rh		1	
NI 18		NP	..SPACER, EXTENSION TO PANEL	91005754	1	
NI 18	A 7BD	5330-99-749-3513	..SEAL, RUBBER STRIP, 140 mm lg x 16 mm w x 8 mm thk, self- adhesive 1 side	2717882	2	

353

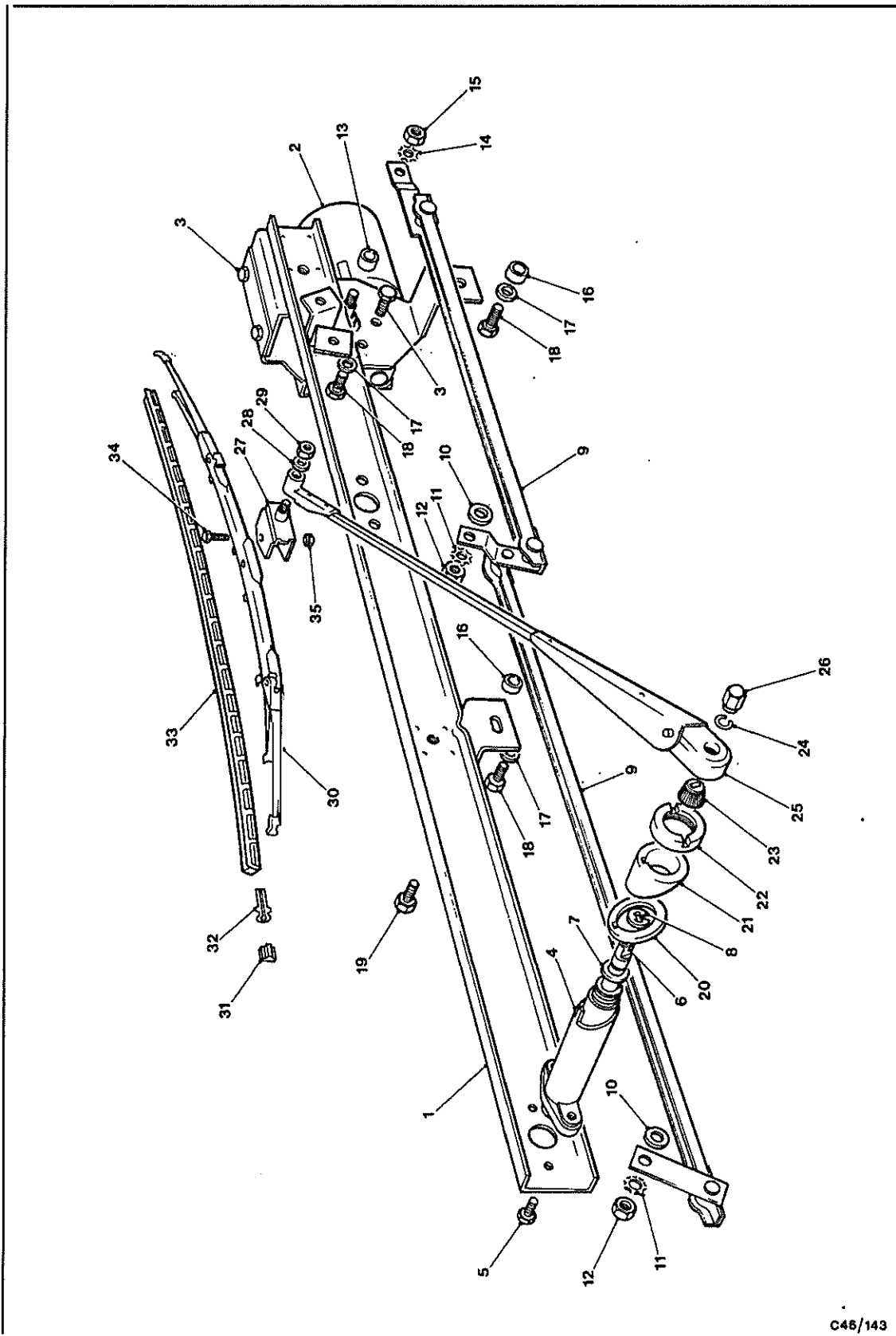


459

Fig11 Windshield wash

FIG ITEM	MAN CODE NAVY - N ARMY - A RAF - R	NATO STOCK NUMBER	ITEM NAME AND DESCRIPTION	PART NO./ DRAWING NO.	NO. OFF	ANNOTATIONS
Fig 11						
1		NP	CAB - contd			
2			..WINDSCREEN WASHER -	VM2712814	1	
			..BRACKET, CONTAINER		3	
			..SCREW			
3			..WASHER		3	
4	A	G1	..NUT, PLAIN, HEXAGON		3	
5	A	7ED	2540-99-747-9315 ..CONTAINER, LIQUID, plastics, 3.3 litre capacity; c/w cap and pipe	91087835	1	
6	A	7ED	2590-99-721-4533 ..STRAP, CONTAINER SUPPORT	2712815	1	
7-10	A	6MT3	2540-99-833-9948 ..PUMP WINDSCREEN WASHER	91084872	1	
11			..SCREW)	
12	A	G1	5310-99-977-1102 ..WASHER, LOCK)	
13	A	G1	5310-99-122-5294 ..NUT, PLAIN, HEXAGON)AR	
14	A	6MT1	4710-99-822-6022 ..PIPING, PLASTICS, SEMIRIGID, 5 mm id)	
15	A	7ED	4730-99-813-6358 ..TEE, HOSE	8855487	1	
16	A	7ED	4720-99-717-7689 ..TUBING, PLASTICS, PVC, 5 mm od x 3 mm id	91009010)	
17		NP	..STRAP, RETAINING	8838564)	
19	A	6MT3	2540-99-820-2673 ..JET ASSEMBLY, WINDSHIELD WASH	8838551	2	

555



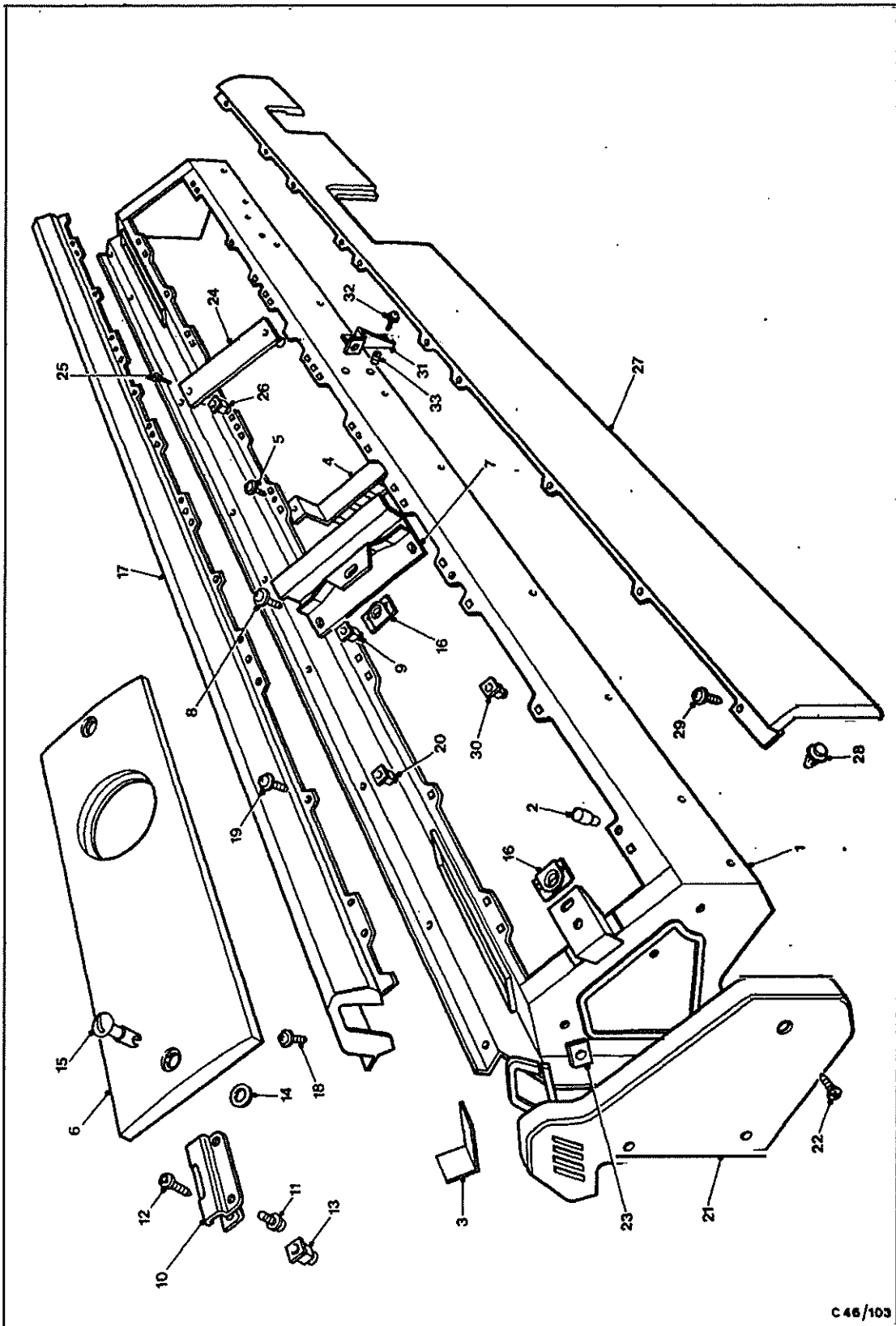
C46/143

Chap 2-9

Fig 12 Windshi ld wiper

FIG ITEM	MAN CODE NAVY - N ARMY - A RAF - R	NATO STOCK NUMBER	ITEM NAME AND DESCRIPTION	PART NO./ DRAWING NO.	NO. OFF	ANNOTATIONS
Fig 12						
1		NP	CAB - contd			
2	A	6MT3	2540-99-825-6899 ..WINDSCREEN WIPER - ..BRACKET ASSEMBLY: motor	7996346	1	
			..MOTOR, WINDSCREEN WIPER, ELECTRICAL	7996045	1	
NI	A	7BD	2540-99-825-8747 ..HOUSING ASSEMBLY, WINDSCREEN	7996015	1	
3	A	7FW	5305-99-977-4564 ..SCREW	3788714	3	
4	A	7BD	2540-99-833-4884 ..HOUSING	7996337	1	
5	A	6MT3	5305-99-755-7814 ..SCREW, MACHINE	7988786	4	
6	A		..SPINDLE	7996342	2	
7			..WASHER		2	
8	A	6MT3	5365-99-755-7812 ..RING, RETAINING, ext 'E' type clip	7988788	1	
9		NP	..LINK ASSEMBLY	7996334	1	RHD
NI		NP	..LINK ASSEMBLY	7996335	1	LHD
10	A	6MT3	5310-99-755-7815 ..WASHER, FLAT	7988794	2	
11	A	6MT3	5310-99-755-7813 ..WASHER, LOCK, knurled drive, wiper arm	7988793	4	
12	A	7BD	5310-99-749-6589 ..NUT	7988579	2	
13		NP	..SPACER	7085976	1	
14	A	6MT3	5310-99-755-7813 ..WASHER, LOCK	7988793	1	
15	A	7BD	5310-99-749-6589 ..NUT	7988579	1	
16		NP	..SPACER	7085976	2	
17	A	7BD	5310-99-137-6213 ..WASHER, FLAT	11035613	5	
18	A	7BD	5305-99-139-9071 ..SCREW, MACHINE, PAINT CLEARING	11499295	AR	
19	A		..SCREW		3	
20	A	7BD	5330-99-874-0750 ..GASKET	6332926	2	
21	A	7BD	2540-99-795-5117 ..ESCUACHEON	9967689	2	
22	A	7BD	5310-99-747-9314 ..NUT, PLAIN, ROUND, ISO metric, steel, 22 mm x 2.5 mm pitch, 35 mm od	9967690	2	
23	A	6MT3	2540-99-803-1490 ..DRIVER, KNURLED	7956851	2	
24	A	7BD	5365-99-832-3782 ..RING, RETAINING	7090308	1	
25	A	6MT3	2540-99-833-4266 ..ARM, WINDSCREEN WIPER	9960806	2	
26	A	7BD	5310-99-139-8896 ..NUT, PLAIN, CAP	9967688	2	
30-33	A	7BD	2540-99-835-0924 ..BLADE, WINDSCREEN WIPER	9106666	2	
33	A	6MT3	2540-99-827-3014 ...REFILL	208567	1	
NI	A	Z31	5910-99-634-2928 ..CAPACITOR, FIXED, METALLIZED, PAPER-PLASTICS DIELECTRIC		2	
NI	A	G1	5305-99-977-3270 ..SCREW, TAPPING, THREAD FORMING		1	

351



Chap 2 - 9

Fig 13 Instrum nt pan l

C 46/103

358

FIG ITEM	MAN CODE NAVY - N ARMY - A RAF - R	NATO STOCK NUMBER	ITEM NAME AND DESCRIPTION	PART NO./ DRAWING NO.	NO. OFF	ANNOTATIONS
Fig 13						
1		NP	CAB - contd ..INSTRUMENT PANEL -	9960203	1	RHD
2	A 7BD	5340-99-833-4256	..PANEL ASSEMBLY, INSTRUMENT ..BUMPER, RUBBER	9964926	2	
3		NP	..SEAL	2717882	2	
4		NP	..BRACKET ASSEMBLY	9965683	1	
5	A G1	5305-99-120-5486	..SCREW, TAPPING, THREAD FORMING		AR	
6	A 7BD	2590-99-747-8583	..COVER, ACCESS, INSTRUMENT PANEL	9965156	1	RHD
NI	A 7BD	2590-99-747-8599	..COVER, ACCESS, INSTRUMENT PANEL	9965157	1	LHD
7		NP	..BRACKET	9965683	1	
8	A G1	5305-99-977-3258	..SCREW, TAPPING, THREAD FORMING, steel, pan hd, slot drive, dog point, No.8 x 7/8 in. lg)	
9		NP	..NUT	8832769)	
10	A 7BD	5340-99-749-1064	..HINGE ASSEMBLY, LID: instrument panel access	9960751	2	
11	A G1	5305-99-135-0422	..SCREW, MACHINE)	
12	A G1	5305-99-122-4165	..SCREW, TAPPING, THREAD FORMING, steel, pan hd, slot drive, dog point, No.10 x 1/2 in. lg)	
13			..NUT	8832769)	
14	A 7BD	2590-99-747-9214	..WASHER, RECESSED, plastics, 5.3 mm id x 11.1 mm od x 0.6 mm thk	9961107	2	
15	A 7BD	5325-99-749-1067	..STUD, TURNLOCK, FASTENER, steel, fillister hd, 6.5 mm dia x 20 mm lg	9960923	AR	
16	A 7BD	5325-99-749-1068	..RECEPTACLE, TURNLOCK FASTENER	9961042	2	
17		NP	..FACIA, INSTRUMENT PANEL, UPPER	2718808	1	
18	A G1	5305-99-977-3255	..SCREW, TAPPING, THREAD FORMING, steel, pan hd, slot drive, dog point, No.8 x 5/8 in. lg)	
19	A G1	5305-99-977-3258	..SCREW, TAPPING, THREAD FORMING, steel, pan hd, slot drive, dog point, No.8 x 7/8 in. lg)	
20		NP	..NUT	8832769)	
21		NP	..FACIA, INSTRUMENT PANEL, SIDE	9960372	1	RHD
NI		NP	..FACIA, INSTRUMENT PANEL, SIDE	9960373	1	LHD
22	A G1	5305-99-137-7006	..SCREW, TAPPING, THREAD FORMING		AR	
23		NP	..SPACER	91017481	2	
25	A G1	5305-99-137-7006	..SCREW, TAPPING, THREAD FORMING, steel, flat csk hd, slot drive, dog point, No.10 x 5/8 in. lg		AR	
27	A 7BD	2590-99-747-8584	..PAD, CUSHIONING	9960491	1	RHD
NI	A 7BD	2590-99-747-8600	..PAD, CUSHIONING	9960492	1	LHD
28	A 7BD	5325-99-824-8866	..FASTENER, SPRING TENSION, TRIM	7192664)	
29	A G1	5305-99-977-3258	..SCREW, TAPPING, THREAD FORMING, steel, pan hd, slot drive, dog point, No.8 x 7/8 in. lg)	
30		NP	..NUT	8832769)	
32			..SCREW, MACHINE)	
33			..NUT)	
NI	A 7BD	9905-99-759-0837	..PLATE INSTRUCTION: trailer warning	91098532	1	
NI	A 7BD	9905-99-759-0838	..LABEL, INSTRUCTION: steep gradient parking - trailer	91098533	1	
NI	A 8RFAT	2590-99-752-1794	..PLATE, WARNING: crane	857903	1	

359

FIG ITEM	MAN CODE NAVY - N ARMY - A RAF - R	NATO STOCK NUMBER	ITEM NAME AND DESCRIPTION	PART NO./ DRAWING NO.	NO. OFF	ANNOTATIONS
NI	A	7BD	5340-99-747-8544	CAB - contd ..HANDLES AND FITTINGS -		
NI	A	7BD	5330-99-747-8543	..HANDLE, BOW, zinc alloy, 4 mtg holes, 28 mm h of clearance	9961133	2 Front, exterior
NI	A	7BD	5340-99-747-8545	..GASKET: grab handle ..HANDLE, BOW, steel, 4 mtg holes, 117 mm h of clearance	9961201	4 Interior rh rear
NI	A	7BD	5340-99-747-8546	..HANDLE, BOW, steel, 4 mtg holes, 117 mm h of clearance	9966916	1 Interior lh rear
NI	A	7BD	5340-99-747-8547	..HANDLE, BOW, steel, 2 mtg holes, 95 mm h of clearance	9966917	1 Interior rh
NI	A	7BD	5340-99-747-8548	..HANDLE, BOW, steel, 2 mtg holes, 95 mm h of clearance	91042800	1 Interior lh
NI	A	7BD	5310-99-747-8549	..NUT, PLAIN, CLINCH, ISO metric, rd, steel, 6 mm	91065847	2)
NI	A	G1	5310-99-122-5295	..NUT, PLAIN, HEXAGON, ISO metric, steel, 6 mm		4)
NI	A	G1	5305-99-977-0862	..SCREW, MACHINE		8)Handle
NI	A	G1	5305-99-122-5363	..SCREW, MACHINE		4)fixing
NI	A	G1	5305-99-135-0261	..SCREW, MACHINE		2)
NI	A	G1	5305-99-122-5362	..SCREW, MACHINE		2)
NI	A	G1	5310-99-203-6405	..WASHER, LOCK, steel, split helical ring, 6 mm id		4)
NI				..BRACKET ASSEMBLY, fire extinguisher	7200535	2
NI			NP	..SPACER	8854367	4
NI	A	G1	5305-99-122-5279	..SCREW, MACHINE		4 Bracket to panel
NI	A	G1	5305-99-977-3297	..SCREW, TAPPING, THREAD FORMING		4 Bracket to body
NI	A	G1	5310-99-135-0755	..NUT, PLAIN, HEXAGON		4
NI	A	7BD	5920-99-813-9231	..BOOT, DUST AND MOISTURE SEAL	6355090	4

361

FIG ITEM	MAN CODE NAVY - N ARMY - A RAF - R	NATO STOCK NUMBER	ITEM NAME AND DESCRIPTION	PART NO./ DRAWING NO.	NO. OFF	ANNOTATIONS
NI	A	7BD	2540-99-749-1075	CAB - contd ..SUN VISOR - ..VISOR, SUN, VEHICLE, plastics, inside type, adjustable	91008158	2
NI	A	7BD	2540-99-749-1073	..RETAINER, SUN VISOR, plastics, hook shaped, outer	91000666	2
NI	A	7BD	2540-99-747-9216	..RETAINER, SUN VISOR, plastics, hook shaped, outer side	91013576	2
NI	A	G1	5305-99-977-3292	..SCREW, TAPPING, THREAD FORMING		2
NI	A	G1	5305-99-137-7006	..SCREW, TAPPING, THREAD FORMING		4
NI	A	G1	5305-99-977-3256	..SCREW, TAPPING, THREAD FORMING		2
NI	A	G1	5310-99-759-2085	..NUT, SHEET SPRING		4
NI	A	7BD	5310-99-749-1072	..NUT, SHEET SPRING, steel, No.8, 17/32 in. lg x 7/16 in. w x 9/32 in. h		2

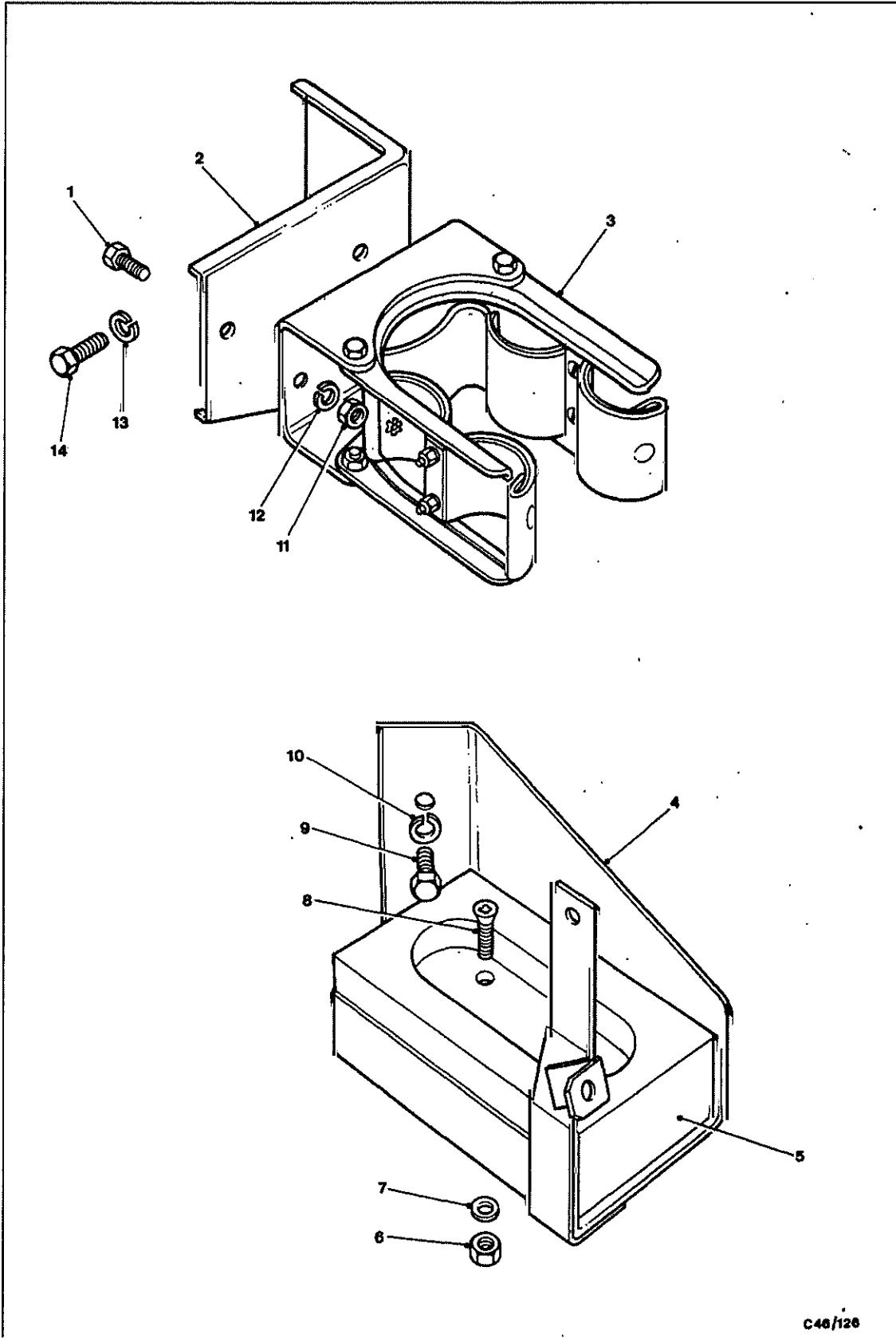
362

ARMY EQUIPMENT
SUPPORT PUBLICATIONS

2320-L-701-711

FIG ITEM	MAN CODE		NATO STOCK NUMBER	ITEM NAME AND DESCRIPTION	PART NO./ DRAWING NO.	NO. OFF	ANNOTATIONS
	NAVY - N	ARMY - A RAF - R					
NI	A	6MT3	2540-99-833-7450	CAB - contd ..MIRRORS AND MOUNTINGS -	M76456ET	1	
NI	A	6MT3	2540-99-829-9000	..MIRROR, REARVIEW, INTERNAL ..MIRROR ASSEMBLY, REARVIEW, ext mtd, 14 in. h x 8 in. w; c/w clamp	CM50022CB	2	
NI	A	7ED	2540-99-833-4283	..ARM, REARVIEW MIRROR, steel tube, pre-bent, 721 mm lg x 400 mm w; c/w brackets	91016210 91017200	1 2	Mirror mtg
NI	A	7ED	2540-99-747-9637	..GASKET, plastics, 2 mtg holes			
NI	A	7ED	5310-99-749-1076	..NUT, PLAIN, CLINCH, ISO metric, steel, 5 mm x 11 mm od	91043617	2	
NI	A	G1	5305-99-122-5286	..SCREW, MACHINE		2	Int mirror mtg
NI	A	G1	5305-99-135-0453	..SCREW, MACHINE		6)Ext mirror
NI	A	G1	5305-99-759-2086	..SCREW, MACHINE		2)arm to)door

363



364

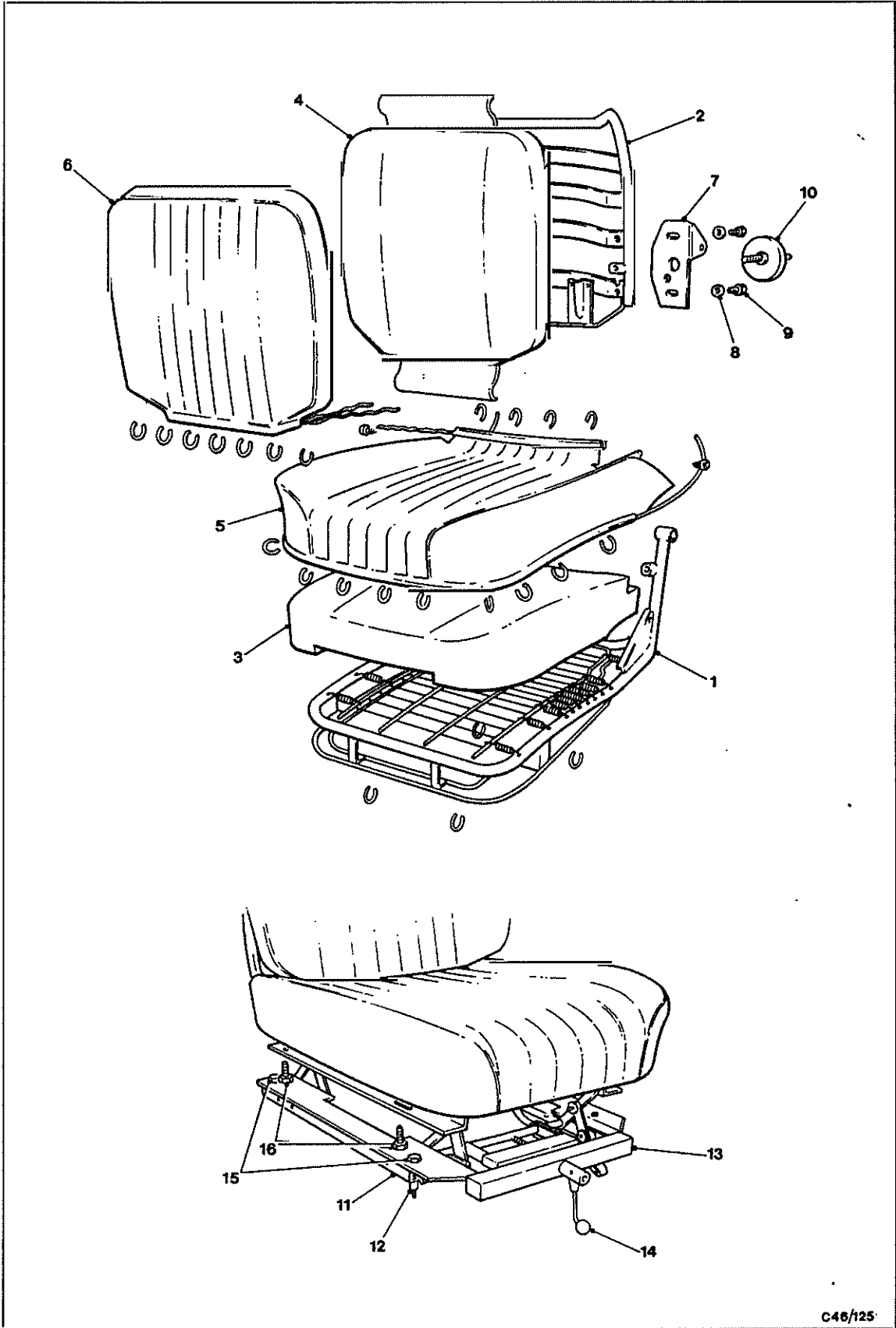
Chap 2 - 9

Fig 14 Rifle clip

c46/120

FIG ITEM	MAN CODE NAVY - N ARMY - A RAF - R	NATO STOCK NUMBER	ITEM NAME AND DESCRIPTION	PART NO./ DRAWING NO.	NO. OFF	ANNOTATIONS
Fig 14						
1	A G1	5305-99-122-5355	CAB - contd ..RIFLE STOWAGE - ..SCREW, MACHINE, ISO metric, steel, hex hd, 5 mm x 10 mm lg			
2		NP	..BRACKET ASSEMBLY, RIFLE STOWAGE, upper	91051126	1	Rh
NI	A 7BD	2540-99-747-9206	..BRACKET ASSEMBLY, RIFLE STOWAGE, upper	91051127	1	Lh
3	A 7BD	2540-99-749-1053	..CLIP ASSEMBLY, rifle stowage, 4-1/2 in. lg x 3 in. w x 2-1/2 in. h	8820460	2	
4		NP	..BRACKET ASSEMBLY, RIFLE STOWAGE, lower	91049084	1	Rh)
NI		NP	..BRACKET ASSEMBLY, RIFLE STOWAGE, lower	91042799	1	Lh))RHD
NI		NP	..BRACKET ASSEMBLY, RIFLE STOWAGE, lower	91042798	1	Rh)
NI		NP	..BRACKET ASSEMBLY, RIFLE STOWAGE, lower	91049085	1	Lh))LHD
5	A 7BD	2540-99-749-1052	..BLOCK, SUPPORT, RIFLE, wood, 153 mm lg x 76 mm w x 45 mm h, 2 mtg holes	91020862	2	
6	A G1	5310-99-122-5295	..NUT, PLAIN, HEXAGON, ISO metric, steel, 6 mm		2	
7	A G1	5310-99-122-3411	..WASHER, PLAIN, steel, 6 mm id x 12.5 mm od x 1.6 mm thk		2	
8	A G1	5305-99-122-5323	..SCREW, SOCKET HEAD, ISO metric, steel, flat csk hd, No.8 x 16 mm lg)
9	A G1	5305-99-122-5360	..SCREW, MACHINE, ISO metric, steel, hex hd, 6 mm x 16 mm lg)AR
10	A G1	5310-99-203-6405	..WASHER, LOCK, steel, split helical ring, 6 mm id)
11	A G1	5310-99-122-5294	..NUT, PLAIN, HEXAGON, ISO metric, steel, 5 mm		8)
12	A G1	5310-99-203-6405	..WASHER, LOCK, steel, split helical ring, 6 mm id)
13	A G1	5310-99-203-6405	..WASHER, LOCK, steel, split helical ring, 6 mm id)AR
14	A G1	5305-99-122-5360	..SCREW, MACHINE, ISO metric, steel, hex hd, 6 mm x 16 mm lg)
NI	A G1	5305-99-759-2081	..SCREW, SOCKET HEAD, ISO metric, flat csk hd, 8 mm x 65 mm lg		3)
NI	A G1	5305-99-122-5292	..SCREW, MACHINE, ISO metric, flat csk hd, 6 mm x 25 mm lg		2)

265

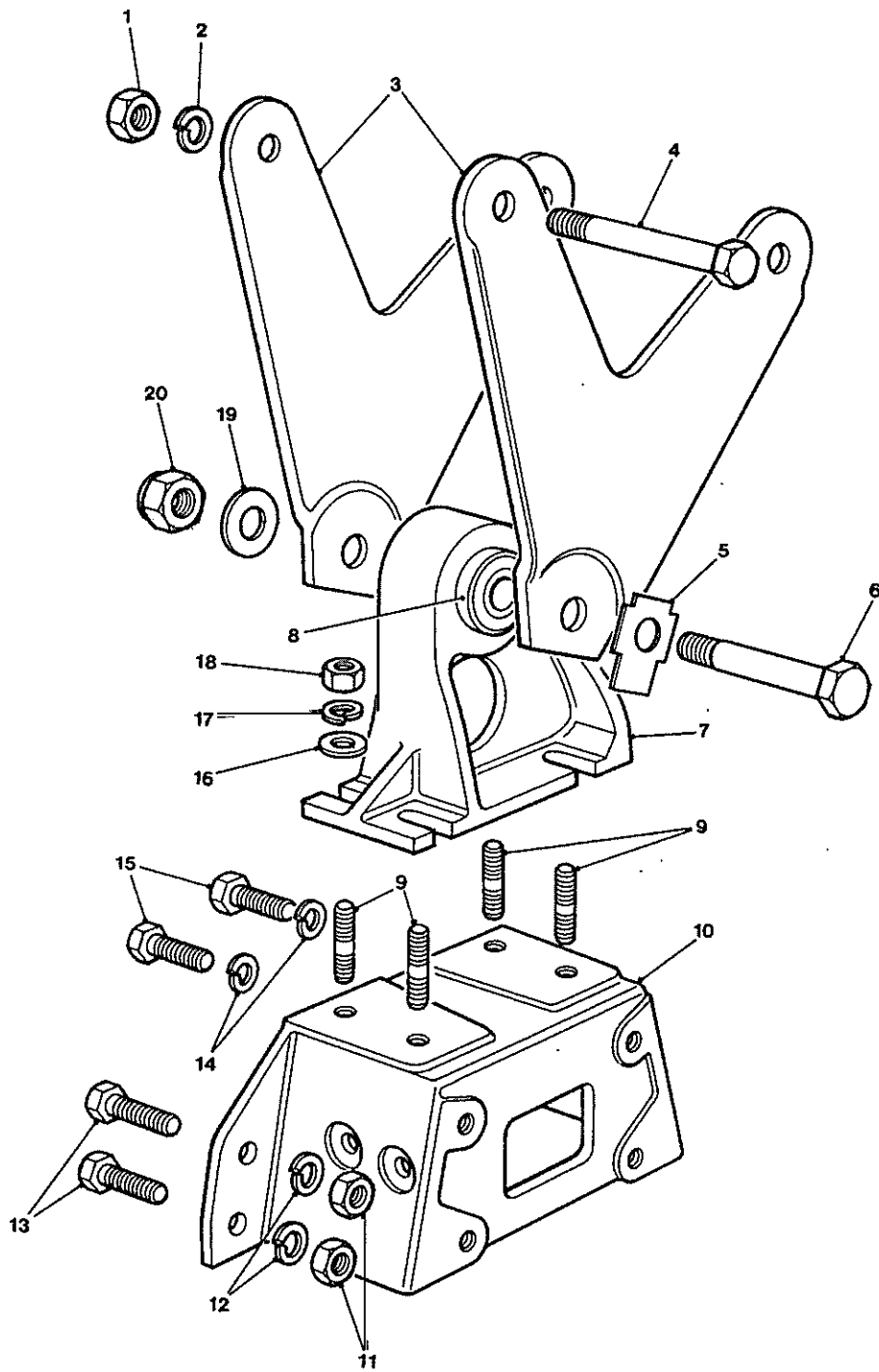


366

Fig 15 Seat

FIG ITEM	MAN CODE NAVY - N ARMY - A RAF - R	NATO STOCK NUMBER	ITEM NAME AND DESCRIPTION	PART NO./ DRAWING NO.	NO. OFF	ANNOTATIONS
Fig 15						
1-10		NP	CAB - contd .SEAT ASSEMBLY: driver or passenger			
3	A	7BD	2540-99-825-2194 ..PAD, SEAT, VEHICULAR	2707035	2	
4	A	7BD	2540-99-825-2192 ..PAD, SEAT, VEHICULAR	2707040	1	
5	A	7BD	2540-99-825-2193 ..COVER, SEAT, VEHICULAR	2711072	1	
6	A	7BD	2540-99-825-2191 ..COVER, SEAT, VEHICULAR	2712063	1	
7		NP	..BRACKET: rake adjustment	2691429	1	LHD
NI		NP	..BRACKET: rake adjustment	2691428	1	RHD
8	A	G1	5310-99-756-9561 ..WASHER, FLAT)	
9			..SCREW, MACHINE)AR	
10		NP	..ADJUSTER, RAKE, ASSEMBLY		1	
NI		NP	...WHEEL, HAND: rake adjuster	2691419	1	
NI	A	7BD	2540-99-830-8992 ...SHAFT, STRAIGHT	2691416	1	
NI	A	G1	5315-99-138-6881 ...PIN SPRING, 1/8 in. dia 1 in. lg	9412187	1	
12	A	G1	5305-99-122-5366 .BOLT, MACHINE		4)
13	A	7BD	2540-99-747-8601 .ADJUSTER, INDIVIDUAL SEAT; c/w operating handle	91048297	1) Driver's seat only
NI	A	7BD	2540-99-747-8588 .ADJUSTER, INDIVIDUAL SEAT; c/w operating handle	91048296	1)
14		NP	..OPERATING HANDLE		1)
15	A	G1	5306-99-122-5256 .BOLT, MACHINE)	
NI	A	G1	5310-99-138-1490 .NUT, SELF-LOCKING, HEXAGON)AR	
NI	A	7BD	5310-99-139-5237 .WASHER, SADDLE	6394071)	
NI	A	G1	5305-99-136-9303 .SCREW, TAPPING, THREAD CUTTING)	

367

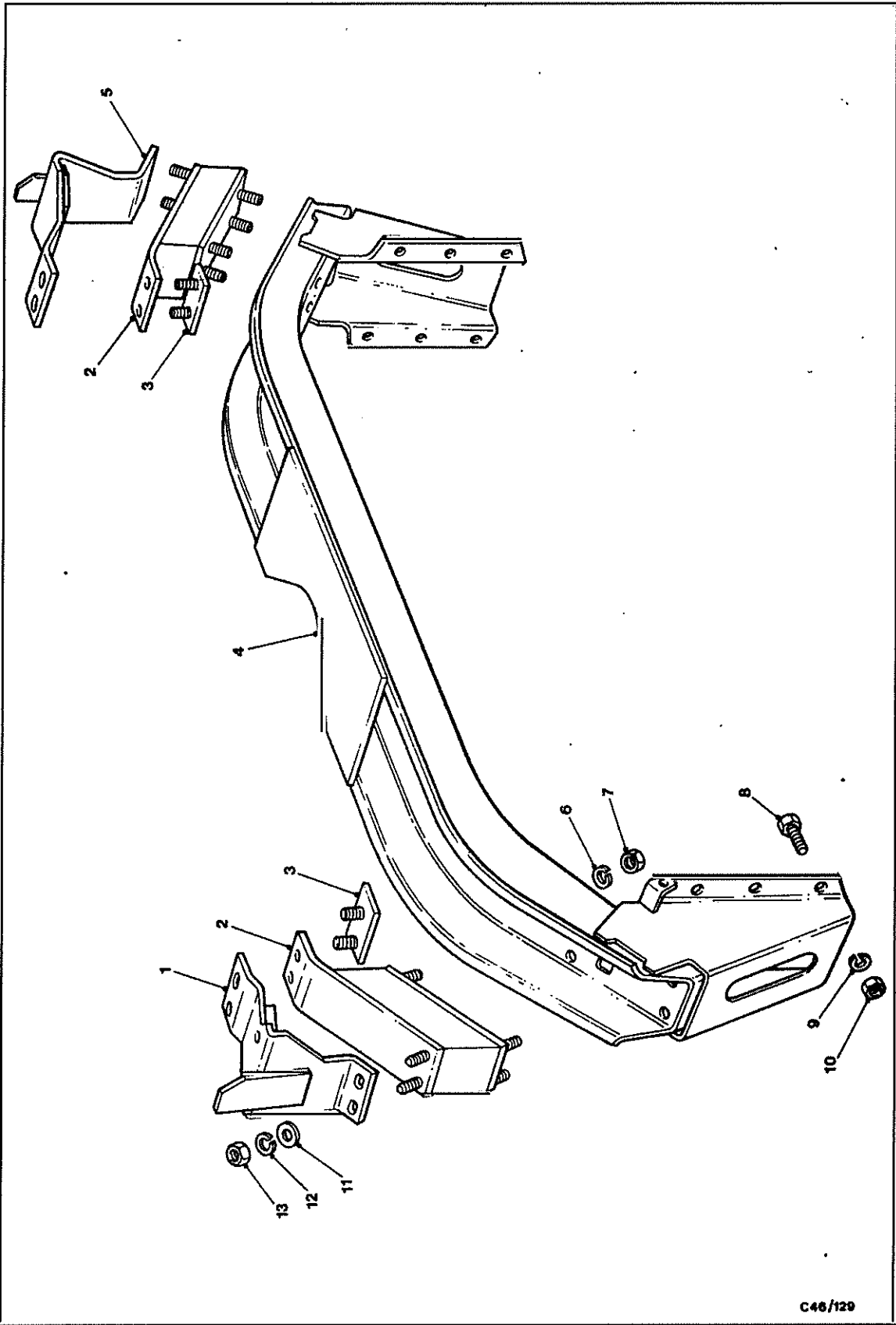


C 48 / 128

Fig 16 Cab mounting - front

FIG ITEM	MAN CODE NAVY - N ARMY - A RAF - R	NATO STOCK NUMBER	ITEM NAME AND DESCRIPTION	PART NO./ DRAWING NO.	NO. OFF	ANNOTATIONS
Fig 16						
1	A G1	5310-99-130-1478	CAB -- contd ..CAB MOUNTINGS: front - ..NUT, PLAIN, HEXAGON		4	
2	A G1	5310-99-138-6241	..WASHER, LOCK		4	
3		NP	..PLATE	2709095	4	
4	A G1	5306-99-760-1895	..BOLT, MACHINE, ISO metric, steel, hex hd, 12 mm x 110 mm lg		4	
5	A 7ED	2510-99-749-1977	..WASHER, KEY, steel, 21 mm id, 2 ext keys	2712278	2	
6	A 7ED	2510-99-749-1976	..BOLT, SHOULDER, ISO metric, steel, hex hd, 16 mm thd x 108 mm o/a lg	2712276	2	
7-8		NP	..PILLAR ASSEMBLY, CAB FRONT SUPPORT	9960111	2	
8	A 7ED	5340-99-833-4293	..MOUNT, RESILIENT	2712277	2	
9	A 7ED	5307-99-763-0978	..STUD, PLAIN, steel, 12 mm thd both ends x 52 mm o/a lg	91000530	8	
10		NP	..BRACKET, BODY MOUNTING	91063059	2	
11	A G1	5310-99-122-5298	..NUT, PLAIN, HEXAGON, ISO metric, steel, 12 mm		8	
12			..WASHER, LOCK, steel, split helical ring, 12 mm id		8	
13	A G1	5305-99-760-1892	..SCREW, MACHINE, ISO metric, steel, hex hd, 14 mm x 45 mm lg		4	
14	A G1	5310-99-135-9304	..WASHER, LOCK, steel, split helical ring, 12 mm id		4	
15	A G1	5305-99-122-8676	..SCREW, MACHINE, ISO metric, steel, hex hd, 12 mm x 40 mm lg		20	
16	A G1	5310-99-122-6477	..WASHER, FLAT		8	
17	A G1	5310-99-135-9304	..WASHER, LOCK, steel, split helical ring, 12 mm id		8	
19	A G1	5310-99-122-6479	..WASHER, FLAT		2	
20	A G1	5310-99-139-3936	..NUT, SELF-LOCKING, HEXAGON		2	

369



Chap 2 - 9

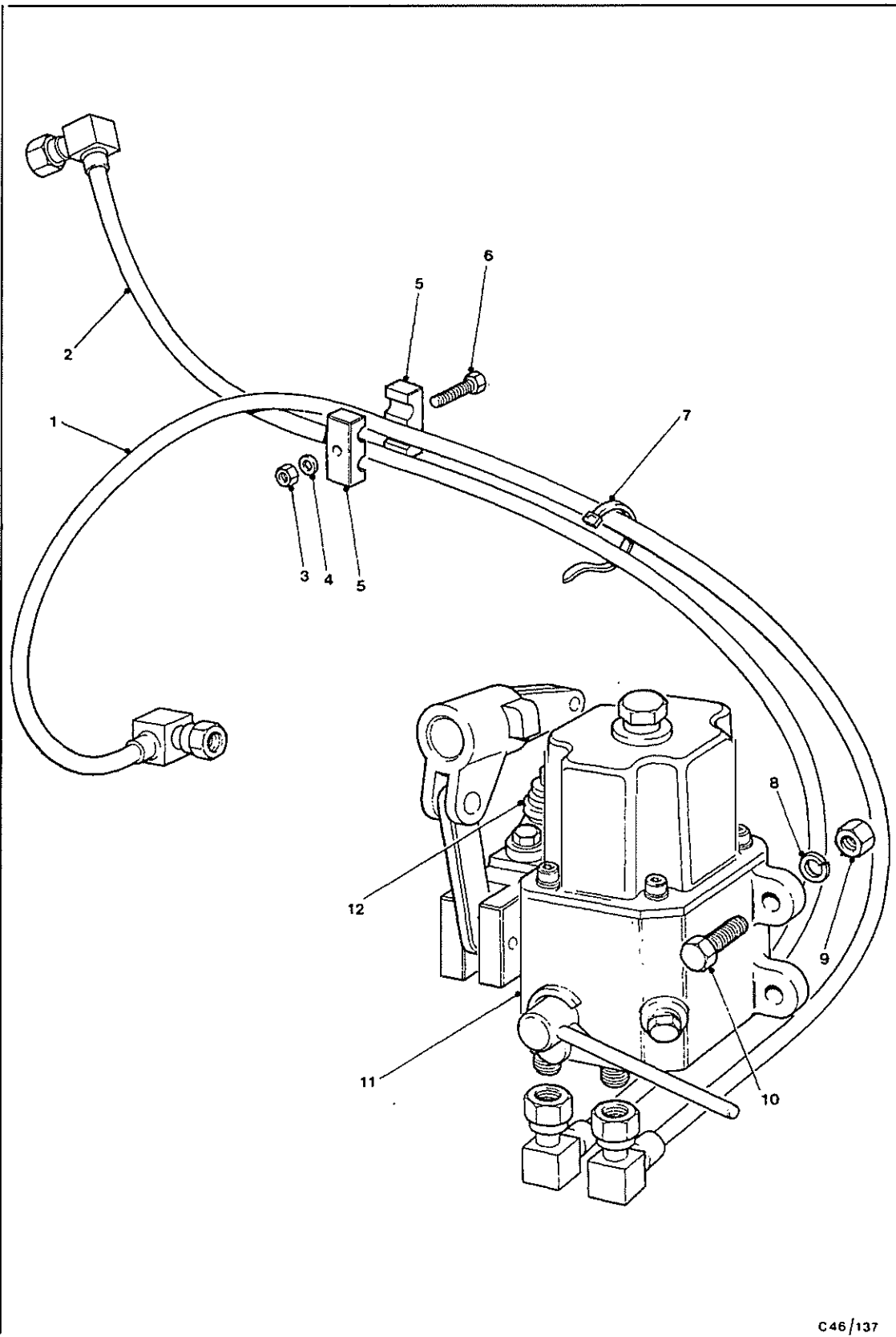
Fig 17 Cab mounting-fr nt

C46/120

718

FIG ITEM	MAN CODE NAVY - N ARMY - A RAF - R	NATO STOCK NUMBER	ITEM NAME AND DESCRIPTION	PART NO./ DRAWING NO.	NO. OFF	ANNOTATIONS
Fig 17			CAB - contd			
2		NP	..CAB MOUNTINGS: rear	91079252	2	
3		NP	..MOUNTING, CAB REAR	91050632	2	
4		NP	..STRIP ASSEMBLY, RETAINING	91030969	1	
6	A G1	5310-99-130-2197	..CROSSMEMBER ASSEMBLY			
			..WASHER, LOCK, steel, split helical ring, 10 mm id		8	
7	A G1	5310-99-120-8355	..NUT, PLAIN, HEXAGON, ISO metric, steel, 10 mm		8	
8	A G1	5305-99-760-1893	..SCREW, MACHINE, ISO metric, steel, hex hd, 12 mm x 40 mm lg		6	
NI	A G1	5305-99-760-1894	..SCREW, MACHINE, ISO metric, steel, hex hd, 12 mm x 30 mm lg		6	
9	A G1	5310-99-135-9304	..WASHER, LOCK, steel, split helical ring, 12 mm id		12	
10	A G1	5310-99-138-2576	..NUT, PLAIN, HEXAGON, ISO metric, steel, 12 mm		12	
11	A G1	5310-99-122-6476	..WASHER, PLAIN, steel, 10 mm id x 21 mm od x 2 mm thk		8	
12	A G1	5310-99-130-2197	..WASHER, LOCK, steel, split helical ring, 10 mm id		8	
13	A G1	5310-99-120-8355	..NUT, PLAIN, HEXAGON, ISO metric, steel, 10 mm		8	

371

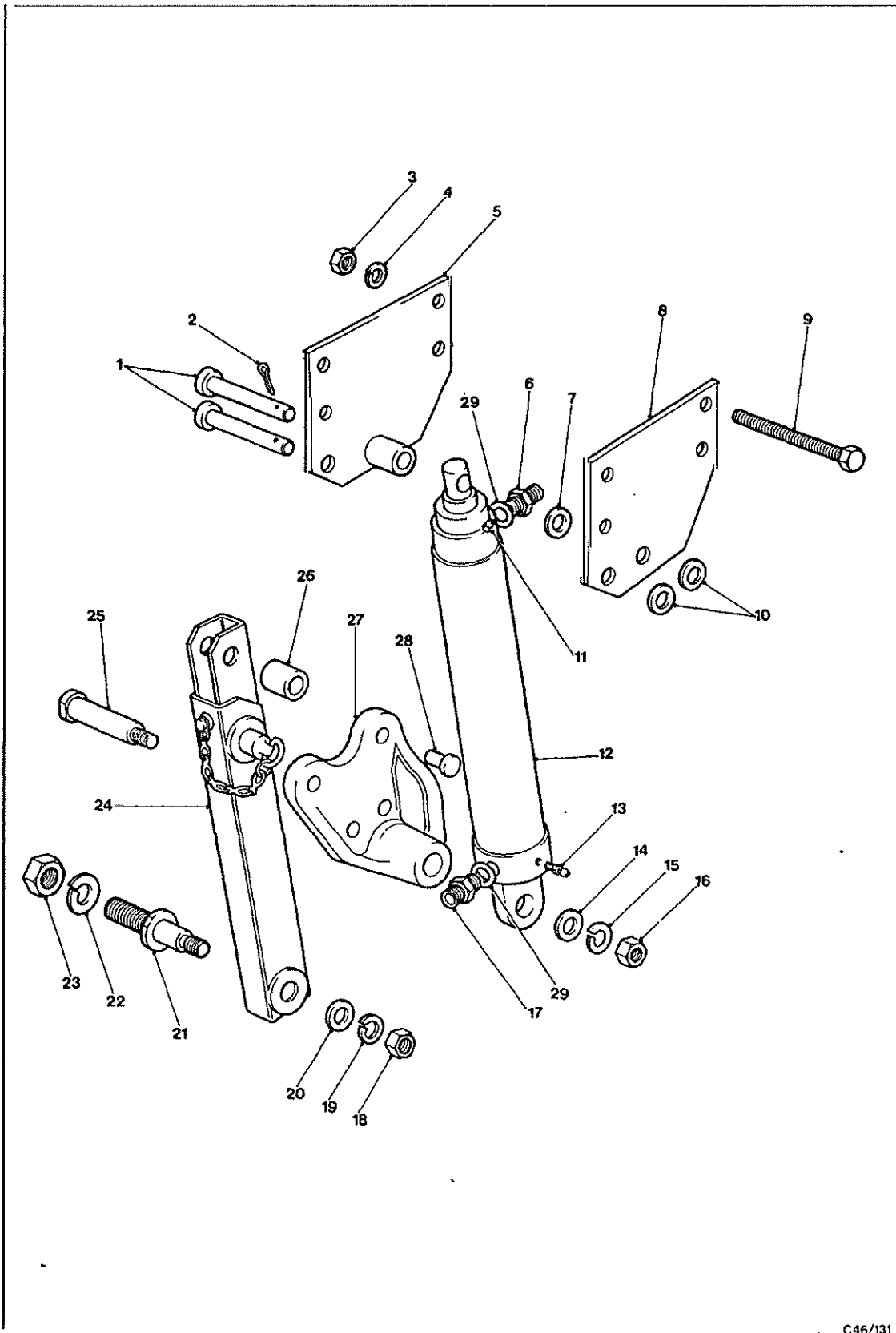


37A

Fig 18 Pump. cab tilt

FIG ITEM	MAN CODE NAVY - N ARMY - A RAF - R	NATO STOCK NUMBER	ITEM NAME AND DESCRIPTION	PART NO./ DRAWING NO.	NO. OFF	ANNOTATIONS
Fig 18						
1	A 7BD	4710-99-749-1990	CAB - contd ..TILT PUMP - ..PIPE, PLASTICS, SEMIRIGID, 6.4 mm bore x 1760 mm lg, elbow; w/ union nut both ends	91048224	1	Feed
2	A 7BD	4710-99-749-1990	..PIPE, PLASTICS, SEMIRIGID, 6.4 mm bore x 1760 mm lg, elbow; w/ union nut both ends	91048224	1	Return
3	A 7BD	5310-99-137-8017	..NUT, PLAIN, HEXAGON, ISO metric, steel, 8 mm	11040197	5	
4	A G1	5310-99-122-6475	..WASHER, PLAIN, steel, 8 mm id		1	
5		NP	..CLAMP, PIPE, double	7195894	2	
6	A G1	5306-99-122-5255	..BOLT, MACHINE, ISO metric, steel, hex hd, 8 mm x 45 mm lg		1	
7	A 7BD	5340-99-824-6033	..STRAP, LINE SUPPORTING	8838564	1	
8	A G1	2510-99-749-1998	..WASHER, LOCK, steel, split helical ring, 8 mm id		2	
9	A 7BD	5310-99-137-8017	..NUT, PLAIN, HEXAGON, ISO metric, steel, 8 mm	11040197	2	
10	A G1	5306-99-122-8103	..BOLT, MACHINE, ISO metric, steel, hex hd, 8 mm x 35 mm lg		2	
11	A 7BD	4320-99-833-4297	..PUMP, HYDRAULIC: cab tilt mechanism	91048223	1	
12	A 6MT9	2540-99-827-3049	..BOOT, DUST AND MOISTURE SEAL	3732-1395	1	
NI	A 6MT9	4320-99-838-5896	..RING, PLASTICS: gaiter clip hydraulic pump	3731-0174	1	

373

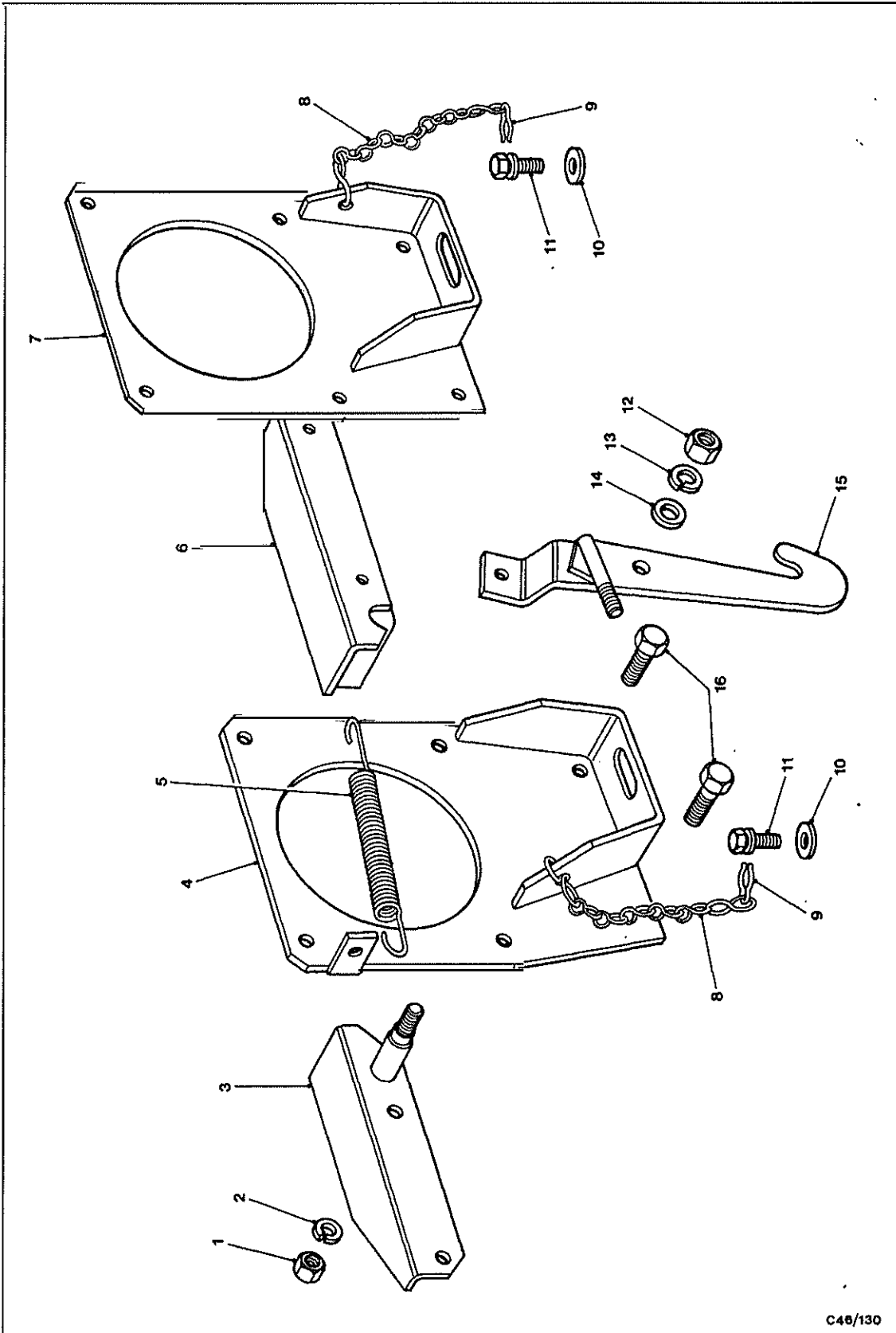


314

Fig19 Cab tilt mechanism

FIG ITEM	MAN CODE NAVY - N ARMY - A RAF - R	NATO STOCK NUMBER	ITEM NAME AND DESCRIPTION	PART NO./ DRAWING NO.	NO. OFF	ANNOTATIONS
Fig 19						
1	A	7BD	2510-99-749-1995	CAB - contd ..TILT MECHANISM - ..PIN, STRAIGHT, HEADED, steel, fillister hd, 16 mm dia x 100 mm lg	11074981	2
2	A	7BD	5315-99-749-1999	..PIN, COTTER, SPLIT, steel, 4 mm dia x 32 mm lg	11010719	2
3	A	G1	5310-99-760-1897	..NUT, PLAIN, HEXAGON, ISO metric, steel, 12 mm		4
4	A	G1	5310-99-135-9304	..WASHER, LOCK, steel, split helical ring, 12 mm id		4
5		NP		..BRACKET ASSEMBLY, CAB TILT RAM	91049761	1
6		NP		..ADAPTOR	91021123	1
7	A	G1	5310-99-122-6479	..WASHER, FIAT		1
8		NP		..BRACKET ASSEMBLY, CAB TILT RAM	91049762	1
9	A	G1	5306-99-760-1896	..BOLT, MACHINE, ISO metric, steel, hex hd, 12 mm x 105 mm lg		4
10	A	G1	5310-99-122-6479	..WASHER, FIAT		6
11	A	6MT9	2590-99-761-3235	..BLEED VALVE, HYDRAULIC SYSTEM, air bleed screw, cab tilt ram	3638-1762	1
12	A	7BD	4320-99-833-4296	..RAM, HYDRAULIC	91077614	1
14	A	G1	5310-99-122-3415	..WASHER, PLAIN; steel, 16 mm id x 30 mm od x 3 mm thk		1
15	A	G1	5310-99-135-4579	..WASHER, LOCK; steel, split helical ring, 16 mm id		1
16				..NUT, PLAIN, HEXAGON, ISO metric, steel, 16 mm		1
17		NP		..ADAPTOR	91021124	1
18	A	G1	5310-99-122-5299	..NUT, PLAIN, HEXAGON, ISO metric, steel, 16 mm		1
19	A	G1	5310-99-135-4579	..WASHER, LOCK, steel, split helical ring, 16 mm id		1
20				..WASHER, PLAIN, steel, 16 mm id		1
21	A	7BD	2540-99-833-4295	..PIN, PIVOT, CHECK STRAP	91049748	1
22	A	G1	5310-99-977-1515	..WASHER, LOCK, steel, split helical ring, 20 mm id		1
23	A	G1	5310-99-122-5300	..NUT, PLAIN, HEXAGON, ISO metric, steel, 20 mm		1
24	A	7BD	2540-99-833-4294	..STRAP ASSEMBLY	91049769	1
25	A	7BD	2510-99-749-1998	..BOLT, SHOULDER, ISO metric, steel, rd hd, w/wrench flats, 16 mm thd x 101 mm o/a lg		1
26		NP		..SPACER	91049747	1
27		NP		..BRACKET, CAB TILT RAM, LOWER	91056386	2
N1	A	6MT1	5330-99-828-5121	..PARTS KIT, SEALS, CAB TILT PUMP	91049723	1
					20-224TCP	1

315



C46/130

Fig 20 Cab tilt locking mechanism

ARMY EQUIPMENT
SUPPORT PUBLICATIONS

2320-L-701-711

FIG ITEM	MAN CODE NAVY - N ARMY - A RAF - R	NATO STOCK NUMBER	ITEM NAME AND DESCRIPTION	PART NO./ DRAWING NO.	NO. OFF	ANNOTATIONS
Fig 20						
1	A G1	5310-99-122-5303	CAB - contd ..TILT MECHANISM - contd ..NUT, PLAIN, HEXAGON, ISO metric, steel, 10 mm		12	
2	A G1	5310-99-130-2197	..WASHER, LOCK, steel, split helical ring, 10 mm id		12	
3		NP	..BRACKET ASSEMBLY, REAR CAB MOUNTING, UPPER	91041315	1	Lh
4		NP	..BRACKET ASSEMBLY, REAR CAB MOUNTING	91044529	1	Lh
5	A 7BD	5360-99-749-2007	..SPRING, HELICAL, EXTENSION, steel, hook ends, 24 mm od x 159 mm lg	91072568	1	
6		NP	..BRACKET ASSEMBLY, REAR CAB MOUNTING, UPPER	91041314	1	Rh
7		NP	..BRACKET ASSEMBLY, REAR CAB MOUNTING	91044530	1	Rh
8	A 7BD	2910-99-833-2256	..CHAIN ASSEMBLY, SINGLE LEG	7055121	2	
9	A 7BD	5340-99-749-2008	..CLIP, RETAINING	91079288	2	
10	A G1	5310-99-122-6477	..WASHER, PLAIN, steel, 14 mm id x 24 mm od x 2.5 mm thk		2	
11	A G1	2540-99-749-2004	..BOLT, MACHINE, ISO metric, steel, hex hd; w/groove, 14 mm x 54 mm lg		2	
12	A 7BD	5310-99-749-2009	..NUT, PLAIN, HEXAGON, ISO metric, steel, 14 mm	91079251	1	
13	A G1	5310-99-138-6241	..WASHER, LOCK, steel, split helical ring, 14 mm id		1	
14	A G1	5310-99-122-6478	..WASHER, PLAIN, steel, 14 mm id		1	
15	A 7BD	2540-99-749-2006	..HOOK, SAFETY, steel, 30 mm lg x 8 mm w x 52 mm o/a h; w/stud	91072615	1	
16	A G1	5305-99-122-8669	..SCREW, MACHINE, ISO metric, steel, hex hd, 10 mm x 35 mm lg		12	

217

213



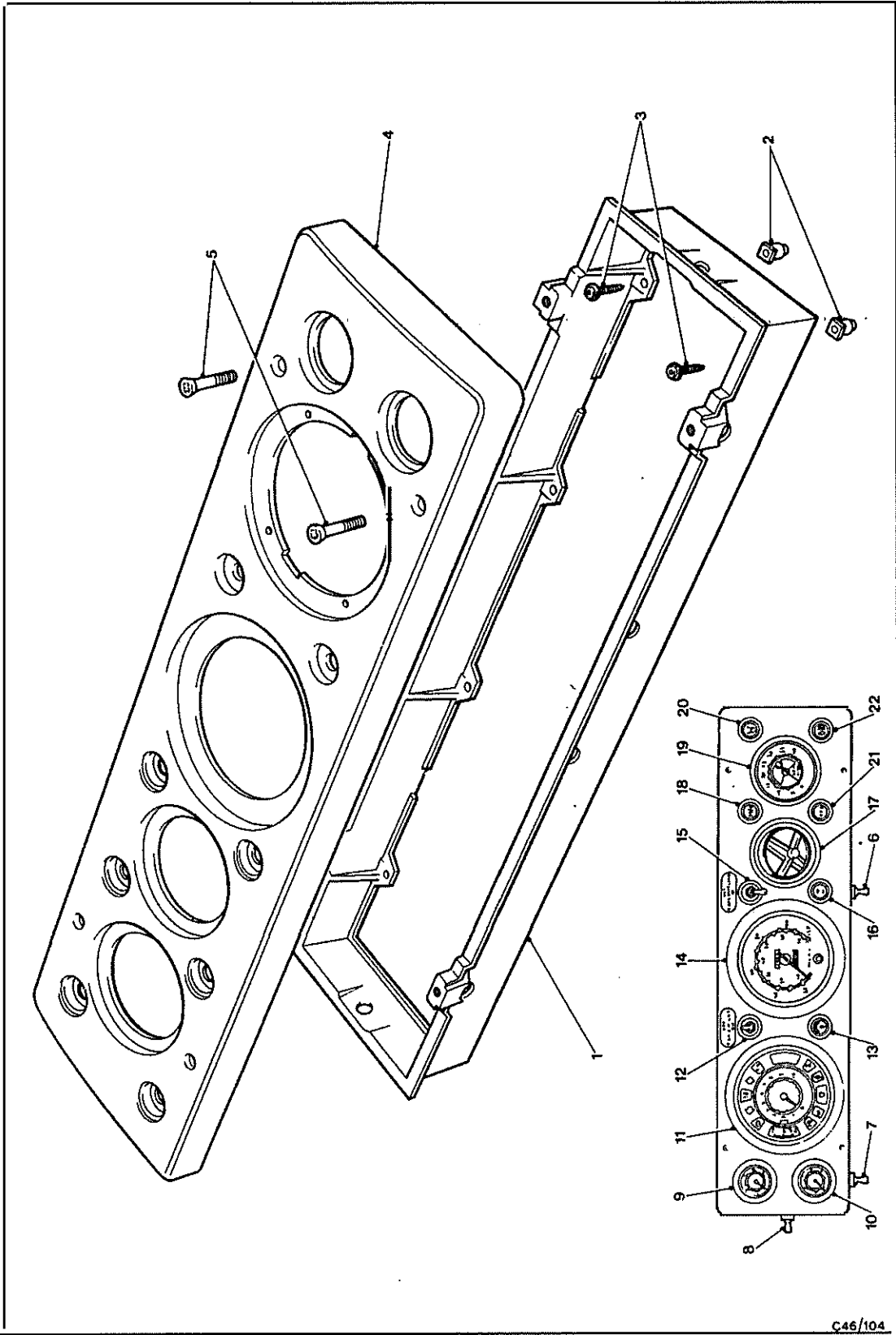
ARMY EQUIPMENT
SUPPORT PUBLICATIONS

2320-L-701-711

CHAPTER 2-10
ELECTRICAL EQUIPMENT

379

Issued Nov. 1983



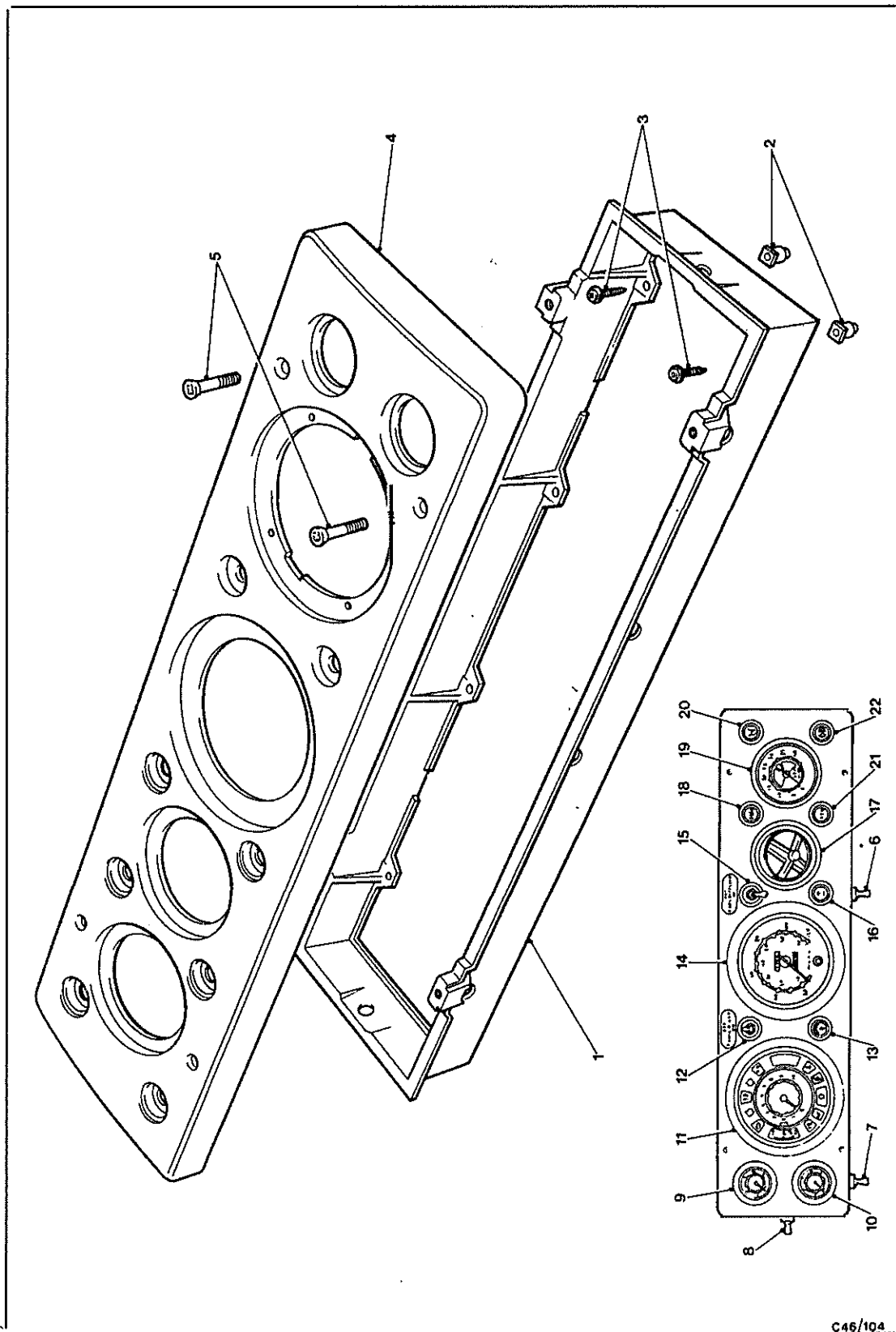
Chap 2-10

Fig1 Instrum nts and pan l

C46/104

FIG ITEM	MAN CODE NAVY - N ARMY - A RAF - R	NATO STOCK NUMBER	ITEM NAME AND DESCRIPTION	PART NO./ DRAWING NO.	NO. OFF	ANNOTATIONS
Fig 1			ELECTRICAL EQUIPMENT -- ..INSTRUMENT PANEL --			
1		NP	..PANEL	9960870	1	
2			..NUT	8832769	1	
4		NP	..COWL ASSEMBLY, INSTRUMENT CARRIER PANEL	9961199	1	
5	A G1	5305-99-122-5365	..SCREW, MACHINE		AR	
6,7&8	A 6MT4	5930-99-833-4678	..SWITCH, TOGGLE	91003330	3	Neg/pos earth check and interior light
9	A 7BD	6685-99-835-0576	..GAUGE, AIR PRESSURE		1	Parking brake
10	A 7BD	6685-99-835-0576	..GAUGE, AIR PRESSURE		1	Auxiliary components
NI	A 7BD	2590-99-833-2625	..GAUGE, AIR PRESSURE, DUAL, 56.4 mm od x 62.6 mm o/a lg x 1/8 in RSP male thd; c/w rubber ring	9959726	1	
11	A 7BD	2590-99-833-2646	..PANEL, INDICATOR	7995612	1	
NI	A 6MT1	2590-99-749-3514	...CLAMP, INSTRUMENT, 'L' shape, 48 mm lg arms, 5 mm dia stud hole		2	
NI	A 6MT1	5310-99-400-9556	...NUT, PLAIN, KNURLED		2	
12	A 6MT4	5930-99-836-3324	..SWITCH, TOGGLE		1	Infra-red
13	A 6MT4	2990-99-837-8931	..SWITCH, IGNITER		1	Cold Start
NI	A 7BD	9905-99-788-5874	..PLATE INSTRUCTION: engine cold start & stopping procedures	91116392	1	
14	A 7BD	6680-99-749-3520	..SPEEDOMETER, 120 KPH max reading black dial, white markings and pointer	9973132	1	
NI	A 6MT1	6695-99-825-2731	...BEZEL, INSTRUMENT WINDOW	7976624	1	
NI	A 6MT1	6685-99-802-2988	...CLAMP, INSTRUMENT	7220731	2	
NI	A 7BD	6680-99-749-3521	...DIAL, SPEEDOMETER, MPH graduations	9973201	1	
NI	A 6MT1	5330-99-825-2732	...GASKET		1	
NI	A 6MT1	5330-99-828-3284	...GASKET	1577264	1	
NI	A 7BD	6680-99-827-9140	...GLASS, SPEEDOMETER	7979812	1	
NI	A 6MT1	5310-99-400-9556	...NUT, PLAIN, KNURLED		2	
NI	A 7BD	2540-99-833-3492	..SHAFT ASSEMBLY, FLEXIBLE, 3600 mm lg; speedometer to convertor	91012713	1	RHD
NI	A 7BD	6680-99-836-6666	..SHAFT ASSEMBLY, FLEXIBLE, 3250 mm lg; speedometer to convertor	91037335	1	LHD
NI	A 6MT1	5340-99-749-6544	..CLIP, SPRING TENSION, steel, 'S' shaped, for 12 mm dia cables	39750-29	AR	
NI	A 7BD	5340-99-748-1368	..STRAP, LINE SUPPORTING	2705882	1	
NI	A 7BD	5325-99-977-0338	..CROMMET, RUBBER	91011044	1	
NI	A 7BD	2540-99-833-3494	..SHAFT ASSEMBLY, FLEXIBLE: convertor to transfer box	91043096	1	
15	A 6MT1	4820-99-543-9720	..VALVE, PNEUMATIC, toggle switch action; c/w escutcheon nut and washer	91055011	1	Rear differen- tial lock
19	A 6MT1	6680-99-749-3515	..TACHOMETER, MECHANICAL, FIXED MOUNTING, 4000 rpm, black dial, white markings	7991554	1	
NI				7991595	1	
NI					1	
NI	A 6MT1	6680-99-801-9943	...WINDOW, METER		1	
NI	A 6MT1	6695-99-801-9945	...BEZEL, INSTRUMENT WINDOW		1	
NI	A 6MT1	6680-99-801-9944	...WASHER, sending, bezel, tachometer		1	
NI	A 6MT1	5330-99-828-3284	...GASKET		1	

381



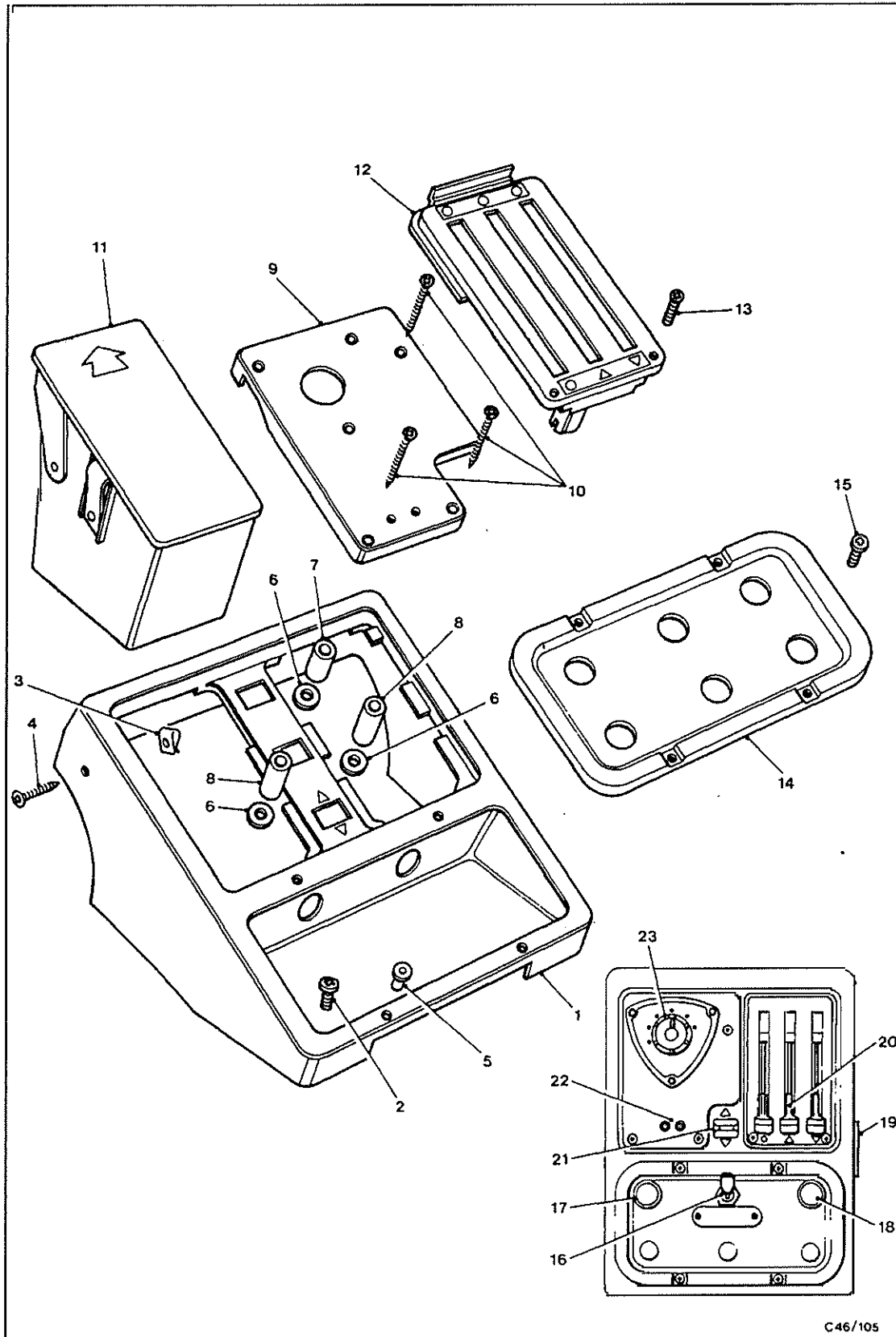
Chap 2-10

Fig1 Instruments and panel

C45/104

FIG ITEM	MAN CODE NAVY - N ARMY - A RAF - R	NATO STOCK NUMBER	ITEM NAME AND DESCRIPTION	PART NO./ DRAWING NO.	NO. OFF	ANNOTATIONS
Fig 1			ELECTRICAL EQUIPMENT - contd			
NI	A 6MT1	5330-99-749-3518	..INSTRUMENT PANEL - contd			
			..TACHOMETER, MECHANICAL, FIXED MOUNTING, - contd			
NI	A 6MT1	6680-99-749-3519	...GASKET, paper, elliptical, 2-5/32 in.lg x 1-9/16 in.w x 1/32 in.thk, 1-1/8 in.dia aperture, 2 mtg holes		1	
			...DRIVE UNIT, TACHOMETER; comprises housing and 2 helical gears		1	
NI	A 7BD	6680-99-749-6543	..SHAFT ASSEMBLY, FLEXIBLE, 2450 mm lg, nut one end, quick release other end	91028162	1	
NI	A 7BD	5340-99-804-2569	..CLIP, SPRING TENSION	6358148	1	
NI	A 7BD	5325-99-832-6700	..GROMMET, RUBBER	6314585	1	
NI	A 7BD	5340-99-830-8883	..CLIP, LOCKING	6491006	1	
22	A 6MT4	2590-99-748-2480	..SWITCH ASSEMBLY; w/indicator light and leads	30669	1	Rear fog light
NI	A 7BD	2590-99-747-9215	..PLUG, INSTRUMENT PANEL COWL, plastics, 28 mm od x 21 mm lg, for 12 mm dia hole	9960973	3	
NI	A 7BD	2590-99-749-1070	..PLUG, INSTRUMENT PANEL, COWL, plastics, 28 mm od x 21 mm lg, for 14 mm dia hole	91003428	1	
NI	A 7BD	2590-99-749-1071	..PLUG, INSTRUMENT PANEL COWL, plastics, 28 mm od x 21 mm lg, for 19 mm dia hole	91011575	1	
NI	A 7BD	2510-99-749-1057	..INSERT, EXPANSION, 4 mm thd, 5.5 mm od x 8 mm lg	91048226	AR	
NI	A 7BD	6250-99-827-9821	..LAMP HOLDER: combined instrument	7976636	10	
NI	A X5	6240-99-995-4529	..LAMP, FILAMENT	DL-1	10	
NI	A 6MT4	2920-99-825-2733	..REGULATOR, VOLTAGE	7963337	1	
NI	A X5	6240-99-995-1287	..LAMP, FILAMENT, 24V, 2.8W, MCC, clear	651) AR	
NI	A X5	6240-99-995-9145	..LAMP, FILAMENT, 24V, 3W, BA7S, clear	6340514		
NI	A X5	6240-99-995-4529	..LAMP, FILAMENT, 24V, 3W, wedge, clear	505) AR	
NI	A 6MT3	6220-99-795-5120	..LIGHT, INDICATOR; c/w bulb, 24V	91068114		1

383



Chap 2-10

Fig 2 Switches, panel and console

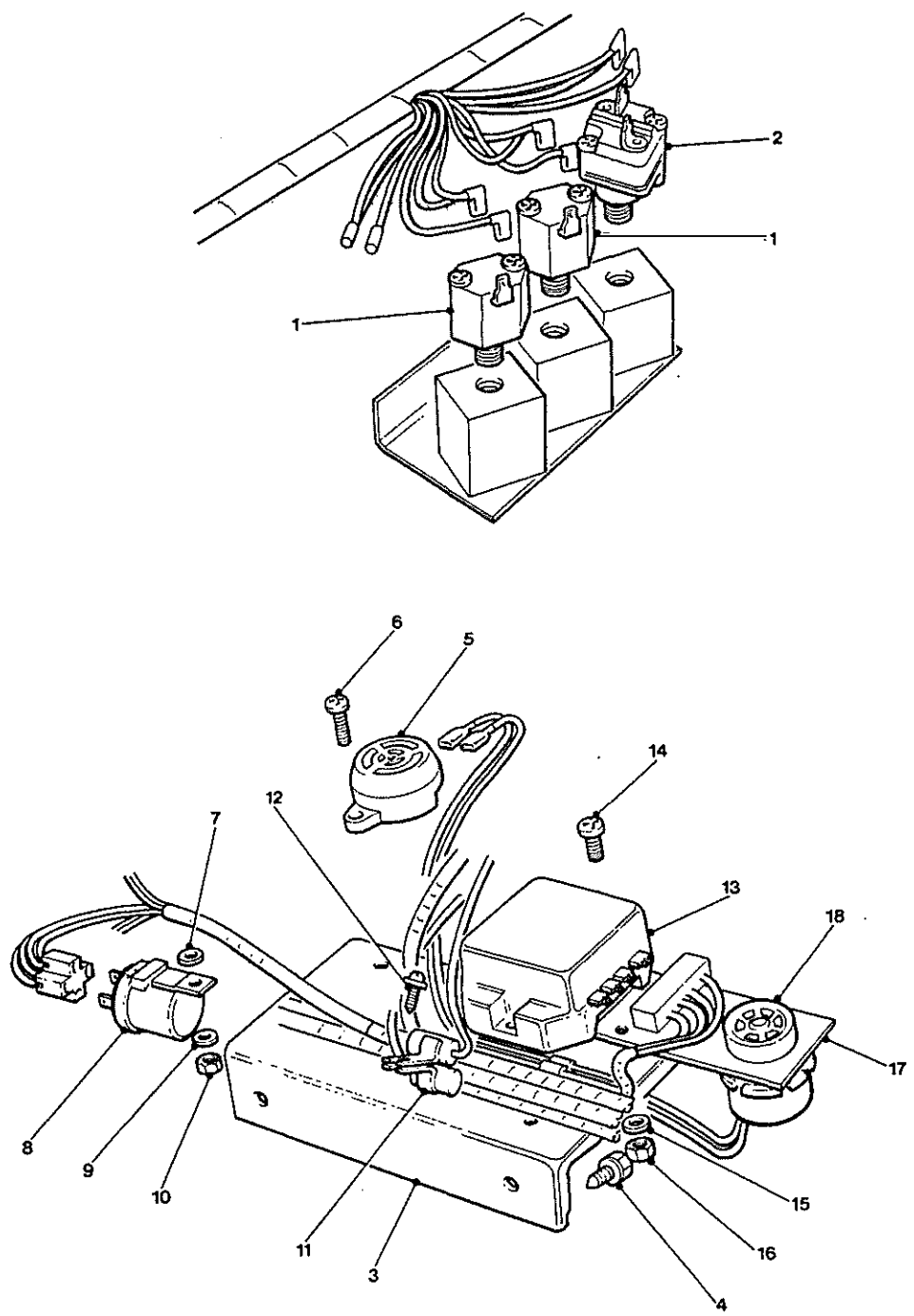
384

C46/105

L.L.

FIG ITEM	MAN CODE NAVY - N ARMY - A RAF - R	NATO STOCK NUMBER	ITEM NAME AND DESCRIPTION	PART NO./ DRAWING NO.	NO. OFF	ANNOTATIONS
Fig 2			ELECTRICAL EQUIPMENT - contd			
1		NP	..CONSOLE AND SWITCH PANEL -			
3	A	G1	..CONSOLE ASSEMBLY	91039177	1	
4	A	G1	..NUT, SHEET SPRING) AR
5	A	G1	..SCREW, TAPPING, THREAD FORMING			
6	A	7BD	..INSERT, SCREW THREAD			
7		NP	..WASHER, FLAT, fibre, 2.65 mm id	91039444	3	
8		NP	x 10 mm od x 0.5 mm thk	91039246	2	
9		NP	..SPACER: long	91039247	1	
10	A	G1	..SPACER: short	91039010	1	
11	A	7BD	..PANEL, SWITCH			AR
		5305-99-977-3288	..SCREW, TAPPING, THREAD FORMING			
		2540-99-749-1063	..ASHTRAY, TOBACCO, 156 mm lg x			
			80 mm w x 124 mm h; c/w lid	91006391	1	
12		NP	..ESCUTCHEON	91009069	1	
13			..SCREW, MACHINE	9907295		AR
14	A	7BD	..PANEL, SWITCH	91039010	1	
21	A	6MT4	..SWITCH, TOGGLE, 3 posn; fan			
		5930-99-748-2475	motor control	X33/CD	1	
23	A	6MT4	..SWITCH, LIGHTING VEHICULAR, 6			
		5930-99-811-0984	blade connectors, 3 mtg holes			
			in. flange	8824904	1	
NI	A	7BD	..GROMMET, BLANK, NONMETALLIC,			
		5325-99-747-9210	rubber, for 15 mm id hole	2699591		AR
NI	A	7BD	..PLUG, PROTECTIVE, DUST AND			
		5340-99-803-4527	MOISTURE SEAL	6373158	1	
NI	A	7BD	..ESCUTCHEON, LIGHTING SWITCH	6326630	1	
		6220-99-813-5247				

385



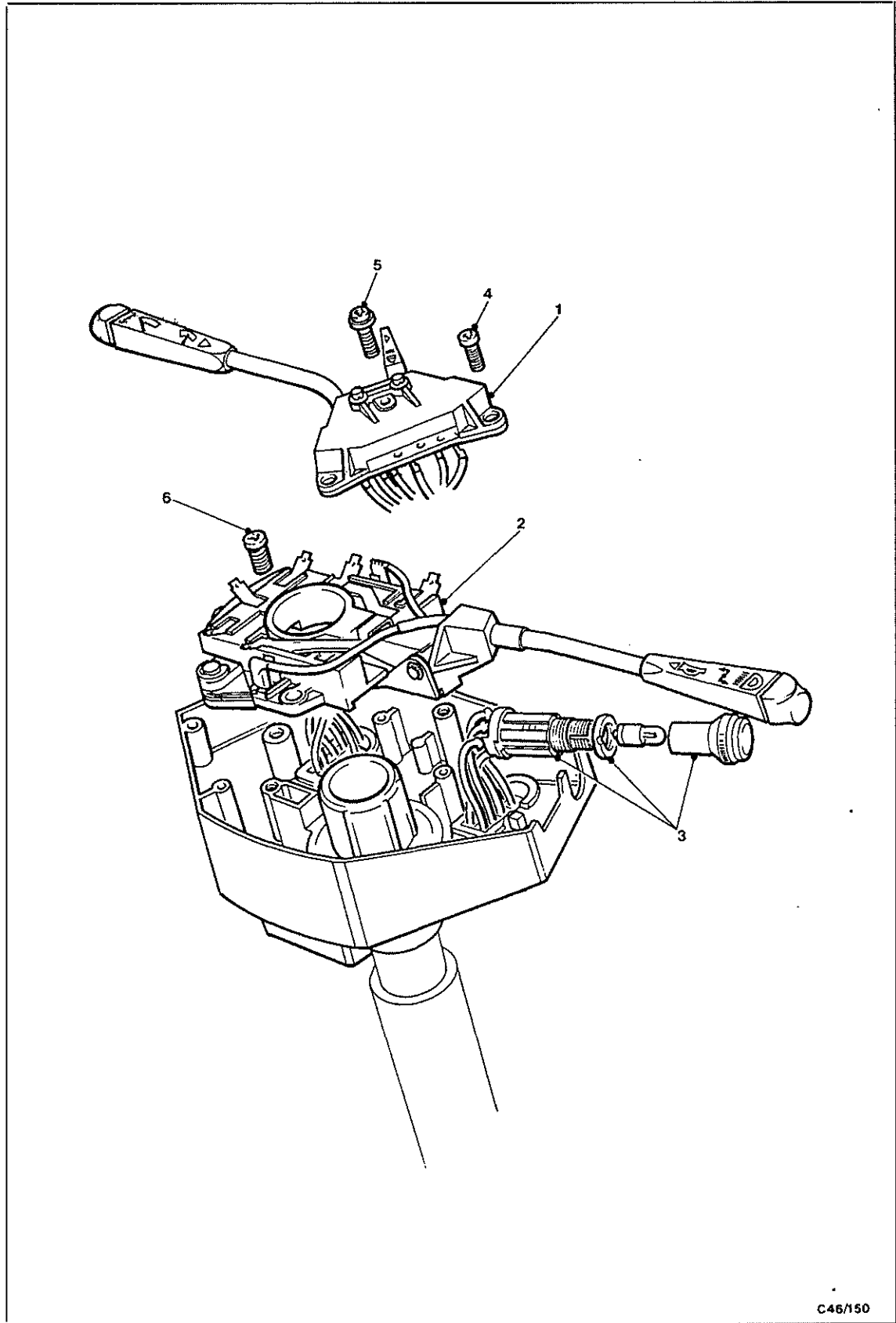
C46/154

Fig 3 Switches

L-12

FIG ITEM	MAN CODE NAVY - N ARMY - A RAF - R	NATO STOCK NUMBER	ITEM NAME AND DESCRIPTION	PART NO./ DRAWING NO.	NO. OFF	ANNOTATIONS
Fig 3			ELECTRICAL EQUIPMENT - contd			
1	A 6MT9	5930-99-829-5119	..WARNING SWITCHES AND BUZZERS -	APSA7282-4	2	
2	A 6MT9	5930-99-809-7409	..SWITCH, PRESSURE	274746	AR	
3		NP	..SWITCH, PRESSURE	9963044	1	
5	A 7ED	6350-99-829-7148	..BRACKET	91037903	1	
6	A G1	5305-99-135-0425	..BUZZER			
			..SCREW, MACHINE, ISO metric, steel, fillister hd, slot drive, 4 mm x 20 mm lg			
8	A 6MT4	5945-99-836-3323	..RELAY, ELECTRICAL	54038138	1	
9			..WASHER, FLAT, steel, 4 mm id		2	
10			..NUT, PLAIN, HEXAGON, ISO metric, steel, 4 mm		1	
11			..SUPPRESSOR	2711415	1	
13	A 6MT3	5945-99-836-3331	..FLASHER UNIT, ELECTRONIC	35064	1	
14	A G1	5305-99-135-0424	..SCREW, MACHINE		2	
15	A G1	5310-99-633-4723	..WASHER, LOCK		2	
16			..NUT, PLAIN, HEXAGON	91079711	1	
17		NP	..PLATE, buzzer mtd	91079711	1	
18	A 7ED	6350-99-748-2455	..BUZZER, warning, 24V; c/w leads and terminals	91077950	1	

387



288

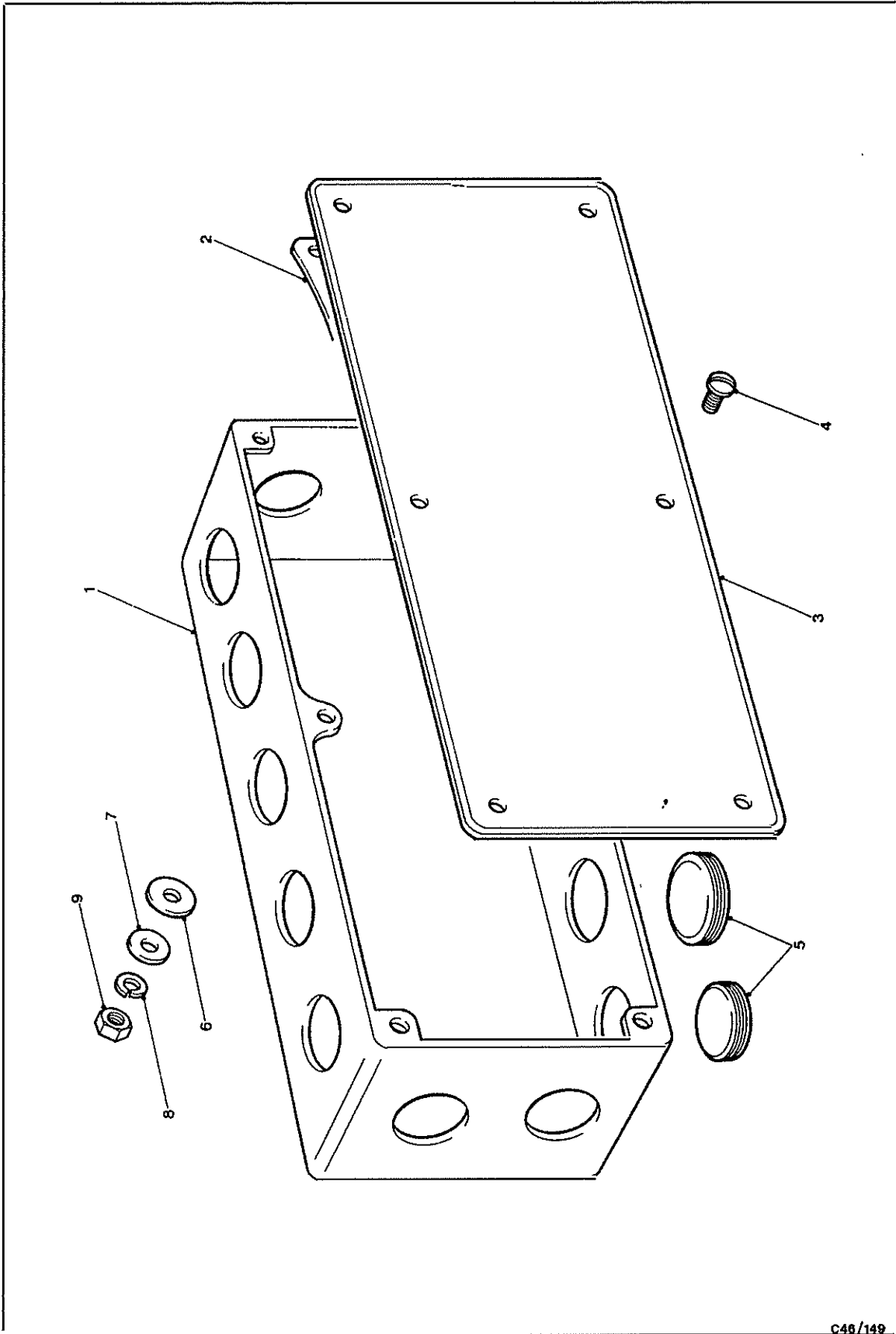
Fig 4 Multi-purpos switch

ARMY EQUIPMENT
SUPPORT PUBLICATIONS

2320-L-701-711

FIG ITEM	MAN CODE NAVY - N ARMY - A RAF - R	NATO STOCK NUMBER	ITEM NAME AND DESCRIPTION	PART NO./ DRAWING NO.	NO. OFF	ANNOTATIONS
Fig 4			ELECTRICAL EQUIPMENT - contd			
1-5	A	6MT4	2590-99-833-2631	54033969	1	
1	A	6MT4	2590-99-748-2474	33904	1	
2	A	6MT4	2590-99-748-2473	33905	1	
3	A	6MT4	5930-99-828-3775	30729	1	
NI	A	6MT4	5930-99-813-5249	1533692	1	
NI	A	7BD	5930-99-813-6590	6367011	1	
NI	A	6MT4	2540-99-807-2832	6385391	1	

389



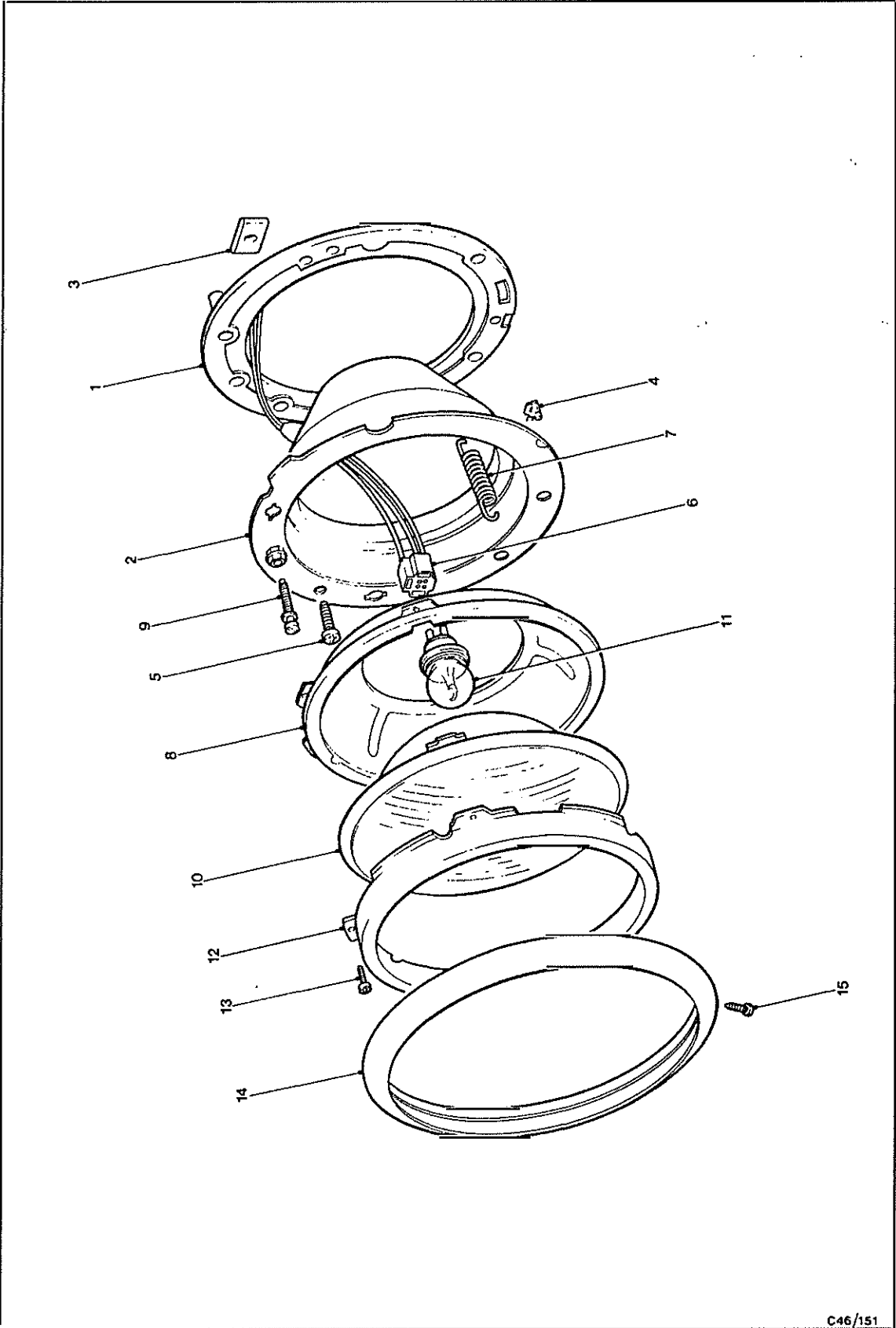
Chap 2-10

Fig 5 Junction box

C48/148

FIG ITEM	MAN CODE NAVY - N ARMY - A RAF - R	NATO STOCK NUMBER	ITEM NAME AND DESCRIPTION	PART NO./ DRAWING NO.	NO. OFF	ANNOTATIONS
Fig 5						
1-5	A 7BD	5975-99-755-8906	ELECTRICAL EQUIPMENT - contd .JUNCTION BOX, steel, 234 mm lg x 132 mm w x 56 mm h, 4 mtg studs	91078809	1	
2	A 7BD	5330-99-755-8907	..GASKET, rubber, 234 mm lg x 132 mm w x 3 mm thk, 108 mm lg x 106 mm w aperture, 6 mtg holes	91078810	1	
5	A 7BD	5325-99-747-9210	..GROMMET, BLANK, NONMETALLIC	2699591	4	
6	A 7BD	5310-99-755-8908	.WASHER, FLAT, rubber, 1/4 in. id x 9/16 in. od x 3/32 in. thk	6323877	4	
7	A 7BD	5310-99-806-8593	.WASHER, FLAT	7074135	4	
8	A G1	5310-99-135-4101	.WASHER, LOCK, steel, split helical ring, 6 mm id		4	
9	A G1	5310-99-122-5295	.NUT, PLAIN, HEXAGON, ISO metric, steel, 6 mm		4	

391

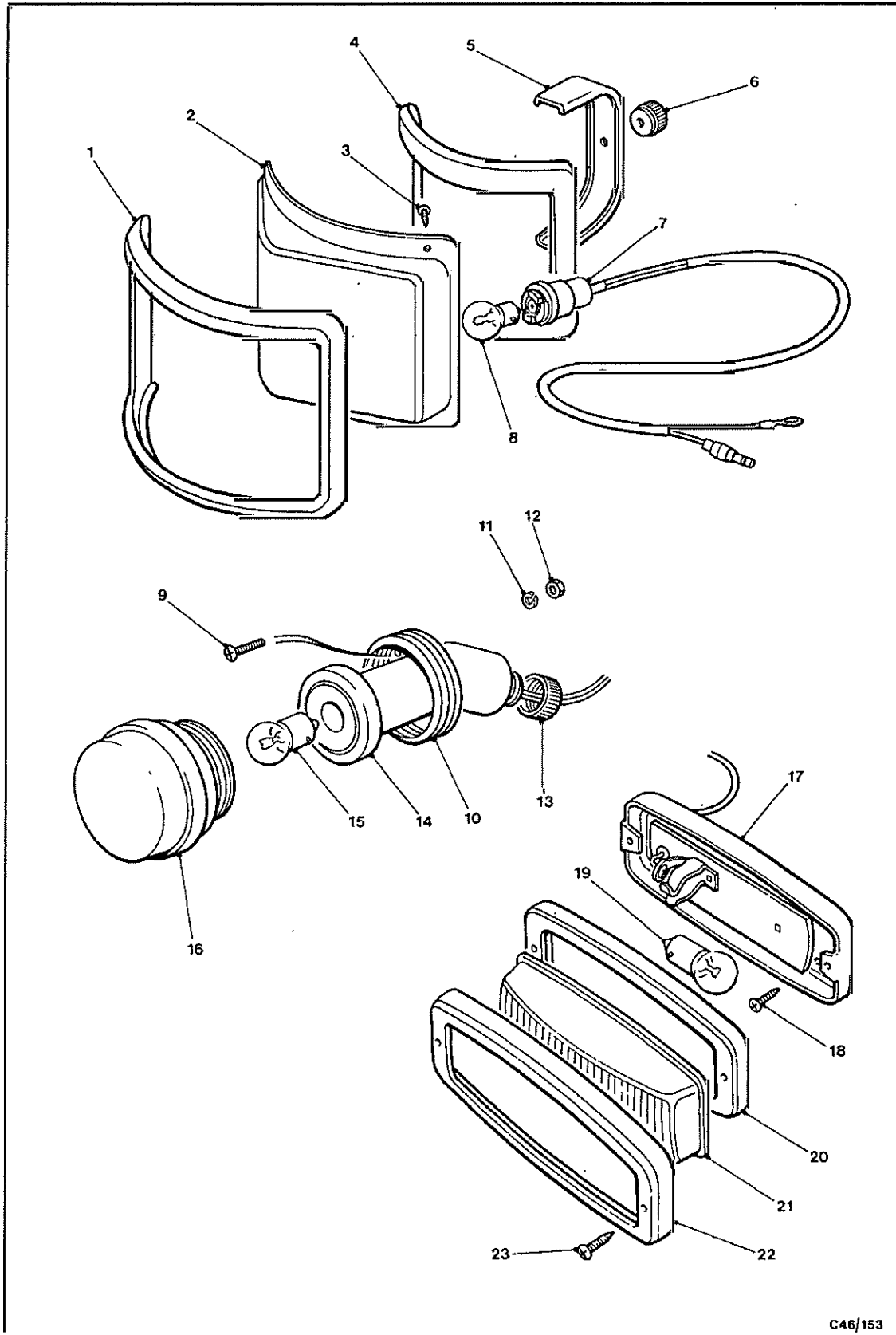


2992

Fig 6 Headlight

FIG ITEM	MAN CODE NAVY - N ARMY - A RAF - R	NATO STOCK NUMBER	ITEM NAME AND DESCRIPTION	PART NO./ DRAWING NO.	NO. OFF	ANNOTATIONS
Fig 6						
1-15 10	A 6MT3	NP 6220-99-836-0349	ELECTRICAL EQUIPMENT - contd ..HEADLIGHTS - ..LIGHT ASSEMBLY, HEAD ...LIGHT UNIT, HEADLIGHT: lh dip	91090633 FV798082	2 1	}RHD
NI NI	A 6MT3	NP 6220-99-882-0195	..LIGHT ASSEMBLY, HEAD ...LIGHT UNIT, HEADLIGHT: rh dip	91090634 54522683	2 1	}LHD
1 6 11	A 6MT3 A 6MT3 A X5	6220-99-408-2259 6220-99-803-3878 6240-99-995-4441	..LIGHT ASSEMBLIES - ...GASKET ...ADAPTOR, HEADLIGHT ...LAMP, FILAMENT	554279 553738 DLIA	1 1 1	

398

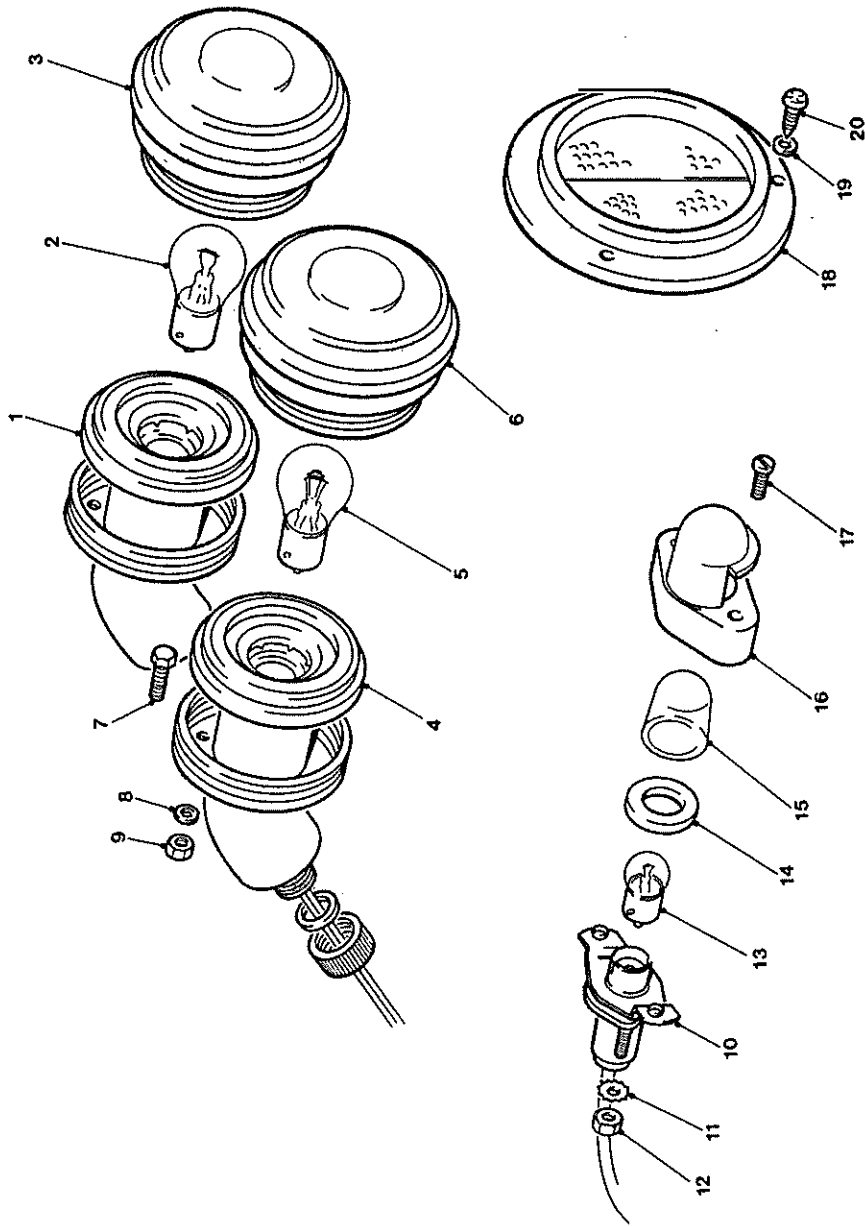


394

Fig 7 Sid lights and turnlights

FIG ITEM	MAN CODE NAVY - N ARMY - A RAF - R	NATO STOCK NUMBER	ITEM NAME AND DESCRIPTION	PART NO./ DRAWING NO.	NO. OFF	ANNOTATIONS
Fig 7			ELECTRICAL EQUIPMENT - contd			
1-8	A 6MT3	6220-99-833-4679	..SIDELIGHTS AND TURNLIGHTS -			
2	A 6MT3	6220-99-833-4680	..TURNLIGHT	9675F	2	
4	A 6MT3	6210-99-833-4682	...LENS, TURNLIGHT	91023103	1	
8	A X5	6240-99-995-3244	...SEAL, BEZEL	91014767	1	
			...LAMP, FILAMENT	DL-1		
9-16	A 7BD	6220-99-743-7300	..SIDELIGHT, round	91090710	2	
15	A X5	6240-99-995-2253	...LAMP, FILAMENT		1	
16	A 6MT3	6220-99-828-6035	...LENS, SIDELIGHT	FV798047	1	
17-23	A 6MT3	6220-99-748-2493	..SIDELIGHT, rect	91078057	2	
19	A W17	6240-99-209-9882	...LAMP, FILAMENT	09240	1	
21	A 6MT3	6220-99-827-2714	...LENS	08173	1	

395



C46/152

FIG ITEM	MAN CODE NAVY - N ARMY - A RAF - R	NATO STOCK NUMBER	ITEM NAME AND DESCRIPTION	PART NO./ DRAWING NO.	NO. OFF	ANNOTATIONS
Fig 8			ELECTRICAL EQUIPMENT - contd			
1-3	A	7BD	6220-99-836-1947	91022796	2	
2	A	X5	6240-99-853-3244	DL-1	1	
3	A	6MT3	6220-99-823-9797	91040981	1	
4-6	A	7BD	2910-99-836-3320	91022797	2	
5	A	X5	6240-99-995-3288	DL-1		
6	A	6MT3	6220-99-824-7089	91040982	1	
10-17	A	7BD	6220-99-836-1948	91079377	2	
13	A	X5	6240-99-995-2253			
15		NP	NP	91090631	1	
16		NP	NP	91090631	1	
18	A	6MT3	9905-99-942-6893	7142953	2	

397

FIG ITEM	MAN CODE NAVY - N ARMY - A RAF - R	NATO STOCK NUMBER	ITEM NAME AND DESCRIPTION	PART NO./ DRAWING NO.	NO. OFF	ANNOTATIONS
NI	A	6MF1	6140-99-620-0234			
			ELECTRICAL EQUIPMENT - contd			
			.BATTERIES AND CARRIER -			
NI	A	6MT4	6140-99-778-6358	355	2)Alter-
			..BATTERY, SECONDARY, 12V, 120 Ah rating)natives
NI	A		6140-99-778-6358	6RWZ17L	2)
			..BATTERY, SECONDARY, 12V, 128 Ah rating			
NI	A	NP	NP	91048064	2)
			..SUPPORT, BATTERY CARRIER			
NI	A		..BOLT		4)Support to
NI	A		..WASHER		4)chassis
NI	A	NP	NP	91026173	2)
			..CARRIER, BATTERY			
NI	A		..SCREW		4)Support
NI	A		..WASHER		4)to
NI	A		..NUT		4)carrier
NI	A	7BD	2590-99-732-9763	91087582	1)
NI	A	7BD	5306-99-748-2954)
			..CLAMP ASSEMBLY, BATTERY			
			..BOLT, SQUARE NECK, ISO metric, steel, oval hd, 8 mm x 225 mm lg)
NI	A	7BD	5340-99-748-2956	91052505	2)Battery retaining
			..ROD, CLAMPING, steel, hook one end, 8 mm thd other end, 329 mm lg)
NI	A	7BD	5310-99-827-7061	91037936	2)
			..NUT, PLAIN, WING, ISO metric, steel, 8 mm)
NI	A	7BD	6140-99-797-0537	91028862	4)
NI	A	7BD	2540-99-748-2957	91038223	1)
			..COVER ASSEMBLY, BATTERY			
			..LABEL, WARNING, PVC film, voltage and polarity warning			
NI	A	7BD	5930-99-748-1912	91028294	1)
			..SWITCH, ROTARY, battery, isolating; c/w conduit and plug			
NI	A	G1	5305-99-122-8667	91057470	1)
NI	A		..SCREW, MACHINE)
NI	A		..WASHER, FLAT		AR)Switch
NI	A		..NUT, PLAIN, HEXAGON)mtg

398

ARMY EQUIPMENT
SUPPORT PUBLICATIONS

2320-L-701-711

FIG ITEM	MAN CODE NAVY - N ARMY - A RAF - R	NATO STOCK NUMBER	ITEM NAME AND DESCRIPTION	PART NO./ DRAWING NO.	NO. OFF	ANNOTATIONS	
NI	A	6MT4	5935-99-809-8706	ELECTRICAL EQUIPMENT - contd			
				•BOX, INTERVEHICLE CONNECTOR ASSEMBLY	FV634272	1	
NI	A	6MT1	5330-99-762-6278	•RING, SEALING, TOROIDAL, rubber, 5/8 in. id x 3/16 in. h; cable entry seal		2	
NI	A	G1	5306-99-122-8099	•BOLT, MACHINE		} AR } Connector to bracket	
NI	A			•WASHER, LOCK			
NI	A	G1	5310-99-122-5295	•NUT, PLAIN, HEXAGON			
NI	A	7BD	2590-99-833-2633	•SWITCH ASSEMBLY, WARNING: low coolant level	91003119		1
NI	A	6MT4	2920-99-827-3211	•SOLENOID, RELAY	76844	1	} Starter
NI	A	6MT4	2920-99-838-5504	•RESISTOR, STARTER	6265-464	1	
NI	A	6MT3	2590-99-748-2484	•HORN, ELECTRICAL, 24V, high note; c/w mtg bracket	70289	1	} motor
NI	A	7BD	5310-99-833-4775	•NUT; horn fixing	7084469	4	
NI	A	6MT3	2590-99-748-2486	•HORN, ELECTRICAL, 24V, low note; c/w mtg bracket	70244	1	} Convoy
NI	A	7BD	6210-99-836-1949	•LIGHT, PANEL	91065162	1	
NI	A	X5	6240-99-995-2253	•LAMP, FILAMENT	DL-1	1	} light
NI	A	7BD	6220-99-836-1948	•LIGHT, REGISTRATION PLATE	91079377	1	
NI	A	X5	6240-99-995-2253	•LAMP, FILAMENT	DL-1	1	} Registra- tion plate
NI	A	7BD	6210-99-833-2649	•LIGHT, PANEL	91042273	1	
NI	A	X5	6240-99-995-2525	•LAMP, FILAMENT	9965831	1	} Cab
NI	A	6MT4	5930-99-817-0563	•SWITCH, ON-OFF	8838720	1	
							} rooflight
NI	A	6MT3	6220-99-835-0444	•LIGHT, FOG	FV939003	2	
NI	A	6MT3	6220-99-838-3613	•LENS ASSEMBLY, LIGHT	54591514	1	} Rear } foglight
NI	A	X5	6240-99-995-3244	•LAMP, FILAMENT	DL-1	2	
NI	A	6MT3	6220-99-835-0445	•LIGHT, REVERSING	FV939004	2	} Reversing
NI	A	6MT3	6220-99-742-7868	•REVERSE LIGHT LENS ASSEMBLY	54592255	1	
NI	A	X5	6240-99-995-3244	•LAMP, FILAMENT	DL-1	1	} light
NI	A	7BD	2590-99-748-2509	•WIRING HARNESS, 1430 mm lg; gearbox switch to reversing light	91082518	1	
NI	A	7BD	5340-99-838-3110	•CLAMP, LOOP	7212116	4	} Tail harness front
NI	A	7BD	5340-99-748-2962	•CLIP, SPRING TENSION, steel, 25mm clamp dia, self-fixing	91020071	2	
NI	A	6MT1	5340-99-748-2964	•CLIP, SPRING TENSION, steel, 8 mm dia double grip, 1 mtg hole	33960-11	6	} Tail harness front
NI	A	7BD	5340-99-748-6781	•CLAMP, LOOP, steel, 25 mm grip dia, 7 mm dia mtg hole	91013971	1	
NI	A	7BD	5340-99-838-4821	•CLAMP, LOOP	91029197	2	} Cab harness
NI	A	7BD	2590-99-814-8368	•CLIP, PIPE	125921	2	
NI	A	7BD	5340-99-809-7201	•CLIP, SPRING TENSION	6357421	10	
NI	A	7BD	5340-99-755-9393	•STRAP, LINE SUPPORTING, nylon, 140 mm lg; w/int buckle	2704760	1	} Tail harness front
NI	A	7BD	5340-99-752-2634	•STRAP, RETAINING	91067600	5	
NI	A	7BD	5340-99-748-6778	•STRAP, LINE SUPPORTING, plastics, 12 in. lg; w/int buckle	2685102	1	} Cable to steering column
NI	A	Z1	5340-99-120-0636	•STRAP, RETAINING	R2	3	
NI	A	KG	5340-99-136-6205	•STRAP, LINE SUPPORTING	SST2H	10	} Cab floor
NI	A	7BD	5325-99-748-2965	•GROMMET, RUBBER, 10 mm hole dia, cut through radial	11061129	2	
NI	A	7BD	5325-99-748-2963	•GROMMET, PLASTICS, 20 mm hole dia, for 25 mm dia hole	91054998	4	

399

FIG ITEM	MAN CODE NAVY - N ARMY - A RAF - R	NATO STOCK NUMBER	ITEM NAME AND DESCRIPTION	PART NO./ DRAWING NO.	NO. OFF	ANNOTATIONS
NI NI	A A Z42	5975-99-960-3522	ELECTRICAL EQUIPMENT -- contd •CRADLE, ELECTRICAL •CRADLE, ELECTRICAL	91020475 91013024	3 3	

400

ARMY EQUIPMENT
SUPPORT PUBLICATIONS

2320-L-7-1-711

FIG ITEM	MAN CODE NAVY - N ARMY - A RAF - R	NATO STOCK NUMBER	ITEM NAME AND DESCRIPTION	PART NO./ DRAWING NO.	NO. OFF	ANNOTATIONS	
NI	A	7BD	2590-99-836-1944	ELECTRICAL EQUIPMENT -- contd ..WIRING HARNESSSES - ..WIRING HARNESS, BRANCHED	91057603	1	Cab harness
NI	A	Y3	6145-99-628-3639	...CABLE, SPECIAL PURPOSE, ELECTRICAL, 14/.30 mm, PVC covered, black	ZA76-1	AR	
NI	A	Y3	6145-99-015-1817	...WIRE, ELECTRICAL, 28/.30 mm, PVC covered, black	PV376-1		
NI	A	Y3	6145-99-015-1818	...WIRE, ELECTRICAL, 35/.30 mm, PVC covered, black	PV312-1		
NI	A	Y3	6145-99-625-6323	...WIRE, ELECTRICAL, 44/.30 mm, PVC covered, black	PV3A76-1		
NI	A	6MT4	5940-99-810-1632	...TERMINAL, QUICK DISCONNECT	3000H4B	10	
NI	A	6MT4	5940-99-804-0380	...TERMINAL, QUICK DISCONNECT	3000H11C	3	
NI	A	6MT4	5940-99-809-1189	...TERMINAL, QUICK DISCONNECT	3000H20A	10	
NI	A	6MT4	5940-99-813-6597	...TERMINAL, QUICK DISCONNECT	3000H20FB	15	
NI	A	6MT4	5940-99-810-9804	...TERMINAL, QUICK DISCONNECT	3000HR52	5	
NI	A	6MT4	5940-99-110-6345	...TERMINAL, QUICK DISCONNECT	3000H19FB	15	
NI	A	6MT4	5940-99-809-9148	...TERMINAL, QUICK DISCONNECT	3000M1	1	
NI	A	6MT4	5940-99-814-0949	...TERMINAL, QUICK DISCONNECT	3500HR54	1	
NI	A	6MT4	5940-99-755-0297	...TERMINAL, QUICK DISCONNECT	SSP40-55	2	
NI	A	6MT4	5940-99-805-1264	...FERRULE ELECTRICAL CONDUCTOR	SST3	14	
NI	A	6MT4	5940-99-895-4406	...TERMINAL, SIDE AND TAIL LAMP	SST4	14	
NI	A	6MT4	5940-99-830-7752	...TERMINAL, LUG	T154	12	
NI	A	6MT4	5940-99-830-7753	...TERMINAL, LUG	T155	4	
NI	A	6MT4	5940-99-830-7754	...TERMINAL, LUG	T156	1	
NI	A	6MT4	5940-99-810-1625	...TERMINAL, QUICK DISCONNECT	SS20-55	50	
NI	A	6MT4	5940-99-810-1626	...TERMINAL, QUICK DISCONNECT	SS20-78	25	
NI	A	6MT4	5940-99-811-8704	...FERRULE, ELECTRICAL CONDUCTOR	SS20-93	22	
NI	A	6MT4	5940-99-813-9225	...FERRULE, ELECTRICAL CONDUCTOR	TPS-19A	2	
NI	A	6MT4	5940-99-813-9224	...TERMINAL, PIN	TPS-20A	1	
NI	A	6MT4	5940-99-755-7819	...FERRULE, ELECTRICAL CONDUCTOR, brass, 5 mm od x 30 mm lg, closed end	TP5-19D	2	
NI	A	6MT4	5999-99-824-7245	...CONTACT, ELECTRICAL	151604-1	2	
NI	A	6MT4	5940-99-825-4147	...TERMINAL, QUICK DISCONNECT	153210-2	19	
NI	A	6MT4	5940-99-825-4149	...TERMINAL, QUICK DISCONNECT	154662-2	2	
NI	A	6MT4	5935-99-805-2902	...CONTACT, ELECTRICAL	861122	3	
NI	A	6MT4	5940-99-831-4999	...TERMINAL, QUICK DISCONNECT	54191137	4	
NI	A	6MT4	6250-99-810-1628	...CONTACT, ELECTRICAL	11-1568	8	
NI	A	6MT4	5940-99-805-0704	...TERMINAL, LUG	ST1	2	
NI	A	6MT4	5940-99-825-4148	...TERMINAL, QUICK DISCONNECT	153211-2	12	
NI	A	6MT4	5940-99-825-4151	...TERMINAL, QUICK DISCONNECT	153227-2	1	
NI	A	Z42	5975-99-105-9103	...CABLE NIPPLE, ELECTRICAL	RS48	26	
NI	A	6MT4	5975-99-881-9388	...CABLE NIPPLE, ELECTRICAL	RS49	6	
NI	A	6MT4	5975-99-805-0379	...CABLE NIPPLE, ELECTRICAL	RS63	3	
NI	A	6MT4	5975-99-881-2916	...CABLE NIPPLE, ELECTRICAL	RS90	11	
NI	A	6MT4	5975-99-814-0879	...COVER, TERMINAL	RS152	1	
NI	A	6MT4	5975-99-814-7754	...INSULATOR	RS163	1	
NI	A	6MT4	5975-99-811-7039	...CAP, INSULATING	A574	16	
NI	A	6MT3	6250-99-824-7212	...LAMPHOLDER	21/878	2	
NI	A	6MT3	6250-99-810-9789	...SHELL, LAMPHOLDER	13/1567	4	
NI	A	6MT4	5935-99-747-9317	...SHELL, ELECTRICAL CONNECTOR	TP51P	1	
NI	A	6MT4	5940-99-805-0295	...SOCKET, 5-way	SSS51	1	
NI	A	6MT4	5940-99-881-2918	...INSULATING SLEEVE, CONDUCTOR SPLICE	SSS91	1	
NI	A	6MT4	5940-99-805-0002	...SPLICE, CONDUCTOR	1038876	9	
NI	A	6MT4	5940-99-805-0292	...SPLICE, CONDUCTOR	7088827	3	
NI	A	7BD	5940-99-895-2672	...SPLICE, CONDUCTOR	7091666	1	
NI	A	6MT4	5940-99-881-2627	...SPLICE, CONDUCTOR	7123272	7	

1401

FIG ITEM	MAN CODE NAVY - N ARMY - A RAF - R	NATO STOCK NUMBER	ITEM NAME AND DESCRIPTION	PART NO./ DRAWING NO.	NO. OFF	ANNOTATIONS	
			ELECTRICAL EQUIPMENT - contd .WIRING HARNESSSES - contd ..WIRING HARNESS, BRANCHED - contd			Cab harness - contd	
NI	A	6MT4	5935-99-824-7346	...SHELL, ELECTRICAL SOCKET	PM144	1	
NI	A	6MT4	5935-99-831-7251	...MOULDING, CONNECTOR	PM310	1	
NI	A	6MT4	5935-99-831-7252	...MOULDING, CONNECTOR	PM322	1	
NI	A	6MT4	5935-99-825-1916	...SHELL, ELECTRICAL SOCKET	153236-1	1	
NI	A	6MT4	5935-99-825-4143	...SHELL, ELECTRICAL SOCKET	153237-1	1	
NI	A	6MT4	5935-99-825-7565	...MOULDING, CONNECTOR	AMP153228-1	3	
NI	A	6MT4	2920-99-825-0989	...SERVICE KIT, INHIBITOR	6010-35	1	
NI	A	6MT4	5935-99-805-0220	...SOCKET, ELECTRICAL	860363	1	
HI	A	7BD	5920-99-756-1973	...FUSE BOX, plastics, 12 x 35 A fuses, 150 mm lg x 36 mm w x 43 mm h	91024501	1	
NI	A	6MT4	5325-99-810-9786	...GROMMET, RUBBER	RS30A	1	
NI	A	7BD	2590-99-833-2640	..WIRING HARNESS, BRANCHED.	91023819	1	Tail front
NI	A	Y3	6145-99-628-3639	...CABLE, SPECIAL PURPOSE, ELECTRICAL, 14/.30 mm, PVC covered, black	2A76-1) AR	
NI	A	Y3	6145-99-015-1817	...WIRE, ELECTRICAL, 28/.30 mm, PVC covered, black	PV376-1		
NI	A	Y3	6145-99-015-1818	...WIRE, ELECTRICAL, 35/.30 mm, PVC covered, black	PV312-1		
NI	A	Y3	6145-99-625-6323	...WIRE, ELECTRICAL, 44/.30 mm, PVC covered, black	PV3A76-1		
NI	A	6MT4	5940-99-810-1632	...TERMINAL, QUICK DISCONNECT	3000H4B	2	
NI	A	6MT4	5940-99-805-0380	...TERMINAL, QUICK DISCONNECT	3000H11C	2	
NI	A	Z37	5940-99-105-9100	...TERMINAL, QUICK DISCONNECT	3000H19A	1	
NI	A	6MT4	5940-99-809-1189	...TERMINAL, QUICK DISCONNECT	3000H20A	1	
NI	A	6MT4	5920-99-804-8628	...HOLDER, FUSE, TERMINAL	SST2	4	
NI	A	6MT4	5940-99-895-4406	...TERMINAL, SIDE AND TAIL LAMP	SST4	4	
NI	A	6MT4	5940-99-813-6599	...TERMINAL, QUICK DISCONNECT	SST17-19A	1	
NI	A	6MT4	5940-99-813-6598	...TERMINAL, QUICK DISCONNECT	SST17-20A	9	
NI	A	6MT4	5940-99-819-7651	...TERMINAL, QUICK DISCONNECT	T77	5	
NI	A	6MT4	5940-99-819-7650	...TERMINAL, QUICK DISCONNECT	T78	4	
NI	A	6MT4	5940-99-756-1974	...TERMINAL, QUICK DISCONNECT, int, 23 mm lg, twin sleeve	T108	2	
NI	A	6MT4	5940-99-810-1625	...TERMINAL, QUICK DISCONNECT	SS20-55	3	
NI	A	6MT4	5940-99-810-1626	...TERMINAL, QUICK DISCONNECT	SS20-78	2	
NI	A	6MT4	5940-99-811-8704	...FERRULE, ELECTRICAL CONDUCTOR	SS20-93	5	
NI	A	6MT4	5940-99-825-4148	...TERMINAL, QUICK DISCONNECT	153211-2	19	
NI	A	6MT4	5940-99-825-4151	...TERMINAL, QUICK DISCONNECT	153227-2	2	
NI	A	6MT4	5935-99-805-2902	...CONTACT, ELECTRICAL	861122	3	
NI	A	Z42	5975-99-105-9103	...CABLE NIPPLE, ELECTRICAL	RS48	1	
NI	A	6MT4	5975-99-881-9388	...CABLE NIPPLE, ELECTRICAL	RS49	2	
NI	A	6MT4	5975-99-805-0379	...CABLE NIPPLE, ELECTRICAL	RS63	2	
NI	A	6MT4	5975-99-881-2916	...CABLE NIPPLE, ELECTRICAL	RS90	1	
NI	A	Z42	5970-99-640-1757	...INSULATION SLEEVING, ELECTRICAL		1	
NI	A	Z42	5970-99-640-1755	...INSULATION SLEEVING, ELECTRICAL		1	
NI	A	6MT4	5940-99-805-0292	...SPLICE, CONDUCTOR	SS22	1	
NI	A	6MT4	5940-99-805-0295	...SOCKET; 5 way	SSS51	1	
NI	A	6MT4	5935-99-805-0220	...SOCKET, ELECTRICAL	860363	3	
NI	A	6MT4	5935-99-825-4152	...SHELL, ELECTRICAL CONTACT	153230	3	
NI	A	6MT4	5940-99-838-3119	...TERMINAL, QUICK DISCONNECT	A1002-2	5	
NI	A	6MT4	5325-99-747-9780	...GROMMET, RUBBER	RS261	1	
NI	A	6MT4	5935-99-825-9134	...PLUG, POLARISING, plastic, 1/4 in. lg x 11/64 in. sq sect		6	
NI	A	7BD	2590-99-833-2641	..WIRING HARNESS	91024211	1	Tail rear
NI	A	Y3	6145-99-628-3639	...CABLE, SPECIAL PURPOSE, ELECTRICAL, 14/.30 mm, PVC covered, black	2A76-1) AR	

404

FIG ITEM	MAN CODE NAVY - N ARMY - A RAF - R	NATO STOCK NUMBER	ITEM NAME AND DESCRIPTION	PART NO./ DRAWING NO.	NO. OFF	ANNOTATIONS	
			ELECTRICAL EQUIPMENT - contd ..WIRING HARNESSSES - contd ..WIRING HARNESS, BRANCHED - contd			Cab harness - contd	
NI	A	Y3	6145-99-015-1817 ...WIRE, ELECTRICAL, 28/.30 mm, PVC covered, black	PV376-1	1	}AR	
NI	A	6MT4	5940-99-895-4406 ...TERMINAL, SIDE AND TAIL LAMP	SST4	4		
NI	A	6MT4	5940-99-819-7650 ...TERMINAL, QUICK DISCONNECT	T78	10		
NI	A	6MT4	5940-99-810-1625 ...TERMINAL, QUICK DISCONNECT	SS20-55	6		
NI	A	6MT4	5940-99-811-8704 ...FERRULE, ELECTRICAL CONDUCTOR	SS20-93	1		
NI	A	6MT4	5940-99-819-7651 ...TERMINAL, QUICK DISCONNECT	T77	1		
NI	A	6MT4	5940-99-810-1626 ...TERMINAL, QUICK DISCONNECT	SS20-78	1		
NI	A	6MT4	5940-99-805-0002 ...SPLICE, CONDUCTOR	SS2	4		
NI	A	6MT4	5940-99-881-2627 ...SPLICE, CONDUCTOR	SS21	3		
NI	A	6MT4	5975-99-763-1514 ...CONDUIT, ELECTRICAL, FLEXIBLE	PSB0420	5		
NI	A	6MT4	5975-99-757-9418 ...CONNECTOR, CONDUIT, ELECTRICAL, aluminium, 14 mm id, 20 mm male thds	BCM0404	1		
NI	A	7BD	2590-99-755-8207 ..WIRING HARNESS, 5 terminals one end, multi-pin plug other end, 280 mm lg	91055114	1		Infra-red
NI	A	Y3	6145-99-628-3639 ...CABLE, SPECIAL PURPOSE, ELECTRICAL, 14/.30 mm, PVC covered, black	2A76-1	1		}AR
NI	A	Y3	6145-99-105-1817 ...WIRE, ELECTRICAL, 28/.30 mm, PVC covered, black	PV376-1	1		
NI	A	Y3	6145-99-625-6323 ...WIRE, ELECTRICAL, 44/.30 mm, PVC covered, black	PV3A76-1	1		
NI	A	6MT4	5940-99-805-0718 ...TERMINAL LUG	T7	9		
NI	A	6MT4	5940-99-813-9225 ...FERRULE, ELECTRICAL CONDUCTOR	TPS-19A	7		
NI	A	6MT4	5940-99-813-9224 ...TERMINAL, PIN	PT5-20A	2		
NI	A	6MT4	5935-99-827-5276 ...SHELL, ELECTRICAL PLUG	TP91P	1		
NI	A	7BD	2590-99-758-3778 ..WIRING HARNESS, 3 conductors, 500 mm lg, c/w terminals	91065789	1	Rear fog guard	
NI	A	Y3	6145-99-628-3639 ...CABLE, SPECIAL PURPOSE, ELECTRICAL, 14/.30 mm, PVC covered, black	2A76-1	AR		
NI	A	6MT4	5940-99-810-1632 ...TERMINAL, QUICK DISCONNECT	3000H4B	2		
NI	A	6MT4	5940-99-810-1625 ...TERMINAL, QUICK DISCONNECT	SS20-55	2		
NI	A	6MT4	5975-99-881-9388 ...CABLE NIPPLE, ELECTRICAL	RS49	1		
NI	A	7BD	2590-99-833-2639 ..WIRING HARNESS, BRANCHED	91037514	1	Engine	
NI	A	Y3	6145-99-628-3639 ...CABLE, SPECIAL PURPOSE, ELECTRICAL, 14/.30 mm, PVC covered, black	2A76-1	1	}AR	
NI	A	Y3	6145-99-105-1817 ...WIRE, ELECTRICAL, 28/.30 mm, PVC covered, black	PV376-1	1		
NI	A	Y3	6145-99-015-1818 ...WIRE, ELECTRICAL, 35/.30 mm, PVC covered, black	PV312-1	1		
NI	A	Y3	6145-99-625-6323 ...WIRE, ELECTRICAL, 44/.30 mm, PVC covered, black	PV3A76-1	1		
NI	A	Y3	6145-99-625-7664 ...WIRE, ELECTRICAL, 65/.30 mm, PVC covered, black	PV3A12-1	2		
NI	A	6MT4	5940-99-810-1632 ...TERMINAL, QUICK DISCONNECT	3000H4B	1		
NI	A	6MT4	5940-99-805-0380 ...TERMINAL, QUICK DISCONNECT	3000H11C	2		
NI	A	6MT4	5940-99-822-2905 ...TERMINAL, LUG	3000HR65	3		
NI	A	6MT4	5940-99-806-9919 ...TERMINAL, QUICK DISCONNECT	3035F	4		
NI	A	6MT4	5940-99-895-4406 ...TERMINAL	SST4	3		
NI	A	6MT4	5940-99-813-6598 ...TERMINAL, QUICK DISCONNECT	SST17-20A	7		
NI	A	6MT4	5940-99-813-6599 ...TERMINAL, QUICK DISCONNECT	SST17-19A	6		

FIG ITEM	MAN CODE NAVY - N ARMY - A RAF - R	NATO STOCK NUMBER	ITEM NAME AND DESCRIPTION	PART NO./ DRAWING NO.	NO. OFF	ANNOTATIONS
			ELECTRICAL EQUIPMENT - contd			
			..WIRING HARNESSSES - contd			
			..WIRING HARNESS, BRANCHED - contd			
NI	A	6MT4	5940-99-756-3403 ...TERMINAL, QUICK DISCONNECT	T82	3	
NI	A	Z37	5940-99-110-4853 ...TERMINAL, LUG	T4	4	
NI	A	6MT4	5940-99-881-5617 ...TERMINAL, LUG	ST4	2	
NI	A	6MT4	5940-99-755-8893 ...SPLICE, CONDUCTOR	2110-2520	1	
NI	A	Z42	5975-99-105-9103 ...CABLE NIPPLE, ELECTRICAL	RS48	2	
NI	A	6MT1	5975-99-881-9388 ...CABLE NIPPLE, ELECTRICAL	RS49	3	
NI	A	6MT4	5975-99-755-8894 ...CABLE NIPPLE, ELECTRICAL	RS69	2	
NI	A	6MT4	5975-99-757-9184 ...CABLE NIPPLE, ELECTRICAL	RS327	4	
NI	A	6MT4	5975-99-811-0147 ...CABLE NIPPLE, ELECTRICAL	RS126	2	
NI	A	6MT4	5975-99-812-9294 ...CAP, INSULATING	RS42	1	
NI		NP	..CABLE ASSEMBLY, NEGATIVE	9963582	1	Battery to battery isolating switch
NI	A	Y3	6145-99-114-6741 ...WIRE, ELECTRICAL, 61/0.044 in, PVC covered, black	PV636-1	AR	
NI	A	6MT4	5940-99-813-6596 ...TERMINAL, LUG	SL35	1	
NI	A	6MT4	5940-99-193-6330 ...TERMINAL, LUG	7105022	1	
NI	A	6MT4	5975-99-755-8896 ...CABLE NIPPLE, ELECTRICAL: terminal, starter	SS49-437	1	
NI	A	6MT4	5975-99-881-3387 ...COVER, BATTERY TERMINAL	FV580287	1	
NI	A	6MT4	5975-99-748-0504 ...BOLT AND NUT ASSEMBLY, steel, lead coated	B9	1	
NI		NP	..CABLE ASSEMBLY, POSITIVE	9961186	1	Battery to battery isolating switch
NI	A	Y3	6145-99-625-7665 ...WIRE, ELECTRICAL, 61/1.13 mm, PVC covered, red		AR	
NI	A	6MT4	5940-99-813-6596 ...TERMINAL LUG	SL35	1	
NI	A	6MT4	5940-99-193-6329 ...TERMINAL, LUG	B8	1	
NI	A	6MT4	5975-99-881-3387 ...COVER, BATTERY TERMINAL	4931776	1	
NI	A	6MT4	5975-99-748-0504 ...BOLT AND NUT ASSEMBLY, steel, lead coated	B9	1	
NI		NP	..CABLE ASSEMBLY, POSITIVE	91040683	1	Starter to inter- vehicle socket
NI	A	Y3	6145-99-625-7665 ...WIRE, ELECTRICAL, 61/1.13 mm, PVC covered, red		AR	
NI	A	6MT4	5940-99-813-6596 ...TERMINAL LUG	SL35	1	
NI	A	6MT4	5940-99-812-9999 ...TERMINAL LUG	FV620746	1	
NI	A	6MT4	5975-99-755-8898 ...PACKING NUT, CABLE GIAND	5800D213	1	
NI		NP	..CABLE ASSEMBLY, NEGATIVE	91040684	1	Battery to inter- vehicle socket
NI	A	Y3	6145-99-625-7665 ...WIRE, ELECTRICAL, 61/1.13 mm, PVC covered, black		AR	
NI	A	6MT4	5940-99-813-6596 ...TERMINAL LUG	PV636-1	1	
NI	A	6MT4	5940-99-812-9999 ...TERMINAL LUG, INTERVEHICLE	SL35	1	
NI	A	6MT4	5975-99-755-8898 ...PACKING NUT, CABLE GIAND	FV620746	1	
				5800D213	1	
NI	A	7BD	6140-99-833-2634 ..LEAD, SECONDARY BATTERY, 320 mm o/a 1g	91048359	1	Battery inter- connecting

505

FIG ITEM	MAN CODE NAVY - N ARMY - A RAF - R	NATO STOCK NUMBER	ITEM NAME AND DESCRIPTION	PART NO./ DRAWING NO.	NO. OFF	ANNOTATIONS
			ELECTRICAL EQUIPMENT - contd ..WIRING HARNESSSES - contd ..LEAD, SECONDARY BATTERY - contd			Battery inter-connecting
NI A	Y3	6145-99-661-2556	...WIRE, ELECTRICAL, 2214/.20 mm, PVC covered, black	MTR2214	AR	
NI A	6MT4	5940-99-755-8899	...TERMINAL LUG; pos	1384 POS	1	
NI A	6MT4	5940-99-763-4598	...TERMINAL LUG; neg	1384 NEG	1	
NI A	6MT4	5975-99-748-0504	...BOLT AND NUT ASSEMBLY, steel, lead coated	B9	2	
NI A	6MT4	5975-99-881-3387	...COVER, BATTERY TERMINAL	FV580287	2	
NI		NP	..CABLE ASSEMBLY, EARTHING	91065799	1	Cab to timing case
NI A	6MT4	6145-99-805-4603	...BRAID, WIRE	RCB16	AR	
NI A	Z37	5940-99-105-0963	...TERMINAL LUG	CBT3	1	
NI A	6MT4	5940-99-824-7567	...TERMINAL LUG	SL39	1	
NI A	6MT4	5940-99-824-7562	...TERMINAL, CABLE	CBT5	1	
NI A	7BD	2590-99-758-8562	..WIRING HARNESS, 4 conductors, 690 mm lg; c/w terminals, fuse holder and socket assy			
NI A	Y3	6145-99-628-3639	...CABLE, SPECIAL PURPOSE, ELECTRICAL, 14/.30 mm, PVC covered, black	91061034	1	Tachograph
NI A	6MT4	5940-99-810-1625	...TERMINAL, QUICK DISCONNECT	2A76-1	AR	
NI A	7RS	5940-99-207-3073	...TERMINAL, QUICK DISCONNECT	SS20-55	4	
NI A	6MT4	5935-99-817-6796	...RECEPTABLE HOUSING	42238-1	4	
NI A	6MT4	5920-99-834-1931	...FUSEHOLDER	180900-5	4	
NI A	6MT4	5920-99-829-3387	...FUSELINK, CARTRIDGE	FO520459	1	
NI A	6MT4	5920-99-829-3387	...FUSELINK, CARTRIDGE	188209	1	
NI A	7BD	2590-99-759-6655	..WIRING HARNESS, 2 conductors, 2110 mm lg; c/w socket and terminals	91037647	1	Rear differential lock
NI A	Y3	6145-99-628-3639	...CABLE, SPECIAL PURPOSE, ELECTRICAL, 14/.30 mm, PVC covered, black			
NI A	6MT4	5940-99-810-1625	...TERMINAL, QUICK DISCONNECT	2A76-1	AR	
NI A	6MT4	5935-99-755-8902	...CONNECTOR, FREE, ELECTRICAL; twin contacts	SS20-55	6	
NI A				09882001	1	
NI A					1	
NI A	G1	5310-99-139-5967	...WASHER, FLAT		1	
NI A	7BD	5975-99-755-8904	...CABLE, NIPPLE, ELECTRICAL, rubber, 12.5 mm id x 51 mm lg	91069553	1	
NI A	6MT4	5975-99-762-4678	...CONDUIT, ELECTRICAL, FLEXIBLE, metal/plastics, 10 mm od	PSB0110	AR	
NI A	6MT4	5975-99-839-3864	...CONNECTOR, CONDUIT, ELECTRICAL, aluminium, 2 piece c/w sleeve, 18 mm od, 16 mm male thd	BCM0103	1	
NI A	6MT4	7025-99-627-8651	...STRAP, CABLE	SST1-5	AR	
NI		NP	..CABLE ASSEMBLY, POSITIVE	91049452	1	Isolating switch
NI A	Y3	6145-99-625-7665	...WIRE ELECTRICAL, 61/1.13 mm, PVC covered, rd	PV636-1	AR	
NI A	6MT4	5940-99-813-6596	...TERMINAL, LUG	SL35	2	
NI A	7BD	2590-99-748-1423	..LEAD, ELECTRICAL, 80 mm lg, black; c/w 2 terminals and connectors	91076841	1	(Tail harness to junction box

405

FIG ITEM	MAN CODE NAVY - N ARMY - A RAF - R	NATO STOCK NUMBER	ITEM NAME AND DESCRIPTION	PART NO./ DRAWING NO.	NO. OFF	ANNOTATIONS	
NI	A	Y3	6145-99-015-1817	ELECTRICAL EQUIPMENT - contd .WIRING HARNESSSES - contd ..LEAD, ELECTRICAL, 80 mm lg, black; c/w 2 terminals and connectors - contd ...WIRE, ELECTRICAL, 28/0.30 mm, black, PVC covered	PV376-1	AR	
NI	A	6MT4	5940-99-810-1626	...TERMINAL, QUICK DISCONNECT	SS20-78	2	
NI	A	6MT4	5940-99-805-0292	...SPLICE, CONDUCTOR	SS22	1	
NI		NP	..CABLE ASSEMBLY	91040681	1	1	Isolating switch to starter negative
NI	A	Y3	6145-99-625-7665	...WIRE, ELECTRICAL, 61/1.13 mm, PVC covered, black	PV636-1	AR	
NI	A	6MT4	5940-99-813-6596	...TERMINAL IUF	SL35	2	
NI	A	Z42	5975-99-104-7713	...CABLE NIPPLE, ELECTRICAL	5549-437	1	
NI	A	6MT4	5935-99-825-9134	...PLUG, POLARISING, plastic, red, 1/4 in. lg, 11/64 in. sq sect	CS3286-1	1	
NI	A	7BD	2590-99-833-2644	..WIRING HARNESS, BRANCHED	91045448	1	Winch
NI	A	7BD	2590-99-765-8954	..WIRING HARNESS, 3 conductors, 1730 mm lg, pto indicator lamp	91085871	1	
NI	A	7BD	2590-99-838-9036	..WIRING HARNESS, 2 conductors, 5,500 mm lg, pto indicator switch	91085820	1	
NI	A	7ED	6210-99-833-7775	..LIGHT INDICATOR, 24V, 2W, amber lens	91067931	1	

906

FIG ITEM	MAN CODE NAVY - N ARMY - A RAF - R	NATO STOCK NUMBER	ITEM NAME AND DESCRIPTION	PART NO./ DRAWING NO.	NO. OFF	ANNOTATIONS
NI	A	7BD	5310-99-544-2330	ELECTRICAL EQUIPMENT - contd ..WIRING HARNESS FITTINGS - ..NUT, PLAIN HEXAGON	91033738	1
NI	A	G1	5310-99-940-2994	..NUT, PLAIN HEXAGON, Whit, steel, 5/8 in.		12
NI	A	7BD	5330-99-759-0935	..RING, SEALING, TOROIDAL	2887067	1
NI	A	6MT1	5330-99-101-6612	..RING, SEALING, TOROIDAL	8847135	1
NI	A	6MT1	5340-99-833-6974	..CLIP, SPRING TENSION	19890-11	1
NI	A	7BD	5340-99-748-6781	..CLAMP, LOOP, steel, 25 mm grip, dia, 7 mm dia mtg hole	91013947	1
NI	A	7BD	5340-99-748-1904	..CLAMP, LOOP, steel, 25 mm grip dia, 14.30 mm dia mtg hole	91013085	1
NI	A	7BD	5340-99-838-4821	..CLAMP, LOOP	91029197	2
NI	A	6MT1	5340-99-755-8911	..CLIP, SPRING TENSION, steel, 'S'-shaped, for 8 mm dia cables and 8 mm thk panel	39080-29	1
NI	A	7BD	5340-99-804-2569	..CLIP, SPRING TENSION	6358148	3
NI	A	7BD	5340-99-755-8912	..CLAMP, LOOP, steel, 11/16 in. grip dia, 3/8 in. dia mtg hole	6304554	1
NI	A	6MT1	5340-99-748-2964	..CLIP, SPRING TENSION, steel, 8 mm dia double grip, 1 mtg hole		6
NI	A	7BD	5340-99-748-1906	..CLIP, SPRING TENSION, steel, for 16 mm dia cables and 4 mm thk panel	91021733	1
NI	A	6MT1	5340-99-831-4987	..CLIP, SPRING TENSION, steel, 3/8 in. grip dia, panel fixing		1
NI	A	7BD	2805-99-874-1750	..CLIP, CABLE, STOP AND TAILLIGHT	7161277	1
NI	A	Z42	5975-99-960-3522	..CRADLE, ELECTRICAL	C1	6
NI	A	7BD	5340-99-809-7201	..CLIP, SPRING TENSION	6357421	12
NI	A	7BD	2590-99-895-2639	..PROTECTOR, ELECTRICAL CABLE	7090363	1
NI	A	Z1	5340-99-120-0636	..STRAP, RETAINING	R2	3
NI	A	Z1	5340-99-120-0637	..STRAP, RETAINING	R3	3
NI	A	7BD	5340-99-824-6033	..STRAP, LINE SUPPORTING	8838564	3
NI	A	7BD	5340-99-748-6778	..STRAP, LINE SUPPORTING, plastics 12 in. lg x 1/4 in. w; c/w buckle	2685102	1
NI	A	7BD	5340-99-824-8871	..STRAP, LINE SUPPORTING	7212111) AR
NI	A	KG	5340-99-136-6205	..STRAP, LINE SUPPORTING	SST2H	
NI	A	Z42	5975-99-034-2705	..STRAP, TIE DOWN, ELECTRICAL COMPONENTS	SST1-51	
NI	A	6MT1	5340-99-748-0345	..STRAP, LINE SUPPORTING, nylon, 208 mm lg x 3.4 mm w; w/buckle)
NI	A	G1	5310-99-122-5296	..NUT, PLAIN, HEXAGON, steel, 8 mm		4
NI	A	G1	5310-99-122-6475	..WASHER, FLAT, steel, 8 mm		4

1407

804

Answer

Answer

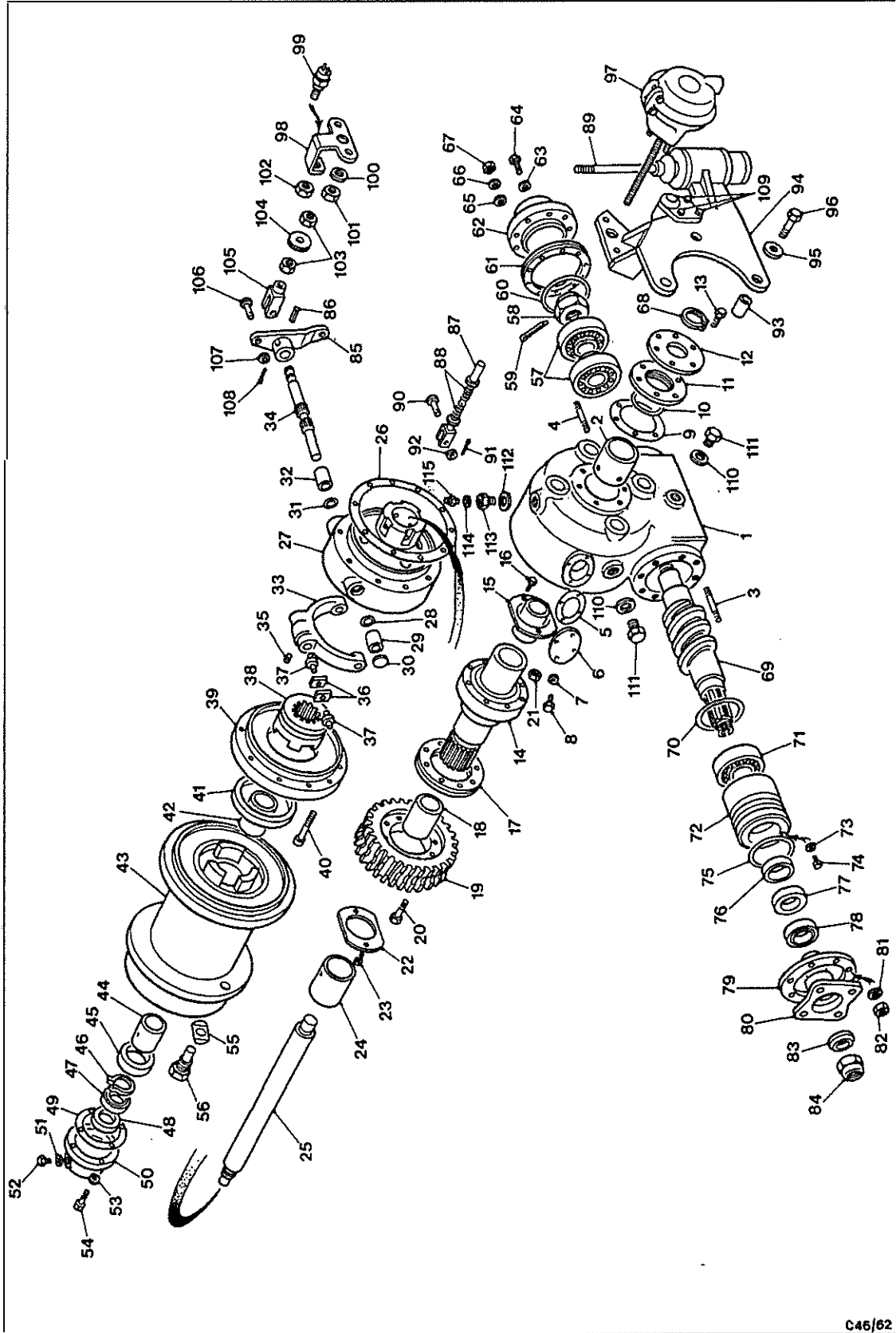
ARMY EQUIPMENT
SUPPORT PUBLICATIONS

2320-L-701-711

CHAPTER 2-11
WINCH

469

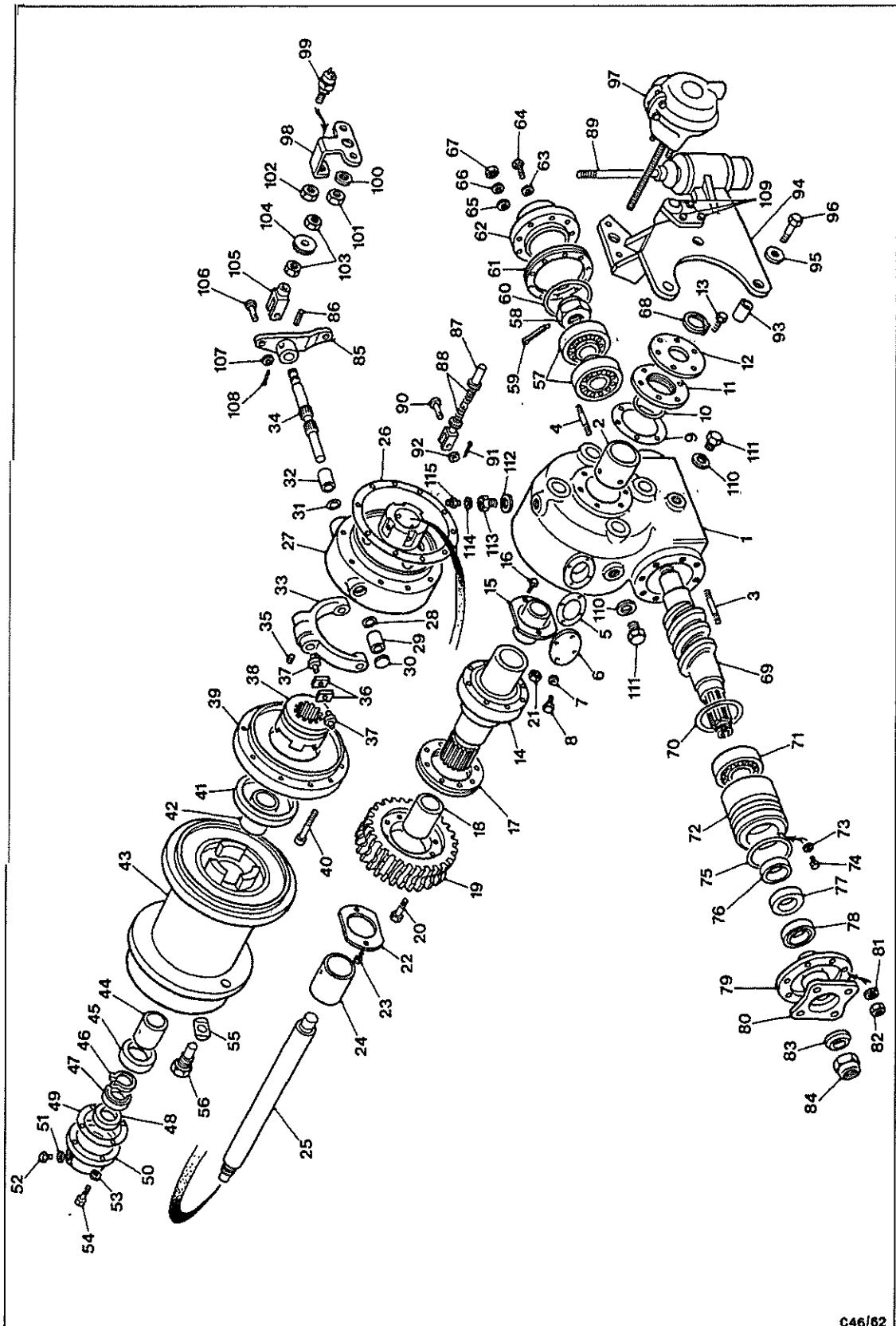
Issued Nov. 1983



410

Fig 1 Winch

FIG ITEM	MAN CODE NAVY - N ARMY - A RAF - R	NATO STOCK NUMBER	ITEM NAME AND DESCRIPTION	PART NO./ DRAWING NO.	NO. OFF	ANNOTATIONS
Fig 1			WINCH -			
1-115		NP	..WINCH DRUM AND DRIVING SHAFTS	AWG13509	1	
1		NP	..WORMCASE ASSEMBLY	BWG13551	1	
2	A 7WG	3120-99-874-1047	...BEARING, SLEEVE	DWG10504	1	
NI			...PIN, STRAIGHT, HEADLESS: locating clutch case	TGS/251/ L/3/4	1	
3	A 7WG	5307-99-848-0293	...STUD, PLAIN	FV156691	8	
4	A 7WG	5307-99-848-0294	...STUD, PLAIN	FV156692	8	
NI	A G1	5305-99-101-7573	...SCREW, DRIVE, steel, rd hd, No. 0 x 1/4 in.lg		4	
5	A 7WG	5330-99-814-8512	..GASKET, paper, oval shape, 4-1/4 in.w x 0.010 in.thk	EWG10580	1	
7	A G1	5310-99-941-6654	..WASHER, LOCK, steel, split helical ring, 1/4 in. id		4	
8	A G1	5305-99-941-0687	..SCREW, MACHINE, UNC, steel, hex hd, 1/4 in. x 3/4 in.lg		4	
9	A 7WG	5330-99-874-1058	..GASKET	DWG10592	1	
10	A 6MT1	5330-99-742-2529	..RING, SEALING, TOROIDAL		1	
11	A 7WG	2590-99-874-1050	..RETAINER, OIL SEAL	CWG10522	1	
13	A 7WG	5306-99-757-3765	..BOLT, SELF-LOCKING, UNC, steel, hex hd, 3/8 in. x 1 in. lg	TGS368C-1	6	
14	A 7WG	3020-99-744-6328	..SHAFT, SHOULDERED, steel, 11-5/8 in. o/a lg, 37 splines one end, 8-13/16 in. dia flange	BWG10506	1	
16	A 7WG	5315-99-874-2281	..PIN, SHOULDER, HEADLESS	EWG3348	4	
17	A 7WG	5365-99-744-6329	..SPACER, RING, steel or brass 6-15/32 in.id x 8-3/4 in.od x 0.005 in.thk, 8 mtg holes	EWG10584)	
NI	A 7WG	5365-99-742-2523	..SPACER, RING, steel or brass, 6-15/32 in.id x 8-3/4 in.od x 0.010 in.thk, 8 mtg holes	EWG10585)	AR
NI	A 7WG	5365-99-742-1827	..SPACER, RING, steel or brass, 6-15/32 in.id x 8-3/4 in.od x 0.020 in.thk, 8 mtg holes	EWG10586))
18	A 7WG	3120-99-814-8513	..BEARING, SLEEVE, steel/bronze, 3.4 in.id x 3.6 in.od x 4 in.lg	DWG10516	1	
19	A 7WG	3020-99-742-7905	..GEAR, phosphor bronze, 25 teeth	BWG10505	1	
20	A G1	5306-99-138-9083	..BOLT, MACHINE, UNF, steel, hex hd, 5/8 in. x 2-7/8 in.lg		8	
21	A G1	5310-99-923-0540	..NUT, SELF-LOCKING, HEXAGON, UNF, steel, 5/8 in.		8	
22	A 7WG	3120-99-814-8514	..WASHER, THRUST, steel/bronze, 4.8 in.id x 6.3 in.od x 0.1 in. thk, 2 mtg holes	DWG10509	2	
NI	A 7WG	5365-99-742-2538	..SHIM, steel, 4.85 in.id x 6.3 in. od x 0.010 in.thk	CWG14284))
NI	A 7WG	5365-99-742-1882	..SHIM, steel, 4.85 in.id x 6.3 in. od x 0.005 in. thk	CWG14285)	AR
NI	A 7WG	5365-99-742-2539	..SHIM, steel, 4.85 in.id x 6.3 in. od x 0.003 in. thk	CWG14286))
NI	A 7WG	5365-99-742-1887	..SHIM, steel, 4.85 in.id x 6.3 in. od x 0.002 in. thk	CWG14287))
23	A 7WG	5365-99-874-2281	..PIN, SHOULDER, HEADLESS	EWG3348	4	
24	A 7WG	3120-99-874-1047	..BEARING, SLEEVE, steel/bronze, 4.8 in.id x 5 in.od x 2.625 in. lg	DWG10504	1	
25	A 7WG	2590-99-767-7211	..SHAFT, SHOULDERED, steel, 3.3973 in.max dia x 28 in. o/a lg	BWG13524	1	
26	A 7WG	2590-99-874-1059	..GASKET: clutch case to wormcase	CWG10593	1	
27-32		NP	..CLUTCH CASE ASSEMBLY	BWG13550	1	
28	A		...RING, SEALING, TOROIDAL		1	
29	A 7WG	3120-99-848-0648	...BEARING, SLEEVE, bronze, 7/8 in. id x 1-1/4 in.od x 1-7/8 in.lg	EWG2483	1	

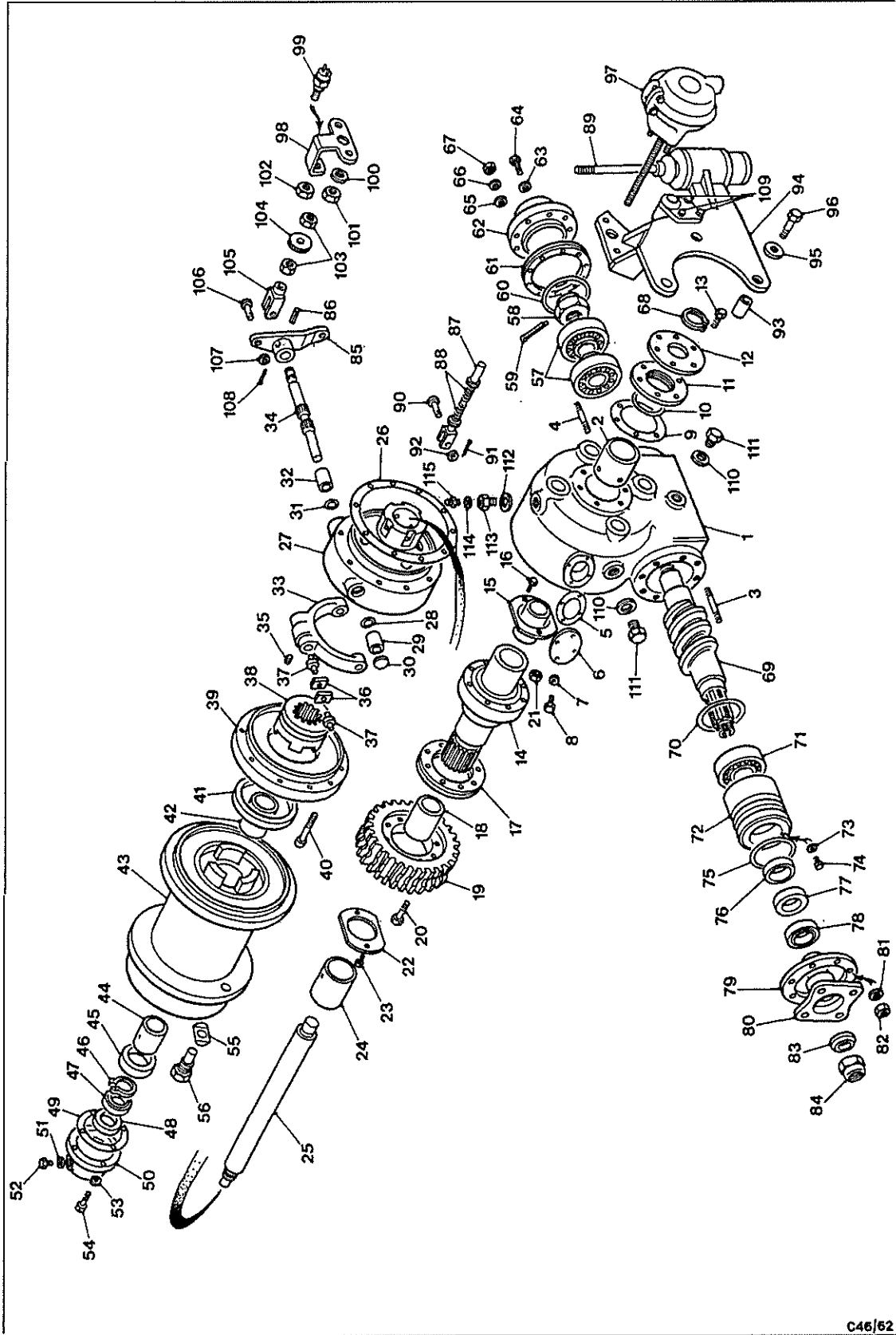


442

Fig 1 Winch

FIG ITEM	MAN CODE NAVY - N ARMY - A RAF - R	NATO STOCK NUMBER	ITEM NAME AND DESCRIPTION	PART NO./ DRAWING NO.	NO. OFF	ANNOTATIONS
Fig 1			WINCH -- contd ..WINCH DRUM AND DRIVING SHAFTS - contd ..GASKET: clutch case to wormcase - contd			
30	A 7WG	5340-99-742-7912	...PLUG, EXPANSION, steel, 1-3/8 in. dia, 5/64 in. thk material	TGS 365/V	1	
31	A 6MT1	5330-99-408-4881	...RING, SEALING, TOROIDAL, rubber, 1-1/8 in. id x 1/8 in. h		1	
32	A 7WG	3120-99-848-0647	...BEARING, SLEEVE, steel/bronze, 1.117 in. id x 1.251 in. od x 1.490 in. lg	DWG 2413	1	
33	A 7WG	3040-99-814-8517	..FORK, CLUTCH OPERATING	CWG 10513	1	
34	A 7WG	3040-99-814-8518	..SHAFT, SHOULDERED: clutch operating	CWG 10512	1	
35	A G1	5305-99-941-3084	..SCREW, GRUB, UNF, steel, socket drive, cup point, 5/16 in. x 1/2 in. lg		1	
36	A 7WG	2590-99-744-6331	..SLIPPER BLOCK, bronze, 1.5 in. lg x 0.92 in. w x 0.56 in. thk, 9/16 in. dia mtg hole	DWG 13521	2	
37	A 7WG	5315-99-874-1043	..PIN, SHOULDER, HEADLESS, steel, 1/2 in. dia shank, 1 in. dia shoulder, 29/32 in. o/a lg	EWG 3236 EWG 10514 CWG 10594	2 1 1	
38	A 7WG	2590-99-874-1048	..CLUTCH, HALF, POSITIVE		1	
40	A G1	5305-99-562-0726	..GASKET: clutch case to cover ..SCREW, SOCKET HEAD, UNC, steel, 3/8 in. x 3-1/2 in. lg		8	
41	A 6MT1	5330-99-101-3064	..SEAL, PLAIN, rubber, 8 in. id x 9-1/2 in. od x 9/16 in. w		1	
42	A 7WG	3120-99-814-8513	..BEARING, SLEEVE, steel/bronze, 3.4 in. id x 3.6 in. od x 4 in. lg	10516 AWG13678	1 1	
43	A 7WG	2590-99-767-8403	..ROPE DRUM		1	
44	A 7WG	3120-99-814-5813	..BEARING, SLEEVE, steel/bronze, 3.4 in. id x 3.6 in. od x 4 in. lg	10576	1	
45	A 7WG	3120-99-742-1948	..WASHER, THRUST, phosphor bronze, 3.14 in. id x 4.6 in. od x 0.5 in. thk, int keyway	CWG 13522 DWG 14260 TGS392/ SO312	1 1 1	
47&48	A 6MT1	5330-99-814-8523	..DOWEL ..RING, RETAINING		1	
49	A 7WG	5330-99-874-1060	..SEAL, PLAIN, ENCASED, rubber/ steel, 2.687 in. id x 3.548 in. od x 0.375 in. w	DWG 10594 BWG 13523 AGS 1139CA	1 1 1	
50	NP		..GASKET		1	
51	A Z3	5310-99-100-0157	..END COVER		1	
52	A 7WG	4730-99-742-2702	..WASHER, FLAT	TS268A	1	
53	A G1	5310-99-944-0550	..PLUG, PIPE, BSP, brass, hex hd, 1/8 in.		1	
54	A G1	5305-99-941-0542	..WASHER, LOCK, steel, split helical ring, 3/8 in. id		4	
55	A 7WG	5310-99-874-1053	..SCREW, MACHINE, UNF, steel, hex hd, 3/8 in. x 1-1/8 in. lg	DWG 10546	4 1	
56	A 7WG	2590-99-744-6344	..WASHER, KEY ..BOLT, ROPE ANCHORAGE, UNF, steel, hex hd, 1-1/8 in. x 2-13/16 in. lg	DWG 13314	1	
57	A 6MT7	3110-99-806-1087	..BEARING, TAPERED ROLLER, 2 in. bore x 4-7/8 in. od x 1-7/16 in. lg		2	

614

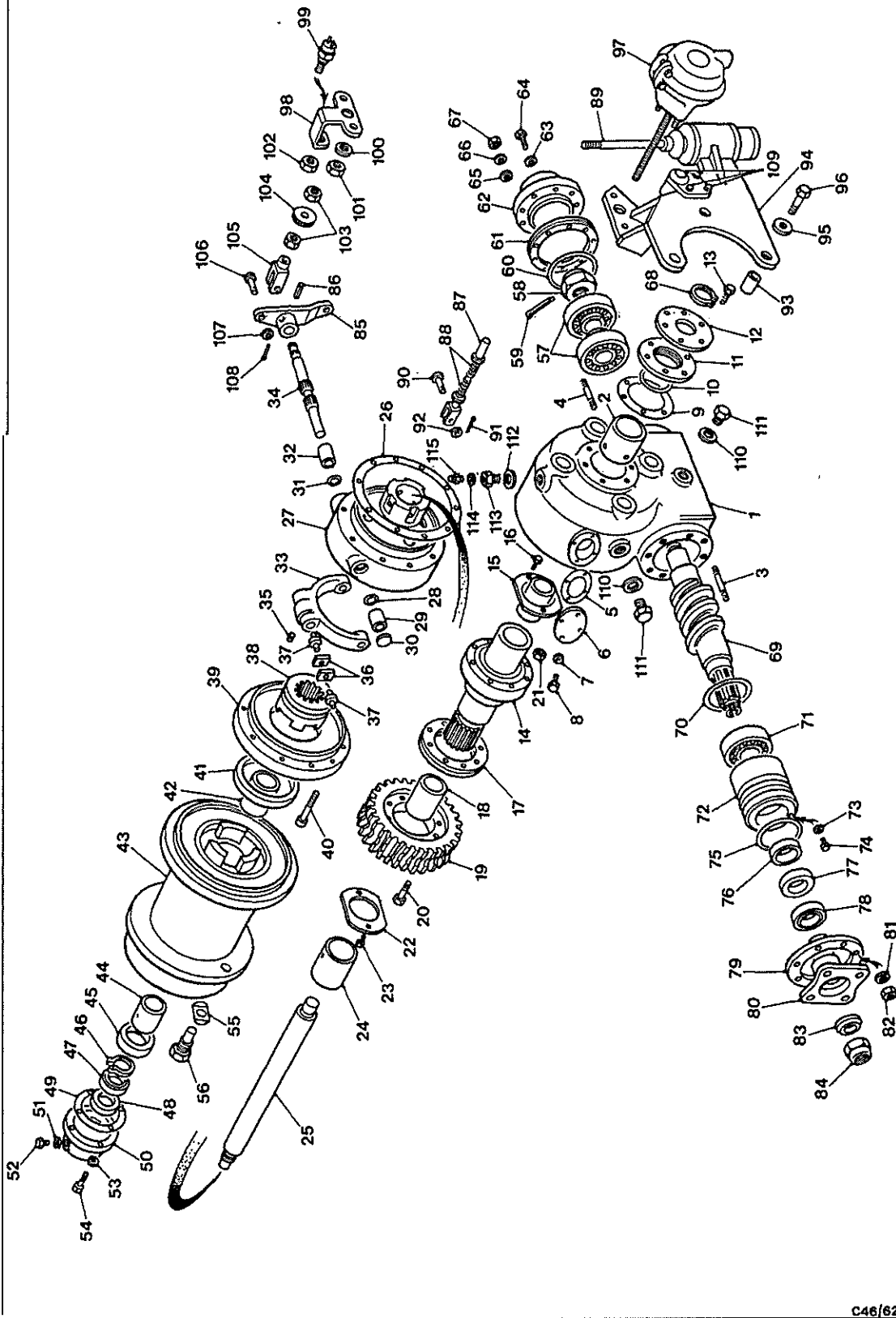


1414

Fig 1 Winch

FIG ITEM	MAN CODE NAVY - N ARMY - A RAF - R	NATO STOCK NUMBER	ITEM NAME AND DESCRIPTION	PART NO./ DRAWING NO.	NO. OFF	ANNOTATIONS
Fig 1			WINCH - contd ..WINCH DRUM AND DRIVING SHAFTS - contd			
58	A 7WG	5310-99-848-0285	..NUT, CASTELLATED, HEXAGON, UN form thd, steel, 1-3/4 in. x 16 tpi	FV156674	1	
59	A G1	5315-99-120-2088	..PIN, COTTER, SPLIT, steel, 7/32 in. dia x 3-1/2 in. lg		1	
60	A 6MT1	5330-99-801-6672	..RING, SEALING, TOROIDAL		1	
61	A 7WG	5340-99-848-0289	..SHIM, steel or brass, 5 in. id x 7-1/4 in. od x 0.005 in thk, 8 mtg holes	FV156683	1	
NI	A 7WG	5340-99-848-0290	..SHIM, steel or brass, 5 in. id x 7-1/4 in. od x 0.010 in. thk, 8 mtg holes	FV156684	1	AR
NI	A 7WG	5340-99-848-0291	..SHIM, steel or brass, 5 in. id x 7-1/4 in. od x 0.030 in. thk, 8 mtg holes	FV156664	1	
62	A 7WG	2590-99-848-0280	..CAP, END: wormcase	FV156665	1	
63	A 6MT1	5310-99-120-2394	..WASHER, FLAT, aluminium, 3/8 in. id x 9/16 in. od x 5/64 in. thk		1	
64	A 7WG	4730-99-742-1935	..PLUG, PIPE, BSP, steel, hex hd, 1/8 in.	FVS61-1S	1	
65	A G1	5310-99-941-8369	..WASHER, FLAT		8	
66	A G1	5310-99-941-6660	..WASHER, LOCK, steel, split helical ring, 5/8 in. id		8	
67	A G1	5310-99-136-1520	..NUT, PLAIN, HEXAGON, UNF, steel, 5/8 in.		8	
68	A 6MT1	5365-99-910-8212	..RING, RETAINING, steel, ext, 2-3/8 in. shaft size		1	
69	A 7WG	2590-99-848-0275	..WORM SHAFT	FV156658	1	Rh
70	A 6MT1	5330-99-801-6672	..RING, SEALING, TOROIDAL		1	
71	A 6MT7	3110-99-950-2089	..BEARING, PARALLEL ROLLER		1	
72	A 7WG	2590-99-848-0279	..HOUSING, OIL SEAL AND HOUSING	FV156664	1	
73	A 6MT1	5310-99-120-2394	..WASHER, FLAT, aluminium, 3/8 in. id x 9/16 in. od x 5/64 in. thk		1	
74	A 7WG	4730-99-742-1935	..PLUG, PIPE, BSP, steel, hex hd, 1/8 in.		1	
75	A 6MT1	5330-99-801-6672	..RING, SEALING, TOROIDAL		1	
76	A 7WG	5340-99-848-0292	..SPACER, SLEEVE	FV156688	1	
77	A 7WG	5330-99-814-8515	..PACKING, PREFORMED	DWG 10598	1	
78	A 6MT1	5330-99-408-4667	..SEAL, PLAIN		1	
79	A 7WG	2590-99-848-0286	..PLATE, BEARING RETAINING	FV156675	1	
80	A 7WG	2590-99-848-0284	..FLANGE, COMPANION, UNIVERSAL JOINT	FV156671	1	
81	A G1	5310-99-941-6660	..WASHER, LOCK, steel, split helical ring, 5/8 in. id		8	
82	A G1	5310-99-136-1520	..NUT, PLAIN, HEXAGON, UNF, steel, 5/8 in.		8	
83	A 7WG	5310-99-848-0288	..WASHER, FLAT, steel, 1-1/16 in. id x 2-1/8 in. od x 1/4 in. thk	FV156682	1	
84	A 7WG	5310-99-848-0257	..NUT, SLEEVE, HEXAGON, UNF, steel, 1 in.	FV156540	1	
85	A 7WG	2590-99-744-6336	..LEVER, CONTROL, steel, 8-9/16 in. o/a lg, splined boss	CWG 13538	1	
86	A G1	3515-00-702-3529	..PIN, SPRING, steel, 1/2 in. dia x 2 in. lg		1	
88	A 6MT1	5360-99-548-1441	..SPRING, HELICAL, COMPRESSION, 1-3/16 in. od x 4 in. free lg		2	
93	A 7WG	2590-99-839-3684	..DOWEL	DWG 10578	3	
94	A 7WG	2590-99-742-2152	..TORQUE PLATE	AWG 14171	1	
95	A 7WG	5310-99-757-8807	..WASHER, FLAT, steel, 21/32 in. id x 1-3/4 in. od x 1/4 in. thk	DWG 13557	3	

415



1416

Fig 1 Winch

ARMY EQUIPMENT
SUPPORT PUBLICATIONS

2320-I-701-711

FIG ITEM	MAN CODE NAVY - N ARMY - A RAF - R	NATO STOCK NUMBER	ITEM NAME AND DESCRIPTION	PART NO./ DRAWING NO.	NO. OFF	ANNOTATIONS
Fig 1			WINCH - contd			
96	A 7WG	5306-99-757-8808	..WINCH DRUM AND DRIVING SHAFTS - contd	TGS368/F/ 2-3/4 274420	3	
97	A 6MT9	2590-99-744-6340	..BOLT, SELF-LOCKING, UNC, steel, hex hd, 5/8 in. x 2-3/4 in. lg		1	
NI	A 6MT9	2590-99-745-1485	..CHAMBER, ACTUATING, CLUTCH ..PLATE, PRESSURE, aluminium, 5-7/8 in. dia x 1-1/16 in. h, screwed boss and centre hole	KY1507	1	
99	A 7BD	5930-99-836-3321	..SWITCH, PUSH	91068839	1	
100	A G1	5310-99-120-6768	..WASHER, PLAIN, steel, 1/2 in. id x 1-1/4 in. od x 1/16 in. thk		2	
101	A G1	5310-99-120-7678	..NUT, PLAIN, HEXAGON, UNF, steel, 1/2 in.		2	
102	A G1	5310-99-122-5305	..NUT, PLAIN, HEXAGON, ISO metric, steel, 16 mm		1	
103	A G1	5310-99-120-7678	..NUT, PLAIN, HEXAGON, UNF, steel, 1/2 in.		2	
104	A 7WG	2590-99-744-6337	..STRIKER, SWITCH, steel, knurled, 2-1/4 in. od x 1/4 in. w, 1/2 in. UNF bore	DWG 14223	1	
105- 108	A 6MT9	5340-99-820-3411	..YOKE, PISTON ROD, steel, 9/16 in. fork span, 1/2 in. clevis, 1/2 in. SAE thd connection	205948	1	
109	A G1	5305-99-941-0714	..SCREW, MACHINE, UNC, steel, hex hd, 3/8 in. x 1 in. lg		3	
110	A G1	5310-99-912-9566	..WASHER, FLAT, aluminium, 1-1/16 in. id x 1-1/4 in. od x 3/32 in. thk		2	
111	A 7WG	5365-99-745-1483	..PLUG, SCREWED: drain and oil level	DWG 13555	2	
112	A G1	5310-99-912-9566	..WASHER, FLAT, aluminium, 1-1/16 in. id x 1-1/4 in. od x 3/32 in. thk		1	
113	A 7WG	5365-99-744-6326	..PLUG, SCREWED: filler	DWG 13556	1	
114	A 6MT1	5310-99-120-2394	..WASHER, FLAT, aluminium, 3/8 in. id x 9/16 in. od x 3/32 in. thk		1	
115	A 6MT1	4820-99-800-8231	..VALVE, AIR PRESSURE RELIEF, 1/8 in. BSP thd, 1 to 5 psi relief pressure		1	
NI	A 7WG	5340-99-744-6333	..POST, ELECTRICAL-MECHANICAL EQUIPMENT, steel, hex, 2-1/4 in. lg x 3/4 in. A/F, UNF bore	DWG 13527	AR	
NI	A 6MT9	2590-99-745-1485	..PLATE, PRESSURE, aluminium		1	
NI	A 7WG	2590-99-814-8524	..WIRE ROPE ASSEMBLY, steel, 6 x 36, 18 mm dia x 80 m o/a lg; c/w shackle & pin	AWG 13121	1	
NI	A 7WG	4030-99-533-0260	..SHACKLE	BWG14258	1	

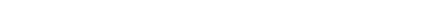
L14

914

23

0

L

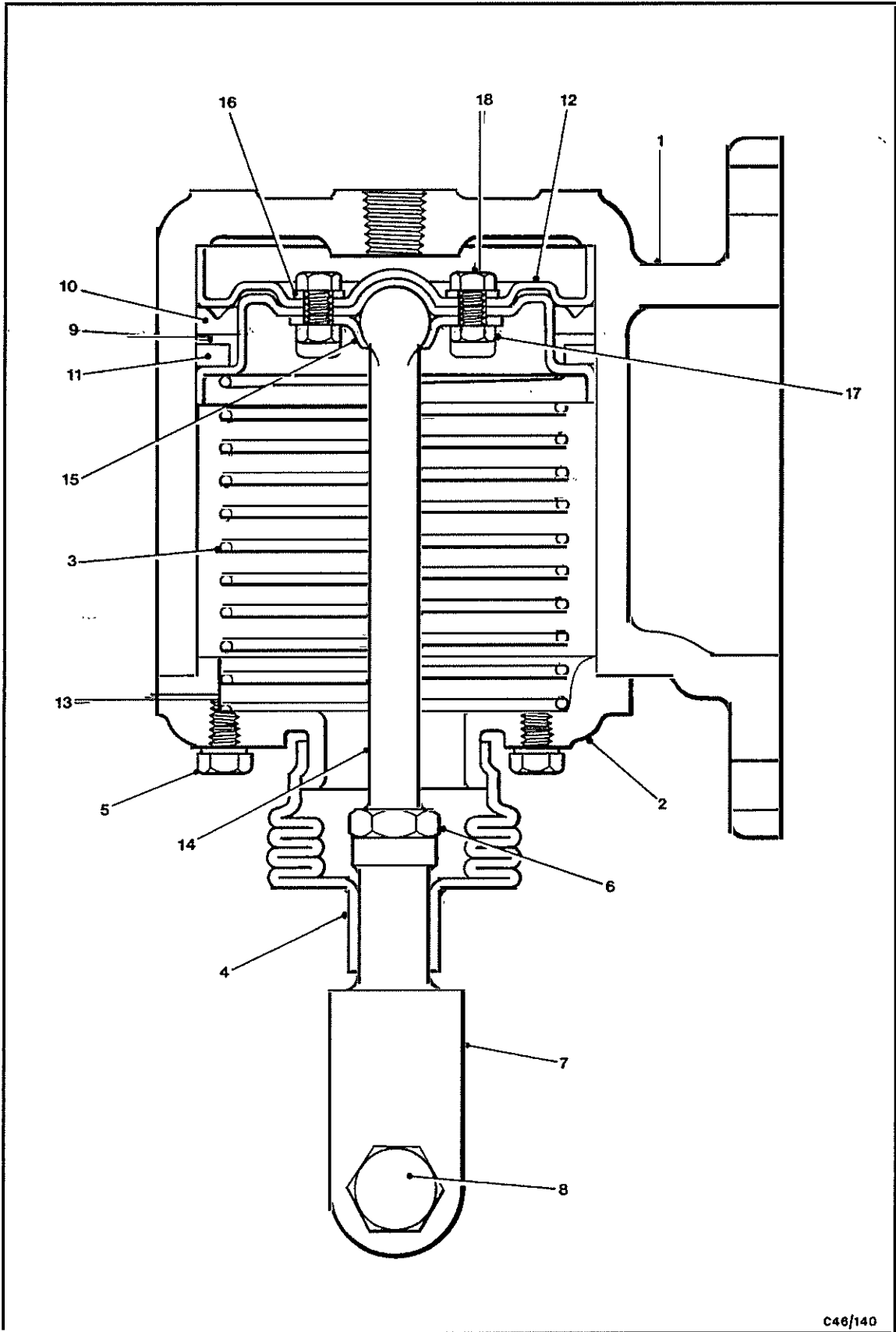


ARMY EQUIPMENT
SUPPORT PUBLICATION

2320-L-701-711

FIG ITEM	MAN CODE NAVY - N ARMY - A RAF - R	NATO STOCK NUMBER	ITEM NAME AND DESCRIPTION	PART NO./ DRAWING NO.	NO. OFF	ANNOTATIONS
			WINCH - contd			
NI	A	7WG	2590-99-874-1054	..BRAKE -		
NI	A	7WG	2590-99-874-1051	..BRAKE BAND ASSEMBLY	BWG 10551	1
NI	A	7WG	5320-99-848-0269	...LINING, FRICTION	CWG 10525	3
			...RIVET, TUBULAR, brass, 1/4 in. dia x 37/64 in. lg	FV156591	AR	
NI		NP		..BRAKE BRACKET ASSEMBLY	CWG 13580	1
NI	A	7WG	3120-99-848-0735	...BEARING, SLEEVE, steel/bronze, 1-1/8 in. od x 1 in. id x 1 in. lg	132153	2
NI	A	7WG	2590-99-744-6332	...PIN, BRAKE ANCHOR, steel, 1-1/8 in. dia x 4-1/8 in. lg	DWG 13684	1
NI		NP		..BRAKE OPERATING SHAFT ASSEMBLY	CWG 3220	1
NI	A	7WG	2590-99-742-1993	...SHAFT, SHOULDERED, steel, 1 in. dia x 8-1/4 in. lg, 24 serrations at one end	CWG 3238	1
NI	A	7WG	5340-99-408-5964	...CONNECTOR, ROD END	DWG 3223	1
NI	A	7WG	5315-99-874-1045	...PIN, GROOVED, HEADED, steel, flat chamfer hd, 1/2 in. dia x 2-1/4 in. lg	BWG 3241	1
NI	A	6MT1	5365-99-881-5171	...RING, RETAINING, steel, ext, for 3/4 in. dia shaft		1
NI	A	7WG	2590-99-767-8401	..ANCHOR, BRAKE	CWG 3217	1
NI	A	7WG	2590-99-767-8402	..YOKE, BRAKE	CWG 3240	1
NI	A	7WG	2590-99-768-1101	..CLEVIS; c/w nut & pin	DWG 13641	1
NI	A	7WG	2590-99-742-2584	..LEVER, BRAKE, WINCH, steel, 183 mm lg, 2 bends	BWG 13571	1
NI	A	7WG	5307-99-809-5478	..STUD, SHOULDERED, UNF thds, steel, rh thd one end lh other end, 3-5/8 in. o/a lg	DWG 3222	1
NI	A	G1	5310-99-120-7678	..NUT, PLAIN, HEXAGON, UNF, steel, 1/2 in.		1
NI	A	7WG	5340-99-809-5479	..FORK END, steel, 0.65 in. fork span, 1-1/4 in. o/a lg	DWG 3221	1
NI	A	7WG	3830-99-874-1046	..PIN, CLEVIS	FWG 3281	1
NI	A	7WG	5310-99-910-3329	..WASHER, KEY, steel, 29/32 in. id x 2-1/8 in. od x 3/64 in. thk, 2 ext keys	FV/S 79-6	1
NI	A	6MT1	5365-99-910-8200	..RING, RETAINING, steel, ext, for 1-1/8 in. dia shaft		1
NI	A	G1	5306-99-122-2792	..BOLT, MACHINE, ISO metric, steel, hex hd, 12 mm x 70 mm lg		1
NI	A	G1	5310-99-127-6120	..WASHER, LOCK, steel, flat int teeth, for 12 mm bolt		1
NI	A	G1	5310-99-122-5298	..NUT, PLAIN, HEXAGON, ISO metric, steel, 12 mm		1
NI	A	6MT4	5935-99-800-9966	..PLUG, ELECTRICAL, aluminium, 2 poles, 12 amp, male	FV585002	1
NI	A	Y3	6145-99-015-1799	..WIRE, ELECTRICAL, white/blue	13784	1
NI	A	7BD	2590-99-759-4232	..LEAD, ELECTRICAL	13785	1
NI	A	Y3	5940-99-744-6338	..TERMINAL, LUG, 1/4 in. w	13797	2

b1g

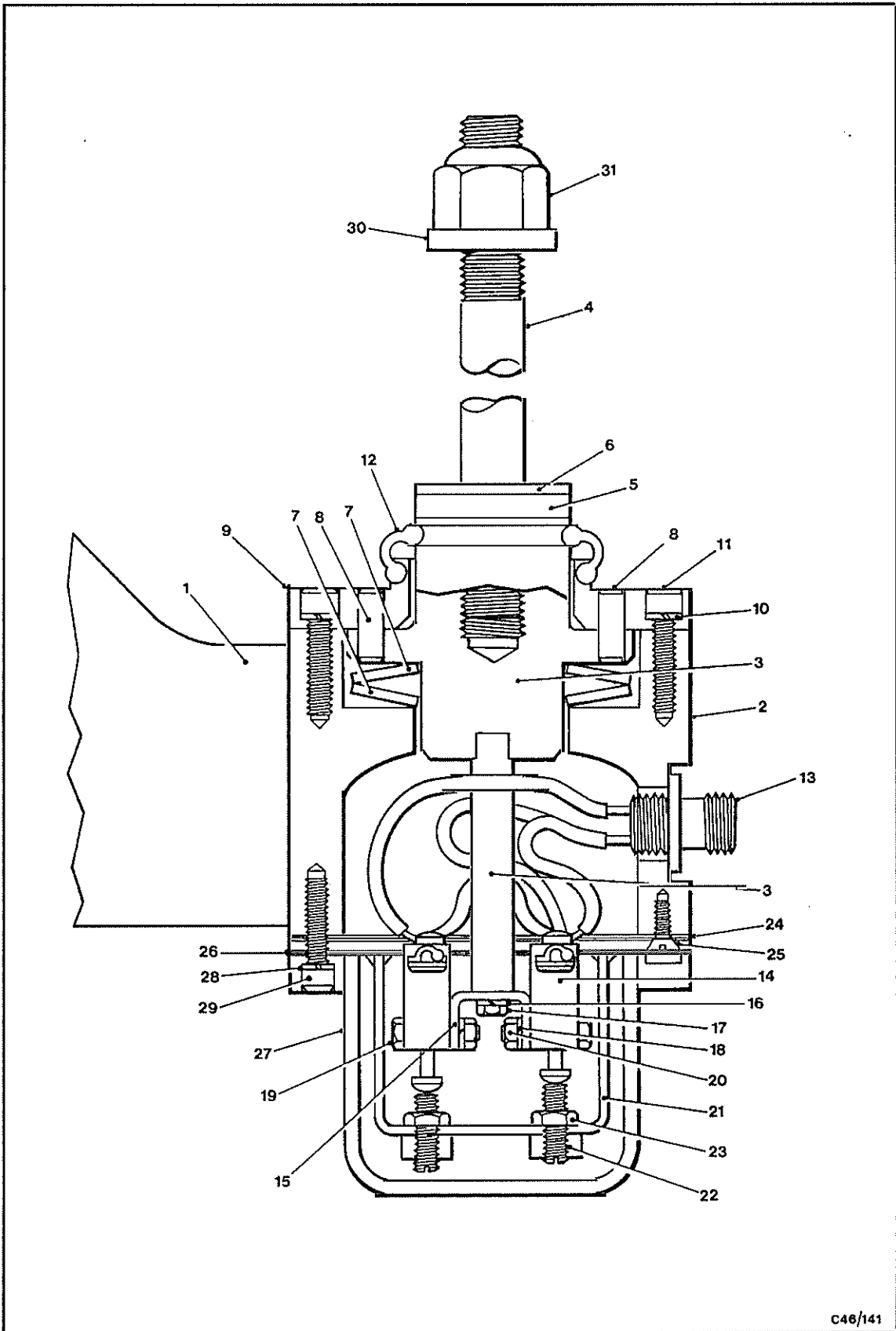


1490

Fig 2 Air pr ssur cylind r

FIG ITEM	MAN CODE NAVY - N ARMY - A RAF - R	NATO STOCK NUMBER	ITEM NAME AND DESCRIPTION	PART NO./ DRAWING NO.	NO. OFF	ANNOTATIONS
Fig 2			WINCH - contd			
1-18	A	6MT9	2530-99-836-8113	..AIR PRESSURE CYLINDER - ..CYLINDER ASSEMBLY: air pressure winch brake	APGA 2131T	1
2	A	6MT9	2530-99-836-8364	...COVER, END	AP6014-1FV	1
3	A	6MT9	2530-99-836-8111	...SPRING, PISTON RETURN	AP1922 FV	1
4	A	6MT9	2530-99-836-8125	...GAITER	SF50-195	1
5	A	6MT9	4730-99-802-4950	...PLUG, SCREWED, 1/8 in. BSP; w/ collar	SF16-24T	2
6	A	G1	5310-99-422-9722	...NUT, PLAIN, HEXAGON, BSF, steel, 1 in.		1
7	A	6MT9	5340-99-836-8127	...FORK END, PISTON ROD	AP8609-1	1
8	A	6MT9	2530-99-836-8123	...PIN, PISTON ROD FORK	AP8610FV	1
9-18	A	6MT9	2530-99-836-8129	...PISTON ASSEMBLY	APSA821/U/ 71	1
9	A	6MT9	5330-99-836-8399RETAINER, PACKING	AP8112FV	1
10	A	6MT9	5330-99-800-2476FELT, MECHANICAL, PREFORMED	AP8080	1
11	A	6MT1	5330-99-801-5033PACKING, PREFORMED, 78 mm id x 102 mm od x 7.5 mm h		1
12	A	6MT9	2530-99-836-8044RETAINER, PISTON SEAL	AP18111-1FV	1
13	A	6MT9	5330-99-800-2570JOINT	AP8298	1
14	A	6MT9	2530-99-836-8361ROD, PLUNGER	AP4261-1FV	1
15	A	6MT9	2530-99-836-8043RETAINER, PLUNGER, ROD	AP8097FV	1
16	A	6MT9	5310-99-833-8025WASHER, FLAT, aluminium, 1/4 in. id	7140427	4
17	A	G1	5305-99-921-6896NUT, PLAIN, HEXAGON, UNC, steel, 1/2 in.		4
18	A	G1	5305-99-941-0739SCREW, MACHINE, UNC, steel, hex hd, 1/2 in. x 1-1/4 in. lg		4
NI	A	6MT9	4730-99-810-1869	..ADAPTOR, ELBOW, PIPE, steel, 5/8 in. UNF male to 1/4 in. NPTF male	SF1164-7FV	1
NI	A	ORD	5330-00-579-8156	..PACKING, PREFORMED, rubber, 7/8 in. id x 1/8 in. h	100-212-2209	1

4-21

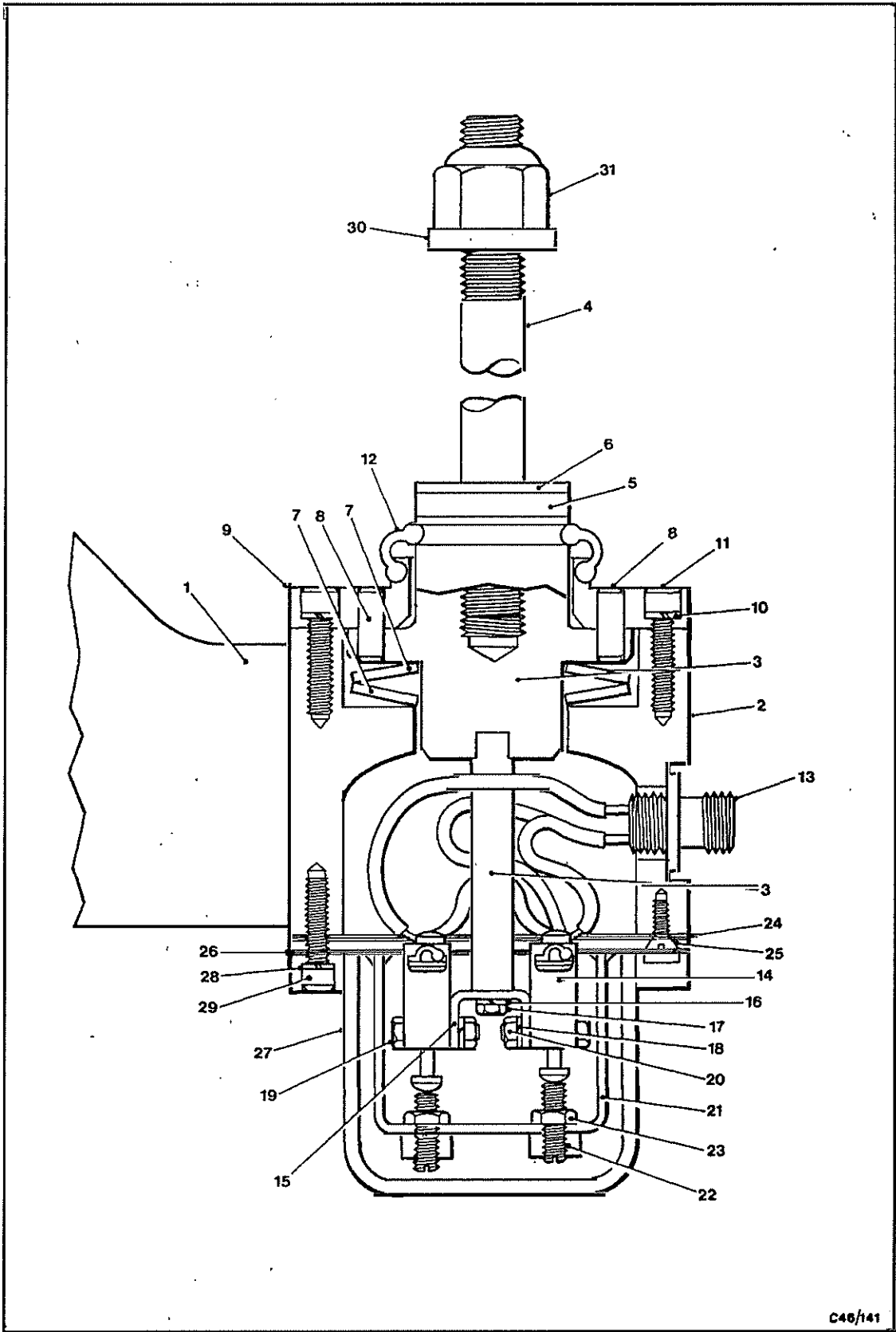


4022

Fig 3 Load limit r

FIG ITEM	MAN CODE NAVY - N ARMY - A RAF - R	NATO STOCK NUMBER	ITEM NAME AND DESCRIPTION	PART NO./ DRAWING NO.	NO. OFF	ANNOTATI NS
Fig 3			WINCH - contd			
1	A 7WG	2590-99-742-2152	..LOAD LIMITER - ..TORQUE PLATE, steel, 16-1/2 in. lg x 13-5/16 in. w x 1/2 in. thk, 3 mtg holes 1/4 in. dia	AWG 14171	1	
2-31		NP	..LOAD LIMITER ASSEMBLY	AWG 13976	1	
3		NP	...SUPPORT ASSEMBLY	FV209869	1	
NI	A 7WG	2590-99-742-3811SPIGOT: winch load limiter	FV209872	1	
NI		NPSUPPORT BLOCK	FV209873	1	
4	A 7TWG	5307-99-758-2638	...STUD, PLAIN, steel, 5/8 in. UNF both ends x 8 in. o/a lg	13644	1	
5	A 6MT1	3040-99-814-8537	...WASHER, CONCAVE, steel, 25/32 in. id x 1-1/2 in. od x 1/4 in. thk material 1-1/2 in. rad		1	
6	A 6MT1	3040-99-814-8536	...WASHER, CONVEX, steel, 25/32 in. id x 1-1/2 in. od x 1/4 in. thk material 1-1/2 in. rad		1	
7	A 6MT1	5310-99-814-8529	...WASHER, SPRING TENSION, steel, 35.5 mm id x 70 mm od x 6 mm h, 4 mm thk material		2	
8	A 6MT1	5315-99-814-8528	...PIN, STRAIGHT, HEADLESS, steel, 1/4 in. dia x 3/4 in. lg		2	
9	A 7WG	3040-99-814-8541	...COVER PLATE, ACCESS	FV209895	1	
10	A G1	5310-99-941-6654	...WASHER, LOCK, steel, split helical ring, 1/4 in. id		4	
11	A G1	5305-99-122-3625	...SCREW, CAP, SOCKET HEAD, UNF, steel, flat fillister hd, 1/4 in. x 3/4 in. lg		4	
12	A 6MT1	3040-99-814-8539	...BOOT, DUST AND MOISTURE SEAL, rubber, 1-25/64 in. dia one end, 1-11/16 in. dia other end		1	
13	A 6MT4	3040-99-814-8540	...LEAD ASSEMBLY, ELECTRICAL, 3 wires, plug assy one end, eyelet terminals other ends	FV209891	1	
NI	A 6MT4	5935-99-881-9011CONNECTOR, FIXED, ELECTRICAL, 3 contacts, 5/8 in. UNF thd both ends	FV585001	1	
NI	A Y3	6145-99-642-1021CABLE, ELECTRICAL, white/green, 14/.012 x 8-11/16 in. o/a lg	FV209888	1	
NI	A Y3	6145-99-654-7187CABLE, ELECTRICAL, white/black, 14/.012 x 10-11/16 in. o/a lg	FV209890	1	
NI	A Y3	6145-99-654-3946CABLE, ELECTRICAL, white, 14/.012 x 9-11/16 in. o/a lg	FV209889	1	
14	A 6MT4	3040-99-814-8533	...SWITCH, PUSH, plunger type, normally open	FV209877	2	
15	A 7WG	3040-99-814-8532	...BRACKET, DOUBLE ANGLE, steel, 2 in. lg x 3/4 in. w x 9/16 in. h, 4 mtg holes	FV209876	1	
16	A G1	5310-99-100-6553	...WASHER, LOCK, steel, split helical ring, 5/32 in. id		2	
17	A G1	5305-99-135-7358	...SCREW, MACHINE, UNF, hex hd, No.4 x 3/8 in. lg		2	
18	A G1	5310-99-943-7200	...WASHER, LOCK, steel, split helical ring, No.8		4	
19	A G1	5305-99-135-7359	...SCREW, MACHINE, UNF, hex hd, No.8 x 3/4 in. lg		4	
20	A G1	5310-99-101-2680	...NUT, PLAIN, HEXAGON, UNF, steel, No.8		4	
21	A 7WG	3040-99-814-8538	...BRACKET, SWITCH MOUNTING	FV209884	1	
22	A 7WG	5305-99-941-3649	...SCREW, GRUB, UNF, steel, 1/4 in. x 3/4 in. lg	FV209880	2	
23	A G1	5310-99-941-0902	...NUT, PLAIN, HEXAGON, UNF, steel, 1/4 in.		2	
24	A 7WG	5330-99-812-9238	...GASKET, paper, 2-7/8 in. id x 3-7/8 in. od, 12 mtg holes	FV209875	1	

422



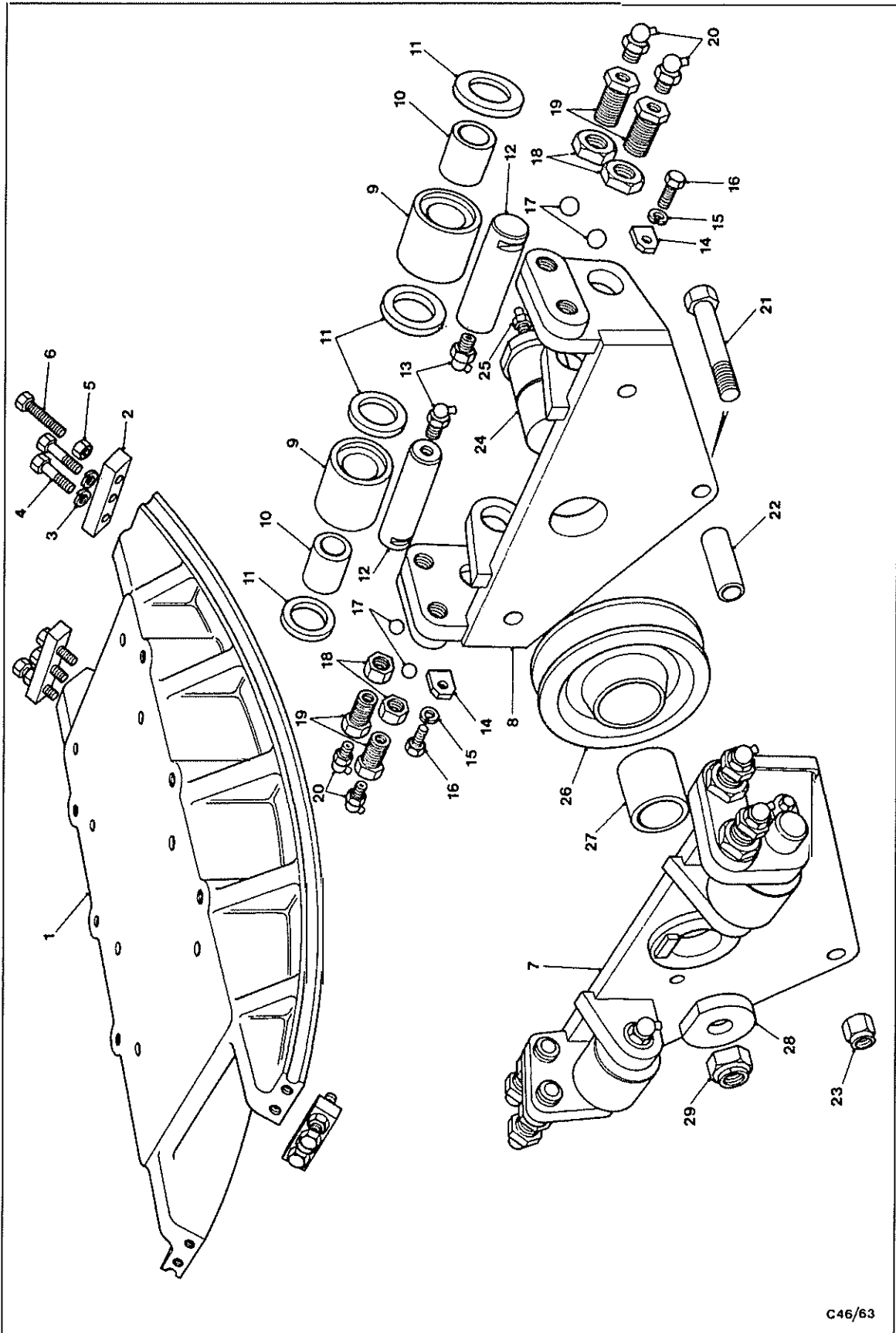
484

Fig 3 L ad limiter

FIG ITEM	MAN CODE NAVY - N ARMY - A RAF - R	NATO STOCK NUMBER	ITEM NAME AND DESCRIPTION	PART NO./ DRAWING NO.	NO. OFF	ANNOTATIONS
Fig 3			WINCH - contd .LOAD LIMITER - contd ..LOAD LIMITER ASSEMBLY - contd			
26	A 7WG	5330-99-814-8542	...GASKET, paper, 2-5/8 in. id x 3-5/8 in. od x 1/32 in. thk	FV209896	1	
27	A 6MT4	3040-99-814-8534	...COVER, ELECTRICAL SWITCH	FV209878	1	
NI	A 7WG	2590-99-742-2690SWITCH COVER, steel, 2-7/8 in. od x 2-3/8 in. h	FV209879	1	
NI	A 7WG	2590-99-742-2172FLANGE, SWITCH COVER, steel, 2-7/8 in. id x 3-7/8 in. od x 3/8 in. thk	FV209881	1	
28	A G1	5310-99-944-0547	...WASHER, LOCK, steel, split helical ring, 3/16 in. id		4	
29	A G1	5305-99-941-7922	...SCREW, CAP, SOCKET HEAD, BA, steel, flat fillister hd, No.2 x 3/4 in. lg		4	
30	A G1	5310-99-136-4966	...WASHER, FLAT, steel, 5/8 in. id		1	
31	A G1	5310-99-943-4301	...NUT, SELF-LOCKING, HEXAGON, UNF, steel, 5/8 in.		1	

425

426



C46/63

Chap 2-11

Fig 4 Pay on gear

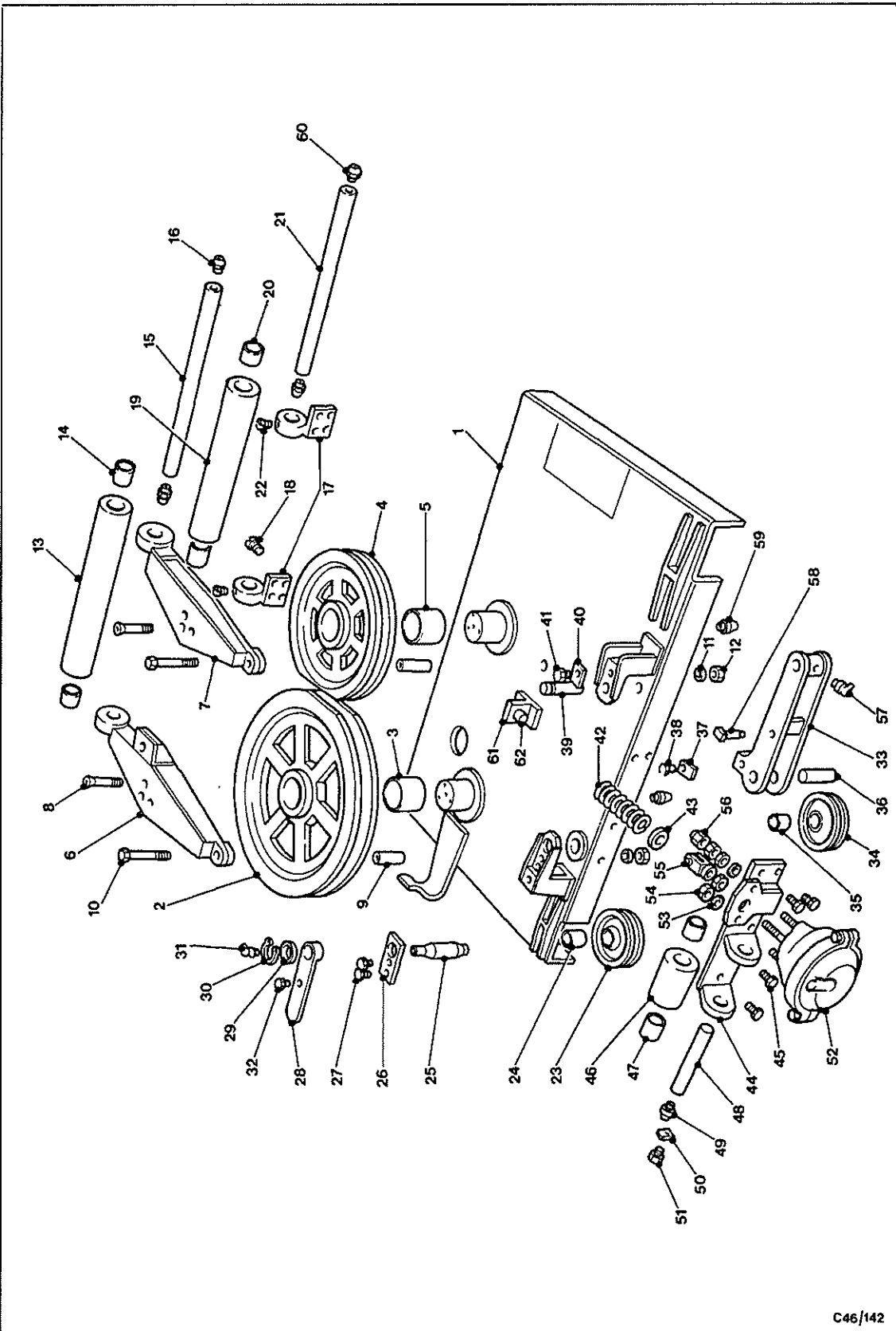
L-4

ARMY EQUIPMENT
SUPPORT PUBLICATION

2320-L-701-711

FIG ITEM	MAN CODE NAVY - N ARMY - A RAF - R	NATO STOCK NUMBER	ITEM NAME AND DESCRIPTION	PART NO./ DRAWING NO.	NO. OFF	ANNOTATIONS
Fig 4			WINCH - contd			
1	A	7WG 2590-99-874-1063	..PAY ON GEAR	AWG 10609	1	
2	A	7WG 2590-99-874-1071	..TRACK	EWG 10657	4	
3	A		..STOP: trolley		8	
4	A		..WASHER: LOCK		8	
			..SCREW			
5	A		..NUT		4	
6	A		..SCREW		4	
7-29		NP	..TROLLEY ASSEMBLY		1	
9-10		NP	..ROLLER AND BUSH ASSEMBLY	DWG 1458	4	
10	A	7WG 3120-99-874-1042BUSH	DWG 1382	1	
11	A	7WG 3120-99-848-0578	...WASHER, THRUST	DWG 1383	8	
12	A	7WG 2590-99-768-4683	...SHAFT, STRAIGHT, steel, 0.8745 in. dia x 3 in. o/a lg	DWG 1384	4	
13	A	6MT1 4730-99-801-1208	...LUBRICATING NIPPLE, steel, 1/8 in. BSP, angled		4	
14	A	7WG 2590-99-848-0617	...PLATE, LOCKING	EWG 1482	4	
15	A		...WASHER, LOCK		4	
16	A		...SCREW		4	
17	A	6MT7 3110-99-950-0576	...BALL, BEARING, steel, 9/16 in. dia		8	
18	A		...NUT, PLAIN, HEXAGON		8	
19	A	7WG 2590-99-874-2318	...ADJUSTER: track runners	EWG 10658	8	
20	A	6MT1 4730-99-801-1208	...LUBRICATING NIPPLE, steel, 1/8 in. BSP, angled	NA 5799	8	
21	A		...BOLT, MACHINE, UNF, steel, hex hd, 3/8 in. x 3 in. lg		1	
22		NP	...SPACER	EWG 14256	1	
23	A		...NUT, SELF-LOCKING, HEXAGON, UNF, steel, nylon insert, 3/8 in.		1	
24	A	7WG 3040-99-814-8545	...SHAFT, STRAIGHT	EWG 10663	1	
25	A	6MT1 4730-99-942-7808	...LUBRICATING NIPPLE, steel, 1/8 in. BSP, straight		1	
26-27	A	7WG 2590-99-848-0211	...PULLEY ASSEMBLY; c/w sleeve	FV209419	1	
26	A	7WG 2590-99-848-0584PULLEY, GROOVED	FV209420	1	
27	A	7WG 3120-99-848-0132	...BEARING, SLEEVE	FV209421	1	
28	A	7WG 5310-99-814-8546	...WASHER, FLAT, steel, 41/64 in. id x 1-7/8 in. od, ext flat	EWG 10664	1	
29	A		...NUT, SELF-LOCKING, HEXAGON		1	

497



4925

Fig 5 R ar fairl ads and rope t nsioner

FIG ITEM	MAN CODE NAVY - N ARMY - A RAF - R	NATO STOCK NUMBER	ITEM NAME AND DESCRIPTION	PART NO./ DRAWING NO.	NO. OFF	ANNOTATIONS
Fig 5			WINCH - contd			
1		NP	..REAR FAIRLEAD AND ROPE TENSIONER			
2-3	7WG	3020-99-767-8408	..MOUNTING PLATE	AWG14251	1	
2	7WG	3020-99-767-8409	..PULLEY ASSEMBLY	AWG13651	1	
3	A 7WG	3120-99-874-0005	...PULLEY	AWG13650	1	
4-5	7WG	3020-99-767-8410	...BEARING, SLEEVE	DWG1018	1	
4	7WG	3020-99-767-8411	..PULLEY ASSEMBLY	AWG13652	1	
5	A 7WG	3120-99-874-0005	...PULLEY	BWG13534	1	
6		NP	...BEARING, SLEEVE	DWG1818	1	
7		NP	..SUPPORT BRACKET	AWG13663	1	
8	A G1	5305-99-761-3309	..SUPPORT BRACKET	AWG13670	1	
			..SCREW MACHINE, SI, metric M10 x 80 mm lg		AR	
9		NP	..SPACER	DWG13671	2	
10	A		..BOLT		2	
11	A		..WASHER, Lock		2	
12	A		..NUT		2	
13-14		NP	..ROLLER ASSEMBLY	CWG13647	1	
13		NP	...ROLLER	BWG13536	1	
14	A 7WG	3120-99-848-0132	...BEARING, SLEEVE	EWG1007	2	
15	A 7WG	2590-99-742-2754	..SHAFT, SHOULDERED, steel, 38 mm shoulder dia x 36 mm od x 434 mm lg, 1/8 in. BSP both ends	BWG13535	1	
16	A 6MT1	4730-99-942-7808	..LUBRICATING NIPPLE, steel, straight, 1/8 in. BSP		AR	
NI			..SCREW		4	
19-20		NP	..ROLLER ASSEMBLY	CWG13647	1	
19	7WG	2590-99-767-8412	...ROLLER	BWG13536	1	
20	A 7WG	3120-99-848-0132	...BEARING, SLEEVE	EWG1007	2	
21	A 7WG	2590-99-742-2754	..SHAFT, SHOULDERED, steel, 38 mm shoulder dia x 36 mm od x 434 mm lg, 1/8 in. BSP both ends	BWG13535	1	
23-24		NP	..PULLEY ASSEMBLY	CWG14053	1	
23		NP	...PULLEY	CWG14054	1	
24	A 7WG	3120-99-848-0674	...BEARING, SLEEVE	DWG2413	1	
26		NP	..LEVER, PAD	DWG13620	1	
28		NP	..LEVER	CWG13619	1	
29			..WASHER		1	
30	A W20	5365-99-301-8006	..RING, RETAINING, steel, circlip, ext, for 19 mm shaft dia	1400-19M	1	
31	A 6MT1	4730-99-943-9383	..LUBRICATING NIPPLE, steel, 45 deg, 1/8 in. BSP		AR	
33		NP	..PULLEY BRACKET ASSEMBLY	BWG14252	1	
NI	A 7WG	2590-99-744-7169	..SPRING LOCATION, steel, 25 mm minor dia, 47 mm major dia x 16 mm o/a lg	DWG13623	1	
34-35		NP	..PULLEY ASSEMBLY	CWG14053	1	
34		NP	...PULLEY	CWG14054	1	
35	A 7WG	3120-99-848-0674	...BEARING, SLEEVE	DWG2413	1	
36	A 7WG	5315-99-874-1068	..PIN, STRAIGHT, HEADLESS	DWG10640	1	
39	A 7WG	5315-99-742-2756	..PIN, STRAIGHT, HEADLESS, steel, 25 mm dia x 88 mm lg	CWG13632	1	
40	A 7WG	2590-99-848-0151	..PLATE, LOCATING, ROLLER PIVOT PIN	EWG1252	2	
41	A G1	5305-99-122-5359	..SCREW, MACHINE, ISO metric, steel, hex hd, 6 mm x 12 mm lg		2	
42	A 7WG	5360-99-743-1346	..SPRING, HELICAL, COMPRESSION, 11 coils, 1-5/8 in. od x 4-1/2 in. free lg	CWG13628	1	
43			..WASHER		1	

429

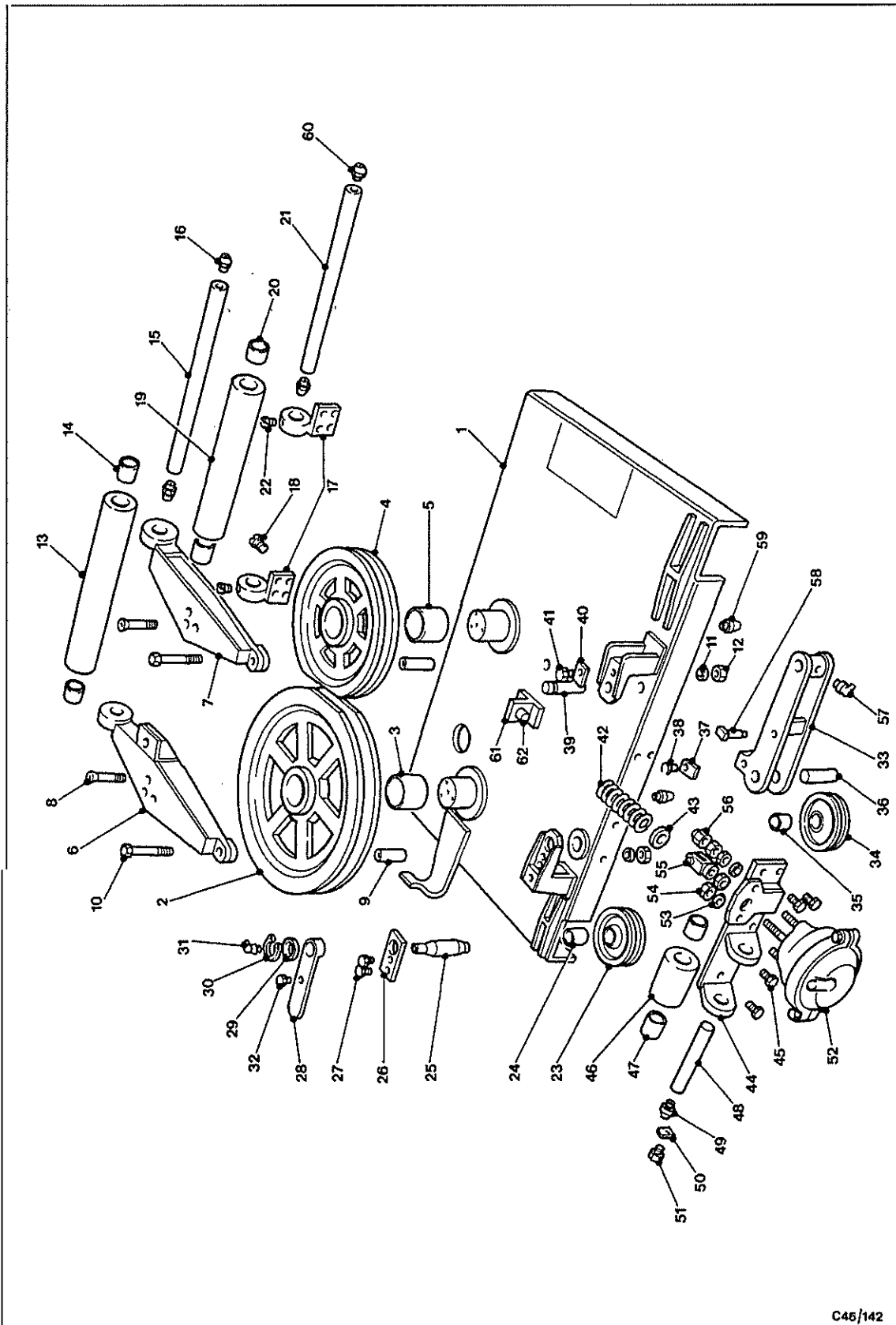


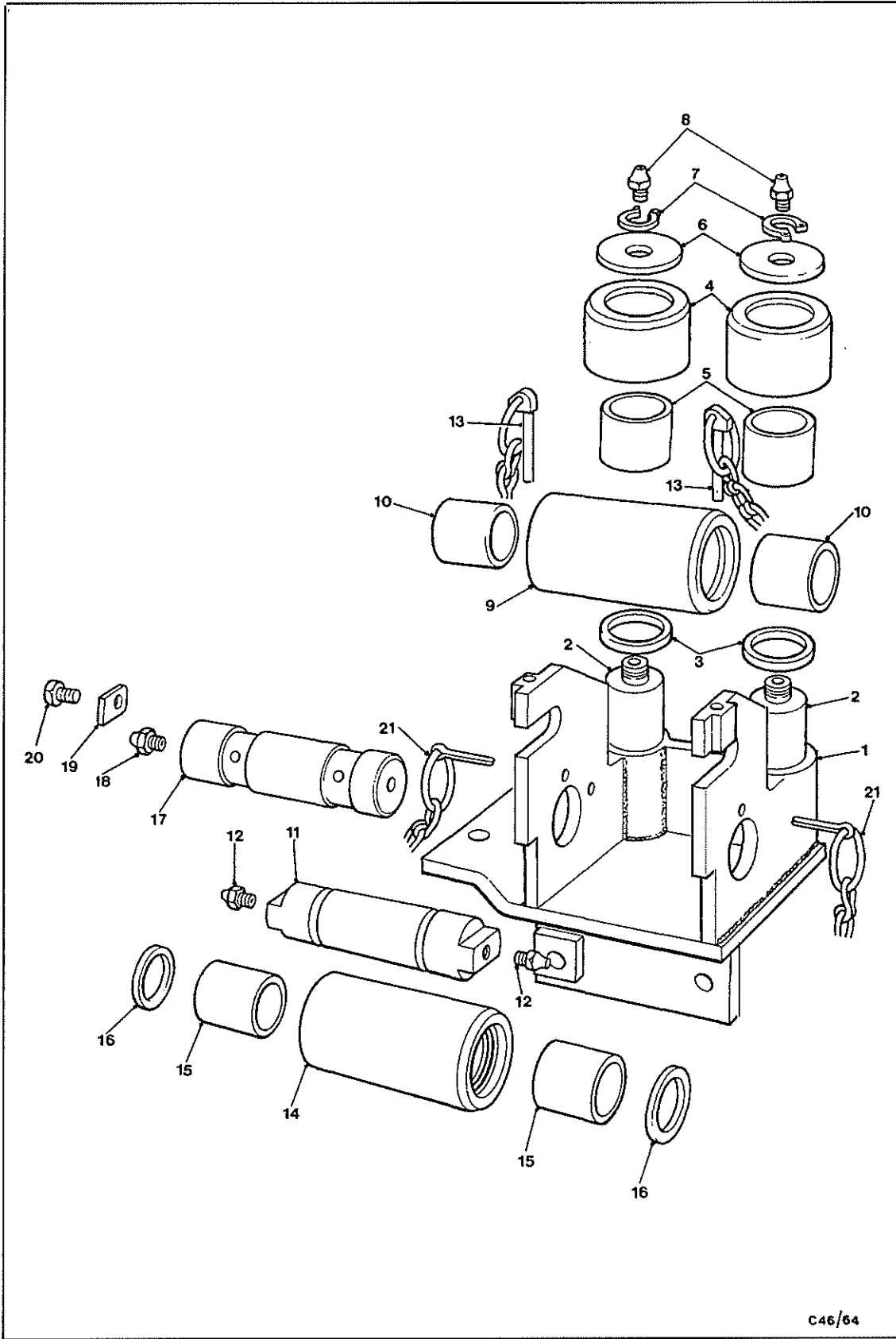
Fig 5 Rear fairleads and rope tensioner

430

FIG ITEM	MAN CODE NAVY - N ARMY - A RAF - R	NATO STOCK NUMBER	ITEM NAME AND DESCRIPTION	PART NO./ DRAWING NO.	NO. OFF	ANNOTATIONS
Fig 5			WINCH - contd			
			..REAR FAIRLEAD AND ROPE TENSIONER			
			- contd			
44		NP	..ROLLER AND CYLINDER BRACKET	EWG14240	1	
46-47		NP	..ROLLER ASSEMBLY	DWG13653	1	
46	A 7WG	2590-99-767-8413	..ROLLER	CWG13631	1	
47	A 6MT1	3120-99-742-2755	..BUSHING, SLEEVE, steel/bronze, 28 mm id x 32 mm od x 25 mm lg	DWG13621	2	
48		NP	..ROLLER SPINDLE	CWG13630	1	
49	A 6MT1	4730-99-942-7808	..LUBRICATING NIPPLE, steel, straight, 1/8 in. BSP			AR
50	A 7WG	2590-99-744-7168	..PLATE, LOCKING, steel, 20 mm lg x 22 mm w x 4.5 mm thk, 1 hole 7 mm dia	DWG13622	1	
51	A G1	5305-99-122-5359	..SCREW, MACHINE, ISO metric, steel, hex hd, 6 mm x 12 mm lg		1	
52	A 7WG	2590-99-742-2418	..CHAMBER, AIR PRESSURE BRAKE	EWG13654	1	
56	A G1	5310-99-760-4259	..NUT, CAP, ADJUSTING, UNF, steel, hex, 7/16 in.		1	
57	A 6MT1	4730-99-943-9383	..LUBRICATING NIPPLE, steel, 45 deg, 1/8 in. BSP			AR
58	A 7WG	2590-99-744-7171	..PIN PIVOT, steel, 12.5 mm dia x 63 mm o/a lg, M10 x 1.5 male thd at both ends	DWG13627	1	
60	A 6MT1	4730-99-942-7808	..LUBRICATING NIPPLE, steel, straight, 1/8 in. BSP			AR
61	A 7WG	2590-99-742-2402	..BLOCK, SPRING PIN, steel, tee- shaped, centre holes in upright	CWG13586	1	
62	A 7WG	5315-99-744-6351	..PIN, STRAIGHT, HEADED, steel, 11.6 mm dia shaft, 24.8 mm dia head, 20 mm o/a lg	DWG13624	1	
NI	A 7WG	2590-99-768-1103	..SHAFT, STRAIGHT, steel, 1.4980 in. max dia x 2.62 in. o/a lg	DWG13018	2	
NI	A 7WG	2590-99-767-8404	..ROLLER, steel, 39 mm id x 60 mm od x 40 mm lg	CWG14109	2	
NI	A 7WG	2590-99-767-8405	..ROLLER, steel, 39 mm id x 60 mm od x 92 mm o/a lg	CWG14112	2	
NI	A 7WG	2590-99-767-8406	..SHAFT, STRAIGHT, steel, 34.71 mm max od x 118 mm o/a lg	CWG14114	1	
NI	A 7WG	2590-99-767-8407	..SHAFT, SHOULDERED, steel, 100 mm max od x 62 mm o/a lg	EWG13554	2	
NI	A 7WG	3020-99-767-8414	..PULLEY, GROOVE, steel, 1.425 in. dia	CWG14052	1	
NI	A 7WG	2590-99-767-8415	..SHAFT, SHOULDERED, steel eccentric style, 28.530 mm max dia x 102 mm o/a lg	CWG14245	1	

124

439



C46/64

Chap 2-11

Fig 6 Front fairl ads

FIG ITEM	MAN CODE NAVY - N ARMY - A RAF - R	NATO STOCK NUMBER	ITEM NAME AND DESCRIPTION	PART NO./ DRAWING NO.	NO. OFF	ANNOTATIONS
Fig 6			WINCH - contd			
1		NP	..FRONT FAIRLEADS -	AWG14101	1	
2	A 7WG	2590-99-742-2768	..BRACKET, FRONT FAIRLEAD	CWG14102	2	
3	A 7WG	5365-99-744-6347	..SHAFT, SHOULDERED, steel, 40 mm dia	DWG14110	2	
4-5		NP	..SPACER, RING, 35 mm id x 50 mm od x 4 mm thk	DWG14120	2	
4		NP	..ROLLER ASSEMBLY; c/w bearing	CWG14109	1	
5	A 6MT1	3120-99-744-6346	..ROLLER			
6	A 7WG	5310-99-744-6348	...BEARING, SLEEVE, 31 mm id x 35 mm od x 35 mm lg, longitudinal split		1	
7	A 6MT1	5365-12-124-0901	..WASHER, FLAT, steel, 15.5 mm id x 50 mm od x 4 mm thk	DWG14111	2	
8	A 6MT1	4730-99-943-9374	..RING, RETAINING, steel, ext, for 10 mm dia groove		2	
9-10		NP	..LUBRICATING NIPPLE, steel, straight, 1/4 in. UNF	DWG14121	2	
9		NP	..ROLLER ASSEMBLY; c/w bearings	CWG14112	1	
10	A 6MT1	3120-99-744-6346	..ROLLER		1	
11		NP	...BEARING, SLEEVE, 31 mm id x 35 mm od x 35 mm lg, longitudinal split		2	
12	A 6MT1	4730-99-943-9374	..SHAFT	CWG14114	1	
13	A 6MT1	2590-99-744-6350*	..LUBRICATING NIPPLE, steel, straight, 1/4 in. UNF		2	
14-15		NP	..PIN, 6 mm dia x 45 mm lg; c/w chain and rings	DWG14121	2	
14		NP	..ROLLER ASSEMBLY; c/w bearings	CWG14112	1	
15	A 6MT1	3120-99-744-6346	..ROLLER		1	
16	A 7WG	5365-99-744-6347	...BEARING, SLEEVE, 31 mm id x 35 mm od x 35 mm lg, longitudinal split		1	
17	A 7WG	2590-99-742-2397	..SPACER, RING, 35 mm id x 50 mm od x 4 mm h	DWG14110	2	
18	A 7WG	4730-99-742-2748	..SHAFT, STRAIGHT, steel, 35 mm dia x 126 mm lg, 3/8 in. UNF female at one end	CWG14257	1	
19	A 7WG	2590-99-848-0151	..LUBRICATING NIPPLE, steel, 90 deg, 3/8 in. UNF	TS298C	1	
20	A		..PLATE, LOCATING: roller pivot pin	EWG1252	1	
21	A G1	5315-99-138-2210	..SCREW, MACHINE		1	
			..PIN, COTTER, SPLIT, steel, 4 mm x 25 mm lg		2	

4232

4-1

FIG ITEM	MAN CODE NAVY - N ARMY - A RAF - R		NATO STOCK NUMBER	ITEM NAME AND DESCRIPTION	PART NO./ DRAWING NO.	NO. OFF	ANNOTATIONS
NI			NP	WINCH - contd			
NI			NP	.SIDE FAIRLEAD ASSEMBLY - FRONT	BWG14093	1	
				.SIDE FAIRLEAD ASSEMBLY - REAR	BWG14097	1	
NI	A	7WG	3120-99-848-0132	.FAIRLEADS -	EWG1007	1	
NI	A			..BEARING, SLEEVE		1	
NI	A			..WASHER, LOCK		1	
NI	A	6MT1	4730-99-943-9383	..SCREW MACHINE		1	
				..LUBRICATING NEPPLE, steel, 45 deg, 1/8 in. BSP		1	

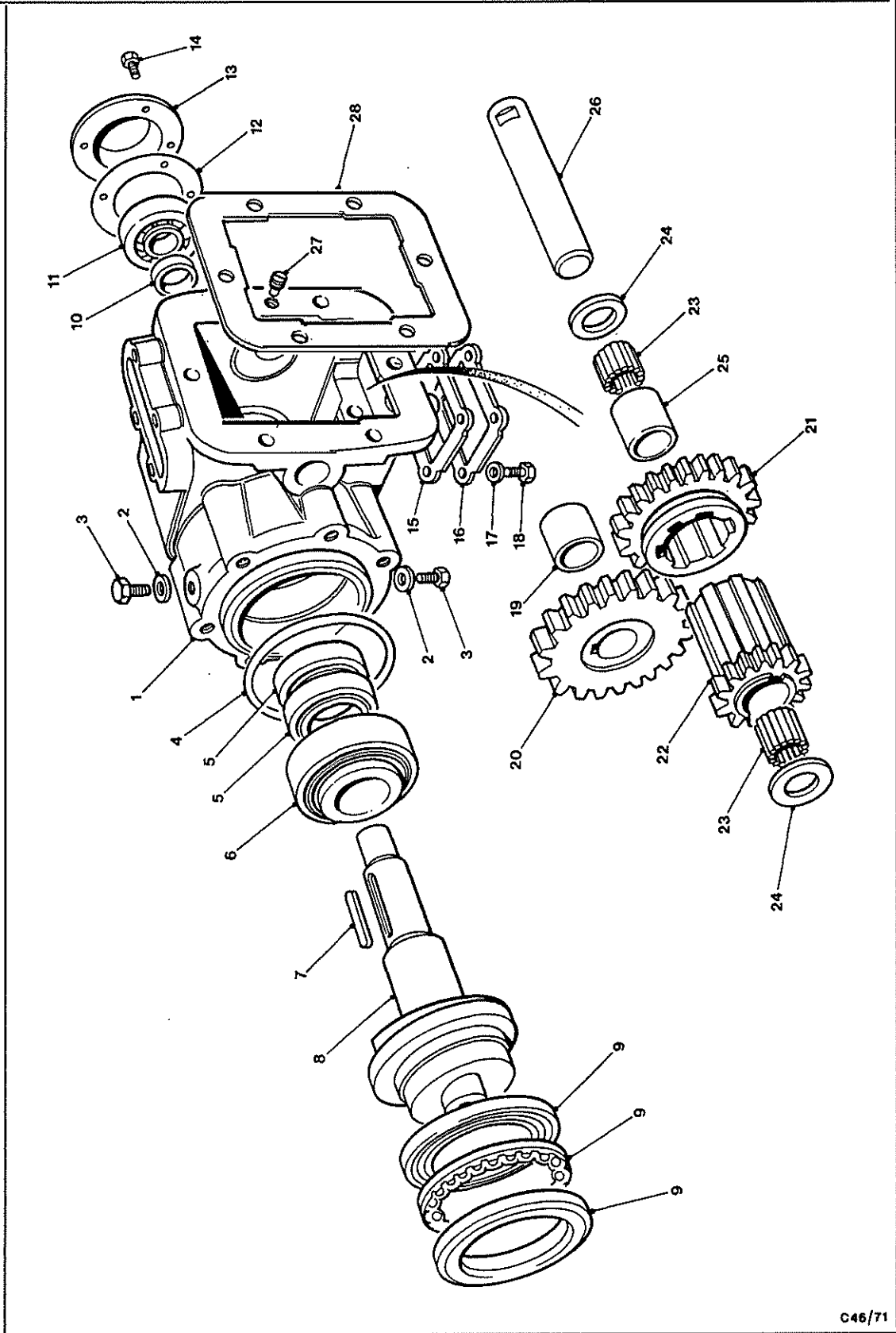
424

CHAPTER 2-12
HYDRAULIC TIPPING GEAR

Issued Nov. 1983

435

433



Chap 2-12

Fig 1 Pow r tak -off

C46/71

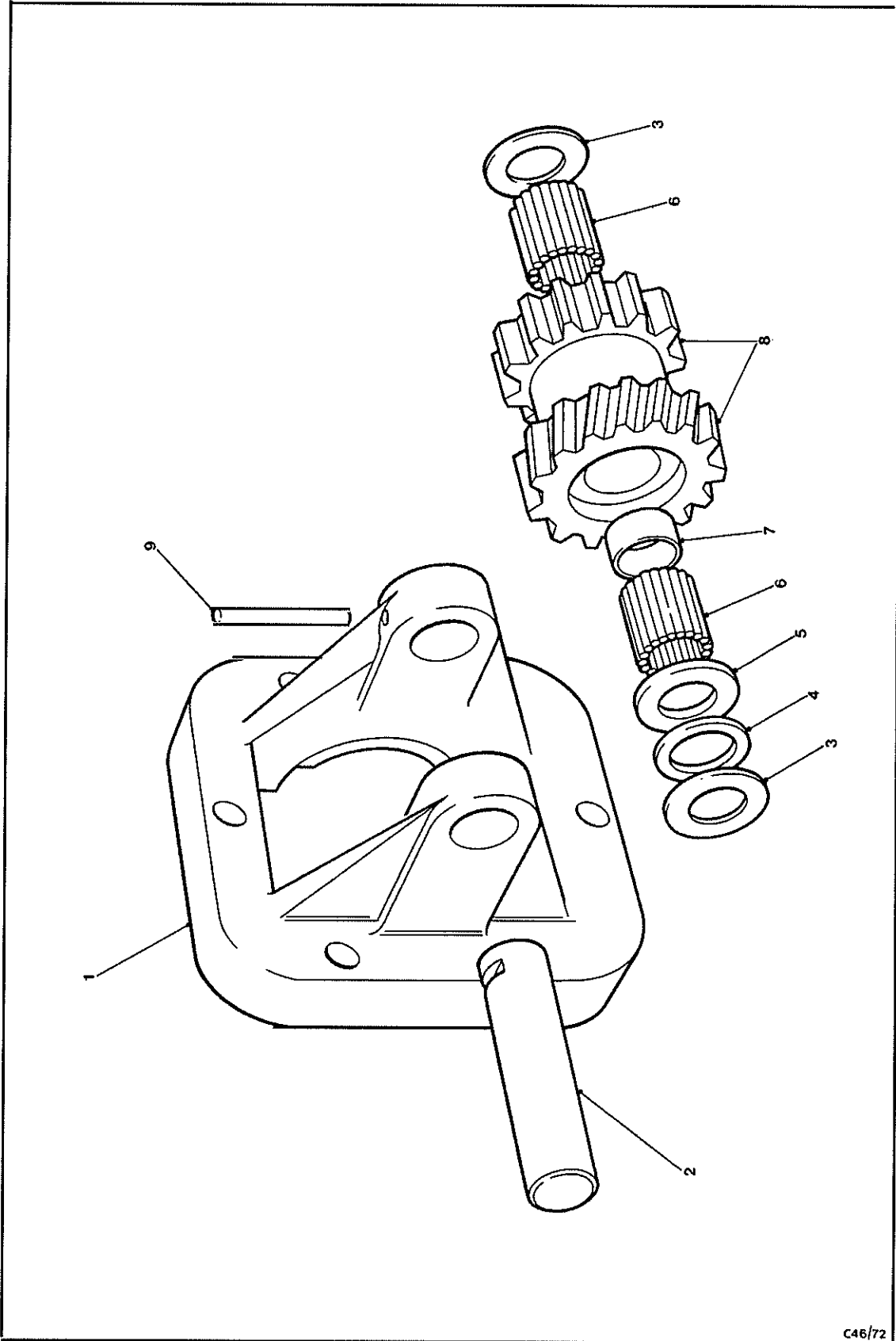
426

427

FIG ITEM	MAN CODE NAVY - N ARMY - A RAF - R	NATO STOCK NUMBER	ITEM NAME AND DESCRIPTION	PART NO./ DRAWING NO.	NO. OFF	ANNOTATIONS
Fig 1						
1-27	A 7EDT	2520-99-833-4890	HYDRAULIC TIPPING GEAR - ..POWER TAKE-OFF, GEARBOX	PTO264E/A/ 15RF	1	
2	A 7EDT	5310-99-412-4105	..WASHER, copper/asbestos, 9 mm id x 14 mm od x 2 mm thk	WS25	2	
3	A G1	5305-99-136-6252	..SCREW, MACHINE, UNC, steel, hex hd, 5/8 in. x 3/8 in. lg		2	
4	A 6MT1	5330-99-540-7116	..RING, SEALING, TOROIDAL, syn. rubber, 3-5/8 in. od x 1/16 in. h		1	
5	A 7EDT	5330-99-830-2808	..SEAL, PLAIN	OS16	2	
6	A 6MT7	3110-99-830-2807	..BEARING, TAPERED, ROLLER, 35 mm id x 3-1/8 in. od x 1 in. h		1	
7	A G1	5315-99-431-1922	..KEY, MACHINE, steel, 1.260 in. lg x 5/16 in. w x 1/4 in. h		1	
8	A 7EDT	2520-99-830-2806	..SHAFT, SHOULDERED, steel, 7-3/8 in. lg, w/integral wobble plate	SWP196	1	
9	A 7EDT	3110-99-830-2814	..BEARING, BALL, THRUST, single row, 2-1/4 in. id x 3-11/32 in. od x 7/8 in. h	BTR83NY	1	
10	A 7EDT	5365-99-830-2811	..SPACER, SLEEVE, steel, 1.144 in. id x 1-9/32 in. od x 11/32 in. o/a lg	A53398	1	
11	A 6MT7	3110-99-818-8265	..BEARING, BALL, JOURNAL, 7/8 in. id x 2-1/4 in. od x 11/16 in. w		1	
12	A 7EDT	5330-99-830-2813	..GASKET, rubber/cork, rd, 2-1/4 in. id x 3-1/4 in. od x 1/16 in. thk, w/4 bolt holes	A54467	1	
14	A 7EDT	5305-99-139-4824	..SCREW, TAPPING, THREAD CUTTING, steel, pan hd, cross recess drive, UNC, 1/4 in. x 1/2 in. lg	KS120/4C/4	4	
15	A 7EDT	5330-99-811-4291	..GASKET, rect shape, 3-1/8 in. lg x 2-1/2 in. w x 1/32 in. thk	PP237 WS11	1 4	
17	A 7RS	3825-99-208-9415	..WASHER, SPRING, steel, 1/4 in.		4	
18	A G1	5305-99-941-0685	..SCREW, MACHINE, UNC, steel, hex hd, 1/4 in. x 1/2 in. lg		4	
19	A 7EDT	5365-99-830-2809	..SPACER, SLEEVE, steel, 1.144 in. id x 1-9/32 in. od x 7/8 in. o/a lg	A53397 GW663	1 1	
20	A 7EDT	3020-99-831-3479	..GEAR, fixed, rear		1	
21	A 7EDT	3020-99-749-2179	..GEAR, SPUR, steel, 21 teeth, 3.75 in. od x 1.265 in. o/a lg; centre bore splined	GW447/15	1	
22	A 7EDT	3040-99-749-3625	..GEARSHAFT, SPUR, steel, 1.125 in. id plain bore, 12 teeth gear wheel, 6 spline shaft, 2.979 in. o/a lg	GW457	1	
23	A 7EDT	3110-99-757-9412	..ROLLER, BEARING, SET, solid, steel, 0.125 in. dia x 0.75 in. lg, spherical ends, 25 in. set	NRE125/0.75 x 25	2	
24	A 6MT7	3110-99-820-2538	..SEAT, BEARING, steel, 0.877 in. id x 1.427 in. od x 0.092 in. thk	TRC1423	2	
25	A 7EDT	5365-99-749-3627	..SPACER, SLEEVE, steel, 7/8 in. id x 1-1/16 in. od x 1.440 in. lg	DP136/1.440 /H	1	
26	A 7EDT	4320-99-803-5411	..SHAFT, STRAIGHT, steel, 5 in. lg x 0.8742 in. dia	GS47B	1	
27	A 7EDT	5305-99-137-1955	..SCREW, CRUB, UNC, steel, slot drive, dog point, 5/16 in. x 5/16 in. o/a lg	A33621	1	
28	A 7EDT	5330-99-749-3421	..GASKET, hard fibre, rect, 5 in. w x 6.250 in. o/a lg x 5/32 in. thk	FW19/i	1	

LC4

11



Chap 2-12

Fig 2 Power take-off gearbox adaptor

C46/72

438

FIG ITEM	MAN CODE NAVY - N ARMY - A RAF - R	NATO STOCK NUMBER	ITEM NAME AND DESCRIPTION	PART NO./ DRAWING NO.	NO. OFF	ANNOTATIONS
Fig 2						
1-9		NP	HYDRAULIC TIPPING GEAR - contd			
2	A	7EDT 2520-99-827-9253	..ADAPTOR, pto to gearbox	AD75B/43	1	
3	A	6MT7 5310-99-138-4313	..SHAFT, STRAIGHT, steel, 0.874 in. dia x 3-13/32 in. lg	GS157	1	
4	A	6MT7 7 3110-99-923-2278	..WASHER, THRUST, steel, rd shape, 7/8 in. id x 1.427 in. od x 0.032 in. thk	NRT2	2	
5	A	6MT7 3110-99-820-2538	..CAGE AND ROLLERS, BEARING, 0.877 in. id x 1.427 in. od, 28 rollers, 0.0781 in.thk	NRT1	1	
6	A	7EDT 3110-99-749-9846	..SEAT, BEARING, steel, 0.877 in. id x 1.427 in. od x 0.092 in. thk	TRC1423	1	
7	A	7EDT 2520-99-749-3619	..ROLLER, BEARING, SET, solid, steel, 0.125 in. dia x 1 in. lg, spherical ends, 25 in. set	NRE125/100 x 25	2	
8	A	7EDT 3020-99-749-2184	..SPACER, BEARING	DP136-105	1	
9	A	7EDT 2520-99-749-2183	..GEAR CLUSTER, HELICAL, steel, 17 teeth, 3.083 in. od spur gear; 22 teeth, 3.614 in. od helical gear, 2.276 in. o/a lg	GW513/43	1	
			..PIN, HOLLOW, steel, 1/8 in. id x 3/16 in. od x 1-7/8 in. lg	RP9-1.875	1	
NI	A	7EDT 5330-99-834-1115	..GASKET	FW16	1)U/W power
NI	A	7EDT 5330-99-825-6656	..GASKET, fibre, rectangular shape, 9-1/4 in. lg x 7 in. w x 0.016 in. thk, 8 holes 29/64 in.	FW25	1)take-off)adaptor)plate

439

3-150

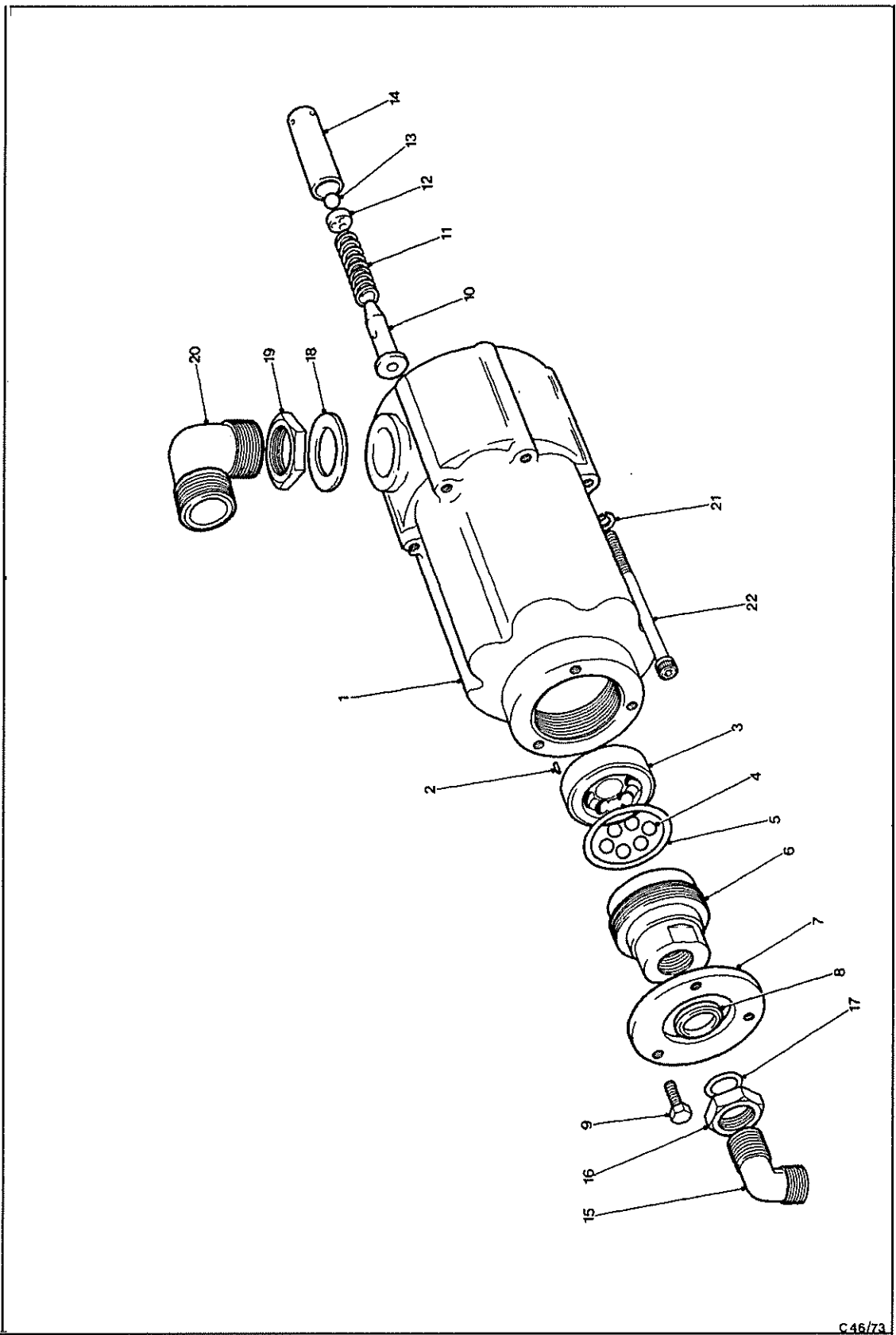
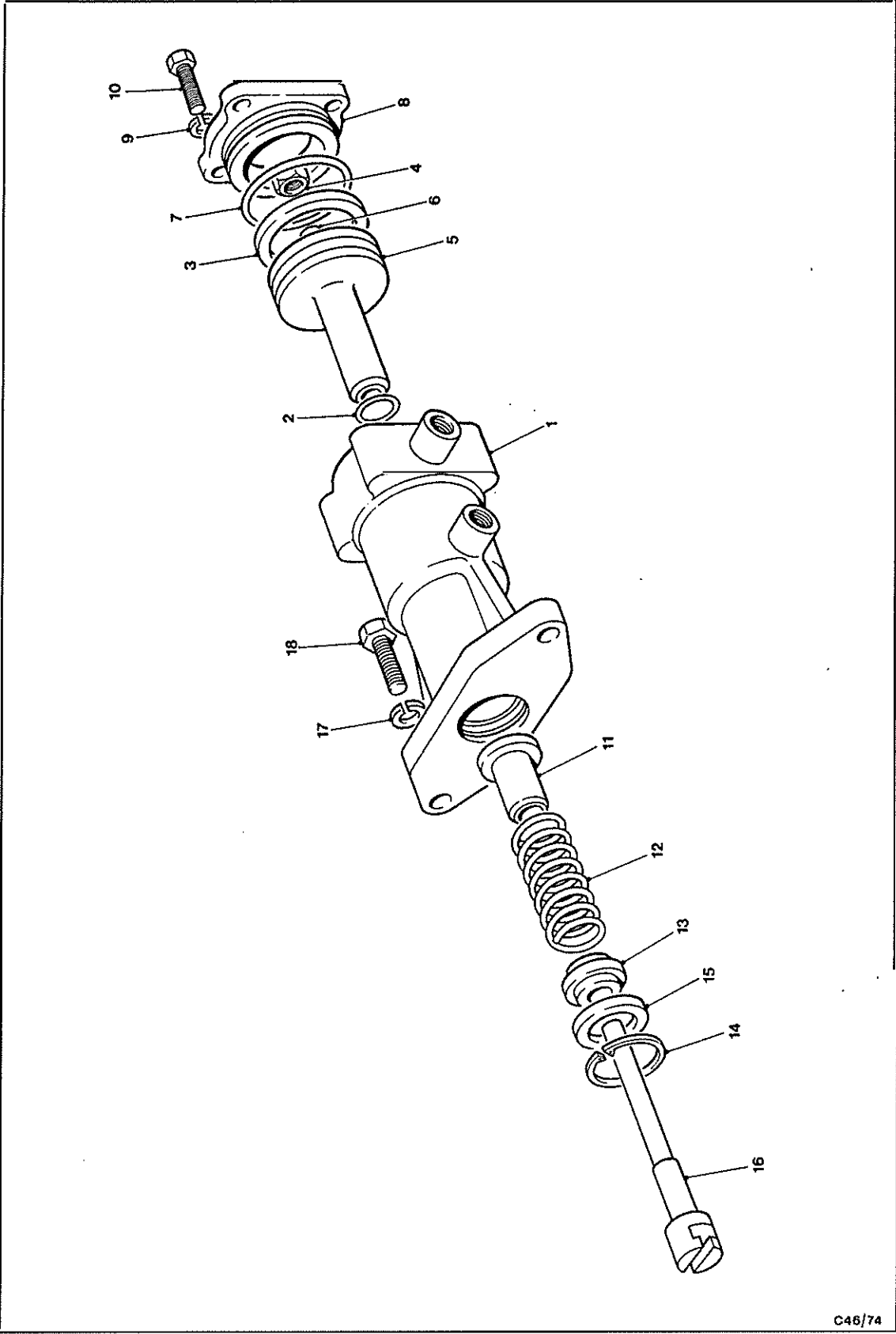


Fig 3 Pump

FIG ITEM	MAN CODE NAVY - N ARMY - A RAF - R	NATO STOCK NUMBER	ITEM NAME AND DESCRIPTION	PART NO./ DRAWING NO.	NO. OFF	ANNOTATIONS
Fig 3						
1-14	A	7EDT	4320-99-833-4888	HYDRAULIC TIPPING GEAR - contd		
2	A	7EDT	5315-99-834-1362	.PUMP ASSEMBLY, RAM	WPA62/4	1
3	A	7EDT	4320-99-449-6126	..PIN, STRAIGHT, HEADLESS, steel, 1/8 in. dia x 1/2 in. lg	E620	1
4	A	6MT7	3110-99-950-0573	..BLOCK, VALVE SEAT	NR142WC	1
5	A	6MT1	5330-99-801-6636	..BALL, BEARING, chrome, carbon steel, 3/8 in. dia	4B9782	6
6	A	7RS	4320-99-207-7083	..RING, SEALING, TOROIDAL, syn rubber, 1-3/8 in. id x 1/8 in. h		1
7	A	7EDT	2540-99-834-1154	..VALVE HEAD, steel, 1-23/32 in. od x 1-17/32 in. lg	A40253B	1
9	A	7EDT	5305-99-139-4824	..PLATE, RETAINING, CENTRE PLUG	SP29	1
10	A	7EDT	5340-99-831-5794	..SCREW, TAPPING, THREAD CUTTING, UNC, steel, pan hd, cross recess drive, 1/4 in. x 1/2 in. lg	KS120/4C/4	3
11	A	7EDT	5360-99-749-3630	..SPRING GUIDE, nylon, grey, 31/64 in. od	SG4	6
12	A	7EDT	5340-99-827-9257	..SPRING, HELICAL, COMPRESSION, steel, 0.656 in. od x 3.875 in. free lg	PS65/27	6
13	A	6MT7	3110-99-950-0576	..SEAT, COMPRESSION, HELICAL SPRING, steel, 13/16 in. od x 3/8 in. lg	NR358MS	6
14	A	7EDT	4320-99-749-3629	..BALL, BEARING, steel, 9/16 in. dia	9-16GD10	6
15	A	7EDT	4730-99-412-4321	..PLUNGER, PUMP, steel	PG65NC	6
16	A	7EDT	5310-99-834-1169	.ADAPTOR, ELBOW, PIPE	NR112/3	1
17	A	6MT1	5330-99-801-6628	.NUT, PLAIN, HEXAGON, BSPF, steel, 5/8 in. - 14	LN36	
18	A	7EDT	5330-99-834-1460	.RING, SEALING, TOROIDAL, syn rubber, 9/16 in. id x 3/32 in. h		1
19	A	7EDT	2540-99-834-1258	.GASKET	WS75/10	1
20	A	7EDT	4730-99-803-5413	.LOCKNUT, SPECIAL INLET ADAPTOR, WOBBLE PUMP	LN107	1
21	A	G1	5310-99-419-5246	.ELBOW PIPE, CI steel, 1-1/4 in. - 11 BSPF male thd one end, 1-1/8 in. - 11 BSPF male thd other end	NR110/7	1
22	A	7EDT	5306-99-139-4825	.WASHER, LOCK, steel, split helical ring, 3/8 in.		6
NI	A	7EDT	4720-99-833-4895	.BOLT, MACHINE, ISO metric, steel, double hex hd, 10 mm x 1.5 mm pitch x 85 mm lg	KS210	6
NI	A	7EDT	4720-99-833-4895	.HOSE ASSEMBLY, RUBBER, 1-1/4 in. od x 54 in. lg, 3/4 in. BSP female straight fittings at both ends	OP87/6/54	1
NI	A	7EDT	4730-99-833-4896	.HOSE ASSEMBLY low pressure hose	OP139D/42	1
NI	A	7EDT	4720-99-749-7328	.HOSE ASSEMBLY, RUBBER, swivel nut one end, fixed nut other end, wire reinforced hose, 42 in. lg	OP356/42	1
NI	A	7EDT	5330-99-804-2075	.GASKET, copper and asbestos, rd, 26 mm id x 39 mm od x 4 mm thk	WS75/11	4
NI	A	7EDT	4720-99-749-7329	.SLEEVE, ADAPTOR HOSE, brass, 1 in. dia bore x 1-1/2 in. od flange x 1.215 in. body	SF209	2
NI	A	7EDT	4730-99-757-3971	.NUT, UNION, HOSE, brass, 1-1/4 in. BSP female thd	SF61	4
NI	A	7EDT	4730-99-749-7330	.ADAPTOR, STRAIGHT, PIPE TO HOSE	SF210	2

2442



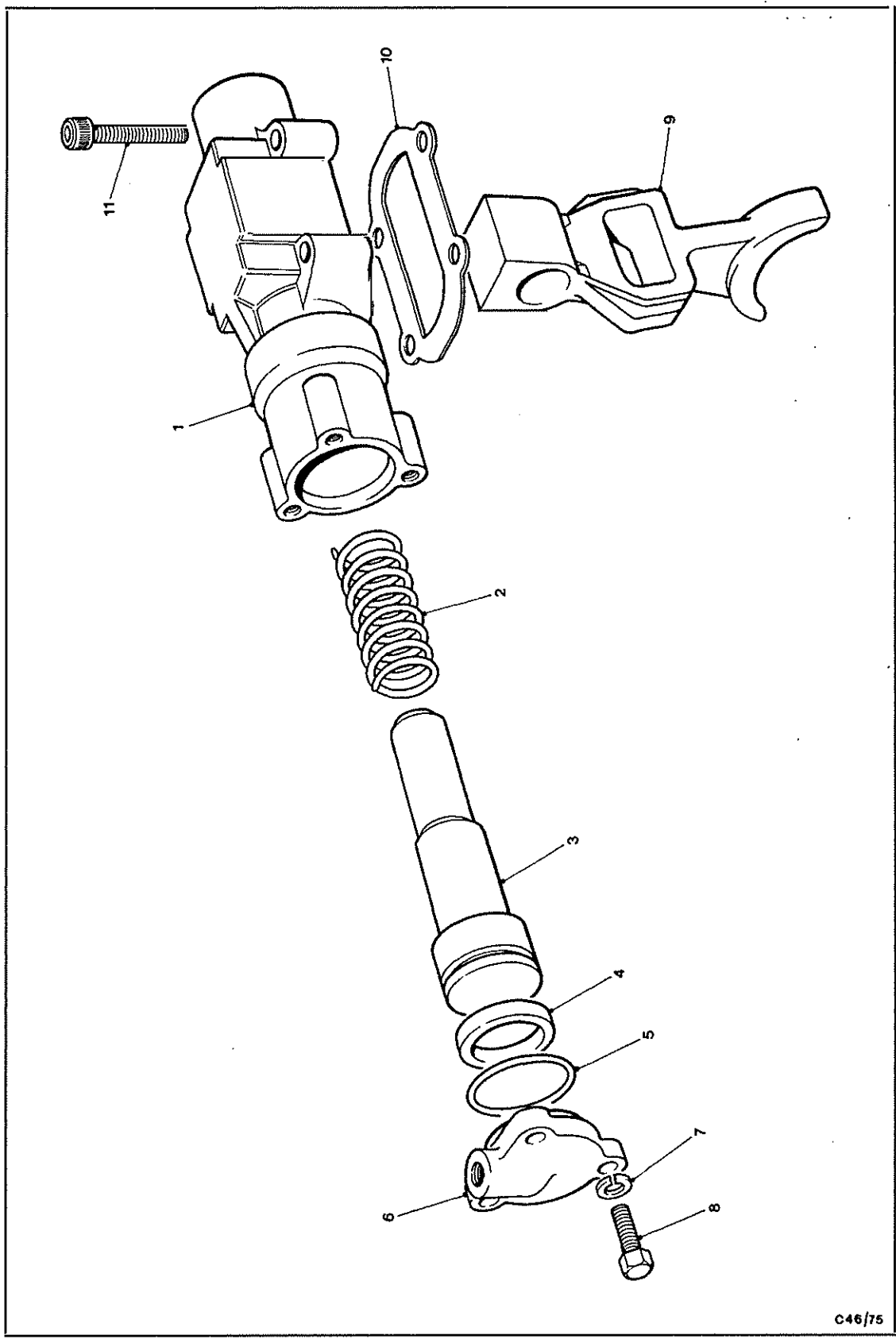
Chap 2-12

Fig 4 S I ctor valve

C46/74

FIG ITEM	MAN CODE NAVY - N ARMY - A RAF - R	NATO STOCK NUMBER	ITEM NAME AND DESCRIPTION	PART NO./ DRAWING NO.	NO. OFF	ANNOTATIONS	
Fig 4							
1-16	A	7EDT	2520-99-833-4893	HYDRAULIC TIPPING GEAR - contd	TLA26	1	
2	A	6MT1	5330-99-710-4701	.VALVE ASSEMBLY, CONTROL		1	
				..RING, SEALING, TOROIDAL, syn rubber, 9/16 in. id x 3/32 in. h		1	
3	A	6MT1	5330-99-970-8512	..RING, SEALING, TOROIDAL, syn rubber, 1-1/2 in. id x 3/16 in. h		1	
4	A	G1	5310-99-120-2770	..NUT, SELF-LOCKING, HEXAGON, BSF, steel, 5/16 in.		1	
6	A	6MT1	5330-99-943-0632	..RING, SEALING, TOROIDAL, syn rubber, 0.30 in. id x 0.07 in. thk		1	
7	A	6MT1	5330-99-809-4303	..RING, SEALING, TOROIDAL, syn rubber, 1-11/16 in. od x 3/32 in. h		1	
9	A	7RS	3825-99-208-9415	..WASHER, SPRING, steel, 1/4 in.	WS11	4	
10	A	G1	5305-99-941-1168	..SCREW, MACHINE, UNC, steel, hex hd, 1/4 in. x 3/4 in. lg		4	
11	A	7EDT	2520-99-749-7346	..STOP, DISTANCE VALVE, steel	DP195	1	
12	A	7EDT	5360-99-749-7345	..SPRING, HELICAL, COMPRESSION, steel, 1 in. od x 2 in. free lg		1	
13	A	7EDT	2520-99-749-7344	..DISTANCE PIECE, SHOULDERED, steel, 3/8 in. id x 0.730 in. max body, 1 in. od flange, 7/16 in. o/a lg	PS45/63	1	
14	A	7EDT	5365-99-749-7342	..RING, RETAINING, steel, circlip, int, 1-1/4 in. dia bore	DP196	1	
15	A	7EDT	5310-99-749-7343	..WASHER, FLAT, steel, 13/16 in. id x 1-1/4 in. od x 1/8 in. thk	PS69/125	1	
16	A	7EDT	2520-99-749-7341	..SHAFT, SELECTOR, VALVE	WS445 SL222	1	
17	A	G1	5310-99-941-6656	..WASHER, LOCK, steel, 3/8 in.		2	
NI	A	7EDT	2520-99-749-7339	..EXTENSION, VALVE BODY, aluminium casting	CC27/1	1	
NI	A	G1	5310-99-941-6656	..WASHER, LOCK, steel, 3/8 in.		2)Used to)secure)Ext.)valve to)control)valve
NI	A	G1	5306-99-941-9681	..BOLT, MACHINE, BSF, steel, hex hd 5/16 in. x 1 in. lg		2	
NI	A	G1	5310-99-120-1529	..NUT, PLAIN, HEXAGON, BSF, steel, 5/16 in.		2	
						2	

343



Chap 2-12

Fig 5 Pow r tak -off sei ctor

C46/75

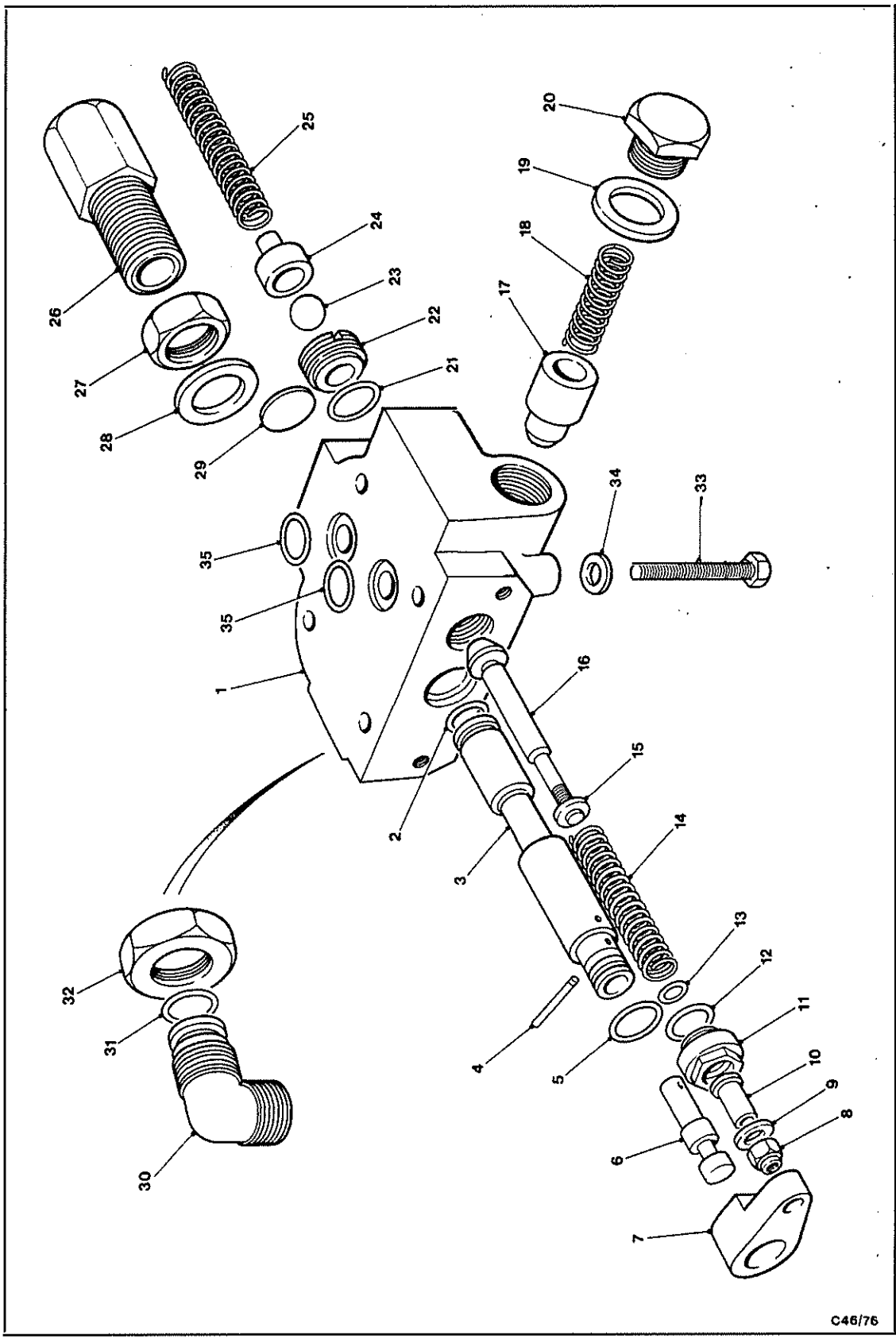
462

462

FIG ITEM	MAN CODE NAVY - N ARMY - A RAF - R	NATO STOCK NUMBER	ITEM NAME AND DESCRIPTION	PART NO./ DRAWING NO.	NO. OFF	ANNOTATIONS
Fig 3						
1-9	A	7RS	3825-99-207-8132	HYDRAULIC TIPPING GEAR - contd		
2	A	7EDT	2590-99-412-4244	..CONTROL UNIT	6646	1
				..SPRING, HELICAL, COMPRESSION, steel, 5-1/2 active coils, 63/64 in. free od x 1-7/8 in. free lg	PS65/16	1
3	A	7RS	3825-99-207-8134	..PISTON, CONTROL UNIT, steel, 3/4 in. smallest dia x 1-1/32 in. largest dia x 1-3/8 in. dia hd	A35692A	1
4	A	6MT1	5330-99-823-8866	..RING, SEALING, TOROIDAL, syn rubber, 1-1/8 in. id x 0.139 in. h		1
5	A	6MT1	5330-99-714-3018	..RING, SEALING, TOROIDAL, syn rubber, 1-3/8 in. id x 1/16 in. h		1
6	A	7RS	3825-99-208-9418	..INLET COVER, aluminium, 1/8 in. NPTF thd, 3 mtg holes 17/64 in. dia	A38265	1
7	A	7RS	3825-99-208-9415	..WASHER, SPRING, steel, 1/4 in.	WS11	3
8	A	G1	5305-99-941-1168	..SCREW, MACHINE, UNC, steel, hex hd, 1/4 in. x 3/4 in. lg		3
9	A	7EDT	2520-99-819-3973	..FORK, SELECTOR, GEARBOX, manganese bronze	OF35	1
10	A	7EDT	5330-99-811-4291	..GASKET, rect shape, 3-1/8 in. lg x 2-1/2 in. o/a w x 1/32 in. thk	PP237	1
11	A	G1	5305-99-970-6379	..SCREW, SOCKET HEAD, UNC, steel, flat fillister hd, 1/4 in. x 1-1/4 in. lg		4

SMH

474



C46/76

Chap 2-12

Fig 6 Control valve

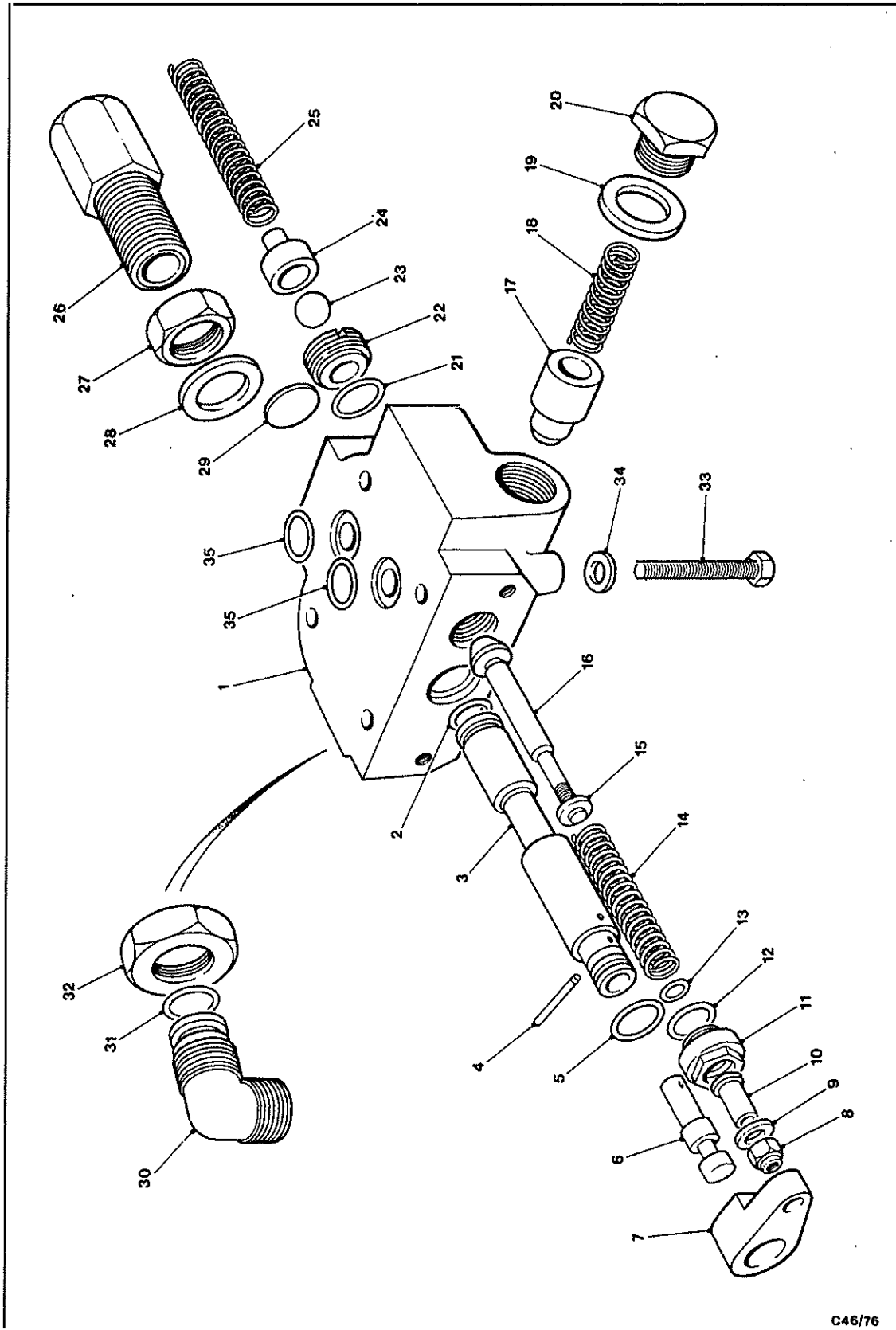
464

ARMY EQUIPMENT
SUPPORT PUBLICATIONS

2320-L-701-711

FIG ITEM	MAN CODE NAVY - N ARMY - A RAF - R	NATO STOCK NUMBER	ITEM NAME AND DESCRIPTION	PART NO./ DRAWING NO.	NO. OFF	ANNOTATIONS	
Fig 6 1-29	A	7EDT	2520-99-833-4893	HYDRAULIC TIPPING GEAR - contd ..VALVE ASSEMBLY, NEUTRAL CONTROL, power take-off	SVA175/A/7	1	
2	A	6MT1	5330-99-450-5092	..RING, SEALING, TOROIDAL, syn rubber, 31/64 in. id x 7/64 in. h		1	
3	A	7EDT	4820-99-827-1153	..SHAFT, SHOULDERED, steel, 5/8 in. max dia x 5-1/16 in. o/a lg	SLA71A	1	
4	A	G1	5315-99-520-9929	..PIN, SPRING, steel, 3/16 in. dia x 1-1/8 in. lg		1	
5	A	6MT1	5330-99-202-9804	..RING, SEALING, TOROIDAL, syn rubber, 11/16 in. id x 0.106 in. h		1	
6	A	7EDT	4820-99-827-1159	..EXTENSION SHAFT, steel, 7/16 in. max dia x 1-29/32 in. lg	SL225	1	
7	A	7EDT	4820-99-827-1152	..LEVER, REMOTE CONTROL, CI, 1-15/16 in. lg x 1 in. w x 3/4 in. h	OF43	1	
8	A	G1	5310-99-138-3418	..NUT, SELF-LOCKING, HEXAGON, BSF, steel, 1/4 in.		1	
9	A	G1	5310-99-101-7838	..WASHER, FLAT, steel, rd, 0.265 in. id x 0.620 in. od x 0.056 in. thk		1	
10	A	7EDT	3120-99-827-1154	..BUSHING, SLEEVE, steel, 1/4 in. id x 3/8 in. od x 1-3/64 in. o/a lg	NR1046	1	
11	A	7EDT	4820-99-827-1155	..SPINDLE GUIDE, brass, 1-1/16 in. od, 3/4 in. UNF male thd	NR747	1	
12	A	6MT1	5330-99-408-5718	..RING, SEALING, TOROIDAL, syn rubber, 3/4 in. id x 1/16 in. h		1	
13	A	6MT1	5330-99-943-9547	..RING, SEALING, TOROIDAL, syn rubber, 3/8 in. id x 1/16 in. h		1	
14	A	7EDT	5360-99-749-7335	..SPRING, HELICAL, COMPRESSION, steel, 5/8 in. od x 1-1/2 in. free lg	P65/68	1	
15	A	7EDT	5310-99-749-7334	..WASHER, FLAT, steel, 3/8 in. id x 5/8 in. od x 1/16 in. thk	WS71/158	1	
16	A	7EDT	4820-99-534-5171	..VALVE, SAFETY RELIEF	NA11677S	1	
17	A	7EDT	4820-99-822-2520	..SEAT, CHECK VALVE, steel, 5/16 in. id bore x 13/16 in. od x 1-3/16 in. lg	A40882	1	
18	A	6MT1	5360-99-827-1158	..SPRING, HELICAL, COMPRESSION, steel, 9 total coils, 1/2 in. od x 1-1/4 in. free lg		1	
19	A	7EDT	5365-99-137-0920	..SPACER, RING, copper, 29/32 in. hole size x 1-3/16 in. od x 1/16 in. thk	WS74/6	1	
20	A	7EDT	4730-99-822-2521	..PLUG, SCREWED, steel, hex hd, 5/8 in. BSPF	A40883	1	
21	A	6MT1	5330-99-810-0913	..RING, SEALING, TOROIDAL, syn rubber, 3/4 in. id x 3/32 in. h		1	
22	A	7EDT	4820-99-827-1157	..SEAT, VALVE, steel, angular seating, 7/16 in. id, 3/4 in. BSP male thd	NR364/1	1	
23	A	6MT7	3110-99-950-0577	..BALL, BEARING, steel, 5/8 in. dia		1	
24	A	7EDT	2540-99-834-1242	..NUDGER, OVERLOAD SPRING, NEUTRAL RELEASE VALVE, steel, rd hd, 7/16 in. dia, 3/8 in. dia under hd	OV9/1	1	

455



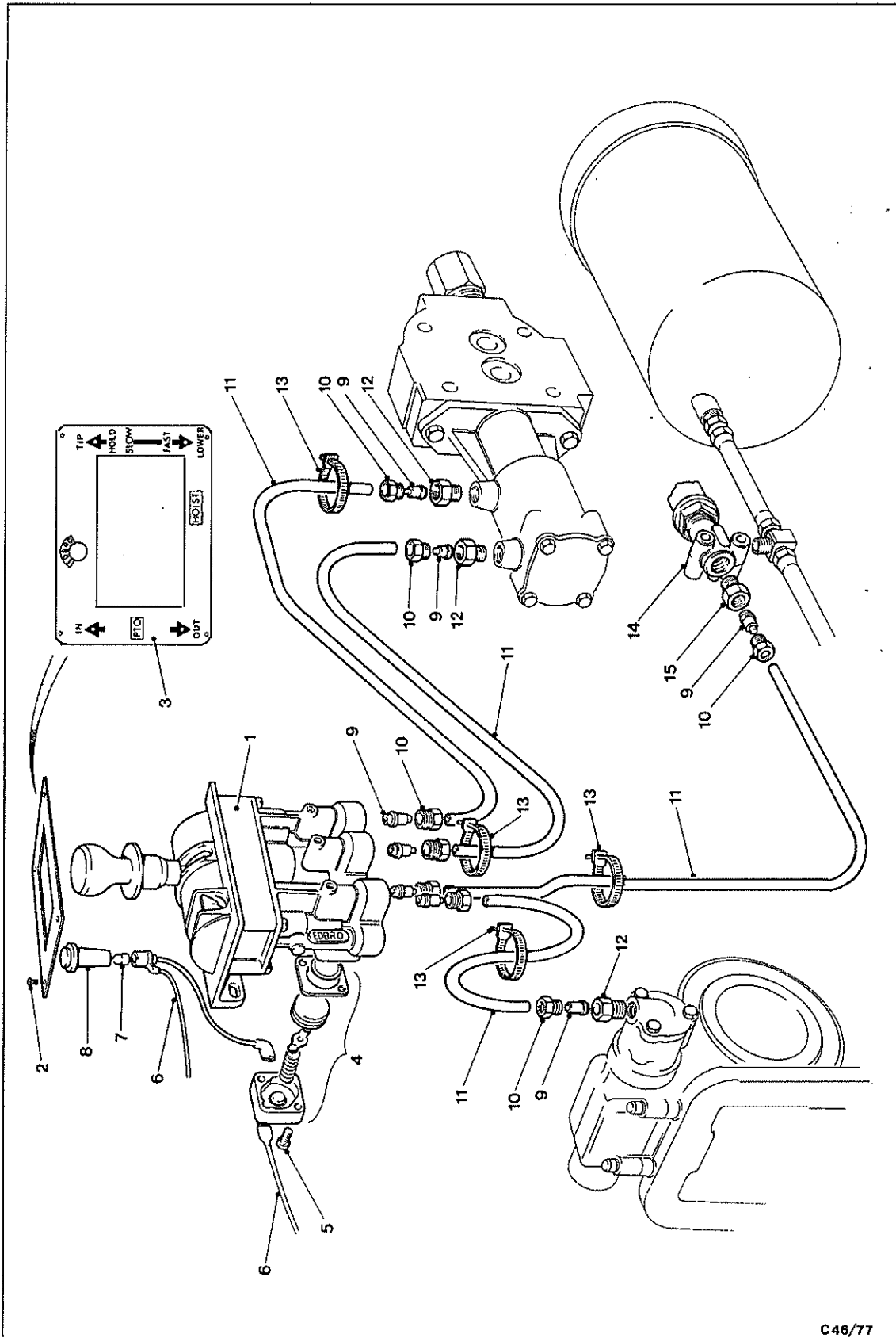
Chap 2-12

Fig 6 Control valve

C46/76

444

FIG ITEM	MAN CODE NAVY - N ARMY - A RAF - R	NATO STOCK NUMBER	ITEM NAME AND DESCRIPTION	PART NO./ DRAWING NO.	NO. OFF	ANNOTATIONS
Fig 6			HYDRAULIC TIPPING GEAR - contd			
25	A 7EDT	4320-99-801-8391	.VALVE ASSEMBLY, NEUTRAL CONTROL- contd			
27	A 7EDT	5310-99-834-1042	..SPRING, HELICAL, COMPRESSION, overload valve	PS65/28	1	
28	A 6MT1	5330-99-412-4106	..NUT, PLAIN, HEXAGON	LN5	1	
29	A 7EDT	2590-99-834-1003	..GASKET, copper/asbestos, 26 mm id x 35 mm od x 3 mm thk	WS6	1	
			..PLUG, METALCORE, No.58, red	MP1	1	
30	A 7EDT	4730-99-412-4321	.ADAPTOR, ELBOW, PIPE	NR112/3	1	
31	A 6MT1	5330-99-801-6628	.RING, SEALING, TOROIDAL, syn rubber, 9/16 in. id x 3/32 in. h		1	
32	A 7EDT	5310-99-834-1169	.NUT, PLAIN, HEXAGON, BSPF, steel, 5/8 in. - 14	LN36	1	
33	A G1	5306-99-941-9690	.BOLT, MACHINE, BSF, steel, hex hd, 5/16 in. x 2-3/4 in. lg		4	
34	A G1	5310-99-941-6655	.WASHER, LOCK, steel, split helical ring, 5/16 in.		4	
35	A 6MT1	5330-99-119-1128	.RING, SEALING, TOROIDAL, syn rubber, 7/8 in. id x 7/64 in. h		2	



Chap 2-12

Fig 7 Hand control valve and fittings

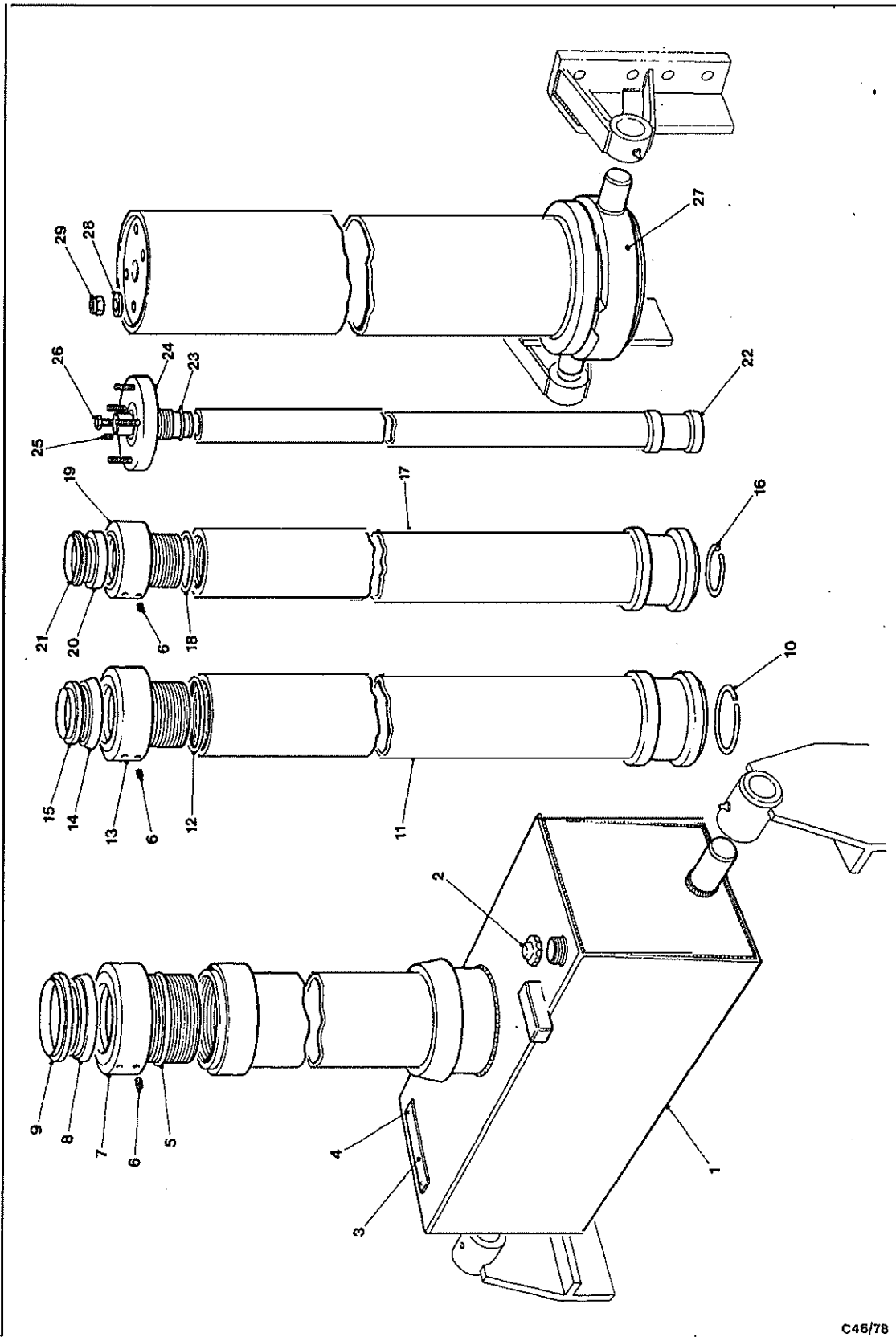
C46/77

2-12

450

FIG ITEM	MAN CODE NAVY - N ARMY - A RAF - R	NATO STOCK NUMBER	ITEM NAME AND DESCRIPTION	PART NO./ DRAWING NO.	NO. OFF	ANNOTATIONS
Fig 7						
1-8	A	7EDT	2520-99-758-0605			
NI	A	6MT1	5330-99-810-5080	SA2096	1	} Repair parts for hand control valve
NI	A	6MT1	5330-99-450-5092		2	
NI	A	6MT1	5330-99-202-9804		1	
NI	A	6MT1	5330-99-408-5718		1	
NI	A	6MT1	5330-99-943-9547		1	
NI	A	6MT1	5330-99-810-0913		1	
NI	A	6MT1	5330-99-710-4701		1	
NI	A	6MT1	5330-99-943-0632		1	
NI	A	6MT1	5330-99-809-4303		1	
4	A	7EDT	2520-99-749-7348			
7	A	X5	6240-99-995-9145	PM87	1	
8	A	7RS	6220-99-207-8391		1	
				KW3367-2	1	
9	A	7RS	4730-99-207-8127			
10	A	7RS	4730-99-207-8122	A51612	8	
11	A	7RS	4720-99-207-8128	A51613	8	
12	A	7RS	4730-99-207-8125	APN4-35	AR	
13	A	7RS	3825-99-208-9237	APF4-2	3	
14	A	7EDT	4810-99-207-8389	APC4	8	
15	A	7RS	4730-99-207-8124	277148	1	
				APF4/4	1	
NI	A	7EDT	2520-99-833-4894	91059991	1	

154



C46/78

Chap 2-12

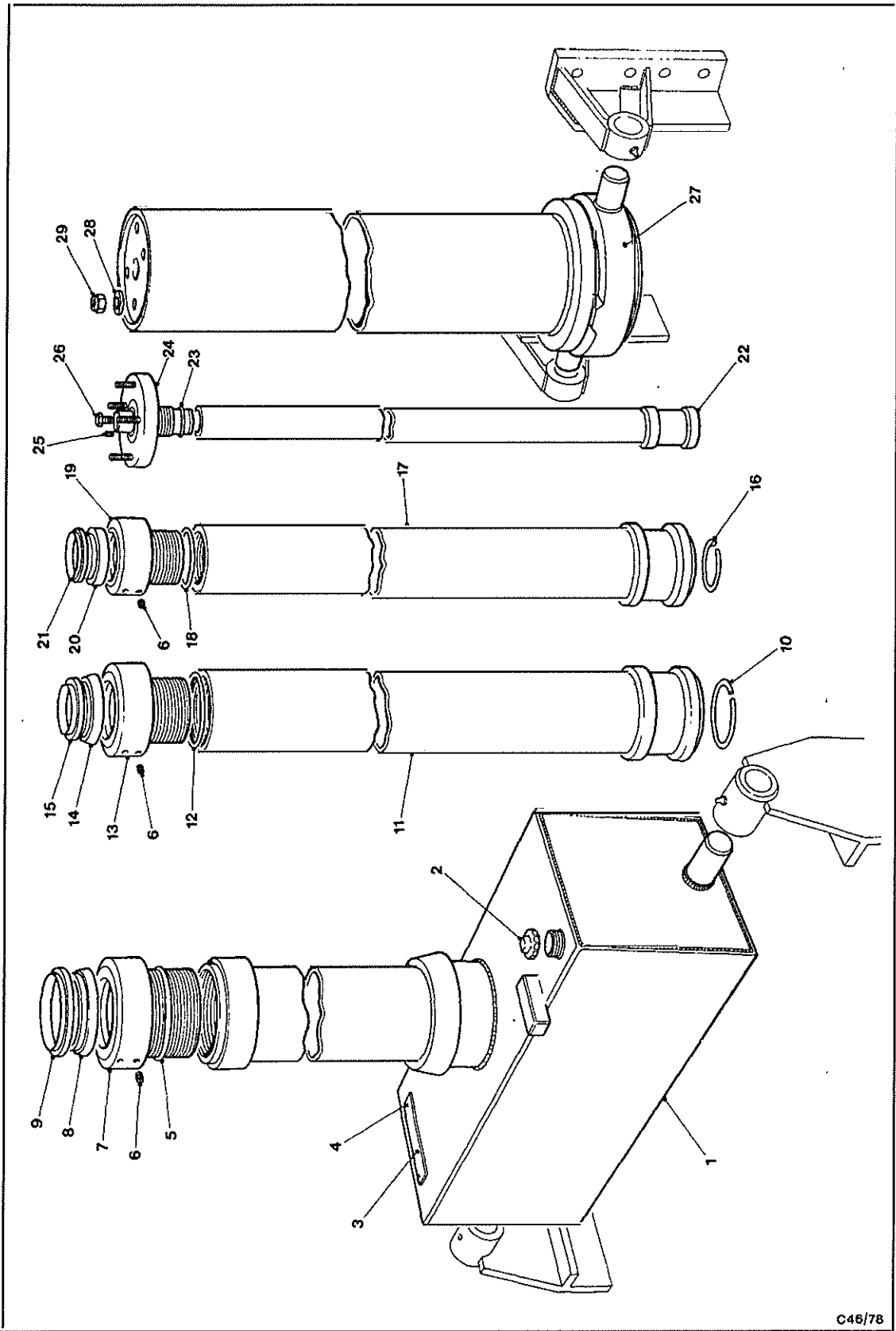
Fig 8 Ram and tank

452

470

FIG ITEM	MAN CODE NAVY - N ARMY - A RAF - R	NATO STOCK NUMBER	ITEM NAME AND DESCRIPTION	PART NO./ DRAWING NO.	NO. OFF	ANNOTATIONS
Fig 8						
1-29	A 7EDT	4320-99-755-6348	HYDRAULIC TIPPING GEAR - contd ..RAM TANK; w/base ram, outer cover and 3 rams	ED11003037 00XO3	1	
1-9	A 7EDT	2590-99-755-5628	..RAM TANK; c/w base ram	RTA77/LS/S 17471A	1	
2	A 7EDT	2590-99-755-5630	...CAP, FILLER OPENING, non-pressurised system, threaded type, brass	A24860C	1	
3	A 7EDT	9905-99-755-5629	...PLATE, INSTRUCTION, aluminium or brass, 2 x 1/8 in. dia mtg holes	K514/B	1	
4	A G1	5305-99-133-2796	...SCREW TAPPING, THREAD FORMING, steel, pan hd, cross recess drive, dog point, No.6 x 5/16 in. lg		2	
5	A 6MT1	5330-99-832-7441	...RING, SEALING, TOROIDAL, syn rubber, 4-3/4 in. id x 1/8 in. h		1	
6	A G1	5305-99-133-3484	...SCREW, GRUB, BSW, steel, socket drive, cup point, 1/4 in. x 1/4 in. lg		1	
7	A 7EDT	2590-99-755-5631	...RAM NUT, aluminium, int, spiral oil groove, 5.875 in. od x 4.843 in. lg	A52536E	1	
8	A 7EDT	2590-99-832-7438	...RING, SEALING, 4.365 in. shaft dia x 5.123 in. od	SAS437W	1	
9	A 6MT1	2590-99-832-7431	...RING, WIPER, polyurethane, 4.365 in. rod dia		1	
10	A 7EDT	5365-99-832-7432	..RING, RETAINING, spring steel, 4-1/8 in. od x 4 mm wire dia	PS158/4	1)))
11	A 7EDT	2590-99-755-5632	..RAM, TUBE, 4.375 in. od x 1400 mm lg	RTE76/1400	1	
12	A 6MT1	5330-99-815-1390	..RING, SEALING, TOROIDAL, rubber, 3-7/8 in. id x 1/8 in. h		1	
13	A 7EDT	2590-99-755-5634	..RAM NUT, aluminium, int, spiral oil groove, 5 in. od x 4.343 in. lg	A52537E	1) 1st stage ram
14	A 7EDT	2590-99-832-7433	..RING, SEALING, 3.615 in. shaft dia x 4.373 in. od	SAS362W	1	
15	A 6MT1	2590-99-832-7434	..RING, WIPER, polyurethane, 3-5/8 in. rod dia	EWS362	1)
16	A 7EDT	5365-99-832-7435	..RING, RETAINING, spring steel, 3-31/64 in. od x 4 mm wire dia	158/5	1)))
17	A 7EDT	2590-99-755-5636	..RAM, TUBE, 3.625 in. od x 1450 mm lg	RTE75/1450	1	
18	A 6MT1	5330-99-408-4987	..RING, SEALING, TOROIDAL, rubber, 3-1/4 in. id x 3-1/2 in. od x 9/64 in. h		1) 2nd stage ram
19	A 7EDT	2590-99-755-5637	..RAM NUT, aluminium, int, spiral oil groove, 4.375 in. o/a od x 4.375 in. o/a od x 4.119 in. lg	A52538E	1	
20	A 7EDT	2590-99-832-7436	..RING, SEALING, 2.990 in. shaft dia x 3.748 in. od	SAS300W	1)))
21	A 7EDT	2590-99-832-7439	..RING, WIPER, polyurethane, 2.990 in. rod dia	EWS300	1	
22	A 7EDT	2590-99-757-8759	..RAM, TUBE, 3 in. od x 1500 mm lg	RTD72/1/1500	1)))
23	A 6MT1	5330-99-817-0217	..RING, SEALING, TOROIDAL, syn rubber, 2-1/16 in. id x 0.139 in. h		1	

453



454

Fig 8 Ram and tank

FIG ITEM	MAN CODE NAVY - N ARMY - A RAF - R	NATO STOCK NUMBER	ITEM NAME AND DESCRIPTION	PART NO./ DRAWING NO.	NO. OFF	ANNOTATIONS
Fig 8			HYDRAULIC TIPPING GEAR - contd			
24	A	7EDT	.RAM TANK, w/base ram, outer cover and 3 rams - contd	A53889	1) 3rd stage ram
25	A	G1	..RAM, TOP, detachable top end ..SCREW, GRUB, ISO metric, steel, socket drive, full dog point, 10 mm x 1.50 mm pitch x 25 mm lg		1	
26	A	7EDT	..PLUG, SCREWED, hex hd	PA2	1)
NI	A	6MT1	..GASKET, steel/syn rubber, 0.540 in. id		1	
27	A	7EDT	..RAM, OUTER COVER, 7.125 in. od x 1330 mm lg	RTC77/2/1330	1)
28	A	G1	..WASHER, LOCK, steel, split helical ring, 5/8 in.		4	
29	A	G1	..NUT, SELF-LOCKING HEXAGON, ISO metric, steel, 16 mm		4	
NI	A	6MT1	..LUBRICATING NIPPLE, steel, straight hydraulic type, 1/8 in. - 28 BSP male thd		4) Used to secure ram tank brackets to chassis
NI	A	G1	..BOLT, MACHINE, UNF, steel, hex hd, 5/8 in. x 2 in. lg		12	
NI	A	G1	..WASHER, FLAT, steel, rd, 5/8 in. id		20)
NI	A	G1	..WASHER, LOCK, steel, split helical ring, 5/8 in. id		20	
NI	A	G1	..NUT, PLAIN, HEXAGON, UNF, steel, 5/8 in.		20)
NI	A	G1	..BOLT, MACHINE, UNF, steel, hex hd, 5/8 in. x 2-1/4 in. lg		8	
NI	A	7EDT	..BAR, HINGE, ASSEMBLED	HB10/4	1) Body hinge
NI	A	G1	..SCREW, MACHINE, UNF, steel, hex hd, 5/8 in. x 1-3/4 in. lg		12	
NI	A	G1	..BOLT, MACHINE, UNF, steel, hex hd, 5/8 in. x 5 in. lg		10	
NI	A	G1	..NUT, PLAIN, HEXAGON, UNF, steel, 5/8 in.		22	

554

954

ARMY EQUIPMENT
SUPPORT PUBLICATIONS

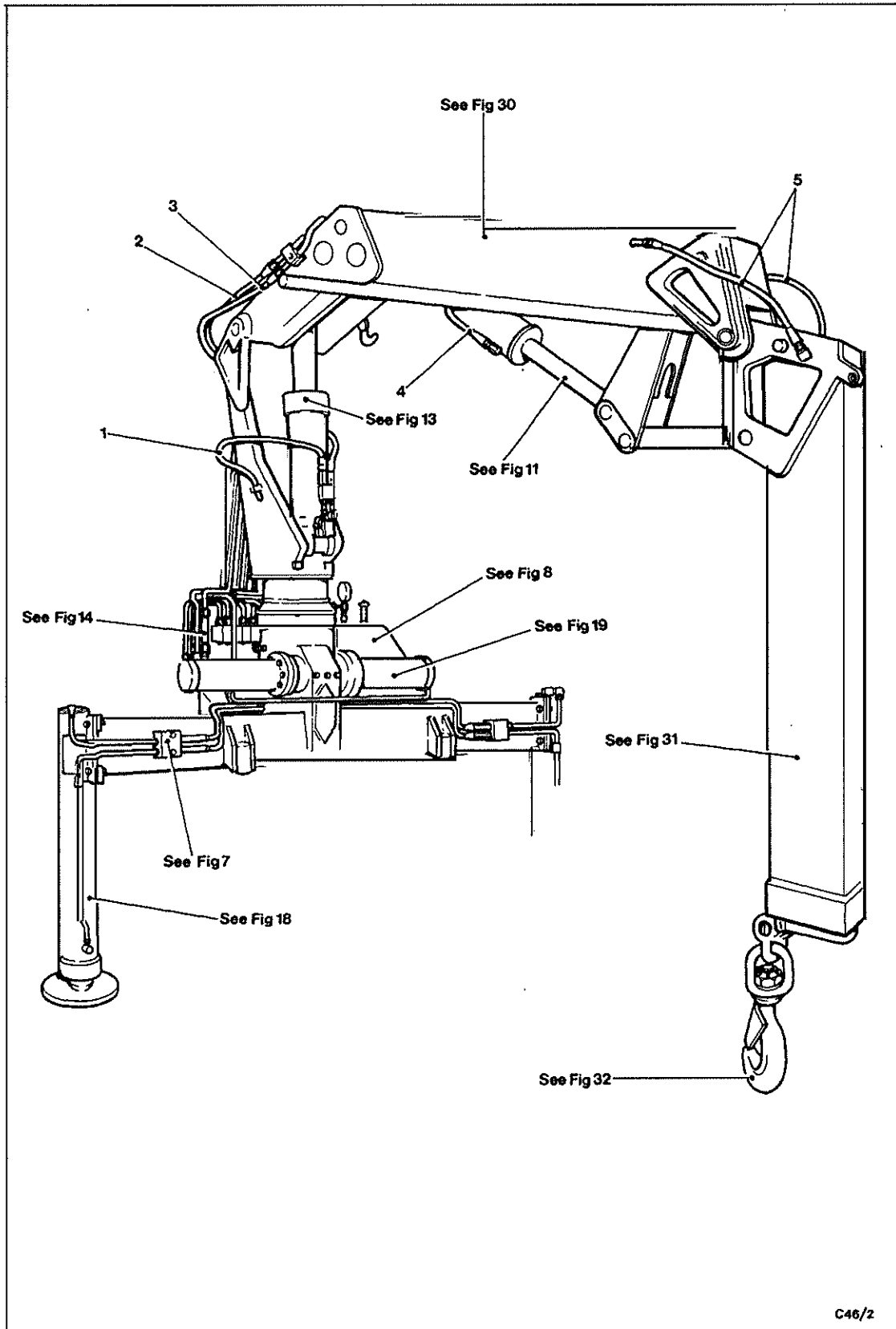
2320-L-701-711

CHAPTER 2-13
CRANE

Issued Nov. 1983

475

457



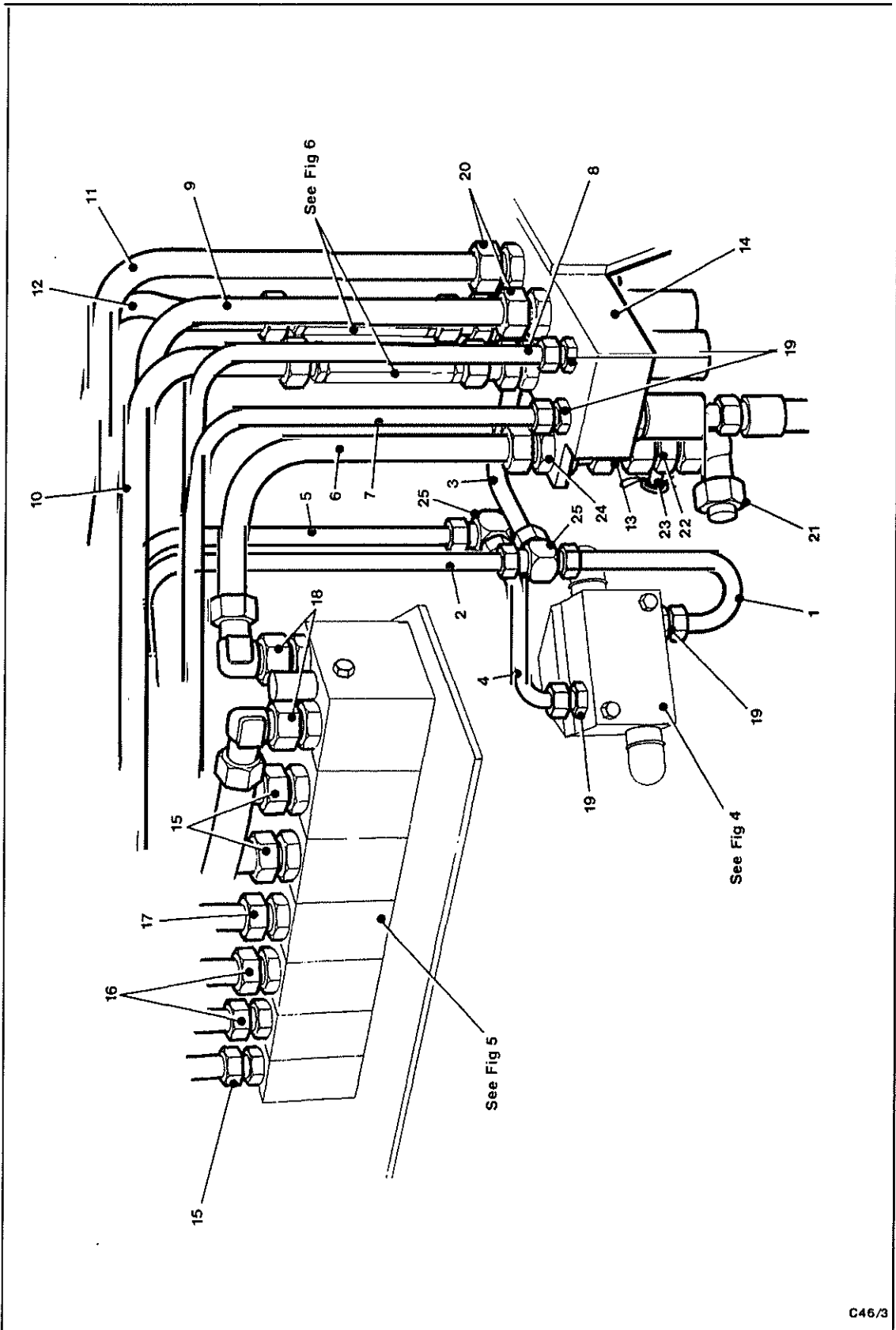
1458

Fig 1 Atlas AK 3500A 2 tonne crane

476

FIG ITEM	MAN CODE NAVY - N ARMY - A RAF - R	NATO STOCK NUMBER	ITEM NAME AND DESCRIPTION	PART NO./ DRAWING NO.	NO. OFF	ANNOTATIONS
Fig 1			CRANE			
1	A	8REAT 2590-99-751-1962	..HYDRAULIC HOSES --			
2	A	8REAT 2590-99-752-1777	..HOSE ASSEMBLY: jib ram	354687	2	
3	A	8REAT 2590-99-751-2378	..HOSE ASSEMBLY: telescopic ram	855605	2	
4	A	8REAT 2590-99-751-0633	..HOSE ASSEMBLY: high pressure	375024	2	
NI	A	8REAT 2590-99-833-1542	..HOSE ASSEMBLY: boom, telescopic ram	305655	2	
			..HOSE ASSEMBLY	384774	2	
NI	A	8REAT 4710-99-837-6796	..PIPE ASSEMBLY: pump outlet to flex hose	91085897	1	
NI	A	8REAT 5340-99-837-6777	..BLOCK, LOCATING	91085898	2	
NI	A	G1 5306-99-941-0303	..BOLT, MACHINE, UNF, steel, hex hd, 5/16 in. x 2-1/2 in. lg		2	
NI	A	G1 5310-99-122-6475	..WASHER, FLAT, steel, 8 mm x 17 mm od x 1.6 mm thk		2	
NI	A	G1 5310-99-941-6655	..WASHER, LOCK, steel, split helical ring, 5/16 in.		2	
NI	A	G1 5310-99-136-1515	..NUT, PLAIN, HEXAGON, UNF, steel, 5/16 in.		2	
NI	A	6MT1 4720-99-827-0895	..PIPE ASSEMBLY, 16 mm id x 1,548 mm o/a lg	9108599	1	
NI	A	7ED 5340-99-824-8871	..STRAP, LINE SUPPORTING, nylon	07212111	6	
NI	A	8REAT 4710-99-837-6797	..PIPE ASSEMBLY, hose to valve block	91090000	1	
NI	A	8REAT 4730-99-823-7190	..ADAPTOR, STRAIGHT, PIPE, BSP, 1/4 in.	91090020	1	
NI	A	8REAT 4710-99-736-1667	..PIPE, steel, 35 mm od x 90° x 345 mm lg, valve to flex hose	91085855	1	
NI	A	8REAT 2590-99-832-2305	..PIPE, steel, 90°, tank to shut off valve	91085895	1	
NI	A	8REAT 5330-12-156-4784	..GASKET, copper	91090019	1	
NI	A	8REAT 2590-99-832-2312	..CLIP, insulated	91090006	1	
NI	A	7ED 2590-99-752-2642	..PIPE, ASSEMBLY, valve to pump	91068912	1	
NI	A	8REAT 4710-99-736-1671	..PIPE, steel, 35 mm od x 90° x 480 mm lg, hose to pump inlet	91085854	1	

459



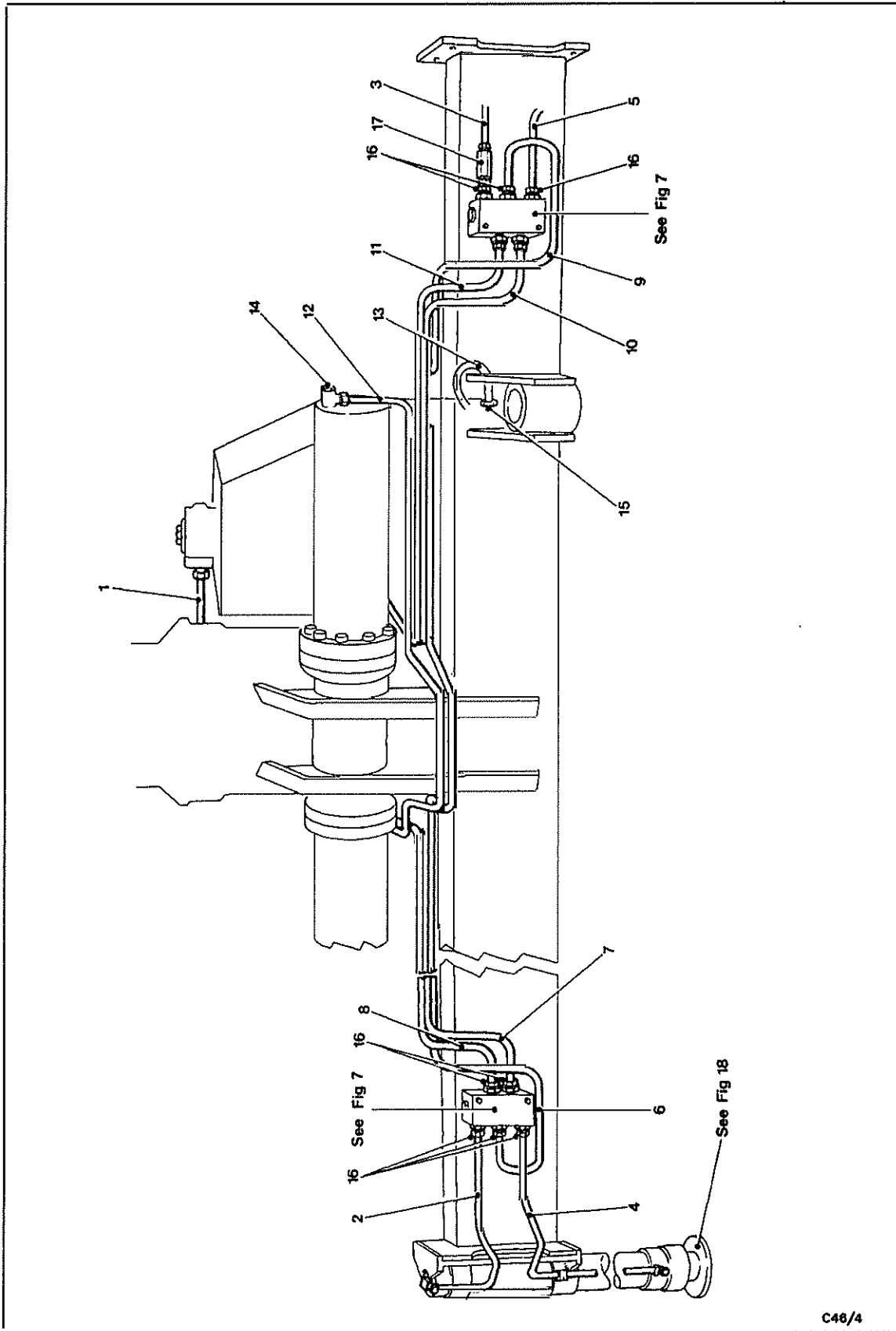
Chap 2-13

Fig 2 Hydraulic pipes and fittings

C46/3

1460

FIG ITEM	MAN CODE NAVY - N ARMY - A RAF - R	NATO STOCK NUMBER	ITEM NAME AND DESCRIPTION	PART NO./ DRAWING NO.	NO. OFF	ANNOTATIONS
Fig 2			CRANE - contd .HYDRAULIC PIPES AND FITTINGS -			
1	A	8REAT 2590-99-751-9273	..PIPE, OIL: No. 1	682786	1	
2	A	8REAT 2590-99-751-9270	..PIPE, OIL: No. 8	682753	1	
3	A	8REAT 2590-99-751-9271	..PIPE, OIL: No. 9	682764	1	
4	A	8REAT 2590-99-751-9272	..PIPE, OIL: No. 10	682775	1	
5	A	8REAT 2590-99-751-9269	..PIPE, OIL: No. 7	682742	1	
6	A	8REAT 2590-99-751-9283	..PIPE, OIL: No. 19	682899	1	
7	A	8REAT 2590-99-751-9276	..PIPE, OIL: No. 6	682811	1	
8	A	8REAT 2590-99-751-9275	..PIPE, OIL: No. 5	682800	1	
9	A	8REAT 2590-99-751-9281	..PIPE, OIL: No. 21	682866	1	
10	A	8REAT 2590-99-751-9280	..PIPE, OIL: No. 20	682855	1	
11	A	8REAT 2590-99-751-9277	..PIPE, OIL: No. 22	682822	1	
12	A	8REAT 2590-99-751-9278	..PIPE, OIL: No.23	682833	1	
13	A	8REAT 2590-99-751-9279	..PIPE, OIL: No.24	682844	1	
14		NP	..DUCT BLOCK	0955888	1	
NI	A	8REAT 2590-99-838-2737	..VALVE, CONTROL	861692	1	See Fig 5
15	A	8REAT 2590-99-833-1396	..COUPLING	455087	6	
16	A	8REAT 4730-99-826-7049	..DOUBLE-ENDED UNION, HOSE, MALE	427925	8	
17	A	8REAT 2590-99-838-2772	..COUPLING; w/restrictor 1.7	319479	2	
18	A	8REAT 4730-99-751-3707	..ELBOW, PIPE	426797	2	
19	A	8REAT 2590-99-833-1395	..COUPLING	455021	4	
20	A	8REAT 2590-99-833-1397	..COUPLING	425401	4	
NI	A	G1 5330-12-156-4530	..GASKET, copper, 22 mm id x 29 mm od x 1.5 mm thk		6	
21	A	8REAT 2590-99-824-0818	..PLUG, BLIND	222564	1	
22	A	8REAT 2590-99-751-3536	..COUPLING	414806	1	
23	A	8REAT 2590-99-750-7696	..CONNECTOR, pressure testing	198336	1	
24	A	8REAT 2590-99-838-2773	..COUPLING	381986	1	
25	A	8REAT 4730-99-826-7048	..TEE, PIPE, steel, 12 mm tube dia; c/w unions	426833	3	



Chap 2-13

Fig 3 Hydraulic pipes and fittings

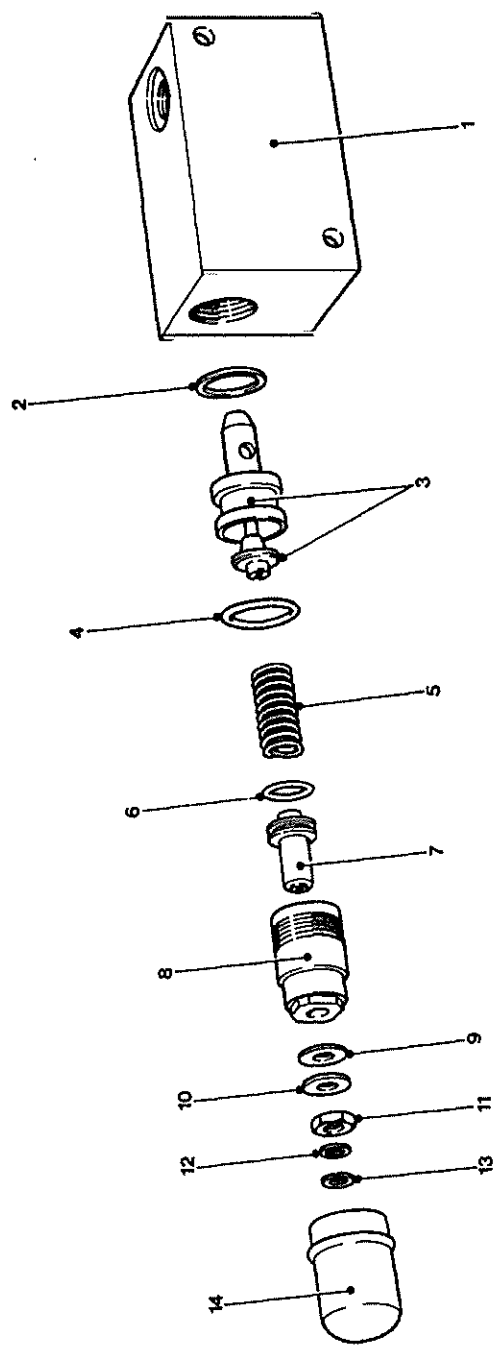
C48/4

462

FIG ITEM	MAN CODE NAVY - N ARMY - A RAF - R	NATO STOCK NUMBER	ITEM NAME AND DESCRIPTION	PART NO./ DRAWING NO.	NO. OFF	ANNOTATIONS
Fig 3			CRANE - contd ..HYDRAULIC PIPES AND FITTINGS - contd			
1	A	8REAT 2590-99-751-9282	..PIPE, OIL: No.18	682888	1	
2	A	8REAT 2590-99-751-9249	..PIPE, OIL: No.16L	681456	1	
3	A	8REAT 2590-99-751-9250	..PIPE, OIL: No.16R	681467	1	
4	A	8REAT 2590-99-751-9251	..PIPE, OIL: No.17L	681478	1	
5	A	8REAT 2590-99-751-9252	..PIPE, OIL: No.17R	681489	1	
NI	A	8REAT 2590-99-751-9268	..PIPE, OIL: No.26	682731	1	
6	A	8REAT 2590-99-751-9263	..PIPE, OIL: No.4	682684	1	
7	A	8REAT 2590-99-751-9261	..PIPE, OIL: No.2	682662	1	
8	A	8REAT 2590-99-751-9262	..PIPE, OIL: No.3	682673	1	
9	A	8REAT 2590-99-751-9265	..PIPE, OIL: No.12	682708	1	
10	A	8REAT 2590-99-751-9266	..PIPE, OIL: No.13	682719	1	
11	A	8REAT 2590-99-751-9267	..PIPE, OIL: No.14	682720	1	
12	A	8REAT 2590-99-751-9274	..PIPE, OIL: No.15	682797	1	
13	A	8REAT 2590-99-751-9264	..PIPE, OIL: No.11	682695	1	
14	A	8REAT 2590-99-833-1500	..COUPLING	426866	2	
15	A	6MT1 4730-99-826-7050	..REDUCER, PIPE, steel, 18 mm to 12 mm tube dia; c/w nut & ring, female to female	426877	1	
16	A	8REAT 2590-99-833-1396	..COUPLING	455087	10	
NI	A	8REAT 2590-99-751-8600	..VALVE, NON-RETURN: centre column	636428	2	

463

404



C46/5

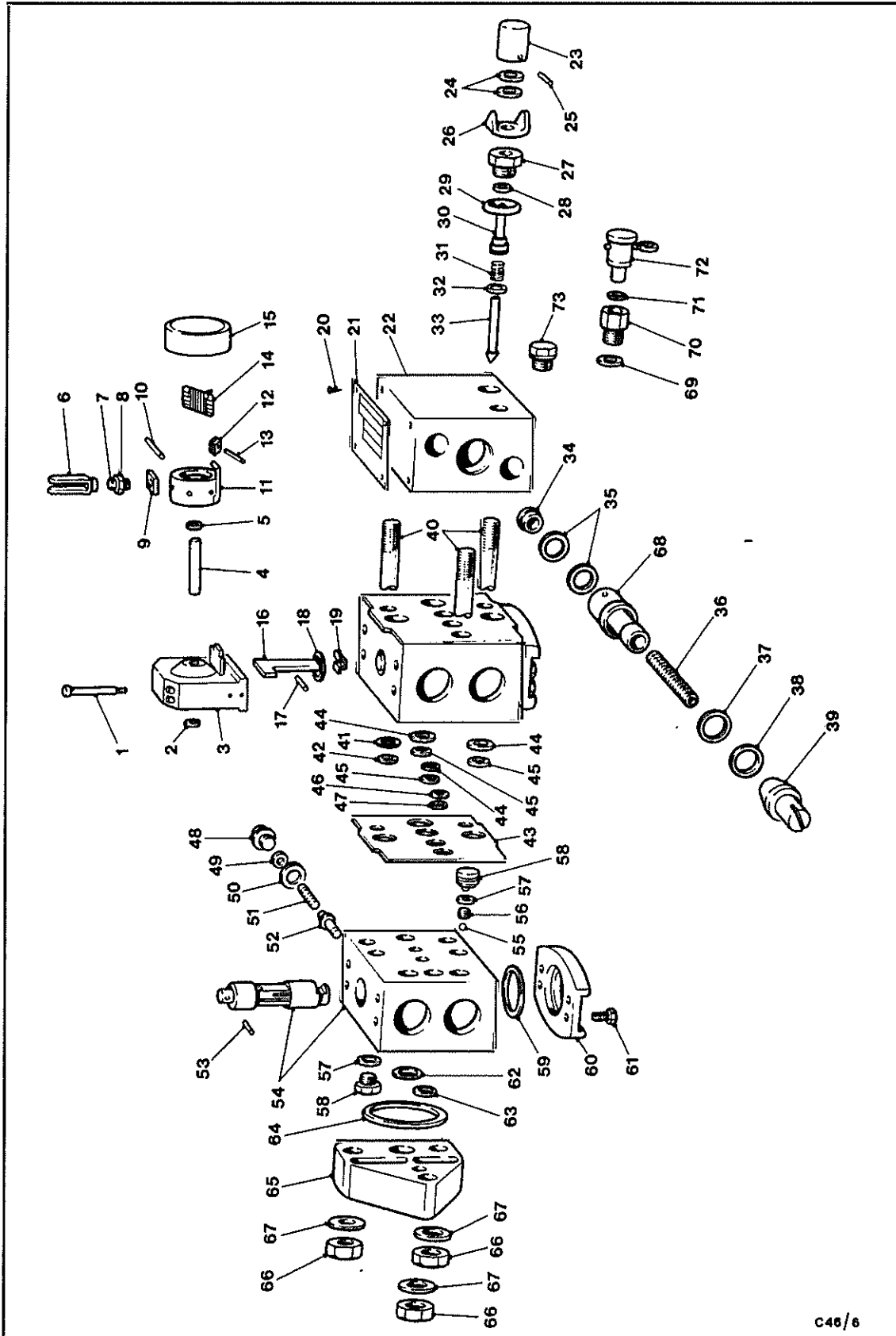
Chap 2-13

Fig 4 Double lift valve

482

FIG ITEM	MAN CODE NAVY - N ARMY - A RAF - R	NATO STOCK NUMBER	ITEM NAME AND DESCRIPTION	PART NO./ DRAWING NO.	NO. OFF	ANNOTATIONS
Fig 4						
1-14	A 8REAT	2590-99-833-1525	CRANE - contd ..VALVE, DOUBLE RELIEF, assy; w/w pressure regulating slewing ram	609038	1	
2-14	A 8REAT	2590-99-833-1526	..VALVE, CARTRIDGE	378798	2	
2	A 6MT9	5330-99-823-6524	...GASKET	1-520-105- 006	2	
3	A 6MT9	4820-99-823-7195	...BODY AND CONE	1-527-410- 011	2	
4	A 6MT9	5330-99-823-6523	...RING, SEALING, TOROIDAL	1-520-210- 000	2	
5	A 6MT9	5360-99-823-6600	...SPRING, HELICAL, COMPRESSION	1-534-619- 001	2	
6	A 6MT9	5330-99-823-6522	...RING, SEALING, TOROIDAL	1-520-210- 005	2	
7	A 8REAT	2590-99-833-1527	...SETSCREW: adjusting	347393	2	
8	A 8REAT	2590-99-838-3476	...SCREW: adaptor	347382	2	
9	A 8REAT	5310-99-977-9037	...WASHER, FLAT	312574	2	
10	A 8REAT	5310-99-977-9036	...WASHER, FLAT	347371	2	
11	A 8REAT	5310-99-977-9035	...NUT, FLAIN, HEXAGON	347359	2	
12	A 8REAT	5310-99-977-9034	...WASHER, FLAT	347360	2	
13	A 6MT1	5365-99-811-0810	...RING, RETAINING, steel, ext, 6 mm id		2	

465



Chap 2-13

Fig 5 Control valve

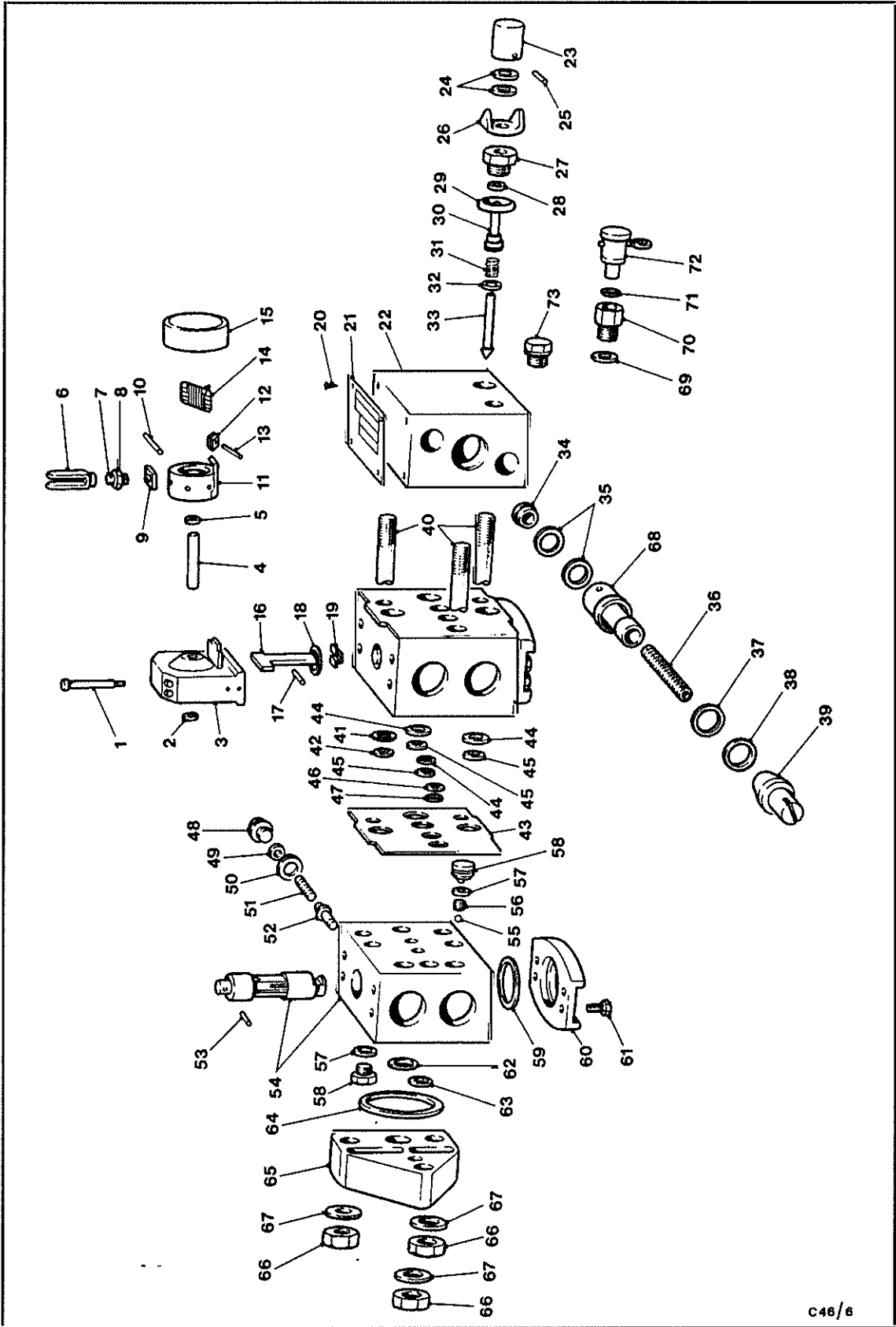
C46/6

466

466

FIG ITEM	MAN CODE NAVY - N ARMY - A RAF - R	NATO STOCK NUMBER	ITEM NAME AND DESCRIPTION	PART NO./ DRAWING NO.	NO. OFF	ANNOTATIONS
Fig 5						
1-72	A	8REAT	2590-99-838-2737	CRANE - contd		
1	A	8REAT	5305-99-838-2740	..VALVE ASSEMBLY, CONTROL	861692	1
2	A	8REAT	5330-99-826-5876	..SCREW, SOCKET HEAD, SI, metric, 6 mm x 65 mm lg	494824	4
5	A	8REAT	5310-99-826-5875	..GASKET, copper, 15.2 mm od x 10.4 mm id x 3.8 mm thk	494084	2
6	A	8REAT	2590-99-838-2741	..WASHER, CONTROL LEVER	494073	1
7	A	8REAT	5307-99-838-2742	..FORK HEAD	487201	1
8	A	8REAT	5310-99-838-2743	..STUD, CONTINUOUS THREAD, SI metric, 8 mm x 35 mm lg	437687	1
9	A	8REAT	5310-99-838-2744	..NUT, PLAIN, HEXAGON, SI, metric, 8 mm	494233	1
10	A	G1	5315-99-138-7025	..WASHER, sq	494164	1
13	A	G1	5315-99-139-7206	..PIN, SPRING, steel, 4 mm dia x 24 mm lg		1
14	A	8REAT	5360-99-833-0180	..PIN, SPRING, steel, 3 mm dia x 33 mm lg		1
16	A	8REAT	2590-99-833-0181	..SPRING, TORSION: control lever	811943	1
17	A	G1	5315-99-139-3793	..LEVER: control valve	811954	1
18	A	8REAT	5330-99-827-1848	..PIN, SPRING, steel, 4 mm dia x 16 mm lg	494120	1
28, 29	A	8REAT	2590-99-833-1438	..RING, SEALING	320212	1
35, 37	(..PACKING SET, CONNECTION BLOCK	812262)
38	() AR
40	A	8REAT	5306-12-184-8369	..ROD, THREADED END, metric, steel, 10 mm - 1.5 mm x 340mm lg	812079	3
41, 42	(..PACKING SET, CONNECTION BLOCK	812342)
44, 47	() AR
NI	A	8REAT	2590-99-833-1440	..PACKING SET, CONTROL VALVE ASSEMBLY)
57	A	8REAT	5330-99-833-1475	..RING, SEALING, TOROIDAL	318490	3
59	A	8REAT	5330-99-827-1307	..RING, SEALING, RELIEF VALVE	300627	1
61	A	8REAT	5305-99-838-2745	..SCREW, MACHINE, SI, metric, hex hd, 6 mm x 12 mm lg	342412	4
41-47	(..VALVE BLOCK, TELESCOPIC JIB	812319	3
53-54	()
59&61	()
41-47	(..VALVE BLOCK, SLEWING	812308	1
53-54	()
59&61	()
41-61	A	8REAT	2590-99-838-2738	..VALVE BLOCK, JIB LIFTING	862853	1
41-61	A	8REAT	2590-99-833-1434	..VALVE BLOCK, JIB FOLDING	812295	1
57	A	8REAT	5330-99-833-1475	..VALVE BLOCKS -	318490)
58	A	8REAT	5365-99-826-5984	...RING, SEALING, TOROIDAL	494357)
59	A	8REAT	5330-99-827-1307	...PLUG, SPRING HOLDER	300627)
60	A	8REAT	2590-99-826-5982	...RING, SEALING	494335)
61	A	8REAT	5305-99-838-2745	...COVER, PLATE, LOWER)
				...SCREW, MACHINE, SI, metric, hex hd, 6 mm x 12 mm lg	342412	8
62-65	A	8REAT	2590-99-838-2739	..ENDFLATE, VALVE CONTROL ASSEMBLY	812320	1
62	A	8REAT	5330-99-838-2746	...GASKET	812217	1
63	A	8REAT	5330-99-838-2748	...GASKET	812228	1
64	A	8REAT	5330-99-838-2747	...RING, SEALING, 48.90 mm od x 2.62 mm thk	812239	1

194



465

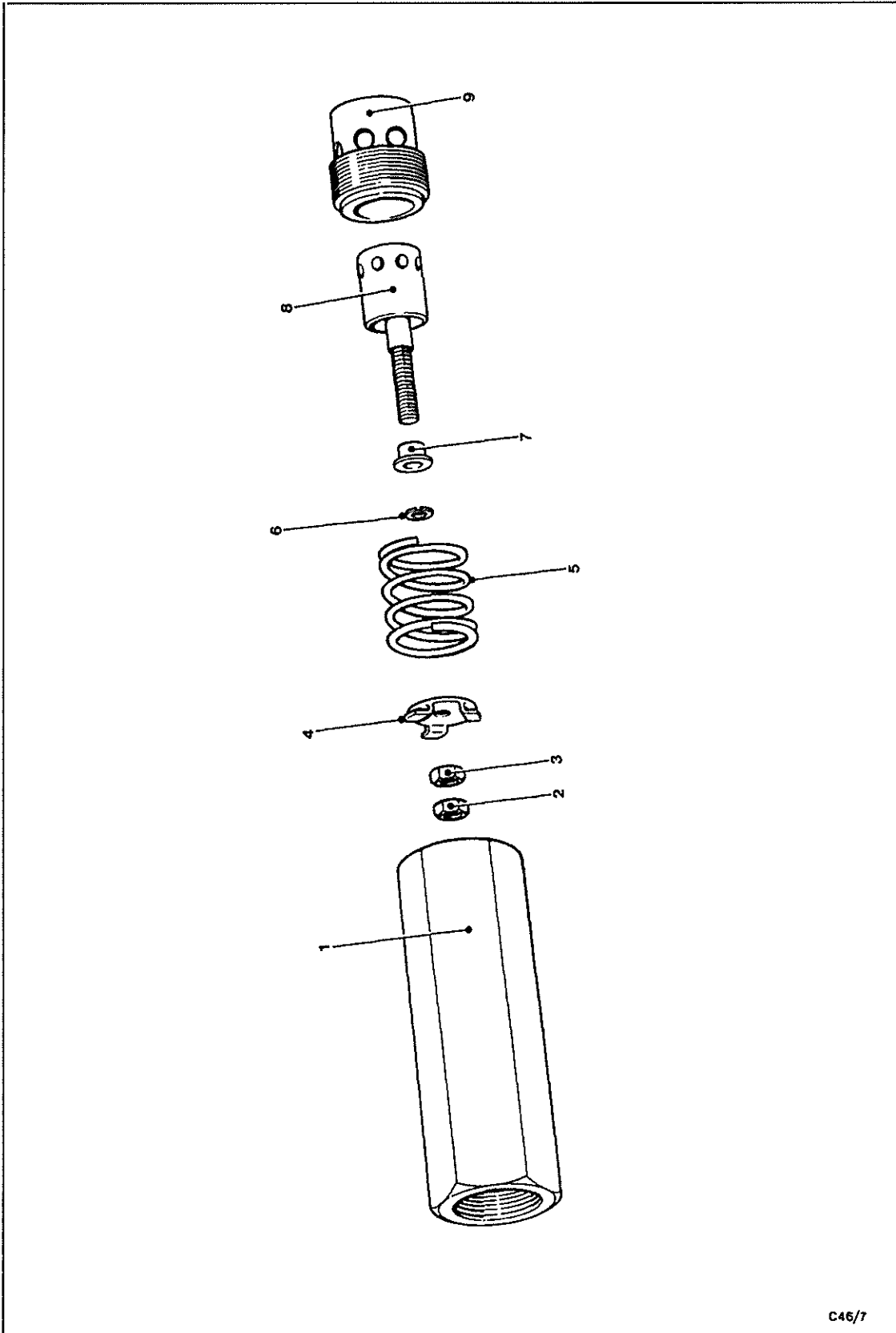
Chap 2-13

Fig 5 Control valv

C46/8

FIG ITEM	MAN CODE NAVY - N ARMY - A RAF - R	NATO STOCK NUMBER	ITEM NAME AND DESCRIPTION	PART NO./ DRAWING NO.	NO. OFF	ANNOTATIONS
Fig 5						
66	A G1	5310-99-122-5297	CRANE - contd ..VALVE ASSEMBLY, CONTROL - contd			
67	A G1	5310-99-122-3413	..NUT, PLAIN, HEXAGON, SI metric, steel, 10 mm		3	
69	A 8REAT	5330-99-838-2749	..WASHER, FLAT, steel, 10 mm ..RING, SEALING	494255	3 1	
70-72	A 8REAT	4730-99-833-1437	..ADAPTOR, COUPLING, VALVE, male and female thd; hex drive	494266	1	
71	A 8REAT	5330-99-838-3355	...RING, SEALING, 6.07 mm dia x 1.78 mm thk	319775	1	
72	A 8REAT	2590-99-828-2242	...CONNECTION MEASURING	339111	1	
20-39 68&73)A 8REAT	2590-99-833-0182	..BLOCK, CONNECTING; c/w valves and connectors	811987	1	

599
44



Chap 2-13

Fig 6 Low ring brake valve

C46/7

470

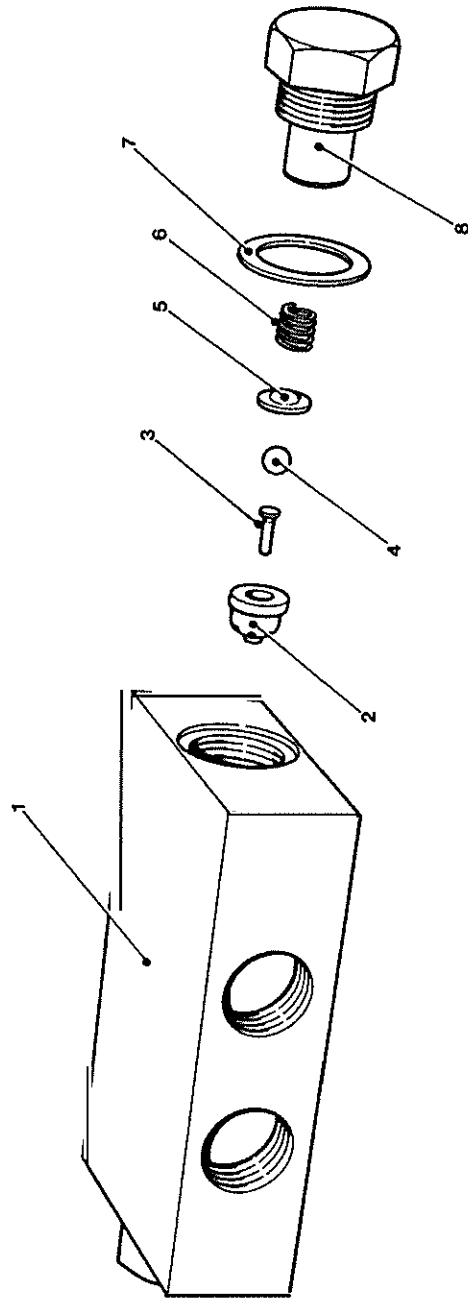
488

ARMY EQUIPMENT
SUPPORT PUBLICATIONS

2320-L-701-711

FIG ITEM	MAN CODE NAVY - N ARMY - A RAF - R	NATO STOCK NUMBER	ITEM NAME AND DESCRIPTION	PART NO./ DRAWING NO.	NO. OFF	ANNOTATIONS
Fig 6			CRANE - contd			
1-9	A	8REAT	2590-99-833-1534	.VALVE, BRAKE, LOWERING	811681	2
1	A	8REAT	2590-99-838-3477	..HOSUING	811749	2
2	A	8REAT	5310-99-139-3626	..NUT	494642	2
3	A	G1	5310-99-135-0766	..NUT, PLAIN, HEXAGON, ISO, metric, steel, cadmium plated, 4 mm		2
4	A	8REAT	2590-99-833-1535	..SUPPORT, SPRING	811738	2
5	A	8REAT	5360-99-833-1536	..SPRING, HELICAL, COMPRESSION	811727	2
6	A	8REAT	5365-99-826-7013	..RING, RETAINING, 4 mm nom dia	494619	2
7	A	8REAT	2590-99-833-1537	..BUSH, flanged	811716	2
8	A	8REAT	2590-99-833-1538	..PISTON, VALVE	811705	2
9	A	8REAT	2590-99-833-1539	..BUSH, SLEEVE	811692	2

174



8LH

C46/8

Chap 2-13

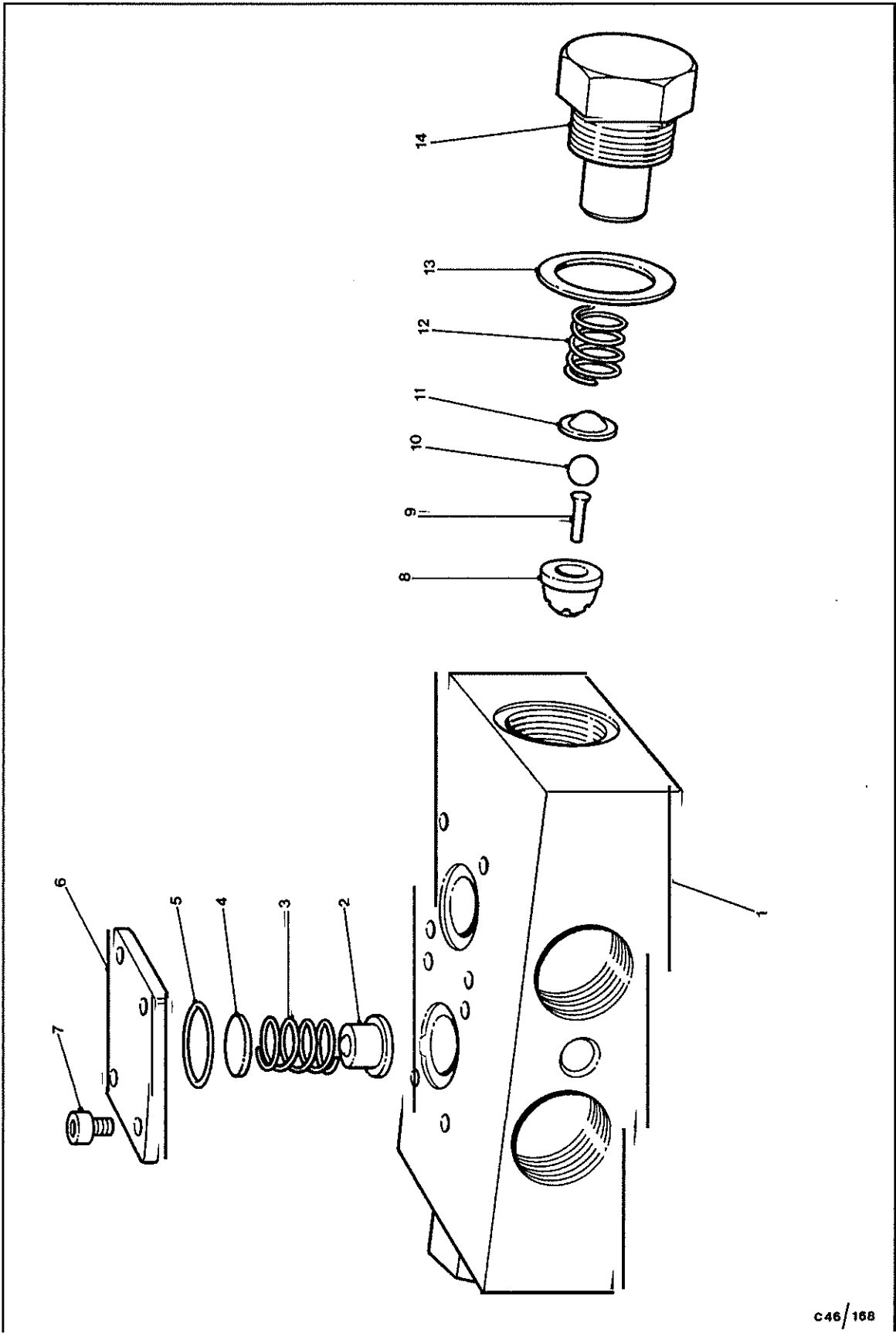
Fig 7 Double non-r turn valve

490

FIG ITEM	MAN CODE NAVY - N ARMY - A RAF - R	NATO STOCK NUMBER	ITEM NAME AND DESCRIPTION	PART NO./ DRAWING NO.	NO. OFF	ANNOTATIONS
Fig 7						
1-8	A	8REAT 2590-99-839-0447	CRANE - contd ..VALVE, DOUBLE NON-RETURN: centre column	861727	2	
4	A	8REAT 3110-99-839-0448	..BALL, BEARING	422931	8	
6	A	8REAT 5310-99-977-9038	..SPRING, HELICAL	862604	8	
7	A	G1 5330-12-156-4529	..GASKET, copper, 22 mm id x 27 mm od x 1.5 mm thk		8	
8	A	8REAT 2590-99-839-0449	..PLUG, VALVE	862591	8	

473

4174



C46/168

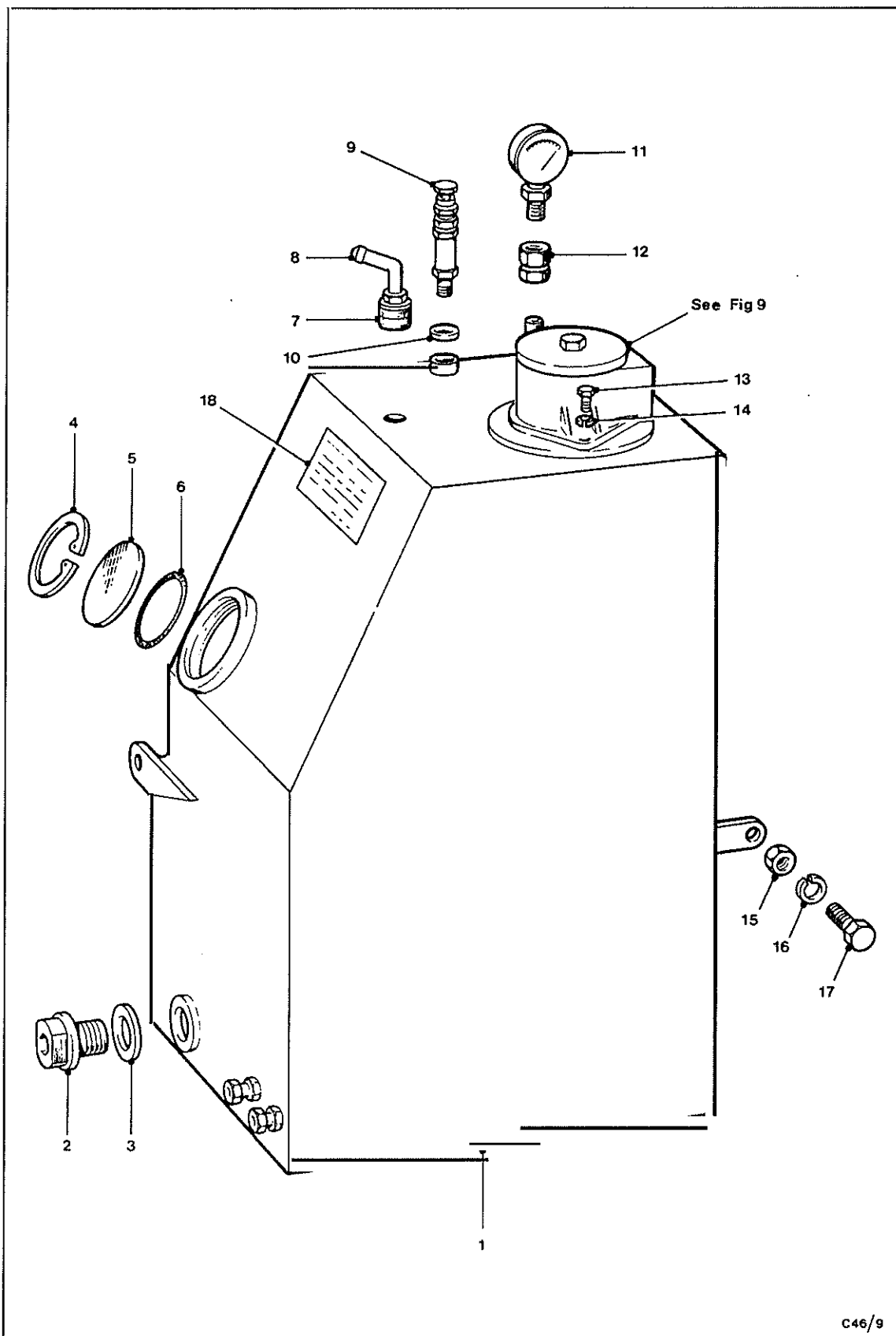
Fig7A Doubl non-r turn valv

492

FIG ITEM	MAN CODE NAVY - N ARMY - A RAF - R	NATO STOCK NUMBER	ITEM NAME AND DESCRIPTION	PART NO./ DRAWING NO.	NO. OFF	ANNOTATIONS
Fig 7A						
1-14	A	8REAT	4820-99-720-9582	CRANE - contd ..VALVE, CHECK-RELEASE, 4 port thd 1/2 in. BSP and 1 port thd 3/8 in. BSP, 141 mm o/a lg x 60 mm w x 38.50 mm o/a h		
2	A	8REAT	2590-99-793-0640	..SEAT, SPRING, control valve assy	1355124	1
3	A	8REAT	5360-99-826-5973	..SPRING, COMPRESSION, CONE VALVE	0866700	2
4	A	8REAT	5310-99-725-7569	..WASHER	0486211	2
NI	A	8REAT	5310-99-725-7570	..WASHER	1355157	1
NI	A	8REAT	5310-99-725-7567	..WASHER	1355168	1
NI	A	8REAT	5310-99-725-7571	..WASHER	1355179	1
5	A	8REAT	5330-99-720-9584	..RING, SEALING, TOROIDAL, synthetic rubber, 14 mm id x 1.78 mm cross-sect h	1355180	1
7	A	8REAT	5310-99-725-7568	..SCREW, ALLEN	1355146 0819667	2 8
8	A	8REAT	2590-99-838-6190	..SEAT, VALVE, hydraulic system	1302052	2
9	A	8REAT	2590-99-838-6191	..STEM, NON RETURN VALVE, hydraulic system	1302063	2
10	A	8REAT	3110-99-827-7915	..BALL, STEEL	0304278	2
11	A	8REAT	2590-99-838-6192	..DISC, SPRING, VALVE, hydraulic system	1302074	2
12	A	8REAT	5360-99-838-6193	..SPRING, HELICAL, COMPRESSION, hydraulic system	0862604	2
13	A	G1	5330-12-156-4529	..GASKET, copper, rd, 22 mm id x 27 mm od x 15 mm thk		2

475

475



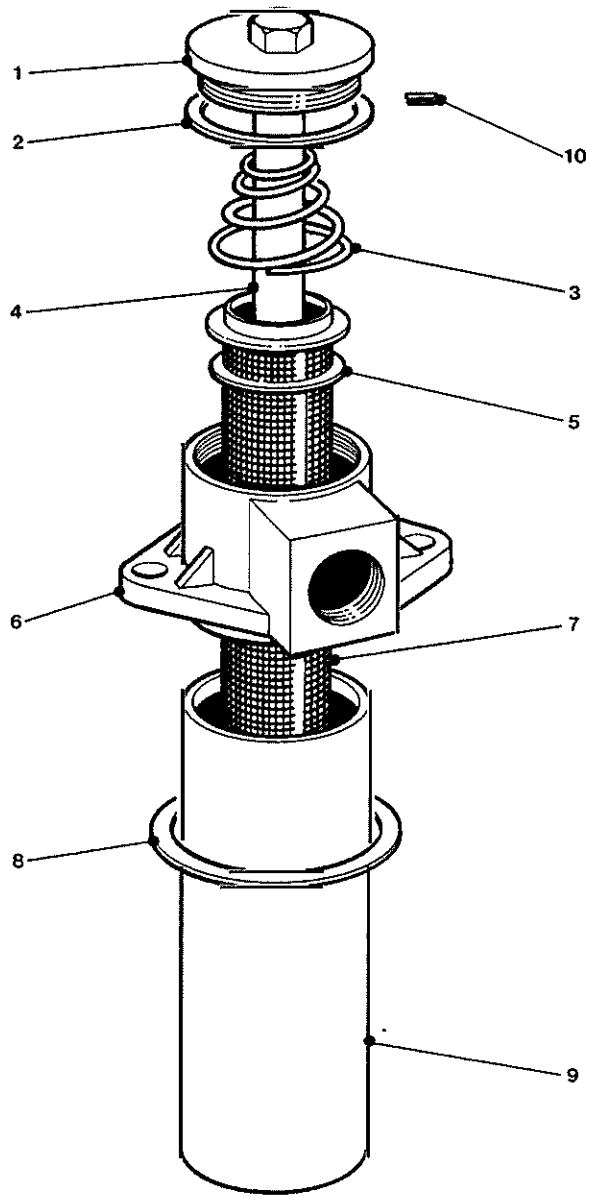
476

Fig8 Oil tank

474

FIG ITEM	MAN CODE NAVY - N ARMY - A RAF - R	NATO STOCK NUMBER	ITEM NAME AND DESCRIPTION	PART NO./ DRAWING NO.	NO. OFF	ANNOTATIONS
Fig 8						
NI		NP	CRANE - contd			
1-6		NP	..OIL TANK, major assy	711931	1	
2	A	8REAT 5365-99-825-2007	..OIL TANK, minor assy	537906	1	
3	A	8REAT 5330-99-130-3087	...PLUG, RECESSED, steel, phosphated, hex drive, 1-1/4 in. Whit x 22 mm o/a lg	313871	1	
4	A	6MT1 5365-99-823-7180	...GASKET, copper, 42 mm id x 49 mm od x 2 mm thk	306383	2	
5	A	8REAT 2590-99-823-6512	...RING, RETAINING, steel, phosphated, 70 mm od x 2.5 mm thk	300116	1	
6	A	8REAT 5330-99-823-8268	...SIGHT GLASS, plastic, clear, 70 mm od x 4 mm thk	302301	1	
7	A	8REAT 2590-99-825-2009	...RING, SEALING, TOROIDAL	351297	1	
8	A	8REAT 2590-99-825-2010	..GROMMET, rubber, 8 mm id x 30 mm od x 2 mm thk	385844	2	
9	A	8REAT 4820-99-825-2011	..ELBOW, air valve, 32 mm x 50 mm lg	302334	1	
10	A	G1 5330-12-156-4522	..VALVE, RELIEF	302389	1	
11	A	8REAT 2590-99-825-2013	..GASKET, copper, 14.20 mm id x 17.90 mm od x 1.7 mm thk		1	
12	A	8REAT 4730-99-825-2014	..GAUGE, PRESSURE	302367	1	
13	A	G1 5305-99-122-8579	..ADAPTOR: pressure gauge	302378	1	
14	A	G1 5310-99-135-9293	..SCREW, MACHINE, ISO, metric, steel, hex hd, 6 mm - 1 mm x 16 mm lg		2	
15	A	G1 5310-99-122-5297	..WASHER, LOCK, steel, 8 mm		2	
16	A	G1 5310-99-135-9303	..NUT, PLAIN, HEXAGON, ISO, metric, steel, zinc coated, 10 mm - 1.5 mm		3	
17	A	G1 5305-99-122-4910	..WASHER, LOCK, steel, cadmium plated, 10 mm		3	
			..SCREW, MACHINE, ISO, metric, steel, hex hd, zinc coated, 10 mm - 1.50 mm x 25 mm lg		3	

477

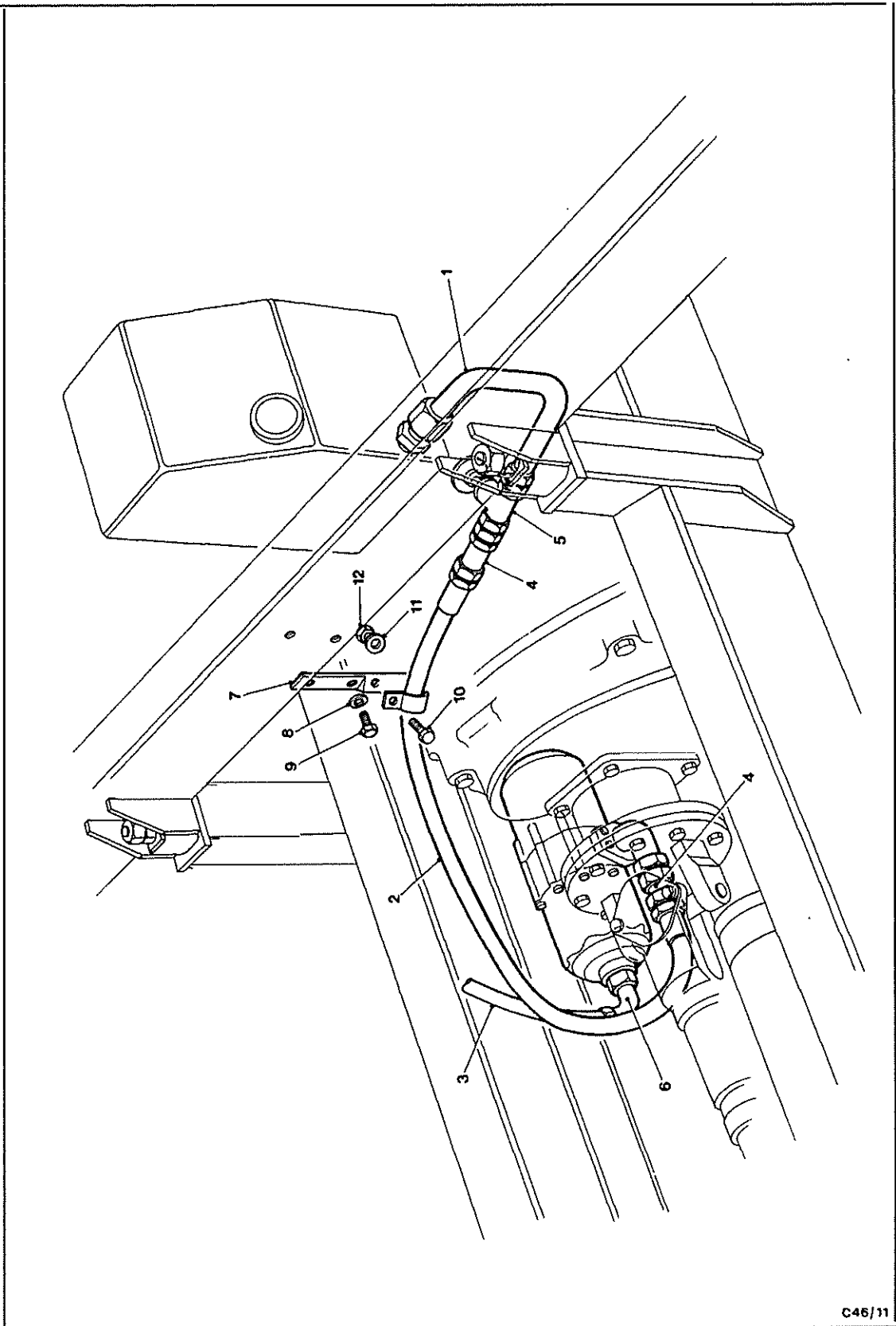


478

496

FIG ITEM	MAN CODE NAVY - N ARMY - A RAF - R	NATO STOCK NUMBER	ITEM NAME AND DESCRIPTION	PART NO./ DRAWING NO.	NO. OFF	ANNOTATIONS
Fig 9						
1-10		NP	CRANE - contd			
1	A	8REAT 2590-99-825-2016	.OIL TANK, major assy - contd	484877	1	
2	A	8REAT 2590-99-833-1357	..OIL FILTER, assy	315657	1	
3	A	8REAT 5360-99-825-2018	...CAP: housing	811885	1	
4	A	8REAT 2590-99-825-2019	...GASKET: cap	315680	1	
5	A	8REAT 5330-99-825-2020	...SPRING	315679	1	
6	A	8REAT 2590-99-837-6788	...ROD, MAGNETIC	315704	1	
7	A	8REAT 2590-99-833-1358	...GASKET	412133	1	
8	A	8REAT 5330-99-825-2022	...HOUSING: filter	484902	1	
10	A	G1 5315-99-629-0510	...FILTER ELEMENT, FLUID PRESSURE	331533	1	
			...GASKET: filter tube			
			...PIN, SPRING, steel, 3 mm dia, 33 mm lg		1	

679



480

Chap 2-13

Fig 10 Hydraulic hoses (tank to pump)

C46/11

679

ARMY EQUIPMENT
SUPPORT PUBLICATIONS

2320-L-701-711

FIG ITEM	MAN CODE NAVY - N ARMY - A RAF - R	NATO STOCK NUMBER	ITEM NAME AND DESCRIPTION	PART NO./ DRAWING NO.	NO. OFF	ANNOTATIONS
Fig 10			CRANE - contd			
1	A	7BD	2590-99-752-2725	91087911	1	
2	A	7BD	2590-99-752-2642			
3	A	7BD	2590-99-752-2644	91068912	1	
4	A	7BD	2590-99-752-2641	91068915	1	
5	A	8REAT	2590-99-825-2031	91068911	2	
NI	A	8REAT	2590-99-825-2039	91068910	1	
NI	A	G1	5330-99-124-4380	91068907	2	
6	A	7EDT	2540-99-834-1389		2	
7	A	7BD	5340-99-752-2724	NR112-2	1	
8	A	G1	5310-99-135-9293	91087910	1	
9	A	G1	5305-99-122-3350		2	
10	A	7BD	2590-99-750-5136		2	
11	A	G1	5310-99-135-9303	11076371	1	
12	A	G1	5310-99-122-5297		1	

184

1299

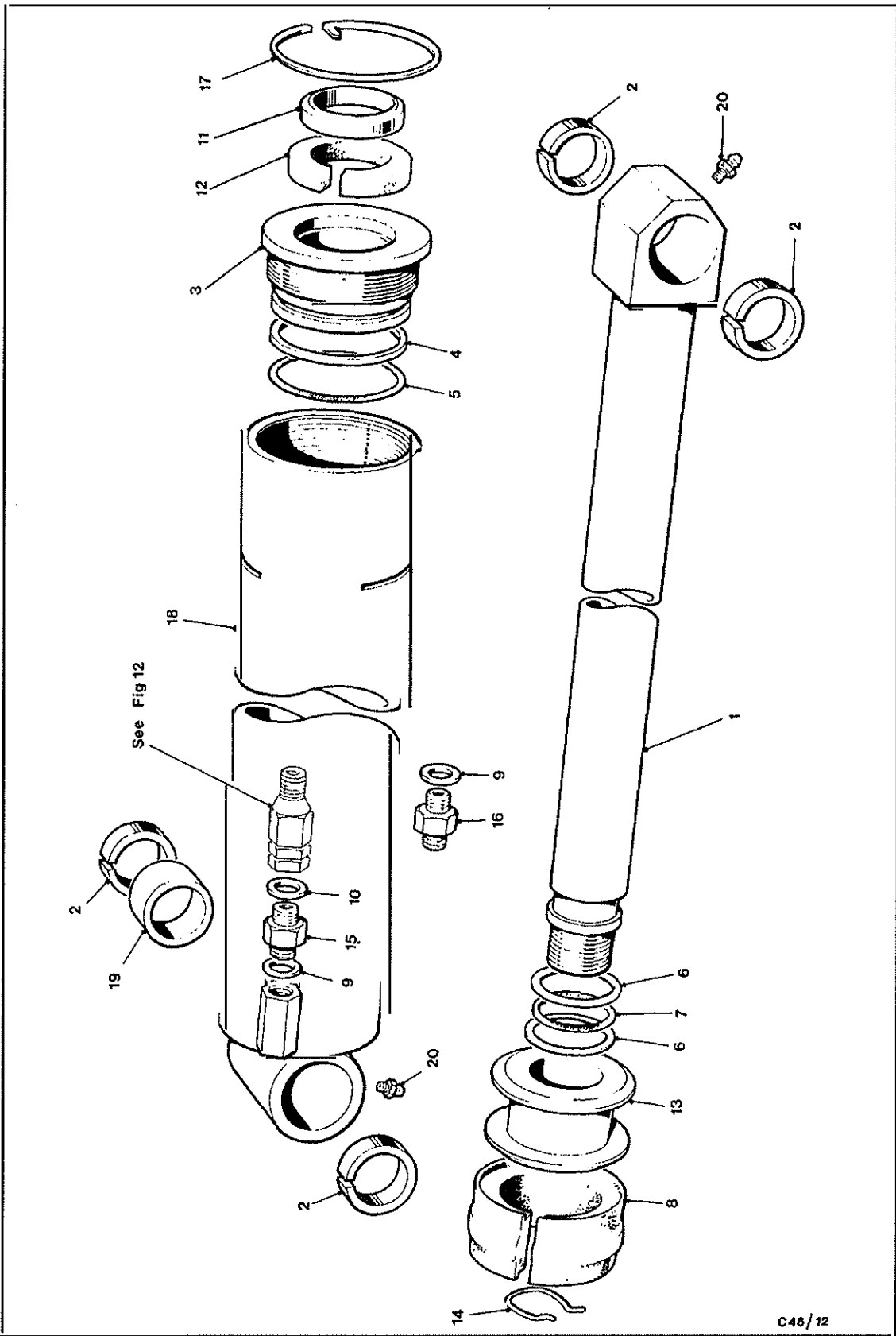


Fig 11 Jib ram cylind r

462

FIG ITEM	MAN CODE NAVY - N ARMY - A RAF - R	NATO STOCK NUMBER	ITEM NAME AND DESCRIPTION	PART NO./ DRAWING NO.	NO. OFF	ANNOTATIONS
Fig 11						
1-20	A	8REAT	4320-99-752-0242	CRANE - contd		
2	A	8REAT	2590-99-824-9561	.CYLINDER, RAM, JIB	720829	1
3-5	A	8REAT	2590-99-750-0013	..BUSH, split	302129	4
14	A	8REAT	5365-99-751-4479	..NUT, CYLINDER	000157	1
15	A	8REAT	5365-99-751-4479	..RING, RETAINING	480464	1
16	A	8REAT	2590-99-824-1050	..ADAPTOR, PIPE	222757	1
17	A	8REAT	2590-99-833-1397	..COUPLING	425401	1
19	A	8REAT	5365-99-825-7208	..RING, LOCKING	418991	1
20	A	8REAT	5365-99-750-6533	..SPACER, SLEEVE	142454	1
NI	A	8REAT	4730-99-811-5976	..LUBRICATING NIPPLE	300569	2
	A	8REAT	2590-99-751-8270	.PARTS KIT, JIB RAM CYLINDER	612453	1

463

1784

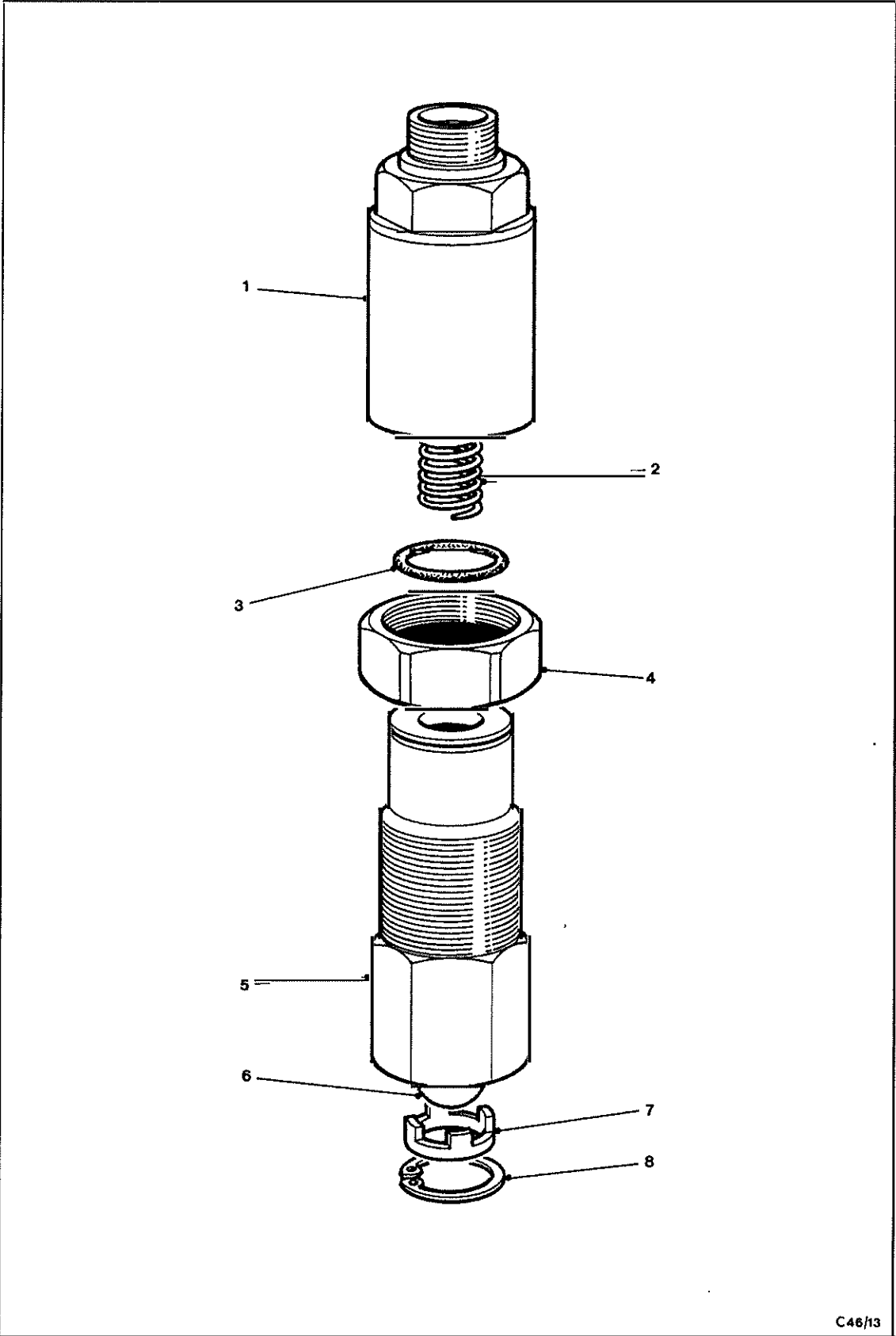
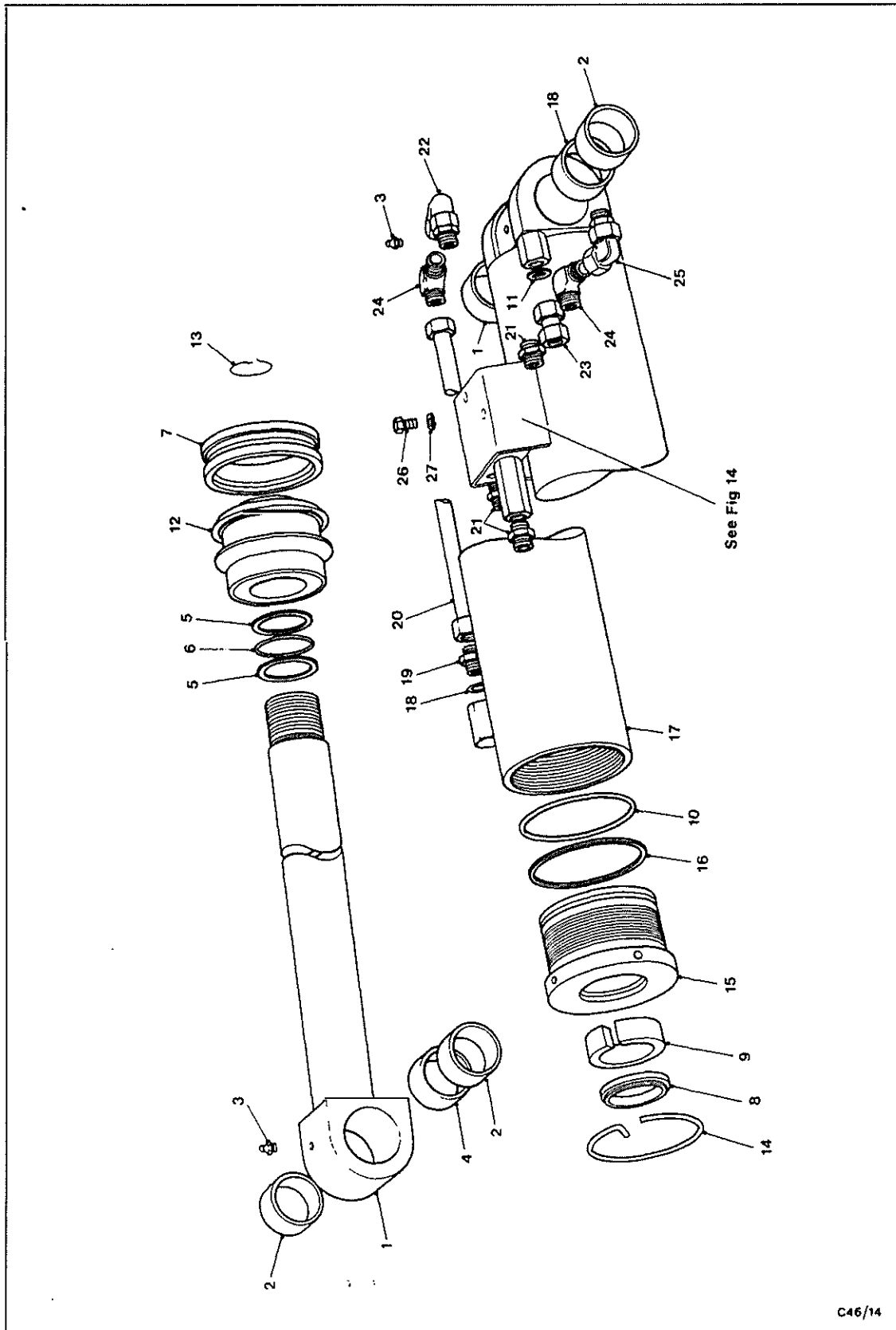


Fig12 Em rgency saf ty valv

FIG ITEM	MAN CODE NAVY - N ARMY - A RAF - R	NATO STOCK NUMBER	ITEM NAME AND DESCRIPTION	PART NO./ DRAWING NO.	NO. OFF	ANNOTATIONS
Fig 12						
1-8	A	8REAT	2590-99-751-8230	CRANE - contd .CYLINDER, RAM, JIB - contd ..VALVE, SAFETY, emergency, 26 mm x 1.50 male thd 1st end, 26 mm x 1.50 female thd 2nd end, 131 mm o/a lg		
2	A	8REAT	5360-99-751-0649	...SPRING, HELICAL, COMPRESSION	611145	1
3	A	8REAT	5330-99-743-0970	...RING, SEALING, TOROIDAL	306576	1
4	A	8REAT	5310-99-743-0973	...NUT, LOCKING	330021	1
6	A	8REAT	3110-99-743-0972	...BALL, BEARING, carbon chrome, grade 100, 19.05 mm dia	184396	1
7	A	8REAT	5365-99-743-0974	...SPACER	306565	1
8	A	8REAT	5365-99-751-1678	...RING, RETAINING	184385	1
1-8	A	8REAT	4820-99-832-2315	..VALVE SAFETY, emergency	608537	1)
2	A	8REAT	5360-99-832-2316	...SPRING, COMPRESSION	305893	1)
3	A	8REAT	5330-99-832-2317	...RING, SEALING	329959	1)
4	A	8REAT	5310-99-139-5268	...NUT, HEXAGON, 27 mm x 2 mm pitch	159339	1)
6	A	8REAT	3110-99-832-2319	...BALL, 15 mm dia	307282	1)
7	A	8REAT	5365-99-832-2320	...SPACER, 20 mm x 10 mm	159328	1)
8	A	6MT1	5365-99-101-2615	...RING, RETAINING, steel, int, 18 mm bore, phosphated	384081	1)
						Cts 18 & 19

485



Chap 2-13

Fig 13 Main lifting ram cylinder

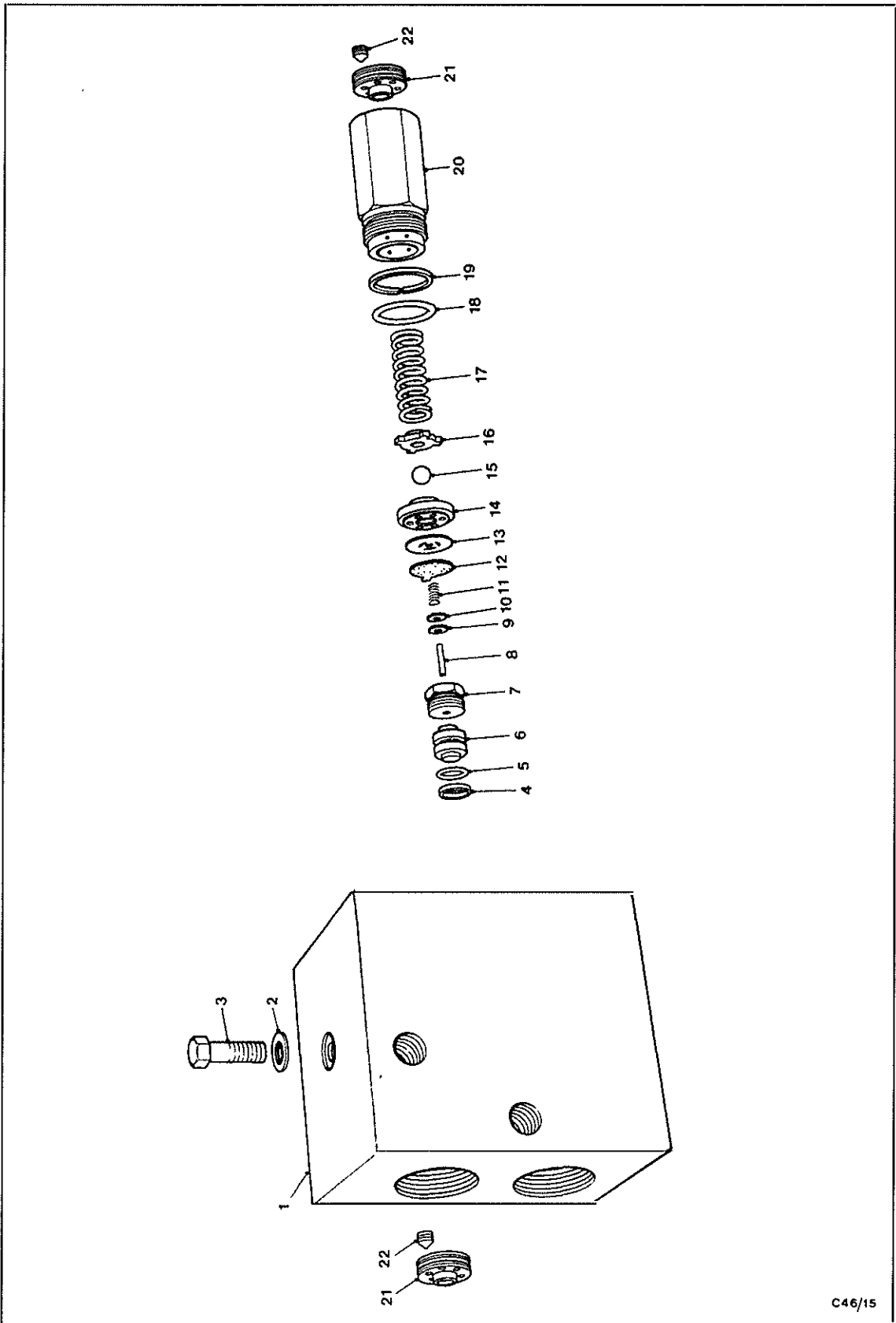
C46/14

504

486

FIG ITEM	MAN CODE NAVY - N ARMY - A RAF - R	NATO STOCK NUMBER	ITEM NAME AND DESCRIPTION	PART NO./ DRAWING NO.	NO. OFF	ANNOTATIONS
Fig 13						
1-28	A	8REAT	4320-99-752-0435	CRANE - contd		
2	A	8REAT	3120-99-812-4581	..CYLINDER, RAM, MAIN LIFTING	739706	1
3	A	8REAT	4730-99-811-5976	..BUSHING, SLEEVE, 60 mm id x 68 mm od x 45 mm lg	202117	4
4	A	8REAT	5365-99-825-8435	..LUBRICATING NIPPLE	300569	2
13	A	8REAT	5365-99-824-0810	..SPACER, SLEEVE, steel, 62 mm id x 67 mm od x 68 mm od flange x 20 mm o/a lg	202106	1
14	A	8REAT	5365-99-825-8440	..RING, RETAINING, 68.5 mm dia x 3 mm w	360696	1
15	A	8REAT	4320-99-837-4960	..RING, RETAINING, steel, 144 mm id x 3.2 mm wire dia	418980	1
16	A	8REAT	5330-99-751-4192	..NUT, CYLINDER	099621	1
18	A	8REAT	5365-99-825-8436	..RING, BACK-UP	458035	1
19	A	8REAT	2590-99-833-1397	..SPACER, SLEEVE, steel, 62 mm id x 67 mm od x 68 mm od flange x 90 mm o/a lg	202093	1
20	A	8REAT	4710-99-751-9308	..COUPLING	425401	1
21	A	8REAT	4730-99-826-7049	..PIPE, OIL	683776	1
22	A	8REAT	4730-99-826-7049	..DOUBLE-ENDED UNION, HOSE, MALE, steel, 18 mm tube dia x 1/2 in. BSP thds	427925	3
23	A	8REAT	4730-99-751-3707	..ELBOW, PIPE	426797	1
24	A	8REAT	4710-99-751-9200	..PIPE, OIL	679281	1
25	A	8REAT	4730-12-145-1596	..ELBOW, TUBE	426786	2
26	A	8REAT	4730-99-752-1799	..ELBOW, PIPE	859018	1
27	A	G1	5305-99-122-8584	..SCREW, MACHINE, 8 mm - 1.25 mm x 16 mm lg		2
NI	A	8REAT	5310-99-135-9293	..WASHER, LOCK, steel, 8 mm		2
	A	8REAT	2590-99-752-4210	..PLATE, LOCKING	958143	1
5-11	A	8REAT	4320-99-837-4961	..PARTS KIT, MAIN LIFTING RAM; c/w 7 seals	627507	1

LSH



Chop 2-13

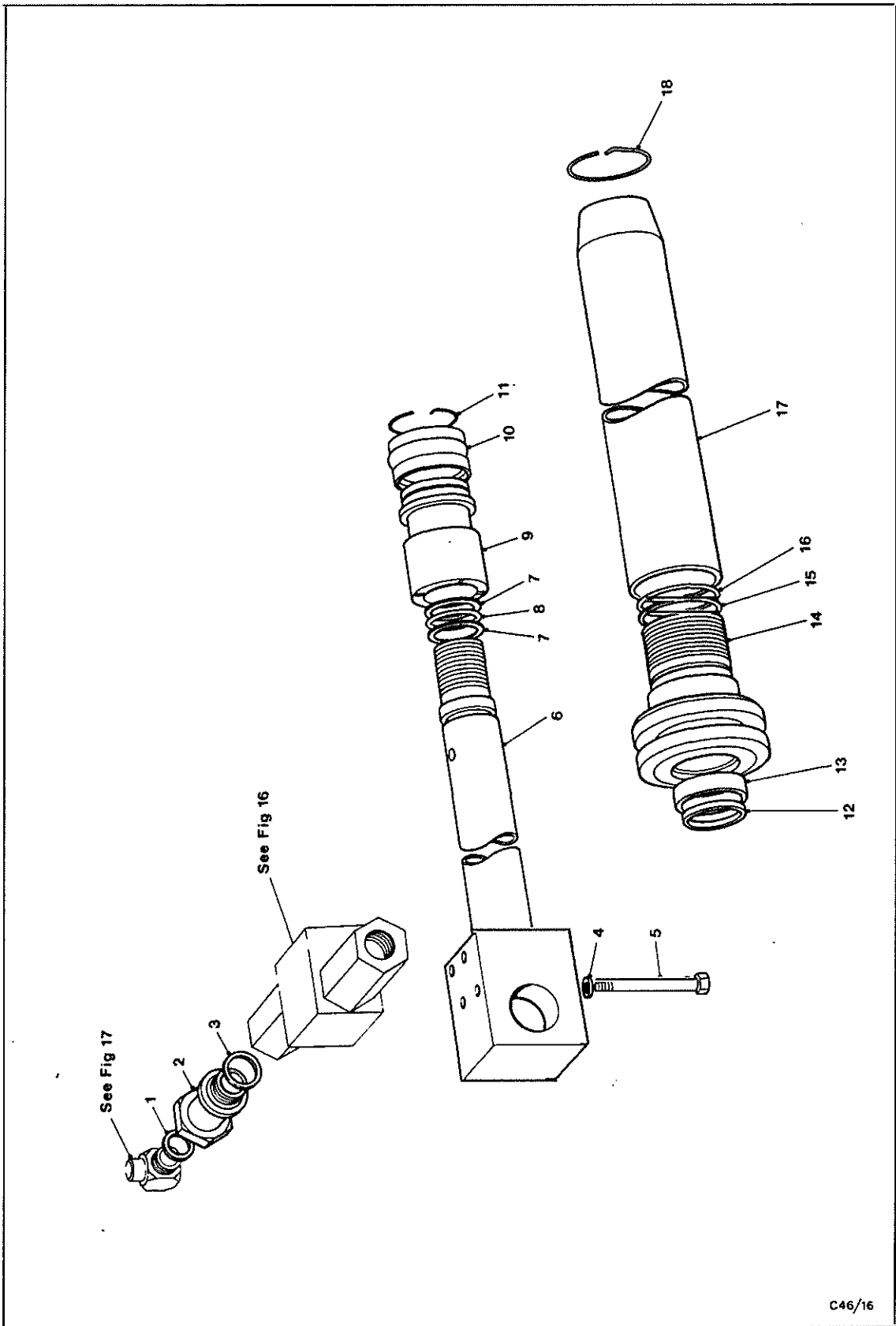
Fig 14 Load holding valve

C46/15

488

FIG ITEM	MAN CODE NAVY - N ARMY - A RAF - R	NATO STOCK NUMBER	ITEM NAME AND DESCRIPTION	PART NO./ DRAWING NO.	NO. OFF	ANNOTATIONS
Fig 14						
1-22	A 8REAT	4810-99-838-3479	CRANE - contd .VALVE, LOAD HOLDING, pressure setting 170	861716	1	u/w Main lifting ram
3	G1	5305-99-135-1283	..SCREW, SOCKET HEAD, ISO metric, steel, flat fillister or knurled hd, 4 mm - 0.70 mm x 6 mm lg		1	
4-22		NP	..INSERT, assy	819543	1	
6	A 8REAT	2590-99-826-6045	...PISTON	486380	1	
7	A 8REAT	2590-99-826-6046	...GUIDE: piston	486391	1	
8	A 8REAT	2590-99-838-3478	...PLUNGER: operating	819634	1	
10	A 8REAT	5365-99-826-6049	...RING	486426	1	
11	A 8REAT	5360-99-826-6050	...SPRING, HELICAL, COMPRESSION	486437	1	
12	A 8REAT	2590-99-826-5951	...FILTER: hydraulic fluid	486448	1	
15	A 6MT7	3110-99-827-7615	...BALL, BEARING, steel, 8 mm	314703	1	
16	A 8REAT	5365-99-826-6051	...DISC, interposing: ball to spring	486471	1	
17	A 8REAT	5360-99-826-6061	...SPRING, HELICAL, COMPRESSION	486631	1	
20	A 8REAT	2590-99-826-6056	...INSERT: spring housing	486493	1	
22	A G1	5305-99-139-0796	...SCREW, GRUB, ISO metric, steel, socket drive, cone point, oxidised, 5mm - 0.8 mm x 5 mm lg		1	
NI	A 8REAT	2590-99-837-6791	.REPAIR KIT, LOAD HOLDING VALVE; c/w Fig. items 2,4,5,9,18 & 19	811396	1	

H89



Chop 2-13

Fig 15 Jib xt nsi n ram cylind r

C46/16

490

508

FIG ITEM	MAN CODE NAVY - N ARMY - A RAF - R	NATO STOCK NUMBER	ITEM NAME AND DESCRIPTION	PART NO./ DRAWING NO.	NO. OFF	ANNOTATIONS
Fig 15						
6-18	A 8REAT	2590-99-839-3660	CRANE - contd .CYLINDER, RAM, JIB EXTENSION	736134	1	
11	A 8REAT	5365-99-832-7098	..RING, RETAINING	412735	1	
14	A 8REAT	2590-99-832-7099	..NUT, CYLINDER	053138	1	
18	A 8REAT	5365-99-826-6130	..RING, RETAINING	395404	1	
NI	A 8REAT	2590-99-833-1302	.PACKING SET, JIB EXTENSION RAM, c/w Fig.items 1,3,7,8,10,12,13, 15 & 16	620839	1	

104

492

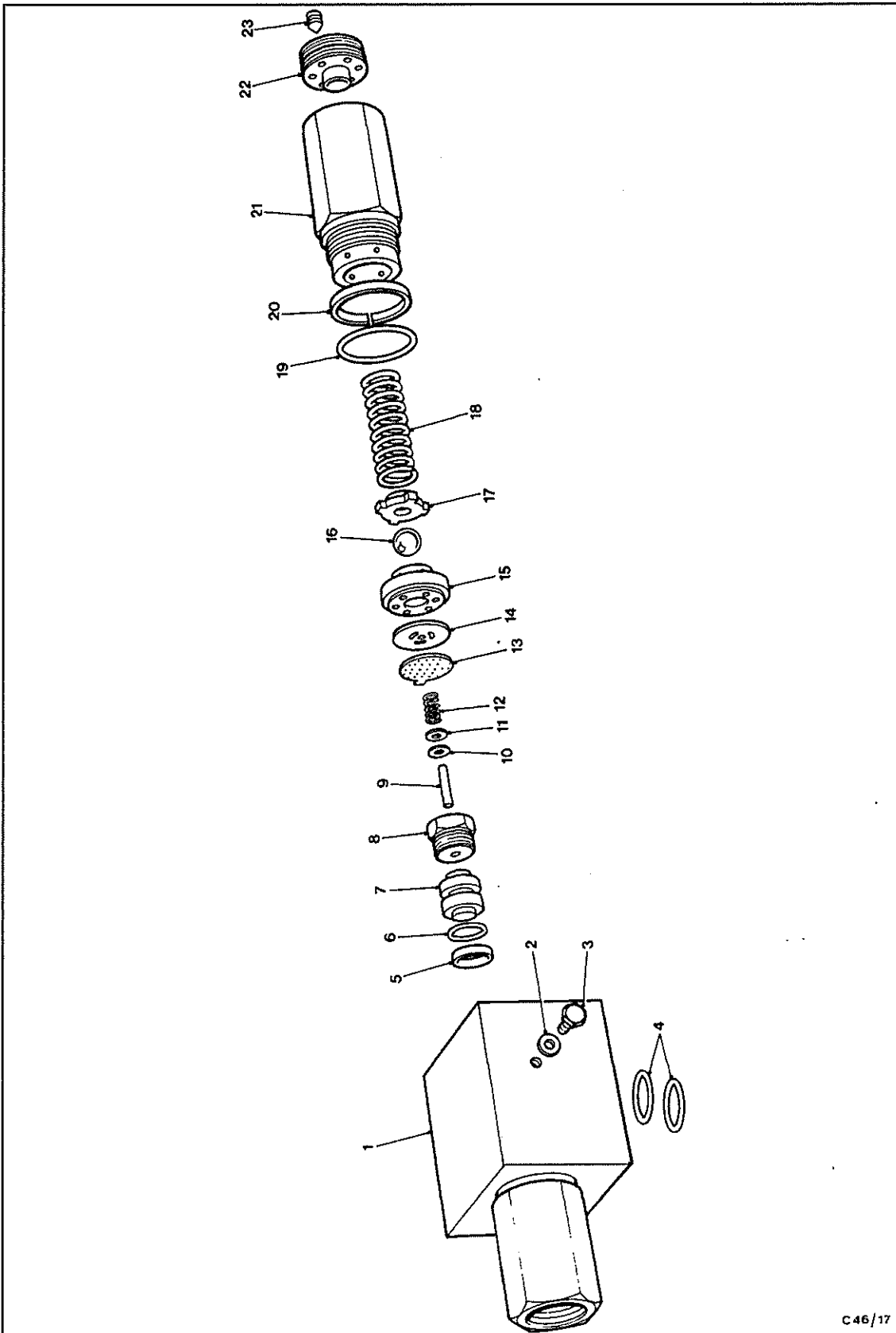


Fig 16 Load holding valve

FIG ITEM	MAN CODE NAVY - N ARMY - A RAF - R	NATO STOCK NUMBER	ITEM NAME AND DESCRIPTION	PART NO./ DRAWING NO.	NO. OFF	ANNOTATIONS	
Fig 16							
1-23	A	8REAT	4810-99-837-6790	CRANE -- contd ..VALVE, LOAD HOLDING	816824	1	u/w jib extension ram
2	A	8REAT	5310-99-826-5950	..WASHER, FLAT, copper, 4 mm id x 8 mm od x 1 mm thk	330338	1	
3	A	8REAT	5306-99-977-9039	..BOLT	346643	1	
5-23	A	8REAT	2590-99-826-5948	..INSERT, LOAD HOLDING VALVE, assy	486346	1	
7	A	8REAT	2590-99-826-6045	...PISTON	486380	1	
8	A	8REAT	2590-99-826-6046	...GUIDE	486391	1	
9	A	8REAT	2590-99-838-3478	...PLUGNER, operating	819634	1	
11	A	8REAT	5365-99-826-6049	...RING	486426	1	
12	A	8REAT	5360-99-826-6050	...SPRING, HELICAL, COMPRESSION	486437	1	
13	A	8REAT	2590-99-826-5951	...FILTER	486448	1	
14	A	8REAT	2590-99-826-5952	...VALVE, plate	486459	1	
15	A	8REAT	2590-99-826-5953	...SEAT, VALVE	486460	1	
16	A	8REAT	3110-99-826-5954	...BALL, BEARING	314703	1	
17	A	8REAT	5365-99-826-6051	...INTERPOSING DISC: ball to spring	486471	1	
18	A	8REAT	5360-99-826-6061	...SPRING, HELICAL, COMPRESSION	486631	1	
22	A	8REAT	2590-99-826-6056	...INSERT, SPRING HOUSING	486493	1	
23	A	G1	5305-99-826-6057	...SCREW, GRUB, ISO, metric, steel, socket drive, cone point, oxidised, 5 mm - 0.8 mm x 5 mm o/a lg		1	
NI	A	8REAT	2590-99-837-6791	..REPAIR KIT, LOAD HOLDING VALVE; c/w Fig. items 2,4,5,6,10 & 19	811396	1	
NI	A	G1	5310-99-135-9293	..WASHER, LOCK, steel, 8 mm		2)Load holding valve to telescopic cylinder
NI	A	G1	5306-99-122-5259	..BOLT, MACHINE, ISO, metric, steel, hex hd, zinc coated, 8mm - 1.25 mm x 70 mm lg		2	

604

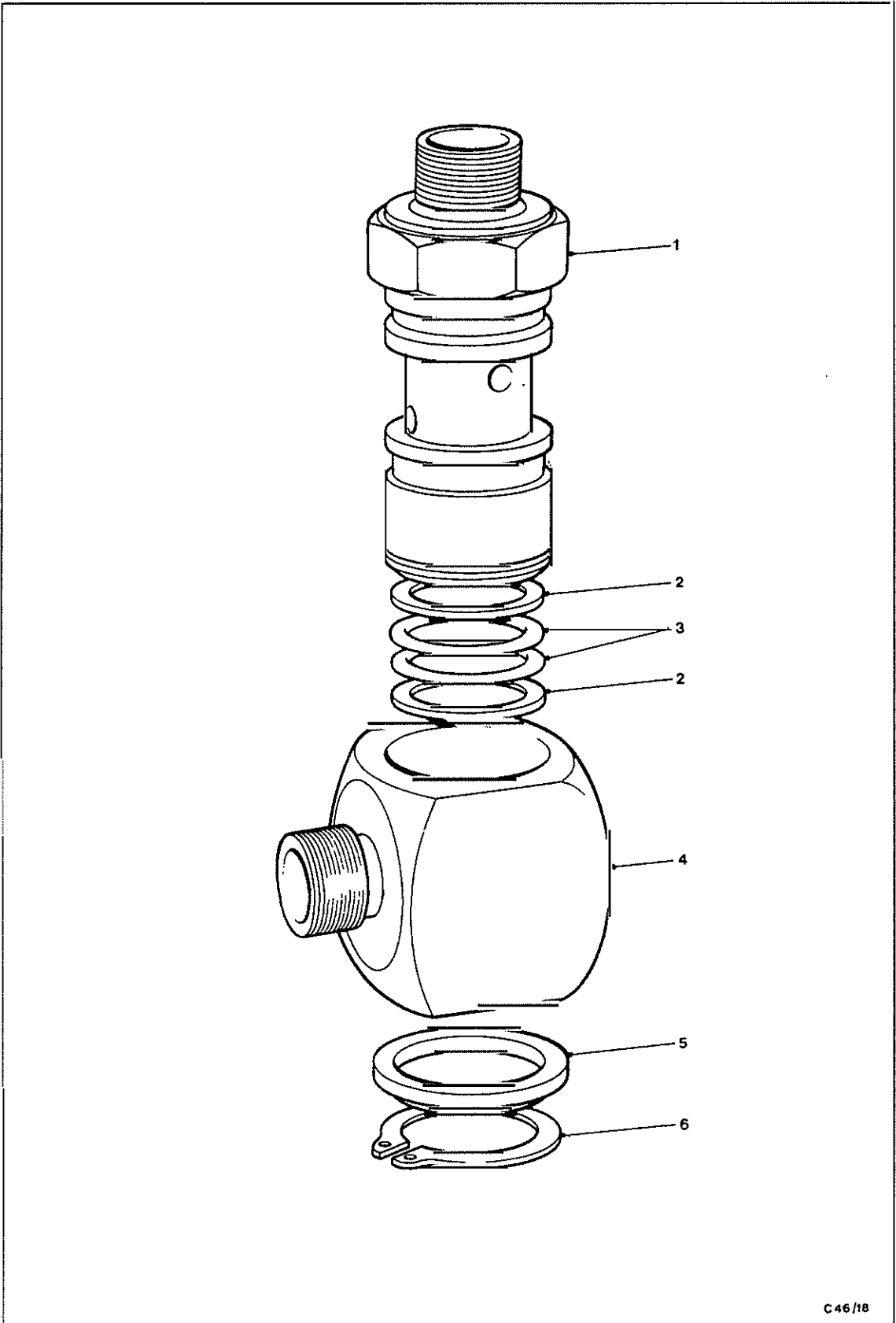


Fig 17 Rotary banjo swiv I joint

FIG ITEM	MAN CODE NAVY - N ARMY - A RAF - R	NATO STOCK NUMBER	ITEM NAME AND DESCRIPTION	PART NO./ DRAWING NO.	NO. OFF	ANNOTATIONS
Fig 17						
1-6	A	8REAT	4730-99-823-6082	CRANE - contd		
2	A	8REAT	5335-99-824-5391	.SWIVEL JOINT, ROTARY BANJO	301195	1
3	A	8REAT	5330-99-823-6504	..PACKING, PREFORMED	383751	2
				..RING, SEALING, TOROIDAL, 18 mm dia x 3 mm h	312825	2
5	A	8REAT	4730-99-823-7612	..WASHER, 24 mm id x 32 mm od x 3 mm thk	312858	1
6	A	8REAT	5365-99-823-7613	..RING, RETAINING	316727	1
NI	A	G1	5330-12-156-4526	.GASKET, copper, 18 mm id x 22 mm od		2
NI	A	8REAT	4730-99-837-6789	.ADAPTOR, EXTENSION	069794	2
NI	A	G1	5330-12-156-4530	.GASKET, copper, 22 mm id x 29 mm od, x 1.5 mm thk		2

594

2

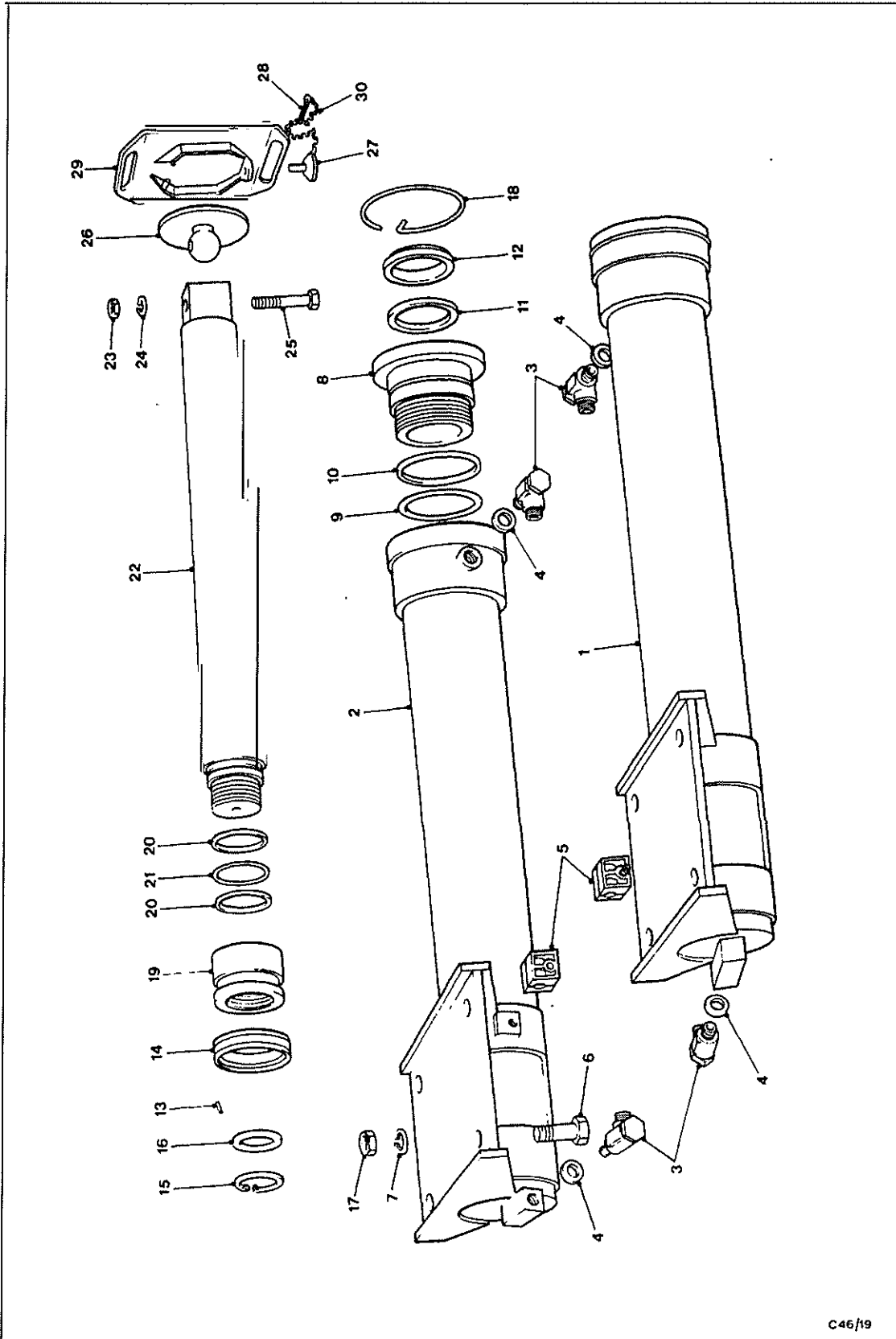


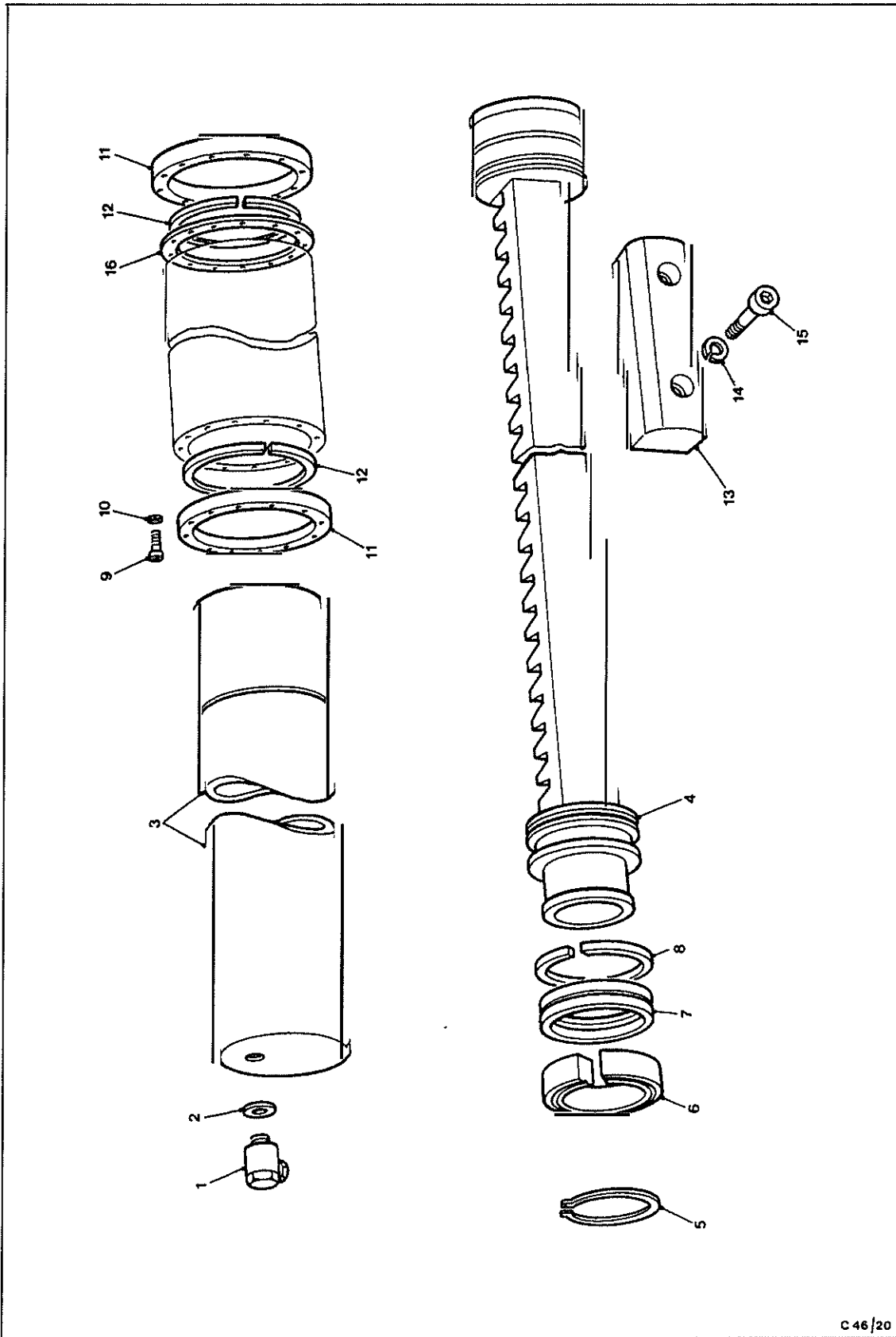
Fig 18 Stabilizer ram cylinders

1496

151

FIG ITEM	MAN CODE NAVY - N ARMY - A RAF - R	NATO STOCK NUMBER	ITEM NAME AND DESCRIPTION	PART NO./ DRAWING NO.	NO. OFF	ANNOTATIONS	
Fig 18							
NI	A	8REAT	2590-99-752-0417	CRANE - contd .CYLINDER, RAM, STABILIZER, assy, rh	734132	1)Crane }legs }
2-26	A	8REAT	2590-99-752-0416	.CYLINDER, RAM, STABILIZER, assy, lh	734121	1	
3	A	8REAT	2590-99-833-1500	.CYLINDERS -	426866	4	
4	A	G1	5330-12-156-4524	..COUPLING		4	
5	A	8REAT	2590-99-832-7412	..GASKET	308670	2	
6	A	G1	5305-99-122-8614	..CLIP, PIPE ..SCREW, MACHINE, metric, steel, hex hd, 20 mm - 2.50 mm x 45 mm lg		8	
7	A	G1	5310-99-135-9306	..WASHER, LOCK, steel, cadmium plated, 20 mm		8	
8-12	A	8REAT	2590-99-751-8968	..NUT, CYLINDER END	665058	2	
18	A	8REAT	5365-99-825-7208	..RING, LOCKING, steel, 119 mm id, 3.2 mm dia material, 1 prong 15 mm lg	418991	2	
19	A	8REAT	5365-99-751-4344	..RING, RETAINING, 56 mm dia	470848	2	
20	A	8REAT	5310-99-750-1343	..WASHER	067190	2	
21	A	8REAT	2590-99-750-1342	..GUIDE, PISTON	067156	2	
23	A	G1	5310-99-122-5297	..NUT, PLAIN, HEXAGON, ISO metric, steel, 10 mm - 1.5 mm		2	
24	A	G1	5310-99-135-9303	..WASHER, LOCK, steel, cadmium plated, 10 mm		2	
25	A	G1	5306-99-759-5037	..BOLT, MACHINE		2	
26	A	8REAT	2590-99-751-8967	..PLATE, SUPPORT	665047	2	
27	A	8REAT	5340-99-751-8970	.PIN, QUICK RELEASE	665081	1	
28	A	8REAT	5315-99-811-5977	.PIN, LOCK	300809	1	
29	A	8REAT	2590-99-751-8969	.PLATE, SUPPORT	665069	1	
30	A	8REAT	2590-99-751-4033	.CHAIN, LOCKING: safety bracket	446064	1	
9-16	A	8REAT	2590-99-751-8271	.PARTS KIT, PACKING SET: stabilizer ram cylinder	612464	2	
NI		NP		.BRACKET; c/w nut assy	91098900	1)Foot }spreader }plate
NI	A	7BD	5310-99-749-2009	.NUT, PLAIN, ROUND, steel, SI, metric, M14 x 35 mm od	91079251	2	
NI	A	7BD	2540-99-749-2004	.BOLT, MACHINE, SI, metric, steel, M14 x 54 mm lg	91079250	2	
NI	A	7BD	5340-99-749-2008	.CLIP, RETAINING: chain to stowage bracket bolt	91079288	2	
NI	A	7BD	2590-99-781-9828	.CHAIN ASSEMBLY, SINGLE LEG, 14 links, 300 mm lg; c/w S hooks	8829586	2	

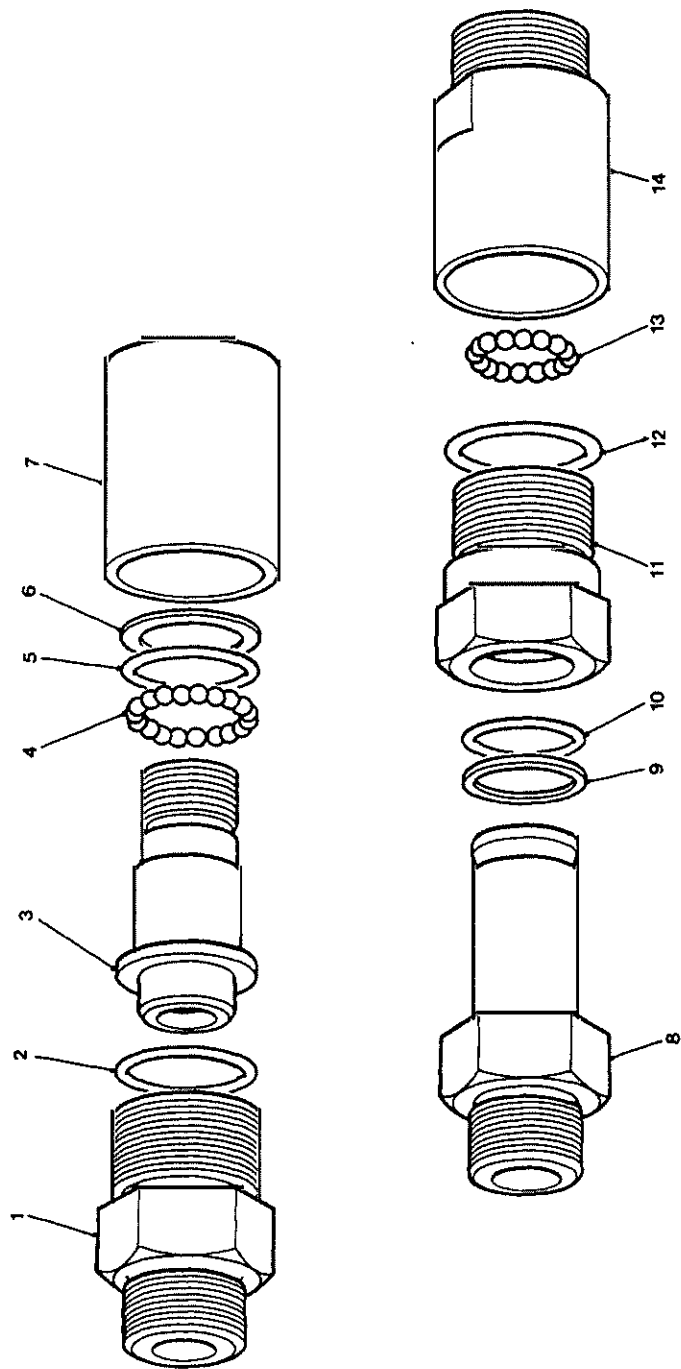
497



495

FIG ITEM	MAN CODE NAVY - N ARMY - A RAF - R	NATO STOCK NUMBER	ITEM NAME AND DESCRIPTION	PART NO./ DRAWING NO.	NO. OFF	ANNOTATIONS
Fig 19						
1-13	A	8REAT	4320-99-837-4954	CRANE - contd		
1	A	8REAT	4730-99-823-6084	.CYLINDER, RAM, SLEWING	708889	1
2	A	G1	5330-12-156-4524	..BANJO, assy	300343	2
4-8	A	8REAT	4320-99-837-4955	..GASKET	300172	2
5	A	8REAT	5340-99-812-6967	..PISTON ROD, assy	528961	1
9	A	G1	5305-99-122-5353	..RING, RETAINING	300774	2
				..SCREW, SOCKET HEAD, SI, metric, 12 mm - 1.75 mm x 40 mm lg		20
10	A	G1	5310-99-135-9294	..WASHER, LOCK, steel, 12 mm		20
11	A	8REAT	2590-99-833-1530	..RING, FLANGE	293989	2
12	A	8REAT	4320-99-824-5372	..RING, SPLIT	293990	2
13	A	8REAT	2590-99-833-1532	..GUIDE BLOCK	293978	1
14	A	G1	5310-99-135-4102	.WASHER, LOCK, steel, 16 mm		2
15	A	G1	5305-99-135-1296	.SCREW, SOCKET HEAD, SI, metric, steel, flat fillister or knurled hd, 16 mm - 2 mm x 40 mm lg		2
NI	A	8REAT	4730-99-811-5976	.LUBRICATING NIPPLE	300569	1
6-8	A	8REAT	2590-99-833-1533	.PACKING SET, SLEWING RAM; c/w wear ring	606637	1
NI	A	8REAT	4320-99-824-5374	..WEAR RING	002022	1

499



C46/21

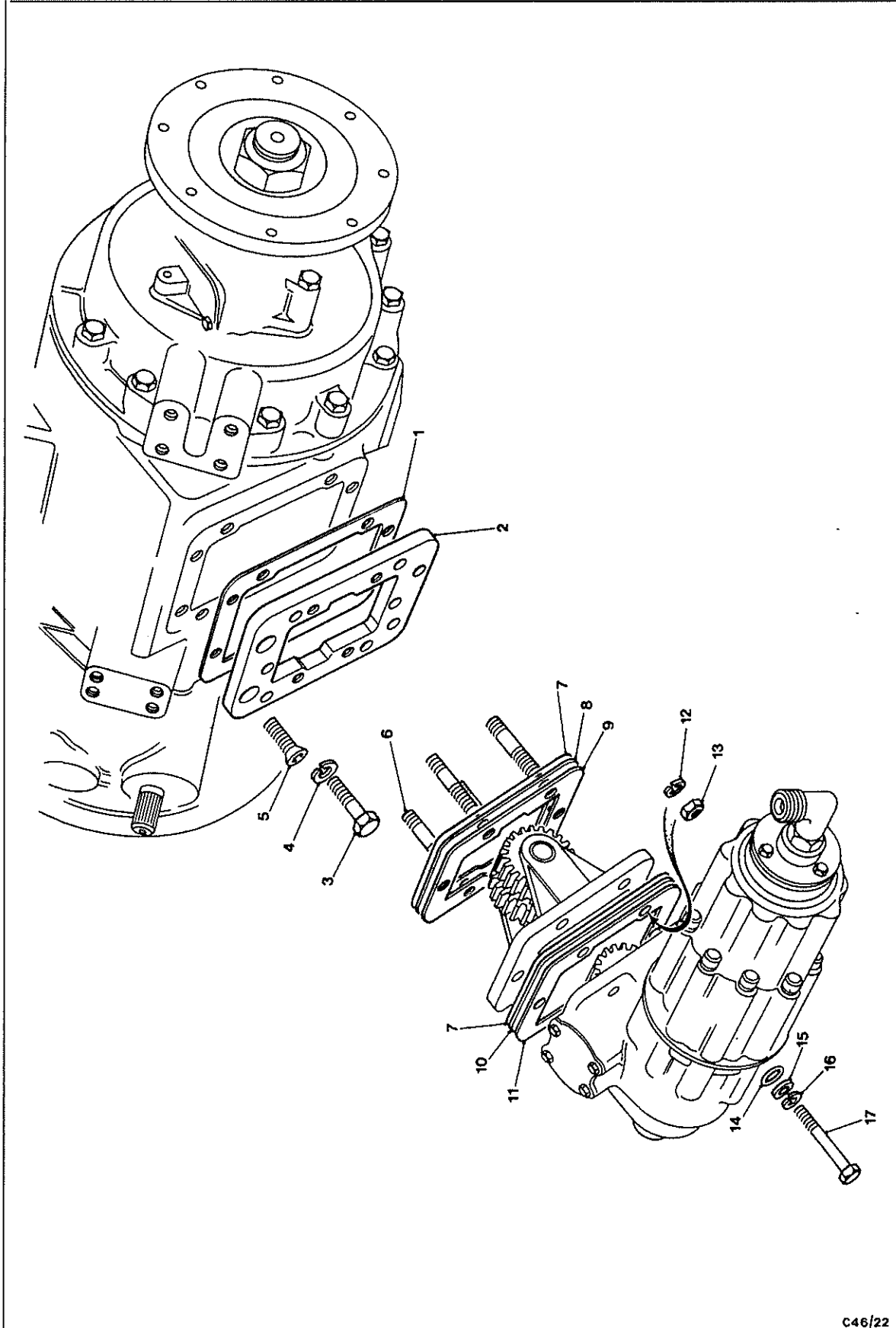
Chap 2-13

Fig 20 Si w swiv l couplings

FIG ITEM	MAN CODE NAVY - N ARMY - A RAF - R	NATO STOCK NUMBER	ITEM NAME AND DESCRIPTION	PART NO./ DRAWING NO.	NO. OFF	ANNOTATIONS
Fig 20						
1-7	A	8REAT	2590-99-833-1362	CRANE - contd .COUPLING, SWIVEL, SLEW	710270	1)
2	A	8REAT	5330-99-823-6092	..RING, SEALING, TOROIDAL, 23 mm id x 3 mm h	300525	1)
3	A	8REAT	2590-99-838-3474	..COUPLING, ROTARY	108883	1)
4	A	8REAT	3110-99-827-7915	..BALL, STEEL, 4 mm dia	304278	18)
5	A	8REAT	5330-99-824-0977	..RING, SEALING, TOROIDAL, 20.22 mm dia x 3.53 mm h	308749	1)
6	A	8REAT	2590-99-837-6792	..RING, SUPPORT, 20.05 mm id x 26.65 mm od x 1.6 mm thk	354927	1)
7	A	8REAT	2590-99-838-3475	..HOUSING, SWIVEL	108894	1)
NI	A	8REAT	4730-99-720-9574	..SWIVEL JOINT, PIPE, hex body, 22 mm x 1.50 male thd 1st end, 18 mm x 1.50 male thd 2nd end, 70.30 mm o/a lg	3006-54- 06/00	1)
NI	A	8REAT	4730-99-720-9575	..TUBE, COUPLING, steel, 10 mm id x 20 mm od; w/24.90 mm od flange and 18 mm x 1.50 male thd, 48 mm o/a lg	306-54- 05/03	1)
NI	A	8REAT	5330-99-720-9576	..RING, SEALING, TOROIDAL, rubber, 20.29 mm id x 2.62 mm cross-sect h	0486288	1)
NI	A	8REAT	5330-99-720-9577	..RING, SEALING, TOROIDAL, rubber, 22 mm id x 2 mm cross-sect h	0474535	1)
NI	A	8REAT	5330-99-720-9578	..SEAL KIT, SWIVEL JOINT: comprises 4 items	1587759	1)
8-14	A	8REAT	2590-99-833-1363	..COUPLING, SWIVEL, SLEW	715673	1)
9	A	8REAT	2590-99-837-6792	..RING, SUPPORT, 20.05 mm id x 26.65 mm od x 1.6 mm thk	354927	1)
10	A	8REAT	5330-99-824-0977	..RING, SEALING, TOROIDAL, 20.22 mm x 3.53 mm h	308749	1)
11	A	8REAT	2590-99-750-6734	..CONNECTING PIECE	150363	1)
12	A	8REAT	5330-99-823-6092	..RING, SEALING, TOROIDAL, 23 mm id x 3 mm h	300525	1)
13	A	8REAT	3110-99-827-7915	..BALL, STEEL, 4 mm dia	304278	14)
14	A	8REAT	2590-99-845-5653	..COUPLING, ROTARY	150341	1)
NI	A	8REAT	4730-99-720-9579	..SWIVEL JOINT, PIPE, rd 22 mm x 1.50 male thd 1st end, 26 mm x 1.50 male thd 2nd end, 97.50 mm o/a lg	5007-54- 25/00	1)
NI	A	8REAT	4730-99-720-9580	..TUBE, COUPLING, steel, 16 mm id x 27 mm od, 30.90 mm od flange and 26 mm x 1.50 male thd, 48 mm o/a lg	5007-54- 25/03	1)
NI	A	8REAT	5330-99-720-9577	..RING, SEALING, TOROIDAL, rubber, 22 mm id x 2 mm cross-sect h	0474535	1)
NI	A	8REAT	5330-99-720-9581	..RING, SEALING, TOROIDAL, rubber, 28.17 mm id x 3.53 mm cross- sect h	1345484	1)

501

50a



c46/22

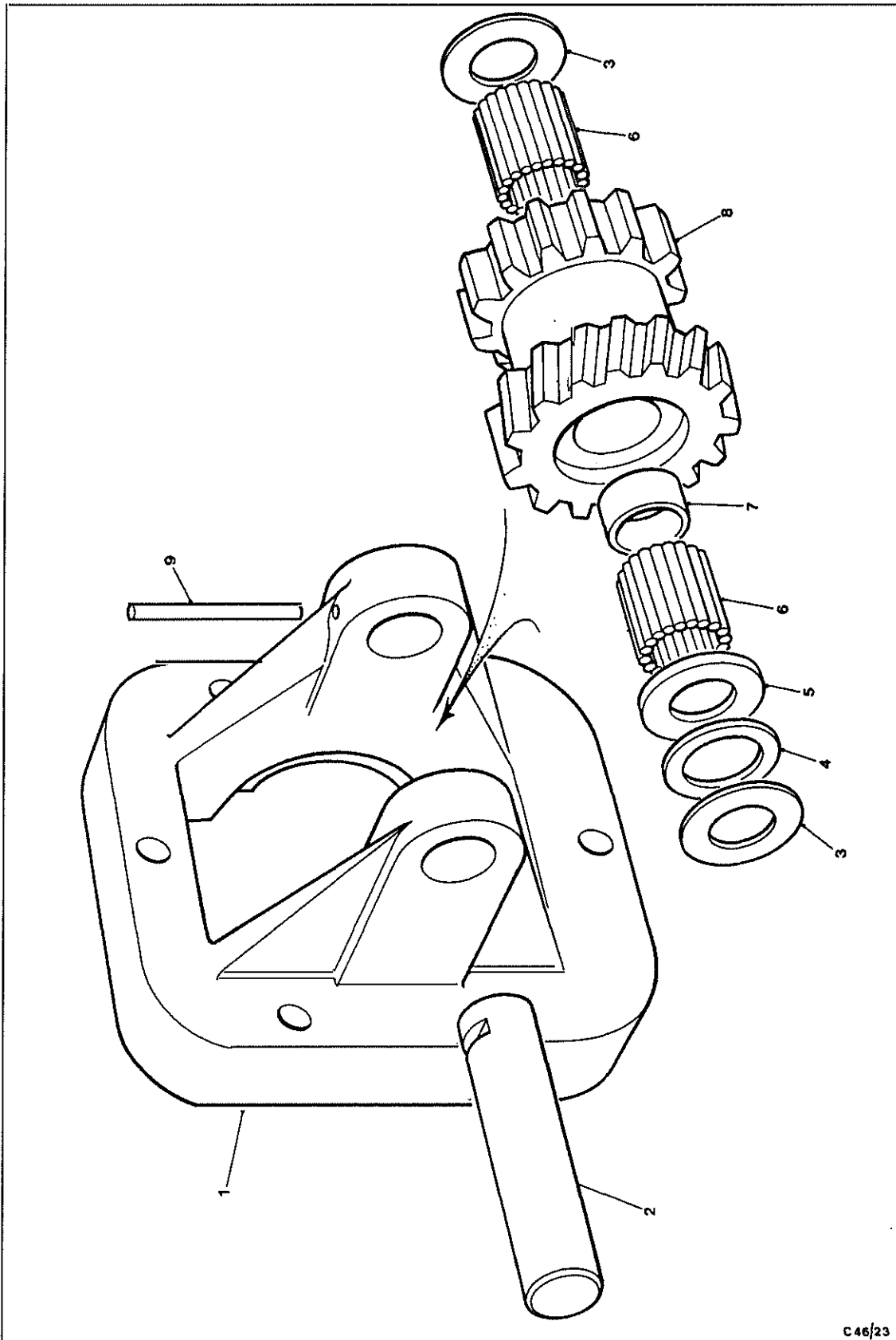
Chap 2-13

Fig 21 Pump to power take-off

50

FIG ITEM	MAN CODE NAVY - N ARMY - A RAF - R	NATO STOCK NUMBER	ITEM NAME AND DESCRIPTION	PART NO./ DRAWING NO.	NO. OFF	ANNOTATIONS
Fig 21						
1	A 7EDT	5330-99-825-6656	CRANE - contd ..PUMP TO POWER TAKE-OFF ..GASKET, fibre, 9-1/4 in. lg x 7 in. w x 0.016 in. thk	FW25	1	
2	A 7EDT	2520-99-749-3643	..ADAPTOR, plate, steel, 9-1/4 in. lg x 7 in. w	AD13/27	1	
3	A		..BOLT, MACHINE, M10, hex hd, 30 mm lg		6	
4	A G1	5310-99-135-9303	..WASHER, LOCK, steel, cadmium plated, 10 mm		6	
5	A G1	5305-99-122-5328	..SCREW, SOCKET HEAD, ISO, metric, steel, flat csk hd, 10 mm - 1.50 mm x 25 mm lg		2	
6	A 7BD	5307-99-756-7068	..STUD, PLAIN, UNC/UNF, 3/8 in.	91054044	4	
7	A 7EDT	5330-99-749-2180	..GASKET, aluminium, 5/32 in. thk x 6-1/4 in. lg x 5 in. w, 6 holes 27/64 in. dia	FW119/1	1	
8	A 7EDT	5330-99-749-2181	..GASKET, oil resistant paper, 0.002 in. thk, 6-1/4 in. lg x 5 in. w, 6 holes 27/64 in. dia	FW120 FW2	2 1	
9	A 7EDT	5330-99-833-4892	..GASKET			
10	A 7EDT	5330-99-823-7414	..GASKET, fibre, 6-3/4 in. lg x 5 in. w x 1/32 in. thk, 6 holes 27/64 in. dia	FW14	1	
11	A		..GASKET, aluminium, 1/16 in. thk x 6-1/4 in. lg x 5 in. w, 6 holes 27/64 in. dia	FW115	1	
12	A G1	5310-99-135-9303	..WASHER, LOCK, steel, cadmium plated, 10 mm		4	
13	A 7BD	5310-99-818-6156	..NUT, PLAIN, HEXAGON, UNF, 3/8 in.	120369 11070981	4 2	
14	A 7BD	5330-99-830-6184	..RING, SEALING, TOROIDAL			
15	A G1	5310-99-122-6476	..WASHER, FLAT, steel, zinc coated, 10 mm		2	
16	A G1	5310-99-135-9303	..WASHER, LOCK, steel, cadmium plated, 10 mm		2	
17	A G1	5306-99-941-8747	..BOLT, MACHINE, UNC, steel, hex hd, 3/8 in. x 4 in. lg		2	

503



c46/23

Chap 2-13

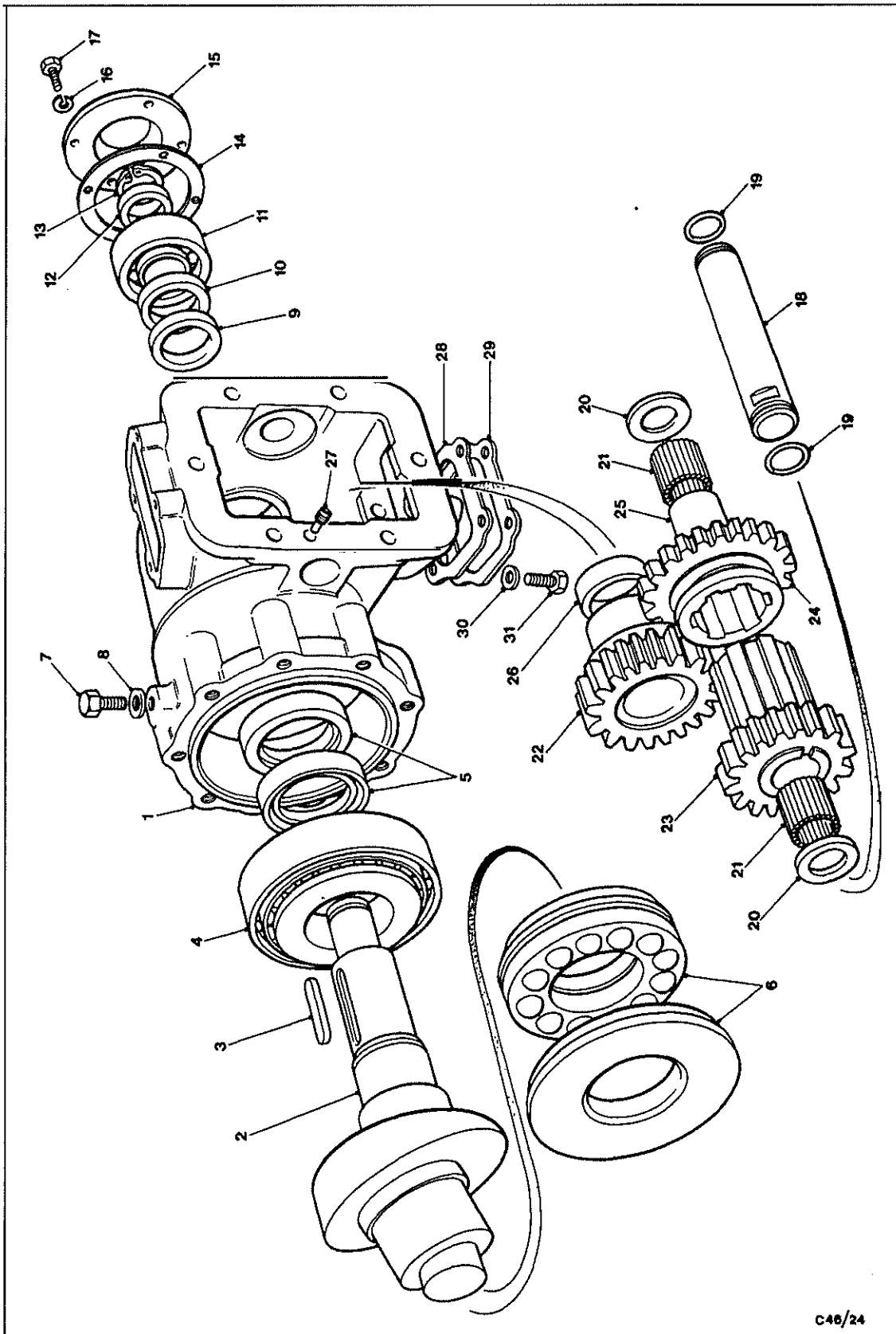
Fig 22 Power take-off gearbox adaptor

504

504

FIG ITEM	MAN CODE NAVY - N ARMY - A RAF - R	NATO STOCK NUMBER	ITEM NAME AND DESCRIPTION	PART NO./ DRAWING NO.	NO. OFF	ANNOTATIONS
Fig 22						
1-9	A	7EDT	2520-99-749-2182	CRANE -- contd ..POWER TAKE-OFF GEARBOX ADAPTOR	AD75B/43NC	1
2	A	7EDT	2520-99-827-9253	..SHAFT, STRAIGHT, steel, 7/8 in. dia x 3-13/32 in. lg	GS157	1
3	A	6MT7	3120-99-528-1827	..WASHER, THRUST, steel, 7/8 in. id x 1.427 in. od x 0.032 in. thk	NRT2	2
4			NP	..WASHER	NRT1	1
5			NP	..WASHER	NRT3	1
6	A	6MT7	3110-99-805-9478	..ROLLER, BEARING		50
7	A	7EDT	2520-99-749-3619	..SPACER, BEARING	DP136/105	1
8	A	7EDT	3020-99-749-2184	..GEAR CLUSTER, HELICAL - SPUR, steel, 17 teeth, 2.275 in. o/a lg	GW513/43	1
9	A	7EDT	2520-99-749-2183	..PIN, HOLLOW, steel, 1/8 in. id x 3/16 in. od x 1-7/8 in. lg	RP9/1.875	1

505



506

Chap 2 - 13

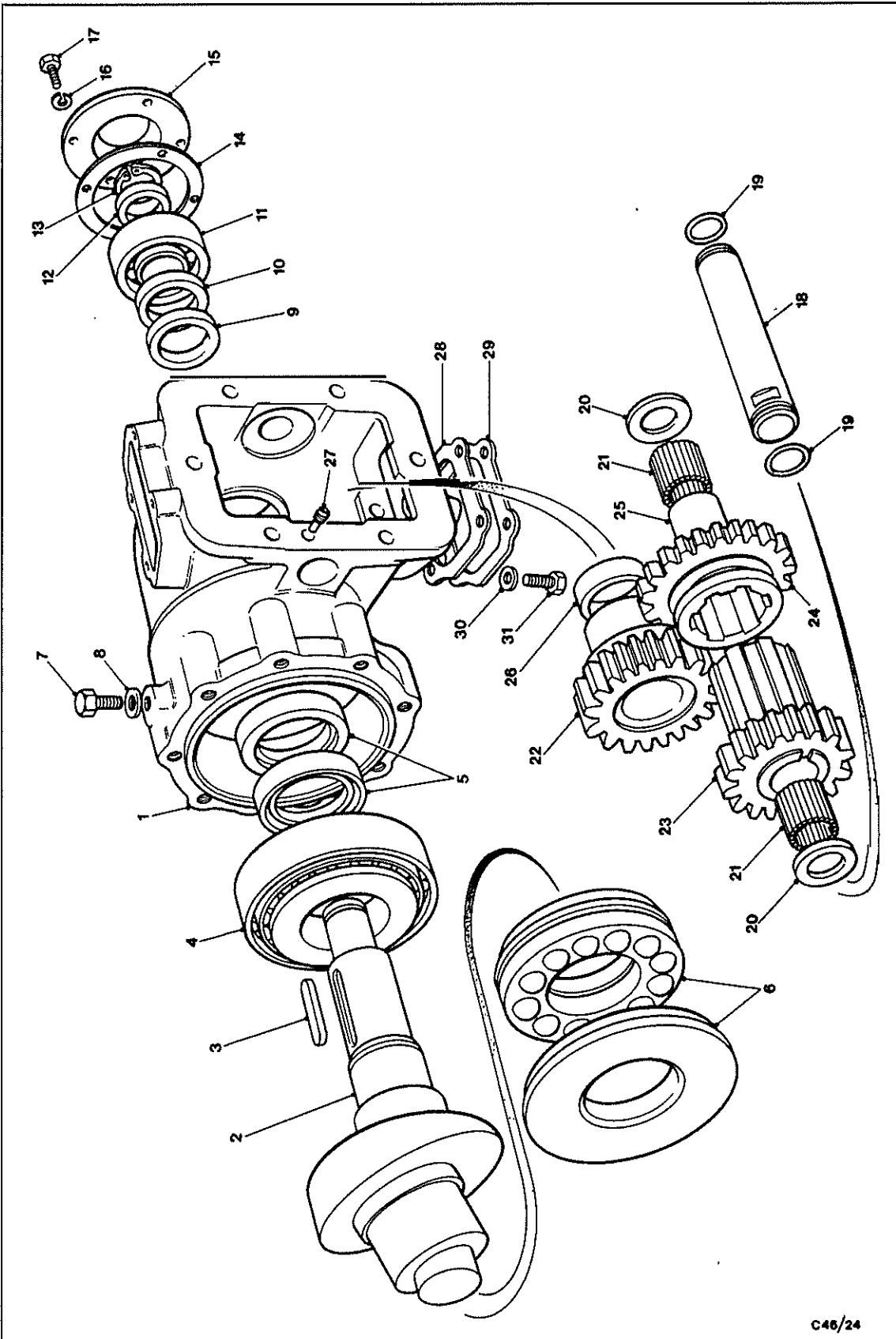
Fig 23 Pow r tak -off

C48/24

524

FIG ITEM	MAN CODE NAVY - N ARMY - A RAF - R	NATO STOCK NUMBER	ITEM NAME AND DESCRIPTION	PART NO./ DRAWING NO.	NO. OFF	ANNOTATIONS
Fig 23						
1-31	A 7EDT	2540-99-749-2172	CRANE - contd ..POWER TAKE-OFF	PO42000150 1521	1	
2	A 7EDT	2520-99-827-8846	..SHAFT, SHOULDERED, steel, 4-1/8 in. dia x 8.516 in. o/a lg	SWP186	1	
3	A 7EDT	2540-99-834-1482	..KEY	FK1008/13	1	
4	A 6MT7	3110-99-825-7279	..BEARING, TAPERED ROLLER, 2 in. bore x 4-3/8 in. od cup x 1-3/16 in. lg		1	
5	A 6MT1	5330-99-710-0507	..SEAL, PLAIN, rubber, 1-5/8 in. shaft dia x 2-3/8 in. bore dia x 3/8 in. w		2	
6	A 6MT7	3110-99-819-3965	..BEARING, BALL, THRUST, 60 mm id x 116 mm od x 36.5 mm w		1	
7	A G1	5305-99-136-6252	..SCREW, MACHINE, UNC, steel, 5/16 in. x 3/8 in. lg		2	
8	A 7EDT	5310-99-412-4105	..WASHER, copper/asb, 9 mm id x 14 mm od x 2 mm thk	WS25	2	
9	A 7EDT	5365-99-833-7388	..SPACER RING, steel, 1.375 in. id x 1.562 in. od x 0.234 in. lg	DP243	1	
10	A 7EDT	5310-99-833-7389	..WASHER, RECESSED, steel, 1-1/64 in. id x 1-9/16 in. od x 1/4 in. thk	DP236	1	
11	A 6MT7	3110-99-950-0754	..BEARING, PARALLEL ROLLER, JOURNAL, 1 in. id x 2-1/2 in. od x 3/4 in. w		1	
12	A 7EDT	2520-99-828-0341	..DISTANCE PIECE, steel, 1 in. id x 1-3/8 in. od x 1/8 in. thk	NRT16/125	1	
13	A W17	5365-99-404-9910	..RING, RETAINING, steel, ext, 1 in.	PS68/100	1	
14	A 7EDT	5330-99-819-3970	..GASKET, fibre, 2-3/4 in. id x 3-11/16 in. od x 1/64 in. thk, 4 holes 17/64 in. dia	PP250	1	
15	A 7EDT	2540-99-749-2176	..COVER, aluminium, 3-11/16 in. od x 9/16 in. o/a h, 4 holes 17/64 in. dia	CP140A WS11	1 4	
16	A 7RS	3825-99-208-9415	..WASHER, LOCK, 1/4 in.		4	
17	A G1	5305-99-941-0685	..SCREW, MACHINE, UNC, steel, hex hd, zinc coated, 1/4 in. x 1/2 in. lg		4	
18	A 7EDT	2520-99-827-8848	..SHAFT, STRAIGHT, steel, 0.874 in. dia x 5 in. o/a lg	GS213	1	
19	A 6MT1	5330-99-408-5718	..RING, SEALING, TOROIDAL, rubber 3/4 in. id x 1/16 in. h		2	
20	A 6MT7	3110-99-820-2538	..SEAT, BEARING, steel, 0.877 in. id x 1.427 in. od x 0.092 in. thk		2 50	
21	A 6MT7	3110-99-805-9478	..ROLLER, BEARING			
22	A 7EDT	3020-99-749-2185	..GEAR, SPUR, steel, 24 teeth, 4.219 in. od x 1-3/8 in. id x 1-15/16 in. o/a lg	GW530NC	1	
23	A 7EDT	3020-99-749-2178	..GEAR, SPUR, steel, 14 teeth, 2.613 in. od x 1-125 in. id x 1 in. o/a lg	GW547NC	1	
24	A 7EDT	3020-99-749-2179	..GEAR, SPUR, steel, 21 teeth, 3.750 in. od x 1.265 in. o/a lg	GW447/15	1	
25	A 7EDT	5365-99-819-3968	..SPACER, SLEEVE, steel, 7/8 in. id x 1-7/16 in. od x 0.940 in. lg	DP136/940	1	
26	A 7EDT	5365-99-833-7387	..SPACER, SLEEVE, steel, 1-3/8 in. id x 1-9/16 in. od x 1/2 in. lg	DP152	1	

505



Chap 2 - 13

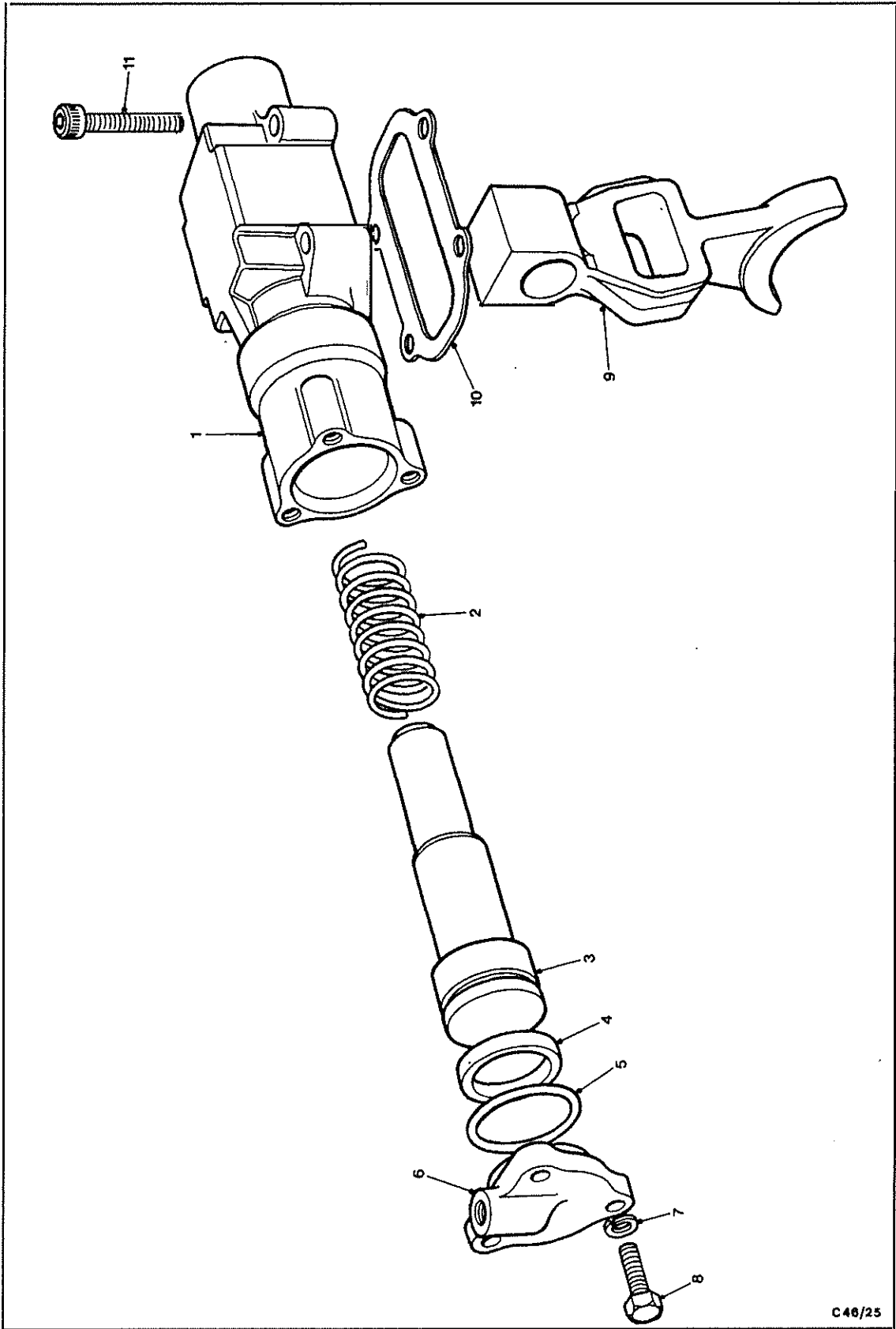
Fig 23 Pow r tak -off

C48/24

508

FIG ITEM	MAN CODE NAVY - N ARMY - A RAF - R	NATO STOCK NUMBER	ITEM NAME AND DESCRIPTION	PART NO./ DRAWING NO.	NO. OFF	ANNOTATIONS
Fig 23						
27	A 7EDT	5305-99-136-6253	CRANE - contd .POWER TAKE-OFF - contd ..SCREW, CRUB, UNC, steel, slot drive, flat point, 5/16 in. x 25/32 in. o/a lg	KG31	1	
28	A 7EDT	5330-99-822-2622	..GASKET, 3-1/8 in. lg x 2-1/2 in. w x 1/16 in. thk, 4 holes 17/64 in. dia holes	PP280	1	
29	A 7EDT	2520-99-756-0082	..COVER PLATE, steel, 3-1/8 in. lg x 2-1/2 in. w x 0.080 in. thk, 4 holes 17/64 in. dia	GP149	1	
30	A 7RS	3825-99-208-9415	..WASHER, LOCK, 1/4 in.	WS11	4	
31	A G1	5305-99-941-0685	..SCREW, MACHINE, UNC, steel, hex hd, zinc coated, 1/4 in. x 1/2 in.		4	

509



Chap 2-13

Fig 24 Power take-off selector

C48/25

629

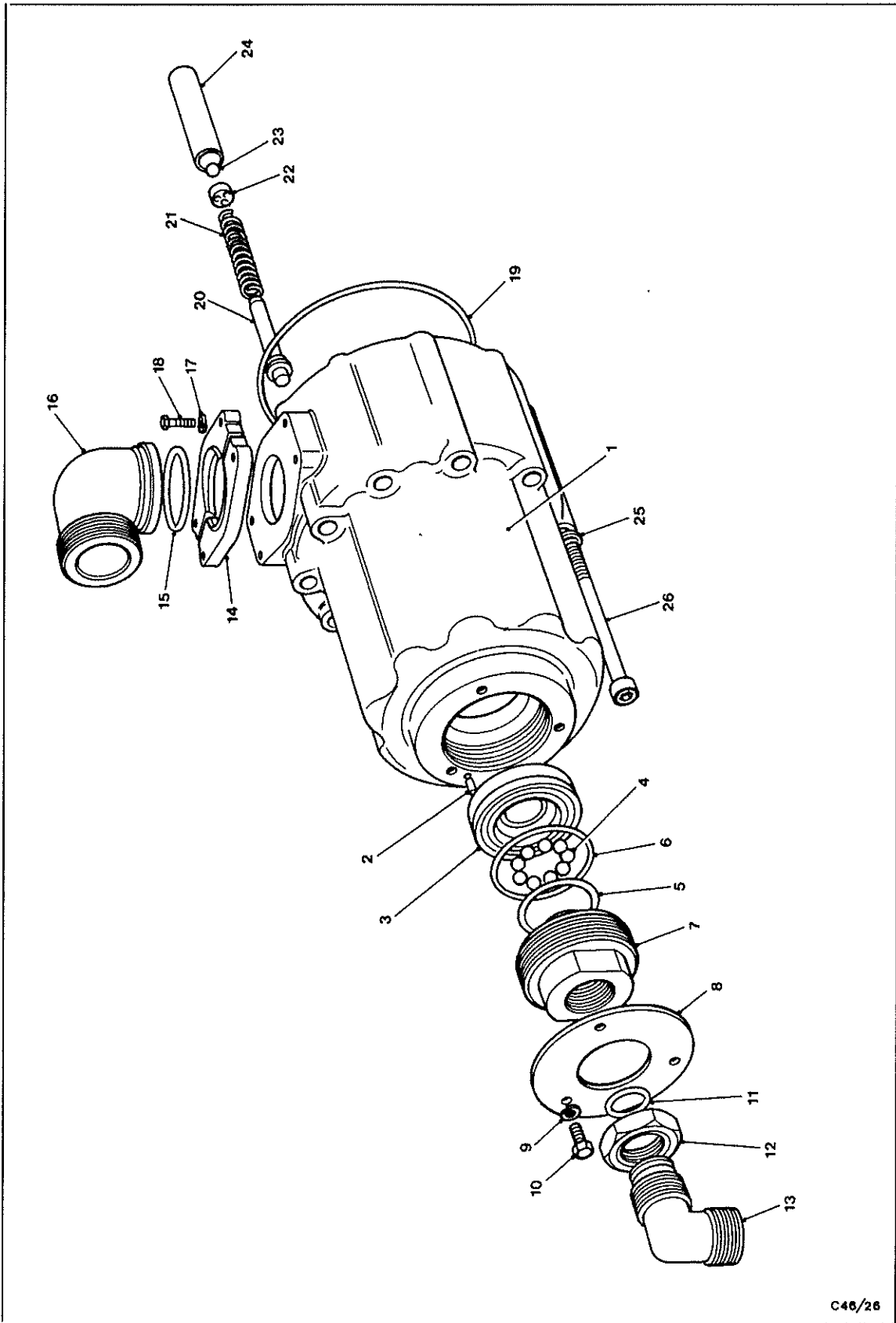
ARMY EQUIPMENT
SUPPORT PUBLICATIONS

2320-L-701-711

FIG ITEM	MAN CODE NAVY - N ARMY - A RAF - R	NATO STOCK NUMBER	ITEM NAME AND DESCRIPTION	PART NO./ DRAWING NO.	NO. OFF	ANNOTATIONS
Fig 24						
1-11	A	7RS	3825-99-207-8132	CRANE - contd		
2	A	7EDT	5360-99-412-4244	..SELECTOR, POWER TAKE-OFF	TLA14	1
3		NP		..SPRING, HELICAL, COMPRESSION, steel, 1 in. od x 1-7/8 in. lg	PS65/16	1
4		NP		..PISTON	SL188	1
5	A	7RS	5330-99-208-9419	..RING	OR240	1
6	A	7RS	3825-99-208-9418	..RING, SEALING, TOROIDAL	R2137	1
7	A	7RS	3825-99-208-9415	..COVER, inlet, aluminium, 1/8 in. NPTF thd, 3 mtg holes	CP159	1
8	A	G1	5305-99-941-1168	17/64 in. dia	WS11	3
9	A	7EDT	2520-99-819-3973	..WASHER, LOCK, 1/4 in.		
10	A	7EDT	5330-99-811-4291	..SCREW, MACHINE, UNC, steel, hex hd 1/4 in. x 3/4 in. lg		3
11	A	G1	5305-99-970-6379	..FORK, SELECTOR, gear, bronze, 4-29/32 in. o/a lg x 2-1/4 in. w x 3/4 in. hole	OF35	1
				..GASKET, 3-1/8 in. lg, 2-1/2 in. w, 1/32 in. thk	PP237	1
				..SCREW, SOCKET HEAD, UNC, steel, flat fillister or knurled hd, 1/4 in. x 1-1/4 in.		4

511

5/11



512

Chap 2-13

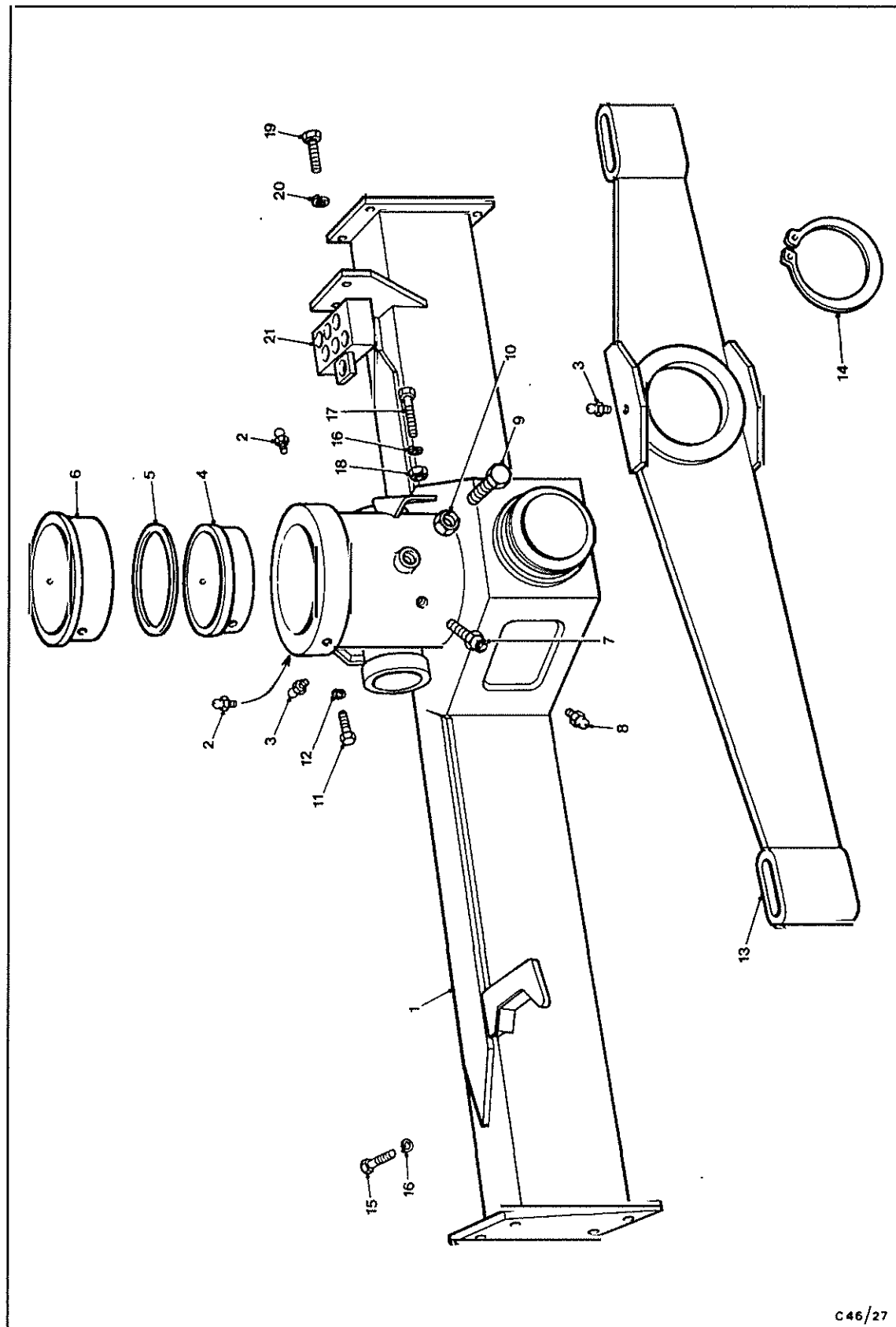
Fig 25 Pump

C46/26

530

FIG ITEM	MAN CODE NAVY - N ARMY - A RAF - R	NATO STOCK NUMBER	ITEM NAME AND DESCRIPTION	PART NO./ DRAWING NO.	NO. OFF	ANNOTATIONS
Fig 25						
1-26	A	7EDT	4320-99-839-3676	CRANE - contd ..PUMP, ROTARY, POWER DRIVEN, 9 cylinder, swash plate type; c/w adaptor	WPO7020011 258	1
2	A	7EDT	5315-99-834-1362	..PIN, STRAIGHT, HEADLESS, steel, 1/8 in. dia x 1/4 in. lg	E620	3
3	A	7EDT	4320-99-833-7392	..SEAT BLOCK, VALVE, 2-1/4 in. od x 5/8 in. thk	NR370	1
4	A	6MT7	3110-99-950-0573	..BALL, BEARING, chrome carbon steel, 3/8 in. dia		9
5	A	6MT1	5330-99-819-3523	..RING, SEALING, TOROIDAL, rubber, 1-3/4 in. id x 1/8 in. h		1
6	A	6MT1	5330-99-806-9451	..RING, SEALING, TOROIDAL, rubber, 2 in. id x 1/8 in. h		1
7	A	7EDT	4320-99-819-3525	..BLOCK, PUMP HEAD, nickel-chrome steel, 2-1/4 in. - 12 BSW, 3/4 in. BSP	NR146NC WS11	1 3
9	A	7RS	3825-99-208-9415	..WASHER, LOCK, 1/4 in.		3
10	A	G1	5305-99-941-0685	..SCREW, MACHINE, UNC, steel, hex hd, zinc coated, 1/4 in. x 1/2 in. lg		3
11	A	6MT1	5330-99-810-0913	..RING, SEALING, TOROIDAL, rubber, 3/4 in. id x 3/32 in. h		1
12	A	7EDT	5310-99-834-1042	..NUT, PLAIN, HEXAGON		1
13	A	7EDT	2540-99-834-1389	..ADAPTOR, ELBOW, OUTLET, 2-3/4 in. BSP	NR112-2	1
14	A	7EDT	4320-99-833-7393	..PLATE, ADAPTOR, INLET	FC93	1
15	A	W18	5330-99-945-0392	..RING, SEALING, TOROIDAL		1
16	A	7EDT	4320-99-745-9260	..ADAPTOR, ELBOW, 1-1/4 in. BSP	NR695A	1
17	A	7RS	3825-99-208-9415	..WASHER, LOCK, 1/4 in.		4
18	A	G1	5305-99-941-0689	..SCREW, MACHINE, UNC, steel, hex hd, zinc coated, 1/4 in. x 1 in.		4
19	A	6MT1	5330-99-819-3526	..RING, SEALING, TOROIDAL, rubber, 4-3/4 in. id x 1/16 in. h		1
20	A	7EDT	4320-99-745-9259	..GUIDE, SPRING, steel, 0.275 in. dia x 3-1/32 in. o/a lg	SG10	9
21	A	7EDT	5360-99-449-6138	..SPRING, HELICAL, COMPRESSION	PS65-26A	9
22	A	7EDT	4320-99-819-3527	..GRID, PLUNGER, steel, 29/64 in. od, 3 holes 5/32 in. dia	NR340MS	9
23	A	6MT7	3110-99-950-0572	..BALL, BEARING, steel, 11/32 in. dia		9
24	A	7EDT	4320-99-819-3528	..PLUNGER	PG55NC	9
25	A	G1	5310-99-120-8697	..WASHER, LOCK, steel, 3/8 in.		9
26	A	6MT1	5306-99-977-0001	..BOLT, MACHINE, UNC, steel, double hex extended washer hd, 3/8 in. x 3-7/8 in. lg	KS127	9

513

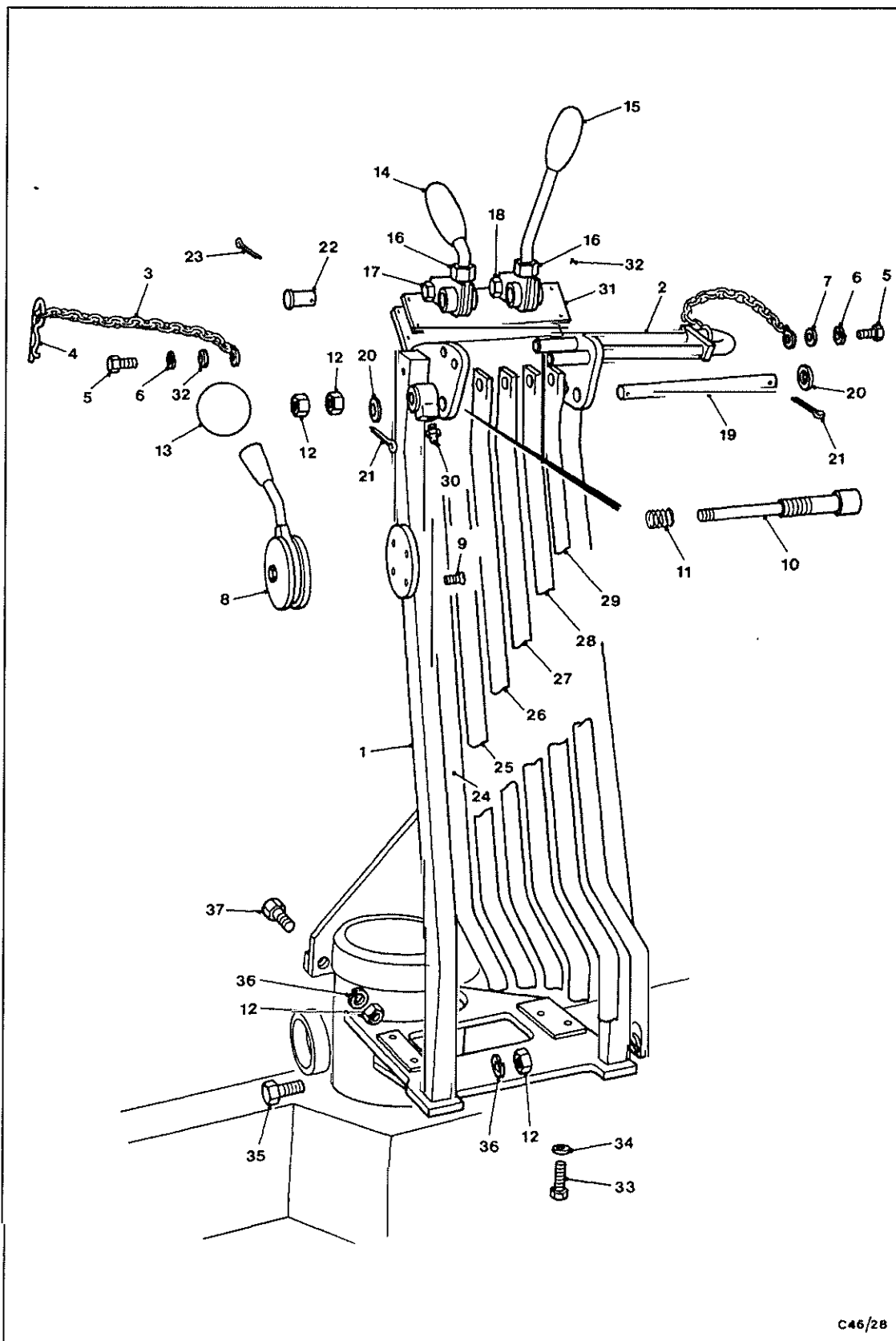


514

Fig 26 Crane base

FIG ITEM	MAN CODE NAVY - N ARMY - A RAF - R	NATO STOCK NUMBER	ITEM NAME AND DESCRIPTION	PART NO./ DRAWING NO.	NO. OFF	ANNOTATIONS
Fig 26						
1-14		NP	CRANE - contd			
I-12		NP	.CRANE BASE, assy	739546	1	
2	A 6MT1	4730-99-823-6501	..CRANE BASE, assy ...LUBRICATING NIPPLE, steel, sq hd type, 8 mm - 1 mm, 9 mm A/F	682979	1	
3	A 8REAT	4730-99-811-5976	...LUBRICATING NIPPLE	300569	2	
4	A 8REAT	3120-99-825-1848	...BEARING, TRESTLE, circ; w/flange, 250 mm o/a w x 70 mm h x 212.2 mm id, w/oil grooves	108985 210833	1	
5	A 8REAT	2590-99-832-7405	...RING, THRUST	108974	1	
6	A 8REAT	3120-99-825-1847	...BEARING, TRESTLE, circ; w/flange, 70 mm h x 264.2 mm id x 295 mm od; w/oil grooves	565864	1	
7	A 8REAT	2590-99-837-6764	...EXTENSION, LUBRICATING, NIPPLE	324603	1	
8	A 8REAT	4730-99-824-0835	...LUBRICATING NIPPLE, 90 deg angle, 10 mm thd	458206	2	
9	A 8REAT	5306-99-977-9030	...BOLT			
10	A G1	5310-99-124-3652	...NUT, PLAIN, HEXAGON, ISO metric, steel, 20 mm - 2.50 mm		2	
11	A G1	5305-99-122-4910	...SCREW, MACHINE, ISO metric, steel, hex hd, zinc coated, 10 mm - 1.50 mm x 25 mm lg		2	
12	A G1	5310-99-135-9303	...WASHER, LOCK, steel, cadmium plated, 10 mm		2	
14	A 8REAT	5365-99-212-6510	..RING, RETAINING	303722	1	
15	A G1	5305-99-122-8587	..SCREW, MACHINE, ISO metric, steel, hex hd, 8.20 mm - 1.25 mm x 40 mm lg		4	
16	A G1	5310-99-135-9293	..WASHER, LOCK, steel, 8 mm		6	
17	A G1	5306-99-124-3602	..BOLT, MACHINE, ISO metric, steel, hex hd, 8 mm - 1.25 mm x 55 mm lg		2	
18	A G1	5310-99-122-3402	..NUT, PLAIN, HEXAGON, ISO metric, steel, 12 mm - 1.75 mm		2	
19	A G1	5305-99-122-4910	..SCREW, MACHINE, ISO metric, steel, hex hd, zinc coated, 10 mm - 1.5 mm x 25 mm lg		2	
20	A G1	5310-99-135-4103	..WASHER, LOCK, steel, 10 mm		2	
21	A 8REAT	2590-99-839-0445	..BLOCK, DUCT, crane base	955888	1	
NI	A G1	5306-99-137-4832	.BOLT, MACHINE, ISO, metric, steel, hex hd, zinc coated, 30 mm x 180 mm lg		4)Crane)mtg to)chassis)
NI	A G1	5310-99-135-0780	.NUT, PLAIN, HEXAGON, ISO, metric, steel, zinc coated, 30 mm		8	
NI	A 8REAT	2590-99-752-0777	.WASHER		4	

515

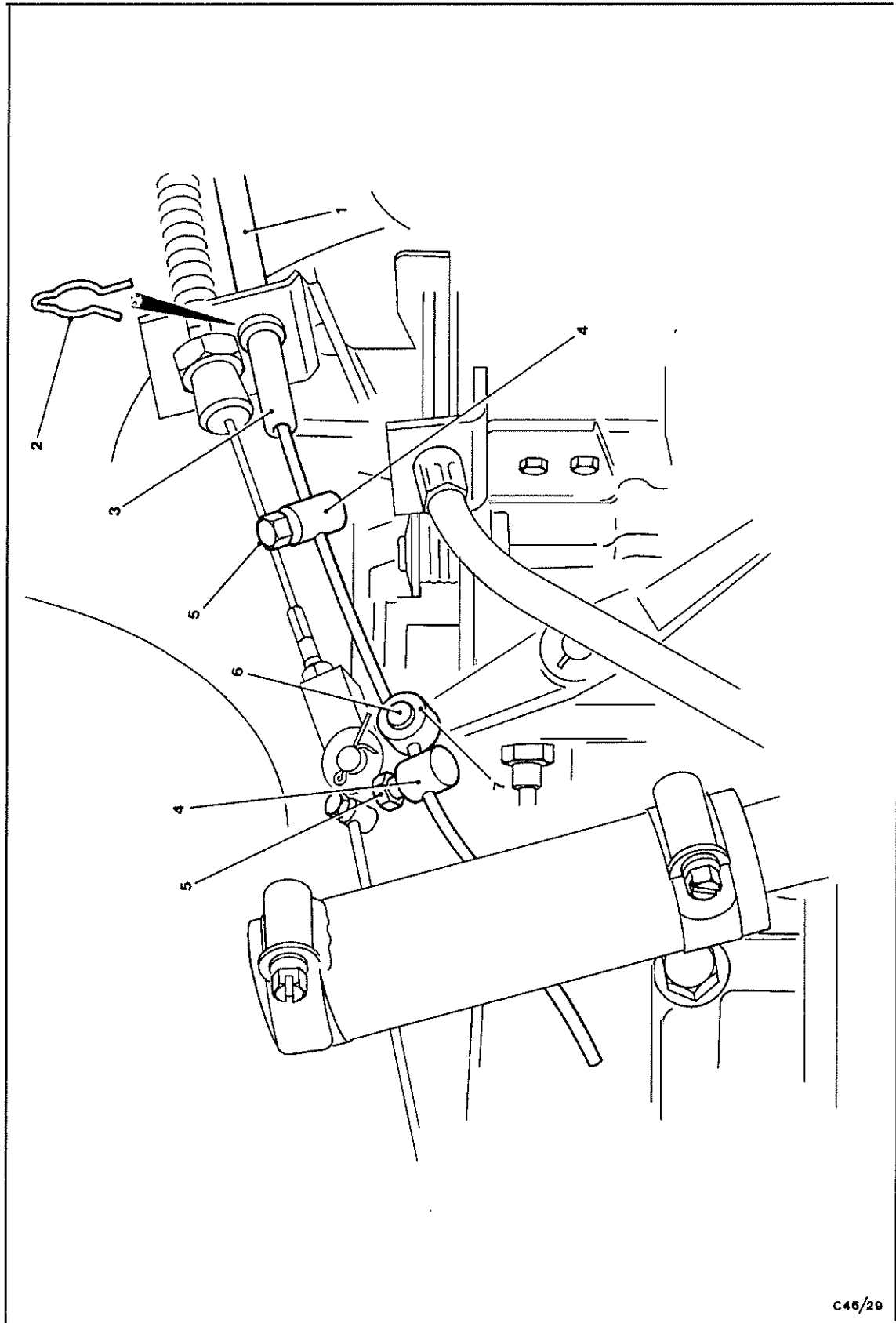


C46/28

Chap 2-13

Fig 27 Cran controls

FIG ITEM	MAN CODE NAVY - N ARMY - A RAF - R	NATO STOCK NUMBER	ITEM NAME AND DESCRIPTION	PART NO./ DRAWING NO.	NO. OFF	ANNOTATIONS
Fig 27						
1-30		NP	CRANE - contd			
2	A	8REAT 2590-99-751-9025	..CRANE CONTROLS	637510	1	
3	A	8REAT 2590-99-751-4033	..BRACKET, SAFETY: control rods	673694	1	
4	A	8REAT 5315-99-977-9031	..CHAIN, LOCKING,: safety bracket	446064	2	
5	A	G1 5305-99-122-4910	..PIN, COTTER, SPLIT	458706	1	
6	A	G1 5310-99-135-9301	..SCREW, MACHINE		2	
7	A	G1 5310-99-122-3031	..WASHER, LOCK, steel, cadmium plated, 6 mm		2	
8	A	8REAT 2590-99-823-8695	..WASHER, FLAT, steel, zinc coated, 4 mm		2	
9	A	G1 5305-99-135-0268	..LEVER, HAND THROTTLE	310403	1	
10	A	8REAT 5315-99-838-2768	..SCREW, MACHINE, ISO metric, steel, flat csk hd, zinc coated, slot drive, 8 mm - 1.25 mm x 16 mm lg		4	
11	A	8REAT 5360-99-838-2769	..PIN	956765	2	
12	A	G1 5310-99-122-5297	..SPRING, GARTER, EXTENSION	861114	2	
13	A	8REAT 5355-99-838-2770	..NUT, PLAIN, HEXAGON, ISO metric, steel, zinc coated, 10 mm - 1.5 mm		10	
14	A	8REAT 2590-99-752-4221	..KNOB	447418	2	
15	A	8REAT 2590-99-752-4220	..LEVER, CONTROL, HAND: rh & lh stabilizer operation	959235	2	
16	A	8REAT 2590-99-824-0980	..LEVER, CONTROL, HAND: boom, jib, slew and jib extension operation	959224	4	
17	A	8REAT 2590-99-751-9293	..CAP NUT	361233	6	
NI	A	8REAT 2590-99-751-9313	..SHIFT PLATE, RIGHT: control levers	683243	1	
18	A	8REAT 2590-99-751-6312	..SHIFT PLATE, LEFT: control levers	683981	1	
19	A	8REAT 2590-99-750-7432	..SHIFT PLATE: control levers	540365	4	
20	A	G1 5310-99-122-6477	..PIN: control lever	183997	1	
21	A	G1 5315-14-201-3781	..WASHER, FLAT, steel, zinc coated, 12 mm		2	
22	A	G1 5315-12-159-2974	..PIN, COTTER, SPLIT		2	
23	A	G1 5315-99-138-2203	..PIN, STRAIGHT, HEADED, steel, flat fillister hd, 8 mm dia x 22 mm lg		12	
24	A	8REAT 2590-99-751-9286	..PIN, COTTER, SPLIT		12	
25	A	8REAT 2590-99-751-9287	..TUBE, CONTROL	683185	1	
26	A	8REAT 2590-99-751-9289	..TUBE, CONTROL	683196	1	
27	A	8REAT 2590-99-751-9290	..TUBE, CONTROL	683209	1	
28	A	8REAT 2590-99-751-9291	..TUBE, CONTROL	683210	1	
29	A	8REAT 2590-99-751-9292	..TUBE, CONTROL	683221	1	
30	A	8REAT 4730-99-811-5976	..TUBE, CONTROL	683232	1	
33	A	G1 5305-99-977-4949	..LUBRICATING NIPPLE	300569	2	
34	A	G1 5310-99-135-9293	..SCREW, MACHINE, ISO, metric, steel, hex hd, phosphated, 8 mm - 1.25 mm x 22 mm lg	315748	4	
	A	G1 5310-99-135-9293	..WASHER, LOCK, steel, 8 mm		4	



Chap 2-13

Fig 28 Hand throttl control cabl

C48/29

536

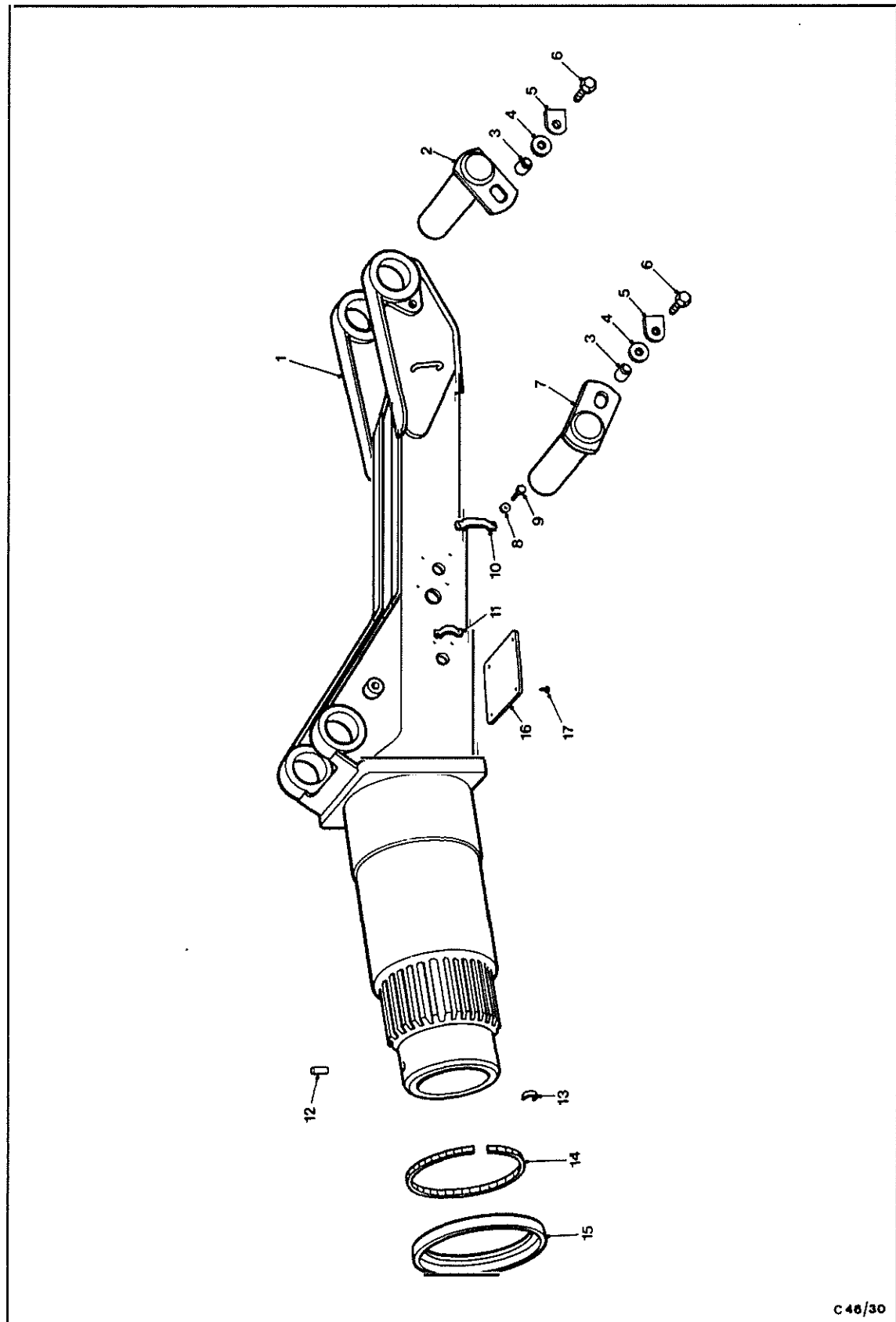
518

ARMY EQUIPMENT
SUPPORT PUBLICATIONS

2320-L-701-711

FIG ITEM	MAN CODE NAVY - N ARMY - A RAF - R	NATO STOCK NUMBER	ITEM NAME AND DESCRIPTION	PART NO./ DRAWING NO.	NO. OFF	ANNOTATIONS
Fig 28			CRANE -- contd			
1	A	6MT1	2990-99-745-1553	91049571	1	
2	A	7BD	5340-99-833-3193	7082851	1	
3		NP	NP	2681659	1	
4	A	7BD	5315-99-830-2472	9964745	2	
5	A	G1	5305-99-138-4827		2	
6	A	7BD	5315-99-745-1555		2	
7	A	7BD	5365-99-745-1556	91047390	1	
				91047391	1	
NI	A	7BD	2910-99-765-8957			
NI	A	7BD	5315-99-830-2472	91085891	1	
				9964745	1	

519

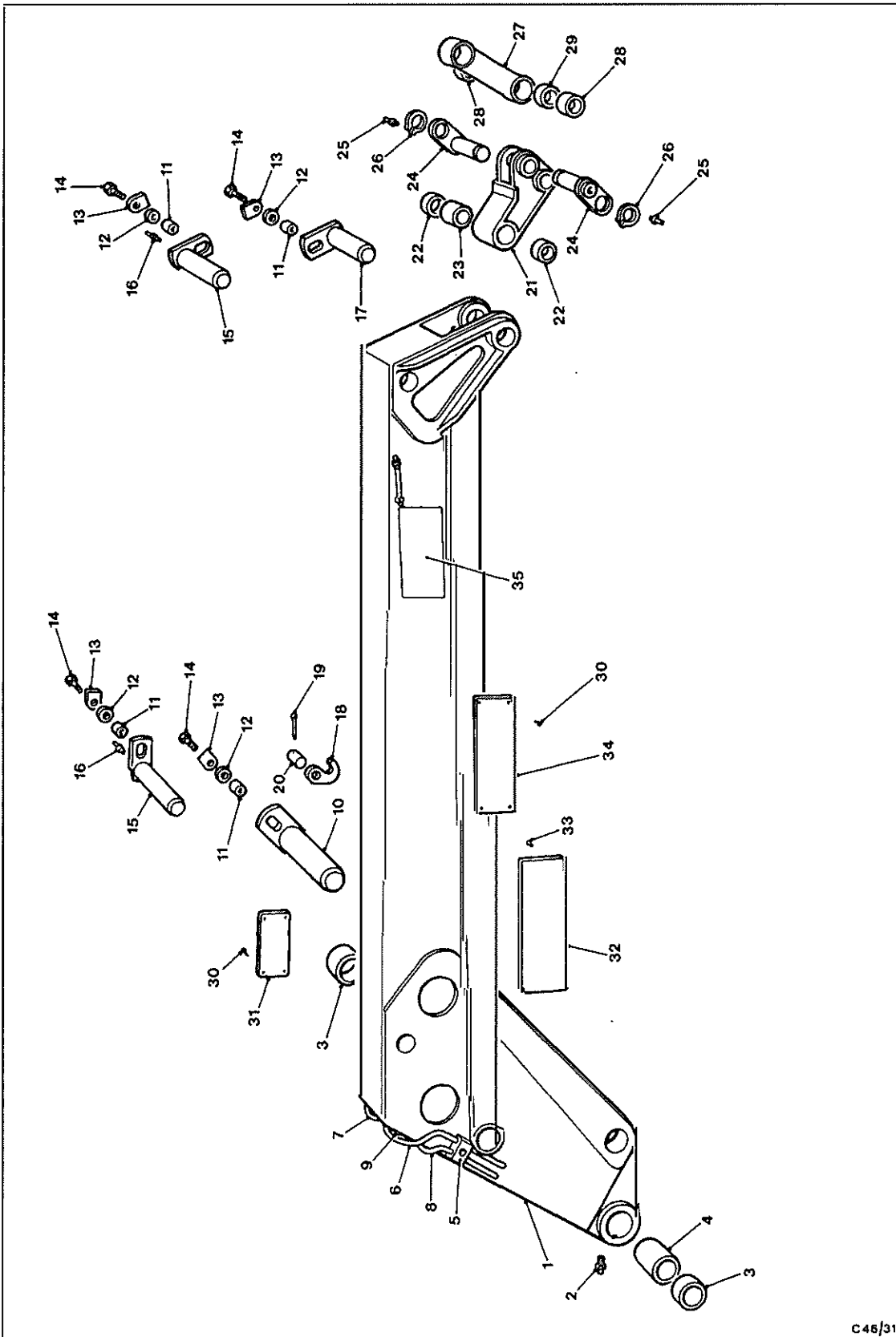


590

Fig 29 C ntr column

FIG ITEM	MAN CODE NAVY - N ARMY - A RAF - R	NATO STOCK NUMBER	ITEM NAME AND DESCRIPTION	PART NO./ DRAWING NO.	NO. OFF	ANNOTATIONS
Fig 29						
1-15		NP	CRANE - contd			
2	A 8REAT	2590-99-825-1846	..CENTRE COLUMN ..PIN, SECURING, CENTRE COLUMN, steel, 338 mm lg, x 60 mm dia; w/tab plate	739353 548465	1 1	
3	A 8REAT	5365-99-826-7026	..SPACER, SLEEVE, steel, 17 mm id x 25 mm od x 10 mm lg	159599	2	
4	A 8REAT	5310-12-148-9241	..WASHER, FLAT, steel, 16 mm id x 40 mm od x 6 mm thk	448179	2	
5	A 8REAT	2590-99-139-7149	..PLATE, LOCKING	048266	1	
6	A G1	5305-99-122-8603	..SCREW, MACHINE, ISO, metric, steel, hex hd, 16 mm - 2 mm x 35 mm lg		2	
7	A 8REAT	2590-99-825-1843	..PIN, SECURING, CENTRE COLUMN, steel, 293 mm lg x 60 mm dia; w/tab plate	540343	1	
8	A G1	5310-99-122-3031	..WASHER, FLAT, steel, zinc coated, 4 mm		12	
9	A G1	5305-99-122-5361	..SCREW, MACHINE, ISO, metric, steel, hex hd, zinc coated, 6 mm - 1 mm x 20 mm lg		12	
10	A 8REAT	5340-99-752-4104	..STRAP, RETAINING: centre column fitting	953693	4	
11	A 8REAT	5340-99-750-1011	..STRAP, RETAINING: centre column fitting	033963	2	
12	A 8REAT	2590-99-751-2944	..PIN, LOCATING: centre column fitting	397199	1	
13	A 8REAT	5340-99-812-4579	..CONNECTING LINK, CLAMP	303620	1	
14	A 8REAT	5340-99-812-4578	..CLAMP, RIM CLENCHING, 800 mm lg	303631	1	
15	A 8REAT	2590-99-811-6835	..BOOT, DUST AND MOISTURE SEAL	303608	1	

521



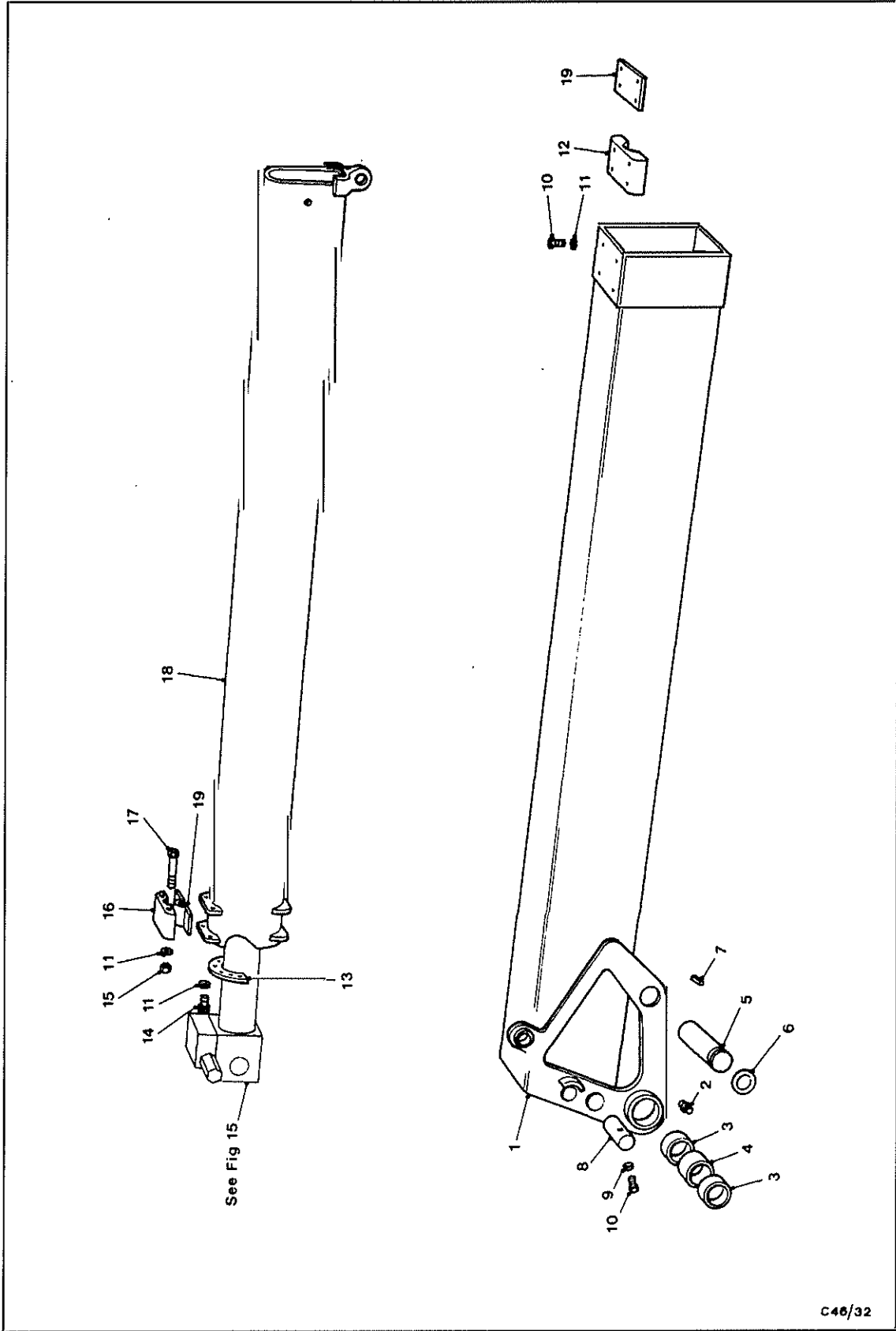
592

Fig 30 Cran boom and jib linkage

540

FIG ITEM	MAN CODE NAVY - N ARMY - A RAF - R	NATO STOCK NUMBER	ITEM NAME AND DESCRIPTION	PART NO./ DRAWING NO.	NO. OFF	ANNOTATIONS
Fig 30			CRANE - contd			
1-20		NP	..BOOM, major assy	739499	1	
1-4		NP	..BOOM, minor assy	682593	1	
2	A	8REAT 4730-99-811-5976	...LUBRICATING NIPPLE	300569	1	
3	A	8REAT 3120-99-812-4581	...BUSHING, SLEEVE, 60 mm id x 68 mm od x 45 mm lg	202117	2	
4	A	8REAT 2590-99-832-7426	...SPACER	295141	1	
5	A	8REAT 5340-99-751-4611	..STRAP, RETAINING: oil pipes	496984	2	
6	A	8REAT 2590-99-751-9257	..PIPE, OIL: right	682606	1	
7	A	8REAT 2590-99-751-9258	..PIPE, OIL: left	682617	1	
8	A	8REAT 2590-99-751-9259	..PIPE, OIL: right	682628	1	
9	A	8REAT 2590-99-751-9260	..PIPE, OIL: left	682639	1	
10	A	8REAT 5315-99-751-8964	..PIN, STRAIGHT, HEADED	664977	1	
11	A	8REAT 5365-99-826-7026	..SPACER, SLEEVE, steel, 17 mm id x 25 mm od x 10 mm lg	159599	4	
12	A	8REAT 5310-99-139-3611	..WASHER, FLAT, steel, 16 mm id x 40 mm od x 6 mm thk	448179	4	
13	A	8REAT 2590-99-139-7149	..PLATE, LOCKING	048266	4	
14	A	G1 5305-99-122-8603	..SCREW, MACHINE, ISO, metric, steel, hex hd, 16 mm - 2 mm x 35 mm lg		4	
15-16	A	8REAT 5315-99-751-7284	..PIN, STRAIGHT, HEADED	590207	2	
16	A	8REAT 4730-99-811-5976	...LUBRICATING NIPPLE	300569	2	
17	A	8REAT 5315-99-751-7285	..PIN, STRAIGHT, HEADED	590218	1	
18	A	8REAT 2590-99-832-7444	..TUMBLING HOOK	155302	1	
19	A	G1 5315-99-944-0197	..PIN, COTTER, SPLIT, steel, phosphated, 7/32 in. x 1-3/4 in. lg		2	
20	A	8REAT 5315-99-832-7443	..PIN, STRAIGHT, HEADLESS	155299	1	
21-29		NP	..JIB LINKAGE, assy	628586	1	
21-23	A	8REAT 2590-99-837-6781	..LEVER: jib shift, assy	571135	1	
22	A	8REAT 2590-99-824-9561	...BUSH, split	302129	2	
23	A	8REAT 5365-99-837-6780	...SPACER, SLEEVE	003854	1	
24-25	A	8REAT 2590-99-837-6782	..PIN ASSEMBLY, 45 mm dia x 156 mm max o/a lg; c/w securing plate	571157	2	
25	A	8REAT 4730-99-811-5976	...LUBRICATING NIPPLE	300569	2	
26	A	6MT1 5365-99-825-1839	..RING, RETAINING, steel, ext; u/w 45 mm dia shaft		2	
27-29	A	8REAT 2590-99-837-6784	..LEVER: shift, jib arm to folding arm	571146	1	
28	A	8REAT 3120-99-825-1842	...BUSH, split, phcsphor bronze, 45 mm id x 55 mm od x 25 mm lg	306145	4	
29	A	8REAT 5365-99-837-6783	...SPACER, SLEEVE, 46 mm id x 55 mm od x 30 mm lg	003898	2	
31	A	8REAT 2590-99-752-1795	..PLATE, WARNING: crane boom	857914	1	
35	A	8REAT 2590-99-751-2661	..LABEL, WARNING	386232	2	

523



Chap 2-13

Fig 31 Jib and extension arm

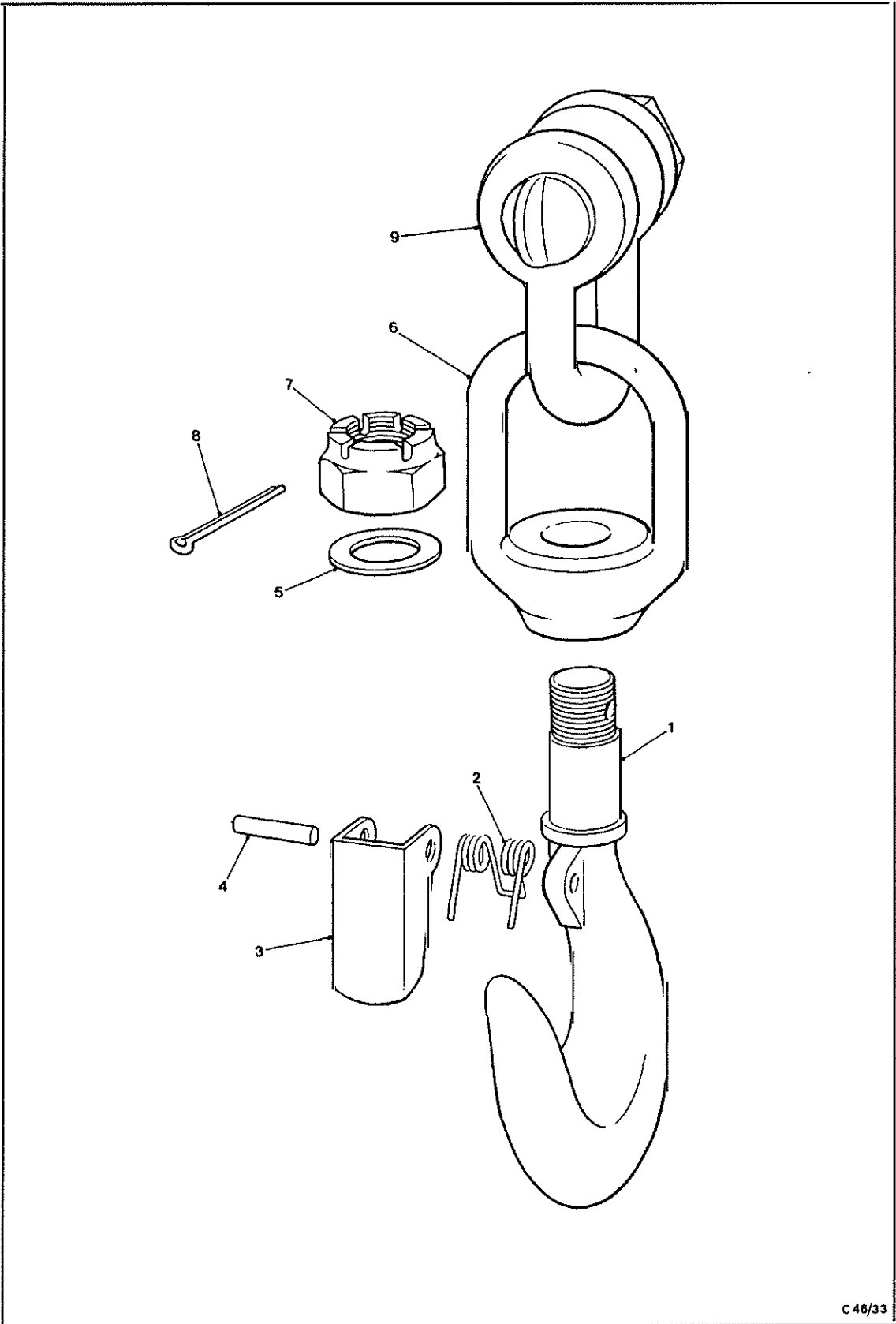
524

542

FIG ITEM	MAN CODE NAVY - N ARMY - A RAF - R	NATO STOCK NUMBER	ITEM NAME AND DESCRIPTION	PART NO./ DRAWING NO.	NO. OFF	ANNOTATIONS
Fig 31						
1-18		NP	CRANE - contd			
2	A	8REAT 4730-99-811-5976	..JIB; c/w extension arm	739488	1	
3	A	8REAT 3120-99-837-6771	..LUBRICATING NIPPLE	300569	1	
4	A	8REAT 5365-99-750-1003	..BUSH, 35 mm id x 45 mm od x 40 mm lg	811056	2	
5	A	8REAT 5315-99-750-1004	..SPACER, SLEEVE	032804	1	
6	A	6MT1 5365-99-825-1828	..PIN, STRAIGHT, HEADLESS	032860	1	
7	A	G1 5315-99-137-9683	..RING, RETAINING, steel, 45 mm bore		2	
8	A	8REAT 5315-99-751-7283	..KEY, MACHINE, steel, 30 mm lg x 14 mm w x 9 mm h, rd ends	590036	1	
9	A	G1 5310-99-122-3413	..PIN, STRAIGHT, HEADED		1	
10	A	G1 5305-99-122-8591	..WASHER, FLAT, steel, 10 mm		1	
			..SCREW, MACHINE, ISO, metric, steel, hex hd, 10 mm - 1.50 mm x 30 mm lg		9	
11	A	G1 5310-99-135-4103	..WASHER, LOCK, steel, 10 mm		8	
12	A	8REAT 2590-99-752-1351	..GUIDE PIECE	817712	2	
13	A	8REAT 2590-99-837-6775	..PLATE	760974	1	
14	A	G1 5305-99-122-3392	..SCREW, SOCKET HEAD, ISO, metric, steel, flat fillister or knurled hd, M10 - 1.50 mm x 25 mm lg		4	
15	A	G1 5310-99-122-5297	..NUT, PLAIN, HEXAGON, ISO metric, steel, zinc coated, 10 mm - 1.50 mm		4	
16	A	8REAT 2590-99-752-1352	..GUIDE PIECE	817723	2	
17	A	G1 5306-99-139-5064	..BOLT, MACHINE, ISO, metric, steel, hex hd, 10 mm - 1.50 mm x 130 mm lg		4	
19	A	8REAT 2590-99-752-0879	..SPACER, GUIDE	779497	AR	

525

547



526

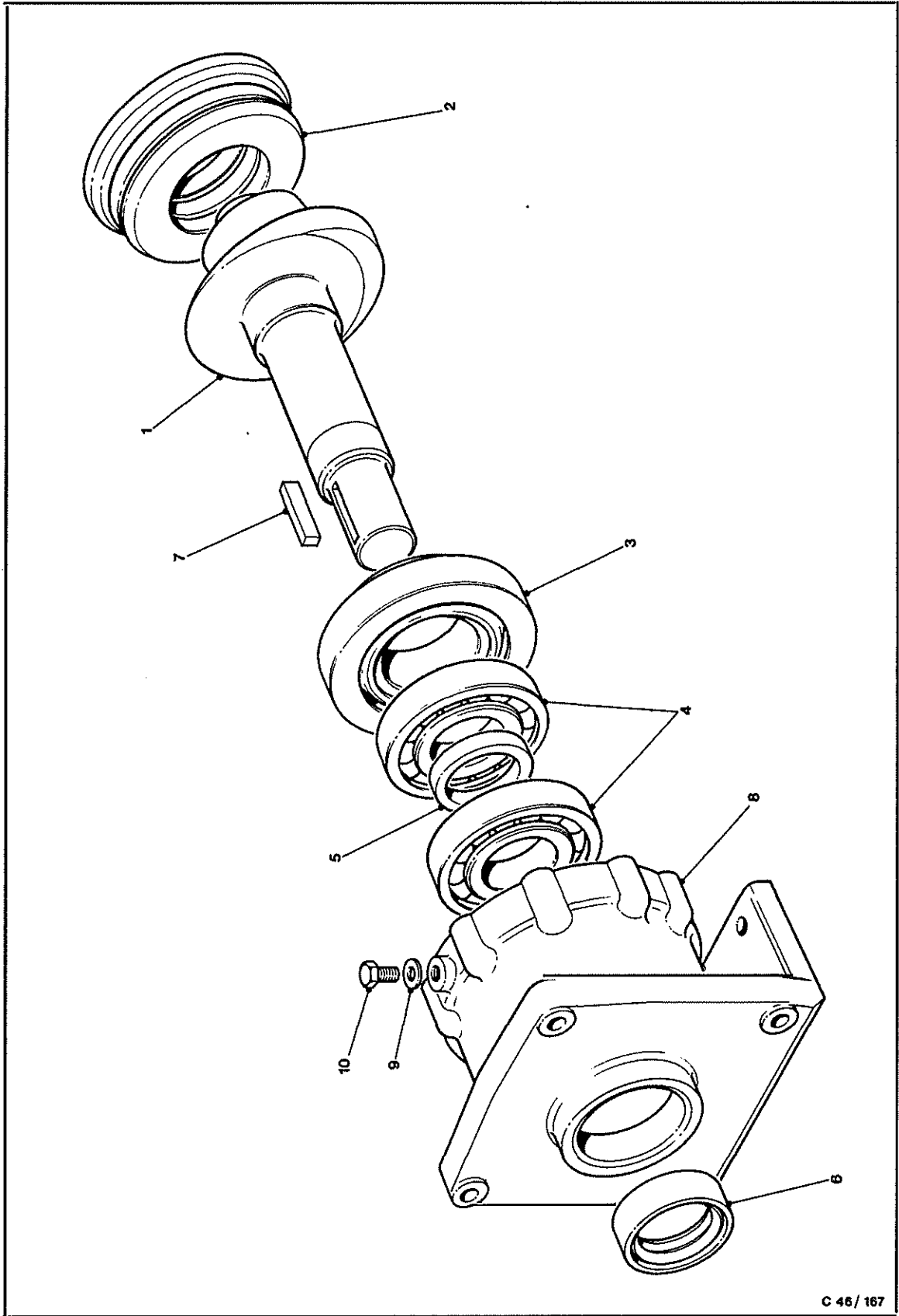
Fig 32 Load hook

544

FIG ITEM	MAN CODE NAVY - N ARMY - A RAF - R	NATO STOCK NUMBER	ITEM NAME AND DESCRIPTION	PART NO./ DRAWING NO.	NO. OFF	ANNOTATIONS
Fig 32						
1-9		NP	CRANE - contd			
1	A	8REAT 4030-99-752-1396	..LOAD HOOK, assy	630295	1	
2-4	A	8REAT 4030-99-838-3484	..LOAD HOOK: c/w pin	821774	1	
5	A	8REAT 5310-99-752-1778	..SAFETY CATCH, HOOK	856048	1	
6	A	8REAT 4030-99-838-3485	..WASHER, FLAT	856059	1	
7	A	G1 5310-99-135-9035	..EYE, SWIVEL	856060	1	
8	A	G1 5315-99-138-2213	..NUT, SLOTTED, HEXAGON, ISO, metric, steel, 24 mm		1	
9	A	8REAT 4030-99-838-3486	..PIN, COTTER, SPLIT, steel, phosphated, 5 mm x 50 mm lg		1	
			..SHACKLE; c/w nut & bolt	812400	1	

527

528



C 46 / 167

Chap 2-13

Fig 33 Wobbl housing

546

FIG ITEM	MAN CODE NAVY - N ARMY - A RAF - R	NATO STOCK NUMBER	ITEM NAME AND DESCRIPTION	PART NO./ DRAWING NO.	NO. OFF	ANNOTATIONS
Fig 33						
1-10	A	7EDT	2590-99-736-1663	CRANE - contd ..WOBBLE HOUSING ASSEMBLY, for 9 cylinder pump	JU39-23	1
3	A	6MT7	3110-99-825-7279	..BEARING, TAPERED ROLLER, 2 in. bore x 4-3/8 in. od x 1-3/16 in. w		1
4	A	6MT7	3110-99-824-5066	..BEARING, BALL, JOURNAL, single row, 1-5/8 in. id x 2-1/2 in. od x 3/4 in. w		1
6	A	6MT1	5330-99-710-0507	..SEAL, PLAIN, rubber, 1-5/8 in. id x 2-3/8 in. od x 3/8 in. w		2
7	A	7EDT	2540-99-834-1482	..KEY, WOBBLE SHAFT	FK1008-13	1
NI	A	7EDT	5365-99-720-9612	..SPACER, RING, steel, 1.625 in. id x 2.0 in. od x 0.4375 in. lg	DP184	1
9	A	7EDT	5310-99-412-4105	..WASHER, copper/asbestos, 9 mm id x 14 mm od x 2 mm thk	WS25	1
10	A	G1	5305-99-136-6252	..SCREW, MACHINE, UNC, steel, hex hd, 5/16 in. x 3/8 in. lg		1
NI	A	G1	5305-99-138-4827	..SCREW, MACHINE, hex hd, steel, hex hd, 4 mm x 10 mm lg		1
NI	A	G1	5305-99-410-0513	..SCREW, MACHINE, UNF, steel, hex hd, 1/4 in. x 3/4 in. lg		1

529

548

530



ARMY EQUIPMENT
SUPPORT PUBLICATION

2320-L-701-711

149

CHAPTER 2-14
WINTERISATION KIT

Dec 88 (Amdt 5)

549

FIG ITEM	MAN CODE NAVY - N ARMY - A RAF - R	NATO STOCK NUMBER	ITEM NAME AND DESCRIPTION	PART NO./ DRAWING NO.	NO. OFF	ANNOTATIONS
NI	A	7BD	NP NP 2540-99-729-3991	WINTERISATION KIT - .CAB HEATING AND DE-ICING ..BATTERY BOX INSTALLATION - ...BATTERY CASING,ASSEMBLY, battery casing heater, casing base and insulation	FV 782180 FV 1078946	
NI	A	7BD	2540-99-785-0980INSULATION,LID,plastazote, triangular shape,312mm lg, 220mm h,25mm thk	FV 1078944	1
NI	A	7BD	2540-99-785-0981INSULATION,LID,plastazote, rectangular shape,657mm lg, 240mm w,25mm thk	FV 1078937	2
NI	A	7BD	2540-99-785-0982INSULATION,LID,plastazote, rectangular shape,657mm lg, 372mm w,25mm thk	FV 1078938	1
NI	A	7BD	2540-99-785-0979HANDLE,GRAB,steel,172mm lg, 41mm h,20mm w	FV 1078939	1
NI	A	G1	5340-99-961-4048HOOK,PLATE,steel,Zn coated, 2 fixing holes	FV 722019	2
NI	A	G1	5320-99-139-1427RIVET,BLIND,Al,3/16in.dia, 0.290in.lg		4
NI	A	7BD	NP 2540-99-729-6658BATTERY HEATER CASE assy -TANK,HEATER,VEHICULAR, copper,264mm w,19.00mm h, 554mm lg,c/w 2 pipes	FV 1078920 FV 1078927	1
NI	A	7BD	2540-99-785-0983INSULATION,HEATER CASE, plastazote,rectangular shape, 555mm lg,43.5mm w,19mm thk	FV 1078922	1
NI	A	7BD	2540-99-785-0984INSULATION,HEATER CASE, plastazote,rectangular shape, 653mm lg,393mm w,12mm thk	FV 1078918	1
NI	A	7BD	2540-99-785-0985INSULATION,HEATER CASE, plastazote,rectangular shape, 393mm lg,49.5mm w,19mm thk	FV 107819	2
NI	A	7BD	2540-99-785-0986INSULATION,HEATER CASE, plastazote,rectangular shape, 393mm lg,27.5mm w, 25mm thk	FV 1078917	2
NI	A	7BD	2540-99-785-0987INSULATION,HEATER CASE, plastazote,rectangular shape, 85.5mm lg,19mm w,12mm thk	FV 1078916	2
NI	A	7BD	2540-99-785-0988INSULATION,HEATER CASE, plastazote,rectangular shape 500mm lg,85.5w,19mm thk	FV 1078921	1
NI	A	KG	9320-99-533-5676RUBBER,SPECIAL SHAPED SECTION, natural,solid,0.250in.dia, w/slot 0.188in.deep	BRS 1217	2
NI	A	7BD	2540-99-785-0989CLAMP,BATTERY,steel,welded assy,603mm lg,242mm w,2 mtg holes	FV 1078910 FV 1078931	1
NI	A	7BD	NP 2540-99-785-0990BATTERY BOX,sub assy -INSULATION,BATTERY BOX, plastazote,rectangular shape, 600 mm lg,275mm w,25mm thk	FV 1078940	1
NI	A	7BD	2540-99-785-0991INSULATION,BATTERY BOX, plastazote,triangular shape, 370mm lg,275mm h,25mm thk	FV 1078942	2
NI	A	7BD	2540-99-785-0993INSULATION,BATTERY BOX, plastazote,triangular shape, 370mm lg,275mm h,25mm thk, 3 holes	FV 1078941	1
NI	A	7BD	5306-99-785-0992BOLT,HOOK,metric,steel,Zn coated,8mm,1.25mm pitch	FV 1078928	2
NI	A	G1	5340-99-117-6712CATCH,TOGGLE LEVER,steel,Zn coated,1-3/16in.o/a lg,w/o hook plate		2
NI	A	6MT1	5325-99-785-0994GROMMET BLANK,NONMETALLIC, PVC,1in.dia.groove,3/32in.w groove,1-1/4 od flange	PV 516	5

FIG ITEM	MAN CODE NAVY - N ARMY - A RAF - R	NATO STOCK NUMBER	ITEM NAME AND DESCRIPTION	PART NO./ DRAWING NO.	NO. OFF	ANNOTATIONS	
NI	A	6MT1	5325-99-785-0995	WINTERISATION KIT - contd .CAB HEATING AND DE-ICING contd ..BATTERY BOX INSTALLATION contdGROMMET,PLASTICS,PVC 1/2in. dia hole,3/4in.od groove, 3/32in.flange thk	PV 74A	1	
NI	A	G1	5306-99-122-5261BOLT,MACHINE,ISO,metric,steel, hex hd,Zn coated 8.00mm x 80.00mm lg		4) Heater) case to) Battery) box
NI	A	G1	5310-99-122-5296NUT,PLAIN,HEXAGON,ISO,metric, steel,Zn coated,8mm		4	
NI	A	G1	5310-99-122-6475WASHER,FLAT,steel,Zn coated, 8mm		10	
NI	A	G1	5310-99-138-9227WASHER,LOCK,steel,Zn coated, split helical ring 8mm		4	
NI	A	6MT4	2540-99-729-6677	..BATTERY VENT,c/w mtg assembly	FV 782174	1	
NI	A	9ACR	2590-99-800-7973FLAME TRAP,BATTERY VENT	FV 586406	1	
NI	A	9ACR	2590-99-800-7975FILTER,FLAME TRAP,BATTERY VENT	FV 586407	1	
NI	A	6MT1	5330-99-943-6628GASKET,rubber and steel, rd shape,1in.od,0.080in.thk	400-011- 4490-02	1	
NI	A	9AHY	5306-99-120-8529BOLT,INTERNALLY RELIEVED BODY,UNF,cres,hex hd, 5/8in. x 1in.lg	FV 586412	1	
NI	A	9AHY	5330-99-801-8841GASKET	FV 586413	2	
NI	A	G1	5305-99-941-0511SCREW,MACHINE,UNF,steel,hex hd,Zn coated,1/4in. x 1/2in. lg		1	
NI	A	G1	5310-99-941-6654WASHER,LOCK,steel split helical ring,1/4in.		1	
NI	A	G1	5305-99-944-6714SCREW,MACHINE,steel,hex hd, slot drive,Cd plated,No.2 x 1/2in. lg		2) Trap) securing-) trap) mounting
NI	A	G1	5310-99-941-6653WASHER,LOCK,steel,split helical ring,3/16in.		2	
NI	A	G1	5305-99-122-5359SCREW,MACHINE,ISO,metric, steel,hex hd,Zn coated, 6.00mm x 12.00mm lg		2	
NI	A	G1	5310-99-122-5295NUT,PLAIN,HEXAGON,ISO,metric, steel,chamf bearing surface, Zn coated,10mm		2	
NI	A	G1	5310-99-137-9232 WASHER,LOCK,steel,split helical ring,Zn coated,M6		2	
NI	A	G1	5305-99-941-7828SCREW,MACHINE,BA,steel hex hd, slot drive,Cd plated,No.2 x 1-5/8in.lg		2	
NI	A	6MT4	6140-99-729-6676	...LEAD,SECONDARY BATTERY,440mm lg,c/w 2 covers for positive and negative ends	FV 1078948	1	
NI	A	Z1	2590-99-762-4217COVER,BATTERY TERMINAL	FV 580287	2	
NI	A	6MT4	5940-99-193-6330TERMINAL,LUG,brass,lead coated,1-1/4in.w,1-15/16in. lg,negative terminal	B7	1	
NI	A	6MT4	5940-99-193-6329TERMINAL,LUG,bronze,0.763in. max,0.687in.min dia taper, AWG conductor,soldered connections	B8	1	
NI	A	Z1	NP 5820-99-625-8417	...BATTERY VENT,pipe assy -VENT TUBE,BATTERY,battery to tee	FV 782175	2	
NI	A	6MT1	4730-99-801-8722ADAPTOR,TEE,pipe to hose	FV586518-6	1	
NI	A	9AHY	5975-99-803-5158CONDUIT ASSEMBLY,FLEXIBLE ELECTRICAL,w/reinforcement 5/16in.id,15/32in.od,24in.lg nut both ends	FV 602488	1	
NI	A	7BD	6135-99-785-0996	...VENT TUBE,BATTERY,stainless steel,battery interconnecting	FV 586292-6	1	
NI	A	H9	5325-99-652-9318	...GROMMET,RUBBER	FV 1068812/ RB 78	2	

533

FIG ITEM	MAN CODE NAVY - N ARMY - A RAF - R	NATO STOCK NUMBER	ITEM NAME AND DESCRIPTION	PART NO./ DRAWING NO.	NO. OFF	ANNOTATIONS
NI NI	A 7BD	2540-99-729-3997 NP	WINTERISATION KIT - contd ..CAB HEATING AND DE-ICING - contd ..HEAT EXCHANGER, INSTALLATION - ...HEAT EXCHANGER, assembly ...HEATER CASING, BACK, sub assembly	FV 1068771 FV 782210 FV 781836 FV 782205	1 1 2	
NI NI	A G1	5310-99-793-5831 NP	...SUPPORT BRACKET, HEAT EXCHANGER ...NUT, PLAIN, BLIND RIVET, ISO, steel, hex hd, M5 x 0.80 pitch, 3mm panel thk	FV 782209	1	
NI	A	6MT1	9320-99-224-5643 ...TAPE, ADHESIVE, RUBBER, syn rubber, PVC, black, 50mm w, 6mm thk, 10mm roll	FV 782208	1	
NI NI	A G1	5310-99-793-5832 NP	...CASING, MATRIX, FRONT Assy ...NUT, PLAIN, BLIND RIVET, ISO, steel, hex hd, M5 x 0.80 pitch, 1mm panel thk	761-4763 FV 782208	A/R 1	
NI	A	7RU	2540-99-829-0971 ...CORE, HEATER RADIATOR, 125mm w, 374mm lg, 229mm o/a h, 2 tubes for hoses	FV 781870	1	
NI	A	6MT1	4730-99-819-4031 ...PLUG, PIPE, brass, BSPT, 1/8in. thd, sq hd, w/slot, 25/64in. o/a lg	N17-1 FV 781867/2	1 1	
NI NI	A 7RU	2540-99-829-5746 2540-99-829-7180	...BLOWER ASSEMBLY, rh 24v ...SCREEN, SUCTION FAN, 51mm rad dome, 16-26 SWG wire mesh	FV 721692	1	
NI	A	G1	5305-99-122-8664 ...SCREW, MACHINE, ISO, metric, steel, hex hd, Zn plated, 5.00mm x 12.00mm lg		4	
NI	A	G1	5310-99-138-9226 ...WASHER, LOCK, steel, split helical ring, Zn plated, 5.00mm		4	
NI	A	6MT4	6105-99-829-5748 ...MOTOR, DIRECT CURRENT, 24v, clockwise or anti-clockwise rotation	CH 1366-3	1	
NI	A	6MT1	4820-99-632-3462 ...COCK, DRAIN, brass, 1/8in. BSPT, male thd	FV 782169 FV 782206	1 4	
NI	A	G1	5305-99-122-5356 ...BRACKET, HEAT EXCHANGER ...SCREW, MACHINE, ISO, metric, steel, hex hd, Zn plated, 5.00mm x 16.00mm lg		8	
NI	A	G1	5310-99-138-9226 ...WASHER, LOCK, steel, split helical ring, Zn plated, 5.00mm		8	
NI	A	G1	5305-99-977-3261 ...SCREW, TAPPING, THREAD FORMING, steel, pan hd, slot drive, dog point, Zn plated No. 10 x 3/8in. lg		6	
NI	A	G1	5305-99-977-3254 ...SCREW, TAPPING, THREAD FORMING, steel, pan hd, slot drive, dog point, Zn plated No. 8 x 1/4in. lg		10	
NI	A	7BD	4820-99-729-6661 ...VALVE, GATE, ASSEMBLY, c/w male hose connector each end	FV 1068765 FV 1078950	1 1	
NI NI	A 7BD 7RU	4820-99-785-0997 4730-99-829-6316	...VALVE GATE, 1in. assembled ...HOSE END, steel, tube 1.0in. nom bore, 0.75in. lg, 3.0in. o/a lg, 1in. BSPT male	FV 721772	1	
NI	A	7RU	2540-99-819-3597 ...PIPE, STEEL, 1in. nom bore, 1in. BSPT thd 1st end, 1.34in. od, 10 SWG pipe	FV 721699 FV 1068770	1 1	engine end
NI	A	G1	5310-99-793-5831 ...BRACKET ASSY, GATE VALVE ...NUT, PLAIN BLIND RIVET, ISO, steel, hex hd, M5 x 0.80 pitch, 11 SWG panel		3	
NI	A	G1	5305-99-122-5357 ...SCREW, MACHINE, ISO, metric, steel, hex hd, Zn plated, 5.00mm x 20.00mm lg		3	
NI	A	G1	5310-99-138-9227 ...WASHER, LOCK, steel, split helical ring, Zn plated, 5.00mm ...FAN GUARD ASSY	FV 1068771	3 1	

FIG ITEM	MAN CODE NAVY - N ARMY - A RAF - R	NATO STOCK NUMBER	ITEM NAME AND DESCRIPTION	PART NO./ DRAWING NO.	NO. OFF	ANNOTATIONS
NI	A	7BD	4730-99-729-6673	WINTERISATION KIT - contd .CAB HEATING AND DE-ICING - contd ..HEAT EXCHANGER INSTALLATION - contd		
NI	A	7BD	4720-99-785-0998	...CONNECTOR,HOSE,copper,1-1/4in. od x 20 SWG x 70mm lg	FV 1068776	1
NI	A	7BD	4720-99-729-6672	...HOSE,RUBBER,1.25in.id x 4in.lg	FV 781913/9	1
NI	A	7BD	4720-99-729-6671	...HOSE,PREFORMED,rubber,31.75mm id x 285mm o/a lg one leg x 150mm o/a lg other leg	FV 1068774	1
NI	A	6MT1	4730-99-785-0999	...HOSE PREFORMED,rubber 1-1/4in.id	FV 1068773	2
NI	A	6MT1	5340-99-732-2347	..CLAMP,HOSE,stainless chrome steel,32-50mm id	SGT 32-50- 9c6-W2	8
NI	A	G1	5305-99-977-3255	..CLAMP,LOOP,nylon 9.5mm grip dia,5.1mm dia fixing hole	3326	1
NI	A	G1	5305-99-122-5357	..SCREW,TAPPING THREAD FORMING, steel,pan hd,slot drive,dog point,Zn plated,No.8		6
NI	A	G1	5310-99-122-5294	..SCREW,MACHINE,ISO,metric,steel, hex hd,Zn plated,5.00mm x 20mm lg		1
NI	A	G1	5310-99-122-3032	..NUT,PLAIN,HEXAGON,ISO metric, steel,Zn plated,5.00mm		1
NI	A	G1	5310-99-122-3032	..WASHER,FLAT,steel,rd,Zn plated, 5.00mm		2
NI	A	G1	5310-99-138-9226	..WASHER,LOCK,steel,split helical ring,Zn plated,5.00mm		1
NI	A	6MT4	5940-99-729-6674	...TERMINAL,QUICK DISCONNECT, female insulated	PRU 1542	1
NI	A	6MT4	5940-99-729-6675	...TERMINAL,QUICK DISCONNECT, male insulated	PRU 211	1
NI	A	Z42	5970-99-640-1758	...INSULATION SLEEVING,ELECTRICAL, 4.00mm bore,12in.lg,cut from length		A/R
NI	A	7RU	2540-99-819-3586	.NOZZLE,WINDSCREEN HEATING,steel welded assembly	FV 721665	2
NI	A	7BD	2540-99-729-6659	.NOZZLE,SIDE WINDOW HEATING,rh steel welded assembly	FV 1068755	1
NI	A	7BD	2540-99-729-6660	.NOZZLE,SIDE WINDOW HEATING,lh, steel welded assembly	FV 1068756	1
NI	A	7BD	4710-99-729-6662	.PIPE ASSEMBLY,oil cooler outlet	FV 1068780	1
NI	A	7BD	4730-99-785-1000	.PIPE,STEEL,seamless 1-1/4in.od, 16 SWG wall thk,two bends,two brazed clips	FV 782241	1
NI	A	7BD	2590-99-729-6663	.WIRING HARNESS, 3 conductors, c/w 2 male and 3 female quick disconnect terminals	FV 1078960	1
NI	A	6MT4	5940-99-729-6674	..TERMINAL,QUICK DISCONNECT, female insulated	PRU 1542	3
NI	A	6MT4	5940-99-729-6675	..TERMINAL,QUICK DISCONNECT,male insulated	PRU 211	1
NI	A	7BD	2590-99-785-1001	..LEAD,ELECTRICAL,246mm o/a lg, terminal first end; wire second end	FV 1078959	1
NI	A	7RU	5340-99-829-6322	.CLAMP,LOOP,steel,painted,57mm id grip,3/16in.dia fixing hole	FV 721688	6
NI	A	7RU	5340-99-829-6331	.CLAMP,LOOP,steel,painted,130mm o/a lg grip,25mm w grip,3/16in. dia fixing hole	FV 721702	9
NI	A	7BD	5340-99-829-7847	.CLAMP,LOOP,steel,painted,51mm o/a lg,25.5mm w,3/16in.dia fixing hole	FV 781809	4
NI	A	7BD	5340-99-729-6680	.CLAMP,LOOP,steel,18mm grip dia, 36mm o/a lg,5.5mm dia fixing hole	FV 1068766	3
NI	A	7BD	2540-99-785-1002	.CONNECTOR,HOSE,copper,70mm o/a lg,5/8in.od,20 SWG wall thk	FV 782149	1

535

FIG ITEM	MAN CODE NAVY - N ARMY - A RAF - R	NATO STOCK NUMBER	ITEM NAME AND DESCRIPTION	PART NO./ DRAWING NO.	NO. OFF	ANNOTATIONS
NI	A	7BD	4730-99-729-6669			
NI	A	7BD	4730-99-729-6670	FV 1068763	1	
NI	A	7BD	5340-99-785-1003	FV 1068764	1	
NI	A	7BD	4710-99-729-6665	FV 782227	2	
NI	A	7BD	4710-99-729-6666	FV 782238	1	
NI	A	7BD	4720-99-729-6667	FV 782242	1	
NI	A	7BD	4720-99-729-6668	FV 1068762/1	A/R	
NI	A	7BD	4720-99-785-1004	FV 1068762/2	A/R	
NI	A	7BD	4720-99-785-0998	FV 1068762/3	2	
NI	A	6MT4	4720-99-819-3588	FV 781913/9	2	
NI	A	6MT6	4720-99-729-6682	FV 781912/11	5	Tube heater ducting
NI	A	6MT1	4730-99-785-1006	HEH2	3	
NI	A	6MT1	4730-99-533-2960	HC 3610	10	
NI	A	G1	5305-99-122-5356	HC 3605	5	
NI	A	G1	5305-99-135-0463		8	
NI	A	G1	5305-99-122-5360		1	
NI	A	G1	5305-99-122-5283		4	
NI	A	G1	5305-99-135-0422		6	
NI	A	G1	5310-99-135-0755		4	
NI	A	G1	5310-99-122-5294		4	
NI	A	G1	5310-99-122-5295		14	
NI	A	G1	5310-99-138-9225		4	
NI	A	G1	5310-99-138-9226		4	
NI	A	G1	5310-99-137-9232		14	
NI	A	G1	5305-99-122-4165		4	
NI	A	6MT1	5340-99-732-2348		21	
NI	A	6MT4	5930-99-109-5785	3530	1	
NI	A	6MT1	5340-99-732-2347	FV 1068781	A/R	
NI	A	6MT4	5975-99-729-6678	3326	A/R	
				FV7821752	A/R	

FIG ITEM	MAN CODE NAVY - N ARMY - A RAF - R	NATO STOCK NUMBER	ITEM NAME AND DESCRIPTION	PART NO./ DRAWING NO.	NO. OFF	ANNOTATIONS
NI	A 6MT4	5975-99-729-6679	WINTERISATION KIT - contd .CAB HEATING AND DE-ICING - contd			
NI	A 7BD	4730-99-729-6681	.CONDUIT,FLEXIBLE,battery vent pipe,50mm lg	FV 1068812/2	A/R	
NI	A Y3	6145-99-752-2824	.TEE,HOSE,plastics,4mm dia bore x 40mm o/a lg	FV 1078970	A/R	
NI	A Y4	6145-99-752-2836	.WIRE,ELECTRICAL,248/0.0180, copper,glass braid,plastic polychloroprene,red		A/R	
NI		NP	.WIRE,ELECTRICAL,248/0.0180, copper,glass braid,plastic polychloroprene,black		A/R	
NI		NP	.INSTALLATION OF BLINDS AND HATCH INSULATION	FV 782182	1	
NI	A 7BD	2540-99-729-6657	..HATCH INSULATION assembly	FV 781832	1	
NI	A G1	5305-99-977-3265	...SCREW,TAPPING,THREAD FORMING, steel,pan hd,slot drive,dog point,Zn plated,No.10 x 1-1/4in.lg		8	
NI	A G1	5310-99-122-3032	...WASHER,FLAT,steel,Zn plated, 5.00mm		8	
NI	A 7BD	2540-99-729-3992	...BLIND,WINDSCREEN,VEHICULAR; c/w bar,straps and hook	FV 1068757	1	
NI		NP	...BLIND ASSY,WINDSCREEN	FV 782193	1	
NI	A G1	5325-99-947-7157	...FASTENER,SPRING LOADED,non-adjustable,hook type mtg, 3-3/4in.free lg		4	
NI	A 7BD	2540-99-785-1013	...STRAP,WEBBING,nylon,olive drab, 380mm o/a lg,buckle first end, plain strap second end	FV 781911/2	3	
NI	A 6MT1	5340-99-829-2983	...HOOKSUPPORT,steel,nylon dipped, 1/8in.thk,1/2in.w,1in.lg	FV 721819	4	
NI	A G1	5305-99-977-3256	...SCREW,TAPPING,THREAD FORMING, steel,pan hd,slot drive,dog point,Zn plated,No.8 x 5/8in.lg		17	
NI	A 7BD	2540-99-729-3993	..BLIND,SIDE WINDOW,1h assembly; c/w bar,straps and hooks	FV 1068758	1	
NI		NP	...BLIND ASSY,SIDE WINDOW,LH	FV 782207	1	
NI	A G1	5325-99-947-7157	...FASTENER,SPRING LOADED,non-adjustable,hook type mtg, 3-3/4in.free lg		2	
NI	A 7BD	2540-99-785-1020	...MOUNTING,VELCRO assy;comprising; velcro,2 backing strips, 1 metal,1 rubber,670mm lg	FV 782246/6	2	
NI	A 7BD	2540-99-785-1022	...MOUNTING,VELCRO assy;comprising; velcro,2backing strips,1metal, 1 rubber,690mm lg	FV 782246/7	1	
NI	A 6MT1	5340-99-829-2983	...HOOK,SUPPORT,steel,nylon dipped, 1/8in.thk,1/2in.w,1in.lg	FV 721819	2	
NI	A 7BD	2540-99-785-1013	...STRAP,WEBBING,nylon,olive drab, 380mm o/a lg,buckle first end, plain strap second end	FV 781911/2	2	
NI	A G1	5305-99-977-3256	...SCREW,TAPPING,THREAD FORMING, steel,pan hd,slot drive,dog point,Zn plated,No.8 x 5/8in.lg		9	
NI	A G1	5320-99-137-2945	...RIVET,BLIND,A1,universal hd, 1/8in.dia x 3/16in.grip lg		40	
NI	A 7BD	2540-99-729-3994	..BLIND,SIDE WINDOW,rh assembly; c/w bar,straps and hooks	FV 1068759	1	
NI		NP	...BLIND ASSY,SIDE WINDOW,RH	FV 782192	1	
NI	A G1	5325-99-947-7157	...FASTENER,SPRING LOADED,non-adjustable,hook type mtg, 3-3/4in.free lg		2	
NI	A 7BD	2540-99-785-1020	...MOUNTING,VELCRO assy;comprising; velcro,2 backing strips,1 metal, 1 rubber,670mm lg	FV 782246/6	2	
NI	A 7BD	2540-99-785-1022	...MOUNTING,VELCRO assy;comprising; velcro,2 backing strips,1 metal, 1 rubber,690mm lg	FV 782246/7	1	

537



FIG ITEM	MAN CODE NAVY - N ARMY - A RAF - R	NATO STOCK NUMBER	ITEM NAME AND DESCRIPTION	PART NO./ DRAWING NO.	NO. OFF	ANNOTATIONS
NI	A	6MT1	5340-99-829-2983			
			WINTERISATION KIT - contd .INSTALLATION OF BLINDS AND HATCH INSULATION - contd			
			...HOOK,SUPPORT,steel,nylon dipped,1/8in.thk,1/2in.w,1 in. lg	FV 721819	2	
NI	A	7BD	2540-99-785-1013			
			...STRAP,WEBBING,nylon,olive drab, 380mm o.a lg,buckle first end, plain strap second end	FV 781911/2	2	
NI	A	G1	5305-99-977-3256			
			...SCREW,TAPPING,THREAD FORMING, steel,pan hd,slot drive,dog point,Zn plated No.8 x 5/8in. lg		9	
NI	A	G1	5320-99-137-2945			
			...RIVET,BLIND,A1,universal hd, 1/8in.dia x 3/16in.grip lg		40	
NI	A	7BD	2540-99-729-3996			
			..BLIND,CAB REAR WINDOW,c/w bar; straps and hooks	FV 1968761	1	
		NP	...BLIND ASSY,REAR WINDOW	FV 782196	1	
NI	A	G1	5325-99-947-7157			
		FASTENER,SPRING LOADED,non- adjustable,hook type mtg, 3-3/4in.free lg		2	
NI	A	7BD	2540-99-785-1025			
			...MOUNTING,VELCRO assy; comprising;velcro,2 backing strips,1 metal,1 rubber, 480mm lg	FV782246/8	1	
NI	A	7BD	2540-99-785-1032			
			...MOUNTING,VELCRO assy; comprising;velcro,2 backing strips,1 metal, 1 rubber, 746mm lg	FV 782246/9	1	
NI	A	7BD	2540-99-785-1033			
			...MOUNTING,VELCRO assy; comprising;velcro,2 backing strips,1 metal,1 rubber, 290mm lg	FV 782246/ 10	1	
NI	A	7BD	2540-99-785-1034			
			...MOUNTING,VELCRO assy; comprising;velcro,2 backing strips,1 metal,1 rubber, 125mm lg	FV 782246/ 11	1	
NI	A	6MT1	5340-99-829-2983			
			...HOOK,SUPPORT,steel,nylon dipped,1/8in.thk,1/2in.w, 1 in.lg	FV 721819	2	
NI	A	7BD	2540-99-785-1013			
			...STRAP,WEBBING,nylon,olive drab, 380mm o/a lg,buckle first end, plain strap second end	FV 781911/2	2	
NI	A	G1	5305-99-977-3256			
			...SCREW,TAPPING,THREAD FORMING, steel,pan hd,slot drive,dog point,Zn plated No. 8 x 5/8in.lg		9	
NI	A	G1	5320-99-137-2945			
			...RIVET,BLIND,A1,universal hd, 1/8in.dia x 3/16in.grip lg		20	
NI	A	7BD	2540-99-729-3995			
			..BLIND,GRILLE,RADIATOR,c/w bar;straps and hooks	FV 1068760	1	
		NP	...BLIND ASSY,GRILLE	FV 782183	1	
NI	A	G1	5325-99-947-7157			
		FASTENER,SPRING LOADED,non- adjustable,hook type mtg, 3-3/4in.free lg		3	
NI	A	7BD	2540-99-785-1035			
			...MOUNTING,VELCRO assy; comprising;velcro,2 backing strips,1 metal,1 rubber, 175mm lg	FV 782246/5	4	
NI	A	6MT1	5340-99-829-2983			
			...HOOK,SUPPORT,steel,nylon dipped,1/8in.thk,1/2in.w, 1in.lg	FV 721819	3	
NI	A	7BD	2540-99-785-1013			
			...STRAP,WEBBING,nylon,olive drab,380mm o/a lg,buckle first end,plain strap second end	FV 718911/2	2	

FIG ITEM	MAN CODE NAVY - N ARMY - A RAF - R	NATO STOCK NUMBER	ITEM NAME AND DESCRIPTION	PART NO./ DRAWING NO.	NO. OFF	ANNOTATIONS
NI	A	G1	5305-99-977-3256			
			WINTERISATION KIT - contd .INSTALLATION OF BLINDS AND HATCH INSULATION - contd			
			...SCREW,TAPPING,THREAD FORMING, steel,pan hd,slot drive, dog point,Zn plated, No. 8 x 5/8in.lg		13	
NI	A	G1	5320-99-137-2945			
			...RIVET,BLIND,Al,universal hd, 1/8in.dia x 3/16in.grip lg		16	
NI	A	6MT14	2610-12-174-7992			
			..INNER TUBE,PNEUMATIC TYRE, commercial type,14.00 x 15.5/80-20 : 140 D5/B valve	2059-1338	4	
NI	A	6MT14	2540-99-839-3710	TRM20-12	960	
NI	A	6MT11	2540-99-839-5134			
			..STUD,TYRE,12mm od; 20mm lg ..CHAIN ASSEMBLY,TYRE,for 15.5/80-20 size tyres, 8mm w side chain x 3010mm lg	15.5/80-20	4	

539

1

015

558

CHAPTER 3

INDEX OF NATO STOCK NUMBERS

149

Issued Nov 1983

559

549

560

CHAPTER 3

INDEX OF NATO STOCK NUMBERS

545

Issued Nov 1983

561

NATO Stock No./ Catalogue No.	Chapter, Page and Fig-Item No.	NATO Stock No./ Catalogue No.	Chapter, Page and Fig-Item No.	NATO Stock No./ Catalogue No.	Chapter, Page and Fig-Item No.
4730-00-014-2433	2-5.16	5330-99-130-3087	2-13.9-3	5315-99-139-0628	2-1.4A-22
4730-00-044-4692	2-6.21-2	2590-99-132-0725	2-9.11-1	5310-99-139-0629	2-1.11-18
4730-00-044-4692	2-6.28	2590-99-132-0726	2-9.11-6	5306-99-139-1241	2-8.2-4
2640-00-050-1229	2-5.35	5310-99-132-9993	2-1.17	5306-99-139-1241	2-8.4-5
2640-00-052-0944	2-5.35	2590-99-135-0423	2-9.16-11	5305-99-139-2192	2-1.40-6
5305-00-206-0112	2-5.13-34	5310-99-135-4687	2-1.22-14	5305-99-139-2489	2-9.8
5307-00-241-7318	2-5.14	5310-99-136-1517	2-5.19-9	5305-99-139-2489	2-9.8-38
5307-00-241-7318	2-5.16	5340-99-136-2489	2-7-2.2	5310-99-139-3611	2-13.32-12
5306-00-262-9619	2-5.16-24	5340-99-136-2490	2-7-2.2	5310-99-139-3626	2-13.7-2
5305-00-270-7328	2-5.16-21	5310-99-136-3234	2-1.42-8	5310-99-139-4348	2-5.19-1
5310-00-275-6635	2-5.16	5306-99-136-3952	2-5.22-8	5310-99-139-4348	2-5.29-1
5330-00-353-2626	2-5.14-91	5310-99-136-4733	2-1.43	5310-99-139-4349	2-5.19-2
5330-00-353-2626	2-5.14-93	5307-99-136-5409	2-1.3-25	5310-99-139-4349	2-5.29-2
5330-00-579-8156	2-11.6	5330-99-136-5410	2-1.3-27	5307-99-139-4350	2-5.19-14
2520-00-615-6763	2-5.16-19	5310-99-136-5411	2-1.3-28	5307-99-139-4350	2-5.29-14
5330-00-741-2203	2-5.16	5310-99-136-5413	2-1.11-24	5310-99-139-4352	2-5.20-30
5365-12-124-0901	2-11.12-7	5306-99-136-5426	2-1.22-3	5310-99-139-4352	2-5.20-34
4730-12-145-1596	2-13.14-24	5340-99-136-6205	2-10.11	5310-99-139-4352	2-5.30-30
5310-12-148-9241	2-13.31-4	5340-99-136-6205	2-10.19	5310-99-139-4352	2-5.30-34
2610-12-174-7992	2-14.7	5340-99-136-6205	2-7-2.4	5307-99-139-4354	2-5.20-37
2610-12-174-7992	2-5.35	5305-99-136-6253	2-13.25-27	5307-99-139-4354	2-5.30-38
5306-12-184-8369	2-13.5-40	5310-99-136-7576	2-1.43-54	5305-99-139-4355	2-5.26-13
-91-059-787	2-5.2-22	5310-99-136-7577	2-1.42-26	5305-99-139-4355	2-5.33-13
6145-99-015-1817	2-10.13	5310-99-136-7577	2-1.42-4	3120-99-139-4356	2-5.26-24
6145-99-015-1817	2-10.14	5306-99-137-0586	2-1.44-15	3120-99-139-4356	2-5.34-28
6145-99-015-1817	2-10.15	5307-99-137-0747	2-1.46-5	5306-99-139-4359	2-5.21-11
6145-99-015-1817	2-10.18	5365-99-137-0920	2-12.6-19	5306-99-139-4359	2-5.21-18
6145-99-015-1818	2-10.13	5310-99-137-1027	2-6.10-6	5307-99-139-4360	2-5.22-1
6145-99-015-1818	2-10.14	5365-99-137-1834	2-1.30-47	5307-99-139-4361	2-5.22-17
6145-99-015-1818	2-10.15	5365-99-137-1835	2-1.30-47	5310-99-139-4363	2-5.24-4
5975-99-034-2705	2-10.19	5365-99-137-1836	2-1.30-47	5310-99-139-4363	2-5.31-4
5310-99-100-0157	2-11.2-51	5365-99-137-1837	2-1.30-47	5310-99-139-4365	2-5.26-16
5365-99-101-2615	2-13.13-8	5365-99-137-1838	2-1.30-47	5310-99-139-4365	2-5.33-16
5330-99-101-3064	2-11.2-41	5365-99-137-1839	2-1.30-47	5305-99-139-4824	2-12.1-14
3120-99-101-4139	2-1.45-5	5365-99-137-1947	2-1.30-47	5305-99-139-4824	2-12.3-9
5330-99-101-6612	2-10.19	5305-99-137-1955	2-12.1-27	5306-99-139-4825	2-12.3-22
5975-99-104-7713	2-10.18	5310-99-137-1988	2-9.15	5310-99-139-5237	2-9.24
5940-99-105-0963	2-10.17	5340-99-137-1993	2-9.11-3	5307-99-139-5242	2-1.3-26
6145-99-105-1817	2-10.15	5310-99-137-2063	2-2.1-11	5306-99-139-5243	2-1.12
6145-99-105-1817	2-10.15	5310-99-137-2397	2-1.44-8	5310-99-139-5268	2-13.13-4
5940-99-105-9100	2-10.14	5310-99-137-5921	2-9.6	5310-99-139-5544	2-1.22-4
5975-99-105-9103	2-10.13	5310-99-137-6213	2-9.14-29	2590-99-139-7149	2-13.31-5
4975-99-105-9103	2-10.14	5310-99-137-6213	2-9.18-17	2590-99-139-7149	2-13.32-13
5975-99-105-9103	2-10.16	5310-99-137-6213	2-9.7	5315-99-139-8416	2-5.4-5
5930-99-109-5785	2-14.5	5305-99-137-6571	2-9.7-8	5315-99-139-8416	2-5.6-18
5940-99-110-4853	2-10.16	5310-99-137-6639	2-8.3-6	5315-99-139-8417	2-5.6-16
5940-99-110-6345	2-10.13	5310-99-137-6639	2-8.5-6	5315-99-139-8418	2-5.9-5
5310-99-112-7696	2-1.32-77	5310-99-137-6651	2-9.8	5310-99-139-8896	2-9.18-26
4730-99-112-7701	2-1.25-52	5310-99-137-8017	2-6.11-12	5306-99-139-8897	2-9.2
6145-99-114-6741	2-10.16	5310-99-137-8017	2-6.19	5305-99-139-9071	2-9.18-18
5330-99-115-2667	2-1.46-2	5310-99-137-8017	2-6.27	5940-99-193-6329	2-10.16
5330-99-119-1128	2-12.7-35	5310-99-137-8017	2-6.32	5940-99-193-6329	2-14.2
5340-99-119-6087	2-7-2.4	5310-99-137-8017	2-6.33	5940-99-193-6330	2-10.16
5340-99-120-0636	2-10.11	5310-99-137-8017	2-6.4-15	5940-99-193-6330	2-14.2
5340-99-120-0636	2-10.19	5310-99-137-8017	2-9.2	2910-99-201-4111	2-1.33
5340-99-120-0637	2-10.19	5310-99-137-8017	2-9.27-3	4320-99-201-8942	2-1.44-4
5310-99-120-2394	2-11.3-63	5310-99-137-8017	2-9.27-9	4030-99-201-9239	2-7-1.1-3
5310-99-120-2394	2-11.3-73	5310-99-138-4313	2-12.2-3	4030-99-201-9239	2-7-2.1
5310-99-120-2394	2-11.4-114	5310-99-138-7021	2-1.27-2	5310-99-202-0517	2-1.40-47
5306-99-120-8529	2-14.2	5310-99-138-8204	2-1.25-59	5310-99-202-8413	2-1.42-7
5306-99-123-3910	2-5.17	5306-99-139-0624	2-1.5-8	5310-99-202-8413	2-1.43-38
5330-99-124-2507	2-6.10	5310-99-139-0625	2-1.5-9	5310-99-202-8413	2-1.43-52

445

NATO Stock No./ Catalogue No.	Chapter, Page and Fig-Item No.	NATO Stock No./ Catalogue No.	Chapter, Page and Fig-Item No.	NATO Stock No./ Catalogue No.	Chapter, Page and Fig-Item No.
2990-99-202-8474	2-1.17-22	2910-99-209-1259	2-1.24-36	5330-99-450-5092	2-12.8
2990-99-202-8499	2-1.17-2	2910-99-209-1260	2-1.24-36	5365-99-524-4451	2-1.40-30
3120-99-202-9087	2-5.20-29	2910-99-209-1261	2-1.24-36	1440-99-527-2723	2-1.44-3
3120-99-202-9087	2-5.30-29	2910-99-209-1262	2-1.24-36	3120-99-528-1827	2-13.23-3
2520-99-202-9088	2-5.20-28	2910-99-209-1266	2-1.31-66	5365-99-528-1842	2-11.2-46
2520-99-202-9088	2-5.30-28	2910-99-209-1563	2-1.25-38	4030-99-533-0260	2-11.4
5330-99-202-9107	2-5.26-17	2910-99-209-1565	2-1.25-37	4730-99-533-2956	2-5.30
5330-99-202-9107	2-5.33-17	2910-99-209-1939	2-1.24-36	4730-99-533-2960	2-14.5
5330-99-202-9804	2-12.6-5	2910-99-209-1940	2-1.24-36	4730-99-533-2961	2-9.14-1
5330-99-202-9804	2-12.8	2910-99-209-1941	2-1.24-36	4730-99-533-2968	2-1.50-4
3120-99-203-0948	2-5.24-11	2910-99-209-1942	2-1.24-36	4730-99-533-2970	2-1.51-14
3120-99-203-0948	2-5.24-6	2910-99-209-1943	2-1.25-36	4730-99-533-2971	2-1.50-10
5310-99-203-0952	2-5.25	2910-99-209-1944	2-1.25-36	4730-99-533-2973	2-11.2-2
2910-99-205-6343	2-1.23-13	5360-99-209-9300	2-1.29-20	9320-99-533-5676	2-14.1
2910-99-205-6389	2-1.31-67	5940-99-209-9433	2-1.43-31	5330-99-534-4406	2-6.30
2910-99-205-6390	2-1.31-68	6240-99-209-9882	2-10.8-19	4820-99-534-5171	2-12.6-16
5305-99-205-7036	2-1.31-52	5365-99-212-6510	2-13.28-14	2520-99-536-6629	2-5.9-24
5315-99-205-7226	2-1.31-57	5335-99-214-1237	2-1.29-22	4730-99-539-7272	2-1.51-11
2815-99-205-8459	2-1.45-10	2910-99-214-1846	2-1.25-47	5330-99-540-7116	2-12.1-4
3120-99-205-9547	2-5.10-40	2920-99-214-2470	2-1.42-19	4820-99-543-9720	2-10.1-15
4730-99-205-9563	2-5.2-26	2530-99-214-3745	2-6.25	5310-99-544-2330	2-10.19
4730-99-205-9563	2-5.2-4	5365-99-214-7929	2-1.27-8	5360-99-548-1441	2-11.3-88
5360-99-205-9568	2-5.10-41	5330-99-214-7940	2-1.27-27	5340-99-560-6693	2-1.8
5360-99-206-0703	2-1.46-20	5360-99-214-8202	2-1.31-55	5330-99-618-3072	2-12.10
5940-99-207-3073	2-10.17	2910-99-214-8209	2-1.31-61	6140-99-620-0234	2-10.10
4310-99-207-3238	2-1.46-4	9320-99-224-5643	2-14.3	4935-99-620-4051	2-7-2.1
4329-99-207-7083	2-12.3-6	5365-99-301-8006	2-11.10-30	5330-99-624-6296	2-1.13
4730-99-207-8122	2-12.8-10	5310-99-333-2253	2-1.23-23	6145-99-625-6323	2-10.13
4730-99-207-8124	2-12.8-15	5310-99-333-2253	2-1.27-18	6145-99-625-6323	2-10.14
4730-99-207-8125	2-12.8-12	5310-99-333-2253	2-1.30-33	6145-99-625-6323	2-10.15
4730-99-207-8127	2-12.8-9	5310-99-333-2253	2-1.31-70	6145-99-625-7664	2-10.15
4720-99-207-8128	2-12.8-11	5310-99-333-2253	2-1.32-80	6145-99-625-7665	2-10.16
3825-99-207-8132	2-12.5-1-9	5310-99-333-2253	2-1.32-83	6145-99-625-7665	2-10.16
3825-99-207-8132	2-13.26-1-1	5310-99-400-5115	2-6.32	6145-99-625-7665	2-10.17
	1	5310-99-400-9556	2-10.1	6145-99-625-7665	2-10.18
3825-99-207-8134	2-12.5-3	5310-99-400-9556	2-10.1	5820-99-625-8417	2-14.2
4810-99-207-8389	2-12.8-14	5365-99-404-9910	2-13.24-13	7025-99-627-8651	2-10.17
6220-99-207-8391	2-12.8-8	6220-99-408-2259	2-10.7-1	6145-99-628-3639	2-10.13
3825-99-208-9237	2-12.8-13	5330-99-408-4667	2-11.3-78	6145-99-628-3639	2-10.14
3825-99-208-9415	2-12.1-17	5330-99-408-4881	2-11.2-31	6145-99-628-3639	2-10.15
3825-99-208-9415	2-12.4-9	5330-99-408-4987	2-12.9-18	6145-99-628-3639	2-10.17
3825-99-208-9415	2-12.5-7	5330-99-408-5718	2-12.6-12	6110-99-631-9299	2-1.42
3825-99-208-9415	2-13.24-16	5330-99-408-5718	2-12.8	2920-99-631-9516	2-1.43-37
3825-99-208-9415	2-13.25-30	5330-99-408-5718	2-13.24-19	4820-99-632-3462	2-14.3
3825-99-208-9415	2-13.26-7	3120-99-410-9795	2-5.26-5	5910-99-634-2928	2-9.18
3825-99-208-9415	2-13.27-17	3120-99-410-9795	2-5.33-5	5970-99-640-1755	2-10.14
3825-99-208-9415	2-13.27-9	5310-99-412-4105	2-12.1-2	5970-99-640-1757	2-10.14
3825-99-208-9418	2-12.5-6	5310-99-412-4105	2-13.24-8	5970-99-640-1758	2-14.4
3852-99-208-9418	2-13.26-6	5310-99-412-4105	2-13.35-9	5325-99-652-9318	2-14.2
5330-99-208-9419	2-13.26-5	5330-99-412-4106	2-12.7-28	6145-99-661-2556	2-10.17
5307-99-209-1035	2-1.25-55	2590-99-412-4244	2-12.5-2	5330-99-710-0507	2-13.24-5
5310-99-209-1036	2-1.29-31	5360-99-412-4244	2-13.26-2	5330-99-710-0507	2-13.35-6
5365-99-209-1037	2-1.28-42	4730-99-412-4321	2-12.3-15	5310-99-710-2146	2-1.33
5310-99-209-1038	2-1.25-48	4730-99-412-4321	2-12.7-30	5330-99-710-4701	2-12.4-2
2910-99-209-1041	2-1.24-36	2590-99-412-4322	2-12.10	5330-99-710-4701	2-12.8
2910-99-209-1236	2-1.24-36	5320-99-417-7247	2-9.3	5330-99-714-3018	2-12.5-5
2910-99-209-1237	2-1.24-36	5310-99-417-9291	2-1.38-27	4720-99-717-7689	2-9.17-16
2910-99-209-1238	2-1.24-36	5365-99-428-0236	2-6.32	4730-99-720-9574	2-13.21
2910-99-209-1255	2-1.24-36	6610-99-433-7720	2-1.24-34	5330-99-720-9576	2-13.21
2910-99-209-1256	2-1.24-36	4320-99-449-6126	2-12.3-3	5330-99-720-9577	2-13.21
2910-99-209-1257	2-1.24-36	5360-99-449-6138	2-13.27-21	5330-99-720-9578	2-13.21
2910-99-209-1258	2-1.24-36	5330-99-450-5092	2-12.6-2	4730-99-720-9579	2-13.21

545

NATO Stock No./ Catalogue No.	Chapter, Page and Fig-Item No.	NATO Stock No./ Catalogue No.	Chapter, Page and Fig-Item No.	NATO Stock No./ Catalogue No.	Chapter, Page and Fig-Item No.
4730-99-720-9580	2-13.21	2815-99-740-8036	2-1.4	3120-99-744-6346	2-11.12-10
5330-99-720-9581	2-13.21	5365-99-742-1827	2-11.1	3120-99-744-6346	2-11.12-5
4820-99-720-9582	2-13.8A-1-1 4	5365-99-742-1882	2-11.1	5365-99-744-6347	2-11.12-3
5330-99-720-9584	2-13.8A-5	5365-99-742-1887	2-11.1	5310-99-744-6348	2-11.12-6
5365-99-720-9612	2-13.35	1730-99-742-1935	2-11.3-64	2590-99-744-6350	2-11.12-13
2590-99-721-4533	2-9.17-6	4730-99-742-1935	2-11.3-74	5315-99-744-6351	2-11.11-62
2520-99-721-4571	2-6.5	3120-99-742-1948	2-11.2-45	2590-99-744-7168	2-11.11-50
5310-99-725-7567	2-13.8A	2590-99-742-2152	2-11.3-94	2590-99-744-7171	2-11.11-58
5310-99-725-7568	2-13.8A-7	2590-99-742-2152	2-11.7-1	5310-99-744-7317	2-1.17-19
5310-99-725-7569	2-13.8A-4	2590-99-742-2172	2-11.8	2530-99-744-9228	2-6.8-48
5310-99-725-7570	2-13.8A	2590-99-742-2397	2-11.12-17	5365-99-745-1483	2-11.4-111
5310-99-725-7571	2-13.8A	2590-99-742-2402	2-11.11-61	2590-99-745-1485	2-11.4
2520-99-726-4570	2-6.5	2590-99-742-2418	2-11.11-52	2590-99-745-1485	2-11.4
2520-99-726-4571	2-5.8	5365-99-742-2523	2-11.1	2990-99-745-1553	2-13.30-1
2520-99-726-4572	2-5.8	5330-99-742-2529	2-11.1-10	5315-99-745-1555	2-13.30-6
2540-99-729-3991	2-14.1	5365-99-742-2538	2-11.1	5315-99-745-1555	2-6.7-6
2540-99-729-3992	2-14.6	5365-99-742-2539	2-11.1	5365-99-745-1556	2-13.30-7
2540-99-729-3993	2-14.6	2590-99-742-2690	2-11.8	5365-99-745-1556	2-6.7
2540-99-729-3994	2-14.6	4730-99-742-2702	2-11.2-52	4320-99-745-9259	2-13.27-20
2540-99-729-3995	2-14.7	4730-99-742-2748	2-11.12-18	4320-99-745-9260	2-13.27-16
2540-99-729-3996	2-14.7	2590-99-742-2754	2-11.10-15	5330-99-746-1177	2-1.15-5
2540-99-729-3997	2-14.3	2590-99-742-2754	2-11.10-21	5330-99-746-1178	2-1.16-5
2540-99-729-6657	2-14.6	3120-99-742-2755	2-11.11-47	5365-99-746-1179	2-1.16-6
2540-99-729-6658	2-14.1	5315-99-742-2756	2-11.10-39	4730-99-746-1180	2-1.20
2540-99-729-6659	2-14.4	2590-99-742-2768	2-11.12-2	4730-99-746-1183	2-1.35-9
2540-99-729-6660	2-14.4	2590-99-742-3811	2-11.7	5305-99-746-4659	2-1.29-4
4820-99-729-6661	2-14.3	2910-99-742-6365	2-1.20-3	5999-99-746-6252	2-6.32
4710-99-729-6662	2-14.4	6220-99-742-7868	2-10.11	5340-99-747-8539	2-9.4-26
2590-99-729-6663	2-14.4	2990-99-742-7885	2-1.19	5340-99-747-8540	2-9.4-9
4710-99-729-6665	2-14.5	3020-99-742-7905	2-11.1-19	5340-99-747-8541	2-9.4-4
4710-99-729-6666	2-14.5	5340-99-742-7912	2-11.2-30	5340-99-747-8542	2-9.4-18
4720-99-729-6667	2-14.5	5330-99-743-0970	2-13.13-3	5330-99-747-8543	2-9.20
4720-99-729-6668	2-14.5	3110-99-743-0972	2-13.13-6	5340-99-747-8544	2-9.20
4720-99-729-6668	2-14.5	5310-99-743-0973	2-13.13-4	5340-99-747-8545	2-9.20
4730-99-729-6669	2-14.5	5365-99-743-0974	2-13.13-7	5340-99-747-8546	2-9.20
4730-99-729-6670	2-14.5	5360-99-743-1346	2-11.10-42	5340-99-747-8547	2-9.20
4720-99-729-6671	2-14.4	3020-99-743-5402	2-5.13	5340-99-747-8548	2-9.20
4720-99-729-6672	2-14.4	3020-99-743-5403	2-5.13-9	5310-99-747-8549	2-9.20
4730-99-729-6673	2-14.4	3020-99-743-5404	2-5.13-26	2510-99-747-8554	2-9.5-1
5940-99-729-6674	2-14.4	3020-99-743-5405	2-5.13-19	5340-99-747-8555	2-9.5-2
5940-99-729-6675	2-14.4	5330-99-743-5408	2-5.14-62	2510-99-747-8557	2-9.5-10
6140-99-729-6676	2-14.2	5330-99-743-5408	2-5.15	2510-99-747-8558	2-9.5-9
2540-99-729-6677	2-14.2	5330-99-743-5409	2-5.14	2510-99-747-8559	2-9.10-7
5975-99-729-6678	2-14.5	2520-99-743-5410	2-5.15	5340-99-747-8560	2-9.10-10
5975-99-729-6679	2-14.6	3110-99-743-5412	2-5.13-36	5340-99-747-8561	2-9.10-8
5340-99-729-6680	2-14.4	3110-99-743-5412	2-5.16	5310-99-747-8562	2-9.10-5
4730-99-729-6681	2-14.6	4730-99-743-5413	2-5.13-35	5307-99-747-8566	2-9.10-11
4720-99-729-6682	2-14.5	5315-99-743-5415	2-5.14	5325-99-747-8567	2-9.10
2520-99-729-8392	2-6.2	4730-99-743-5416	2-5.14-101	2520-99-747-8578	2-6.5
5340-99-732-2347	2-14.4	2520-99-743-5420	2-5.13-29	4730-99-747-8579	2-6.11-16
5340-99-732-2347	2-14.5	6220-99-743-7300	2-10.8-9-16	2530-99-747-8580	2-6.8-38
5340-99-732-2348	2-14.5	2530-99-743-8363	2-6.11-7	2590-99-747-8582	2-6.1-24
2590-99-732-9763	2-10.10	4310-99-743-9717	2-1.46-8-22	2590-99-747-8583	2-9.19-6
2590-99-736-1663	2-13.35-1-1 0	5365-99-744-6326	2-11.4-113	2590-99-747-8584	2-9.19-27
4710-99-736-1667	2-13-1	3020-99-744-6328	2-11.1-14	2540-99-747-8588	2-9.24
4710-99-736-1671	2-13-1	5365-99-744-6329	2-11.1-17	2520-99-747-8589	2-6.5
2590-99-736-4250	2-8.1-2	2590-99-744-6331	2-11.2-36	2590-99-747-8590	2-6.5
2590-99-736-4251	2-8.1	5340-99-744-6333	2-11.4	4730-99-747-8591	2-6.11-20
2815-99-740-8033	2-1.4	2590-99-744-6336	2-11.3-85	4730-99-747-8591	2-6.35
5330-99-740-8034	2-1.4	2590-99-744-6337	2-11.4-104	2530-99-747-8592	2-6.8
5330-99-740-8035	2-1.4	2590-99-744-6340	2-11.4-97	2530-99-747-8593	2-6.8
		2590-99-744-6344	2-11.2-56	2530-99-747-8594	2-6.8

549

NATO Stock No./ Catalogue No.	Chapter, Page and Fig-Item No.	NATO Stock No./ Catalogue No.	Chapter, Page and Fig-Item No.	NATO Stock No./ Catalogue No.	Chapter, Page and Fig-Item No.
2530-99-747-8594	2-6.8-52-60	2940-99-748-0378	2-1.54-17	4730-99-748-1836	2-6.29
5340-99-747-8595	2-6.10	2940-99-748-0379	2-1.52	4730-99-748-1836	2-6.32
2590-99-747-8596	2-6.1	2940-99-748-0380	2-1.52	4730-99-748-1836	2-6.34
5310-99-747-8597	2-6.1	5330-99-748-0381	2-1.52	4730-99-748-1837	2-6.20-29
2590-99-747-8598	2-6.7	2990-99-748-0382	2-1.52	4730-99-748-1837	2-6.29
2590-99-747-8599	2-9.19	2940-99-748-0383	2-1.52	4730-99-748-1837	2-6.32
2590-99-747-8600	2-9.19	5340-99-748-0385	2-1.52	4730-99-748-1838	2-6.32
2540-99-747-8601	2-9.24-13	2530-99-748-0430	2-5.22-2	4730-99-748-1840	2-6.33
2540-99-747-9200	2-9.1	2530-99-748-0431	2-5.22	4730-99-748-1841	2-6.33
5325-99-747-9202	2-9.3	5975-99-748-0504	2-10.16	4730-99-748-1842	2-6.33
5325-99-747-9202	2-9.4	5975-99-748-0504	2-10.17	4730-99-748-1844	2-6.20-34
2540-99-747-9203	2-9.3	5940-99-748-0504	2-10.17	4730-99-748-1844	2-6.33
2540-99-747-9203	2-9.4	4720-99-748-1289	2-6.20	4730-99-748-1847	2-6.11-3
2540-99-747-9204	2-9.3	4720-99-748-1289	2-6.3	4730-99-748-1847	2-6.28-20
2540-99-747-9206	2-9.23	4730-99-748-1292	2-6.35	4730-99-748-1847	2-6.33
5324-99-747-9210	2-10.3	4730-99-748-1294	2-6.29	4730-99-748-1848	2-6.11-14
5325-99-747-9210	2-10.6-5	4730-99-748-1294	2-6.30	4730-99-748-1848	2-6.33
2590-99-747-9212	2-10.3-6	4730-99-748-1294	2-6.34	5340-99-748-1904	2-10.19
2590-99-747-9214	2-9.19-14	4730-99-748-1294	2-6.35	5340-99-748-1906	2-10.19
2590-99-747-9215	2-10.2	5310-99-748-1295	2-6.30	5930-99-748-1912	2-10.10
2540-99-747-9216	2-9.21	4730-99-748-1299	2-6.29	4730-99-748-2334	2-6.11-6
5310-99-747-9314	2-9.18-22	5360-99-748-1341	2-6.2-7	4730-99-748-2334	2-6.33
2540-99-747-9315	2-9.17-5	5340-99-748-1345	2-6.2-13	4730-99-748-2335	2-6.11-8
5935-99-747-9317	2-10.13	2520-99-748-1348	2-6.2-20	4730-99-748-2335	2-6.23-11
4730-99-747-9619	2-6.14-13	2520-99-748-1349	2-6.2-19	4730-99-748-2335	2-6.33
4730-99-747-9633	2-6.17	5340-99-748-1350	2-6.2-21	4730-99-748-2336	2-6.33
4730-99-747-9633	2-6.18	2520-99-748-1351	2-5.11-13	5340-99-748-2365	2-6.33
4730-99-747-9633	2-6.24	2520-99-748-1351	2-6.2	5340-99-748-2367	2-6.27-34
4730-99-747-9633	2-6.31	5310-99-748-1355	2-6.2	5340-99-748-2367	2-6.33
2540-99-747-9637	2-9.22	4730-99-748-1361	2-6.3-9	4730-99-748-2373	2-6.34
2510-99-747-9640	2-9.7-2	4730-99-748-1365	2-6.3-16	4730-99-748-2376	2-6.19-7
2540-99-747-9647	2-9.7-27	5340-99-748-1368	2-10.1	4730-99-748-2377	2-6.16-4
5340-99-747-9648	2-9.7	5340-99-748-1368	2-6.3	4730-99-748-2378	2-6.16-3
2540-99-747-9654	2-9.8-39	5330-99-748-1394	2-6.17-4	4730-99-748-2379	2-6.16-10
5330-99-747-9657	2-9.8-44	2530-99-748-1402	2-6.32	4730-99-748-2380	2-6.16-9
2540-99-747-9658	2-9.8-41	2530-99-748-1407	2-6.21-21	4730-99-748-2380	2-6.28-12
2540-99-747-9659	2-9.8	2530-99-748-1407	2-6.32	4730-99-748-2383	2-6.34
2540-99-747-9660	2-9.8	2530-99-748-1418	2-6.20-24-2	4730-99-748-2384	2-6.17-22
5306-99-747-9686	2-8.2		5	4730-99-748-2385	2-6.18-31
5340-99-747-9689	2-8.2-9	2590-99-748-1423	2-10.17	4730-99-748-2386	2-6.17-25
5340-99-747-9689	2-8.4-9	2530-99-748-1423	2-6.20-25	4730-99-748-2386	2-6.34
2540-99-747-9696	2-8.3-3	4730-99-748-1754	2-6.32	4730-99-748-2388	2-6.23-5
2540-99-747-9696	2-8.5-3	4730-99-748-1762	2-6.11-17	4730-99-748-2389	2-6.23-10
2540-99-747-9697	2-8.3-4	4730-99-748-1762	2-6.23-6	4730-99-748-2391	2-6.34
2540-99-747-9697	2-8.5-4	2530-99-748-1766	2-6.28-1-2	4730-99-748-2392	2-6.22-23
5340-99-747-9700	2-1.49-3	2530-99-748-1772	2-6.21-3-4	4730-99-748-2392	2-6.34
5325-99-747-9780	2-10.14	2530-99-748-1773	2-6.21	4730-99-748-2393	2-6.16-12
4730-99-748-0273	2-6.28-19	4730-99-748-1778	2-6.21-13	4730-99-748-2393	2-6.27-31
4730-99-748-0273	2-6.33	2530-99-748-1779	2-6.21-4	4730-99-748-2393	2-6.28-11
5330-99-748-0288	2-9.14-12	2530-99-748-1790	2-6.32	4730-99-748-2393	2-6.28-8
5340-99-748-0291	2-9.14-25	2530-99-748-1800	2-6.20	4730-99-748-2394	2-6.12-5
5306-99-748-0316	2-8.4	4730-99-748-1805	2-6.20-37	4730-99-748-2394	2-6.25-8
5340-99-748-0318	2-1.49-16	4730-99-748-1805	2-6.29	4730-99-748-2394	2-6.35
5365-99-748-0320	2-2.3-17	4730-99-748-1805	2-6.33	4730-99-748-2396	2-6.27-36
5365-99-748-0323	2-2.3-6	4820-99-748-1814	2-6.19-4	4730-99-748-2396	2-6.34
5340-99-748-0345	2-10.19	2530-99-748-1817	2-6.14-1	4730-99-748-2400	2-6.30
4730-99-748-0357	2-1.50-14	2530-99-748-1824	2-6.12	4730-99-748-2400	2-6.34
2940-99-748-0370	2-1.53-5	2530-99-748-1830	2-6.25	4730-99-748-2405	2-6.28-7
2940-99-748-0371	2-1.53-11	2530-99-748-1831	2-6.25	4730-99-748-2405	2-6.35
2940-99-748-0373	2-1.54-1	2530-99-748-1832	2-6.25	4730-99-748-2406	2-6.34
5330-99-748-0375	2-1.54-13	4730-99-748-1835	2-6.29	4730-99-748-2407	2-6.17-28
2940-99-748-0376	2-1.54-8	4730-99-748-1835	2-6.32	4730-99-748-2407	2-6.34

L49

5

NATO Stock No./ Catalogue No.	Chapter, Page and Fig-Item No.	NATO Stock No./ Catalogue No.	Chapter, Page and Fig-Item No.	NATO Stock No./ Catalogue No.	Chapter, Page and Fig-Item No.
4730-99-748-2408	2-6.34	4730-99-749-1000	2-6.18	5340-99-749-1965	2-6.6-16
4730-99-748-2409	2-6.34	4730-99-749-1000	2-6.24	5340-99-749-1966	2-6.6-1
4730-99-748-2410	2-6.34	4730-99-749-1000	2-6.31	2520-99-749-1967	2-5.17
4730-99-748-2411	2-6.34	4730-99-749-1001	2-6.17	2520-99-749-1968	2-5.17
4730-99-748-2415	2-6.12-11	4730-99-749-1001	2-6.18	2520-99-749-1969	2-5.17
4730-99-748-2415	2-6.12-21	4730-99-749-1001	2-6.24	2520-99-749-1970	2-5.17
4730-99-748-2415	2-6.12-8	4730-99-749-1001	2-6.31	2520-99-749-1971	2-5.17
4730-99-748-2415	2-6.13-25	2540-99-749-1043	2-9.1	2510-99-749-1976	2-9.25-6
4730-99-748-2416	2-6.12-14	2540-99-749-1044	2-9.1	2510-99-749-1977	2-9.25-5
4730-99-748-2416	2-6.13-23	5325-99-749-1045	2-9.1	4710-99-749-1990	2-9.27-1
4730-99-748-2417	2-6.14-5	5325-99-749-1046	2-9.1	4710-99-749-1990	2-9.27-2
4730-99-748-2417	2-6.23-12	5325-99-749-1046	2-9.3	2510-99-749-1995	2-9.28-1
4730-99-748-2417	2-6.25-9	5325-99-749-1046	2-9.4	2510-99-749-1998	2-9.28-25
4730-99-748-2418	2-6.16-5	2510-99-749-1047	2-9.3	5315-99-749-1999	2-9.28-2
4730-99-748-2419	2-6.12-12	2510-99-749-1047	2-9.4	2540-99-749-2004	2-13.19
4730-99-748-2419	2-6.12-6	2540-99-749-1048	2-9.3	2540-99-749-2006	2-9.29-15
4730-99-748-2419	2-6.12-9	2540-99-749-1048	2-9.4	5360-99-749-2007	2-9.29-5
4730-99-748-2419	2-6.16-2	2540-99-749-1049	2-9.3	5340-99-749-2008	2-13.19
4730-99-748-2419	2-6.26-28	2540-99-749-1050	2-9.3	5340-99-749-2008	2-9.29-9
4730-99-748-2419	2-6.28-9	2540-99-749-1052	2-9.23-5	5310-99-749-2009	2-13.19
4730-99-748-2422	2-6.23-2	2540-99-749-1053	2-9.23-3	5310-99-749-2009	2-9.29-12
4730-99-748-2423	2-6.21-19	2510-99-749-1057	2-10.2	2590-99-749-2012	2-9.1
2530-99-748-2424	2-6.34	2540-99-749-1063	2-10.3-11	2590-99-749-2013	2-9.1
4730-99-748-2425	2-6.19-13	5325-99-749-1067	2-9.19-15	2590-99-749-2014	2-9.1
4730-99-748-2425	2-6.34	5325-99-749-1068	2-9.19-16	2510-99-749-2016	2-9.3
2550-99-748-2427	2-6.19-15	2590-99-749-1070	2-10.2	2510-99-749-2019	2-9.3
2530-99-748-2427	2-6.35	2590-99-749-1071	2-10.2	2510-99-749-2020	2-9.4-6
6350-99-748-2455	2-10.4-18	5310-99-749-1072	2-9.21	5340-99-749-2021	2-9.3
2590-99-748-2473	2-10.5-2	2540-99-749-1073	2-9.21	5340-99-749-2022	2-9.4-7
2590-99-748-2474	2-10.5-1	2540-99-749-1075	2-9.21	5330-99-749-2030	2-9.4-16
5930-99-748-2475	2-10.3-21	5310-99-749-1076	2-9.22	2540-99-749-2031	2-9.4-17
2590-99-748-2480	2-10.2-22	2510-99-749-1079	2-9.7	2510-99-749-2031	2-9.7
2590-99-748-2484	2-10.11	5340-99-749-1928	2-6.35	2510-99-749-2033	2-9.7-3
2590-99-748-2486	2-10.11	4730-99-749-1929	2-6.25-15	5310-99-749-2034	2-9.7
6220-99-748-2493	2-10.8-17-2 3	4730-99-749-1930	2-6.22	2510-99-749-2035	2-9.7-6
2590-99-748-2509	2-10.11	4730-99-749-1930	2-6.26-26	2510-99-749-2036	2-9.9-46
2540-99-748-2943	2-8.3	4730-99-749-1931	2-6.22-24-2 5	2540-99-749-2037	2-9.7-33
2540-99-748-2943	2-8.5	4730-99-749-1931	2-6.25-16	2540-99-749-2038	2-9.7-31
5306-99-748-2954	2-10.10	4710-99-749-1932	2-6.26-24	2510-99-749-2039	2-9.7
5340-99-748-2956	2-10.10	4710-99-749-1932	2-6.27-37	2540-99-749-2041	2-9.8
2540-99-748-2957	2-10.10	4730-99-749-1935	2-6.30	2540-99-749-2043	2-9.7-11
5340-99-748-2962	2-10.11	4730-99-749-1938	2-6.30	2540-99-749-2044	2-9.7-14
5325-99-748-2963	2-10.11	4730-99-749-1939	2-6.30	5330-99-749-2046	2-9.9
5340-99-748-2964	2-10.11	4730-99-749-1940	2-6.29	2510-99-749-2047	2-9.8-43
5340-99-748-2964	2-10.19	4730-99-749-1941	2-6.29	2540-99-749-2048	2-9.8
5325-99-748-2965	2-10.11	4720-99-749-1943	2-6.10-54	2540-99-749-2049	2-9.8
4730-99-748-6570	2-6.29	4730-99-749-1944	2-6.29	2540-99-749-2050	2-9.8
4730-99-748-6577	2-6.29	4730-99-749-1945	2-6.29	2540-99-749-2051	2-9.8
4730-99-748-6626	2-6.18-33	4730-99-749-1946	2-6.29	2540-99-749-2052	2-9.8
4730-99-748-6627	2-6.34	2530-99-749-1949	2-6.8-44	2510-99-749-2054	2-9.8
4730-99-748-6628	2-6.14-7	2530-99-749-1950	2-6.10-1-7	2540-99-749-2055	2-9.8
4730-99-748-6628	2-6.23-7	2530-99-749-1951	2-6.10-5	2540-99-749-2056	2-9.8
4730-99-748-6628	2-6.34	4730-99-749-1954	2-6.10-34	2540-99-749-2057	2-9.9
4730-99-748-6629	2-6.21-17	4730-99-749-1955	2-6.10-33	5310-99-749-2061	2-9.11-19
4730-99-748-6629	2-6.23-8	4730-99-749-1956	2-6.10-32	4730-99-749-2063	2-9.14-19
4730-99-748-6629	2-6.28-13	4730-99-749-1957	2-6.10-35	5340-99-749-2064	2-9.14-35
5340-99-748-6778	2-10.11	2590-99-749-1960	2-6.1-2	2540-99-749-2065	2-9.11-12
5340-99-748-6778	2-10.19	2590-99-749-1961	2-6.1	2540-99-749-2066	2-9.11-10
5340-99-748-6781	2-10.11	5340-99-749-1962	2-6.1-27	2540-99-749-2068	2-9.14-13
5340-99-748-6781	2-10.19	5360-99-749-1963	2-6.1	2540-99-749-2172	2-13.24-1-3 1
4730-99-749-1000	2-6.17	5340-99-749-1964	2-6.7-5	2540-99-749-2176	2-13.24-15

845

NATO Stock No./ Catalogue No.	Chapter, Page and Fig-Item No.	NATO Stock No./ Catalogue No.	Chapter, Page and Fig-Item No.	NATO Stock No./ Catalogue No.	Chapter, Page and Fig-Item No.
3020-99-749-2178	2-13.24-23	2510-99-749-3618	2-7-3.2-12	2590-99-749-8664	2-6.5-23-24
3020-99-749-2179	2-12.1-21	2520-99-749-3619	2-12.2-7	2590-99-749-8665	2-6.5
3020-99-749-2179	2-13.24-24	2520-99-749-3619	2-13.23-7	2590-99-749-8666	2-6.5
5330-99-749-2180	2-13.22-7	3040-99-749-3625	2-12.1-22	2590-99-749-8667	2-6.5
5330-99-749-2181	2-13.22-8	5365-99-749-3627	2-12.1-25	2590-99-749-8668	2-6.5-12
2520-99-749-2182	2-13.23-1-9	4320-99-749-3629	2-12.3-14	2590-99-749-8669	2-6.5
2520-99-749-2183	2-12.2-9	5360-99-749-3630	2-12.3-11	2590-99-749-8670	2-6.5-3
2520-99-749-2183	2-13.23-9	2520-99-749-3643	2-13.22-2	2530-99-749-8671	2-6.8
3020-99-749-2184	2-12.2-8	6680-99-749-6543	2-1.55	2530-99-749-8672	2-6.8-6
3020-99-749-2184	2-13.23-8	6680-99-749-6543	2-10.2	2530-99-749-8673	2-6.8-7
3020-99-749-2185	2-13.24-22	3409-99-749-6544	2-10.1	5340-99-749-8674	2-6.8
5330-99-749-3421	2-12.1-28	2510-99-749-6547	2-9.6	5325-99-749-8675	2-6.8
2540-99-749-3464	2-9.14-7	2510-99-749-6548	2-9.6	2530-99-749-8676	2-6.8-40
2540-99-749-3465	2-9.14-6	5306-99-749-6549	2-9.6	2530-99-749-8677	2-6.8-37
2540-99-749-3466	2-9.14-4	5306-99-749-6550	2-9.6	2530-99-749-8678	2-6.8-39
2540-99-749-3467	2-9.14-20	5310-99-749-6552	2-9.6	2530-99-749-8679	2-6.8-41-47
2540-99-749-3468	2-9.14-37	5340-99-749-6553	2-9.6	4730-99-749-9813	2-6.29
2540-99-749-3469	2-9.11-8	2510-99-749-6554	2-9.6	4730-99-749-9814	2-6.29
2540-99-749-3470	2-9.11	2510-99-749-6555	2-9.6	2510-99-749-9822	2-7-1.1-2
2540-99-749-3473	2-9.12-11	5315-99-749-6556	2-9.6	2510-99-749-9823	2-7-1.1-1
2540-99-749-3474	2-9.12-13	5360-99-749-6557	2-9.6	5310-99-749-9824	2-7-1.1
2540-99-749-3475	2-9.11	5360-99-749-6558	2-9.6	5310-99-749-9824	2-7-2.1
2540-99-749-3475	2-9.12-10	2510-99-749-6559	2-9.6	2510-99-749-9825	2-7-1.1-8
2540-99-749-3475	2-9.12-8	2540-99-749-6560	2-8.1-3	2510-99-749-9825	2-7-2.5-30
2540-99-749-3476	2-9.12-1	2540-99-749-6561	2-8.1-4	2510-99-749-9825	2-7-3.2-13
2540-99-749-3477	2-9.12-3	5315-99-749-6571	2-8.6-9	2510-99-749-9826	2-7-1.1
2540-99-749-3478	2-9.12	3010-99-749-6572	2-7-2.5	2510-99-749-9827	2-7-1.1-9
2540-99-749-3479	2-9.12-2	2590-99-749-6573	2-7-2.5-34	2510-99-749-9827	2-7-2.3-25
2540-99-749-3480	2-9.12	2590-99-749-6574	2-7-2.5	2510-99-749-9828	2-7-1.1
2540-99-749-3481	2-9.12-9	2510-99-749-6575	2-9.1	2510-99-749-9828	2-7-2.3
2540-99-749-3482	2-9.15-14	2510-99-749-6576	2-9.1	2510-99-749-9829	2-7-1.1-10
2540-99-749-3483	2-9.15-13	2510-99-749-6577	2-9.1	2510-99-749-9829	2-7-2.3-26
2540-99-749-3488	2-9.15-9	2510-99-749-6578	2-9.1	2510-99-749-9830	2-7-1.2-11
2540-99-749-3489	2-9.15	2510-99-749-6579	2-9.2	2510-99-749-9830	2-7-2.3-27
5355-99-749-3499	2-9.12-4	2510-99-749-6581	2-9.2	2510-99-749-9831	2-7-1.2
2540-99-749-3500	2-9.12-6	2510-99-749-6582	2-9.2	5306-99-749-9832	2-7-1.2
5340-99-749-3502	2-9.11	2510-99-749-6583	2-9.2	5306-99-749-9832	2-7-2.3
5340-99-749-3502	2-9.12-7	2510-99-749-6584	2-9.2	5310-99-749-9833	2-7-1.2
5340-99-749-3503	2-9.11	5310-99-749-6589	2-9.18-12	5310-99-749-9833	2-7-2.3
5340-99-749-3503	2-9.12	5310-99-749-6589	2-9.18-15	2540-99-749-9845	2-7-3.3-22
2540-99-749-3504	2-9.16-1	4720-99-749-7328	2-12.3	3110-99-749-9846	2-12.2-6
5330-99-749-3505	2-9.16-3	4720-99-749-7329	2-12.3	2590-99-750-0013	2-13.12-3-5
2510-99-749-3506	2-9.16-6	4730-99-749-7330	2-12.3	5365-99-750-1003	2-13.33-4
2510-99-749-3507	2-9.16-12	5310-99-749-7334	2-12.6-15	5315-99-750-1004	2-13.33-5
5330-99-749-3508	2-9.16-7	5360-99-749-7335	2-12.6-14	5340-99-750-1011	2-13.31-11
5330-99-749-3513	2-9.16	2520-99-749-7339	2-12.4	2590-99-750-1342	2-13.19-21
2590-99-749-3514	2-10.1	2520-99-749-7341	2-12.4-16	5310-99-750-1343	2-13.19-20
6880-99-749-3515	2-10.1-19	5365-99-749-7342	2-12.4-14	2590-99-750-5136	2-13.11-10
5330-99-749-3518	2-1.55	5310-99-749-7343	2-12.4-15	5365-99-750-6533	2-13.12-19
5330-99-749-3518	2-10.2	2520-99-749-7344	2-12.4-13	2590-99-750-6734	2-13.21-11
6680-99-749-3519	2-1.55	5360-99-749-7345	2-12.4-12	2590-99-750-7432	2-13.29-19
6680-99-749-3519	2-10.2	2520-99-749-7346	2-12.4-11	2590-99-750-7696	2-13.2-23
6680-99-749-3520	2-10.1-14	2520-99-749-7348	2-12.8-4	2590-99-751-0633	2-13-1-4
6680-99-749-3521	2-10.1	4730-99-749-8653	2-6.30	5360-99-751-0649	2-13.13-2
2510-99-749-3604	2-7-3.3	5340-99-749-8654	2-6.30	5365-99-751-1678	2-13.13-8
2540-99-749-3605	2-7-3.3-24	2590-99-749-8656	2-6.30	5305-99-751-1766	2-1.17-8
5340-99-749-3606	2-7-3.3-21	5315-99-749-8657	2-6.30	2590-99-751-1962	2-13-1-1
2510-99-749-3610	2-7-3.2-19	2590-99-749-8658	2-6.5-18	5310-99-751-2285	2-1.22-13
2510-99-749-3611	2-7-3.2-18	2590-99-749-8659	2-6.5-11-13	2590-99-751-2378	2-13-1-3
2510-99-749-3612	2-7-3.1-6	2590-99-749-8660	2-6.5-15	2590-99-751-2661	2-13.32-35
2510-99-749-3615	2-7-3.2-11	2590-99-749-8662	2-6.5-25	2590-99-751-2944	2-13.31-12
2510-99-749-3616	2-7-3.3-23	2590-99-749-8663	2-6.5-29	2590-99-751-3536	2-13.2-22

549

57

NATO Stock No./ Catalogue No.	Chapter, Page and Fig-Item No.	NATO Stock No./ Catalogue No.	Chapter, Page and Fig-Item No.	NATO Stock No./ Catalogue No.	Chapter, Page and Fig-Item No.
4730-99-751-3707	2-13.14-22	2590-99-751-9289	2-13.29-26	4010-99-755-4052	2-7-2.1-7
4730-99-751-3707	2-13.2-18	2590-99-751-9290	2-13.29-27	2510-99-755-4053	2-7-2.1-4
2590-99-751-4033	2-13.19-30	2590-99-751-9291	2-13.29-28	2510-99-755-4055	2-7-2.1-5
2590-99-751-4033	2-13.29-3	2590-99-751-9292	2-13.29-29	2510-99-755-4056	2-7-2.2
5330-99-751-4192	2-13.14-16	2590-99-751-9293	2-13.29-17	2510-99-755-4057	2-7-1.1-7
5365-99-751-4344	2-13.19-19	4710-99-751-9308	2-13.14-20	2510-99-755-4057	2-7-2.2
5365-99-751-4479	2-13.12-14	2590-99-751-9313	2-13.29	2510-99-755-4058	2-7-1.1
5340-99-751-4611	2-13.32-5	4320-99-752-0242	2-13.12-1-2	2510-99-755-4058	2-7-2.3
5310-99-751-5311	2-1.29-18		0	2510-99-755-4059	2-7-2.3
2590-99-751-6312	2-13.29-18	2590-99-752-0416	2-13.19-2-2	2520-99-755-4063	2-5.16
5315-99-751-7283	2-13.33-8		6	2520-99-755-4064	2-5.16
5315-99-751-7284	2-13.32-15-16	2590-99-752-0417	2-13.19	2520-99-755-4065	2-5.16
		4320-99-752-0435	2-13.14-1-2	2520-99-755-4066	2-5.16
			8	2520-99-755-4067	2-5.16
5315-99-751-7285	2-13.32-17	2590-99-752-0777	2-13.28	2590-99-755-5606	2-6.5
5310-99-751-7319	2-1.17-21	2590-99-752-0879	2-13.33-19	2590-99-755-5628	2-12.9-1-9
5305-99-751-7328	2-1.17-23	2590-99-752-1351	2-13.33-12	9905-99-755-5629	2-12.9-3
2590-99-751-8230	2-13.13-1-8	2590-99-752-1352	2-13.33-16	2590-99-755-5630	2-12.9-2
2590-99-751-8270	2-13.12	4030-99-752-1396	2-13.34-1	2590-99-755-5631	2-12.9-7
2590-99-751-8271	2-13.19-9-16	2590-99-752-1777	2-13-1-2	2590-99-755-5632	2-12.9-11
2590-99-751-8600	2-13.3	5310-99-752-1778	2-13.34-5	2590-99-755-5634	2-12.9-13
5315-99-751-8964	2-13.32-10	2590-99-752-1794	2-9.19	2590-99-755-5636	2-12.9-17
2590-99-751-8967	2-13.19-26	2590-99-752-1795	2-13.32-31	2590-99-755-5637	2-12.9-19
2590-99-751-8968	2-13.19-8-12	4730-99-752-1799	2-13.14-25	2530-99-755-5789	2-5.23
		4730-99-752-2537	2-13.11-6	2530-99-755-5790	2-5.23
2590-99-751-8969	2-13.19-29	4730-99-752-2537	2-6.3-15	2590-99-755-5794	2-12.10-24
5340-99-751-8970	2-13.19-27	4730-99-752-2537	2-6.30	2590-99-755-5796	2-12.10-27
2590-99-751-9025	2-13.29-2	2520-99-752-2572	2-5.13-8	4320-99-755-6348	2-12.9-1-29
4710-99-751-9200	2-13.14-23	3110-99-752-2580	2-5.13-25	5365-99-755-7812	2-9.18-8
2590-99-751-9249	2-13.3-2	5330-99-752-2582	2-5.13-30	5310-99-755-7813	2-9.18-11
2590-99-751-9250	2-13.3-3	2520-99-752-2594	2-5.13-37	5310-99-755-7813	2-9.18-14
2590-99-751-9251	2-13.3-4	2530-99-752-2608	2-6.9	5305-99-755-7814	2-9.18-5
2590-99-751-9252	2-13.3-5	2530-99-752-2609	2-6.9	5310-99-755-7815	2-9.18-10
2590-99-751-9257	2-13.32-6	2530-99-752-2610	2-6.9	5940-99-755-7819	2-10.13
2599-99-751-9258	2-13.32-7	2530-99-752-2611	2-6.9	2590-99-755-8207	2-10.15
2590-99-751-9259	2-13.32-8	5340-99-752-2634	2-10.11	5940-99-755-8893	2-10.16
2590-99-751-9260	2-13.32-9	2590-99-752-2641	2-13.11-4	5975-99-755-8894	2-10.16
2590-99-751-9261	2-13.3-7	2590-99-752-2642	2-13-1	5975-99-755-8896	2-10.16
2590-99-751-9262	2-13.3-8	2590-99-752-2642	2-13.11-2	5975-99-755-8898	2-10.16
2590-99-751-9263	2-13.3-6	2590-99-752-2644	2-13.11-3	5940-99-755-8899	2-10.17
2590-99-751-9264	2-13.3-13	2590-99-752-2665	2-6.7	5935-99-755-8902	2-10.17
2590-99-751-9265	2-13.3-9	2590-99-752-2666	2-6.7	5975-99-755-8904	2-10.17
2590-99-751-9266	2-13.3-10	2520-99-752-2714	2-5.14-73	5975-99-755-8906	2-10.6-1-5
2590-99-751-9267	2-13.3-11	2520-99-752-2715	2-5.14-79	5330-99-755-8907	2-10.6-2
2590-99-751-9268	2-13.3	2520-99-752-2716	2-5.14-69	5310-99-755-8908	2-10.6-6
2590-99-751-9269	2-13-2-5	2520-99-752-2718	2-5.13-11	5340-99-755-8911	2-10.19
2590-99-751-9270	2-13-2-2	5340-99-752-2724	2-13.11-7	5340-99-755-8912	2-10.19
2590-99-751-9271	2-13-2-3	2590-99-752-2725	2-13.11-1	5340-99-755-9393	2-10.11
2590-99-751-9272	2-13-2-4	6145-99-752-2824	2-14.6	2520-99-756-0082	2-13.25-29
2590-99-751-9273	2-13-2-1	6145-99-752-2836	2-14.6	5920-99-756-1973	2-10.14
2590-99-751-9274	2-13.3-12	5340-99-752-4104	2-13.31-10	5940-99-756-1974	2-10.14
2590-99-751-9275	2-13-2-8	2590-99-752-4210	2-13.14	5940-99-756-3403	2-10.16
2590-99-751-9276	2-13-2-7	2590-99-752-4220	2-13.29-15	2540-99-756-4040	2-8.6
2590-99-751-9277	2-13-2-11	2590-99-752-4221	2-13.29-14	5307-99-756-4049	2-5.14
2590-99-751-9278	2-13.2-12	5340-99-752-5160	2-9.14-22	5307-99-756-4049	2-5.14-52
2590-99-751-9279	2-13.2-13	5340-99-752-5160	2-9.15	5307-99-756-4049	2-5.16-11
2590-99-751-9280	2-13-2-10	5325-99-752-5162	2-9.9	2520-99-756-4050	2-5.16-5
2590-99-751-9281	2-13-2-9	2530-99-753-9516	2-6.8	2520-99-756-4051	2-5.16-8
2590-99-751-9282	2-13.3-1	2530-99-753-9516	2-6.9	3110-99-756-4052	2-5.16-22
2590-99-751-9283	2-13-2-6	5940-99-755-0297	2-10.13	2520-99-756-4054	2-5.16-4
2590-99-751-9286	2-13.29-24	2510-99-755-4050	2-7-2.1	2520-99-756-4057	2-5.16-20
2590-99-751-9287	2-13.29-25	2510-99-755-4051	2-7-2.1-3	5330-99-756-4063	2-5.16-14

055

NATO Stock No./ Catalogue No.	Chapter, Page and Fig-Item No.	NATO Stock No./ Catalogue No.	Chapter, Page and Fig-item No.	NATO Stock No./ Catalogue No.	Chapter, Page and Fig-Item No.
5330-99-756-4064	2-5.16-18	5305-99-761-7083	2-5.14-99	2540-99-785-0991	2-14.1
2520-99-756-4065	2-5.16-17	2590-99-762-4217	2-14.2	5306-99-785-0992	2-14.1
2520-99-756-4067	2-5.16	5975-99-762-4678	2-10.17	2540-99-785-0993	2-14.1
2520-99-756-4068	2-5.16	5330-99-762-6278	2-10.11	5325-99-785-0994	2-14.1
2520-99-756-4071	2-5.16	2510-99-762-8225	2-7-2.2	5325-99-785-0995	2-14.2
5360-99-756-4072	2-5.16	5307-99-763-0978	2-9.25-9	6135-99-785-0996	2-14.2
2520-99-756-4073	2-5.16	5975-99-763-1514	2-10.15	4720-99-785-0998	2-14.4
2520-99-756-4074	2-5.16	2530-99-763-4548	2-6.28	4720-99-785-0998	2-14.5
4720-99-756-6550	2-6.12	2920-99-763-6022	2-1.33	4730-99-785-0999	2-14.4
4720-99-756-6550	2-6.13	5305-99-764-8303	2-1.36-4	4730-99-785-1000	2-14.4
4720-99-756-6550	2-6.25	2590-99-765-8954	2-10.18	2590-99-785-1001	2-14.4
4720-99-756-6550	2-6.26	2910-99-765-8957	2-13.30	2540-99-785-1002	2-14.4
4720-99-756-6550	2-6.27	2510-99-766-1619	2-9.6	5340-99-785-1003	2-14.5
5307-99-756-7068	2-13.22-6	2510-99-766-1627	2-9.1	4720-99-785-1004	2-14.5
2520-99-756-7317	2-5.16-1	2590-99-767-7211	2-11.1-25	4730-99-785-1006	2-14.5
5360-99-756-7318	2-5.16-23	2590-99-767-8403	2-11.2-43	2540-99-785-1013	2-14.6
4720-99-756-8556	2-6.18	2590-99-767-8404	2-11.11	2540-99-785-1013	2-14.7
4720-99-756-8559	2-6.24	2590-99-767-8405	2-11.11	2540-99-785-1013	2-14.7
4720-99-756-8560	2-6.17	2590-99-767-8406	2-11.11	2540-99-785-1020	2-14.6
4720-99-756-8560	2-6.24	2590-99-767-8407	2-11.11	2540-99-785-1022	2-14.6
4720-99-756-8561	2-6.20	3020-99-767-8408	2-11.10-2-3	2540-99-785-1025	2-14.7
2520-99-757-0311	2-5.16-2	3020-99-767-8409	2-11.10-2	2540-99-785-1032	2-14.7
5306-99-757-3765	2-11.1-13	3020-99-767-8410	2-11.10-4-5	2540-99-785-1033	2-14.7
4730-99-757-3971	2-12.3	3020-99-767-8411	2-11.10-4	2540-99-785-1034	2-14.7
2530-99-757-4917	2-6.17	2590-99-767-8412	2-11.10-19	2540-99-785-1035	2-14.7
2530-99-757-6972	2-6.21-1-4	2590-99-767-8413	2-11.11-46	2910-99-788-3659	2-1.24-35
2510-99-757-6975	2-7-2.1	3020-99-767-8414	2-11.11	2910-99-788-3661	2-1.23-6
2590-99-757-8759	2-12.9-22	2590-99-767-8415	2-11.11	5360-99-788-3662	2-1.27-10
5310-99-757-8807	2-11.3-95	5315-99-768-1100	2-11.2	9905-99-788-5874	2-10.1
5306-99-757-8808	2-11.4-96	2590-99-768-1103	2-11.11	4730-99-788-7090	2-1.12
5975-99-757-9184	2-10.16	2590-99-768-4683	2-11.9-12	2910-99-789-4893	2-1.23
3110-99-757-9412	2-12.1-23	5365-99-769-3616	2-1.4A	2910-99-789-4894	2-1.24-33
5975-99-757-9418	2-10.15	5306-99-769-3617	2-1.36-15	2910-99-789-4895	2-1.24-33
2520-99-758-0605	2-12.8-1-8	2910-99-774-0661	2-1.33	5306-99-792-0986	2-1.55
2520-99-758-1387	2-5.14-95	2590-99-777-0435	2-1.54	2910-99-792-3337	2-1.33
2520-99-758-1388	2-5.14-96	2590-99-777-0436	2-1.54	2910-99-792-3338	2-1.33
2520-99-758-1390	2-5.14-88	2590-99-777-0437	2-1.54	4720-99-792-3339	2-6.10
2520-99-758-1391	2-5.13-17	2590-99-777-0438	2-1.54	2590-99-793-0640	2-13.8A-2
5307-99-758-2638	2-11.7-4	5365-99-777-0440	2-1.54	2990-99-794-0362	2-6.6
2590-99-758-3778	2-10.15	5340-99-777-0443	2-1.55	2990-99-794-0363	2-6.6
2590-99-758-8562	2-10.17	2815-99-777-8866	2-1.4	4720-99-795-5116	2-6.19-11-1
9905-99-759-0837	2-9.19	6140-99-778-6358	2-10.10		2
9905-99-759-0838	2-9.19	3030-99-778-6360	2-1.37-18	2540-99-795-5117	2-9.18-21
5330-99-759-0935	2-10.19	2815-99-780-7314	2-1.9-34	2510-99-795-5118	2-9.2
2530-99-759-1038	2-6.21-14	2510-99-781-3717	2-9.4-15	2510-99-795-5119	2-9.2
2530-99-759-1038	2-6.27	2510-99-781-3718	2-9.4-18	6220-99-795-5120	2-10.2
2510-99-759-1902	2-7-3.1-1	4730-99-781-5358	2-6.35	6140-99-797-0537	2-10.10
4720-99-759-2896	2-6.23	2590-99-781-9828	2-13.19	4730-99-797-3720	2-6.35
2590-99-759-6655	2-10.17	4820-99-785-0977	2-14.3	4730-99-797-3729	2-6.35
5310-99-760-0808	2-9.11-14	2540-99-785-0979	2-14.1	9905-99-797-4508	2-6.28
5310-99-760-0808	2-9.11-7	2540-99-785-0980	2-14.1	9905-99-797-4509	2-6.28
5310-99-760-0808	2-9.9	2540-99-785-0981	2-14.1	5365-99-8.8-5420	2-1.17-14
2815-99-760-7377	2-1.4	2540-99-785-0982	2-14.1	4820-99-800-0803	2-6.19-5
5305-99-760-7396	2-1.4A	2540-99-785-0983	2-14.1	5330-99-800-2476	2-11.6-10
2510-99-761-1140	2-7-2.2	2540-99-785-0984	2-14.1	5330-99-800-2570	2-11.6-13
4730-99-761-2021	2-1.35-11	2540-99-785-0985	2-14.1	2590-99-800-7973	2-14.2
2530-99-761-3234	2-6.8-43	2540-99-785-0986	2-14.1	2590-99-800-7975	2-14.2
2590-99-761-3235	2-9.28-11	2540-99-785-0987	2-14.1	4820-99-800-8231	2-11.4-115
5310-99-761-7081	2-5.14-49	2540-99-785-0988	2-14.1	2930-99-800-8950	2-2.1-3
5310-99-761-7081	2-5.14-66	2540-99-785-0988	2-14.1	5340-99-800-9072	2-8.3-2
5310-99-761-7081	2-5.14-85	2540-99-785-0989	2-14.1	5340-99-800-9072	2-8.5-2
5310-99-761-7082	2-5.14	2540-99-785-0990	2-14.1	4730-99-800-9812	2-1.25-53

159

569

INDEX OF NATO STOCK NUMBERS OR CATALOGUE NUMBERS

ARMY EQUIPMENT
SUPPORT PUBLICATION

2320-1-701-711

NATO Stock No./ Catalogue No.	Chapter, Page and Fig-Item No.	NATO Stock No./ Catalogue No.	Chapter, Page and Fig-Item No.	NATO Stock No./ Catalogue No.	Chapter, Page and Fig-Item No.
4730-99-801-1208	2-11.9-13	5940-99-805-0295	2-10.14	2530-99-809-5766	2-1.46-11
4730-99-801-1208	2-11.9-20	5975-99-805-0379	2-10.13	5340-99-809-7201	2-10.11
4730-99-801-1230	2-5.22-9	5975-99-805-0379	2-10.14	5340-99-809-7201	2-10.19
4730-99-801-1230	2-5.23-31	5940-99-805-0380	2-10.14	5930-99-809-7409	2-10.4-2
4730-99-801-1230	2-5.26-26	5940-99-805-0380	2-10.15	5935-99-809-8706	2-10.11
4730-99-801-1230	2-5.33-26	4730-99-805-0627	2-1.13	5940-99-809-9148	2-10.13
4730-99-801-1256	2-5.33	5940-99-805-0704	2-10.13	5330-99-810-0913	2-12.6-21
4730-99-801-1275	2-6.2-3	5940-99-805-0718	2-10.15	5330-99-810-0913	2-12.8
4730-99-801-1275	2-6.4-10	5940-99-805-1264	2-10.13	5330-99-810-0913	2-13.27-11
4730-99-801-1390	2-6.14-12	5935-99-805-2902	2-10.13	5940-99-810-1625	2-10.13
4730-99-801-1950	2-5.26-14	5935-99-805-2902	2-10.14	5940-99-810-1625	2-10.14
4730-99-801-1950	2-5.33-14	6145-99-805-4603	2-10.17	5940-99-810-1625	2-10.15
5330-99-801-5033	2-11.6-11	2530-99-805-5558	2-1.46-3	5940-99-810-1625	2-10.17
5330-99-801-6419	2-1.48-16	5330-99-805-6380	2-1.47-31	5940-99-810-1626	2-10.13
5330-99-801-6624	2-1.46-22	4310-99-805-6508	2-1.48-2	5940-99-810-1626	2-10.14
5330-99-801-6628	2-12.3-17	5340-99-805-8264	2-1.36-9	5940-99-810-1626	2-10.15
5330-99-801-6628	2-12.7-31	3110-99-805-9478	2-13.23-6	5940-99-810-1626	2-10.18
5330-99-801-6636	2-12.3-5	3110-99-805-9478	2-13.24-21	6250-99-810-1628	2-10.13
5330-99-801-6672	2-11.3-60	3110-99-806-1073	2-5.19-21	5940-99-810-1632	2-10.13
5330-99-801-6672	2-11.3-70	3110-99-806-1073	2-5.30-21	5940-99-810-1632	2-10.14
5330-99-801-6672	2-11.3-75	3110-99-806-1073	2-5.4-20	5940-99-810-1632	2-10.15
3110-99-801-7498	2-5.6-21	3110-99-806-1087	2-11.2-57	5940-99-810-1632	2-10.15
5310-99-801-7641	2-5.25	3110-99-806-1317	2-5.13-10	4730-99-810-1869	2-11.6
5310-99-801-7641	2-5.32	5310-99-806-7450	2-1.38-24	5330-99-810-5080	2-12.8
4320-99-801-8391	2-12.7-25	5310-99-806-7450	2-1.40-18	5310-99-810-7683	2-1.32-87
5315-99-801-8408	2-1.45-9	5310-99-806-8593	2-1.7	5325-99-810-9786	2-10.14
4730-99-801-8722	2-14.2	5310-99-806-8593	2-1.9-35	6250-99-810-9789	2-10.13
5330-99-801-8841	2-14.2	5310-99-806-8593	2-10.6-7	5940-99-810-9804	2-10.13
6680-99-801-9943	2-10.1	5310-99-806-9256	2-1.44-7	5975-99-811-0147	2-10.16
6680-99-801-9944	2-10.1	5330-99-806-9451	2-13.27-6	5365-99-811-0810	2-1.27-6
6695-99-801-9945	2-10.1	5940-99-806-9919	2-10.15	5365-99-811-0810	2-13.4-13
5340-99-802-1717	2-2.3-15	4730-99-807-7520	2-1.33	5930-99-811-0825	2-6.16-1
6685-99-802-2988	2-10.1	5310-99-807-8938	2-1.25-66	5315-99-811-0906	2-1.26-67
4730-99-802-4950	2-11.6-5	2590-99-808-1645	2-1.42	5930-99-811-0984	2-10.3-23
2530-99-802-6821	2-6.20	5310-99-808-1646	2-1.42-28	5330-99-811-4291	2-12.1-15
2540-99-803-1490	2-9.18-23	2920-99-808-1756	2-1.43-41	5330-99-811-4291	2-12.5-10
6220-99-803-3878	2-10.7-6	5305-99-808-1763	2-1.43-51	5330-99-811-4291	2-13.26-10
5315-99-803-4387	2-1.2-12	2920-99-808-1767	2-1.43	4730-99-811-5976	2-13.12-20
5340-99-803-4527	2-10.3	5310-99-808-4389	2-1.25-44	4730-99-811-5976	2-13.14-3
5975-99-803-5158	2-14.2	5310-99-808-4389	2-1.31-62	4730-99-811-5976	2-13.20
4320-99-803-5411	2-12.1-26	5310-99-808-4675	2-1.40-45	4730-99-811-5976	2-13.28-3
4730-99-803-5413	2-12.3-20	5310-99-808-4675	2-1.40-8	4730-99-811-5976	2-13.29-30
5305-99-803-6665	2-1.43-49	2510-99-808-5892	2-7-2.1	4730-99-811-5976	2-13.32-16
5305-99-803-6666	2-1.42-2	2590-99-808-5893	2-7-2.2	4730-99-811-5976	2-13.32-2
5325-99-803-6994	2-9.13-3	2510-99-808-5895	2-7-2.2	4730-99-811-5976	2-13.32-25
5940-99-804-0380	2-10.13	2590-99-808-5896	2-7-2.2	4730-99-811-5976	2-13.33-2
5310-99-804-1642	2-1.29-15	2510-99-808-6750	2-7-2.2	5315-99-811-5977	2-13.19-28
5330-99-804-2075	2-12.3	5315-99-808-7430	2-7-2.1	2530-99-811-6663	2-6.14
5340-99-804-2569	2-1.55	2540-99-808-7764	2-8.6-1	4730-99-811-6671	2-1.12
5340-99-804-2569	2-10.19	5310-99-808-7831	2-8.6-4	2590-99-811-6835	2-13.31-15
5340-99-804-2569	2-10.2	5310-99-808-7832	2-8.6-5	4730-99-811-6910	2-2.1-18
5340-99-804-2569	2-6.3-14	2540-99-808-7888	2-7-2.2	4730-99-811-6910	2-2.1-20
5340-99-804-2569	2-6.30	4730-99-809-0832	2-1.35	4730-99-811-6910	2-2.1-23
5340-99-804-7030	2-7-3.2-16	5970-99-809-1073	2-1.7	4730-99-811-6910	2-2.1-25
5920-99-804-8628	2-10.14	5940-99-809-1189	2-10.13	5975-99-811-7039	2-10.13
5940-99-805-0002	2-10.13	5940-99-809-1189	2-10.14	5310-99-811-7547	2-6.32
5940-99-805-0002	2-10.15	2530-99-809-2566	2-5.35	5940-99-811-8704	2-10.14
5935-99-805-0220	2-10.14	2530-99-809-2801	2-5.35	5940-99-811-8704	2-10.15
5940-99-805-0292	2-10.13	5330-99-809-4303	2-12.4-7	5940-99-811-9704	2-10.13
5940-99-805-0292	2-10.14	5330-99-809-4303	2-12.8	2530-99-812-0398	2-6.2
5940-99-805-0292	2-10.18	2530-99-809-5762	2-1.48-12	5340-99-812-4578	2-13.31-14
5940-99-805-0295	2-10.13	2530-99-809-5764	2-1.48-11	5340-99-812-4579	2-13.31-13

552

510

NATO Stock No./ and Catalogue No.	Chapter, Page and Fig-Item No.	NATO Stock No./ and Catalogue No.	Chapter, Page and Fig-Item No.	NATO Stock No./ and Catalogue No.	Chapter, Page and Fig-Item No.
3120-99-812-4581	2-13.14-2	5310-99-814-8546	2-11.9-28	3120-99-819-1528	2-1.11-16
3120-99-812-4581	2-13.32-3	5330-99-815-1390	2-12.9-12	2520-99-819-1655	2-1.11-13
5340-99-812-6967	2-13.20-5	5310-99-815-3290	2-5.25-36	2815-99-819-1656	2-1.11-14
5330-99-812-9238	2-11.7-24	5310-99-815-3290	2-5.32-36	5330-99-819-1663	2-1.44-31
2540-99-812-9249	2-7-2.5-46	5310-99-815-3290	2-7-2.5-35	2815-99-819-1664	2-1.11-2
5365-99-812-9288	2-1.22-1	5330-99-815-9846	2-5.26-19	2815-99-819-1665	2-1.2-8
5365-99-812-9288	2-1.22-5	5330-99-815-9846	2-5.26-21	5310-99-819-2038	2-1.19
5975-99-812-9294	2-10.16	5330-99-815-9846	2-5.33-19	5330-99-819-2566	2-1.22-8
2540-99-812-9342	2-7-1.1	5330-99-815-9846	2-5.33-22	5330-99-819-3523	2-13.27-5
2540-99-812-9342	2-7-2.1-8	9905-99-816-1944	2-7-3.2-14, 15	4320-99-819-3525	2-13.27-7
5940-99-812-9999	2-10.16			5330-99-819-3526	2-13.27-19
5310-99-813-0216	2-1.38-26	5315-99-816-6236	2-1.2-7	4320-99-819-3527	2-13.27-22
6220-99-813-5247	2-10.3	5305-99-816-6239	2-1.7	4320-99-819-3528	2-13.27-24
4730-99-813-6358	2-9.17-15	2530-99-816-8010	2-1.48-8-12	2540-99-819-3586	2-14.4
5940-99-813-6596	2-10.16	5365-99-816-8076	2-6.21	4720-99-819-3588	2-14.5
5940-99-813-6596	2-10.17	2530-99-816-9607	2-6.23	2540-99-819-3597	2-14.3
5940-99-813-6596	2-10.18	2530-99-816-9608	2-6.21	3110-99-819-3965	2-13.24-6
5940-99-813-6597	2-10.13	5360-99-816-9960	2-5.34-29	5365-99-819-3968	2-13.24-25
5940-99-813-6598	2-10.14	5330-99-817-0217	2-12.9-23	5330-99-819-3970	2-13.24-14
5940-99-813-6598	2-10.15	5930-99-817-0563	2-10.11	2520-99-819-3973	2-12.5-9
5940-99-813-6599	2-10.14	5330-99-817-0766	2-6.20	2520-99-819-3973	2-13.26-9
5940-99-813-6599	2-10.15	4730-99-817-1123	2-5.27-28	4730-99-819-4031	2-14.3
5940-99-813-9224	2-10.15	4730-99-817-1123	2-5.34-33	5330-99-819-5396	2-1.45-6
5940-99-813-9225	2-10.13	5315-99-817-2445	2-1.44-2	5940-99-819-7650	2-10.14
5920-99-813-9231	2-9.1	5330-99-817-6368	2-1.33	5940-99-819-7650	2-10.15
5920-99-813-9231	2-9.14	5330-99-817-6368	2-1.8-13	5940-99-819-7651	2-10.14
5920-99-813-9231	2-9.20	2805-99-817-6590	2-1.9-32	5940-99-819-7651	2-10.15
3120-99-813-9572	2-1.48-14	2815-99-817-6597	2-1.2-23	2540-99-820-2039	2-6.1-5
5360-99-813-9759	2-1.46-9	5935-99-817-6796	2-10.17	5325-99-820-2040	2-6.1-4
2530-99-813-9760	2-1.46-10	5340-99-817-6867	2-7-2.3	2530-99-820-2272	2-6.32
5307-99-813-9763	2-1.46-6	5310-99-817-7126	2-6.17-6	4730-99-820-2273	2-6.32
2920-99-813-9783	2-1.42-23	5330-99-817-8980	2-1.22-10	2940-99-820-2287	2-1.12
5975-99-814-0879	2-10.13	5330-99-817-9258	2-1.11-25	2940-99-820-2287	2-1.13-9
5940-99-814-0949	2-10.13	5330-99-817-9264	2-1.7	3110-99-820-2538	2-12.1-24
3120-99-814-5813	2-11.2-44	2590-99-818-4502	2-7-3.1-8,9	3110-99-820-2538	2-12.2-5
5320-99-814-6384	2-9.1	5310-99-818-6156	2-13.22-13	3110-99-820-2538	2-13.24-20
5975-99-814-7754	2-10.13	5310-99-818-6156	2-5.17	2540-99-820-2673	2-9.17-19
2590-99-814-8368	2-10.11	5310-99-818-6156	2-6.32	5340-99-820-3411	2-11.4-105- 108
5330-99-814-8512	2-11.1-5	2930-99-818-8208	2-2.1-46		
3120-99-814-8513	2-11.1-18	3110-99-818-8265	2-12.1-11	2510-99-820-4488	2-7-1.1-5
3120-99-814-8513	2-11.2-42	2815-99-818-9274	2-1.4-18	2510-99-820-4488	2-7-2.1-2
3120-99-814-8514	2-11.1-22	3120-99-818-9275	2-1.2-3	5330-99-820-7474	2-1.45
5330-99-814-8515	2-11.3-77	3120-99-818-9276	2-1.2	2530-99-820-7525	2-1.45
3040-99-814-8517	2-11.2-33	3120-99-818-9277	2-1.2	2530-99-821-0493	2-6.16-11
3040-99-814-8518	2-11.2-34	3120-99-818-9278	2-1.2	2530-99-821-0493	2-6.27-29
5330-99-814-8523	2-11.2-47&4 8	5365-99-818-9282	2-1.4-11	5340-99-821-1372	2-7-3.2-17
		5365-99-818-9283	2-1.4-12	5330-99-821-7538	2-9.11-9
2590-99-814-8524	2-11.4	5365-99-818-9284	2-1.4-15	3120-99-821-9806	2-5.26-18
5315-99-814-8528	2-11.7-8	5365-99-818-9285	2-1.4-13	3120-99-821-9806	2-5.26-20
5310-99-814-8529	2-11.7-7	5365-99-818-9286	2-1.4-14	3120-99-821-9806	2-5.33-18
3040-99-814-8532	2-11.7-15	5365-99-818-9287	2-1.4-11	3120-99-821-9806	2-5.33-21
3040-99-814-8533	2-11.7-14	5365-99-818-9288	2-1.4-12	2520-99-821-9869	2-5.17
3040-99-814-8534	2-11.8-27	5365-99-818-9289	2-1.4-15	2530-99-822-1065	2-6.10-2
3040-99-814-8536	2-11.7-6	5365-99-818-9290	2-1.4-13	5330-99-822-1462	2-6.32
3040-99-814-8537	2-11.7-5	5365-99-818-9291	2-1.4-14	5310-99-822-1766	2-5.16-15
3040-99-814-8538	2-11.7-21	2530-99-819-0978	2-6.12-4	4820-99-822-2520	2-12.6-17
3040-99-814-8539	2-11.7-12	2530-99-819-0978	2-6.16-8	4730-99-822-2521	2-12.6-20
3040-99-814-8540	2-11.7-13	2530-99-819-0978	2-6.25-7	5330-99-822-2622	2-13.25-28
3040-99-814-8541	2-11.7-9	5340-99-819-1505	2-6.28-10	5940-99-822-2905	2-10.15
5330-99-814-8542	2-11.8-26	5360-99-819-1519	2-1.8-4	2530-99-822-4782	2-6.23
3040-99-814-8545	2-11.9-24	2815-99-819-1522	2-1.9-27	5340-99-822-5481	2-9.7-29
			2-1.9-37	2540-99-822-5482	2-9.7-30

553

NATO Stock No./ Catalogue No.	Chapter, Page and Fig-Item No.	NATO Stock No./ Catalogue No.	Chapter, Page and Fig-Item No.	NATO Stock No./ Catalogue No.	Chapter, Page and Fig-Item No.
4710-99-822-6022	2-9.17-7-14	5340-99-824-8871	2-13-1	5935-99-825-7565	2-10.14
5365-99-822-6088	2-1.32-88	2590-99-824-9561	2-13.12-2	4730-99-825-7591	2-6.35
5340-99-822-6131	2-1.44-19	2590-99-824-9561	2-13.32-22	4730-99-825-7594	2-6.21
4820-99-822-6133	2-1.44-16	2540-99-824-9798	2-1.54	6145-99-825-7665	2-10.16
5340-99-822-6134	2-1.44-20	2910-99-824-9950	2-1.29-9	5330-99-825-7931	2-6.10
4320-99-822-6137	2-1.44-24	2920-99-825-0989	2-10.14	2530-99-825-8221	2-6.28
5360-99-822-6138	2-1.44-23	5365-99-825-1828	2-1.5-6	5365-99-825-8435	2-13.14-4
5360-99-822-6139	2-1.44-17	5365-99-825-1828	2-13.33-6	5365-99-825-8436	2-13.14-18
5365-99-822-6141	2-1.44-21	5365-99-825-1839	2-13.32-26	5365-99-825-8440	2-13.14-14
5360-99-822-6499	2-6.10-3	5365-99-825-1839	2-5.5-35	2530-99-825-8612	2-6.32
2530-99-823-1094	2-6.20	3120-99-825-1842	2-13.32-28	5340-99-825-8738	2-9.11
9905-99-823-1899	2-7-2.4	2590-99-825-1843	2-13.31-7	5340-99-825-8738	2-9.12
4730-99-823-6082	2-13.18-1-6	2590-99-825-1846	2-13.31-2	2540-99-825-8747	2-9.18
4730-99-823-6084	2-13.20-1	3120-99-825-1847	2-13.28-6	5935-99-825-9134	2-10.14
5330-99-823-6092	2-13.21-12	3120-99-825-1848	2-13.28-4	5935-99-825-9134	2-10.18
5330-99-823-6092	2-13.21-2	5935-99-825-1916	2-10.14	2910-99-826-2939	2-1.25-62
4730-99-823-6501	2-13.28-2	5365-99-825-2007	2-13.9-2	5310-99-826-5875	2-13.4-5
5330-99-823-6504	2-13.18-3	2590-99-825-2009	2-13.9-7	5330-99-826-5876	2-13.4-2
2590-99-823-6512	2-13.9-5	2590-99-825-2010	2-13.9-8	2590-99-826-5948	2-13.17-5-2 3
5330-99-823-6522	2-13.4-6	4820-99-825-2011	2-13.9-9		
5330-99-823-6523	2-13.4-4	2590-99-825-2013	2-13.9-11	5310-99-826-5950	2-13.17-2
5330-99-823-6524	2-13.4-2	4730-99-825-2014	2-13.9-12	2590-99-826-5951	2-13.15-12
5360-99-823-6600	2-13.4-5	2590-99-825-2016	2-13.10-1	2590-99-826-5951	2-13.17-13
5365-99-823-7180	2-13.9-4	5360-99-825-2018	2-13.10-3	2590-99-826-5952	2-13.17-14
4730-99-823-7190	2-13-1	2590-99-825-2019	2-13.10-4	2590-99-826-5953	2-13.17-15
4820-99-823-7195	2-13.4-3	5330-99-825-2020	2-13.10-5	3110-99-826-5954	2-13.17-16
5330-99-823-7414	2-13.22-10	5330-99-825-2022	2-13.10-8	5360-99-826-5973	2-13.8A-3
4730-99-823-7612	2-13.18-5	2590-99-825-2031	2-13.11-5	2590-99-826-5982	2-13.5-60
5365-99-823-7613	2-13.18-6	2590-99-825-2039	2-13.11	5365-99-826-5984	2-13.5-58
5330-99-823-8268	2-13.9-6	2540-99-825-2191	2-9.24-6	2590-99-826-6045	2-13.15-6
2590-99-823-8695	2-13.29-8	2540-99-825-2192	2-9.24-4	2590-99-826-6045	2-13.17-7
5330-99-823-8866	2-12.5-4	2540-99-825-2193	2-9.24-5	2590-99-826-6046	2-13.15-7
6220-99-823-9797	2-10.9-3	2540-99-825-2194	2-9.24-3	2590-99-826-6046	2-13.17-8
5365-99-824-0810	2-13.14-13	6695-99-825-2731	2-10.1	5365-99-826-6049	2-13.15-10
2590-99-824-0818	2-13.2-21	5330-99-825-2732	2-10.1	5365-99-826-6049	2-13.17-11
4730-99-824-0835	2-13.28-8	2920-99-825-2733	2-10.2	5360-99-826-6050	2-13.15-11
5330-99-824-0977	2-13.21-10	5340-99-825-3411	2-3.1	5360-99-826-6050	2-13.17-12
5330-99-824-0977	2-13.21-5	4730-99-825-3414	2-1.22-15	5365-99-826-6051	2-13.15-16
2590-99-824-0980	2-13.29-16	5325-99-825-3589	2-6.7-9	5365-99-826-6051	2-13.17-17
2590-99-824-1050	2-13.12-15	4730-99-825-3597	2-6.34	2590-99-826-6056	2-13.15-20
3110-99-824-2637	2-5.24-10	2530-99-825-3988	2-6.12	5360-99-826-6061	2-13.15-17
3110-99-824-2637	2-5.24-8	5935-99-825-4143	2-10.14	5360-99-826-6061	2-13.17-18
3110-99-824-2637	2-5.31-10	5940-99-825-4147	2-10.13	2590-99-826-6065	2-13.17-22
3110-99-824-2637	2-5.31-8	5940-99-825-4148	2-10.13	5365-99-826-6130	2-13.16-18
3110-99-824-5066	2-13.35-4	5940-99-825-4148	2-10.14	5365-99-826-7013	2-13.7-6
4320-99-824-5372	2-13.20-12	5940-99-825-4149	2-10.13	5365-99-826-7026	2-13.31-3
4320-99-824-5374	2-13.20	5940-99-825-4151	2-10.13	5365-99-826-7026	2-13.32-11
5335-99-824-5391	2-13.18-2	5940-99-825-4151	2-10.14	4730-99-826-7048	2-13.2-25
5340-99-824-6033	2-10.19	5935-99-825-4152	2-10.14	4730-99-826-7049	2-13.14-21
5340-99-824-6033	2-3.1-36	4320-99-825-5082	2-1.44	4730-99-826-7049	2-13.2-16
5340-99-824-6033	2-6.30	5360-99-825-5314	2-6.8-42	4730-99-826-7050	2-13.3-15
5340-99-824-6033	2-6.7	5310-99-825-5878	2-7-2.2	2930-99-827-0241	2-1.13-2
5340-99-824-6033	2-9.27-7	2530-99-825-5894	2-6.12-1-3	4730-99-827-0615	2-6.20-31
6220-99-824-7089	2-10.9-6	2530-99-825-5898	2-6.12	4730-99-827-0615	2-6.3
9905-99-824-7090	2-7-2.4	2910-99-825-6288	2-1.20-1-11	4730-99-827-0615	2-6.30
6250-99-824-7212	2-10.13	5330-99-825-6656	2-12.2	4730-99-827-0616	2-6.20
5999-99-824-7245	2-10.13	5330-99-825-6656	2-13.22-1	4730-99-827-0616	2-6.3
5935-99-824-7346	2-10.14	2540-99-825-6899	2-9.18-2	4730-99-827-0616	2-6.30
5940-99-824-7562	2-10.17	5365-99-825-7208	2-13.12-17	4720-99-827-0895	2-13-1
5940-99-824-7567	2-10.17	5365-99-825-7208	2-13.19-18	4820-99-827-1152	2-12.6-7
5325-99-824-8866	2-9.19-28	3110-99-825-7279	2-13.24-4	4820-99-827-1153	2-12.6-3
5340-99-824-8871	2-10.19	3110-99-825-7279	2-13.35-3	3120-99-827-1154	2-12.6-10

455

NATO Stock No./ Catalogue No.	Chapter, Page and Fig-Item No.	NATO Stock No./ Catalogue No.	Chapter, Page and Fig-Item No.	NATO Stock No./ Catalogue No.	Chapter, Page and Fig-Item No.
4820-99-827-1155	2-12.6-11	5330-99-828-5113	2-1.46-12	4730-99-829-7966	2-6.24
4820-99-827-1157	2-12.6-22	5330-99-828-5121	2-9.28	4730-99-829-7966	2-6.25
5360-99-827-1158	2-12.6-18	2815-99-828-5845	2-1.8-16,17	4730-99-829-7966	2-6.26
4820-99-827-1159	2-12.6-6	6220-99-828-6035	2-10.8-16	4730-99-829-7966	2-6.27
5330-99-827-1307	2-13.5-59	3110-99-828-6447	2-5.24-19	4730-99-829-7966	2-6.31
5330-99-827-1848	2-13.4-18	3110-99-828-6447	2-5.31-19	4730-99-829-7967	2-6.11
6220-99-827-2714	2-10.8-21	2520-99-828-6455	2-5.30	4730-99-829-7967	2-6.12
2540-99-827-3014	2-9.18-33	2520-99-828-6456	2-5.30-43	4730-99-829-7967	2-6.13
2540-99-827-3049	2-9.27-12	2530-99-828-6457	2-5.31-1	4730-99-829-7967	2-6.13
2920-99-827-3211	2-10.11	5360-99-828-7207	2-5.26-9	4730-99-829-7967	2-6.14
3110-99-827-3486	2-5.24-22	5360-99-828-7207	2-5.33-9	4730-99-829-7967	2-6.23
3110-99-827-3486	2-5.31-14	5306-99-828-7209	2-5.24-18	4730-99-829-7967	2-6.24
3110-99-827-3486	2-5.31-22	5306-99-828-7209	2-5.31-18	4730-99-829-7967	2-6.24
5340-99-827-4445	2-9.8	5306-99-828-7210	2-5.24	4730-99-829-7967	2-6.25
2540-99-827-4448	2-9.8	5306-99-828-7210	2-5.31	4730-99-829-7967	2-6.26
2530-99-827-4875	2-6.12	5330-99-828-7211	2-5.24-20	4730-99-829-7967	2-6.27
5935-99-827-5276	2-10.15	5330-99-828-7211	2-5.31-20	4730-99-829-7967	2-6.31
3110-99-827-6834	2-5.7-28	5330-99-828-7212	2-5.24-5	2540-99-829-9000	2-9.22
5310-99-827-7061	2-10.10	5330-99-828-7212	2-5.31-5	2920-99-829-9201	2-1.42-6
3110-99-827-7615	2-13.15-15	5330-99-828-7239	2-5.21-5	5940-99-829-9212	2-1.43-32
3110-99-827-7915	2-13.21-13	2530-99-828-7655	2-5.25-35	5940-99-829-9213	2-1.43-33
3110-99-827-7915	2-13.21-4	5960-99-829-0566	2-1.43-35	4710-99-829-9272	2-6.11
3110-99-827-7915	2-13.8A-10	2540-99-829-0971	2-14.3	4710-99-829-9272	2-6.12
4730-99-827-8028	2-6.14-2	5330-99-829-2705	2-1.20-2	4710-99-829-9272	2-6.13
4730-99-827-8028	2-6.19-2	4820-99-829-2784	2-6.20	4710-99-829-9272	2-6.14
4730-99-827-8028	2-6.23-9	4820-99-829-2784	2-6.3-18	4710-99-829-9272	2-6.23
2520-99-827-8846	2-13.24-2	5340-99-829-2983	2-14.6	4710-99-829-9272	2-6.25
2520-99-827-8848	2-13.24-18	5340-99-829-2983	2-14.7	4710-99-829-9272	2-6.26
6680-99-827-9140	2-10.1	5920-99-829-3387	2-10.17	4710-99-829-9272	2-6.27
5330-99-827-9197	2-9.1	3120-99-829-4176	2-1.4-3	2920-99-829-9351	2-1.40-27-5 0
3110-99-827-9253	2-12.2-2	4730-99-829-4616	2-1.2-18	2920-99-829-9352	2-1.38-3
2520-99-827-9253	2-13.23-2	5330-99-829-4619	2-1.2-10	5977-99-829-9354	2-1.38-11
5340-99-827-9257	2-12.3-12	5330-99-829-4625	2-1.11-36	2920-99-829-9355	2-1.38
6250-99-827-9821	2-10.2	5330-99-829-4626	2-1.2-20	2920-99-829-9357	2-1.38-37
2510-99-828-0073	2-7-3.1	2815-99-829-4639	2-1.2-2	2920-99-829-9357	2-1.39-47
2510-99-828-0074	2-7-3.1-5	5330-99-829-5008	2-1.2-13	2920-99-829-9359	2-1.38-34
2520-99-828-0341	2-13.24-12	2815-99-829-5013	2-1.11-17	5365-99-829-9361	2-1.39
2530-99-828-0647	2-6.25-5	5320-99-829-5015	2-1.11-26	2920-99-829-9362	2-1.41
2910-99-828-1471	2-1.29-9	5330-99-829-5015	2-1.55	2920-99-829-9363	2-1.39
2910-99-828-1472	2-1.29-9	5330-99-829-5024	2-1.37-11	2920-99-829-9365	2-1.39
2540-99-828-1946	2-7-3.1-7	5330-99-829-5027	2-1.10-2	4310-99-829-9586	2-1.48-2-7
2910-99-828-1974	2-1.29-2	2910-99-829-5030	2-1.22-1-13	5315-99-830-2472	2-13.30
2910-99-828-2082	2-1.31-72	2815-99-829-5038	2-1.35-15	5315-99-830-2472	2-13.30-4
5330-99-828-2155	2-1.27-7	5340-99-829-5056	2-7-2.2	5315-99-830-2472	2-6.6
2590-99-828-2242	2-13.6-72	5930-99-829-5119	2-10.4-1	5315-99-830-2472	2-6.7-7
5315-99-828-2400	2-7-3.1-2	3120-99-829-5397	2-1.4-3	2520-99-830-2806	2-12.1-8
5340-99-828-2402	2-7-3.1-3	2910-99-829-5420	2-1.22-9	3110-99-830-2807	2-12.1-6
2510-99-828-2403	2-7-3.1-4	2540-99-829-5746	2-14.3	5330-99-830-2808	2-12.1-5
5330-99-828-3284	2-10.1	6105-99-829-5748	2-14.3	5365-99-830-2809	2-12.1-19
5330-99-828-3284	2-10.1	4730-99-829-6316	2-14.3	5365-99-830-2811	2-12.1-10
2590-99-828-3476	2-13.4-8	5340-99-829-6322	2-14.4	5330-99-830-2813	2-12.1-12
5930-99-828-3775	2-10.5-3	5340-99-829-6331	2-14.4	3110-99-830-2814	2-12.1-9
6150-99-828-3927	2-1.43-53	6350-99-829-7148	2-10.4-5	2530-99-830-4601	2-5.24-1
2530-99-828-4014	2-6.14	2540-99-829-7180	2-14.3	2530-99-830-4602	2-5.21-8
4730-99-828-4015	2-6.14	5340-99-829-7847	2-14.4	2530-99-830-4605	2-5.22
4720-99-828-4150	2-9.14	4730-99-829-7966	2-6.11	2530-99-830-4606	2-5.22-13
4720-99-828-4150	2-9.14-2	4730-99-829-7966	2-6.12	2530-99-830-4607	2-5.22-18
4720-99-828-4150	2-9.14-5	4730-99-829-7966	2-6.13	5330-99-830-4608	2-5.23-28
4720-99-828-4150	2-9.14-8	4730-99-829-7966	2-6.13	3130-99-830-4611	2-5.23-30
2520-99-828-4472	2-5.20	4730-99-829-7966	2-6.14	3120-99-830-4612	2-5.22-3
2520-99-828-4472	2-5.30	4730-99-829-7966	2-6.14		
3120-99-828-5111	2-1.48-15	4730-99-829-7966	2-6.23		

555

INDEX OF NATO STOCK NUMBERS OR CATALOGUE NUMBERS

ARMY EQUIPMENT
SUPPORT PUBLICATION

2320-1-701-711

NATO Stock No./ Catalogue No.	Chapter, Page and Fig-Item No.	NATO Stock No./ Catalogue No.	Chapter, Page and Fig-Item No.	NATO Stock No./ Catalogue No.	Chapter, Page and Fig-Item No.
5330-99-830-4613	2-5.22-12	3120-99-830-5129	2-5.30-24	5330-99-831-9887	2-5.10-35
5330-99-830-4614	2-5.22-11	5315-99-830-5130	2-5.19-22	5330-99-831-9888	2-5.9-18
2530-99-830-4615	2-5.21-2	4730-99-830-5130	2-5.30-22	5330-99-831-9889	2-5.9-25
3120-99-830-4616	2-5.21-4	4730-99-830-5131	2-5.20-41	5330-99-831-9890	2-5.9-19
2530-99-830-4617	2-5.21-19	4730-99-830-5131	2-5.30-42	5330-99-831-9891	2-5.2-19
2530-99-830-4617	2-5.31	2520-99-830-5132	2-5.20-42	5330-99-831-9893	2-5.2-9
3020-99-830-4618	2-5.24-23	2520-99-830-5132	2-5.21-17	2520-99-831-9894	2-5.4-1
3020-99-830-4618	2-5.31-23	2530-99-830-5136	2-5.26-6	3110-99-831-9895	2-5.4-17
3020-99-830-4619	2-5.24-15	2530-99-830-5136	2-5.33-6	2520-99-831-9896	2-5.4-4
3020-99-830-4620	2-5.24-16	2530-99-830-5137	2-5.26-7	3110-99-831-9897	2-5.4-3
3020-99-830-4620	2-5.31-16	2530-99-830-5137	2-5.33-7	2520-99-831-9899	2-5.5-30
3020-99-830-4624	2-5.21-7	2530-99-830-5138	2-5.26-12	3110-99-831-9906	2-5.5-32
2530-99-830-4627	2-5.21-9	2530-99-830-5138	2-5.33-12	3110-99-831-9906	2-5.6-23
2520-99-830-4628	2-5.21-12	2530-99-830-5139	2-5.27-30	3120-99-831-9907	2-5.5-31
2520-99-830-4628	2-5.21-6	2530-99-830-5139	2-5.34-35	3120-99-831-9908	2-5.5-34
5365-99-830-4631	2-5.24-9	2530-99-830-5140	2-5.26-10	2520-99-831-9909	2-5.6-19
5365-99-830-4631	2-5.31-9	2530-99-830-5140	2-5.33-10	3110-99-831-9910	2-5.6-3
3020-99-830-4632	2-5.24-30	5340-99-830-5143	2-5.27-33	3110-99-831-9910	2-5.7-34
3020-99-830-4632	2-5.32-30	5340-99-830-5143	2-5.34-38	3110-99-831-9910	2-5.7-38
5340-99-830-4633	2-5.25-34	2530-99-830-5144	2-5.26	3040-99-831-9911	2-5.6-2
5340-99-830-4633	2-5.32-34	2530-99-830-5145	2-5.26-15	3120-99-831-9912	2-5.6-4
5305-99-830-4634	2-5.20	3020-99-830-5146	2-5.19-18	3040-99-831-9913	2-5.6-5
5305-99-830-4634	2-5.21	5330-99-830-6184	2-13.22-14	3040-99-831-9915	2-5.7-39
3120-99-830-4636	2-5.22-5	4730-99-830-6617	2-1.44-27	3120-99-831-9916	2-5.7-37
5365-99-830-4637	2-5.22-4	4730-99-830-6618	2-1.44	5365-99-831-9918	2-5.7-35
5365-99-830-4638	2-5.22	3110-99-830-7318	2-1.2-5	3040-99-831-9919	2-5.7-36
5365-99-830-4639	2-5.22	5330-99-830-7319	2-1.2-4	2520-99-831-9920	2-5.7-32
5365-99-830-4640	2-5.22	2815-99-830-7322	2-1.2-21	2520-99-831-9921	2-5.7-30
5310-99-830-4641	2-5.25	5940-99-830-7752	2-10.13	3040-99-831-9922	2-5.7-29
5310-99-830-4642	2-5.25	5940-99-830-7753	2-10.13	2520-99-831-9923	2-5.7-27
5365-99-830-4643	2-5.24-26	5940-99-830-7754	2-10.13	2520-99-831-9924	2-5.7-25
5365-99-830-4643	2-5.31-26	5340-99-830-8883	2-10.2	3120-99-831-9925	2-5.6-22
5330-99-830-5108	2-5.19-4	2540-99-830-8992	2-9.24	3040-99-831-9926	2-5.7-24
5330-99-830-5108	2-5.29-4	2910-99-830-9004	2-1.22-16	3040-99-831-9928	2-5.4-6
5365-99-830-5110	2-5.19-7	2910-99-830-9004	2-1.54	5365-99-831-9929	2-5.4-7
5365-99-830-5110	2-5.21	5330-99-830-9042	2-1.12	3040-99-831-9930	2-5.4-8
5365-99-830-5110	2-5.29-7	5306-99-830-9554	2-1.36-7	5365-99-831-9931	2-5.4-12
5365-99-830-5111	2-5.19	3020-99-830-9580	2-1.44-30	3040-99-831-9932	2-5.4-13
5365-99-830-5111	2-5.29	3110-99-830-9831	2-5.13-16	2520-99-831-9933	2-5.4-14
5365-99-830-5112	2-5.19	3110-99-830-9831	2-5.19-5	5310-99-831-9934	2-5.4-19
5365-99-830-5112	2-5.29	3110-99-830-9831	2-5.29-5	5365-99-831-9935	2-5.6-8
5365-99-830-5113	2-5.19	3110-99-830-9832	2-5.19-13	5365-99-831-9936	2-5.6
5365-99-830-5113	2-5.29	3110-99-830-9832	2-5.29-13	5365-99-831-9937	2-5.6
5365-99-830-5116	2-5.19-12	3110-99-830-9833	2-5.23-29	5365-99-831-9938	2-5.6
5365-99-830-5116	2-5.29-12	3020-99-831-3479	2-12.1-20	5365-99-831-9939	2-5.6-9
5365-99-830-5117	2-5.19	5340-99-831-4987	2-10.19	3110-99-831-9940	2-5.6-11
5365-99-830-5117	2-5.29	5940-99-831-4999	2-10.13	5365-99-831-9941	2-5.4-21
5365-99-830-5118	2-5.19	5340-99-831-5794	2-12.3-10	5365-99-831-9942	2-5.4
5365-99-830-5118	2-5.29	5935-99-831-7251	2-10.14	5365-99-831-9943	2-5.4
5365-99-830-5119	2-5.19	5935-99-831-7252	2-10.14	5365-99-831-9944	2-5.4
5365-99-830-5119	2-5.29	2910-99-831-7265	2-1.23	5365-99-831-9945	2-5.4-22
5330-99-830-5122	2-5.20-36	5330-99-831-7267	2-1.31-60	5310-99-831-9947	2-5.6-15
5330-99-830-5122	2-5.30-37	2815-99-831-8120	2-1.1	2520-99-831-9948	2-5.5-23
2530-99-830-5123	2-5.19-20	2815-99-831-8121	2-1.1	4730-99-831-9967	2-6.10-20
2530-99-830-5123	2-5.29-20	2520-99-831-8122	2-5.1	3040-99-832-1615	2-5.5-33
3020-99-830-5125	2-5.20-25	2520-99-831-8123	2-5.1	2520-99-832-1616	2-5.8-1
3020-99-830-5125	2-5.30-25	2520-99-831-8124	2-5.12	2520-99-832-1621	2-5.8-7
3020-99-830-5127	2-5.20-27-2 8	2520-99-831-8124	2-5.13-1-10 3	2520-99-832-1622	2-5.8-8
3020-99-830-5127	2-5.30-27-2 8	2520-99-831-8129	2-5.28	2520-99-832-1625	2-5.9-8
3120-99-830-5129	2-5.20-24	5330-99-831-9885	2-5.11-23	5340-99-832-1626	2-5.9-20
		5330-99-831-9886	2-5.2-8	5306-99-832-1629	2-5.9-12
				2520-99-832-1630	2-5.9-3

959

574

NATO Stock No./ and Catalogue No.	Chapter, Page and Fig-Item No.	NATO Stock No./ and Catalogue No.	Chapter, Page and Fig-Item No.	NATO Stock No./ and Catalogue No.	Chapter, Page and Fig-Item No.
2520-99-832-1631	2-5.9	2815-99-832-6848	2-1.4A-25	5340-99-833-0030	2-9.7-32
2520-99-832-1632	2-5.9-7	2520-99-832-6849	2-1.36-39	5360-99-833-0180	2-13.4-14
2520-99-832-1633	2-5.9-4	2910-99-832-7038	2-1.35-12	2590-99-833-0181	2-13.4-16
2520-99-832-1634	2-5.9-6	2815-99-832-7044	2-1.8	2590-99-833-0182	2-13.6-20-3
2520-99-832-1645	2-5.11-16	4720-99-832-7045	2-2.1-45		9
2520-99-832-1646	2-5.11-15	2520-99-832-7047	2-1.36-17-2	2590-99-833-0182	2-13.6-68&7
2520-99-832-1647	2-5.11-17		8		3
2520-99-832-1648	2-5.11-18	5365-99-832-7098	2-13.16-11	2590-99-833-0195	2-13.5-41-4
3040-99-832-1649	2-5.5-28	2590-99-832-7099	2-13.16-14		7
3110-99-832-1988	2-5.4-11	2520-99-832-7150	2-1.36-32	2590-99-833-0195	2-13.5-53-5
5330-99-832-1989	2-5.11-10	2520-99-832-7151	2-1.36-16-3		4
5330-99-832-1989	2-5.2		8	2590-99-833-0195	2-13.5-59&6
5330-99-832-1990	2-5.2	3110-99-832-7152	2-5.11-21		1
5330-99-832-1991	2-5.9-10	4320-99-832-7153	2-1.37-1-10	2590-99-833-0197	2-13.5-41-4
5330-99-832-1992	2-5.2-16	3020-99-832-7154	2-1.37-3		7
3110-99-832-1993	2-5.6-14	4720-99-832-7155	2-1.10-8	2590-99-833-0197	2-13.5-53-5
3110-99-832-1994	2-5.5-27	2815-99-832-7158	2-1.19		4
5310-99-832-1995	2-5.10-43	2815-99-832-7159	2-1.19	2590-99-833-0197	2-13.5-59&6
3110-99-832-1996	2-5.9-2	2815-99-832-7160	2-1.19		1
5365-99-832-1997	2-5.7-31	2815-99-832-7161	2-1.19	5305-99-833-0533	2-1.8-21
5365-99-832-1998	2-5.7-26	5330-99-832-7162	2-1.12	5340-99-833-0810	2-1.9-29
5365-99-832-1999	2-5.4-9	5330-99-832-7162	2-1.13	2805-99-833-0817	2-1.9-28
5365-99-832-2298	2-5.4-15	2815-99-832-7163	2-1.7	5340-99-833-1209	2-1.9-31
2590-99-832-2305	2-13-1	2920-99-832-7168	2-1.38-1-54	5315-99-833-1242	2-1.4-2
2590-99-832-2312	2-13-1	2910-99-832-7170	2-1.21-1-19	2590-99-833-1302	2-13.16
4820-99-832-2315	2-13.13-1-8	2910-99-832-7172	2-1.33	2590-99-833-1357	2-13.10-2
5360-99-832-2316	2-13.13-2	2815-99-832-7174	2-1.15-1	2590-99-833-1358	2-13.10-7
5330-99-832-2317	2-13.13-3	5330-99-832-7177	2-1.15-2	2590-99-833-1362	2-13.21-1-7
3110-99-832-2319	2-13.13-6	5330-99-832-7214	2-1.19	2590-99-833-1363	2-13.21-8-1
5365-99-832-2320	2-13.13-7	4720-99-832-7219	2-1.19		4
2510-99-832-2628	2-6.1-12	2815-99-832-7220	2-1.19	2590-99-833-1395	2-13.2-19
5365-99-832-3782	2-9.18-24	4730-99-832-7221	2-1.19	2590-99-833-1396	2-13.2-15
5305-99-832-4499	2-5.8-2	2910-99-832-7222	2-1.19	2590-99-833-1396	2-13.3-16
5305-99-832-4499	2-5.8-6	5307-99-832-7225	2-1.15-3	2590-99-833-1397	2-13.12-16
2530-99-832-4609	2-5.35	5307-99-832-7226	2-1.15-4	2590-99-833-1397	2-13.14-19
2610-99-832-4619	2-5.35	2815-99-832-7227	2-1.50-11	2590-99-833-1397	2-13.2-20
4320-99-832-5163	2-1.44-13	4720-99-832-7228	2-1.50-3	2590-99-833-1434	2-13.5-41-6
4320-99-832-5165	2-1.45-1-30	4720-99-832-7229	2-1.50-9		1
4320-99-832-5166	2-1.45	2910-99-832-7230	2-1.35-1	4730-99-833-1437	2-13.6-70-7
5340-99-832-5189	2-1.2-9	2910-99-832-7231	2-1.35-2		2
5315-99-832-5617	2-1.36-6	2910-99-832-7232	2-1.35-3	2590-99-833-1438	2-13.4-28-3
5325-99-832-6700	2-1.55	2910-99-832-7233	2-1.35-4		8
5325-99-832-6700	2-10.2	2910-99-832-7234	2-1.35-5	2590-99-833-1439	2-13.5-41-4
2815-99-832-6828	2-1.5-1-6	2910-99-832-7335	2-1.35-6		7
2815-99-832-6829	2-1.5-1-6	2590-99-832-7405	2-13.28-5	2590-99-833-1440	2-13.5
2815-99-832-6831	2-1.8-14	2590-99-832-7412	2-13.19-5	5330-99-833-1475	2-13.5-57
3120-99-832-6832	2-1.5-10	2590-99-832-7426	2-13.32-4	2590-99-833-1500	2-13.19-3
2815-99-832-6833	2-1.8-11	2590-99-832-7431	2-12.9-9	2590-99-833-1500	2-13.3-14
2815-99-832-6834	2-1.8-12	5365-99-832-7432	2-12.9-10	2590-99-833-1525	2-13.4-1-14
2990-99-832-6835	2-1.8-10	2590-99-832-7433	2-12.9-14	2590-99-833-1526	2-13.4-2-14
2815-99-832-6836	2-1.8-9	2590-99-832-7434	2-12.9-15	2590-99-833-1527	2-13.4-7
2815-99-832-6837	2-1.8-18,19	5365-99-832-7435	2-12.9-16	2590-99-833-1530	2-13.20-11
2815-99-832-6838	2-1.9-30	2590-99-832-7436	2-12.9-20	2590-99-833-1532	2-13.20-13
2815-99-832-6839	2-1.9-33	5365-99-832-7437	2-12.10-26	2590-99-833-1533	2-13.20-6-8
4720-99-832-6840	2-1.14-10	2590-99-832-7438	2-12.9-8	2590-99-833-1534	2-13.7-1-9
2815-99-832-6841	2-1.14-8	2590-99-832-7439	2-12.9-21	2590-99-833-1535	2-13.7-4
5340-99-832-6842	2-1.14-4	5330-99-832-7441	2-12.9-5	5360-99-833-1536	2-13.7-5
2815-99-832-6844	2-1.8-6	5315-99-832-7443	2-13.32-20	2590-99-833-1537	2-13.7-7
3020-99-832-6845	2-1.11-9	2590-99-832-7444	2-13.32-18	2590-99-833-1538	2-13.7-8
3020-99-832-6846	2-1.11-15,1	2540-99-832-8653	2-6.32	2590-99-833-1539	2-13.7-9
	6	4710-99-832-9474	2-6.30	2590-99-833-1542	2-13-1
3020-99-832-6847	2-1.11-21	5365-99-832-9927	2-5.6-6	3020-99-833-2028	2-5.29-18

551

NATO Stock No./ Catalogue No.	Chapter, Page and Fig-Item No.	NATO Stock No./ Catalogue No.	Chapter, Page and Fig-Item No.	NATO Stock No./ Catalogue No.	Chapter, Page and Fig-Item No.
2530-99-833-2029	2-5.33-15	2590-99-833-3472	2-4.1-6	2590-99-833-4625	2-6.30
2530-99-833-2030	2-5.33	2990-99-833-3473	2-4.1-5	2590-99-833-4634	2-6.4-7
2530-99-833-2034	2-5.23	5306-99-833-3477	2-4.1-22	2540-99-833-4636	2-6.2
2530-99-833-2035	2-5.23-22	2590-99-833-3478	2-4.1-23	2540-99-833-4636	2-6.4-5
2530-99-833-2038	2-5.22-21	5330-99-833-3479	2-4.1-1	5360-99-833-4638	2-6.4-16
2530-99-833-2039	2-5.23	5340-99-833-3481	2-6.1-10	5340-99-833-4639	2-6.4-17
2530-99-833-2040	2-5.23-26	2540-99-833-3492	2-10.1	2590-99-833-4645	2-6.11-15
2530-99-833-2042	2-5.22-15	2540-99-833-3494	2-10.1	2590-99-833-4645	2-6.28-15
2530-99-833-2043	2-5.26	2590-99-833-3496	2-6.5-10	2530-99-833-4647	2-6.23-1
2530-99-833-2044	2-5.26-22	5330-99-833-3497	2-6.5-8	3120-99-833-4673	2-6.2-2
2520-99-833-2081	2-5.32	5355-99-833-3498	2-6.5-1	3120-99-833-4673	2-6.4-9
4730-99-833-2205	2-3.1-30	2540-99-833-3499	2-6.5-25-29	2520-99-833-4674	2-6.2-8
2910-99-833-2256	2-3.1-10	4730-99-833-3552	2-6.12	5930-99-833-4678	2-10.1-6,7 & 8
2910-99-833-2256	2-9.29-8	4730-99-833-4061	2-1.2-15	6220-99-833-4679	2-10.8-1-8
4730-99-833-2408	2-1.34-3	2540-99-833-4249	2-9.28-24	6220-99-833-4680	2-10.8-2
4730-99-833-2408	2-1.35-17	5306-99-833-4252	2-8.4-12	6210-99-833-4682	2-10.8-4
4730-99-833-2408	2-3.1-29	2540-99-833-4253	2-9.2	2590-99-833-4687	2-1.52
5330-99-833-2409	2-3.1-2	5340-99-833-4255	2-9.5-11	2590-99-833-4692	2-6.29
2910-99-833-2415	2-3.1-12	5340-99-833-4256	2-9.19-2	4730-99-833-4699	2-6.11-1
4730-99-833-2453	2-1.12	5340-99-833-4256	2-9.5-15	4730-99-833-4699	2-6.28-22
2590-99-833-2471	2-1.54-4	2540-99-833-4257	2-9.5-14	5310-99-833-4775	2-10.11
2540-99-833-2605	2-6.2-5	2590-99-833-4260	2-10.3-14	4730-99-833-4842	2-6.11-13
2520-99-833-2607	2-6.3-12	2510-99-833-4261	2-9.1	4730-99-833-4842	2-6.28-24
2520-99-833-2608	2-6.3-6	5330-99-833-4262	2-9.1	4730-99-833-4873	2-6.28-3
2930-99-833-2610	2-2.1-1-6	2540-99-833-4266	2-9.18-25	2530-99-833-4874	2-6.32
2930-99-833-2611	2-2.1-7	2510-99-833-4269	2-9.7	2540-99-833-4884	2-9.18-4
2590-99-833-2625	2-10.1	2510-99-833-4270	2-9.7-1	2540-99-833-4886	2-9.7-17
2590-99-833-2631	2-10.5-1-5	2510-99-833-4271	2-9.8	4320-99-833-4888	2-12.3-1-14
2590-99-833-2633	2-10.11	2510-99-833-4272	2-9.8-42	2520-99-833-4890	2-12.1-1-27
6140-99-833-2634	2-10.16	2540-99-833-4273	2-9.8	5330-99-833-4892	2-13.22-9
2590-99-833-2639	2-10.15	2540-99-833-4274	2-9.8-40	2520-99-833-4893	2-12.4-1-16
2590-99-833-2640	2-10.14	2540-99-833-4275	2-9.8	2520-99-833-4893	2-12.6-1-29
2590-99-833-2641	2-10.14	5330-99-833-4276	2-9.9	2520-99-833-4894	2-12.8
2590-99-833-2644	2-10.18	5330-99-833-4277	2-9.9-45	4720-99-833-4895	2-12.3
2590-99-833-2646	2-10.1	5330-99-833-4278	2-9.8	4730-99-833-4896	2-12.3
6210-99-833-2649	2-10.11	2540-99-833-4281	2-9.7	2540-99-833-4898	2-8.3-5
2530-99-833-2865	2-6.8-5	2540-99-833-4282	2-9.7-10-25	2540-99-833-4898	2-8.5-5
2530-99-833-2866	2-6.8-16	2540-99-833-4283	2-9.22	5330-99-833-5410	2-5.14-82
5340-99-833-2877	2-6.10	4140-99-833-4286	2-9.13-9	2520-99-833-5415	2-5.13-33
4720-99-833-2884	2-6.10	2540-99-833-4287	2-9.12-12	2520-99-833-5416	2-5.13-32
5340-99-833-2891	2-8.2-3	2540-99-833-4289	2-9.14-9	2520-99-833-5417	2-5.13-6
5340-99-833-2891	2-8.4-4	5355-99-833-4290	2-9.15-1	2520-99-833-5418	2-5.14-87
2510-99-833-2893	2-8.2-2	2540-99-833-4291	2-9.15-12	2520-99-833-5419	2-5.13-31
2510-99-833-2893	2-8.4-3	5340-99-833-4293	2-9.25-8	2520-99-833-5421	2-5.13-45
5306-99-833-2894	2-8.2-15	2540-99-833-4295	2-9.28-21	3020-99-833-5424	2-5.13-15
2530-99-833-2899	2-6.8-14	4320-99-833-4296	2-9.28-12	2520-99-833-5430	2-5.13-1
2930-99-833-3009	2-2.3-14	5320-99-833-4297	2-9.27-11	4820-99-833-5526	2-6.18-32
5340-99-833-3013	2-2.3-5	4140-99-833-4299	2-1.37-13	4820-99-833-5526	2-6.32
5340-99-833-3193	2-13.30-2	2520-99-833-4483	2-5.16-1-32	4730-99-833-5528	2-6.11
2910-99-833-3454	2-3.1-11	3120-99-833-4486	2-5.13-2	4730-99-833-5528	2-6.12
5340-99-833-3455	2-3.1-16	3110-99-833-4487	2-5.13-3	4730-99-833-5528	2-6.13
2590-99-833-3457	2-1.51-13	3110-99-833-4488	2-5.13-27	4730-99-833-5528	2-6.13
4720-99-833-3458	2-1.51-15	3110-99-833-4488	2-5.13-5	4730-99-833-5528	2-6.14
2590-99-833-3459	2-1.51-10	2520-99-833-4489	2-5.14-100	4730-99-833-5528	2-6.14
4720-99-833-3460	2-1.51-12	3110-99-833-4490	2-5.13-20 & 22	4730-99-833-5528	2-6.23
5340-99-833-3461	2-1.51-3	2530-99-833-4539	2-5.22-19	4730-99-833-5528	2-6.24
4730-99-833-3462	2-1.51-16	2530-99-833-4540	2-5.22-20	4730-99-833-5528	2-6.25
4730-99-833-3463	2-1.51-17	2520-99-833-4543	2-5.31-11	4730-99-833-5528	2-6.26
4720-99-833-3464	2-1.51-1	2520-99-833-4543	2-5.31-6	4730-99-833-5528	2-6.27
5330-99-833-3465	2-1.51-19	2540-99-833-4620	2-6.5-7	4730-99-833-5528	2-6.31
5330-99-833-3466	2-1.53-3	5315-99-833-4624	2-6.30	4730-99-833-5529	2-6.11
4720-99-833-3467	2-1.53-13				

855

NATO Stock No./ Catalogue No.	Chapter, Page and Fig-Item No.	NATO Stock No./ Catalogue No.	Chapter, Page and Fig-Item No.	NATO Stock No./ Catalogue No.	Chapter, Page and Fig-Item No.
4730-99-833-5529	2-6.11	4710-99-833-8446	2-6.15	2815-99-836-1929	2-1.15-6
4730-99-833-5529	2-6.14	4710-99-833-8446	2-6.21	2815-99-836-1930	2-1.12-1-5
4730-99-833-5529	2-6.15	4710-99-833-8447	2-6.11	2520-99-836-1932	2-6.3-8
4730-99-833-5529	2-6.17	4710-99-833-8447	2-6.17	2930-99-836-1933	2-2.1-47
4730-99-833-5529	2-6.18	4710-99-833-8447	2-6.18	4720-99-836-1936	2-2.1-17
4730-99-833-5529	2-6.19	4710-99-833-8447	2-6.19	4720-99-836-1939	2-2.1-28
4730-99-833-5529	2-6.20	4710-99-833-8447	2-6.24	4720-99-836-1941	2-2.1-42
4730-99-833-5529	2-6.21	2530-99-833-9938	2-6.32	2590-99-836-1944	2-10.13
4730-99-833-5529	2-6.23	2540-99-833-9948	2-9.17-7-10	6220-99-836-1947	2-10.9-1-3
4730-99-833-5529	2-6.24	2590-99-834-1003	2-12.7-29	6220-99-836-1948	2-10.11
4730-99-833-5530	2-6.11	5310-99-834-1042	2-12.7-27	6210-99-836-1949	2-10.11
4730-99-833-5530	2-6.14	5310-99-834-1042	2-13.27-12	3020-99-836-3150	2-5.24-27
4730-99-833-5530	2-6.15	5330-99-834-1115	2-12.2	3020-99-836-3150	2-5.32-27
4730-99-833-5530	2-6.17	2540-99-834-1154	2-12.3-7	2530-99-836-3151	2-5.33-4
4730-99-833-5530	2-6.18	5310-99-834-1169	2-12.3-16	2910-99-836-3320	2-10.9-4-6
4730-99-833-5530	2-6.19	5310-99-834-1169	2-12.7-32	5930-99-836-3321	2-11.4-99
4730-99-833-5530	2-6.20	5315-99-834-1173	2-7-3.3	5945-99-836-3323	2-10.4-8
4730-99-833-5530	2-6.21	2540-99-834-1242	2-12.6-24	5930-99-836-3324	2-10.1-12
4730-99-833-5530	2-6.23	2540-99-834-1258	2-12.3-19	2910-99-836-3325	2-3.1-1-7
4730-99-833-5530	2-6.24	5315-99-834-1362	2-12.3-2	2910-99-836-3326	2-3.1-3
4730-99-833-5531	2-6.11	5315-99-834-1362	2-13.27-2	5330-99-836-3327	2-3.1-22
4730-99-833-5531	2-6.11	2540-99-834-1389	2-13.27-13	2940-99-836-3328	2-1.51-18
4730-99-833-5531	2-6.14	5330-99-834-1460	2-12.3-18	5945-99-836-3331	2-10.4-13
4730-99-833-5531	2-6.15	2540-99-834-1482	2-13.24-3	5930-99-836-3332	2-1.12
4730-99-833-5531	2-6.17	2540-99-834-1482	2-13.35-7	2590-99-836-3404	2-4.2-1
4730-99-833-5531	2-6.18	5920-99-834-1931	2-10.17	5360-99-836-3411	2-6.1
4730-99-833-5531	2-6.19	2610-99-834-7998	2-5.35	3040-99-836-3412	2-6.1-3
4730-99-833-5531	2-6.20	5365-99-834-9152	2-5.9-11	3040-99-836-3413	2-6.1
4730-99-833-5531	2-6.21	4820-99-835-0416	2-5.20-40	2590-99-836-3414	2-6.7
4730-99-833-5531	2-6.23	3020-99-835-0417	2-5.24-7	2590-99-836-3415	2-6.30
4730-99-833-5531	2-6.24	3020-99-835-0444	2-5.31-7	4710-99-836-3421	2-6.10
2530-99-833-5644	2-6.8-30	6220-99-835-0444	2-10.11	4710-99-836-3422	2-6.10
2530-99-833-5649	2-6.21	6220-99-835-0445	2-10.11	4710-99-836-3423	2-6.10
2530-99-833-5649	2-6.27-33	6685-99-835-0576	2-10.1-10	4710-99-836-3424	2-6.10
2510-99-833-6927	2-7-2.2-22	6685-99-835-0576	2-10.1-9	5340-99-836-3425	2-6.10
2510-99-833-6928	2-7-2.2-17	2540-99-835-0643	2-9.7-4-6	4710-99-836-3426	2-6.10
2510-99-833-6929	2-7-2.1-6	4730-99-835-0703	2-6.10-19	4710-99-836-3428	2-6.10
2540-99-833-6932	2-7-2.5-36-41	3020-99-835-0916	2-1.4A-23	4710-99-836-3429	2-6.10
2510-99-833-6933	2-7-2.5	2540-99-835-0924	2-9.18-30-3	2530-99-836-3433	2-7-2.5-33
2510-99-833-6934	2-7-2.5-36	2540-99-835-0925	3	5330-99-836-6624	2-5.2-2
2510-99-833-6935	2-7-2.5-39	2540-99-835-0926	2-9.7	2520-99-836-6625	2-5.4-16
2510-99-833-6937	2-7-2.5-37	4730-99-835-2632	2-9.7-7	2520-99-836-6625	2-5.6-1
2540-99-833-6938	2-7-2.5-41	2530-99-835-4323	2-3.1-7	3040-99-836-6626	2-5.6-12
2540-99-833-6940	2-7-2.5-42-46	2510-99-835-4458	2-6.32	3040-99-836-6627	2-5.5-26
2540-99-833-6941	2-7-2.5-42	5310-99-835-8121	2-7-2.1	2520-99-836-6628	2-5.10-28
2540-99-833-6942	2-7-2.5	6220-99-836-0349	2-6.32	2520-99-836-6630	2-5.10-39
2540-99-833-6943	2-7-2.5-43	2530-99-836-0998	2-10.7-10	2520-99-836-6631	2-5.9-15
2540-99-833-6944	2-7-2.5-45	5360-99-836-1394	2-5.26-4	2590-99-836-6663	2-6.7
2540-99-833-6945	2-7-2.5	3110-99-836-1395	2-1.8-8	2590-99-836-6665	2-6.7-1
2540-99-833-6946	2-7-2.5-44	3120-99-836-1396	2-1.36-10	6680-99-836-6666	2-10.1
5340-99-833-6974	2-10.19	3120-99-836-1397	2-1.4-16	2530-99-836-6668	2-6.32
5365-99-833-7387	2-13.24-26	4710-99-836-1403	2-1.4-16	2530-99-836-6671	2-6.17-1-21
5365-99-833-7388	2-13.24-9	4710-99-836-1403	2-6.12	2590-99-836-6672	2-6.21-5-11
5310-99-833-7389	2-13.24-10	4710-99-836-1403	2-6.13	2530-99-836-6673	2-6.19-1
4320-99-833-7392	2-13.27-3	4710-99-836-1403	2-6.24	2530-99-836-6674	2-6.8
4320-99-833-7393	2-13.27-14	2815-99-836-1923	2-6.27	2530-99-836-6675	2-6.9
2540-99-833-7450	2-9.22	2815-99-836-1923	2-1.16-1	2530-99-836-6676	2-6.8-31
6210-99-833-7775	2-10.18	2815-99-836-1925	2-1.16-2	2540-99-836-6677	2-8.1
5310-99-833-8025	2-11.6-16	2815-99-836-1926	2-1.16-3	2540-99-836-6678	2-8.1-1
4710-99-833-8445	2-6.31	2815-99-836-1927	2-1.16-4	2510-99-836-6679	2-8.2-7
		2815-99-836-1927	2-1.18-1-24	5310-99-836-6680	2-8.2-18
		2815-99-836-1928	2-1.17-1-27	5310-99-836-6680	2-8.4-14

559

INDEX OF NATO STOCK NUMBERS OR CATALOGUE NUMBERS

ARMY EQUIPMENT
SUPPORT PUBLICATION

2320-L-701-711

NATO Stock No./ Catalogue No.	Chapter, Page and Fig-Item No.	NATO Stock No./ Catalogue No.	Chapter, Page and Fig-Item No.	NATO Stock No./ Catalogue No.	Chapter, Page and Fig-Item No.
2510-99-836-6681	2-8.4-8	5330-99-838-2746	2-13.5-62	2520-99-838-4220	2-5.18
5330-99-836-6683	2-9.1	5330-99-838-2747	2-13.5-64	2520-99-838-4221	2-5.18
2540-99-836-6684	2-9.8-37	5330-99-838-2748	2-13.5-63	2520-99-838-4222	2-5.18
2540-99-836-6687	2-9.13-11	5330-99-838-2749	2-13.6-69	4320-99-838-4577	2-1.6-1-18
4730-99-836-7790	2-1.46-25	5315-99-838-2768	2-13.29-10	2940-99-838-4578	2-1.6
2530-99-836-8043	2-11.6-15	5360-99-838-2769	2-13.29-11	2815-99-838-4579	2-1.7
2530-99-836-8044	2-11.6-12	5355-99-838-2770	2-13.29-13	6620-99-838-4580	2-1.10-1
2530-99-836-8111	2-11.6-3	2590-99-838-2772	2-13.2-17	5340-99-838-4583	2-9.14-27
2530-99-836-8113	2-11.6-1-18	2590-99-838-2773	2-13.2-24	2990-99-838-4584	2-1.9
2530-99-836-8123	2-11.6-8	5330-99-838-2860	2-5.2	4730-99-838-4588	2-1.35-10
2530-99-836-8125	2-11.6-4	5330-99-838-2860	2-5.3	2930-99-838-4591	2-1.13-1
5340-99-836-8127	2-11.6-7	5340-99-838-3110	2-10.11	5365-99-838-4592	2-1.13-8
2530-99-836-8129	2-11.6-9-18	5940-99-838-3119	2-10.14	5360-99-838-4593	2-1.13-7
2530-99-836-8330	2-6.32	5330-99-838-3355	2-13.6-71	5330-99-838-4594	2-1.13
2530-99-836-8361	2-11.6-14	2590-99-838-3474	2-13.21-3	5307-99-838-4595	2-1.13
2530-99-836-8364	2-11.6-2	2590-99-838-3475	2-13.21-7	5310-99-838-4596	2-1.13
5330-99-836-8399	2-11.6-9	2590-99-838-3477	2-13.7-1	5330-99-838-4598	2-1.13
4320-99-837-4954	2-13.20-1-1 3	2590-99-838-3478	2-13.15-8	2815-99-838-4742	2-1.5-7-9
4320-99-837-4955	2-13.20-4-8	2590-99-838-3478	2-13.17-9	3120-99-838-4743	2-1.5-11
4320-99-837-4960	2-13.14-15	4810-99-838-3479	2-13.15-1-2 2	3120-99-838-4744	2-1.5-11
4320-99-837-4961	2-13.14-5-1 1	4030-99-838-3484	2-13.34-2-4	3120-99-838-4745	2-1.5-11
2590-99-837-6764	2-13.28-7	4030-99-838-3485	2-13.34-6	5310-99-838-4746	2-1.4A-26
3120-99-837-6771	2-13.33-3	4030-99-838-3486	2-13.34-9	2815-99-838-4747	2-1.8-7
2590-99-837-6775	2-13.33-13	2920-99-838-3540	2-1.42-1-60	2815-99-838-4748	2-1.2-11
5340-99-837-6777	2-13-1	2920-99-838-3541	2-1.42-1	2815-99-838-4749	2-1.8-1,2
5365-99-837-6780	2-13.32-23	6110-99-838-3542	2-1.42-5	2815-99-838-4750	2-1.8-2
2590-99-837-6781	2-13.32-21- 23	5940-99-838-3543	2-1.42-11	2815-99-838-4751	2-1.8
2590-99-837-6782	2-13.32-24- 25	5307-99-838-3544	2-1.42-15	5306-99-838-4753	2-1.9-24
5365-99-837-6783	2-13.32-29	5940-99-838-3546	2-1.42-21	5330-99-838-4754	2-1.8-15
2590-99-837-6784	2-13.32-27- 29	2590-99-838-3547	2-1.42-22	5306-99-838-4756	2-1.9-26
2590-99-837-6788	2-13.10-6	2920-99-838-3548	2-1.43-30	5305-99-838-4757	2-1.9-36
4730-99-837-6789	2-13.18	6220-99-838-3613	2-1.43-39	2815-99-838-4758	2-1.2-24
4810-99-837-6790	2-13.17-1-2 3	2910-99-838-4031	2-10.11	2815-99-838-4759	2-1.8
2590-99-837-6791	2-13.15	2910-99-838-4032	2-1.33	2815-99-838-4760	2-1.8
2590-99-837-6791	2-13.17	2910-99-838-4033	2-1.33	2815-99-838-4761	2-1.8
2590-99-837-6792	2-13.21-6	2910-99-838-4033	2-1.33	2815-99-838-4820	2-1.12-2,3
2590-99-837-6792	2-13.21-9	2910-99-838-4034	2-1.33	5340-99-838-4821	2-1.14-9
4710-99-837-6796	2-13-1	2910-99-838-4035	2-1.33	5340-99-838-4821	2-10.11
4710-99-837-6797	2-13-1	2815-99-838-4109	2-1.18-8	5340-99-838-4821	2-10.19
2530-99-837-7332	2-6.20-32	2815-99-838-4110	2-1.18-13	2930-99-838-4822	2-1.10-3
2990-99-837-8931	2-10.1-13	2815-99-838-4111	2-1.18	4730-99-838-4823	2-1.10-7
2520-99-838-0830	2-5.18	2815-99-838-4112	2-1.18	5330-99-838-4824	2-1.37-7
2520-99-838-2262	2-6.2	2815-99-838-4113	2-1.18	5330-99-838-4825	2-1.37-8
2350-99-838-2298	2-5.8-3	2815-99-838-4114	2-1.18	2930-99-838-4826	2-1.37-4-11
2590-99-838-2737	2-13.2	4730-99-838-4136	2-1.2-14	2930-99-838-4827	2-1.37-15
2590-99-838-2737	2-13.4-1-72	2815-99-838-4137	2-1.4-1,2	5307-99-838-4828	2-1.37-14
2590-99-838-2738	2-13.5-41-6 1	3120-99-838-4138	2-1.4-16	6685-99-838-4829	2-1.37
2590-99-838-2739	2-13.5-62-6 5	3120-99-838-4139	2-1.4-17	2815-99-838-4830	2-1.36-10-1 2
5305-99-838-2740	2-13.4-1	3120-99-838-4140	2-1.4-17	2520-99-838-4831	2-1.36-16-3 1
2590-99-838-2741	2-13.4-6	3120-99-838-4141	2-1.4-17	2520-99-838-4832	2-1.36
5307-99-838-2742	2-13.4-7	2815-99-838-4142	2-1.4-19	2520-99-838-4833	2-1.36-33
5310-99-838-2743	2-13.4-8	5306-99-838-4143	2-1.4A-21	2520-99-838-4834	2-1.36-34-3 7
5310-99-838-2744	2-13.4-9	5306-99-838-4144	2-1.4-20	2520-99-838-4835	2-5.11-20
5305-99-838-2745	2-13.5-61	2815-99-838-4145	2-1.5-1-6	5305-99-838-4837	2-5.11-7
		2815-99-838-4146	2-1.5-1-6	5340-99-838-4838	2-5.11-19
		2815-99-838-4147	2-1.5-2-4	5310-99-838-4838	2-5.11-8
		2815-99-838-4148	2-1.5-2-4	3120-99-838-4839	2-5.11-9
		2815-99-838-4149	2-1.5-2-4	2520-99-838-4840	2-5.11
		2540-99-838-4197	2-9.7-16		
		2540-99-838-4198	2-9.7-10		
		2540-99-838-4199	2-9.7-22		

095

NATO Stock No./ and Catalogue No.	Chapter, Page and Fig-Item No.	NATO Stock No./ and Catalogue No.	Chapter, Page and Fig-Item No.	NATO Stock No./ and Catalogue No.	Chapter, Page and Fig-Item No.
5330-99-838-4841	2-1.19	2910-99-838-5473	2-1.24-33	5330-99-838-5818	2-1.31-74
5330-99-838-4842	2-1.19	2910-99-838-5474	2-1.24-33	5330-99-838-5819	2-1.31-59
5330-99-838-4843	2-1.19	2910-99-838-5475	2-1.24-33	2910-99-838-5821	2-1.31-65
4730-99-838-4844	2-1.12	2910-99-838-5476	2-1.24-33	5330-99-838-5822	2-1.31-73
5365-99-838-4845	2-1.19	5330-99-838-5478	2-1.25-46	5330-99-838-5823	2-1.32-85
4730-99-838-4846	2-1.12	5360-99-838-5479	2-1.25-49	2910-99-838-5825	2-1.27-12
5330-99-838-4847	2-1.35-13	2910-99-838-5481	2-1.23-22	2910-99-838-5827	2-1.27-31
5330-99-838-4848	2-1.19	2910-99-838-5482	2-1.23-26	2910-99-838-5828	2-1.27-34
5330-99-838-4848	2-1.34-2	4730-99-838-5485	2-1.25-54	2910-99-838-5829	2-1.28-36
5330-99-838-4848	2-1.35-7	4730-99-838-5486	2-1.25	4320-99-838-5896	2-9.27
5330-99-838-4848	2-3.1	4730-99-838-5487	2-1.25-43	2520-99-838-6016	2-5.29-18-3 6
4320-99-838-4849	2-1.44-1-30	5330-99-838-5488	2-1.31-64	2520-99-838-6017	2-5.19-3
3120-99-838-4893	2-1.30-42	5330-99-838-5489	2-1.25-57	2520-99-838-6017	2-5.29-3
2815-99-838-4901	2-1.8	2910-99-838-5490	2-1.25-58	2520-99-838-6018	2-5.30-41
5330-99-838-4902	2-1.46-26	5330-99-838-5491	2-1.25-61	4720-99-838-6019	2-5.30
2530-99-838-4903	2-1.48-1	5330-99-838-5492	2-1.23-3	5340-99-838-6020	2-5.30
2530-99-838-4904	2-1.48-7	3120-99-838-5493	2-1.29-3	2530-99-838-6021	2-5.34-27
2530-99-838-4905	2-1.46-13	2910-99-838-5494	2-1.23-4	2530-99-838-6022	2-5.34
2530-99-838-4906	2-1.46-17	2910-99-838-5495	2-1.23-8	2520-99-838-6023	2-5.20-26
5365-99-838-4907	2-1.46-18	2910-99-838-5496	2-1.29-23	2520-99-838-6023	2-5.30-26
2530-99-838-4908	2-1.46-21	2910-99-838-5496	2-1.29-29	3020-99-838-6024	2-5.24
2530-99-838-4909	2-1.46-8	2910-99-838-5497	2-1.29-24	3020-99-838-6024	2-5.31-15
2530-99-838-4910	2-1.47	2910-99-838-5498	2-1.29-27	2590-99-838-6190	2-13.8A-8
2910-99-838-4911	2-1.33	5307-99-838-5499	2-1.12	2590-99-838-6191	2-13.8A-9
2910-99-838-4912	2-1.33	5360-99-838-5499	2-1.29-28	2590-99-838-6192	2-13.8A-11
4310-99-838-4923	2-1.46-1-34	5360-99-838-5500	2-1.40-29	5360-99-838-6193	2-13.8A-12
2920-99-838-5139	2-1.40-2	2920-99-838-5502	2-1.40-27	2910-99-838-6209	2-1.25-50
5360-99-838-5140	2-1.40-3	2920-99-838-5503	2-1.40-40,4 1	5365-99-838-6210	2-1.23-10
3120-99-838-5141	2-1.40-48			5365-99-838-6211	2-1.23-9
5360-99-838-5142	2-1.40-5	2920-99-838-5504	2-1.40-22	3110-99-838-6212	2-1.23-11
5940-99-838-5143	2-1.40-10	2920-99-838-5504	2-10.11	5330-99-838-6213	2-1.23-12
5970-99-838-5144	2-1.40-11	5970-99-838-5505	2-1.40-23	2910-99-838-6214	2-1.23-27
5310-99-838-5145	2-1.40-14	5305-99-838-5506	2-1.38-30	5365-99-838-6215	2-1.29-17
5362-99-838-5146	2-1.40-15	5970-99-838-5507	2-1.38-4	2910-99-838-6216	2-1.30-38
2920-99-838-5147	2-1.40-35,3 6	5970-99-838-5508	2-1.38	5365-99-838-6217	2-1.31-53
		2920-99-838-5509	2-1.38-8	5340-99-838-6218	2-1.30-43
2920-99-838-5148	2-1.40-28-3 4	5330-99-838-5510	2-1.38-16	3110-99-838-6219	2-1.30-45
		5330-99-838-5511	2-1.38-19	2910-99-838-6220	2-1.30-46
2815-99-838-5410	2-1.17-15	5330-99-838-5512	2-1.38-20	2910-99-838-6221	2-1.27-25
2815-99-838-5411	2-1.17	3120-99-838-5513	2-1.38-39	5315-99-838-6222	2-1.27-33
2815-99-838-5412	2-1.17-3	5360-99-838-5514	2-1.38-43	5315-99-838-6222	2-1.28-37
3130-99-838-5413	2-1.17-1	3120-99-838-5515	2-1.39-44	5315-99-838-6223	2-5.6-20
2815-99-838-5414	2-1.17-5	3120-99-838-5516	2-1.39-46	5365-99-838-6224	2-5.6-10
3130-99-838-5418	2-1.17-6	3120-99-838-5517	2-1.38-32	2520-99-838-6225	2-5.6-13
3120-99-838-5419	2-1.17-9	5360-99-838-5518	2-1.39-52	2520-99-838-6226	2-5.4-18
2815-99-838-5421	2-1.17-10	2920-99-838-5519	2-1.39-54	2520-99-838-6227	2-5.8-5
2815-99-838-5422	2-1.17	2920-99-838-5522	2-1.41	2520-99-838-6228	2-5.8-10
5330-99-838-5423	2-1.17-12	2920-99-838-5523	2-1.39	5310-99-838-6230	2-5.9-13
2815-99-838-5424	2-1.17	3120-99-838-5804	2-1.30-44	2520-99-838-6231	2-5.10-27
5365-99-838-5425	2-1.17	3120-99-838-5805	2-1.30-44	5360-99-838-6232	2-5.10-29
2910-99-838-5462	2-1.23-28-3 1	3120-99-838-5806	2-1.30-44	5360-99-838-6233	2-5.10-30
		3120-99-838-5807	2-1.30-44	2520-99-838-6234	2-5.10-31
2910-99-838-5463	2-1.23-28	5365-99-838-5808	2-1.30-47	2520-99-838-6235	2-5.10-32
2910-99-838-5464	2-1.23-29	5365-99-838-5809	2-1.30-47	5365-99-838-6236	2-5.10-33
2910-99-838-5465	2-1.23-33	5365-99-838-5810	2-1.30-47	2520-99-838-6237	2-5.10-37
2910-99-838-5466	2-1.23-33	5365-99-838-5811	2-1.30-47	6680-99-838-6238	2-5.2-7
2910-99-838-5467	2-1.23-33	5365-99-838-5812	2-1.30-47	5330-99-838-6239	2-5.2-17
2910-99-838-5468	2-1.24-33	5365-99-838-5813	2-1.30-47	5365-99-838-6240	2-5.9-9
2910-99-838-5469	2-1.24-33	5365-99-838-5814	2-1.30-47	2520-99-838-6242	2-5.10
2910-99-838-5470	2-1.24-33	5365-99-838-5815	2-1.31-47	2520-99-838-6889	2-5.19-18-3 5
2910-99-838-5471	2-1.24-33	5365-99-838-5816	2-1.31-47		
2910-99-838-5472	2-1.24-33	5365-99-838-5817	2-1.31-47		

195

879

NATO Stock No./ Catalogue No.	Chapter, Page and Fig-Item No.	NATO Stock No./ Catalogue No.	Chapter, Page and Fig-Item No.	NATO Stock No./ Catalogue No.	Chapter, Page and Fig-Item No.
5360-99-838-6890	2-5.26-23	3120-99-848-0578	2-11.9-11	5310-99-895-2370	2-1.11-23
4730-99-838-7122	2-6.28-2	2590-99-848-0584	2-11.9-26	2805-99-895-2434	2-1.11
4320-99-838-8170	2-1.45-20	2590-99-848-0617	2-11.9-14	5310-99-895-2470	2-1.8-20
4730-99-838-8171	2-1.45-21	3120-99-848-0647	2-11.2-32	2590-99-895-2639	2-10.19
4730-99-838-8172	2-1.45	3120-99-848-0648	2-11.1-29	2930-99-895-2647	2-1.2-16
4730-99-838-8173	2-1.45	3120-99-848-0674	2-11.10-24	5940-99-895-2672	2-10.13
2590-99-838-9036	2-10.18	3120-99-848-0674	2-11.10-35	2805-99-895-4198	2-1.8-5
2590-99-839-0445	2-13.28-21	2510-99-848-5570	2-8.6-7	2805-99-895-4358	2-1.8-17
2590-99-839-0447	2-13.8-1-8	2540-99-848-6984	2-8.6-10	5940-99-895-4406	2-10.13
3110-99-839-0448	2-13.8-4	6240-99-853-3244	2-10.9-2	5940-99-895-4406	2-10.14
2590-99-839-0449	2-13.8-8	3120-99-873-9433	2-1.8-19	5940-99-895-4406	2-10.15
2520-99-839-2769	2-6.2-18-20	3120-99-874-0005	2-11.10-3	2930-99-895-9519	2-2.1-4
2590-99-839-3660	2-13.16-6-1 8	3120-99-874-0005	2-11.10-5	5365-99-910-8205	2-5.24-28
4320-99-839-3676	2-13.27-1-2 6	4730-99-874-0706	2-1.12	5365-99-910-8205	2-5.26-25
2590-99-839-3684	2-11.3-93	5330-99-874-0750	2-9.18-20	5365-99-910-8205	2-5.32-28
2520-99-839-3690	2-5.13-23	5340-99-874-0908	2-1.2-19	5365-99-910-8205	2-5.34-30
5330-99-839-3691	2-5.14-48	5340-99-874-0910	2-9.15-10	5365-99-910-8207	2-5.21-16
5330-99-839-3691	2-5.15	3120-99-874-1042	2-11.9-10	5365-99-910-8212	2-11.3-68
4730-99-839-3692	2-6.14-15	5315-99-874-1043	2-11.2-37	5365-99-910-8238	2-1.43-42
4730-99-839-3692	2-6.34	3120-99-874-1047	2-11.1-2	5365-99-910-8274	2-1.48-10
4730-99-839-3693	2-6.16-13	3120-99-874-1047	2-11.1-24	5365-99-910-8329	2-1.45-24
4730-99-839-3693	2-6.23-3	2590-99-874-1048	2-11.2-38	5365-99-914-0215	2-1.31-58
4730-99-839-3694	2-6.26-18	2590-99-874-1050	2-11.1-11	3110-99-914-4250	2-1.43-46
4730-99-839-3696	2-6.28-6	5310-99-874-1053	2-11.2-55	5330-99-915-5469	2-5.21-13
4730-99-839-3697	2-6.34	5330-99-874-1058	2-11.1-9	3110-99-923-2278	2-12.2-4
2540-99-839-3710	2-14.7	2590-99-874-1059	2-11.1-26	5305-99-941-3649	2-11.7-22
5340-99-839-3728	2-9.14	5330-99-874-1060	2-11.2-49	3120-99-941-6655	2-1.46-28
2530-99-839-3778	2-6.35	2590-99-874-1063	2-11.9-1	5310-99-941-6657	2-5.19-10
5975-99-839-3864	2-10.17	5315-99-874-1068	2-11.10-36	3110-99-942-5751	2-5.21-15
4820-99-839-4297	2-6.30	2590-99-874-1071	2-11.9-2	4720-99-942-7724	2-2.1-16
2540-99-839-5134	2-14.7	3120-99-874-1735	2-1.11-6	4730-99-942-7808	2-11.10-16
2815-99-839-5159	2-1.50	3120-99-874-1735	2-1.2	4730-99-942-7808	2-11.11-49
2815-99-839-5160	2-1.50	2805-99-874-1750	2-10.19	4730-99-942-7808	2-11.11-60
5330-99-839-5691	2-5.14-78	5315-99-874-2281	2-11.1-16	4730-99-942-7808	2-11.9-25
4730-99-839-6392	2-6.14-9	5365-99-874-2281	2-11.1-23	4730-99-942-7808	2-12.10
4730-99-839-6392	2-6.34	2590-99-874-2318	2-11.9-19	4730-99-942-7808	2-5.20
3110-99-839-7098	2-5.16-7	5940-99-881-2627	2-10.13	5365-99-942-7986	2-5.25-33
2590-99-845-5653	2-13.21-14	5940-99-881-2627	2-10.15	5365-99-942-7986	2-5.32-33
3120-99-848-0132	2-11.10-14	5975-99-881-2916	2-10.13	5330-99-942-8489	2-6.32
3120-99-848-0132	2-11.10-20	5975-99-881-2916	2-10.14	5330-99-943-0632	2-12.4-6
3120-99-848-0132	2-11.13	5940-99-881-2918	2-10.13	5330-99-943-0632	2-12.8
3120-99-848-0132	2-11.9-27	5975-99-881-3387	2-10.16	5365-99-943-5798	2-1.29-30
2590-99-848-0151	2-11.10-40	5975-99-881-3387	2-10.16	5315-99-943-5956	2-1.43-44
2590-99-848-0151	2-11.12-19	5975-99-881-3387	2-10.17	5330-99-943-6628	2-14.2
2590-99-848-0211	2-11.9-26-2 7	5940-99-881-5617	2-10.16	5330-99-943-6628	2-6.10
5310-99-848-0257	2-11.3-84	3120-99-881-6102	2-1.23-2	4730-99-943-9374	2-11.12-12
2590-99-848-0275	2-11.3-69	5315-99-881-6139	2-1.29-25	4730-99-943-9374	2-11.12-8
2590-99-848-0279	2-11.3-72	5310-99-881-6140	2-1.27-15	4730-99-943-9374	2-6.8-47
2590-99-848-0280	2-11.3-62	5315-99-881-6140	2-1.29-26	4730-99-943-9374	2-6.8-53
2590-99-848-0284	2-11.3-80	5310-99-881-6167	2-1.32-78	4730-99-943-9383	2-11.10-31
5310-99-848-0285	2-11.3-58	2910-99-881-6168	2-1.23-32	4730-99-943-9383	2-11.11-57
2590-99-848-0286	2-11.3-79	5310-99-881-8606	2-1.39-53	4730-99-943-9383	2-11.13
5310-99-848-0288	2-11.3-83	5975-99-881-9388	2-10.13	5330-99-943-9547	2-12.6-13
5340-99-848-0289	2-11.3-61	5975-99-881-9388	2-10.14	5330-99-943-9547	2-12.8
5340-99-848-0290	2-11.3	5975-99-881-9388	2-10.15	5330-99-945-0392	2-13.27-15
5340-99-848-0291	2-11.3	5975-99-881-9388	2-10.16	3110-99-950-0572	2-13.27-23
5340-99-848-0292	2-11.3-76	6220-99-882-0195	2-10.7	3110-99-950-0573	2-12.3-4
5307-99-848-0293	2-11.1-3	2530-99-882-0330	2-6.20	3110-99-950-0573	2-13.27-4
5307-99-848-0294	2-11.1-4	2805-99-895-0110	2-1.36-12	3110-99-950-0573	2-5.10-34
		5320-99-895-0461	2-9.1	3110-99-950-0574	2-5.14-94
		5310-99-895-0659	2-1.11-22	3110-99-950-0576	2-11.9-17
		5310-99-895-2225	2-3.1-4	3110-99-950-0576	2-12.3-13

NATO Stock No./ Catalogue No.	Chapter, Page and Fig-Item No.	NATO Stock No./ Catalogue No.	Chapter, Page and Fig-Item No.	NATO Stock No./ Catalogue No.	Chapter, Page and Fig-Item No.
3110-99-950-0577	2-12.6-23				
3110-99-950-0582	2-1.39-50				
3110-99-950-0754	2-13.24-11				
3110-99-950-2072	2-1.43-43				
3110-99-950-2089	2-11.3-71				
5975-99-960-3522	2-10.12				
5975-99-960-3522	2-10.19				
5330-99-970-8512	2-12.4-3				
5340-99-974-7854	2-9.1				
4730-99-974-8239	2-6.25-6				
4730-99-974-8239	2-6.26-27				
5340-99-974-9106	2-9.19-10				
5306-99-977-0001	2-13.27-26				
5325-99-977-0338	2-10.1				
5310-99-977-0339	2-6.29				
5307-99-977-0955	2-5.22-10				
5307-99-977-0956	2-5.22				
5310-99-977-0973	2-5.24-13				
5310-99-977-0973	2-5.31-13				
5307-99-977-1683	2-5.21-1				
5307-99-977-1684	2-5.21				
5307-99-977-3946	2-5.23-27				
5305-99-977-4564	2-9.18-3				
5310-99-977-8416	2-1.38-23				
5310-99-977-8416	2-1.40-17				
5310-99-977-8606	2-1.23-16				
5306-99-977-8610	2-1.25-60				
5310-99-977-8614	2-1.31-51				
5305-99-977-8621	2-1.27-30				
5305-99-977-8622	2-1.28-39				
5306-99-977-9030	2-13.28-9				
5315-99-977-9031	2-13.29-4				
5310-99-977-9034	2-13.4-12				
5310-99-977-9035	2-13.4-11				
5310-99-977-9036	2-13.4-10				
5310-99-977-9037	2-13.4-9				
5310-99-977-9038	2-13.8-6				
5306-99-977-9039	2-13.17-3				
5330-99-977-9252	2-1.46-19				
5307-99-977-9941	2-5.30-35				
5305-99-977-9991	2-1.38-31				
2805-99-978-1747	2-1.36				
3110-99-978-1748	2-1.36				
4320-99-983-2516	2-1.45-4				
6240-99-995-1287	2-10.2				
6240-99-995-2253	2-10.11				
6240-99-995-2253	2-10.8-15				
6240-99-995-2525	2-10.11				
6240-99-995-3244	2-10.11				
6240-99-995-3244	2-10.8-8				
6240-99-995-3288	2-10.9-5				
6240-99-995-4441	2-10.7-11				
6240-99-995-4529	2-10.2				
6240-99-995-4529	2-10.2				
6240-99-995-9145	2-10.2				
6240-99-995-9145	2-12.8-7				
5340-99-999-5988	2-7-3.2-20				

563

564

582

CHAPTER 4

INDEX OF PART NUMBERS/DRAWING NUMBERS

S45

Issued Nov 1983

566

584

CHAPTER 4

INDEX OF PART NUMBERS/DRAWING NUMBERS

567

Issued Nov 1983

585

Makers Part/Drawing No.	Chapter, Page and Fig-item No.	Makers Part/Drawing No.	Chapter, Page and Fig-item No.	Makers Part/Drawing No.	Chapter, Page and Fig-item No.
AC5RV1266490	2-1.42-1-60	A40253B	2-12.3-6	CDR266663	2-5.26
AD13/27	2-13.22-2	A40882	2-12.6-17	CDR266664	2-5.26-22
AD75B/43	2-12.2-1-9	A40883	2-12.6-20	CH1366-3	2-14.3
AD75B/43NC	2-13.23-1-9	A51612	2-12.8-9	CH78121	2-9.13-3
AGS 1139CA	2-11.2-51	A51613	2-12.8-10	CKD63480	2-5.2-17
AMP153228-1	2-10.14	A52536E	2-12.9-7	CKD63523	2-5.6-20
APC4	2-12.8-13	A52537E	2-12.9-13	CKE7602	2-5.10-41
APF4-2	2-12.8-12	A52538E	2-12.9-19	CM50022CB	2-9.22
APF4/4	2-12.8-15	A53397	2-12.1-19	CP140A	2-13.24-15
APGA 10136T	2-6.32	A53398	2-12.1-10	CP149	2-13.25-29
APGA1617	2-6.2-18-20	A53889	2-12.10-24	CP159	2-13.26-6
APGA 2131T	2-11.6-1-18	A54467	2-12.1-12	CT 3509	2-1.52
APGA 6447X	2-6.14-1	A574	2-10.13	CV3099	2-1.25-62
APGA 6580AX	2-6.28-1-2	BCM0103	2-10.17	CWG 10512	2-11.2-34
APN4-35	2-12.8-11	BCM0404	2-10.15	CWG 10513	2-11.2-33
APSA 10289	2-6.21-21	BC65ND	2-1.27-1-43	CWG10522	2-11.1-11
APSA 10289	2-6.32	BF278/1	2-7-3.3-24	CWG10593	2-11.1-26
APSA 1842	2-6.32	BF319	2-7-3.3-21	CWG 10594	2-11.2
APSA 2553	2-1.48-8-12	BF38	2-7-3.3	CWG 13522	2-11.2-45
APSA4707B-21	2-6.21-3-4	BF424	2-7-3.1-3	CWG 13538	2-11.3-85
APSA 558	2-6.19-5	BF429	2-7-3.3	CWG13586	2-11.11-61
APSA 7162	2-6.32	BF453	2-7-3.1-7	CWG13619	2-11.10-28
APSA7284-4	2-10.4-1	BF531	2-7-3.2-11	CWG13628	2-11.10-42
APSA821/U/71	2-11.6-9-18	BF544	2-7-3.1	CWG13630	2-11.11-48
AP11062	2-6.32	BF545	2-7-3.1-10	CWG13631	2-11.11-46
AP14735	2-6.17-4	BF548	2-7-3.3-22	CWG13632	2-11.10-39
AP16999	2-6.2-19	BF550/L	2-7-3.2-18	CWG13647	2-11.10-13-
AP17412	2-6.32	BF550/R	2-7-3.2-19		14
AP18111-1FV	2-11.6-12	BF551	2-7-3.3-23	CWG13647	2-11.10-19-
AP1922 FV	2-11.6-3	BF552	2-7-3.1-6		20
AP4261-1FV	2-11.6-14	BF560	2-7-3.2-12	CWG14052	2-11.11
AP6014-1FV	2-11.6-2	BRS 1217	2-14.1	CWG14053	2-11.10-23-
AP8080	2-11.6-10	BTR83NY	2-12.1-9		24
AP8097FV	2-11.6-15	BWG10505	2-11.1-19	CWG14053	2-11.10-34-
AP8112FV	2-11.6-9	BWG10506	2-11.1-14		35
AP8298	2-11.6-13	BWG 10514	2-11.2-38	CWG14054	2-11.10-23
AP8609-1	2-11.6-7	BWG 13523	2-11.2-50	CWG14054	2-11.10-34
AP8610FV	2-11.6-8	BWG13524	2-11.1-25	CWG14102	2-11.12-2
AP9522-6	2-6.14	BWG13534	2-11.10-4	CWG14109	2-11.11
AWG 10609	2-11.9-1	BWG13535	2-11.10-15	CWG14109	2-11.12-4
AWG 13121	2-11.4	BWG13535	2-11.10-21	CWG14112	2-11.11
AWG13509	2-11.1-1-11	BWG13536	2-11.10-13	CWG14112	2-11.12-9
	5	BWG13536	2-11.10-19	CWG14114	2-11.11
AWG13650	2-11.10-2	BWG13550	2-11.1-27-3	CWG14114	2-11.12-11
AWG13651	2-11.10-2-3		2	CWG14245	2-11.11
AWG13652	2-11.10-4-5	BWG13551	2-11.1-1	CWG14257	2-11.12-17
AWG13663	2-11.10-6	BWG13554	2-11.11	CWG14284	2-11.1
AWG13670	2-11.10-7	BWG13654	2-11.11-52	CWG14285	2-11.1
AWG 13976	2-11.7-2-31	BWG14093	2-11.13	CWG14286	2-11.1
AWG14101	2-11.12-1	BWG14097	2-11.13	CWG14287	2-11.1
AWG 14171	2-11.3-94	BWG14240	2-11.11-44	C1	2-10.19
AWG 14171	2-11.7-1	BWG14252	2-11.10-33	C5NN3N585B	2-6.10-3
AWG14251	2-11.10-1	BWG14258	2-11.4	C53286-1	2-10.18
AZA314T	2-1.52	B11716	2-7-3.1-4	C604	2-6.31
A1002-2	2-10.14	B7	2-14.2	C604 GREEN	2-6.17
A1199J166	2-5.14-100	B8	2-10.16	C604 GREEN	2-6.24
A205	2-7-1.1-5	B8	2-14.2	C604 ORANGE	2-6.18
A205	2-7-2.1-2	B9	2-10.16	C604 ORANGE	2-6.24
A24860C	2-12.9-2	B9	2-10.17	C606	2-6.30
A33621	2-12.1-27	CBT3	2-10.17	C606 GREEN	2-6.12
A35692A	2-12.5-3	CBT5	2-10.17	C606 GREEN	2-6.13
A38265	2-12.5-6	CC27/1	2-12.4	C606 GREEN	2-6.24

Makers Part/Drawing No.	Chapter, Page and Fig-item No.	Makers Part/Drawing No.	Chapter, Page and Fig-item No.	Makers Part/Drawing No.	Chapter, Page and Fig-item No.
C606 GREEN	2-6.27	DWG13623	2-11.10	FV1068760	2-14.7
C606 ORANGE	2-6.12	DWG13624	2-11.11-62	FV1068762/1	2-14.5
C606 ORANGE	2-6.13	DWG13627	2-11.11-58	FV1068762/2	2-14.5
C606 ORANGE	2-6.25	DWG13653	2-11.11-46-	FV1068762/3	2-14.5
C606 ORANGE	2-6.26		47	FV1068763	2-14.5
C606 ORANGE	2-6.27	DWG13671	2-11.10-9	FV1068764	2-14.5
C606 YELLOW	2-6.11	DWG 1382	2-11.9-10	FV1068765	2-14.3
C606 YELLOW	2-6.12	DWG 1383	2-11.9-11	FV1068766	2-14.4
C606 YELLOW	2-6.13	DWG 1384	2-11.9-12	FV1068770	2-14.3
C606 YELLOW	2-6.14	DWG14110	2-11.12-3	FV1068771	2-14.3
C606 YELLOW	2-6.23	DWG14111	2-11.12-6	FV1068773	2-14.4
C606 YELLOW	2-6.25	DWG14120	2-11.12-4-5	FV1068774	2-14.4
C606 YELLOW	2-6.26	DWG14121	2-11.12-9-1	FV1068776	2-14.4
C606 YELLOW	2-6.27		0	FV1068780	2-14.4
C608 BLACK	2-6.20	DWG 14223	2-11.4-104	FV1068781	2-14.5
C608 ORANGE	2-6.23	DWG 14260	2-11.2	FV1068812/1	2-14.2
C608 RED	2-6.11	DWG 1458	2-11.9-9-10	FV1068812/2	2-14.6
C608 RED	2-6.17	DWG1818	2-11.10-5	FV107819	2-14.1
C608 RED	2-6.18	DWG2413	2-11.10-24	FV1078910	2-14.1
C608 RED	2-6.19	DWG2413	2-11.10-35	FV1078916	2-14.1
C608 RED	2-6.24	DWG 2413	2-11.2-32	FV1078917	2-14.1
C608 YELLOW	2-6.14	DW3413	2-6.18-32	FV1078917	2-14.1
C608 YELLOW	2-6.15	DW3413	2-6.32	FV1078918	2-14.1
C608 YELLOW	2-6.21	ED1100303700X03	2-12.9-1-29	FV1078921	2-14.1
DL-1	2-10.11	EWG1007	2-11.10-14	FV1078922	2-14.1
DL-1	2-10.11	EWG1007	2-11.10-20	FV1078927	2-14.1
DL-1	2-10.11	EWG1007	2-11.13	FV1078928	2-14.1
DL-1	2-10.2	EWG10580	2-11.1-5	FV1078931	2-14.1
DL-1	2-10.8-8	EWG10584	2-11.1-17	FV1078937	2-14.1
DL-1	2-10.9-2	EWG10585	2-11.1	FV1078938	2-14.1
DL-1	2-10.9-5	EWG10586	2-11.1	FV1078939	2-14.1
DL1A	2-10.7-11	EWG 10657	2-11.9-2	FV1078940	2-14.1
DP136-105	2-12.2-7	EWG 10658	2-11.9-19	FV1078941	2-14.1
DP136/1.440/H	2-12.1-25	EWG 10663	2-11.9-24	FV1078942	2-14.1
DP136/105	2-13.23-7	EWG 10664	2-11.9-28	FV1078944	2-14.1
DP136/940	2-13.24-25	EWG1252	2-11.10-40	FV1078946	2-14.1
DP152	2-13.24-26	EWG1252	2-11.12-19	FV1078948	2-14.2
DP184	2-13.35	EWG 14256	2-11.9-22	FV1078950	2-14.3
DP195	2-12.4-11	EWG 1482	2-11.9-14	FV1078959	2-14.4
DP196	2-12.4-13	EWG2483	2-11.1-29	FV1078960	2-14.4
DP236	2-13.24-10	EWG 3236	2-11.2-37	FV1078970	2-14.6
DP243	2-13.24-9	EWG3348	2-11.1-16	FV156540	2-11.3-84
DWG1018	2-11.10-3	EWG3348	2-11.1-23	FV156658	2-11.3-69
DWG10504	2-11.1-2	EWS300	2-12.9-21	FV156664	2-11.3
DWG10504	2-11.1-24	EWS362	2-12.9-15	FV156664	2-11.3-72
DWG10509	2-11.1-22	E2800	2-7-3.2-14,	FV156665	2-11.3-62
DWG10516	2-11.1-18		15	FV156671	2-11.3-80
DWG 10546	2-11.2-55	E620	2-12.3-2	FV156674	2-11.3-58
DWG 10578	2-11.3-93	E620	2-13.27-2	FV156675	2-11.3-79
DWG10592	2-11.1-9	FC93	2-13.27-14	FV156682	2-11.3-83
DWG 10594	2-11.2-49	FK1008-13	2-13.35-7	FV156683	2-11.3-61
DWG 10598	2-11.3-77	FK1008/13	2-13.24-3	FV156684	2-11.3
DWG13018	2-11.11	FL189G ITEM 4	2-7-3.1-1	FV156688	2-11.3-76
DWG 13314	2-11.2-56	F0520459	2-10.17	FV156691	2-11.1-3
DWG 13521	2-11.2-36	FP3349	2-6.10-2	FV156692	2-11.1-4
DWG 13527	2-11.4	FVS61-1S	2-11.3-64	FV159858	2-7-2.1
DWG 13555	2-11.4-111	FV1025609	2-7-2.2	FV192486	2-7-2.1
DWG 13556	2-11.4-113	FV1068755	2-14.4	FV192488	2-7-2.2
DWG 13557	2-11.3-95	FV1068756	2-14.4	FV192489	2-7-2.2
DWG13620	2-11.10-26	FV1068757	2-14.6	FV192491	2-7-2.2
DWG13621	2-11.11-47	FV1068758	2-14.6	FV192493	2-7-2.2
DWG13622	2-11.11-50	FV1068759	2-14.6	FV192721	2-8.6-1

569

587

Makers Part/Drawing No.	Chapter, Page and Fig-Item No.	Makers Part/Drawing No.	Chapter, Page and Fig-Item No.	Makers Part/Drawing No.	Chapter, Page and Fig-Item No.
FV1968761	2-14.7	FV781911/2	2-14.7	FV846105	2-7-1.1-1
FV209419	2-11.9-26-2 7	FV781912/11	2-14.5	FV846111	2-7-2.1-7
FV209420	2-11.9-26	FV781913/9	2-14.4	FV846118	2-7-2.2
FV209421	2-11.9-27	FV782149	2-14.5	FV846120	2-7-1.1-7
FV209869	2-11.7-3	FV782169	2-14.4	FV846120	2-7-2.2
FV209872	2-11.7	FV782174	2-14.3	FV846151	2-7-2.1
FV209873	2-11.7	FV782175	2-14.2	FV846158	2-7-1.2
FV209875	2-11.7-24	FV7821752	2-14.2	FV846161	2-7-2.3
FV209876	2-11.7-15	FV782180	2-14.5	FV846195	2-7-1.1
FV209877	2-11.7-14	FV782182	2-14.1	FV846195	2-7-2.3
FV209878	2-11.8-27	FV782183	2-14.6	FV846196	2-7-1.1-10
FV209879	2-11.8	FV782192	2-14.7	FV846196	2-7-2.3-26
FV209880	2-11.7-22	FV782193	2-14.6	FV846197	2-7-1.1
FV209881	2-11.8	FV782196	2-14.6	FV846197	2-7-2.1
FV209884	2-11.7-21	FV782196	2-14.7	FV846198	2-7-1.2
FV209891	2-11.7-13	FV782205	2-14.3	FV846198	2-7-2.3
FV209895	2-11.7-9	FV782206	2-14.3	FV846198	2-7-2.1
FV209896	2-11.8-26	FV782207	2-14.3	FV877216	2-7-2.1
FV297730	2-8.6-10	FV782208	2-14.6	FV926233	2-8.6-9
FV333632	2-7-2.2	FV782209	2-14.3	FV939003	2-10.11
FV402167	2-8.6-7	FV782210	2-14.3	FV939004	2-10.11
FV402178	2-8.6-4	FV782227	2-14.3	FV993653	2-7-1.2-11
FV402179	2-8.6-5	FV782238	2-14.5	FV993653	2-7-2.3-27
FV516	2-14.1	FV782241	2-14.5	FV993656	2-7-1.2
FV580287	2-10.16	FV782242	2-14.4	FV993656	2-7-2.3
FV580287	2-10.17	FV782242	2-14.5	FV993657	2-7-2.2
FV580287	2-14.2	FV782246/10	2-14.7	FV993657	2-7-2.1
FV586292-6	2-14.2	FV782246/11	2-14.7	FV993658	2-7-2.1
FV586406	2-14.2	FV782246/5	2-14.7	FV993686	2-7-2.5
FV586407	2-14.2	FV782246/6	2-14.7	FV993687	2-7-2.1
FV586412	2-14.2	FV782246/7	2-14.6	FV993690	2-7-2.5-40
FV586413	2-14.2	FV782246/8	2-14.6	FV993691	2-7-2.5
FV586518-6	2-14.2	FV782246/8	2-14.7	FV993692	2-7-2.5-38
FV602488	2-14.2	FV782246/9	2-14.7	FV993693	2-7-2.1-4
FV620746	2-10.16	FV798047	2-10.8-16	FV993694	2-7-2.1-3
FV634272	2-10.11	FV798082	2-10.7-10	FV993696	2-7-2.1
FV689466-27	2-7-2.3	FV812248	2-7-1.1	FV993697	2-7-2.1
FV689502	2-7-2.5-46	FV831279	2-7-2.2	FW115	2-13.22-11
FV689543	2-7-3.1-8,9	FV846005	2-7-2.2-22	FW119/1	2-13.22-7
FV702033	2-7-1.1	FV846006	2-7-2.2-17	FW120	2-13.22-8
FV702033	2-7-2.1-8	FV846007	2-7-2.1-6	FW14	2-13.22-10
FV718911/2	2-14.7	FV846010	2-7-2.1	FW16	2-12.2
FV721665	2-14.4	FV846011	2-7-2.1-5	FW19/1	2-12.1-28
FV721688	2-14.4	FV846030	2-7-2.5-36-41	FW25	2-12.2
FV721692	2-14.3	FV846031	2-7-2.5-42	FW25	2-13.22-1
FV721699	2-14.3	FV846032	2-7-2.5	GA28698	2-6.2
FV721702	2-14.4	FV846033	2-7-2.5-36	GA28737	2-6.21
FV721772	2-14.3	FV846034	2-7-2.5-39	GA 28752	2-6.14
FV721819	2-14.6	FV846036	2-7-2.5-37	GA29011	2-6.28
FV721819	2-14.7	FV846037	2-7-2.5-41	GA29021	2-6.32
FV722019	2-14.1	FV846040	2-7-2.5-42-46	GA29084	2-6.20
FV724938	2-7-1.1-8	FV846041	2-7-2.5-42	GA 29116	2-1.47
FV724938	2-7-2.5-30	FV846042	2-7-2.5-42	GA29137	2-6.17
FV724938	2-7-3.2-13	FV846043	2-7-2.5	GS157	2-12.2-2
FV777842	2-7-2.1	FV846044	2-7-2.5-43	GS157	2-13.23-2
FV781809	2-14.4	FV846045	2-7-2.5-45	GS213	2-13.24-18
FV781832	2-14.6	FV846046	2-7-2.5	GS47B	2-12.1-26
FV781836	2-14.3	FV846046	2-7-2.5-44	GW447/15	2-12.1-21
FV781867/2	2-14.3	FV846077	2-7-1.1-6	GW447/15	2-13.24-24
FV781870	2-14.3	FV846080	2-7-1.1-9	GW457	2-12.1-22
FV781911/2	2-14.6	FV846080	2-7-2.3-25	GW513/43	2-12.2-8
		FV846081	2-7-1.1	GW513/43	2-13.23-8
		FV846081	2-7-2.3	GW530NC	2-13.24-22
		FV846104	2-7-1.1-2	GW547NC	2-13.24-23

Makers Part/Drawing No.	Chapter, Page and Fig-item No.	Makers Part/Drawing No.	Chapter, Page and Fig-item No.	Makers Part/Drawing No.	Chapter, Page and Fig-item No.
GW663	2-12.1-20	LA06-06NSS50	2-6.23	MKC61214	2-5.4-12
HB1074	2-12.10	LA06-06NSS50	2-6.24	MKC61229	2-5.4-22
HC3605	2-14.5	LA06-06NSS50	2-6.25	MKC61231	2-5.4-19
HC3610	2-14.5	LA06-06NSS50	2-6.26	MKC61240	2-5.4-14
HEH2	2-14.5	LA06-06NSS50	2-6.27	MKC61253	2-5.2
HE10720	2-1.45-6	LA06-81	2-6.11	MKC61253	2-5.3
HE1193	2-1.45	LA06-81	2-6.12	MKC61299	2-5.7-25
HE12234	2-1.45	LA06-81	2-6.13	MKC61326	2-5.9-18
HE12544	2-1.45	LA06-81	2-6.14	MKC61352	2-5.9-25
HE12682	2-1.45-22	LA06-81	2-6.23	MKC61903	2-5.6-11
HE1322	2-1.45	LA06-81	2-6.24	MKC61905	2-5.4-21
HE2845	2-1.45-9	LA06-81	2-6.25	MKC61906	2-5.4
HE3069	2-1.45-21	LA06-81	2-6.26	MKC61907	2-5.4
HE3101	2-1.45-20	LA06-81	2-6.27	MKC619089	2-5.4
HE3529-8	2-1.45-1	LA08NS50	2-6.11	MKC61909	2-5.6-8
HE3605-10028-48	2-1.45-1-30	LA08NS50	2-6.14	MKC61910	2-5.6
HE5321-59	2-1.45	LA08NS50	2-6.15	MKC61911	2-5.6
HE5322-36	2-1.45-10	LA08NS50	2-6.17	MKC61912	2-5.6
HE6890-28	2-1.45-2	LA08NS50	2-6.18	MKC62040	2-5.5-23
HSK 404	2-6.8	LA08NS50	2-6.19	MKC62285	2-5.6-22
HSK 404	2-6.9	LA08NS50	2-6.20	MKC62308	2-5.5-28
HSK 502	2-6.9	LA08NS50	2-6.21	MKC62335	2-5.2-19
HSK 602	2-6.9	LA08NS50	2-6.23	MKC62397	2-5.9-19
HSK 703	2-6.9	LA08NS50	2-6.24	MKC62403	2-5.9-12
JU39-23	2-13.35-1-1 0	LA0881	2-6.11	MKC62568	2-5.9-4
J11874	2-6.5	LA0881	2-6.14	MKC62569	2-5.9-6
J15688	2-6.5	LA0881	2-6.15	MKC62570	2-5.9-7
J30572	2-6.5-25	LA0881	2-6.17	MKC62677	2-5.7-32
J30573	2-6.5-29	LA0881	2-6.18	MKC63555	2-5.2-7
J31995	2-6.8-41-47	LA0881	2-6.19	MKC63557	2-5.11-16
J32692	2-6.5-23-24	LA0881	2-6.20	MKC63558	2-5.11-15
J34087	2-6.8-43	LA0881	2-6.23	MKC63588	2-5.10-37
J36099	2-6.8-44	LA0881	2-6.24	MKC64158	2-5.7-30
J37695	2-6.8	LLA0881	2-6.21	MKC64671	2-5.10-32
J37695	2-6.8-52-60	LN107	2-12.3-19	MKC64672	2-5.10-31
J38142D	2-6.5-12	LN36	2-12.3-16	MKC64673	2-5.10-27
J7297F	2-6.5	LN36	2-12.7-32	MKC64761	2-5.10-30
KC31	2-13.25-27	LNS	2-12.7-27	MKC64889	2-5.8-10
KS12074C/4	2-12.1-14	MB3040DX	2-6.2-2	MKC64899	2-5.4-16
KS12074C/4	2-12.3-9	MKA60800	2-5.7-29	MKC64899	2-5.6-1
KS127	2-13.27-26	MKA61052	2-5.4-13	MKC64930	2-5.10-29
KS210	2-12.3-22	MKA61181	2-5.4-18	MKC65018	2-5.10
KW1873-6	2-6.20-25	MKA62601	2-5.6-19	MKC65118	2-5.9-15
KW3367-2	2-12.8-8	MKA62678	2-5.7-27	MKD61178	2-5.4-7
KW3956-1	2-6.28-15	MKA62984	2-5.7-39	MKD61267	2-5.5-34
KX1747-2	2-6.20-24-2 5	MKA62991	2-5.4-4	MKD61358	2-5.5-31
KX2016-1	2-6.21	MKA63884	2-5.7-36	MKD61469/A	2-5.6-15
KX2016-1	2-6.27-33	MKB60812	2-5.5-33	MKD62794	2-5.10-35
KY1507	2-11.4	MKB60814	2-5.7-24	MKD62964	2-5.2
KY754-17	2-6.25	MKB60839	2-5.6-2	MKD63559	2-5.11-18
KY75572	2-6.12	MKB61059	2-5.6-5	MKD63885	2-5.7-35
KSLGB194	2-5.17	MKB62571	2-5.9-8	MKD63887	2-5.7-37
K5147B	2-12.9-3	MKB62622	2-5.8-1	MKD64751	2-5.6-10
LA05-81	2-6.13	MKB62861	2-5.11-17	MKD64751	2-5.6-10
LA06-006NSS50	2-6.13	MKB62985	2-5.4-6	MK061356	2-5.9-13
LA06-06NSS50	2-6.24	MKB63520	2-5.4-1	MK064750	2-5.6-13
LA06-06NSS50	2-6.11	MKB63942	2-5.9-3	MP1	2-12.7-29
LA06-06NSS50	2-6.12	MKB64225	2-5.9	MTR2214	2-10.17
LA06-06NSS50	2-6.13	MKB64679	2-5.4-8	M207/1/2IN	2-7-3.1-2
LA06-06NSS50	2-6.14	MKB64796	2-5.8-5	M76456ET	2-9.22
LA06-06NSS50	2-6.14	MKC61203	2-5.6-6	NA11677S	2-12.6-16
LA06-06NSS50	2-6.14	MKC61207	2-5.6-4	NA 5799	2-11.9-20
				NP2-6	2-1.38-27

571

Makers Part/Drawing No.	Chapter, Page and Fig-item No.	Makers Part/Drawing No.	Chapter, Page and Fig-item No.	Makers Part/Drawing No.	Chapter, Page and Fig-item No.
NRE125/0.75X25	2-12.1-23	PM310	2-10.14	P5199	2-1.46-26
NRE125/100X25	2-12.2-6	PM322	2-10.14	P5499	2-1.46-17
NRT1	2-12.2-4	PM87	2-12.8-4	P5507C	2-1.46-8
NRT1	2-13.23-4	PP237	2-12.1-15	P5523	2-1.48-7
NRT16/125	2-13.24-12	PP237	2-12.5-10	P5678	2-1.23
NRT2	2-12.2-3	PP237	2-13.26-10	P5821	2-1.48-15
NRT2	2-13.23-3	PP250	2-13.24-14	P6060	2-1.46-12
NRT3	2-13.23-5	PP280	2-13.25-28	P65/68	2-12.6-14
NR1046	2-12.6-10	PRU1542	2-14.4	P6785	2-1.46-21
NR110/7	2-12.3-20	PRU211	2-14.4	QA190-196	2-5.31-8
NR112-2	2-13.27-13	PR3762-1	2-5.19-18	RCB16	2-10.17
NR112/3	2-12.3-15	PSB0110	2-10.17	RF78	2-14.2
NR112/3	2-12.7-30	PSB0420	2-10.15	RHPXV1Q0	2-5.14-94
NR142WC	2-12.3-3	PS158/4	2-12.9-10	RK68-1000	2-8.5
NR146NC	2-13.27-7	PS45/63	2-12.4-12	RP9-1.875	2-12.2-9
NR340MS	2-13.27-22	PS65-26A	2-13.27-21	RP9/1.875	2-13.23-9
NR358MS	2-12.3-12	PS65/16	2-12.5-2	RS126	2-10.16
NR364/1	2-12.6-22	PS65/16	2-13.26-2	RS152	2-10.13
NR370	2-13.27-3	PS65/27	2-12.3-11	RS163	2-10.13
NR695A	2-13.27-16	PS65/28	2-12.7-25	RS261	2-10.14
NR747	2-12.6-11	PS68/100	2-13.24-13	RS30A	2-10.14
NS209-6TB	2-1.40-6	PS69/125	2-12.4-14	RS327	2-10.16
NS37-14Z1	2-1.43-49	PT0264E/A/15RF	2-12.1-1-27	RS42	2-10.16
NS37-15Z1	2-1.42-2	PT5-20A	2-10.15	RS48	2-10.13
NU11-7TB	2-1.38-23	PT9243	2-1.52	RS48	2-10.14
NU11-7TB	2-1.40-17	PT9316/4	2-1.52	RS48	2-10.16
NW1-10T1	2-1.42-26	PT9331	2-1.52	RS49	2-10.13
NW1-10T1	2-1.42-4	PT9379/91	2-1.52	RS49	2-10.14
NW1-14T1	2-1.43	PT9505/3	2-1.52	RS49	2-10.15
NW1-15Z1	2-1.42-8	PV3A12-1	2-10.15	RS49	2-10.16
NW1-39Z1	2-1.43-54	PV3A12-1	2-10.15	RS63	2-10.13
NW2-13	2-1.40-20	PV3A76-1	2-10.13	RS63	2-10.14
NW2-13T1	2-1.42	PV3A76-1	2-10.14	RS69	2-10.16
NW2-25Y1	2-1.40-45	PV3A76-1	2-10.15	RS90	2-10.13
NW2-25Y1	2-1.40-8	PV312-1	2-10.13	RS90	2-10.14
NW2-28T8	2-1.40-47	PV312-1	2-10.14	RTA77/LS/S17471A	2-12.9-1-9
NW2-28Z1	2-1.38-26	PV312-1	2-10.15	RTC77/2/1330	2-12.10-27
NW5-17W4	2-1.25-40	PV3676-1	2-10.15	RTD72/1/1500	2-12.9-22
NW5-17W4	2-1.32-87	PV376-1	2-10.13	RTE75/1450	2-12.9-17
N17-1	2-14.3	PV376-1	2-10.14	RTE76/1400	2-12.9-11
OF35	2-12.5-9	PV376-1	2-10.15	R2	2-10.11
OF35	2-13.26-9	PV376-1	2-10.15	R2	2-10.19
OF43	2-12.6-7	PV376-1	2-10.18	R2137	2-13.26-5
OKLL108S3013	2-1.33	PV636-1	2-10.16	R3	2-10.19
OKLL108S9200	2-1.33	PV636-1	2-10.16	R3239-117	2-5.32
OLL150S8770	2-1.33	PV636-1	2-10.17	R3383-41	2-5.31
OP139D/42	2-12.3	PV636-1	2-10.18	R3383-42	2-5.24-30
OP356/42	2-12.3	PV74A	2-14.2	R3383-42	2-5.32-30
OP87/6/54	2-12.3	P0420001501521	2-13.24-1-3	R3521-46K	2-5.30
OR240	2-13.26-4		1	R3667-202	2-5.24-16
OS16	2-12.1-5	P184	2-1.46-3	R3667-202	2-5.31-16
OV9/1	2-12.6-24	P1961	2-1.48-14	R3667-36	2-5.24-15
PA2	2-12.10-26	P1966	2-1.48-2	R3754-156	2-5.19-1
PCGA 980	2-1.46-1-34	P1969	2-1.46-28	R3754-156	2-5.29-1
PCSA 109	2-1.46-27,2	P3155	2-1.48-12	R3754-32	2-5.29-11
	8	P359	2-1.46-10	R3754-34	2-5.19-20
PCSA 302	2-1.48-2-7	P417196	2-6.10-1-7	R3754-34	2-5.29-20
PCSA 529	2-6.19-4	P4430A/8	2-1.48-1	R3754/32	2-5.19-11
PCSA 76	2-1.46-8-22	P4898/1	2-1.46-13	R3755-119A	2-5.19-12
PG55NC	2-13.27-24	P4905	2-1.48-11	R3755-119A	2-5.29-12
PG65NC	2-12.3-14	P5136	2-1.46-4	R3755-119B	2-5.19
PM144	2-10.14	P5137	2-1.47-31	R3755-119B	2-5.29

Makers Part/Drawing No.	Chapter, Page and Fig-item No.	Makers Part/Drawing No.	Chapter, Page and Fig-item No.	Makers Part/Drawing No.	Chapter, Page and Fig-item No.
R3755-119C	2-5.19	SHF3796	2-9.13-9	SST17-19A	2-10.14
R3755-119C	2-5.29	SK2612-1	2-6.20	SST17-19A	2-10.15
R3755-119D	2-5.19	SK2650-2	2-6.25	SST17-20A	2-10.14
R3755-119D	2-5.29	SK2650-3	2-6.12	SST17-20A	2-10.15
R3760-3	2-5.30-37	SK2758-2	2-6.25	SST2	2-10.14
R3760-5	2-5.20-26	SK2759-2	2-6.12	SST2H	2-10.11
R3760-5	2-5.30-26	SLA71A	2-12.6-3	SST2H	2-10.19
R3846	2-5.20-24	SL188	2-13.26-3	SST2H	2-7-2.4
R3846-15	2-5.30-24	SL222	2-12.4-16	SST3	2-10.13
R3854-142	2-5.22-5	SL224-8	2-5.22-20	SST4	2-10.13
R3872-40	2-5.31-1	SL225	2-12.6-6	SST4	2-10.14
R3928-177	2-5.24-26	SL238-5	2-5.24-4	SST4	2-10.15
R3928-177	2-5.31-26	SL238-5	2-5.31-4	SS2	2-10.15
R3928-97	2-5.22-18	SL238-7	2-5.20-30	SS20-55	2-10.13
R3934-22H	2-5.20	SL238-7	2-5.20-34	SS20-55	2-10.14
R3934-22H	2-5.30	SL238-7	2-5.30-34	SS20-55	2-10.15
R8011-46A	2-5.30-43	SL243/209	2-5.22-12	SS20-55	2-10.17
R8200-51A	2-5.33-15	SL246-161	2-5.26-24	SS20-78	2-10.13
R8200-51E	2-5.26	SL246-161	2-5.34-28	SS20-78	2-10.14
R8200-52A	2-5.33	SL246-266	2-5.24-9	SS20-78	2-10.15
R8200-52E	2-5.26-15	SL246-266	2-5.31-9	SS20-78	2-10.18
R8283-36	2-5.24	SL246-268	2-5.26-16	SS20-93	2-10.13
R8283-36	2-5.31-15	SL246-268	2-5.33-16	SS20-93	2-10.14
R8283-37	2-5.24-7	SL246-62	2-5.19-2	SS20-93	2-10.15
R8283-37	2-5.31-7	SL246-62	2-5.29-2	SS21	2-10.15
R8283-38	2-5.24-27	SL309-7	2-5.19-22	SS22	2-10.14
R8283-38	2-5.32-27	SL309-7	2-5.30-22	SS22	2-10.18
R8283-43	2-5.24-13	SL321-8	2-5.27-28	SS49-437	2-10.16
R8283-43	2-5.31-13	SL321-8	2-5.34-33	ST1	2-10.13
R8283-95	2-5.19-3	SL35	2-10.16	ST4	2-10.16
R8283-95	2-5.29-3	SL35	2-10.17	SVA175/A/7	2-12.6-1-29
R8323-184	2-5.20-35	SL35	2-10.18	SWP186	2-13.24-2
R8323-184	2-5.30-35	SL39	2-10.17	SWP196	2-12.1-8
SAA 1846	2-7-3.1	SL555-7	2-5.22-8	S0312	2-11.2-46
SAA 1847	2-7-3.1-5	SL778-16	2-5.22	S278-1	2-5.13-17
SAS300W	2-12.9-20	SL778-8	2-5.22-10	TA823	2-6.5
SAS362W	2-12.9-14	SL785-22	2-5.19-14	TGS/251/L/3/4	2-11.1
SAS437W	2-12.9-8	SL785-22	2-5.29-14	TGS 365/V	2-11.2-30
SA2096	2-12.8-1-8	SL785-54	2-5.22-17	TGS368/F/2-3/4	2-11.4-96
SF1164-7FV	2-11.6	SL785-60	2-5.22-1	TGS368C-1	2-11.1-13
SF1267	2-6.21	SL785-65	2-5.20-37	TLA14	2-13.26-1-1
SF1354-10	2-6.2-20	SL785-65	2-5.30-38		1
SF1354-23	2-6.21-4	SL785-77	2-5.21-1	TLA26	2-12.4-1-16
SF1420-5	2-6.2-21	SL785-78	2-5.21	TPS-19A	2-10.13
SF1524	2-6.28-3	SL792-16	2-5.26-13	TPS-19A	2-10.15
SF16-196	2-6.32	SL792-16	2-5.33-13	TP5-19D	2-10.13
SF16-24T	2-11.6-5	SN714-1	2-5.14	TP51P	2-10.13
SF209	2-12.3	SN714-1	2-5.16	TP91P	2-10.15
SF210	2-12.3	SP29	2-12.3-7	TRC1423	2-12.1-24
SF240-1	2-6.32	SR3667-9	2-5.24-23	TRC1423	2-12.2-5
SF240-4	2-6.32	SR3667-9	2-5.31-23	TRM20-12	2-14.7
SF240/134	2-1.46-19	SSC7630	2-1.36-17-2	TS268A	2-11.2-52
SF50-195	2-11.6-4		8	TS298C	2-11.12-18
SF61	2-12.3	SSC76328	2-1.36	TS365V	2-5.9-20
SF61/800	2-1.46-11	SSC76331	2-1.36-34-3	T108	2-10.14
SF61/919	2-1.46-9		7	T154	2-10.13
SF61/977	2-1.46-20	SSP40-55	2-10.13	T155	2-10.13
SF675/54	2-1.46-6	SSS51	2-10.13	T156	2-10.13
SF675/74	2-1.46-5	SSS51	2-10.14	T4	2-10.16
SGT32-50-9C6-W2	2-14.4	SSS91	2-10.13	T50R	2-7-2.4
SG10	2-13.27-20	SST1-5	2-10.17	T7	2-10.15
SG4	2-12.3-10	SST1-51	2-10.19	T77	2-10.14

513

Makers Part/Drawing No.	Chapter, Page and Fig-Item No.	Makers Part/Drawing No.	Chapter, Page and Fig-Item No.	Makers Part/Drawing No.	Chapter, Page and Fig-Item No.
T77	2-10.15	1-520-105-006	2-13.4-2	11074931	2-9.11-7
T78	2-10.14	1-520-210-000	2-13.4-4	11074931	2-9.9
T78	2-10.15	1-520-210-005	2-13.4-6	11074981	2-9.28-1
T82	2-10.16	1-527-410-011	2-13.4-3	11075221	2-6.34
VM2712814	2-9.17-1	1-534-619-001	2-13.4-5	11075951	2-4.1-23
VM7105192	2-6.32	100-212-2209	2-11.6	11075971	2-4.1-22
VM7134183	2-6.32	100703-P	2-1.31-70	11076031	2-6.4-11
VM91059771	2-5.2-6	100703P	2-1.23-23	11076371	2-13.11-10
VM9106143	2-5.30-39	100703P	2-1.27-18	11076571	2-6.4-18
WPA62/4	2-12.3-1-14	100703P	2-1.30-33	11083131	2-6.30
WP07020011258	2-13.27-1-2 6	100703P	2-1.32-80	114499192	2-6.23-3
WS11	2-12.1-17	100717	2-1.32-83	114628	2-1.12
WS11	2-12.5-7	100834	2-1.23-26	114631	2-3.1-30
WS11	2-13.24-16	1010784	2-6.14-12	11498404	2-6.35
WS11	2-13.25-30	101711	2-1.16-6	11499062	2-6.16-12
WS11	2-13.26-7	1019717	2-6.32	11499062	2-6.27-31
WS11	2-13.27-9	1025666	2-2.3-14	11499062	2-6.28-11
WS25	2-12.1-2	1033402	2-2.3-5	11499062	2-6.28-8
WS25	2-13.24-8	10388876	2-6.1-12	11499063	2-6.11-8
WS25	2-13.35-9	1048789	2-10.13	11499063	2-6.23-11
WS445	2-12.4-15	1049688	2-9.4-22	11499063	2-6.33
WS6	2-12.7-28	10516	2-2.1-30	11499065	2-6.16-9
WS71/158	2-12.6-15	10576	2-11.2-42	11499065	2-6.28-12
WS74/6	2-12.6-19	108883	2-11.2-44	11499068	2-6.12-12
WS75/10	2-12.3-18	108894	2-13.21-3	11499068	2-6.12-6
WS75/11	2-12.3	108974	2-13.21-7	11499068	2-6.12-9
W90918-05-07	2-9.7-16	108985	2-13.28-6	11499068	2-6.16-2
X33/CD	2-10.3-21	11-1568	2-13.28-4	11499068	2-6.25-9
ZA76-1	2-10.13	11010505	2-10.13	11499068	2-6.26-28
Z5332-47	2-1.43-34	11010719	2-3.1-24	11499068	2-6.28-9
000157	2-13.12-3-5	11011223	2-9.28-2	11499069	2-6.14-5
002022	2-13.20	11011518	2-1.34-4	11499069	2-6.23-12
003854	2-13.32-23	11011885	2-3.1-23	11499072	2-6.11-17
003898	2-13.32-29	11013285	2-9.8	11499072	2-6.23-6
01101602	2-5.35	11020919	2-6.4-20	11499073	2-6.14-7
01108806LI	2-5.35	1103127	2-3.1-15	11499073	2-6.23-7
01110784	2-5.35	11035613	2-3.1-20	11499073	2-6.34
01201854	2-5.35	11035613	2-9.14-29	11499074	2-6.21-17
0132507604	2-5.35	11035613	2-9.18-17	11499074	2-6.23-8
0304278	2-13.8A-10	11038822	2-9.7	11499074	2-6.28-13
032804	2-13.33-4	11040197	2-3.1-5	11499075	2-6.34
032860	2-13.33-5	11040197	2-6.19	11499097	2-6.17-28
033963	2-13.31-11	11040197	2-6.27	11499097	2-6.34
0474535	2-13.21	11040197	2-6.32	11499188	2-6.12-5
048266	2-13.31-5	11040197	2-6.33	11499188	2-6.25-8
048266	2-13.32-13	11040197	2-6.4-15	11499188	2-6.35
0486211	2-13.8A-3	11040197	2-9.2	11499192	2-6.16-13
0486288	2-13.21	11040197	2-9.27-3	11499193	2-6.34
053138	2-13.16-14	11041733	2-9.27-9	11499203	2-6.22-23
067156	2-13.19-21	11042802	2-9.11-17	11499203	2-6.34
067190	2-13.19-20	11051072	2-1.4A	11499213	2-6.26-18
069794	2-13.18	11054309	2-1.55	11499236	2-6.11-14
07212111	2-13-1	11054309	2-6.19-13	11499236	2-6.33
08173	2-10.8-21	11054309	2-6.34	11499251	2-6.34
0819667	2-13.8A-7	11061129	2-9.14-18	11499252	2-9.14-19
0862604	2-13.8A-12	11067182	2-10.11	11499255	2-6.23-10
0866700	2-13.8A-2	11067182	2-8.3-6	11499266	2-6.34
09240	2-10.8-19	11070981	2-8.5-6	11499295	2-9.18-18
095-1425	2-1.37-18	11072771	2-13.22-14	11499307	2-6.16-4
09882001	2-10.17	11074001	2-6.4-6	11499333	2-6.34
099621	2-13.14-15	11074931	2-9.7-8	11499338	2-6.34
			2-9.11-14	11499404	2-6.28-7

Makers Part/Drawing No.	Chapter, Page and Fig-item No.	Makers Part/Drawing No.	Chapter, Page and Fig-item No.	Makers Part/Drawing No.	Chapter, Page and Fig-item No.
11499406	2-6.29	1355146	2-13.8A-5	198336	2-13.2-23
11499444	2-6.34	1355157	2-13.8A-4	19890-11	2-10.19
11499445	2-6.23-2	1355168	2-13.8A	19943-1-0153	2-5.29-18-3
11499469	2-6.28-6	1355179	2-13.8A		6
11499483	2-6.17-25	1355180	2-13.8A	19968-0153	2-5.19-18-3
11499483	2-6.34	13644	2-11.7-4		5
11499489	2-6.14-15	137692	2-6.10	2A76-1	2-10.14
11499489	2-6.14-9	1384 NEG	2-10.17	2A76-1	2-10.15
11499489	2-6.34	1384 POS	2-10.17	2A76-1	2-10.17
11499492	2-6.34	1400-19M	2-11.10-30	20-224TCP	2-9.28
11499494	2-6.23-5	142454	2-13.12-19	2015-23A	2-5.20-27-2
11499497	2-6.19-7	14512-5	2-6.2		8
11499499	2-6.35	15.5/80-20	2-14.7	2015-23A	2-5.30-27-2
11499524	2-6.18-31	150341	2-13.21-14		8
11499526	2-6.18-33	150363	2-13.21-11	2015-54	2-5.20-28
11499535	2-6.11-6	151604-1	2-10.13	2015-54	2-5.30-28
11499535	2-6.33	153210-2	2-10.13	202093	2-13.14-18
11499542	2-6.29	153211-2	2-10.13	202106	2-13.14-4
11499547	2-6.34	153211-2	2-10.14	202117	2-13.14-2
11499551	2-6.27-36	153227-2	2-10.13	202117	2-13.32-3
11499551	2-6.34	153227-2	2-10.14	2059-1338	2-14.7
11499558	2-6.11-16	153230	2-10.14	205948	2-11.4-105-
11499559	2-6.11-20	153236-1	2-10.14		108
11499559	2-6.35	153237-1	2-10.14	206641	2-5.10-40
11499563	2-6.17-22	154662-2	2-10.13	208567	2-9.18-33
11499569	2-6.12-11	155299	2-13.32-20	21/878	2-10.13
11499569	2-6.12-21	155302	2-13.32-18	210833	2-13.28-5
11499569	2-6.12-8	1571669	2-2.1-3	2110-2520	2-10.16
11499569	2-6.13-25	1577264	2-10.1	21890	2-5.23
11499572	2-6.12-14	158/5	2-12.9-16	21891	2-5.23-22
11499572	2-6.13-23	1587759	2-13.21	2206T72	2-5.16
11499584	2-6.34	159328	2-13.13-7	2208V204	2-5.16
11499593	2-6.16-5	159339	2-13.13-4	222564	2-13.2-21
11499594	2-6.16-3	159599	2-13.31-3	222757	2-13.12-15
11499598	2-6.21-19	159599	2-13.32-11	2244-12	2-5.24-11
11499716	2-6.35	1805C159	2-5.16-14	2244-12	2-5.24-6
12DU12	2-1.45-5	1805X466	2-5.14-62	2244-12	2-5.31-11
120369	2-13.22-13	1805X466	2-5.15	2244-12	2-5.31-6
120369	2-5.17	1805Y415	2-5.16-18	2244B28	2-5.14-88
120369	2-6.32	1805Z26	2-5.14	2252-17	2-5.20-29
1205U1529	2-5.14-48	180900-5	2-10.17	2252-17	2-5.30-29
1205U1529	2-5.14-78	1825E57	2-5.13-2	2258U671	2-5.14-96
1205U1529	2-5.15	1829T384	2-5.16-1	2297-Y-4081	2-5.14-95
1205V1686	2-5.13-30	183997	2-13.29-19	230065	2-1.46-25
120854	2-1.36-4	184385	2-13.13-7	231110	2-1.38-1-54
121926	2-1.55	184396	2-13.13-4	236728	2-6.32
122007	2-1.45-29	1846N352	2-5.14	23752	2-1.26-67
1227C939	2-5.16-15	1846X28	2-5.16	238956	2-6.20
124542	2-1.29-25	1850Q43	2-5.13-35	239139	2-6.20
1250U125	2-5.14-101	188209	2-10.17	24055	2-1.25-52
125921	2-10.11	1898-12-70	2-5.13-36	243939	2-6.20
126064-101	2-1.31-74	1898E239	2-5.16	243940	2-6.20
126067-100	2-1.31-73	1898G241	2-5.16	243969	2-6.21
126067-50	2-1.29-22	1898H242	2-5.16	2454-24	2-5.20-25
13/1567	2-10.13	1898H34	2-5.16-22	2454-24	2-5.30-25
13000352	2-6.8	1898J504	2-5.16	24545	2-1.25-53
13000353	2-6.9	1898L532	2-5.16	2474-130	2-5.25
1302052	2-13.8A-8	1898R70	2-5.16	25865	2-1.23-2
1302063	2-13.8A-9	1898W803	2-5.16	2587-73	2-5.26-10
1302074	2-13.8A-11	19012467	2-9.2	2587-73	2-5.33-10
1345484	2-13.21	190863	2-1.12	25876	2-1.23-32
1355124	2-13.8A-1-1 4	190868	2-1.35	259B	2-1.30-37-5 0

575

Makers Part/Drawing No.	Chapter, Page and Fig-Item No.	Makers Part/Drawing No.	Chapter, Page and Fig-item No.	Makers Part/Drawing No.	Chapter, Page and Fig-item No.
	0	2712276	2-9.25-6	2849R96	2-5.14-87
25959	2-1.23-13	2712277	2-9.25-8	2858S45	2-5.13-37
259989AW	2-6.12-4	2712278	2-9.25-5	2858T20	2-5.16-23
259989AW	2-6.16-8	2712329	2-6.4-16	2858X102	2-5.16
259989 AW	2-6.28-10	2712348	2-2.3-17	2880-22	2-5.25-34
26X56	2-5.16-21	2712365	2-6.4-21	2880-22	2-5.32-34
2627568	2-1.54	2712366	2-6.4-17	2887067	2-10.19
26386656	2-9.1	2712368	2-6.2	2918-90	2-5.25-35
263945	2-6.23	2712368	2-6.4-3	293978	2-13.20-13
2657-119A	2-5.19-7	2712371	2-6.4-4	293989	2-13.20-11
2657-119A	2-5.21	2712549	2-6.35	293990	2-13.20-12
2657-119A	2-5.29-7	2712564	2-1.19	2951-76	2-5.27-33
2657-119B	2-5.19	2712815	2-9.17-6	2951-76	2-5.34-38
2657-119B	2-5.29	2713009	2-6.34	295141	2-13.32-4
2657-119C	2-5.19	2713272	2-9.1	295217	2-6.25
2657-119C	2-5.29	2713273	2-9.1	295218	2-6.12
2657-119D	2-5.19	2713328	2-6.10-13	2955-23	2-5.20-40
2657-119D	2-5.29	2714648	2-9.7	295529	2-6.23-1
267264	2-6.32	2714649	2-9.7-2	3-150	2-5.26-17
2681401	2-1.11-16	2714650	2-9.7	3-150	2-5.33-17
2681659	2-13.30-3	2714651	2-9.7-3	3X161	2-5.16-24
2682125	2-2.1-36	2716406	2-9.15-3	3000HR52	2-10.13
2682125	2-6.3-18	2717654	2-9.8-39	3000HR65	2-10.15
2685102	2-10.11	2717665	2-9.1	3000H11C	2-10.14
2685102	2-10.19	2717673	2-9.3	3000H11C	2-10.15
2685708	2-9.14-25	2717832	2-9.1	3000H19A	2-10.14
2686015	2-6.35	2717876	2-9.16-3	3000H19FB	2-10.13
2687122	2-9.6	2717879	2-9.11	3000H20A	2-10.13
26871417	2-1.33	2717879	2-9.12-10	3000H20A	2-10.14
2687417	2-1.8-13	2717879	2-9.12-8	3000H20FB	2-10.13
2687531	2-1.7	2717880	2-9.12-1	3000H4B	2-10.13
2688574	2-1.35-14	2717881	2-9.12-3	3000H4B	2-10.14
2690-22H	2-5.20-41	2717882	2-9.16	3000H4B	2-10.15
2690-22H	2-5.30-42	2717882	2-9.19-3	3000M1	2-10.13
2690835	2-1.19	2717970	2-9.15-6	30000H11C	2-10.13
2690856	2-9.7-11	2717972	2-9.15-5	3000623	2-6.8-40
2690857	2-9.7-14	2718606	2-9.16-6	300116	2-13.9-4
2691137	2-1.55	2718607	2-9.16-12	300343	2-13.20-1
2691416	2-9.24	2718737	2-9.16-1	300525	2-13.21-12
2691419	2-9.24	2718808	2-9.19-17	300525	2-13.21-2
2691428	2-9.24	274420	2-11.4-97	300569	2-13.12-20
2691429	2-9.24-7	274746	2-10.4-2	300569	2-13.14-3
2693720	2-1.11-26	274996	2-6.16-11	300569	2-13.20
2693720	2-1.55	274996	2-6.27-29	300569	2-13.28-3
2693730	2-1.10-2	277148	2-12.8-14	300569	2-13.29-30
2695253	2-1.22-15	277812	2-6.20-32	300569	2-13.32-16
2699052	2-1.35-15	278111	2-5.34-27	300569	2-13.32-2
2699591	2-10.3	278112	2-5.34	300569	2-13.32-25
2699591	2-10.6-5	279181	2-6.23	300569	2-13.33-2
2704231	2-6.3-1	2808F682	2-5.16	3006-54-06/00	2-13.21
2704760	2-10.11	2808H216	2-5.14-91	300627	2-13.5-59
2705882	2-10.1	2808H216	2-5.14-93	300774	2-13.20-5
2705882	2-6.3	2808X154	2-5.14-82	300809	2-13.19-28
2707035	2-9.24-3	2843F110	2-5.13-33	301195	2-13.18-1-6
2707040	2-9.24-4	2843K427	2-5.16-17	302129	2-13.12-2
2709095	2-9.25-3	2847Z312	2-5.15	302129	2-13.32-22
2709574	2-2.1-22	284804	2-5.16-19	302301	2-13.9-5
2711072	2-9.24-5	2848ES	2-5.16-2	302334	2-13.9-8
2711177	2-3.1	2848V22	2-5.13-32	302367	2-13.9-11
2711415	2-10.4-11	2848W23	2-5.13-6	302378	2-13.9-12
2712063	2-9.24-6	2849N92	2-5.16-20	302389	2-13.9-9
2712276	2-9.25-6	2849P94	2-5.13-31	3035F	2-10.15

Makers Part/Drawing No.	Chapter, Page and Fig-item No.	Makers Part/Drawing No.	Chapter, Page and Fig-item No.	Makers Part/Drawing No.	Chapter, Page and Fig-item No.
303608	2-13.31-15	347359	2-13.4-11	4-422337	2-6.18
303620	2-13.31-13	347360	2-13.4-12	4-422337	2-6.24
303631	2-13.31-14	347371	2-13.4-10	4-422795	2-6.17
303722	2-13.28-14	347382	2-13.4-8	4-422795	2-6.18
304278	2-13.21-13	347393	2-13.4-7	4-422795	2-6.24
304278	2-13.21-4	3500HR54	2-10.13	4B9782	2-12.3-4
3043125	2-1.10-1	3500334	2-1.17-5	4X320	2-5.16-11
305655	2-13.1-4	3500462	2-1.17-1	400-011-4490-02	2-14.2
305893	2-13.13-2	3500529	2-1.17-18	40052	2-6.10-6
306145	2-13.32-28	3501775	2-1.17-1-27	406765-5002	2-1.18-8
306383	2-13.9-3	3502017	2-1.17-25	406906-5000	2-1.18-13
306565	2-13.13-6	3502337	2-1.17-8	409036-5000	2-1.18
306576	2-13.13-2	3502442	2-1.17-6	409037-5000	2-1.18
30669	2-10.2-22	3503025	2-1.17-24	409039-5000	2-1.18
307282	2-13.13-6	35064	2-10.4-13	41010660	2-6.25-5
30729	2-10.5-3	351297	2-13.9-6	412133	2-13.10-6
308670	2-13.19-5	3530	2-14.5	412735	2-13.16-11
308749	2-13.21-10	354687	2-13-1-1	414806	2-13.2-22
308749	2-13.21-5	354927	2-13.21-6	418980	2-13.14-14
310403	2-13.29-8	354927	2-13.21-9	418991	2-13.12-17
311499062	2-6.25-6	355	2-10.10	418991	2-13.19-18
312574	2-13.4-9	36050003	2-6.20-31	42238-1	2-10.17
312825	2-13.18-3	36050103	2-6.20	422931	2-13.8-4
312858	2-13.18-5	36053003	2-6.33	425401	2-13.12-16
313871	2-13.9-2	360696	2-13.14-13	425401	2-13.14-19
314703	2-13.17-16	361233	2-13.29-16	425401	2-13.2-20
315657	2-13.10-1	3638-1762	2-9.28-11	426786	2-13.14-24
315679	2-13.10-4	37H8714	2-9.18-3	426797	2-13.14-22
315680	2-13.10-3	3710206	2-9.3	426797	2-13.2-18
315704	2-13.10-5	3731-0174	2-9.27	426833	2-13.2-25
316727	2-13.18-6	3732-1395	2-9.27-12	426866	2-13.19-3
318490	2-13.5-57	375024	2-13-1-3	426866	2-13.3-14
319479	2-13.2-17	3756-1	2-5.29-18	426877	2-13.3-15
3196X24	2-5.16	3782-3720	2-5.4-3	427925	2-13.14-21
3196Z26	2-5.16	378798	2-13.4-2-14	427925	2-13.2-16
319775	2-13.6-71	381986	2-13.2-24	437687	2-13.4-7
32000353	2-6.10-5	3826P328	2-5.16-4	442063	2-6.14-13
32000591	2-6.8-37	383751	2-13.18-2	442140	2-1.12
320212	2-13.4-18	384081	2-13.13-8	444017	2-6.35
3221-165	2-5.34-29	384774	2-13-1	4444692	2-6.28
3221-64	2-5.26-23	385844	2-13.9-7	444576	2-1.13
324603	2-13.28-8	386232	2-13.32-35	444692	2-6.21-2
329959	2-13.13-3	3880F292	2-5.13-1	446064	2-13.19-30
330021	2-13.13-3	3880A1119	2-5.16-5	446064	2-13.29-3
330338	2-13.17-2	3880C861	2-5.13-8	44704	2-6.28-2
331533	2-13.10-8	3880G293	2-5.13-45	447418	2-13.29-13
3326	2-14.4	3892F4604	2-5.13-19	448179	2-13.31-4
3326	2-14.5	3892F4608	2-5.13	448179	2-13.32-12
33904	2-10.5-1	3892M2431	2-5.13-26	452-200-012-0	2-6.11-13
33905	2-10.5-2	3892Q2123	2-5.13-9	452-200-012-0	2-6.28-24
339111	2-13.6-72	39080-29	2-10.19	452-200-020-0	2-6.11-1
33960-11	2-10.11	395404	2-13.16-18	452-200-020-0	2-6.28-22
34001535	2-6.8-39	397199	2-13.31-12	453675	2-1.2-12
342412	2-13.5-61	39750-29	2-10.1	455021	2-13.2-19
344691	2-1.22-1	3982B1770	2-5.13-15	455087	2-13.2-15
344691	2-1.22-5	4-X-320	2-5.14	455087	2-13.3-16
345423	2-1.2-17	4-X-320	2-5.14-52	4576655	2-9.8-36
345423	2-1.36-6	4-X-675	2-5.13-29	458035	2-13.14-16
3466277	2-9.11-19	4-422327	2-6.17	458206	2-13.28-9
346643	2-13.17-3	4-422327	2-6.18	458706	2-13.29-4
346714	2-1.8-20	4-422327	2-6.24	468100-5000	2-1.18
347111	2-13.13-8	4-422337	2-6.17	470848	2-13.19-19

517

575

Makers Part/Drawing No.	Chapter, Page and Fig-Item No.	Makers Part/Drawing No.	Chapter, Page and Fig-Item No.	Makers Part/Drawing No.	Chapter, Page and Fig-Item No.
480464	2-13.12-14	502978	2-1.31-57	506652	2-1.23-28
484877	2-13.10-1-1 0	503091	2-1.31-52	506653	2-1.23-30
484902	2-13.10-7	503193	2-1.31-67	506674	2-1.25-48
486346	2-13.17-5-2 3	503252	2-1.29-10	506725	2-1.25-56
486380	2-13.15-6	504352	2-1.31-66	506740	2-1.31-69
486380	2-13.17-7	50461/17	2-1.36-16-3 1	506935	2-1.23-27
486391	2-13.15-7	504963	2-1.29-18	506967	2-1.25-60
486391	2-13.17-8	504972	2-1.29-23	507023	2-1.31-60
486426	2-13.15-10	504972	2-1.29-29	507025	2-1.23
486426	2-13.17-11	504981	2-1.32-79	507028	2-1.29-3
486437	2-13.15-11	504983	2-1.31-65	507094	2-1.25-59
486437	2-13.17-12	505	2-10.2	507310	2-1.29-2
486448	2-13.15-12	505353	2-1.30-47	507360	2-1.32-88
486448	2-13.15-12	505354	2-1.30-47	507450	2-1.23-3
486448	2-13.17-13	505355	2-1.30-47	507467-1	2-1.25-47
486459	2-13.17-14	505355	2-1.30-47	507729	2-1.23-16
486460	2-13.17-15	505356	2-1.30-47	507857	2-1.30-41
486471	2-13.15-16	505357	2-1.30-47	507859	2-1.30-43
486471	2-13.17-17	505358	2-1.30-47	508200	2-1.31-72
486493	2-13.15-20	505359	2-1.30-47	508331	2-1.23-4
486493	2-13.17-22	505608	2-1.23-14	508334	2-1.23-18
486631	2-13.15-17	505995	2-1.29-9	508399	2-1.31-54
486631	2-13.17-18	505996	2-1.29-9	508435	2-1.29-27
487201	2-13.4-6	506038	2-1.27-7	508460-3	2-1.25
4931776	2-10.16	506117	2-1.29-9	508460-3	2-1.25-42
494073	2-13.4-5	506309	2-1.24-36	508461-3	2-1.25-43
494084	2-13.4-2	506310	2-1.24-36	508464-3	2-1.25-54
494164	2-13.4-9	506311	2-1.24-36	508476-3	2-1.25-51
494233	2-13.4-8	506312	2-1.24-36	508524	2-1.31-55
494255	2-13.6-69	506313	2-1.24-36	508760	2-1.32-85
494266	2-13.6-70-7 2	506314	2-1.24-36	508812	2-1.30-42
494335	2-13.5-60	506315	2-1.24-36	508853	2-1.30-44
494357	2-13.5-58	506316	2-1.24-36	508854	2-1.30-44
494619	2-13.7-6	506317	2-1.24-36	508855	2-1.30-44
494642	2-13.7-2	506318	2-1.24-36	508856	2-1.30-44
494824	2-13.4-1	506319	2-1.24-36	508883	2-1.25-39
496984	2-13.32-5	506320	2-1.24-36	508956	2-1.23-15
49960751	2-9.19-10	506321	2-1.24-36	508958	2-1.23-22
5-280X	2-5.17	506322	2-1.24-36	508969	2-1.25-58
5000583	2-6.17-6	506323	2-1.24-36	508988	2-1.23-8
500079	2-1.27-15	506324	2-1.24-36	508989	2-1.23-17
500079	2-1.29-26	506325	2-1.25-36	509025	2-1.30-38
5001-26	2-1.38-24	506326	2-1.25-36	509026	2-1.30-40
5001-26	2-1.40-18	506331	2-1.25-38	509341-3	2-1.32-82
5001-31	2-1.29-15	506338	2-1.25-37	509416-10	2-1.27-5
5001-75	2-1.24-34	506384	2-1.29-19	509436	2-1.27-4
500423	2-1.30-35	506385	2-1.29-17	509439	2-1.27-2
5005123	2-6.21-13	506617	2-1.23-11	509447	2-1.30-39
5007-54-25/00	2-13.21	506619	2-1.31-50	509763	2-1.27-13
5007-54-25/03	2-13.21	506619	2-1.23-10	509768-22	2-1.27-10
500973	2-1.25-44	506619	2-1.31-48	509784	2-1.27-26
500973	2-1.31-62	506620	2-1.23-9	509785-10	2-1.27-22
501226	2-1.32-78	506620	2-1.31-49	509787	2-1.27-25
501462	2-1.29-21	506628	2-1.31-53-5 6	509788	2-1.27-8
501754	2-1.32-77	506628	2-1.31-56	5100-37	2-1.29-30
501910	2-1.31-68	506636	2-1.31-53	5107-48	2-5.4-15
502223	2-1.29-31	506637	2-1.31-61	5107-50	2-5.4-9
502224	2-1.28-42	506649	2-1.23-28-3 1	5107-65	2-5.7-31
502326	2-1.32-75	506650	2-1.23-31	512025	2-1.31-51
502729	2-1.29-4	506651	2-1.23-29	512097	2-1.30-47
				512098	2-1.30-47
				512099	2-1.30-47

Makers Part/Drawing No.	Chapter, Page and Fig-Item No.	Makers Part/Drawing No.	Chapter, Page and Fig-Item No.	Makers Part/Drawing No.	Chapter, Page and Fig-Item No.
512100	2-1.30-47	5293-57	2-1.43-38	58848	2-1.17
512101	2-1.30-47	5293-57	2-1.43-52	590036	2-13.33-8
512102	2-1.30-47	5333-190	2-1.38-2		16
512103	2-1.30-47	5334-373	2-1.43-32	590218	2-13.32-17
512104	2-1.31-47	5334-382	2-1.43-31	5911-44	2-5.22-19
512105	2-1.31-47	5334-413	2-1.38-31	5936-264	2-1.39-53
512106	2-1.31-47	5334-419A	2-1.38-28	5936-322	2-1.39-46
512245	2-1.27-24	5335-807	2-1.43-51	5936-327	2-1.40-14
512251-10	2-1.28-39	5336-333	2-1.40-38	5936-341	2-1.38-32
512253	2-1.27-33	5337-64	2-1.43-37	59412	2-5.16
512253	2-1.28-37	537906	2-13.9-1-6	59527	2-1.17-21
512256	2-1.27-27	54033969	2-10.5-1-5	5973	2-1.33
512345	2-1.29-20	540343	2-13.31-7	59917	2-1.17-23
512603-11	2-1.23-33	540365	2-13.29-18	6	2-11.12-5
512603-12	2-1.23-33	54038138	2-10.4-8	6.3-86-18	2-5.17
512603-13	2-1.23-33	54191137	2-10.13	6RWZ17L	2-10.10
512603-14	2-1.24-33	54522683	2-10.7	6010-107	2-1.43-35
512603-15	2-1.24-33	5459-417	2-1.43-33	6010-17B	2-1.43
512603-16	2-1.24-33	54591514	2-10.11	6010-35	2-10.14
512603-17	2-1.24-33	54592255	2-10.11	6010-58	2-1.40-27
512603-18	2-1.24-33	548465	2-13.31-2	6010-59	2-1.38-8
512603-19	2-1.24-33	550-1-02737	2-1.44-3	60250	2-1.17-19
512603-20	2-1.24-33	550-1-05480	2-1.44-4	606637	2-13.20-6-8
512603-21	2-1.24-33	550-1-16744-013	2-1.44-13	6068-39	2-1.38-11
512603-22	2-1.24-33	550-1-17338	2-1.44	60728	2-1.17-17
512603-23	2-1.24-33	550-2-06498	2-1.44-19	608537	2-13.13-1-8
512603-24	2-1.24-33	550-2-06800	2-1.44-16	609038	2-13.4-1-14
512718	2-1.29-28	550-2-06802	2-1.44-20	6100T	2-5.35
512727	2-1.30-32	550-2-06856	2-1.44	611145	2-13.13-1-8
512916-10	2-1.27-23	550-2-09775	2-1.44-21	612453	2-13.12
513004-11	2-1.27-17	550-2-11567	2-1.44-24	612464	2-13.19-9-1
513279	2-1.30-45	550-2-11748	2-1.44-5		6
513578	2-1.27-12	550-2-13606	2-1.44-1	61697	2-1.17-3
513584	2-1.25-57	550-2-17435	2-1.44-27	6172	2-1.33
513596	2-1.23-12	550-4-01024	2-1.44-8	61986	2-1.17-15
513728	2-1.27-1	550-4-02206	2-1.44-2	6201	2-1.33
513729	2-1.27-14	550-4-06794	2-1.44-23	620839	2-13.16
513738	2-1.27-34	550-4-07236	2-1.44-17	6220-104	2-1.43-41
513743	2-1.27-31	550-4-09408	2-1.44-15	6220-139	2-1.43-29
513744	2-1.27-29	553738	2-10.7-6	6220-141	2-1.42-28
513745	2-1.28-36	554279	2-10.7-1	6220-143	2-1.42
513746	2-1.27-30	5549-437	2-10.18	6220-209G	2-1.43-47
513790	2-1.27-28	55543/85	2-1.36-32	6220-242	2-1.43-48
513799	2-1.28-41	55543/86	2-1.36-39	6220-307A	2-1.43-45
513809	2-1.27-11	5587-144A	2-1.38-25	6220-321J	2-1.43-40
513823	2-1.29-13	5621345	2-1.33	6220-448	2-1.43-36
513869	2-1.25-50	5621843	2-1.33	6220-471	2-1.42-6
513877	2-1.29-24	56283	2-1.33	6220-477	2-1.42-19
514061	2-1.29-8	565864	2-13.28-7	6220-478	2-1.42-11
514064	2-1.29-8-14	56689/10	2-1.36-16-3	6220-496	2-1.43
514068	2-1.29-1-3		8	6220-498	2-1.43-53
514148	2-1.27-35	56696	2-1.36-33	6220-512	2-1.42-13
514179	2-1.23-1-2	56754	2-1.17	6220-591A	2-1.42-20
514211	2-1.25-41	571135	2-13.32-21-	6220-592	2-1.42-1
514610	2-1.30-46		23	6220-593F	2-1.42-27
515449	2-1.23-6	571146	2-13.32-27-	6220-594	2-1.42-15
515941-70	2-1.24-35		29	6220-595A	2-1.43-30
52678	2-1.33	571157	2-13.32-24-	6220-646	2-1.42-21
5267801	2-1.33		25	6220-647	2-1.42-22
5268302	2-1.33	5720-68	2-5.32	6220-75	2-1.42-23
528961	2-13.20-4-8	58000213	2-10.16	62316	2-1.17-9
5293-57	2-1.42-7	5864000	2-1.20-1-11	62414	2-1.17-14

519

517

Makers Part/Drawing No.	Chapter, Page and Fig-Item No.	Makers Part/Drawing No.	Chapter, Page and Fig-Item No.	Makers Part/Drawing No.	Chapter, Page and Fig-Item No.
62449	2-1.17	6265-79	2-1.38-35	6393795	2-3.1-34
6246296	2-1.13	627507	2-13.14-5-1	6393883	2-1.9-27
62474	2-1.17-4		1	6394071	2-9.24
6255-6255-55	2-1.40-29	628586	2-13.32-21-	6397412	2-1.2-11
62564	2-1.17		29	64066596	2-6.2-8
6265-104	2-1.38-15	62915	2-1.17-12	6424	2-7-3.2-20
6265-105	2-1.38-16	6300	2-5.35	6491006	2-10.2
6265-108	2-1.38	630107068	2-9.7-4-6	651	2-10.2
6265-117B	2-1.38-14	630295	2-13.34-1-9	65421	2-1.17-10
6265-120	2-1.40-5	6304554	2-10.19	6646	2-12.5-1-9
6265-121	2-1.40-26	6308993	2-1.8-21	664977	2-13.32-10
6265-122	2-1.40-25	6310850	2-9.7-32	665047	2-13.19-26
6265-138	2-1.39-48	6311343	2-1.9-31	665058	2-13.19-8-1
6265-138	2-1.39-50	6314585	2-1.55		2
6265-138	2-1.40-48	6314585	2-10.2	665069	2-13.19-29
6265-141	2-1.40-3	6316377	2-9.14-15	665081	2-13.19-27
6265-169	2-1.38-6	6316377	2-9.14-34	673694	2-13.29-2
6265-185	2-1.38-34	6317-31D	2-1.42-5	679281	2-13.14-23
6265-195A	2-1.38-4	6317742	2-1.4-2	681456	2-13.3-2
6265-196	2-1.38	6317961	2-1.54	681467	2-13.3-3
6265-269A	2-1.40-1	6323877	2-10.6-6	681478	2-13.3-4
6265-274	2-1.40-27-5	6326630	2-10.3	681489	2-13.3-5
	0	6327709	2-1.8-17	682593	2-13.32-1-4
6265-32A	2-1.38-17	6329935	2-2.1-57	682606	2-13.32-6
6265-325	2-1.38-12	6332A1274	2-1.43-39	682617	2-13.32-7
6265-365	2-1.40-2	6332926	2-9.18-20	682628	2-13.32-8
6265-366	2-1.40-40,4	6333F808	2-1.38-3	682639	2-13.32-9
	1	6340514	2-10.2	682662	2-13.3-7
6265-377	2-1.40-37	6342342	2-2.3-15	682673	2-13.3-8
6265-384	2-1.40-11	6342396	2-1.8-14	682684	2-13.3-6
6265-385	2-1.38-21	6342605	2-5.2	682695	2-13.3-13
6265-385	2-1.40-15	6348488	2-1.7	682708	2-13.3-9
6265-386	2-1.38-19	6351268	2-9.1	682719	2-13.3-10
6265-397	2-1.39-44	6352516	2-4.1-14	682720	2-13.3-11
6265-409A	2-1.40-23	6354860	2-9.7	682731	2-13.3
6265-430	2-1.38-39	6355090	2-9.1	682742	2-13-2-5
6265-431	2-1.39-47	6355090	2-9.14	682753	2-13-2-2
6265-438	2-1.40-31	6355090	2-9.20	682764	2-13-2-3
6265-439	2-1.39-54	6356131	2-9.5-9	682775	2-13-2-4
6265-444	2-1.38-34-4	6357421	2-10.11	682786	2-13-2-1
	7	6357421	2-10.19	682797	2-13.3-12
6265-445	2-1.38-37	6358148	2-1.55	682800	2-13-2-8
6265-446	2-1.39-52	6358148	2-10.19	682811	2-13-2-7
6265-447A	2-1.38-30	6358148	2-10.2	682822	2-13.2-11
6265-464	2-1.40-22	6358148	2-6.3-14	682833	2-13.2-12
6265-464	2-10.11	6358148	2-6.30	682844	2-13.2-13
6265-470	2-1.39	636428	2-13.3	682855	2-13-2-10
6265-471	2-1.38-13	6366744	2-1.8-4	682888	2-13.3-1
6265-472	2-1.39	6372048	2-9.7-29	682899	2-13-2-6
6265-473	2-1.41	6373158	2-10.3	682979	2-13.28-1-1
6265-473A	2-1.41	6375019	2-9.6		2
6265-474	2-1.39	637510	2-13.29-1-3	683185	2-13.29-24
6265-476	2-1.39		0	683196	2-13.29-25
6265-491	2-1.40-10	6375766	2-9.6	683209	2-13.29-26
6265-496	2-1.40-35,3	6386656	2-9.4-18	683210	2-13.29-27
	6	6387266	2-9.8	683221	2-13.29-28
6265-515	2-1.38-18	6387309	2-9.7-30	683232	2-13.29-29
6265-516	2-1.38-20	6388106	2-1.8-19	683243	2-13.29-17
6265-545	2-1.40-28-3	6388860	2-6.8-42	683776	2-13.14-20
	4	6388909	2-5.2-26	683981	2-13.29
6265-558	2-1.40-21	6388909	2-5.2-4	6954-135	2-5.26-6
6265-78	2-1.38-43	6391090	2-1.45-3	6954-135	2-5.33-6

Makers Part/Drawing No.	Chapter, Page and Fig-item No.	Makers Part/Drawing No.	Chapter, Page and Fig-item No.	Makers Part/Drawing No.	Chapter, Page and Fig-item No.
6954-165	2-5.26-9	7150650	2-1.11-6	734132	2-13.19
6954-165	2-5.33-9	7150650	2-1.2	736134	2-13.16-6-1
6954-82	2-5.34-35	715673	2-13.21-8-1		8
7HE3616	2-1.45-4		4	739353	2-13.31-1-1
7008-187	2-1.33	7159753	2-1.4-18		5
70244	2-10.11	7161277	2-10.19	739488	2-13.33-1-1
70289	2-10.11	7166143	2-1.44-31		8
7055121	2-3.1-10	7166143	2-1.45-30	739499	2-13.32-1-2
7055121	2-9.29-8	7166144	2-1.45-25		0
7057770	2-1.2-16	7173276	2-1.9-32	739546	2-13.28-1-1
7060370	2-9.1	7173283	2-1.2-23		4
7063323	2-9.13-12	7173285	2-1.3-25	739706	2-13.14-1-2
7074135	2-1.7	7173420	2-1.11-2		8
7074135	2-1.9-35	7173427	2-1.2-8	7529-88	2-5.24-1
7074135	2-10.6-7	7176554	2-1.11-14	7600-134	2-5.26-7
7075268	2-1.9-29	7176560	2-1.11-13	7600-134	2-5.33-7
7075279	2-1.9-28	717971	2-9.15-9	7600-99	2-5.26-12
7080562	2-1.11-23	7180158	2-9.7	7600-99	2-5.33-12
7080563	2-1.11-22	7185691	2-6.1-5	7607-119A	2-5.22-4
7082851	2-13.30-2	7185694	2-6.1-4	7607-119B	2-5.22
7083936	2-2.1-11	7189917	2-1.11-25	7607-119C	2-5.22
708469	2-10.11	7191998	2-1.3-27	7607-119D	2-5.22
7085976	2-9.18-13	7191999	2-1.3-28	7607-129	2-5.20
7085976	2-9.18-16	7192664	2-9.19-28	7607-160	2-5.22-11
7088827	2-10.13	7195682	2-1.7	7607-17	2-5.23-30
708889	2-13.20-1-1	7197-75	2-5.24-18	7607-97	2-5.21-12
	3	7197-75	2-5.31-18	7607-97	2-5.21-6
7090308	2-9.18-24	7197-76	2-5.24	7607/32	2-5.23-28
7090363	2-10.19	7197-76	2-5.31	7609-120A	2-5.20-42
7091666	2-10.13	7197840	2-1.36-9	7609-120A	2-5.21-17
7094460	2-1.34-3	7200095	2-6.10-15	7609-121	2-5.21-9
7094460	2-1.35-17	7200535	2-9.20	7609-122	2-5.21-7
7094460	2-3.1-29	7205337	2-9.7	7609-19	2-5.22-3
7095313	2-3.1-2	7206269	2-1.2-3	7609-4	2-5.22
709538	2-5.17	7206270	2-1.2	7609-4A	2-5.22-13
7097723	2-3.1-12	7206271	2-1.2	760974	2-13.33-13
7098073	2-9.11	7206272	2-1.2	761-4763	2-14.3
7098073	2-9.12	7207429	2-9.8	7611F	2-5.21-10
7099379	2-2.1-46	7207999	2-6.1	7611F	2-5.21-8
710270	2-13.21-1-7	720829	2-13.12-1-2	76209-02-29	2-9.7-10
7105022	2-10.16		0	7644-2	2-5.21-2
7106985	2-1.22-14	7210734	2-6.23-4	76844	2-10.11
7111-843	2-1.20-2	7210734	2-6.25-7	7726-9	2-5.22-15
7111-889	2-1.20-4	7210821	2-3.1	7745-7A	2-5.23
7111-891	2-1.20-3	7212111	2-10.19	7745-8A	2-5.23-26
7115238	2-1.2-15	7212116	2-10.11	7770-12	2-5.22-21
7115820	2-3.1-4	7213055	2-1.4-11	779497	2-13.33-19
711931	2-13.9	7213056	2-1.4-11	7887-3	2-5.22-2
7123272	2-10.13	7213057	2-1.4-12	7887-3A	2-5.22
7124923	2-1.2-19	7213058	2-1.4-12	7887-7P	2-5.23
7126018	2-1.8-5	7213059	2-1.4-15	7887-8	2-5.23
7126027	2-9.15-10	7213060	2-1.4-15	7956851	2-9.18-23
7126607	2-1.36-12	7213061	2-1.4-13	7960427	2-9.8
7128917	2-6.7-9	7213062	2-1.4-13	7963337	2-10.2
7133781	2-1.45-26	7213064	2-1.4-14	7965188	2-1.22-10
7134809	2-9.11-2	7213226	2-1.11-24	7966887	2-1.9-37
7134809	2-9.15	7216063	2-1.4-14	7970898	2-1.55
7135176	2-1.45-27	7220731	2-10.1	7973025	2-1.22-8
7135177	2-1.45-28	7229967	2-1.55	7973041	2-1.22-3
7136301	2-2.1-4	7305-53	2-5.21-4	7973042	2-1.22-4
7140427	2-11.6-16	734121	2-13.19-2-2	7976624	2-10.1
7143540	2-1.45-11		6	7976636	2-10.2

581

599

Makers Part/Drawing No.	Chapter, Page and Fig-item No.	Makers Part/Drawing No.	Chapter, Page and Fig-item No.	Makers Part/Drawing No.	Chapter, Page and Fig-item No.
7978486	2-9.8	812308	2-13.5-59&6	8837120	2-5.32-36
7978487	2-9.8-40		1	8837120	2-7-2.5-35
7979812	2-10.1	812319	2-13.5-41-4	8838551	2-9.17-19
7984588	2-1.22-1-13		7	8838564	2-10.19
7984725	2-1.22-7	812319	2-13.5-53-5	8838564	2-3.1-36
7984779	2-1.12-2,3		4	8838564	2-6.30
7984781	2-1.22-9	812319	2-13.5-59&6	8838564	2-6.7
7984787	2-1.22-11		1	8838564	2-9.17-17
7988579	2-9.18-12	812320	2-13.5-62-6	8838564	2-9.27-7
7988579	2-9.18-15		5	8838720	2-10.11
7988786	2-9.18-5	812342	2-13.5-41-4	8838943	2-6.16-1
7988788	2-9.18-8		7	8839066	2-1.37-11
7988793	2-9.18-11	812400	2-13.34-9	8839241	2-1.2-13
7988793	2-9.18-14	816824	2-13.17-1-2	8841655	2-6.33
7988794	2-9.18-10		3	8844636	2-9.8
7989166	2-2.1-7	817712	2-13.33-12	8845504	2-9.13-4
7989413	2-3.1-11	817723	2-13.33-16	8847135	2-10.19
7991554	2-10.1	819543	2-13.15-4-2	8852141	2-1.11-10
7991595	2-10.1		2	8854367	2-9.20
7995612	2-10.1	819634	2-13.15-8	8855321	2-1.44-30
7996015	2-9.18	819634	2-13.17-9	8855487	2-9.17-15
7996045	2-9.18-2	82073	2-1.25-66	8855967	2-1.4A-22
7996334	2-9.18-9	821774	2-13.34-1	8855989	2-1.3-26
7996335	2-9.18	82234	2-1.25-55	8855991	2-1.2-21
7996337	2-9.18-4	835830	2-1.11	8856095	2-1.22-16
7996342	2-9.18-6	8514600	2-1.13-2	8856095	2-1.54
7996346	2-9.18-1	855605	2-13.1-2	8856463	2-3.1-7
7997054	2-9.7	856048	2-13.34-2-4	891035373	2-6.12
7997055	2-9.7-10-25	856059	2-13.34-5	8965946	2-6.30
7997511	2-9.7-7	856060	2-13.34-6	8972581	2-9.10-10
7997570	2-9.7	857903	2-9.19	9-166010	2-12.3-13
8	2-5.13-5	857914	2-13.32-31	9037335	2-10.1
811056	2-13.33-3	859018	2-13.14-25	9078612	2-8.3-3
811396	2-13.15	860363	2-10.14	9079826	2-5.18
811396	2-13.17	861114	2-13.29-11	9100002	2-9.8
811499238	2-6.26-27	861122	2-10.13	9100003	2-9.8
811499486	2-6.16-10	861122	2-10.14	91000063	2-1.8
811681	2-13.7-1-9	861692	2-13.2	91000064	2-1.8
811692	2-13.7-9	861692	2-13.4-1-72	91000066	2-1.8-2
811705	2-13.7-8	861716	2-13.15-1-2	91000179	2-2.3-7
811716	2-13.7-7		2	91000484	2-1.8-6
811727	2-13.7-5	861727	2-13.8-1-8	91000510	2-1.50-9
811738	2-13.7-4	862591	2-13.8-8	91000515	2-1.10-3
811749	2-13.7-1	862604	2-13.8-6	91000530	2-9.25-9
811885	2-13.10-2	862853	2-13.5-41-6	91000643	2-1.8
811943	2-13.4-14		1	91000666	2-9.21
811954	2-13.4-16	8820460	2-9.23-3	91000791	2-1.9-36
811987	2-13.6-20-3	8820551	2-9.8	91001032	2-1.9-25
	9	8822769	2-1.12	91001033	2-1.9-26
811987	2-13.6-68&7	8822769	2-1.13-9	91001259	2-9.14-7
	3	8824904	2-10.3-23	91001427	2-9.14-13
812079	2-13.5-40	8829586	2-13.19	91001760	2-9.16-13
812217	2-13.5-62	8831686	2-1.12	91003119	2-10.11
812228	2-13.5-63	8832076	2-9.11-3	91003330	2-10.1-6,7
812239	2-13.5-64	8832769	2-10.1-2		& 8
812262	2-13.4-28-3	8832769	2-9.16-10	91003332	2-1.10-8
	8	8832769	2-9.19-13	91003408	2-2.1-17
812295	2-13.5-41-6	8832769	2-9.19-20	91003413	2-1.8-1,2
	1	8832769	2-9.19-30	91003428	2-10.2
812308	2-13.5-41-4	8832769	2-9.19-9	91003433	2-9.8
	7	8836032	2-9.11-9	91004061	2-1.35-12
812308	2-13.5-53-5	8837120	2-5.25-36	91004324	2-6.5-15
	4				

Makers Part/Drawing No.	Chapter, Page and Fig-item No.	Makers Part/Drawing No.	Chapter, Page and Fig-item No.	Makers Part/Drawing No.	Chapter, Page and Fig-item No.
91004405	2-1.19	91012874	2-1.54-3	91024535	2-1.14-4
91004406	2-1.19	91012959	2-1.8-16,17	91024655	2-9.8
91004833	2-1.51-15	91013024	2-10.12	91024903	2-9.4-4
91004853	2-9.5-2	91013085	2-10.19	91025036	2-9.6
91005037	2-9.6	91013120	2-9.16-11	91025037	2-9.6
91005054	2-9.5-10	91013204	2-1.54-12	91025415	2-5.12
91005169	2-9.5-3	91013242	2-9.16-7	91025415	2-5.13-1-10
91005175	2-9.6	91013576	2-9.21		3
91005194	2-9.6	91013947	2-10.19	91025420	2-2.1-1-6
91005263	2-6.2-13	91013971	2-10.11	91025781	2-3.1-26
91005415	2-9.6	91014207	2-1.54-8	91025902	2-9.2
91005659	2-6.32	91014278	2-6.5-6	91025903	2-9.2
91005754	2-9.16-18	91014400	2-8.2-2	91026118	2-6.33
91005940	2-9.15-8	91014400	2-8.4-3	91026173	2-10.10
91005941	2-9.15	91014767	2-10.8-4	91026319	2-6.12-1-3
91005941	2-9.15-2	91015088	2-1.34-5	91026546	2-1.54-11
91006273	2-1.36-7	91015246	2-6.1	91026549	2-3.1-21
91006360	2-2.1-31	91015572	2-1.54-14	91026562	2-6.28-19
91006391	2-10.3-11	91015760	2-1.49-16	91026562	2-6.33
91006599	2-9.9-46	91016210	2-9.22	91026742	2-1.12
91007271	2-6.2	91017200	2-9.22	91026937	2-2.1-26
91007583	2-9.11	91017481	2-9.19-23	91027259	2-9.10-1
91007583	2-9.12-7	91018471	2-1.13-8	91027402	2-9.10-7
91007672	2-6.8-30	91018479	2-1.13-7	91027472	2-9.10-11
91007677	2-9.12-6	91018484	2-1.13	91027473	2-9.10-8
91008124	2-9.1	91019986	2-5.11-19	91027549	2-6.1
91008125	2-9.1	91020071	2-10.11	91028162	2-1.55
91008145	2-9.3	91020103	2-6.8-5	91028162	2-10.2
91008145	2-9.4	91020472	2-1.7	91028294	2-10.10
91008158	2-9.21	91020475	2-10.12	91028862	2-10.10
91008391	2-9.13-6	91020799	2-1.11-18	91028940	2-9.9
91008470	2-1.53-3	91020847	2-1.2-10	91028941	2-9.8-44
91008983	2-9.1	91020862	2-9.23-5	91029197	2-1.14-9
91009010	2-9.17-16	91020979	2-1.11-35,3	91029197	2-10.11
91009069	2-10.3-12		6	91029197	2-10.19
91009092	2-9.4-21	91021123	2-9.28-6	91029230	2-1.14-8
91009141	2-9.15-13	91021124	2-9.28-17	91029627	2-1.10-7
91009142	2-9.15-14	91021330	2-6.8-6	91029707	2-8.2
91009392	2-8.2-17	91021331	2-6.8-7	91029748	2-1.15-5
91010181	2-9.1	91021733	2-10.19	91029842	2-1.50-3
91010181	2-9.3	91022172	2-1.2-18	91030013	2-7-2.5
91010181	2-9.4	91022255	2-9.13-11	91030078	2-1.34-6-7
91010242	2-9.15-12	91022314	2-6.5-17	91030078	2-3.1
91010689	2-1.51-19	91022528	2-6.5-1	91030211	2-6.2-7
91010879	2-9.12-4	91022640	2-8.2-3	91030401	2-1.13
91011044	2-10.1	91022640	2-8.4-4	91030852	2-4.1-1
91011264	2-9.14-12	91022737	2-9.6	91030969	2-9.26-4
91011269	2-9.14-23	91022738	2-9.5-1	91031688	2-9.14
91011337	2-6.25-15	91022796	2-10.9-1-3	91031688	2-9.14-2
91011468	2-9.14-9	91022797	2-10.9-4-6	91031688	2-9.14-5
91011503	2-6.8-8-11	91023103	2-10.8-2	91031688	2-9.14-8
91011556	2-9.14	91023161	2-9.13-5	91031695	2-6.8-9
9101175	2-10.2	91023412	2-1.4-3	91032171	2-1.54-7
91011887	2-6.29	91023414	2-1.4-3	91032410	2-4.1-5
91011887	2-6.30	91023819	2-10.14	91032419	2-9.15
91011887	2-6.34	91023893	2-9.11	91032994	2-9.7-17
91011887	2-6.35	91023893	2-9.12	91032995	2-9.7-22
91011985	2-1.44-1-30	91024211	2-10.14	91033254	2-1.2-24
91012100	2-9.5-14	91024316	2-8.2-4	91033738	2-10.19
91012175	2-9.12	91024316	2-8.4-5	91034148	2-1.19
91012177	2-9.12	91024410	2-1.2-20	91034178	2-1.19
91012713	2-10.1	91024501	2-10.14	91034302	2-1.19

583

601

Makers Part/Drawing No.	Chapter, Page and Fig-item No.	Makers Part/Drawing No.	Chapter, Page and Fig-item No.	Makers Part/Drawing No.	Chapter, Page and Fig-item No.
91034302	2-1.50	91039010	2-10.3-9	91045012	2-1.51-13
91035209	2-1.4A-25	91039177	2-10.3-1	91045186	2-1.12
91035310	2-6.11	91039246	2-10.3-7	91045448	2-10.18
91035364	2-1.19	91039247	2-10.3-8	91045507	2-9.4-26
91035366	2-1.19	91039444	2-10.3-6	91045508	2-9.4-16
91035370	2-6.11	91039454	2-1.8-18,19	91045607	2-3.1-22
91035370	2-6.14	91039827	2-1.9-33	91045734	2-1.54
91035370	2-6.15	91039960	2-9.12-11	91046267	2-1.2-9
91035370	2-6.17	91039961	2-9.12-13	91047160	2-1.1-56
91035370	2-6.18	91040464	2-1.15-3	91047173	2-1.5-10
91035370	2-6.19	91040465	2-1.15-4	91047349	2-1.53-5
91035370	2-6.20	91040681	2-10.18	91047353	2-1.53-13
91035370	2-6.21	91040683	2-10.16	91047360	2-1.52
91035370	2-6.23	91040684	2-10.16	91047361	2-1.51-18
91035370	2-6.24	91040981	2-10.9-3	91047364	2-1.51-17
91035373	2-6.11	91040982	2-10.9-6	91047365	2-1.51-16
91035373	2-6.12	91041314	2-9.29-6	91047366	2-1.51-12
91035373	2-6.13	91041315	2-9.29-3	91047367	2-1.51-10
91035373	2-6.13	91041324	2-3.1-35	91047368	2-1.51-1
91035373	2-6.13	91041340	2-6.30	91047369	2-1.51-3
91035373	2-6.14	91041346	2-6.30	91047390	2-13.30-6
91035373	2-6.23	91041715	2-6.20-34	91047390	2-6.7-6
91035373	2-6.24	91041715	2-6.33	91047391	2-13.30-7
91035373	2-6.25	91041716	2-6.29	91047391	2-6.7
91035373	2-6.26	91041716	2-6.32	91047405	2-6.11-15
91035373	2-6.27	91041716	2-6.34	91047489	2-6.3-12
91035373	2-6.31	91042056	2-6.32	91047969	2-6.3-6
91035374	2-6.31	91042057	2-6.20-29	91048064	2-10.10
91035375	2-6.31	91042057	2-6.29	91048158	2-6.8-16
91035429	2-1.19	91042057	2-6.32	91048159	2-6.8-14
91035517	2-9.1	91042273	2-10.11	91048208	2-9.6
91035636	2-1.19	91042593	2-1.19	91048223	2-9.27-11
91035673	2-8.2-15	91042593	2-1.50	91048224	2-9.27-1
9103573	2-6.14	91042595	2-1.12	91048224	2-9.27-2
91035752	2-1.19	91042777	2-9.4-12	91048226	2-10.2
91035753	2-1.19	91042778	2-9.4-9	91048296	2-9.24
91035806	2-1.7	91042798	2-9.23	91048297	2-9.24-13
91036433	2-1.35-1	91042799	2-9.23	91048359	2-10.16
91036434	2-1.35-2	91042800	2-9.20	91048416	2-6.27-34
91036435	2-1.35-3	91042801	2-9.20	91048416	2-6.33
91036436	2-1.35-4	91042875	2-7-2.5-32	91048465	2-2.2
91036437	2-1.35-5	91042893	2-1.34-1	91048545	2-1.54
91036438	2-1.35-6	91043096	2-10.1	91048548	2-2.1-55
91036720	2-2.1-40	91043231	2-9.6	91048563	2-1.54
91036912	2-1.35-18	91043503	2-1.37-7	91048613	2-6.29
91036934	2-8.3-5	91043504	2-1.37-4-6	91048662	2-6.31
91036934	2-8.5-5	91043610	2-8.1-3	91048663	2-6.31
91037260	2-8.4-12	91043611	2-8.1-4	91048664	2-6.31
91037320	2-6.30	91043617	2-9.22	91049084	2-9.23-4
91037325	2-6.30	91043622	2-3.1	91049085	2-9.23
91037514	2-10.15	91043657	2-6.8	91049153	2-9.4-6
91037647	2-10.17	91043658	2-9.2	91049256	2-1.12
91037900	2-9.1	91043659	2-9.2	91049256	2-1.13
91037901	2-9.2	91043789	2-1.14-1	91049306	2-6.8-38
91037903	2-10.4-5	91044462	2-8.2	91049307	2-6.8
91037936	2-10.10	91044463	2-8.2-1	91049401	2-1.37-8
91038221	2-6.29	91044529	2-9.29-4	91049452	2-10.17
91038223	2-10.10	91044530	2-9.29-7	91049571	2-13.30-1
91038249	2-8.3-2	91044820	2-9.3	91049615	2-1.11-9
91038249	2-8.5-2	91044823	2-9.3	91049616	2-1.4A-23
91038862	2-9.1	91044824	2-9.4-17	91049618	2-1.11-21
91039010	2-10.3-14	91044838	2-9.3	91049619	2-1.11-15,16

Makers Part/Drawing No.	Chapter, Page and Fig-Item No.	Makers Part/Drawing No.	Chapter, Page and Fig-Item No.	Makers Part/Drawing No.	Chapter, Page and Fig-Item No.
91049674	6 2-6.18-30	91053756	2-6.5-25-29	91059433	2-6.15-16
91049684	2-6.25-17	91053880	2-1.53-11	91059621	2-5.11-10
91049684	2-6.25-3	9105389	2-6.3-16	91059622	2-5.11-22
91049688	2-6.21-15	91053919	2-1.8-12	91059646	2-5.3
91049688	2-6.23-16	91054044	2-13.22-6	91059647	2-5.11-1
91049691	2-6.28-14	91054146	2-6.5-10	91059647	2-5.11-24
91049692	2-6.21-16	91054147	2-6.5-7	91059649	2-5.5-30
91049710	2-1.13	91054148	2-6.5-8	91059656	2-5.11-7
91049723	2-9.28-27	91054415	2-9.14-35	91059657	2-5.11-8
91049728	2-6.11-3	91054449	2-2.1	91059669	2-5.7-33
91049728	2-6.28-20	91054700	2-1.2-14	91059687	2-5.4-10
91049728	2-6.33	91054702	2-2.2	91059705	2-5.5-24
91049742	2-1.13-1	91054725	2-1.53-9	91059722	2-5.2
91049744	2-1.13-3	91054730	2-1.50-1,2	91059729	2-5.8-7
91049747	2-9.28-25	91054730	2-1.50-11	91059730	2-5.8-8
91049748	2-9.28-21	91054734	2-7-2.5-34	91059732	2-5.9-1
91049761	2-9.28-5	91054753	2-1.54-16	91059751	2-5.9
91049762	2-9.28-8	91054765	2-1.54-1	91059752	2-5.9-17
91049769	2-9.28-24	91054784	2-4.1-17	91059756	2-5.9-22
91049785	2-1.37-1-10	91054785	2-4.1-11	91059763	2-5.2-14
91049917	2-1.19	91054817	2-2.1-48	91059766	2-5.2-10
91049927	2-6.19-1	91054822	2-2.1-49	91059786	2-5.2-15
91050548	2-13.11-6	91054823	2-2.1-50	91059809	2-5.2-25
91050548	2-6.19	91054850	2-1.1	91059820	2-5.15
91050548	2-6.3-15	91054851	2-1.1	91059821	2-5.13-47
91050548	2-6.30	91054943	2-1.20	91059821	2-5.14-84
91050632	2-9.26-3	91054982	2-8.4	91059822	2-5.14-72
91050843	2-1.4A-21	91054983	2-1.37-13	91059824	2-5.15
91050844	2-1.4-20	91054998	2-10.11	91059826	2-5.14-60
91051126	2-9.23-2	91055011	2-10.1-15	91059826	2-5.14-65
91051127	2-9.23	91055026	2-1.37-12	91059829	2-5.14-103
91051174	2-6.5-9	91055078	2-5.1	91059838	2-5.14-99
91051174	2-9.10-5	91055114	2-10.15	91059842	2-5.14-97
91051190	2-9.1	91055126	2-8.1	91059844	2-5.14-58
91051195	2-6.8	91055127	2-8.1-2	91059846	2-5.14-70
91051253	2-9.4-7	910555803	2-9.7-6	91059852	2-5.13-34
91051259	2-9.1	91055762	2-9.2	91059859	2-5.14-49
91051348	2-9.9	91055763	2-9.2	91059859	2-5.14-66
91052419	2-6.23-13	91056113	2-5.28	91059859	2-5.14-85
91052492	2-4.1-6	91056245	2-6.24-22	91059888	2-5.14-92
91052505	2-10.10	91056265	2-6.26-19	91059895	2-5.13-40
91052568	2-1.54	91056266	2-6.25-2	91059915	2-5.16-1-32
91052621	2-6.5	91056267	2-6.26-21	91059991	2-12.8
91052631	2-6.5	91056267	2-6.27-38	91060007	2-5.19-17
91052647	2-6.5	91056293	2-1.15-1	91060007	2-5.29-17
91052647	2-6.20-27	91056296	2-8.2-18	91060008	2-5.30-23
91052713	2-6.11-10	91056296	2-8.4-14	91060017	2-5.19-8
91053288	2-5.8-2	91056302	2-1.15-6	91060017	2-5.29-8
91053288	2-5.8-6	91056305	2-1.50-5	91060018	2-5.19-6
91053454	2-1.37-4-11	91056334	2-1.15-2	91060018	2-5.29-6
91053468	2-1.5-11	91056374	2-4.2-7	91060030	2-5.23-27
91053469	2-1.5-11	91056375	2-4.2-8	91060042	2-5.27-30
91053470	2-1.5-11	91056386	2-9.28-26	91060054	2-5.21-11
91053490	2-5.11-23	91057290	2-9.3	91060054	2-5.21-18
91053490	2-5.11-3	91057290	2-9.4	91060062	2-5.33-20
91053491	2-5.2-2	91057291	2-9.3	91060077	2-5.21
91053492	2-5.2-8	91057291	2-9.4	91060079	2-5.21-3
91053498	2-5.2-24	91057470	2-10.10	91060080	2-5.22-6
91053499	2-5.2-9	91057603	2-10.13	91060098	2-5.20-38
91053714	2-6.10	91057703	2-3.1-32	91061034	2-10.17
91053717	2-3.1-31	91057705	2-1.9-38	91061049	2-6.21-18
91053756	2-6.5-25-29	91059431	2-6.23-14	91061049	2-6.21-20

585

603

Makers Part/Drawing No.	Chapter, Page and Fig-item No.	Makers Part/Drawing No.	Chapter, Page and Fig-item No.	Makers Part/Drawing No.	Chapter, Page and Fig-item No.
91061053	2-6.23-15	91067612	2-6.10	91074435	2-6.10
91061067	2-6.17-27	91067832	2-1.37-14	91074436	2-6.10
91062017	2-2.1-42	91067931	2-10.18	91074437	2-6.10
91062019	2-4.1-2	91068114	2-10.2	91074438	2-6.10
91062041	2-1.54-13	91068164	2-6.6-16	91074439	2-6.10
91062450	2-6.9	91068483	2-2.1-47	91074441	2-6.10
91062592	2-3.1-1-7	91068505	2-1.4-16	91074442	2-6.10
91062890	2-6.19-11-1 2	91068506	2-1.4-16	91074447	2-6.7
91063059	2-9.25-10	91068507	2-1.4-16	91074448	2-6.7
91063129	2-6.24-21	91068508	2-1.4-17	91074455	2-6.7
91063138	2-1.4-19	91068509	2-1.4-17	91074456	2-6.7
91063173	2-1.16-1	91068510	2-1.4-17	91074457	2-6.6
91063174	2-1.16-2	91068517	2-6.15	91074686	2-1.54
91063176	2-1.16-3	91068518	2-6.14	91075087	2-1.37-3
91064280	2-9.8-37	91068519	2-6.14	91075206	2-5.8-3
91064281	2-9.8	91068546	2-6.18-35	91075215	2-1.5-2-4
91064495	2-9.8-43	91068793	2-6.8-31	91075216	2-1.5-2-4
91064498	2-9.8-42	91068839	2-11.4-99	91075217	2-1.5-2-4
91064592	2-1.22-13	91068907	2-13.11	91075249	2-1.5-1-6
91064608	2-1.35-10	91068910	2-13.11-5	91075251	2-1.5-1-6
91064626	2-1.33	91068911	2-13.11-4	91075252	2-1.5-1-6
91064684	2-6.10-54	91068912	2-13-1	91075254	2-1.5-1-6
91064748	2-1.35-13	91068912	2-13.11-2	91075326	2-5.2-13
91064996	2-1.16-4	91068915	2-13.11-3	91075481	2-5.24-21
91065024	2-6.5-3	91068940	2-5.1	91075481	2-5.31-21
91065098	2-1.18-1-24	91069059	2-8.6	91075496	2-5.20-23
91065124	2-8.1	91069553	2-10.17	91075527	2-5.26-4
91065125	2-8.1-1	91069593	2-6.7-1	91075528	2-5.33-4
91065126	2-8.1	91069684	2-6.13-26	91075876	2-1.37-15
91065162	2-10.11	91069852	2-6.8	91076263	2-6.27-40
91065216	2-1.5-7-9	91069967	2-9.1	91076264	2-6.26-20
91065244	2-6.17-29	91070028	2-1.49-3	91076264	2-6.26-25
91065315	2-1.8-15	91070352	2-6.17-23	91076264	2-6.27-39
91065318	2-1.8-8	91070352	2-6.18-34	91076265	2-6.26-24
91065348	2-6.14-10	91070352	2-6.24-17	91076265	2-6.27-37
91065349	2-6.14-6	91070353	2-6.11-21	91076266	2-6.25-4
91065470	2-2.1-51	91070353	2-6.19	91076266	2-6.26-22
91065473	2-1.19	91070527	2-8.2-16	91076267	2-6.6-6
91065473	2-1.34-2	91070564	2-1.35-11	91076268	2-6.6
91065473	2-1.35-7	91070571	2-8.2-8	91076377	2-2.1-28
91065473	2-3.1	91070575	2-8.2-9	91076739	2-7-2.5-33
91065601	2-6.30	91070575	2-8.4-9	91076841	2-10.17
91065601	2-6.34	91071014	2-5.18	91076914	2-6.19-15
91065648	2-6.30	91071015	2-5.18	91076914	2-6.35
91065687	2-6.29	91071026	2-1.35-8	91076915	2-6.19
91065782	2-2.1-16	91071174	2-3.1-13	91077014	2-6.33
91065789	2-10.15	91071768	2-5.11	91077070	2-6.20-28
91065791	2-6.35	91071769	2-5.11-9	91077253	2-4.2-14
91065799	2-10.17	91071933	2-4.2-3	91077309	2-6.17-1-21
91065847	2-9.20	91071937	2-4.2-2	91077403	2-6.13-22
91066400	2-4.2-1	91072407	2-6.3-8	91077403	2-6.24-18
91066403	2-4.1-7	91072551	2-1.50-14	91077405	2-6.13
91066426	2-6.5-18	91072568	2-9.29-5	91077406	2-6.13
91066427	2-6.5	91072615	2-9.29-15	91077411	2-6.13-24
91066428	2-6.5	91072648	2-2.1-21	91077411	2-6.25-1
91066429	2-6.5	91072971	2-8.4-8	91077411	2-6.26-23
91066526	2-1.4A-26	91073073	2-9.7-31	91077447	2-6.11-19
91066569	2-1.6	91073956	2-6.19-19	91077447	2-6.19-9
9106666	2-9.18-30-3 3	91074046	2-6.30	91077456	2-6.1-3
91067600	2-10.11	91074302	2-6.6-1	91077458	2-6.1
		91074389	2-6.24-19	91077462	2-7-2.5
		91074389	2-6.24-20	91077471	2-6.12-7

Makers Part/Drawing No.	Chapter, Page and Fig-item No.	Makers Part/Drawing No.	Chapter, Page and Fig-item No.	Makers Part/Drawing No.	Chapter, Page and Fig-item No.
91077472	2-6.12-13	91083624	2-6.11-18	91105467	2-1.4
91077473	2-6.12-10	91083624	2-6.17-26	91105545	2-1.36-15
91077507	2-2.1-32	91083661	2-6.8	91113159	2-1.12
91077614	2-9.28-12	91083662	2-6.8-48	91114503	2-6.10
91077699	2-6.32	91083669	2-1.13	91116392	2-10.1
91077714	2-6.28	91083948	2-6.7	91118111	2-5.8
91077950	2-10.4-18	91084103	2-6.20-30-3	91118111	2-6.5
91077975	2-1.16-5		1	91118112	2-5.8
91078057	2-10.8-17-2	91084872	2-9.17-7-10	91118112	2-6.5
	3	91084945	2-1.6-1-18	91130853	2-1.9-34
91078508	2-4.2-16	91085301	2-6.13	91130915	2-6.32
91078509	2-4.2-15	91085596	2-6.20-36	911511-01305	2-5.17
91078612	2-8.5-3	91085820	2-10.18	911511-3014	2-5.17
91078613	2-8.3-4	91085854	2-13-1	9159738	2-5.10-36
91078613	2-8.5-4	91085855	2-13-1	922	2-5.13-23
91078801	2-1.8-7	91085871	2-10.18	9275061	2-6.33
91078809	2-10.6-1-5	91085888	2-5.17	9275821	2-6.30
91078810	2-10.6-2	91085891	2-13.30	9281-187	2-5.21-5
91079132	2-1.12	91085897	2-13-1	93151019	2-1.21-1-19
91079194	2-5.30	91085898	2-13-1	9392719	2-5.21-19
91079250	2-13.19	9108599	2-13-1	9392720	2-5.25
91079251	2-13.19	91086231	2-5.14-61	9392721	2-5.25
91079251	2-9.29-12	91086238	2-5.16-8	9392735	2-5.24-31
91079252	2-9.26-2	91086270	2-5.14	9392735	2-5.32-31
91079288	2-13.19	91086275	2-5.14-73	9392738	2-5.30-41
91079288	2-9.29-9	91086276	2-5.14-79	9392860	2-5.24-14
91079377	2-10.11	91086277	2-5.14-69	953693	2-13.31-10
91079378N	2-2.1-19	91086306	2-5.13-11	955888	2-13.28-21
91079379	2-2.1	91087467	2-1.54-17	956765	2-13.29-10
91079380	2-2.1-24	91087582	2-10.10	958143	2-13.14
91079381	2-2.1	91087835	2-9.17-5	959224	2-13.29-15
91079382	2-2.1-27	91087910	2-13.11-7	959235	2-13.29-14
91079383	2-2.1	91087911	2-13.11-1	9675F	2-10.8-1-8
91079571	2-9.3	91089960	2-1.4	9753	2-1.17-2
91079575	2-2.1	91090000	2-13-1	9774	2-1.17-22
91079595	2-6.34	91090006	2-13-1	9779	2-1.17
91079711	2-10.4-16	91090019	2-13-1	682866	2-13-2-9
91079711	2-10.4-17	91090020	2-13-1	9907295	2-10.3-13
91079781	2-6.35	91090633	2-10.7-1-15	9907636	2-9.8
91079827	2-5.18	91090634	2-10.7	9907636	2-9.8-38
91081738	2-1.12	91090710	2-10.8-9-16	9954766	2-6.2-5
91081739	2-1.12	91093028	2-6.12-19	9958070	2-9.14-6
91081739	2-1.13	91093272	2-6.21-1-4	9958090	2-9.14-4
91082003	2-1.8	91093273	2-6.11-7	9958138	2-6.21-14
91082004	2-1.8	91094665	2-6.28	9958138	2-6.27
91082197	2-6.21-5-11	91098532	2-9.19	9958512	2-2.3-6
91082213	2-6.33	91098533	2-9.19	9958542	2-9.8
91082214	2-2.1	91098706	2-6.6	9958543	2-9.8-41
91082336	2-6.5-11-13	91098900	2-13.19	9958603	2-1.9-30
91082439	2-9.14-20	911-7914	2-9.4-18	99587740	2-1.9-22
91082440	2-9.14-37	91102467	2-6.28-23	9959050	2-9.11-1
91082475	2-6.11-9	91103432	2-6.28	9959051	2-9.11-6
91082518	2-10.11	91103656	2-9.4-15	9959332	2-6.4-1
91082621	2-6.14-8	911050-0620	2-5.17	9959334	2-6.4-8
91082622	2-6.14	911050-4022	2-5.17	9959335	2-6.2-1-3
91082805	2-5.9	91105166	2-1.4	9959338	2-6.4-2
91082806	2-5.9-24	91105167	2-1.4	9959339	2-6.2
91082809	2-5.10-28	91105168	2-1.4	9959339	2-6.4-5
91082817	2-5.10-39	91105197	2-1.36	9959340	2-6.4-7
91083052	2-5.6-12	91105302	2-1.4	9959384	2-9.9
91083054	2-5.5-26	91105304	2-1.36	9959385	2-9.9-45
91083623	2-6.17-24	91105305	2-1.4A	9959401	2-9.8

587

Makers Part/Drawing No.	Chapter, Page and Fig-Item No.	Makers Part/Drawing No.	Chapter, Page and Fig-Item No.	Makers Part/Drawing No.	Chapter, Page and Fig-Item No.
9959587	2-9.8	9964460	2-1.5-8		
9959726	2-10.1	9964745	2-13.30		
9959768	2-9.11-4	9964745	2-13.30-4		
9959792	2-6.1-2	9964745	2-6.6		
9959983	2-9.16-4	9964745	2-6.7-7		
9960071	2-9.12-12	9964871	2-9.3		
9960111	2-9.25-7-8	9964871	2-9.4		
9960372	2-9.19-21	9964926	2-9.19-2		
9960373	2-9.19	9964926	2-9.5-15		
9960491	2-9.19-27	9964927	2-6.22-24-2		
9960492	2-9.19		5		
9960660	2-9.11-12	9964927	2-6.25-16		
9960661	2-9.11-10	9965088	2-1.11-17		
9960806	2-9.18-25	9965156	2-9.19-6		
9960865	2-9.12-9	9965157	2-9.19		
9960869	2-9.12-2	996531	2-9.1		
9960870	2-10.1-1	9965310	2-9.1		
9960923	2-9.19-15	9965311	2-9.1		
9960973	2-10.2	9965683	2-9.19-4		
9960988	2-9.6	9965683	2-9.19-7		
9960989	2-9.6	9965697	2-6.22		
9960995	2-9.8	9965697	2-6.26-26		
9960998	2-9.11-18	9965831	2-10.11		
9960998	2-9.14-22	9965904	2-9.14-27		
9960998	2-9.15	9966218	2-9.5		
9961042	2-9.19-16	9966219	2-9.5-11		
9961107	2-9.19-14	9966290	2-6.3-9		
9961133	2-9.20	9966916	2-9.20		
9961136	2-9.15-1	9966917	2-9.20		
9961137	2-6.7-5	9967273	2-1.36-10-1		
9961186	2-10.16		2		
9961189	2-9.9	9967277	2-1.20-9		
9961199	2-10.1-4	9967478	2-1.2-4		
9961201	2-9.20	9967479	2-1.2-5		
9961250	2-9.8	9967688	2-9.18-26		
9961251	2-9.8	9967689	2-9.18-21		
9961332	2-9.6	9967690	2-9.18-22		
9961767	2-1.44-11	9967848	2-5.11-13		
9961768	2-1.44-26	9967848	2-6.2		
9962042	2-9.10	9967862	2-5.11-20		
9962100	2-9.6	9968041	2-6.1-24		
9962101	2-9.6	9968042	2-6.1		
9962214	2-6.1	9968220	2-1.4-1,2		
9962305	2-6.1-10	9968224	2-1.2-2		
9962834	2-9.2	9968258	2-9.11-8		
9962936	2-1.14-10	9968259	2-9.11		
9963044	2-10.4-3	9969555	2-3.1-14		
9963354	2-6.1-27	9972019	2-1.37		
9963448	2-1.8-11	9972511	2-3.1-3		
9963492	2-6.10	9973132	2-10.1-14		
9963493	2-6.10	9973201	2-10.1		
9963494	2-5.30	9975322	2-1.12-1-5		
9963521	2-9.7-33	9975756	2-1.9		
9963552	2-9.7-27				
9963582	2-10.16				
9963843	2-9.12-14				
9963877	2-3.1-16				
9963922	2-1.35-9				
9963930	2-9.7				
9963931	2-9.7-1				
9964299	2-2.1-45				
9964388	2-1.5-9				

588

606

