



Ministry
of Defence

Defence Equipment and Support
Secretariat
#2043 Maple 0a
Ministry of Defence
Abbey Wood
Bristol BS34 8JH



Email: DES SEC-PolSec LE-JSC-
WPNS@mod.uk

[REDACTED]

Email: [REDACTED]

Our Reference:
FOI2020/08910
Date:
10 August 2020

Dear [REDACTED]

Thank you for your email of 3 August 2020 requesting the following information:

Please can you provide me with PDF copies of the following documents relating to the "Stove, Multiple Fuel Burner Number 12":

Army Equipment Support Publication 7310-B-100-201 "Operating Instructions"

and:

Army Equipment Support Publication 7310-B-100-711 "Illustrated Parts Catalogue"

Your request has been handled in accordance with the Freedom of Information (FOI) Act 2000.

A search has been undertaken and I can confirm that the Ministry of Defence (MOD) holds the two documents you have requested. Copies are attached to this letter.

Section 40(2) has been applied in order to protect personal information as governed by the General Data Protection Regulations. Section 40 is an absolute exemption and there is no requirement to consider the public interest in deciding to withhold the information.

If you have any queries regarding the content of this letter, please contact this office in the first instance. If you wish to complain about the handling of your request, or the content of this response, you can request an independent internal review by contacting the Information Rights Compliance team, Ground Floor, MOD Main Building, Whitehall, SW1A 2HB (e-mail CIO-FOI-IR@mod.gov.uk). Please note that any request for an internal review should be made within 40 working days of the date of this response.

If you remain dissatisfied following an internal review, you may raise your complaint directly to the Information Commissioner under the provisions of Section 50 of the Freedom of Information Act. Please note that the Information Commissioner will not normally investigate your case until the MOD internal review process has been completed. The Information Commissioner can be contacted at: Information Commissioner's Office, Wycliffe House, Water Lane, Wilmslow, Cheshire, SK9 5AF. Further details of the role and powers of the Information Commissioner can be found on the Commissioner's website at <https://ico.org.uk/>.

Defence Equipment & Support

Yours sincerely




DE&S Secretariat



STOVE, MULTIPLE FUEL BURNER No. 12

OPERATING INFORMATION

Sponsored for use in the
UNITED KINGDOM MINISTRY OF DEFENCE
AND ARMED FORCES
by


DE&S Abbey Wood
Bristol
BS34 8JH

CONDITIONS OF RELEASE

~~This information is released by the UK government for Defence purposes only.~~

~~This information must be afforded the same degree of protection as that afforded to information of an equivalent classification originated by the recipient Government or as required by the recipient Government's National Security regulations.~~

~~This information may be disclosed only within the Defence Department of the recipient Government, except as otherwise authorized by the Ministry of Defence (Army).~~

~~This information may be subject to privately owned rights.~~

~~THIS DOCUMENT IS THE PROPERTY OF HER BRITANNIC MAJESTY'S GOVERNMENT, and is issued for the information of such persons only as need to know its contents in the course of their official duties. Any person finding this document should hand it in to a British forces unit or to a police station for its safe return to the Ministry of Defence, (DDef Sy), Main Building, Whitehall London, SW1A 2HB, with particulars of how and where found. THE UNAUTHORIZED RETENTION OR DESTRUCTION OF THIS DOCUMENT IS AN OFFENCE UNDER THE OFFICIAL SECRETS ACTS OF 1911 1989. (When released to persons outside Government service, this document is issued on a personal basis. The recipient to whom it is entrusted in confidence, within the provisions of the Official Secrets Acts 1911 1989, is personally responsible for its safe custody and for seeing that its contents are disclosed only to authorised persons.)~~

~~© CROWN COPYRIGHT RESERVED~~

AMENDMENT RECORD

Amdt No	Incorporated By (Signature)	Date
1		
2		
3		
4		
5		
6		
7		
8		
9		
10		
11		
12		
13		
14		
15		
16		
17		
18		
19		
20		
21		
22		
23		
24		
25		
26		
27		
28		
29		
30		
31		

Amdt No	Incorporated By (Signature)	Date
32		
33		
34		
35		
36		
37		
38		
39		
40		
41		
42		
43		
44		
45		
46		
47		
48		
49		
50		
51		
52		
53		
54		
55		
56		
57		
58		
59		
60		
61		
62		

CONTENTS

	Page
PRELIMINARY MATERIAL	
Front cover (title page)	(i)
Conditions of release	(ii)
Amendment record sheet	(iii)/(iv)
Contents (this list)	(v)
PREFACE	(vi)
Introduction	(vi)
Related and associated publications	(vii)
Related publications	(vii)
Associated publications	(viii)
Abbreviations	()
Warnings	()
Cautions	()
Comment on AESP	Final leaf

Para

- 1 INSTRUCTIONS FOR USE
- 1 General
- 2 Fuel tank filling (WARNINGS)
- 3 Lighting procedure
- 4 Lighting with pre-heating paste (WARNINGS)
- 5 Lighting with fuel and cloth (WARNING)
- 6 Extinguishing the stove
- 7 Cleaning the burner jet
- FAILURE DIAGNOSIS
- 8 General
- REPAIR INSTRUCTIONS
- 10 General (WARNINGS)

Table	Page
1 Failure diagnosis	4

Fig

1 Stove, multiple fuel burner No 12	2
---	---

PREFACE

SPONSOR: [REDACTED]

INTRODUCTION

1 Any comments by service users on this publication should be forwarded through the channels prescribed in Army Equipment Support Publication (AESP) 0100-P-011-013. An AESP Form 10 is provided at the end of this publication; it should be photocopied and used for forwarding comments on this AESP.

2 AESPs are issued under UK MOD authority and where AESPs specify action to be taken, the AESP will of itself be sufficient authority for such action and also for the demanding of the necessary stores, subject to the provisions of Para 3 below.

3 The subject matter of this publication may be affected by Defence Instructions and Notices (DINs), Standing Operating Procedures (SOPs) or by local regulations. When any such Instruction, Order or Regulation contradicts any portion of this publication it is to be taken as the overriding authority.

RELATED AND ASSOCIATED PUBLICATIONS

Related publications

4 The octad for the subject equipment consists of all the categories shown in Table 1. All references are prefixed with the first eight digits of this publication. The availability of the publications can be checked by reference to the relevant Group Index in AESP 0100-A-001-013.

TABLE 1 RELATED PUBLICATIONS

Category/Sub-Category		Information Level				
		1 User/Operator	2 Unit Maintenance	3 Field Maintenance	4 Base Maintenance	
1	0	Purpose and Planning Information	*	*	*	*
	1	Equipment Support Policy Directives	111	111	111	*
2	0	Operating Information	201	201	201	*
	1	Aide Memoire	*	*	*	*
	2	Training Aids	*	*	*	*
3		Technical Description	201	201	201	*
4	1	Installation Instructions		*	*	*
	2	Preparation for Special Environments		*	*	*
5	1	Failure Diagnosis	201	201	201	*
	2	Maintenance Instructions	201	201	201	*
	3	Inspection Standards	*	*	*	*
	4	Calibration Procedures	*	*	*	*
6		Maintenance Schedules		*	*	*
7	1	Illustrated Parts Catalogues	711	711	711	*
	2	Commercial Parts Lists	*	*	*	*
	3	Complete Equipment Schedule, Production	*	*	*	*
	4	Complete Equipment Schedule, Service Edition (Simple Equipment)	741	*	*	*
	5	Complete Equipment Schedule, Service Edition (Complex Equipment)	*	*	*	*
8	1	Modification Instructions	*	*	*	*
	2	General Instructions, Special Technical Instructions and Servicing Instructions	*	*	*	*
	3	Service Engineered Modification Instructions (RAF only)	*	*	*	*

* Category/Sub-category not published.

Associated publications

5 There are no associated publications applicable to this equipment

EQUIPMENT IDENTITY

6 This publication covers the following:

- 6.1 Contract number: CPG 51 16345
- 6.2 Equipment title: Stove, Multiple Fuel Burner No. 12
- 6.3 NATO Stock Number: J2/7310-99-252-7439
- 6.4 Asset code: N/A

ABBREVIATIONS

7 The following abbreviations are used in this AESP octad.

<u>Abbreviation</u>	<u>Nomenclature</u>
AESP	Army Equipment Support Publication
BFI IPT	Battlefield Infrastructure IPT
CES	Complete Equipment Schedule
COSA	Catalogue of Ordnance Stores and Ammunition
CSS	Combat Support Systems
CIWG	Capability Integration Working Group
DAS	Defence Accommodation Stores
DEC	Director of Equipment Capability
DLO	Defence Logistics Organisation
DPA	Defence Procurement Agency
EFR	Equipment Failure Report
ELS	Expeditionary Logistic Support
ESM	Equipment Support Manager
ESPD	Equipment Support Policy Directive
ESS IPT	Engineer Systems Support IPT
Fd Eqpt	Field Equipment
FLC	Front Line Commands
FRACAS	Failure Reporting and Corrective Action System
GS	General Service
IOC	Initial Operating Capability
IPT	Integrated Project Team
ISD	In-Service Date
JSP	Joint Service Publication
LFG	Lightweight
LSD	Logistic Support Date
MEI	Mandatory Equipment Inspections
N/A	Not applicable

OEM	Original Equipment Manufacture
OFCS	Operational Field Catering System
PDS	Post Design Services
REME	Royal Electrical Mechanical Engineer
RLC	Royal Logistic Corp
ST&TE	Special Tools and Test Equipment

WARNINGS AND CAUTIONS

HAZARDOUS SUBSTANCES

8 Before using any hazardous substances or material, the user must be conversant with the safety precautions and first aid instructions:

- 8.1 on the label of the container it was supplied in;
- 8.2 on the material Safety Data Sheet;
- 8.3 in local Safety Orders and Regulations.

WARNING

9 The following WARNINGS are applicable to this equipment.

- (1) **FUEL AND FUEL VAPOURS ARE A FIRE HAZARD. NO SMOKING OR NAKED FLAMES ARE TO BE ALLOWED WITHIN 15 M OF THE STOVE DURING FILLING OPERATIONS.**
- (2) **PERSONNEL INJURY. FUEL AND FUEL VAPOURS ARE A FIRE HAZARD. NEVER ATTEMPT TO REFILL THE FUEL TANK WHEN THE STOVE IS WARM.**
- (3) **PERSONNEL INJURY. ALWAYS CARRY OUT REFILLING TASKS IN A WELL VENTILATED AREA.**
- (4) **PERSONNEL INJURY. THE PRE-HEATING PASTE MUST NOT BE APPLIED TO THE BURNER HEAD WHEN THE BURNER HEAD IS HOT. THE PRE-HEATING PASTE MUST NOT BE STORED IN THE COOKER CASE WHILST THE COOKER IS IN USE.**
- (5) **PERSONNEL INJURY. THE STOVE SHOULD ALWAYS BE USED IN A WELL VENTILATED AREA.**
- (6) **PERSONNEL INJURY. IF A FAULT DEVELOPS DURING USE ENSURE THE PROCEDURES FOR HANDLING HOT COOKING UTENSILS AND EQUIPMENT ARE OBSERVED.**
- (7) **PERSONNEL INJURY. THE STOVE CAN USE ONLY THE FOLLOWING FUELS:**
 - (7.1) **COMMERCIAL DIESEL, OR NATO:**
 - (7.2) **F54-DIESEL (7.3) F58 KERO 1 B**
 - (7.4) **F34 AVTUR (FS11)**
 - (7.5) **F35 AVTUR (7.6) F44 AVCAT**
- (8) **LIQUID FUELS ARE FLAMMABLE. SMOKING OR USE OF A NAKED FLAME IS NOT PERMITTED IN THE VICINITY OF ANY REPAIR. THE FUEL TANK IS TO BE DEPRESSURISED BEFORE STARTING ANY REPAIR TASK.**
- (9) **PERSONNEL INJURY. EXHAUST FUMES AND SPILLAGE ARE TO BE AVOIDED. ENSURE GOOD VENTILATION IN THE WORKING AREA AND ANY SPILLAGE IS REMOVED.**
- (10) **PERSONNEL INJURY. THE FOLLOWING FUELS ARE HARMFUL:**
 - (10.1) **COMMERCIAL DIESEL, OR NATO:**
 - (10.2) **F54-DIESEL**

(10.3) F58 KERO 1 B

(10.4) F34 AVTUR (FS11)

(10.5) F35 AVTUR

(10.6) F44 AVCAT

(11) DISPOSAL OF LIQUID FUELS AND CONTAMINATED MATERIAL MUST BE IN ACCORDANCE WITH LOCAL REGULATIONS OR JSP 317.

CAUTIONS

10 There are no CAUTIONS applicable to this equipment.

INSTRUCTIONS FOR USE

GENERAL

- 1 The following operating instructions are applicable to the Stove, Multiple Fuel Burner No. 12.

FUEL TANK FILLING

WARNINGS

(1) FUEL AND FUEL VAPOURS ARE A FIRE HAZARD. NO SMOKING OR NAKED FLAMES ARE TO BE ALLOWED WITHIN 15 M OF THE STOVE DURING FILLING OPERATIONS.

(2) PERSONNEL INJURY. FUEL AND FUEL VAPOURS ARE A FIRE HAZARD. NEVER ATTEMPT TO REFILL THE FUEL TANK WHEN THE STOVE IS WARM.

(3) PERSONNEL INJURY. ALWAYS CARRY OUT REFILLING TASKS IN A WELL VENTILATED AREA.

- 2 To fill the fuel tank (Fig 1 (5)) proceed as follows:

2.1 Close the control valve (3) fully, by turning it clockwise, using the operating tool (2).

2.2 Remove filler cap (6) on fuel tank, fill the tank with clean fuel and replace filler cap.

2.3 Remove any spilt fuel.

LIGHTING PROCEDURE

- 3 The stove may be lit either with pre-heating paste or with fuel and cloth.

Lighting with pre-heating paste

WARNINGS

(1) PERSONNEL INJURY. THE PRE-HEATING PASTE MUST NOT BE APPLIED TO THE BURNER HEAD WHEN THE BURNER HEAD IS HOT. THE PRE-HEATING PASTE MUST NOT BE STORED IN THE COOKER CASE WHILST THE COOKER IS IN USE.

(2) PERSONNEL INJURY. THE STOVE SHOULD ALWAYS BE USED IN A WELL VENTILATED AREA.

- 4 To light the stove using pre-heating paste proceed as follows:

4.1 Fully close the control valve.

4.2 Operate the fuel tank pump handle (4) 20 times.

4.3 Fill the pre-heater cup (8) with paste.

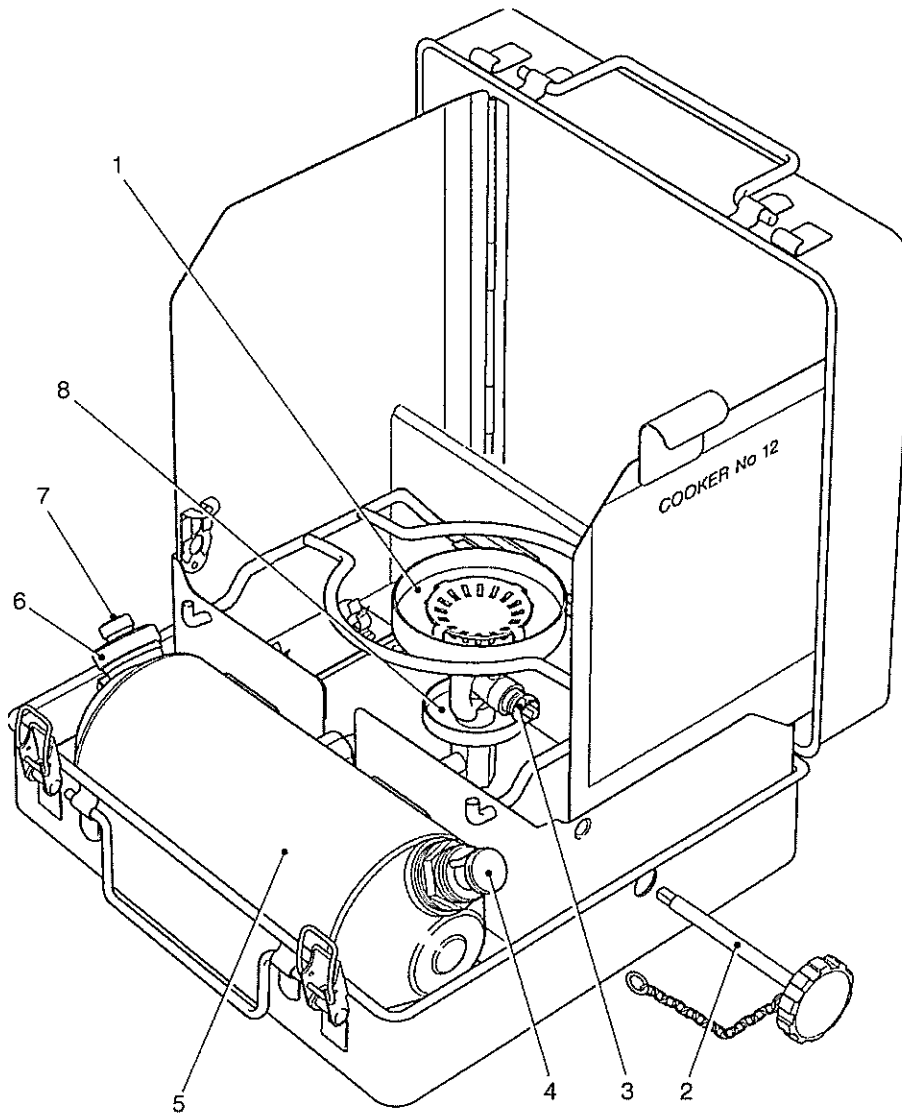
4.4 Ignite the paste.

4.5 When the paste is almost completely consumed slowly open the control valve until a regular blue flame is produced.

4.6 After 5 minutes fully open the control valve.

NOTE

If the flame starts to die out, or is erratic, increase pressure in the fuel tank by operating the pump until a satisfactory flame is achieved.



- | | | | |
|---------------|-------------------|-------------------------|------------------|
| 1 Burner head | 2 Operating tool | 3 Control valve | 4 Pump handle |
| 5 Fuel tank | 6 Fuel filler cap | 7 Pressure relief valve | 8 Pre-heater cup |

Fig 1 Stove, multiple fuel burner No 12

Lighting with fuel and cloth

WARNING

PERSONNEL INJURY. THE STOVE SHOULD ALWAYS BE USED IN A WELL VENTILATED AREA.

- 5 To light the stove with fuel and cloth proceed as follows:
 - 5.1 Fully close the control valve, using the operating tool.
 - 5.2 Operate the fuel tank pump handle (4) 20 times.
 - 5.3 Turn the control valve fully anti-clockwise to the CLEAN position, then open the valve half way to allow fuel to fill the pre-heater cup to the 3/4 point.
 - 5.4 Fully close the control valve (3).
 - 5.5 Place a small piece of cloth, or similar combustible material, into the pre-heater cup.
 - 5.6 Leave the material for 15 seconds to soak up the fuel.
 - 5.7 Ignite the material.
 - 5.8 When the material is almost completely consumed slowly open the control valve until a regular blue flame is produced.
 - 5.9 After 5 minutes fully open the control valve (3).

NOTE

If the flame starts to die out, or is erratic, increase pressure in the fuel tank by operating the pump until a satisfactory flame is achieved.

EXTINGUISHING THE STOVE

- 6 To extinguish the stove proceed as follows:
 - 6.1 Fully close the control valve (3), using the operating tool (2).
 - 6.2 Allow the burner head (Fig 1 (1)) to cool down.
 - 6.3 Release pressure in the fuel tank by opening the pressure relief valve (7) on the filler cap.
 - 6.4 Once pressure is released close the pressure relief valve (7).

CLEANING THE BURNER JET

- 7 To clean the burner jet proceed as follows:
 - 7.1 Rotate the control valve to the CLEAN position, by turning it fully anti-clockwise, using the operating tool (2).
 - 7.2 Return the control valve to the closed position by rotating it fully clockwise.
 - 7.3 Repeat sub-Paras 7.1 and 7.2 several times.

FAILURE DIAGNOSIS**GENERAL**

- 8 The following table identifies the failure diagnosis procedures applicable to the equipment.
- 9 Under no circumstances should unqualified personnel attempt any repairs to the equipment.

TABLE 1 FAILURE DIAGNOSIS**WARNING**

PERSONNEL INJURY. IF A FAULT DEVELOPS DURING USE ENSURE THE PROCEDURES FOR HANDLING HOT COOKING UTENSILS AND EQUIPMENT ARE OBSERVED.

Serial (1)	Fault (2)	Possible cause (3)	Remedy (4)
1	Fuel system fails to maintain pressure	1.1 Fuel tank filler cap washer not seating 1.2 Air pressure release valve open 1.3 Leak at tank/pipe connection	1.1 Inspect washer for damage and renew if defective 1.2 Close valve and pressurise if necessary 1.3 Tighten union and if this fails, report as a fault
2	Burner fails to ignite	2.1 Incorrect lighting procedure 2.2 Insufficient pre-heating 2.3 Control valve jet blocked 2.4 Control valve needle damaged	2.1 Check and repeat Procedure 2.2 Extend period of Heating 2.3 Open and close control valve several times 2.4 Report as a fault
3	Burner flame poor	3.1 Tank pressure low 3.2 Control valve jet blocked 3.3 Leak at tank/pipe connection	3.1 Check and correct pressure 3.2 Open and close control valve several times 3.3 Tighten union and if this fails, report as a fault
4	Burner flame erratic	4.1 Fuel low	4.1 Check and refill tank
5	Burner flame difficult to control	5.1 Excessive pressure in fuel tank 5.2 Damaged control valve	5.1 Check and regulate Pressure 5.2 Report as a fault

REPAIR INSTRUCTIONS

GENERAL

WARNINGS

(1) **PERSONNEL INJURY. THE STOVE CAN USE ONLY THE FOLLOWING FUELS:**

(1.1) **COMMERCIAL DIESO, OR NATO**

(1.2) **F54-DIESO**

(1.3) **F58 KERO 1 B**

(1.4) **F34 AVTUR (FS11)**

(1.5) **F35 AVTUR**

(1.6) **F44 AVCAT**

(2) **LIQUID FUELS ARE FLAMMABLE. SMOKING OR USE OF A NAKED FLAME IS NOT PERMITTED IN THE VICINITY OF ANY REPAIR. THE FUEL TANK IS TO BE DEPRESSURISED BEFORE STARTING ANY REPAIR TASK.**

(3) **PERSONNEL INJURY. EXHAUST FUMES AND SPILLAGE ARE TO BE AVOIDED. ENSURE GOOD VENTILATION IN THE WORKING AREA AND ANY SPILLAGE IS REMOVED.**

(4) **PERSONNEL INJURY. THE FOLLOWING FUELS ARE HARMFUL:**

(4.1) **COMMERCIAL DIESO, OR NATO:**

(4.2) **F54-DIESO**

(4.3) **F58 KERO 1 B**

(4.4) **F34 AVTUR (FS11)**

(4.5) **F35 AVTUR**

(4.6) **F44 AVCAT**

(5) **DISPOSAL OF LIQUID FUELS AND CONTAMINATED MATERIAL MUST BE IN ACCORDANCE WITH LOCAL REGULATIONS OR JSP 317.**

10 This section covers the repair instructions that are permitted on the equipment.

11 The tasks detailed below must only be carried out by a qualified tradesman. Under no circumstances should unqualified personnel attempt to repair the equipment.

12 Maintenance of the equipment is by repair and replacement and is permitted only to the items listed below:

12.1 Repairs to the grill and case assembly.

12.2 Replacement of the burner, tank and pump assemblies

13 Repairs on the grill and case are to be the minimum necessary to maintain serviceability. These repairs are limited to spot welding, removal of dents and replacement of individual components.

14 Repairs and replacement tasks are to be carried out using basic engineering principles and practices. If required reference should be made to 7310-B-100-711 for component identification.

COMMENT(S) ON AESP*

To: [REDACTED]
 MoD, Abbey Wood
 Bristol
 B34 8JH

From:

Senders Reference	BIN Number	Date
AESP* Title:		
Chapter(s)/Instruction	Page(s)/Paragraph(s)	
If you require more space please use the reverse of this form or a separate piece of paper.		
Comment(s):		

Signed: Telephone No:
 Name (Capitals): Rank/Grade: Date:
 ✂

FOR AESP* SPONSOR USE ONLY

To: From:

Thank you for commenting on AESP*

Your reference: Date:

Action is being taken to:	Tick		Tick
Issue a revised/amended AESP*		Under investigation	
Incorporate comment(s) in future amendments		No action required	
Remarks			

Signed: Telephone No:
 Name (Capitals): Rank/Grade: Date:


* AESP or EMER



STOVE, MULTIPLE FUEL BURNER No. 12

ILLUSTRATED PARTS CATALOGUE

Sponsored for use in the
UNITED KINGDOM MINISTRY OF DEFENCE
AND ARMED FORCES
by


DE&S Abbey Wood
Bristol
BS34 8JH

CONDITIONS OF RELEASE

~~This information is released by the UK government for Defence purposes only.~~

~~This information must be afforded the same degree of protection as that afforded to information of an equivalent classification originated by the recipient Government or as required by the recipient Government's National Security regulations.~~

~~This information may be disclosed only within the Defence Department of the recipient Government, except as otherwise authorized by the Ministry of Defence (Army).~~

This information may be subject to privately owned rights.

~~THIS DOCUMENT IS THE PROPERTY OF HER BRITANNIC MAJESTY'S GOVERNMENT, and is issued for the information of such persons only as need to know its contents in the course of their official duties. Any person finding this document should hand it in to a British forces unit or to a police station for its safe return to the Ministry of Defence, (DDef-Sy), Main Building, Whitehall London, SW1A 2HB, with particulars of how and where found. THE UNAUTHORIZED RETENTION OR DESTRUCTION OF THIS DOCUMENT IS AN OFFENCE UNDER THE OFFICIAL SECRETS ACTS OF 1911 1989. (When released to persons outside Government service, this document is issued on a personal basis. The recipient to whom it is entrusted in confidence, within the provisions of the Official Secrets Acts 1911 1989, is personally responsible for its safe custody and for seeing that its contents are disclosed only to authorised persons.)~~

©-CROWN-COPYRIGHT-RESERVED

AMENDMENT RECORD

Amdt No	Incorporated By (Signature)	Date
1		
2		
3		
4		
5		
6		
7		
8		
9		
10		
11		
12		
13		
14		
15		
16		
17		
18		
19		
20		
21		
22		
23		
24		
25		
26		
27		
28		
29		
30		
31		

Amdt No	Incorporated By (Signature)	Date
32		
33		
34		
35		
36		
37		
38		
39		
40		
41		
42		
43		
44		
45		
46		
47		
48		
49		
50		
51		
52		
53		
54		
55		
56		
57		
58		
59		
60		
61		
62		

CONTENTS

	Page
PRELIMINARY MATERIAL	
Front cover (title page)	(i)
Conditions of release	(ii)
Amendment record sheet	(iii)/(iv)
Contents (this list)	(v)
PREFACE	(vi)
Introduction	(vi)
Related and associated publications	(vii)
Related publications	(vii)
Associated publications	(viii)
Abbreviations	(ix)
Warnings	(x)
Cautions	(xi)
Comment on AESP	Final leaf

ILLUSTRATED PARTS LIST INFORMATION

Chapter

- 1 General information
- 2 Parts list
- 2-1 Stove, multiple fuel burner No. 12
- 2-2 Case assembly
- 2-3 Tank, fuel and burner assembly
- 3 Indexes
- 3-1 Index of NATO stock numbers to chapter, figure and item numbers
- 3-2 Index of manufacturer's part/drawing numbers to chapter, figure and item number
- 3-3 Not issued
- 3-4 Not issued

PREFACE**SPONSOR:** [REDACTED]**INTRODUCTION**

1 Service users should forward any comments on this publication through the channels prescribed in AESP 0100-P-011-013. An AESP Form 10 is provided at the end of this publication; it should be photocopied and used for forwarding comments on this AESP.

2 The subject matter of this publication may be affected by Defence Council Instructions (DCIs), Standing Operating Procedures (SOPs) or by local regulations. When any such Instruction, Order or regulation contradicts any portion of this publication it is to be taken as the overriding authority.

3 The Illustrated Parts Catalogue (IPC) is designed as an aid to the identification of component parts or assemblies of parts of the equipment, and to provide information necessary for demanding spares.

4 This IPC may list some or all of the parts comprising the equipment concerned, but only those parts assigned a NATO Stock Number, Service Catalogue or Reference Number will normally be available as spares. Should there be a requirement for an item not assigned a number, demands may be submitted quoting the AESP, Item Number, Figure Reference and Item Name. Where a manufacturer's reference is known, this should also be quoted.

Hazardous material

5 This catalogue may list some items which are hazardous materials within the terms of the HSW Act (1974) and current COSHH Regulations. Refer to Safety Data Information published in JSP(F)395, Material Regulations for the Army Volume 9 Pamphlet No. 1 or AP100B-10.

6 This catalogue is a guide to the selection and ordering of spare parts. It should not be used as a maintenance manual as no specific to component safety warnings are included in the catalogue.

Quantity

7 The figure in the 'Number off' column specifies the quantity for the unit (or assembly, sub-assembly etc); it does not indicate the quantity to be demanded.

Demands

8 When demanding Spare Parts the following particulars must be quoted:

- 8.1 Management Code (Man Code).
- 8.2 NATO Stock Number.
- 8.3 Item Name.
- 8.4 Name of Equipment for which the part is required.
- 8.5 Manufacturer's reference, if known.

Annotations

9 The following notations are used in this publication:

- 9.1 AR When appearing in the 'Number off' column indicates that the quantity is 'as required'.
- 9.2 NI (Not Illustrated) when appearing with a number in the 'Fig Item' column indicates that the item is not illustrated.
- 9.3 NP (Non-provisioned) – when appearing in the 'NATO Stock Number' column indicates that the item may be illustrated, but not available from stock as a replacement item.

9.4 Ref In the 'Number off' column indicates that the item is listed for reference purposes only.

RELATED AND ASSOCIATED PUBLICATIONS

Related publications

10 The octad for the subject equipment consists of all the categories shown in Table 1. All references are prefixed with the first eight digits of this publication. The availability of the publications can be checked by reference to the relevant Group Index in AESP 0100-A-001-013.

TABLE 1 RELATED PUBLICATIONS

Category/Sub-Category		Information Level				
		1 User/Operator	2 Unit Maintenance	3 Field Maintenance	4 Base Maintenance	
1	0	Purpose and Planning Information	*	*	*	*
	1	Equipment Support Policy Directives	*	*	*	*
2	0	Operating Information	201	201	201	*
	1	Aide Memoire	*	*	*	*
	2	Training Aids	*	*	*	*
3		Technical Description	201	201	201	*
4	1	Installation Instructions	*	*	*	*
	2	Preparation for Special Environments	*	*	*	*
5	1	Failure Diagnosis	201	201	201	*
	2	Maintenance Instructions	201	201	201	*
	3	Inspection Standards	*	*	*	*
	4	Calibration Procedures	*	*	*	*
6		Maintenance Schedules	*	*	*	*
7	1	Illustrated Parts Catalogues	711	711	711	*
	2	Commercial Parts Lists	*	*	*	*
	3	Complete Equipment Schedule, Production	*	*	*	*
	4	Complete Equipment Schedule, Service Edition (Simple Equipment)	741	*	*	*
	5	Complete Equipment Schedule, Service Edition (Complex Equipment)	*	*	*	*
8	1	Modification Instructions	*	*	*	*
	2	General Instructions, Special Technical Instructions and Servicing Instructions	*	*	*	*
	3	Service Engineered Modification Instructions (RAF only)	*	*	*	*

* Category/Sub-category not published.

Associated publications

11 There are no publications associated with this AESP.

ABBREVIATIONS

12 The following abbreviations are used throughout this IPC.

a/f	across floats
BSP	British Standard Pipe Thread
BSP F	British Standard Pipe, Fastening Thread
Cd	Cadmium
contd	continued
csk	countersunk
Cu	Copper
c/w	complete with
dia	diameter
galv	galvanised
h	height (high)
hd	head
hex	hexagon (al)
id	inside diameter
in.	inch
lg	length (long)
LH	Left Hand
max	maximum
mm	millimetre
No.	Number
o/a	over-all
od	outside diameter
RH	Right Hand
thd	thread (ed)
thk	thickness
w	width
Zn	Zinc

Amendments

13 Amendments to the IPC will be published as and when necessary. They will be numbered consecutively, and the AMENDMENT RECORD SHEET is to be completed for each Amendment Instruction Sheet embodied.

14 New or amended material will be highlighted by sidelining to show the extent of the amendment.

Modification records

15 Modification numbers indicating sub-chapter details applicable to the IPC are listed on the 'RECORD OF MODIFICATION' page in Chap 2. Further detail is then identified on the 'RECORD OF MODIFICATION' page of the appropriate level sub-chapter.

Indentations

16 Items are listed in a logical assembly/disassembly order and are indented by the 'Dot System' in which each 'dot' depicts the relationship of the item to the next higher assembly:

MAIN ASSEMBLY

Attaching parts for main assembly

. FIRST LEVEL OF BREAKDOWN (Sub-assembly or detailed part of main assembly) .Attaching parts for first level

.. SECOND LEVEL OF BREAKDOWN (Sub-sub-assembly or detailed part of Sub-assembly)

... Attaching parts for second level

... THIRD LEVEL OF BREAKDOWN (Sub-sub-sub-assembly or detailed part of Sub-sub-assy)

... Attaching parts for third level

NOTES

(1) Attaching parts for the Main Assembly are listed at the end of the text of the Main Assembly.

(2) NATO Stock Numbers (NSNs) quoted in this IPC will supersede any number that may have been allotted previously.

EQUIPMENT IDENTITY

17 This publication covers the following

Equipment title:	Cooking Outfit No. 4 Mk 2 Trailer Mounted
Contract number:	CPG51/6345
NATO stock number:	J2/7360-99-130-5642
Asset code:	N/A

WARNINGS

HAZARDOUS SUBSTANCES

18 Before using any hazardous substances or material, the user must be conversant with the safety precautions and first aid instructions:

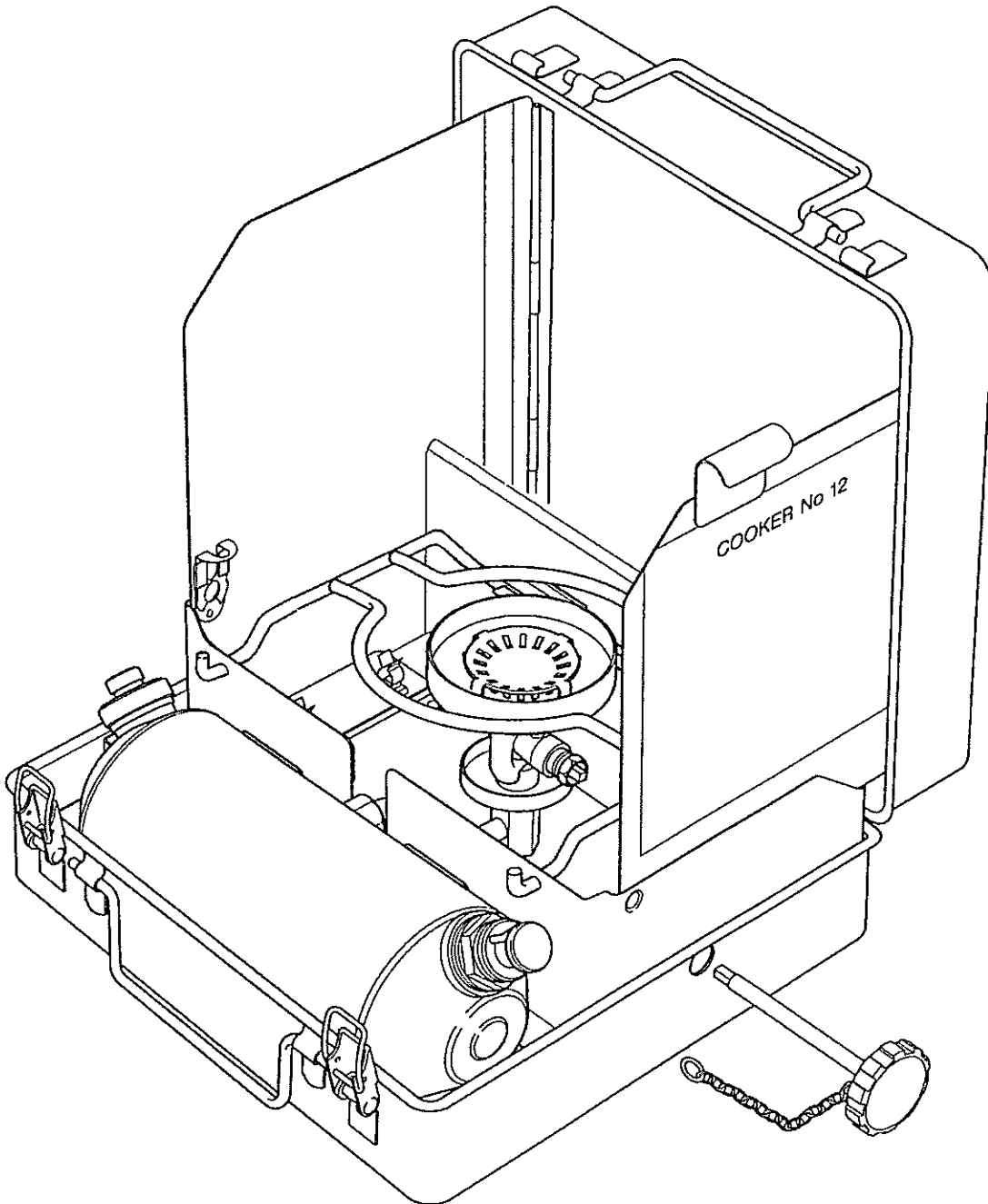
- 18.1 on the label of the container it was supplied in;
- 18.2 on the material Safety Data Sheet;
- 18.3 in local Safety Orders and Regulations.

CHAPTER 1

GENERAL INFORMATION

CONTENTS

	Page
Frontispiece.....	2
Family tree (chapter plan)	3/4
Index of related IPCs and sub-chapters.....	5
Index of main assemblies and sub-assemblies to related IPCs or part/drawing numbers and chapter	6
Index of illustrations to chapter and figure numbers	7/8



Stove, multiple fuel burner No. 12

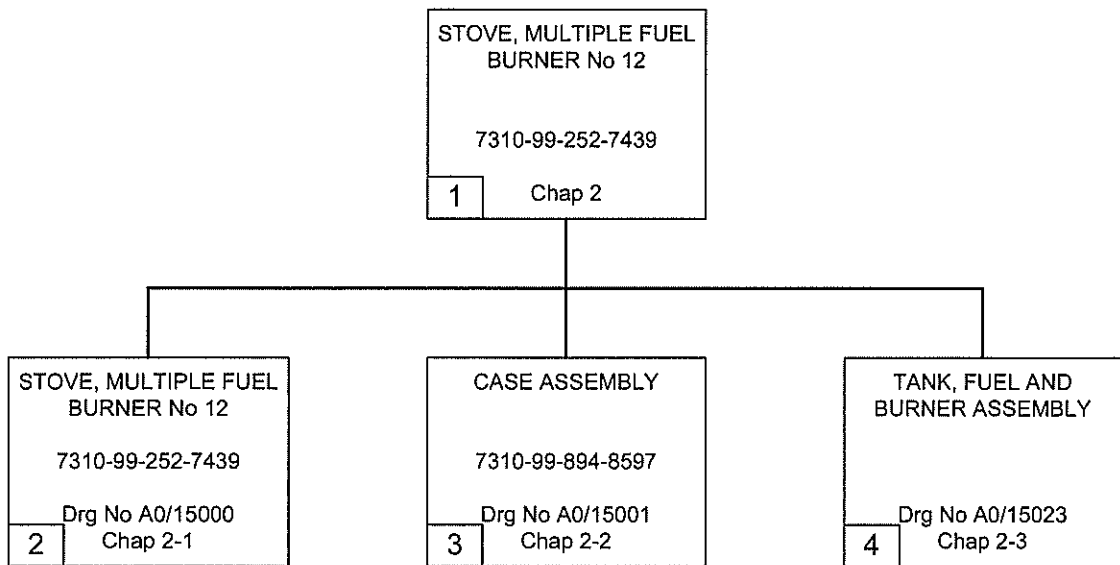


Fig 1 Family tree (Chapter plan)

INDEX OF RELATED IPCS AND SUB-CHAPTERS

Chap Plan No	Chap 2 Sub-chap No	Item Name and (if applicable) Related IPC ref No	Part No/ Drawing No.	DMC Army	NATO Stock Number
1	2	STOVE MULTIPLE FUEL BURNER No. 12		J2	7310-99-252-7439
2	2-1	STOVE MULTIPLE FUEL BURNER No. 12	A0/15000	J2	7310-99-252-7439
3	2-2	CASE ASSEMBLY	A0/15001	J2	7310-99-894-8597
4	2-3	TANK FUEL AND BURNER ASSEMBLY	A1 /15023		

**INDEX OF MAIN ASSEMBLIES AND SUB-ASSEMBLIES
TO
RELATED IPCS OR PART/DRAWING NUMBERS AND CHAPTER**

Item	Part No	Chapter
BASE ASSEMBLY	A0/15003	2-2
BURNER ASSEMBLY	A2/15035	2-3
CAP, FILLER	A3/15030	2-3
CASE ASSEMBLY	A0/15001	2-2
LID ASSEMBLY	A0/15002	2-2
PUMP ASSEMBLY	A3/15165	2-3
SIDE ASSEMBLY	A0/15018	2-2
STOVE MULTIPLE FUEL BURNER No. 12	A0/15000	2-1
TANK FUEL	A1/15024	2-3
TOOL, OPERATING ASSEMBLY	A3/15049	2

**INDEX OF ILLUSTRATIONS
TO
CHAPTER AND FIGURE NUMBERS**

Item	Chapter	Figure
Burner assembly	2-3	3
Case assembly	2-2	1
Control valve assembly	2-3	4
Lid assembly	2-2	3
Pump assembly	2-3	5
Side and base assemblies	2-2	2
Stove, multiple fuel burner No. 12	2-1	1
Tank fuel, portable stove	2-3	2
Tank, fuel and burner assembly	2-3	1

CHAPTER 2

PARTS LIST

CONTENTS

2	Parts list
2-1	Stove, multiple fuel burner No. 12
2-2	Case assembly
2-3	Tank, fuel and burner assembly

CHAPTER 2-1

STOVE, MULTIPLE FUEL BURNER NO. 12

Fig		Page
1	Stove, multiple fuel burner, No. 12	2

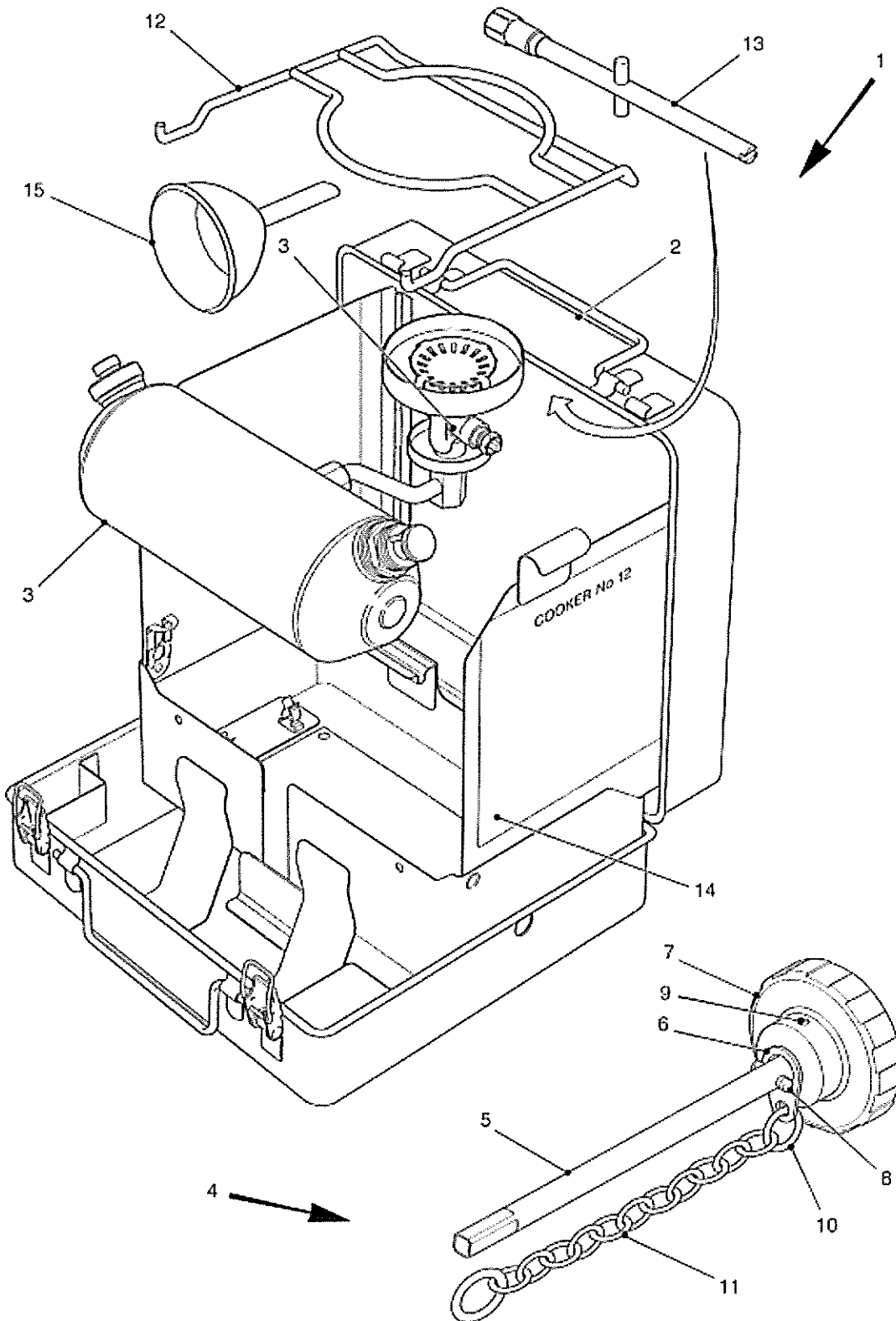


Fig 1 Stove, multiple fuel burner, No. 12

PARTS LIST

Fig-Item	DMC Army	NATO Stock Number	Item Name and Description	Part No/ Drawing No.	No. off	Annotation
1	J2	7310-99-252-7439	STOVE, MULTIPLE FUEL BURNER, NO. 12	A0/15000	1	(K4771)
2	J2	7310-99-894-8597	. CASE, ASSEMBLY (refer to Chap 2-2)	A0/15001	REF	(K4771)
3		NP	. TANK	A1/15023	REF	(K4771)
4	J2	7310-99-051-8880	. TOOL, OPERATING ASSEMBLY (refer to Chap 2-3)	A3/15049	1	(K4771)
5		NP	. . ROD	A3/15050	1	(K4771)
6		NP	. . PLATE, RETAINING	A4/15051	1	(K4771)
7		NP	. . HANDWHEEL	A3/15049 ITEM 3	1	(K4771)
8		NP	. . PIN, SPRING	A3/15049 ITEM 4	1	(K4771)
9		NP	. . PIN, SPRING	A3/15049 ITEM 5	1	(K4771)
10		NP	. . RING, SPLIT	A3/15049 ITEM6	2	(K4711)
11		NP	. . CHAIN, WELDED LINK	A3/15049 ITEM 7	1	(K4771)
12	J2	7310-99-880-8225	. GRILLE	A1/15047	1	(K4771)
13	J2	7310-99-500-2532	. TOOL, UNIVERSAL COOKER	A2/15048	1	(K4771)
14		NP	. PLATE, INSTRUCTION	A3/15052	1	(K4771)
15	J2	7310-99-125-1809	. FUNNEL	B9164	1	(K1368)

CHAPTER 2-2

CASE ASSEMBLY

Fig		Page
1	Case assembly	2
2	Side and base assemblies	4
3	Lid assembly	6

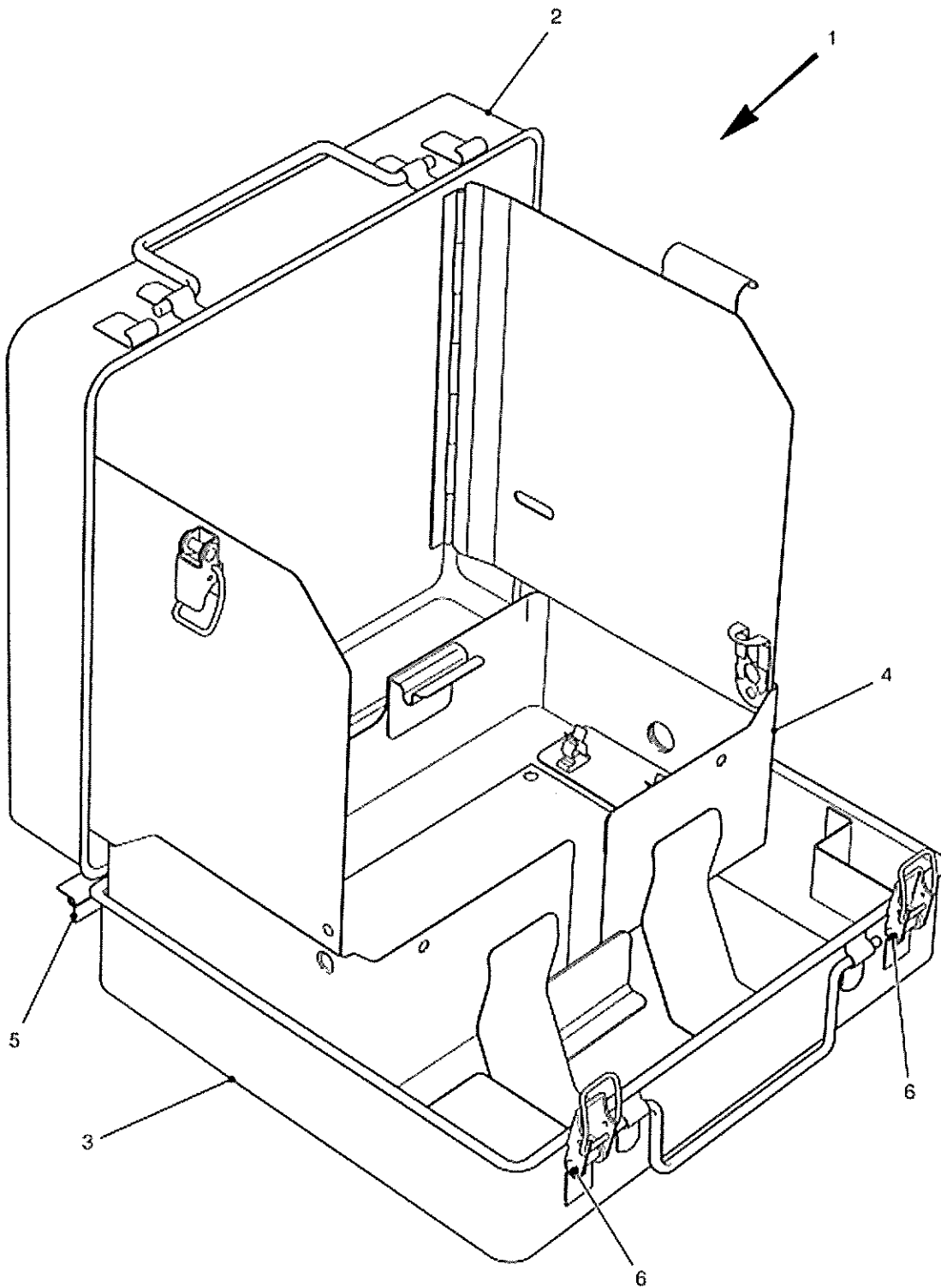


Fig 1 Case assembly

PARTS LIST

Fig-Item	DMC Army	NATO Stock Number	Item Name and Description	Part No/ Drawing No.	No. off	Annotation
1	J2	7310-99-894-8597	CASE ASSEMBLY	A0/15001	1	(U5757)
2		NP	. LID ASSEMBLY	A0/15002	REF	(K4771)
3		NP	. BASE ASSEMBLY	A0/15013	REF	(K4771)
4		NP	. SIDE ASSEMBLY	A0/15018	REF	(K4771)
5		NP	. HINGE	A0/15001		
6		NP	. LATCH, TOGGLE	TL807B	2	(U1584)

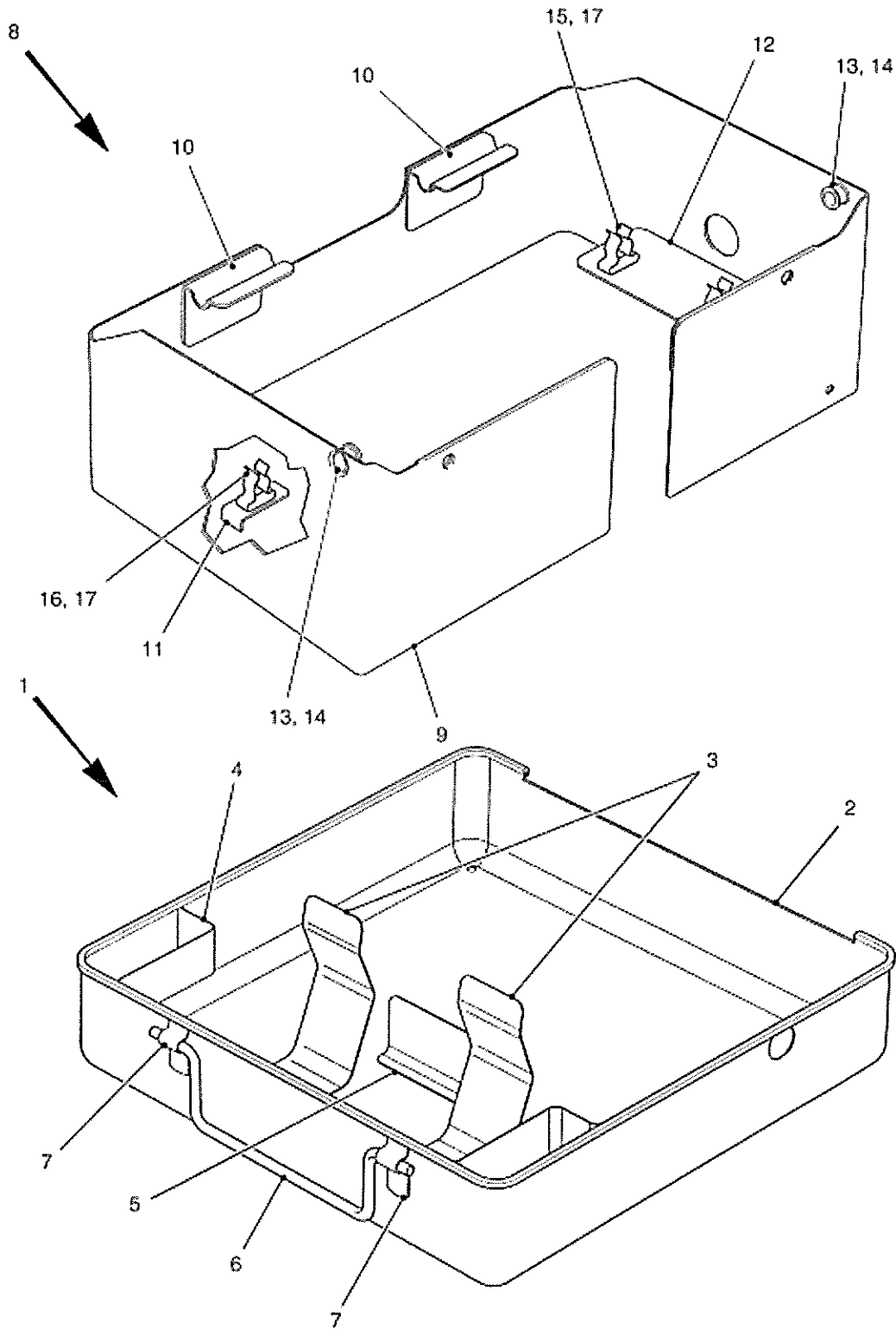


Fig 2 Side and base assemblies

PARTS LIST

Fig-Item	DMC Army	NATO Stock Number	Item Name and Description	Part No/ Drawing No.	No off	Annotation
1		NP	BASE ASSEMBLY	A0/15013	1	(K4771)
2		NP	BASE	A0/15014	1	(K4771)
3		NP	RETAINER, TANK	A2/15015	2	(K4771)
4		NP	BRACKET, TANK	A3/15016	2	(K4771)
5		NP	PLATE, LOCATING, BASE SIDE	A3/15017	1	(K4771)
6		NP	HANDLE	A3/15004	1	(K4771)
7		NP	PIVOT, HANDLE	A4/15005	2	(K4771)
8		NP	SIDE ASSEMBLY	A0/15018	1	(K4771)
9		NP	SIDE	A1/15019	1	(K4771)
10		NP	SUPPORT GRILLE	A4/15020	2	(K4771)
11		NP	LOCATOR, FUNNEL	A3/15021	1	(K4771)
12		NP	LOCATOR, OPERATING TOOL	A3/15022	1	(K4771)
13		NP	BUSH	A4/15053	2	(K4771)
14		NP	RIVET	A0/15018 ITEM 6	2	(K4771)
15	6MT1	5340-99-942-4956	CLIP, SPRING TENSION	480-025	2	(U0683)
16	G1	5340-99-624-1078	CLIP, SPRING TENSION	31221-00140	1	(K0662)
17		NP	RIVET	A0/15018 ITEM 9	3	(K4771)

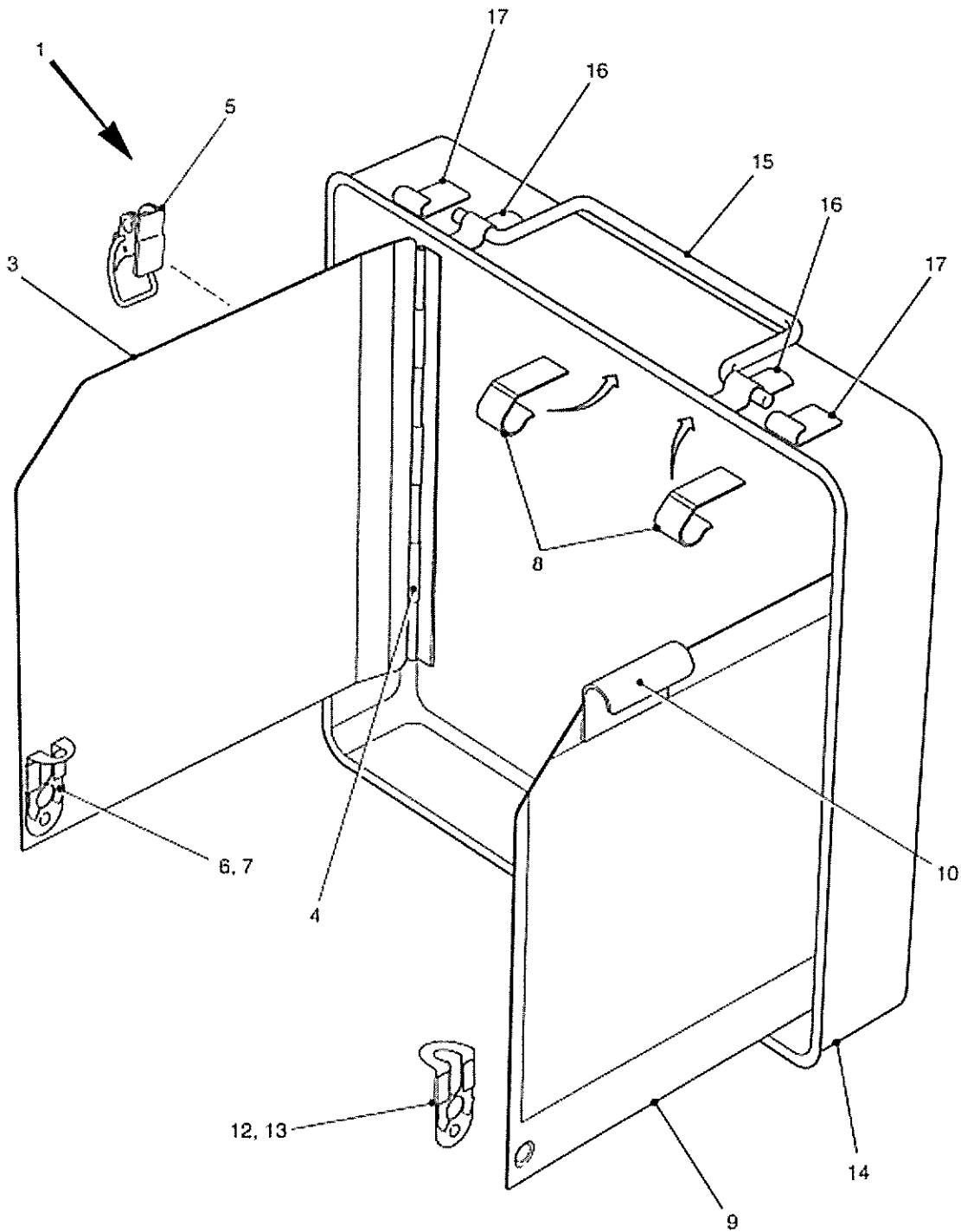


Fig 3 Lid assembly

PARTS LIST

Fig-Item	DMC Army	NATO Stock Number	Item Name and Description	Part No/ Drawing No.	No off	Annotation
1		NP	LID ASSEMBLY	A0/15002	1	(K4771)
NI 2		NP	. SHIELD ASSEMBLY	A1/15008	1	(K4771)
3		NP	. SHIELD	A1/15009	1	(K4771)
4		NP	.. HINGE	A1/15008 ITEM 2	1	(K4771)
5		NP	.. LATCH	TL807B	1	(U1584)
6	Z7	5325-99-767-0618	.. FASTENER, SNAPSLIDE	1500	1	(U1584)
7		NP	.. RIVET	A1/15008 ITEM 5	2	(K4771)
NI 8		NP	. SHIELD ASSEMBLY	A1/15010	1	(K4771)
9		NP	.. SHIELD	A1/15011	1	(K4771)
10		NP	.. HANDLE	A3/15012	1	(K4771)
11		NP	.. HINGE	A1/15008 ITEM 2	1	(K4771)
12	Z7	5325-99-767-0618	.. FASTENER, SNAPSLIDE	1500	1	(U1584)
13		NP	.. RIVET	A1/15008 ITEM 5	2	(K4771)
14		NP	. LID	A0/15003	1	(K4771)
15		NP	. HANDLE	A3/15004	1	(K4771)
16		NP	. PIVOT, HANDLE	A4/15005	2	(K4771)
17		NP	. STRIKER, TOGGLE	A4/15006	3	(K4771)
18		NP	. RETAINER	A4/15007	2	(K4771)

CHAPTER 2-3

TANK FUEL AND BURNER ASSEMBLY

Fig		Page
1	Tank, fuel and burner assembly	2
2	Tank, fuel, portable stove	4
3	Burner assembly	6
4	Control valve assembly	8
5	Pump assembly	10

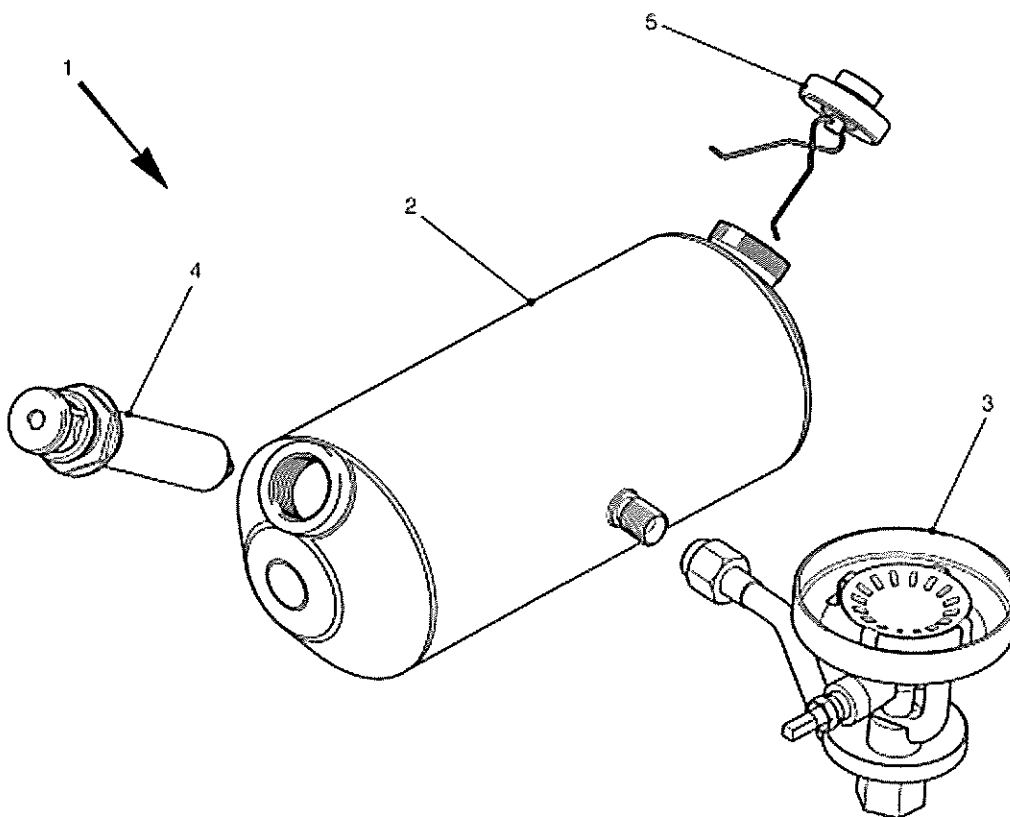


Fig 1 Tank, fuel and burner assembly

PARTS LIST

Fig-Item	DMC Army	NATO Stock Number	Item Name and Description	Part No/ Drawing No.	No off	Annotation
1		NP	TANK, FUEL AND BURNER ASSEMBLY	A1/15023	1	(K4771)
2	J2	7310-99-795-3794	. TANK, FUEL	A1/15024	REF	(K4771)
3	J2	7310-99-568-5724	. BURNER ASSEMBLY	A2/15035	REF	(K4771)
4	J2	7310-99-452-1223	. PUMP ASSEMBLY	A3/15165	REF	(K4771)
5	J2	7310-99-701-9423	. CAP FILLER ASSEMBLY	A3/15030	REF	(K4771)

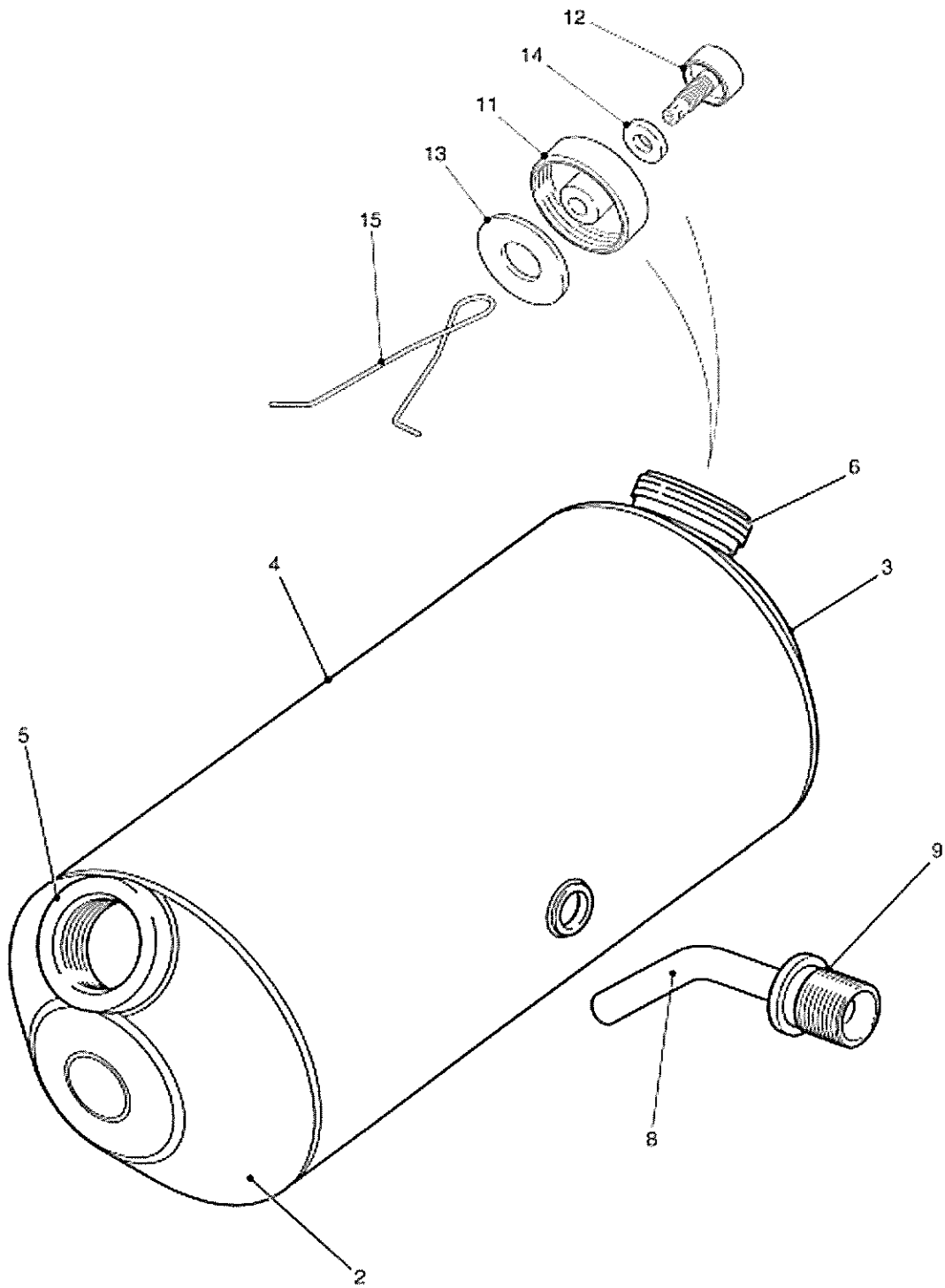


Fig 2 Tank, fuel, portable stove

PARTS LIST

Fig-Item	DMC Army	NATO Stock Number	Item Name and Description	Part No/ Drawing No.	No off	Annotation
1	J2	7310-99-765-3794	TANK, FUEL	A1/15024	1	(K4771)
2		NP	. TANK END	A2/15025	1	(K4771)
3		NP	. TANK END	A2/15026	1	(K4771)
4		NP	. TANK BODY	A2/15027	1	(K4771)
5		NP	. INSERT, PUMP	A4/15028	1	(K4771)
6		NP	. INSERT, FILLER	A4/15029	1	(K4771)
NI 7		NP	. PIPE, FUEL ASSEMBLY	A3/15032	1	(K4771)
8		NP	. . PIPE	A3/15033	1	(K4771)
9		NP	. . UNION	A4/15034	1	(K4771)
NI 10	J2	7310-99-701-9423	CAP, FILLER ASSEMBLY	A3/15030	1	(K4771)
11		NP	. CAP, FILLER	A3/15168	1	(K4771)
12		NP	. SCREW	A3/15169	1	(K4771)
13	J2	7310-99-883-8693	. WASHER	A4/15170	1	(K4771)
14	J2	7310-99-831-8224	. WASHER	A4/15171	1	(K4771)
15	6MT1	NP	. CLIP	A4/15031	1	(K4771)

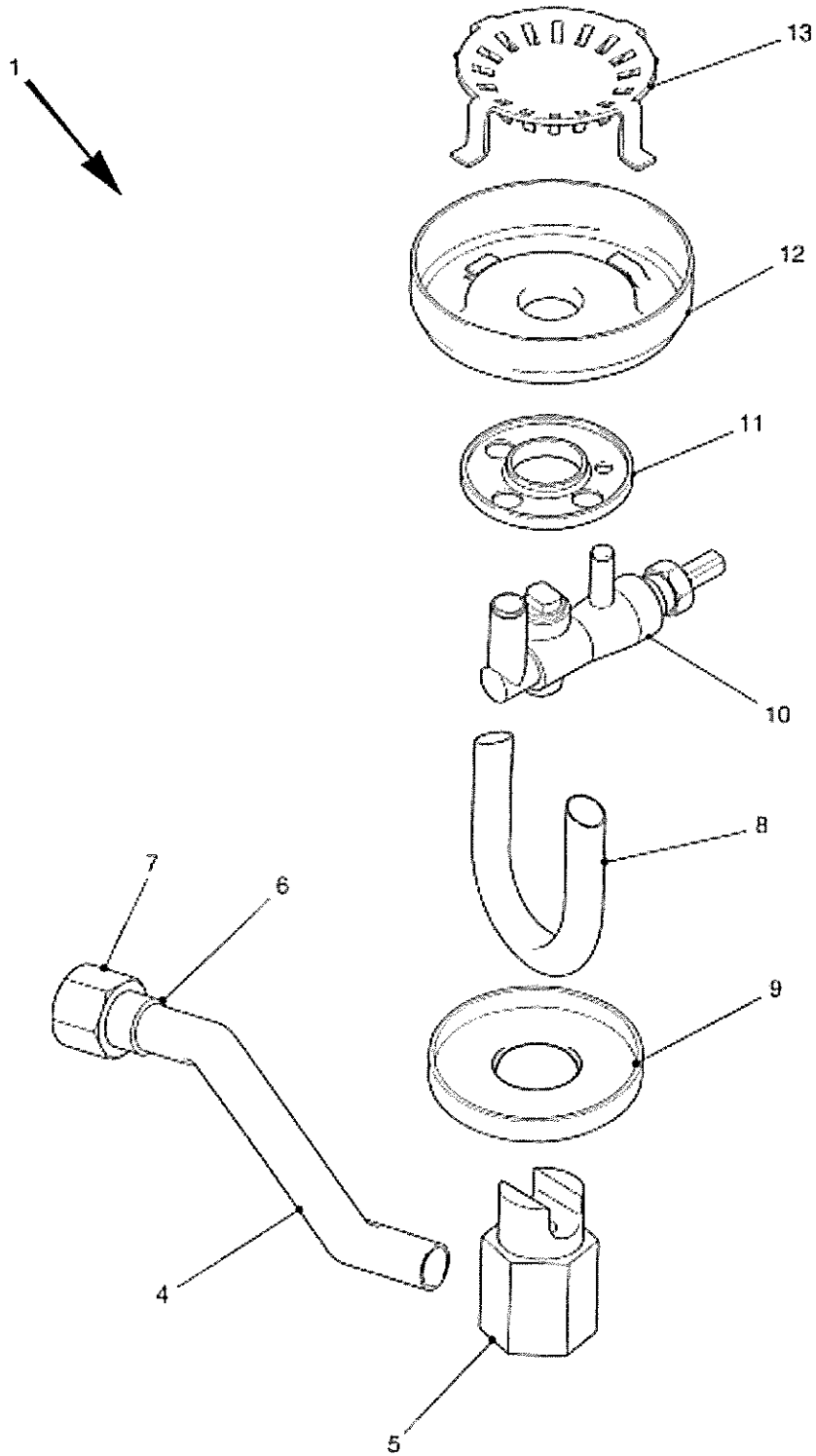


Fig 3 Burner assembly

PARTS LIST

Fig-Item	DMC Army	NATO Stock Number	Item Name and Description	Part No/ Drawing No.	No off	Annotation
1	J2	7310-99-568-5724	BURNER ASSEMBLY	A2/15035	1	(K4771)
NI 2		NP	. PIPE ASSEMBLY	A2/15038	1	(K4771)
NI 3		NP	.. PIPE ASSEMBLY	A3/15042	1	(K4771)
4		NP	... PIPE	A3/15043	1	(K4771)
5		NP	... BLOCK	A3/15044	1	(K4771)
6		NP	... NIPPLE	A3/15042 ITEM 3	1	(K4771)
7	6MT1	4730-99-400-1169	... NUT, UNION, PIPE	26-106	1	(U0759)
8		NP	.. PIPE	A4/15039	1	(K4771)
9		NP	.. TRAY	A4/15040	1	(K4771)
10		NP	.. CONTROL VALVE ASSEMBLY (refer to Fig 4)	A2/15045	REF	(K4771)
11		NP	. VAPORISING CHAMBER	A4/15037	1	(K4771)
12		NP	. VAPORISING CHAMBER	A3/15036	1	(K4771)
13		NP	. PLATE, IMPACT	A2/15041	1	(K4771)

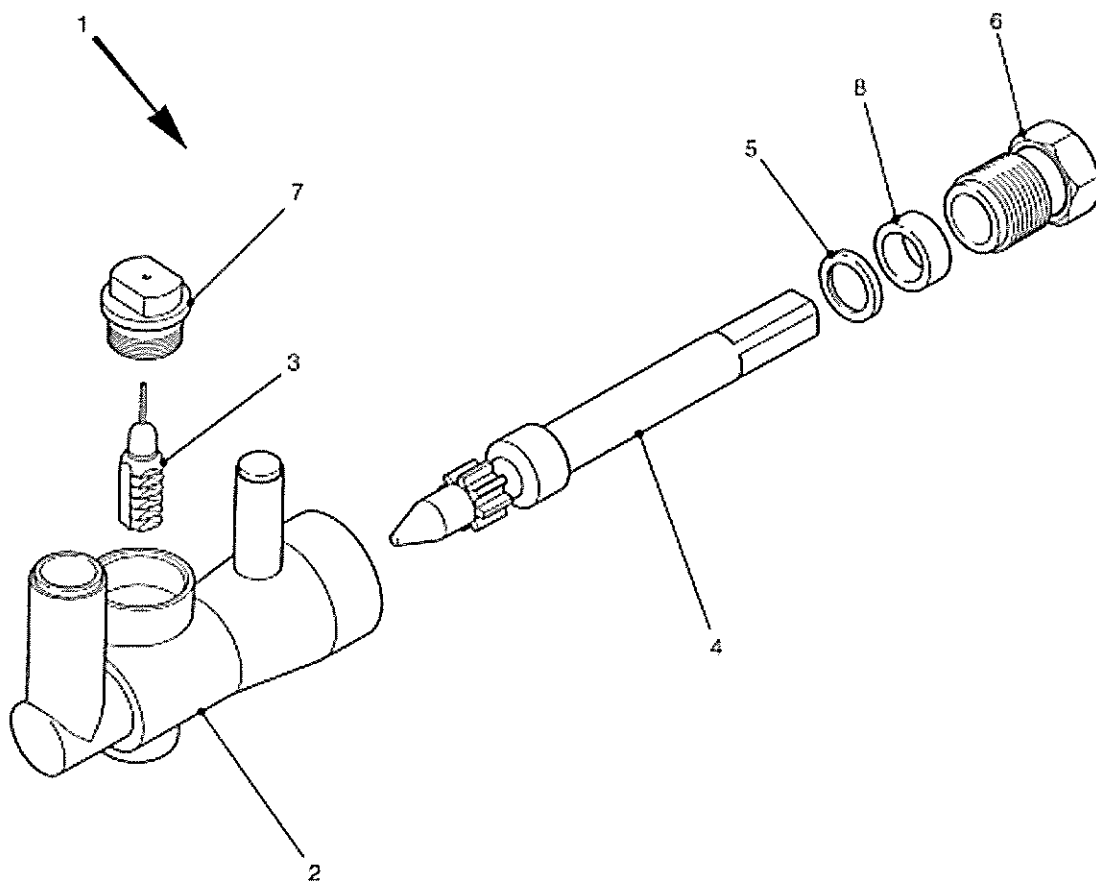


Fig 4 Control valve assembly

PARTS LIST

Fig-Item	DMC Army	NATO Stock Number	Item Name and Description	Part No/ Drawing No.	No off	Annotation
1		NP	CONTROL VALVE ASSEMBLY	A2/15045	1	(K4771)
2		NP	. BODY, VALVE	A3/15046	1	(K4771)
3		7310-25-101-7614	. RACK	B4470	1	(K4771)
4	J2	7360-99-779-8005	. VALVE SPINDLE	A4/5719	1	(K4771)
5		NP	. RING, METAL	A4/5720	1	(K4771)
6		NP	. STUFFING BOX	A4/5722	1	(K4771)
7	J2	7360-99-977-1024	. NIPPLE	A4/5724	1	(K4771)
8	J2	5330-99-251-9181	. PACKING, PREFORMED	A4/8290	1	(K4771)

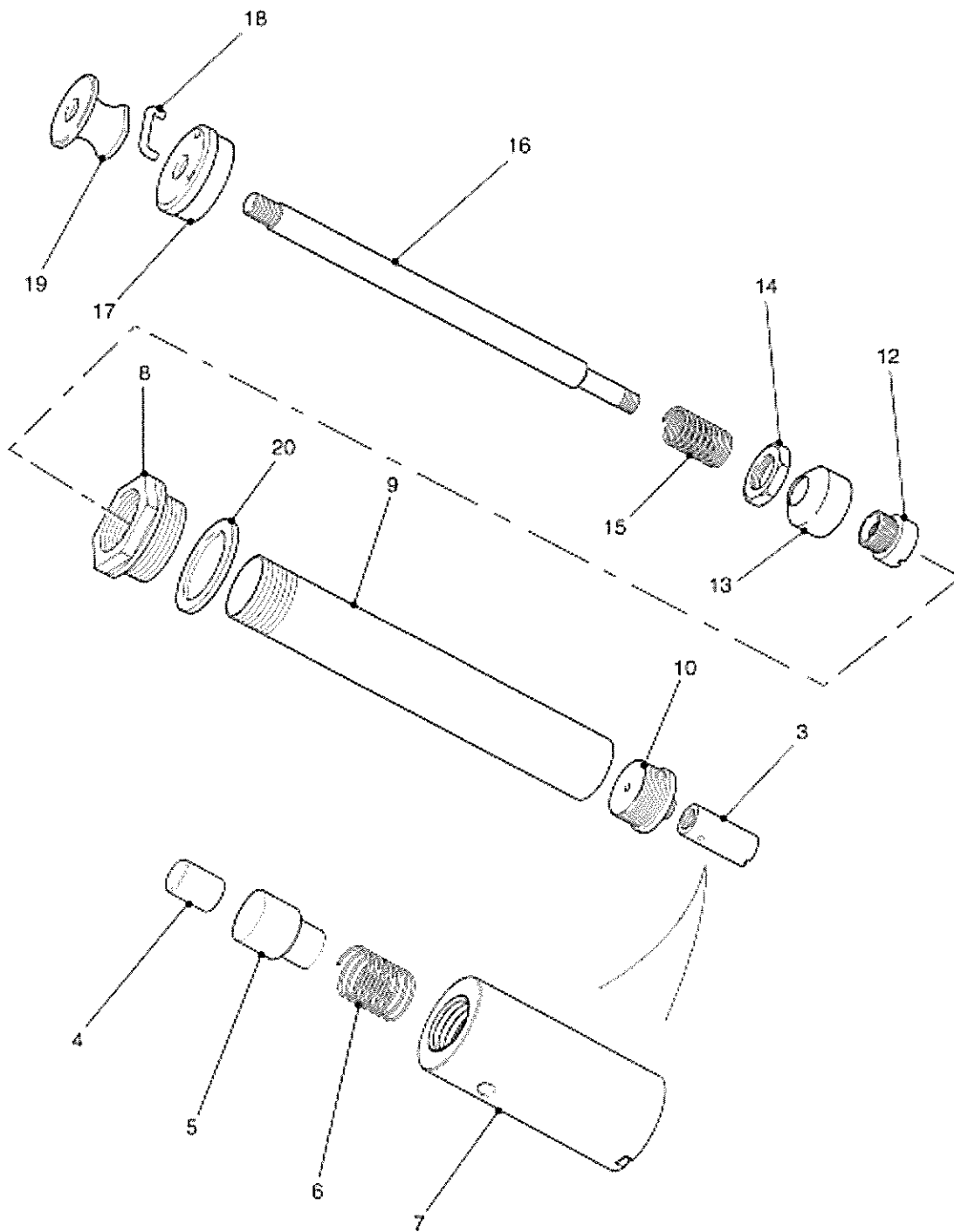


Fig 5 Pump assembly

PARTS LIST

Fig-Item	DMC Army	NATO Stock Number	Item Name and Description	Part No/ Drawing No.	No off	Annotation
NI 1	J2	7310-99-452-1223	PUMP ASSEMBLY	A3/15165	1	(K4771)
NI 2	J2	7310-99-362-7886	. CYLINDER AND VALVE ASSEMBLY	A3/15166	1	(K4771)
3	J2	7310-99-125-1763	.. PUMP VALVE ASSY	A9121	1	(K1368)
4	NP		... VALVE RUBBER		1	
5	NP		... VALVE HOLDER	A0542	1	(K4771)
6	NP		... SPRING	A0543	1	(K4771)
7	NP		... VALVE HOUSING	A0544	1	(K4771)
8	NP		.. NUT	A4/15167	1	(K4771)
9	NP		.. TUBE	A0539	1	(K4771)
10	NP		.. END CAP	A0541	1	(K4771)
NI 11	J2	7310-99-125-1764	. PUMP ROD ASSEMBLY	A0545	1	(K1368)
12	NP		.. BUCKET HOLDER	A0552	1	(K4771)
13	J2	7310-99-125-1762	.. CUP, COMPRESSION	A0612	1	(K1368)
14	NP		.. NUT	A0551	1	(K4771)
15	NP		.. SPRING	A0550	1	(K4771)
16	NP		.. SPINDLE	A0546	1	(K4771)
17	NP		.. CAP	A0549	1	(K4771)
18	NP		.. LOCKING WIRE	A0548	A/R	(K4771)
19	NP		.. KNOB	A0547	1	(K4771)
20	J2	5330-99-120-7144	. WASHER, FLAT	B0537 ITEM 3		(K1368)

CHAPTER 3

INDEXES

CONTENTS

Chapter

- 3-1 Index of NATO stock numbers to chapter, figure and item numbers
- 3-2 Index of manufacturer's part/drawing numbers to chapter, figure and item numbers
- 3-3 Not issued
- 3-4 Not issued

CHAPTER 3-1

INDEX OF NATO STOCK NUMBERS
TO
CHAPTER, FIGURE AND ITEM NUMBERS

NATO Stock Number	Chapter - Sub-chap	Fig & Item
7310-99-051-8880	2-1	1-4
7310-25-101-7614	2-3	4-3
5330-99-120-7144	2-3	5-20
7310-99-125-1762	2-3	5-13
7310-99-125-1763	2-3	5-3
7310-99-125-1764	2-3	5-NI 11
7310-99-125-1809	2-1	1-15
5330-99-251-9181	2-3	4-8
7310-99-252-7439	2-1	1-1
7310-99-362-7886	2-3	5-NI 2
4730-99-400-1169	2-3	3-7
7310-99-452-1223	2-3	1-4
	2-3	5-NI 1
7310-99-500-2532	2-1	1-13
7310-99-568-5724	2-3	1-3
	2-3	3-1
5340-99-624-1078	2-2	2-16
7310-99-701-9423	2-3	1-5
	2-3	2-NI 10
7310-99-765-3794	2-3	2-1
5325-99-767-0618	2-2	3-6
	2-2	3-12
7360-99-779-8005	2-3	4-4
7310-99-795-3794	2-3	1-2
7310-99-831-8224	2-3	2-14

NATO Stock Number	Chapter 2 Sub-chap	Fig & Item
7310-99-880-8225	2-1	1-12
7310-99-883-8693	2-3	2-13
7310-99-894-8597	2-1	1-2
	2-2	1-1
5340-99-942-4956	2-2	2-15
7360-99-977-1024	2-3	4-7

CHAPTER 3-2

INDEX OF MANUFACTURERS' PART/DRAWING NUMBERS
TO
CHAPTER, FIGURE AND ITEM NUMBERS

Manufacturers' Part or Dwg numbers	Chap 2 sub-chap	Fig & item	Manufacturers' Part or Dwg numbers	Chap 2 sub-chap	Fig & item
1500	2-2	3-6	A0550	2-3	5-15
1500	2-2	3-12	A0551	2-3	5-14
26-106	2-3	3-7	A0552	2-3	5-12
31221-00140	2-2	2-16	A0612	2-3	5-13
480-025	2-2	2-15	A1/15008	2-2	3-NI 2
A0/15000	2-1	1-1	A1/15008 ITEM 2	2-2	3-4
A0/15001	2-1	1-2		2-2	3-11
	2-2	1-1	A1/15008 ITEM 5	2-2	3-7
A0/15001 ITEM4	2-2	1-5		2-2	3-13
A0/15002	2-2	1-2	A1/15009	2-2	3-3
	2-2	3-1	A1/15010	2-2	3-NI 8
A0/15003	2-2	3-14	A1/15011	2-2	3-9
A0/15013	2-2	1-3	A1/15019	2-2	2-9
	2-2	2-1	A1/15023	2-1	1-3
A0/15014	2-2	2-2		2-3	1-1
A0/15018	2-2	1-4	A1/15024	2-3	1-2
	2-2	2-8		2-3	2-1
A0/15018 ITEM 9	2-2	2-17	A1/15047	2-1	1-12
A0/15018 ITEM 6	2-2	2-14	A2/15015	2-2	2-3
A0539	2-3	5-9	A2/15025	2-3	2-2
A0541	2-3	5-10	A2/15026	2-3	2-3
A0542	2-3	5-5	A2/15027	2-3	2-4
A0543	2-3	5-6	A2/15035	2-3	1-3
A0544	2-3	5-7		2-3	3-1
A0545	2-3	5-NI 11	A2/15038	2-3	3-NI 2
A0546	2-3	5-16	A2/15041	2-3	3-13
A0547	2-3	5-19	A2/15045	2-3	3-10
A0548	2-3	5-18		2-3	4-1
A0549	2-3	5-17	A2/15048	2-1	1-13

**INDEX OF MANUFACTURERS' PART/DRAWING NUMBERS
TO
CHAPTER, FIGURE AND ITEM NUMBERS**

Manufacturers' Part or Dwg numbers	Chap 2 sub-chap	Fig & item
A3/15004	2-2	2-6
	2-2	3-15
A3/15012	2-2	3-10
A3/15016	2-2	2-4
A3/15017	2-2	2-5
A3/15021	2-2	2-11
A3/15022	2-2	2-12
A3/15030	2-3	1-5
	2-3	2-NI 10
A3/15032	2-3	2-NI 7
A3/15033	2-3	2-8
A3/15036	2-3	3-12
A3/15042	2-3	3-NI 3
A3/15042 ITEM 3	2-3	3-6
A3/15043	2-3	3-4
A3/15044	2-3	3-5
A3/15046	2-3	4-2
A3/15049	2-1	1-4
A3/15049 ITEM 3	2-1	1-7
A3/15049 ITEM 4	2-1	1-8
A3/15049 ITEM 5	2-1	1-9
A3/15049 ITEM 6	2-1	1-10
A3/15049 ITEM 7	2-1	1-11
A3/15050	2-1	1-5
A3/15052	2-1	1-14
A3/15165	2-3	1-4
	2-3	5-NI 1
A3/15166	2-3	5-NI 2
A3/15168	2-3	2-11
A3/15169	2-3	2-12

Manufacturers' Part or Dwg numbers	Chap 2 sub-chap	Fig & item
A4/15005	2-2	2-7
	2-2	3-16
A4/15006	2-2	3-17
A4/15007	2-2	3-18
A4/15020	2-2	2-10
A4/15028	2-3	2-5
A4/15029	2-3	2-6
A4/15031	2-3	2-15
A4/15034	2-3	2-9
A4/15037	2-3	3-11
A4/15039	2-3	3-8
A4/15040	2-3	3-9
A4/15051	2-1	1-6
A4/15053	2-2	2-13
A4/15167	2-3	5-8
A4/15170	2-3	2-13
A4/15171	2-3	2-14
A4/5719	2-3	4-4
A4/5720	2-3	4-5
A4/5722	2-3	4-6
A4/5724	2-3	4-7
A4/8290	2-3	4-8
A9121	2-3	5-3
B0537 ITEM 3	2-3	5-20
B4470	2-3	4-3
B9164	2-1	1-15
TL807B	2-2	1-6
TL807B	2-2	3-5