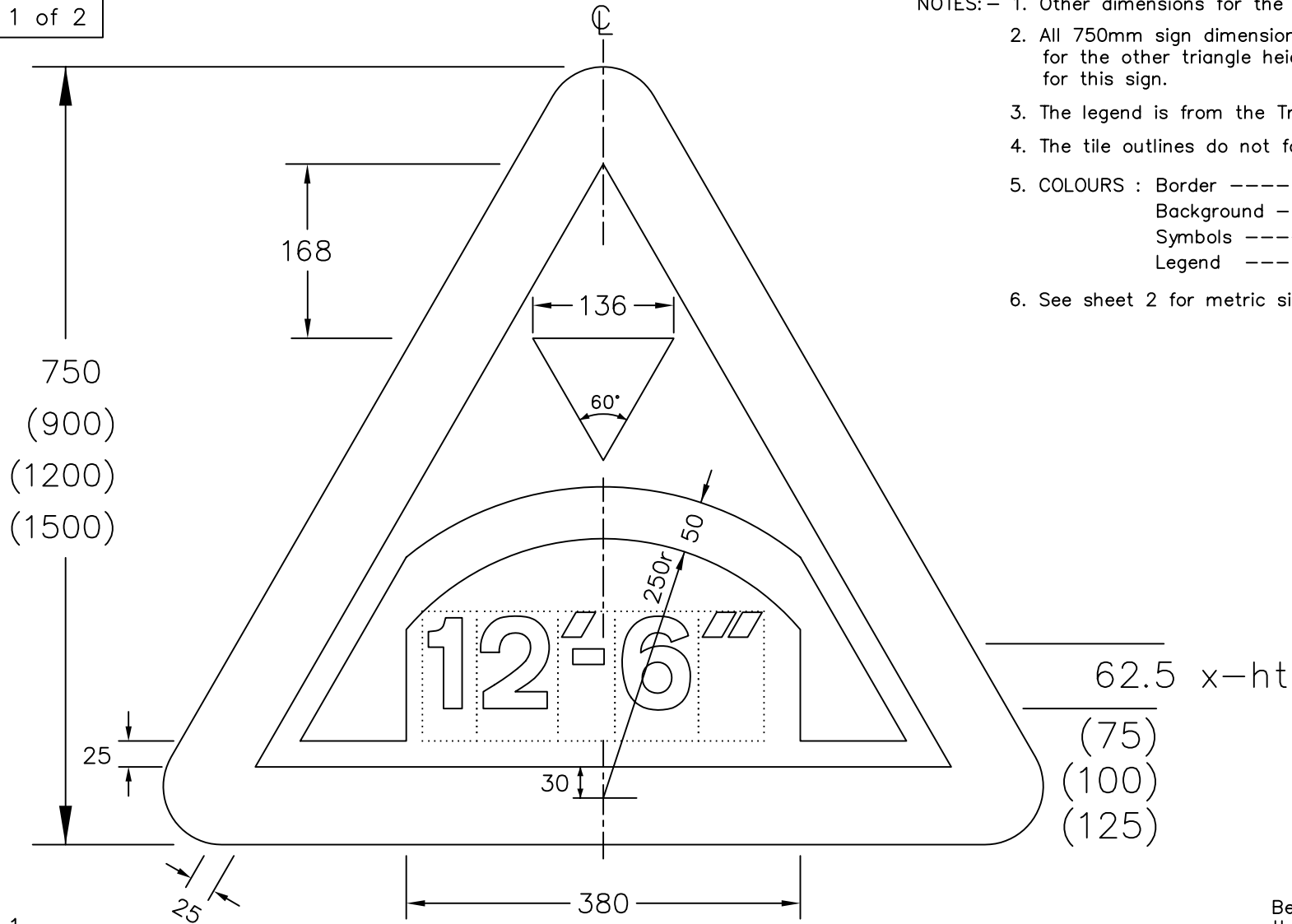


Drawing No.
P 531.1
 Sheet 1 of 2

Related Drawing
P 500

© CROWN COPYRIGHT

- NOTES:—
1. Other dimensions for the triangle are shown on P 500.
 2. All 750mm sign dimensions shall be varied proportionally for the other triangle heights. There is NO 600mm size for this sign.
 3. The legend is from the Transport Heavy alphabet.
 4. The tile outlines do not form part of the sign.
 5. COLOURS : Border ----- RED
 Background ---- WHITE
 Symbols ----- BLACK
 Legend ----- BLACK
 6. See sheet 2 for metric sign.



P531x1-1

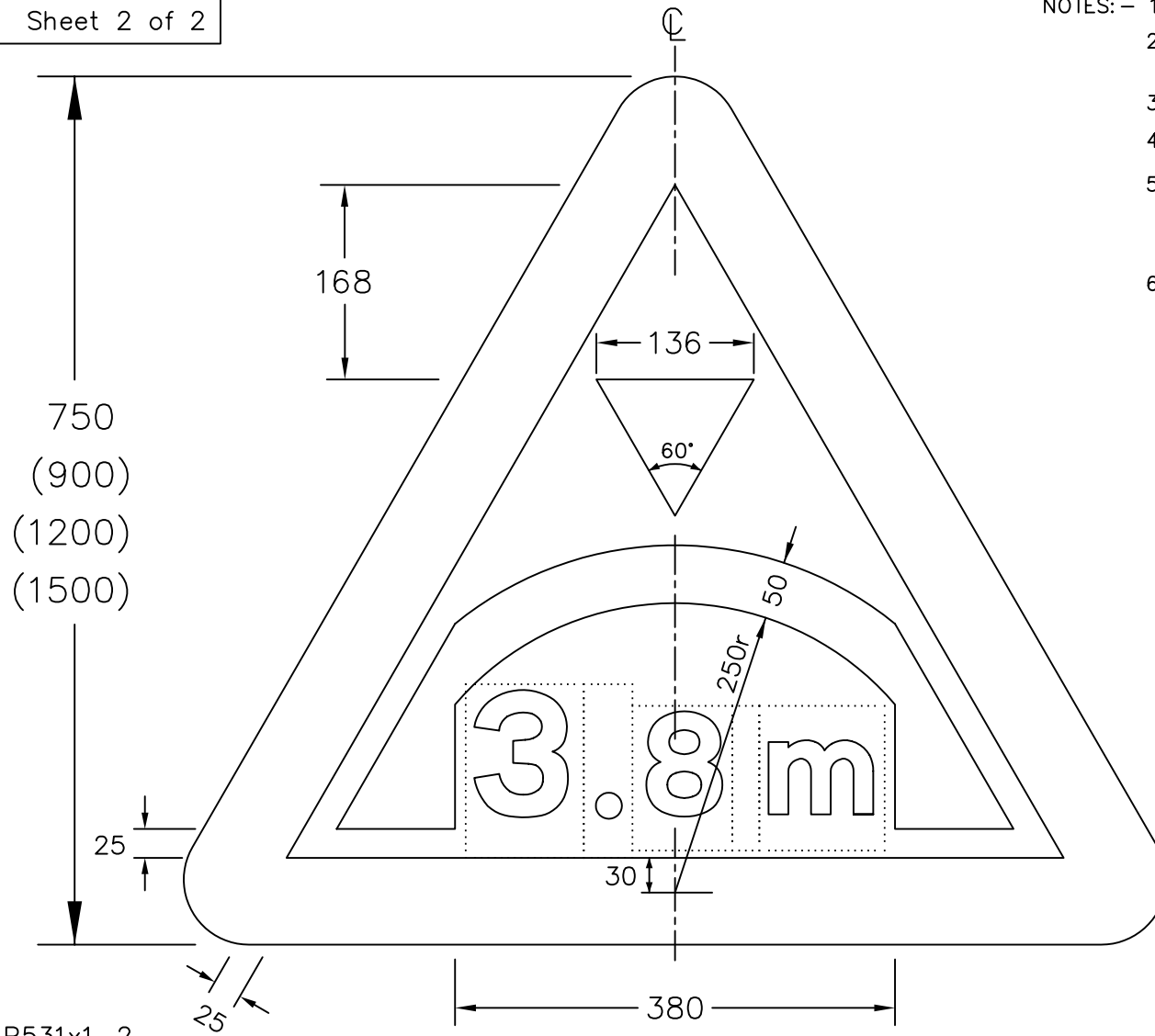
Before using this drawing, confirm that it has not been superseded.

Department for Transport	Title:	Warning Sign	Issue:	Date:	Drawn by:	Dimensions:	Drawing No.
		ARCH BRIDGE AHEAD (Imperial height limit)	A:	22.6.94	S.P.	MILLIMETRES	P 531.1
			B:	13.11.02	Approved by:		Sheet 1 of 2
			C:		R.M.		

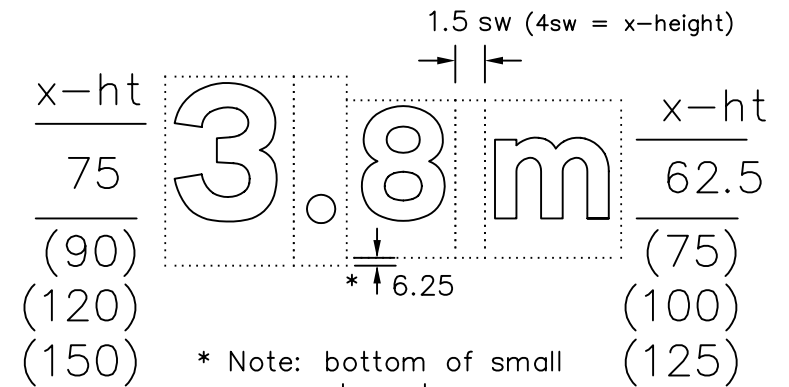
Drawing No.
P 531.1
Sheet 2 of 2

Related Drawing
P 500

© CROWN COPYRIGHT



- NOTES:—
1. Other dimensions for the triangle are shown on P 500.
 2. All 750mm sign dimensions shall be varied proportionally for the other triangle heights. There is NO 600mm size for this sign.
 3. The legend is from the Transport Heavy alphabet.
 4. The tile outlines do not form part of the sign.
 5. COLOURS : Border ----- RED
Background ----- WHITE
Legend & Symbols --- BLACK
 6. See sheet 1 for imperial sign.



P531x1-2

Before using this drawing, confirm that it has not been superseded.

Department for
Transport

Title: Warning Sign
ARCH BRIDGE AHEAD
(Metric height limit)

Issue: Date:
A: 22.6.94
B: 13.11.02
C:

Drawn by: S.P.
Approved by: R.M.

Dimensions:
MILLIMETRES
(stroke widths where indicated)

Drawing No.
P 531.1
Sheet 2 of 2