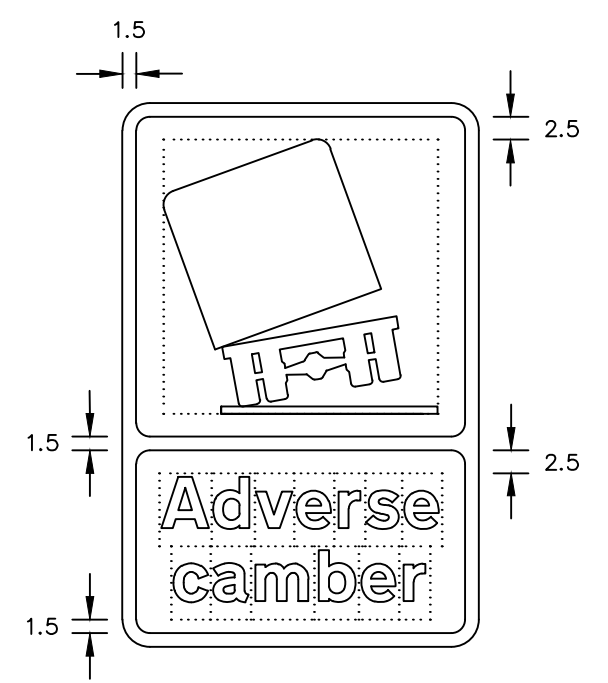


ROAD BENDS TO LEFT

- NOTES:—
1. The legend is from the Transport Heavy alphabet at the x-heights shown.
 2. Details of the symbol showing the overturning lorry are given on dwg NS 68.
 3. The tile outlines do not form part of the signs.
 4. Colours: Background ----- WHITE
Legend, symbol and border ---- BLACK
 5. Dimensions: x-heights are in millimetres, all others dimensions are in stroke widths. (4sw = x-height)



ROAD BENDS TO RIGHT

P513x1A

© CROWN COPYRIGHT

	Title:	Informatory Signs	Issue:	Date:	Drawn by :	Related drawings :	Drawing No.
		RISK OF LORRIES OVERTURNING ON ADVERSE CAMBER	A:	13.6.02	L.W.	NS 68	P 513.1A
			B:		Approved by :		
			C:		R.M.		