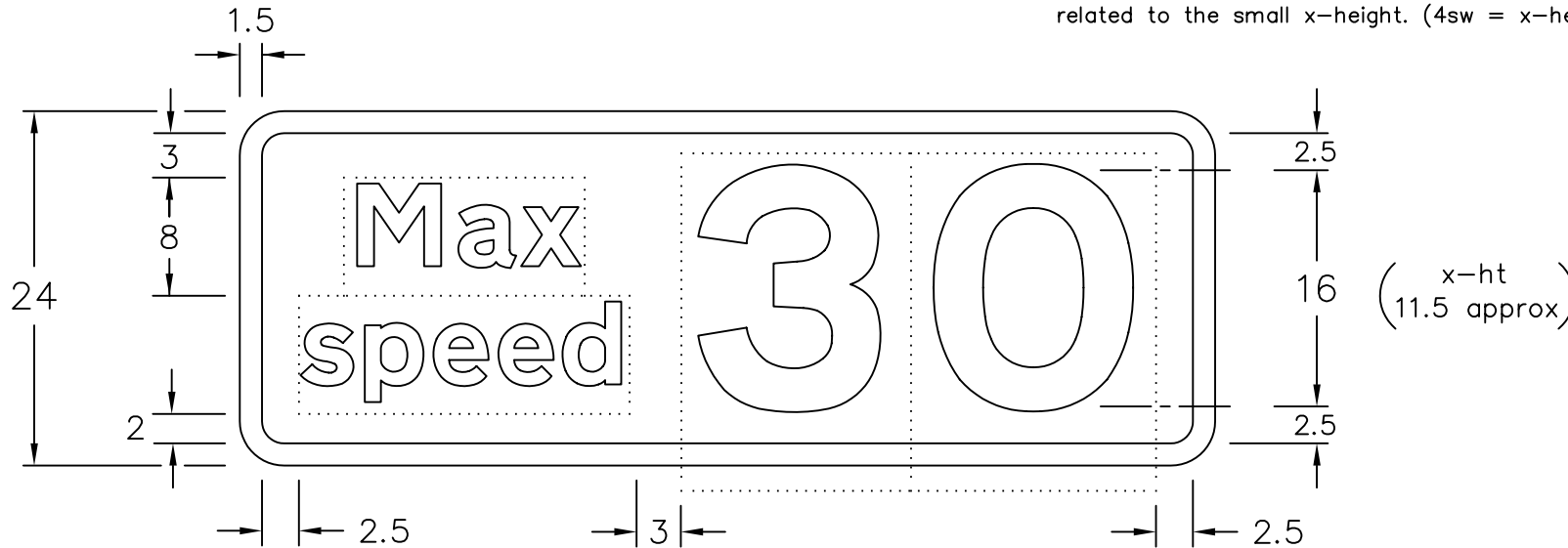


Drawing No.  
P 513.2

Before using this drawing, confirm that it has not been superseded.

© CROWN COPYRIGHT

- NOTES:— 1. The legend is from the Transport Heavy alphabet at the x-heights shown.  
 2. The outlines of the tiles do not form part of the sign.  
 3. COLOURS : Background ----- WHITE  
 Legend & Border ---- BLACK  
 4. DIMENSIONS : x-heights in millimetres, other dimensions in stroke widths related to the small x-height. (4sw = x-height)



	numeral height	approx x-ht
50 x-ht (62.5)	200 mm (250)	143 (179)
(75)	(300)	(214)
(100)	(400)	(286)
(125)	(500)	(357)

P513x2

Department for  
**Transport**

Title: Warning Sign  
MAXIMUM SPEED ADVISED (MPH)  
(FOR USE WITH TRIANGULAR SIGNS)

Issue: Date:  
A: 29.6.94  
B: 13.11.02  
C:

Drawn by: S.P.  
Approved by: R.M.

Dimensions:  
SEE NOTE 4

Drawing No.  
P 513.2