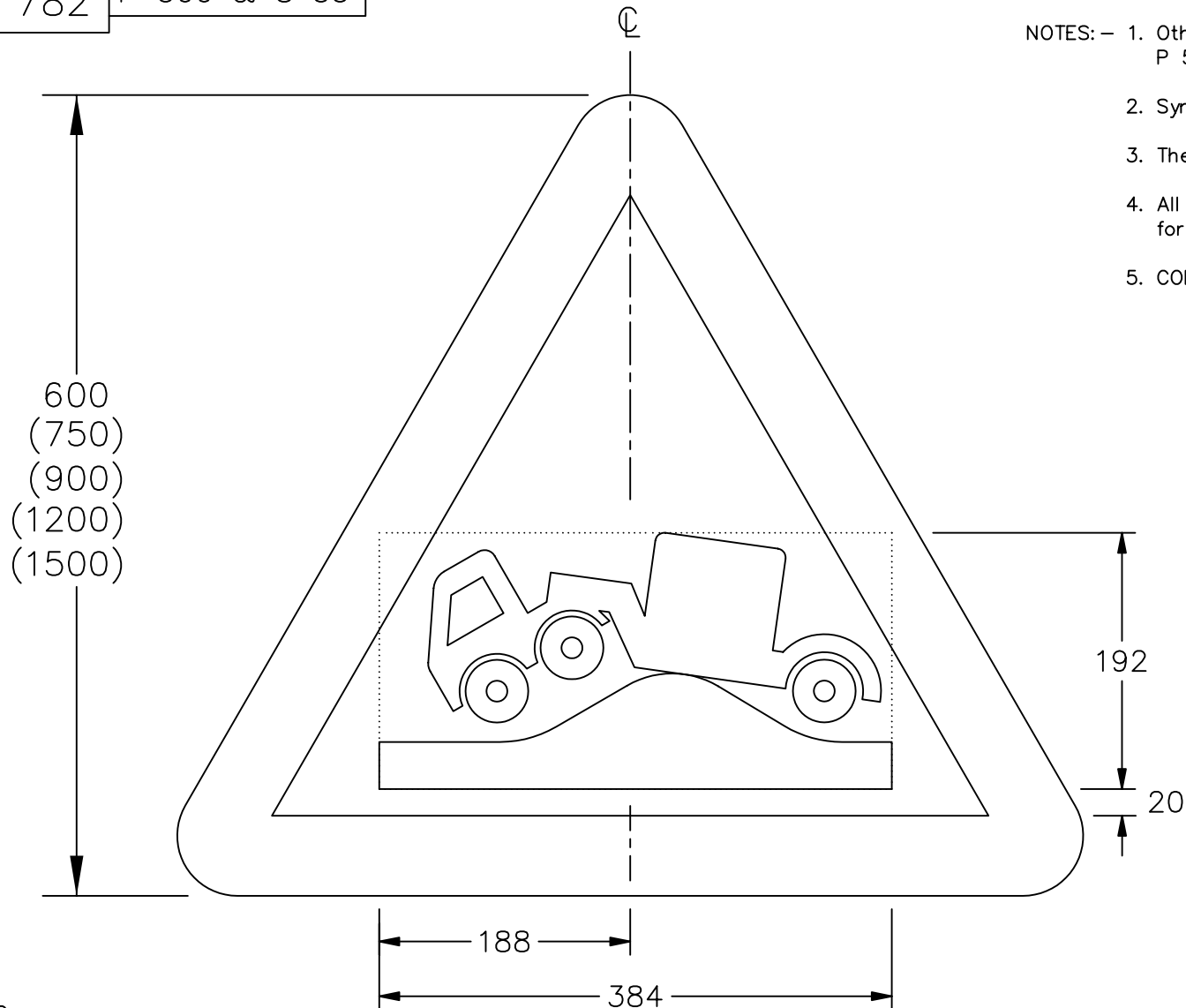


Drawing No.  
P 782

Related Drawings  
P 500 & S 33

© CROWN COPYRIGHT

- NOTES:—
1. Other dimensions for the triangle are shown on drawing P 500.
  2. Symbol details are given on drawing S 33.
  3. The tile outline does not form part of the sign.
  4. All 600mm sign dimensions shall be varied proportionally for the other triangle heights.
  5. COLOURS : Border ----- RED  
Background ---- WHITE  
Symbol ----- BLACK



P782

Before using this drawing, confirm that it has not been superseded.

Department for  
**Transport**

Title: Warning Sign  
RISK OF GROUNDING

Issue: Date: Drawn by:  
A: 26.9.94 S.P.  
B: 27.7.04 Approved by:  
C: R.M.

Dimensions:  
MILLIMETRES

Drawing No.  
P 782