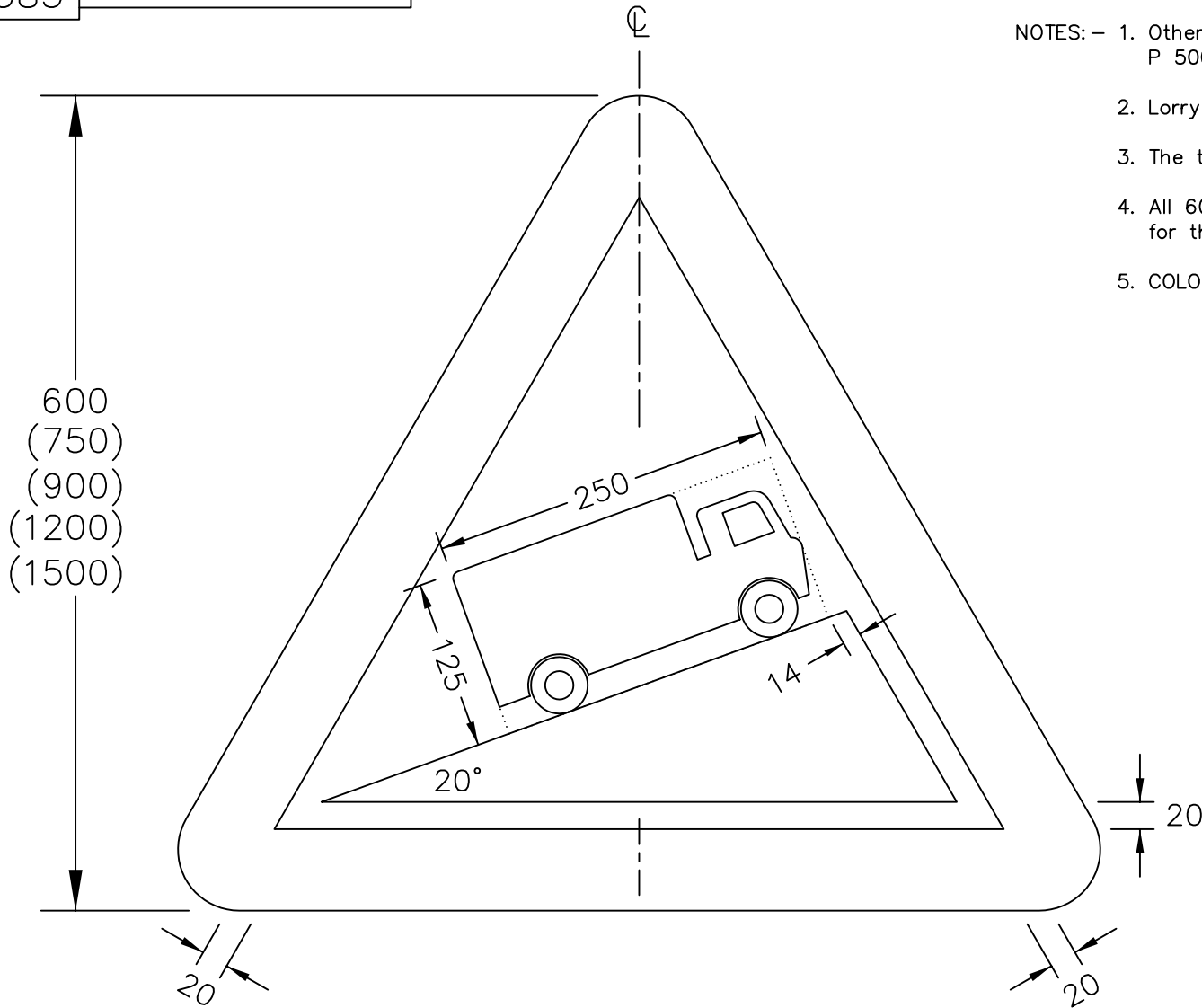


Drawing No.  
P 583

Related Drawings  
P 500 & S 32 sheet 1

© CROWN COPYRIGHT

- NOTES:—
1. Other dimensions for the triangle are shown on drawing P 500.
  2. Lorry symbol details are given on drawing S 32 sheet 1.
  3. The tile outline does not form part of the sign.
  4. All 600mm sign dimensions shall be varied proportionally for the other triangle heights.
  5. COLOURS : Border ----- RED  
Background ---- WHITE  
Symbols ----- BLACK



P583

Before using this drawing, confirm that it has not been superseded.

Department for  
**Transport**

Title: Warning Sign  
SLOW MOVING VEHICLES  
LIKELY ON INCLINE AHEAD

Issue: Date: Drawn by:  
A: 29.6.94 S.P.  
B: 7.7.04 Approved by:  
C: R.M.

Dimensions:  
MILLIMETRES

Drawing No.  
P 583