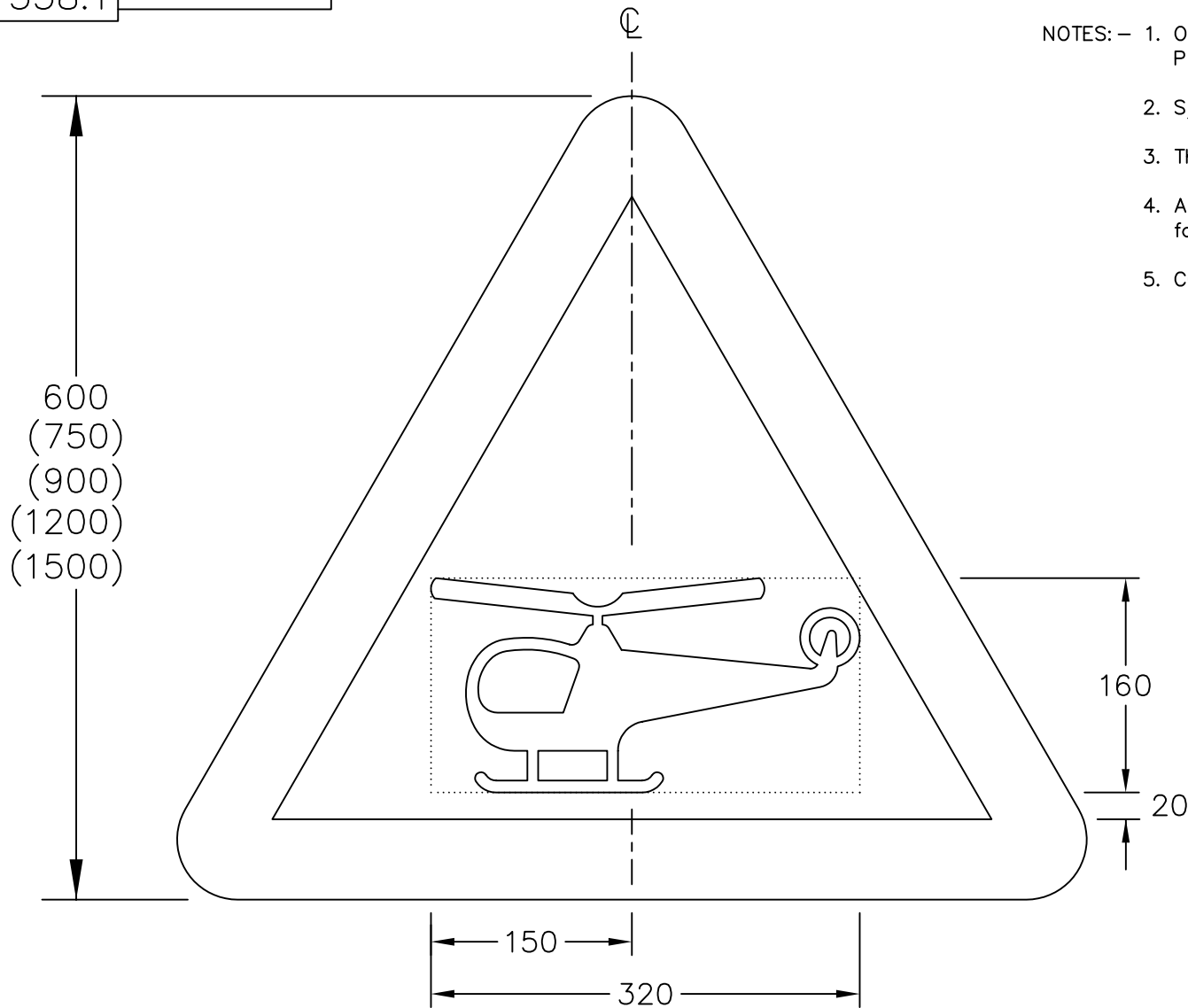


Drawing No.
P 558.1

Related Drawings
P 500 & S 31

© CROWN COPYRIGHT

- NOTES:—
1. Other dimensions for the triangle are shown on drawing P 500.
 2. Symbol details are given on drawing S 31.
 3. The tile outline does not form part of the sign.
 4. All 600mm sign dimensions shall be varied proportionally for the other triangle heights.
 5. COLOURS : Border ----- RED
Background ---- WHITE
Symbol ----- BLACK



P558x1

Before using this drawing, confirm that it has not been superseded.

<p>Department for Transport</p>	Title:	Warning Sign	Issue:	Date:	Drawn by:	Dimensions:	Drawing No.
		LOW-FLYING HELICOPTER or SUDDEN HELICOPTER NOISE	A:	28.6.94	S.P.	MILLIMETRES	P 558.1
			B:	7.7.04	Approved by:		
			C:		R.M.		