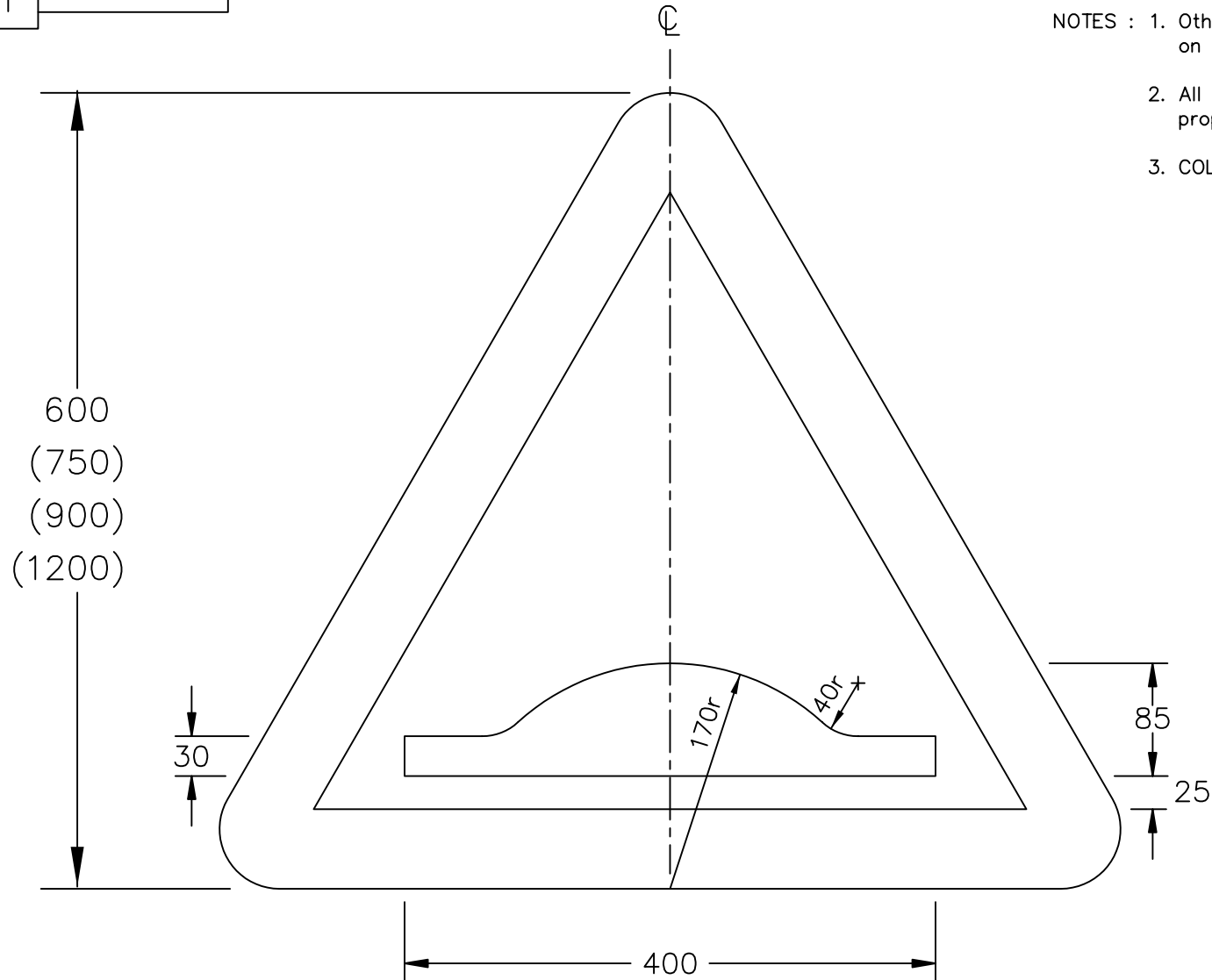


Drawing No.  
P 557.1

Related Drawing  
P 500

© CROWN COPYRIGHT

- NOTES : 1. Other dimensions for the triangle are shown on drawing P 500.
2. All 600mm sign dimensions shall be varied proportionally for the other triangle heights.
3. COLOURS : Border ----- RED  
Background --- WHITE  
Symbol ----- BLACK



P557x1

Before using this drawing, confirm that it has not been superseded.

**Department for  
Transport**

Title: Warning Sign  
ROAD HUMP AHEAD  
or series of humps ahead

Issue: Date:  
A: 28.6.94  
B: 7.7.04  
C:

Drawn by: S.P.  
Approved by: R.M.

Dimensions:  
MILLIMETRES

Drawing No.  
P 557.1