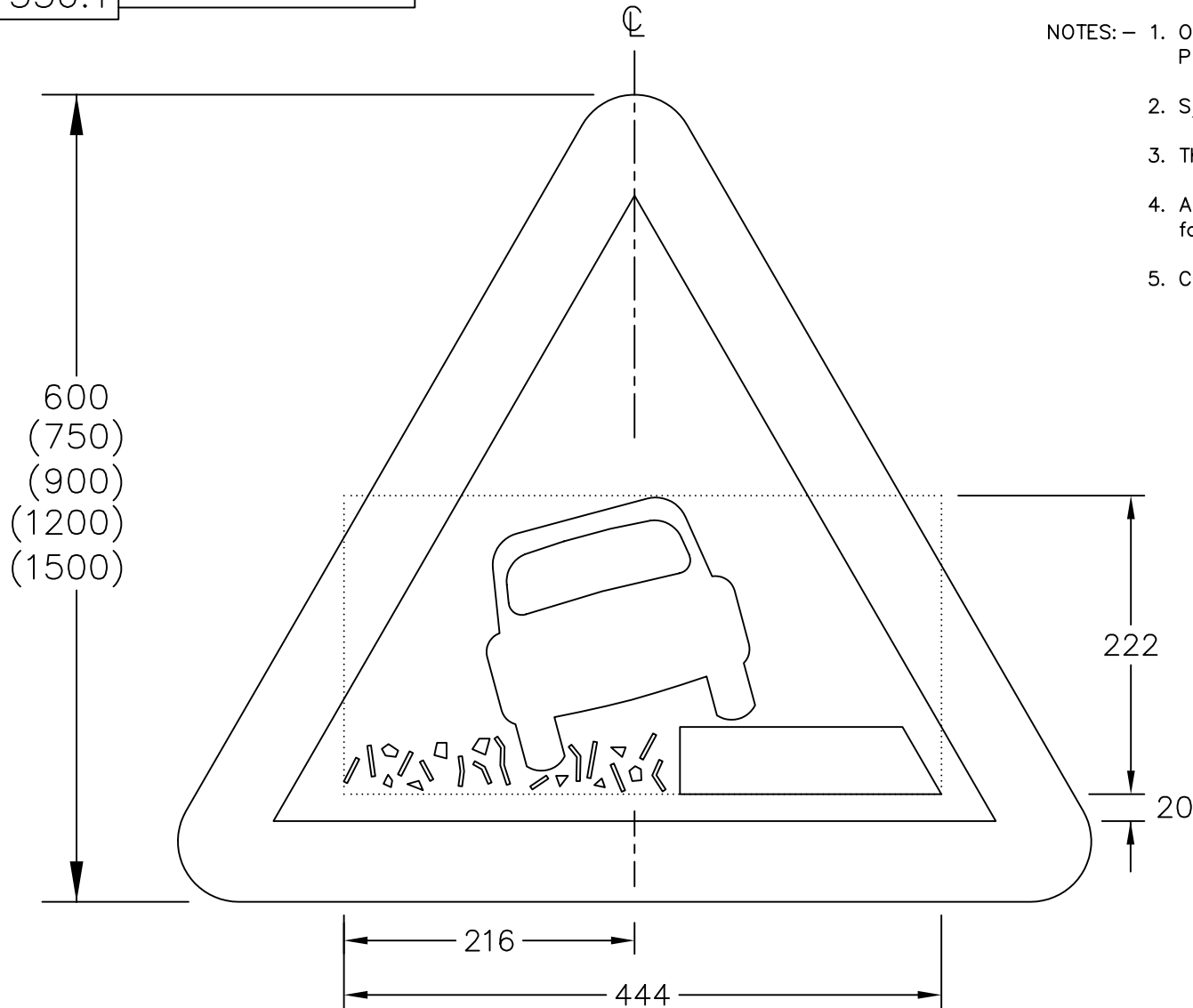


Drawing No.
P 556.1

Related Drawings
P 500, S 19 & S 21

© CROWN COPYRIGHT

- NOTES:—
1. Other dimensions for the triangle are shown on drawing P 500.
 2. Symbol details are given on drawings S 19 & S 21.
 3. The tile outline does not form part of the sign.
 4. All 600mm sign dimensions shall be varied proportionally for the other triangle heights.
 5. COLOURS : Border ----- RED
Background ---- WHITE
Symbol ----- BLACK



P556x1

Before using this drawing, confirm that it has not been superseded.

Department for
Transport

Title: Warning Sign
SOFT VERGES AHEAD

Issue: Date:
A: 28.6.94
B: 6.7.04
C:

Drawn by: S.P.
Approved by: R.M.

Dimensions:
MILLIMETRES

Drawing No.
P 556.1