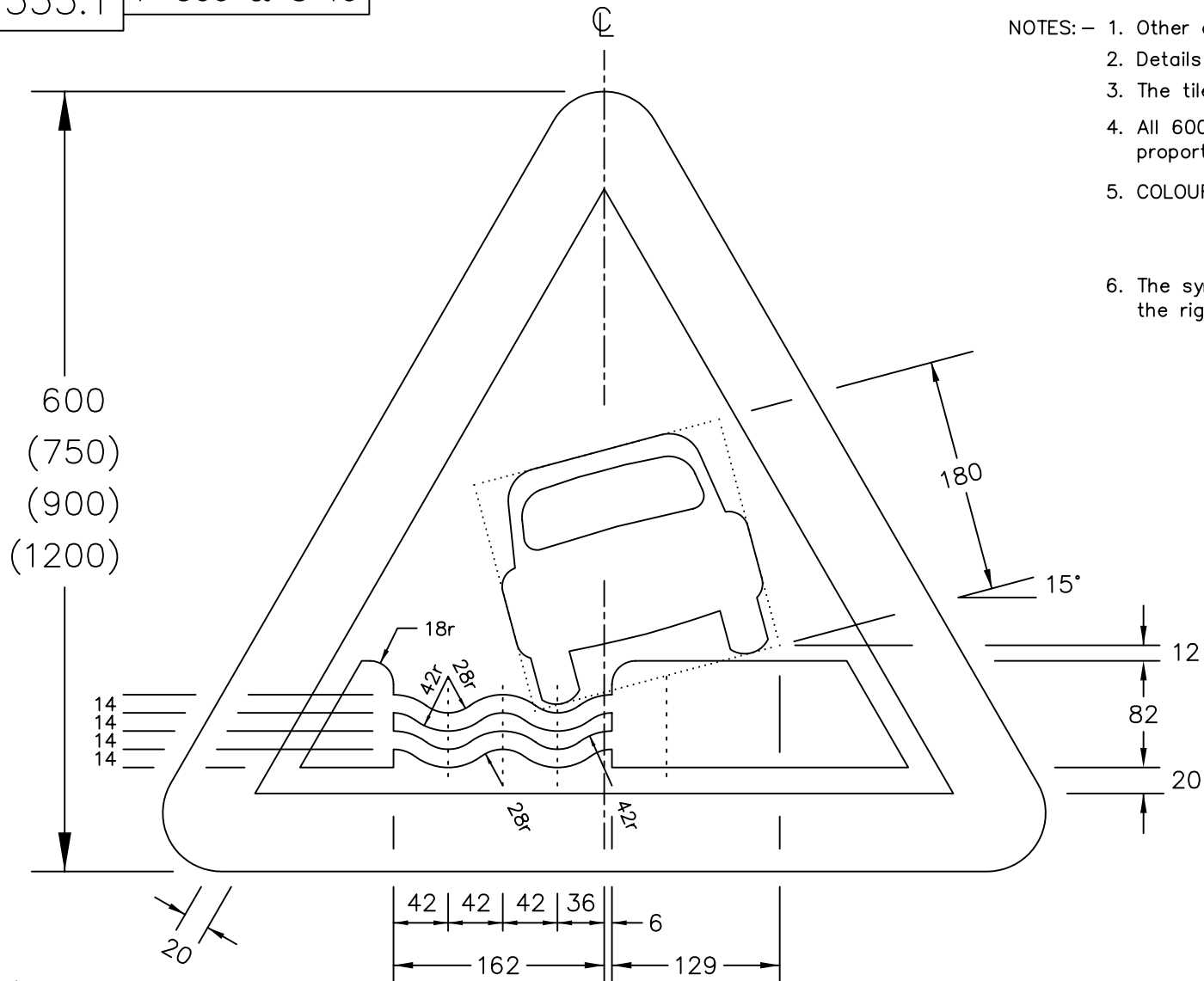


Drawing No.  
P 555.1

Related Drawings  
P 500 & S 19

© CROWN COPYRIGHT

- NOTES:—
1. Other dimensions for the triangle are shown on P 500.
  2. Details of car symbol are given on drawing S 19.
  3. The tile outline does not form part of the sign.
  4. All 600mm sign dimensions shall be varied proportionally for the other triangle heights.
  5. COLOURS : Border ----- RED  
Background ---- WHITE  
Symbol ----- BLACK
  6. The symbol is reversed when the water course is on the right hand side of the road.



P555x1

Before using this drawing, confirm that it has not been superseded.

Department for  
**Transport**

Title: Warning Sign  
WATER COURSE  
ALONGSIDE ROAD AHEAD

Issue: Date:  
A: 13.11.02  
B:  
C:

Drawn by:  
R.M.  
Approved by:  
R.M.

Dimensions:  
MILLIMETRES

Drawing No.  
P 555.1