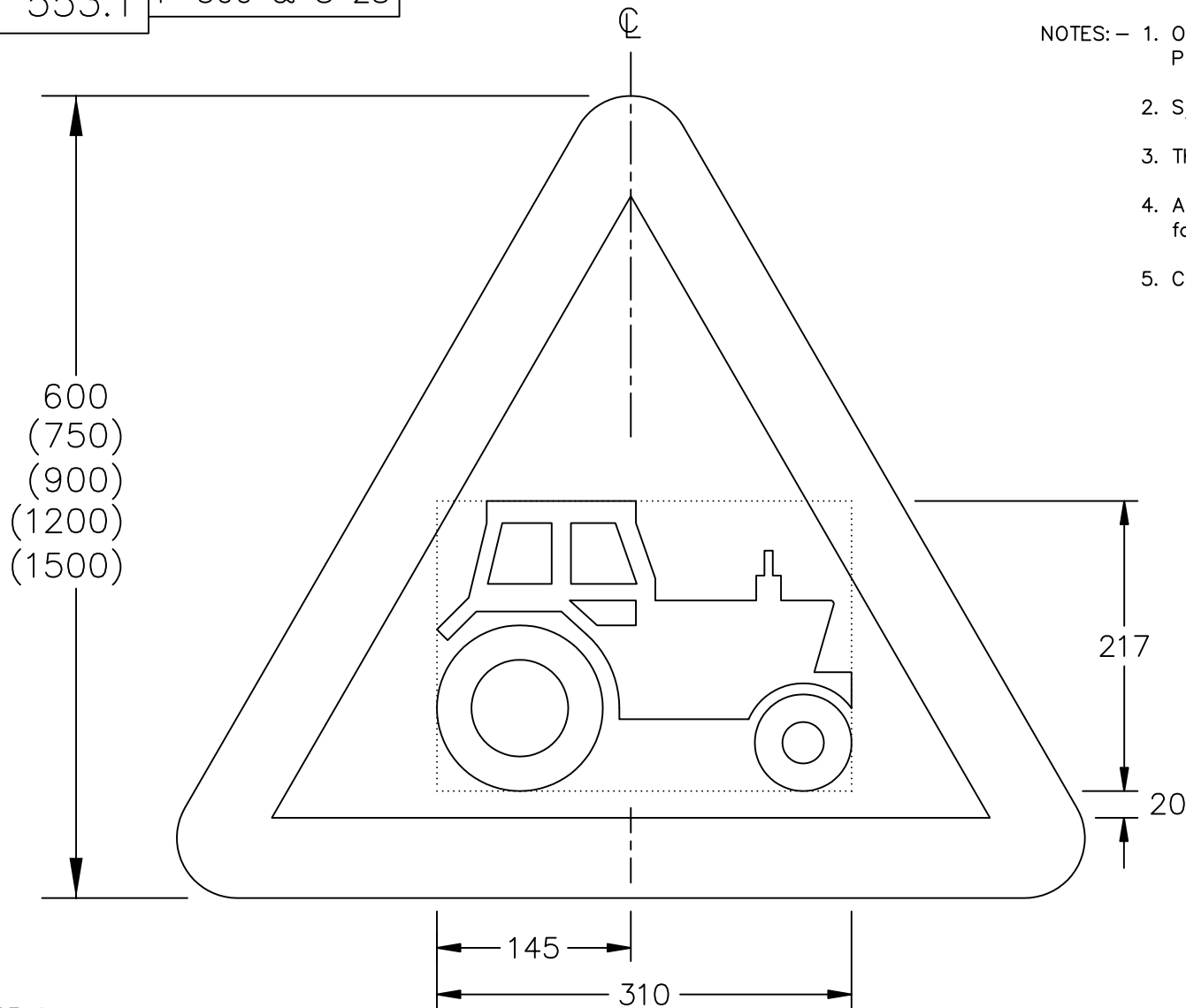


Drawing No.  
P 553.1

Related Drawings  
P 500 & S 28

© CROWN COPYRIGHT

- NOTES:—
1. Other dimensions for the triangle are shown on drawing P 500.
  2. Symbol details are given on drawing S 28.
  3. The tile outline does not form part of the sign.
  4. All 600mm sign dimensions shall be varied proportionally for the other triangle heights.
  5. COLOURS : Border ----- RED  
Background ---- WHITE  
Symbol ----- BLACK



P553x1

Before using this drawing, confirm that it has not been superseded.

<p><b>Department for Transport</b></p>	Title:	Warning Sign	Issue:	Date:	Drawn by:	Dimensions:	Drawing No.
		AGRICULTURAL VEHICLES likely to be in road ahead	A:	27.6.94	S.P.	MILLIMETRES	P 553.1
			B:	29.6.04	Approved by:		
			C:		R.M.		