



Ministry
of Defence



DE&S Secretariat (Land Equipment)

DESSEC-PolSecLE-JSC-WPNS@mod.uk

Defence Equipment & Support
Maple 0a # 2043
MOD Abbey Wood
Bristol BS34 8JH



Via:

15th April 2020 Our Ref: FOI2020/04071

Dear [REDACTED],

Thank you for your email of 25th March 2020 requesting the following information:

I have acquired the following Shelters through disposal / second hand channels and would like to make an FOI request for copies of the appropriate - 741 Complete Equipment Schedules to ensure safe and correct use.

- 8340-C-101-741 - 8340-99-130-2183 - Shelter, Passageway 3.6m x 1.8m
- 8340-C-108-741 - 8340-99-884-6622 - Sunshade 3.6m x 3.6m
- 8340-C-111-741 - 8340-99-130-2184 - Shelter, 4 Way Connector
- 8340-C-113-741 - 8340-99-984-7785 - Shelter, General Purpose 3.6m x 3.6m
- 8340-C-116-741 - 8340-99-147-7464 - Shelter, Operational Field Catering System (OFCS) 3.6m x 3.6m
- 8340-C-102-741 - 8340-99-225-8188 - Shelter, Porch 1.8m X 1.8m

I am treating your correspondence as a request for information under the Freedom of Information Act 2000 (FOIA).

A search for the information has now been completed within the Ministry of Defence, and I can confirm that information in scope of your request is held and is attached to the email.

The information you have requested has been found, but some of the information falls entirely within the scope of the absolute exemption provided for at section 40 (Personal Data) of the FOIA and has been redacted.

Section 40(2) has been applied to some of the information in order to protect personal information as governed by the Data Protection Act 1998. Section 40 is an absolute exemption and there is therefore no requirement to consider the public interest in making a decision to withhold the information.

If you have any queries regarding the content of this letter, please contact this office in the first instance.

If you wish to complain about the handling of your request, or the content of this response, you can request an independent internal review by contacting the Information Rights Compliance team, Ground Floor, MOD Main Building, Whitehall, SW1A 2HB (e-mail CIO-FOI-IR@mod.gov.uk). Please note that any request for an internal review should be made within 40 working days of the date of this response.

If you remain dissatisfied following an internal review, you may raise your complaint directly to the Information Commissioner under the provisions of Section 50 of the Freedom of Information Act. Please note that the Information Commissioner will not normally investigate your case until the MOD internal review process has been completed. The Information Commissioner can be contacted at: Information

Commissioner's Office, Wycliffe House, Water Lane, Wilmslow, Cheshire, SK9 5AF. Further details of the role and powers of the Information Commissioner can be found on the Commissioner's website at <https://ico.org.uk/>.

Yours sincerely,

DES SEC Pol Sec Land Equipment



Ministry of Defence

**SHELTER, PASSAGEWAY
3.6 M x 1.8 M (12 FT x 6 FT)**

NSN 8340-99-130-2183

COMPLETE EQUIPMENT SCHEDULE (CES)

THIS DOCUMENT IS THE PROPERTY OF HER BRITANNIC MAJESTY'S GOVERNMENT, and is issued for the information of such persons only as need to know its contents in the course of their official duties. Any person finding this document should hand it to a British forces unit or to a police station for its safe return to the MINISTRY OF DEFENCE DBR DefSy, MAIN BUILDING, WHITEHALL, LONDON SW1A 2HB with particulars of how it was found. THE UNAUTHORIZED RETENTION OR DESTRUCTION OF THIS DOCUMENT MAY BE AN OFFENCE UNDER THE OFFICIAL SECRETS ACTS OF 1911-1989. (When released to persons outside Government service, this document is issued on a personal basis. The recipient to whom it may be entrusted in confidence, within the provision of the Official Secrets Acts 1911-1989, is personally responsible for its safe custody and for seeing that its contents are disclosed only to authorized persons).

Sponsored for use in the
UNITED KINGDOM MINISTRY OF DEFENCE
AND ARMED FORCES

By

██
██

CONDITIONS OF RELEASE

~~This information is released by the UK Government for Defence purposes only.~~

~~This information must be afforded the same degree of protection as that afforded to information of an equivalent classification originated by the recipient Government or as required by the recipient Government's National Security regulations.~~

~~This information may be disclosed only within the Defence Department of the recipient Government, except as otherwise authorized by the Ministry of Defence (Army).~~

This information may be subject to privately owned rights.

© CROWN COPYRIGHT RESERVED

AMENDMENT RECORD

Amdt No	Incorporated By (Signature)	Date
1		
2		
3		
4		
5		
6		
7		
8		
9		
10		
11		
12		
13		
14		
15		
16		
17		
18		
19		
20		
21		
22		
23		
24		
25		
26		
27		
28		
29		
30		
31		

Amdt No	Incorporated By (Signature)	Date
32		
33		
34		
35		
36		
37		
38		
39		
40		
41		
42		
43		
44		
45		
46		
47		
48		
49		
50		
51		
52		
53		
54		
55		
56		
57		
58		
59		
60		
61		
62		

THIS PAGE INTENTIONALLY BLANK

CONTENTS

PRELIMINARY MATERIAL	Page
Front Cover (title page).....	i
Conditions of Release.....	ii
AMENDMENT RECORD.....	iii
CONTENTS.....	v
PREFACE.....	vi
INTRODUCTION.....	vi
Instructions for use by Units.....	vi
Initial issues by Royal Logistic Corps.....	vi
In lieu items.....	vii
General Notes.....	vii
Amendment.....	vii
Indentations.....	vii
Description.....	vii
RELATED AND ASSOCIATED PUBLICATIONS.....	viii
Related publications.....	viii
Associated publications.....	ix
ABBREVIATIONS.....	ix
WARNINGS AND CAUTIONS.....	x

ILLUSTRATED PARTS CATALOGUE (IPC)

(1)		
(2)	1	General Information
(3)	2	Main Assemblies
(4)	2-1	Parts List 8340-99-130-2183
(5)	2.2	Insulation Pack
(6)	2-3	Flooring
(7)	2-4	Repair Kit
(8)	3	Indexes
(9)	3-1	Index of NSN to Chapter and Page
(10)	3-1	Index of Manufacturers Part Number/Drawing Numbers

PREFACE

Sponsor:	DE&S OI
Project Number:	-
File Ref:	-
Publication Agency:	OI

INTRODUCTION

1. Any comments by service users on this publication should be forwarded through the channels prescribed in JSP (D) 543. The AESP Form 10 is now in an electronic format and must be used for forwarding comments on this AESP.
2. AESPs are issued under UK MOD authority and where AESPs specify action is to be taken, the AESP will of itself be sufficient authority for such action and also for the demanding of the necessary stores, subject to the provisions of Para 3 below.
3. The subject matter of this publication may be affected by Defence Instructions and Notices (DIN), Standard Operating Procedures (SOP) or by local regulations. When any such instruction, order or regulation contradicts any portion of this publication it is to be taken as the overriding authority.
4. The subject matter of this publication details information specific to Shelter, Passageway 3.6 M x 1.8 M (12 ft x 6 ft) MK 4.
5. This Complete Equipment Schedule (CES) is designed as an aid to the identification of components, parts or assemblies of parts of the equipment and to provide information necessary for demanding spares.
6. This CES may list some or all of the parts comprising the equipment concerned, but only those parts assigned a NATO Stock Number, Service Catalogue or Reference Number will normally be available as spares. Should there be a requirement for an item not assigned a number, demands may be submitted quoting the AESP, Item Number, Figure Reference and Item Name. Where a manufacturers reference is known, this should also be quoted.

Instructions for use by Units

7. Detailed instructions for use by Units are given in JSP866 Volume 4, Part 200, Supply of Material.

Initial issues by Royal Logistic Corps

8. Initial issues as detailed below:
 - 8.1. One copy of the CES will be attached to the Unit's copy of the issue voucher and one further copy to accompany every equipment.
 - 8.2. Deficiencies (if any) will be annotated on the covering issue voucher by reference to the serial number of the items list in the simple CES.
 - 8.3. 'To follow' vouchers will not be created.
 - 8.4. All items listed in the CES can be issued separately. If any listed herein becomes unserviceable it should be extracted and exchanged and the equipment retained pending receipt. Transfers between equipment holders should normally be complete to CES.

In lieu items

9. Authorised 'in lieu' items held against this CES will not be replaced, until they are no longer serviceable. When replacement becomes necessary the correct item, as listed in the CES, will be demanded.

General Notes

10. Certain items may be annotated as follows:

10.1. (E) - Expendable stores, consumable stores and material, 'NON LEDGER' spare parts of minor value.

10.2. (X) - ESSENTIAL ITEMS without which the RLC will not issue the equipment.

10.3. (*) - Indicates the accountability classification of the item.

10.4. (NI) - (Not illustrated) when appearing with a number in the 'Fig Item' column indicates that the item is not illustrated.

10.5. (NIV) - (Not in Vocabulary) indicates that the item is not available within the Stores System.

Amendment

11. Amendments to the catalogue will be published when necessary. These will be numbered consecutively, and the amendment record sheet completed for each amendment list embodied. New or amended material will be highlighted by side lining to show the extent of the amendment.

Indentations

12. Items are listed in a logical assembly/disassembly order and are indented by the 'Dot System' in which each 'dot' depicts the relationship of the item to the main assembly.

MAIN ASSEMBLY

Attaching parts for main assembly.

. FIRST LEVEL OF BREAKDOWN (Sub-assembly or part of main assembly)

. Attaching parts for first level.

. . SECOND LEVEL OF BREAKDOWN (Sub-sub-assembly or detail part of Sub-assembly)

. . Attaching parts for second level.

Description

13. The item Description and Annotation Block is also to convey additional information to the CES user, which will appear in brackets i.e. related location detail, e.g. another AESP or Chapter/Item within this AESP.

RELATED AND ASSOCIATED PUBLICATIONS

Related publications

14. The Octad for the subject equipment consists of the publications shown below. All references are prefixed with the first eight digits of this publication. The availability of the publications can be checked by reference to the relevant Group Index (see AESP 0100-A-001-013).

Category/Sub-Category		Information Level				
		1 User/Operator	2 Unit Maintenance	3 Field Maintenance	4 Base Maintenance	
1	0	Purpose and Planning Information	101	101	101	101
	1	Equipment Support Policy Directives	*	*	*	*
2	0	Operating Information	*	*	*	*
	1	Aide Memoire	201	*	*	*
	2	Training Aids	*	*	*	*
3		Technical Description	*	*	*	*
4	1	Installation Instructions	*	*	*	*
	2	Preparation for Special Environments	*	*	*	*
5	1	Failure Diagnosis	*	*	*	*
	2	Repair Instructions	201	*	201	*
	3	Inspection Standards	201	*	*	*
	4	Calibration Procedures	*	*	*	*
6		Maintenance Schedules	201	201	201	*
7	1	Illustrated Parts Catalogues	711	711	711	711
	2	Commercial Parts Lists	*	*	*	*
	3	Complete Equipment Schedule, Production	*	*	*	*
	4	Complete Equipment Schedule, Service Edition (Simple Equipment)	741	741	741	741
	5	Complete Equipment Schedule, Service Edition (Complex Equipment)	*	*	*	*
8	1	Modification Instructions	*	*	*	*
	2	General Instructions, Special Technical Instructions and Servicing Instructions	*	*	*	*
	3	Service Engineered Modification Instructions (RAF only)	*	*	*	*

* Category/Sub-category not published.

Table 1: Related Publications

Associated publications

15. The following publications are associated with this AESP octad. None

ABBREVIATIONS

16. The following abbreviations are used in this AESP.

<u>Abbreviation</u>	<u>Nomenclature</u>
AESP	Army Equipment Support Publication
AFG	Army Form General
CES	Complete Equipment Schedule
DIN	Defence Instruction Notices
Fig	Figure
ft	feet (foot)
ft ³	feet cubed
in.	inch
IPC	Illustrated Parts Catalogue
kg	kilogram
lb	pound
LPC	Illustrated Parts Catalogue
m	metre
m ²	metres squared
m ³	metres cubed
mm	millimetres
NATO	North Atlantic Treaty Organisation
NI	Not Illustrated
NIV	Not in Vocabulary
NSCM	NATO Supply Code for Manufacturers
NSN	NATO Stock Number
Para	Paragraph
PPE	Personal Protective Equipment
RLC	Royal Logistics Corp
SOP	Standard Operating Procedures
TSP	Training Support Plan

WARNINGS AND CAUTIONS**HAZARDOUS SUBSTANCES**

17. Before using any hazardous substances or material, the user must be conversant with the safety precautions and first aid instructions:

- 17.1. On the label of the container it was supplied in.
- 17.2. On the material Safety Data Sheet.
- 17.3. In local Safety Orders and Regulations.

WARNINGS

- (1) **PERSONNEL INJURY/EQUIPMENT DAMAGE. SUFFICIENT PERSONNEL ARE REQUIRED WHEN LIFTING THE ASSEMBLED ROOF, THE MINIMUM IS ONE PERSON PER LEG.**
- (2) **PERSONNEL INJURY/CRUSH HAZARD. EXERCISE CAUTION WHEN ASSEMBLING POLES AND BRACKETS DUE TO THE RISK OF CRUSH INJURY TO FINGERS.**
- (3) **PERSONNEL INJURY. WHEN POLES ARE CURVED UNDER TENSION THERE IS A HIGH RISK THAT THEY MAY SLIP AND SPRING BACK TO THEIR STRAIGHT RELAXED POSITION. PERSONNEL SHOULD NOT POSITION THEMSELVES DIRECTLY IN FRONT OF THE POLES.**
- (4) **PERSONNEL INJURY/HEAVY WEIGHT. MINIMUM PERSONNEL NUMBERS REQUIRED TO LIFT OR MOVE THE SHELTER SHOULD BE OBSERVED.**
- (5) **PERSONNEL INJURY/BURN HAZARD. WHEN BURNING WEBBING TO PREVENT FRAYING, THE WEBBING WILL BECOME EXTREMELY HOT AND MELT.**
- (6) **PERSONNEL INJURY, WHEN FITTING OR RELEASING THE INSULATION TENSIONERS THERE IS A HIGH RISK THAT UNDER TENSION THEY MAY SLIP AND SPRING BACK AT PERSONNEL.**
- (7) **IT IS ESSENTIAL THAT THE BASE RESTRAINT STRAPS AND THE FRAME RESTRAINT STRAPS ARE FITTED TO THE FRAME BEFORE INSTALLING THE PVC COVERS. THIS ENSURES THAT THE FRAME IS RIDGID AND ENHANCES THE WIND RESISTANCE OF THE SHELTER AS WELL AS MAKING IT EASIER TO FIT THE COVERS.**
- (8) **WHEN REPAIRING PVC COVERS, THE TEXTILE NEEDS TO BE ABRAIDED. PVC DUST IS TOXIC AND SHOULD NOT BE INHALED. WEAR THE APPROPRIATE PPE.**
- (9) **WHEN REPAIRING PVC COVERS, A CONTACT ADHESIVE IS UTILISED. FOLLOW SAFETY DATA SHEET SUPPLIED WITH THE CONTACT ADHESIVE.**

CAUTIONS

- (1) **EQUIPMENT DAMAGE.** The shelter is to be pitched on firm level ground and it is essential that adequate anchorage or ballast be placed on the coated fabric sod cloths at the bottom of the wall and ends of the shelter. The listed tent pins or spoil from drainage trenches is suitable for this purpose and may be used in sandbags or other flexible containers, if available. Guy lines are also provided to give additional stability under high wind conditions.
- (2) **EQUIPMENT DAMAGE.** Wet textile should never be folded or packed unless circumstances render this unavoidable. Shelters should therefore be left to dry thoroughly before they are struck. If the shelter is not completely dry the officer in charge of the campsite or receiving unit is to be informed.
- (3) **EQUIPMENT DAMAGE.** All insulation panels can be added after the shelter has been erected EXCEPT the roof panel that must be attached to the frame prior to the covers.
- (4) **EQUIPMENT DAMAGE.** When lifting the roof, the supervisor must ensure that the lift is even along the length of the frame, thus avoiding distortion of the brackets and poles.
- (5) **EQUIPMENT DAMAGE.** The sunshade when fitted is to be erected prior to the shelter if possible or alternatively moved into position over the tent after assembly with the base restraint straps being added after it is in its final position. The ratchet straps should not be over tightened and never used if damaged.
- (6) **EQUIPMENT DAMAGE.** The shelter is to be erected on firm level ground, which has been cleared of any large stones or rubble.
- (7) **EQUIPMENT DAMAGE.** A power washer may be used at low pressure with warm water. Use judgement and caution regarding water pressure and temperature.
- (8) **EQUIPMENT DAMAGE.** Do not use solvents or detergents to clean the shelter as they will dissolve the protective coating on the fabric.
- (9) **EQUIPMENT DAMAGE.** Rips and tears must be repaired immediately to maintain the insulation integrity.
- (10) **EQUIPMENT DAMAGE.** The PVC covers are different from the cotton canvas covers in that they do not stretch. Fitting the end gables requires the frame to be in the correct position to fit the PVC cover spigots over the frame extensions using the appropriate straps. Do not under any circumstances force the canvas into position or use frame parts to lever the canvas into position.

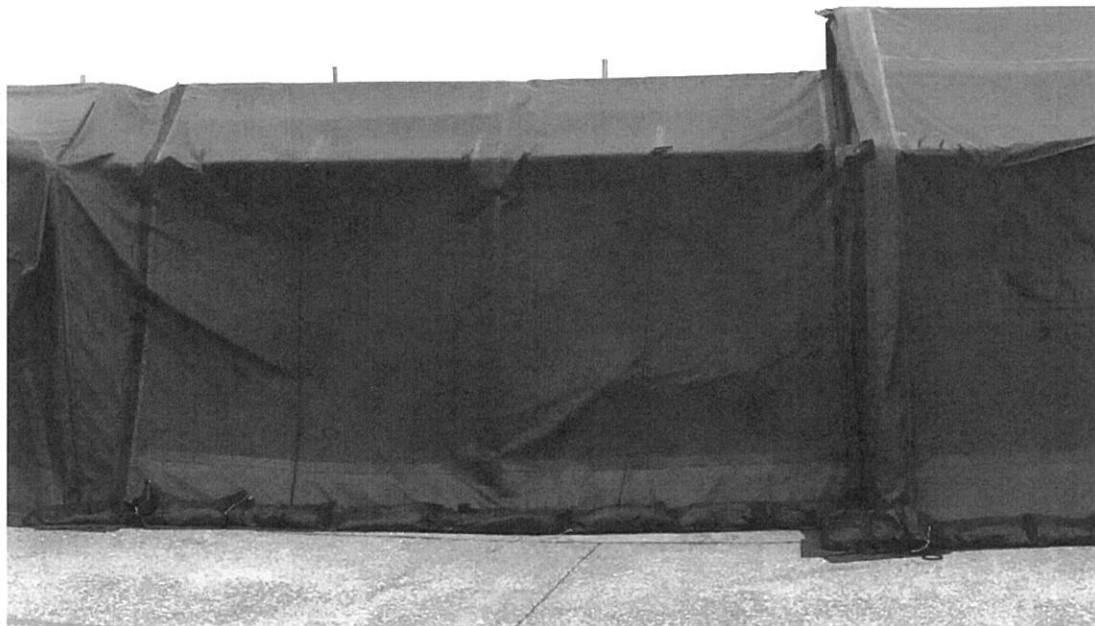
CHAPTER 1
GENERAL INFORMATION

CONTENTS

CHAPTER 1 1
GENERAL INFORMATION 1
CONTENTS 1
MAIN CES LIST FOR 8340-99-130-2183 3
 CES FOR HARD FLOORING NSN 8340-99-958-8986 4

Fig **Page**
Figure 1: Shelter, Passageway 3.6 m x 1.8 m (12 FT x 6 FT) Mk 4 (connected to 12 x 12 and 4 way connector)..... 1
Figure 2: NSN 8340-99-130-2183 Family Tree 2

Table **Page**
Table 2: Index of Illustrations NSN 8340-99-130-2183 3
Table 3: Hard Floor NSN 8340-99-958-8986 4



**Figure 1: Shelter, Passageway 3.6 m x 1.8 m (12 FT x 6 FT) Mk 4
(connected to 12 x 12 and 4 way connector)**

1. The equipment is designated:

SHELTER, PASSAGEWAY 3.6 m X 1.8 m (12 FT X 6 FT) MK 4
NATO Stock no 8340-99-130-2183

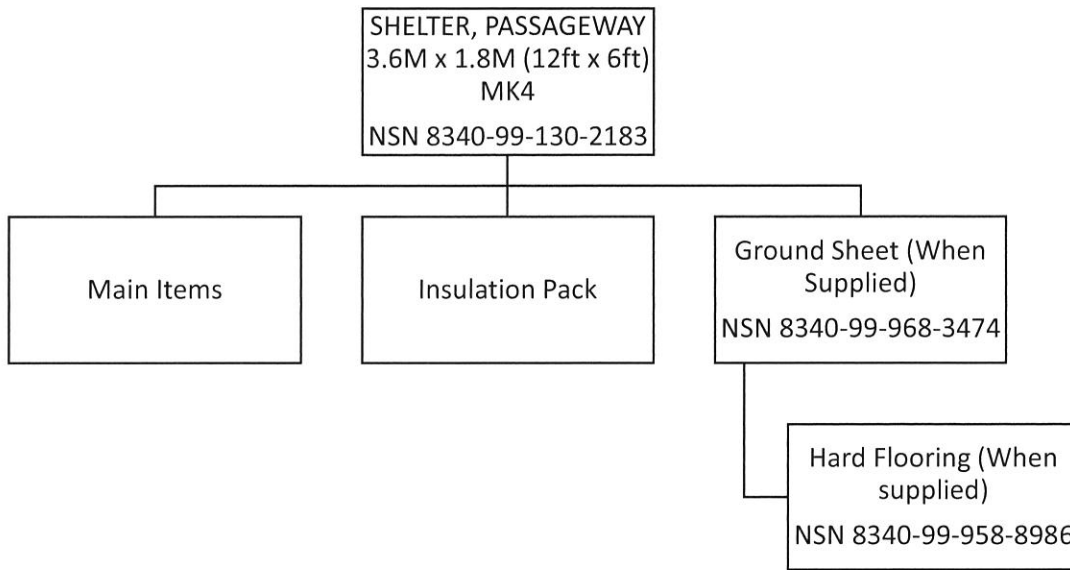


Figure 2: NSN 8340-99-130-2183 Family Tree

MAIN CES LIST FOR 8340-99-130-2183

Fig. No Item No	Army		Item Description and Annotations	No Off D of Q	Annotation (NSCM)
	DMC NSCM	NSN Part Number			
0	J11	8340-99-130-2183	SHELTER, PASSAGEWAY 3.6 m X 1.8 m (12 FT X 6 FT) Mk 4	1	
1	J11	8340-99-130-2183	MAIN ITEMS	N/A	CHAP 2-1, FIG 3 & 4
2	J11		INSULATION PACK	N/A	CHAP 2-2, FIG 5

Table 2: Index of Illustrations NSN 8340-99-130-2183

CES FOR HARD FLOORING NSN 8340-99-958-8986

Fig. No Item No	Army		Item Description and Annotations	No Off D of Q	Annotation (NSCM)
	DMC NSCM	NSN Part Number			
(6) 1	J11	8340-99-958-8986 (8340-99-551-0054)	HARD FLOORING (m ²)	17 m ²	CHAP 2-3, FIG 6

Table 3: Hard Floor NSN 8340-99-958-8986

CHAPTER 2

SHELTER, PASSAGEWAY

3.6 M x 1.8 M (12 FT x 6 FT) MK 4

CONTENTS

Chapter

- 2-1 Main Items 8340-99-130-2183
- 2-2 Insulation Pack
- 2.3 Flooring
- 2-4 Repair Kit

THIS PAGE INTENTIONALLY BLANK

CHAPTER 2-1
COMPLETE EQUIPMENT SCHEDULE (CES)
MAIN ITEMS FOR NSN 8340-99-130-2183

CONTENTS

CHAPTER 2-1	1
COMPLETE EQUIPMENT SCHEDULE (CES).....	1
MAIN ITEMS FOR NSN 8340-99-130-2183.....	1
CONTENTS.....	1
SHELTER MAIN ITEMS FOR NSN 8340-99-130-2183	3

Fig	Page
Figure 3: Shelter, PASSAGEWAY 3.6 m x 1.8 m (12 ft x 6 ft) Mk4	2
Figure 4: Shelter, PASSAGEWAY 3.6 m x 1.8 m (12 ft x 6 ft) Mk4 continued.....	4
Figure 3: Shelter, PASSAGEWAY 3.6 m x 1.8 m (12 ft x 6 ft) Mk4	2
Figure 4: Shelter, PASSAGEWAY 3.6 m x 1.8 m (12 ft x 6 ft) Mk4 continued.....	4

Table	Page
Table 4: Shelter Main Items	3
Table 5: Shelter Main Items continued.....	5

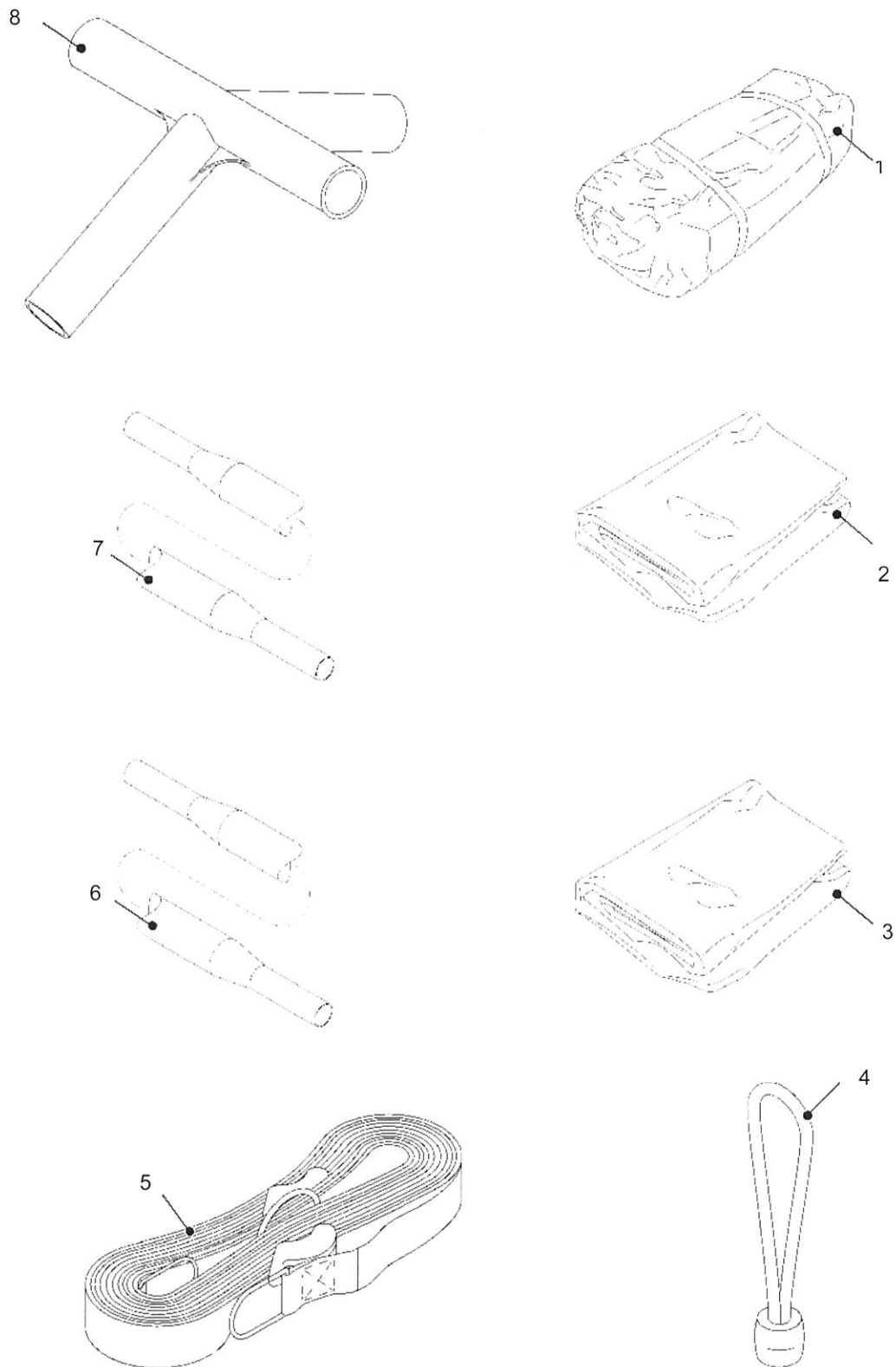


Figure 3: Shelter, PASSAGEWAY 3.6 m x 1.8 m (12 ft x 6 ft) Mk4

SHELTER MAIN ITEMS FOR NSN 8340-99-130-2183

Fig. No Item No	Army		Item Description and Annotations	No Off D of Q	Quantity on Issue
	DMC NSCM	NSN Part Number			
(3) 1	J11	8340-99-380-1742 (8340-99-230-0107)	ROOF AND WALLS	(3)	1
(3) 2	J11	8340-99-997-8442 (8340-99-228-3659)	END SECTION MK 4	(3)	2
(3) 3	J11	8340-99-968-3474	GROUND SHEET	(3)	3
(3) 4	J11	8340-99-865-3035	TENSIONER, LINER AND GROUNDSHEET	(3)	4
(3) 5	J11	8340-99-490-4093	OVERSTRAP, PASSAGEWAY	(3)	5
(3) 6	J11	8340-99-132-0006	UNIVERSAL MEMBER 6 FT	(3)	6
(3) 7	J11	8340-99-132-0007	UNIVERSAL MEMBER 3 FT	(3)	7
(3) 8	J11	8340-99-132-0008	RIDGE AND EAVES BRACKET	(3)	8

Table 4: Shelter Main Items

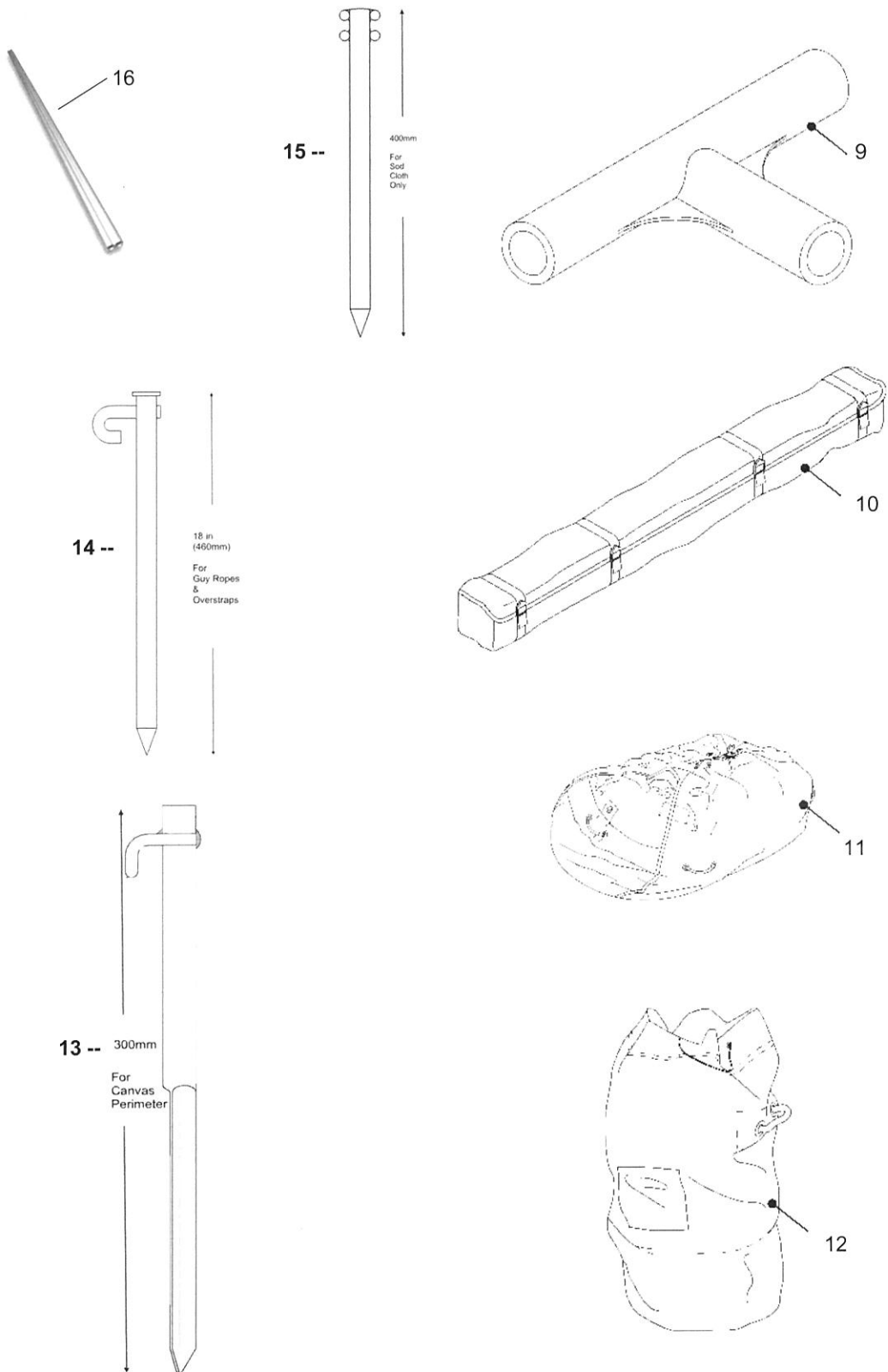


Figure 4: Shelter, PASSAGEWAY 3.6 m x 1.8 m (12 ft x 6 ft) Mk4 continued

Fig. No Item No	Army		Item Description and Annotations	No Off D of Q	Quantity on Issue
	DMC NSCM	NSN Part Number			
(4) 9	J11	8340-99-132-0010	BASE, BRACKET	(4)	9
(4) 10	J11	8340-99-943-1158	BAG, TENT FRAME POLES	(4)	10
(4) 11	J11	8340-99-212-1648	VALISE, TENT	(4)	11
(4) 12	J11	8340-99-499-9176	BAG, TENT FRAME BRACKETS	(4)	12
(4) 13	F1	9390-99-132-0028	PIN, TENT 300 MM STEEL	(4)	13
(4) 14	J11	8340-99-943-9052	PIN, TENT 18 IN. STEEL	(4)	14
(4) 15	J11	5120-99-137-3895	PIN, TENT 400 MM STEEL	(4)	15
(4) 16	J11	9390-99-477-5695	KEDER RAIL	(4)	16

Table 5: Shelter Main Items continued

NOTE

Item 16 of Table 5 is only required when utilising the keder system to connect the tent, this is not required if utilising dutch lacing.

THIS PAGE INTENTIONALLY BLANK

CHAPTER 2-2
COMPLETE EQUIPMENT SCHEDULE (CES)
INSULATION PACK

CONTENTS

CHAPTER 2-2	1
COMPLETE EQUIPMENT SCHEDULE (CES).....	1
INSULATION PACK	1
CONTENTS	1

Fig	Page
Figure 5: Shelter, Porch Insulation Pack	Error! Bookmark not defined.

Table	Page
Table 6: Insulation Pack Main Items	3

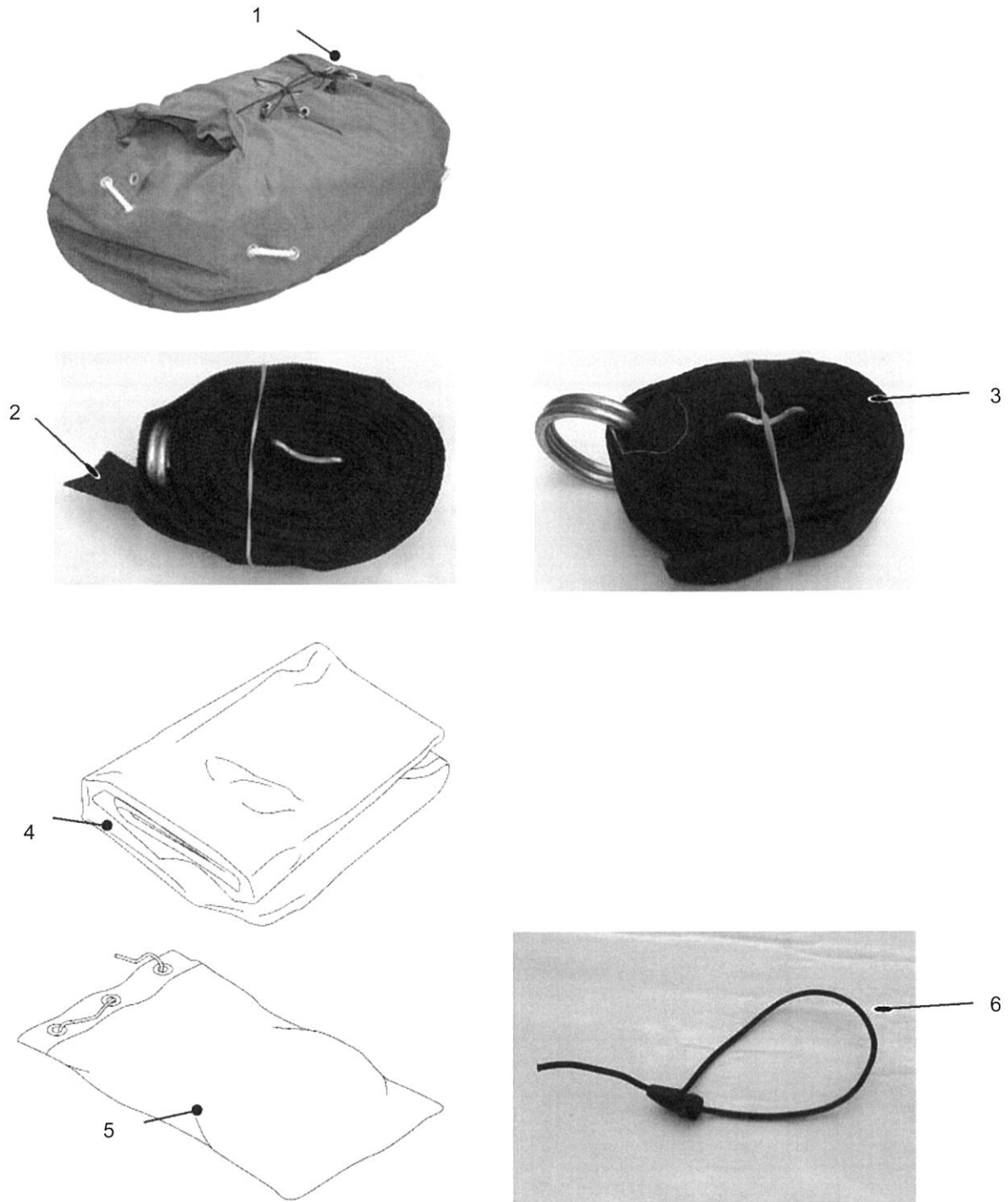


Figure 5: Shelter, Passageway Insulation Pack

Fig. No Item No	Army		Item Description and Annotations	No Off D of Q	Quantity on Issue
	DMC NSCM	NSN Part Number			
(5) 1	J11	8340-99-216-3569	BAG TRANSIT & STORAGE INSULATION	(5)	1
(5) 2	J11	8340-99-614-5444	STRAP, ADJUSTABLE ROOF RESTRAINT	(5)	2
(5) 3	J11	8340-99-391-3314	STRAP, ADJUSTABLE INSULATION SUPPORT	(5)	3
(5) 4	J11	8340-99-898-1096	INSULATION PANEL, ROOF & WALL	(5)	4
(5) 5	F1	8340-99-226-2816	INSULATION PANEL, END WALL MK4	(5)	5
(5) 5	F1	8340-99-153-6625	COMPONENT NO 1 INSULATION PANEL, END WALL MK4 (Sub- Component of 8340-99-226-2816)	(5)	5
(5) 5	F1	8340-99-839-8746	COMPONENT NO 2 INSULATION PANEL, END WALL MK4 (Sub- Component of 8340-99-226-2816)	(5)	5
(5) 5	F1	8340-99-741-6210	COMPONENT NO 3 INSULATION PANEL, END WALL MK4 (Sub- Component of 8340-99-226-2816)	(5)	5
(5) 6	J11	5120-99-474-7838	BAG, TRANSIT & STORAGE STRAP SET, GS SHELTER VARIOUS	(5)	6
(5) 7	J11	9390-99-908-8176	TENSIONER	(5)	7

Table 6: Insulation Pack Main Items

CHAPTER 2-3

COMPLETE EQUIPMENT SCHEDULE (CES)

HARD FLOORING FOR NSN 8430-99-958-8986

CONTENTS

CHAPTER 2-3	1
COMPLETE EQUIPMENT SCHEDULE (CES).....	1
HARD FLOORING FOR NSN 8430-99-958-8986	1
CONTENTS.....	1
HARD FLOORING LIST NSN 8340-99-958-8986	3

Fig	Page
Figure 6: Hard Flooring.....	2

Table	Page
Table 7: Hard Floor NSN 8340-99-958-8986	3

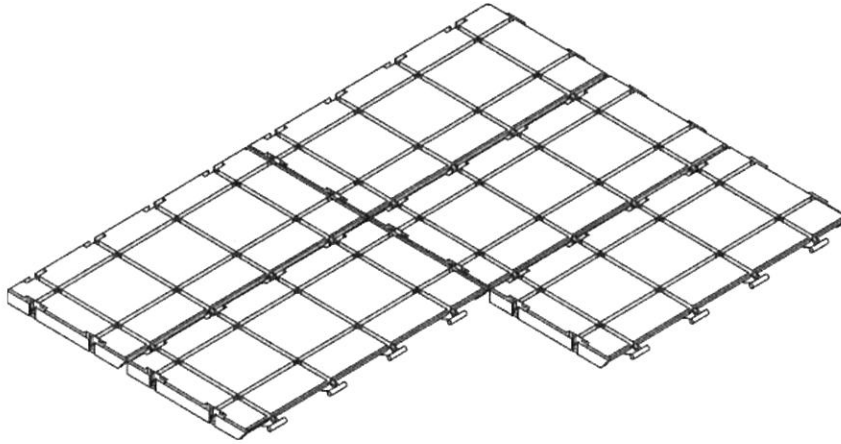


Figure 6: Hard Flooring

HARD FLOORING LIST NSN 8340-99-958-8986

Fig. No Item No	Army		Item Description and Annotations	No Off D of Q	Quantity on Issue
	DMC NSCM	NSN Part Number			
(6) 1	J11	8340-99-958-8986 (8340-99-551-0054)	HARD FLOORING (m ²)	17 m ²	

Table 7: Hard Floor NSN 8340-99-958-8986

THIS PAGE INTENTIONALLY BLANK

CHAPTER 2-4
COMPLETE EQUIPMENT SCHEDULE (CES)

REPAIR KIT

CONTENTS

CHAPTER 2-4	1
COMPLETE EQUIPMENT SCHEDULE (CES).....	1
REPAIR KIT	1
CONTENTS	1
Fig	Page
Figure 7: Repair Kit.....	2
Table	Page
Table 8: Repair Kit NSN 8340-99-362-8303	3

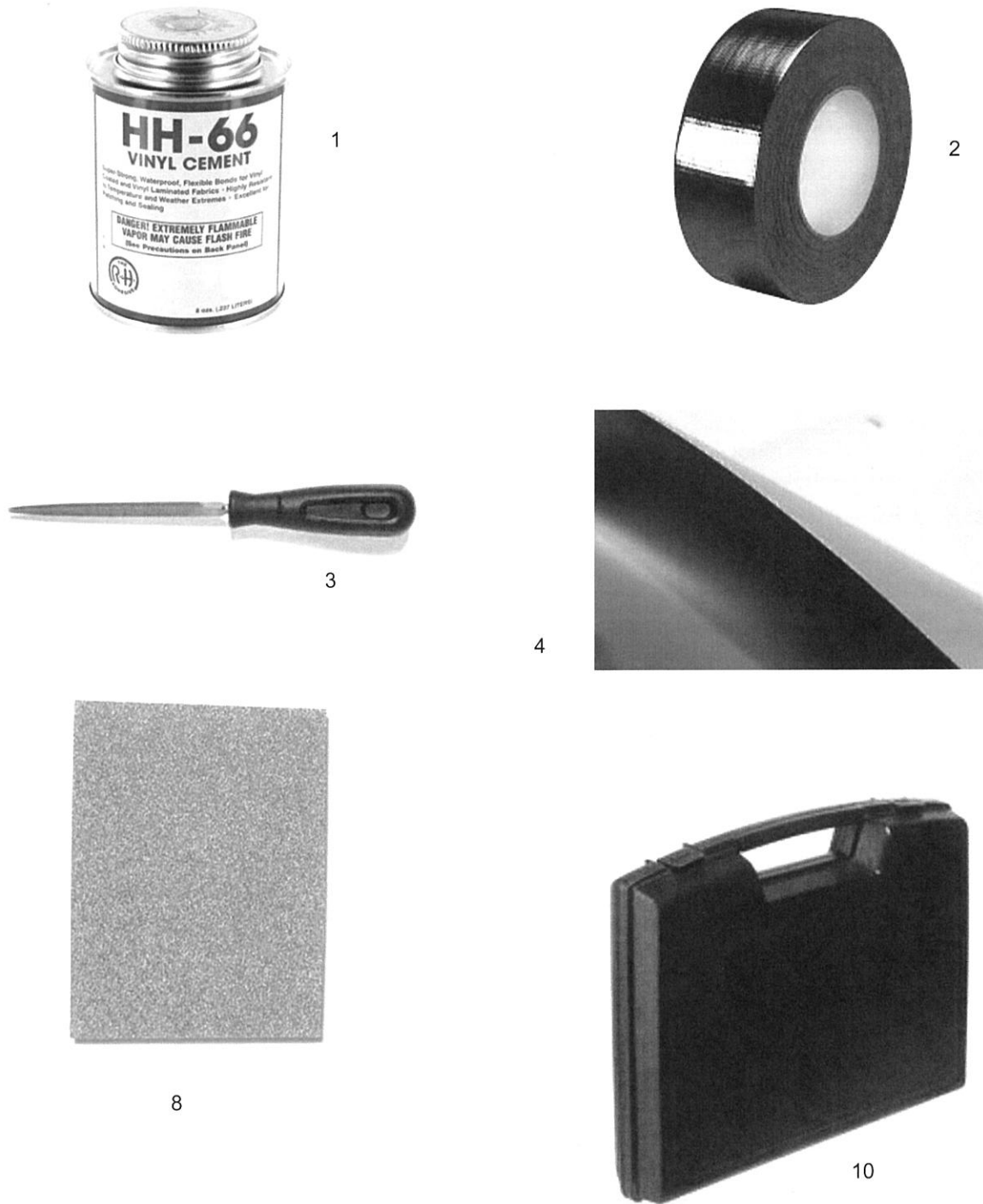


Figure 7: Repair Kit

Fig. No Item No	Army		Item Description and Annotations	No Off D of Q	Quantity on Issue
	DMC NSCM	NSN Part Number			
0	J11	8340-99-362-8303	REPAIR KIT, TENTAGE	1	
(7) 1		HH-66-236ml	HH-66 VINYL CEMENT – TIN 236ml	1 EA	
(7) 2		002041	BLACK ADHESIVE TAPE	1 EA	
(7) 3		002044	TRIANGULAR FILE	1 EA	
(7) 4		003/P5001	STANDARD FABRIC - GREEN GREY	1 m ²	
(7) NI 5		004/P5001	OFCS FABRIC - GREEN GREEN	1 m ²	
(6) NI 6		005/P5001	FLOOR FABRIC - GREEN	1m ²	
(7) NI 7		006/P5001	FLY SCREEN MATERIAL	1m ²	
(7) 8		002045	SANDING PAPER	1 EA	
(7) 9		002042	CUTTER 18mm	1 EA	
(7) 10		004402	PLASTIC BOX	1 EA	
(7) NI 11		007/P5001	REPAIR INSTRUCTION SHEET	1 EA	
(7) NI 12		HH-66 & PVC Canvas	SAFETY DATA SHEET	1 EA	

Table 8: Repair Kit NSN 8340-99-362-8303

THIS PAGE INTENTIONALLY BLANK

CHAPTER 3

INDEXES

CONTENTS

CHAPTER 3 1
INTRODUCTION 1

INTRODUCTION

2. This Chapter identifies the indexes provided in support to the main parts list.

THIS PAGE INTENTIONALLY BLANK

CHAPTER 3-1

INDEX OF NATO STOCK NUMBERS

CONTENTS

CHAPTER 3-1	1
INDEX OF NATO STOCK NUMBERS	1
INDEX OF NATO STOCK NUMBERS	2
Table	Page
Table 9: Index of NATO Stock Number	2

CHAPTER 3-2

INDEX OF MANUFACTURERS' PART/DRAWING NUMBERS

TO

CHAPTER, FIGURE AND ITEM NUMBERS

CONTENTS

CHAPTER 3-2	1
INDEX OF MANUFACTURERS' PART/DRAWING NUMBERS	1
INDEX OF MANUFACTURERS' PART/DRAWING NUMBERS	2
Table	Page
Table 10: Index of Manufacturers' Part Numbers	2

ARMY EQUIPMENT AND SUPPORT PUBLICATION (AESP) AND ELECTRICAL AND
MECHANICAL ENGINEERING REGULATIONS (EMER) - FORM 10

*AESP/EMER NUMBER:		*IS THIS SAFETY RELATED? Yes <input type="checkbox"/> No <input type="checkbox"/>					
Send Form 10 via the Email or Post address. However email is <u>preferred</u> .		Tel: [REDACTED] or [REDACTED]					
Email: [REDACTED]		Post to: [REDACTED]					
(To email this form send as a copy to the email address above)							
ORIGINATORS DETAILS							
*Address		*Name					
		Rank / Grade					
		*Phone					
		*Senders Reference					
		*Date Raised					
*E-Mail	Eqpt Asset Code (if applicable)						
AESP/EMER DETAILS							
*Full Title of AESP/EMER (Not the AESP/EMER Number)							
*Edition	*Amendment	*Chapter	*Page	*Paragraph	Figure	Instruction	Other
*Comments: If additional information is to be supplied, please e-mail with the Form 10 as separate attachments.							
FORM 10 CELL USE							
*Date Received		*Form 10 Reference					
*Date Sent to PT / SME		Problem Report					
PROJECT TEAM / SME RESPONSE TO COMMENTS:							
Project Team (PT) / SME		*Sponsors Name					
*Phone		Rank / Grade					
*Email		*Date Received					
*The following action is to be carried out:		Mark:	Mark:				
Issue a revised/amended AESP/EMER:		Under investigation:					
Incorporate comment(s) in future amendments:		No action required:					
Remarks:							
SPONSOR/PT FINAL CLOSURE STEPS		Mark:	Date:				
Form 10 Originator notified of the action taken:							

AESP Form 10 (Issue 6.2 dated July 13)

* Mandatory Fields for Originator

* Mandatory Fields for Sponsor.

**ARMY EQUIPMENT AND SUPPORT PUBLICATION (AESP) AND ELECTRICAL AND
MECHANICAL ENGINEERING REGULATIONS (EMER) - FORM 10**

Form 10 Guidance

Form 10 can be found within the AESP or, as a template, from the JAMES Portal (Hot Topic – Forms) & TDOL (FORM10).

Originator responsibility is to enter the following details marked *:

- In the **AESP/EMER Number:** cell enter the full document number e.g. AESP 1256-I-400-711.
- Is this **Safety Related?** – select Yes or No as appropriate.
- Originator Details:
 - Full address Inc Post Code or BFPO NO.
 - Originator email address
 - Senders Reference – that must be unique.
- AESP Details shall enter the following details:
 - The Full Title of AESP/EMER should not include the AESP/EMER Number
 - Enter details in all other mandatory fields marked *.
 - Additional information relating to the Comments (AESP copies, additional text details or photographs) should be attached to the Email at the same time.
- Originator makes up the Form 10 & Sends to Form 10 cell via
 - Post to [REDACTED] address.
 - Email to [REDACTED]
 - **Any AESP that holds a Security marking higher than 'Restricted' should be securely circulated.**

FORM 10 CELL responsibilities:

The Form 10 Cell enters:

- Date Received
- Form 10 Reference
- Date sent to Sponsor
- Register all Form 10 details in the MOSS Form 10 Tracker.

Sponsor Responsibility

The Sponsor will:

- Enter their name, email address & phone contact details.
- Enter Date Received
- Enter Details in the non-mandatory field as & when required.
- Acknowledge receipt of Form 10, within 5 working days, by email to Form 10 Cell.
- Assess the contents of comments and details received.
- Mark the relevant Action box and fill out the Remarks field.
- Enter date when the Form 10 is returned to Form 10 Cell.
- Email copy of completed Form 10, within 6 weeks, to the Form 10 Cell and Originator.

Form 10 Cell on receipt will:

- Record final stage of the Form 10 into the MOSS Form 10 Tracker.
- Close off the Form 10 and archive.

AESP Form 10 (Issue 6.2 dated July 13)

* Mandatory Fields for Originator

* Mandatory Fields for Sponsor.



Ministry of Defence

**SHELTER, PORCH
1.8 M x 1.8 M (6 FT x 6 FT)**

NSN 8340-99-225-8188

COMPLETE EQUIPMENT SCHEDULE (CES)

THIS DOCUMENT IS THE PROPERTY OF HER BRITANNIC MAJESTY'S GOVERNMENT, and is issued for the information of such persons only as need to know its contents in the course of their official duties. Any person finding this document should hand it to a British forces unit or to a police station for its safe return to the MINISTRY OF DEFENCE DBR DefSy, MAIN BUILDING, WHITEHALL, LONDON SW1A 2HB with particulars of how it was found. THE UNAUTHORIZED RETENTION OR DESTRUCTION OF THIS DOCUMENT MAY BE AN OFFENCE UNDER THE OFFICIAL SECRETS ACTS OF 1911-1989. (When released to persons outside Government service, this document is issued on a personal basis. The recipient to whom it may be entrusted in confidence, within the provision of the Official Secrets Acts 1911-1989, is personally responsible for its safe custody and for seeing that its contents are disclosed only to authorized persons).

Sponsored for use in the
**UNITED KINGDOM MINISTRY OF DEFENCE
AND ARMED FORCES**

By

██
██

CONDITIONS OF RELEASE

~~This information is released by the UK Government for Defence purposes only.~~

~~This information must be afforded the same degree of protection as that afforded to information of an equivalent classification originated by the recipient Government or as required by the recipient Government's National Security regulations.~~

~~This information may be disclosed only within the Defence Department of the recipient Government, except as otherwise authorized by the Ministry of Defence (Army).~~

This information may be subject to privately owned rights.

© CROWN COPYRIGHT RESERVED

AMENDMENT RECORD

Amdt No	Incorporated By (Signature)	Date
1		
2		
3		
4		
5		
6		
7		
8		
9		
10		
11		
12		
13		
14		
15		
16		
17		
18		
19		
20		
21		
22		
23		
24		
25		
26		
27		
28		
29		
30		
31		

Amdt No	Incorporated By (Signature)	Date
32		
33		
34		
35		
36		
37		
38		
39		
40		
41		
42		
43		
44		
45		
46		
47		
48		
49		
50		
51		
52		
53		
54		
55		
56		
57		
58		
59		
60		
61		
62		

THIS PAGE INTENTIONALLY BLANK

CONTENTS

PRELIMINARY MATERIAL	Page
Front Cover (title page).....	i
Conditions of Release.....	ii
AMENDMENT RECORD.....	iii
CONTENTS.....	v
PREFACE.....	vi
INTRODUCTION.....	vi
Instructions for use by Units.....	vi
Initial issues by Royal Logistic Corps.....	vi
In lieu items.....	vii
General Notes.....	vii
Amendment.....	vii
Indentations.....	vii
Description.....	vii
RELATED AND ASSOCIATED PUBLICATIONS.....	viii
Related Publications.....	viii
Associated Publications.....	ix
ABBREVIATIONS.....	ix
WARNINGS AND CAUTIONS.....	x

ILLUSTRATED PARTS CATALOGUE (IPC)

- (1)
- (2) 1 General Information
- (3) 2 Main Assemblies
- (4) 2-1 Parts List 8340-99-225-8188
- (5) 2.2 Insulation Pack
- (6) 2-3 Flooring
- (7) 2-4 Repair Kit
- (8) 3 Indexes
- (9) 3-1 Index of NSN to Chapter and Page
- (10) 3-1 Index of Manufacturers Part Number/Drawing Numbers

PREFACE

Sponsor:	DE&S OI
Project Number:	-
File Ref:	-
Publication Agency:	OI

INTRODUCTION

1. Any comments by service users on this publication should be forwarded through the channels prescribed in JSP (D) 543. The AESP Form 10 is now in an electronic format and must be used for forwarding comments on this AESP.
2. AESPs are issued under UK MOD authority and where AESPs specify action is to be taken, the AESP will of itself be sufficient authority for such action and also for the demanding of the necessary stores, subject to the provisions of Para 3 below.
3. The subject matter of this publication may be affected by Defence Instructions and Notices (DIN), Standard Operating Procedures (SOP) or by local regulations. When any such instruction, order or regulation contradicts any portion of this publication it is to be taken as the overriding authority.
4. The subject matter of this publication details information specific to Shelter, Porch 1.8 M x 1.8 M (6 ft x 6 ft) MK 4.
5. This Complete Equipment Schedule (CES) is designed as an aid to the identification of components, parts or assemblies of parts of the equipment and to provide information necessary for demanding spares.
6. This CES may list some or all of the parts comprising the equipment concerned, but only those parts assigned a NATO Stock Number, Service Catalogue or Reference Number will normally be available as spares. Should there be a requirement for an item not assigned a number, demands may be submitted quoting the AESP, Item Number, Figure Reference and Item Name. Where a manufacturers reference is known, this should also be quoted.

Instructions for use by Units

7. Detailed instructions for use by Units are given in JSP866 Volume 4, Part 200, Supply of Material.

Initial issues by Royal Logistic Corps

8. Initial issues as detailed below:
 - 8.1. One copy of the CES will be attached to the Unit's copy of the issue voucher and one further copy to accompany every equipment.
 - 8.2. Deficiencies (if any) will be annotated on the covering issue voucher by reference to the serial number of the items list in the simple CES.
 - 8.3. 'To follow' vouchers will not be created.
 - 8.4. All items listed in the CES can be issued separately. If any listed herein becomes unserviceable it should be extracted and exchanged and the equipment retained pending receipt. Transfers between equipment holders should normally be complete to CES.

In lieu items

9. Authorised 'in lieu' items held against this CES will not be replaced, until they are no longer serviceable. When replacement becomes necessary the correct item, as listed in the CES, will be demanded.

General Notes

10. Certain items may be annotated as follows:

10.1. (E) - Expendable stores, consumable stores and material, 'NON LEDGER' spare parts of minor value.

10.2. (X) - ESSENTIAL ITEMS without which the RLC will not issue the equipment.

10.3. (*) - Indicates the accountability classification of the item.

10.4. (NI) - (Not illustrated) when appearing with a number in the 'Fig Item' column indicates that the item is not illustrated.

10.5. (NIV) - (Not in Vocabulary) indicates that the item is not available within the Stores System.

Amendment

11. Amendments to the catalogue will be published when necessary. These will be numbered consecutively, and the amendment record sheet completed for each amendment list embodied. New or amended material will be highlighted by side lining to show the extent of the amendment.

Indentations

12. Items are listed in a logical assembly/disassembly order and are indented by the 'Dot System' in which each 'dot' depicts the relationship of the item to the main assembly.

MAIN ASSEMBLY

Attaching parts for main assembly.

. FIRST LEVEL OF BREAKDOWN (Sub-assembly or part of main assembly)

. Attaching parts for first level.

. . SECOND LEVEL OF BREAKDOWN (Sub-sub-assembly or detail part of Sub-assembly)

. . Attaching parts for second level.

Description

13. The item Description and Annotation Block is also to convey additional information to the CES user, which will appear in brackets i.e. related location detail, e.g. another AESP or Chapter/Item within this AESP.

RELATED AND ASSOCIATED PUBLICATIONS**Related Publications**

14. The Octad for the subject equipment consists of the publications shown below. All references are prefixed with the first eight digits of this publication. The availability of the publications can be checked by reference to the relevant Group Index (see AESP 0100-A-001-013).

Category/Sub-Category		Information Level				
		1 User/Operator	2 Unit Maintenance	3 Field Maintenance	4 Base Maintenance	
1	0	Purpose and Planning Information	101	101	101	101
	1	Equipment Support Policy Directives	*	*	*	*
2	0	Operating Information	*	*	*	*
	1	Aide Memoire	201	*	*	*
	2	Training Aids	*	*	*	*
3		Technical Description	*	*	*	*
4	1	Installation Instructions	*	*	*	*
	2	Preparation for Special Environments	*	*	*	*
5	1	Failure Diagnosis	*	*	*	*
	2	Repair Instructions	201	*	201	*
	3	Inspection Standards	201	*	*	*
	4	Calibration Procedures	*	*	*	*
6		Maintenance Schedules	201	201	201	*
7	1	Illustrated Parts Catalogues	711	711	711	711
	2	Commercial Parts Lists	*	*	*	*
	3	Complete Equipment Schedule, Production	*	*	*	*
	4	Complete Equipment Schedule, Service Edition (Simple Equipment)	741	741	741	741
	5	Complete Equipment Schedule, Service Edition (Complex Equipment)	*	*	*	*
8	1	Modification Instructions	*	*	*	*
	2	General Instructions, Special Technical Instructions and Servicing Instructions	*	*	*	*
	3	Service Engineered Modification Instructions (RAF only)	*	*	*	*

* Category/Sub-category not published.

Table 1: Related Publications

Associated Publications

15. The following publications are associated with this AESP octad. None

ABBREVIATIONS

16. The following abbreviations are used in this AESP.

<u>Abbreviation</u>	<u>Nomenclature</u>
AESP	Army Equipment Support Publication
AFG	Army Form General
CES	Complete Equipment Schedule
DIN	Defence Instruction Notices
Fig	Figure
ft	feet (foot)
ft ³	feet cubed
in.	inch
IPC	Illustrated Parts Catalogue
kg	kilogram
lb	pound
LPC	Illustrated Parts Catalogue
m	metre
m ²	metres squared
m ³	metres cubed
mm	millimetres
NATO	North Atlantic Treaty Organisation
NI	Not Illustrated
NIV	Not in Vocabulary
NSCM	NATO Supply Code for Manufacturers
NSN	NATO Stock Number
Para	Paragraph
PPE	Personal Protective Equipment
RLC	Royal Logistics Corp
SOP	Standard Operating Procedures
TSP	Training Support Plan

WARNINGS AND CAUTIONS**HAZARDOUS SUBSTANCES**

17. Before using any hazardous substances or material, the user must be conversant with the safety precautions and first aid instructions:

- 17.1. On the label of the container it was supplied in.
- 17.2. On the material Safety Data Sheet.
- 17.3. In local Safety Orders and Regulations.

WARNINGS

- (1) **PERSONNEL INJURY/EQUIPMENT DAMAGE. SUFFICIENT PERSONNEL ARE REQUIRED WHEN LIFTING THE ASSEMBLED ROOF, THE MINIMUM IS ONE PERSON PER LEG.**
- (2) **PERSONNEL INJURY/CRUSH HAZARD. EXERCISE CAUTION WHEN ASSEMBLING POLES AND BRACKETS DUE TO THE RISK OF CRUSH INJURY TO FINGERS.**
- (3) **PERSONNEL INJURY. WHEN POLES ARE CURVED UNDER TENSION THERE IS A HIGH RISK THAT THEY MAY SLIP AND SPRING BACK TO THEIR STRAIGHT RELAXED POSITION. PERSONNEL SHOULD NOT POSITION THEMSELVES DIRECTLY IN FRONT OF THE POLES.**
- (4) **PERSONNEL INJURY/HEAVY WEIGHT. MINIMUM PERSONNEL NUMBERS REQUIRED TO LIFT OR MOVE THE SHELTER SHOULD BE OBSERVED.**
- (5) **PERSONNEL INJURY/BURN HAZARD. WHEN BURNING WEBBING TO PREVENT FRAYING, THE WEBBING WILL BECOME EXTREMELY HOT AND MELT.**
- (6) **PERSONNEL INJURY, WHEN FITTING OR RELEASING THE INSULATION TENSIONERS THERE IS A HIGH RISK THAT UNDER TENSION THEY MAY SLIP AND SPRING BACK AT PERSONNEL.**
- (7) **IT IS ESSENTIAL THAT THE BASE RESTRAINT STRAPS AND THE FRAME RESTRAINT STRAPS ARE FITTED TO THE FRAME BEFORE INSTALLING THE PVC COVERS. THIS ENSURES THAT THE FRAME IS RIDGID AND ENHANCES THE WIND RESISTANCE OF THE SHELTER AS WELL AS MAKING IT EASIER TO FIT THE COVERS.**
- (8) **WHEN REPAIRING PVC COVERS, THE TEXTILE NEEDS TO BE ABRAIDED. PVC DUST IS TOXIC AND SHOULD NOT BE INHALED. WEAR THE APPROPRIATE PPE.**
- (9) **WHEN REPAIRING PVC COVERS, A CONTACT ADHESIVE IS UTILISED. FOLLOW SAFETY DATA SHEET SUPPLIED WITH THE CONTACT ADHESIVE.**

CAUTIONS

- (1) **EQUIPMENT DAMAGE.** The shelter is to be pitched on firm level ground and it is essential that adequate anchorage or ballast be placed on the coated fabric sod cloths at the bottom of the wall and ends of the shelter. The listed tent pins or spoil from drainage trenches is suitable for this purpose and may be used in sandbags or other flexible containers, if available. Guy lines are also provided to give additional stability under high wind conditions.
- (2) **EQUIPMENT DAMAGE.** Wet textile should never be folded or packed unless circumstances render this unavoidable. Shelters should therefore be left to dry thoroughly before they are struck. If the shelter is not completely dry the officer in charge of the campsite or receiving unit is to be informed.
- (3) **EQUIPMENT DAMAGE.** All insulation panels can be added after the shelter has been erected EXCEPT the roof panel that must be attached to the frame prior to the covers.
- (4) **EQUIPMENT DAMAGE.** When lifting the roof, the supervisor must ensure that the lift is even along the length of the frame, thus avoiding distortion of the brackets and poles.
- (5) **EQUIPMENT DAMAGE.** The sunshade when fitted is to be erected prior to the shelter if possible or alternatively moved into position over the tent after assembly with the base restraint straps being added after it is in its final position. The ratchet straps should not be over tightened and never used if damaged.
- (6) **EQUIPMENT DAMAGE.** The shelter is to be erected on firm level ground, which has been cleared of any large stones or rubble.
- (7) **EQUIPMENT DAMAGE.** A power washer may be used at low pressure with warm water. Use judgement and caution regarding water pressure and temperature.
- (8) **EQUIPMENT DAMAGE.** Do not use solvents or detergents to clean the shelter as they will dissolve the protective coating on the fabric.
- (9) **EQUIPMENT DAMAGE.** Rips and tears must be repaired immediately to maintain the insulation integrity.
- (10) **EQUIPMENT DAMAGE.** The PVC covers are different from the cotton canvas covers in that they do not stretch. Fitting the end gables requires the frame to be in the correct position to fit the PVC cover spigots over the frame extensions using the appropriate straps. Do not under any circumstances force the canvas into position or use frame parts to lever the canvas into position.

CHAPTER 1
GENERAL INFORMATION

CONTENTS

CHAPTER 1 1
GENERAL INFORMATION 1
CONTENTS 1
INDEX OF ILLUSTRATIONS FOR 8340-99-225-8188 3
 INDEX OF ILLUSTRATIONS FOR HARD FLOORING NSN 8340-99-958-8986 4

Fig **Page**
Figure 1: Shelter, Porch 1.8 m x 1.8 m (6 FT x 6 FT) Mk 4 (connected to 12 x 12) 1
Figure 2: NSN 8340-99-225-8188 Family Tree 2

Table **Page**
Table 2: Index of Illustrations NSN 8340-99-225-8188 3
Table 3: Hard Floor NSN 8340-99-958-8986 4



Figure 1: Shelter, Porch 1.8 m x 1.8 m (6 FT x 6 FT) Mk 4 (connected to 12 x 12)

1. The equipment is designated:

SHELTER, PORCH 1.8 m X 1.8 m (6 FT X 6 FT) MK 4
NATO Stock no 8340-99-225-8188

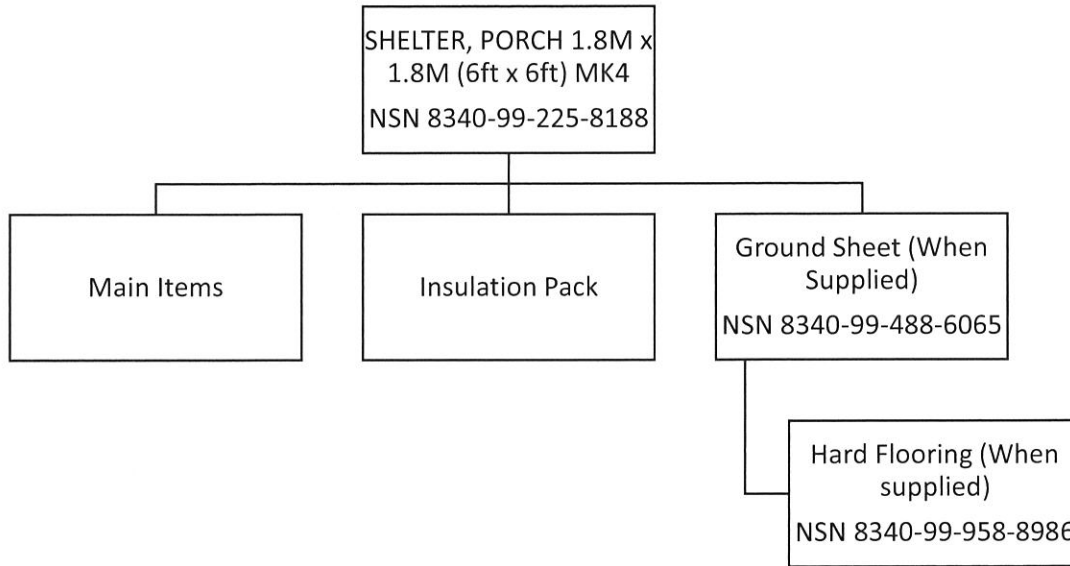


Figure 2: NSN 8340-99-225-8188 Family Tree

MAIN CES LIST FOR 8340-99-225-8188

Fig. No Item No	Army		Item Description and Annotations	No Off D of Q	Annotation (NSCM)
	DMC NSCM	NSN Part Number			
0	J11	8340-99-225-8188	SHELTER, PORCH 1.8 m X 1.8 m (6 FT X 6 FT) Mk 4	1	
1	J11	8340-99-225-8188	MAIN ITEMS	N/A	CHAP 2-1, FIG 3 & 4
2	J11		INSULATION PACK	N/A	CHAP 2-2, FIG 5

Table 2: Index of Illustrations NSN 8340-99-225-8188

CES FOR HARD FLOORING NSN 8340-99-958-8986

Fig. No Item No	Army		Item Description and Annotations	No Off D of Q	Annotation (NSCM)
	DMC NSCM	NSN Part Number			
(6) 1	J11	8340-99-958-8986 (8340-99-551-0054)	HARD FLOORING (m ²)	17 m ²	CHAP 2-3, FIG 6

Table 3: Hard Floor NSN 8340-99-958-8986

CHAPTER 2

SHELTER, PORCH

1.8 M x 1.8 M (6 FT x 6 FT) MK 4

CONTENTS

Chapter

- 2-1 Main Items 8340-99-225-8188
- 2-2 Insulation Pack
- 2.3 Flooring
- 2-4 Repair Kit

THIS PAGE INTENTIONALLY BLANK

CHAPTER 2-1

COMPLETE EQUIPMENT SCHEDULE (CES)

MAIN ITEMS FOR NSN 8340-99-225-8188

CONTENTS

CHAPTER 2-1 1
PARTS LISTS..... **Error! Bookmark not defined.**
MAIN ITEMS FOR NSN 8340-99-225-8188..... 1
CONTENTS..... 1
 SHELTER MAIN ITEMS FOR NSN 8340-99-225-8188 3

Fig	Page
Figure 3: Shelter, Porch 1.8 m x 1.8 m (6 ft x 6 ft) Mk4	2
Figure 4: Shelter, Porch 1.8 m x 1.8 m (6 ft x 6 ft) Mk4 continued.....	4
Figure 3: Shelter, Porch 1.8 m x 1.8 m (6 ft x 6 ft) Mk4	2
Figure 4: Shelter, Porch 1.8 m x 1.8 m (6 ft x 6 ft) Mk4 continued.....	4
Table	Page
Table 4: Shelter Main Items	3
Table 5: Shelter Main Items continued.....	5

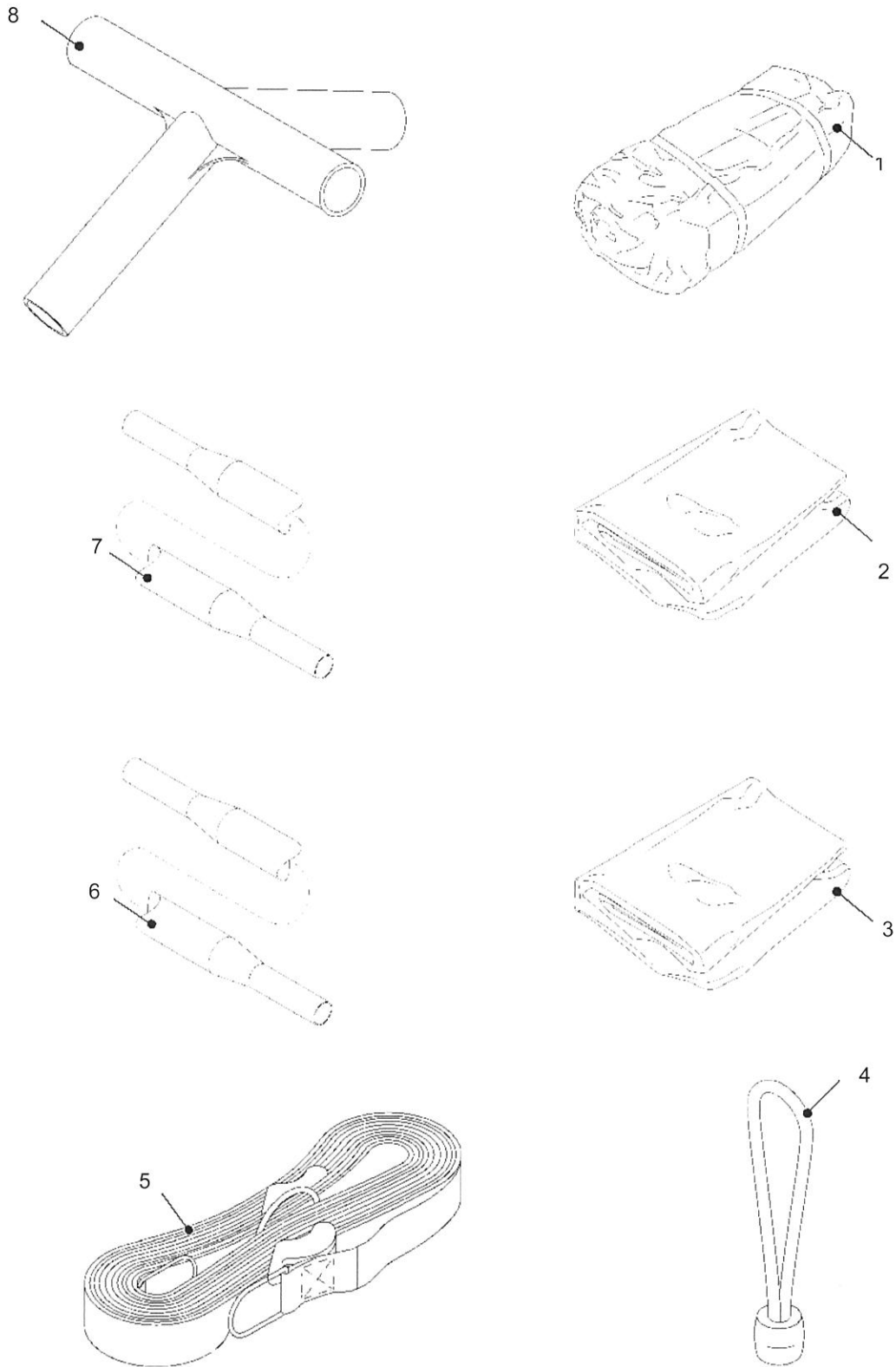


Figure 3: Shelter, Porch 1.8 m x 1.8 m (6 ft x 6 ft) Mk4

SHELTER MAIN ITEMS FOR NSN 8340-99-225-8188

Fig. No Item No	Army		Item Description and Annotations	No Off D of Q	Quantity on Issue
	DMC NSCM	NSN Part Number			
(3) 1	J11	8340-99-907-6733 (8340-99-199-9741)	ROOF AND WALLS	1 EA	
(3) 2	J11	8340-99-997-8442 (8340-99-228-3659)	END SECTION MK 4	1 EA	
(3) 3	J11	8340-99-147-5778	GROUND SHEET	1 EA	
(3) 4	J11	8340-99-865-3035	TENSIONER, LINER AND GROUNDSHEET	40 EA	
(3) 5	J11	8340-99-477-1543	END GUY, QUICK RELEASE	1 EA	
(3) 6	J11	8340-99-132-0006	UNIVERSAL MEMBER 6 FT	9 EA	
(3) 7	J11	8340-99-132-0007	UNIVERSAL MEMBER 3 FT	4 EA	
(3) 8	J11	8340-99-132-0008	RIDGE AND EAVES BRACKET	6 EA	

Table 4: Shelter Main Items

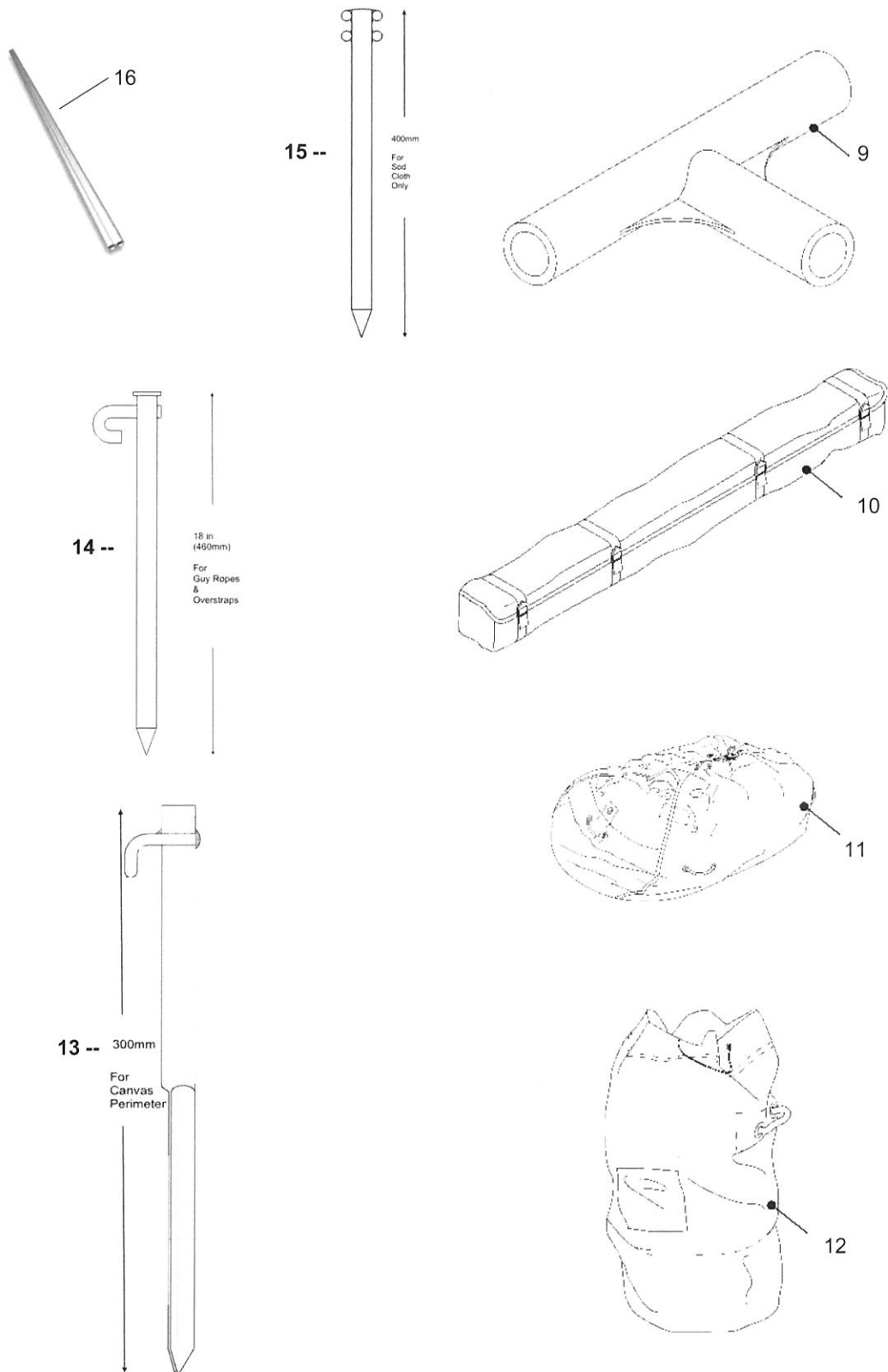


Figure 4: Shelter, Porch 1.8 m x 1.8 m (6 ft x 6 ft) Mk4 continued

Fig. No Item No	Army		Item Description and Annotations	No Off D of Q	Quantity on Issue
	DMC NSCM	NSN Part Number			
(4) 9	J11	8340-99-132-0010	BASE, BRACKET	4 EA	
(4) 10	J11	8340-99-943-1158	BAG, TENT FRAME POLES	1 EA	
(4) 11	J11	8340-99-212-1648	VALISE, TENT	1 EA	
(4) 12	J11	8340-99-499-9176	BAG, TENT FRAME BRACKETS	2 EA	
(4) 13	F1	9390-99-132-0028	PIN, TENT 300 MM STEEL	4 EA	
(4) 14	J11	8340-99-943-9052	PIN, TENT 18 IN. STEEL	2 EA	
(4) 15	J11	5120-99-137-3895	PIN, TENT 400 MM STEEL	6 EA	
(4) 16	J11	9390-99-477-5695	KEDER RAIL	6 EA	
(4) 17	J11	8340-99-423-3355	Strap, Base Restraint 12FT Passageway	2 EA	

Table 5: Shelter Main Items continued

NOTE

Item 16 of Table 5 is only required when utilising the keder system to connect the tent, this is not required if utilising dutch lacing.

THIS PAGE INTENTIONALLY BLANK

CHAPTER 2-2
COMPLETE EQUIPMENT SCHEDULE (CES)
INSULATION PACK

CONTENTS

CHAPTER 2-2	1
COMPLETE EQUIPMENT SCHEDULE (CES).....	1
INSULATION PACK	1
CONTENTS.....	1

Fig	Page
Figure 5: Shelter, Porch Insulation Pack	2

Table	Page
Table 6: Insulation Pack Main Items	3

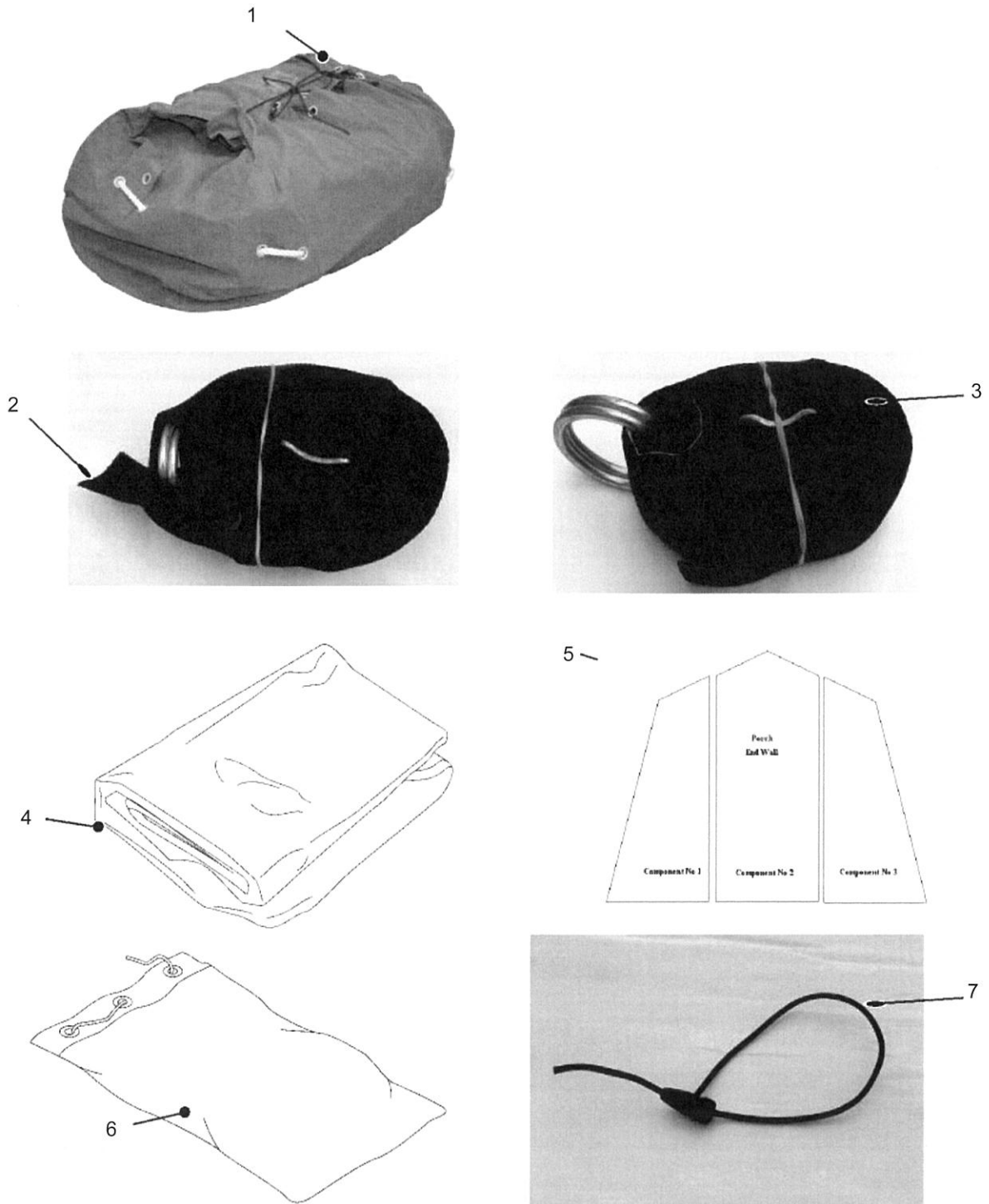


Figure 5: Shelter, Porch Insulation Pack

Fig. No Item No	Army		Item Description and Annotations	No Off D of Q	Quantity on Issue
	DMC NSCM	NSN Part Number			
(5) 1	J11	8340-99-216-3569	BAG TRANSIT & STORAGE INSULATION	1 EA	
(5) 2	J11	8340-99-226-2818	STRAP, ADJUSTABLE ROOF RESTRAINT	2 EA	
(5) 3	J11	8340-99-391-3314	STRAP, ADJUSTABLE INSULATION SUPPORT	1 EA	
(5) 4	J11	8340-99-898-1096	INSULATION PANEL, ROOF & WALL	1 EA	
(5) 5	F1	8340-99-226-2816	INSULATION PANEL, END WALL MK4	1 EA	
(5) 5	F1	8340-99-153-6625	COMPONENT NO 1 INSULATION PANEL, END WALL MK4 (Sub- Component of 8340-99-226-2816)	1 EA	
(5) 5	F1	8340-99-839-8746	COMPONENT NO 2 INSULATION PANEL, END WALL MK4 (Sub- Component of 8340-99-226-2816)	1 EA	
(5) 5	F1	8340-99-741-6210	COMPONENT NO 3 INSULATION PANEL, END WALL MK4 (Sub- Component of 8340-99-226-2816)	1 EA	
(5) 6	J11	5120-99-474-7838	BAG, TRANSIT & STORAGE STRAP SET, GS SHELTER VARIOUS	1 EA	
(5) 7	J11	9390-99-908-8176	TENSIONER	34 EA	

Table 6: Insulation Pack Main Items

CHAPTER 2-3

COMPLETE EQUIPMENT SCHEDULE (CES)

HARD FLOORING FOR NSN 8430-99-958-8986

CONTENTS

CHAPTER 2-3	1
PARTS LISTS.....	Error! Bookmark not defined.
HARD FLOORING FOR NSN 8430-99-958-8986	1
CONTENTS.....	1
HARD FLOORING LIST NSN 8340-99-958-8986	3
Fig	Page
Figure 6: Hard Flooring.....	2
Table	Page
Table 7: Hard Floor NSN 8340-99-958-8986	3

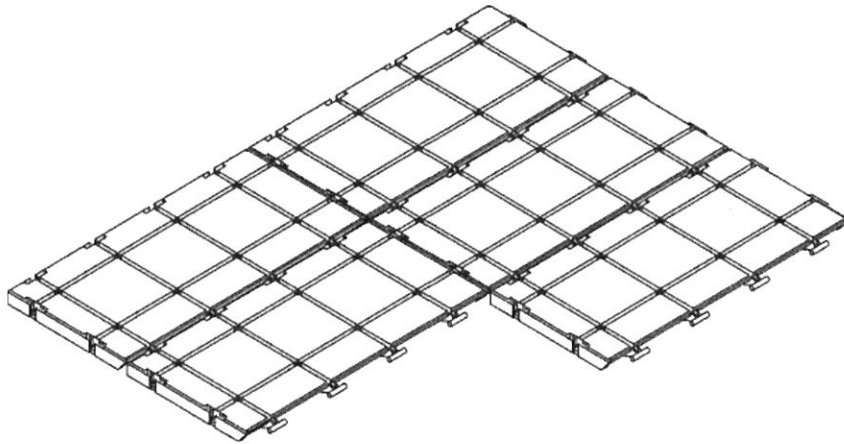


Figure 6: Hard Flooring

HARD FLOORING LIST NSN 8340-99-958-8986

Fig. No Item No	Army		Item Description and Annotations	No Off D of Q	Quantity on Issue
	DMC NSCM	NSN Part Number			
(6) 1	J11	8340-99-958-8986 (8340-99-551-0054)	HARD FLOORING (m ²)	17 m ²	

Table 7: Hard Floor NSN 8340-99-958-8986

THIS PAGE INTENTIONALLY BLANK

CHAPTER 2-4
COMPLETE EQUIPMENT SCHEDULE (CES)

REPAIR KIT

CONTENTS

CHAPTER 2-4	1
PARTS LIST	Error! Bookmark not defined.
REPAIR KIT	1
CONTENTS	1

Fig	Page
Figure 6: Repair Kit	2

Table	Page
Table 8: Repair Kit NSN 8340-99-362-8303	3



Figure 7: Repair Kit

Fig. No Item No	Army		Item Description and Annotations	No Off D of Q	Quantity on Issue
	DMC NSCM	NSN Part Number			
0	J11	8340-99-362-8303	REPAIR KIT, TENTAGE	1	
(7) NI		HH-66-236ml	HH-66 VINYL CEMENT – TIN 236ml	1 EA	
(7) NI		002041	BLACK ADHESIVE TAPE	1 EA	
(7) NI		002044	TRIANGULAR FILE	1 EA	
(7) NI		003/P5001	STANDARD FABRIC - GREEN GREY	1 m ²	
(7) NI		004/P5001	OFCS FABRIC - GREEN GREEN	1 m ²	
(7) NI		005/P5001	FLOOR FABRIC - GREEN	1m ²	
(7) NI		006/P5001	FLY SCREEN MATERIAL	1m ²	
(7) NI		002045	SANDING PAPER	1 EA	
(7) NI		002042	CUTTER 18mm	1 EA	
(7) NI		004402	PLASTIC BOX	1 EA	
(7) NI		007/P5001	REPAIR INSTRUCTION SHEET	1 EA	
(7) NI		HH-66 & PVC Canvas	SAFETY DATA SHEET	1 EA	

Table 8: Repair Kit NSN 8340-99-362-8303

THIS PAGE INTENTIONALLY BLANK

CHAPTER 3

INDEXES

CONTENTS

CHAPTER 3 1
INTRODUCTION 1

INTRODUCTION

2. This Chapter identifies the indexes provided in support to the main parts list.

THIS PAGE INTENTIONALLY BLANK

CHAPTER 3-1

INDEX OF NATO STOCK NUMBERS

CONTENTS

CHAPTER 3-1	1
INDEX OF NATO STOCK NUMBERS	1
INDEX OF NATO STOCK NUMBERS	2
Table	Page
Table 9: Index of NATO Stock Number.....	2

CHAPTER 3-2

INDEX OF MANUFACTURERS' PART/DRAWING NUMBERS

TO

CHAPTER, FIGURE AND ITEM NUMBERS

CONTENTS

CHAPTER 3-2	1
INDEX OF MANUFACTURERS' PART/DRAWING NUMBERS	1
INDEX OF MANUFACTURERS' PART/DRAWING NUMBERS	2
Table	Page
Table 10: Index of Manufacturers' Part Numbers	2

ARMY EQUIPMENT AND SUPPORT PUBLICATION (AESP) AND ELECTRICAL AND
MECHANICAL ENGINEERING REGULATIONS (EMER) - FORM 10

*AESP/EMER NUMBER:		*IS THIS SAFETY RELATED? Yes <input type="checkbox"/> No <input type="checkbox"/>	
Send Form 10 via the Email or Post address. However email is preferred.		Tel	██████████ or ██████████
Email: ██████████	Post to	██████████ ██████████ ██████████	
(To email this form send as a copy to the email address above)			
ORIGINATORS DETAILS			
*Address	*Name		
	Rank / Grade		
	*Phone		
	*Senders Reference		
	*Date Raised		
*E-Mail	Eqpt Asset Code (if applicable)		
AESP/EMER DETAILS			
*Full Title of AESP/EMER (Not the AESP/EMER Number)			
*Edition	*Amendment	*Chapter	*Page
*Paragraph			
Figure			
Instruction			
Other			
*Comments: If additional information is to be supplied, please e-mail with the Form 10 as separate attachments.			
FORM 10 CELL USE			
*Date Received		*Form 10 Reference	
*Date Sent to PT / SME		Problem Report	
PROJECT TEAM / SME RESPONSE TO COMMENTS:			
Project Team (PT) / SME		*Sponsors Name	
*Phone		Rank / Grade	
*Email		*Date Received	
*The following action is to be carried out:		Mark:	Mark:
Issue a revised/amended AESP/EMER:		Under investigation:	
Incorporate comment(s) in future amendments:		No action required:	
Remarks:			
SPONSOR/PT FINAL CLOSURE STEPS		Mark:	Date:
Form 10 Originator notified of the action taken:			

AESP Form 10 (Issue 6.2 dated July 13)

* Mandatory Fields for Originator

* Mandatory Fields for Sponsor.

**ARMY EQUIPMENT AND SUPPORT PUBLICATION (AESP) AND ELECTRICAL AND
MECHANICAL ENGINEERING REGULATIONS (EMER) - FORM 10**

Form 10 Guidance

Form 10 can be found within the AESP or, as a template, from the JAMES Portal (Hot Topic – Forms) & TDOL (FORM10).

Originator responsibility is to enter the following details marked *:

- In the **AESP/EMER Number**: cell enter the full document number e.g. AESP 1256-I-400-711.
- Is this **Safety Related?** – select Yes or No as appropriate.
- Originator Details:
 - Full address Inc Post Code or BFPO NO.
 - Originator email address
 - Senders Reference – that must be unique.
- AESP Details shall enter the following details:
 - The Full Title of AESP/EMER should not include the AESP/EMER Number
 - Enter details in all other mandatory fields marked *.
 - Additional information relating to the Comments (AESP copies, additional text details or photographs) should be attached to the Email at the same time.
- Originator makes up the Form 10 & Sends to Form 10 cell via
 - Post to [REDACTED] address.
 - Email to [REDACTED]
 - **Any AESP that holds a Security marking higher than 'Restricted' should be securely circulated.**

FORM 10 CELL responsibilities:

The Form 10 Cell enters:

- Date Received
- Form 10 Reference
- Date sent to Sponsor
- Register all Form 10 details in the MOSS Form 10 Tracker.

Sponsor Responsibility

The Sponsor will:

- Enter their name, email address & phone contact details.
- Enter Date Received
- Enter Details in the non-mandatory field as & when required.
- Acknowledge receipt of Form 10, within 5 working days, by email to Form 10 Cell.
- Assess the contents of comments and details received.
- Mark the relevant Action box and fill out the Remarks field.
- Enter date when the Form 10 is returned to Form 10 Cell.
- Email copy of completed Form 10, within 6 weeks, to the Form 10 Cell and Originator.

Form 10 Cell on receipt will:

- Record final stage of the Form 10 into the MOSS Form 10 Tracker.
- Close off the Form 10 and archive.

AESP Form 10 (Issue 6.2 dated July 13)

* Mandatory Fields for Originator

* Mandatory Fields for Sponsor.



CONDITIONS OF RELEASE

- 1 This information is released by the UK Government for Defence purposes only.
- 2 This information must be afforded the same degree of protection as that afforded to information of an equivalent security marking originated by the recipient Government or as required by the recipient Government's National Security regulations.
- 3 This information may be disclosed only within the Defence Department of the recipient Government, except as otherwise authorised by the Ministry of Defence (Army).
- 4 This information may be subject to privately owned rights.

**SUNSHADE, 3.6 M x 3.6 M
(12 FT x 12 FT)**

NSN J11/8340-99-884-6622

**COMPLETE EQUIPMENT SCHEDULE, SERVICE
EDITION (SIMPLE EQUIPMENT)**

~~THIS DOCUMENT IS THE PROPERTY OF HER BRITANNIC MAJESTY'S GOVERNMENT, and is issued for the information of such persons only as need to know its contents in the course of their official duties. Any person finding this document should hand it to a British forces unit or to a police station for its safe return to the MINISTRY OF DEFENCE, D-Def Sy, MAIN BUILDING, WHITEHALL, LONDON SW1A 2HB, with particulars of how and where found. THE UNAUTHORISED RETENTION OR DESTRUCTION OF THIS DOCUMENT MAY BE AN OFFENCE UNDER THE OFFICIAL SECRETS ACTS OF 1911-1989. (When released to persons outside Government service, this document is issued on a personal basis and the recipient to whom it may be entrusted in confidence, within the provisions of the Official Secrets Act 1911-1989, is personally responsible for its safe custody and for seeing that its contents are disclosed only to authorized persons).~~

Sponsored for use

in the

UNITED KINGDOM MINISTRY OF DEFENCE AND ARMED FORCES

by the

DEFENCE EQUIPMENT AND SUPPORT ORGANISATION

AMENDMENT RECORD

Amdt No	Incorporated By (Signature)	Date
1		
2		
3		
4		
5		
6		
7		
8		
9		
10		
11		
12		
13		
14		
15		
16		
17		
18		
19		
20		
21		
22		
23		
24		
25		
26		
27		
28		
29		
30		
31		

Amdt No	Incorporated By (Signature)	Date
32		
33		
34		
35		
36		
37		
38		
39		
40		
41		
42		
43		
44		
45		
46		
47		
48		
49		
50		
51		
52		
53		
54		
55		
56		
57		
58		
59		
60		
61		
62		

CONTENTS

	Page
PRELIMINARY MATERIAL	
Front cover (title page)	(i)/(ii)
Amendment record sheet	(iii)/(iv)
Contents (this list)	(v)
PREFACE	(vi)
Introduction	(vi)
Instructions for use by Units	(vi)
Initial issues	(vi)
In lieu items	(vi)
General Notes	(vii)
Amendments	(vii)
Indentations	(vii)
Description	(vii)
Related and associated publications	(viii)
Related publications	(viii)
Associated publications	(ix)
Abbreviations	(ix)
Warnings and Cautions	(x)
Comment on AESP	Final leaf

COMPLETE EQUIPMENT SCHEDULE (CES)

Chapter

- 1 General Information
- 2 Complete Equipment Schedule
- 2-1 Main Items
- 2-2 Component Kit
- 3 Indexes
- 3-1 Index of NATO Stock Numbers to Chapter, Figure and Item Numbers
- 3-2 Index of Manufacturers Part/drawing Numbers to Chapter, Figure and Item Numbers
- 3-3 Not issued
- 3-4 Not issued

PREFACE

Sponsor: DEC ELS
Publication Authority: DE&S
ECI IPT

INTRODUCTION

1 Service users should forward any comments on this publication through the channels prescribed in AESP 0100-P-011-013. An AESP Form 10 is provided at the end of the preliminary pages; it should be photocopied and used for forwarding comments on this AESP.

2 AESPs are issued under Defence Council authority and where AESPs specify action to be taken, the AESP will of itself be sufficient authority for such action and also for the demanding of the necessary stores, subject to the provisions of Para 3 below.

3 The subject matter of this publication may be affected by Defence Instruction Notices (DINs), Standing Operating Procedures (SOPs) or by local regulations. When any such Instruction, Order or Regulation contradicts any portion of this publication it is to be taken as the overriding authority.

4 The subject matter of this publication details information specific to Tent, Shelter, Command Post 2.7 M x 2.7 M (9 FT x 9 FT) MK 3.

5 This Complete Equipment Schedule (CES) is designed as an aid to the identification of components, parts or assemblies of parts of the equipment and to provide information necessary for demanding spares.

6 This CES may list some or all of the parts comprising the equipment concerned, but only those parts assigned a NATO Stock Number, Service Catalogue or Reference Number will normally be available as spares. Should there be a requirement for an item not assigned a number, demands may be submitted quoting the AESP, Item Number, Figure Reference and Item Name. Where a manufacturers reference is known, this should also be quoted.

Instructions for use by Units

7 Detailed instructions for use by Units are given in JSP336.

Initial issues

8 Initial issues as detailed below:

8.1 One copy of the CES will be attached to the Unit's copy of the issue voucher and one further copy to accompany every equipment.

8.2 Deficiencies (if any) will be enfaced on the covering issue voucher by reference to the Serial Number of the items listed in the simple CES.

8.3 'To follow' vouchers will not be created.

8.4 All items listed in the CES can be issued separately. If any listed herein becomes unserviceable it should be extracted and exchanged and the equipment retained pending receipt. Transfers between equipment holders should normally be complete to CES.

In lieu items

9 Authorised 'In lieu' items held against this CES will not be replaced until such time as they are no longer serviceable. When replacement becomes necessary the correct item, as listed in the CES, will be demanded.

General Notes

10 Certain items may be annotated as follows:

10.1 (C) – This code indicates the Accounting Classification of the item. C (Consumable) items are formally received and issued for consumption.

10.2 (X) – ESSENTIAL ITEMS without which the RLC will not issue the equipment.

10.3 (P) – This code indicates the Accounting Classification of the item. P (Permanent) are subject to formal condemnation action (AFG1043).

10.4 (NI) – (Not illustrated) when appearing with a number in the 'Fig Item' column indicates that the item is not illustrated.

10.5 (NIV) – (Not in Vocabulary) indicates that the item is not available within the Stores System.

Amendments

11 Amendments to the catalogue will be published as and when necessary. The amendments will be numbered consecutively, and the Amendment record sheet is to be completed for each amendment list embodied. New or amended material will be highlighted by side lining to show the extent of the amendment.

Indentations

12 Items are listed in a logical assembly/disassembly order and are indented by the 'Dot System' in which each 'dot' depicts the relationship of the item to the main assembly.

MAIN ASSEMBLY

Attaching parts for main assembly.

- . FIRST LEVEL OF BREAKDOWN (Sub-assembly or part of main assembly)
- . Attaching parts for first level.

- . . SECOND LEVEL OF BREAKDOWN (Sub-sub-assembly or detail part of Sub-assembly)
- . . Attaching parts for second level.

Description

13 The item Description and Annotation Block is also to convey additional information to the CES user, which will appear in brackets i.e. related location detail, e.g. another AESP or Chapter/Item within this AESP.

RELATED AND ASSOCIATED PUBLICATIONS**Related publications**

14 The octad for the subject equipment consists of all the categories shown in Table 1. All references are prefixed with the first eight digits of this publication. The availability of the publications can be checked by reference to the relevant Group Index in AESP 0100-A-001-013.

TABLE 1 RELATED PUBLICATIONS

Category/Sub-Category			Information Level			
			1 User/Operator	2 Unit Maintenance	3 Field Maintenance	4 Base Maintenance
1	0	Purpose and Planning Information	101	*	*	*
	1	Equipment Support Policy Directives	*	*	*	*
2	0	Operating Information	201	*	*	*
	1	Aide Memoire	*	*	*	*
	2	Training Aids	*	*	*	*
3		Technical Description	*	*	*	*
4	1	Installation Instructions	*	*	*	*
	2	Preparation for Special Environments	*	*	*	*
5	1	Failure Diagnosis	*	*	*	*
	2	Repair Instructions		*	*	*
	3	Inspection Standards	*	*	*	*
	4	Calibration Procedures	*	*	*	*
6		Maintenance Schedules	*	*	*	*
7	1	Illustrated Parts Catalogues	711	*	*	*
	2	Commercial Parts Lists	*	*	*	*
	3	Complete Equipment Schedule, Production		*	*	*
	4	Complete Equipment Schedule, Service Edition (Simple Equipment)	741	*	*	*
	5	Complete Equipment Schedule, Service Edition (Complex Equipment)	*	*	*	*
8	1	Modification Instructions	*	*	*	*
	2	General Instructions, Special Technical Instructions and Servicing Instructions	*	*	*	*
	3	Service Engineered Modification Instructions (RAF only)	*	*	*	*

* Category/Sub-category not published.

Associated publications

15 The following publications are associated with this AESP octad.

<u>Reference</u>	<u>Title</u>
NONE	

ABBREVIATIONS

16 The following abbreviations are used in this AESP octad.

<u>Abbreviation</u>	<u>Nomenclature</u>
AESP	Army Equipment Support Publication
CES	Complete Equipment Schedule
DIN	Defense Instruction Notices
NI	Not Illustrated
NIV	Not In Vocabulary
SOP	Standard Operating Procedures

WARNINGS AND CAUTIONS

HAZARDOUS SUBSTANCES

17 Before using any hazardous substances or material, the user must be conversant with the safety precautions and first aid instructions:

- 17.1 on the label of the container it was supplied in;
- 17.2 on the material Safety Data Sheet;
- 17.3 in local Safety Orders and Regulations.

WARNING

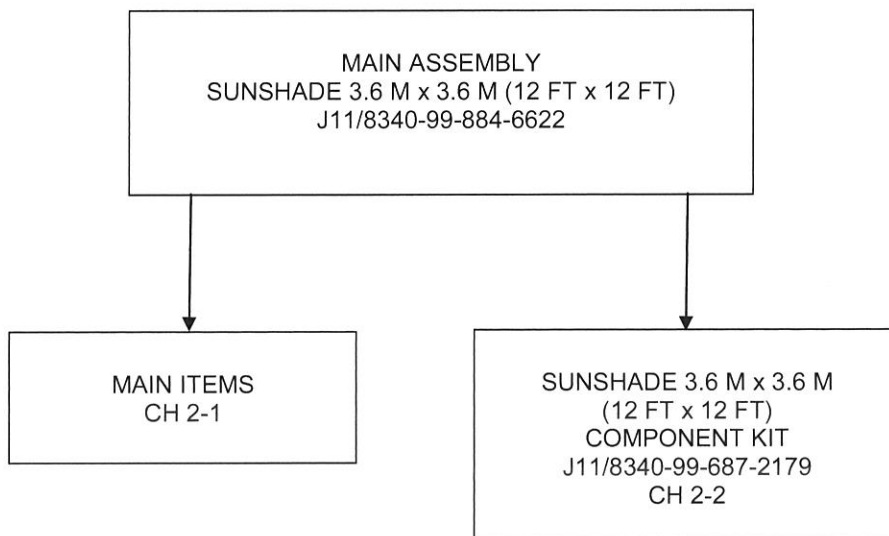
PERSONNEL INJURY/HEAVY WEIGHT. MINIMUM PERSONNEL NUMBERS REQUIRED TO LIFT OR MOVE EACH SHELTER SHOULD BE OBSERVED.

CHAPTER 1

GENERAL INFORMATION

CONTENTS

	Page
Title Page	1
Family Tree	2
Index of Main Assemblies	3/4



Family Tree

INDEX OF MAIN ASSEMBLIES

Fig. No Item No	DMC NSCM	Army NSN Part Number	Item Description and Annotations	No Off D of Q	Quantity of Issue
0	J11	8340-99-884-6622	SUNSHADE, 3.6 M x 3.6 M (12 FT x 12 FT)	1	
1			.MAIN ITEMS (CHAPTER 2-1)	N/A	
2			COMPONENT KIT (CHAPTER 2-2)		

CHAPTER 2

COMPLETE EQUIPMENT SCHEDULE (CES)

CONTENTS

Chapter

- 2-1 Main items
- 2-2 Component kit

CHAPTER 2-1

COMPLETE EQUIPMENT SCHEDULE (CES)

MAIN ITEMS



Fig 1 Sunshade, 3.6 m x 3.6 m (12 ft x 12 ft)

CES

Fig. No Item No	DMC NSCM	Army NSN Part Number	Item Description and Annotations	No Off D of Q	Quantity of Issue
0	J11	8340-99-884-6622	SUNSHADE, 3.6 M X 3.6 M (12 FT X 12 FT)	REF	
1	J11	8340-99-212-7317	SUNSHIELD, 12 FT x 12 FT	1 EA	
2	J11	8340-99-943-1158	BAG, TENT FRAME POLES	1 EA	
3	J11	8340-99-132-0006	UNIVERSAL MEMBER, 6 FT	26 EA	
4	J11	8340-99-132-0007	UNIVERSAL MEMBER, 3 FT	6 EA	
5	J11	8340-99-132-0008	BRACKET, RIDGE AND EAVES	9 EA	
6	J11	8340-99-132-0009	BRACKET, PURLIN	6 EA EA	
7	J11	8340-99-132-0010	BRACKET, BASE	6 EA	
8	J11	8340-99-575-0787	PIN, SUNSHADE	20 EA	

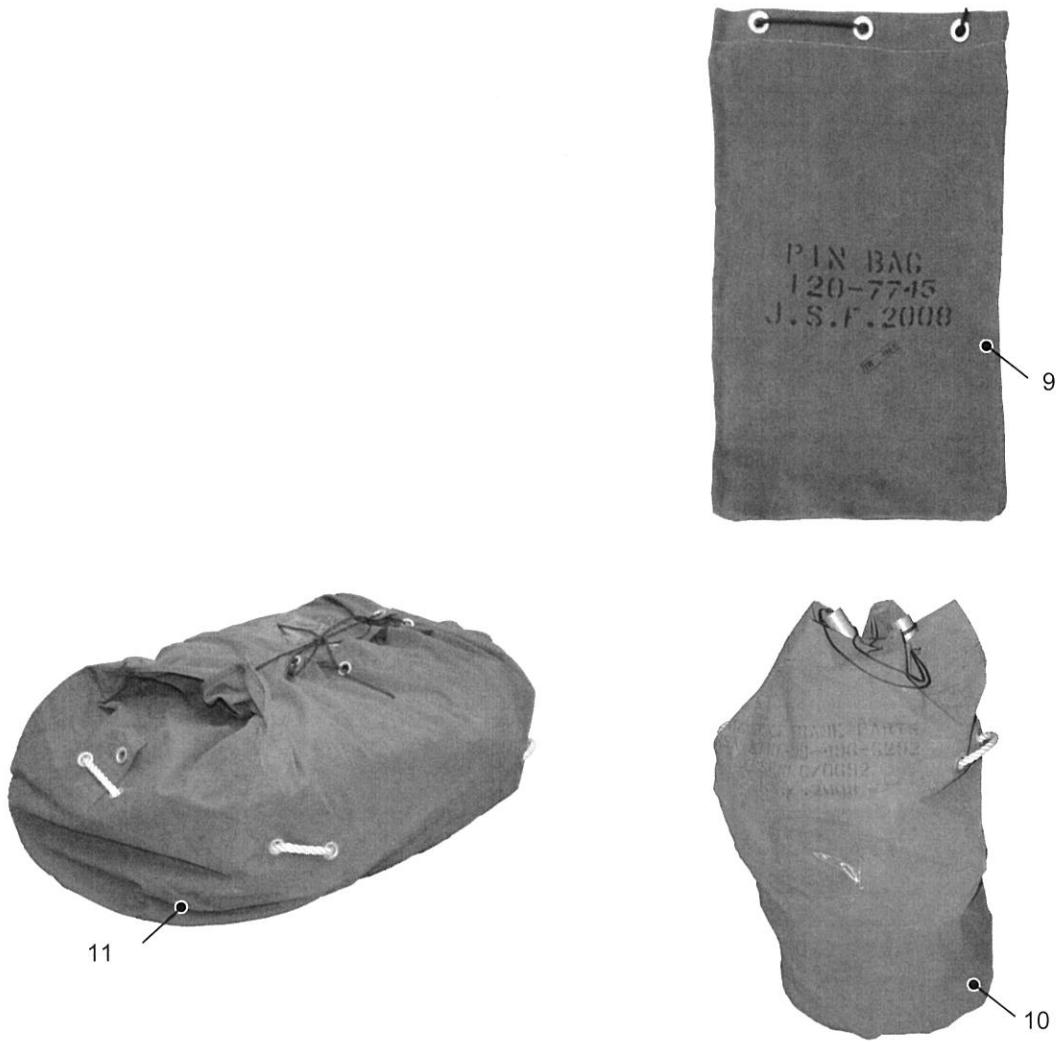


Fig 2 Sunshade, 3.6 m x 3.6 m (12 ft x 12 ft)

CES

Fig. No Item No	DMC NSCM	Army NSN Part Number	Item Description and Annotations	No Off D of Q	Quantity of Issue
9	J11	8340-99-120-7745	CONTAINER, TENT PIN	2 EA	
10	J11	8340-99-496-6292	BAG, TENT FRAME BRACKETS	2 EA	
11	J11	8340-99-687-2179	SUNSHADE COMPONENT KIT 3.6 M x 3.6 M (12 FT x 12 FT)	1 EA	

CHAPTER 2-2

COMPLETE EQUIPMENT SCHEDULE (CES)

SUNSHADE COMPONENT KIT, 3.6 M X 3.6 M (12 FT X 12 FT)



Fig 1 Sunshade component kit 3.6 m x 3.6 m (12 ft x 12 ft)

CES

Fig. No Item No	Army		Item Description and Annotations	No Off D of Q	Quantity of Issue
	DMC NSCM	NSN Part Number			
0	J11	8340-99-212-7317	SUNSHADE COMPONENT KIT 3.6 M x 3.6 M (12 FT x 12 FT)	REF	
1	J11	8340-99-199-9741	STRAP, ADJUSTABLE RATCHET	8 EA	
2	J11	8340-99-228-3659	STRAP, ADJUSTABLE END GUY	4 EA	
3	J11	8340-99-147-5778	RING, TIE DOWN	20 EA	
4	J11	8340-99-275-5034	STRAP, BASE RESTRAINT	2 EA	
7	J11	8340-99-132-0007	TENSIONER, LINER AND GROUNDSHEET	100 EA	

CHAPTER 3

INDEXES

CONTENTS

Para

- 1 Introduction

Chapter

- 3-1 Index of NATO stock numbers to chapter, figure and item numbers
- 3-2 Index of manufacturers' part/drawing numbers to chapter, figure and item numbers
- 3-3 Not issued
- 3-4 Not issued

INTRODUCTION

- 1 This Chapter identifies the indexes provided in support to the main parts list.

CHAPTER 3-1

**INDEX OF NATO STOCK NUMBERS
TO
CHAPTER, FIGURE AND ITEM NUMBERS**

CONTENTS

	Page
Index pages	3/4

**INDEX OF NATO STOCK NUMBERS
TO
CHAPTER, FIGURE AND ITEM NUMBERS**

Nato Stock Number	Chapter	Fig & Item	Nato Stock Number	Chapter	Fig & Item
8340-99-212-7317		2-1			
8340-99-943-1158		2-1			
8340-99-132-0006		2-1			
8340-99-132-0007		2-1			
8340-99-132-0008		2-1			
8340-99-132-0009		2-1			
8340-99-132-0010		2-1			
8340-99-575-0787		2-1			
8340-99-120-7745		2-1			
8340-99-496-6292		2-1			
8340-99-687-2179		2-2			
8340-99-212-7318		2-2			
8340-99-876-9580		2-2			
8340-99-876-9578		2-2			
8340-99-326-5994		2-2			

CHAPTER 3-2

INDEX OF MANUFACTURERS' PART/DRAWING NUMBERS

TO

CHAPTER, FIGURE AND ITEM NUMBERS

CONTENTS

	Page
Index pages	3/4

**INDEX OF MANUFACTURERS' PART/DRAWING NUMBERS
TO
CHAPTER, FIGURE AND ITEM NUMBERS**

Manufacturers Part or Dwg Numbers	Chapter	Fig & Item	Manufacturers Part or Dwg Numbers	Chapter	Fig & Item

COMMENT(S) ON AESP*

To: [Redacted] From:

[Redacted]

[Redacted]

[Redacted]

[Redacted]

Senders Reference	BIN Number	Date
AESP* Title: COMPLETE EQUIPMENT SCHEDULE, SERVICE EDITION (SIMPLE EQUIPMENT)		
Chapter(s)/Instruction	Page(s)/Paragraph(s)	
If you require more space please use the reverse of this form or a separate piece of paper.		
Comment(s):		

Signed: Telephone No:

Name (Capitals): Rank/Grade: Date:

✂

FOR AESP* SPONSOR USE ONLY

To: From:

.....

.....

.....

Thank you for commenting on AESP 8340-C-108-741

Your reference: Date:

Action is being taken to:	Tick		Tick
Issue a revised/amended AESP*		Under investigation	
Incorporate comment(s) in future amendments		No action required	
Remarks			

Signed: Telephone No:

Name (Capitals): Rank/Grade: Date:

* AESP or EMER



CONDITIONS OF RELEASE

- 1 This information is released by the UK Government for Defence purposes only.
- 2 This information must be afforded the same degree of protection as that afforded to information of an equivalent security marking originated by the recipient Government or as required by the recipient Government's National Security regulations.
- 3 This information may be disclosed only within the Defence Department of the recipient Government, except as otherwise authorised by the Ministry of Defence (Army).
- 4 This information may be subject to privately owned rights.

SHELTER, 4-WAY CONNECTOR

NSN 8340-99-130-2184

COMPLETE EQUIPMENT SCHEDULE, SERVICE EDITION (SIMPLE EQUIPMENT)

~~THIS DOCUMENT IS THE PROPERTY OF HER BRITANNIC MAJESTY'S GOVERNMENT, and is issued for the information of such persons only as need to know its contents in the course of their official duties. Any person finding this document should hand it to a British forces unit or to a police station for its safe return to the MINISTRY OF DEFENCE, D Def Sy, MAIN BUILDING, WHITEHALL, LONDON SW1A 2HB, with particulars of how and where found. THE UNAUTHORISED RETENTION OR DESTRUCTION OF THIS DOCUMENT MAY BE AN OFFENCE UNDER THE OFFICIAL SECRETS ACTS OF 1911-1989. (When released to persons outside Government service, this document is issued on a personal basis and the recipient to whom it may be entrusted in confidence, within the provisions of the Official Secrets Acts 1911-1989, is personally responsible for its safe custody and for seeing that its contents are disclosed only to authorized persons).~~

Sponsored for use

in the

UNITED KINGDOM MINISTRY OF DEFENCE AND ARMED FORCES

by the

DEFENCE EQUIPMENT AND SUPPORT ORGANISATION

AMENDMENT RECORD

Amdt No	Incorporated By (Signature)	Date
1		
2		
3		
4		
5		
6		
7		
8		
9		
10		
11		
12		
13		
14		
15		
16		
17		
18		
19		
20		
21		
22		
23		
24		
25		
26		
27		
28		
29		
30		
31		

Amdt No	Incorporated By (Signature)	Date
32		
33		
34		
35		
36		
37		
38		
39		
40		
41		
42		
43		
44		
45		
46		
47		
48		
49		
50		
51		
52		
53		
54		
55		
56		
57		
58		
59		
60		
61		
62		

CONTENTS

	Page
PRELIMINARY MATERIAL	
Front cover (title page)	(i)/(ii)
Amendment record sheet	(iii)/(iv)
Contents (this list)	(v)
PREFACE	(vi)
Introduction	(vi)
Instructions for use by Units	(vi)
Initial issues	(vi)
In lieu items	(vi)
General Notes	(vii)
Amendments	(vii)
Indentations	(vii)
Description	(vii)
Related and associated publications	(viii)
Related publications	(viii)
Associated publications	(ix)
Abbreviations	(ix)
Warnings and Cautions	(x)
Comment on AESP	Final leaf

COMPLETE EQUIPMENT SCHEDULE (CES)

Chapter	
1	General Information
2	Complete Equipment Schedule
2-1	Main Items
3	Indexes
3-1	Index of NATO Stock Numbers to Chapter, Figure and Item Numbers
3-2	Index of Manufacturers Part/drawing Numbers to Chapter, Figure and Item Numbers
3-3	Not issued
3-4	Not issued

PREFACE

Sponsor: DE&S OIP
Publication Agency: DE&S JSC SCM EngTLS-TD-Pol

INTRODUCTION

1 Service users should forward any comments on this publication through the channels prescribed in AESP 0100-P-011-013. An AESP Form 10 is provided at the end of the preliminary pages; it should be photocopied and used for forwarding comments on this AESP.

2 AESPs are issued under Defence Council authority and where AESPs specify action to be taken, the AESP will of itself be sufficient authority for such action and also for the demanding of the necessary stores, subject to the provisions of Para 3 below.

3 The subject matter of this publication may be affected by Defence Instruction Notices (DINs), Standing Operating Procedures (SOPs) or by local regulations. When any such Instruction, Order or Regulation contradicts any portion of this publication it is to be taken as the overriding authority.

4 The subject matter of this publication details information specific to Tent, 3 Way Connector MK 3.

5 This Complete Equipment Schedule (CES) is designed as an aid to the identification of components, parts or assemblies of parts of the equipment and to provide information necessary for demanding spares.

6 This CES may list some or all of the parts comprising the equipment concerned, but only those parts assigned a NATO Stock Number, Service Catalogue or Reference Number will normally be available as spares. Should there be a requirement for an item not assigned a number, demands may be submitted quoting the AESP, Item Number, Figure Reference and Item Name. Where a manufacturers reference is known, this should also be quoted.

Instructions for use by Units

7 Detailed instructions for use by Units are given in JSP336.

Initial issues

8 Initial issues as detailed below:

8.1 One copy of the CES will be attached to the Unit's copy of the issue voucher and one further copy to accompany every equipment.

8.2 Deficiencies (if any) will be enfaced on the covering issue voucher by reference to the Serial Number of the items listed in the simple CES.

8.3 'To follow' vouchers will not be created.

8.4 All items listed in the CES can be issued separately. If any listed herein becomes unserviceable it should be extracted and exchanged and the equipment retained pending receipt. Transfers between equipment holders should normally be complete to CES.

In lieu items

9 Authorised 'In lieu' items held against this CES will not be replaced until such time as they are no longer serviceable. When replacement becomes necessary the correct item, as listed in the CES, will be demanded.

General Notes

10 Certain items may be annotated as follows:

10.1 (C) – This code indicates the Accounting Classification of the item. C (Consumable) items are formally received and issued for consumption.

10.2 (X) – ESSENTIAL ITEMS without which the RLC will not issue the equipment.

10.3 (P) – This code indicates the Accounting Classification of the item. P (Permanent) are subject to formal condemnation action (AFG1043).

10.4 (NI) – (Not illustrated) when appearing with a number in the 'Fig Item' column indicates that the item is not illustrated.

10.5 (NIV) – (Not in Vocabulary) indicates that the item is not available within the Stores System.

Amendments

11 Amendments to the catalogue will be published as and when necessary. The amendments will be numbered consecutively, and the Amendment record sheet is to be completed for each amendment list embodied. New or amended material will be highlighted by side lining to show the extent of the amendment.

Indentations

12 Items are listed in a logical assembly/disassembly order and are indented by the 'Dot System' in which each 'dot' depicts the relationship of the item to the main assembly.

MAIN ASSEMBLY

Attaching parts for main assembly.

- . FIRST LEVEL OF BREAKDOWN (Sub-assembly or part of main assembly)
- . Attaching parts for first level.

- . . SECOND LEVEL OF BREAKDOWN (Sub-sub-assembly or detail part of Sub-assembly)
- . . Attaching parts for second level.

Description

13 The item Description and Annotation Block is also to convey additional information to the CES user, which will appear in brackets i.e. related location detail, e.g. another AESP or Chapter/Item within this AESP.

RELATED AND ASSOCIATED PUBLICATIONS**Related publications**

14 The octad for the subject equipment consists of all the categories shown in Table 1. All references are prefixed with the first eight digits of this publication. The availability of the publications can be checked by reference to the relevant Group Index in AESP 0100-A-001-013.

TABLE 1 RELATED PUBLICATIONS

Category/Sub-Category			Information Level			
			1 User/Operator	2 Unit Maintenance	3 Field Maintenance	4 Base Maintenance
1	0	Purpose and Planning Information	101	*	*	*
	1	Equipment Support Policy Directives	*	*	*	*
2	0	Operating Information	201	*	*	*
	1	Aide Memoire	*	*	*	*
	2	Training Aids	*	*	*	*
3		Technical Description	*	*	*	*
4	1	Installation Instructions	*	*	*	*
	2	Preparation for Special Environments	*	*	*	*
5	1	Failure Diagnosis	*	*	*	*
	2	Repair Instructions	201	*	*	*
	3	Inspection Standards	*	*	*	*
	4	Calibration Procedures	*	*	*	*
6		Maintenance Schedules	*	*	*	*
7	1	Illustrated Parts Catalogues	711	*	*	*
	2	Commercial Parts Lists	*	*	*	*
	3	Complete Equipment Schedule, Production		*	*	*
	4	Complete Equipment Schedule, Service Edition (Simple Equipment)	741	*	*	*
	5	Complete Equipment Schedule, Service Edition (Complex Equipment)	*	*	*	*
8	1	Modification Instructions	*	*	*	*
	2	General Instructions, Special Technical Instructions and Servicing Instructions	*	*	*	*
	3	Service Engineered Modification Instructions (RAF only)	*	*	*	*

* Category/Sub-category not published.

Associated publications

15 The following publications are associated with this AESP octad.

<u>Reference</u>	<u>Title</u>
------------------	--------------

NONE

ABBREVIATIONS

16 The following abbreviations are used in this AESP octad.

<u>Abbreviation</u>	<u>Nomenclature</u>
AESP	Army Equipment Support Publication
CES	Complete Equipment Schedule
DIN	Defense Instruction Notices
NI	Not Illustrated
NIV	Not In Vocabulary
SOP	Standard Operating Procedures

WARNINGS AND CAUTIONS

HAZARDOUS SUBSTANCES

17 Before using any hazardous substances or material, the user must be conversant with the safety precautions and first aid instructions:

- 17.1 on the label of the container it was supplied in;
- 17.2 on the material Safety Data Sheet;
- 17.3 in local Safety Orders and Regulations.

WARNING

PERSONNEL INJURY/HEAVY WEIGHT. MINIMUM PERSONNEL NUMBERS REQUIRED TO LIFT OR MOVE EACH SHELTER SHOULD BE OBSERVED.

CHAPTER 1

GENERAL INFORMATION

CONTENTS

	Page
Title Page	1
Family Tree	2
Index of Main Assemblies	3/4

SHELTER, 4-WAY
CONNECTOR, WITHOUT
INSULATION KIT

SHELTER, 4-WAY
CONNECTOR, C/W
INSULATION KIT

NOTE : TWO VARIANTS OF SHELTER, 4-WAY
CONNECTOR ARE AVAILABLE, EITHER
WITH OR WITHOUT INSULATION.

INDEX OF MAIN ASSEMBLIES

Fig. No Item No	DMC NSCM	Army NSN Part Number	Item Description and Annotations	No Off D of Q	Quantity of Issue
0			SHELTER, 4-WAY CONNECTOR	REF	
1A	J11	8340-99-130-2184	. MAIN ITEMS (Without Insulation)	N/A	
1B	J11	8340-99-225-8186	. MAIN ITEMS (C/W Insulation)	N/A	

CHAPTER 2

COMPLETE EQUIPMENT SCHEDULE (CES)

CONTENTS

Chapter

2-1 Main items

CHAPTER 2-1

COMPLETE EQUIPMENT SCHEDULE (CES)

MAIN ITEMS

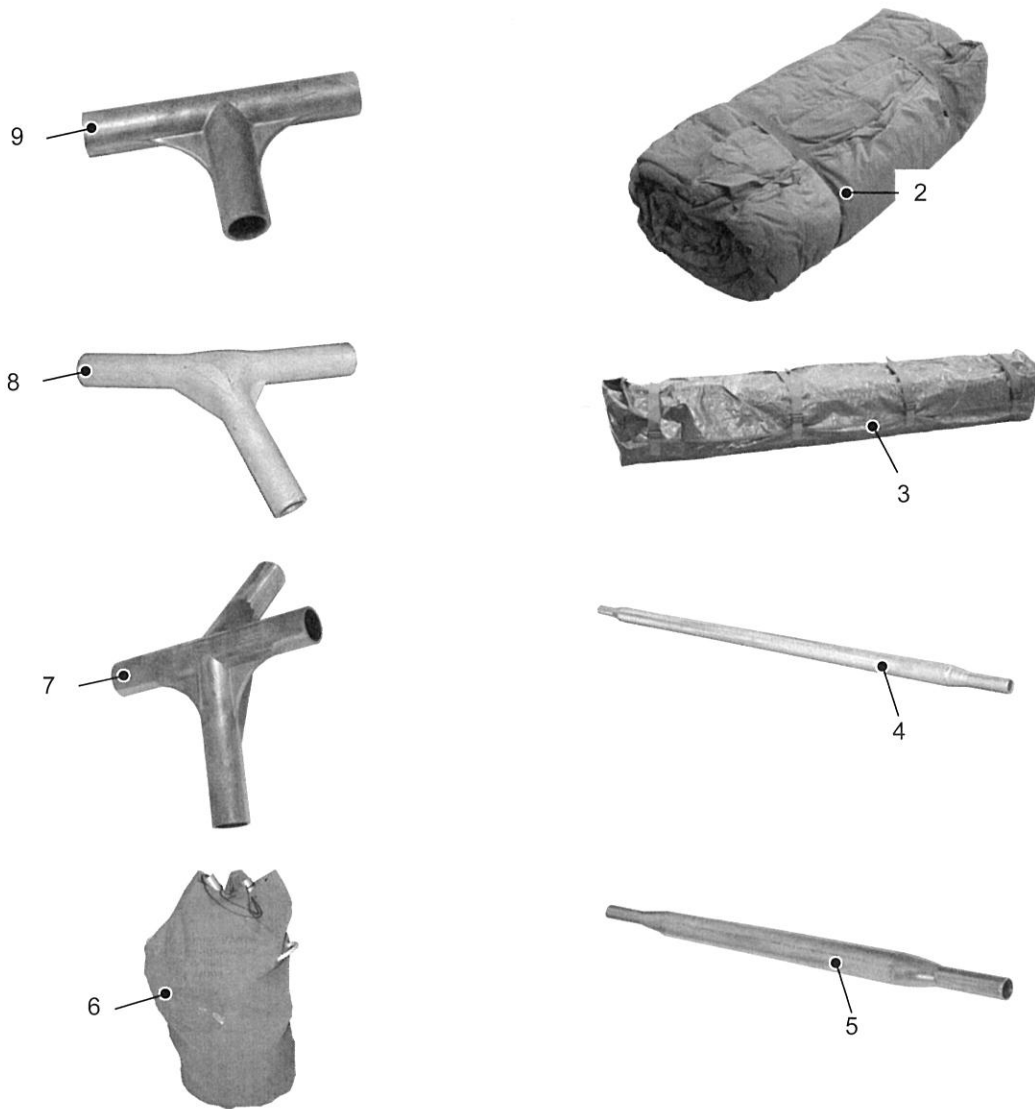


Fig 1 Shelter, Four Way Connector

CES

Fig. No Item No	DMC NSCM	Army NSN Part Number	Item Description and Annotations	No Off D of Q	Quantity of Issue
1	-1A	J11 8340-99-130-2184	.SHELTER, 4 WAY CONNECTOR (without insulation)	1 EA	
	-1B	J11 8340-99-225-8186	.SHELTER, 4 WAY CONNECTOR (C/W insulation)	1 EA	
	2	J11 8340-99-135-7100	.CANVAS, 4-WAY CONNECTOR	1 EA	
	3	J11 8340-99-943-1158	.VALISE, SHELTER FRAME PARTS	1 EA	
	4	J11 8340-99-132-0009	.. UNIVERSAL MEMBER	4 EA	
	5	J11 8340-99-132-0007	.. UNIVERSAL MEMBER, 3 FT	8 EA	
	6	J11 8340-99-499-9176	.BAG, TENT FRAME BRACKETS	1 EA	
	7	J11 8340-99-132-0008	.. BRACKET (EAVES)	4 EA	
	8	J11 8340-99-132-0163	.. BRACKET (Y-PIECE)	4 EA	
9	J11 8340-99-132-0010	.. BASE, BRACKET	4 EA		

- NOT ILLUSTRATED

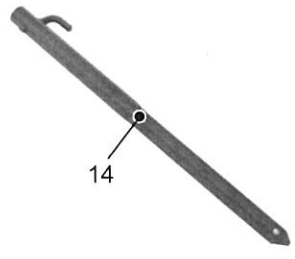
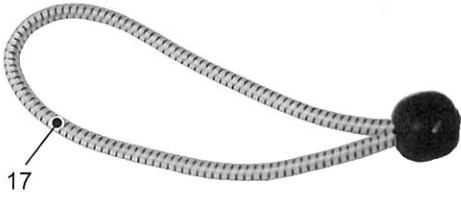
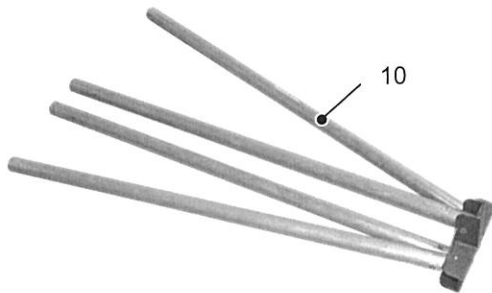


Fig 2 Shelter, Four Way Connector

CES

Fig. No Item No	DMC NSCM	Army NSN Part Number	Item Description and Annotations	No Off D of Q	Quantity on Issue
1 10	J11	8340-99-132-0164	.ROOF MEMBER	1 EA	
11	J11	8340-99-512-1482	.GROUNDSHEET, 4-WAY CONNECTOR	1 EA	
12	J11	8340-99-120-7745	.CONTAINER, TENT PIN	1 EA	
13	J11	8340-99-137-3895	.. PIN, TENT 400 MM STEEL	8 EA	
14	J11	8340-99-132-0028	.. PIN, TENT 300 MM STEEL	8 EA	
17	J11	8340-99-865-3035	.TENSIONER, LINER AND GROUNDSHEET (Only to be used with ITEM 1B)	1 EA	
18	J11	5120-99-910-4703	.HAMMER	1 EA	

- NOT ILLUSTRATED

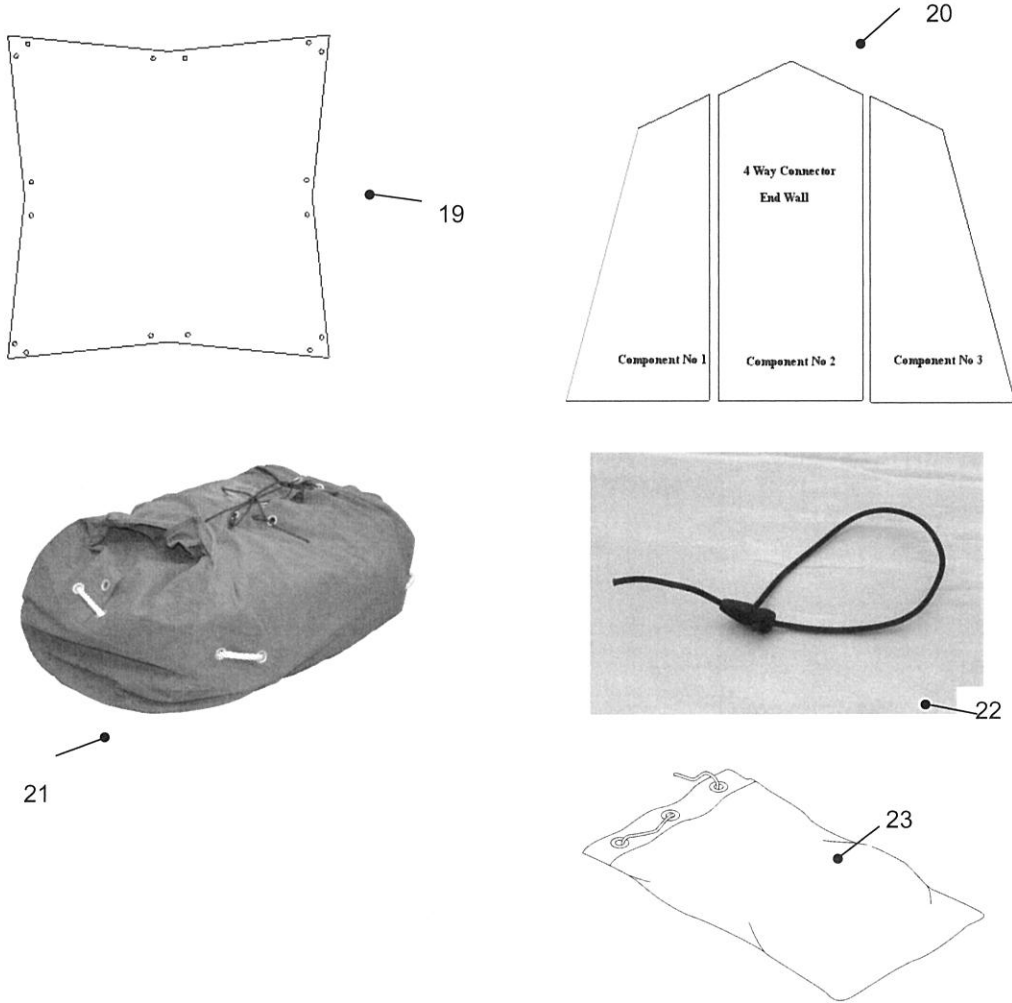


Fig 3 Shelter, Four Way Connector

IPC

Fig. No Item No	Army		Item Description and Annotations	No Off D of Q	Quantity of Issue
	DMC NSCM	NSN Part Number			
3	19	J11 8340-99-668-8994	ROOF INSULATION PANEL	1 EA	
	20	J11 8340-99-273-8266	MK 3 END WALL INSULATION PANEL	4 EA	
		J11 8340-99-380-7246	MK 3 END WALL INSULATION PANEL COMPONENT 1	4 EA	
		J11 8340-99-277-2547	MK 3 END WALL INSULATION PANEL COMPONENT 2	4 EA	
	J11 8340-99-297-9451	MK 3 END WALL INSULATION PANEL COMPONENT 3	4 EA		
21	J11 8105-99-216-3569	MK 3 BAG TRANSIT & STORAGE INSULATION PANEL GS SHELTER VARIOUS	1 EA		
22	J11 4020-99-908-8176	TENSIONER	110 EA		
23	J11 8105-99-474-7838	MK 3 BAG TRANSIT & STORAGE STRAP SET GS SHELTER VARIOUS	1 EA		

- NOT ILLUSTRATED

CHAPTER 3

INDEXES

CONTENTS

Para

- 1 Introduction

Chapter

- 3-1 Index of NATO stock numbers to chapter, figure and item numbers
- 3-2 Index of manufacturers' part/drawing numbers to chapter, figure and item numbers
- 3-3 Not issued
- 3-4 Not issued

INTRODUCTION

- 1 This Chapter identifies the indexes provided in support to the main parts list.

CHAPTER 3-1

INDEX OF NATO STOCK NUMBERS

TO

CHAPTER, FIGURE AND ITEM NUMBERS

CONTENTS

	Page
Index pages	3/4

**INDEX OF NATO STOCK NUMBERS
TO
CHAPTER, FIGURE AND ITEM NUMBERS**

NATO STOCK NUMBER	CHAPTER	FIG & ITEM	NATO STOCK NUMBER	CHAPTER	FIG & ITEM
8340-99-130-2184	2-1	NI			
8340-99-225-8186	2-1	NI			
8340-99-135-7100	2-1	1-2			
8340-99-943-1158	2-1	1-3			
8340-99-132-0009	2-1	1-4			
8340-99-132-0007	2-1	1-5			
8340-99-499-9176	2-1	1-6			
8340-99-132-0008	2-1	1-7			
8340-99-132-0163	2-1	1-8			
8340-99-132-0010	2-1	1-9			
8340-99-132-0164	2-1	2-10			
8340-99-512-1482	2-1	2-11			
8340-99-120-7745	2-1	2-12			
8340-99-137-3895	2-1	2-13			
8340-99-132-0028	2-1	2-14			
8340-99-865-3035	2-1	2-17			
5120-99-910-4703	2-1	2-18			
8340-99-668-8994	2-1	3-19			
8340-99-273-8266	2-1	3-20			
8340-99-380-7246	2-1				
8340-99-277-2547	2-1				
8340-99-297-9451	2-1				
8105-99-216-3569	2-1	3-21			
4020-99-908-8176	2-1	3-22			
8105-99-474-7838	2-1	3-23			

CHAPTER 3-2

INDEX OF MANUFACTURERS' PART/DRAWING NUMBERS

TO

CHAPTER, FIGURE AND ITEM NUMBERS

CONTENTS

	Page
Index pages	3/4

INDEX OF MANUFACTURERS' PART/DRAWING NUMBERS

TO

CHAPTER, FIGURE AND ITEM NUMBERS

MANUFACTURERS PART OR DWG NUMBERS	CHAPTER	FIG & ITEM	MANUFACTURERS PART OR DWG NUMBERS	CHAPTER	FIG & ITEM

COMMENT(S) ON AESP*

To: [Redacted]
 [Redacted]
 [Redacted]
 [Redacted]

From:

Senders Reference	BIN Number	Date
AESP* Title: COMPLETE EQUIPMENT SCHEDULE, SERVICE EDITION (SIMPLE EQUIPMENT)		
Chapter(s)/Instruction	Page(s)/Paragraph(s)	
If you require more space please use the reverse of this form or a separate piece of paper. Comment(s): 		

Signed: Telephone No:
 Name (Capitals): Rank/Grade: Date:
 ✂

FOR AESP* SPONSOR USE ONLY

To: From:

Thank you for commenting on AESP 8340-C-111-741

Your reference: Date:

Action is being taken to:	Tick	Tick
Issue a revised/amended AESP*		Under investigation
Incorporate comment(s) in future amendments		No action required
Remarks		

Signed: Telephone No:
 Name (Capitals): Rank/Grade: Date:
 * AESP or EMER



Ministry of Defence

**SHELTER, GENERAL PURPOSE
3.6 M x 3.6 M (12 FT x 12 FT) MK 4
NSN 8340-99-984-7785
NSN 8340-99-323-2286**

COMPLETE EQUIPMENT SCHEDULE (CES)

THIS DOCUMENT IS THE PROPERTY OF HER BRITANNIC MAJESTY'S GOVERNMENT, and is issued for the information of such persons only as need to know its contents in the course of their official duties. Any person finding this document should hand it to a British forces unit or to a police station for its safe return to the MINISTRY OF DEFENCE DBR-DefSy, MAIN BUILDING, WHITEHALL, LONDON SW1A 2HB with particulars of how it was found. THE UNAUTHORIZED RETENTION OR DESTRUCTION OF THIS DOCUMENT MAY BE AN OFFENCE UNDER THE OFFICIAL SECRETS ACTS OF 1911-1989. (When released to persons outside Government service, this document is issued on a personal basis. The recipient to whom it may be entrusted in confidence, within the provision of the Official Secrets Acts 1911-1989, is personally responsible for its safe custody and for seeing that its contents are disclosed only to authorized persons).

**Sponsored for use in the
UNITED KINGDOM MINISTRY OF DEFENCE
AND ARMED FORCES
By**



CONDITIONS OF RELEASE

~~This information is released by the UK Government for Defence purposes only.~~

~~This information must be afforded the same degree of protection as that afforded to information of an equivalent classification originated by the recipient Government or as required by the recipient Government's National Security regulations.~~

~~This information may be disclosed only within the Defence Department of the recipient Government, except as otherwise authorized by the Ministry of Defence (Army).~~

This information may be subject to privately owned rights.

© CROWN COPYRIGHT RESERVED

AMENDMENT RECORD

Amdt No	Incorporated By (Signature)	Date
1		
2		
3		
4		
5		
6		
7		
8		
9		
10		
11		
12		
13		
14		
15		
16		
17		
18		
19		
20		
21		
22		
23		
24		
25		
26		
27		
28		
29		
30		
31		

Amdt No	Incorporated By (Signature)	Date
32		
33		
34		
35		
36		
37		
38		
39		
40		
41		
42		
43		
44		
45		
46		
47		
48		
49		
50		
51		
52		
53		
54		
55		
56		
57		
58		
59		
60		
61		
62		

THIS PAGE INTENTIONALLY BLANK

CONTENTS

PRELIMINARY MATERIAL	Page
Front Cover (Title Page).....	i
Conditions of Release	ii
AMENDMENT RECORD.....	iii
CONTENTS.....	v
PREFACE.....	vi
INTRODUCTION.....	vi
Instructions for use by Units	vi
Initial issues by Royal Logistic Corps	vi
In lieu items.....	vii
General Notes.....	vii
Amendment.....	vii
Indentations	vii
Description	vii
RELATED AND ASSOCIATED PUBLICATIONS	viii
Related publications.....	viii
Associated publications	ix
ABBREVIATIONS.....	ix
WARNINGS AND CAUTIONS	x

ILLUSTRATED PARTS CATALOGUE (IPC)

(1)		
(2)	1	General Information
(3)	2	CES
(4)	2-1	Parts List 8340-99-984-7785
(5)	2-2	Parts List 8340-99-323-2286
(6)	2.3	Parts List Flooring
(7)	2-4	Repair Kit
(8)	3	Indexes
(9)	3-1	Index of NSN to Chapter and Page
(10)	3-1	Index of Manufacturers Part Number/Drawing Numbers

PREFACE

Sponsor:	DE&S OI
Project Number:	-
File Ref:	-
Publication Agency:	OI

INTRODUCTION

1. Any comments by service users on this publication should be forwarded through the channels prescribed in JSP (D) 543. The AESP Form 10 is now in an electronic format and must be used for forwarding comments on this AESP.
2. AESPs are issued under UK MOD authority and where AESPs specify action is to be taken, the AESP will of itself be sufficient authority for such action and also for the demanding of the necessary stores, subject to the provisions of Para 3 below.
3. The subject matter of this publication may be affected by Defence Instructions and Notices (DIN), Standard Operating Procedures (SOP) or by local regulations. When any such instruction, order or regulation contradicts any portion of this publication it is to be taken as the overriding authority.
4. The subject matter of this publication details information specific to Shelter, General Purpose 3.6M x 3.6M (12 ft x 12 ft) MK 4.
5. This Complete Equipment Schedule (CES) is designed as an aid to the identification of components, parts or assemblies of parts of the equipment and to provide information necessary for demanding spares.
6. This CES may list some or all of the parts comprising the equipment concerned, but only those parts assigned a NATO Stock Number, Service Catalogue or Reference Number will normally be available as spares. Should there be a requirement for an item not assigned a number, demands may be submitted quoting the AESP, Item Number, Figure Reference and Item Name. Where a manufacturers reference is known, this should also be quoted.

Instructions for use by Units

7. Detailed instructions for use by Units are given in JSP866 Volume 4, Part 200, Supply of Material.

Initial issues by Royal Logistic Corps

8. Initial issues as detailed below:
 - 8.1. One copy of the CES will be attached to the Unit's copy of the issue voucher and one further copy to accompany every equipment.
 - 8.2. Deficiencies (if any) will be annotated on the covering issue voucher by reference to the serial number of the items list in the simple CES.
 - 8.3. 'To follow' vouchers will not be created.
 - 8.4. All items listed in the CES can be issued separately. If any listed herein becomes unserviceable it should be extracted and exchanged and the equipment retained pending receipt. Transfers between equipment holders should normally be complete to CES.

In lieu items

9. Authorised 'in lieu' items held against this CES will not be replaced, until they are no longer serviceable. When replacement becomes necessary the correct item, as listed in the CES, will be demanded.

General Notes

10. Certain items may be annotated as follows:

10.1. (E) - Expendable stores, consumable stores and material, 'NON LEDGER' spare parts of minor value.

10.2. (X) - ESSENTIAL ITEMS without which the RLC will not issue the equipment.

10.3. (*) - Indicates the accountability classification of the item.

10.4. (NI) - (Not illustrated) when appearing with a number in the 'Fig Item' column indicates that the item is not illustrated.

10.5. (NIV) - (Not in Vocabulary) indicates that the item is not available within the Stores System.

Amendment

11. Amendments to the catalogue will be published when necessary. These will be numbered consecutively, and the amendment record sheet completed for each amendment list embodied. New or amended material will be highlighted by side lining to show the extent of the amendment.

Indentations

12. Items are listed in a logical assembly/disassembly order and are indented by the 'Dot System' in which each 'dot' depicts the relationship of the item to the main assembly.

MAIN ASSEMBLY

Attaching parts for main assembly.

. FIRST LEVEL OF BREAKDOWN (Sub-assembly or part of main assembly)

. Attaching parts for first level.

. . SECOND LEVEL OF BREAKDOWN (Sub-sub-assembly or detail part of Sub-assembly)

. . Attaching parts for second level.

Description

The item Description and Annotation Block is also to convey additional information to the CES user, which will appear in brackets i.e. related location detail, e.g. another AESP or Chapter/Item within this AESP.

RELATED AND ASSOCIATED PUBLICATIONS

Related publications

13. The Octad for the subject equipment consists of the publications shown below. All references are prefixed with the first eight digits of this publication. The availability of the publications can be checked by reference to the relevant Group Index (see AESP 0100-A-001-013).

Category/Sub-Category		Information Level				
		1 User/Operator	2 Unit Maintenance	3 Field Maintenance	4 Base Maintenance	
1	0	Purpose and Planning Information	101	101	101	101
	1	Equipment Support Policy Directives	*	*	*	*
2	0	Operating Information	*	*	*	*
	1	Aide Memoire	201	*	*	*
	2	Training Aids	*	*	*	*
3		Technical Description	*	*	*	*
4	1	Installation Instructions	*	*	*	*
	2	Preparation for Special Environments	*	*	*	*
5	1	Failure Diagnosis	*	*	*	*
	2	Repair Instructions	201	*	201	*
	3	Inspection Standards	201	*	*	*
	4	Calibration Procedures	*	*	*	*
6		Maintenance Schedules	201	201	201	*
7	1	Illustrated Parts Catalogues	711	711	711	711
	2	Commercial Parts Lists	*	*	*	*
	3	Complete Equipment Schedule, Production	*	*	*	*
	4	Complete Equipment Schedule, Service Edition (Simple Equipment)	741	741	741	741
	5	Complete Equipment Schedule, Service Edition (Complex Equipment)	*	*	*	*
8	1	Modification Instructions	*	*	*	*
	2	General Instructions, Special Technical Instructions and Servicing Instructions	*	*	*	*
	3	Service Engineered Modification Instructions (RAF only)	*	*	*	*

* Category/Sub-category not published.

Table 1: Related Publications

Associated publications

14. There are no associated publications applicable to this equipment.

ABBREVIATIONS

15. The following abbreviations are used in this AESP.

<u>Abbreviation</u>	<u>Nomenclature</u>
AESP	Army Equipment Support Publication
AFG	Army Form General
CES	Complete Equipment Schedule
DIN	Defence Instruction Notices
Fig	Figure
ft	feet (foot)
ft ³	feet cubed
in.	inch
IPC	Illustrated Parts Catalogue
kg	kilogram
lb	pound
LPC	Illustrated Parts Catalogue
m	metre
m ²	metres squared
m ³	metres cubed
mm	millimetres
NATO	North Atlantic Treaty Organisation
NI	Not Illustrated
NIV	Not in Vocabulary
NSCM	NATO Supply Code for Manufacturers
NSN	NATO Stock Number
Para	Paragraph
PPE	Personal Protective Equipment
RLC	Royal Logistics Corp
SOP	Standard Operating Procedures
TSP	Training Support Plan

WARNINGS AND CAUTIONS**HAZARDOUS SUBSTANCES**

16. Before using any hazardous substances or material, the user must be conversant with the safety precautions and first aid instructions:

- 16.1. On the label of the container it was supplied in.
- 16.2. On the material Safety Data Sheet.
- 16.3. In local Safety Orders and Regulations.

WARNINGS

- (1) **PERSONNEL INJURY/EQUIPMENT DAMAGE. SUFFICIENT PERSONNEL ARE REQUIRED WHEN LIFTING THE ASSEMBLED ROOF, THE MINIMUM IS ONE PERSON PER LEG.**
- (2) **PERSONNEL INJURY/CRUSH HAZARD. EXERCISE CAUTION WHEN ASSEMBLING POLES AND BRACKETS DUE TO THE RISK OF CRUSH INJURY TO FINGERS.**
- (3) **PERSONNEL INJURY. WHEN POLES ARE CURVED UNDER TENSION THERE IS A HIGH RISK THAT THEY MAY SLIP AND SPRING BACK TO THEIR STRAIGHT RELAXED POSITION. PERSONNEL SHOULD NOT POSITION THEMSELVES DIRECTLY IN FRONT OF THE POLES.**
- (4) **PERSONNEL INJURY/HEAVY WEIGHT. MINIMUM PERSONNEL NUMBERS REQUIRED TO LIFT OR MOVE THE SHELTER SHOULD BE OBSERVED.**
- (5) **PERSONNEL INJURY/BURN HAZARD. WHEN BURNING WEBBING TO PREVENT FRAYING, THE WEBBING WILL BECOME EXTREMELY HOT AND MELT.**
- (6) **PERSONNEL INJURY, WHEN FITTING OR RELEASING THE INSULATION TENSIONERS THERE IS A HIGH RISK THAT UNDER TENSION THEY MAY SLIP AND SPRING BACK AT PERSONNEL.**
- (7) **IT IS ESSENTIAL THAT THE BASE RESTRAINT STRAPS AND THE FRAME RESTRAINT STRAPS ARE FITTED TO THE FRAME BEFORE INSTALLING THE PVC COVERS. THIS ENSURES THAT THE FRAME IS RIDGID AND ENHANCES THE WIND RESISTANCE OF THE SHELTER AS WELL AS MAKING IT EASIER TO FIT THE COVERS.**
- (8) **WHEN REPAIRING PVC COVERS, THE TEXTILE NEEDS TO BE ABRAIDED. PVC DUST IS TOXIC AND SHOULD NOT BE INHALED. WEAR THE APPROPRIATE PPE.**
- (9) **WHEN REPAIRING PVC COVERS, A CONTACT ADHESIVE IS UTILISED. FOLLOW SAFETY DATA SHEET SUPPLIED WITH THE CONTACT ADHESIVE.**

CAUTIONS

- (1) **EQUIPMENT DAMAGE.** The shelter is to be pitched on firm level ground and it is essential that adequate anchorage or ballast be placed on the coated fabric sod cloths at the bottom of the wall and ends of the shelter. The listed tent pins or spoil from drainage trenches is suitable for this purpose and may be used in sandbags or other flexible containers, if available. Guy lines are also provided to give additional stability under high wind conditions.
- (2) **EQUIPMENT DAMAGE.** Wet textile should never be folded or packed unless circumstances render this unavoidable. Shelters should therefore be left to dry thoroughly before they are struck. If the shelter is not completely dry the officer in charge of the campsite or receiving unit is to be informed.
- (3) **EQUIPMENT DAMAGE.** All insulation panels can be added after the shelter has been erected EXCEPT the roof panel that must be attached to the frame prior to the covers.
- (4) **EQUIPMENT DAMAGE.** When lifting the roof, the supervisor must ensure that the lift is even along the length of the frame, thus avoiding distortion of the brackets and poles.
- (5) **EQUIPMENT DAMAGE.** The sunshade when fitted is to be erected prior to the shelter if possible or alternatively moved into position over the tent after assembly with the base restraint straps being added after it is in its final position. The ratchet straps should not be over tightened and never used if damaged.
- (6) **EQUIPMENT DAMAGE.** The shelter is to be erected on firm level ground, which has been cleared of any large stones or rubble.
- (7) **EQUIPMENT DAMAGE.** A power washer may be used at low pressure with warm water. Use judgement and caution regarding water pressure and temperature.
- (8) **EQUIPMENT DAMAGE.** Do not use solvents or detergents to clean the shelter as they will dissolve the protective coating on the fabric.
- (9) **EQUIPMENT DAMAGE.** Rips and tears must be repaired immediately to maintain the insulation integrity.
- (10) **EQUIPMENT DAMAGE.** The PVC covers are different from the cotton canvas covers in that they do not stretch. Fitting the end gables requires the frame to be in the correct position to fit the PVC cover spigots over the frame extensions using the appropriate straps. Do not under any circumstances force the canvas into position or use frame parts to lever the canvas into position.

THIS PAGE INTENTIONALLY BLANK

CHAPTER 1
GENERAL INFORMATION

CONTENTS

CHAPTER 1 1
 GENERAL INFORMATION 1
 CONTENTS 1
 MAIN CES LIST NSN 8340-99-984-7785 3
 MAIN CES LIST NSN 8340-99-323-2286 4
 MAIN CES NSN 8340-99-551-0054 5

Fig **Page**
 Figure 1: Shelter, general purpose 3.6 m x 3.6 m (12 ft x 12 ft) Mk 4 1
 Figure 2: NSN 8340-99-984-7785 Family Tree 2
 Figure 3: NSN 8340-99-323-2286 Family Tree 2

Table **Page**
 Table 2: Main CES NSN 8340-99-984-7785 3
 Table 3: Main CES NSN 8340-99-323-2286 4
 Table 4: Hard Floor NSN 8340-99-551-0054 5



Figure 1: Shelter, general purpose 3.6 m x 3.6 m (12 ft x 12 ft) Mk 4

1. The equipment is designated:

SHELTER, GENERAL PURPOSE 3.6 M X 3.6 M (12 FT X 12 FT) MK 4
 NATO Stock no 8340-99-984-7785 for the basic shelter
 NATO Stock no 8340-99-323-2286 for the shelter including insulation

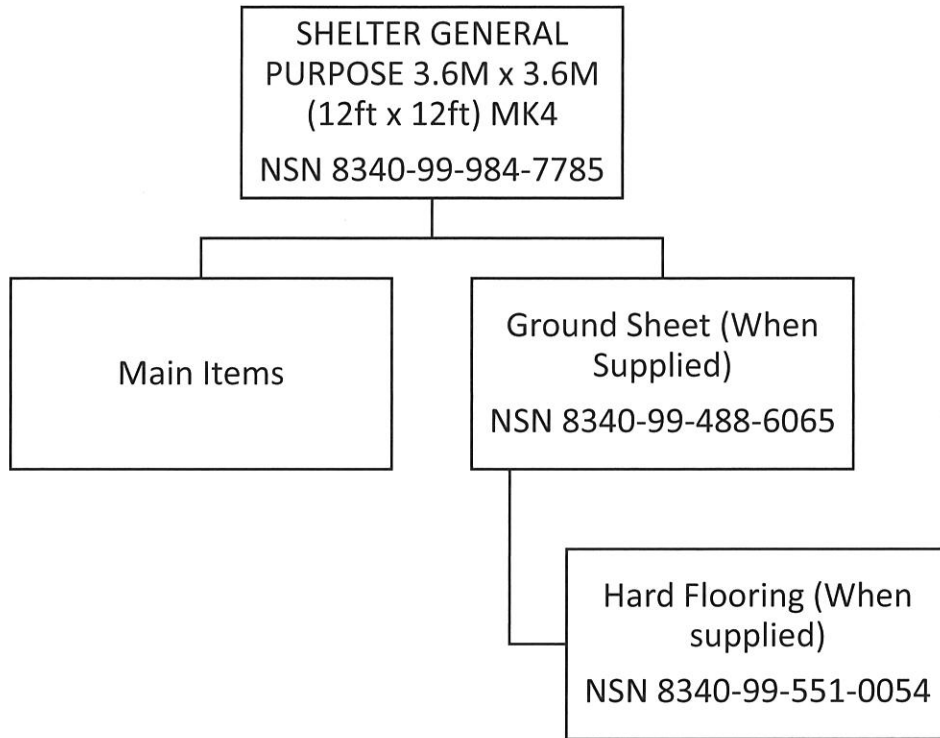


Figure 2: NSN 8340-99-984-7785 Family Tree

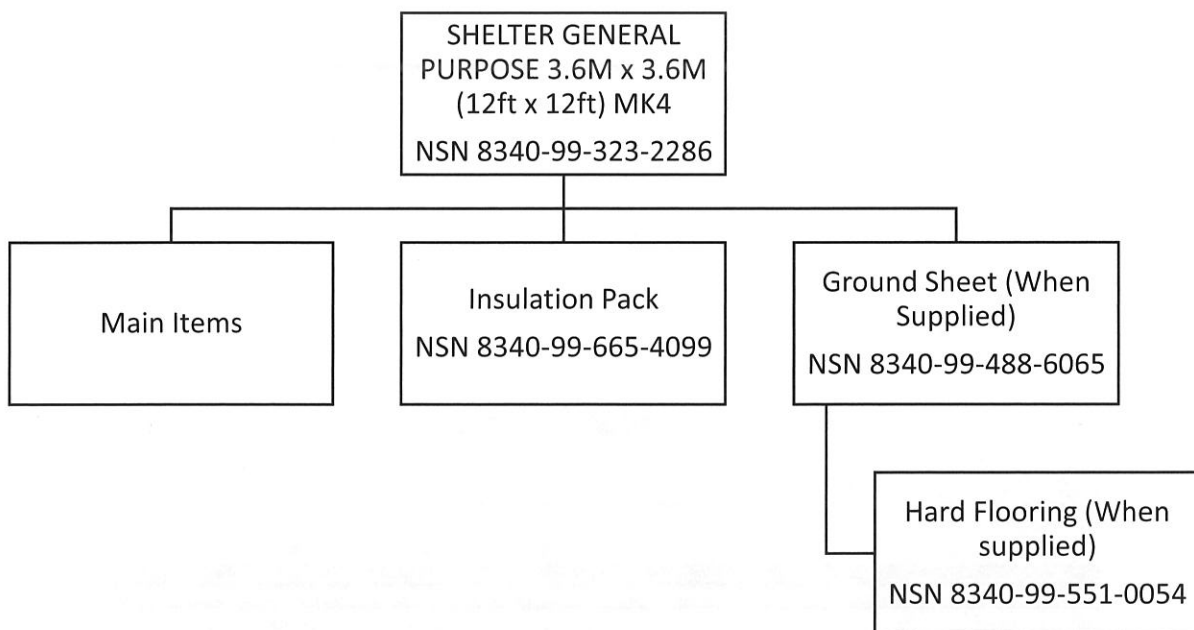


Figure 3: NSN 8340-99-323-2286 Family Tree

MAIN CES LIST NSN 8340-99-984-7785

Fig. No Item No	Army		Item Description and Annotations	No Off D of Q	Annotation (NSCM)
	DMC NSCM	NSN Part Number			
0	J11	8340-99-984-7785	TENT, SHELTER, GENERAL PURPOSE 3.6 m X 3.6 m (12 FT X 12 FT) Mk 4	1	
1	J11	8340-99-984-7785	MAIN ITEMS	N/A	CHAP 2-1, FIG 4 & 5

Table 2: Main CES NSN 8340-99-984-7785

MAIN CES LIST NSN 8340-99-323-2286

Fig. No Item No	Army		Item Description and Annotations	No Off D of Q	Annotation (NSCM)
	DMC NSCM	NSN Part Number			
0	J11	8340-99-323-2286	SHELTER, GENERAL PURPOSE 3.6 M X 3.6 M (12 FT X 12 FT) MK 4	1	
1	J11	8340-99-323-2286	MAIN ITEMS	N/A	CHAP 2-2, FIG 6 & 7
2	J11	8340-99-665-4099	INSULATION PACK	N/A	CHAP 2-2 FIG 8

Table 3: Main CES NSN 8340-99-323-2286

MAIN CES NSN 8340-99-551-0054

Fig. No Item No	Army		Item Description and Annotations	No Off D of Q	Annotation (NSCM)
	DMC NSCM	NSN Part Number			
(9) 1	J11	8340-99-958-8986	HARD FLOORING (m ²)	17 m ²	CHAP 2-3, FIG 9

Table 4: Hard Floor NSN 8340-99-958-8986

THIS PAGE INTENTIONALLY BLANK

CHAPTER 2

COMPLETE EQUIPMENT SCHEDULE (CES)

CONTENTS

Chapter

2-1 Main Items 8340-99-984-7785

2-2 Main Items 8340-99-323-2286

2.3 Flooring

2-4 Repair Kit

THIS PAGE INTENTIONALLY BLANK

CHAPTER 2-1
COMPLETE EQUIPMENT SCHEDULE (CES)
MAIN ITEMS FOR NSN 8340-99-984-7785

CONTENTS

CHAPTER 2-1	1
COMPLETE EQUIPMENT SCHEDULE (CES).....	1
MAIN ITEMS FOR NSN 8340-99-984-7785.....	1
CONTENTS	1
SHELTER MAIN ITEMS FOR NSN 8340-99-984-7785	3

Fig	Page
Figure 4: Tent, Shelter, General Purpose 3.6 m x 3.6 m (12 ft x 12 ft) Mk4	2
Figure 5: Tent, Shelter, General Purpose 3.6 m x 3.6 m (12 ft x 12 ft) Mk4 continued	4
Figure 4: Tent, Shelter, General Purpose 3.6 m x 3.6 m (12 ft x 12 ft) Mk4	2
Figure 5: Tent, Shelter, General Purpose 3.6 m x 3.6 m (12 ft x 12 ft) Mk4 continued	4

Table	Page
Table 5: Shelter Main Items	3
Table 6: Shelter Main Items continued.....	5

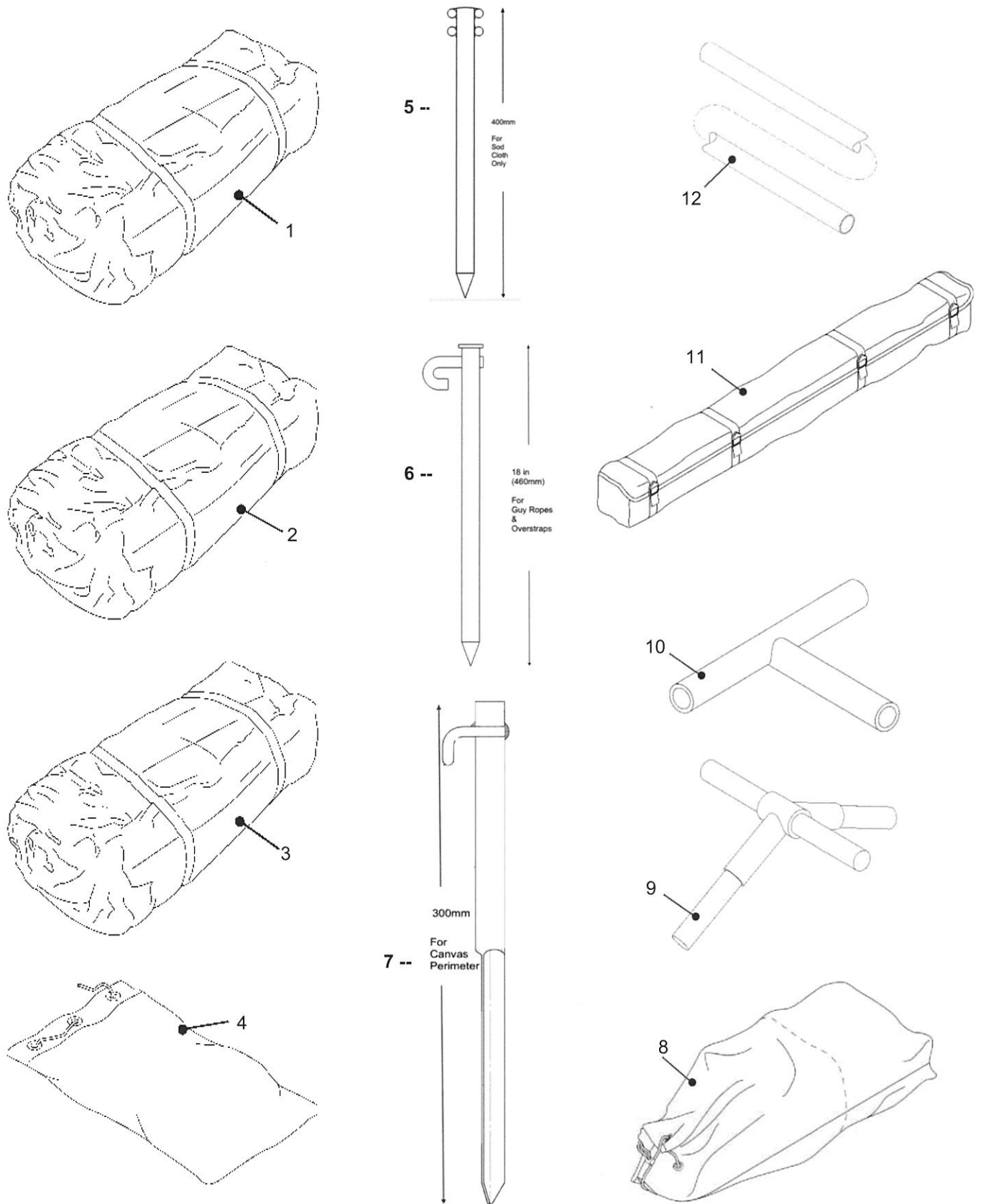


Figure 4: Tent, Shelter, General Purpose 3.6 m x 3.6 m (12 ft x 12 ft) Mk4

SHELTER MAIN ITEMS FOR NSN 8340-99-984-7785

Fig. No Item No	Army		Item Description and Annotations	No Off D of Q	Quantity on Issue
	DMC NSCM	NSN Part Number			
(4) 1	J11	8340-99-321-2752 (8340-99-212-1648)	VALISE, SHELTER	1 EA	
(4) 2A	J11	8340-99-282-9697 (8340-99-147-7465)	END SECTION MK 4	2 EA	
(4) 2B	J11	8340 99 844 1160 (8340-99-369-1162)	END SECTION MK 4, PASSAGE END (Alternative to 8340-99-282-9697 for porch or passageway)	0 EA	
(4) 3	J11	8340 99 872 2429 (8340-99-380-6448)	ROOF AND WALLS SECTION MK 4	1 EA	
(4) 4	J11	8340-99-120-7745 (8340-99-990-9129)	CONTAINER, TENT PIN	2 EA	
(4) 5	J11	8340-99-137-3895	PIN, TENT 400 MM STEEL	24 EA	
(4) 6	J11	8340-99-943-9052	PIN, TENT 18 in STEEL	6 EA	
(4) 7	J11	8340-99-132-0028	PIN, TENT 300 MM STEEL	24 EA	
(4) 8	J11	8340-99-499-9176	BAG, TENT FRAME BRACKETS	1 EA	
(4) 9	J11	8340-99-120-6726	RIDGE AND EAVES, BRACKET	9 EA	
(4) 10	J11	8340-99-120-6727	BASE, BRACKET	6 EA	
(4) 11	J11	8340-99-488-6307	BAG, TENT FRAME POLES	1 EA	
(4) 12	J11	8340-99-120-6725	UNIVERSAL MEMBER	22 EA	

Table 5: Shelter Main Items

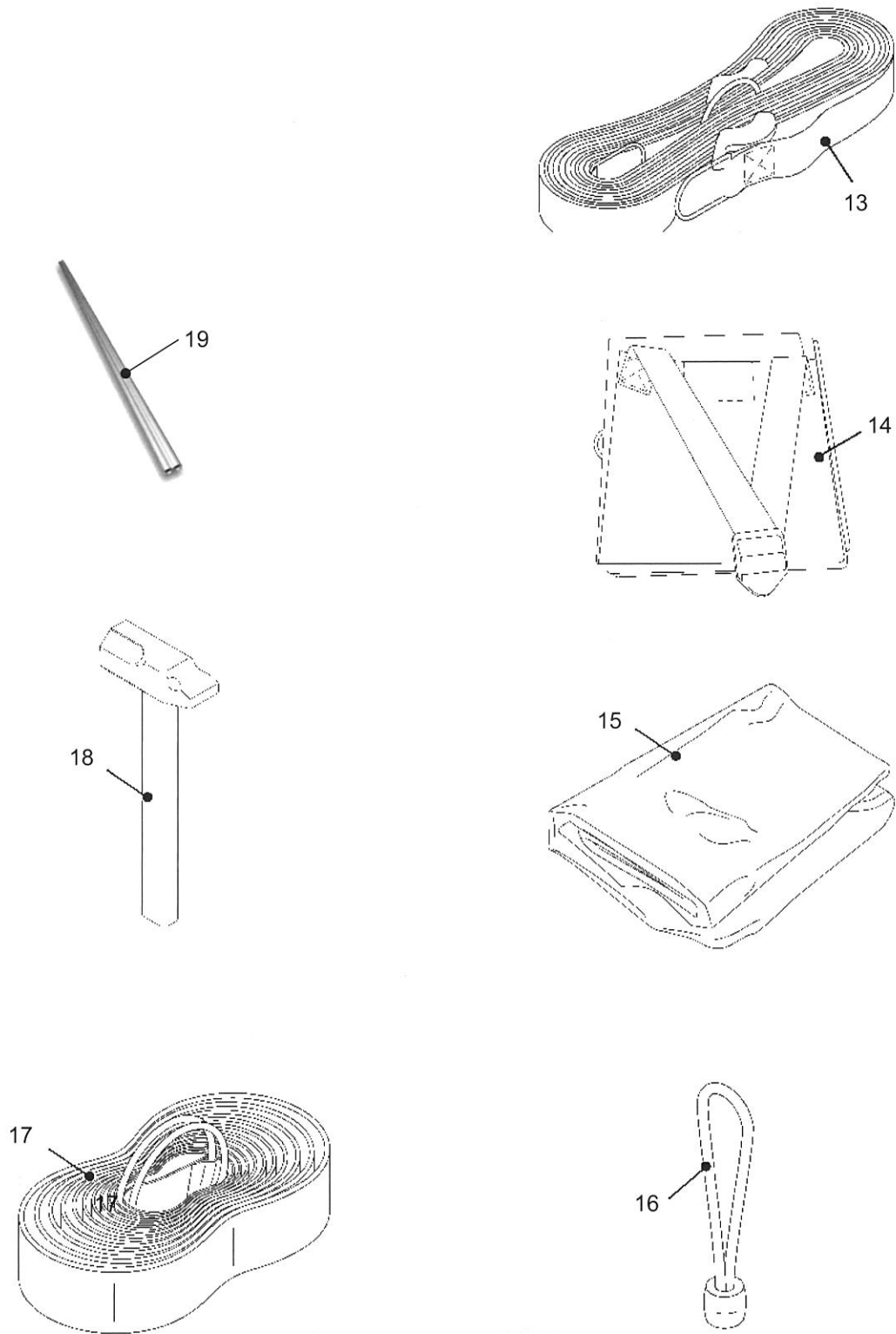


Figure 5: Tent, Shelter, General Purpose 3.6 m x 3.6 m (12 ft x 12 ft) Mk4 continued

Fig. No Item No	Army		Item Description and Annotations	No Off D of Q	Quantity on Issue
	DMC NSCM	NSN Part Number			
(5) 13	J11	8340-99-270-7535	END GUY, QUICK RELEASE	2 EA	
(5) 14	J11	8340-99-477-1544	OVERSTRAP	1 EA	
(5) 15	J11	8340-99-488-6065	GROUNDSHEET 12 FT X 12 FT	1 EA	
(5) 16	J11	8340-99-865-3035	TENSIONER, LINER AND GROUNDSHEET	20 EA	
(5) 17	F1	8340-99-892-4503	STRAP, BASE RESTRAINT	3 EA	
(5) 18	J11	5120-99-910-4703	HAMMER, HAND	1 EA	
(5) 19	J11	9390-99-477-5695	KEDER RAIL	16 EA	
(5) 20 NI	J11	8340-99-988-3214	STRAP, ADJUSTABLE ROOF RESTRAINT	2 EA	

Table 6: Shelter Main Items continued

NOTE

Item 19 of Table 6 is only required when utilising the keder system to connect the tent, this is not required if utilising dutch lacing.

THIS PAGE INTENTIONALLY BLANK

CHAPTER 2-2

COMPLETE EQUIPMENT SCHEDULE (CES)

MAIN ITEMS FOR NSN 8340-99-323-2286

CONTENTS

CHAPTER 2-2	1
COMPLETE EQUIPMENT SCHEDULE (CES).....	1
MAIN ITEMS FOR NSN 8340-99-323-2286.....	1
CONTENTS	1
SHELTER MAIN ITEMS FOR NSN 8340-99-323-2286	3
INSULATION ITEMS NSN 8340-99-665-4099	7

Fig	Page
Figure 6: Tent, Shelter, General Purpose 3.6 m x 3.6 m (12 ft x 12 ft) Mk4	2
Figure 7: Tent, Shelter, General Purpose 3.6 m x 3.6 m (12 ft x 12 ft) Mk4 continued	4
Figure 8: Tent, Insulation, General Purpose 3.6 m x 3.6 m (12 ft x 12 ft) Mk4	6

Table	Page
Table 7: Shelter Main Items	3
Table 8: Shelter Main Items continued.....	5
Table 9: Insulation CES.....	7

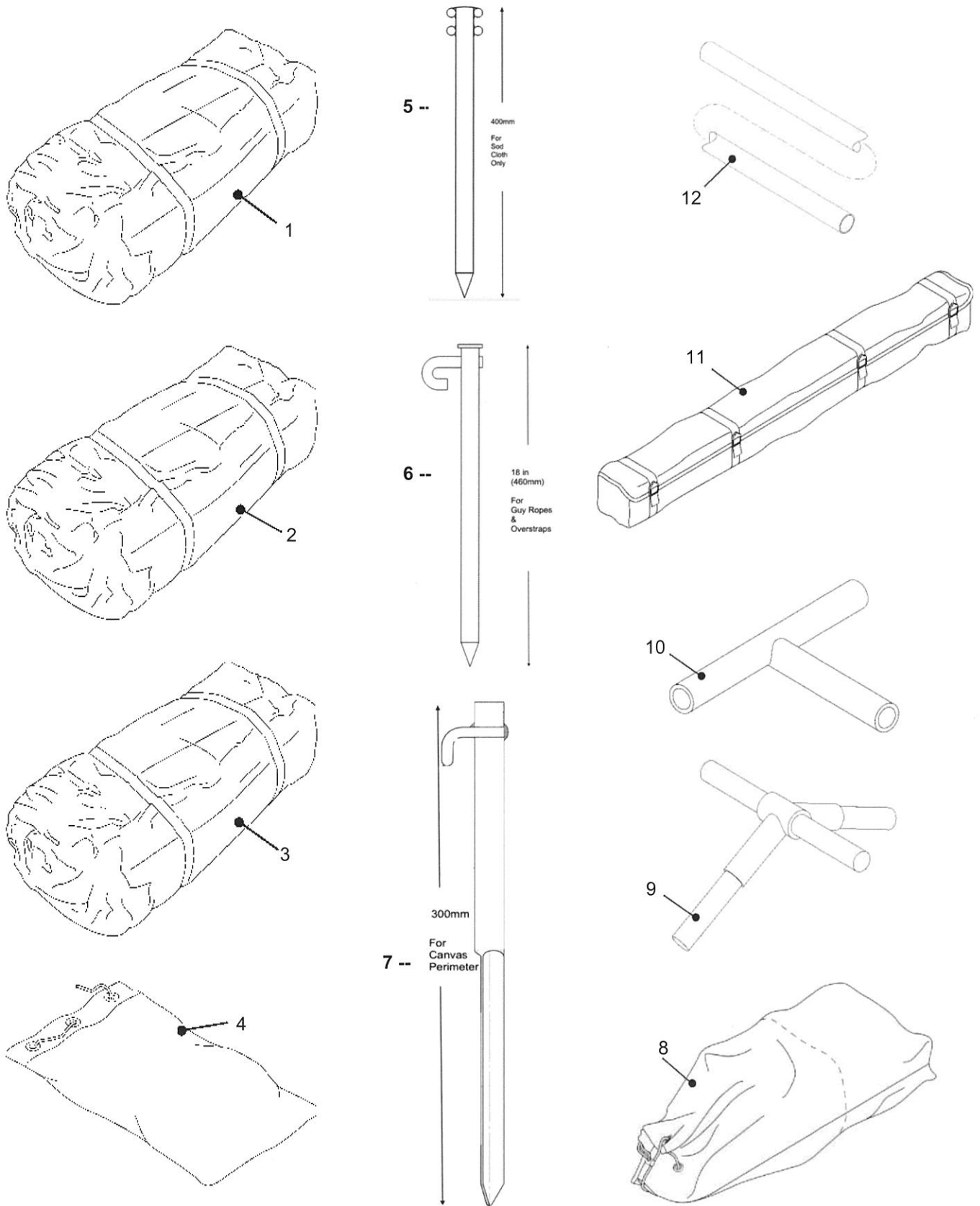


Figure 6: Tent, Shelter, General Purpose 3.6 m x 3.6 m (12 ft x 12 ft) Mk4

SHELTER MAIN ITEMS FOR NSN 8340-99-323-2286

Fig. No Item No	Army		Item Description and Annotations	No Off D of Q	Quantity on Issue
	DMC NSCM	NSN Part Number			
(6) 1	J11	8340-99-321-2752 (8340-99-212-1648)	VALISE, SHELTER	1 EA	
(6) 2A	J11	8340-99-282-9697 (8340-99-147-7465)	END SECTION MK 4	2 EA	
(6) 2B	J11	8340 99 844 1160 (8340-99-369-1162)	END SECTION MK 4, PASSAGE END (Alternative to 8340-99-282-9697 for porch or passageway)	0 EA	
(6) 3	J11	8340 99 872-2429 (8340-99-380-6448)	ROOF AND WALLS SECTION MK 4	1 EA	
(6) 4	J11	8340-99-120-7745 (8340-99-990-9129)	CONTAINER, TENT PIN	2 EA	
(6) 5	J11	8340-99-137-3895	PIN, TENT 400 MM STEEL	24 EA	
(6) 6	J11	8340-99-943-9052	PIN, TENT 18 in STEEL	6 EA	
(6) 7	J11	8340-99-132-0028	PIN, TENT 300 MM STEEL	24 EA	
(6) 8	J11	8340-99-499-9176	BAG, TENT FRAME BRACKETS	1 EA	
(6) 9	J11	8340-99-120-6726	RIDGE AND EAVES, BRACKET	9 EA	
(6) 10	J11	8340-99-120-6727	BASE, BRACKET	6 EA	
(6) 11	J11	8340-99-488-6307	BAG, TENT FRAME POLES	1 EA	
(6) 12	J11	8340-99-120-6725	UNIVERSAL MEMBER	22 EA	

Table 7: Shelter Main Items

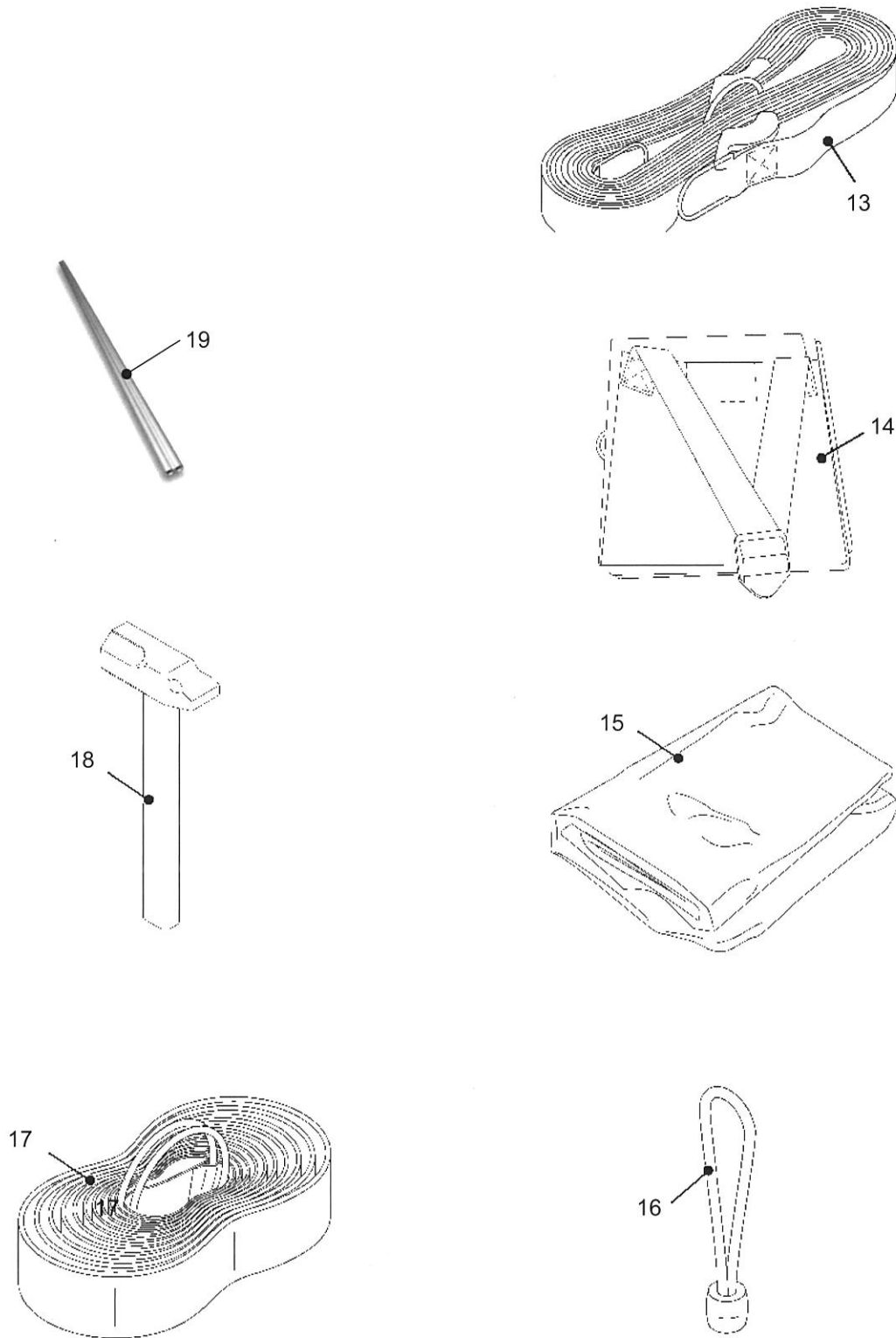


Figure 7: Tent, Shelter, General Purpose 3.6 m x 3.6 m (12 ft x 12 ft) Mk4 continued

Fig. No Item No	Army		Item Description and Annotations	No Off D of Q	Quantity on Issue
	DMC NSCM	NSN Part Number			
(7) 13	J11	8340-99-270-7535	END GUY, QUICK RELEASE	2 EA	
(7) 14	J11	8340-99-477-1544	OVERSTRAP	1 EA	
(7) 15	J11	8340-99-488-6065	GROUNDSHEET 12 FT X 12 FT	1 EA	
(7) 16	J11	8340-99-865-3035	TENSIONER, LINER AND GROUNDSHEET	20 EA	
(7) 17	F1	8340-99-892-4503	STRAP, BASE RESTRAINT	3 EA	
(7) 18	J11	5120-99-910-4703	HAMMER, HAND	1 EA	
(7) 19	J11	9390-99-477-5695	KEDER RAIL	16 EA	
(7) 20 NI	J11	8340-99-988-3214	STRAP, ADJUSTABLE ROOF RESTRAINT	2 EA	

Table 8: Shelter Main Items continued

NOTE

Item 19 of Table 8 is only required when utilising the keder system to connect the tent, this is not required if utilising dutch lacing.

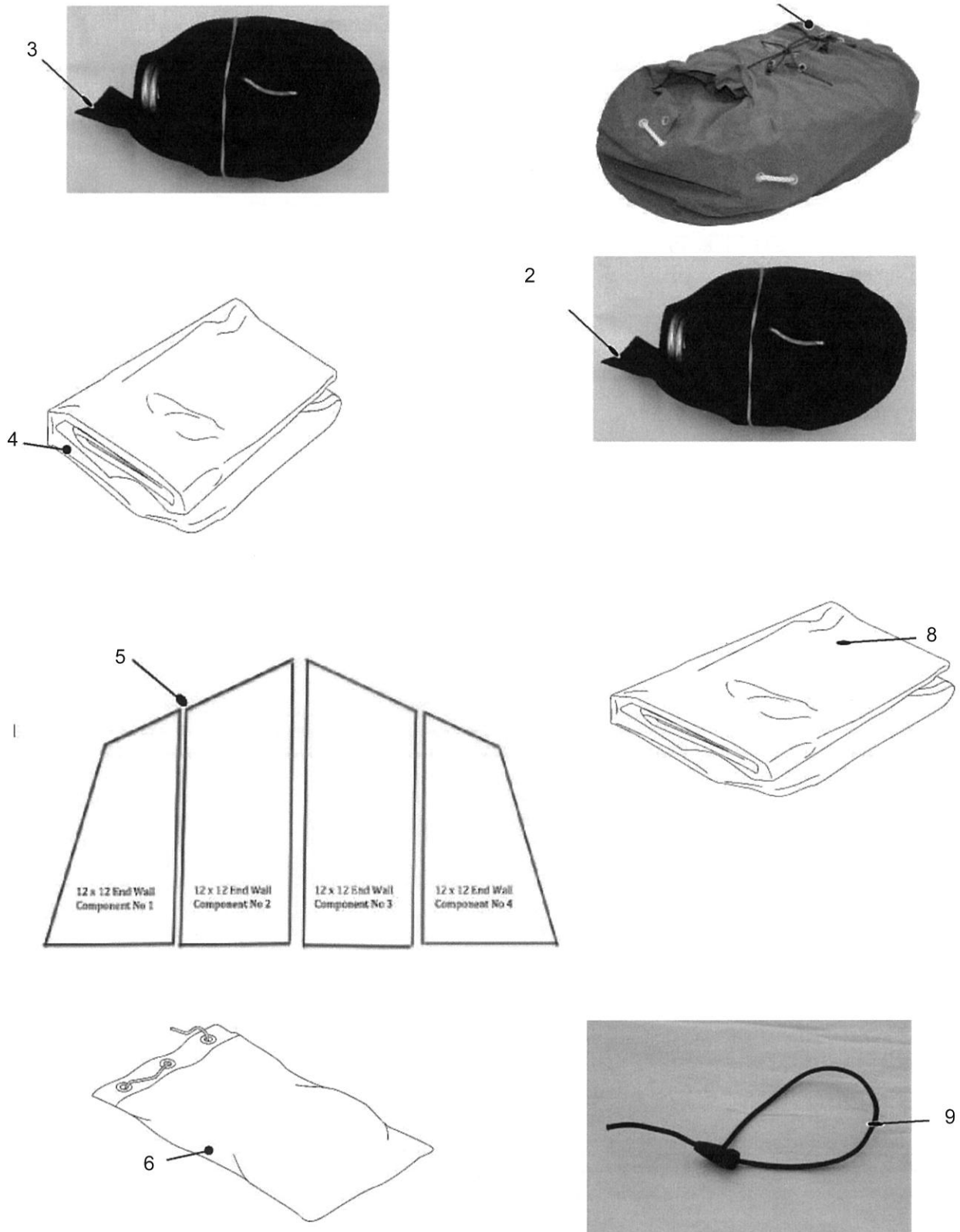


Figure 8: Tent, Insulation, General Purpose 3.6 m x 3.6 m (12 ft x 12 ft) Mk4

INSULATION ITEMS NSN 8340-99-665-4099

Fig. No Item No	Army		Item Description and Annotations	No Off D of Q	Quantity on Issue
	DMC NSCM	NSN Part Number			
(8) 0	J11	8340-99-994-5836	INSULATION PACK	REF	
(8) 1	J11	8105-99-216-3569	BAG TRANSIT & STORAGE INSULATION	2 EA	
(8) 2	J11	8340-99-988-3214	STRAP, ADJUSTABLE ROOF RESTRAINT	0 EA	See Note
(8) 3	J11	8340-99-839-8723	STRAP, ADJUSTABLE, INSULATION SUPPORT	2 EA	
(8) 4	J11	8340-99-490-5313	INSULATION PANEL, ROOF	1 EA	
(8) 5	J11	8340-99-839-8711	INSULATION PANEL, END WALL MK 4	2 EA	
(8) 5	J11	8340-99-742-5642	COMPONENT NO 1 INSULATION PANEL, END WALL MK 4	2 EA	See Note
(8) 5	J11	8340-99-216-2897	COMPONENT NO 2 INSULATION PANEL, END WALL MK 4	2 EA	See Note
(8) 5	J11	8340-99-861-9778	COMPONENT NO 3 INSULATION PANEL, END WALL MK 4	2 EA	See Note
(8) 5	J11	8340-99-153-6619	COMPONENT NO 4 INSULATION PANEL, END WALL MK 4	2 EA	See Note
(8) 6	J11	8105-99-474-7838	BAG, TRANSIT & STORAGE STRAP SET, GS SHELTER VARIOUS	1 EA	
(8) NI	J11	8340-99-668-8988	SIDE WALL INSULATION PANEL	2 EA	
(8) 7	J11	8340-99-985-9678	COMPONENT No 1 INSULATION PANEL, SIDE WALL MK 4	8 EA	
(8) NI	J11	8340-99-398-7468	COMPONENT No 2 HVAC INSULATION PANEL, SIDE WALL MK 4	2 EA	
(8) 8	J11	4020-99-908-8176	TENSIONER	110 EA	

Table 9: Insulation CES

NOTE

Item 3 in Table must be fitted with insulation and is now part of the Main Items List.

Item 6 in Table 9 INSULATION PANEL, END WALL MK 4, NSN 8340-99-839-8711 includes the following panels:-

- COMPONENT NO 1 INSULATION PANEL, END WALL MK 4 NSN 8340-99-742-5642
- COMPONENT NO 2 INSULATION PANEL, END WALL MK 4 NSN 8340-99-216-2897
- COMPONENT NO 3 INSULATION PANEL, END WALL MK 4 NSN 8340-99-861-9778
- COMPONENT NO 4 INSULATION PANEL, END WALL MK 4 NSN 8340-99-153-6619

These components should only be demanded when replacing a damaged component of the end wall.

Item 2, 2 off is called up on the tent main items.

CHAPTER 2-3

COMPLETE EQUIPMENT SCHEDULE (CES)

HARD FLOORING FOR NSN 8430-99-958-8986

CONTENTS

CHAPTER 2-3	1
COMPLETE EQUIPMENT SCHEDULE (CES).....	1
HARD FLOORING FOR NSN 8430-99-958-8986	1
CONTENTS	1
HARD FLOORING LIST NSN 8340-99-958-8986	3

Fig	Page
Figure 9: Hard Flooring.....	2

Table	Page
Table 10: Hard Floor NSN 8340-99-551-0054	3

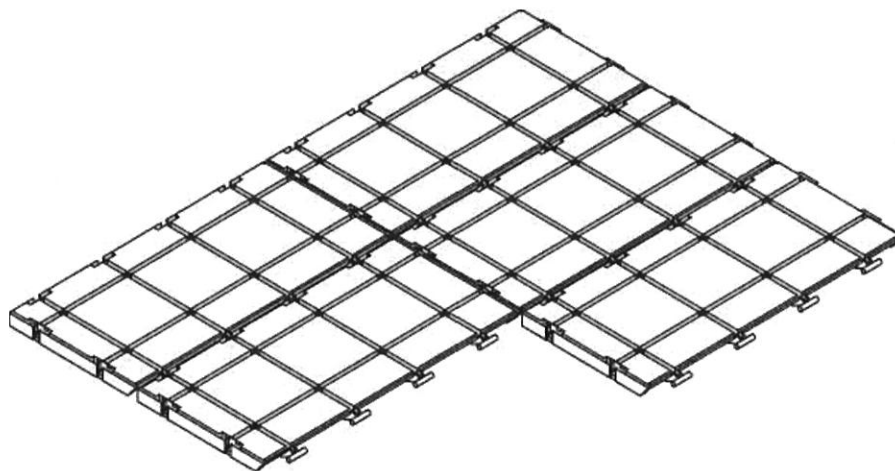


Figure 9: Hard Flooring

HARD FLOORING LIST NSN 8340-99-958-8986

Fig. No Item No	Army		Item Description and Annotations	No Off D of Q	Quantity on Issue
	DMC NSCM	NSN Part Number			
(9) 1	J11	8340-99-958-8986	HARD FLOORING (m ²)	17 m ²	

Table 10: Hard Floor NSN 8340-99-958-8986

THIS PAGE INTENTIONALLY BLANK

CHAPTER 2-4
COMPLETE EQUIPMENT SCHEDULE (CES)

REPAIR KIT

CONTENTS

CHAPTER 2-4	1
COMPLETE EQUIPMENT SCHEDULE (CES).....	1
REPAIR KIT.....	1
CONTENTS.....	1

Fig	Page
Figure 10: Repair Kit.....	2

Table	Page
Table 11: Repair Kit NSN 8340-99-362-8303	3



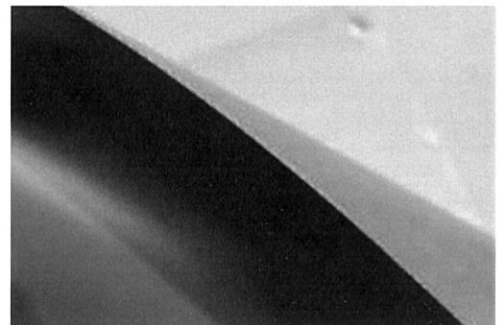
1



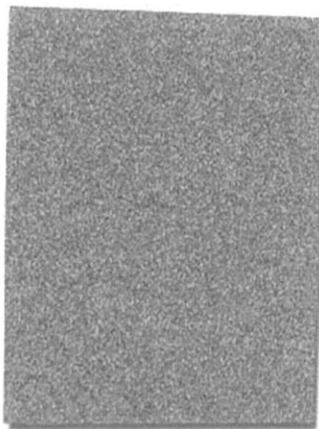
2



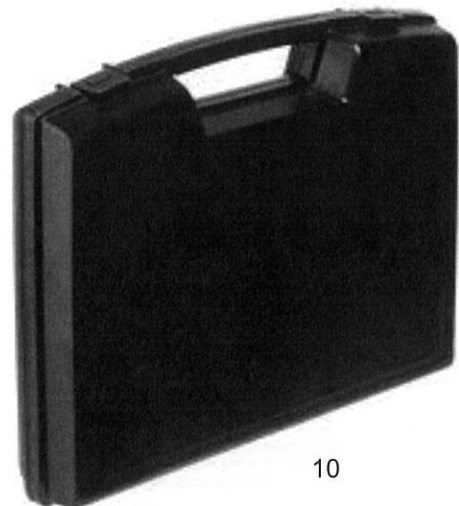
3



4



8



10

Figure 10: Repair Kit

Fig. No Item No	Army		Item Description and Annotations	No Off D of Q	Quantity on Issue
	DMC NSCM	NSN Part Number			
0	J11	8340-99-362-8303	REPAIR KIT, TENTAGE	1	
(10) 1		HH-66-236ml	HH-66 VINYL CEMENT – TIN 236ml	1 EA	
(10) 2		002041	BLACK ADHESIVE TAPE	1 EA	
(10) 3		002044	TRIANGULAR FILE	1 EA	
(10) 4		003/P5001	STANDARD FABRIC - GREEN GREY	1 m ²	
(10) NI 5		004/P5001	OFCS FABRIC - GREEN GREEN	1 m ²	
(10) NI 6		005/P5001	FLOOR FABRIC - GREEN	1m ²	
(10) NI 7		006/P5001	FLY SCREEN MATERIAL	1m ²	
(10) 8		002045	SANDING PAPER	1 EA	
(10) 9		002042	CUTTER 18mm	1 EA	
(10) 10		004402	PLASTIC BOX	1 EA	
(10) NI 11		007/P5001	REPAIR INSTRUCTION SHEET	1 EA	
(10) NI 12		HH-66 & PVC Canvas	SAFETY DATA SHEET	1 EA	

Table 11: Repair Kit NSN 8340-99-362-8303

THIS PAGE INTENTIONALLY BLANK

CHAPTER 3

INDEXES

CONTENTS

CHAPTER 3	1
INTRODUCTION	1

INTRODUCTION

2. This Chapter identifies the indexes provided in support to the main parts list.

THIS PAGE INTENTIONALLY BLANK

CHAPTER 3-1

INDEX OF NATO STOCK NUMBERS

CONTENTS

CHAPTER 3-1	1
INDEX OF NATO STOCK NUMBERS	1
INDEX OF NATO STOCK NUMBERS	Error! Bookmark not defined.
Table	Page
Table 12: Index of NATO Stock Number.....	2

INDEX OF NATO STOCK NUMBERS

NATO STOCK NUMBER	CHAPTER 2-SUB-CHAP	FIG & ITEM	NATO STOCK NUMBER	CHAPTER 2-SUB-CHAP	FIG & ITEM
8340-99-321-2752	2-1	4-1	5120-99-910-4703	2-2	7-18
8340-99-282-9697	2-1	4-2A	9390-99-477-5695	2-2	7-19
8340 99 844 1160	2-1	4-2B	8340-99-988-3214	2-2	7-20
8340-99-872-2429	2-1	4-3	8340-99-994-5836	2-2	8-0
8340-99-120-7745	2-1	4-4	8105-99-216-3569	2-2	8-1
8340-99-137-3895	2-1	4-5	8340-99-988-3214	2-2	8-2
8340-99-943-9052	2-1	4-6	8340-99-839-8723	2-2	8-3
8340-99-132-0028	2-1	4-7	8340-99-490-5313	2-2	8-4
8340-99-499-9176	2-1	4-8	8340-99-839-8711	2-2	8-5
8340-99-120-6726	2-1	4-9	8340-99-742-5642	2-2	8-NI
8340-99-120-6727	2-1	4-10	8340-99-216-2897	2-2	8-NI
8340-99-488-6307	2-1	4-11	8340-99-861-9778	2-2	8-NI
8340-99-120-6725	2-1	4-12	8340-99-153-6619	2-2	8-NI
8340-99-270-7535	2-1	5-13	8105-99-474-7838	2-2	8-6
8340-99-477-1544	2-1	5-14	8340-99-668-8988	2-2	8-NI
8340-99-488-6065	2-1	5-15	8340-99-985-9678	2-2	8-7
8340-99-865-3035	2-1	5-16	8340-99-398-7468	2-2	8-NI
8340-99-326-5994	2-1	5-17	4020-99-908-8176	2-2	8-8
5120-99-910-4703	2-1	5-18	8340- 99- 551- 0054	2-3	9-1
8340-99-988-3214	2-1	5-19	8340- 99- 362- 8303	2-4	10-0
9390-99-477-5695	2-1	5-20			
8340-99-321-2752	2-2	6-1			
8340-99-282-9697	2-2	6-2A			
8340 99 844 1160	2-2	6-2B			
8340-99-872-2429	2-2	6-3			
8340-99-120-7745	2-2	6-4			
8340-99-137-3895	2-2	6-5			
8340-99-943-9052	2-2	6-6			
8340-99-132-0028	2-2	6-7			
8340-99-499-9176	2-2	6-8			
8340-99-120-6726	2-2	6-9			
8340-99-120-6727	2-2	6-10			
8340-99-488-6307	2-2	6-11			
8340-99-120-6725	2-2	6-12			
8340-99-270-7535	2-2	7-13			
8340-99-477-1544	2-2	7-14			
8340-99-488-6065	2-2	7-15			
8340-99-865-3035	2-2	7-16			
8340-99-326-5994	2-2	7-17			

Table 12: Index of NATO Stock Number

CHAPTER 3-2

INDEX OF MANUFACTURERS' PART/DRAWING NUMBERS

TO

CHAPTER, FIGURE AND ITEM NUMBERS

CONTENTS

CHAPTER 3-2	1
INDEX OF MANUFACTURERS' PART/DRAWING NUMBERS.....	1
INDEX OF MANUFACTURERS' PART/DRAWING NUMBERS	2
Table	Page
Table 13: Index of Manufacturers' Part Numbers	2

ARMY EQUIPMENT AND SUPPORT PUBLICATION (AESP) AND ELECTRICAL AND
MECHANICAL ENGINEERING REGULATIONS (EMER) - FORM 10

*AESP/EMER NUMBER:		*IS THIS SAFETY RELATED? Yes <input type="checkbox"/> No <input type="checkbox"/>	
Send Form 10 via the Email or Post address. However email is <u>preferred</u> .		Tel: [REDACTED] or [REDACTED]	
Email: [REDACTED]		Post to: [REDACTED]	
(To email this form send as a copy to the email address above)			
ORIGINATORS DETAILS			
*Address	*Name		
	Rank / Grade		
	*Phone		
	*Senders Reference		
	*Date Raised		
* E-Mail	Eqpt Asset Code (if applicable)		
AESP/EMER DETAILS			
*Full Title of AESP/EMER (Not the AESP/EMER Number)			
*Edition	*Amendment	*Chapter	*Page
			*Paragraph
			Figure
			Instruction
			Other
*Comments: If additional information is to be supplied, please e-mail with the Form 10 as separate attachments.			
FORM 10 CELL USE			
*Date Received		*Form 10 Reference	
*Date Sent to PT / SME		Problem Report	
PROJECT TEAM / SME RESPONSE TO COMMENTS:			
Project Team (PT) / SME		*Sponsors Name	
*Phone		Rank / Grade	
*Email		*Date Received	
*The following action is to be carried out:		Mark:	Mark:
Issue a revised/amended AESP/EMER:			Under investigation:
Incorporate comment(s) in future amendments:			No action required:
Remarks:			
SPONSOR/PT FINAL CLOSURE STEPS		Mark:	Date:
Form 10 Originator notified of the action taken:			

AESP Form 10 (Issue 6.2 dated July 13)

* Mandatory Fields for Originator

* Mandatory Fields for Sponsor.

- ---
-
-

-

-

- ---
- ---

-
-
-
-

-
-
-
-
-
-
-
-
-

-
-



Ministry of Defence

**SHELTER, OPERATIONAL FIELD
CATERING SYSTEM (OFCS)
3.6 M X 3.6 M (12 FT X 12 FT) MK4
NSN 8340-99-147-7464**

ILLUSTRATED PARTS CATALOGUE (IPC)

THIS DOCUMENT IS THE PROPERTY OF HER BRITANNIC MAJESTY'S GOVERNMENT, and is issued for the information of such persons only as need to know its contents in the course of their official duties. Any person finding this document should hand it to a British forces unit or to a police station for its safe return to the MINISTRY OF DEFENCE DBR DefSy, MAIN BUILDING, WHITEHALL, LONDON SW1A 2HB with particulars of how it was found. THE UNAUTHORIZED RETENTION OR DESTRUCTION OF THIS DOCUMENT MAY BE AN OFFENCE UNDER THE OFFICIAL SECRETS ACTS OF 1911-1989. (When released to persons outside Government service, this document is issued on a personal basis. The recipient to whom it may be entrusted in confidence, within the provision of the Official Secrets Acts 1911-1989, is personally responsible for its safe custody and for seeing that its contents are disclosed only to authorized persons).

**Sponsored for use in the
UNITED KINGDOM MINISTRY OF DEFENCE
AND ARMED FORCES**

By



CONDITIONS OF RELEASE

~~This information is released by the UK Government for Defence purposes only.~~

~~This information must be afforded the same degree of protection as that afforded to information of an equivalent classification originated by the recipient Government or as required by the recipient Government's National Security regulations.~~

~~This information may be disclosed only within the Defence Department of the recipient Government, except as otherwise authorized by the Ministry of Defence (Army).~~

This information may be subject to privately owned rights.

© CROWN COPYRIGHT RESERVED

AMENDMENT RECORD

Amdt No	Incorporated By (Signature)	Date
1		
2		
3		
4		
5		
6		
7		
8		
9		
10		
11		
12		
13		
14		
15		
16		
17		
18		
19		
20		
21		
22		
23		
24		
25		
26		
27		
28		
29		
30		
31		

Amdt No	Incorporated By (Signature)	Date
32		
33		
34		
35		
36		
37		
38		
39		
40		
41		
42		
43		
44		
45		
46		
47		
48		
49		
50		
51		
52		
53		
54		
55		
56		
57		
58		
59		
60		
61		
62		

THIS PAGE INTENTIONALLY BLANK

CONTENTS

PRELIMINARY MATERIAL	Page
Front Cover (Title Page).....	i
Conditions of Release	ii
AMENDMENT RECORD	iii
CONTENTS.....	v
PREFACE.....	vi
INTRODUCTION	vi
Instructions for use by Units	vi
Initial issues by Royal Logistic Corps	vi
In lieu items.....	viii
General Notes.....	viii
Amendment.....	viii
Indentations	viii
Description	viii
RELATED AND ASSOCIATED PUBLICATIONS	ix
Related publications.....	ix
Associated publications	x
ABBREVIATIONS.....	x
WARNINGS AND CAUTIONS	xi

ILLUSTRATED PARTS CATALOGUE (IPC)

(1)		
(2)	1	General Information
(3)	2	Main Assemblies
(4)	2-1	Parts List 8340-99-147-7464
(5)	2.2	Parts List Flooring
(6)	2-3	Repair Kit
(7)	3	Indexes
(8)	3-1	Index of NSN to Chapter and Page
(9)	3-1	Index of Manufacturers Part Number/Drawing Numbers

PREFACE

Sponsor:	DE&S OI
Project Number:	-
File Ref:	-
Publication Agency:	OI

INTRODUCTION

1. Any comments by service users on this publication should be forwarded through the channels prescribed in JSP (D) 543. The AESP Form 10 is now in an electronic format and must be used for forwarding comments on this AESP.
2. AESPs are issued under UK MOD authority and where AESPs specify action is to be taken, the AESP will of itself be sufficient authority for such action and also for the demanding of the necessary stores, subject to the provisions of Para 3 below.
3. The subject matter of this publication may be affected by Defence Instructions and Notices (DIN), Standard Operating Procedures (SOP) or by local regulations. When any such instruction, order or regulation contradicts any portion of this publication it is to be taken as the overriding authority.
4. The subject matter of this publication details information specific to Shelter, Operational Field Catering System (OFCS) 3.6 M X 3.6 M (12 FT X 12 FT) MK4.
5. This Illustrated Parts Catalogue (IPC) is designed as an aid to the identification of component parts or assemblies of parts of the equipment, and to provide information necessary for demanding spares.
6. This IPC may list some or all of the parts comprising the equipment concerned, but only those parts assigned a NATO Stock Number, Service Catalogue or Reference Number will normally be available as spares. Should there be a requirement for an item not assigned a number, demands may be submitted quoting the AESP, Item Number, Figure Reference and Item Name. Where a manufacturers reference is known, this should also be quoted.
7. This Complete Equipment Schedule (CES) is designed as an aid to the identification of components, parts or assemblies of parts of the equipment and to provide information necessary for demanding spares.
8. This CES may list some or all of the parts comprising the equipment concerned, but only those parts assigned a NATO Stock Number, Service Catalogue or Reference Number will normally be available as spares. Should there be a requirement for an item not assigned a number, demands may be submitted quoting the AESP, Item Number, Figure Reference and Item Name. Where a manufacturers reference is known, this should also be quoted.

Instructions for use by Units

9. Detailed instructions for use by Units are given in JSP866 Volume 4, Part 200, Supply of Material.

Initial issues by Royal Logistic Corps

10. Initial issues as detailed below:
 - 10.1. One copy of the CES will be attached to the Unit's copy of the issue voucher and one further copy to accompany every equipment.
 - 10.2. Deficiencies (if any) will be annotated on the covering issue voucher by reference to the serial number of the items list in the simple CES.
 - 10.3. 'To follow' vouchers will not be created.

10.4. All items listed in the CES can be issued separately. If any listed herein becomes unserviceable it should be extracted and exchanged and the equipment retained pending receipt. Transfers between equipment holders should normally be complete to CES.

In lieu items

11. Authorised 'in lieu' items held against this CES will not be replaced, until they are no longer serviceable. When replacement becomes necessary the correct item, as listed in the CES, will be demanded.

General Notes

12. Certain items may be annotated as follows:

12.1. (E) - Expendable stores, consumable stores and material, 'NON LEDGER' spare parts of minor value.

12.2. (X) - ESSENTIAL ITEMS without which the RLC will not issue the equipment.

12.3. (*) - Indicates the accountability classification of the item.

12.4. (NI) - (Not illustrated) when appearing with a number in the 'Fig Item' column indicates that the item is not illustrated.

12.5. (NIV) - (Not in Vocabulary) indicates that the item is not available within the Stores System.

Amendment

13. Amendments to the catalogue will be published when necessary. These will be numbered consecutively, and the amendment record sheet completed for each amendment list embodied. New or amended material will be highlighted by side lining to show the extent of the amendment.

Indentations

14. Items are listed in a logical assembly/disassembly order and are indented by the 'Dot System' in which each 'dot' depicts the relationship of the item to the main assembly.

MAIN ASSEMBLY

Attaching parts for main assembly.

. FIRST LEVEL OF BREAKDOWN (Sub-assembly or part of main assembly)

. Attaching parts for first level.

. . SECOND LEVEL OF BREAKDOWN (Sub-sub-assembly or detail part of Sub-assembly)

. . Attaching parts for second level.

Description

The item Description and Annotation Block is also to convey additional information to the CES user, which will appear in brackets i.e. related location detail, e.g. another AESP or Chapter/Item within this AESP.

RELATED AND ASSOCIATED PUBLICATIONS

Related publications

15. The Octad for the subject equipment consists of the publications shown below. All references are prefixed with the first eight digits of this publication. The availability of the publications can be checked by reference to the relevant Group Index (see AESP 0100-A-001-013).

Category/Sub-Category		Information Level				
		1 User/Operator	2 Unit Maintenance	3 Field Maintenance	4 Base Maintenance	
1	0	Purpose and Planning Information	101	101	101	101
	1	Equipment Support Policy Directives	*	*	*	*
2	0	Operating Information	*	*	*	*
	1	Aide Memoire	201	*	*	*
	2	Training Aids	*	*	*	*
3		Technical Description	*	*	*	*
4	1	Installation Instructions	*	*	*	*
	2	Preparation for Special Environments	*	*	*	*
5	1	Failure Diagnosis	*	*	*	*
	2	Repair Instructions	201	*	201	*
	3	Inspection Standards	201	*	*	*
	4	Calibration Procedures	*	*	*	*
6		Maintenance Schedules	201	201	201	*
7	1	Illustrated Parts Catalogues	711	711	711	711
	2	Commercial Parts Lists	*	*	*	*
	3	Complete Equipment Schedule, Production	*	*	*	*
	4	Complete Equipment Schedule, Service Edition (Simple Equipment)	741	741	741	741
	5	Complete Equipment Schedule, Service Edition (Complex Equipment)	*	*	*	*
8	1	Modification Instructions	*	*	*	*
	2	General Instructions, Special Technical Instructions and Servicing Instructions	*	*	*	*
	3	Service Engineered Modification Instructions (RAF only)	*	*	*	*

* Category/Sub-category not published.

Table 1: Related Publications

Associated publications

16. The following publication should be referred to when installing and cooperating the Operational Field Catering System:

AESP: AESP 7310-B-105

ABBREVIATIONS

17. The following abbreviations are used in this AESP.

<u>Abbreviation</u>	<u>Nomenclature</u>
AESP	Army Equipment Support Publication
AFG	Army Form General
CES	Complete Equipment Schedule
DIN	Defence Instruction Notices
Fig	Figure
ft	feet (foot)
ft ³	feet cubed
in.	inch
IPC	Illustrated Parts Catalogue
kg	kilogram
lb	pound
LPC	Illustrated Parts Catalogue
m	metre
m ²	metres squared
m ³	metres cubed
mm	millimetres
NATO	North Atlantic Treaty Organisation
NI	Not Illustrated
NIV	Not in Vocabulary
NSCM	NATO Supply Code for Manufacturers
NSN	NATO Stock Number
Para	Paragraph
PPE	Personal Protective Equipment
RLC	Royal Logistics Corp
SOP	Standard Operating Procedures
TSP	Training Support Plan

WARNINGS AND CAUTIONS

HAZARDOUS SUBSTANCES

18. Before using any hazardous substances or material, the user must be conversant with the safety precautions and first aid instructions:
- 18.1. On the label of the container it was supplied in.
 - 18.2. On the material Safety Data Sheet.
 - 18.3. In local Safety Orders and Regulations.

WARNINGS

- (1) **PERSONNEL INJURY/EQUIPMENT DAMAGE. SUFFICIENT PERSONNEL ARE REQUIRED WHEN LIFTING THE ASSEMBLED ROOF, THE MINIMUM IS ONE PERSON PER LEG.**
- (2) **PERSONNEL INJURY/CRUSH HAZARD. EXERCISE CAUTION WHEN ASSEMBLING POLES AND BRACKETS DUE TO THE RISK OF CRUSH INJURY TO FINGERS.**
- (3) **PERSONNEL INJURY. WHEN POLES ARE CURVED UNDER TENSION THERE IS A HIGH RISK THAT THEY MAY SLIP AND SPRING BACK TO THEIR STRAIGHT RELAXED POSITION. PERSONNEL SHOULD NOT POSITION THEMSELVES DIRECTLY IN FRONT OF THE POLES.**
- (4) **PERSONNEL INJURY/HEAVY WEIGHT. MINIMUM PERSONNEL NUMBERS REQUIRED TO LIFT OR MOVE THE SHELTER SHOULD BE OBSERVED.**
- (5) **PERSONNEL INJURY/BURN HAZARD. WHEN BURNING WEBBING TO PREVENT FRAYING, THE WEBBING WILL BECOME EXTREMELY HOT AND MELT.**
- (6) **PERSONNEL INJURY, WHEN FITTING OR RELEASING THE INSULATION TENSIONERS THERE IS A HIGH RISK THAT UNDER TENSION THEY MAY SLIP AND SPRING BACK AT PERSONNEL.**
- (7) **IT IS ESSENTIAL THAT THE BASE RESTRAINT STRAPS AND THE FRAME RESTRAINT STRAPS ARE FITTED TO THE FRAME BEFORE INSTALLING THE PVC COVERS. THIS ENSURES THAT THE FRAME IS RIDGID AND ENHANCES THE WIND RESISTANCE OF THE SHELTER AS WELL AS MAKING IT EASIER TO FIT THE COVERS.**
- (8) **WHEN REPAIRING PVC COVERS, THE TEXTILE NEEDS TO BE ABRAIDED. PVC DUST IS TOXIC AND SHOULD NOT BE INHALED. WEAR THE APPROPRIATE PPE.**
- (9) **WHEN REPAIRING PVC COVERS, A CONTACT ADHESIVE IS UTILISED. FOLLOW SAFETY DATA SHEET SUPPLIED WITH THE CONTACT ADHESIVE.**
- (10) **EXTREME CARE IS TO BE TAKEN WHEN INSTALLING THE OFCS EQUIPMENT TO ENSURE THAT THE EXHAUST FLUES ARE CORRECTLY CONNECTED TO THE CANVAS FIRE PROOF FLUE PORTS.**

CAUTIONS

- (1) **EQUIPMENT DAMAGE.** The shelter is to be pitched on firm level ground and it is essential that adequate anchorage or ballast be placed on the coated fabric sod cloths at the bottom of the wall and ends of the shelter. The listed tent pins or spoil from drainage trenches is suitable for this purpose and may be used in sandbags or other flexible containers, if available. Guy lines are also provided to give additional stability under high wind conditions.
- (2) **EQUIPMENT DAMAGE.** Wet textile should never be folded or packed unless circumstances render this unavoidable. Shelters should therefore be left to dry thoroughly before they are struck. If the shelter is not completely dry the officer in charge of the campsite or receiving unit is to be informed.
- (3) **EQUIPMENT DAMAGE.** All insulation panels can be added after the shelter has been erected EXCEPT the roof panel that must be attached to the frame prior to the covers.
- (4) **EQUIPMENT DAMAGE.** When lifting the roof, the supervisor must ensure that the lift is even along the length of the frame, thus avoiding distortion of the brackets and poles.
- (5) **EQUIPMENT DAMAGE.** The sunshade when fitted is to be erected prior to the shelter if possible or alternatively moved into position over the tent after assembly with the base restraint straps being added after it is in its final position. The ratchet straps should not be over tightened and never used if damaged.
- (6) **EQUIPMENT DAMAGE.** The shelter is to be erected on firm level ground, which has been cleared of any large stones or rubble.
- (7) **EQUIPMENT DAMAGE.** A power washer may be used at low pressure with warm water. Use judgement and caution regarding water pressure and temperature.
- (8) **EQUIPMENT DAMAGE.** Do not use solvents or detergents to clean the shelter as they will dissolve the protective coating on the fabric.
- (9) **EQUIPMENT DAMAGE.** Rips and tears must be repaired immediately to maintain the insulation integrity.
- (10) **EQUIPMENT DAMAGE.** The PVC covers are different from the cotton canvas covers in that they do not stretch. Fitting the end gables requires the frame to be in the correct position to fit the PVC cover spigots over the frame extensions using the appropriate straps. Do not under any circumstances force the canvas into position or use frame parts to lever the canvas into position.

CHAPTER 1
GENERAL INFORMATION

CONTENTS

CHAPTER 1 1
GENERAL INFORMATION 1
CONTENTS 1
MAIN CES LIST 8340-99-984-7785 3
 MAIN CES NSN 8340-99-958-8986 4

Fig **Page**
Figure 1: Shelter, Operational Field Catering System (OFCS) 3.6 m x 3.6 m (12 ft x 12 ft) Mk 4 1
Figure 2: NSN 8340-99-147-7464 Family Tree 2

Table **Page**
Table 2: Main CES NSN 8340-99-147-7464 3
Table 3: Hard Floor NSN 8340-99-958-8986 4



Figure 1: Shelter, Operational Field Catering System (OFCS) 3.6 m x 3.6 m (12 ft x 12 ft) Mk 4

1. The equipment is designated:

SHELTER, OPERATIONAL FIELD CATERING SYSTEM (OFCS) 3.6 m X 3.6 m (12 FT X 12 FT)
MK 4
NATO Stock no 8340-99-147-7464

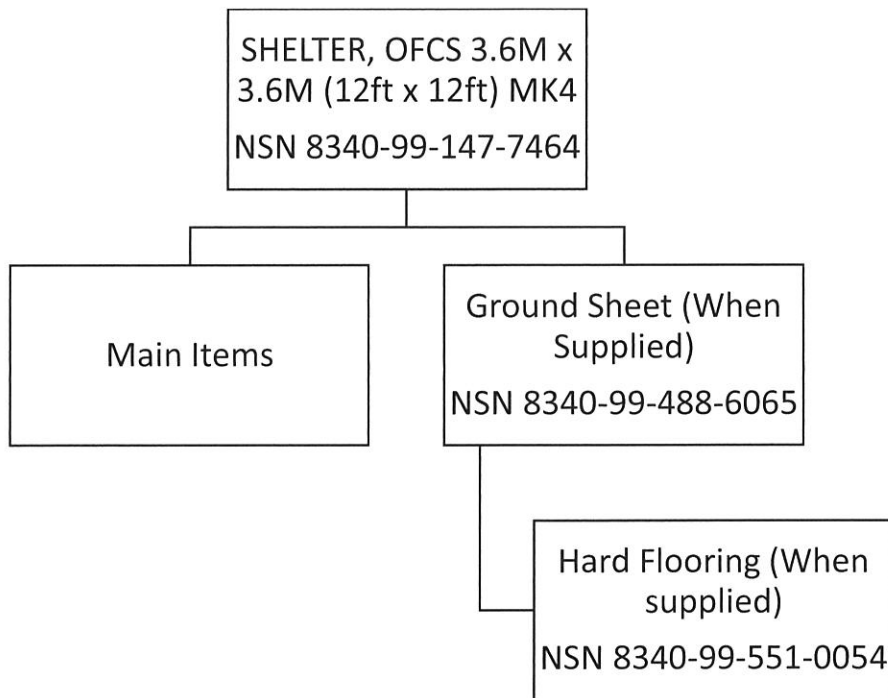


Figure 2: NSN 8340-99-147-7464 Family Tree

MAIN CES LIST 8340-99-984-7785

Fig. No Item No	Army		Item Description and Annotations	No Off D of Q	Annotation (NSCM)
	DMC NSCM	NSN Part Number			
0	J11	8340-99-147-7464	TENT, SHELTER, OPERATIONAL FIELD CATERING SYSTEM (OFCS) 3.6 m X 3.6 m (12 FT X 12 FT) Mk 4	1	
1	J11	8340-99-147-7464	MAIN ITEMS	N/A	CHAP 2-1, FIG 4 & 5

Table 2: Main CES NSN 8340-99-147-7464

MAIN CES NSN 8340-99-958-8986

Fig. No Item No	Army		Item Description and Annotations	No Off D of Q	Annotation (NSCM)
	DMC NSCM	NSN Part Number			
(9) 1	J11	8340-99-958-8986	HARD FLOORING (m ²)	17 m ²	CHAP 2-3, FIG 9

Table 3: Hard Floor NSN 8340-99-958-8986

CHAPTER 2
COMPLETE EQUIPMENT SCHEDULE

CONTENTS

Chapter

- 2-1 Main Items 8340-99-147-7464
- 2.2 Flooring
- 2-3 Repair Kit

THIS PAGE INTENTIONALLY BLANK

CHAPTER 2-1

COMPLETE EQUIPMENT SCHEDULE

MAIN ITEMS FOR NSN 8340-99-147-7464

CONTENTS

CHAPTER 2-1 1
COMPLETE EQUIPMENT SCHEDULE..... 1
MAIN ITEMS FOR NSN 8340-99-147-7464..... 1
CONTENTS..... 1
 SHELTER MAIN ITEMS FOR NSN 8340-99-147-7464 3

Fig	Page
Figure 3: Tent, Shelter, OFCS 3.6 m x 3.6 m (12 ft x 12 ft) Mk4.....	2
Figure 4: Tent, Shelter, OFCS 3.6 m x 3.6 m (12 ft x 12 ft) Mk4 continued	4
Figure 3: Tent, Shelter, OFCS 3.6 m x 3.6 m (12 ft x 12 ft) Mk4.....	2
Figure 4: Tent, Shelter, OFCS 3.6 m x 3.6 m (12 ft x 12 ft) Mk4 continued	4

Table	Page
Table 4: Shelter Main Items	3
Table 5: Shelter Main Items continued	5

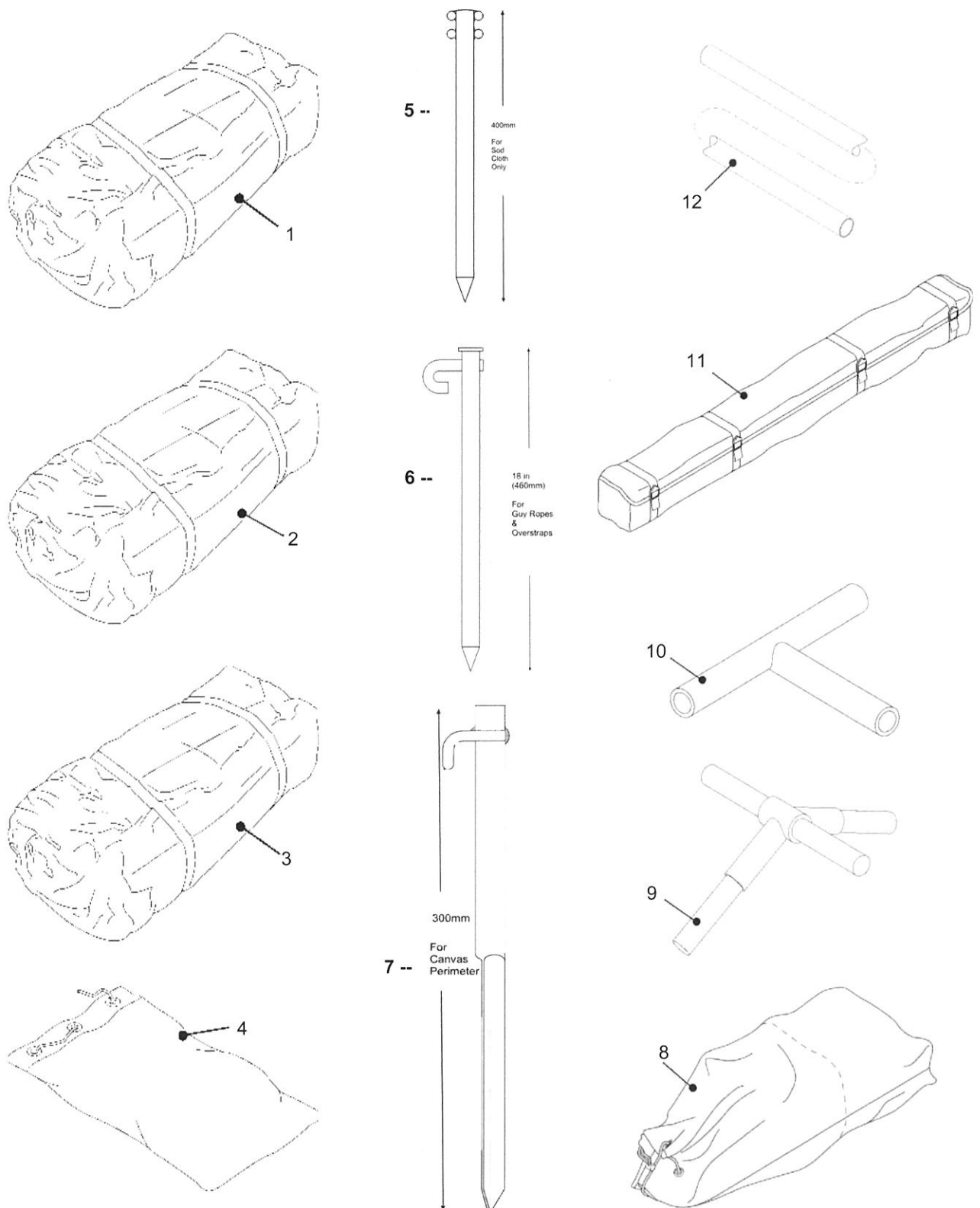


Figure 3: Tent, Shelter, OFCS 3.6 m x 3.6 m (12 ft x 12 ft) Mk4

SHELTER MAIN ITEMS FOR NSN 8340-99-147-7464

Fig. No Item No	Army		Item Description and Annotations	No Off D of Q	Quantity on Issue
	DMC NSCM	NSN Part Number			
(3) 1	J11	8340-99-321-2752 (8340-99-212-1648)	VALISE, SHELTER	1 EA	
(3) 2A	J11	8340-99-282-9697 (8340-99-147-7465)	END SECTION MK 4	2 EA	
(3) 2B	J11	8340 99 844 1160 (8340-99-369-1162)	END SECTION MK 4, PASSAGE END (Alternative to 8340-99-282-9697 for porch or passageway)	2 EA	
(3) 3	J11	8340 99 155 6622 (8340-99-147-7466)	DESIG PVC;12FT X 12FT OFCS ROOF AND WALL SECTION	1 EA	
(3) 4	J11	8340-99-120-7745	CONTAINER, TENT PIN	2 EA	
(3) 5	J11	8340-99-137-3895	PIN, TENT 400 MM STEEL	24 EA	
(3) 6	J11	8340-99-943-9052	PIN, TENT 18 in STEEL	6 EA	
(3) 7	J11	8340-99-132-0028	PIN, TENT 300 MM STEEL	24 EA	
(3) 8	J11	8340-99-499-9176	BAG, TENT FRAME BRACKETS	1 EA	
(3) 9	J11	8340-99-120-6726	RIDGE AND EAVES, BRACKET	9 EA	
(3) 10	J11	8340-99-120-6727	BASE, BRACKET	6 EA	
(3) 11	J11	8340-99-488-6307	BAG, TENT FRAME POLES	1 EA	
(3) 12	J11	8340-99-120-6725	UNIVERSAL MEMBER	22 EA	

Table 4: Shelter Main Items

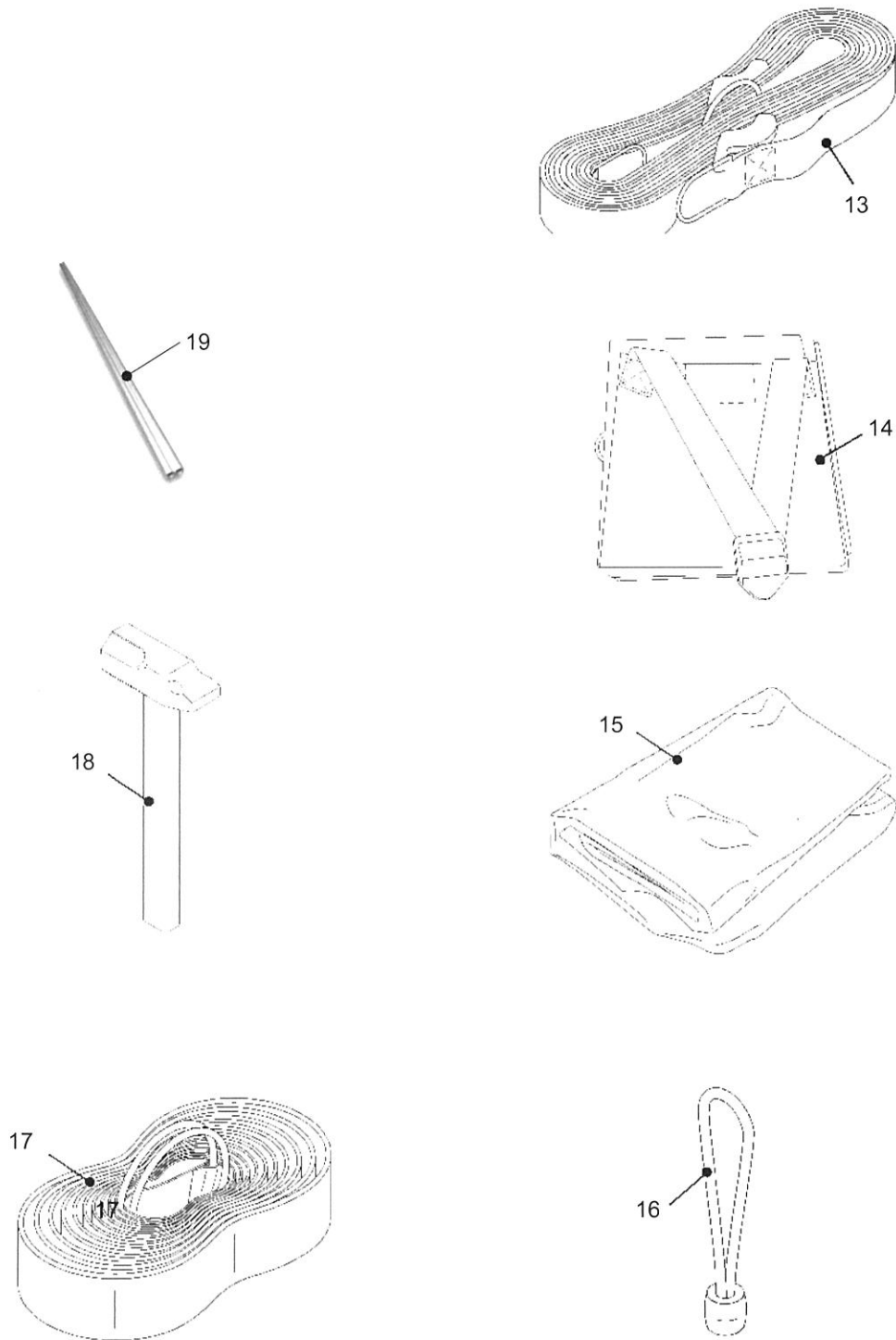


Figure 4: Tent, Shelter, OFCS 3.6 m x 3.6 m (12 ft x 12 ft) Mk4 continued

Fig. No Item No	Army		Item Description and Annotations	No Off D of Q	Quantity on Issue
	DMC NSCM	NSN Part Number			
(4) 13	J11	8340-99-270-7535	END GUY, QUICK RELEASE	2 EA	
(4) 14	J11	8340-99-477-1544	OVERSTRAP	1 EA	
(4) 15	J11	8340-99-488-6065	OUNDSHEET 24 FT X 18 FT	1 EA	
(4) 16	J11	8340-99-865-3035	TENSIONER, LINER AND OUNDSHEET	20 EA	
(4) 17	F1	8340-99-326-5994	STRAP, BASE RESTRAINT	3 EA	
(4) 18	J11	5120-99-910-4703	HAMMER, HAND	1 EA	
(4) 19	J11	9390-99-477-5695	KEDER RAIL	16 EA	

Table 5: Shelter Main Items continued

NOTE

Item 19 of Table 6 is only required when utilising the keder system to connect the tent, this is not required if utilising dutch lacing.

THIS PAGE INTENTIONALLY BLANK

CHAPTER 2-2
COMPLETE EQUIPMENT SCHEDULE
HARD FLOORING FOR NSN 8430-99-958-8986

CONTENTS

CHAPTER 2-2	1
COMPLETE EQUIPMENT SCHEDULE	1
HARD FLOORING FOR NSN 8430-99-958-8986	1
CONTENTS	1
HARD FLOORING LIST NSN 8340-99-958-8986	3

Fig	Page
Figure 5: Hard Flooring.....	2
Table	Page
Table 6: Hard Floor NSN 8340-99-958-8986	3

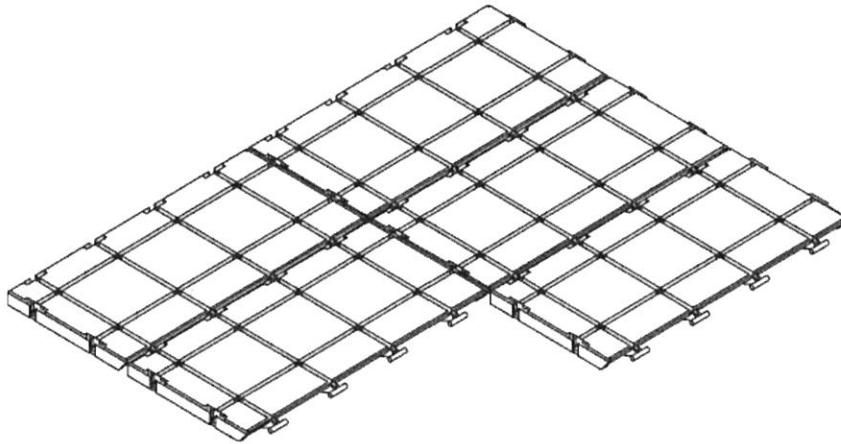


Figure 5: Hard Flooring

HARD FLOORING LIST NSN 8340-99-958-8986

Fig. No Item No	Army		Item Description and Annotations	No Off D of Q	Quantity on Issue
	DMC NSCM	NSN Part Number			
(5) 1	J11	8340-99-958-8986	HARD FLOORING (m ²)	17 m ²	

Table 6: Hard Floor NSN 8340-99-958-8986

THIS PAGE INTENTIONALLY BLANK

CHAPTER 2-3
COMPLETE EQUIPMENT SCHEDULE

REPAIR KIT

CONTENTS

CHAPTER 2-3	1
COMPLETE EQUIPMENT SCHEDULE.....	1
REPAIR KIT.....	1
CONTENTS.....	1

Fig	Page
Figure 6: Repair Kit.....	2

Table	Page
Table 7: Repair Kit NSN 8340-99-362-8303	3

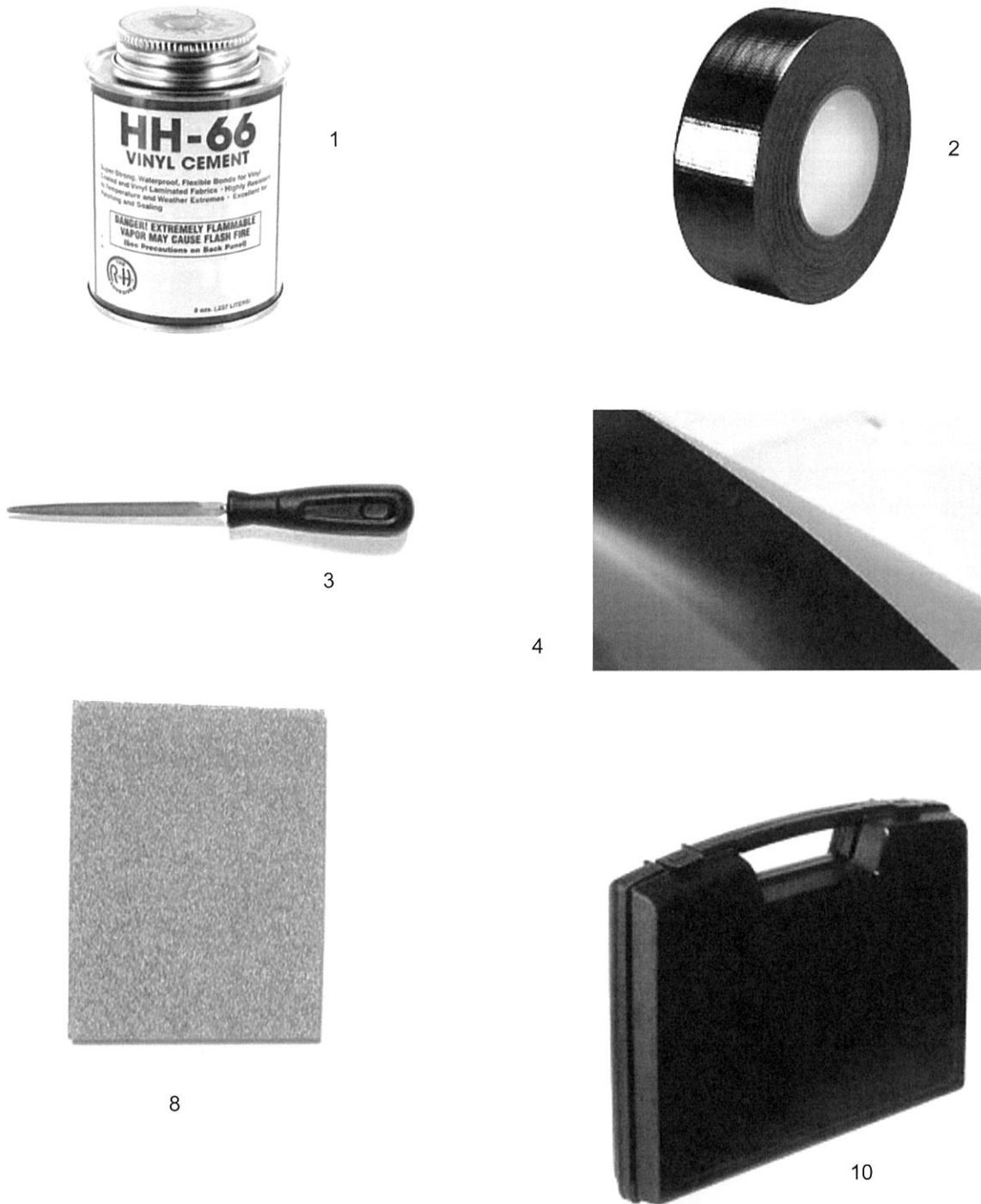


Figure 6: Repair Kit

Fig. No Item No	Army		Item Description and Annotations	No Off D of Q	Quantity on Issue
	DMC NSCM	NSN Part Number			
0	J11	8340-99-362-8303	REPAIR KIT, TENTAGE	1	
(6) NI	1	HH-66-236ml	HH-66 VINYL CEMENT – TIN 236ml	1 EA	
(6)	2	002041	BLACK ADHESIVE TAPE	1 EA	
(6)	3	002044	TRIANGULAR FILE	1 EA	
(6)	4	003/P5001	STANDARD FABRIC - GREEN GREY	1 m2	
(6) NI	5	004/P5001	OFCS FABRIC - GREEN GREEN	1 m2	
(6) NI	6	005/P5001	FLOOR FABRIC - GREEN	1 m2	
(6) NI	7	006/P5001	FLY SCREEN MATERIAL	1 m2	
(6)	8	002045	SANDING PAPER	1 EA	
(6)	9	002042	CUTTER 18mm	1 EA	
(6)	10	004402	PLASTIC BOX	1 EA	
(6) NI	11	007/P5001	REPAIR INSTRUCTION SHEET	1 EA	
(6) NI	12	HH-66 & PVC Canvas	SAFETY DATA SHEET	1 EA	

Table 7: Repair Kit NSN 8340-99-362-8303

THIS PAGE INTENTIONALLY BLANK

CHAPTER 3

INDEXES

CONTENTS

CHAPTER 3 1
INTRODUCTION 1

INTRODUCTION

2. This Chapter identifies the indexes provided in support to the main parts list.

THIS PAGE INTENTIONALLY BLANK

CHAPTER 3-1

INDEX OF NATO STOCK NUMBERS

CONTENTS

CHAPTER 3-1	1
INDEX OF NATO STOCK NUMBERS	1
INDEX OF NATO STOCK NUMBERS	2
Table	Page
Table 8: Index of NATO Stock Number.....	2

CHAPTER 3-2

INDEX OF MANUFACTURERS' PART/DRAWING NUMBERS

TO

CHAPTER, FIGURE AND ITEM NUMBERS

CONTENTS

CHAPTER 3-2	1
INDEX OF MANUFACTURERS' PART/DRAWING NUMBERS	1
INDEX OF MANUFACTURERS' PART/DRAWING NUMBERS	2
Table	Page
Table 9: Index of Manufacturers' Part Numbers	2

ARMY EQUIPMENT AND SUPPORT PUBLICATION (AESP) AND ELECTRICAL AND
MECHANICAL ENGINEERING REGULATIONS (EMER) - FORM 10

*AESP/EMER NUMBER:		*IS THIS SAFETY RELATED? Yes <input type="checkbox"/> No <input type="checkbox"/>					
Send Form 10 via the Email or Post address. However email is <u>preferred</u> .		Tel	██████████ or ██████████				
Email: ██████████		Post to	██████████ ██████████ ██████████				
(To email this form send as a copy to the email address above)							
ORIGINATORS DETAILS							
*Address	*Name						
	Rank / Grade						
	*Phone						
	*Senders Reference						
	*Date Raised						
*E-Mail	Eqpt Asset Code (if applicable)						
AESP/EMER DETAILS							
*Full Title of AESP/EMER (Not the AESP/EMER Number)							
*Edition	*Amendment	*Chapter	*Page	*Paragraph	Figure	Instruction	Other
*Comments: If additional information is to be supplied, please e-mail with the Form 10 as separate attachments.							
FORM 10 CELL USE							
*Date Received				*Form 10 Reference			
*Date Sent to PT / SME				Problem Report			
PROJECT TEAM / SME RESPONSE TO COMMENTS:							
Project Team (PT) / SME				*Sponsors Name			
*Phone				Rank / Grade			
*Email				*Date Received			
*The following action is to be carried out:				Mark:		Mark:	
Issue a revised/amended AESP/EMER:				Under investigation:			
Incorporate comment(s) in future amendments:				No action required:			
Remarks:							
SPONSOR/PT FINAL CLOSURE STEPS				Mark:		Date:	
Form 10 Originator notified of the action taken:							

AESP Form 10 (Issue 6.2 dated July 13)

- * Mandatory Fields for Originator
- * Mandatory Fields for Sponsor.

**ARMY EQUIPMENT AND SUPPORT PUBLICATION (AESP) AND ELECTRICAL AND
MECHANICAL ENGINEERING REGULATIONS (EMER) - FORM 10**

Form 10 Guidance

Form 10 can be found within the AESP or, as a template, from the JAMES Portal (Hot Topic – Forms) & TDOL (FORM10).

Originator responsibility is to enter the following details marked *:

- In the **AESP/EMER Number**; cell enter the full document number e.g. AESP 1256-I-400-711.
- Is this **Safety Related?** – select Yes or No as appropriate.
- Originator Details:
 - Full address Inc Post Code or BFPO NO.
 - Originator email address
 - Senders Reference – that must be unique.
- AESP Details shall enter the following details:
 - The Full Title of AESP/EMER should not include the AESP/EMER Number
 - Enter details in all other mandatory fields marked *
 - Additional information relating to the Comments (AESP copies, additional text details or photographs) should be attached to the Email at the same time.
- Originator makes up the Form 10 & Sends to Form 10 cell via
 - Post to [REDACTED] address.
 - Email to [REDACTED]
 - **Any AESP that holds a Security marking higher than 'Restricted' should be securely circulated.**

FORM 10 CELL responsibilities:

The Form 10 Cell enters:

- Date Received
- Form 10 Reference
- Date sent to Sponsor
- Register all Form 10 details in the MOSS Form 10 Tracker.

Sponsor Responsibility

The Sponsor will:

- Enter their name, email address & phone contact details.
- Enter Date Received
- Enter Details in the non-mandatory field as & when required.
- Acknowledge receipt of Form 10, within 5 working days, by email to Form 10 Cell.
- Assess the contents of comments and details received
- Mark the relevant Action box and fill out the Remarks field.
- Enter date when the Form 10 is returned to Form 10 Cell.
- Email copy of completed Form 10, within 6 weeks, to the Form 10 Cell and Originator.

Form 10 Cell on receipt will:

- Record final stage of the Form 10 into the MOSS Form 10 Tracker.
- Close off the Form 10 and archive.

AESP Form 10 (Issue 6.2 dated July 13)

* Mandatory Fields for Originator

* Mandatory Fields for Sponsor.