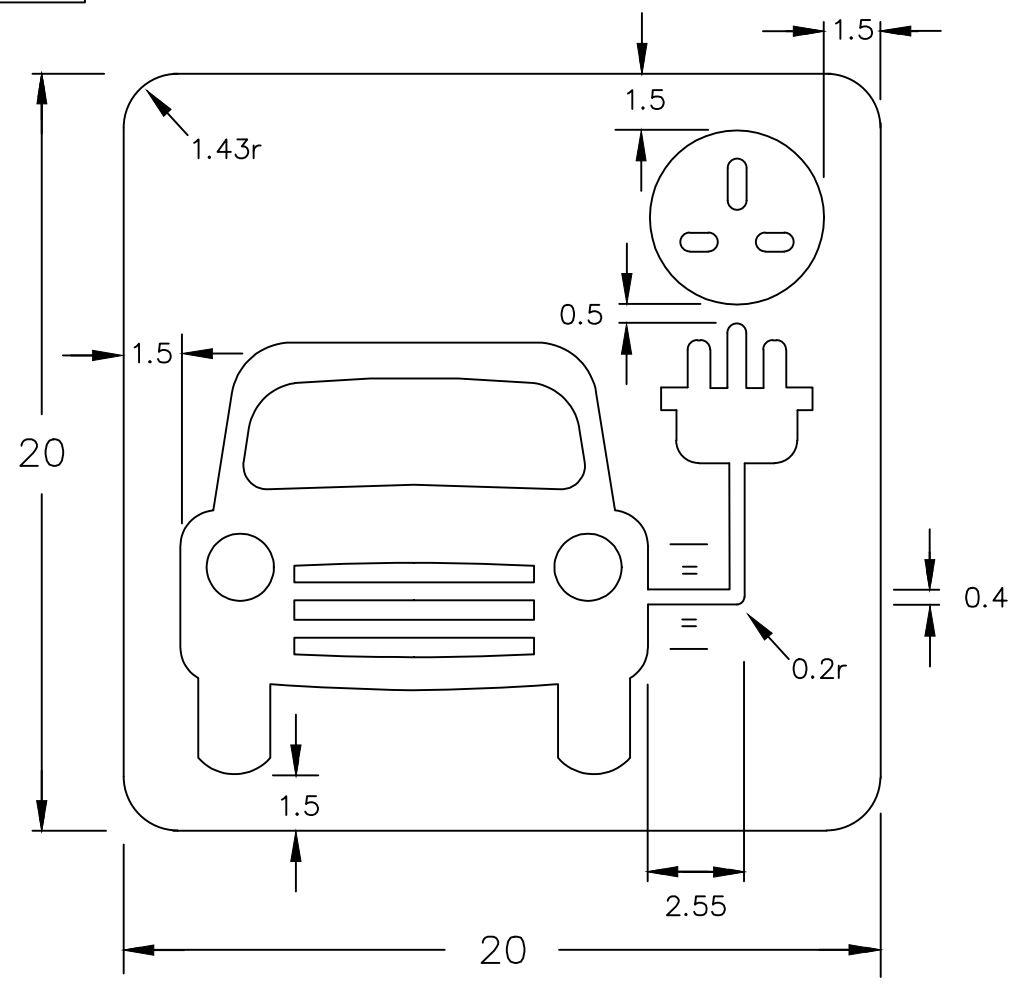


Drawing No.  
S 65  
Sheet 1 of 2

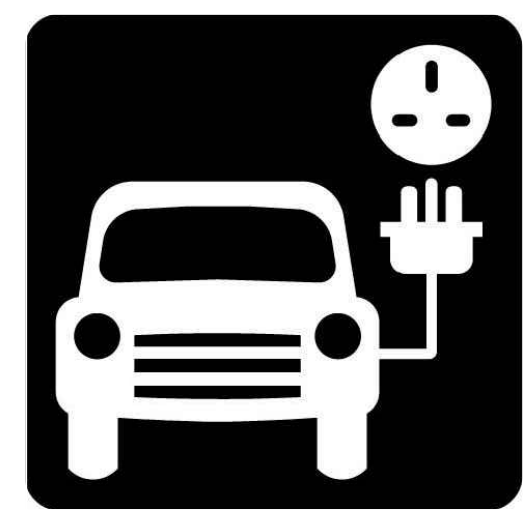
Related drawing  
S 19

Before using this drawing, confirm that it has not been superseded.

© CROWN COPYRIGHT



- NOTES:
- See sheet 2 for details of the plug and socket.
  - DIMENSIONS : x-heights are in millimetres, other dimensions are in stroke widths. (4sw = x-height)
  - COLOURS :-  
Background ----- BLACK  
Car, socket and plug ----- WHITE
  - Car symbol details are given in drawing S19. The car symbol when used in this drawing is sized at 11.4 sw by 12.35 sw.
  - When used on signing for services, the black background is omitted.



x-ht  
100 min  
200 max

S65-1

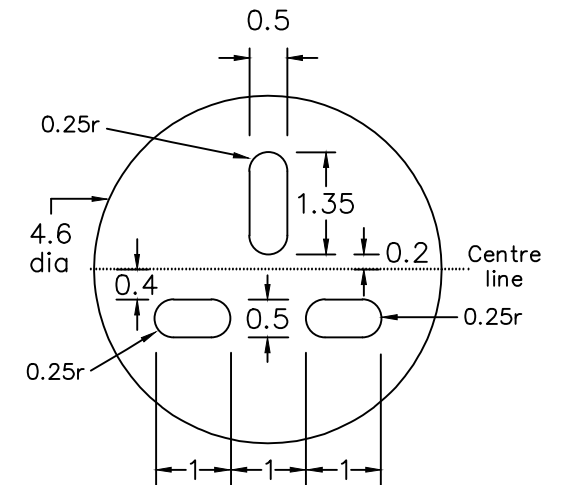
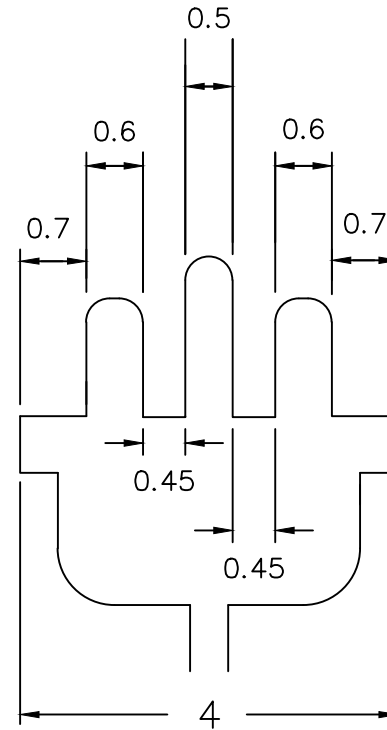
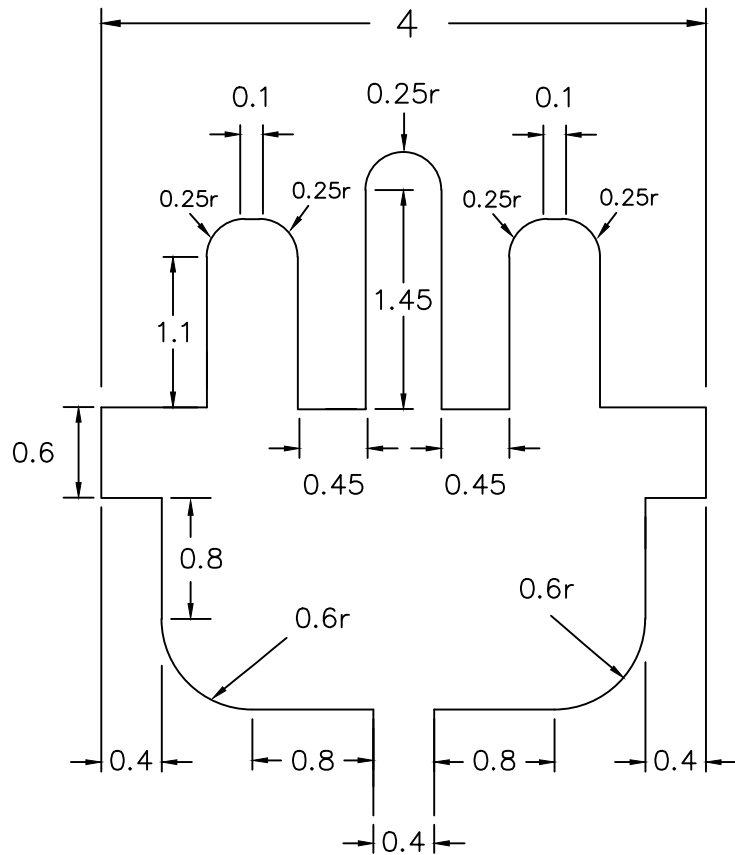
	Title:	Symbol	Issue:	Date:	Drawn by :	Dimensions :	Drawing No.
	ELECTRIC VEHICLE CHARGING POINT SYMBOL		A:	11.11.11	A.K.	SEE NOTE 2	S 65
			B:		Approved by :		Sheet 1 of 2
			C:		J.B.		

Drawing No.  
**S 65**  
 Sheet 2 of 2

© CROWN COPYRIGHT

NOTES: 1. DIMENSIONS : x-heights are in millimetres,  
 other dimensions are in stroke widths.  
 (4sw = x-height)

2. COLOURS :-  
 Socket and plug ----- WHITE



S65-2

Before using this drawing, confirm  
 that it has not been superseded.

<b>Department for          Transport</b>	Title:	Symbol	Issue:	Date:	Drawn by :	Dimensions :	Drawing No.
	ELECTRIC VEHICLE CHARGING POINT SYMBOL		A:	11.11.11	A.K.	SEE NOTE 2	<b>S 65</b>
			B:		Approved by:		Sheet 2 of 2
			C:		J.B.		