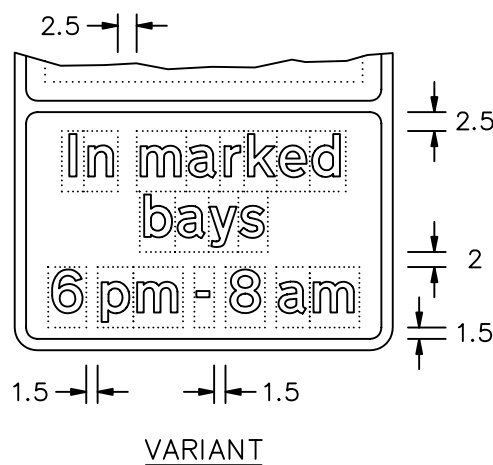
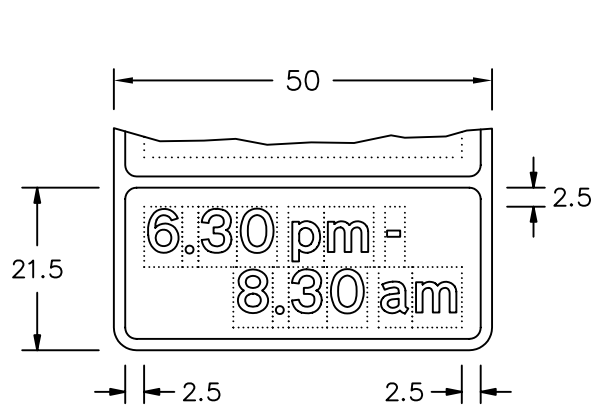
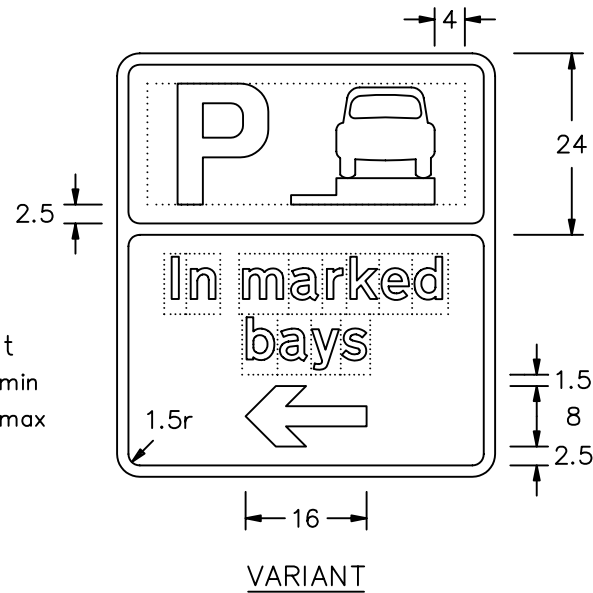
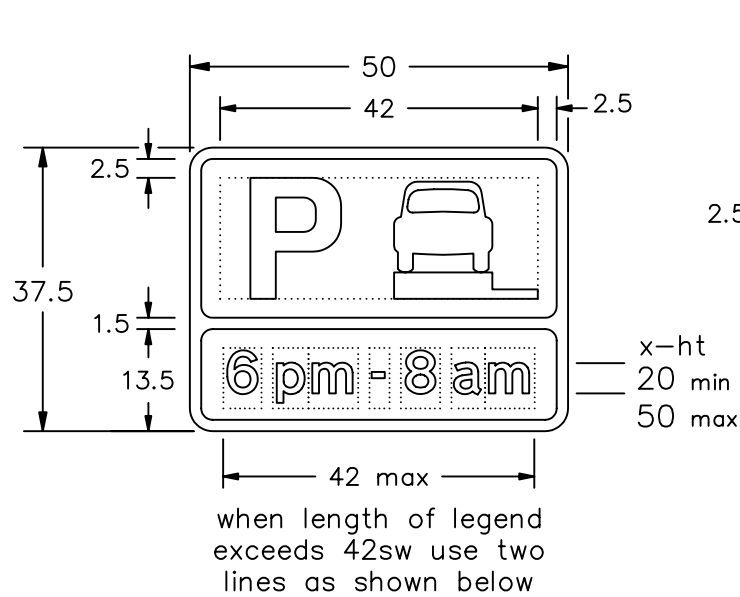


Drawing No.
P 668.1

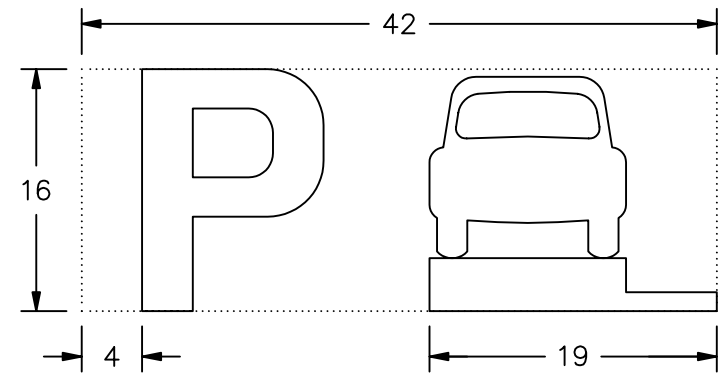
Related Drawings
S 19, S 43 & P 668

Before using this drawing, confirm that it has not been superseded.

© CROWN COPYRIGHT



- NOTES:
1. The legend is from the Transport Medium alphabet at the x-heights shown.
 2. Car symbol details are given on drawing S 19 and 'P' symbol details on drawing S 43. See drawing P 668 for 'car on footway' details.
 3. The tile outlines do not form part of the signs.
 4. COLOURS : Background ----- BLUE
Legend & Border ---- WHITE
Symbols & Arrow ---- WHITE
 5. DIMENSIONS : x-heights are in millimetres, other dimensions are in stroke widths. (4sw = x-ht)
 6. See section 12 in Chapter 7 of the Traffic Signs Manual for further details of time plate design.



P668x1

Department for
Transport

Title: Regulatory Signs
PARKING PLACE WHOLLY
ON VERGE OR FOOTWAY

Issue: Date: Drawn by: Dimensions:
A: 4.7.94 S.P.
B: 16.8.04 Approved by:
C: R.M.

SEE
NOTE 5

Drawing No.
P 668.1