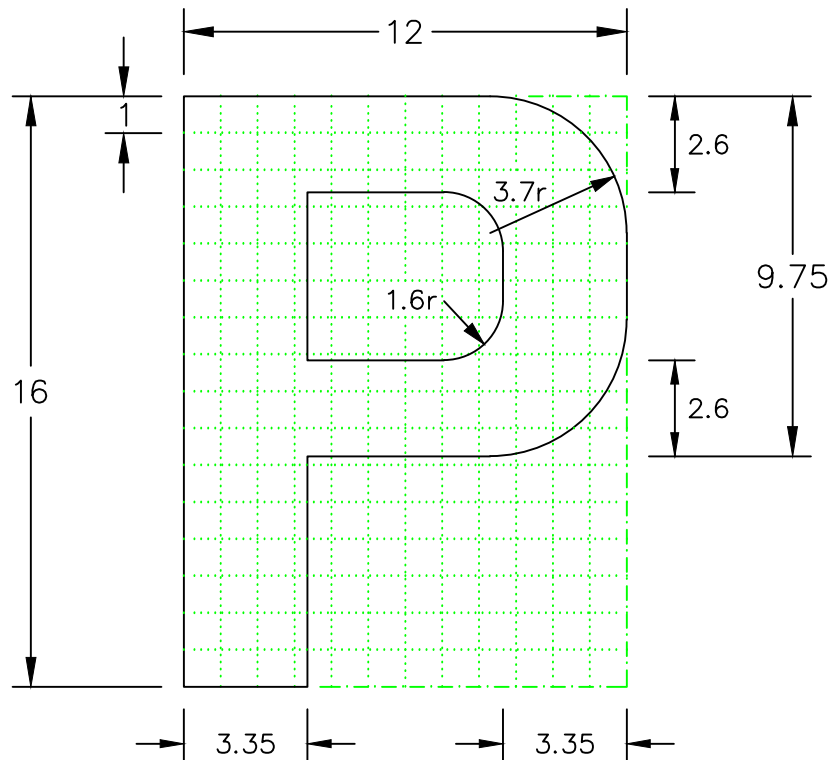
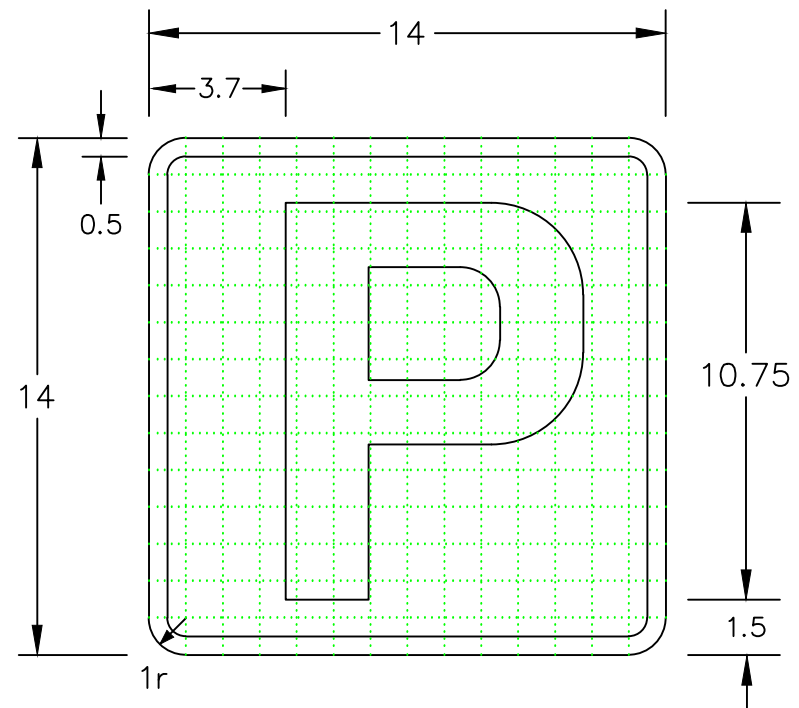


- NOTES: 1. The grids do not form part of any sign to which the symbols are applied.
2. Dimensions are given in grid divisions. The 'P' symbol on the tile has the same proportions as the symbol used on blue background signs and is reduced in size by the ratio of 10.75 to 16.
3. COLOURS : 'P' Symbol & Border --- WHITE; Tile Background --- BLUE

Symbol used on Blue background signs



Tile used on Informatory & Directional signs



When placed on a white background the border is omitted but the tile and symbol remain the same size.

S43-1

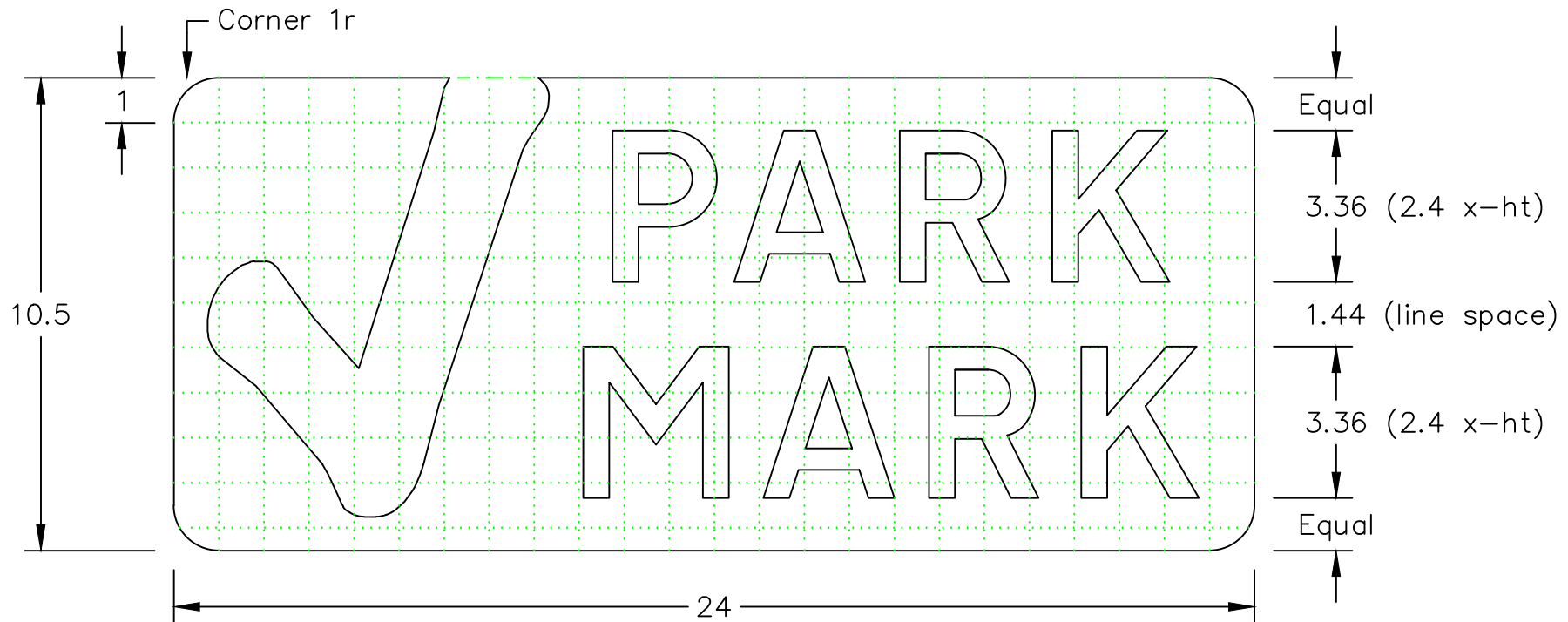
	Title:	Symbol	Issue:	Date:	Drawn by:	Dimensions:	Drawing No.
		PARKING PLACE	A:	17.2.94	S.P.	ALL IN	S 43 sheet
			B:	13.11.02	Approved by:	GRID DIVISIONS	1 of 3
			C:	11.11.11	R.M.		

Drawing No.
S 43
 Sheet 2 of 3

© CROWN COPYRIGHT

Before using this drawing, confirm that it has not been superseded.

- NOTES: 1. The legend is from the Transport Medium alphabet at 60% x-height of the sign on which the symbol is placed.
2. The grid does not form part of the sign on which the symbol is placed.
3. COLOURS : Background ----- BLUE
 Legend & 'Tick' symbol --- WHITE
4. DIMENSIONS : All dimensions are in stroke widths relating to the x-height of the sign on which the symbol is placed. (4sw = x-height)
5. This symbol is always used with the 'P' symbol (see sheet 3).



S43-2

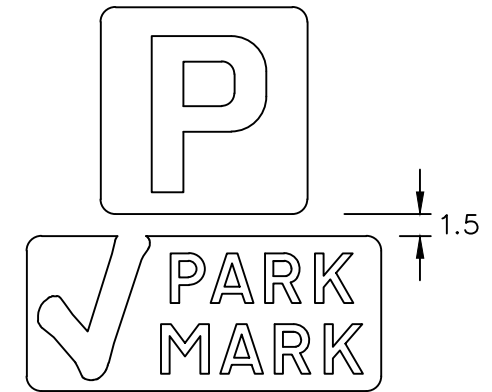
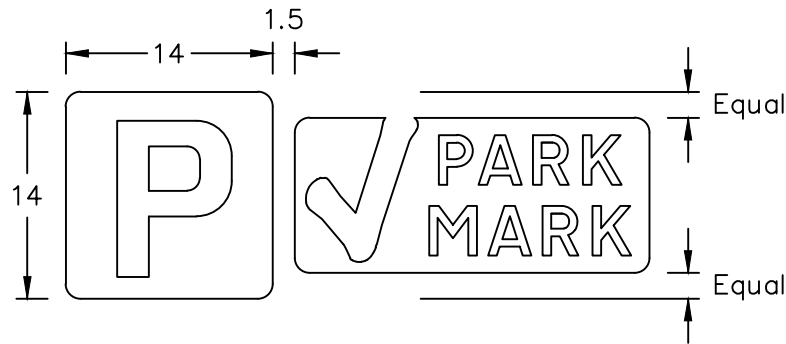
Department for Transport	Title:	Symbol	Issue:	Date:	Drawn by:	Dimensions:	Drawing No.
		PARK MARK	A:	17.2.94	R.M.	SEE NOTE 4	S 43 Sheet 2 of 3
			B:	13.11.02	Approved by:		
			C:	11.11.11	R.M.		

Drawing No.
S 43
 Sheet 3 of 3

Before using this drawing, confirm that it has not been superseded.

© CROWN COPYRIGHT

- NOTES: 1. See sheet 1 for details of the 'P' symbol and sheet 2 for the 'Park Mark' symbol.
2. DIMENSIONS : All dimensions are in stroke widths relating to the x-height of the sign on which the symbol is placed. (4sw = x-height)



ALTERNATIVE LAYOUT

S43-3

Department for Transport	Title : Symbol PARK MARK	Issue : Date : A : 17.2.94 B : 13.11.02 C : 11.11.11	Drawn by : R.M. Approved by: R.M.	Dimensions : SEE NOTE 2	Drawing No. S 43 Sheet 3 of 3