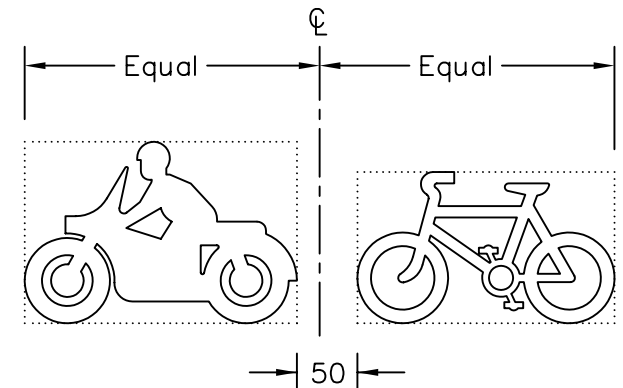
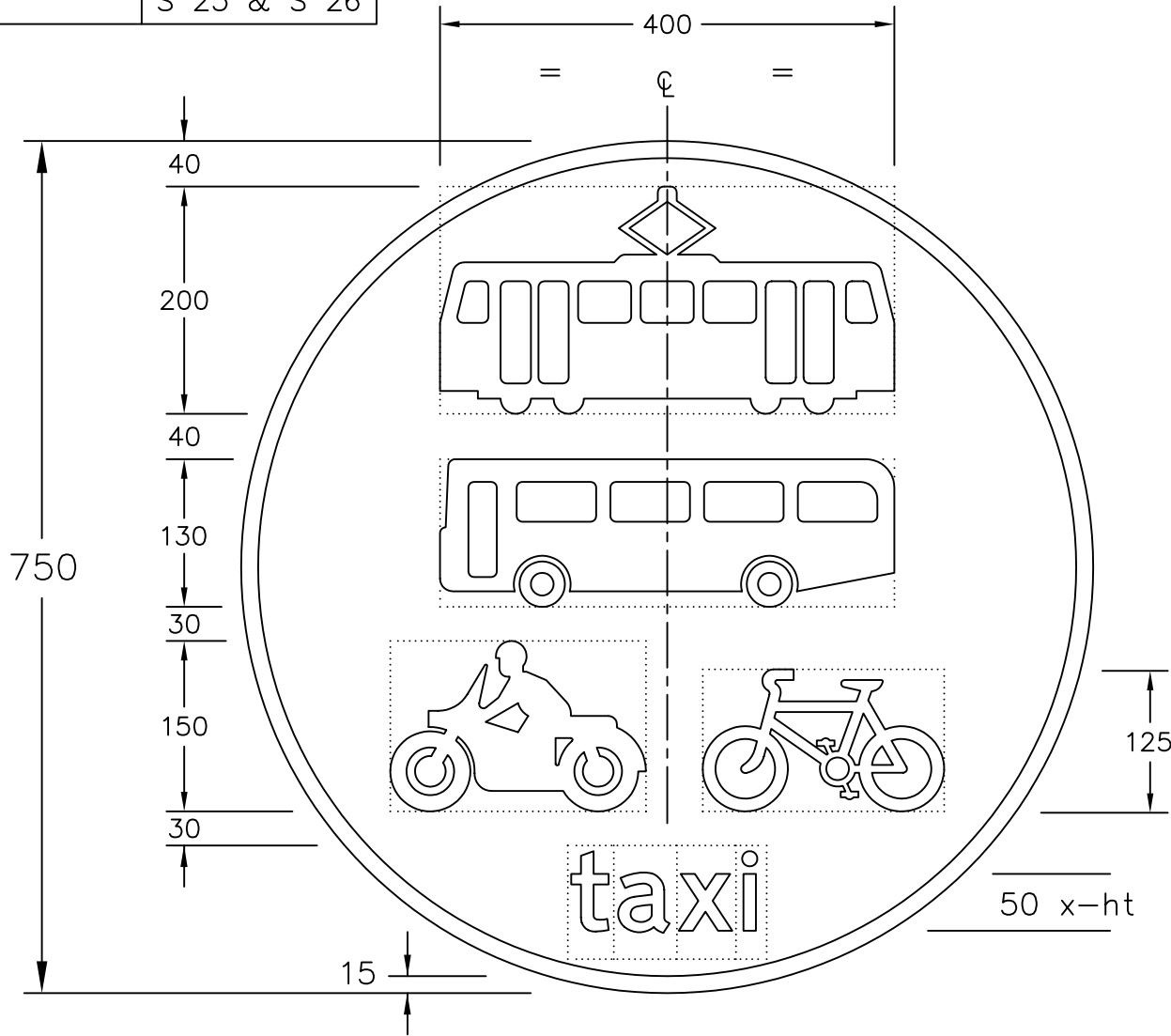


Drawing No.
NP 953.1B

Related Drawings
S 23, S 24,
S 25 & S 26

© CROWN COPYRIGHT

- NOTES: 1. The legend is from the Transport Medium alphabet at the x-height shown.
2. Details of the symbols are given on drawings S 23, S 24, S 25 sheet 1 and S 26.
3. The tile outlines do not form part of the sign.
4. COLOURS : Background ----- BLUE
Border & Symbols ---- WHITE
'taxi' ----- WHITE
5. The bus symbol may be varied to the 'local bus' symbol shown on drawing S 25 sheet 2.



NP953x1B

Before using this drawing, confirm that it has not been superseded.

**Department for
Transport**

Title: Regulatory Sign
TRAM, BUS, SOLO MOTOR CYCLE,
CYCLE and TAXI ROUTE

Issue: Date:
A: 31.5.06
B:
C:

Drawn by:
R.M.
Approved by:
R.M.

Dimensions:
MILLIMETRES

Drawing No.
NP 953.1B