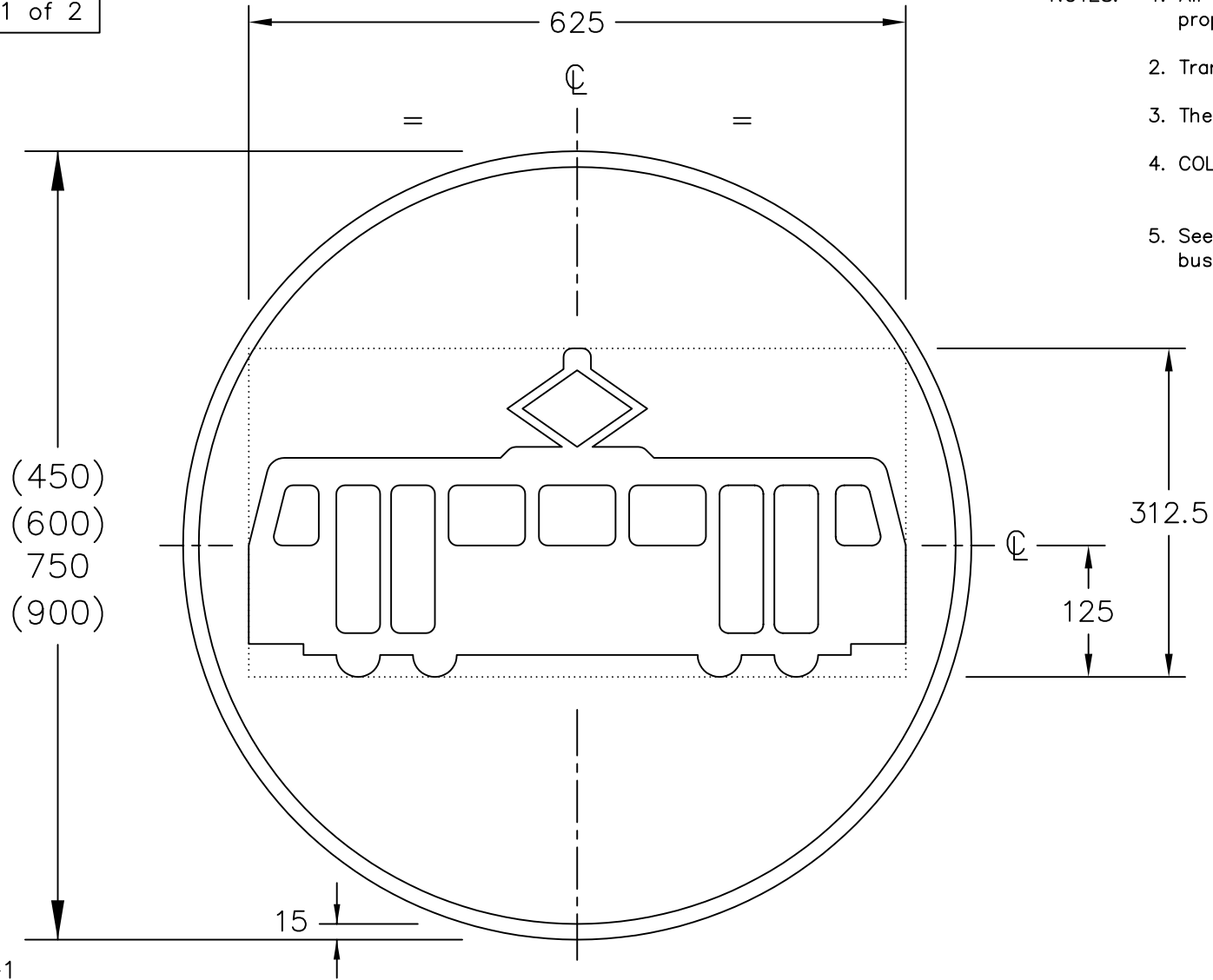


Drawing No.  
**P 953.1**  
 Sheet 1 of 2

Related Drawing  
**S 26**

© CROWN COPYRIGHT

- NOTES:—
1. All 750mm dia sign dimensions shall be varied proportionally for the other roundel sizes.
  2. Tram symbol details are given on drawing S 26.
  3. The tile outline does not form part of the sign.
  4. COLOURS : Background ----- BLUE  
 Border & Symbol ---- WHITE
  5. See sheet 2 for variant showing both tram and bus symbol.



P953x1-1

Before using this drawing, confirm that it has not been superseded.

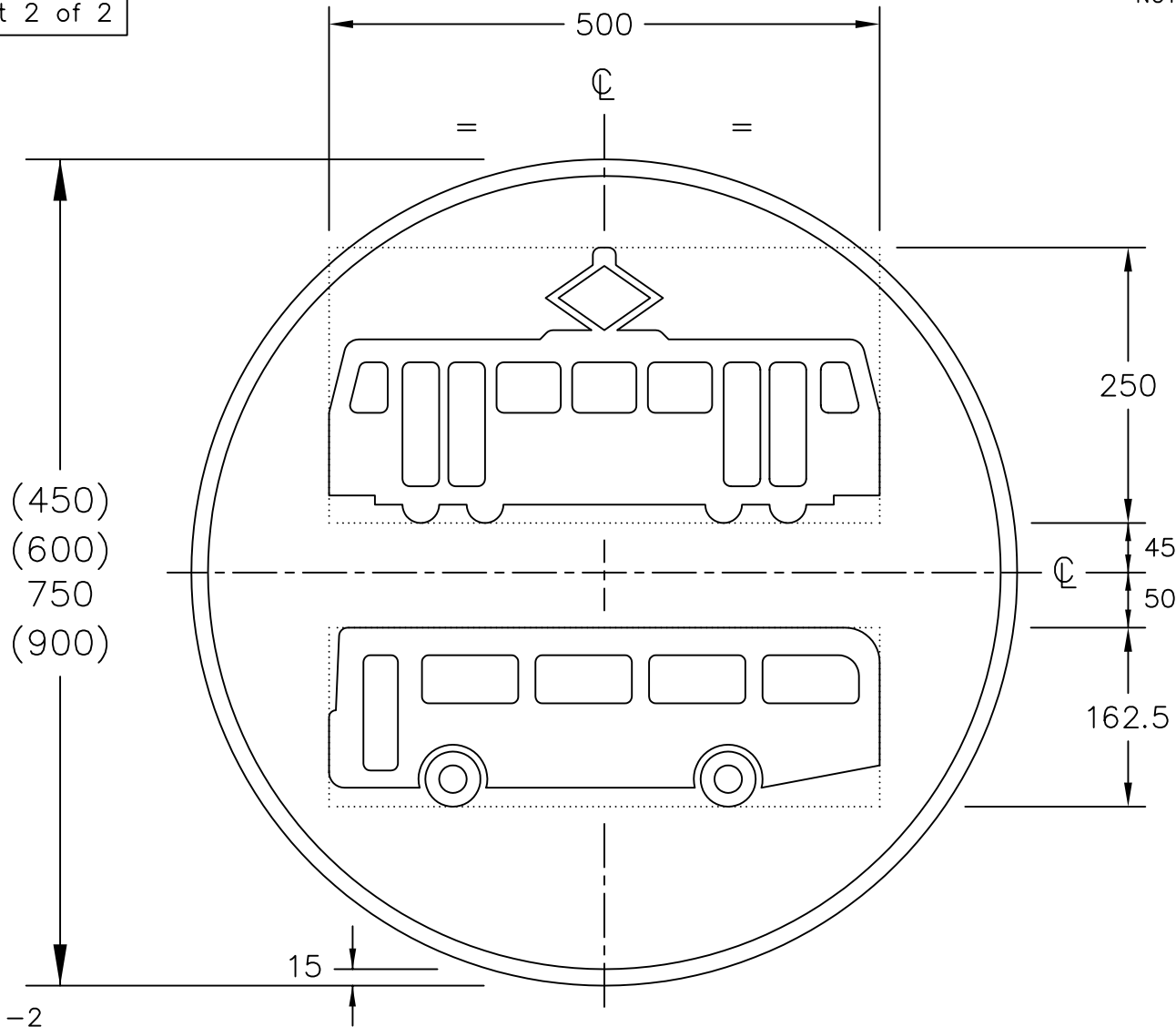
<b>Department for          Transport</b>	Title:	Regulatory Sign	Issue:	Date:	Drawn by:	Dimensions:	Drawing No.
	<b>ROUTE FOR TRAMS ONLY</b>	A:	6.7.94	S.P.	Approved by: R.M.	MILLIMETRES	P 953.1
		B:	8.7.04	R.M.			Sheet 1 of 2
		C:					

Drawing No.  
**P 953.1**  
 Sheet 2 of 2

Related Drawings  
 S 26 & S 25 Sheets 1 & 2

© CROWN COPYRIGHT

- NOTES: -
- All 750mm dia sign dimensions shall be varied proportionally for the other roundel sizes.
  - Tram and bus symbol details are given on drawings S 26 and S 25 sheet 1 respectively.
  - The tile outlines do not form part of the sign.
  - VARIANTS : The bus symbol may be varied to the 'local bus' symbol shown on drawing S 25 sheet 2.
  - COLOURS : Background ----- BLUE  
 Border & Symbols --- WHITE
  - See sheet 1 for tram only sign.



P953x1-2

Before using this drawing, confirm that it has not been superseded.

**Department for  
 Transport**

Title: Regulatory Sign  
**ROUTE FOR TRAMS  
 AND BUSES ONLY**

Issue: A: 6.7.94  
 B: 8.7.04  
 C:

Date: S.P.  
 Approved by:  
 R.M.

Dimensions:  
 MILLIMETRES

Drawing No.  
**P 953.1**  
 Sheet 2 of 2