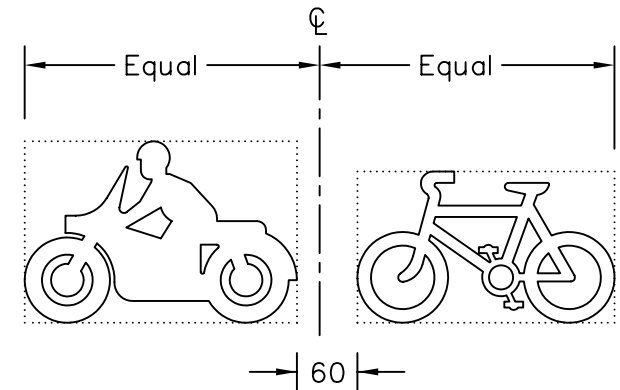
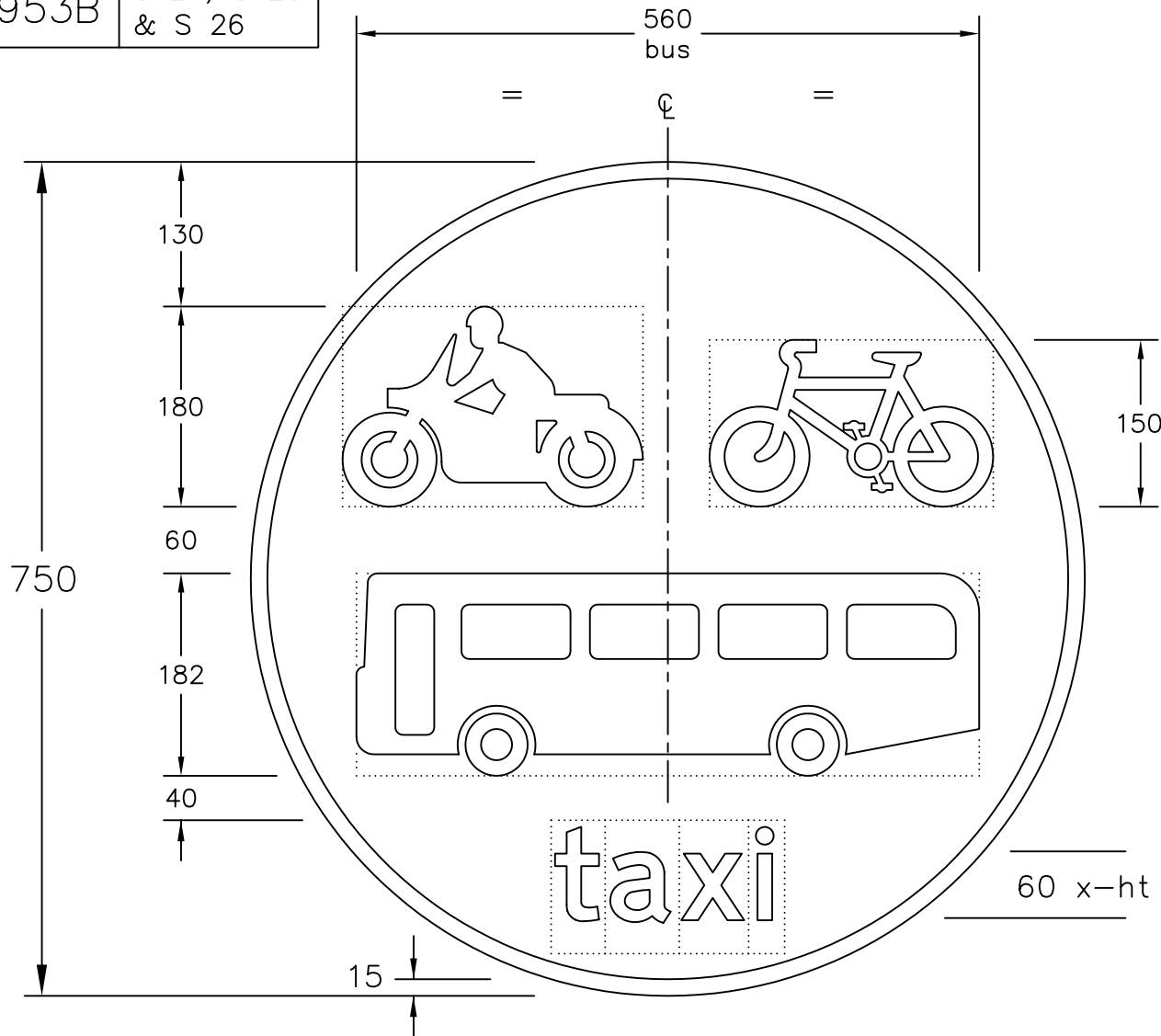


Drawing No. NP 953B	Related Drawings S 24, S 25 & S 26
------------------------	--

© CROWN COPYRIGHT

- NOTES: 1. The legend is from the Transport Medium alphabet at the x-height shown.
2. Details of the symbols are given on drawings S 24, S 25 sheet 1 and S 26.
3. The tile outlines do not form part of the sign.
4. COLOURS : Background ----- BLUE
 Border & Symbols ---- WHITE
 'taxi' ----- WHITE
5. The bus symbol may be varied to the 'local bus' symbol shown on drawing S 25 sheet 2.



NP953B

Before using this drawing, confirm that it has not been superseded.

**Department for
Transport**

Title: Regulatory Sign
 BUS, SOLO MOTOR CYCLE,
 CYCLE and TAXI ROUTE

Issue: Date: Drawn by:
 A: 31.5.06 R.M.
 B: Approved by:
 C: R.M.

Dimensions:
 MILLIMETRES

Drawing No.
 NP 953B