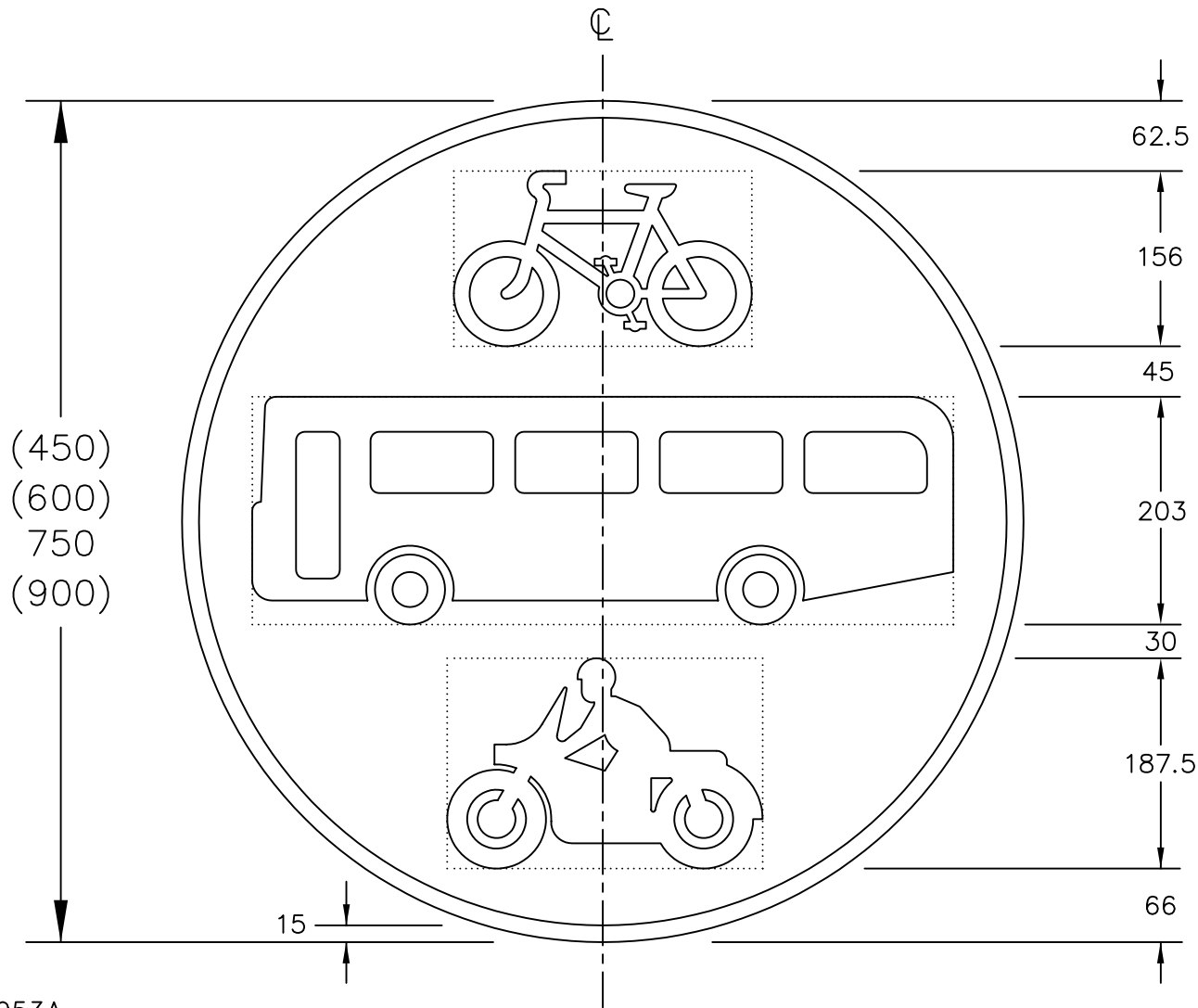


Drawing No.
NP 953A

Related Drawings
S 23, S 24 & S 25

© CROWN COPYRIGHT

- NOTES: 1. All 750mm dia sign dimensions shall be varied proportionally for the other roundel sizes.
2. Details of the symbols are given on drawings S 23, S 24 and S 25 sheet 1.
3. The tile outlines do not form part of the sign.
4. COLOURS : Background ----- BLUE
Border & Symbols --- WHITE
5. The bus symbol may be varied to the 'local bus' symbol shown on drawing S 25 sheet 2.



NP953A

Before using this drawing, confirm that it has not been superseded.

Department for
Transport

Title: Regulatory Sign
BUS, CYCLE AND
SOLO MOTOR CYCLE ROUTE

Issue: Date:
A: 15.8.05
B:
C:

Drawn by:
R.M.
Approved by:
R.M.

Dimensions:
MILLIMETRES

Drawing No.
NP 953A