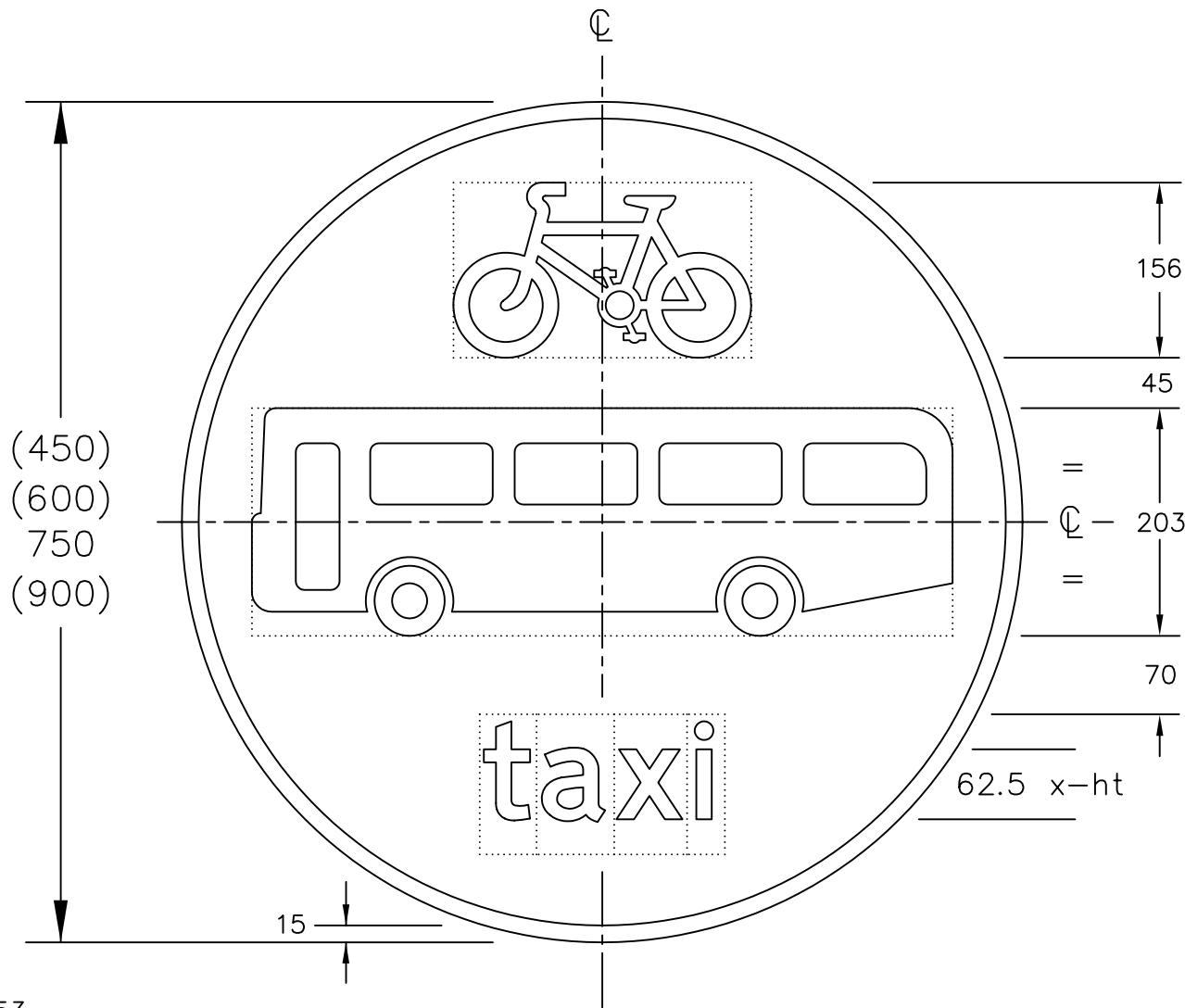


Drawing No.
P 953

Related Drawings
S 24 & S 25 Sheets 1 & 2

© CROWN COPYRIGHT

- NOTES:—
- All 750mm dia sign dimensions, including the x-height of the word 'taxi', shall be varied proportionally for the other roundel sizes.
 - The legend is from the Transport Medium alphabet.
 - Details of the symbols are given on drawings S 24 and S 25 sheet 1.
 - The tile outlines do not form part of the sign.
 - VARIANTS : The word 'taxi', the cycle symbol or both may be omitted, with no change in the position of the remaining sign elements. The bus symbol may be varied to the 'local bus' symbol shown on drawing S 25 sheet 2.
 - COLOURS : Background ----- BLUE
Border, Symbols & 'taxi' --- WHITE



P953

Before using this drawing, confirm that it has not been superseded.

Department for
Transport

Title: Regulatory Sign
BUS, CYCLE AND TAXI ROUTE ONLY

Issue: Date: Drawn by: Dimensions:
A: 6.7.94 S.P.
B: 8.7.04 Approved by: MILLIMETRES
C: R.M.

Drawing No.
P 953