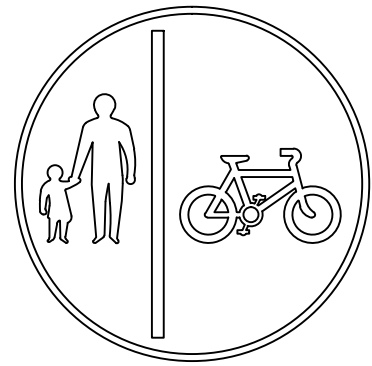
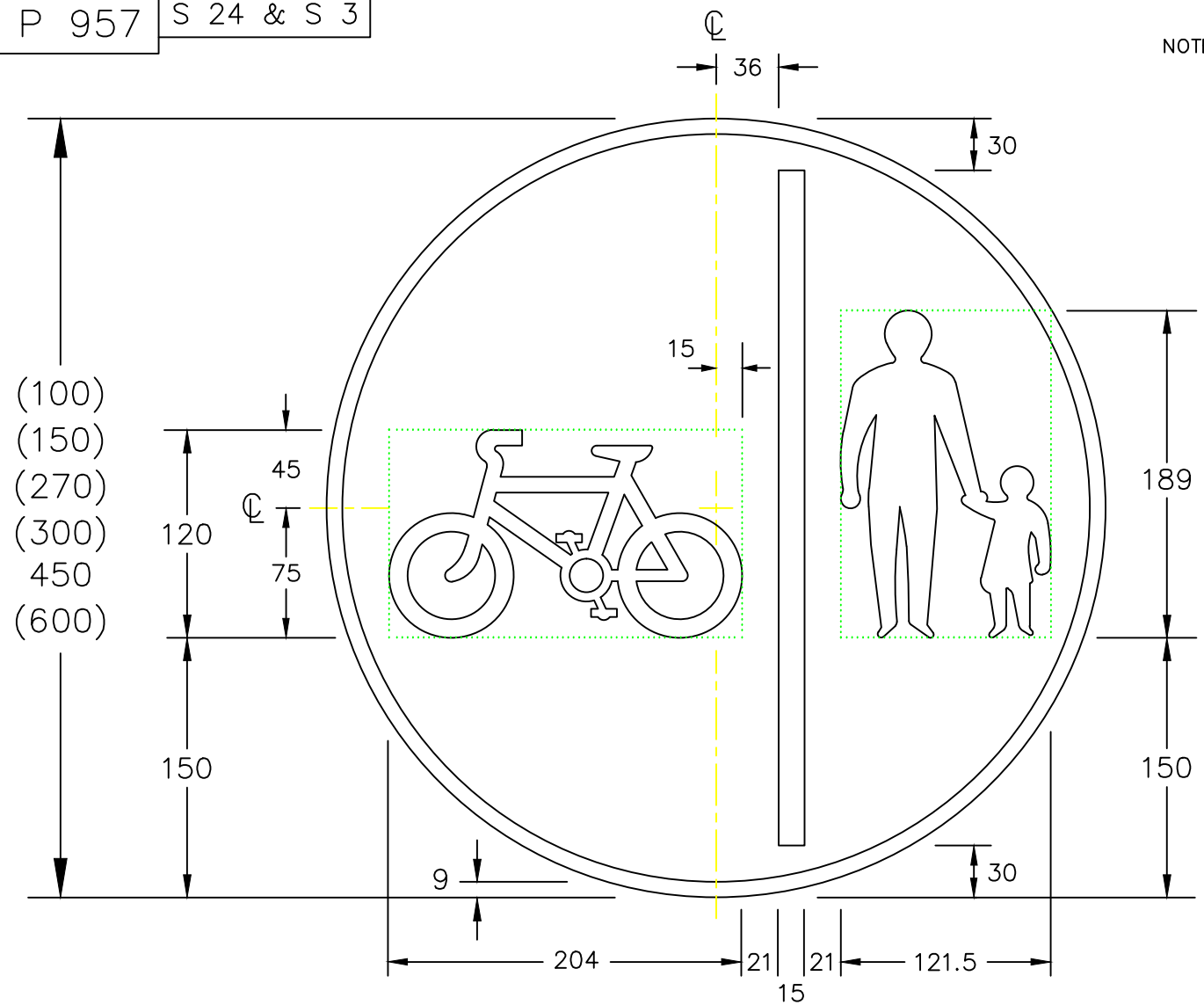


Drawing No.
P 957

Related Drawings
S 24 & S 3

© CROWN COPYRIGHT

- NOTES: 1. All 450mm dia sign dimensions shall be varied proportionally for the other roundel sizes.
 2. Cycle and pedestrian symbol details are given on drawings S 24 and S 3 respectively.
 3. The tile outlines do not form part of the sign.
 4. COLOURS : Background ----- BLUE
 Border & Symbols ---- WHITE



THE SIGN MAY BE VARIED TO A MIRROR IMAGE

P957

Before using this drawing, confirm that it has not been superseded.

Department for Transport	Title:	Regulatory Sign	Issue:	Date:	Drawn by:	Dimensions:	Drawing No.
		ROUTE FOR USE BY PEDAL CYCLES & PEDESTRIANS ONLY (segregated)	A:	6.7.94	S.P.	MILLIMETRES	P 957
			B:	12.8.04	Approved by:		
			C:	11.11.11	R.M.		