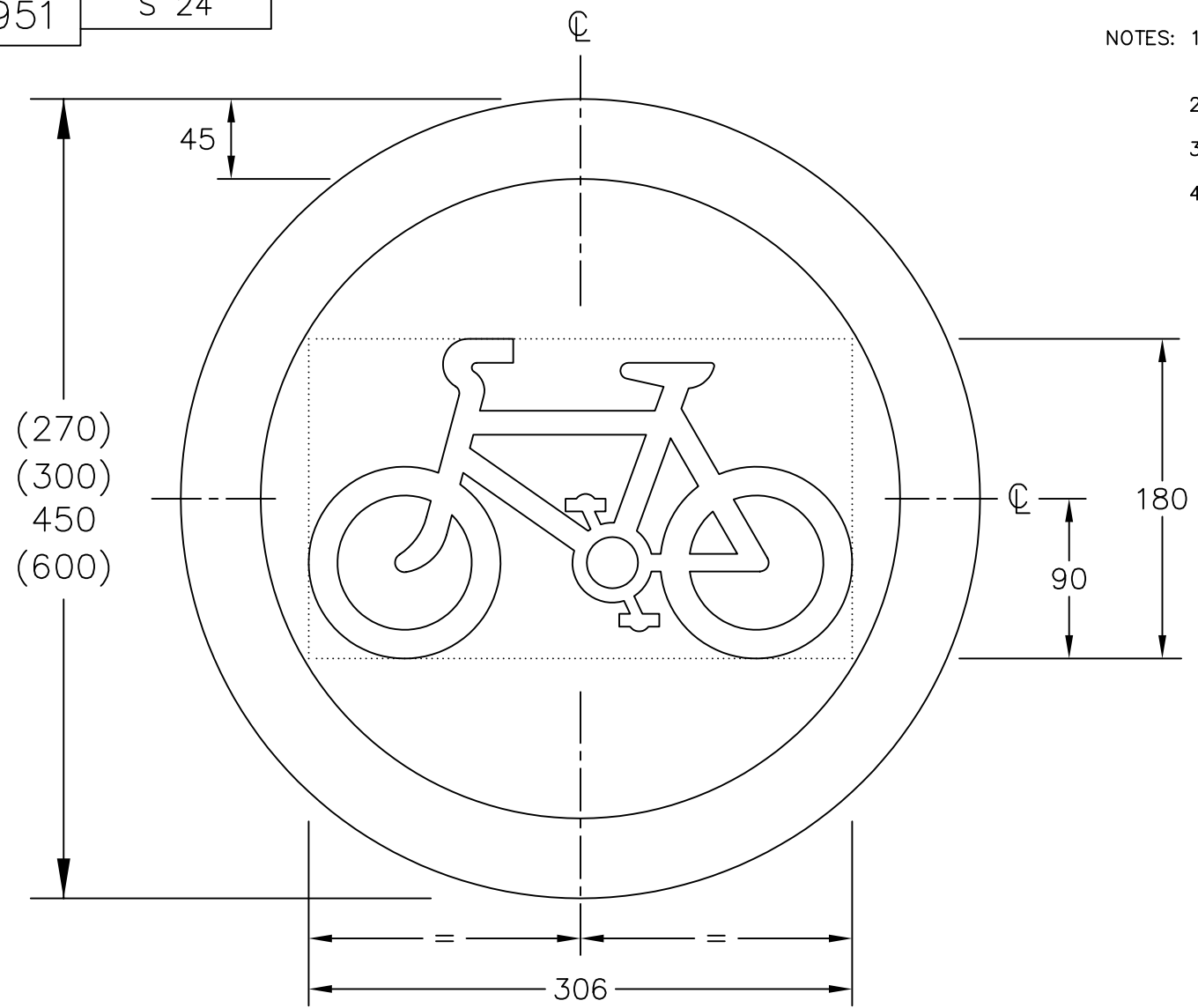


Drawing No.
P 951

Related Drawing
S 24

© CROWN COPYRIGHT

- NOTES: 1. All 450mm dia sign dimensions shall be varied proportionally for the other roundel sizes.
 2. Symbol details are given on drawing S 24.
 3. The tile outline does not form part of the sign.
 4. COLOURS : Background --- WHITE
 Border ----- RED
 Symbol ----- BLACK



P951

Before using this drawing, confirm that it has not been superseded.

Department for Transport	Title: Regulatory Sign CYCLING PROHIBITED	Issue: A: 6.7.94 B: 8.7.04 C:	Date: S.P. Approved by: R.M.	Dimensions: MILLIMETRES	Drawing No. P 951