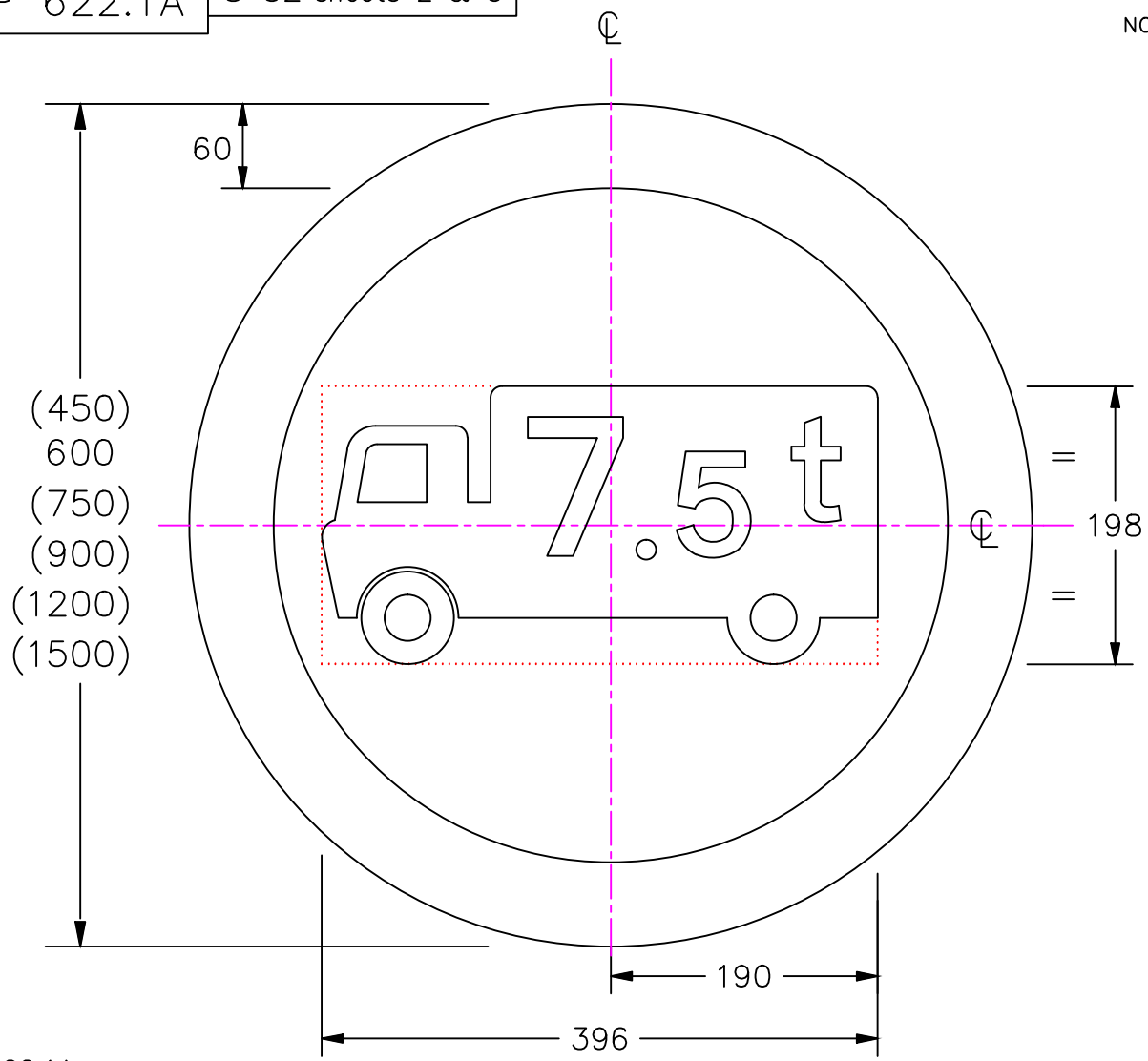


Drawing No.
P 622.1A

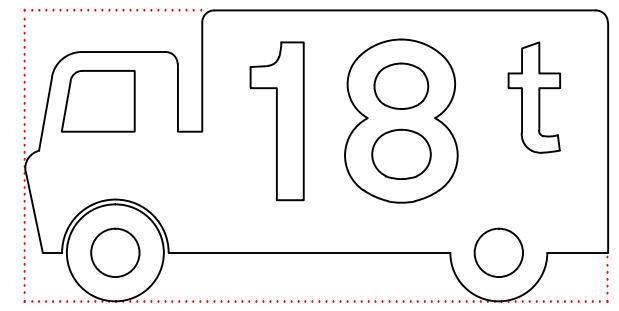
Related Drawings
S 32 sheets 2 & 3

© CROWN COPYRIGHT

- NOTES: 1. All dimensions for the 600mm dia sign shall be varied proportionally for the other roundel sizes.
 2. Symbol details are given on drawing S 32 sheets 2 & 3.
 3. The tile outline does not form part of the sign.
 4. COLOURS : Border ----- RED
 Symbol ----- BLACK
 with white legend
 Background --- WHITE
 5. When the sign is used as a symbol on a directional sign the lorry symbol may be reversed as shown on drawing S 32 sheets 2 & 3.



VARIANT



Before using this drawing, confirm that it has not been superseded.

P622.1A

Department for Transport	Title:	Regulatory Sign	Issue:	Date:	Drawn by:	Dimensions:	Drawing No.
	GOODS VEHICLES OVER 7.5 TONNES OR 18 TONNES (mgw) PROHIBITED		A:	5.7.94	S.P.	MILLIMETRES	P 622.1A
			B:	4.12.02	Approved by:		
			C:	11.11.11	R.M.		