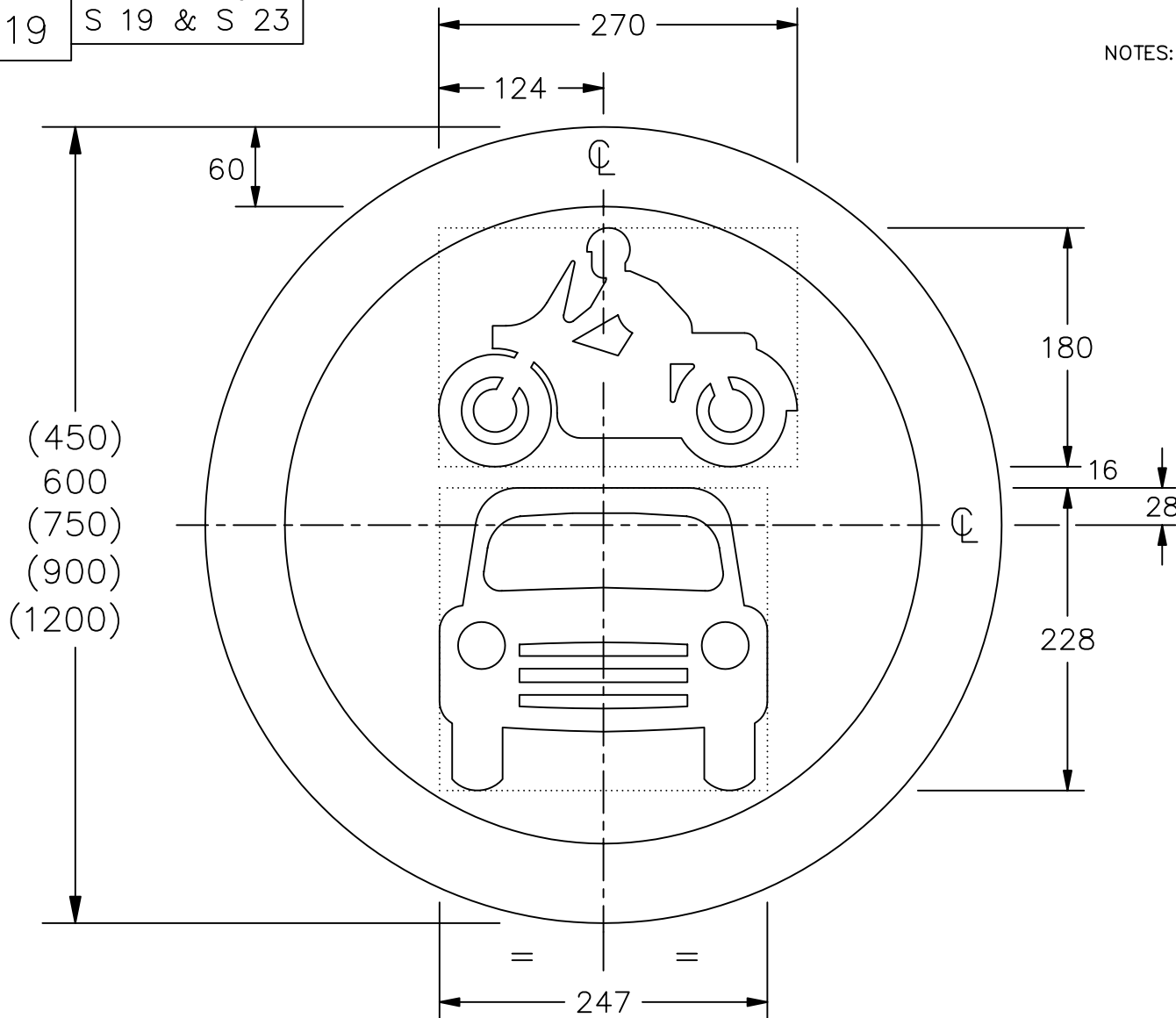


Drawing No.
P 619

Related Drawings
S 19 & S 23

© CROWN COPYRIGHT

- NOTES: 1. All 600mm dia sign dimensions shall be varied proportionally for the other roundel sizes.
2. Car and motor cycle symbol details are given on drawings S 19 & S 23 respectively.
3. The tile outlines do not form part of the sign.
4. COLOURS : Background --- WHITE
Border ----- RED
Symbols ----- BLACK



P619

Before using this drawing, confirm that it has not been superseded.

Department for
Transport

Title: Regulatory Sign
MOTOR VEHICLES PROHIBITED

Issue: Date: Drawn by:
A: 5.7.94 S.P.
B: 16.7.04 Approved by:
C: R.M.

Dimensions:
MILLIMETRES

Drawing No.
P 619