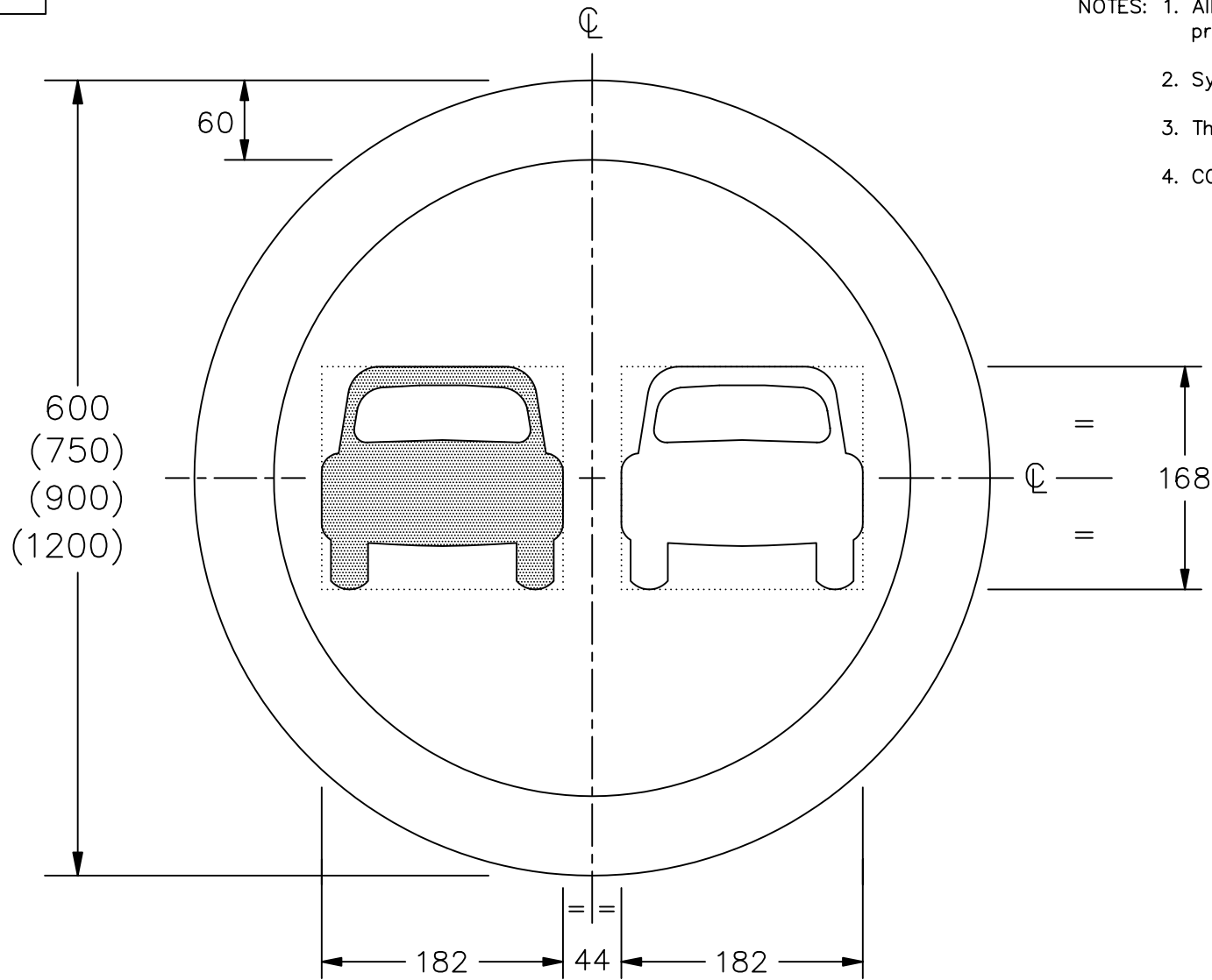


Drawing No.
P 632

Related Drawing
S 19

© CROWN COPYRIGHT

- NOTES: 1. All 600mm dia sign dimensions shall be varied proportionally for the other roundel sizes.
 2. Symbol details are given on drawing S 19.
 3. The tile outlines do not form part of the sign.
 4. COLOURS : Background ----- WHITE
 Left Hand Symbol ----- BLACK
 Right Hand Symbol ----- RED
 Border ----- RED



P632

Before using this drawing, confirm that it has not been superseded.

Department for
Transport

Title: Regulatory Sign
NO OVERTAKING

Issue: Date: Drawn by:
A: 20.7.94 S.P.
B: 28.7.04 Approved by:
C: R.M.

Dimensions:
MILLIMETRES

Drawing No.
P 632