

Drawing No.
P 960.2

Related Drawing
S 24

© CROWN COPYRIGHT

- NOTES:-
1. Details of the cycle symbol are on dwg. S 24.
 2. The outline of the tile does not form part of the sign.
 3. COLOURS:- Symbol, Border and Arrows ----- WHITE
Background ----- BLUE
 4. Dimensions are shown in stroke widths (one quarter of notional x-heights). The Table of Sign Sizes shows the actual sign sizes in millimetres.

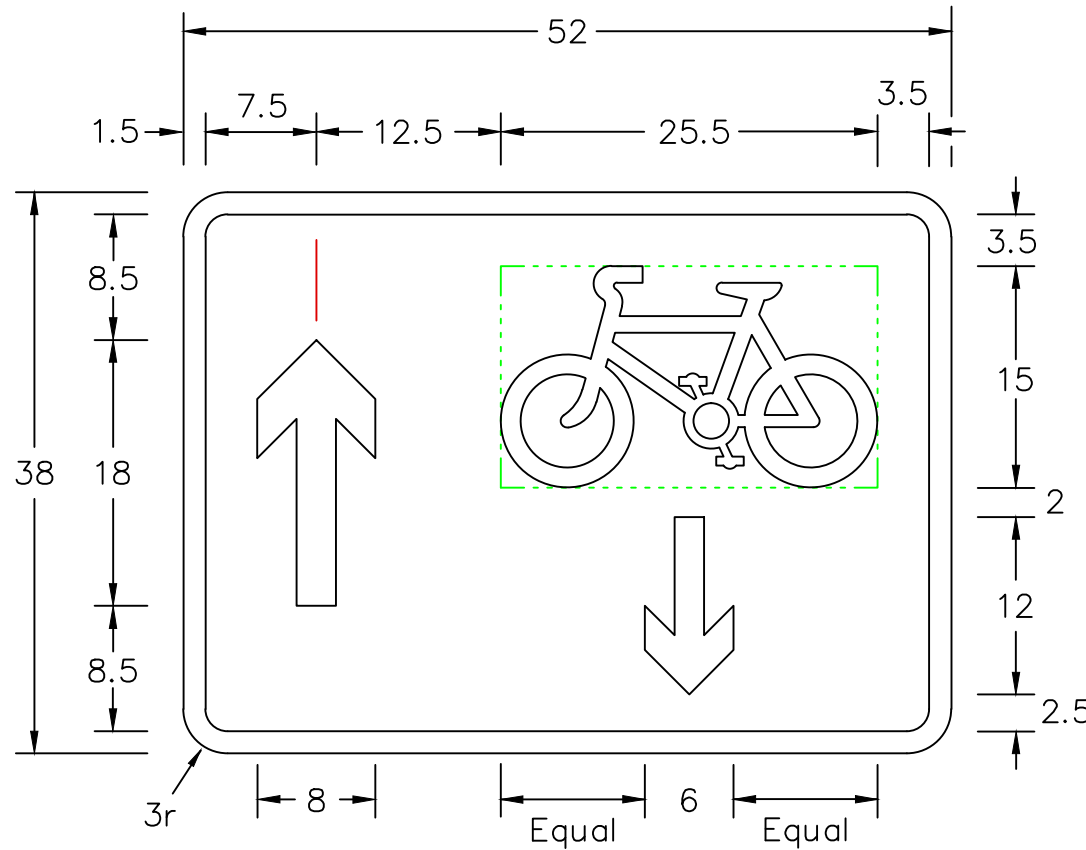


TABLE OF SIGN SIZES (mm)		
Stroke Widths	12.5	15
Width of Sign	650	780
Height of Sign	475	570

P960x2

Before using this drawing, confirm that it has not been superseded.

**Department for
Transport**

Title: Regulatory Sign
CONTRA-FLOW CYCLES

Issue: Date:
A: 11.11.11
B:
C:

Drawn by :
R.M.
Approved by:
R.M.

Dimensions :
SEE
NOTE 4

Drawing No.
P 960.2