

Drawing No.
P 1027.1
 Sheet 1 of 2

Before using this drawing, confirm that it has not been superseded.

© CROWN COPYRIGHT

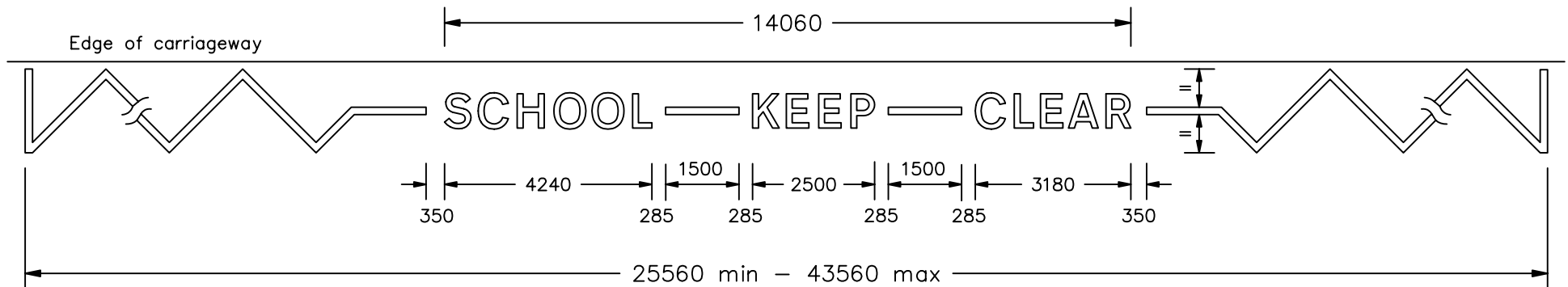
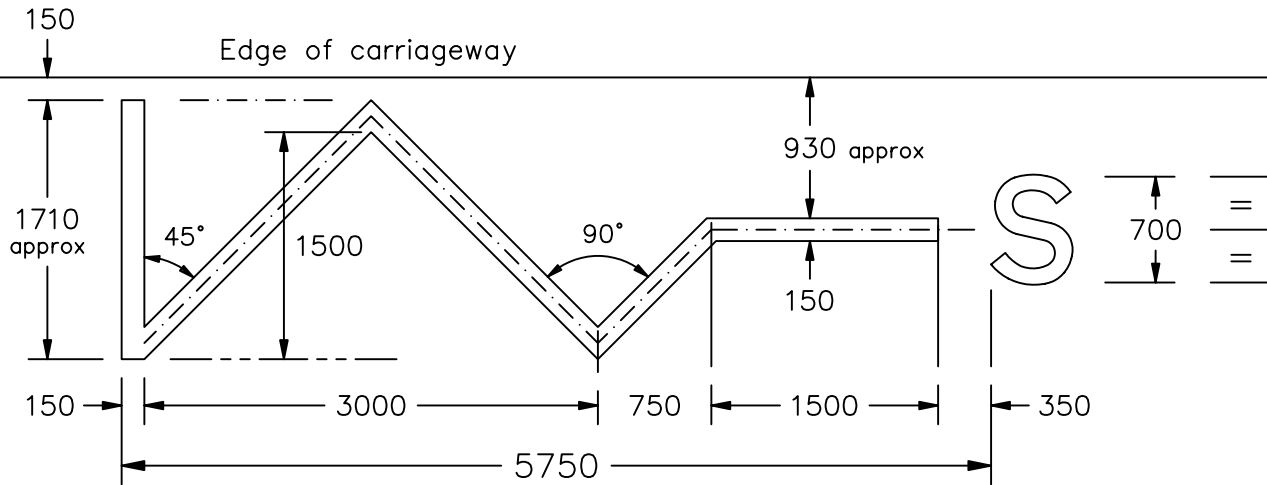
NOTES: 1. The letters are from Schedule 13 Part VI (c) to the Regulations at 500mm x-height (700mm upper case letter height).

2. COLOUR : Letters & Markings --- YELLOW

3. The overall length of the marking may be increased by increments of 6 metres by the inclusion of a complete zig-zag pattern placed on each side of the wording, to the maximum overall length.

4. Dimensions are given to the letters and not to the letter tiles.

5. See sheet 2 for variants.



P1027x1-1

Department for
Transport

Title: Road Marking
SCHOOL KEEP CLEAR

Issue: Date:
 A: 29.6.94
 B: 11.1.05
 C:

Drawn by: S.P.
 Approved by: R.M.

Dimensions:
 MILLIMETRES

Drawing No.
P 1027.1
 Sheet 1 of 2

Drawing No.
P 1027.1
 Sheet 2 of 2

Before using this drawing, confirm that it has not been superseded.

© CROWN COPYRIGHT

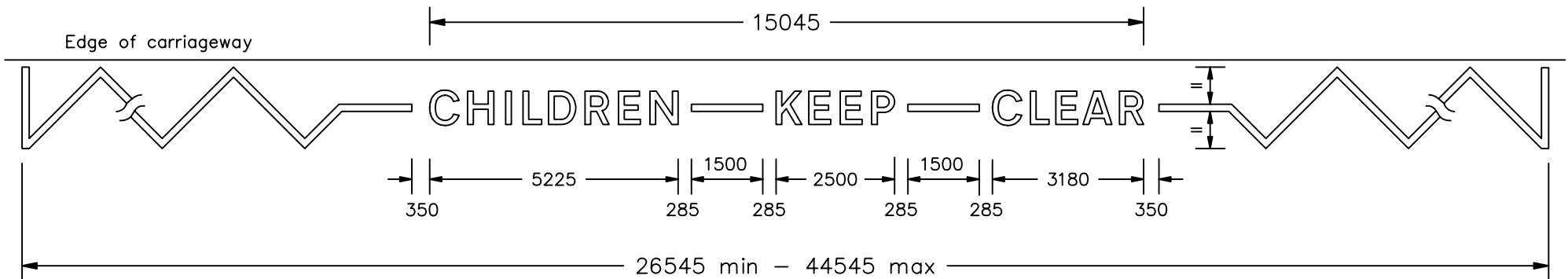
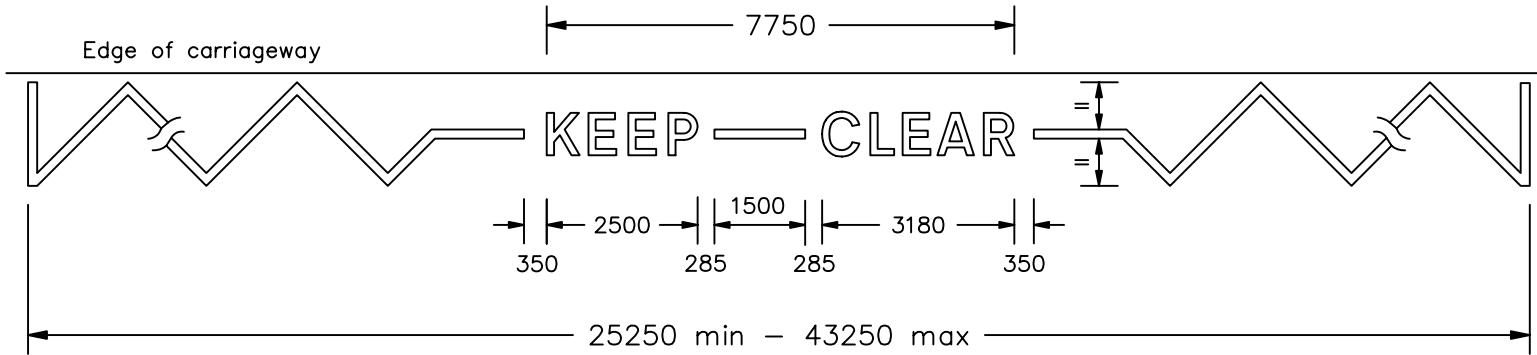
NOTES: 1. The letters are from Schedule 13 Part VI (c) to the Regulations at 500mm x-height (700mm upper case letter height).

2. COLOUR: -
 Letters & Markings --- YELLOW

3. The overall length of the marking may be increased by increments of 6 metres by the inclusion of a complete zig-zag pattern placed on each side of the wording, to the maximum overall length.

4. Dimensions are given to the letters and not to the letter tiles.

5. See sheet 1 for other dimensions.



P1027x1-2

**Department for
 Transport**

Title: Road Marking
KEEP CLEAR (variants)

Issue: A: 29.6.94
 B: 11.1.05
 C:

Drawn by: S.P./L.W.
 Approved by: R.M.

Dimensions: MILLIMETRES

Drawing No.
P 1027.1
 Sheet 2 of 2