

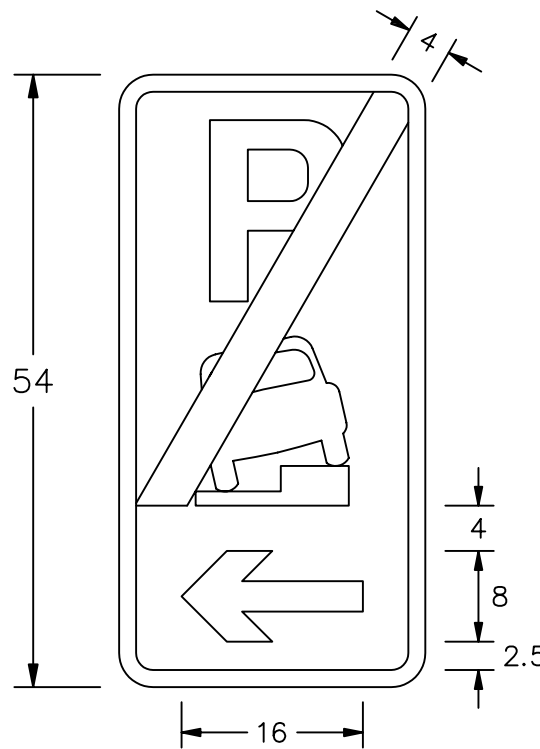
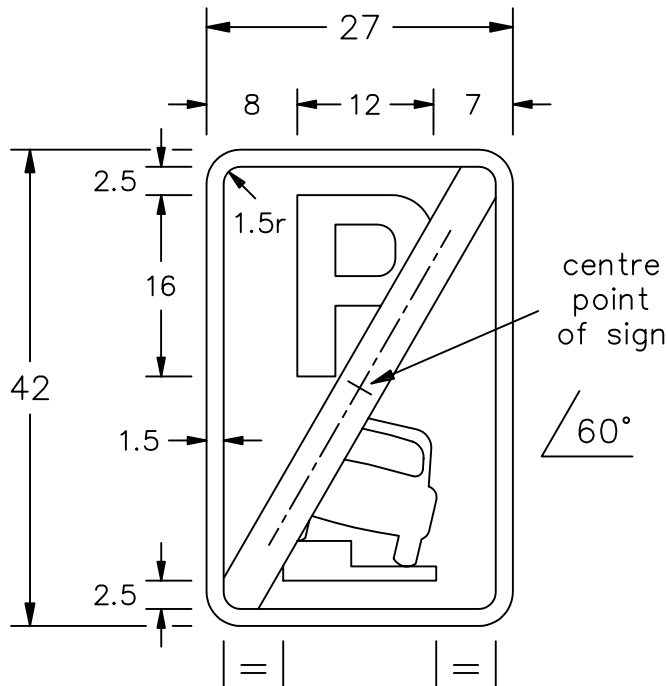
Drawing No.
P 667.2

Related Drawings
S 19 & S 43

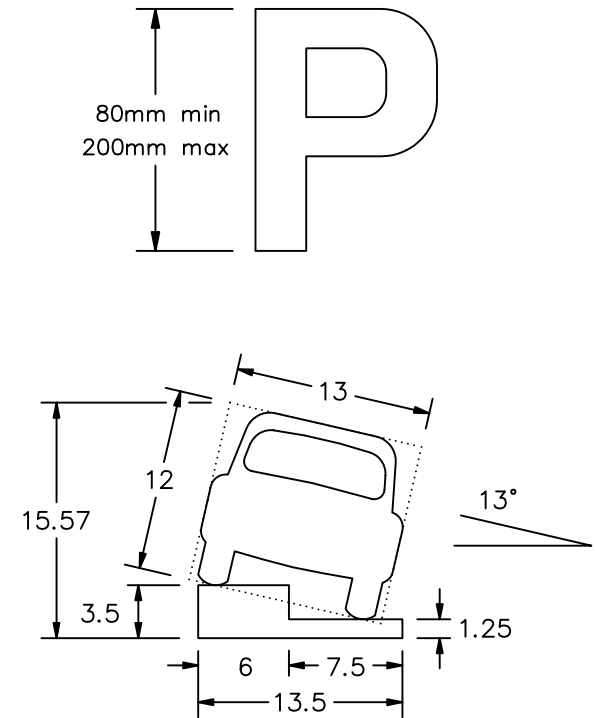
Before using this drawing, confirm that it has not been superseded.

© CROWN COPYRIGHT

- NOTES: 1. Car symbol details are given on drawing S 19 and 'P' symbol details on drawing S 43.
2. The tile outline does not form part of the signs.
3. COLOURS : Background ----- BLUE
Border, Arrow & Symbols ---- WHITE
Diagonal Bar ----- RED
4. All dimensions, unless shown otherwise, are in stroke widths based on a nominal x-height of 20mm min and 50mm max. (4sw = x-height)



VARIANT



P667x2

Department for
Transport

Title: Regulatory Signs
END OF PARKING PLACE
PARTIALLY ON VERGE OR FOOTWAY

Issue: Date: Drawn by:
A: 4.7.94 S.P.
B: 16.8.04 Approved by:
C: R.M.

Dimensions:
SEE
NOTE 4

Drawing No.
P 667.2